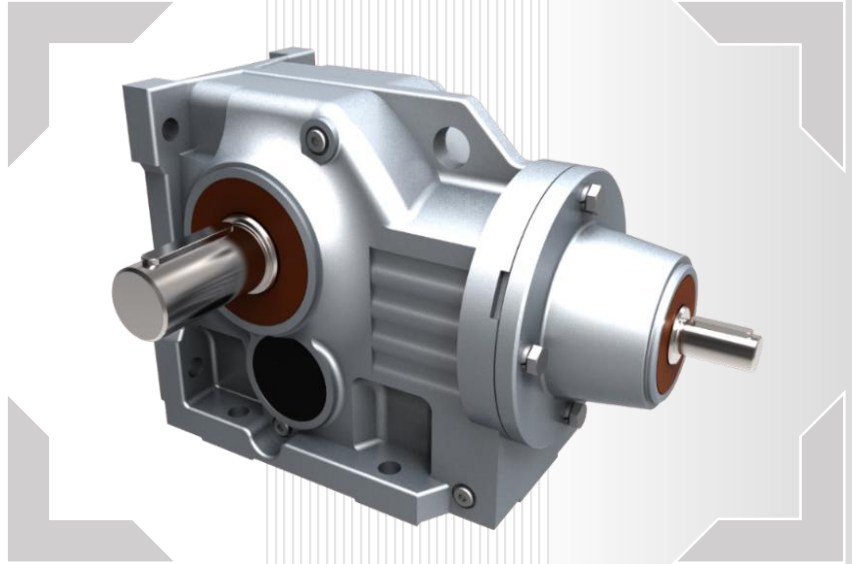




国茂股份
GUOMAO REDUCER



G 系列减速电机

G Series Geared Motor

产品样本 CATALOGUE NO.001

版本 VERSION V3.0-2020

产品总览

NO.001 G 系列减速电机



NO.002 摆线针轮减速机



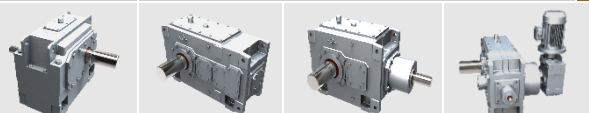
NO.003 ZY 系列圆柱齿轮减速机



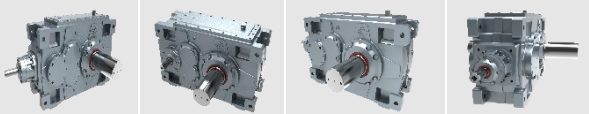
NO.003.B DBY/DCY 系列圆锥圆柱齿轮减速机



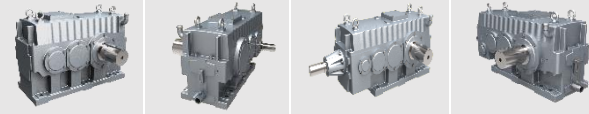
NO.004 PV 系列齿轮减速机



NO.004.B GPV 系列齿轮减速机



NO.005 GM 系列齿轮减速机



NO.005.B GMC 系列齿轮减速机



NO.006 橡塑专用减速机



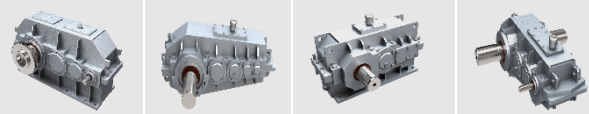
NO.007 GX 系列行星齿轮减速机



NO.010 磨机专用减速机



NO.012 起重专用减速机



目 录 Content

产品特性	FEATURES OF PRODUCTS	1
场所条件	SITE CONDITIONS	1
选型参数表释义	DESCRIPTION OF SELECTION TABLES	2
选型步骤	SELECTION STEPS	3
附加载荷	ADDITIONAL LOADS	9
GRM...选型	SELECTION PROCEDURE OF GRM... ..	11
GR 系列	TYPE OF GR SERIES	
结构形式说明	DIMENSIONAL DESCRIPTION	R1
型号表示方法	TYPE EXPRESSION OF GR SERIES	R2
安装形式图例	MOUNTING ARRANGEMENTS DESCRIPTION	R3
选型参数表	SELECTION TABLE	R4
安装结构尺寸	MOUNTING DIMENSIONAL DESCRIPTION	R43
GS 系列	TYPE OF GS SERIES	
结构形式说明	DIMENSIONAL DESCRIPTION	S1
型号表示方法	TYPE EXPRESSION OF GS SERIES	S2
安装形式图例	MOUNTING ARRANGEMENTS DESCRIPTION	S3
选型参数表	SELECTION TABLE	S4
安装结构尺寸	MOUNTING DIMENSIONAL DESCRIPTION	S19
GK 系列	TYPE OF GK SERIES	
结构形式说明	DIMENSIONAL DESCRIPTION	K1
型号表示方法	TYPE EXPRESSION OF GK SERIES	K2
安装形式图例	MOUNTING ARRANGEMENTS DESCRIPTION	K3
选型参数表	SELECTION TABLE	K4
安装结构尺寸	MOUNTING DIMENSIONAL DESCRIPTION	K32
GF 系列	TYPE OF GF SERIES	F1
结构形式说明	DIMENSIONAL DESCRIPTION	F1
型号表示方法	TYPE EXPRESSION OF GF SERIES	F2
安装形式图例	MOUNTING ARRANGEMENTS DESCRIPTION	F3
选型参数表	SELECTION TABLE	F4
安装结构尺寸	MOUNTING DIMENSIONAL DESCRIPTION	F27
叶轮给煤机减速机	IMPELLER COAL FEEDER REDUCER	G1
附录 A-1	APPENDIX A-1	A1
附录 A-2	APPENDIX A-2	A5
附录 A-3	APPENDIX A-3	A6
附录 A-4	APPENDIX A-4	A7
附录 B	APPENDIX B	A8
附录 C	APPENDIX C	A8
附录 D	APPENDIX D	A9

产品特性

- 1、高度模块化设计：**可以方便地配用各种型式的电动机或采用其它动力输入。同种机型可配用多种功率的电动机。容易实现各机型间组合联接。
- 2、传动比：**划分细，范围广。组合机型可以形成很大的传动比，即输出极低的转速。
- 3、安装形式：**安装位置不受限制。
- 4、强度高、体积小：**箱体采用高强度铸铁。齿轮及齿轮轴采用气体渗碳淬火精磨工艺，因而单位体积承载能力高。
- 5、使用寿命长：**在正确选型（包括选用适当的使用系数）和正常使用维护的条件下，减速机（除易损件外）的主要零部件寿命一般不低于 25000 小时。易损件包括润滑油、油封以及轴承。
- 6、噪声低：**减速机主要零部件都经过精密加工，并通过精心组装和测试，因而减速机噪声较低。
- 7、效率高：**单机型齿轮效率不低于 95%，蜗轮蜗杆效率能达到 89%。
- 8、可承受较大的径向载荷。**

场所条件

本减速电机适合在环境温度 -10℃ 到 +40℃ 条件下运行，海拔高度可达 1000 米。

可用于正反转。

无行业限制。

在其它条件下使用时请与技术部联系。

Features of Products

- 1、Highly Standard Modular Designed:** The products are connected with and driven by different types of motors or other kinds of input power. The same type geared motor can be adapted to optioned powers of motors. It is therefore easy to realize different solutions for varied requirements.
- 2、Ratio:** Featured many closely divided ratios and wide ranges of them. Very big final ratios can be obtained through combined unites to reach extremely low output speeds.
- 3、Mounting Arrangement:** No strict limitation to the mounting arrangement.
- 4、High Strength, Compact Dimension:** Housings are made of high strength cast iron. Gears and shaft gears are finished with gas carburising process and precise grinding to sequentially get high loading capacity of per certain volume.
- 5、Long Service Life:** Under the conditions of accurately selecting type size and the normal maintenance and use, main components (except those easily-disabled parts) can last as long as up to more than 25,000 hours. Easily-disabled parts include lubricating oil, oil seals, and bearings.
- 6、Low Noise:** All key components are finished by precisely machining, accurate assembly, and finally tested, and therefore, fairly low noise is reached.
- 7、Highly Efficiency:** The efficiency of gear unit is more than 95%, The efficiency of worm gear unit can reach 89%.
- 8、Large Radial Loading Ability.**

Site Conditions

The geared motors are suitable for the operation sites in the ambient temperatures from -10℃ to 40℃ and altitudes up to 1000m above sea level.

They can be used both for clockwise running and anticlockwise running.

There is no limitation to specific application field.

While applied in other aggressive operating atmosphere or environment conditions, please contact our technology department.

选型参数表释义

1、选型参数表 (恒功率):

电机功率 P [kW]: 表中列出的功率是按 GB/T 4772.1 旋转电机输出功率等级。

输出转速 n_a [r/min]: 即输出轴的转速。参考电机满载时的转速和减速机的传动比计算得出, 单位为转/分钟。

输出转矩 M_a [N.m]: 电机满载时, 减速机输出轴上可以产生的转矩。此输出转矩已考虑了减速机内部各种效率。

传动比 i : 减速机从输入到输出间总的实际 (精确) 传动比。

许用径向载荷 F_{Ra} [kN]: 标准实心输出轴轴头长度中点处, 或标准空心轴端部的许用径向载荷。

使用系数 f_B : 减速机额定功率与所配用的电机额定功率的比值。它是选择减速机规格的重要参数。

机型号: 即减速机的机型和规格号。有单机型和组合型两种。组合一般为恒功率条件下的组合。每种机型 (包括某些未列入此表中的同规格变型品种) 都可配备当前栏中所有传动比。其尺寸可查阅对应的安装结构尺寸图表。

电机极数: GB/T 4772.1 旋转电机极数。

2、选型参数表 (恒转矩):

恒转矩条件下较为合理的组合。按表中最大输出转矩计算时, 许用使用系数为 1。其它含义同恒功率。

Description of Selection Tables

1、 Selection Table (Constant Power):

Motor Power P [kW]: Power is indicated on the basis of GB/T 4772.1 motor.

Output Speed n_a [r/min]: Output speed is calculated on the basis of motor's fully loading speed and geared motor's ratio. Unit: revolutions per minute.

Output Torque M_a [N.m]: Torque available at output shaft while motor being fully loaded. All internal efficiency factors have already considered.

Ratio i : Exact final total transmission ratio input to output.

Permissible Radial Load F_{Ra} [kN]: Allowable radial load at the midpoint of the shaft head length of a standard solid output shaft, or at the end of a standard hollow shaft.

Service Factor f_B : The ratio of rated power of gear unit to rated power of motor power. It is an important parameter to select the reducer model.

Type Size of Unit: Including type and size. Individual unit and combined units are available. Combination is considered commonly under the constant power condition. Each type (and even some other types not mentioned in the tables) can be assembled or combined to any ratio mentioned in the tables.

For the detailed construction dimension, see the relevant dimensional tables.

Pole Number of Motor: The pole number of GB/T 4772.1 motor.

2、 Selection Table(Constant Torque):

Constant torque selection table is suitable for the conditions where the constant torque system is applied appropriately.

If the Max. torque listed in this table is used when calculating, service factor is 1.0 . The meanings of other terms are similar to ones described in Selection Table(Constant Power).

选型步骤

1. 机型的选择

G 系列减速电机由四种不同结构型式及其多种派生型组成。GR、GF 系列及其派生型，用于输入轴与输出轴平行的场合；GS、GK 系列及其派生型，用于输入轴与输出轴垂直的场合。

选型时一般先根据安装要求选择合适的机型系列。如，要求输入轴与输出轴垂直，可选择 GK 或 GS 系列。

2. 总工况系数 f_A 的确定

总工况系数：

$$f_A = f_{Ah} \times f_{Ac} \times f_{At} \times f_{An}$$

总工况系数由工作机的多项因素构成，可根据工作机情况进行取舍或增加项目。

1)、 f_{Ah}

f_{Ah} 由工作机载荷特性和工作时间两个因素决定的工况系数，是最基本、最主要的系数。常用工作机的 f_{Ah} 可参考后述“工况系数 f_{Ah} ”表选定。其它工作机的工况系数，可用类比法确定。

2)、 f_{Ac}

f_{Ac} 由启、停次数决定。可参考后述“工况系数 f_{Ac} ”表确定。注意启、停要各计一次。

3)、 f_{At}

f_{At} 由工作环境温度决定的系数。可参考后述“工况系数 f_{At} ”表确定。

4)、 f_{An}

f_{An} 由转速决定的系数，同时考虑了热功率问题。通常情况下，本系列减速电机不配置循环润滑及冷却装置。若减速电机输出转速较高，特别是立式安装时 (M2/M4)，或对减速电机温升有严格要求时，为避免热功率的问题，需增加转速工况系数 f_{An} 。可参考后述“工况系数 f_{An} ”表确定。

各项数值不能确定时，请与公司技术部联系。

Selection Steps

1、Type Selection

G series geared motor is composed of four different structural types and various derived types. GR, GF series and their derivations, used in situations where the input shaft is parallel to the output shaft; GS, GK series and their derivations, used for input shaft and output shaft vertical situations.

During the selection process, the appropriate model series is generally selected according to the installation requirements. For example, if the input shaft is perpendicular to the output shaft, you can choose GK or GS series.

2、Selection of Total Service Factor f_A

Total Service Factor:

$$f_A = f_{Ah} \times f_{Ac} \times f_{At} \times f_{An}$$

The total service factor is composed of several factors of the working unit, can choose or add projects according to the working conditions.

1)、 f_{Ah}

f_{Ah} is determined by two factors of working unit load feature and working time, it is the most basic and important factor. f_{Ah} of frequently-used work unit can see the 'service factor f_{Ah} ' below to select.

2)、 f_{Ac}

f_{Ac} -the factor determined by number of starts and stop per hour of working unit. You can see the 'service factor f_{Ah} ' below. Attention: the number should be counted even start or stop.

3)、 f_{At}

f_{At} is a factor determined by the temperature of the working environment. Refer to the "service factor f_{Ah} " table below for determination

4)、 f_{An}

f_{An} is a factor determined by the rotation speed, and the thermal power problem is taken into account. In general, this series of geared motors are not equipped with circulating lubrication and cooling devices. If the output speed of the geared motor is relatively high, especially under vertical installation (M2/M4), or when the temperature rise of the geared motor is strictly required, in order to avoid the problem of thermal power, the speed service factor f_{An} should be increased. Refer to the "service factor f_{An} " table below for determination.

When you can't select the value of service factor, please contact with us.

3. 型号 (规格) 的确定

须满足条件 $f_B \geq f_A$ (或 $f_B \geq f_{Ah} \times f_{Ac} \times f_{At} \times f_{An}$)

1)、恒功率选型

(1)电机与减速机直联或通过联轴器联接

a、在选型参数表(恒功率)中找到相应的电机功率、极数。

b、在此功率和极数下,初步选用一个具有相近传动比的机型,并记录下其使用系数 f_B 。

c、比较,若满足条件 $f_B \geq f_A$,则是可用机型。否则,加大机型,直到满足条件。

(2)电机与减速器之间具有前置减速联接

若电机与减速机之间通过齿轮、皮带、链轮等减速装置联接,由于输入转矩的增加,须把电机功率折算到减速机输入轴上,即把电机的功率乘以前置减速装置的传动比。用折算的功率(当量功率),按前述章节(1)中的方法选取。此时,电机极数不变。

注意,采用当量功率仅是为了选型方便,并无其它物理含义。

2)、恒转矩选型

按电机功率、极数和传动比查选型参数表(恒转矩)。此时,工作转矩须限制在所选减速机的最大输出转矩范围内。

4、径向载荷检验

须满足条件: $F_{Ra} \geq f_A \times F_r$; (N)

其中:

F_{Ra} —标准实心输出轴轴头长度中点处,或标准空心轴端部的许用径向载荷。

若载荷作用点不在规定处,其许用径向载荷,须按后述章节“偏离输出轴轴伸中心点的径向载荷校核”进行修订和校核。

f_A —工作机总工况系数。按前述章节计算得出。

F_r —减速电机输出轴上工作元件产生的径向载荷。

轴上工作元件为联轴器,且严格按联轴器对标准安装,确认无径向载荷时,可取 $F_r=0$;轴上工作元件为

3.Selection of Type (Size)

It is essential to meet following: $f_B \geq f_A$ (or $f_B \geq f_{Ah} \times f_{Ac} \times f_{At} \times f_{An}$)

1)、For constant power

(1)The motor is mounted directly into gear unit or with coupling

a、Reach to a relevant power and pole number of motor from selection table (constant power)

b、Select rudely a size with close radio, and recode it's f_B .

c、Compare, if meet this formula: $f_B \geq f_A$, then this size of gear unit is available. Otherwise select a bigger size of gear unit until meet it.

(2)、The gear unit with perfixion deceleration unit

When connecting the motor and gear unit using gears, belts, or chains, etc. Because the torque of input has been increased, so it is essential to convert motor power into input power of gear unit, the input power is to multiply motor power by radio. Select the size according to the power converted from the selection table. This moment, the number of motor pole is same.

Attention, the equivalent power is used only for selection convenience and has no other physical meaning.

2)、For constant torque

Select the size of gear unit according to the power and pole of motor and radio from selection table (constant torque). It is essential to restrict the working torque under maximal output torque of gear unit selected.

4、Radial Load Checking

It is essential to meet following: $F_{Ra} \geq f_A \times F_r$; (N)

Where:

F_{Ra} —Allowable radial load at the midpoint of the shaft head length of a standard solid output shaft, or at the end of a standard hollow shaft.

If the loading point is not specified, it allowable radial load shall be revised and checked according to the following chapter "Radial load check deviating from the center point of output shaft extension".

f_A —total service factor of work units. Calculated according to the preceding section.

F_r —radial load generated by working elements on output shaft of geared motor.

The working element on the shaft is the coupling, and it is installed strictly in accordance with the coupling standard. When no radial load is confirmed,

齿轮，链轮，皮带轮时，Fr 值由下式求出：

$$Fr=2*Mr*fr/ d \quad (N)$$

其中：Mr—工作元件的工作转矩 (N.m)

d—工作元件节圆直径 (m)

fr—径向载荷系数。可参考如下取值。

单排链轮 fr=1;

一个齿轮或双排链轮 fr=1.25;

V 型带 fr=1.5; 平型带 fr=2.5

对于 GK 和 GS 系列减速机，M1 安装时，侧面与安装固定面连接时，许用径向载荷只有选型表中 F_{Ra} 数值的 50%。

对于 GK169 和 GK189 减速电机在安装位置 M1-M4 时，若安装面与其安装形式图例有所区别，许用径向载荷只有选型表中 F_{Ra} 数值的 50%。

5、安装条件检验

有安装尺寸条件限制时应作此检验。即把所选电机型号的结构尺寸和可利用的空间尺寸作比较。

若以上都能满足，则按机型号表示方法书写即可。有特殊要求时，可加文字说明。

普通供货约定：

- 1、无特别说明时电机供货按 IP55 防护等级，F 级绝缘。
- 2、不注明电机接线盒位置时，通常按安装形式图例中的 0°位置供货。
- 3、不特别提出输出轴与输入轴旋向关系时，不在减速机上做出标识。
- 4、减速机出厂已加好润滑油。
- 5、安装结构尺寸图表中已注明不在标准供货范围内的附件不提供。

本样本中如有改进之处，不另作通知，请谅解。

Fr=0 is desirable; When the working elements on the shaft are gears, sprockets and belt wheels, the Fr value can be calculated from the following formula:

$$Fr=2*Mr*fr/ d \quad (N)$$

Where, Mr-working torque of the working unit(N.m)
d-pitch circle radius of the working unit(m)

fr-radial load factor, which can be got refer to the following:

fr=1,for single chain sprocket wheel

fr=1.25,for single gear or for double chain sprocket wheel

fr=1.5,for V-section belt ; fr=2.5,for falt belt

Only 50% of the F_{Ra} value specified in the selection table is permitted in mounting position M1 with wall attachment on the side face for GK and GS gear units.

Helical-bevel geared motors GK169 and GK189 in mounting positiongs M1 to M4: If the mounting position is different form the position we offered (M1-M4) , The overhung load F_{Ra} lasted in the selection tables.

5、Mounting Dimension Checking

Check the mounting dimension when there is a limitation tosite mounting condition.

If the selected type by the above method is appropriate to site mounting condition, this final type is standard and should be written in formal type description.

If any special requirement is requested, please describe it while placing order.

Normal Delivery Condition:

- 1、Motor: motor of protection class IP55 and of insulation class F, while no special request.
- 2、Terminal box: Terminal box is at 0° position if no special request(see description of motor terminal box position)
- 3、Rotation direction: There will be no mark of rotation direction for input shaft or output shaft, if the relationship between input shaft and output shaft is not requested.
- 4、Lubricants: Units are supplied with lubricant oil before delivery.
- 5、Accessories: Generally, accessories excluded in mounting dimension table do not belong to our standard supply.

Design and specifications are subject to change without notice, Please forgive.

工况系数 f_{Ah}

应用	8h/天	16h/天	24h/天
食品工业			
粉碎机	1.75	2	2.25
甜菜切片机 揉面机	1.25	1.5	1.75
碾肉机	1.25	1.5	1.5
填充机	0.8~1*	1	1.25
和面机	1	1.25	1.5
挤压机	1.25	1.5	1.75
甘蔗切碎机	1.75	1.75	1.75
榨糖机	1.75	1.75	1.75
烤面包机	1.25	1.25	1.25
辅助动力、伺服系统			
微动装置, 无载荷	0.8~1*	*	*
普通载荷	1.25	1.25	1.25
压缩机			
离心式	1	1.25	1.5
轴流式	1	1.25	1.5
过滤器	1	1.25	1.5
建筑业			
水泥搅拌机	1.25	1.5	1.75
水泥厂	1.5	1.75	2
灰泥喷射机	0.8~1*	1	1.25
发电机	0.8~1*	1	1.25
水处理、环保			
曝气机	1.75	2	2
普通通风装置	1.5	1.5	1.5
旋转木马式通风装置	1.75	1.75	1.75
条栅式筛子 搜集器	0.8~1*	1	1.25
螺旋泵	1	1.25	1.5
筛子			
旋转式 (石头, 砂)	1	1.25	1.5
行进式吸水机	0.8~1*	1	1.25
农用机械			
施肥平土机	0.8~1*	1	*
收割机	0.8~1*	1	*
起重机械			
行进运动	1.5	1.75	2
回转机构	1.25	1.5	2
起升机构	1.25	1.5	1.75
转臂式起重机	1.25	1.5	1.75
混合机			
均匀密度	1.25	1.5	1.5
不均匀密度	1.5	1.75	1.75

Service Factor f_{Ah}

Application	8h/d	16h/d	24h/d
Food industry			
Crushers	1.75	2	2.25
Beet slicers, kneaders	1.25	1.5	1.75
Meat grinders	1.25	1.5	1.5
Filling machine	0.8~1*	1	1.25
Dough mixers	1	1.25	1.5
Extruders	1.25	1.5	1.75
Sugar cane knives	1.75	1.75	1.75
Sugar roller mills	1.75	1.75	1.75
Toaster	1.25	1.25	1.25
Auxiliary drives, servicing			
Inching, no load	0.8~1*	*	*
Normal duty	1.25	1.25	1.25
Compressors			
Centrifugal	1	1.25	1.5
Lobe	1	1.25	1.5
Filters	1	1.25	1.5
Construction industry			
Cement mixer	1.25	1.5	1.75
Cement mills	1.5	1.75	2
Mortar spraying machine	0.8~1*	1	1.25
Generators	0.8~1*	1	1.25
Water treatment, environment tools			
Aerators	1.75	2	2
Common aerators	1.5	1.5	1.5
Carrousel aerators	1.75	1.75	1.75
Bar screens, collectors	0.8~1*	1	1.25
Screw pumps	1	1.25	1.5
Screens			
Rotary (for stone, for gravel)	1	1.25	1.5
Traveling water intake	0.8~1*	1	1.25
Agricultural machinery			
Manure scrapers	0.8~1*	1	*
Harvesting machines	0.8~1*	1	*
Cranes and hoists			
Travel motion	1.5	1.75	2
Slewing gears	1.25	1.5	2
Hoisting gears	1.25	1.5	1.75
Derricking jib cranes	1.25	1.5	1.75
Mixer			
Constant density	1.25	1.5	1.5
Variable density	1.5	1.75	1.75

工况系数 f_{Ah}

木材和塑料工业			
电锯的主动力	1.5	1.75	2
电锯的进给动力	1	1.25	1.5
砍木机	1.5	1.75	2
胶合板胶合机	0.8~1*	1	1.25
钻孔机	0.8~1*	1	1.25
挤压机	1.25	1.5	1.75
搅拌机			
纯液体 (均匀密度)	1.5	1.75	1.75
非均匀密度的液体	1.75	2	2.3
液体和固体	1.75	2	2.3
磨机			
球磨机, 棒磨机	1.75	1.75	1.75
锤磨机, 粉碎机	1.5	1.75	2
印刷和制纸技术			
切割机	1	1.25	1.5
卷筒	0.8~1*	1	1.25
打包进料机	1	1.25	1.25
电梯			
提升机	1.25	1.5	1.75
货运电梯	1.25	1.5	1.75
自动扶梯	1.25	1.25	1.5
纺织工业			
织机	1.25	1.5	1.75
纺纱机	0.8~1*	1	1.25
洗涤机	1	1.25	1.5
输送机			
斗式输送机	1.5	1.75	1.75
平衡加荷或喂料	0.8~1*	1	1.25
重载链和螺旋输送	1.25	1.5	1.5
振动输送机	1.5	1.75	2
卷扬机	1.5	1.75	1.75
皮带输送机	1.25	1.5	1.5
绞车	1.5	1.75	1.75
刮板式输送机			
刮板式输送机	1.25	1.25	1.5
风扇			
离心式风扇	0.8~1*	1	1.25
工业风扇	1	1.25	1.5
冷却塔动力	1.75	1.75	1.75
冷却塔风扇	1.75	2	2

Service Factor f_{Ah}

Lumber and plastic industry			
Main drive for saws	1.5	1.75	2
Feed drives for saws	1	1.25	1.5
Chopping machines	1.5	1.75	2
Veneer gluing machine	0.8~1*	1	1.25
Drilling machine	0.8~1*	1	1.25
Extruders	1.25	1.5	1.75
Agitators			
Pure liquids (constant density)	1.5	1.75	1.75
Liquids with variable density	1.75	2	2.3
Liquids and solids	1.75	2	2.3
Mills			
Ball, rod	1.75	1.75	1.75
Hammer, disintegrator	1.5	1.75	2
Printing and paper techniques			
Cutters	1	1.25	1.5
Reels	0.8~1*	1	1.25
Bale feeders	1	1.25	1.25
Elevators			
Bucket elevators	1.25	1.5	1.75
Freight elevators	1.25	1.5	1.75
Escalators	1.25	1.25	1.5
Textile industry			
Looms	1.25	1.5	1.75
Spinners	0.8~1*	1	1.25
Washers	1	1.25	1.5
Conveyors			
Bucket conveyors	1.5	1.75	1.75
Uniformly loaded or fed	0.8~1*	1	1.25
Heavy duty, chain and screw conveyors	1.25	1.5	1.5
Shaker conveyors	1.5	1.75	2
Hoists	1.5	1.75	1.75
Belt conveyors	1.25	1.5	1.5
Hauling winches	1.5	1.75	1.75
Apron conveyors			
Apron conveyors	1.25	1.25	1.5
Fans			
Centrifugal	0.8~1*	1	1.25
Industrial fans	1	1.25	1.5
Cooling tower drives	1.75	1.75	1.75
Cooling tower fans	1.75	2	2

工况系数 f_{Ah}

包装机械			
纸板堆叠机械	1.25	1.5	1.75
打包机	0.8~1*	1	1.25
机床设备			
平面刨床, 龙门刨床	1.25	1.5	1.75
弯轧机			
主动力, 进给动力	1	1.25	1.5
进给和辅助动力	0.8~1*	1	1.25
压力机	1.75	2	2
折弯机	1.5	1.75	2
剪板机	1.75	2	2
钢铁工业			
拉线机	1.25	1.5	1.75
绕线机	1.25	1.75	1.75
轧辊辊道: 无回转			
—组合动力	1.25	1.5	1.75
—独立动力	1.5	1.75	2
泵			
离心式	1	1.25	1.5
旋转式, 齿轮型, 叶轮型, 叶片型	0.8~1*	1	1.25
活塞泵: 单缸	1.5	1.75	2
多缸	1.25	1.5	1.75
螺旋泵	1	1.25	1.5

工况系数 f_{Ac}

启动次数/每小时	
< 10	1
< 100	1.15
< 500	1.25

工况系数 f_{At}

环境温度	+20°C...	+20°C... +30°C	+30°C... +40°C	+40°C... +50°C	+50°C... +60°C
	f_{At}	1	1.1	1.25	1.5

工况系数 f_{An}

输出转速	≤2	2~10	10~ 50	50~ 100	100~ 150	150~ 200	> 200
	f_{An}	0.9	0.95	1.0	1.01	1.2	1.3

*=0.8 假如运行时间少于 3 小时/天, 并且无径向载荷作用。

这些工况系数是基于 AGMA 和 ISO 的推荐以及我们的经验所得。

特别适用于电动机作为主要动力的场合。对于特殊应用设计, 例如大的惯性系数, 请与我公司技术部联系。

Service Factor f_{Ah}

Packing machine			
Cardboard stacking machine	1.25	1.5	1.75
Wrapping machine	0.8~1*	1	1.25
Machine tools			
Plate surfacers, plate planers, bending rolls	1.25	1.5	1.75
Main drives, feed drives	1	1.25	1.5
Feed and auxiliary drives	0.8~1*	1	1.25
Presses	1.75	2	2
Folding machines	1.5	1.75	2
Plate shears	1.75	2	2
Iron and steel industry			
Wire drew benches	1.25	1.5	1.75
Winding machine	1.25	1.75	1.75
Rolling mill: non reversing			
—group drives	1.25	1.5	1.75
—individual drives	1.5	1.75	2
Pumps			
Centrifugal	1	1.25	1.5
Rotary, gear type, lobe, vane	0.8~1*	1	1.25
Piston pumps: single cylinder	1.5	1.75	2
multi-cylinder	1.25	1.5	1.75
Screw pumps	1	1.25	1.5

Service Factor f_{Ac}

Number of stars and stop/hour	
< 10	1
< 100	1.15
< 500	1.25

Service Factor f_{At}

Ambient temperature	+20°C...	+20°C... +30°C	+30°C... +40°C	+40°C... +50°C	+50°C... +60°C
	f_{At}	1	1.1	1.25	1.5

Service Factor f_{An}

Output speed	≤2	2~10	10~ 50	50~ 100	100~ 150	150~ 200	> 200
	f_{An}	0.9	0.95	1.0	1.01	1.2	1.3

*=0.8, if hours of operation < 3 hours/24 and no radial overhung load is applied.

These service factors are recommended on the basis of AGMA and ISO specifications and our experiences. They apply for electric motors as prime movers preferably. For specially designed applications, e.g. large inertia factor, please contact our technology department.

附加载荷

轴向载荷

如果没有径向载荷, 那么轴向载荷 F_A (+表示拉力, -表示压紧力) 依据表中径向负荷的 5% 给定是允许的。

过大的轴向载荷或轴向及径向的合成力, 请咨询技术部。

输入轴载荷

输入轴的轴向载荷和径向载荷应用, 请咨询技术部

偏离输出轴轴伸中心点的径向载荷校核

对于受力点不在输出轴轴伸中点处的许用径向载荷根据下列公式计算。

F_{XL} 和 F_{XW} 中的较小值, 就是在 X 位置的许用径向载荷。

根据轴承寿命计算 F_{XL} (单位 N)

$$F_{XL} = F_{Ra} \times a / (b + X)$$

根据输出轴强度计算 F_{XW} (单位 N)

$$F_{XW} = c / (f + X)$$

F_{Ra} -- 底脚安装的减速机输出轴轴伸中点处的许用径向载荷, 单位[N]

X-- 从轴肩到受力点的距离, 单位[mm]

a, b, f-- 对径向载荷转化的减速机常数, 单位[mm]

c-- 对径向载荷转化的减速机常数, 单位[N·mm]

Additional loads

Axial Loads

If there is no overhung long, then an axial load F_A (tension or compression) amount to 5% of the overhung load given in the selection tables is approved.

if significantly greater axial loads or combinations of overhung load and axial load. Please contact our technology department .

Input Shaft Loads

Please contact technical department for axial and radial loads on input shaft

Overhung Load Conversion for Off-center Force Application

The approved overhung loads given in the selection tables must be calculated by using the following formulae in the event of force application not in the center of the shaft end.

The smaller of the two values F_{XL} and F_{XW} is the approved value for the overhung load at point X .

F_{XL} acc.to bearing service life

$$F_{XL} = F_{Ra} \times a / (b + X)$$

F_{XW} from the shaft strength

$$F_{XW} = c / (f + X)$$

F_{Ra} -- Approved overhung load ($X=L/2$) for foot-mounted gear units according to the selection tables in [N]

X-- Distance from the shaft shoulder to the force application point in [mm]

a, b, f-- Gear unit constants for overhung load conversion [mm]

c-- Gear unit constants for overhung load conversion [N·mm]

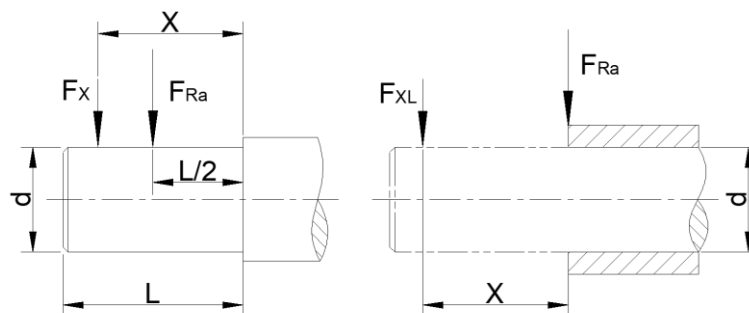


图: 偏离中心点的径向力 F_x

Fig: Overhung load F_x for off-center force application

对径向载荷转化的减速机常数

Gear unit constants for overhung load conversion

机型号 Type size	减速机常数 Reducer constant					
	a(mm)	b(mm)	c(N.mm)	f(mm)	d(mm)	l(mm)
GR19	88.5	68.5	6.527x10 ⁴	17	20	40
GR29	106.5	81.5	1.56 x10 ⁵	11.8	25	50
GR39	118	93	1.24 x10 ⁵	0	25	50
GR49	137	107	2.44 x10 ⁵	15	20	60
GR59	147.5	112.5	3.77 x10 ⁵	18	35	70
GR69	168.5	133.5	2.51 x10 ⁵	0	35	70
GR79	173.7	133.7	3.97 x10 ⁵	0	40	80
GR89	216.7	166.7	8.47 x10 ⁵	0	50	100
GR99	255.5	195.5	1.19 x10 ⁶	0	60	120
GR109	285.5	215.5	2.06 x10 ⁶	0	70	140
GR139	343.5	258.5	6.14 x10 ⁶	30	90	170
GR149	402	297	8.65 x10 ⁶	33	110	210
GR169	450	345	1.26 x10 ⁷	0	120	210
GR179	420	295	1.6 x10 ⁷	0	160	250
GRX59	43.5	23.5	1.51 x10 ⁵	34.2	20	40
GRX69	52.5	27.5	2.42 x10 ⁵	39.7	25	50
GRX79	60.5	30.5	1.95 x10 ⁵	0	30	60
GRX89	73.5	33.5	7.69 x10 ⁵	48.9	40	80
GRX99	86.5	36.5	1.43 x10 ⁶	53.9	50	100
GRX109	102.5	42.5	2.47 x10 ⁶	62.3	60	120
GRX139	133	63	3.55 x10 ⁶	70.1	70	140
GF39	123.5	98.5	1.07 x10 ⁵	0	25	50
GF49	153.5	123.5	1.78 x10 ⁵	0	30	60
GF59	170.7	135.7	5.49 x10 ⁵	32	35	70
GF69	181.3	141.3	4.12 x10 ⁵	0	40	80
GF79	215.8	165.8	7.78 x10 ⁵	0	50	100
GF89	263	203	1.19 x10 ⁶	0	60	120
GF99	350	280	2.09 x10 ⁶	0	70	140
GF109	373.5	288.5	4.23 x10 ⁶	0	90	170
GF129	442.5	337.5	9.49 x10 ⁶	0	110	210
GF159	512	407	1.05 x10 ⁷	0	120	210
GK39	123.5	98.5	1.41 x10 ⁵	0	25	50
GK49	153.5	123.5	1.78 x10 ⁵	0	30	60
GK59	169.7	134.7	6.8 x10 ⁵	31	35	70
GK69	181.3	141.3	4.12 x10 ⁵	0	40	80
GK79	215.8	165.8	7.69 x10 ⁵	0	50	100
GK89	252	192	1.64 x10 ⁶	0	60	120
GK99	319	249	2.8 x10 ⁶	0	70	140
GK109	373.5	288.5	5.53 x10 ⁶	0	90	170
GK129	443.5	338.5	8.31 x10 ⁶	0	110	210
GK159	509	404	1.18 x10 ⁷	0	120	210
GK169	621.5	496.5	1.88 x10 ⁷	0	160	250
GK189	720.5	560.5	3.04 x10 ⁷	0	190	320
GS39	118.5	98.5	6.0 x10 ⁴	0	20	40
GS49	130	105	1.33 x10 ⁵	0	25	50
GS59	150	120	2.14 x10 ⁵	0	30	60
GS69	184	149	3.04 x10 ⁵	0	35	70
GS79	224	179	5.26 x10 ⁵	0	45	90
GS89	281.5	221.5	1.68 x10 ⁶	0	60	120
GS99	326.3	256.3	2.54 x10 ⁶	0	70	140
GS109	453.5	283.5	2.85 x10 ⁶	0	90	170

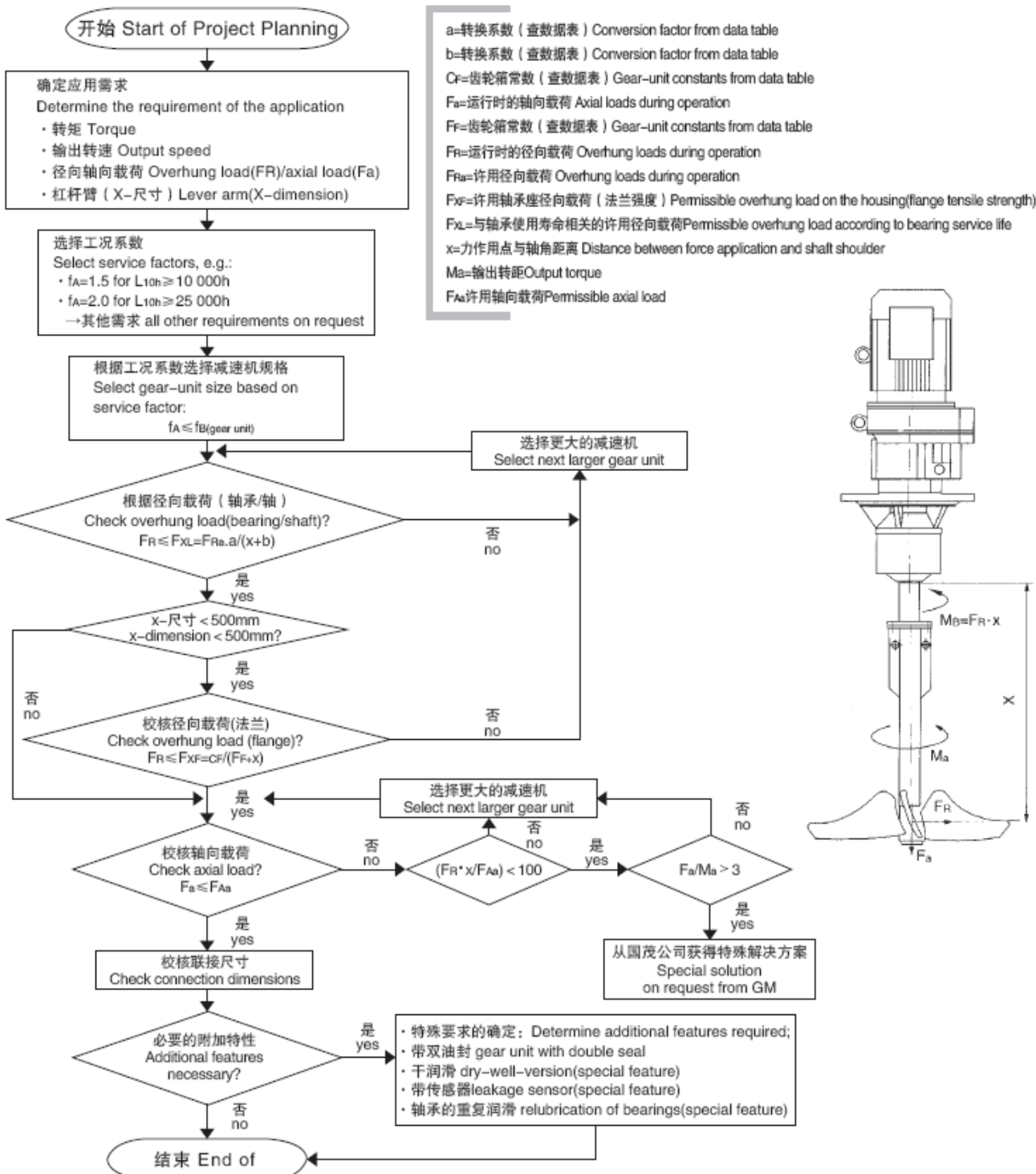
对于没有列出的型号的减速机常数需要另给定。

Values for types not listed are available on request.

GRM...选型

Selection procedure of GRM...

GRM 齿轮减速电机是一种带有扩展输出轴承座的特种齿轮减速电机，可用于大悬挂载荷、大轴向载荷和大变化载荷的场合。其主要性能参数同 GR 系列标准齿轮减速电机，外形及安装尺寸可参考“GRM 齿轮减速电机”部分图。GRM geared motors are a special type of helical geared motor with an extended output bearing housing. They are specially designed for agitator applications and can be used in applications subject to high overhung and axial loads as well as flexural torque. The remaining data correspond to the standard helical geared motors. You can find special project planning notes for GRM geared motors in “GRM gear units” in the “Project Planning for Gear Units” section.



许用径向和轴向载荷

Permitted overhung and axial loads

根据不同的服务系数 f_B 和不同的标称轴承使用寿命 L_{10h} 提供下述的许用径向载荷 F_{Ra} 和轴向载荷 F_{Aa} 。

The permitted overhung loads F_{Ra} and axial loads F_{Aa} are specified for various service factors f_B and nominal bearing service life L_{10h} .

$f_{Bmin}=1.5 / L_{10h}=10000h$

		输出转速 Output speed n_a [rpm]							
		< 16	16-25	26-40	41-60	61-100	101-160	161-250	251-400
GRM59	F_{Ra} [N]	400	400	400	400	400	405	410	415
	F_{Aa} [N]	18800	15000	11500	9700	7100	5650	4450	3800
GRM69	F_{Ra} [N]	575	575	575	580	575	585	590	600
	F_{Aa} [N]	19000	18900	15300	11900	9210	7470	5870	5050
GRM79	F_{Ra} [N]	1200	1200	1200	1200	1200	1210	1210	1220
	F_{Aa} [N]	22000	22000	19400	15100	11400	9220	7200	6710
GRM89	F_{Ra} [N]	1970	1970	1970	1970	1980	1990	2000	2010
	F_{Aa} [N]	30000	30000	23600	18000	14300	11000	8940	8030
GRM99	F_{Ra} [N]	2980	2980	2990	3010	3050	3060	3060	3080
	F_{Aa} [N]	40000	36100	27300	20300	15900	12600	9640	7810
GRM109	F_{Ra} [N]	4230	4230	4230	4230	4230	4230	3580	3830
	F_{Aa} [N]	48000	41000	30300	23000	18000	13100	9550	9030
GRM139	F_{Ra} [N]	8710	8710	8710	8710	7220	5060	3980	6750
	F_{Aa} [N]	70000	70000	70000	57600	46900	44000	35600	32400
GRM149	F_{Ra} [N]	11100	11100	11100	11100	10600	10600	8640	10800
	F_{Aa} [N]	70000	70000	69700	58400	45600	38000	32800	30800
GRM169	F_{Ra} [N]	14600	14600	14600	14600	14600	14700		
	F_{Aa} [N]	70000	70000	70000	60300	45300	36900		

$f_{Bmin}=2.0 / L_{10h}=25000h$

		输出转速 Output speed n_a [rpm]							
		< 16	16-25	26-40	41-60	61-100	101-160	161-250	251-400
GRM59	F_{Ra} [N]	410	410	410	410	410	415	415	420
	F_{Aa} [N]	12100	9600	7350	6050	4300	3350	2600	2200
GRM69	F_{Ra} [N]	590	590	590	595	590	595	600	605
	F_{Aa} [N]	15800	12000	9580	7330	5580	4460	3460	2930
GRM79	F_{Ra} [N]	1210	1210	1210	1210	1210	1220	1220	1220
	F_{Aa} [N]	20000	15400	11900	9070	6670	5280	4010	3700
GRM89	F_{Ra} [N]	2000	2000	2000	2000	2000	1720	1690	1710
	F_{Aa} [N]	24600	19200	14300	10600	8190	6100	5490	4860
GRM99	F_{Ra} [N]	3040	3040	3040	3050	3070	3080	2540	2430
	F_{Aa} [N]	28400	22000	16200	11600	8850	6840	5830	4760
GRM109	F_{Ra} [N]	4330	4330	4330	4330	4330	3350	2810	2990
	F_{Aa} [N]	32300	24800	17800	13000	9780	8170	5950	5620
GRM139	F_{Ra} [N]	8850	8850	8850	8830	5660	4020	3200	5240
	F_{Aa} [N]	70000	59900	48000	37900	33800	31700	25600	23300
GRM149	F_{Ra} [N]	11400	11400	11400	11400	11400	8320	6850	8440
	F_{Aa} [N]	70000	60600	45900	39900	33500	27900	24100	22600
GRM169	F_{Ra} [N]	15100	15100	15100	15100	15100	13100		
	F_{Aa} [N]	70000	63500	51600	37800	26800	23600		

转换系数和减速机常数

Conversion factors and gear unit constants

计算 GRM 齿轮减速机额定径向载荷 F_{xL} ($x \neq 1000\text{mm}$) 的转换系数:

The following conversion factors and gear unit constants apply to calculating the approved overhung load F_{xL} at point $x \neq 1000\text{mm}$ for GRM geared motors:

机型号 Type size	a	b	$c_F(f_B=1.5)$	$c_F(f_B=2.0)$	F_F
GRM59	1047	47	1220600	1260400	277
GRM69	1047	47	2047600	2100000	297.5
GRM79	1050	50	2512800	2574700	340.5
GRM89	1056.5	56.5	4917800	5029000	414
GRM99	1061	61	10911600	11124100	481
GRM109	1069	69	15367000	15652000	554.5
GRM139	1088	88	25291700	25993600	650
GRM149	1091	91	30038700	31173900	756
GRM169	1089.5	89.5	42096100	43654300	869

GRM 减速机的增加重量

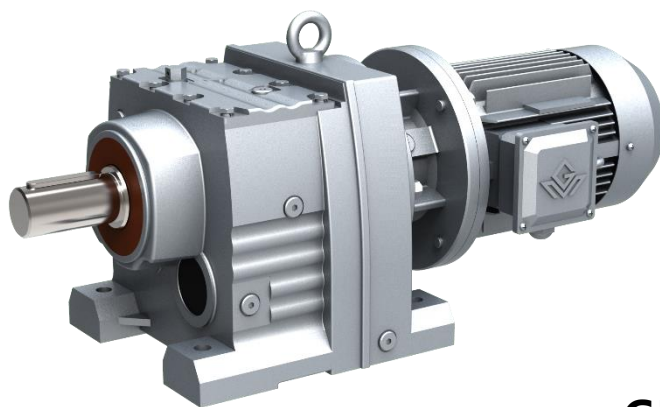
Additional weights of GRM gear units

型号 Type	用 GRF 系列最小的法兰所增加的重量表 Additional weight in addition to GRF, related to the smallest GRF flange	$\Delta m[\text{kg}]$
GRM59	12	
GRM69	15.8	
GRM79	25	
GRM89	29.7	
GRM99	51.3	
GRM109	88	
GRM139	111.1	
GRM149	167.4	
GRM169	195.4	

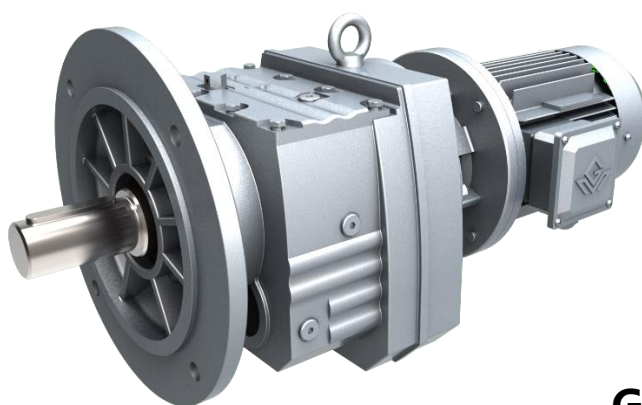
GR Series Helical Geared Motors

GR
系列

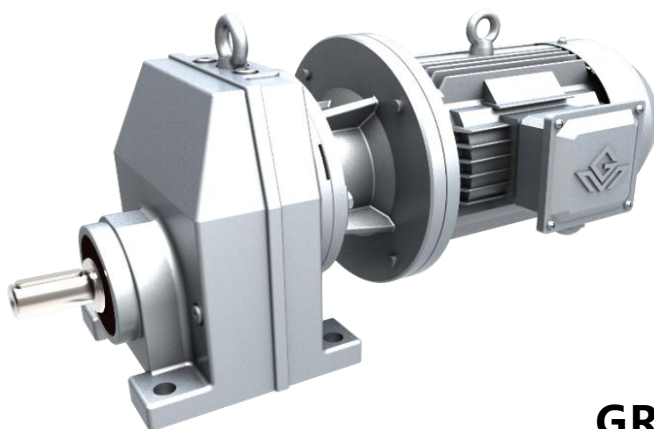
斜
齿
轮
减
速
电
机



GR..



GRF..



GRX..

GR 系列

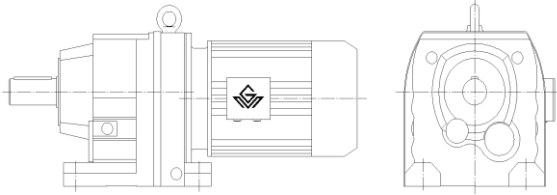
结构形式说明

GR 系列输入轴和输出轴有小偏心，由单级、二级或三级斜齿轮构成。

The input shafts and output shafts of GR series have small eccentricity. Units of GR series consist of single-stage, two-stage or three-stage helical gears.

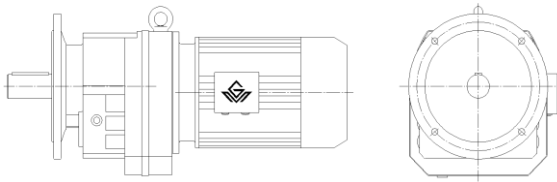
1.GR 型： 底脚安装。

Type GR: Foot mounted.



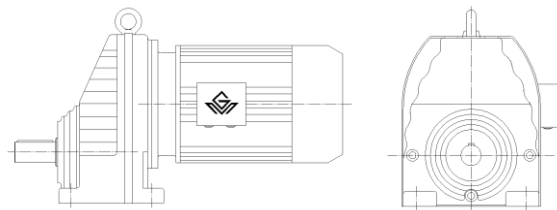
2.GRF 型： B5 法兰安装。

Type GRF: B5 flange mounted.



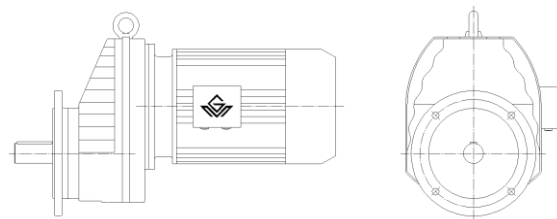
3.GRX 型： 底脚安装，单级传动。

Type GRX: Foot mounted. Single stage.



4. GRXF 型： B5 法兰安装，单级传动。

Type GRXF: B5 flange mounted. Single stage.

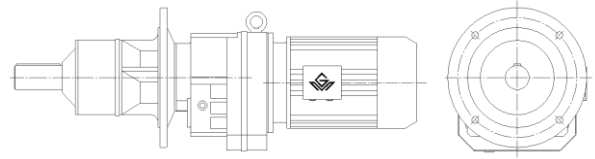


Type of GR Series

Dimensional Description

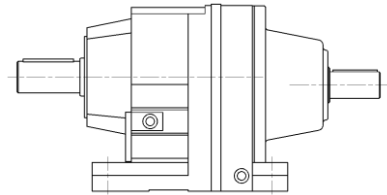
5.GRM 型： 法兰安装，带有加长轴承箱。

Type GRM: Flange mounted. Extended bearing housing.



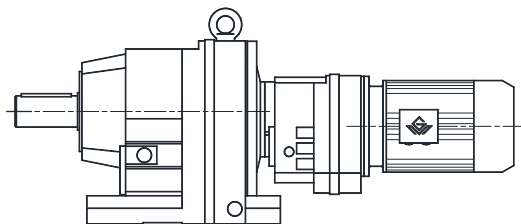
6.GR..AD..型： 输入轴型。

Type GR..AD..: Input shaft types.



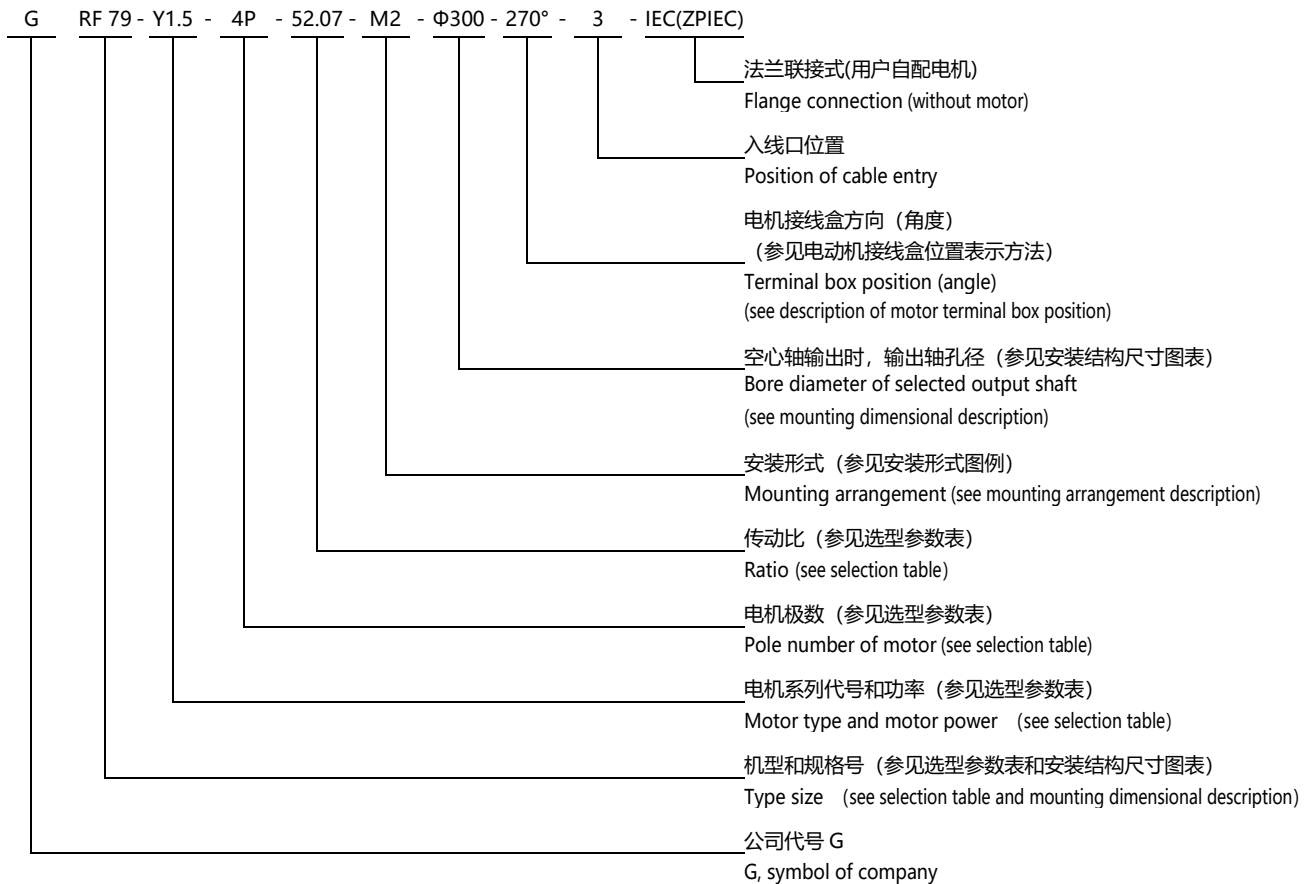
7.GR..R 型： 两个 GR 系列的组合。

Type GR..R: Combined types of two type GR.



型号表示方法

Type Expression of GR Series

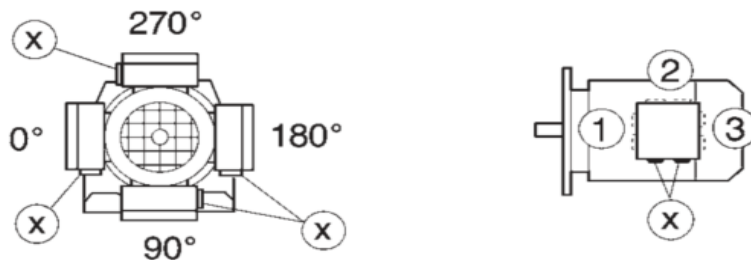


- 注: 1、需带联接法兰时请注明 IEC。
2、输入轴型没有电动机各项内容。
3、不注明减速机的安装形式时, 则默认为安装形式中的 M1 位置。不注明接线盒方向时, 则默认为安装形式中的 0 度位置。不注明入线口位置时, 则默认为 X 位置。
4、对输出轴旋转方向和输入轴旋转方向有特别要求的用户, 请与技术部联系, 并在订货时用简图或文字说明。

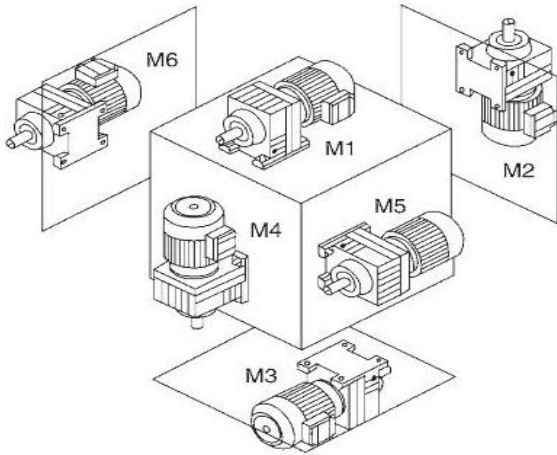
- Note: 1、Please make a note, if it needs connecting flange.
2、Contents of motors for input shaft types are not listed.
3、It is M1, When the mounting arrangement of the reducer is not mentioned. Degree=0°, if terminal box position is not mentioned. It is X, if cable entry position is not mentioned.
4、If specific rotation directions of output shaft or/and input shaft are specially requested, please contact our technology department, and make detailed description while placing order.

电机接线盒位置及入线口位置表示方法

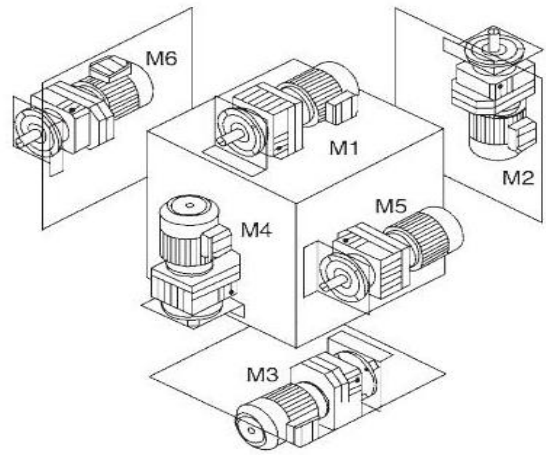
Description of Motor Terminal Box Position and Cable Entry Position



安装形式图例



Mounting Arrangements Description



安装形式定义:

M1-电机水平放置; 减速机底脚(GR、GRX 型)或底部 (GRF、GRXF 型) 朝下。

M2-电机居下。

M3-电机水平放置; 减速机底脚(GR、GRX 型)或底部 (GRF、GRXF 型) 朝上。

M4-电机居上。

M5-电机水平放置; 当减速机在 M1 安装位置时, 从电机方向看, 减速机的左面旋转到下方位置。

M6-电机水平放置; 当减速机在 M1 安装位置时, 从电机方向看, 减速机的左面旋转到上方位置。

Mounting arrangements are defined as following:

M1-horizontally mounted motor,unit foot (for GR,GRX) or unit base (for GRF,GRXF) is at bottom.

M2-motor is vertically mounted downwards.

M3-horizontally mounted motor,unit foot (for GR,GRX) or unit base (for GRF,GRXF) is top.

M4-motor is vertically mounted upwards.

M5-horizontally mounted motor,if placed on M1 position,left side of unit turns to bottom(view point:towards from motor side).

M6-horizontally mounted motor,if placed on M1 position,left side of unit turns to top(view point:towards from motor side).

减速机重量

Gear Unit Weight

机型号 Type size	GR19	GR29	GR39	GR49	GR59	GR69	GR79	GR89	GR99	GR109	GR139	GR149	GR169	GR179
重量(kg) Weight	5	6	7.5	13	21	25	35	67	100	187	280	450	735	1250
机型号 Type size	GRX59	GRX69	GRX79	GRX89	GRX99	GRX109	GRX139							
重量(kg) Weight	11	15	25	47	80	115	130							

注:重量为平均值, 不包括电机、联接法兰, 仅供参考。

(Note: The weights mean values without the motor and IEC flange, only for reference.)

选型参数表注释

Description of Selection Table

恒功率 Constant power

n_a [r/min]	M_a [Nm]	i	F_{Ra} [kN]	f_B	机型号 Type size	极数 Pole
↓	↓	↓	↓	↓	↓	↓
输出转速 Output speed	输出转矩 Output torque	减速比 Ratio	许用径向载荷 Permissible radial load	使用系数 Service factor		

恒转矩 Constant torque

M_{max} [Nm]	n_a [r/min]	i	F_{Ra} [kN]	机型号 Type size	P [kW]/4P
↓	↓	↓	↓	↓	↓
最大输出转矩 Max.output torque	输出转速 Output speed	减速比 Ratio	许用径向载荷 Permissible radial load		电机功率 Motor power

选型参数表

(恒功率) 0.12kW

Selection Table

(Constant Power) 0.12kW

n_a [r/min]	M_a [Nm]	i	F_{Ra} [kN]	f_B	机型号 Type size	极数 Pole	n_a [r/min]	M_a [Nm]	i	F_{Ra} [kN]	f_B	机型号 Type size	极数 Pole																																																																																																																																																																																																																																																																																																																																																																																																																																																																																																																																																																																																																																																																							
0.12kW							0.12kW																																																																																																																																																																																																																																																																																																																																																																																																																																																																																																																																																																																																																																																																													
0.06	16850	21342	56	0.80	GR149R79 GRF149R79	4P	0.92	1129	1430	7.8	0.80	GR79R39 GRF79R39	4P																																																																																																																																																																																																																																																																																																																																																																																																																																																																																																																																																																																																																																																																							
0.07	14370	18201	61	0.95			0.08	12571	15923	64	1.10			0.09	11112	14075	65	1.25	0.11	9746	12344	67	1.40	GR149R79 GRF149R79	4P	1.0	1029	1303	8.6	0.85	GR79R39 GRF79R39	4P	0.12	8798	11143	68	1.60	0.13	7692	9743	69	1.80	0.16	6666	8443	69	2.10	0.18	5769	7307	70	2.40	0.20	5090	6447	70	2.70	0.24	4396	5568	70	3.20	GR139R79 GRF139R79	4P	1.1	962	1218	10	0.90	0.10	10201	12921	50	0.85	1.2	856	1084	10	1.00	0.11	9247	11712	52	0.90	1.4	742	940	11	1.15	0.12	8348	10573	54	1.00	1.6	648	821	11	1.35	0.15	6935	8784	55	1.20	1.8	577	731	12	1.50	0.18	5905	7479	56	1.45	2.0	510	646	12	1.70	0.20	5178	6559	57	1.65	2.5	411	520	12	2.10	0.22	4606	5834	57	1.85	2.9	356	451	12	2.45	0.26	4039	5116	57	2.10	3.1	333	422	12	2.60	0.17	5987	7583	27	0.80	3.6	288	365	12	3.00	0.19	5324	6743	30	0.85	1.4	755	956	5.7	0.85	0.22	4669	5914	31	1.00	1.5	703	891	7.1	0.90	0.25	4080	5168	33	1.10	1.8	576	730	8.2	1.10	0.30	3502	4435	34	1.30	2.0	508	644	8.7	1.25	0.34	3076	3896	35	1.50	2.3	451	571	9.0	1.40	0.43	2399	3039	35	1.90	2.7	384	486	9.3	1.65	0.33	3093	3918	34	1.45	1.6	660	836	7.6	0.95	0.39	2639	3343	35	1.70	1.7	592	750	8.4	1.05	0.43	2395	3034	35	1.90	2.0	510	646	8.7	1.25	0.49	2095	2653	35	2.15	2.3	453	574	9.0	1.40	0.57	1800	2280	35	2.50	2.6	391	495	9.3	1.60	0.63	1632	2067	36	2.80	3.0	346	438	9.5	1.85	0.29	3599	4559	20	0.90	1.7	617	782	5.4	0.80	0.33	3161	4004	23	1.00	1.9	535	678	6.8	0.90	0.38	2748	3481	24	1.15	2.2	477	604	7.0	1.00	0.28	3693	4678	3.8	0.85	2.4	424	537	7.1	1.10	0.30	3402	4309	20	0.95	2.8	372	471	7.2	1.30	0.35	2923	3702	23	1.10	3.7	282	357	7.4	1.70	0.43	2384	3019	25	1.30	4.1	252	319	7.4	1.90	0.49	2106	2668	26	1.50	3.6	283	359	7.4	1.70	0.58	1772	2245	26	1.80	4.0	256	324	7.4	1.85	0.65	1592	2016	27	2.00	4.5	229	290	7.5	2.10	0.76	1368	1733	27	2.30	5.0	207	262	7.5	2.30	0.43	2420	3065	25	1.30	5.3	194	246	7.5	2.45	0.48	2149	2722	26	1.50	6.0	174	220	7.5	2.75	0.57	1825	2311	26	1.75	2.3	452	572	2.4	0.80	0.63	1641	2078	26	1.95	2.6	403	510	4.9	0.80	0.72	1439	1823	27	2.20	3.0	344	436	5.3	0.90	0.83	1250	1583	27	2.55	3.2	322	408	5.3	1.00	0.94	1102	1396	27	2.90	3.8	272	344	5.5	1.15	1.1	970	1228	27	3.30	2.6	396	502	3.6	0.80	0.45	2278	2885	15	0.80	3.1	339	429	5.2	0.95	0.67	1555	1969	18	1.05	3.5	294	372	5.4	1.10	0.47	2196	2781	10	0.80	3.8	275	348	5.4	1.15	0.50	2057	2606	15	0.80	4.4	238	301	5.5	1.35	0.61	1688	2138	17	0.95	5.1	201	255	5.7	1.55	0.68	1530	1938	18	1.05	5.7	180	228	5.7	1.75	0.75	1374	1740	18	1.20	6.7	154	195	5.7	2.10	0.75	1377	1744	19	1.20	3.9	267	338	4.5	0.80	0.86	1208	1530	19	1.35	4.4	234	296	4.7	0.90	1.0	1033	1308	19	1.60	5.1	204	259	5.0	1.00	1.1	906	1148	19	1.80	5.7	180	228	5.1	1.15	1.5	702	889	19	2.35	6.6	157	199	5.3	1.35	1.7	616	780	19	2.65	7.6	136	172	5.4	1.55	1.9	543	688	19	3.00	4.0	259	328	4.3	0.80	2.2	474	601	19	3.50	4.5	228	289	4.7	0.90						4.9	209	265	4.9	1.00						5.8	178	226	5.2	1.20						6.5	159	202	5.3	1.30						7.3	141	179	5.4	1.50	
0.08	12571	15923	64	1.10			0.09	11112	14075	65	1.25			0.11	9746	12344	67	1.40	GR149R79 GRF149R79	4P	1.0	1029	1303			8.6	0.85	GR79R39 GRF79R39	4P	0.12			8798	11143	68	1.60	0.13	7692	9743	69	1.80	0.16	6666	8443	69	2.10	0.18	5769	7307	70	2.40	0.20	5090	6447	70	2.70	0.24	4396	5568	70	3.20	GR139R79 GRF139R79			4P	1.1	962	1218	10	0.90	0.10	10201	12921	50	0.85	1.2	856	1084	10	1.00	0.11	9247	11712	52	0.90	1.4	742	940	11	1.15	0.12	8348	10573	54	1.00	1.6	648	821	11	1.35	0.15	6935	8784	55	1.20	1.8	577	731	12	1.50	0.18	5905	7479	56	1.45	2.0	510	646	12	1.70	0.20	5178	6559	57	1.65	2.5	411	520	12	2.10	0.22	4606	5834	57	1.85	2.9	356	451	12	2.45	0.26	4039	5116	57	2.10	3.1	333	422	12	2.60	0.17	5987	7583	27	0.80	3.6	288	365	12	3.00	0.19	5324	6743	30	0.85	1.4	755	956	5.7	0.85	0.22	4669	5914	31	1.00	1.5	703	891	7.1	0.90	0.25	4080	5168	33	1.10	1.8	576	730	8.2	1.10	0.30	3502	4435	34	1.30	2.0	508	644	8.7	1.25	0.34	3076	3896	35	1.50	2.3	451	571	9.0	1.40	0.43	2399	3039	35	1.90	2.7	384	486	9.3	1.65	0.33	3093	3918	34	1.45	1.6	660	836	7.6	0.95	0.39	2639	3343	35	1.70	1.7	592	750	8.4	1.05	0.43	2395	3034	35	1.90	2.0	510	646	8.7	1.25	0.49	2095	2653	35	2.15	2.3	453	574	9.0	1.40	0.57	1800	2280	35	2.50	2.6	391	495	9.3	1.60	0.63	1632	2067	36	2.80	3.0	346	438	9.5	1.85	0.29	3599	4559	20	0.90	1.7	617	782	5.4	0.80	0.33	3161	4004	23	1.00	1.9	535	678	6.8	0.90	0.38	2748	3481	24	1.15	2.2	477	604	7.0	1.00	0.28	3693	4678	3.8	0.85	2.4	424	537	7.1	1.10	0.30	3402	4309	20	0.95	2.8	372	471	7.2	1.30	0.35	2923	3702	23	1.10	3.7	282	357	7.4	1.70	0.43	2384	3019	25	1.30	4.1	252	319	7.4	1.90	0.49	2106	2668	26	1.50	3.6	283	359	7.4	1.70	0.58	1772	2245	26	1.80	4.0	256	324	7.4	1.85	0.65	1592	2016	27	2.00	4.5	229	290	7.5	2.10	0.76	1368	1733	27	2.30	5.0	207	262	7.5	2.30	0.43	2420	3065	25	1.30	5.3	194	246	7.5	2.45	0.48	2149	2722	26	1.50	6.0	174	220	7.5	2.75	0.57	1825	2311	26	1.75	2.3	452	572	2.4	0.80	0.63	1641	2078	26	1.95	2.6	403	510	4.9	0.80	0.72	1439	1823	27	2.20	3.0	344	436	5.3	0.90	0.83	1250	1583	27	2.55	3.2	322	408	5.3	1.00	0.94	1102	1396	27	2.90	3.8	272	344	5.5	1.15	1.1	970	1228	27	3.30	2.6	396	502	3.6	0.80	0.45	2278	2885	15	0.80	3.1	339	429	5.2	0.95	0.67	1555	1969	18	1.05	3.5	294	372	5.4	1.10	0.47	2196	2781	10	0.80	3.8	275	348	5.4	1.15	0.50	2057	2606	15	0.80	4.4	238	301	5.5	1.35	0.61	1688	2138	17	0.95	5.1	201	255	5.7	1.55	0.68	1530	1938	18	1.05	5.7	180	228	5.7	1.75	0.75	1374	1740	18	1.20	6.7	154	195	5.7	2.10	0.75	1377	1744	19	1.20	3.9	267	338	4.5	0.80	0.86	1208	1530	19	1.35	4.4	234	296	4.7	0.90	1.0	1033	1308	19	1.60	5.1	204	259	5.0	1.00	1.1	906	1148	19	1.80	5.7	180	228	5.1	1.15	1.5	702	889	19	2.35	6.6	157	199	5.3	1.35	1.7	616	780	19	2.65	7.6	136	172	5.4	1.55	1.9	543	688	19	3.00	4.0	259	328	4.3	0.80	2.2	474	601	19	3.50	4.5	228	289	4.7	0.90						4.9	209	265	4.9	1.00						5.8	178	226	5.2	1.20						6.5	159	202	5.3	1.30						7.3	141	179	5.4	1.50
0.09	11112	14075	65	1.25			0.11	9746	12344	67	1.40			GR149R79 GRF149R79	4P	1.0	1029	1303			8.6	0.85	GR79R39 GRF79R39			4P	0.12			8798			11143	68	1.60	0.13	7692	9743	69	1.80	0.16	6666	8443	69	2.10	0.18	5769	7307	70	2.40	0.20	5090	6447	70	2.70	0.24	4396	5568	70	3.20	GR139R79 GRF139R79					4P	1.1	962	1218	10	0.90	0.10	10201	12921	50	0.85	1.2	856	1084	10	1.00	0.11	9247	11712	52	0.90	1.4	742	940	11	1.15	0.12	8348	10573	54	1.00	1.6	648	821	11	1.35	0.15	6935	8784	55	1.20	1.8	577	731	12	1.50	0.18	5905	7479	56	1.45	2.0	510	646	12	1.70	0.20	5178	6559	57	1.65	2.5	411	520	12	2.10	0.22	4606	5834	57	1.85	2.9	356	451	12	2.45	0.26	4039	5116	57	2.10	3.1	333	422	12	2.60	0.17	5987	7583	27	0.80	3.6	288	365	12	3.00	0.19	5324	6743	30	0.85	1.4	755	956	5.7	0.85	0.22	4669	5914	31	1.00	1.5	703	891	7.1	0.90	0.25	4080	5168	33	1.10	1.8	576	730	8.2	1.10	0.30	3502	4435	34	1.30	2.0	508	644	8.7	1.25	0.34	3076	3896	35	1.50	2.3	451	571	9.0	1.40	0.43	2399	3039	35	1.90	2.7	384	486	9.3	1.65	0.33	3093	3918	34	1.45	1.6	660	836	7.6	0.95	0.39	2639	3343	35	1.70	1.7	592	750	8.4	1.05	0.43	2395	3034	35	1.90	2.0	510	646	8.7	1.25	0.49	2095	2653	35	2.15	2.3	453	574	9.0	1.40	0.57	1800	2280	35	2.50	2.6	391	495	9.3	1.60	0.63	1632	2067	36	2.80	3.0	346	438	9.5	1.85	0.29	3599	4559	20	0.90	1.7	617	782	5.4	0.80	0.33	3161	4004	23	1.00	1.9	535	678	6.8	0.90	0.38	2748	3481	24	1.15	2.2	477	604	7.0	1.00	0.28	3693	4678	3.8	0.85	2.4	424	537	7.1	1.10	0.30	3402	4309	20	0.95	2.8	372	471	7.2	1.30	0.35	2923	3702	23	1.10	3.7	282	357	7.4	1.70	0.43	2384	3019	25	1.30	4.1	252	319	7.4	1.90	0.49	2106	2668	26	1.50	3.6	283	359	7.4	1.70	0.58	1772	2245	26	1.80	4.0	256	324	7.4	1.85	0.65	1592	2016	27	2.00	4.5	229	290	7.5	2.10	0.76	1368	1733	27	2.30	5.0	207	262	7.5	2.30	0.43	2420	3065	25	1.30	5.3	194	246	7.5	2.45	0.48	2149	2722	26	1.50	6.0	174	220	7.5	2.75	0.57	1825	2311	26	1.75	2.3	452	572	2.4	0.80	0.63	1641	2078	26	1.95	2.6	403	510	4.9	0.80	0.72	1439	1823	27	2.20	3.0	344	436	5.3	0.90	0.83	1250	1583	27	2.55	3.2	322	408	5.3	1.00	0.94	1102	1396	27	2.90	3.8	272	344	5.5	1.15	1.1	970	1228	27	3.30	2.6	396	502	3.6	0.80	0.45	2278	2885	15	0.80	3.1	339	429	5.2	0.95	0.67	1555	1969	18	1.05	3.5	294	372	5.4	1.10	0.47	2196	2781	10	0.80	3.8	275	348	5.4	1.15	0.50	2057	2606	15	0.80	4.4	238	301	5.5	1.35	0.61	1688	2138	17	0.95	5.1	201	255	5.7	1.55	0.68	1530	1938	18	1.05	5.7	180	228	5.7	1.75	0.75	1374	1740	18	1.20	6.7	154	195	5.7	2.10	0.75	1377	1744	19	1.20	3.9	267	338	4.5	0.80	0.86	1208	1530	19	1.35	4.4	234	296	4.7	0.90	1.0	1033	1308	19	1.60	5.1	204	259	5.0	1.00	1.1	906	1148	19	1.80	5.7	180	228	5.1	1.15	1.5	702	889	19	2.35	6.6	157	199	5.3	1.35	1.7	616	780	19	2.65	7.6	136	172	5.4	1.55	1.9	543	688	19	3.00	4.0	259	328	4.3	0.80	2.2	474	601	19	3.50	4.5	228	289	4.7	0.90						4.9	209	265	4.9	1.00						5.8	178	226	5.2	1.20						6.5	159	202	5.3	1.30						7.3	141	179	5.4
0.11	9746	12344	67	1.40	GR149R79 GRF149R79	4P	1.0	1029	1303	8.6	0.85	GR79R39 GRF79R39	4P																																																																																																																																																																																																																																																																																																																																																																																																																																																																																																																																																																																																																																																																							
0.12	8798	11143	68	1.60			0.13	7692	9743	69	1.80					0.16	6666	8443			69	2.10					0.18			5769			7307	70	2.40	0.20	5090	6447	70	2.70	0.24	4396	5568	70	3.20	GR139R79 GRF139R79	4P	1.1	962	1218	10	0.90	0.10	10201	12921	50	0.85	1.2	856	1084							10	1.00	0.11	9247	11712	52	0.90	1.4	742	940	11	1.15	0.12	8348	10573	54	1.00	1.6	648	821	11	1.35	0.15	6935	8784	55	1.20	1.8	577	731	12	1.50	0.18	5905	7479	56	1.45	2.0	510	646	12	1.70	0.20	5178	6559	57	1.65	2.5	411	520	12	2.10	0.22	4606	5834	57	1.85	2.9	356	451	12	2.45	0.26	4039	5116	57	2.10	3.1	333	422	12	2.60	0.17	5987	7583	27	0.80	3.6	288	365	12	3.00	0.19	5324	6743	30	0.85	1.4	755	956	5.7	0.85	0.22	4669	5914	31	1.00	1.5	703	891	7.1	0.90	0.25	4080	5168	33	1.10	1.8	576	730	8.2	1.10	0.30	3502	4435	34	1.30	2.0	508	644	8.7	1.25	0.34	3076	3896	35	1.50	2.3	451	571	9.0	1.40	0.43	2399	3039	35	1.90	2.7	384	486	9.3	1.65	0.33	3093	3918	34	1.45	1.6	660	836	7.6	0.95	0.39	2639	3343	35	1.70	1.7	592	750	8.4	1.05	0.43	2395	3034	35	1.90	2.0	510	646	8.7	1.25	0.49	2095	2653	35	2.15	2.3	453	574	9.0	1.40	0.57	1800	2280	35	2.50	2.6	391	495	9.3	1.60	0.63	1632	2067	36	2.80	3.0	346	438	9.5	1.85	0.29	3599	4559	20	0.90	1.7	617	782	5.4	0.80	0.33	3161	4004	23	1.00	1.9	535	678	6.8	0.90	0.38	2748	3481	24	1.15	2.2	477	604	7.0	1.00	0.28	3693	4678	3.8	0.85	2.4	424	537	7.1	1.10	0.30	3402	4309	20	0.95	2.8	372	471	7.2	1.30	0.35	2923	3702	23	1.10	3.7	282	357	7.4	1.70	0.43	2384	3019	25	1.30	4.1	252	319	7.4	1.90	0.49	2106	2668	26	1.50	3.6	283	359	7.4	1.70	0.58	1772	2245	26	1.80	4.0	256	324	7.4	1.85	0.65	1592	2016	27	2.00	4.5	229	290	7.5	2.10	0.76	1368	1733	27	2.30	5.0	207	262	7.5	2.30	0.43	2420	3065	25	1.30	5.3	194	246	7.5	2.45	0.48	2149	2722	26	1.50	6.0	174	220	7.5	2.75	0.57	1825	2311	26	1.75	2.3	452	572	2.4	0.80	0.63	1641	2078	26	1.95	2.6	403	510	4.9	0.80	0.72	1439	1823	27	2.20	3.0	344	436	5.3	0.90	0.83	1250	1583	27	2.55	3.2	322	408	5.3	1.00	0.94	1102	1396	27	2.90	3.8	272	344	5.5	1.15	1.1	970	1228	27	3.30	2.6	396	502	3.6	0.80	0.45	2278	2885	15	0.80	3.1	339	429	5.2	0.95	0.67	1555	1969	18	1.05	3.5	294	372	5.4	1.10	0.47	2196	2781	10	0.80	3.8	275	348	5.4	1.15	0.50	2057	2606	15	0.80	4.4	238	301	5.5	1.35	0.61	1688	2138	17	0.95	5.1	201	255	5.7	1.55	0.68	1530	1938	18	1.05	5.7	180	228	5.7	1.75	0.75	1374	1740	18	1.20	6.7	154	195	5.7	2.10	0.75	1377	1744	19	1.20	3.9	267	338	4.5	0.80	0.86	1208	1530	19	1.35	4.4	234	296	4.7	0.90	1.0	1033	1308	19	1.60	5.1	204	259	5.0	1.00	1.1	906	1148	19	1.80	5.7	180	228	5.1	1.15	1.5	702	889	19	2.35	6.6	157	199	5.3	1.35	1.7	616	780	19	2.65	7.6	136	172	5.4	1.55	1.9	543	688	19	3.00	4.0	259	328	4.3	0.80	2.2	474	601	19	3.50	4.5	228	289	4.7	0.90						4.9	209	265	4.9	1.00						5.8	178	226	5.2	1.20						6.5	159	202	5.3	1.30						7.3	141	179	5.4	1.50												
0.13	7692	9743	69	1.80			0.16	6666	8443	69	2.10					0.18	5769	7307			70	2.40					0.20			5090			6447	70	2.70	0.24	4396	5568	70	3.20	GR139R79 GRF139R79	4P	1.1	962	1218			10	0.90	0.10	10201	12921	50	0.85	1.2	856	1084	10	1.00	0.11							9247	11712	52	0.90	1.4	742	940	11	1.15	0.12	8348	10573	54	1.00	1.6	648	821	11	1.35	0.15	6935	8784	55	1.20	1.8	577	731	12	1.50	0.18	5905	7479	56	1.45	2.0	510	646	12	1.70	0.20	5178	6559	57	1.65	2.5	411	520	12	2.10	0.22	4606	5834	57	1.85	2.9	356	451	12	2.45	0.26	4039	5116	57	2.10	3.1	333	422	12	2.60	0.17	5987	7583	27	0.80	3.6	288	365	12	3.00	0.19	5324	6743	30	0.85	1.4	755	956	5.7	0.85	0.22	4669	5914	31	1.00	1.5	703	891	7.1	0.90	0.25	4080	5168	33	1.10	1.8	576	730	8.2	1.10	0.30	3502	4435	34	1.30	2.0	508	644	8.7	1.25	0.34	3076	3896	35	1.50	2.3	451	571	9.0	1.40	0.43	2399	3039	35	1.90	2.7	384	486	9.3	1.65	0.33	3093	3918	34	1.45	1.6	660	836	7.6	0.95	0.39	2639	3343	35	1.70	1.7	592	750	8.4	1.05	0.43	2395	3034	35	1.90	2.0	510	646	8.7	1.25	0.49	2095	2653	35	2.15	2.3	453	574	9.0	1.40	0.57	1800	2280	35	2.50	2.6	391	495	9.3	1.60	0.63	1632	2067	36	2.80	3.0	346	438	9.5	1.85	0.29	3599	4559	20	0.90	1.7	617	782	5.4	0.80	0.33	3161	4004	23	1.00	1.9	535	678	6.8	0.90	0.38	2748	3481	24	1.15	2.2	477	604	7.0	1.00	0.28	3693	4678	3.8	0.85	2.4	424	537	7.1	1.10	0.30	3402	4309	20	0.95	2.8	372	471	7.2	1.30	0.35	2923	3702	23	1.10	3.7	282	357	7.4	1.70	0.43	2384	3019	25	1.30	4.1	252	319	7.4	1.90	0.49	2106	2668	26	1.50	3.6	283	359	7.4	1.70	0.58	1772	2245	26	1.80	4.0	256	324	7.4	1.85	0.65	1592	2016	27	2.00	4.5	229	290	7.5	2.10	0.76	1368	1733	27	2.30	5.0	207	262	7.5	2.30	0.43	2420	3065	25	1.30	5.3	194	246	7.5	2.45	0.48	2149	2722	26	1.50	6.0	174	220	7.5	2.75	0.57	1825	2311	26	1.75	2.3	452	572	2.4	0.80	0.63	1641	2078	26	1.95	2.6	403	510	4.9	0.80	0.72	1439	1823	27	2.20	3.0	344	436	5.3	0.90	0.83	1250	1583	27	2.55	3.2	322	408	5.3	1.00	0.94	1102	1396	27	2.90	3.8	272	344	5.5	1.15	1.1	970	1228	27	3.30	2.6	396	502	3.6	0.80	0.45	2278	2885	15	0.80	3.1	339	429	5.2	0.95	0.67	1555	1969	18	1.05	3.5	294	372	5.4	1.10	0.47	2196	2781	10	0.80	3.8	275	348	5.4	1.15	0.50	2057	2606	15	0.80	4.4	238	301	5.5	1.35	0.61	1688	2138	17	0.95	5.1	201	255	5.7	1.55	0.68	1530	1938	18	1.05	5.7	180	228	5.7	1.75	0.75	1374	1740	18	1.20	6.7	154	195	5.7	2.10	0.75	1377	1744	19	1.20	3.9	267	338	4.5	0.80	0.86	1208	1530	19	1.35	4.4	234	296	4.7	0.90	1.0	1033	1308	19	1.60	5.1	204	259	5.0	1.00	1.1	906	1148	19	1.80	5.7	180	228	5.1	1.15	1.5	702	889	19	2.35	6.6	157	199	5.3	1.35	1.7	616	780	19	2.65	7.6	136	172	5.4	1.55	1.9	543	688	19	3.00	4.0	259	328	4.3	0.80	2.2	474	601	19	3.50	4.5	228	289	4.7	0.90						4.9	209	265	4.9	1.00						5.8	178	226	5.2	1.20						6.5	159	202	5.3	1.30						7.3	141	179	5.4	1.50															
0.16	6666	8443	69	2.10			0.18	5769	7307	70	2.40					0.20	5090	6447			70	2.70		0.24	4396		5568			70	3.20	GR139R79 GRF139R79	4P	1.1	962	1218	10	0.90	0.10	10201			12921	50	0.85			1.2	856	1084	10	1.00	0.11	9247	11712	52	0.90	1.4	742	940							11	1.15	0.12	8348	10573	54	1.00	1.6	648	821	11	1.35	0.15	6935	8784	55	1.20	1.8	577	731	12	1.50	0.18	5905	7479	56	1.45	2.0	510	646	12	1.70	0.20	5178	6559	57	1.65	2.5	411	520	12	2.10	0.22	4606	5834	57	1.85	2.9	356	451	12	2.45	0.26	4039	5116	57	2.10	3.1	333	422	12	2.60	0.17	5987	7583	27	0.80	3.6	288	365	12	3.00	0.19	5324	6743	30	0.85	1.4	755	956	5.7	0.85	0.22	4669	5914	31	1.00	1.5	703	891	7.1	0.90	0.25	4080	5168	33	1.10	1.8	576	730	8.2	1.10	0.30	3502	4435	34	1.30	2.0	508	644	8.7	1.25	0.34	3076	3896	35	1.50	2.3	451	571	9.0	1.40	0.43	2399	3039	35	1.90	2.7	384	486	9.3	1.65	0.33	3093	3918	34	1.45	1.6	660	836	7.6	0.95	0.39	2639	3343	35	1.70	1.7	592	750	8.4	1.05	0.43	2395	3034	35	1.90	2.0	510	646	8.7	1.25	0.49	2095	2653	35	2.15	2.3	453	574	9.0	1.40	0.57	1800	2280	35	2.50	2.6	391	495	9.3	1.60	0.63	1632	2067	36	2.80	3.0	346	438	9.5	1.85	0.29	3599	4559	20	0.90	1.7	617	782	5.4	0.80	0.33	3161	4004	23	1.00	1.9	535	678	6.8	0.90	0.38	2748	3481	24	1.15	2.2	477	604	7.0	1.00	0.28	3693	4678	3.8	0.85	2.4	424	537	7.1	1.10	0.30	3402	4309	20	0.95	2.8	372	471	7.2	1.30	0.35	2923	3702	23	1.10	3.7	282	357	7.4	1.70	0.43	2384	3019	25	1.30	4.1	252	319	7.4	1.90	0.49	2106	2668	26	1.50	3.6	283	359	7.4	1.70	0.58	1772	2245	26	1.80	4.0	256	324	7.4	1.85	0.65	1592	2016	27	2.00	4.5	229	290	7.5	2.10	0.76	1368	1733	27	2.30	5.0	207	262	7.5	2.30	0.43	2420	3065	25	1.30	5.3	194	246	7.5	2.45	0.48	2149	2722	26	1.50	6.0	174	220	7.5	2.75	0.57	1825	2311	26	1.75	2.3	452	572	2.4	0.80	0.63	1641	2078	26	1.95	2.6	403	510	4.9	0.80	0.72	1439	1823	27	2.20	3.0	344	436	5.3	0.90	0.83	1250	1583	27	2.55	3.2	322	408	5.3	1.00	0.94	1102	1396	27	2.90	3.8	272	344	5.5	1.15	1.1	970	1228	27	3.30	2.6	396	502	3.6	0.80	0.45	2278	2885	15	0.80	3.1	339	429	5.2	0.95	0.67	1555	1969	18	1.05	3.5	294	372	5.4	1.10	0.47	2196	2781	10	0.80	3.8	275	348	5.4	1.15	0.50	2057	2606	15	0.80	4.4	238	301	5.5	1.35	0.61	1688	2138	17	0.95	5.1	201	255	5.7	1.55	0.68	1530	1938	18	1.05	5.7	180	228	5.7	1.75	0.75	1374	1740	18	1.20	6.7	154	195	5.7	2.10	0.75	1377	1744	19	1.20	3.9	267	338	4.5	0.80	0.86	1208	1530	19	1.35	4.4	234	296	4.7	0.90	1.0	1033	1308	19	1.60	5.1	204	259	5.0	1.00	1.1	906	1148	19	1.80	5.7	180	228	5.1	1.15	1.5	702	889	19	2.35	6.6	157	199	5.3	1.35	1.7	616	780	19	2.65	7.6	136	172	5.4	1.55	1.9	543	688	19	3.00	4.0	259	328	4.3	0.80	2.2	474	601	19	3.50	4.5	228	289	4.7	0.90						4.9	209	265	4.9	1.00						5.8	178	226	5.2	1.20						6.5	159	202	5.3	1.30						7.3	141	179	5.4	1.50																						
0.18	5769	7307	70	2.40			0.20	5090	6447	70	2.70					0.24	4396	5568	70	3.20	GR139R79 GRF139R79	4P		1.1	962		1218	10	0.90	0.10	10201			12921	50	0.85	1.2	856	1084	10			1.00	0.11	9247			11712	52	0.90	1.4	742	940	11	1.15	0.12	8348	10573	54	1.00							1.6	648	821	11	1.35	0.15	6935	8784	55	1.20	1.8	577	731	12	1.50	0.18	5905	7479	56	1.45	2.0	510	646	12	1.70	0.20	5178	6559	57	1.65	2.5	411	520	12	2.10	0.22	4606	5834	57	1.85	2.9	356	451	12	2.45	0.26	4039	5116	57	2.10	3.1	333	422	12	2.60	0.17	5987	7583	27	0.80	3.6	288	365	12	3.00	0.19	5324	6743	30	0.85	1.4	755	956	5.7	0.85	0.22	4669	5914	31	1.00	1.5	703	891	7.1	0.90	0.25	4080	5168	33	1.10	1.8	576	730	8.2	1.10	0.30	3502	4435	34	1.30	2.0	508	644	8.7	1.25	0.34	3076	3896	35	1.50	2.3	451	571	9.0	1.40	0.43	2399	3039	35	1.90	2.7	384	486	9.3	1.65	0.33	3093	3918	34	1.45	1.6	660	836	7.6	0.95	0.39	2639	3343	35	1.70	1.7	592	750	8.4	1.05	0.43	2395	3034	35	1.90	2.0	510	646	8.7	1.25	0.49	2095	2653	35	2.15	2.3	453	574	9.0	1.40	0.57	1800	2280	35	2.50	2.6	391	495	9.3	1.60	0.63	1632	2067	36	2.80	3.0	346	438	9.5	1.85	0.29	3599	4559	20	0.90	1.7	617	782	5.4	0.80	0.33	3161	4004	23	1.00	1.9	535	678	6.8	0.90	0.38	2748	3481	24	1.15	2.2	477	604	7.0	1.00	0.28	3693	4678	3.8	0.85	2.4	424	537	7.1	1.10	0.30	3402	4309	20	0.95	2.8	372	471	7.2	1.30	0.35	2923	3702	23	1.10	3.7	282	357	7.4	1.70	0.43	2384	3019	25	1.30	4.1	252	319	7.4	1.90	0.49	2106	2668	26	1.50	3.6	283	359	7.4	1.70	0.58	1772	2245	26	1.80	4.0	256	324	7.4	1.85	0.65	1592	2016	27	2.00	4.5	229	290	7.5	2.10	0.76	1368	1733	27	2.30	5.0	207	262	7.5	2.30	0.43	2420	3065	25	1.30	5.3	194	246	7.5	2.45	0.48	2149	2722	26	1.50	6.0	174	220	7.5	2.75	0.57	1825	2311	26	1.75	2.3	452	572	2.4	0.80	0.63	1641	2078	26	1.95	2.6	403	510	4.9	0.80	0.72	1439	1823	27	2.20	3.0	344	436	5.3	0.90	0.83	1250	1583	27	2.55	3.2	322	408	5.3	1.00	0.94	1102	1396	27	2.90	3.8	272	344	5.5	1.15	1.1	970	1228	27	3.30	2.6	396	502	3.6	0.80	0.45	2278	2885	15	0.80	3.1	339	429	5.2	0.95	0.67	1555	1969	18	1.05	3.5	294	372	5.4	1.10	0.47	2196	2781	10	0.80	3.8	275	348	5.4	1.15	0.50	2057	2606	15	0.80	4.4	238	301	5.5	1.35	0.61	1688	2138	17	0.95	5.1	201	255	5.7	1.55	0.68	1530	1938	18	1.05	5.7	180	228	5.7	1.75	0.75	1374	1740	18	1.20	6.7	154	195	5.7	2.10	0.75	1377	1744	19	1.20	3.9	267	338	4.5	0.80	0.86	1208	1530	19	1.35	4.4	234	296	4.7	0.90	1.0	1033	1308	19	1.60	5.1	204	259	5.0	1.00	1.1	906	1148	19	1.80	5.7	180	228	5.1	1.15	1.5	702	889	19	2.35	6.6	157	199	5.3	1.35	1.7	616	780	19	2.65	7.6	136	172	5.4	1.55	1.9	543	688	19	3.00	4.0	259	328	4.3	0.80	2.2	474	601	19	3.50	4.5	228	289	4.7	0.90						4.9	209	265	4.9	1.00						5.8	178	226	5.2	1.20						6.5	159	202	5.3	1.30						7.3	141	179	5.4	1.50																													
0.20	5090	6447	70	2.70			0.24	4396	5568	70	3.20			GR139R79 GRF139R79	4P	1.1	962	1218	10	0.90			0.10	10201	12921	50	0.85	1.2	856	1084	10			1.00	0.11	9247	11712	52	0.90	1.4			742	940	11			1.15	0.12	8348	10573	54	1.00	1.6	648	821	11	1.35	0.15	6935							8784	55	1.20	1.8	577	731	12	1.50	0.18	5905	7479	56	1.45	2.0	510	646	12	1.70	0.20	5178	6559	57	1.65	2.5	411	520	12	2.10	0.22	4606	5834	57	1.85	2.9	356	451	12	2.45	0.26	4039	5116	57	2.10	3.1	333	422	12	2.60	0.17	5987	7583	27	0.80	3.6	288	365	12	3.00	0.19	5324	6743	30	0.85	1.4	755	956	5.7	0.85	0.22	4669	5914	31	1.00	1.5	703	891	7.1	0.90	0.25	4080	5168	33	1.10	1.8	576	730	8.2	1.10	0.30	3502	4435	34	1.30	2.0	508	644	8.7	1.25	0.34	3076	3896	35	1.50	2.3	451	571	9.0	1.40	0.43	2399	3039	35	1.90	2.7	384	486	9.3	1.65	0.33	3093	3918	34	1.45	1.6	660	836	7.6	0.95	0.39	2639	3343	35	1.70	1.7	592	750	8.4	1.05	0.43	2395	3034	35	1.90	2.0	510	646	8.7	1.25	0.49	2095	2653	35	2.15	2.3	453	574	9.0	1.40	0.57	1800	2280	35	2.50	2.6	391	495	9.3	1.60	0.63	1632	2067	36	2.80	3.0	346	438	9.5	1.85	0.29	3599	4559	20	0.90	1.7	617	782	5.4	0.80	0.33	3161	4004	23	1.00	1.9	535	678	6.8	0.90	0.38	2748	3481	24	1.15	2.2	477	604	7.0	1.00	0.28	3693	4678	3.8	0.85	2.4	424	537	7.1	1.10	0.30	3402	4309	20	0.95	2.8	372	471	7.2	1.30	0.35	2923	3702	23	1.10	3.7	282	357	7.4	1.70	0.43	2384	3019	25	1.30	4.1	252	319	7.4	1.90	0.49	2106	2668	26	1.50	3.6	283	359	7.4	1.70	0.58	1772	2245	26	1.80	4.0	256	324	7.4	1.85	0.65	1592	2016	27	2.00	4.5	229	290	7.5	2.10	0.76	1368	1733	27	2.30	5.0	207	262	7.5	2.30	0.43	2420	3065	25	1.30	5.3	194	246	7.5	2.45	0.48	2149	2722	26	1.50	6.0	174	220	7.5	2.75	0.57	1825	2311	26	1.75	2.3	452	572	2.4	0.80	0.63	1641	2078	26	1.95	2.6	403	510	4.9	0.80	0.72	1439	1823	27	2.20	3.0	344	436	5.3	0.90	0.83	1250	1583	27	2.55	3.2	322	408	5.3	1.00	0.94	1102	1396	27	2.90	3.8	272	344	5.5	1.15	1.1	970	1228	27	3.30	2.6	396	502	3.6	0.80	0.45	2278	2885	15	0.80	3.1	339	429	5.2	0.95	0.67	1555	1969	18	1.05	3.5	294	372	5.4	1.10	0.47	2196	2781	10	0.80	3.8	275	348	5.4	1.15	0.50	2057	2606	15	0.80	4.4	238	301	5.5	1.35	0.61	1688	2138	17	0.95	5.1	201	255	5.7	1.55	0.68	1530	1938	18	1.05	5.7	180	228	5.7	1.75	0.75	1374	1740	18	1.20	6.7	154	195	5.7	2.10	0.75	1377	1744	19	1.20	3.9	267	338	4.5	0.80	0.86	1208	1530	19	1.35	4.4	234	296	4.7	0.90	1.0	1033	1308	19	1.60	5.1	204	259	5.0	1.00	1.1	906	1148	19	1.80	5.7	180	228	5.1	1.15	1.5	702	889	19	2.35	6.6	157	199	5.3	1.35	1.7	616	780	19	2.65	7.6	136	172	5.4	1.55	1.9	543	688	19	3.00	4.0	259	328	4.3	0.80	2.2	474	601	19	3.50	4.5	228	289	4.7	0.90						4.9	209	265	4.9	1.00						5.8	178	226	5.2	1.20						6.5	159	202	5.3	1.30						7.3	141	179	5.4	1.50																																				
0.24	4396	5568	70	3.20	GR139R79 GRF139R79	4P	1.1	962	1218	10	0.90	0.10	10201			12921	50	0.85	1.2	856			1084	10	1.00	0.11	9247	11712	52	0.90	1.4			742	940	11	1.15	0.12	8348	10573			54	1.00	1.6			648	821	11	1.35	0.15	6935	8784	55	1.20	1.8	577	731	12							1.50	0.18	5905	7479	56	1.45	2.0	510	646	12	1.70	0.20	5178	6559	57	1.65	2.5	411	520	12	2.10	0.22	4606	5834	57	1.85	2.9	356	451	12	2.45	0.26	4039	5116	57	2.10	3.1	333	422	12	2.60	0.17	5987	7583	27	0.80	3.6	288	365	12	3.00	0.19	5324	6743	30	0.85	1.4	755	956	5.7	0.85	0.22	4669	5914	31	1.00	1.5	703	891	7.1	0.90	0.25	4080	5168	33	1.10	1.8	576	730	8.2	1.10	0.30	3502	4435	34	1.30	2.0	508	644	8.7	1.25	0.34	3076	3896	35	1.50	2.3	451	571	9.0	1.40	0.43	2399	3039	35	1.90	2.7	384	486	9.3	1.65	0.33	3093	3918	34	1.45	1.6	660	836	7.6	0.95	0.39	2639	3343	35	1.70	1.7	592	750	8.4	1.05	0.43	2395	3034	35	1.90	2.0	510	646	8.7	1.25	0.49	2095	2653	35	2.15	2.3	453	574	9.0	1.40	0.57	1800	2280	35	2.50	2.6	391	495	9.3	1.60	0.63	1632	2067	36	2.80	3.0	346	438	9.5	1.85	0.29	3599	4559	20	0.90	1.7	617	782	5.4	0.80	0.33	3161	4004	23	1.00	1.9	535	678	6.8	0.90	0.38	2748	3481	24	1.15	2.2	477	604	7.0	1.00	0.28	3693	4678	3.8	0.85	2.4	424	537	7.1	1.10	0.30	3402	4309	20	0.95	2.8	372	471	7.2	1.30	0.35	2923	3702	23	1.10	3.7	282	357	7.4	1.70	0.43	2384	3019	25	1.30	4.1	252	319	7.4	1.90	0.49	2106	2668	26	1.50	3.6	283	359	7.4	1.70	0.58	1772	2245	26	1.80	4.0	256	324	7.4	1.85	0.65	1592	2016	27	2.00	4.5	229	290	7.5	2.10	0.76	1368	1733	27	2.30	5.0	207	262	7.5	2.30	0.43	2420	3065	25	1.30	5.3	194	246	7.5	2.45	0.48	2149	2722	26	1.50	6.0	174	220	7.5	2.75	0.57	1825	2311	26	1.75	2.3	452	572	2.4	0.80	0.63	1641	2078	26	1.95	2.6	403	510	4.9	0.80	0.72	1439	1823	27	2.20	3.0	344	436	5.3	0.90	0.83	1250	1583	27	2.55	3.2	322	408	5.3	1.00	0.94	1102	1396	27	2.90	3.8	272	344	5.5	1.15	1.1	970	1228	27	3.30	2.6	396	502	3.6	0.80	0.45	2278	2885	15	0.80	3.1	339	429	5.2	0.95	0.67	1555	1969	18	1.05	3.5	294	372	5.4	1.10	0.47	2196	2781	10	0.80	3.8	275	348	5.4	1.15	0.50	2057	2606	15	0.80	4.4	238	301	5.5	1.35	0.61	1688	2138	17	0.95	5.1	201	255	5.7	1.55	0.68	1530	1938	18	1.05	5.7	180	228	5.7	1.75	0.75	1374	1740	18	1.20	6.7	154	195	5.7	2.10	0.75	1377	1744	19	1.20	3.9	267	338	4.5	0.80	0.86	1208	1530	19	1.35	4.4	234	296	4.7	0.90	1.0	1033	1308	19	1.60	5.1	204	259	5.0	1.00	1.1	906	1148	19	1.80	5.7	180	228	5.1	1.15	1.5	702	889	19	2.35	6.6	157	199	5.3	1.35	1.7	616	780	19	2.65	7.6	136	172	5.4	1.55	1.9	543	688	19	3.00	4.0	259	328	4.3	0.80	2.2	474	601	19	3.50	4.5	228	289	4.7	0.90						4.9	209	265	4.9	1.00						5.8	178	226	5.2	1.20						6.5	159	202	5.3	1.30						7.3	141	179	5.4	1.50																																											
0.10	10201	12921	50	0.85			1.2	856	1084	10	1.00	0.11	9247			11712	52	0.90	1.4	742			940	11	1.15	0.12	8348	10573	54	1.00	1.6			648	821	11	1.35	0.15	6935	8784			55	1.20	1.8			577	731	12	1.50	0.18	5905	7479	56	1.45	2.0	510	646	12			1.70	0.20			5178	6559	57	1.65	2.5	411	520	12	2.10	0.22	4606	5834	57	1.85	2.9	356	451	12	2.45	0.26	4039	5116	57	2.10	3.1	333	422	12	2.60	0.17	5987	7583	27	0.80	3.6	288	365	12	3.00	0.19	5324	6743	30	0.85	1.4	755	956	5.7	0.85	0.22	4669	5914	31	1.00	1.5	703	891	7.1	0.90	0.25	4080	5168	33	1.10	1.8	576	730	8.2	1.10	0.30	3502	4435	34	1.30	2.0	508	644	8.7	1.25	0.34	3076	3896	35	1.50	2.3	451	571	9.0	1.40	0.43	2399	3039	35	1.90	2.7	384	486	9.3	1.65	0.33	3093	3918	34	1.45	1.6	660	836	7.6	0.95	0.39	2639	3343	35	1.70	1.7	592	750	8.4	1.05	0.43	2395	3034	35	1.90	2.0	510	646	8.7	1.25	0.49	2095	2653	35	2.15	2.3	453	574	9.0	1.40	0.57	1800	2280	35	2.50	2.6	391	495	9.3	1.60	0.63	1632	2067	36	2.80	3.0	346	438	9.5	1.85	0.29	3599	4559	20	0.90	1.7	617	782	5.4	0.80	0.33	3161	4004	23	1.00	1.9	535	678	6.8	0.90	0.38	2748	3481	24	1.15	2.2	477	604	7.0	1.00	0.28	3693	4678	3.8	0.85	2.4	424	537	7.1	1.10	0.30	3402	4309	20	0.95	2.8	372	471	7.2	1.30	0.35	2923	3702	23	1.10	3.7	282	357	7.4	1.70	0.43	2384	3019	25	1.30	4.1	252	319	7.4	1.90	0.49	2106	2668	26	1.50	3.6	283	359	7.4	1.70	0.58	1772	2245	26	1.80	4.0	256	324	7.4	1.85	0.65	1592	2016	27	2.00	4.5	229	290	7.5	2.10	0.76	1368	1733	27	2.30	5.0	207	262	7.5	2.30	0.43	2420	3065	25	1.30	5.3	194	246	7.5	2.45	0.48	2149	2722	26	1.50	6.0	174	220	7.5	2.75	0.57	1825	2311	26	1.75	2.3	452	572	2.4	0.80	0.63	1641	2078	26	1.95	2.6	403	510	4.9	0.80	0.72	1439	1823	27	2.20	3.0	344	436	5.3	0.90	0.83	1250	1583	27	2.55	3.2	322	408	5.3	1.00	0.94	1102	1396	27	2.90	3.8	272	344	5.5	1.15	1.1	970	1228	27	3.30	2.6	396	502	3.6	0.80	0.45	2278	2885	15	0.80	3.1	339	429	5.2	0.95	0.67	1555	1969	18	1.05	3.5	294	372	5.4	1.10	0.47	2196	2781	10	0.80	3.8	275	348	5.4	1.15	0.50	2057	2606	15	0.80	4.4	238	301	5.5	1.35	0.61	1688	2138	17	0.95	5.1	201	255	5.7	1.55	0.68	1530	1938	18	1.05	5.7	180	228	5.7	1.75	0.75	1374	1740	18	1.20	6.7	154	195	5.7	2.10	0.75	1377	1744	19	1.20	3.9	267	338	4.5	0.80	0.86	1208	1530	19	1.35	4.4	234	296	4.7	0.90	1.0	1033	1308	19	1.60	5.1	204	259	5.0	1.00	1.1	906	1148	19	1.80	5.7	180	228	5.1	1.15	1.5	702	889	19	2.35	6.6	157	199	5.3	1.35	1.7	616	780	19	2.65	7.6	136	172	5.4	1.55	1.9	543	688	19	3.00	4.0	259	328	4.3	0.80	2.2	474	601	19	3.50	4.5	228	289	4.7	0.90						4.9	209	265	4.9	1.00						5.8	178	226	5.2	1.20						6.5	159	202	5.3	1.30						7.3	141	179	5.4	1.50																																																							
0.11	9247	11712	52	0.90			1.4	742	940	11	1.15	0.12	8348			10573	54	1.00	1.6	648			821	11	1.35	0.15	6935	8784	55	1.20	1.8			577	731	12	1.50	0.18	5905	7479			56	1.45	2.0			510	646	12	1.70	0.20	5178	6559	57	1.65	2.5	411	520	12		2.10	0.22	4606	5834		57	1.85	2.9	356	451	12	2.45	0.26	4039	5116	57	2.10	3.1	333	422	12	2.60	0.17	5987	7583	27	0.80	3.6	288	365	12	3.00	0.19	5324	6743	30	0.85	1.4	755	956	5.7	0.85	0.22	4669	5914	31	1.00	1.5	703	891	7.1	0.90	0.25	4080	5168	33	1.10	1.8	576	730	8.2	1.10	0.30	3502	4435	34	1.30	2.0	508	644	8.7	1.25	0.34	3076	3896	35	1.50	2.3	451	571	9.0	1.40	0.43	2399	3039	35	1.90	2.7	384	486	9.3	1.65	0.33	3093	3918	34	1.45	1.6	660	836	7.6	0.95	0.39	2639	3343	35	1.70	1.7	592	750	8.4	1.05	0.43	2395	3034	35	1.90	2.0	510	646	8.7	1.25	0.49	2095	2653	35	2.15	2.3	453	574	9.0	1.40	0.57	1800	2280	35	2.50	2.6	391	495	9.3	1.60	0.63	1632	2067	36	2.80	3.0	346	438	9.5	1.85	0.29	3599	4559	20	0.90	1.7	617	782	5.4	0.80	0.33	3161	4004	23	1.00	1.9	535	678	6.8	0.90	0.38	2748	3481	24	1.15	2.2	477	604	7.0	1.00	0.28	3693	4678	3.8	0.85	2.4	424	537	7.1	1.10	0.30	3402	4309	20	0.95	2.8	372	471	7.2	1.30	0.35	2923	3702	23	1.10	3.7	282	357	7.4	1.70	0.43	2384	3019	25	1.30	4.1	252	319	7.4	1.90	0.49	2106	2668	26	1.50	3.6	283	359	7.4	1.70	0.58	1772	2245	26	1.80	4.0	256	324	7.4	1.85	0.65	1592	2016	27	2.00	4.5	229	290	7.5	2.10	0.76	1368	1733	27	2.30	5.0	207	262	7.5	2.30	0.43	2420	3065	25	1.30	5.3	194	246	7.5	2.45	0.48	2149	2722	26	1.50	6.0	174	220	7.5	2.75	0.57	1825	2311	26	1.75	2.3	452	572	2.4	0.80	0.63	1641	2078	26	1.95	2.6	403	510	4.9	0.80	0.72	1439	1823	27	2.20	3.0	344	436	5.3	0.90	0.83	1250	1583	27	2.55	3.2	322	408	5.3	1.00	0.94	1102	1396	27	2.90	3.8	272	344	5.5	1.15	1.1	970	1228	27	3.30	2.6	396	502	3.6	0.80	0.45	2278	2885	15	0.80	3.1	339	429	5.2	0.95	0.67	1555	1969	18	1.05	3.5	294	372	5.4	1.10	0.47	2196	2781	10	0.80	3.8	275	348	5.4	1.15	0.50	2057	2606	15	0.80	4.4	238	301	5.5	1.35	0.61	1688	2138	17	0.95	5.1	201	255	5.7	1.55	0.68	1530	1938	18	1.05	5.7	180	228	5.7	1.75	0.75	1374	1740	18	1.20	6.7	154	195	5.7	2.10	0.75	1377	1744	19	1.20	3.9	267	338	4.5	0.80	0.86	1208	1530	19	1.35	4.4	234	296	4.7	0.90	1.0	1033	1308	19	1.60	5.1	204	259	5.0	1.00	1.1	906	1148	19	1.80	5.7	180	228	5.1	1.15	1.5	702	889	19	2.35	6.6	157	199	5.3	1.35	1.7	616	780	19	2.65	7.6	136	172	5.4	1.55	1.9	543	688	19	3.00	4.0	259	328	4.3	0.80	2.2	474	601	19	3.50	4.5	228	289	4.7	0.90						4.9	209	265	4.9	1.00						5.8	178	226	5.2	1.20						6.5	159	202	5.3	1.30						7.3	141	179	5.4	1.50																																																																			
0.12	8348	10573	54	1.00			1.6	648	821	11	1.35	0.15	6935			8784	55	1.20	1.8	577			731	12	1.50	0.18	5905	7479	56	1.45	2.0			510	646	12	1.70	0.20	5178	6559			57	1.65	2.5			411	520	12	2.10	0.22	4606	5834	57	1.85	2.9	356	451	12	2.45	0.26	4039	5116	57	2.10	3.1	333	422	12	2.60	0.17	5987	7583	27	0.80	3.6	288	365	12	3.00	0.19	5324	6743	30	0.85	1.4	755	956	5.7	0.85	0.22	4669	5914	31	1.00	1.5	703	891	7.1	0.90	0.25	4080	5168	33	1.10	1.8	576	730	8.2	1.10	0.30	3502	4435	34	1.30	2.0	508	644	8.7	1.25	0.34	3076	3896	35	1.50	2.3	451	571	9.0	1.40	0.43	2399	3039	35	1.90	2.7	384	486	9.3	1.65	0.33	3093	3918	34	1.45	1.6	660	836	7.6	0.95	0.39	2639	3343	35	1.70	1.7	592	750	8.4	1.05	0.43	2395	3034	35	1.90	2.0	510	646	8.7	1.25	0.49	2095	2653	35	2.15	2.3	453	574	9.0	1.40	0.57	1800	2280	35	2.50	2.6	391	495	9.3	1.60	0.63	1632	2067	36	2.80	3.0	346	438	9.5	1.85	0.29	3599	4559	20	0.90	1.7	617	782	5.4	0.80	0.33	3161	4004	23	1.00	1.9	535	678	6.8	0.90	0.38	2748	3481	24	1.15	2.2	477	604	7.0	1.00	0.28	3693	4678	3.8	0.85	2.4	424	537	7.1	1.10	0.30	3402	4309	20	0.95	2.8	372	471	7.2	1.30	0.35	2923	3702	23	1.10	3.7	282	357	7.4	1.70	0.43	2384	3019	25	1.30	4.1	252	319	7.4	1.90	0.49	2106	2668	26	1.50	3.6	283	359	7.4	1.70	0.58	1772	2245	26	1.80	4.0	256	324	7.4	1.85	0.65	1592	2016	27	2.00	4.5	229	290	7.5	2.10	0.76	1368	1733	27	2.30	5.0	207	262	7.5	2.30	0.43	2420	3065	25	1.30	5.3	194	246	7.5	2.45	0.48	2149	2722	26	1.50	6.0	174	220	7.5	2.75	0.57	1825	2311	26	1.75	2.3	452	572	2.4	0.80	0.63	1641	2078	26	1.95	2.6	403	510	4.9	0.80	0.72	1439	1823	27	2.20	3.0	344	436	5.3	0.90	0.83	1250	1583	27	2.55	3.2	322	408	5.3	1.00	0.94	1102	1396	27	2.90	3.8	272	344	5.5	1.15	1.1	970	1228	27	3.30	2.6	396	502	3.6	0.80	0.45	2278	2885	15	0.80	3.1	339	429	5.2	0.95	0.67	1555	1969	18	1.05	3.5	294	372	5.4	1.10	0.47	2196	2781	10	0.80	3.8	275	348	5.4	1.15	0.50	2057	2606	15	0.80	4.4	238	301	5.5	1.35	0.61	1688	2138	17	0.95	5.1	201	255	5.7	1.55	0.68	1530	1938	18	1.05	5.7	180	228	5.7	1.75	0.75	1374	1740	18	1.20	6.7	154	195	5.7	2.10	0.75	1377	1744	19	1.20	3.9	267	338	4.5	0.80	0.86	1208	1530	19	1.35	4.4	234	296	4.7	0.90	1.0	1033	1308	19	1.60	5.1	204	259	5.0	1.00	1.1	906	1148	19	1.80	5.7	180	228	5.1	1.15	1.5	702	889	19	2.35	6.6	157	199	5.3	1.35	1.7	616	780	19	2.65	7.6	136	172	5.4	1.55	1.9	543	688	19	3.00	4.0	259	328	4.3	0.80	2.2	474	601	19	3.50	4.5	228	289	4.7	0.90						4.9	209	265	4.9	1.00						5.8	178	226	5.2	1.20						6.5	159	202	5.3	1.30						7.3	141	179	5.4	1.50																																																																															
0.15	6935	8784	55	1.20			1.8	577	731	12	1.50	0.18	5905			7479	56	1.45	2.0	510			646	12	1.70	0.20	5178	6559	57	1.65	2.5			411	520	12	2.10	0.22	4606	5834			57	1.85	2.9			356	451	12	2.45	0.26	4039	5116	57	2.10	3.1	333	422	12	2.60	0.17	5987	7583	27	0.80	3.6	288	365	12	3.00	0.19	5324	6743	30	0.85	1.4	755	956	5.7	0.85	0.22	4669	5914	31	1.00	1.5	703	891	7.1	0.90	0.25	4080	5168	33	1.10	1.8	576	730	8.2	1.10	0.30	3502	4435	34	1.30	2.0	508	644	8.7	1.25	0.34	3076	3896	35	1.50	2.3	451	571	9.0	1.40	0.43	2399	3039	35	1.90	2.7	384	486	9.3	1.65	0.33	3093	3918	34	1.45	1.6	660	836	7.6	0.95	0.39	2639	3343	35	1.70	1.7	592	750	8.4	1.05	0.43	2395	3034	35	1.90	2.0	510	646	8.7	1.25	0.49	2095	2653	35	2.15	2.3	453	574	9.0	1.40	0.57	1800	2280	35	2.50	2.6	391	495	9.3	1.60	0.63	1632	2067	36	2.80	3.0	346	438	9.5	1.85	0.29	3599	4559	20	0.90	1.7	617	782	5.4	0.80	0.33	3161	4004	23	1.00	1.9	535	678	6.8	0.90	0.38	2748	3481	24	1.15	2.2	477	604	7.0	1.00	0.28	3693	4678	3.8	0.85	2.4	424	537	7.1	1.10	0.30	3402	4309	20	0.95	2.8	372	471	7.2	1.30	0.35	2923	3702	23	1.10	3.7	282	357	7.4	1.70	0.43	2384	3019	25	1.30	4.1	252	319	7.4	1.90	0.49	2106	2668	26	1.50	3.6	283	359	7.4	1.70	0.58	1772	2245	26	1.80	4.0	256	324	7.4	1.85	0.65	1592	2016	27	2.00	4.5	229	290	7.5	2.10	0.76	1368	1733	27	2.30	5.0	207	262	7.5	2.30	0.43	2420	3065	25	1.30	5.3	194	246	7.5	2.45	0.48	2149	2722	26	1.50	6.0	174	220	7.5	2.75	0.57	1825	2311	26	1.75	2.3	452	572	2.4	0.80	0.63	1641	2078	26	1.95	2.6	403	510	4.9	0.80	0.72	1439	1823	27	2.20	3.0	344	436	5.3	0.90	0.83	1250	1583	27	2.55	3.2	322	408	5.3	1.00	0.94	1102	1396	27	2.90	3.8	272	344	5.5	1.15	1.1	970	1228	27	3.30	2.6	396	502	3.6	0.80	0.45	2278	2885	15	0.80	3.1	339	429	5.2	0.95	0.67	1555	1969	18	1.05	3.5	294	372	5.4	1.10	0.47	2196	2781	10	0.80	3.8	275	348	5.4	1.15	0.50	2057	2606	15	0.80	4.4	238	301	5.5	1.35	0.61	1688	2138	17	0.95	5.1	201	255	5.7	1.55	0.68	1530	1938	18	1.05	5.7	180	228	5.7	1.75	0.75	1374	1740	18	1.20	6.7	154	195	5.7	2.10	0.75	1377	1744	19	1.20	3.9	267	338	4.5	0.80	0.86	1208	1530	19	1.35	4.4	234	296	4.7	0.90	1.0	1033	1308	19	1.60	5.1	204	259	5.0	1.00	1.1	906	1148	19	1.80	5.7	180	228	5.1	1.15	1.5	702	889	19	2.35	6.6	157	199	5.3	1.35	1.7	616	780	19	2.65	7.6	136	172	5.4	1.55	1.9	543	688	19	3.00	4.0	259	328	4.3	0.80	2.2	474	601	19	3.50	4.5	228	289	4.7	0.90						4.9	209	265	4.9	1.00						5.8	178	226	5.2	1.20						6.5	159	202	5.3	1.30						7.3	141	179	5.4	1.50																																																																																									
0.18	5905	7479	56	1.45			2.0	510	646	12	1.70	0.20	5178			6559	57	1.65	2.5	411			520	12	2.10	0.22	4606	5834	57	1.85	2.9			356	451	12	2.45	0.26	4039	5116			57	2.10	3.1	333	422	12	2.60	0.17	5987	7583	27	0.80	3.6	288	365	12	3.00	0.19	5324	6743	30	0.85	1.4	755	956	5.7	0.85	0.22	4669	5914	31	1.00	1.5	703	891	7.1	0.90	0.25	4080	5168	33	1.10	1.8	576	730	8.2	1.10	0.30	3502	4435	34	1.30	2.0	508	644	8.7	1.25	0.34	3076	3896	35	1.50	2.3	451	571	9.0	1.40	0.43	2399	3039	35	1.90	2.7	384	486	9.3	1.65	0.33	3093	3918	34	1.45	1.6	660	836	7.6	0.95	0.39	2639	3343	35	1.70	1.7	592	750	8.4	1.05	0.43	2395	3034	35	1.90	2.0	510	646	8.7	1.25	0.49	2095	2653	35	2.15	2.3	453	574	9.0	1.40	0.57	1800	2280	35	2.50	2.6	391	495	9.3	1.60	0.63	1632	2067	36	2.80	3.0	346	438	9.5	1.85	0.29	3599	4559	20	0.90	1.7	617	782	5.4	0.80	0.33	3161	4004	23	1.00	1.9	535	678	6.8	0.90	0.38	2748	3481	24	1.15	2.2	477	604	7.0	1.00	0.28	3693	4678	3.8	0.85	2.4	424	537	7.1	1.10	0.30	3402	4309	20	0.95	2.8	372	471	7.2	1.30	0.35	2923	3702	23	1.10	3.7	282	357	7.4	1.70	0.43	2384	3019	25	1.30	4.1	252	319	7.4	1.90	0.49	2106	2668	26	1.50	3.6	283	359	7.4	1.70	0.58	1772	2245	26	1.80	4.0	256	324	7.4	1.85	0.65	1592	2016	27	2.00	4.5	229	290	7.5	2.10	0.76	1368	1733	27	2.30	5.0	207	262	7.5	2.30	0.43	2420	3065	25	1.30	5.3	194	246	7.5	2.45	0.48	2149	2722	26	1.50	6.0	174	220	7.5	2.75	0.57	1825	2311	26	1.75	2.3	452	572	2.4	0.80	0.63	1641	2078	26	1.95	2.6	403	510	4.9	0.80	0.72	1439	1823	27	2.20	3.0	344	436	5.3	0.90	0.83	1250	1583	27	2.55	3.2	322	408	5.3	1.00	0.94	1102	1396	27	2.90	3.8	272	344	5.5	1.15	1.1	970	1228	27	3.30	2.6	396	502	3.6	0.80	0.45	2278	2885	15	0.80	3.1	339	429	5.2	0.95	0.67	1555	1969	18	1.05	3.5	294	372	5.4	1.10	0.47	2196	2781	10	0.80	3.8	275	348	5.4	1.15	0.50	2057	2606	15	0.80	4.4	238	301	5.5	1.35	0.61	1688	2138	17	0.95	5.1	201	255	5.7	1.55	0.68	1530	1938	18	1.05	5.7	180	228	5.7	1.75	0.75	1374	1740	18	1.20	6.7	154	195	5.7	2.10	0.75	1377	1744	19	1.20	3.9	267	338	4.5	0.80	0.86	1208	1530	19	1.35	4.4	234	296	4.7	0.90	1.0	1033	1308	19	1.60	5.1	204	259	5.0	1.00	1.1	906	1148	19	1.80	5.7	180	228	5.1	1.15	1.5	702	889	19	2.35	6.6	157	199	5.3	1.35	1.7	616	780	19	2.65	7.6	136	172	5.4	1.55	1.9	543	688	19	3.00	4.0	259	328	4.3	0.80	2.2	474	601	19	3.50	4.5	228	289	4.7	0.90						4.9	209	265	4.9	1.00						5.8	178	226	5.2	1.20						6.5	159	202	5.3	1.30						7.3	141	179	5.4	1.50																																																																																																					
0.20	5178	6559	57	1.65			2.5	411	520	12	2.10	0.22	4606			5834	57	1.85	2.9	356			451	12	2.45	0.26	4039	5116	57	2.10	3.1			333	422	12	2.60	0.17	5987	7583	27	0.80	3.6	288	365	12	3.00	0.19	5324	6743	30	0.85	1.4	755	956	5.7	0.85	0.22	4669	5914	31	1.00	1.5	703	891	7.1	0.90	0.25	4080	5168	33	1.10	1.8	576	730	8.2	1.10	0.30	3502	4435	34	1.30	2.0	508	644	8.7	1.25	0.34	3076	3896	35	1.50	2.3	451	571	9.0	1.40	0.43	2399	3039	35	1.90	2.7	384	486	9.3	1.65	0.33	3093	3918	34	1.45	1.6	660	836	7.6	0.95	0.39	2639	3343	35	1.70	1.7	592	750	8.4	1.05	0.43	2395	3034	35	1.90	2.0	510	646	8.7	1.25	0.49	2095	2653	35	2.15	2.3	453	574	9.0	1.40	0.57	1800	2280	35	2.50	2.6	391	495	9.3	1.60	0.63	1632	2067	36	2.80	3.0	346	438	9.5	1.85	0.29	3599	4559	20	0.90	1.7	617	782	5.4	0.80	0.33	3161	4004	23	1.00	1.9	535	678	6.8	0.90	0.38	2748	3481	24	1.15	2.2	477	604	7.0	1.00	0.28	3693	4678	3.8	0.85	2.4	424	537	7.1	1.10	0.30	3402	4309	20	0.95	2.8	372	471	7.2	1.30	0.35	2923	3702	23	1.10	3.7	282	357	7.4	1.70	0.43	2384	3019	25	1.30	4.1	252	319	7.4	1.90	0.49	2106	2668	26	1.50	3.6	283	359	7.4	1.70	0.58	1772	2245	26	1.80	4.0	256	324	7.4	1.85	0.65	1592	2016	27	2.00	4.5	229	290	7.5	2.10	0.76	1368	1733	27	2.30	5.0	207	262	7.5	2.30	0.43	2420	3065	25	1.30	5.3	194	246	7.5	2.45	0.48	2149	2722	26	1.50	6.0	174	220	7.5	2.75	0.57	1825	2311	26	1.75	2.3	452	572	2.4	0.80	0.63	1641	2078	26	1.95	2.6	403	510	4.9	0.80	0.72	1439	1823	27	2.20	3.0	344	436	5.3	0.90	0.83	1250	1583	27	2.55	3.2	322	408	5.3	1.00	0.94	1102	1396	27	2.90	3.8	272	344	5.5	1.15	1.1	970	1228	27	3.30	2.6	396	502	3.6	0.80	0.45	2278	2885	15	0.80	3.1	339	429	5.2	0.95	0.67	1555	1969	18	1.05	3.5	294	372	5.4	1.10	0.47	2196	2781	10	0.80	3.8	275	348	5.4	1.15	0.50	2057	2606	15	0.80	4.4	238	301	5.5	1.35	0.61	1688	2138	17	0.95	5.1	201	255	5.7	1.55	0.68	1530	1938	18	1.05	5.7	180	228	5.7	1.75	0.75	1374	1740	18	1.20	6.7	154	195	5.7	2.10	0.75	1377	1744	19	1.20	3.9	267	338	4.5	0.80	0.86	1208	1530	19	1.35	4.4	234	296	4.7	0.90	1.0	1033	1308	19	1.60	5.1	204	259	5.0	1.00	1.1	906	1148	19	1.80	5.7	180	228	5.1	1.15	1.5	702	889	19	2.35	6.6	157	199	5.3	1.35	1.7	616	780	19	2.65	7.6	136	172	5.4	1.55	1.9	543	688	19	3.00	4.0	259	328	4.3	0.80	2.2	474	601	19	3.50	4.5	228	289	4.7	0.90						4.9	209	265	4.9	1.00						5.8	178	226	5.2	1.20						6.5	159	202	5.3	1.30						7.3	141	179	5.4	1.50																																																																																																																	
0.22	4606	5834	57	1.85			2.9	356	451	12	2.45	0.26	4039			5116	57	2.10	3.1	333			422	12	2.60	0.17	5987	7583	27	0.80	3.6	288	365	12	3.00	0.19	5324	6743	30	0.85	1.4	755	956	5.7	0.85	0.22	4669	5914	31	1.00	1.5	703	891	7.1	0.90	0.25	4080	5168	33	1.10	1.8	576	730	8.2	1.10	0.30	3502	4435	34	1.30	2.0	508	644	8.7	1.25	0.34	3076	3896	35	1.50	2.3	451	571	9.0	1.40	0.43	2399	3039	35	1.90	2.7	384	486	9.3	1.65	0.33	3093	3918	34	1.45	1.6	660	836	7.6	0.95	0.39	2639	3343	35	1.70	1.7	592	750	8.4	1.05	0.43	2395	3034	35	1.90	2.0	510	646	8.7	1.25	0.49	2095	2653	35	2.15	2.3	453	574	9.0	1.40	0.57	1800	2280	35	2.50	2.6	391	495	9.3	1.60	0.63	1632	2067	36	2.80	3.0	346	438	9.5	1.85	0.29	3599	4559	20	0.90	1.7	617	782	5.4	0.80	0.33	3161	4004	23	1.00	1.9	535	678	6.8	0.90	0.38	2748	3481	24	1.15	2.2	477	604	7.0	1.00	0.28	3693	4678	3.8	0.85	2.4	424	537	7.1	1.10	0.30	3402	4309	20	0.95	2.8	372	471	7.2	1.30	0.35	2923	3702	23	1.10	3.7	282	357	7.4	1.70	0.43	2384	3019	25	1.30	4.1	252	319	7.4	1.90	0.49	2106	2668	26	1.50	3.6	283	359	7.4	1.70	0.58	1772	2245	26	1.80	4.0	256	324	7.4	1.85	0.65	1592	2016	27	2.00	4.5	229	290	7.5	2.10	0.76	1368	1733	27	2.30	5.0	207	262	7.5	2.30	0.43	2420	3065	25	1.30	5.3	194	246	7.5	2.45	0.48	2149	2722	26	1.50	6.0	174	220	7.5	2.75	0.57	1825	2311	26	1.75	2.3	452	572	2.4	0.80	0.63	1641	2078	26	1.95	2.6	403	510	4.9	0.80	0.72	1439	1823	27	2.20	3.0	344	436	5.3	0.90	0.83	1250	1583	27	2.55	3.2	322	408	5.3	1.00	0.94	1102	1396	27	2.90	3.8	272	344	5.5	1.15	1.1	970	1228	27	3.30	2.6	396	502	3.6	0.80	0.45	2278	2885	15	0.80	3.1	339	429	5.2	0.95	0.67	1555	1969	18	1.05	3.5	294	372	5.4	1.10	0.47	2196	2781	10	0.80	3.8	275	348	5.4	1.15	0.50	2057	2606	15	0.80	4.4	238	301	5.5	1.35	0.61	1688	2138	17	0.95	5.1	201	255	5.7	1.55	0.68	1530	1938	18	1.05	5.7	180	228	5.7	1.75	0.75	1374	1740	18	1.20	6.7	154	195	5.7	2.10	0.75	1377	1744	19	1.20	3.9	267	338	4.5	0.80	0.86	1208	1530	19	1.35	4.4	234	296	4.7	0.90	1.0	1033	1308	19	1.60	5.1	204	259	5.0	1.00	1.1	906	1148	19	1.80	5.7	180	228	5.1	1.15	1.5	702	889	19	2.35	6.6	157	199	5.3	1.35	1.7	616	780	19	2.65	7.6	136	172	5.4	1.55	1.9	543	688	19	3.00	4.0	259	328	4.3	0.80	2.2	474	601	19	3.50	4.5	228	289	4.7	0.90						4.9	209	265	4.9	1.00						5.8	178	226	5.2	1.20						6.5	159	202	5.3	1.30						7.3	141	179	5.4	1.50																																																																																																																													
0.26	4039	5116	57	2.10			3.1	333	422	12	2.60	0.17	5987			7583	27	0.80	3.6	288	365	12	3.00	0.19	5324	6743	30	0.85	1.4	755	956	5.7	0.85	0.22	4669	5914	31	1.00	1.5	703	891	7.1	0.90	0.25	4080	5168	33	1.10	1.8	576	730	8.2	1.10	0.30	3502	4435	34	1.30	2.0	508	644	8.7	1.25	0.34	3076	3896	35	1.50	2.3	451	571	9.0	1.40	0.43	2399	3039	35	1.90	2.7	384	486	9.3	1.65	0.33	3093	3918	34	1.45	1.6	660	836	7.6	0.95	0.39	2639	3343	35	1.70	1.7	592	750	8.4	1.05	0.43	2395	3034	35	1.90	2.0	510	646	8.7	1.25	0.49	2095	2653	35	2.15	2.3	453	574	9.0	1.40	0.57	1800	2280	35	2.50	2.6	391	495	9.3	1.60	0.63	1632	2067	36	2.80	3.0	346	438	9.5	1.85	0.29	3599	4559	20	0.90	1.7	617	782	5.4	0.80	0.33	3161	4004	23	1.00	1.9	535	678	6.8	0.90	0.38	2748	3481	24	1.15	2.2	477	604	7.0	1.00	0.28	3693	4678	3.8	0.85	2.4	424	537	7.1	1.10	0.30	3402	4309	20	0.95	2.8	372	471	7.2	1.30	0.35	2923	3702	23	1.10	3.7	282	357	7.4	1.70	0.43	2384	3019	25	1.30	4.1	252	319	7.4	1.90	0.49	2106	2668	26	1.50	3.6	283	359	7.4	1.70	0.58	1772	2245	26	1.80	4.0	256	324	7.4	1.85	0.65	1592	2016	27	2.00	4.5	229	290	7.5	2.10	0.76	1368	1733	27	2.30	5.0	207	262	7.5	2.30	0.43	2420	3065	25	1.30	5.3	194	246	7.5	2.45	0.48	2149	2722	26	1.50	6.0	174	220	7.5	2.75	0.57	1825	2311	26	1.75	2.3	452	572	2.4	0.80	0.63	1641	2078	26	1.95	2.6	403	510	4.9	0.80	0.72	1439	1823	27	2.20	3.0	344	436	5.3	0.90	0.83	1250	1583	27	2.55	3.2	322	408	5.3	1.00	0.94	1102	1396	27	2.90	3.8	272	344	5.5	1.15	1.1	970	1228	27	3.30	2.6	396	502	3.6	0.80	0.45	2278	2885	15	0.80	3.1	339	429	5.2	0.95	0.67	1555	1969	18	1.05	3.5	294	372	5.4	1.10	0.47	2196	2781	10	0.80	3.8	275	348	5.4	1.15	0.50	2057	2606	15	0.80	4.4	238	301	5.5	1.35	0.61	1688	2138	17	0.95	5.1	201	255	5.7	1.55	0.68	1530	1938	18	1.05	5.7	180	228	5.7	1.75	0.75	1374	1740	18	1.20	6.7	154	195	5.7	2.10	0.75	1377	1744	19	1.20	3.9	267	338	4.5	0.80	0.86	1208	1530	19	1.35	4.4	234	296	4.7	0.90	1.0	1033	1308	19	1.60	5.1	204	259	5.0	1.00	1.1	906	1148	19	1.80	5.7	180	228	5.1	1.15	1.5	702	889	19	2.35	6.6	157	199	5.3	1.35	1.7	616	780	19	2.65	7.6	136	172	5.4	1.55	1.9	543	688	19	3.00	4.0	259	328	4.3	0.80	2.2	474	601	19	3.50	4.5	228	289	4.7	0.90						4.9	209	265	4.9	1.00						5.8	178	226	5.2	1.20						6.5	159	202	5.3	1.30						7.3	141	179	5.4	1.50																																																																																																																																									
0.17	5987	7583	27	0.80			3.6	288	365	12	3.00	0.19	5324	6743	30	0.85	1.4	755	956	5.7	0.85	0.22	4669	5914	31	1.00	1.5	703	891	7.1	0.90	0.25	4080	5168	33	1.10	1.8	576	730	8.2	1.10	0.30	3502	4435	34	1.30	2.0	508	644	8.7	1.25	0.34	3076	3896	35	1.50	2.3	451	571	9.0	1.40	0.43	2399	3039	35	1.90	2.7	384	486	9.3	1.65	0.33	3093	3918	34	1.45	1.6	660	836	7.6	0.95	0.39	2639	3343	35	1.70	1.7	592	750	8.4	1.05	0.43	2395	3034	35	1.90	2.0	510	646	8.7	1.25	0.49	2095	2653	35	2.15	2.3	453	574	9.0	1.40	0.57	1800	2280	35	2.50	2.6	391	495	9.3	1.60	0.63	1632	2067	36	2.80	3.0	346	438	9.5	1.85	0.29	3599	4559	20	0.90	1.7	617	782	5.4	0.80	0.33	3161	4004	23	1.00	1.9	535	678	6.8	0.90	0.38	2748	3481	24	1.15	2.2	477	604	7.0	1.00	0.28	3693	4678	3.8	0.85	2.4	424	537	7.1	1.10	0.30	3402	4309	20	0.95	2.8	372	471	7.2	1.30	0.35	2923	3702	23	1.10	3.7	282	357	7.4	1.70	0.43	2384	3019	25	1.30	4.1	252	319	7.4	1.90	0.49	2106	2668	26	1.50	3.6	283	359	7.4	1.70	0.58	1772	2245	26	1.80	4.0	256	324	7.4	1.85	0.65	1592	2016	27	2.00	4.5	229	290	7.5	2.10	0.76	1368	1733	27	2.30	5.0	207	262	7.5	2.30	0.43	2420	3065	25	1.30	5.3	194	246	7.5	2.45	0.48	2149	2722	26	1.50	6.0	174	220	7.5	2.75	0.57	1825	2311	26	1.75	2.3	452	572	2.4	0.80	0.63	1641	2078	26	1.95	2.6	403	510	4.9	0.80	0.72	1439	1823	27	2.20	3.0	344	436	5.3	0.90	0.83	1250	1583	27	2.55	3.2	322	408	5.3	1.00	0.94	1102	1396	27	2.90	3.8	272	344	5.5	1.15	1.1	970	1228	27	3.30	2.6	396	502	3.6	0.80	0.45	2278	2885	15	0.80	3.1	339	429	5.2	0.95	0.67	1555	1969	18	1.05	3.5	294	372	5.4	1.10	0.47	2196	2781	10	0.80	3.8	275	348	5.4	1.15	0.50	2057	2606	15	0.80	4.4	238	301	5.5	1.35	0.61	1688	2138	17	0.95	5.1	201	255	5.7	1.55	0.68	1530	1938	18	1.05	5.7	180	228	5.7	1.75	0.75	1374	1740	18	1.20	6.7	154	195	5.7	2.10	0.75	1377	1744	19	1.20	3.9	267	338	4.5	0.80	0.86	1208	1530	19	1.35	4.4	234	296	4.7	0.90	1.0	1033	1308	19	1.60	5.1	204	259	5.0	1.00	1.1	906	1148	19	1.80	5.7	180	228	5.1	1.15	1.5	702	889	19	2.35	6.6	157	199	5.3	1.35	1.7	616	780	19	2.65	7.6	136	172	5.4	1.55	1.9	543	688	19	3.00	4.0	259	328	4.3	0.80	2.2	474	601	19	3.50	4.5	228	289	4.7	0.90						4.9	209	265	4.9	1.00						5.8	178	226	5.2	1.20						6.5	159	202	5.3	1.30						7.3	141	179	5.4	1.50																																																																																																																																																					
0.19	5324	6743	30	0.85	1.4	755	956	5.7	0.85	0.22	4669	5914	31	1.00	1.5	703	891	7.1	0.90	0.25	4080	5168	33	1.10	1.8	576	730	8.2	1.10	0.30	3502	4435	34	1.30	2.0	508	644	8.7	1.25	0.34	3076	3896	35	1.50	2.3	451	571	9.0	1.40	0.43	2399	3039	35	1.90	2.7	384	486	9.3	1.65	0.33	3093	3918	34	1.45	1.6	660	836	7.6	0.95	0.39	2639	3343	35	1.70	1.7	592	750	8.4	1.05	0.43	2395	3034	35	1.90	2.0	510	646	8.7	1.25	0.49	2095	2653	35	2.15	2.3	453	574	9.0	1.40	0.57	1800	2280	35	2.50	2.6	391	495	9.3	1.60	0.63	1632	2067	36	2.80	3.0	346	438	9.5	1.85	0.29	3599	4559	20	0.90	1.7	617	782	5.4	0.80	0.33	3161	4004	23	1.00	1.9	535	678	6.8	0.90	0.38	2748	3481	24	1.15	2.2	477	604	7.0	1.00	0.28	3693	4678	3.8	0.85	2.4	424	537	7.1	1.10	0.30	3402	4309	20	0.95	2.8	372	471	7.2	1.30	0.35	2923	3702	23	1.10	3.7	282	357	7.4	1.70	0.43	2384	3019	25	1.30	4.1	252	319	7.4	1.90	0.49	2106	2668	26	1.50	3.6	283	359	7.4	1.70	0.58	1772	2245	26	1.80	4.0	256	324	7.4	1.85	0.65	1592	2016	27	2.00	4.5	229	290	7.5	2.10	0.76	1368	1733	27	2.30	5.0	207	262	7.5	2.30	0.43	2420	3065	25	1.30	5.3	194	246	7.5	2.45	0.48	2149	2722	26	1.50	6.0	174	220	7.5	2.75	0.57	1825	2311	26	1.75	2.3	452	572	2.4	0.80	0.63	1641	2078	26	1.95	2.6	403	510	4.9	0.80	0.72	1439	1823	27	2.20	3.0	344	436	5.3	0.90	0.83	1250	1583	27	2.55	3.2	322	408	5.3	1.00	0.94	1102	1396	27	2.90	3.8	272	344	5.5	1.15	1.1	970	1228	27	3.30	2.6	396	502	3.6	0.80	0.45	2278	2885	15	0.80	3.1	339	429	5.2	0.95	0.67	1555	1969	18	1.05	3.5	294	372	5.4	1.10	0.47	2196	2781	10	0.80	3.8	275	348	5.4	1.15	0.50	2057	2606	15	0.80	4.4	238	301	5.5	1.35	0.61	1688	2138	17	0.95	5.1	201	255	5.7	1.55	0.68	1530	1938	18	1.05	5.7	180	228	5.7	1.75	0.75	1374	1740	18	1.20	6.7	154	195	5.7	2.10	0.75	1377	1744	19	1.20	3.9	267	338	4.5	0.80	0.86	1208	1530	19	1.35	4.4	234	296	4.7	0.90	1.0	1033	1308	19	1.60	5.1	204	259	5.0	1.00	1.1	906	1148	19	1.80	5.7	180	228	5.1	1.15	1.5	702	889	19	2.35	6.6	157	199	5.3	1.35	1.7	616	780	19	2.65	7.6	136	172	5.4	1.55	1.9	543	688	19	3.00	4.0	259	328	4.3	0.80	2.2	474	601	19	3.50	4.5	228	289	4.7	0.90						4.9	209	265	4.9	1.00						5.8	178	226	5.2	1.20						6.5	159	202	5.3	1.30						7.3	141	179	5.4	1.50																																																																																																																																																																	
0.22	4669	5914	31	1.00	1.5	703	891	7.1	0.90	0.25	4080	5168	33	1.10	1.8	576	730	8.2	1.10	0.30	3502	4435	34	1.30	2.0	508	644	8.7	1.25	0.34	3076	3896	35	1.50	2.3	451	571	9.0	1.40	0.43	2399	3039	35	1.90	2.7	384	486	9.3	1.65	0.33	3093	3918	34	1.45	1.6	660	836	7.6	0.95	0.39	2639	3343	35	1.70	1.7	592	750	8.4	1.05	0.43	2395	3034	35	1.90	2.0	510	646	8.7	1.25	0.49	2095	2653	35	2.15	2.3	453	574	9.0	1.40	0.57	1800	2280	35	2.50	2.6	391	495	9.3	1.60	0.63	1632	2067	36	2.80	3.0	346	438	9.5	1.85	0.29	3599	4559	20	0.90	1.7	617	782	5.4	0.80	0.33	3161	4004	23	1.00	1.9	535	678	6.8	0.90	0.38	2748	3481	24	1.15	2.2	477	604	7.0	1.00	0.28	3693	4678	3.8	0.85	2.4	424	537	7.1	1.10	0.30	3402	4309	20	0.95	2.8	372	471	7.2	1.30	0.35	2923	3702	23	1.10	3.7	282	357	7.4	1.70	0.43	2384	3019	25	1.30	4.1	252	319	7.4	1.90	0.49	2106	2668	26	1.50	3.6	283	359	7.4	1.70	0.58	1772	2245	26	1.80	4.0	256	324	7.4	1.85	0.65	1592	2016	27	2.00	4.5	229	290	7.5	2.10	0.76	1368	1733	27	2.30	5.0	207	262	7.5	2.30	0.43	2420	3065	25	1.30	5.3	194	246	7.5	2.45	0.48	2149	2722	26	1.50	6.0	174	220	7.5	2.75	0.57	1825	2311	26	1.75	2.3	452	572	2.4	0.80	0.63	1641	2078	26	1.95	2.6	403	510	4.9	0.80	0.72	1439	1823	27	2.20	3.0	344	436	5.3	0.90	0.83	1250	1583	27	2.55	3.2	322	408	5.3	1.00	0.94	1102	1396	27	2.90	3.8	272	344	5.5	1.15	1.1	970	1228	27	3.30	2.6	396	502	3.6	0.80	0.45	2278	2885	15	0.80	3.1	339	429	5.2	0.95	0.67	1555	1969	18	1.05	3.5	294	372	5.4	1.10	0.47	2196	2781	10	0.80	3.8	275	348	5.4	1.15	0.50	2057	2606	15	0.80	4.4	238	301	5.5	1.35	0.61	1688	2138	17	0.95	5.1	201	255	5.7	1.55	0.68	1530	1938	18	1.05	5.7	180	228	5.7	1.75	0.75	1374	1740	18	1.20	6.7	154	195	5.7	2.10	0.75	1377	1744	19	1.20	3.9	267	338	4.5	0.80	0.86	1208	1530	19	1.35	4.4	234	296	4.7	0.90	1.0	1033	1308	19	1.60	5.1	204	259	5.0	1.00	1.1	906	1148	19	1.80	5.7	180	228	5.1	1.15	1.5	702	889	19	2.35	6.6	157	199	5.3	1.35	1.7	616	780	19	2.65	7.6	136	172	5.4	1.55	1.9	543	688	19	3.00	4.0	259	328	4.3	0.80	2.2	474	601	19	3.50	4.5	228	289	4.7	0.90						4.9	209	265	4.9	1.00						5.8	178	226	5.2	1.20						6.5	159	202	5.3	1.30						7.3	141	179	5.4	1.50																																																																																																																																																																											
0.25	4080	5168	33	1.10	1.8	576	730	8.2	1.10	0.30	3502	4435	34	1.30	2.0	508	644	8.7	1.25	0.34	3076	3896	35	1.50	2.3	451	571	9.0	1.40	0.43	2399	3039	35	1.90	2.7	384	486	9.3	1.65	0.33	3093	3918	34	1.45	1.6	660	836	7.6	0.95	0.39	2639	3343	35	1.70	1.7	592	750	8.4	1.05	0.43	2395	3034	35	1.90	2.0	510	646	8.7	1.25	0.49	2095	2653	35	2.15	2.3	453	574	9.0	1.40	0.57	1800	2280	35	2.50	2.6	391	495	9.3	1.60	0.63	1632	2067	36	2.80	3.0	346	438	9.5	1.85	0.29	3599	4559	20	0.90	1.7	617	782	5.4	0.80	0.33	3161	4004	23	1.00	1.9	535	678	6.8	0.90	0.38	2748	3481	24	1.15	2.2	477	604	7.0	1.00	0.28	3693	4678	3.8	0.85	2.4	424	537	7.1	1.10	0.30	3402	4309	20	0.95	2.8	372	471	7.2	1.30	0.35	2923	3702	23	1.10	3.7	282	357	7.4	1.70	0.43	2384	3019	25	1.30	4.1	252	319	7.4	1.90	0.49	2106	2668	26	1.50	3.6	283	359	7.4	1.70	0.58	1772	2245	26	1.80	4.0	256	324	7.4	1.85	0.65	1592	2016	27	2.00	4.5	229	290	7.5	2.10	0.76	1368	1733	27	2.30	5.0	207	262	7.5	2.30	0.43	2420	3065	25	1.30	5.3	194	246	7.5	2.45	0.48	2149	2722	26	1.50	6.0	174	220	7.5	2.75	0.57	1825	2311	26	1.75	2.3	452	572	2.4	0.80	0.63	1641	2078	26	1.95	2.6	403	510	4.9	0.80	0.72	1439	1823	27	2.20	3.0	344	436	5.3	0.90	0.83	1250	1583	27	2.55	3.2	322	408	5.3	1.00	0.94	1102	1396	27	2.90	3.8	272	344	5.5	1.15	1.1	970	1228	27	3.30	2.6	396	502	3.6	0.80	0.45	2278	2885	15	0.80	3.1	339	429	5.2	0.95	0.67	1555	1969	18	1.05	3.5	294	372	5.4	1.10	0.47	2196	2781	10	0.80	3.8	275	348	5.4	1.15	0.50	2057	2606	15	0.80	4.4	238	301	5.5	1.35	0.61	1688	2138	17	0.95	5.1	201	255	5.7	1.55	0.68	1530	1938	18	1.05	5.7	180	228	5.7	1.75	0.75	1374	1740	18	1.20	6.7	154	195	5.7	2.10	0.75	1377	1744	19	1.20	3.9	267	338	4.5	0.80	0.86	1208	1530	19	1.35	4.4	234	296	4.7	0.90	1.0	1033	1308	19	1.60	5.1	204	259	5.0	1.00	1.1	906	1148	19	1.80	5.7	180	228	5.1	1.15	1.5	702	889	19	2.35	6.6	157	199	5.3	1.35	1.7	616	780	19	2.65	7.6	136	172	5.4	1.55	1.9	543	688	19	3.00	4.0	259	328	4.3	0.80	2.2	474	601	19	3.50	4.5	228	289	4.7	0.90						4.9	209	265	4.9	1.00						5.8	178	226	5.2	1.20						6.5	159	202	5.3	1.30						7.3	141	179	5.4	1.50																																																																																																																																																																																					
0.30	3502	4435	34	1.30	2.0	508	644	8.7	1.25	0.34	3076	3896	35	1.50	2.3	451	571	9.0	1.40	0.43	2399	3039	35	1.90	2.7	384	486	9.3	1.65	0.33	3093	3918	34	1.45	1.6	660	836	7.6	0.95	0.39	2639	3343	35	1.70	1.7	592	750	8.4	1.05	0.43	2395	3034	35	1.90	2.0	510	646	8.7	1.25	0.49	2095	2653	35	2.15	2.3	453	574	9.0	1.40	0.57	1800	2280	35	2.50	2.6	391	495	9.3	1.60	0.63	1632	2067	36	2.80	3.0	346	438	9.5	1.85	0.29	3599	4559	20	0.90	1.7	617	782	5.4	0.80	0.33	3161	4004	23	1.00	1.9	535	678	6.8	0.90	0.38	2748	3481	24	1.15	2.2	477	604	7.0	1.00	0.28	3693	4678	3.8	0.85	2.4	424	537	7.1	1.10	0.30	3402	4309	20	0.95	2.8	372	471	7.2	1.30	0.35	2923	3702	23	1.10	3.7	282	357	7.4	1.70	0.43	2384	3019	25	1.30	4.1	252	319	7.4	1.90	0.49	2106	2668	26	1.50	3.6	283	359	7.4	1.70	0.58	1772	2245	26	1.80	4.0	256	324	7.4	1.85	0.65	1592	2016	27	2.00	4.5	229	290	7.5	2.10	0.76	1368	1733	27	2.30	5.0	207	262	7.5	2.30	0.43	2420	3065	25	1.30	5.3	194	246	7.5	2.45	0.48	2149	2722	26	1.50	6.0	174	220	7.5	2.75	0.57	1825	2311	26	1.75	2.3	452	572	2.4	0.80	0.63	1641	2078	26	1.95	2.6	403	510	4.9	0.80	0.72	1439	1823	27	2.20	3.0	344	436	5.3	0.90	0.83	1250	1583	27	2.55	3.2	322	408	5.3	1.00	0.94	1102	1396	27	2.90	3.8	272	344	5.5	1.15	1.1	970	1228	27	3.30	2.6	396	502	3.6	0.80	0.45	2278	2885	15	0.80	3.1	339	429	5.2	0.95	0.67	1555	1969	18	1.05	3.5	294	372	5.4	1.10	0.47	2196	2781	10	0.80	3.8	275	348	5.4	1.15	0.50	2057	2606	15	0.80	4.4	238	301	5.5	1.35	0.61	1688	2138	17	0.95	5.1	201	255	5.7	1.55	0.68	1530	1938	18	1.05	5.7	180	228	5.7	1.75	0.75	1374	1740	18	1.20	6.7	154	195	5.7	2.10	0.75	1377	1744	19	1.20	3.9	267	338	4.5	0.80	0.86	1208	1530	19	1.35	4.4	234	296	4.7	0.90	1.0	1033	1308	19	1.60	5.1	204	259	5.0	1.00	1.1	906	1148	19	1.80	5.7	180	228	5.1	1.15	1.5	702	889	19	2.35	6.6	157	199	5.3	1.35	1.7	616	780	19	2.65	7.6	136	172	5.4	1.55	1.9	543	688	19	3.00	4.0	259	328	4.3	0.80	2.2	474	601	19	3.50	4.5	228	289	4.7	0.90						4.9	209	265	4.9	1.00						5.8	178	226	5.2	1.20						6.5	159	202	5.3	1.30						7.3	141	179	5.4	1.50																																																																																																																																																																																															
0.34	3076	3896	35	1.50	2.3	451	571	9.0	1.40	0.43	2399	3039	35	1.90	2.7	384	486	9.3	1.65	0.33	3093	3918	34	1.45	1.6	660	836	7.6	0.95	0.39	2639	3343	35	1.70	1.7	592	750	8.4	1.05	0.43	2395	3034	35	1.90	2.0	510	646	8.7	1.25	0.49	2095	2653	35	2.15	2.3	453	574	9.0	1.40	0.57	1800	2280	35	2.50	2.6	391	495	9.3	1.60	0.63	1632	2067	36	2.80	3.0	346	438	9.5	1.85	0.29	3599	4559	20	0.90	1.7	617	782	5.4	0.80	0.33	3161	4004	23	1.00	1.9	535	678	6.8	0.90	0.38	2748	3481	24	1.15	2.2	477	604	7.0	1.00	0.28	3693	4678	3.8	0.85	2.4	424	537	7.1	1.10	0.30	3402	4309	20	0.95	2.8	372	471	7.2	1.30	0.35	2923	3702	23	1.10	3.7	282	357	7.4	1.70	0.43	2384	3019	25	1.30	4.1	252	319	7.4	1.90	0.49	2106	2668	26	1.50	3.6	283	359	7.4	1.70	0.58	1772	2245	26	1.80	4.0	256	324	7.4	1.85	0.65	1592	2016	27	2.00	4.5	229	290	7.5	2.10	0.76	1368	1733	27	2.30	5.0	207	262	7.5	2.30	0.43	2420	3065	25	1.30	5.3	194	246	7.5	2.45	0.48	2149	2722	26	1.50	6.0	174	220	7.5	2.75	0.57	1825	2311	26	1.75	2.3	452	572	2.4	0.80	0.63	1641	2078	26	1.95	2.6	403	510	4.9	0.80	0.72	1439	1823	27	2.20	3.0	344	436	5.3	0.90	0.83	1250	1583	27	2.55	3.2	322	408	5.3	1.00	0.94	1102	1396	27	2.90	3.8	272	344	5.5	1.15	1.1	970	1228	27	3.30	2.6	396	502	3.6	0.80	0.45	2278	2885	15	0.80	3.1	339	429	5.2	0.95	0.67	1555	1969	18	1.05	3.5	294	372	5.4	1.10	0.47	2196	2781	10	0.80	3.8	275	348	5.4	1.15	0.50	2057	2606	15	0.80	4.4	238	301	5.5	1.35	0.61	1688	2138	17	0.95	5.1	201	255	5.7	1.55	0.68	1530	1938	18	1.05	5.7	180	228	5.7	1.75	0.75	1374	1740	18	1.20	6.7	154	195	5.7	2.10	0.75	1377	1744	19	1.20	3.9	267	338	4.5	0.80	0.86	1208	1530	19	1.35	4.4	234	296	4.7	0.90	1.0	1033	1308	19	1.60	5.1	204	259	5.0	1.00	1.1	906	1148	19	1.80	5.7	180	228	5.1	1.15	1.5	702	889	19	2.35	6.6	157	199	5.3	1.35	1.7	616	780	19	2.65	7.6	136	172	5.4	1.55	1.9	543	688	19	3.00	4.0	259	328	4.3	0.80	2.2	474	601	19	3.50	4.5	228	289	4.7	0.90						4.9	209	265	4.9	1.00						5.8	178	226	5.2	1.20						6.5	159	202	5.3	1.30						7.3	141	179	5.4	1.50																																																																																																																																																																																																									
0.43	2399	3039	35	1.90	2.7	384	486	9.3	1.65	0.33	3093	3918	34	1.45	1.6	660	836	7.6	0.95	0.39	2639	3343	35	1.70	1.7	592	750	8.4	1.05	0.43	2395	3034	35	1.90	2.0	510	646	8.7	1.25	0.49	2095	2653	35	2.15	2.3	453	574	9.0	1.40	0.57	1800	2280	35	2.50	2.6	391	495	9.3	1.60	0.63	1632	2067	36	2.80	3.0	346	438	9.5	1.85	0.29	3599	4559	20	0.90	1.7	617	782	5.4	0.80	0.33	3161	4004	23	1.00	1.9	535	678	6.8	0.90	0.38	2748	3481	24	1.15	2.2	477	604	7.0	1.00	0.28	3693	4678	3.8	0.85	2.4	424	537	7.1	1.10	0.30	3402	4309	20	0.95	2.8	372	471	7.2	1.30	0.35	2923	3702	23	1.10	3.7	282	357	7.4	1.70	0.43	2384	3019	25	1.30	4.1	252	319	7.4	1.90	0.49	2106	2668	26	1.50	3.6	283	359	7.4	1.70	0.58	1772	2245	26	1.80	4.0	256	324	7.4	1.85	0.65	1592	2016	27	2.00	4.5	229	290	7.5	2.10	0.76	1368	1733	27	2.30	5.0	207	262	7.5	2.30	0.43	2420	3065	25	1.30	5.3	194	246	7.5	2.45	0.48	2149	2722	26	1.50	6.0	174	220	7.5	2.75	0.57	1825	2311	26	1.75	2.3	452	572	2.4	0.80	0.63	1641	2078	26	1.95	2.6	403	510	4.9	0.80	0.72	1439	1823	27	2.20	3.0	344	436	5.3	0.90	0.83	1250	1583	27	2.55	3.2	322	408	5.3	1.00	0.94	1102	1396	27	2.90	3.8	272	344	5.5	1.15	1.1	970	1228	27	3.30	2.6	396	502	3.6	0.80	0.45	2278	2885	15	0.80	3.1	339	429	5.2	0.95	0.67	1555	1969	18	1.05	3.5	294	372	5.4	1.10	0.47	2196	2781	10	0.80	3.8	275	348	5.4	1.15	0.50	2057	2606	15	0.80	4.4	238	301	5.5	1.35	0.61	1688	2138	17	0.95	5.1	201	255	5.7	1.55	0.68	1530	1938	18	1.05	5.7	180	228	5.7	1.75	0.75	1374	1740	18	1.20	6.7	154	195	5.7	2.10	0.75	1377	1744	19	1.20	3.9	267	338	4.5	0.80	0.86	1208	1530	19	1.35	4.4	234	296	4.7	0.90	1.0	1033	1308	19	1.60	5.1	204	259	5.0	1.00	1.1	906	1148	19	1.80	5.7	180	228	5.1	1.15	1.5	702	889	19	2.35	6.6	157	199	5.3	1.35	1.7	616	780	19	2.65	7.6	136	172	5.4	1.55	1.9	543	688	19	3.00	4.0	259	328	4.3	0.80	2.2	474	601	19	3.50	4.5	228	289	4.7	0.90						4.9	209	265	4.9	1.00						5.8	178	226	5.2	1.20						6.5	159	202	5.3	1.30						7.3	141	179	5.4	1.50																																																																																																																																																																																																																			
0.33	3093	3918	34	1.45	1.6	660	836	7.6	0.95	0.39	2639	3343	35	1.70	1.7	592	750	8.4	1.05	0.43	2395	3034	35	1.90	2.0	510	646	8.7	1.25	0.49	2095	2653	35	2.15	2.3	453	574	9.0	1.40	0.57	1800	2280	35	2.50	2.6	391	495	9.3	1.60	0.63	1632	2067	36	2.80	3.0	346	438	9.5	1.85	0.29	3599	4559	20	0.90	1.7	617	782	5.4	0.80	0.33	3161	4004	23	1.00	1.9	535	678	6.8	0.90	0.38	2748	3481	24	1.15	2.2	477	604	7.0	1.00	0.28	3693	4678	3.8	0.85	2.4	424	537	7.1	1.10	0.30	3402	4309	20	0.95	2.8	372	471	7.2	1.30	0.35	2923	3702	23	1.10	3.7	282	357	7.4	1.70	0.43	2384	3019	25	1.30	4.1	252	319	7.4	1.90	0.49	2106	2668	26	1.50	3.6	283	359	7.4	1.70	0.58	1772	2245	26	1.80	4.0	256	324	7.4	1.85	0.65	1592	2016	27	2.00	4.5	229	290	7.5	2.10	0.76	1368	1733	27	2.30	5.0	207	262	7.5	2.30	0.43	2420	3065	25	1.30	5.3	194	246	7.5	2.45	0.48	2149	2722	26	1.50	6.0	174	220	7.5	2.75	0.57	1825	2311	26	1.75	2.3	452	572	2.4	0.80	0.63	1641	2078	26	1.95	2.6	403	510	4.9	0.80	0.72	1439	1823	27	2.20	3.0	344	436	5.3	0.90	0.83	1250	1583	27	2.55	3.2	322	408	5.3	1.00	0.94	1102	1396	27	2.90	3.8	272	344	5.5	1.15	1.1	970	1228	27	3.30	2.6	396	502	3.6	0.80	0.45	2278	2885	15	0.80	3.1	339	429	5.2	0.95	0.67	1555	1969	18	1.05	3.5	294	372	5.4	1.10	0.47	2196	2781	10	0.80	3.8	275	348	5.4	1.15	0.50	2057	2606	15	0.80	4.4	238	301	5.5	1.35	0.61	1688	2138	17	0.95	5.1	201	255	5.7	1.55	0.68	1530	1938	18	1.05	5.7	180	228	5.7	1.75	0.75	1374	1740	18	1.20	6.7	154	195	5.7	2.10	0.75	1377	1744	19	1.20	3.9	267	338	4.5	0.80	0.86	1208	1530	19	1.35	4.4	234	296	4.7	0.90	1.0	1033	1308	19	1.60	5.1	204	259	5.0	1.00	1.1	906	1148	19	1.80	5.7	180	228	5.1	1.15	1.5	702	889	19	2.35	6.6	157	199	5.3	1.35	1.7	616	780	19	2.65	7.6	136	172	5.4	1.55	1.9	543	688	19	3.00	4.0	259	328	4.3	0.80	2.2	474	601	19	3.50	4.5	228	289	4.7	0.90						4.9	209	265	4.9	1.00						5.8	178	226	5.2	1.20						6.5	159	202	5.3	1.30						7.3	141	179	5.4	1.50																																																																																																																																																																																																																													
0.39	2639	3343	35	1.70	1.7	592	750	8.4	1.05	0.43	2395	3034	35	1.90	2.0	510	646	8.7	1.25	0.49	2095	2653	35	2.15	2.3	453	574	9.0	1.40	0.57	1800	2280	35	2.50	2.6	391	495	9.3	1.60	0.63	1632	2067	36	2.80	3.0	346	438	9.5	1.85	0.29	3599	4559	20	0.90	1.7	617	782	5.4	0.80	0.33	3161	4004	23	1.00	1.9	535	678	6.8	0.90	0.38	2748	3481	24	1.15	2.2	477	604	7.0	1.00	0.28	3693	4678	3.8	0.85	2.4	424	537	7.1	1.10	0.30	3402	4309	20	0.95	2.8	372	471	7.2	1.30	0.35	2923	3702	23	1.10	3.7	282	357	7.4	1.70	0.43	2384	3019	25	1.30	4.1	252	319	7.4	1.90	0.49	2106	2668	26	1.50	3.6	283	359	7.4	1.70	0.58	1772	2245	26	1.80	4.0	256	324	7.4	1.85	0.65	1592	2016	27	2.00	4.5	229	290	7.5	2.10	0.76	1368	1733	27	2.30	5.0	207	262	7.5	2.30	0.43	2420	3065	25	1.30	5.3	194	246	7.5	2.45	0.48	2149	2722	26	1.50	6.0	174	220	7.5	2.75	0.57	1825	2311	26	1.75	2.3	452	572	2.4	0.80	0.63	1641	2078	26	1.95	2.6	403	510	4.9	0.80	0.72	1439	1823	27	2.20	3.0	344	436	5.3	0.90	0.83	1250	1583	27	2.55	3.2	322	408	5.3	1.00	0.94	1102	1396	27	2.90	3.8	272	344	5.5	1.15	1.1	970	1228	27	3.30	2.6	396	502	3.6	0.80	0.45	2278	2885	15	0.80	3.1	339	429	5.2	0.95	0.67	1555	1969	18	1.05	3.5	294	372	5.4	1.10	0.47	2196	2781	10	0.80	3.8	275	348	5.4	1.15	0.50	2057	2606	15	0.80	4.4	238	301	5.5	1.35	0.61	1688	2138	17	0.95	5.1	201	255	5.7	1.55	0.68	1530	1938	18	1.05	5.7	180	228	5.7	1.75	0.75	1374	1740	18	1.20	6.7	154	195	5.7	2.10	0.75	1377	1744	19	1.20	3.9	267	338	4.5	0.80	0.86	1208	1530	19	1.35	4.4	234	296	4.7	0.90	1.0	1033	1308	19	1.60	5.1	204	259	5.0	1.00	1.1	906	1148	19	1.80	5.7	180	228	5.1	1.15	1.5	702	889	19	2.35	6.6	157	199	5.3	1.35	1.7	616	780	19	2.65	7.6	136	172	5.4	1.55	1.9	543	688	19	3.00	4.0	259	328	4.3	0.80	2.2	474	601	19	3.50	4.5	228	289	4.7	0.90						4.9	209	265	4.9	1.00						5.8	178	226	5.2	1.20						6.5	159	202	5.3	1.30						7.3	141	179	5.4	1.50																																																																																																																																																																																																																																							
0.43	2395	3034	35	1.90	2.0	510	646	8.7	1.25	0.49	2095	2653	35	2.15	2.3	453	574	9.0	1.40	0.57	1800	2280	35	2.50	2.6	391	495	9.3	1.60	0.63	1632	2067	36	2.80	3.0	346	438	9.5	1.85	0.29	3599	4559	20	0.90	1.7	617	782	5.4	0.80	0.33	3161	4004	23	1.00	1.9	535	678	6.8	0.90	0.38	2748	3481	24	1.15	2.2	477	604	7.0	1.00	0.28	3693	4678	3.8	0.85	2.4	424	537	7.1	1.10	0.30	3402	4309	20	0.95	2.8	372	471	7.2	1.30	0.35	2923	3702	23	1.10	3.7	282	357	7.4	1.70	0.43	2384	3019	25	1.30	4.1	252	319	7.4	1.90	0.49	2106	2668	26	1.50	3.6	283	359	7.4	1.70	0.58	1772	2245	26	1.80	4.0	256	324	7.4	1.85	0.65	1592	2016	27	2.00	4.5	229	290	7.5	2.10	0.76	1368	1733	27	2.30	5.0	207	262	7.5	2.30	0.43	2420	3065	25	1.30	5.3	194	246	7.5	2.45	0.48	2149	2722	26	1.50	6.0	174	220	7.5	2.75	0.57	1825	2311	26	1.75	2.3	452	572	2.4	0.80	0.63	1641	2078	26	1.95	2.6	403	510	4.9	0.80	0.72	1439	1823	27	2.20	3.0	344	436	5.3	0.90	0.83	1250	1583	27	2.55	3.2	322	408	5.3	1.00	0.94	1102	1396	27	2.90	3.8	272	344	5.5	1.15	1.1	970	1228	27	3.30	2.6	396	502	3.6	0.80	0.45	2278	2885	15	0.80	3.1	339	429	5.2	0.95	0.67	1555	1969	18	1.05	3.5	294	372	5.4	1.10	0.47	2196	2781	10	0.80	3.8	275	348	5.4	1.15	0.50	2057	2606	15	0.80	4.4	238	301	5.5	1.35	0.61	1688	2138	17	0.95	5.1	201	255	5.7	1.55	0.68	1530	1938	18	1.05	5.7	180	228	5.7	1.75	0.75	1374	1740	18	1.20	6.7	154	195	5.7	2.10	0.75	1377	1744	19	1.20	3.9	267	338	4.5	0.80	0.86	1208	1530	19	1.35	4.4	234	296	4.7	0.90	1.0	1033	1308	19	1.60	5.1	204	259	5.0	1.00	1.1	906	1148	19	1.80	5.7	180	228	5.1	1.15	1.5	702	889	19	2.35	6.6	157	199	5.3	1.35	1.7	616	780	19	2.65	7.6	136	172	5.4	1.55	1.9	543	688	19	3.00	4.0	259	328	4.3	0.80	2.2	474	601	19	3.50	4.5	228	289	4.7	0.90						4.9	209	265	4.9	1.00						5.8	178	226	5.2	1.20						6.5	159	202	5.3	1.30						7.3	141	179	5.4	1.50																																																																																																																																																																																																																																																	
0.49	2095	2653	35	2.15	2.3	453	574	9.0	1.40	0.57	1800	2280	35	2.50	2.6	391	495	9.3	1.60	0.63	1632	2067	36	2.80	3.0	346	438	9.5	1.85	0.29	3599	4559	20	0.90	1.7	617	782	5.4	0.80	0.33	3161	4004	23	1.00	1.9	535	678	6.8	0.90	0.38	2748	3481	24	1.15	2.2	477	604	7.0	1.00	0.28	3693	4678	3.8	0.85	2.4	424	537	7.1	1.10	0.30	3402	4309	20	0.95	2.8	372	471	7.2	1.30	0.35	2923	3702	23	1.10	3.7	282	357	7.4	1.70	0.43	2384	3019	25	1.30	4.1	252	319	7.4	1.90	0.49	2106	2668	26	1.50	3.6	283	359	7.4	1.70	0.58	1772	2245	26	1.80	4.0	256	324	7.4	1.85	0.65	1592	2016	27	2.00	4.5	229	290	7.5	2.10	0.76	1368	1733	27	2.30	5.0	207	262	7.5	2.30	0.43	2420	3065	25	1.30	5.3	194	246	7.5	2.45	0.48	2149	2722	26	1.50	6.0	174	220	7.5	2.75	0.57	1825	2311	26	1.75	2.3	452	572	2.4	0.80	0.63	1641	2078	26	1.95	2.6	403	510	4.9	0.80	0.72	1439	1823	27	2.20	3.0	344	436	5.3	0.90	0.83	1250	1583	27	2.55	3.2	322	408	5.3	1.00	0.94	1102	1396	27	2.90	3.8	272	344	5.5	1.15	1.1	970	1228	27	3.30	2.6	396	502	3.6	0.80	0.45	2278	2885	15	0.80	3.1	339	429	5.2	0.95	0.67	1555	1969	18	1.05	3.5	294	372	5.4	1.10	0.47	2196	2781	10	0.80	3.8	275	348	5.4	1.15	0.50	2057	2606	15	0.80	4.4	238	301	5.5	1.35	0.61	1688	2138	17	0.95	5.1	201	255	5.7	1.55	0.68	1530	1938	18	1.05	5.7	180	228	5.7	1.75	0.75	1374	1740	18	1.20	6.7	154	195	5.7	2.10	0.75	1377	1744	19	1.20	3.9	267	338	4.5	0.80	0.86	1208	1530	19	1.35	4.4	234	296	4.7	0.90	1.0	1033	1308	19	1.60	5.1	204	259	5.0	1.00	1.1	906	1148	19	1.80	5.7	180	228	5.1	1.15	1.5	702	889	19	2.35	6.6	157	199	5.3	1.35	1.7	616	780	19	2.65	7.6	136	172	5.4	1.55	1.9	543	688	19	3.00	4.0	259	328	4.3	0.80	2.2	474	601	19	3.50	4.5	228	289	4.7	0.90						4.9	209	265	4.9	1.00						5.8	178	226	5.2	1.20						6.5	159	202	5.3	1.30						7.3	141	179	5.4	1.50																																																																																																																																																																																																																																																											
0.57	1800	2280	35	2.50	2.6	391	495	9.3	1.60	0.63	1632	2067	36	2.80	3.0	346	438	9.5	1.85	0.29	3599	4559	20	0.90	1.7	617	782	5.4	0.80	0.33	3161	4004	23	1.00	1.9	535	678	6.8	0.90	0.38	2748	3481	24	1.15	2.2	477	604	7.0	1.00	0.28	3693	4678	3.8	0.85	2.4	424	537	7.1	1.10	0.30	3402	4309	20	0.95	2.8	372	471	7.2	1.30	0.35	2923	3702	23	1.10	3.7	282	357	7.4	1.70	0.43	2384	3019	25	1.30	4.1	252	319	7.4	1.90	0.49	2106	2668	26	1.50	3.6	283	359	7.4	1.70	0.58	1772	2245	26	1.80	4.0	256	324	7.4	1.85	0.65	1592	2016	27	2.00	4.5	229	290	7.5	2.10	0.76	1368	1733	27	2.30	5.0	207	262	7.5	2.30	0.43	2420	3065	25	1.30	5.3	194	246	7.5	2.45	0.48	2149	2722	26	1.50	6.0	174	220	7.5	2.75	0.57	1825	2311	26	1.75	2.3	452	572	2.4	0.80	0.63	1641	2078	26	1.95	2.6	403	510	4.9	0.80	0.72	1439	1823	27	2.20	3.0	344	436	5.3	0.90	0.83	1250	1583	27	2.55	3.2	322	408	5.3	1.00	0.94	1102	1396	27	2.90	3.8	272	344	5.5	1.15	1.1	970	1228	27	3.30	2.6	396	502	3.6	0.80	0.45	2278	2885	15	0.80	3.1	339	429	5.2	0.95	0.67	1555	1969	18	1.05	3.5	294	372	5.4	1.10	0.47	2196	2781	10	0.80	3.8	275	348	5.4	1.15	0.50	2057	2606	15	0.80	4.4	238	301	5.5	1.35	0.61	1688	2138	17	0.95	5.1	201	255	5.7	1.55	0.68	1530	1938	18	1.05	5.7	180	228	5.7	1.75	0.75	1374	1740	18	1.20	6.7	154	195	5.7	2.10	0.75	1377	1744	19	1.20	3.9	267	338	4.5	0.80	0.86	1208	1530	19	1.35	4.4	234	296	4.7	0.90	1.0	1033	1308	19	1.60	5.1	204	259	5.0	1.00	1.1	906	1148	19	1.80	5.7	180	228	5.1	1.15	1.5	702	889	19	2.35	6.6	157	199	5.3	1.35	1.7	616	780	19	2.65	7.6	136	172	5.4	1.55	1.9	543	688	19	3.00	4.0	259	328	4.3	0.80	2.2	474	601	19	3.50	4.5	228	289	4.7	0.90						4.9	209	265	4.9	1.00						5.8	178	226	5.2	1.20						6.5	159	202	5.3	1.30						7.3	141	179	5.4	1.50																																																																																																																																																																																																																																																																					
0.63	1632	2067	36	2.80	3.0	346	438	9.5	1.85	0.29	3599	4559	20	0.90	1.7	617	782	5.4	0.80	0.33	3161	4004	23	1.00	1.9	535	678	6.8	0.90	0.38	2748	3481	24	1.15	2.2	477	604	7.0	1.00	0.28	3693	4678	3.8	0.85	2.4	424	537	7.1	1.10	0.30	3402	4309	20	0.95	2.8	372	471	7.2	1.30	0.35	2923	3702	23	1.10	3.7	282	357	7.4	1.70	0.43	2384	3019	25	1.30	4.1	252	319	7.4	1.90	0.49	2106	2668	26	1.50	3.6	283	359	7.4	1.70	0.58	1772	2245	26	1.80	4.0	256	324	7.4	1.85	0.65	1592	2016	27	2.00	4.5	229	290	7.5	2.10	0.76	1368	1733	27	2.30	5.0	207	262	7.5	2.30	0.43	2420	3065	25	1.30	5.3	194	246	7.5	2.45	0.48	2149	2722	26	1.50	6.0	174	220	7.5	2.75	0.57	1825	2311	26	1.75	2.3	452	572	2.4	0.80	0.63	1641	2078	26	1.95	2.6	403	510	4.9	0.80	0.72	1439	1823	27	2.20	3.0	344	436	5.3	0.90	0.83	1250	1583	27	2.55	3.2	322	408	5.3	1.00	0.94	1102	1396	27	2.90	3.8	272	344	5.5	1.15	1.1	970	1228	27	3.30	2.6	396	502	3.6	0.80	0.45	2278	2885	15	0.80	3.1	339	429	5.2	0.95	0.67	1555	1969	18	1.05	3.5	294	372	5.4	1.10	0.47	2196	2781	10	0.80	3.8	275	348	5.4	1.15	0.50	2057	2606	15	0.80	4.4	238	301	5.5	1.35	0.61	1688	2138	17	0.95	5.1	201	255	5.7	1.55	0.68	1530	1938	18	1.05	5.7	180	228	5.7	1.75	0.75	1374	1740	18	1.20	6.7	154	195	5.7	2.10	0.75	1377	1744	19	1.20	3.9	267	338	4.5	0.80	0.86	1208	1530	19	1.35	4.4	234	296	4.7	0.90	1.0	1033	1308	19	1.60	5.1	204	259	5.0	1.00	1.1	906	1148	19	1.80	5.7	180	228	5.1	1.15	1.5	702	889	19	2.35	6.6	157	199	5.3	1.35	1.7	616	780	19	2.65	7.6	136	172	5.4	1.55	1.9	543	688	19	3.00	4.0	259	328	4.3	0.80	2.2	474	601	19	3.50	4.5	228	289	4.7	0.90						4.9	209	265	4.9	1.00						5.8	178	226	5.2	1.20						6.5	159	202	5.3	1.30						7.3	141	179	5.4	1.50																																																																																																																																																																																																																																																																															
0.29	3599	4559	20	0.90	1.7	617	782	5.4	0.80	0.33	3161	4004	23	1.00	1.9	535	678	6.8	0.90	0.38	2748	3481	24	1.15	2.2	477	604	7.0	1.00	0.28	3693	4678	3.8	0.85	2.4	424	537	7.1	1.10	0.30	3402	4309	20	0.95	2.8	372	471	7.2	1.30	0.35	2923	3702	23	1.10	3.7	282	357	7.4	1.70	0.43	2384	3019	25	1.30	4.1	252	319	7.4	1.90	0.49	2106	2668	26	1.50	3.6	283	359	7.4	1.70	0.58	1772	2245	26	1.80	4.0	256	324	7.4	1.85	0.65	1592	2016	27	2.00	4.5	229	290	7.5	2.10	0.76	1368	1733	27	2.30	5.0	207	262	7.5	2.30	0.43	2420	3065	25	1.30	5.3	194	246	7.5	2.45	0.48	2149	2722	26	1.50	6.0	174	220	7.5	2.75	0.57	1825	2311	26	1.75	2.3	452	572	2.4	0.80	0.63	1641	2078	26	1.95	2.6	403	510	4.9	0.80	0.72	1439	1823	27	2.20	3.0	344	436	5.3	0.90	0.83	1250	1583	27	2.55	3.2	322	408	5.3	1.00	0.94	1102	1396	27	2.90	3.8	272	344	5.5	1.15	1.1	970	1228	27	3.30	2.6	396	502	3.6	0.80	0.45	2278	2885	15	0.80	3.1	339	429	5.2	0.95	0.67	1555	1969	18	1.05	3.5	294	372	5.4	1.10	0.47	2196	2781	10	0.80	3.8	275	348	5.4	1.15	0.50	2057	2606	15	0.80	4.4	238	301	5.5	1.35	0.61	1688	2138	17	0.95	5.1	201	255	5.7	1.55	0.68	1530	1938	18	1.05	5.7	180	228	5.7	1.75	0.75	1374	1740	18	1.20	6.7	154	195	5.7	2.10	0.75	1377	1744	19	1.20	3.9	267	338	4.5	0.80	0.86	1208	1530	19	1.35	4.4	234	296	4.7	0.90	1.0	1033	1308	19	1.60	5.1	204	259	5.0	1.00	1.1	906	1148	19	1.80	5.7	180	228	5.1	1.15	1.5	702	889	19	2.35	6.6	157	199	5.3	1.35	1.7	616	780	19	2.65	7.6	136	172	5.4	1.55	1.9	543	688	19	3.00	4.0	259	328	4.3	0.80	2.2	474	601	19	3.50	4.5	228	289	4.7	0.90						4.9	209	265	4.9	1.00						5.8	178	226	5.2	1.20						6.5	159	202	5.3	1.30						7.3	141	179	5.4	1.50																																																																																																																																																																																																																																																																																									
0.33	3161	4004	23	1.00	1.9	535	678	6.8	0.90	0.38	2748	3481	24	1.15	2.2	477	604	7.0	1.00	0.28	3693	4678	3.8	0.85	2.4	424	537	7.1	1.10	0.30	3402	4309	20	0.95	2.8	372	471	7.2	1.30	0.35	2923	3702	23	1.10	3.7	282	357	7.4	1.70	0.43	2384	3019	25	1.30	4.1	252	319	7.4	1.90	0.49	2106	2668	26	1.50	3.6	283	359	7.4	1.70	0.58	1772	2245	26	1.80	4.0	256	324	7.4	1.85	0.65	1592	2016	27	2.00	4.5	229	290	7.5	2.10	0.76	1368	1733	27	2.30	5.0	207	262	7.5	2.30	0.43	2420	3065	25	1.30	5.3	194	246	7.5	2.45	0.48	2149	2722	26	1.50	6.0	174	220	7.5	2.75	0.57	1825	2311	26	1.75	2.3	452	572	2.4	0.80	0.63	1641	2078	26	1.95	2.6	403	510	4.9	0.80	0.72	1439	1823	27	2.20	3.0	344	436	5.3	0.90	0.83	1250	1583	27	2.55	3.2	322	408	5.3	1.00	0.94	1102	1396	27	2.90	3.8	272	344	5.5	1.15	1.1	970	1228	27	3.30	2.6	396	502	3.6	0.80	0.45	2278	2885	15	0.80	3.1	339	429	5.2	0.95	0.67	1555	1969	18	1.05	3.5	294	372	5.4	1.10	0.47	2196	2781	10	0.80	3.8	275	348	5.4	1.15	0.50	2057	2606	15	0.80	4.4	238	301	5.5	1.35	0.61	1688	2138	17	0.95	5.1	201	255	5.7	1.55	0.68	1530	1938	18	1.05	5.7	180	228	5.7	1.75	0.75	1374	1740	18	1.20	6.7	154	195	5.7	2.10	0.75	1377	1744	19	1.20	3.9	267	338	4.5	0.80	0.86	1208	1530	19	1.35	4.4	234	296	4.7	0.90	1.0	1033	1308	19	1.60	5.1	204	259	5.0	1.00	1.1	906	1148	19	1.80	5.7	180	228	5.1	1.15	1.5	702	889	19	2.35	6.6	157	199	5.3	1.35	1.7	616	780	19	2.65	7.6	136	172	5.4	1.55	1.9	543	688	19	3.00	4.0	259	328	4.3	0.80	2.2	474	601	19	3.50	4.5	228	289	4.7	0.90						4.9	209	265	4.9	1.00						5.8	178	226	5.2	1.20						6.5	159	202	5.3	1.30						7.3	141	179	5.4	1.50																																																																																																																																																																																																																																																																																																			
0.38	2748	3481	24	1.15	2.2	477	604	7.0	1.00	0.28	3693	4678	3.8	0.85	2.4	424	537	7.1	1.10	0.30	3402	4309	20	0.95	2.8	372	471	7.2	1.30	0.35	2923	3702	23	1.10	3.7	282	357	7.4	1.70	0.43	2384	3019	25	1.30	4.1	252	319	7.4	1.90	0.49	2106	2668	26	1.50	3.6	283	359	7.4	1.70	0.58	1772	2245	26	1.80	4.0	256	324	7.4	1.85	0.65	1592	2016	27	2.00	4.5	229	290	7.5	2.10	0.76	1368	1733	27	2.30	5.0	207	262	7.5	2.30	0.43	2420	3065	25	1.30	5.3	194	246	7.5	2.45	0.48	2149	2722	26	1.50	6.0	174	220	7.5	2.75	0.57	1825	2311	26	1.75	2.3	452	572	2.4	0.80	0.63	1641	2078	26	1.95	2.6	403	510	4.9	0.80	0.72	1439	1823	27	2.20	3.0	344	436	5.3	0.90	0.83	1250	1583	27	2.55	3.2	322	408	5.3	1.00	0.94	1102	1396	27	2.90	3.8	272	344	5.5	1.15	1.1	970	1228	27	3.30	2.6	396	502	3.6	0.80	0.45	2278	2885	15	0.80	3.1	339	429	5.2	0.95	0.67	1555	1969	18	1.05	3.5	294	372	5.4	1.10	0.47	2196	2781	10	0.80	3.8	275	348	5.4	1.15	0.50	2057	2606	15	0.80	4.4	238	301	5.5	1.35	0.61	1688	2138	17	0.95	5.1	201	255	5.7	1.55	0.68	1530	1938	18	1.05	5.7	180	228	5.7	1.75	0.75	1374	1740	18	1.20	6.7	154	195	5.7	2.10	0.75	1377	1744	19	1.20	3.9	267	338	4.5	0.80	0.86	1208	1530	19	1.35	4.4	234	296	4.7	0.90	1.0	1033	1308	19	1.60	5.1	204	259	5.0	1.00	1.1	906	1148	19	1.80	5.7	180	228	5.1	1.15	1.5	702	889	19	2.35	6.6	157	199	5.3	1.35	1.7	616	780	19	2.65	7.6	136	172	5.4	1.55	1.9	543	688	19	3.00	4.0	259	328	4.3	0.80	2.2	474	601	19	3.50	4.5	228	289	4.7	0.90						4.9	209	265	4.9	1.00						5.8	178	226	5.2	1.20						6.5	159	202	5.3	1.30						7.3	141	179	5.4	1.50																																																																																																																																																																																																																																																																																																													
0.28	3693	4678	3.8	0.85	2.4	424	537	7.1	1.10	0.30	3402	4309	20	0.95	2.8	372	471	7.2	1.30	0.35	2923	3702	23	1.10	3.7	282	357	7.4	1.70	0.43	2384	3019	25	1.30	4.1	252	319	7.4	1.90	0.49	2106	2668	26	1.50	3.6	283	359	7.4	1.70	0.58	1772	2245	26	1.80	4.0	256	324	7.4	1.85	0.65	1592	2016	27	2.00	4.5	229	290	7.5	2.10	0.76	1368	1733	27	2.30	5.0	207	262	7.5	2.30	0.43	2420	3065	25	1.30	5.3	194	246	7.5	2.45	0.48	2149	2722	26	1.50	6.0	174	220	7.5	2.75	0.57	1825	2311	26	1.75	2.3	452	572	2.4	0.80	0.63	1641	2078	26	1.95	2.6	403	510	4.9	0.80	0.72	1439	1823	27	2.20	3.0	344	436	5.3	0.90	0.83	1250	1583	27	2.55	3.2	322	408	5.3	1.00	0.94	1102	1396	27	2.90	3.8	272	344	5.5	1.15	1.1	970	1228	27	3.30	2.6	396	502	3.6	0.80	0.45	2278	2885	15	0.80	3.1	339	429	5.2	0.95	0.67	1555	1969	18	1.05	3.5	294	372	5.4	1.10	0.47	2196	2781	10	0.80	3.8	275	348	5.4	1.15	0.50	2057	2606	15	0.80	4.4	238	301	5.5	1.35	0.61	1688	2138	17	0.95	5.1	201	255	5.7	1.55	0.68	1530	1938	18	1.05	5.7	180	228	5.7	1.75	0.75	1374	1740	18	1.20	6.7	154	195	5.7	2.10	0.75	1377	1744	19	1.20	3.9	267	338	4.5	0.80	0.86	1208	1530	19	1.35	4.4	234	296	4.7	0.90	1.0	1033	1308	19	1.60	5.1	204	259	5.0	1.00	1.1	906	1148	19	1.80	5.7	180	228	5.1	1.15	1.5	702	889	19	2.35	6.6	157	199	5.3	1.35	1.7	616	780	19	2.65	7.6	136	172	5.4	1.55	1.9	543	688	19	3.00	4.0	259	328	4.3	0.80	2.2	474	601	19	3.50	4.5	228	289	4.7	0.90						4.9	209	265	4.9	1.00						5.8	178	226	5.2	1.20						6.5	159	202	5.3	1.30						7.3	141	179	5.4	1.50																																																																																																																																																																																																																																																																																																																							
0.30	3402	4309	20	0.95	2.8	372	471	7.2	1.30	0.35	2923	3702	23	1.10	3.7	282	357	7.4	1.70	0.43	2384	3019	25	1.30	4.1	252	319	7.4	1.90	0.49	2106	2668	26	1.50	3.6	283	359	7.4	1.70	0.58	1772	2245	26	1.80	4.0	256	324	7.4	1.85	0.65	1592	2016	27	2.00	4.5	229	290	7.5	2.10	0.76	1368	1733	27	2.30	5.0	207	262	7.5	2.30	0.43	2420	3065	25	1.30	5.3	194	246	7.5	2.45	0.48	2149	2722	26	1.50	6.0	174	220	7.5	2.75	0.57	1825	2311	26	1.75	2.3	452	572	2.4	0.80	0.63	1641	2078	26	1.95	2.6	403	510	4.9	0.80	0.72	1439	1823	27	2.20	3.0	344	436	5.3	0.90	0.83	1250	1583	27	2.55	3.2	322	408	5.3	1.00	0.94	1102	1396	27	2.90	3.8	272	344	5.5	1.15	1.1	970	1228	27	3.30	2.6	396	502	3.6	0.80	0.45	2278	2885	15	0.80	3.1	339	429	5.2	0.95	0.67	1555	1969	18	1.05	3.5	294	372	5.4	1.10	0.47	2196	2781	10	0.80	3.8	275	348	5.4	1.15	0.50	2057	2606	15	0.80	4.4	238	301	5.5	1.35	0.61	1688	2138	17	0.95	5.1	201	255	5.7	1.55	0.68	1530	1938	18	1.05	5.7	180	228	5.7	1.75	0.75	1374	1740	18	1.20	6.7	154	195	5.7	2.10	0.75	1377	1744	19	1.20	3.9	267	338	4.5	0.80	0.86	1208	1530	19	1.35	4.4	234	296	4.7	0.90	1.0	1033	1308	19	1.60	5.1	204	259	5.0	1.00	1.1	906	1148	19	1.80	5.7	180	228	5.1	1.15	1.5	702	889	19	2.35	6.6	157	199	5.3	1.35	1.7	616	780	19	2.65	7.6	136	172	5.4	1.55	1.9	543	688	19	3.00	4.0	259	328	4.3	0.80	2.2	474	601	19	3.50	4.5	228	289	4.7	0.90						4.9	209	265	4.9	1.00						5.8	178	226	5.2	1.20						6.5	159	202	5.3	1.30						7.3	141	179	5.4	1.50																																																																																																																																																																																																																																																																																																																																	
0.35	2923	3702	23	1.10	3.7	282	357	7.4	1.70	0.43	2384	3019	25	1.30	4.1	252	319	7.4	1.90	0.49	2106	2668	26	1.50	3.6	283	359	7.4	1.70	0.58	1772	2245	26	1.80	4.0	256	324	7.4	1.85	0.65	1592	2016	27	2.00	4.5	229	290	7.5	2.10	0.76	1368	1733	27	2.30	5.0	207	262	7.5	2.30	0.43	2420	3065	25	1.30	5.3	194	246	7.5	2.45	0.48	2149	2722	26	1.50	6.0	174	220	7.5	2.75	0.57	1825	2311	26	1.75	2.3	452	572	2.4	0.80	0.63	1641	2078	26	1.95	2.6	403	510	4.9	0.80	0.72	1439	1823	27	2.20	3.0	344	436	5.3	0.90	0.83	1250	1583	27	2.55	3.2	322	408	5.3	1.00	0.94	1102	1396	27	2.90	3.8	272	344	5.5	1.15	1.1	970	1228	27	3.30	2.6	396	502	3.6	0.80	0.45	2278	2885	15	0.80	3.1	339	429	5.2	0.95	0.67	1555	1969	18	1.05	3.5	294	372	5.4	1.10	0.47	2196	2781	10	0.80	3.8	275	348	5.4	1.15	0.50	2057	2606	15	0.80	4.4	238	301	5.5	1.35	0.61	1688	2138	17	0.95	5.1	201	255	5.7	1.55	0.68	1530	1938	18	1.05	5.7	180	228	5.7	1.75	0.75	1374	1740	18	1.20	6.7	154	195	5.7	2.10	0.75	1377	1744	19	1.20	3.9	267	338	4.5	0.80	0.86	1208	1530	19	1.35	4.4	234	296	4.7	0.90	1.0	1033	1308	19	1.60	5.1	204	259	5.0	1.00	1.1	906	1148	19	1.80	5.7	180	228	5.1	1.15	1.5	702	889	19	2.35	6.6	157	199	5.3	1.35	1.7	616	780	19	2.65	7.6	136	172	5.4	1.55	1.9	543	688	19	3.00	4.0	259	328	4.3	0.80	2.2	474	601	19	3.50	4.5	228	289	4.7	0.90						4.9	209	265	4.9	1.00						5.8	178	226	5.2	1.20						6.5	159	202	5.3	1.30						7.3	141	179	5.4	1.50																																																																																																																																																																																																																																																																																																																																											
0.43	2384	3019	25	1.30	4.1	252	319	7.4	1.90	0.49	2106	2668	26	1.50	3.6	283	359	7.4	1.70	0.58	1772	2245	26	1.80	4.0	256	324	7.4	1.85	0.65	1592	2016	27	2.00	4.5	229	290	7.5	2.10	0.76	1368	1733	27	2.30	5.0	207	262	7.5	2.30	0.43	2420	3065	25	1.30	5.3	194	246	7.5	2.45	0.48	2149	2722	26	1.50	6.0	174	220	7.5	2.75	0.57	1825	2311	26	1.75	2.3	452	572	2.4	0.80	0.63	1641	2078	26	1.95	2.6	403	510	4.9	0.80	0.72	1439	1823	27	2.20	3.0	344	436	5.3	0.90	0.83	1250	1583	27	2.55	3.2	322	408	5.3	1.00	0.94	1102	1396	27	2.90	3.8	272	344	5.5	1.15	1.1	970	1228	27	3.30	2.6	396	502	3.6	0.80	0.45	2278	2885	15	0.80	3.1	339	429	5.2	0.95	0.67	1555	1969	18	1.05	3.5	294	372	5.4	1.10	0.47	2196	2781	10	0.80	3.8	275	348	5.4	1.15	0.50	2057	2606	15	0.80	4.4	238	301	5.5	1.35	0.61	1688	2138	17	0.95	5.1	201	255	5.7	1.55	0.68	1530	1938	18	1.05	5.7	180	228	5.7	1.75	0.75	1374	1740	18	1.20	6.7	154	195	5.7	2.10	0.75	1377	1744	19	1.20	3.9	267	338	4.5	0.80	0.86	1208	1530	19	1.35	4.4	234	296	4.7	0.90	1.0	1033	1308	19	1.60	5.1	204	259	5.0	1.00	1.1	906	1148	19	1.80	5.7	180	228	5.1	1.15	1.5	702	889	19	2.35	6.6	157	199	5.3	1.35	1.7	616	780	19	2.65	7.6	136	172	5.4	1.55	1.9	543	688	19	3.00	4.0	259	328	4.3	0.80	2.2	474	601	19	3.50	4.5	228	289	4.7	0.90						4.9	209	265	4.9	1.00						5.8	178	226	5.2	1.20						6.5	159	202	5.3	1.30						7.3	141	179	5.4	1.50																																																																																																																																																																																																																																																																																																																																																					
0.49	2106	2668	26	1.50	3.6	283	359	7.4	1.70	0.58	1772	2245	26	1.80	4.0	256	324	7.4	1.85	0.65	1592	2016	27	2.00	4.5	229	290	7.5	2.10	0.76	1368	1733	27	2.30	5.0	207	262	7.5	2.30	0.43	2420	3065	25	1.30	5.3	194	246	7.5	2.45	0.48	2149	2722	26	1.50	6.0	174	220	7.5	2.75	0.57	1825	2311	26	1.75	2.3	452	572	2.4	0.80	0.63	1641	2078	26	1.95	2.6	403	510	4.9	0.80	0.72	1439	1823	27	2.20	3.0	344	436	5.3	0.90	0.83	1250	1583	27	2.55	3.2	322	408	5.3	1.00	0.94	1102	1396	27	2.90	3.8	272	344	5.5	1.15	1.1	970	1228	27	3.30	2.6	396	502	3.6	0.80	0.45	2278	2885	15	0.80	3.1	339	429	5.2	0.95	0.67	1555	1969	18	1.05	3.5	294	372	5.4	1.10	0.47	2196	2781	10	0.80	3.8	275	348	5.4	1.15	0.50	2057	2606	15	0.80	4.4	238	301	5.5	1.35	0.61	1688	2138	17	0.95	5.1	201	255	5.7	1.55	0.68	1530	1938	18	1.05	5.7	180	228	5.7	1.75	0.75	1374	1740	18	1.20	6.7	154	195	5.7	2.10	0.75	1377	1744	19	1.20	3.9	267	338	4.5	0.80	0.86	1208	1530	19	1.35	4.4	234	296	4.7	0.90	1.0	1033	1308	19	1.60	5.1	204	259	5.0	1.00	1.1	906	1148	19	1.80	5.7	180	228	5.1	1.15	1.5	702	889	19	2.35	6.6	157	199	5.3	1.35	1.7	616	780	19	2.65	7.6	136	172	5.4	1.55	1.9	543	688	19	3.00	4.0	259	328	4.3	0.80	2.2	474	601	19	3.50	4.5	228	289	4.7	0.90						4.9	209	265	4.9	1.00						5.8	178	226	5.2	1.20						6.5	159	202	5.3	1.30						7.3	141	179	5.4	1.50																																																																																																																																																																																																																																																																																																																																																															
0.58	1772	2245	26	1.80	4.0	256	324	7.4	1.85	0.65	1592	2016	27	2.00	4.5	229	290	7.5	2.10	0.76	1368	1733	27	2.30	5.0	207	262	7.5	2.30	0.43	2420	3065	25	1.30	5.3	194	246	7.5	2.45	0.48	2149	2722	26	1.50	6.0	174	220	7.5	2.75	0.57	1825	2311	26	1.75	2.3	452	572	2.4	0.80	0.63	1641	2078	26	1.95	2.6	403	510	4.9	0.80	0.72	1439	1823	27	2.20	3.0	344	436	5.3	0.90	0.83	1250	1583	27	2.55	3.2	322	408	5.3	1.00	0.94	1102	1396	27	2.90	3.8	272	344	5.5	1.15	1.1	970	1228	27	3.30	2.6	396	502	3.6	0.80	0.45	2278	2885	15	0.80	3.1	339	429	5.2	0.95	0.67	1555	1969	18	1.05	3.5	294	372	5.4	1.10	0.47	2196	2781	10	0.80	3.8	275	348	5.4	1.15	0.50	2057	2606	15	0.80	4.4	238	301	5.5	1.35	0.61	1688	2138	17	0.95	5.1	201	255	5.7	1.55	0.68	1530	1938	18	1.05	5.7	180	228	5.7	1.75	0.75	1374	1740	18	1.20	6.7	154	195	5.7	2.10	0.75	1377	1744	19	1.20	3.9	267	338	4.5	0.80	0.86	1208	1530	19	1.35	4.4	234	296	4.7	0.90	1.0	1033	1308	19	1.60	5.1	204	259	5.0	1.00	1.1	906	1148	19	1.80	5.7	180	228	5.1	1.15	1.5	702	889	19	2.35	6.6	157	199	5.3	1.35	1.7	616	780	19	2.65	7.6	136	172	5.4	1.55	1.9	543	688	19	3.00	4.0	259	328	4.3	0.80	2.2	474	601	19	3.50	4.5	228	289	4.7	0.90						4.9	209	265	4.9	1.00						5.8	178	226	5.2	1.20						6.5	159	202	5.3	1.30						7.3	141	179	5.4	1.50																																																																																																																																																																																																																																																																																																																																																																									
0.65	1592	2016	27	2.00	4.5	229	290	7.5	2.10	0.76	1368	1733	27	2.30	5.0	207	262	7.5	2.30	0.43	2420	3065	25	1.30	5.3	194	246	7.5	2.45	0.48	2149	2722	26	1.50	6.0	174	220	7.5	2.75	0.57	1825	2311	26	1.75	2.3	452	572	2.4	0.80	0.63	1641	2078	26	1.95	2.6	403	510	4.9	0.80	0.72	1439	1823	27	2.20	3.0	344	436	5.3	0.90	0.83	1250	1583	27	2.55	3.2	322	408	5.3	1.00	0.94	1102	1396	27	2.90	3.8	272	344	5.5	1.15	1.1	970	1228	27	3.30	2.6	396	502	3.6	0.80	0.45	2278	2885	15	0.80	3.1	339	429	5.2	0.95	0.67	1555	1969	18	1.05	3.5	294	372	5.4	1.10	0.47	2196	2781	10	0.80	3.8	275	348	5.4	1.15	0.50	2057	2606	15	0.80	4.4	238	301	5.5	1.35	0.61	1688	2138	17	0.95	5.1	201	255	5.7	1.55	0.68	1530	1938	18	1.05	5.7	180	228	5.7	1.75	0.75	1374	1740	18	1.20	6.7	154	195	5.7	2.10	0.75	1377	1744	19	1.20	3.9	267	338	4.5	0.80	0.86	1208	1530	19	1.35	4.4	234	296	4.7	0.90	1.0	1033	1308	19	1.60	5.1	204	259	5.0	1.00	1.1	906	1148	19	1.80	5.7	180	228	5.1	1.15	1.5	702	889	19	2.35	6.6	157	199	5.3	1.35	1.7	616	780	19	2.65	7.6	136	172	5.4	1.55	1.9	543	688	19	3.00	4.0	259	328	4.3	0.80	2.2	474	601	19	3.50	4.5	228	289	4.7	0.90						4.9	209	265	4.9	1.00						5.8	178	226	5.2	1.20						6.5	159	202	5.3	1.30						7.3	141	179	5.4	1.50																																																																																																																																																																																																																																																																																																																																																																																			
0.76	1368	1733	27	2.30	5.0	207	262	7.5	2.30	0.43	2420	3065	25	1.30	5.3	194	246	7.5	2.45	0.48	2149	2722	26	1.50	6.0	174	220	7.5	2.75	0.57	1825	2311	26	1.75	2.3	452	572	2.4	0.80	0.63	1641	2078	26	1.95	2.6	403	510	4.9	0.80	0.72	1439	1823	27	2.20	3.0	344	436	5.3	0.90	0.83	1250	1583	27	2.55	3.2	322	408	5.3	1.00	0.94	1102	1396	27	2.90	3.8	272	344	5.5	1.15	1.1	970	1228	27	3.30	2.6	396	502	3.6	0.80	0.45	2278	2885	15	0.80	3.1	339	429	5.2	0.95	0.67	1555	1969	18	1.05	3.5	294	372	5.4	1.10	0.47	2196	2781	10	0.80	3.8	275	348	5.4	1.15	0.50	2057	2606	15	0.80	4.4	238	301	5.5	1.35	0.61	1688	2138	17	0.95	5.1	201	255	5.7	1.55	0.68	1530	1938	18	1.05	5.7	180	228	5.7	1.75	0.75	1374	1740	18	1.20	6.7	154	195	5.7	2.10	0.75	1377	1744	19	1.20	3.9	267	338	4.5	0.80	0.86	1208	1530	19	1.35	4.4	234	296	4.7	0.90	1.0	1033	1308	19	1.60	5.1	204	259	5.0	1.00	1.1	906	1148	19	1.80	5.7	180	228	5.1	1.15	1.5	702	889	19	2.35	6.6	157	199	5.3	1.35	1.7	616	780	19	2.65	7.6	136	172	5.4	1.55	1.9	543	688	19	3.00	4.0	259	328	4.3	0.80	2.2	474	601	19	3.50	4.5	228	289	4.7	0.90						4.9	209	265	4.9	1.00						5.8	178	226	5.2	1.20						6.5	159	202	5.3	1.30						7.3	141	179	5.4	1.50																																																																																																																																																																																																																																																																																																																																																																																													
0.43	2420	3065	25	1.30	5.3	194	246	7.5	2.45	0.48	2149	2722	26	1.50	6.0	174	220	7.5	2.75	0.57	1825	2311	26	1.75	2.3	452	572	2.4	0.80	0.63	1641	2078	26	1.95	2.6	403	510	4.9	0.80	0.72	1439	1823	27	2.20	3.0	344	436	5.3	0.90	0.83	1250	1583	27	2.55	3.2	322	408	5.3	1.00	0.94	1102	1396	27	2.90	3.8	272	344	5.5	1.15	1.1	970	1228	27	3.30	2.6	396	502	3.6	0.80	0.45	2278	2885	15	0.80	3.1	339	429	5.2	0.95	0.67	1555	1969	18	1.05	3.5	294	372	5.4	1.10	0.47	2196	2781	10	0.80	3.8	275	348	5.4	1.15	0.50	2057	2606	15	0.80	4.4	238	301	5.5	1.35	0.61	1688	2138	17	0.95	5.1	201	255	5.7	1.55	0.68	1530	1938	18	1.05	5.7	180	228	5.7	1.75	0.75	1374	1740	18	1.20	6.7	154	195	5.7	2.10	0.75	1377	1744	19	1.20	3.9	267	338	4.5	0.80	0.86	1208	1530	19	1.35	4.4	234	296	4.7	0.90	1.0	1033	1308	19	1.60	5.1	204	259	5.0	1.00	1.1	906	1148	19	1.80	5.7	180	228	5.1	1.15	1.5	702	889	19	2.35	6.6	157	199	5.3	1.35	1.7	616	780	19	2.65	7.6	136	172	5.4	1.55	1.9	543	688	19	3.00	4.0	259	328	4.3	0.80	2.2	474	601	19	3.50	4.5	228	289	4.7	0.90						4.9	209	265	4.9	1.00						5.8	178	226	5.2	1.20						6.5	159	202	5.3	1.30						7.3	141	179	5.4	1.50																																																																																																																																																																																																																																																																																																																																																																																																							
0.48	2149	2722	26	1.50	6.0	174	220	7.5	2.75	0.57	1825	2311	26	1.75	2.3	452	572	2.4	0.80	0.63	1641	2078	26	1.95	2.6	403	510	4.9	0.80	0.72	1439	1823	27	2.20	3.0	344	436	5.3	0.90	0.83	1250	1583	27	2.55	3.2	322	408	5.3	1.00	0.94	1102	1396	27	2.90	3.8	272	344	5.5	1.15	1.1	970	1228	27	3.30	2.6	396	502	3.6	0.80	0.45	2278	2885	15	0.80	3.1	339	429	5.2	0.95	0.67	1555	1969	18	1.05	3.5	294	372	5.4	1.10	0.47	2196	2781	10	0.80	3.8	275	348	5.4	1.15	0.50	2057	2606	15	0.80	4.4	238	301	5.5	1.35	0.61	1688	2138	17	0.95	5.1	201	255	5.7	1.55	0.68	1530	1938	18	1.05	5.7	180	228	5.7	1.75	0.75	1374	1740	18	1.20	6.7	154	195	5.7	2.10	0.75	1377	1744	19	1.20	3.9	267	338	4.5	0.80	0.86	1208	1530	19	1.35	4.4	234	296	4.7	0.90	1.0	1033	1308	19	1.60	5.1	204	259	5.0	1.00	1.1	906	1148	19	1.80	5.7	180	228	5.1	1.15	1.5	702	889	19	2.35	6.6	157	199	5.3	1.35	1.7	616	780	19	2.65	7.6	136	172	5.4	1.55	1.9	543	688	19	3.00	4.0	259	328	4.3	0.80	2.2	474	601	19	3.50	4.5	228	289	4.7	0.90						4.9	209	265	4.9	1.00						5.8	178	226	5.2	1.20						6.5	159	202	5.3	1.30						7.3	141	179	5.4	1.50																																																																																																																																																																																																																																																																																																																																																																																																																	
0.57	1825	2311	26	1.75	2.3	452	572	2.4	0.80	0.63	1641	2078	26	1.95	2.6	403	510	4.9	0.80	0.72	1439	1823	27	2.20	3.0	344	436	5.3	0.90	0.83	1250	1583	27	2.55	3.2	322	408	5.3	1.00	0.94	1102	1396	27	2.90	3.8	272	344	5.5	1.15	1.1	970	1228	27	3.30	2.6	396	502	3.6	0.80	0.45	2278	2885	15	0.80	3.1	339	429	5.2	0.95	0.67	1555	1969	18	1.05	3.5	294	372	5.4	1.10	0.47	2196	2781	10	0.80	3.8	275	348	5.4	1.15	0.50	2057	2606	15	0.80	4.4	238	301	5.5	1.35	0.61	1688	2138	17	0.95	5.1	201	255	5.7	1.55	0.68	1530	1938	18	1.05	5.7	180	228	5.7	1.75	0.75	1374	1740	18	1.20	6.7	154	195	5.7	2.10	0.75	1377	1744	19	1.20	3.9	267	338	4.5	0.80	0.86	1208	1530	19	1.35	4.4	234	296	4.7	0.90	1.0	1033	1308	19	1.60	5.1	204	259	5.0	1.00	1.1	906	1148	19	1.80	5.7	180	228	5.1	1.15	1.5	702	889	19	2.35	6.6	157	199	5.3	1.35	1.7	616	780	19	2.65	7.6	136	172	5.4	1.55	1.9	543	688	19	3.00	4.0	259	328	4.3	0.80	2.2	474	601	19	3.50	4.5	228	289	4.7	0.90						4.9	209	265	4.9	1.00						5.8	178	226	5.2	1.20						6.5	159	202	5.3	1.30						7.3	141	179	5.4	1.50																																																																																																																																																																																																																																																																																																																																																																																																																											
0.63	1641	2078	26	1.95	2.6	403	510	4.9	0.80	0.72	1439	1823	27	2.20	3.0	344	436	5.3	0.90	0.83	1250	1583	27	2.55	3.2	322	408	5.3	1.00	0.94	1102	1396	27	2.90	3.8	272	344	5.5	1.15	1.1	970	1228	27	3.30	2.6	396	502	3.6	0.80	0.45	2278	2885	15	0.80	3.1	339	429	5.2	0.95	0.67	1555	1969	18	1.05	3.5	294	372	5.4	1.10	0.47	2196	2781	10	0.80	3.8	275	348	5.4	1.15	0.50	2057	2606	15	0.80	4.4	238	301	5.5	1.35	0.61	1688	2138	17	0.95	5.1	201	255	5.7	1.55	0.68	1530	1938	18	1.05	5.7	180	228	5.7	1.75	0.75	1374	1740	18	1.20	6.7	154	195	5.7	2.10	0.75	1377	1744	19	1.20	3.9	267	338	4.5	0.80	0.86	1208	1530	19	1.35	4.4	234	296	4.7	0.90	1.0	1033	1308	19	1.60	5.1	204	259	5.0	1.00	1.1	906	1148	19	1.80	5.7	180	228	5.1	1.15	1.5	702	889	19	2.35	6.6	157	199	5.3	1.35	1.7	616	780	19	2.65	7.6	136	172	5.4	1.55	1.9	543	688	19	3.00	4.0	259	328	4.3	0.80	2.2	474	601	19	3.50	4.5	228	289	4.7	0.90						4.9	209	265	4.9	1.00						5.8	178	226	5.2	1.20						6.5	159	202	5.3	1.30						7.3	141	179	5.4	1.50																																																																																																																																																																																																																																																																																																																																																																																																																																					
0.72	1439	1823	27	2.20	3.0	344	436	5.3	0.90	0.83	1250	1583	27	2.55	3.2	322	408	5.3	1.00	0.94	1102	1396	27	2.90	3.8	272	344	5.5	1.15	1.1	970	1228	27	3.30	2.6	396	502	3.6	0.80	0.45	2278	2885	15	0.80	3.1	339	429	5.2	0.95	0.67	1555	1969	18	1.05	3.5	294	372	5.4	1.10	0.47	2196	2781	10	0.80	3.8	275	348	5.4	1.15	0.50	2057	2606	15	0.80	4.4	238	301	5.5	1.35	0.61	1688	2138	17	0.95	5.1	201	255	5.7	1.55	0.68	1530	1938	18	1.05	5.7	180	228	5.7	1.75	0.75	1374	1740	18	1.20	6.7	154	195	5.7	2.10	0.75	1377	1744	19	1.20	3.9	267	338	4.5	0.80	0.86	1208	1530	19	1.35	4.4	234	296	4.7	0.90	1.0	1033	1308	19	1.60	5.1	204	259	5.0	1.00	1.1	906	1148	19	1.80	5.7	180	228	5.1	1.15	1.5	702	889	19	2.35	6.6	157	199	5.3	1.35	1.7	616	780	19	2.65	7.6	136	172	5.4	1.55	1.9	543	688	19	3.00	4.0	259	328	4.3	0.80	2.2	474	601	19	3.50	4.5	228	289	4.7	0.90						4.9	209	265	4.9	1.00						5.8	178	226	5.2	1.20						6.5	159	202	5.3	1.30						7.3	141	179	5.4	1.50																																																																																																																																																																																																																																																																																																																																																																																																																																															
0.83	1250	1583	27	2.55	3.2	322	408	5.3	1.00	0.94	1102	1396	27	2.90	3.8	272	344	5.5	1.15	1.1	970	1228	27	3.30	2.6	396	502	3.6	0.80	0.45	2278	2885	15	0.80	3.1	339	429	5.2	0.95	0.67	1555	1969	18	1.05	3.5	294	372	5.4	1.10	0.47	2196	2781	10	0.80	3.8	275	348	5.4	1.15	0.50	2057	2606	15	0.80	4.4	238	301	5.5	1.35	0.61	1688	2138	17	0.95	5.1	201	255	5.7	1.55	0.68	1530	1938	18	1.05	5.7	180	228	5.7	1.75	0.75	1374	1740	18	1.20	6.7	154	195	5.7	2.10	0.75	1377	1744	19	1.20	3.9	267	338	4.5	0.80	0.86	1208	1530	19	1.35	4.4	234	296	4.7	0.90	1.0	1033	1308	19	1.60	5.1	204	259	5.0	1.00	1.1	906	1148	19	1.80	5.7	180	228	5.1	1.15	1.5	702	889	19	2.35	6.6	157	199	5.3	1.35	1.7	616	780	19	2.65	7.6	136	172	5.4	1.55	1.9	543	688	19	3.00	4.0	259	328	4.3	0.80	2.2	474	601	19	3.50	4.5	228	289	4.7	0.90						4.9	209	265	4.9	1.00						5.8	178	226	5.2	1.20						6.5	159	202	5.3	1.30						7.3	141	179	5.4	1.50																																																																																																																																																																																																																																																																																																																																																																																																																																																									
0.94	1102	1396	27	2.90	3.8	272	344	5.5	1.15	1.1	970	1228	27	3.30	2.6	396	502	3.6	0.80	0.45	2278	2885	15	0.80	3.1	339	429	5.2	0.95	0.67	1555	1969	18	1.05	3.5	294	372	5.4	1.10	0.47	2196	2781	10	0.80	3.8	275	348	5.4	1.15	0.50	2057	2606	15	0.80	4.4	238	301	5.5	1.35	0.61	1688	2138	17	0.95	5.1	201	255	5.7	1.55	0.68	1530	1938	18	1.05	5.7	180	228	5.7	1.75	0.75	1374	1740	18	1.20	6.7	154	195	5.7	2.10	0.75	1377	1744	19	1.20	3.9	267	338	4.5	0.80	0.86	1208	1530	19	1.35	4.4	234	296	4.7	0.90	1.0	1033	1308	19	1.60	5.1	204	259	5.0	1.00	1.1	906	1148	19	1.80	5.7	180	228	5.1	1.15	1.5	702	889	19	2.35	6.6	157	199	5.3	1.35	1.7	616	780	19	2.65	7.6	136	172	5.4	1.55	1.9	543	688	19	3.00	4.0	259	328	4.3	0.80	2.2	474	601	19	3.50	4.5	228	289	4.7	0.90						4.9	209	265	4.9	1.00						5.8	178	226	5.2	1.20						6.5	159	202	5.3	1.30						7.3	141	179	5.4	1.50																																																																																																																																																																																																																																																																																																																																																																																																																																																																			
1.1	970	1228	27	3.30	2.6	396	502	3.6	0.80	0.45	2278	2885	15	0.80	3.1	339	429	5.2	0.95	0.67	1555	1969	18	1.05	3.5	294	372	5.4	1.10	0.47	2196	2781	10	0.80	3.8	275	348	5.4	1.15	0.50	2057	2606	15	0.80	4.4	238	301	5.5	1.35	0.61	1688	2138	17	0.95	5.1	201	255	5.7	1.55	0.68	1530	1938	18	1.05	5.7	180	228	5.7	1.75	0.75	1374	1740	18	1.20	6.7	154	195	5.7	2.10	0.75	1377	1744	19	1.20	3.9	267	338	4.5	0.80	0.86	1208	1530	19	1.35	4.4	234	296	4.7	0.90	1.0	1033	1308	19	1.60	5.1	204	259	5.0	1.00	1.1	906	1148	19	1.80	5.7	180	228	5.1	1.15	1.5	702	889	19	2.35	6.6	157	199	5.3	1.35	1.7	616	780	19	2.65	7.6	136	172	5.4	1.55	1.9	543	688	19	3.00	4.0	259	328	4.3	0.80	2.2	474	601	19	3.50	4.5	228	289	4.7	0.90						4.9	209	265	4.9	1.00						5.8	178	226	5.2	1.20						6.5	159	202	5.3	1.30						7.3	141	179	5.4	1.50																																																																																																																																																																																																																																																																																																																																																																																																																																																																													
0.45	2278	2885	15	0.80	3.1	339	429	5.2	0.95	0.67	1555	1969	18	1.05	3.5	294	372	5.4	1.10	0.47	2196	2781	10	0.80	3.8	275	348	5.4	1.15	0.50	2057	2606	15	0.80	4.4	238	301	5.5	1.35	0.61	1688	2138	17	0.95	5.1	201	255	5.7	1.55	0.68	1530	1938	18	1.05	5.7	180	228	5.7	1.75	0.75	1374	1740	18	1.20	6.7	154	195	5.7	2.10	0.75	1377	1744	19	1.20	3.9	267	338	4.5	0.80	0.86	1208	1530	19	1.35	4.4	234	296	4.7	0.90	1.0	1033	1308	19	1.60	5.1	204	259	5.0	1.00	1.1	906	1148	19	1.80	5.7	180	228	5.1	1.15	1.5	702	889	19	2.35	6.6	157	199	5.3	1.35	1.7	616	780	19	2.65	7.6	136	172	5.4	1.55	1.9	543	688	19	3.00	4.0	259	328	4.3	0.80	2.2	474	601	19	3.50	4.5	228	289	4.7	0.90						4.9	209	265	4.9	1.00						5.8	178	226	5.2	1.20						6.5	159	202	5.3	1.30						7.3	141	179	5.4	1.50																																																																																																																																																																																																																																																																																																																																																																																																																																																																																							
0.67	1555	1969	18	1.05	3.5	294	372	5.4	1.10	0.47	2196	2781	10	0.80	3.8	275	348	5.4	1.15	0.50	2057	2606	15	0.80	4.4	238	301	5.5	1.35	0.61	1688	2138	17	0.95	5.1	201	255	5.7	1.55	0.68	1530	1938	18	1.05	5.7	180	228	5.7	1.75	0.75	1374	1740	18	1.20	6.7	154	195	5.7	2.10	0.75	1377	1744	19	1.20	3.9	267	338	4.5	0.80	0.86	1208	1530	19	1.35	4.4	234	296	4.7	0.90	1.0	1033	1308	19	1.60	5.1	204	259	5.0	1.00	1.1	906	1148	19	1.80	5.7	180	228	5.1	1.15	1.5	702	889	19	2.35	6.6	157	199	5.3	1.35	1.7	616	780	19	2.65	7.6	136	172	5.4	1.55	1.9	543	688	19	3.00	4.0	259	328	4.3	0.80	2.2	474	601	19	3.50	4.5	228	289	4.7	0.90						4.9	209	265	4.9	1.00						5.8	178	226	5.2	1.20						6.5	159	202	5.3	1.30						7.3	141	179	5.4	1.50																																																																																																																																																																																																																																																																																																																																																																																																																																																																																																	
0.47	2196	2781	10	0.80	3.8	275	348	5.4	1.15	0.50	2057	2606	15	0.80	4.4	238	301	5.5	1.35	0.61	1688	2138	17	0.95	5.1	201	255	5.7	1.55	0.68	1530	1938	18	1.05	5.7	180	228	5.7	1.75	0.75	1374	1740	18	1.20	6.7	154	195	5.7	2.10	0.75	1377	1744	19	1.20	3.9	267	338	4.5	0.80	0.86	1208	1530	19	1.35	4.4	234	296	4.7	0.90	1.0	1033	1308	19	1.60	5.1	204	259	5.0	1.00	1.1	906	1148	19	1.80	5.7	180	228	5.1	1.15	1.5	702	889	19	2.35	6.6	157	199	5.3	1.35	1.7	616	780	19	2.65	7.6	136	172	5.4	1.55	1.9	543	688	19	3.00	4.0	259	328	4.3	0.80	2.2	474	601	19	3.50	4.5	228	289	4.7	0.90						4.9	209	265	4.9	1.00						5.8	178	226	5.2	1.20						6.5	159	202	5.3	1.30						7.3	141	179	5.4	1.50																																																																																																																																																																																																																																																																																																																																																																																																																																																																																																											
0.50	2057	2606	15	0.80	4.4	238	301	5.5	1.35	0.61	1688	2138	17	0.95	5.1	201	255	5.7	1.55	0.68	1530	1938	18	1.05	5.7	180	228	5.7	1.75	0.75	1374	1740	18	1.20	6.7	154	195	5.7	2.10	0.75	1377	1744	19	1.20	3.9	267	338	4.5	0.80	0.86	1208	1530	19	1.35	4.4	234	296	4.7	0.90	1.0	1033	1308	19	1.60	5.1	204	259	5.0	1.00	1.1	906	1148	19	1.80	5.7	180	228	5.1	1.15	1.5	702	889	19	2.35	6.6	157	199	5.3	1.35	1.7	616	780	19	2.65	7.6	136	172	5.4	1.55	1.9	543	688	19	3.00	4.0	259	328	4.3	0.80	2.2	474	601	19	3.50	4.5	228	289	4.7	0.90						4.9	209	265	4.9	1.00						5.8	178	226	5.2	1.20						6.5	159	202	5.3	1.30						7.3	141	179	5.4	1.50																																																																																																																																																																																																																																																																																																																																																																																																																																																																																																																					
0.61	1688	2138	17	0.95	5.1	201	255	5.7	1.55	0.68	1530	1938	18	1.05	5.7	180	228	5.7	1.75	0.75	1374	1740	18	1.20	6.7	154	195	5.7	2.10	0.75	1377	1744	19	1.20	3.9	267	338	4.5	0.80	0.86	1208	1530	19	1.35	4.4	234	296	4.7	0.90	1.0	1033	1308	19	1.60	5.1	204	259	5.0	1.00	1.1	906	1148	19	1.80	5.7	180	228	5.1	1.15	1.5	702	889	19	2.35	6.6	157	199	5.3	1.35	1.7	616	780	19	2.65	7.6	136	172	5.4	1.55	1.9	543	688	19	3.00	4.0	259	328	4.3	0.80	2.2	474	601	19	3.50	4.5	228	289	4.7	0.90						4.9	209	265	4.9	1.00						5.8	178	226	5.2	1.20						6.5	159	202	5.3	1.30						7.3	141	179	5.4	1.50																																																																																																																																																																																																																																																																																																																																																																																																																																																																																																																															
0.68	1530	1938	18	1.05	5.7	180	228	5.7	1.75	0.75	1374	1740	18	1.20	6.7	154	195	5.7	2.10	0.75	1377	1744	19	1.20	3.9	267	338	4.5	0.80	0.86	1208	1530	19	1.35	4.4	234	296	4.7	0.90	1.0	1033	1308	19	1.60	5.1	204	259	5.0	1.00	1.1	906	1148	19	1.80	5.7	180	228	5.1	1.15	1.5	702	889	19	2.35	6.6	157	199	5.3	1.35	1.7	616	780	19	2.65	7.6	136	172	5.4	1.55	1.9	543	688	19	3.00	4.0	259	328	4.3	0.80	2.2	474	601	19	3.50	4.5	228	289	4.7	0.90						4.9	209	265	4.9	1.00						5.8	178	226	5.2	1.20						6.5	159	202	5.3	1.30						7.3	141	179	5.4	1.50																																																																																																																																																																																																																																																																																																																																																																																																																																																																																																																																									
0.75	1374	1740	18	1.20	6.7	154	195	5.7	2.10	0.75	1377	1744	19	1.20	3.9	267	338	4.5	0.80	0.86	1208	1530	19	1.35	4.4	234	296	4.7	0.90	1.0	1033	1308	19	1.60	5.1	204	259	5.0	1.00	1.1	906	1148	19	1.80	5.7	180	228	5.1	1.15	1.5	702	889	19	2.35	6.6	157	199	5.3	1.35	1.7	616	780	19	2.65	7.6	136	172	5.4	1.55	1.9	543	688	19	3.00	4.0	259	328	4.3	0.80	2.2	474	601	19	3.50	4.5	228	289	4.7	0.90						4.9	209	265	4.9	1.00						5.8	178	226	5.2	1.20						6.5	159	202	5.3	1.30						7.3	141	179	5.4	1.50																																																																																																																																																																																																																																																																																																																																																																																																																																																																																																																																																			
0.75	1377	1744	19	1.20	3.9	267	338	4.5	0.80	0.86	1208	1530	19	1.35	4.4	234	296	4.7	0.90	1.0	1033	1308	19	1.60	5.1	204	259	5.0	1.00	1.1	906	1148	19	1.80	5.7	180	228	5.1	1.15	1.5	702	889	19	2.35	6.6	157	199	5.3	1.35	1.7	616	780	19	2.65	7.6	136	172	5.4	1.55	1.9	543	688	19	3.00	4.0	259	328	4.3	0.80	2.2	474	601	19	3.50	4.5	228	289	4.7	0.90						4.9	209	265	4.9	1.00						5.8	178	226	5.2	1.20						6.5	159	202	5.3	1.30						7.3	141	179	5.4	1.50																																																																																																																																																																																																																																																																																																																																																																																																																																																																																																																																																													
0.86	1208	1530	19	1.35	4.4	234	296	4.7	0.90	1.0	1033	1308	19	1.60	5.1	204	259	5.0	1.00	1.1	906	1148	19	1.80	5.7	180	228	5.1	1.15	1.5	702	889	19	2.35	6.6	157	199	5.3	1.35	1.7	616	780	19	2.65	7.6	136	172	5.4	1.55	1.9	543	688	19	3.00	4.0	259	328	4.3	0.80	2.2	474	601	19	3.50	4.5	228	289	4.7	0.90						4.9	209	265	4.9	1.00						5.8	178	226	5.2	1.20						6.5	159	202	5.3	1.30						7.3	141	179	5.4	1.50																																																																																																																																																																																																																																																																																																																																																																																																																																																																																																																																																																							
1.0	1033	1308	19	1.60	5.1	204	259	5.0	1.00	1.1	906	1148	19	1.80	5.7	180	228	5.1	1.15	1.5	702	889	19	2.35	6.6	157	199	5.3	1.35	1.7	616	780	19	2.65	7.6	136	172	5.4	1.55	1.9	543	688	19	3.00	4.0	259	328	4.3	0.80	2.2	474	601	19	3.50	4.5	228	289	4.7	0.90						4.9	209	265	4.9	1.00						5.8	178	226	5.2	1.20						6.5	159	202	5.3	1.30						7.3	141	179	5.4	1.50																																																																																																																																																																																																																																																																																																																																																																																																																																																																																																																																																																																	
1.1	906	1148	19	1.80	5.7	180	228	5.1	1.15	1.5	702	889	19	2.35	6.6	157	199	5.3	1.35	1.7	616	780	19	2.65	7.6	136	172	5.4	1.55	1.9	543	688	19	3.00	4.0	259	328	4.3	0.80	2.2	474	601	19	3.50	4.5	228	289	4.7	0.90						4.9	209	265	4.9	1.00						5.8	178	226	5.2	1.20						6.5	159	202	5.3	1.30						7.3	141	179	5.4	1.50																																																																																																																																																																																																																																																																																																																																																																																																																																																																																																																																																																																											
1.5	702	889	19	2.35	6.6	157	199	5.3	1.35	1.7	616	780	19	2.65	7.6	136	172	5.4	1.55	1.9	543	688	19	3.00	4.0	259	328	4.3	0.80	2.2	474	601	19	3.50	4.5	228	289	4.7	0.90						4.9	209	265	4.9	1.00						5.8	178	226	5.2	1.20						6.5	159	202	5.3	1.30						7.3	141	179	5.4	1.50																																																																																																																																																																																																																																																																																																																																																																																																																																																																																																																																																																																																					
1.7	616	780	19	2.65	7.6	136	172	5.4	1.55	1.9	543	688	19	3.00	4.0	259	328	4.3	0.80	2.2	474	601	19	3.50	4.5	228	289	4.7	0.90						4.9	209	265	4.9	1.00						5.8	178	226	5.2	1.20						6.5	159	202	5.3	1.30						7.3	141	179	5.4	1.50																																																																																																																																																																																																																																																																																																																																																																																																																																																																																																																																																																																																															
1.9	543	688	19	3.00	4.0	259	328	4.3	0.80	2.2	474	601	19	3.50	4.5	228	289	4.7	0.90						4.9	209	265	4.9	1.00						5.8	178	226	5.2	1.20						6.5	159	202	5.3	1.30						7.3	141	179	5.4	1.50																																																																																																																																																																																																																																																																																																																																																																																																																																																																																																																																																																																																																									
2.2	474	601	19	3.50	4.5	228	289	4.7	0.90						4.9	209	265	4.9	1.00						5.8	178	226	5.2	1.20						6.5	159	202	5.3	1.30						7.3	141	179	5.4	1.50																																																																																																																																																																																																																																																																																																																																																																																																																																																																																																																																																																																																																																			
					4.9	209	265	4.9	1.00						5.8	178	226	5.2	1.20						6.5	159	202	5.3	1.30						7.3	141	179	5.4	1.50																																																																																																																																																																																																																																																																																																																																																																																																																																																																																																																																																																																																																																													
					5.8	178	226	5.2	1.20						6.5	159	202	5.3	1.30						7.3	141	179	5.4	1.50																																																																																																																																																																																																																																																																																																																																																																																																																																																																																																																																																																																																																																																							
					6.5	159	202	5.3	1.30						7.3	141	179	5.4	1.50																																																																																																																																																																																																																																																																																																																																																																																																																																																																																																																																																																																																																																																																	
					7.3	141	179	5.4	1.50																																																																																																																																																																																																																																																																																																																																																																																																																																																																																																																																																																																																																																																																											

选型参数表

(恒功率) 0.12kW

Selection Table

(Constant Power) 0.12kW

n_a [r/min]	M_a [Nm]	i	F_{Ra} [kN]	f_B	机型号 Type size	极数 Pole	n_a [r/min]	M_a [Nm]	i	F_{Ra} [kN]	f_B	机型号 Type size	极数 Pole																																																																																																																																																																																																																																																																																																																																																																																																																																																																																																													
0.12kW							0.12kW																																																																																																																																																																																																																																																																																																																																																																																																																																																																																																																			
5.7	181	229	3.9	0.80	GR29R19 GRF29R19	4P	15	68	84.78	4.2	1.85	GR29 GRF29	4P																																																																																																																																																																																																																																																																																																																																																																																																																																																																																																													
6.6	158	200	4.0	0.85			7.4	140	177	4.1	1.00			7.9	131	166	4.1	1.05	5.8	179	227	3.9	0.80	GR29R19 GRF29R19	4P	18	60	74.11	4.2	2.10	6.5	160	203	4.0	0.85	7.3	141	179	4.1	1.00	8.4	123	156	4.1	1.10	4.4	250	195.24	12	3.30	GR79 GRF79	6P*	19	56	69.47	4.2	2.20	5.1	213	166.59	12	3.90	5.8	187	145.67	12	4.40	4.3	256	199.81	10	2.40	GR69 GRF69	6P*	21	49	61.30	4.2	2.50	4.6	236	184.07	10	2.60	5.4	203	158.14	10	3.00	6.2	176	137.67	10	3.40	6.6	165	128.97	10	3.70	7.5	90	113.94	10	4.10	6.6	166	199.81	10	3.60	GR69 GRF69	4P	23	39	48.17	3.9	3.20	7.1	153	184.07	10	3.90	4.5	239	186.89	7.4	1.90	GR59 GRF59	6P*	29	36	44.90	3.8	3.50	4.9	221	172.17	7.4	2.00	5.7	189	147.92	7.5	2.40	6.6	165	128.77	7.5	2.70	7.0	155	120.63	7.5	2.90	8.0	137	106.58	7.6	3.30	8.6	127	98.99	7.6	3.60	7.0	155	186.89	7.5	2.90	GR59 GRF59	4P	7.6	143	172.17	7.5	3.20	8.9	123	147.92	7.6	3.70	10.2	107	128.77	7.6	4.20	4.8	227	176.88	5.5	1.35	GR49 GRF49	6P*	52	20	25.23	2.1	4.10	5.2	209	162.94	5.5	1.45	6.1	179	139.99	5.6	1.70	7.0	156	121.87	5.7	1.95	7.4	147	176.88	5.7	2.00	GR49 GRF49	4P	57	19	23.15	2.0	4.40	8.0	135	162.94	5.7	2.20	9.4	116	139.99	5.8	2.60	11	101	121.87	5.8	3.00	11	95	114.17	5.8	3.20	13	84	100.86	5.8	3.60	14	78	93.68	5.8	3.90	6.3	167	134.82	5.0	1.15	GR39 GRF39	6P*	6.9	153	123.66	5.1	1.25	8.1	131	105.28	5.3	1.50	9.4	113	90.77	5.4	1.75	10	105	84.61	5.5	1.85	11	92	73.96	5.6	2.10	9.7	109	134.82	5.5	1.80	GR39 GRF39	4P	11	100	123.66	5.5	1.95	12	85	105.28	5.6	2.30	14	73	90.77	5.6	2.70	15	68	84.61	5.7	2.80	18	60	73.96	5.7	3.30	6.9	154	123.91	3.9	0.80	GR29 GRF29	6P*	8.1	131	105.49	4.0	0.95	9.3	113	90.96	4.1	1.10	10	105	84.78	4.1	1.20	11	92	74.11	4.2	1.40	9.7	109	135.09	4.1	1.15	GR29 GRF29	4P	11	100	123.91	4.1	1.25	12	85	105.49	4.2	1.50	14	73	90.96	4.2	1.70	14	73	90.96	4.2	1.70	216	5.2	6.07	4.1	8.60	GRX69 GRXF69	4P	253	4.4	5.18	3.8	17	289	3.9	4.53	3.7	22	305	3.7	4.30	3.6	22	238	4.7	5.50	3.2	8.50	GRX59 GRXF59	4P	258	4.3	5.07	3.1	8.60	301	3.7	4.35	3.0	19	346	3.2	3.79	2.8	22	369	3.0	3.55	2.8	24	417	2.7	3.14	2.7	25	450	2.5	2.91	2.6	28	496	2.3	2.64	2.5	31	553	2.0	2.37	2.4	35	642	1.7	2.04	2.3	41	682	1.6	1.92	2.3	43	794	1.4	1.65	2.1	49																																																		
7.4	140	177	4.1	1.00			7.9	131	166	4.1	1.05			5.8	179	227	3.9	0.80	GR29R19 GRF29R19	4P	18	60	74.11			4.2	2.10	6.5	160	203	4.0	0.85	7.3	141	179	4.1	1.00	8.4	123	156	4.1	1.10	4.4	250	195.24	12	3.30	GR79 GRF79	6P*	19			56	69.47	4.2	2.20	5.1	213	166.59	12	3.90	5.8	187	145.67	12	4.40	4.3	256	199.81	10	2.40	GR69 GRF69			6P*	21	49	61.30	4.2	2.50	4.6	236	184.07	10	2.60	5.4	203	158.14	10	3.00	6.2	176	137.67	10	3.40	6.6	165	128.97	10	3.70	7.5	90	113.94	10	4.10	6.6	166	199.81	10			3.60	GR69 GRF69	4P	23	39	48.17	3.9	3.20	7.1	153	184.07	10	3.90	4.5	239			186.89	7.4	1.90	GR59 GRF59	6P*	29	36	44.90	3.8	3.50	4.9	221	172.17	7.4	2.00	5.7	189	147.92	7.5	2.40	6.6	165	128.77	7.5	2.70	7.0	155	120.63	7.5	2.90	8.0	137	106.58	7.6	3.30	8.6	127	98.99	7.6	3.60			7.0	155	186.89	7.5	2.90	GR59 GRF59	4P	7.6	143	172.17	7.5	3.20	8.9	123	147.92	7.6	3.70	10.2	107	128.77			7.6	4.20	4.8	227	176.88	5.5	1.35	GR49 GRF49	6P*	52	20	25.23	2.1	4.10	5.2	209	162.94	5.5	1.45	6.1	179	139.99	5.6	1.70	7.0			156	121.87	5.7	1.95	7.4	147	176.88	5.7	2.00	GR49 GRF49	4P	57	19	23.15	2.0	4.40	8.0	135	162.94	5.7	2.20	9.4	116	139.99	5.8	2.60	11	101	121.87	5.8	3.00	11	95	114.17	5.8	3.20	13	84	100.86	5.8			3.60	14	78	93.68	5.8	3.90	6.3	167	134.82	5.0	1.15	GR39 GRF39	6P*	6.9	153	123.66	5.1	1.25	8.1	131	105.28	5.3	1.50	9.4	113	90.77	5.4	1.75	10	105			84.61	5.5	1.85	11	92	73.96	5.6	2.10	9.7	109	134.82	5.5	1.80	GR39 GRF39	4P	11	100	123.66	5.5	1.95	12	85	105.28	5.6	2.30	14	73	90.77	5.6	2.70			15	68	84.61	5.7	2.80	18	60	73.96	5.7	3.30	6.9	154	123.91	3.9	0.80	GR29 GRF29	6P*	8.1	131	105.49	4.0	0.95	9.3	113	90.96			4.1	1.10	10	105	84.78	4.1	1.20	11	92	74.11	4.2	1.40	9.7	109	135.09	4.1	1.15	GR29 GRF29	4P	11	100	123.91	4.1	1.25	12			85	105.49	4.2	1.50	14	73	90.96	4.2	1.70	14	73	90.96	4.2	1.70	216	5.2	6.07	4.1	8.60	GRX69 GRXF69			4P	253	4.4	5.18	3.8	17	289	3.9	4.53	3.7	22	305	3.7	4.30	3.6	22	238	4.7	5.50	3.2	8.50	GRX59 GRXF59	4P	258	4.3	5.07	3.1	8.60	301	3.7	4.35	3.0	19	346	3.2	3.79	2.8	22	369	3.0	3.55	2.8	24	417	2.7	3.14	2.7	25	450	2.5	2.91	2.6	28	496	2.3	2.64	2.5	31	553	2.0	2.37	2.4	35	642	1.7	2.04	2.3	41	682	1.6	1.92	2.3	43	794	1.4	1.65	2.1	49																											
7.9	131	166	4.1	1.05			5.8	179	227	3.9	0.80			GR29R19 GRF29R19	4P	18	60	74.11			4.2	2.10	6.5			160	203	4.0	0.85	7.3	141	179	4.1	1.00	8.4	123	156	4.1	1.10	4.4	250	195.24	12	3.30	GR79 GRF79	6P*	19			56			69.47	4.2	2.20	5.1	213	166.59	12	3.90	5.8	187	145.67	12	4.40	4.3	256	199.81	10	2.40	GR69 GRF69					6P*	21	49	61.30	4.2	2.50	4.6	236	184.07	10	2.60	5.4	203	158.14	10	3.00	6.2	176	137.67	10	3.40	6.6	165	128.97	10	3.70	7.5	90	113.94	10	4.10	6.6	166	199.81	10	3.60	GR69 GRF69			4P	23	39	48.17	3.9	3.20	7.1	153	184.07	10	3.90	4.5			239	186.89	7.4			1.90	GR59 GRF59	6P*	29	36	44.90	3.8	3.50	4.9	221	172.17	7.4	2.00	5.7	189	147.92	7.5	2.40	6.6	165	128.77	7.5	2.70	7.0	155	120.63	7.5	2.90	8.0	137	106.58	7.6	3.30	8.6	127			98.99	7.6	3.60	7.0	155			186.89	7.5	2.90	GR59 GRF59	4P	7.6	143	172.17	7.5	3.20	8.9	123	147.92			7.6	3.70	10.2	107	128.77	7.6	4.20			4.8	227	176.88	5.5	1.35	GR49 GRF49	6P*	52	20	25.23	2.1	4.10	5.2	209	162.94	5.5			1.45	6.1	179	139.99	5.6	1.70	7.0	156	121.87			5.7	1.95	7.4	147	176.88	5.7	2.00	GR49 GRF49	4P	57	19	23.15	2.0	4.40	8.0	135	162.94	5.7	2.20	9.4	116	139.99	5.8	2.60	11	101	121.87	5.8	3.00			11	95	114.17	5.8	3.20	13	84	100.86	5.8	3.60	14			78	93.68	5.8	3.90	6.3	167	134.82	5.0	1.15	GR39 GRF39	6P*	6.9	153	123.66	5.1	1.25	8.1			131	105.28	5.3	1.50	9.4	113	90.77	5.4	1.75	10	105	84.61	5.5			1.85	11	92	73.96	5.6	2.10	9.7	109	134.82	5.5	1.80	GR39 GRF39	4P	11	100			123.66	5.5	1.95	12	85	105.28	5.6	2.30	14	73	90.77	5.6	2.70	15	68			84.61	5.7	2.80	18	60	73.96	5.7	3.30			6.9	154	123.91	3.9	0.80	GR29 GRF29	6P*	8.1	131	105.49	4.0	0.95	9.3	113	90.96	4.1	1.10			10	105	84.78	4.1	1.20	11			92	74.11	4.2	1.40	9.7	109	135.09	4.1	1.15	GR29 GRF29	4P	11	100	123.91	4.1	1.25	12	85	105.49					4.2	1.50	14	73	90.96	4.2	1.70	14	73	90.96	4.2	1.70	216	5.2	6.07	4.1	8.60	GRX69 GRXF69	4P	253			4.4	5.18	3.8	17	289	3.9	4.53	3.7	22	305	3.7	4.30	3.6	22	238	4.7	5.50	3.2	8.50	GRX59 GRXF59	4P	258	4.3	5.07	3.1	8.60	301	3.7	4.35	3.0	19	346	3.2	3.79	2.8	22	369	3.0	3.55	2.8	24	417	2.7	3.14	2.7	25	450	2.5	2.91	2.6	28	496	2.3	2.64	2.5	31	553	2.0	2.37	2.4	35	642	1.7	2.04	2.3	41	682	1.6	1.92	2.3	43	794	1.4	1.65	2.1	49						
5.8	179	227	3.9	0.80	GR29R19 GRF29R19	4P	18	60	74.11	4.2	2.10					6.5	160	203			4.0	0.85	7.3			141	179	4.1	1.00	8.4	123	156	4.1	1.10	4.4	250	195.24	12	3.30	GR79 GRF79	6P*	19	56	69.47			4.2			2.20	5.1	213	166.59	12	3.90	5.8	187	145.67	12	4.40	4.3	256	199.81	10	2.40	GR69 GRF69	6P*	21	49	61.30							4.2	2.50	4.6	236	184.07	10	2.60	5.4	203	158.14	10	3.00	6.2	176	137.67	10	3.40	6.6	165	128.97	10	3.70	7.5	90	113.94	10	4.10	6.6	166	199.81	10	3.60	GR69 GRF69	4P	23		39	48.17		3.9	3.20	7.1	153	184.07	10	3.90	4.5	239	186.89	7.4			1.90	GR59 GRF59	6P*			29			36	44.90	3.8	3.50	4.9	221	172.17	7.4	2.00	5.7	189	147.92	7.5	2.40	6.6	165	128.77	7.5	2.70	7.0	155	120.63	7.5	2.90	8.0	137	106.58	7.6	3.30	8.6	127	98.99			7.6	3.60	7.0	155	186.89			7.5	2.90	GR59 GRF59			4P	7.6	143	172.17	7.5	3.20	8.9	123			147.92	7.6	3.70	10.2	107	128.77	7.6			4.20	4.8	227	176.88	5.5			1.35	GR49 GRF49	6P*	52	20	25.23	2.1	4.10	5.2			209	162.94	5.5	1.45	6.1	179	139.99	5.6	1.70			7.0	156	121.87	5.7	1.95	7.4	147			176.88	5.7	2.00	GR49 GRF49	4P	57	19	23.15	2.0	4.40	8.0	135	162.94	5.7	2.20	9.4	116	139.99	5.8	2.60			11	101	121.87	5.8	3.00	11	95	114.17	5.8	3.20	13			84	100.86	5.8	3.60	14	78	93.68	5.8	3.90			6.3	167	134.82	5.0	1.15	GR39 GRF39			6P*	6.9	153	123.66	5.1	1.25	8.1	131	105.28	5.3	1.50	9.4	113			90.77	5.4	1.75	10	105	84.61	5.5	1.85	11	92	73.96			5.6	2.10			9.7	109	134.82	5.5	1.80	GR39 GRF39	4P	11	100	123.66	5.5	1.95	12	85	105.28			5.6	2.30	14	73	90.77	5.6	2.70	15			68	84.61	5.7	2.80	18			60	73.96	5.7	3.30	6.9	154	123.91	3.9	0.80	GR29 GRF29			6P*	8.1	131	105.49	4.0	0.95			9.3	113	90.96	4.1	1.10	10	105	84.78	4.1			1.20	11	92	74.11	4.2	1.40	9.7	109					135.09	4.1	1.15	GR29 GRF29	4P	11	100	123.91	4.1	1.25	12	85	105.49	4.2	1.50	14	73			90.96			4.2	1.70	14	73	90.96	4.2	1.70	216	5.2	6.07	4.1	8.60	GRX69 GRXF69	4P	253	4.4	5.18	3.8	17			289	3.9	4.53	3.7	22	305	3.7	4.30	3.6	22	238	4.7	5.50	3.2	8.50	GRX59 GRXF59	4P	258	4.3	5.07	3.1	8.60	301	3.7	4.35	3.0	19	346	3.2	3.79	2.8	22	369	3.0	3.55	2.8	24	417	2.7	3.14	2.7	25	450	2.5	2.91	2.6	28	496	2.3	2.64	2.5	31	553	2.0	2.37	2.4	35	642	1.7	2.04	2.3
6.5	160	203	4.0	0.85			7.3	141	179	4.1	1.00					8.4	123	156			4.1	1.10	4.4	250	195.24	12	3.30	GR79 GRF79	6P*	19	56	69.47	4.2	2.20	5.1	213	166.59	12	3.90			5.8	187	145.67			12	4.40	4.3	256	199.81	10	2.40	GR69 GRF69	6P*	21	49	61.30	4.2	2.50	4.6	236	184.07	10	2.60			5.4	203	158.14							10	3.00	6.2	176	137.67	10	3.40	6.6	165	128.97	10	3.70	7.5	90	113.94	10	4.10	6.6	166	199.81	10	3.60	GR69 GRF69	4P	23	39	48.17	3.9	3.20	7.1	153	184.07			10	3.90	4.5	239	186.89	7.4	1.90	GR59 GRF59	6P*	29	36	44.90	3.8	3.50	4.9	221			172.17					7.4			2.00	5.7	189	147.92	7.5	2.40	6.6	165	128.77	7.5	2.70	7.0	155	120.63	7.5	2.90	8.0	137	106.58	7.6	3.30	8.6	127	98.99	7.6	3.60	7.0	155	186.89	7.5	2.90	GR59 GRF59	4P	7.6	143	172.17	7.5	3.20	8.9			123	147.92					7.6	3.70	10.2	107	128.77	7.6	4.20	4.8	227	176.88	5.5	1.35	GR49 GRF49	6P*	52	20			25.23	2.1	4.10	5.2	209			162.94			5.5	1.45	6.1	179	139.99	5.6			1.70	7.0	156	121.87	5.7	1.95	7.4	147	176.88			5.7	2.00	GR49 GRF49	4P	57	19	23.15			2.0	4.40	8.0			135	162.94	5.7	2.20	9.4	116	139.99	5.8	2.60	11	101	121.87	5.8	3.00	11			95	114.17	5.8	3.20	13	84	100.86	5.8	3.60	14	78			93.68	5.8	3.90	6.3	167	134.82	5.0	1.15	GR39 GRF39			6P*	6.9	153	123.66	5.1					1.25	8.1	131	105.28	5.3	1.50	9.4	113	90.77	5.4	1.75	10			105	84.61	5.5	1.85	11	92	73.96	5.6	2.10	9.7	109			134.82	5.5			1.80	GR39 GRF39	4P	11	100			123.66	5.5	1.95	12	85	105.28	5.6	2.30			14	73	90.77	5.6	2.70	15	68	84.61			5.7	2.80	18	60	73.96			5.7	3.30	6.9	154	123.91	3.9	0.80	GR29 GRF29	6P*					8.1	131	105.49	4.0	0.95	9.3	113	90.96	4.1	1.10	10	105	84.78	4.1	1.20	11			92	74.11	4.2	1.40	9.7	109	135.09	4.1					1.15	GR29 GRF29	4P			11	100	123.91	4.1	1.25	12	85	105.49	4.2	1.50	14	73			90.96			4.2	1.70	14	73	90.96	4.2	1.70	216	5.2	6.07	4.1	8.60			GRX69 GRXF69	4P	253	4.4	5.18			3.8	17	289	3.9	4.53	3.7	22	305	3.7	4.30	3.6	22	238	4.7	5.50			3.2	8.50	GRX59 GRXF59	4P	258	4.3	5.07	3.1	8.60	301	3.7	4.35	3.0	19	346	3.2	3.79	2.8	22	369	3.0	3.55	2.8	24	417	2.7	3.14	2.7	25	450	2.5	2.91	2.6	28	496	2.3	2.64	2.5	31	553	2.0	2.37	2.4	35
7.3	141	179	4.1	1.00			8.4	123	156	4.1	1.10					4.4	250	195.24	12	3.30	GR79 GRF79	6P*	19	56	69.47	4.2	2.20			5.1	213	166.59	12	3.90	5.8	187	145.67	12	4.40			4.3	256	199.81	10	2.40	GR69 GRF69	6P*	21	49	61.30	4.2	2.50			4.6	236	184.07	10	2.60	5.4	203	158.14	10	3.00			6.2	176	137.67							10	3.40	6.6	165	128.97	10	3.70	7.5	90	113.94	10	4.10	6.6	166	199.81	10	3.60	GR69 GRF69	4P	23	39	48.17			3.9	3.20	7.1	153	184.07	10	3.90	4.5	239	186.89	7.4	1.90	GR59 GRF59	6P*	29	36	44.90			3.8	3.50	4.9	221	172.17	7.4	2.00			5.7					189			147.92	7.5	2.40	6.6	165	128.77	7.5	2.70	7.0	155	120.63	7.5	2.90	8.0	137	106.58	7.6	3.30	8.6	127	98.99	7.6	3.60	7.0	155	186.89	7.5	2.90	GR59 GRF59	4P	7.6			143	172.17	7.5	3.20	8.9	123	147.92	7.6	3.70	10.2					107	128.77	7.6	4.20	4.8	227	176.88	5.5	1.35	GR49 GRF49	6P*	52			20	25.23	2.1	4.10	5.2	209	162.94	5.5	1.45			6.1			179	139.99	5.6	1.70	7.0	156			121.87	5.7	1.95	7.4	147	176.88	5.7	2.00	GR49 GRF49			4P	57			19	23.15	2.0			4.40	8.0	135			162.94	5.7	2.20	9.4	116	139.99	5.8	2.60	11	101	121.87	5.8	3.00	11	95			114.17	5.8	3.20	13	84	100.86	5.8	3.60	14	78	93.68			5.8	3.90	6.3	167	134.82	5.0	1.15	GR39 GRF39					6P*	6.9	153	123.66					5.1	1.25	8.1	131	105.28	5.3	1.50	9.4	113	90.77	5.4	1.75			10	105	84.61	5.5	1.85	11	92	73.96	5.6	2.10	9.7			109	134.82	5.5	1.80	GR39 GRF39			4P	11			100	123.66	5.5	1.95	12	85	105.28	5.6			2.30	14	73	90.77	5.6	2.70	15	68	84.61	5.7	2.80	18	60	73.96	5.7			3.30	6.9	154	123.91	3.9	0.80	GR29 GRF29							6P*	8.1	131	105.49	4.0	0.95	9.3	113	90.96	4.1	1.10	10	105	84.78	4.1	1.20			11	92	74.11	4.2	1.40	9.7	109	135.09	4.1			1.15	GR29 GRF29					4P	11	100	123.91	4.1	1.25	12	85	105.49	4.2	1.50	14			73			90.96	4.2	1.70	14	73	90.96	4.2	1.70	216	5.2	6.07	4.1					8.60	GRX69 GRXF69	4P			253	4.4	5.18	3.8	17	289	3.9	4.53	3.7	22	305	3.7	4.30	3.6	22			238	4.7			5.50	3.2	8.50	GRX59 GRXF59	4P	258	4.3	5.07	3.1	8.60	301	3.7	4.35	3.0	19	346	3.2	3.79	2.8	22	369	3.0	3.55	2.8	24	417	2.7	3.14	2.7	25	450	2.5	2.91	2.6	28	496	2.3	2.64	2.5	31
8.4	123	156	4.1	1.10			4.4	250	195.24	12	3.30			GR79 GRF79	6P*	19	56	69.47	4.2	2.20			5.1	213	166.59	12	3.90			5.8	187	145.67	12	4.40	4.3	256	199.81	10	2.40	GR69 GRF69	6P*	21	49	61.30	4.2	2.50			4.6	236	184.07	10	2.60			5.4	203	158.14	10	3.00	6.2	176	137.67	10	3.40			6.6	165	128.97			10	3.70			7.5	90	113.94	10	4.10	6.6	166	199.81	10	3.60	GR69 GRF69	4P	23	39	48.17	3.9	3.20			7.1	153	184.07	10	3.90	4.5	239	186.89	7.4	1.90	GR59 GRF59	6P*	29	36	44.90	3.8	3.50			4.9	221	172.17			7.4	2.00	5.7	189	147.92	7.5	2.40			6.6					165			128.77	7.5	2.70	7.0	155	120.63	7.5	2.90	8.0	137	106.58	7.6	3.30	8.6	127	98.99	7.6	3.60	7.0	155	186.89	7.5	2.90	GR59 GRF59	4P	7.6	143	172.17			7.5			3.20	8.9	123	147.92	7.6	3.70	10.2	107	128.77	7.6		4.20	4.8		227	176.88	5.5	1.35	GR49 GRF49	6P*	52	20	25.23			2.1			4.10	5.2	209	162.94	5.5	1.45	6.1	179	139.99	5.6	1.70	7.0			156	121.87	5.7	1.95	7.4	147			176.88	5.7	2.00	GR49 GRF49	4P	57	19	23.15					2.0			4.40	8.0	135			162.94	5.7	2.20			9.4	116	139.99	5.8	2.60	11	101	121.87	5.8	3.00	11	95	114.17	5.8	3.20	13	84	100.86	5.8	3.60	14	78	93.68	5.8	3.90	6.3	167	134.82			5.0	1.15	GR39 GRF39	6P*	6.9	153	123.66							5.1	1.25	8.1					131	105.28	5.3	1.50	9.4	113	90.77	5.4	1.75	10	105	84.61			5.5	1.85	11	92	73.96	5.6	2.10	9.7	109	134.82	5.5			1.80	GR39 GRF39	4P	11					100			123.66	5.5	1.95	12	85	105.28	5.6	2.30	14	73	90.77	5.6	2.70	15	68	84.61	5.7	2.80	18	60	73.96	5.7	3.30	6.9	154			123.91	3.9	0.80	GR29 GRF29	6P*	8.1					131	105.49			4.0	0.95	9.3	113	90.96	4.1	1.10	10	105	84.78	4.1	1.20	11	92	74.11			4.2	1.40	9.7	109	135.09	4.1	1.15	GR29 GRF29	4P			11							100	123.91	4.1	1.25	12	85	105.49	4.2	1.50	14	73	90.96	4.2	1.70			14	73	90.96	4.2	1.70	216	5.2	6.07	4.1	8.60	GRX69 GRXF69	4P					253					4.4	5.18	3.8	17	289	3.9	4.53	3.7	22	305	3.7	4.30	3.6	22	238			4.7	5.50			3.2	8.50	GRX59 GRXF59			4P	258	4.3	5.07	3.1	8.60	301	3.7	4.35	3.0	19	346	3.2	3.79	2.8	22	369	3.0	3.55	2.8	24	417	2.7	3.14	2.7	25	450	2.5	2.91	2.6	28	496	2.3	2.64	2.5
4.4	250	195.24	12	3.30	GR79 GRF79	6P*	19	56	69.47	4.2	2.20	5.1	213			166.59	12	3.90	5.8	187			145.67	12	4.40	4.3	256	199.81	10	2.40	GR69 GRF69	6P*	21	49	61.30	4.2	2.50	4.6	236			184.07	10	2.60	5.4	203			158.14	10	3.00	6.2	176			137.67	10	3.40	6.6	165	128.97	10	3.70	7.5	90			113.94	10	4.10		6.6	166	199.81	10		3.60	GR69 GRF69	4P	23	39	48.17	3.9	3.20	7.1	153			184.07	10	3.90	4.5	239	186.89	7.4	1.90	GR59 GRF59	6P*	29	36	44.90	3.8	3.50	4.9	221			172.17	7.4	2.00	5.7	189			147.92	7.5	2.40			6.6	165	128.77	7.5	2.70	7.0	155			120.63					7.5			2.90	8.0	137	106.58	7.6	3.30	8.6	127	98.99	7.6	3.60	7.0	155	186.89	7.5	2.90	GR59 GRF59	4P	7.6	143	172.17	7.5	3.20			8.9	123	147.92			7.6			3.70	10.2	107	128.77	7.6	4.20	4.8	227	176.88	5.5	1.35	GR49 GRF49	6P*	52	20	25.23	2.1	4.10			5.2	209	162.94			5.5			1.45	6.1	179	139.99	5.6	1.70	7.0	156	121.87	5.7	1.95	7.4	147	176.88	5.7	2.00	GR49 GRF49	4P	57	19			23.15	2.0	4.40			8.0	135	162.94					5.7			2.20	9.4	116			139.99	5.8	2.60			11	101	121.87	5.8	3.00	11	95	114.17	5.8	3.20	13	84	100.86	5.8	3.60	14	78	93.68	5.8	3.90	6.3	167	134.82	5.0	1.15	GR39 GRF39	6P*	6.9	153	123.66	5.1	1.25			8.1	131	105.28							5.3	1.50	9.4					113	90.77	5.4	1.75	10	105	84.61	5.5	1.85	11	92	73.96			5.6	2.10	9.7	109	134.82	5.5	1.80	GR39 GRF39	4P	11	100			123.66			5.5					1.95			12	85	105.28	5.6	2.30	14	73	90.77	5.6	2.70	15	68	84.61	5.7	2.80	18	60	73.96	5.7	3.30	6.9	154	123.91	3.9	0.80	GR29 GRF29	6P*	8.1	131	105.49			4.0					0.95	9.3			113	90.96	4.1	1.10	10	105	84.78	4.1	1.20	11	92	74.11	4.2	1.40	9.7	109	135.09	4.1	1.15	GR29 GRF29	4P	11	100	123.91					4.1							1.25	12	85	105.49	4.2	1.50	14	73	90.96	4.2	1.70	14	73	90.96			4.2	1.70	216	5.2	6.07	4.1	8.60	GRX69 GRXF69	4P	253			4.4	5.18			3.8					17	289	3.9	4.53	3.7	22	305	3.7	4.30	3.6	22	238	4.7	5.50	3.2			8.50	GRX59 GRXF59			4P	258					4.3	5.07	3.1	8.60	301	3.7	4.35	3.0	19	346	3.2	3.79	2.8	22	369	3.0	3.55	2.8	24	417	2.7	3.14	2.7	25	450	2.5	2.91	2.6	28	496	2.3	2.64	2.5	31
5.1	213	166.59	12	3.90			5.8	187	145.67	12	4.40	4.3	256			199.81	10	2.40	GR69 GRF69	6P*	21	49	61.30	4.2	2.50	4.6	236	184.07	10	2.60			5.4	203	158.14	10	3.00	6.2	176			137.67	10	3.40	6.6	165			128.97	10	3.70	7.5	90			113.94	10	4.10	6.6	166	199.81	10	3.60	GR69 GRF69	4P			23	39	48.17	3.9	3.20	7.1	153	184.07	10	3.90			4.5	239	186.89	7.4	1.90	GR59 GRF59	6P*	29	36	44.90	3.8	3.50	4.9	221	172.17	7.4	2.00			5.7	189	147.92	7.5	2.40	6.6	165			128.77	7.5	2.70	7.0	155			120.63	7.5	2.90			8.0	137	106.58	7.6	3.30	8.6	127	98.99	7.6	3.60					7.0			155	186.89	7.5	2.90	GR59 GRF59	4P	7.6	143	172.17	7.5	3.20	8.9	123	147.92	7.6	3.70			10.2	107	128.77	7.6	4.20			4.8	227	176.88			5.5	1.35	GR49 GRF49	6P*	52	20	25.23	2.1	4.10	5.2	209	162.94	5.5	1.45			6.1	179	139.99	5.6	1.70			7.0	156	121.87			5.7	1.95	7.4	147	176.88	5.7	2.00	GR49 GRF49	4P	57	19	23.15	2.0	4.40	8.0	135	162.94	5.7	2.20			9.4	116	139.99	5.8	2.60	11	101			121.87	5.8	3.00					11			95	114.17	5.8			3.20	13	84			100.86	5.8	3.60	14	78	93.68	5.8	3.90	6.3	167	134.82	5.0	1.15	GR39 GRF39	6P*	6.9	153	123.66	5.1	1.25	8.1	131	105.28	5.3	1.50			9.4	113	90.77	5.4	1.75			10	105	84.61			5.5	1.85			11	92	73.96		5.6	2.10		9.7	109	134.82	5.5	1.80	GR39 GRF39	4P	11	100	123.66	5.5	1.95			12	85	105.28	5.6	2.30	14	73			90.77	5.6			2.70			15					68			84.61	5.7	2.80	18	60	73.96	5.7	3.30	6.9	154	123.91	3.9	0.80	GR29 GRF29	6P*	8.1	131	105.49	4.0	0.95	9.3	113	90.96	4.1	1.10			10	105	84.78			4.1				1.20	11	92	74.11		4.2	1.40	9.7	109	135.09	4.1	1.15	GR29 GRF29	4P	11	100	123.91	4.1	1.25	12	85	105.49	4.2	1.50			14	73	90.96					4.2				1.70	14		73	90.96	4.2	1.70	216	5.2	6.07	4.1	8.60	GRX69 GRXF69	4P	253	4.4	5.18			3.8	17	289	3.9	4.53	3.7	22			305			3.7	4.30	3.6	22	238					4.7	5.50	3.2	8.50	GRX59 GRXF59	4P	258	4.3	5.07	3.1	8.60	301	3.7	4.35	3.0			19					346					3.2	3.79	2.8	22	369	3.0	3.55	2.8	24	417	2.7	3.14	2.7	25	450	2.5	2.91	2.6	28	496	2.3	2.64	2.5	31	553	2.0	2.37	2.4	35	642	1.7	2.04	2.3	41
5.8	187	145.67	12	4.40			4.3	256	199.81	10	2.40	GR69 GRF69	6P*	21	49	61.30	4.2	2.50			4.6	236	184.07	10	2.60	5.4	203	158.14	10	3.00			6.2	176	137.67	10	3.40	6.6	165			128.97	10	3.70	7.5	90			113.94	10	4.10	6.6	166			199.81	10	3.60	GR69 GRF69	4P	23	39	48.17			3.9	3.20	7.1	153	184.07	10	3.90	4.5	239	186.89	7.4	1.90	GR59 GRF59	6P*	29	36	44.90	3.8	3.50			4.9	221	172.17	7.4	2.00	5.7	189	147.92	7.5	2.40			6.6	165	128.77	7.5	2.70	7.0	155			120.63	7.5	2.90	8.0	137			106.58	7.6	3.30			8.6	127	98.99	7.6	3.60	7.0	155	186.89	7.5	2.90			GR59 GRF59	4P	7.6			143	172.17	7.5	3.20			8.9	123	147.92	7.6	3.70	10.2	107	128.77	7.6	4.20			4.8	227	176.88	5.5	1.35			GR49 GRF49	6P*	52	20	25.23	2.1	4.10			5.2	209	162.94	5.5	1.45	6.1	179	139.99	5.6	1.70			7.0	156	121.87	5.7	1.95			7.4	147	176.88	5.7	2.00	GR49 GRF49	4P	57	19	23.15	2.0	4.40			8.0	135	162.94	5.7	2.20	9.4	116	139.99	5.8	2.60			11	101	121.87	5.8	3.00	11	95			114.17	5.8	3.20		13	84		100.86			5.8	3.60	14			78	93.68	5.8			3.90	6.3	167	134.82	5.0	1.15	GR39 GRF39	6P*	6.9	153	123.66	5.1	1.25			8.1	131	105.28	5.3	1.50	9.4	113	90.77	5.4	1.75			10	105	84.61	5.5	1.85			11	92	73.96			5.6	2.10			9.7	109	134.82	5.5	1.80	GR39 GRF39	4P	11	100	123.66	5.5	1.95			12	85	105.28	5.6	2.30	14	73	90.77	5.6	2.70	15	68	84.61	5.7			2.80	18			60			73.96					5.7			3.30	6.9	154	123.91	3.9	0.80	GR29 GRF29	6P*	8.1	131	105.49	4.0	0.95			9.3	113	90.96	4.1	1.10	10	105	84.78	4.1	1.20			11	92	74.11			4.2		1.40	9.7	109	135.09	4.1	1.15		GR29 GRF29	4P	11	100	123.91	4.1	1.25			12	85	105.49	4.2	1.50	14	73	90.96	4.2	1.70			14	73	90.96					4.2		1.70	216	5.2	6.07		4.1	8.60	GRX69 GRXF69	4P	253	4.4	5.18	3.8	17			289	3.9	4.53			3.7	22	305	3.7	4.30	3.6	22			238			4.7	5.50	3.2	8.50	GRX59 GRXF59	4P	258			4.3	5.07	3.1	8.60			301	3.7	4.35	3.0	19	346	3.2	3.79	2.8			22					369					3.0	3.55	2.8	24	417	2.7	3.14	2.7	25	450	2.5	2.91	2.6	28	496	2.3	2.64	2.5	31	553	2.0	2.37	2.4	35	642	1.7	2.04	2.3	41	682	1.6	1.92	2.3	43
4.3	256	199.81	10	2.40	GR69 GRF69	6P*	21	49	61.30	4.2	2.50			4.6	236	184.07	10	2.60			5.4	203	158.14	10	3.00	6.2	176	137.67	10	3.40			6.6	165	128.97	10	3.70	7.5	90			113.94	10	4.10	6.6	166			199.81	10	3.60	GR69 GRF69	4P	23	39	48.17	3.9	3.20			7.1	153	184.07	10	3.90	4.5	239	186.89	7.4	1.90	GR59 GRF59	6P*	29	36	44.90	3.8	3.50			4.9	221	172.17	7.4	2.00			5.7	189	147.92	7.5	2.40	6.6	165	128.77	7.5	2.70			7.0	155	120.63	7.5	2.90	8.0	137			106.58	7.6	3.30	8.6	127			98.99	7.6	3.60			7.0	155	186.89	7.5	2.90	GR59 GRF59	4P	7.6	143	172.17					7.5	3.20	8.9	123	147.92	7.6	3.70			10.2	107	128.77	7.6	4.20	4.8	227	176.88	5.5	1.35			GR49 GRF49	6P*	52	20	25.23	2.1	4.10			5.2	209	162.94	5.5	1.45			6.1	179	139.99	5.6	1.70	7.0	156	121.87	5.7	1.95			7.4	147	176.88	5.7	2.00	GR49 GRF49	4P	57	19	23.15	2.0	4.40			8.0	135	162.94	5.7	2.20			9.4	116	139.99	5.8	2.60	11	101	121.87	5.8	3.00			11	95	114.17	5.8	3.20	13	84			100.86	5.8	3.60		14	78		93.68			5.8	3.90	6.3	167	134.82	5.0	1.15	GR39 GRF39			6P*	6.9	153	123.66	5.1	1.25			8.1	131	105.28	5.3	1.50			9.4	113	90.77	5.4	1.75	10	105	84.61	5.5	1.85			11	92	73.96	5.6	2.10			9.7	109	134.82		5.5	1.80	GR39 GRF39	4P		11	100	123.66	5.5	1.95			12	85	105.28	5.6	2.30			14	73	90.77	5.6	2.70	15	68	84.61	5.7	2.80	18	60	73.96	5.7			3.30	6.9	154	123.91	3.9			0.80					GR29 GRF29			6P*	8.1	131	105.49	4.0	0.95			9.3	113	90.96	4.1	1.10			10	105	84.78	4.1	1.20	11	92	74.11	4.2	1.40			9.7	109	135.09			4.1	1.15	GR29 GRF29	4P	11	100	123.91	4.1	1.25			12	85	105.49	4.2	1.50			14	73	90.96	4.2	1.70	14	73	90.96	4.2	1.70			216	5.2	6.07					4.1	8.60	GRX69 GRXF69	4P	253	4.4	5.18	3.8	17			289	3.9	4.53	3.7	22			305	3.7	4.30			3.6	22	238	4.7	5.50	3.2	8.50			GRX59 GRXF59	4P	258	4.3	5.07	3.1	8.60			301			3.7	4.35	3.0	19			346	3.2	3.79	2.8	22	369	3.0	3.55	2.8			24					417					2.7	3.14	2.7	25	450	2.5	2.91	2.6	28	496	2.3	2.64	2.5	31	553	2.0	2.37	2.4	35	642	1.7	2.04	2.3	41	682	1.6	1.92	2.3	43	794	1.4	1.65	2.1	49
4.6	236	184.07	10	2.60			5.4	203	158.14	10	3.00			6.2	176	137.67	10	3.40			6.6	165	128.97	10	3.70	7.5	90	113.94	10	4.10			6.6	166	199.81	10	3.60	GR69 GRF69	4P			23	39	48.17	3.9	3.20	7.1	153	184.07	10	3.90			4.5	239	186.89	7.4	1.90	GR59 GRF59	6P*	29	36	44.90	3.8	3.50	4.9	221	172.17	7.4	2.00			5.7	189	147.92	7.5	2.40			6.6	165	128.77	7.5	2.70			7.0	155	120.63	7.5	2.90	8.0	137	106.58	7.6	3.30			8.6	127	98.99	7.6	3.60	7.0	155			186.89	7.5	2.90	GR59 GRF59	4P			7.6	143	172.17			7.5	3.20	8.9	123	147.92			7.6	3.70	10.2	107	128.77			7.6	4.20	4.8	227	176.88	5.5	1.35			GR49 GRF49	6P*	52	20	25.23	2.1	4.10	5.2	209	162.94	5.5	1.45			6.1	179	139.99	5.6	1.70			7.0	156	121.87	5.7	1.95			7.4	147	176.88	5.7	2.00	GR49 GRF49	4P	57	19	23.15	2.0	4.40	8.0	135	162.94	5.7	2.20			9.4	116	139.99	5.8	2.60			11	101	121.87	5.8	3.00			11	95	114.17	5.8	3.20	13	84	100.86	5.8	3.60			14	78	93.68	5.8	3.90	6.3	167			134.82	5.0	1.15		GR39 GRF39	6P*		6.9			153	123.66	5.1	1.25	8.1	131	105.28		5.3	1.50		9.4	113	90.77	5.4	1.75			10	105	84.61	5.5	1.85			11	92	73.96	5.6	2.10	9.7	109	134.82	5.5	1.80			GR39 GRF39	4P	11	100	123.66			5.5	1.95	12	85	105.28	5.6			2.30	14	73	90.77	5.6	2.70			15	68	84.61	5.7	2.80			18	60	73.96	5.7	3.30	6.9	154	123.91	3.9	0.80	GR29 GRF29	6P*	8.1	131			105.49	4.0	0.95	9.3	113			90.96						4.1	1.10		10	105	84.78	4.1	1.20			11	92	74.11	4.2	1.40			9.7	109	135.09	4.1	1.15	GR29 GRF29	4P	11	100	123.91			4.1	1.25	12	85	105.49	4.2	1.50			14	73	90.96	4.2	1.70			14	73	90.96	4.2	1.70			216	5.2	6.07	4.1	8.60	GRX69 GRXF69	4P	253	4.4	5.18			3.8	17	289	3.9	4.53	3.7	22	305	3.7			4.30	3.6	22	238	4.7			5.50	3.2	8.50	GRX59 GRXF59	4P			258	4.3	5.07			3.1	8.60	301	3.7	4.35	3.0	19	346	3.2			3.79	2.8	22	369	3.0			3.55			2.8	24	417	2.7			3.14	2.7	25	450	2.5	2.91	2.6	28	496			2.3					2.64					2.5	31	553	2.0	2.37	2.4	35	642	1.7	2.04	2.3	41	682	1.6	1.92	2.3	43	794	1.4	1.65	2.1	49												
5.4	203	158.14	10	3.00			6.2	176	137.67	10	3.40			6.6	165	128.97	10	3.70			7.5	90	113.94	10	4.10	6.6	166	199.81	10	3.60			GR69 GRF69	4P	23	39	48.17			3.9	3.20	7.1	153	184.07	10	3.90	4.5	239	186.89	7.4	1.90	GR59 GRF59	6P*	29	36	44.90	3.8	3.50			4.9	221	172.17	7.4	2.00	5.7	189	147.92	7.5	2.40			6.6	165	128.77	7.5	2.70			7.0	155	120.63	7.5	2.90			8.0	137	106.58	7.6	3.30	8.6	127	98.99	7.6	3.60			7.0	155	186.89	7.5	2.90	GR59 GRF59	4P			7.6	143	172.17					7.5	3.20	8.9	123	147.92	7.6	3.70	10.2	107	128.77			7.6	4.20	4.8	227	176.88			5.5	1.35	GR49 GRF49	6P*	52	20	25.23	2.1	4.10			5.2	209	162.94	5.5	1.45	6.1	179	139.99	5.6	1.70			7.0	156	121.87	5.7	1.95			7.4	147	176.88	5.7	2.00	GR49 GRF49	4P	57	19	23.15	2.0	4.40			8.0	135	162.94	5.7	2.20	9.4	116	139.99	5.8	2.60			11	101	121.87	5.8	3.00			11	95	114.17	5.8	3.20			13	84	100.86	5.8	3.60	14	78	93.68	5.8	3.90			6.3	167	134.82	5.0	1.15	GR39 GRF39	6P*			6.9	153	123.66					5.1	1.25	8.1	131	105.28	5.3	1.50	9.4	113	90.77		5.4	1.75		10	105	84.61	5.5	1.85			11	92	73.96	5.6	2.10			9.7	109	134.82	5.5	1.80	GR39 GRF39	4P	11	100	123.66					5.5	1.95	12	85	105.28	5.6	2.30	14	73	90.77	5.6			2.70	15	68	84.61	5.7	2.80			18	60	73.96	5.7	3.30			6.9	154	123.91	3.9	0.80	GR29 GRF29	6P*	8.1	131	105.49			4.0	0.95			9.3	113	90.96	4.1	1.10			10		105	84.78			4.1	1.20		11	92	74.11	4.2	1.40			9.7	109	135.09	4.1	1.15			GR29 GRF29	4P	11	100	123.91			4.1	1.25	12	85	105.49	4.2	1.50	14	73	90.96	4.2	1.70			14	73	90.96	4.2	1.70			216	5.2	6.07	4.1	8.60			GRX69 GRXF69	4P	253	4.4	5.18			3.8	17	289	3.9	4.53	3.7	22	305	3.7	4.30	3.6	22	238	4.7			5.50	3.2	8.50	GRX59 GRXF59	4P			258	4.3	5.07			3.1	8.60	301	3.7	4.35	3.0	19	346	3.2	3.79	2.8	22	369	3.0	3.55	2.8			24	417	2.7	3.14	2.7			25			450	2.5	2.91	2.6			28	496	2.3	2.64	2.5	31	553	2.0	2.37			2.4					35					642	1.7	2.04	2.3	41	682	1.6	1.92	2.3	43	794	1.4	1.65	2.1	49																			
6.2	176	137.67	10	3.40			6.6	165	128.97	10	3.70			7.5	90	113.94	10	4.10			6.6	166	199.81	10	3.60	GR69 GRF69	4P	23	39	48.17	3.9	3.20			7.1	153	184.07	10	3.90	4.5	239	186.89	7.4	1.90	GR59 GRF59	6P*	29	36	44.90	3.8	3.50			4.9	221	172.17	7.4	2.00			5.7	189	147.92	7.5	2.40	6.6	165	128.77	7.5	2.70			7.0	155	120.63	7.5	2.90			8.0	137	106.58	7.6	3.30			8.6	127	98.99	7.6	3.60	7.0	155	186.89	7.5	2.90			GR59 GRF59	4P	7.6	143	172.17					7.5	3.20	8.9			123	147.92	7.6	3.70	10.2	107	128.77	7.6	4.20	4.8	227	176.88			5.5	1.35	GR49 GRF49	6P*	52	20	25.23	2.1	4.10			5.2	209	162.94	5.5	1.45			6.1	179	139.99	5.6	1.70	7.0	156	121.87	5.7	1.95			7.4	147	176.88	5.7	2.00	GR49 GRF49	4P	57	19	23.15	2.0	4.40			8.0	135	162.94	5.7	2.20			9.4	116	139.99	5.8	2.60	11	101	121.87	5.8	3.00			11	95	114.17	5.8	3.20			13	84	100.86	5.8	3.60			14	78	93.68	5.8	3.90	6.3	167	134.82	5.0	1.15			GR39 GRF39	6P*	6.9	153	123.66					5.1	1.25	8.1	131			105.28	5.3	1.50	9.4	113	90.77	5.4	1.75	10	105	84.61		5.5	1.85		11	92	73.96	5.6	2.10			9.7	109	134.82	5.5	1.80			GR39 GRF39	4P	11	100	123.66			5.5	1.95	12	85	105.28			5.6	2.30	14	73	90.77	5.6	2.70	15	68	84.61	5.7			2.80	18	60	73.96	5.7	3.30			6.9	154	123.91	3.9	0.80			GR29 GRF29	6P*	8.1	131	105.49			4.0	0.95	9.3			113	90.96			4.1	1.10	10	105	84.78			4.1	1.20	11	92	74.11		4.2	1.40		9.7	109	135.09	4.1	1.15			GR29 GRF29	4P	11	100	123.91	4.1	1.25			12	85	105.49			4.2	1.50	14	73	90.96	4.2	1.70	14	73	90.96	4.2	1.70			216	5.2	6.07	4.1	8.60			GRX69 GRXF69	4P	253	4.4	5.18	3.8	17			289	3.9	4.53			3.7	22	305	3.7	4.30	3.6	22	238	4.7	5.50	3.2	8.50	GRX59 GRXF59	4P			258	4.3	5.07			3.1	8.60	301	3.7	4.35			3.0	19	346	3.2	3.79	2.8	22	369	3.0	3.55	2.8	24	417	2.7	3.14	2.7			25	450	2.5	2.91	2.6			28	496	2.3	2.64	2.5	31	553			2.0	2.37	2.4	35	642	1.7	2.04	2.3	41			682					1.6					1.92	2.3	43	794	1.4	1.65	2.1	49																										
6.6	165	128.97	10	3.70			7.5	90	113.94	10	4.10			6.6	166	199.81	10	3.60	GR69 GRF69	4P	23	39	48.17	3.9	3.20			7.1	153	184.07	10	3.90	4.5	239	186.89	7.4	1.90	GR59 GRF59	6P*	29	36	44.90	3.8	3.50			4.9	221	172.17	7.4	2.00			5.7	189	147.92	7.5	2.40			6.6	165	128.77	7.5	2.70	7.0	155	120.63	7.5	2.90			8.0	137	106.58	7.6	3.30			8.6	127	98.99	7.6	3.60			7.0	155	186.89	7.5	2.90	GR59 GRF59	4P	7.6	143	172.17					7.5	3.20	8.9			123	147.92	7.6	3.70	10.2			107	128.77	7.6	4.20	4.8	227	176.88	5.5	1.35	GR49 GRF49	6P*	52	20	25.23	2.1	4.10			5.2	209	162.94	5.5	1.45			6.1	179	139.99	5.6	1.70			7.0	156	121.87	5.7	1.95	7.4	147	176.88	5.7	2.00	GR49 GRF49	4P	57	19	23.15	2.0	4.40			8.0	135	162.94	5.7	2.20			9.4	116	139.99	5.8	2.60			11	101	121.87	5.8	3.00	11	95	114.17	5.8	3.20			13	84	100.86	5.8	3.60			14	78	93.68	5.8	3.90			6.3	167	134.82	5.0	1.15	GR39 GRF39	6P*	6.9	153	123.66					5.1	1.25	8.1			131	105.28	5.3	1.50	9.4	113			90.77	5.4	1.75	10	105	84.61	5.5	1.85	11	92	73.96		5.6	2.10		9.7	109	134.82	5.5	1.80			GR39 GRF39	4P	11	100	123.66	5.5	1.95			12	85	105.28			5.6	2.30	14	73	90.77			5.6	2.70	15	68	84.61	5.7	2.80	18	60	73.96	5.7			3.30	6.9	154	123.91	3.9	0.80			GR29 GRF29	6P*	8.1	131	105.49					4.0	0.95	9.3			113	90.96	4.1			1.10	10			105	84.78	4.1	1.20	11	92	74.11	4.2	1.40	9.7	109	135.09		4.1	1.15		GR29 GRF29	4P	11	100	123.91	4.1	1.25			12	85	105.49	4.2	1.50			14	73	90.96			4.2	1.70	14	73	90.96	4.2	1.70	216	5.2	6.07	4.1	8.60			GRX69 GRXF69	4P	253	4.4	5.18	3.8	17			289	3.9	4.53	3.7	22			305	3.7	4.30			3.6	22	238	4.7	5.50	3.2	8.50	GRX59 GRXF59	4P	258	4.3	5.07			3.1	8.60	301	3.7	4.35			3.0	19	346	3.2	3.79			2.8	22	369	3.0	3.55	2.8	24	417	2.7	3.14	2.7	25	450	2.5	2.91	2.6			28	496	2.3	2.64	2.5			31	553	2.0	2.37	2.4	35	642			1.7	2.04	2.3	41	682	1.6	1.92	2.3	43	794	1.4	1.65					2.1					49																																	
7.5	90	113.94	10	4.10			6.6	166	199.81	10	3.60	GR69 GRF69	4P	23	39	48.17	3.9	3.20			7.1	153	184.07	10	3.90	4.5	239	186.89	7.4	1.90	GR59 GRF59	6P*	29	36	44.90	3.8	3.50			4.9	221	172.17	7.4	2.00			5.7	189	147.92	7.5	2.40			6.6	165	128.77	7.5	2.70			7.0	155	120.63	7.5	2.90	8.0	137	106.58	7.6	3.30			8.6	127	98.99	7.6	3.60			7.0	155	186.89	7.5	2.90			GR59 GRF59	4P	7.6	143	172.17			7.5	3.20	8.9	123	147.92			7.6	3.70	10.2			107	128.77	7.6	4.20	4.8	227	176.88	5.5	1.35	GR49 GRF49	6P*	52	20	25.23	2.1	4.10			5.2	209	162.94	5.5	1.45			6.1	179	139.99	5.6	1.70			7.0	156	121.87	5.7	1.95	7.4	147	176.88	5.7	2.00	GR49 GRF49	4P	57	19	23.15	2.0	4.40			8.0	135	162.94	5.7	2.20			9.4	116	139.99	5.8	2.60			11	101	121.87	5.8	3.00			11	95	114.17	5.8	3.20	13	84	100.86	5.8	3.60			14	78	93.68	5.8	3.90			6.3	167	134.82	5.0	1.15			GR39 GRF39	6P*	6.9	153	123.66			5.1	1.25	8.1	131	105.28			5.3	1.50	9.4			113	90.77	5.4	1.75	10	105			84.61	5.5	1.85	11	92	73.96	5.6	2.10	9.7	109	134.82		5.5	1.80		GR39 GRF39	4P	11	100	123.66	5.5	1.95			12	85	105.28	5.6	2.30			14	73	90.77			5.6	2.70	15	68	84.61			5.7	2.80	18	60	73.96	5.7	3.30	6.9	154	123.91	3.9			0.80	GR29 GRF29	6P*	8.1	131	105.49					4.0	0.95	9.3					113	90.96	4.1			1.10	10	105			84.78	4.1	1.20	11	92	74.11	4.2	1.40	9.7	109	135.09	4.1	1.15	GR29 GRF29	4P	11	100	123.91	4.1	1.25			12	85	105.49	4.2	1.50			14	73	90.96	4.2	1.70			14	73	90.96			4.2	1.70	216	5.2	6.07	4.1	8.60	GRX69 GRXF69	4P	253	4.4	5.18	3.8	17			289	3.9	4.53	3.7	22			305	3.7	4.30	3.6	22			238	4.7	5.50	3.2	8.50	GRX59 GRXF59	4P	258	4.3	5.07	3.1	8.60			301	3.7	4.35			3.0	19	346	3.2	3.79			2.8	22	369	3.0	3.55			2.8	24	417	2.7	3.14	2.7	25	450	2.5	2.91	2.6	28	496	2.3	2.64	2.5			31	553	2.0	2.37	2.4			35	642	1.7	2.04	2.3	41	682			1.6	1.92	2.3	43	794	1.4	1.65	2.1	49																																														
6.6	166	199.81	10	3.60	GR69 GRF69	4P	23	39	48.17	3.9	3.20			7.1	153	184.07	10	3.90	4.5	239	186.89	7.4	1.90	GR59 GRF59	6P*	29	36	44.90	3.8	3.50			4.9	221	172.17	7.4	2.00			5.7	189	147.92	7.5	2.40			6.6	165	128.77	7.5	2.70			7.0	155	120.63	7.5	2.90			8.0	137	106.58	7.6	3.30	8.6	127	98.99	7.6	3.60			7.0	155	186.89	7.5	2.90			GR59 GRF59	4P	7.6	143	172.17	7.5	3.20			8.9	123	147.92			7.6	3.70	10.2	107	128.77			7.6	4.20	4.8	227	176.88	5.5	1.35	GR49 GRF49	6P*	52	20	25.23	2.1	4.10			5.2	209	162.94	5.5	1.45			6.1	179	139.99	5.6	1.70			7.0	156	121.87	5.7	1.95	7.4	147	176.88	5.7	2.00	GR49 GRF49	4P	57	19	23.15	2.0	4.40			8.0	135	162.94	5.7	2.20			9.4	116	139.99	5.8	2.60			11	101	121.87	5.8	3.00			11	95	114.17	5.8	3.20			13	84	100.86	5.8	3.60	14	78	93.68	5.8	3.90			6.3	167	134.82	5.0	1.15			GR39 GRF39	6P*	6.9	153	123.66	5.1	1.25			8.1	131	105.28			5.3	1.50	9.4	113	90.77			5.4	1.75	10			105	84.61	5.5	1.85	11	92			73.96	5.6	2.10	9.7	109	134.82	5.5	1.80	GR39 GRF39	4P	11	100	123.66	5.5	1.95			12	85	105.28	5.6	2.30			14	73	90.77	5.6	2.70			15	68	84.61			5.7	2.80	18	60	73.96			5.7	3.30	6.9	154	123.91	3.9	0.80	GR29 GRF29	6P*	8.1	131			105.49			4.0	0.95	9.3					113	90.96	4.1	1.10	10			105	84.78	4.1			1.20	11	92	74.11	4.2	1.40	9.7	109	135.09	4.1	1.15	GR29 GRF29	4P	11	100	123.91	4.1	1.25			12	85	105.49	4.2	1.50			14	73	90.96	4.2	1.70			14	73	90.96	4.2	1.70			216	5.2	6.07	4.1	8.60	GRX69 GRXF69	4P	253	4.4	5.18	3.8	17			289	3.9	4.53	3.7	22			305	3.7	4.30	3.6	22			238	4.7	5.50	3.2	8.50	GRX59 GRXF59	4P	258	4.3	5.07	3.1	8.60			301	3.7	4.35	3.0	19			346	3.2	3.79			2.8	22	369	3.0	3.55			2.8	24	417	2.7	3.14			2.7	25	450	2.5	2.91	2.6	28	496	2.3	2.64	2.5	31	553	2.0	2.37	2.4			35	642	1.7	2.04	2.3			41	682	1.6	1.92	2.3	43	794			1.4	1.65	2.1	49																																																			
7.1	153	184.07	10	3.90			4.5	239	186.89	7.4	1.90	GR59 GRF59	6P*	29	36	44.90	3.8	3.50	4.9	221	172.17	7.4	2.00			5.7	189	147.92	7.5	2.40			6.6	165	128.77	7.5	2.70			7.0	155	120.63	7.5	2.90			8.0	137	106.58	7.6	3.30			8.6	127	98.99	7.6	3.60			7.0	155	186.89	7.5	2.90	GR59 GRF59	4P	7.6	143	172.17			7.5	3.20	8.9	123	147.92	7.6	3.70			10.2	107	128.77	7.6	4.20			4.8	227	176.88			5.5	1.35	GR49 GRF49	6P*	52	20	25.23	2.1	4.10	5.2	209	162.94	5.5	1.45			6.1	179	139.99	5.6	1.70			7.0	156	121.87	5.7	1.95			7.4	147	176.88	5.7	2.00	GR49 GRF49	4P	57	19	23.15	2.0	4.40	8.0	135	162.94	5.7	2.20			9.4	116	139.99	5.8	2.60			11	101	121.87	5.8	3.00			11	95	114.17	5.8	3.20			13	84	100.86	5.8	3.60			14	78	93.68	5.8	3.90			6.3	167	134.82	5.0	1.15	GR39 GRF39	6P*	6.9	153	123.66			5.1	1.25	8.1	131	105.28	5.3	1.50			9.4	113	90.77	5.4	1.75			10	105	84.61			5.5	1.85	11	92	73.96			5.6	2.10	9.7			109	134.82	5.5	1.80	GR39 GRF39	4P	11	100	123.66	5.5	1.95	12	85	105.28	5.6	2.30			14	73	90.77	5.6	2.70			15	68	84.61	5.7	2.80			18	60	73.96	5.7	3.30			6.9	154	123.91			3.9	0.80	GR29 GRF29	6P*	8.1			131	105.49	4.0	0.95	9.3	113	90.96			4.1	1.10			10			105	84.78	4.1	1.20	11			92	74.11	4.2	1.40	9.7			109	135.09	4.1	1.15	GR29 GRF29	4P	11	100	123.91	4.1	1.25	12	85	105.49	4.2	1.50			14	73	90.96	4.2	1.70			14	73	90.96	4.2	1.70			216	5.2	6.07	4.1	8.60			GRX69 GRXF69	4P	253	4.4	5.18	3.8	17	289	3.9	4.53	3.7	22			305	3.7	4.30	3.6	22			238	4.7	5.50	3.2	8.50			GRX59 GRXF59	4P	258	4.3	5.07	3.1	8.60	301	3.7	4.35	3.0	19			346	3.2	3.79	2.8	22			369	3.0	3.55	2.8	24			417	2.7	3.14			2.7	25	450	2.5	2.91			2.6	28	496	2.3	2.64			2.5	31	553	2.0	2.37	2.4	35	642	1.7	2.04	2.3	41	682	1.6	1.92	2.3			43	794	1.4	1.65	2.1			49																																																															
4.5	239	186.89	7.4	1.90	GR59 GRF59	6P*	29	36	44.90	3.8	3.50			4.9	221	172.17	7.4	2.00	5.7	189	147.92	7.5	2.40			6.6	165	128.77	7.5	2.70			7.0	155	120.63	7.5	2.90			8.0	137	106.58	7.6	3.30			8.6	127	98.99	7.6	3.60			7.0	155	186.89	7.5	2.90			GR59 GRF59	4P	7.6	143	172.17			7.5	3.20	8.9	123	147.92	7.6	3.70	10.2	107	128.77	7.6	4.20			4.8	227	176.88	5.5	1.35			GR49 GRF49	6P*	52	20	25.23	2.1	4.10			5.2	209	162.94	5.5	1.45	6.1	179	139.99	5.6	1.70			7.0	156	121.87	5.7	1.95			7.4	147	176.88	5.7	2.00	GR49 GRF49	4P	57	19	23.15	2.0	4.40			8.0	135	162.94	5.7	2.20	9.4	116	139.99	5.8	2.60			11	101	121.87	5.8	3.00			11	95	114.17	5.8	3.20			13	84	100.86	5.8	3.60			14	78	93.68	5.8	3.90			6.3	167	134.82	5.0	1.15			GR39 GRF39	6P*	6.9	153	123.66			5.1	1.25	8.1	131	105.28	5.3	1.50	9.4	113	90.77	5.4	1.75			10	105	84.61	5.5	1.85			11	92	73.96			5.6	2.10	9.7	109	134.82			5.5	1.80	GR39 GRF39	4P	11	100	123.66	5.5	1.95			12	85	105.28	5.6	2.30	14	73	90.77	5.6	2.70			15	68	84.61	5.7	2.80			18	60	73.96	5.7	3.30			6.9	154	123.91	3.9	0.80			GR29 GRF29	6P*	8.1			131	105.49			4.0			0.95	9.3	113	90.96	4.1	1.10	10			105	84.78	4.1	1.20	11			92	74.11	4.2	1.40	9.7			109	135.09	4.1	1.15	GR29 GRF29	4P	11	100	123.91	4.1	1.25			12	85	105.49	4.2	1.50	14	73	90.96	4.2	1.70			14	73	90.96	4.2	1.70			216	5.2	6.07	4.1	8.60			GRX69 GRXF69	4P	253	4.4	5.18	3.8	17			289	3.9	4.53	3.7	22	305	3.7	4.30	3.6	22			238	4.7	5.50	3.2	8.50			GRX59 GRXF59	4P	258	4.3	5.07	3.1	8.60			301	3.7	4.35	3.0	19	346	3.2	3.79	2.8	22			369	3.0	3.55	2.8	24			417	2.7	3.14	2.7	25			450	2.5	2.91			2.6	28	496	2.3	2.64			2.5	31	553	2.0	2.37			2.4	35	642	1.7	2.04	2.3	41	682	1.6	1.92	2.3	43	794	1.4	1.65	2.1			49																																																																						
4.9	221	172.17	7.4	2.00			5.7	189	147.92	7.5	2.40			6.6	165	128.77	7.5	2.70	7.0	155	120.63	7.5	2.90			8.0	137	106.58	7.6	3.30			8.6	127	98.99	7.6	3.60			7.0	155	186.89	7.5	2.90			GR59 GRF59	4P	7.6	143	172.17			7.5	3.20	8.9	123	147.92	7.6	3.70			10.2	107	128.77			7.6	4.20	4.8	227	176.88	5.5	1.35	GR49 GRF49	6P*	52	20	25.23			2.1	4.10	5.2	209	162.94	5.5	1.45			6.1	179	139.99	5.6	1.70			7.0	156	121.87	5.7	1.95	7.4	147	176.88	5.7	2.00			GR49 GRF49	4P	57	19	23.15	2.0	4.40	8.0	135	162.94	5.7	2.20			9.4	116	139.99	5.8	2.60			11	101	121.87	5.8	3.00	11	95	114.17	5.8	3.20			13	84	100.86	5.8	3.60			14	78	93.68	5.8	3.90			6.3	167	134.82	5.0	1.15			GR39 GRF39	6P*	6.9	153	123.66			5.1	1.25	8.1	131	105.28	5.3	1.50			9.4	113	90.77			5.4	1.75	10	105	84.61	5.5	1.85	11	92	73.96	5.6	2.10			9.7	109	134.82	5.5	1.80			GR39 GRF39	4P	11			100	123.66	5.5	1.95	12	85	105.28	5.6	2.30			14	73	90.77	5.6	2.70			15	68	84.61	5.7	2.80	18	60	73.96	5.7	3.30			6.9	154	123.91	3.9	0.80			GR29 GRF29	6P*	8.1	131	105.49			4.0	0.95	9.3	113	90.96					4.1			1.10	10			105	84.78	4.1	1.20	11	92	74.11	4.2	1.40	9.7			109	135.09	4.1	1.15	GR29 GRF29			4P	11	100	123.91	4.1	1.25	12	85	105.49	4.2	1.50			14	73	90.96	4.2	1.70			14	73	90.96	4.2	1.70	216	5.2	6.07	4.1	8.60			GRX69 GRXF69	4P	253	4.4	5.18			3.8	17	289	3.9	4.53	3.7	22			305	3.7	4.30	3.6	22			238	4.7	5.50	3.2	8.50	GRX59 GRXF59	4P	258	4.3	5.07			3.1	8.60	301	3.7	4.35	3.0	19			346	3.2	3.79	2.8	22			369	3.0	3.55	2.8	24	417	2.7	3.14	2.7	25			450	2.5	2.91	2.6	28			496	2.3	2.64	2.5	31			553	2.0	2.37			2.4	35	642	1.7	2.04			2.3	41	682	1.6	1.92			2.3	43	794	1.4	1.65	2.1	49																																																																																		
5.7	189	147.92	7.5	2.40			6.6	165	128.77	7.5	2.70			7.0	155	120.63	7.5	2.90	8.0	137	106.58	7.6	3.30			8.6	127	98.99	7.6	3.60			7.0	155	186.89	7.5	2.90			GR59 GRF59	4P	7.6	143	172.17					7.5	3.20	8.9	123	147.92	7.6	3.70	10.2	107	128.77	7.6	4.20			4.8	227	176.88			5.5	1.35	GR49 GRF49	6P*	52	20	25.23			2.1	4.10	5.2	209	162.94	5.5	1.45	6.1	179	139.99	5.6	1.70			7.0	156	121.87	5.7	1.95			7.4	147	176.88	5.7	2.00	GR49 GRF49	4P	57	19	23.15	2.0	4.40			8.0	135	162.94	5.7	2.20	9.4	116	139.99	5.8	2.60			11	101	121.87	5.8	3.00			11	95	114.17	5.8	3.20	13	84	100.86	5.8	3.60			14	78	93.68	5.8	3.90			6.3	167	134.82	5.0	1.15			GR39 GRF39	6P*	6.9	153	123.66					5.1	1.25	8.1	131	105.28	5.3	1.50	9.4	113	90.77	5.4	1.75			10	105	84.61			5.5	1.85	11	92	73.96	5.6	2.10	9.7	109	134.82	5.5	1.80			GR39 GRF39	4P	11	100	123.66					5.5	1.95	12	85	105.28	5.6	2.30	14	73	90.77	5.6	2.70			15	68	84.61	5.7	2.80			18	60	73.96	5.7	3.30	6.9	154	123.91	3.9	0.80			GR29 GRF29	6P*	8.1	131	105.49					4.0	0.95	9.3			113	90.96	4.1	1.10	10					105	84.78	4.1	1.20	11			92	74.11	4.2	1.40	9.7	109	135.09	4.1	1.15	GR29 GRF29			4P	11	100	123.91		4.1	1.25		12	85	105.49	4.2	1.50	14	73	90.96	4.2	1.70			14	73	90.96	4.2	1.70			216	5.2	6.07	4.1	8.60	GRX69 GRXF69	4P	253	4.4	5.18					3.8	17	289	3.9	4.53	3.7	22	305	3.7	4.30	3.6	22			238	4.7	5.50	3.2	8.50			GRX59 GRXF59	4P	258	4.3	5.07			3.1	8.60	301	3.7	4.35	3.0	19	346	3.2	3.79	2.8	22			369	3.0	3.55	2.8	24			417	2.7	3.14	2.7	25	450	2.5	2.91	2.6	28			496	2.3	2.64	2.5	31			553	2.0	2.37	2.4	35			642	1.7	2.04			2.3	41	682	1.6	1.92			2.3	43	794	1.4	1.65			2.1	49																																																																																							
6.6	165	128.77	7.5	2.70			7.0	155	120.63	7.5	2.90			8.0	137	106.58	7.6	3.30	8.6	127	98.99	7.6	3.60			7.0	155	186.89	7.5	2.90			GR59 GRF59	4P	7.6	143	172.17					7.5	3.20	8.9	123	147.92			7.6	3.70	10.2	107	128.77	7.6	4.20	4.8	227	176.88	5.5	1.35			GR49 GRF49	6P*	52	20	25.23	2.1	4.10			5.2	209	162.94			5.5	1.45	6.1	179	139.99	5.6	1.70	7.0	156	121.87	5.7	1.95			7.4	147	176.88	5.7	2.00	GR49 GRF49	4P	57	19	23.15	2.0	4.40			8.0	135	162.94	5.7	2.20			9.4	116	139.99	5.8	2.60	11	101	121.87	5.8	3.00			11	95	114.17	5.8	3.20			13	84	100.86	5.8	3.60	14	78	93.68	5.8	3.90			6.3	167	134.82	5.0	1.15			GR39 GRF39	6P*	6.9	153	123.66					5.1	1.25	8.1	131	105.28			5.3	1.50	9.4	113	90.77	5.4	1.75	10	105	84.61	5.5	1.85			11	92	73.96			5.6	2.10	9.7	109	134.82	5.5	1.80	GR39 GRF39	4P	11	100	123.66					5.5	1.95	12	85	105.28			5.6	2.30	14	73	90.77	5.6	2.70	15	68	84.61	5.7	2.80			18	60	73.96	5.7	3.30			6.9	154	123.91	3.9	0.80	GR29 GRF29	6P*	8.1	131	105.49					4.0	0.95	9.3					113	90.96	4.1			1.10	10	105	84.78	4.1	1.20	11			92	74.11	4.2	1.40	9.7			109	135.09	4.1	1.15	GR29 GRF29	4P	11	100	123.91		4.1	1.25		12	85	105.49		4.2	1.50		14	73	90.96	4.2	1.70	14	73	90.96	4.2	1.70			216	5.2	6.07	4.1	8.60			GRX69 GRXF69	4P	253	4.4	5.18			3.8	17	289	3.9	4.53			3.7	22	305	3.7	4.30	3.6	22	238	4.7	5.50	3.2	8.50			GRX59 GRXF59	4P	258	4.3	5.07	3.1	8.60			301	3.7	4.35			3.0	19	346	3.2	3.79	2.8	22	369	3.0	3.55	2.8	24			417	2.7	3.14	2.7	25			450	2.5	2.91	2.6	28	496	2.3	2.64	2.5	31			553	2.0	2.37	2.4	35			642	1.7	2.04	2.3	41			682	1.6	1.92			2.3	43	794	1.4	1.65			2.1	49																																																																																														
7.0	155	120.63	7.5	2.90			8.0	137	106.58	7.6	3.30			8.6	127	98.99	7.6	3.60	7.0	155	186.89	7.5	2.90			GR59 GRF59	4P	7.6	143	172.17					7.5	3.20	8.9	123	147.92			7.6	3.70	10.2	107	128.77			7.6	4.20	4.8	227	176.88	5.5	1.35	GR49 GRF49	6P*	52	20	25.23	2.1	4.10			5.2	209	162.94	5.5	1.45			6.1	179	139.99			5.6	1.70	7.0	156	121.87	5.7	1.95	7.4	147	176.88	5.7	2.00	GR49 GRF49	4P	57	19	23.15	2.0	4.40			8.0	135	162.94	5.7	2.20			9.4	116	139.99	5.8	2.60			11	101	121.87	5.8	3.00	11	95	114.17	5.8	3.20			13	84	100.86	5.8	3.60			14	78	93.68	5.8	3.90	6.3	167	134.82	5.0	1.15			GR39 GRF39	6P*	6.9	153	123.66					5.1	1.25	8.1	131	105.28			5.3	1.50	9.4	113	90.77			5.4	1.75	10	105	84.61	5.5	1.85	11	92	73.96	5.6	2.10			9.7	109	134.82			5.5	1.80	GR39 GRF39	4P	11	100	123.66			5.5	1.95	12	85	105.28			5.6	2.30	14	73	90.77			5.6	2.70	15	68	84.61	5.7	2.80	18	60	73.96	5.7	3.30			6.9	154	123.91	3.9	0.80			GR29 GRF29	6P*	8.1	131	105.49			4.0	0.95	9.3					113	90.96	4.1					1.10	10	105	84.78	4.1	1.20	11	92	74.11	4.2	1.40	9.7			109	135.09	4.1	1.15	GR29 GRF29	4P	11	100	123.91	4.1	1.25			12	85	105.49		4.2	1.50		14	73	90.96		4.2	1.70		14	73	90.96	4.2	1.70	216	5.2	6.07	4.1	8.60			GRX69 GRXF69	4P	253	4.4	5.18	3.8	17			289	3.9	4.53			3.7	22	305	3.7	4.30			3.6	22	238	4.7	5.50	3.2	8.50	GRX59 GRXF59	4P	258	4.3	5.07	3.1	8.60			301	3.7	4.35	3.0	19			346	3.2	3.79			2.8	22	369	3.0	3.55	2.8	24	417	2.7	3.14	2.7	25			450	2.5	2.91	2.6	28			496	2.3	2.64	2.5	31	553	2.0	2.37	2.4	35			642	1.7	2.04	2.3	41			682	1.6	1.92	2.3	43			794	1.4	1.65			2.1	49																																																																																																					
8.0	137	106.58	7.6	3.30			8.6	127	98.99	7.6	3.60			7.0	155	186.89	7.5	2.90	GR59 GRF59	4P	7.6	143	172.17					7.5	3.20	8.9	123	147.92			7.6	3.70	10.2	107	128.77			7.6	4.20	4.8	227	176.88	5.5	1.35	GR49 GRF49	6P*	52	20	25.23	2.1	4.10			5.2	209	162.94	5.5	1.45			6.1	179	139.99	5.6	1.70			7.0	156	121.87	5.7	1.95	7.4	147	176.88	5.7	2.00	GR49 GRF49	4P	57	19	23.15	2.0	4.40			8.0	135	162.94	5.7	2.20			9.4	116	139.99	5.8	2.60			11	101	121.87	5.8	3.00			11	95	114.17	5.8	3.20	13	84	100.86	5.8	3.60			14	78	93.68	5.8	3.90			6.3	167	134.82	5.0	1.15	GR39 GRF39	6P*	6.9	153	123.66					5.1	1.25	8.1	131	105.28			5.3	1.50	9.4	113	90.77			5.4	1.75	10	105	84.61			5.5	1.85	11	92	73.96	5.6	2.10	9.7	109	134.82	5.5	1.80			GR39 GRF39	4P	11	100	123.66	5.5	1.95			12	85	105.28			5.6	2.30	14	73	90.77			5.6	2.70	15	68	84.61			5.7	2.80	18	60	73.96	5.7	3.30	6.9	154	123.91	3.9	0.80			GR29 GRF29	6P*	8.1	131	105.49					4.0	0.95	9.3			113	90.96	4.1					1.10	10	105	84.78	4.1			1.20	11	92	74.11	4.2	1.40	9.7	109	135.09	4.1	1.15	GR29 GRF29	4P	11	100	123.91	4.1	1.25			12	85	105.49	4.2	1.50			14	73	90.96		4.2	1.70		14	73	90.96		4.2	1.70		216	5.2	6.07	4.1	8.60	GRX69 GRXF69	4P	253	4.4	5.18	3.8	17			289	3.9	4.53	3.7	22			305	3.7	4.30			3.6	22	238	4.7	5.50	3.2	8.50	GRX59 GRXF59	4P	258	4.3	5.07	3.1	8.60			301	3.7	4.35	3.0	19			346	3.2	3.79	2.8	22			369	3.0	3.55			2.8	24	417	2.7	3.14	2.7	25	450	2.5	2.91	2.6	28			496	2.3	2.64	2.5	31			553	2.0	2.37	2.4	35	642	1.7	2.04	2.3	41			682	1.6	1.92	2.3	43			794	1.4	1.65	2.1	49																																																																																																														
8.6	127	98.99	7.6	3.60			7.0	155	186.89	7.5	2.90			GR59 GRF59	4P	7.6	143	172.17			7.5	3.20	8.9	123	147.92			7.6	3.70	10.2	107	128.77			7.6	4.20	4.8	227	176.88	5.5	1.35	GR49 GRF49	6P*	52	20	25.23	2.1	4.10			5.2	209	162.94	5.5	1.45			6.1	179	139.99	5.6	1.70			7.0	156	121.87	5.7	1.95	7.4	147	176.88	5.7	2.00	GR49 GRF49	4P	57	19	23.15	2.0	4.40			8.0	135	162.94	5.7	2.20			9.4	116	139.99	5.8	2.60			11	101	121.87	5.8	3.00			11	95	114.17	5.8	3.20			13	84	100.86	5.8	3.60	14	78	93.68	5.8	3.90			6.3	167	134.82	5.0	1.15			GR39 GRF39	6P*	6.9	153	123.66			5.1	1.25	8.1	131	105.28			5.3	1.50	9.4	113	90.77			5.4	1.75	10	105	84.61			5.5	1.85	11	92	73.96			5.6	2.10	9.7	109	134.82	5.5	1.80	GR39 GRF39	4P	11	100	123.66	5.5	1.95			12	85	105.28	5.6	2.30			14	73	90.77			5.6	2.70	15	68	84.61			5.7	2.80	18	60	73.96			5.7	3.30	6.9	154	123.91	3.9	0.80	GR29 GRF29	6P*	8.1	131	105.49					4.0	0.95	9.3					113	90.96	4.1			1.10	10	105	84.78	4.1			1.20	11	92	74.11	4.2	1.40	9.7	109	135.09	4.1	1.15	GR29 GRF29	4P	11	100	123.91	4.1	1.25			12	85	105.49	4.2	1.50			14	73	90.96	4.2	1.70			14	73	90.96		4.2	1.70		216	5.2	6.07	4.1	8.60	GRX69 GRXF69	4P	253	4.4	5.18	3.8	17			289	3.9	4.53	3.7	22			305	3.7	4.30	3.6	22			238	4.7	5.50	3.2	8.50	GRX59 GRXF59	4P	258	4.3	5.07	3.1	8.60			301	3.7	4.35	3.0	19			346	3.2	3.79	2.8	22			369	3.0	3.55	2.8	24			417	2.7	3.14			2.7	25	450	2.5	2.91	2.6	28	496	2.3	2.64	2.5	31			553	2.0	2.37	2.4	35			642	1.7	2.04	2.3	41	682	1.6	1.92	2.3	43			794	1.4	1.65	2.1	49																																																																																																																					
7.0	155	186.89	7.5	2.90			GR59 GRF59	4P	7.6	143	172.17	7.5	3.20			8.9	123	147.92			7.6	3.70	10.2	107	128.77			7.6	4.20	4.8	227	176.88	5.5	1.35	GR49 GRF49	6P*	52	20	25.23	2.1	4.10			5.2	209	162.94	5.5	1.45			6.1	179	139.99	5.6	1.70			7.0	156	121.87	5.7	1.95	7.4	147	176.88	5.7	2.00	GR49 GRF49	4P	57	19	23.15	2.0	4.40			8.0	135	162.94	5.7	2.20			9.4	116	139.99	5.8	2.60			11	101	121.87	5.8	3.00			11	95	114.17	5.8	3.20			13	84	100.86	5.8	3.60			14	78	93.68	5.8	3.90	6.3	167	134.82	5.0	1.15			GR39 GRF39	6P*	6.9	153	123.66	5.1	1.25			8.1	131	105.28			5.3	1.50	9.4	113	90.77			5.4	1.75	10	105	84.61			5.5	1.85	11	92	73.96			5.6	2.10	9.7	109	134.82	5.5	1.80	GR39 GRF39	4P	11	100	123.66	5.5	1.95			12	85	105.28	5.6	2.30			14	73	90.77	5.6	2.70			15	68	84.61			5.7	2.80	18	60	73.96			5.7	3.30	6.9	154	123.91			3.9	0.80	GR29 GRF29	6P*	8.1	131	105.49			4.0	0.95	9.3					113	90.96	4.1	1.10	10			105	84.78	4.1			1.20	11	92	74.11	4.2	1.40	9.7	109	135.09	4.1	1.15	GR29 GRF29	4P	11	100	123.91	4.1	1.25			12	85	105.49	4.2	1.50			14	73	90.96	4.2	1.70			14	73	90.96	4.2	1.70			216	5.2	6.07	4.1	8.60	GRX69 GRXF69	4P	253	4.4	5.18	3.8	17			289	3.9	4.53	3.7	22			305	3.7	4.30	3.6	22			238	4.7	5.50	3.2	8.50	GRX59 GRXF59	4P	258	4.3	5.07	3.1	8.60			301	3.7	4.35	3.0	19			346	3.2	3.79	2.8	22			369	3.0	3.55	2.8	24			417	2.7	3.14	2.7	25			450	2.5	2.91			2.6	28	496	2.3	2.64	2.5	31	553	2.0	2.37	2.4	35			642	1.7	2.04	2.3	41			682	1.6	1.92	2.3	43	794	1.4	1.65	2.1	49																																																																																																																												
7.6	143	172.17	7.5	3.20	8.9	123			147.92	7.6	3.70	10.2	107			128.77	7.6	4.20			4.8	227	176.88	5.5	1.35	GR49 GRF49	6P*	52	20	25.23	2.1	4.10	5.2	209			162.94	5.5	1.45	6.1	179			139.99	5.6	1.70	7.0	156			121.87	5.7	1.95	7.4	147	176.88	5.7	2.00	GR49 GRF49	4P	57	19	23.15	2.0	4.40	8.0	135			162.94	5.7	2.20	9.4	116			139.99	5.8	2.60	11	101			121.87	5.8	3.00	11	95			114.17	5.8	3.20	13	84			100.86	5.8	3.60	14	78			93.68	5.8	3.90	6.3	167			134.82	5.0	1.15	GR39 GRF39	6P*	6.9	153	123.66	5.1	1.25	8.1	131			105.28	5.3	1.50	9.4	113			90.77	5.4	1.75			10	105	84.61	5.5	1.85			11	92	73.96	5.6	2.10			9.7	109	134.82	5.5	1.80	GR39 GRF39	4P	11	100	123.66	5.5	1.95	12	85			105.28	5.6	2.30	14	73			90.77	5.6	2.70	15	68			84.61	5.7	2.80	18	60			73.96	5.7	3.30			6.9	154	123.91	3.9	0.80			GR29 GRF29	6P*	8.1	131	105.49			4.0	0.95			9.3	113	90.96			4.1	1.10	10	105	84.78			4.1	1.20	11	92	74.11			4.2	1.40	9.7	109	135.09	4.1	1.15	GR29 GRF29	4P	11	100	123.91	4.1	1.25	12	85			105.49	4.2	1.50	14	73			90.96	4.2	1.70	14	73			90.96	4.2	1.70	216	5.2			6.07	4.1	8.60	GRX69 GRXF69	4P	253	4.4	5.18	3.8	17	289	3.9			4.53	3.7	22	305	3.7			4.30	3.6	22	238	4.7			5.50	3.2	8.50	GRX59 GRXF59	4P	258	4.3	5.07	3.1	8.60	301	3.7			4.35	3.0	19	346	3.2			3.79	2.8	22	369	3.0			3.55	2.8	24	417	2.7			3.14	2.7	25	450	2.5			2.91	2.6	28	496	2.3			2.64	2.5	31			553	2.0	2.37	2.4	35	642	1.7	2.04	2.3	41	682	1.6			1.92	2.3	43	794	1.4			1.65	2.1	49																																																																																																																																			
8.9	123	147.92	7.6	3.70	10.2	107			128.77	7.6	4.20	4.8	227			176.88	5.5	1.35	GR49 GRF49	6P*	52	20	25.23	2.1	4.10			5.2	209	162.94	5.5	1.45	6.1	179			139.99	5.6	1.70	7.0	156			121.87	5.7	1.95	7.4	147	176.88	5.7	2.00	GR49 GRF49	4P	57	19	23.15	2.0	4.40			8.0	135	162.94	5.7	2.20	9.4	116			139.99	5.8	2.60	11	101			121.87	5.8	3.00	11	95			114.17	5.8	3.20	13	84			100.86	5.8	3.60	14	78			93.68	5.8	3.90	6.3	167			134.82	5.0	1.15	GR39 GRF39	6P*	6.9	153	123.66	5.1	1.25			8.1	131	105.28	5.3	1.50	9.4	113			90.77	5.4	1.75	10	105			84.61	5.5	1.85			11	92	73.96	5.6	2.10			9.7	109	134.82	5.5	1.80	GR39 GRF39	4P	11	100	123.66	5.5	1.95			12	85	105.28	5.6	2.30	14	73			90.77	5.6	2.70	15	68			84.61	5.7	2.80	18	60			73.96	5.7	3.30	6.9	154			123.91	3.9	0.80			GR29 GRF29	6P*	8.1	131	105.49					4.0	0.95	9.3	113	90.96	4.1	1.10			10	105	84.78			4.1	1.20	11	92	74.11			4.2	1.40	9.7	109	135.09	4.1	1.15	GR29 GRF29	4P	11	100	123.91	4.1	1.25			12	85	105.49	4.2	1.50	14	73			90.96	4.2	1.70	14	73			90.96	4.2	1.70	216	5.2			6.07	4.1	8.60	GRX69 GRXF69	4P	253	4.4	5.18	3.8	17			289	3.9	4.53	3.7	22	305	3.7			4.30	3.6	22	238	4.7			5.50	3.2	8.50	GRX59 GRXF59	4P	258	4.3	5.07	3.1	8.60			301	3.7	4.35	3.0	19	346	3.2			3.79	2.8	22	369	3.0			3.55	2.8	24	417	2.7			3.14	2.7	25	450	2.5			2.91	2.6	28	496	2.3			2.64	2.5	31	553	2.0			2.37	2.4	35			642	1.7	2.04	2.3	41	682	1.6	1.92	2.3	43	794	1.4			1.65	2.1	49																																																																																																																																										
10.2	107	128.77	7.6	4.20	4.8	227			176.88	5.5	1.35	GR49 GRF49	6P*	52	20	25.23	2.1	4.10			5.2	209	162.94	5.5	1.45			6.1	179	139.99	5.6	1.70	7.0	156			121.87	5.7	1.95	7.4	147	176.88	5.7	2.00	GR49 GRF49	4P	57	19	23.15	2.0	4.40			8.0	135	162.94	5.7	2.20			9.4	116	139.99	5.8	2.60	11	101			121.87	5.8	3.00	11	95			114.17	5.8	3.20	13	84			100.86	5.8	3.60	14	78			93.68	5.8	3.90	6.3	167			134.82	5.0	1.15	GR39 GRF39	6P*	6.9	153	123.66	5.1	1.25			8.1	131	105.28	5.3	1.50			9.4	113	90.77	5.4	1.75	10	105			84.61	5.5	1.85	11	92			73.96	5.6	2.10			9.7	109	134.82	5.5	1.80	GR39 GRF39	4P	11	100	123.66	5.5	1.95			12	85	105.28	5.6	2.30			14	73	90.77	5.6	2.70	15	68			84.61	5.7	2.80	18	60			73.96	5.7	3.30	6.9	154			123.91	3.9	0.80	GR29 GRF29	6P*			8.1	131	105.49					4.0	0.95	9.3	113	90.96			4.1	1.10	10	105	84.78	4.1	1.20			11	92	74.11			4.2	1.40	9.7	109	135.09	4.1	1.15	GR29 GRF29	4P	11	100	123.91	4.1	1.25			12	85	105.49	4.2	1.50			14	73	90.96	4.2	1.70	14	73			90.96	4.2	1.70	216	5.2			6.07	4.1	8.60	GRX69 GRXF69	4P	253	4.4	5.18	3.8	17			289	3.9	4.53	3.7	22			305	3.7	4.30	3.6	22	238	4.7			5.50	3.2	8.50	GRX59 GRXF59	4P	258	4.3	5.07	3.1	8.60			301	3.7	4.35	3.0	19			346	3.2	3.79	2.8	22	369	3.0			3.55	2.8	24	417	2.7			3.14	2.7	25	450	2.5			2.91	2.6	28	496	2.3			2.64	2.5	31	553	2.0			2.37	2.4	35	642	1.7			2.04	2.3	41			682	1.6	1.92	2.3	43	794	1.4	1.65	2.1	49																																																																																																																																																	
4.8	227	176.88	5.5	1.35	GR49 GRF49	6P*	52	20	25.23	2.1	4.10			5.2	209	162.94	5.5	1.45			6.1	179	139.99	5.6	1.70			7.0	156	121.87	5.7	1.95	7.4	147	176.88	5.7	2.00	GR49 GRF49	4P	57	19	23.15	2.0	4.40			8.0	135	162.94	5.7	2.20			9.4	116	139.99	5.8	2.60			11	101	121.87	5.8	3.00	11	95			114.17	5.8	3.20	13	84			100.86	5.8	3.60	14	78			93.68	5.8	3.90	6.3	167			134.82	5.0	1.15	GR39 GRF39	6P*	6.9	153	123.66	5.1	1.25			8.1	131	105.28	5.3	1.50			9.4	113	90.77	5.4	1.75			10	105	84.61	5.5	1.85	11	92			73.96	5.6	2.10	9.7	109			134.82	5.5	1.80	GR39 GRF39	4P	11	100	123.66	5.5	1.95			12	85	105.28	5.6	2.30			14	73	90.77	5.6	2.70			15	68	84.61	5.7	2.80	18	60			73.96	5.7	3.30	6.9	154			123.91	3.9	0.80	GR29 GRF29	6P*			8.1	131	105.49					4.0	0.95	9.3	113	90.96			4.1	1.10	10	105	84.78			4.1	1.20	11	92	74.11	4.2	1.40			9.7	109	135.09	4.1	1.15	GR29 GRF29	4P	11	100	123.91	4.1	1.25			12	85	105.49	4.2	1.50			14	73	90.96	4.2	1.70			14	73	90.96	4.2	1.70	216	5.2			6.07	4.1	8.60	GRX69 GRXF69	4P	253	4.4	5.18	3.8	17			289	3.9	4.53	3.7	22			305	3.7	4.30	3.6	22			238	4.7	5.50	3.2	8.50	GRX59 GRXF59	4P	258	4.3	5.07	3.1	8.60			301	3.7	4.35	3.0	19			346	3.2	3.79	2.8	22			369	3.0	3.55	2.8	24	417	2.7			3.14	2.7	25	450	2.5			2.91	2.6	28	496	2.3			2.64	2.5	31	553	2.0			2.37	2.4	35	642	1.7			2.04	2.3	41	682	1.6			1.92	2.3	43			794	1.4	1.65	2.1	49																																																																																																																																																						
5.2	209	162.94	5.5	1.45			6.1	179	139.99	5.6	1.70			7.0	156	121.87	5.7	1.95			7.4	147	176.88	5.7	2.00	GR49 GRF49	4P	57	19	23.15	2.0	4.40	8.0	135	162.94	5.7	2.20			9.4	116	139.99	5.8	2.60			11	101	121.87	5.8	3.00			11	95	114.17	5.8	3.20			13	84	100.86	5.8	3.60	14	78			93.68	5.8	3.90	6.3	167			134.82	5.0	1.15	GR39 GRF39	6P*			6.9	153	123.66	5.1	1.25	8.1	131	105.28	5.3	1.50			9.4	113	90.77	5.4	1.75			10	105	84.61	5.5	1.85			11	92	73.96	5.6	2.10			9.7	109	134.82	5.5	1.80	GR39 GRF39	4P			11	100	123.66	5.5	1.95	12	85	105.28	5.6	2.30			14	73	90.77	5.6	2.70			15	68	84.61	5.7	2.80			18	60	73.96	5.7	3.30			6.9	154	123.91	3.9	0.80	GR29 GRF29	6P*			8.1	131	105.49	4.0	0.95			9.3	113	90.96					4.1	1.10	10			105	84.78	4.1	1.20	11	92	74.11			4.2	1.40	9.7	109	135.09			4.1	1.15	GR29 GRF29	4P	11	100	123.91	4.1	1.25	12	85	105.49	4.2	1.50			14	73	90.96	4.2	1.70			14	73	90.96	4.2	1.70			216	5.2	6.07	4.1	8.60			GRX69 GRXF69	4P	253	4.4	5.18	3.8	17	289	3.9	4.53	3.7	22			305	3.7	4.30	3.6	22			238	4.7	5.50	3.2	8.50			GRX59 GRXF59	4P	258	4.3	5.07	3.1	8.60	301	3.7	4.35	3.0	19			346	3.2	3.79	2.8	22			369	3.0	3.55	2.8	24			417	2.7	3.14	2.7	25			450	2.5	2.91	2.6	28	496	2.3			2.64	2.5	31	553	2.0			2.37	2.4	35	642	1.7			2.04	2.3	41	682	1.6			1.92	2.3	43	794	1.4			1.65	2.1	49																																																																																																																																																																				
6.1	179	139.99	5.6	1.70			7.0	156	121.87	5.7	1.95			7.4	147	176.88	5.7	2.00	GR49 GRF49	4P	57	19	23.15	2.0	4.40			8.0	135	162.94	5.7	2.20	9.4	116	139.99	5.8	2.60			11	101	121.87	5.8	3.00			11	95	114.17	5.8	3.20			13	84	100.86	5.8	3.60			14	78	93.68	5.8	3.90	6.3	167			134.82	5.0	1.15	GR39 GRF39	6P*			6.9	153	123.66			5.1	1.25	8.1	131	105.28	5.3	1.50	9.4	113	90.77	5.4	1.75			10	105	84.61	5.5	1.85			11	92	73.96	5.6	2.10			9.7	109	134.82	5.5	1.80			GR39 GRF39	4P	11	100	123.66			5.5	1.95	12	85	105.28	5.6	2.30	14	73	90.77	5.6	2.70			15	68	84.61	5.7	2.80			18	60	73.96	5.7	3.30			6.9	154	123.91	3.9	0.80			GR29 GRF29	6P*	8.1	131	105.49					4.0	0.95	9.3	113	90.96			4.1	1.10	10			105	84.78	4.1	1.20	11			92	74.11	4.2	1.40	9.7	109	135.09			4.1	1.15	GR29 GRF29	4P	11	100	123.91	4.1	1.25			12	85	105.49	4.2	1.50	14	73	90.96	4.2	1.70			14	73	90.96	4.2	1.70			216	5.2	6.07	4.1	8.60			GRX69 GRXF69	4P	253	4.4	5.18	3.8	17			289	3.9	4.53	3.7	22	305	3.7	4.30	3.6	22			238	4.7	5.50	3.2	8.50			GRX59 GRXF59	4P	258	4.3	5.07	3.1	8.60			301	3.7	4.35	3.0	19	346	3.2	3.79	2.8	22			369	3.0	3.55	2.8	24			417	2.7	3.14	2.7	25			450	2.5	2.91	2.6	28			496	2.3	2.64	2.5	31	553	2.0			2.37	2.4	35	642	1.7			2.04	2.3	41	682	1.6			1.92	2.3	43	794	1.4			1.65	2.1	49																																																																																																																																																																											
7.0	156	121.87	5.7	1.95			7.4	147	176.88	5.7	2.00	GR49 GRF49	4P	57	19	23.15	2.0	4.40			8.0	135	162.94	5.7	2.20			9.4	116	139.99	5.8	2.60	11	101	121.87	5.8	3.00			11	95	114.17	5.8	3.20			13	84	100.86	5.8	3.60			14	78	93.68	5.8	3.90			6.3	167	134.82	5.0	1.15	GR39 GRF39	6P*			6.9	153	123.66			5.1	1.25	8.1	131	105.28			5.3	1.50	9.4	113	90.77	5.4	1.75	10	105	84.61	5.5	1.85			11	92	73.96	5.6	2.10			9.7	109	134.82	5.5	1.80			GR39 GRF39	4P	11	100	123.66	5.5	1.95			12	85	105.28			5.6	2.30	14	73	90.77	5.6	2.70	15	68	84.61	5.7	2.80			18	60	73.96	5.7	3.30			6.9	154	123.91	3.9	0.80			GR29 GRF29	6P*	8.1	131	105.49					4.0	0.95	9.3					113	90.96	4.1	1.10	10	105	84.78	4.1	1.20	11			92	74.11	4.2	1.40	9.7			109	135.09	4.1	1.15	GR29 GRF29	4P	11	100	123.91	4.1	1.25			12	85	105.49	4.2	1.50			14	73	90.96	4.2	1.70	14	73	90.96	4.2	1.70			216	5.2	6.07	4.1	8.60			GRX69 GRXF69	4P	253	4.4	5.18	3.8	17			289	3.9	4.53	3.7	22			305	3.7	4.30	3.6	22	238	4.7	5.50	3.2	8.50			GRX59 GRXF59	4P	258	4.3	5.07	3.1	8.60			301	3.7	4.35	3.0	19			346	3.2	3.79	2.8	22	369	3.0	3.55	2.8	24			417	2.7	3.14	2.7	25			450	2.5	2.91	2.6	28			496	2.3	2.64	2.5	31			553	2.0	2.37	2.4	35	642	1.7			2.04	2.3	41	682	1.6			1.92	2.3	43	794	1.4			1.65	2.1	49																																																																																																																																																																																		
7.4	147	176.88	5.7	2.00	GR49 GRF49	4P	57	19	23.15	2.0	4.40			8.0	135	162.94	5.7	2.20			9.4	116	139.99	5.8	2.60			11	101	121.87	5.8	3.00	11	95	114.17	5.8	3.20			13	84	100.86	5.8	3.60			14	78	93.68	5.8	3.90			6.3	167	134.82	5.0	1.15			GR39 GRF39	6P*	6.9	153	123.66			5.1	1.25	8.1	131	105.28			5.3	1.50	9.4	113	90.77			5.4	1.75	10	105	84.61	5.5	1.85	11	92	73.96	5.6	2.10			9.7	109	134.82	5.5	1.80			GR39 GRF39	4P	11	100	123.66	5.5	1.95			12	85	105.28	5.6	2.30			14	73	90.77			5.6	2.70	15	68	84.61	5.7	2.80	18	60	73.96	5.7	3.30			6.9	154	123.91	3.9	0.80			GR29 GRF29	6P*	8.1	131	105.49					4.0	0.95	9.3					113	90.96	4.1			1.10	10	105	84.78	4.1	1.20	11	92	74.11	4.2	1.40	9.7			109	135.09	4.1	1.15	GR29 GRF29	4P	11	100	123.91	4.1	1.25			12	85	105.49	4.2	1.50			14	73	90.96	4.2	1.70			14	73	90.96	4.2	1.70	216	5.2	6.07	4.1	8.60			GRX69 GRXF69	4P	253	4.4	5.18	3.8	17			289	3.9	4.53	3.7	22			305	3.7	4.30	3.6	22			238	4.7	5.50	3.2	8.50	GRX59 GRXF59	4P	258	4.3	5.07	3.1	8.60			301	3.7	4.35	3.0	19			346	3.2	3.79	2.8	22			369	3.0	3.55	2.8	24	417	2.7	3.14	2.7	25			450	2.5	2.91	2.6	28			496	2.3	2.64	2.5	31			553	2.0	2.37	2.4	35			642	1.7	2.04	2.3	41	682	1.6			1.92	2.3	43	794	1.4			1.65	2.1	49																																																																																																																																																																																									
8.0	135	162.94	5.7	2.20			9.4	116	139.99	5.8	2.60			11	101	121.87	5.8	3.00			11	95	114.17	5.8	3.20			13	84	100.86	5.8	3.60	14	78	93.68	5.8	3.90			6.3	167	134.82	5.0	1.15			GR39 GRF39	6P*	6.9	153	123.66			5.1	1.25	8.1	131	105.28	5.3	1.50			9.4	113	90.77			5.4	1.75	10	105	84.61			5.5	1.85	11	92	73.96			5.6	2.10	9.7	109	134.82	5.5	1.80	GR39 GRF39	4P	11	100	123.66			5.5	1.95	12	85	105.28	5.6	2.30			14	73	90.77	5.6	2.70			15	68	84.61	5.7	2.80			18	60	73.96			5.7	3.30	6.9	154	123.91	3.9	0.80	GR29 GRF29	6P*	8.1	131	105.49			4.0	0.95	9.3	113	90.96					4.1	1.10	10					105	84.78	4.1	1.20	11			92	74.11	4.2			1.40	9.7	109	135.09	4.1	1.15	GR29 GRF29	4P	11	100	123.91	4.1	1.25	12	85	105.49	4.2	1.50			14	73	90.96	4.2	1.70			14	73	90.96	4.2	1.70			216	5.2	6.07	4.1	8.60			GRX69 GRXF69	4P	253	4.4	5.18	3.8	17	289	3.9	4.53	3.7	22			305	3.7	4.30	3.6	22			238	4.7	5.50	3.2	8.50			GRX59 GRXF59	4P	258	4.3	5.07	3.1	8.60	301	3.7	4.35	3.0	19			346	3.2	3.79	2.8	22			369	3.0	3.55	2.8	24			417	2.7	3.14	2.7	25			450	2.5	2.91	2.6	28	496	2.3	2.64	2.5	31			553	2.0	2.37	2.4	35			642	1.7	2.04	2.3	41			682	1.6	1.92	2.3	43			794	1.4	1.65	2.1	49																																																																																																																																																																																																							
9.4	116	139.99	5.8	2.60			11	101	121.87	5.8	3.00			11	95	114.17	5.8	3.20			13	84	100.86	5.8	3.60			14	78	93.68	5.8	3.90	6.3	167	134.82	5.0	1.15			GR39 GRF39	6P*	6.9	153	123.66					5.1	1.25	8.1	131	105.28	5.3	1.50	9.4	113	90.77	5.4	1.75			10	105	84.61			5.5	1.85	11	92	73.96			5.6	2.10	9.7	109	134.82			5.5	1.80	GR39 GRF39	4P	11	100	123.66			5.5	1.95	12	85	105.28	5.6	2.30	14	73	90.77	5.6	2.70			15	68	84.61	5.7	2.80			18	60	73.96	5.7	3.30			6.9	154	123.91			3.9	0.80	GR29 GRF29	6P*	8.1	131	105.49			4.0	0.95	9.3			113	90.96	4.1	1.10	10					105	84.78	4.1	1.20	11			92	74.11	4.2	1.40	9.7			109	135.09	4.1	1.15	GR29 GRF29	4P	11	100	123.91	4.1	1.25			12	85	105.49	4.2	1.50	14	73	90.96	4.2	1.70			14	73	90.96	4.2	1.70			216	5.2	6.07	4.1	8.60			GRX69 GRXF69	4P	253	4.4	5.18	3.8	17			289	3.9	4.53	3.7	22	305	3.7	4.30	3.6	22			238	4.7	5.50	3.2	8.50			GRX59 GRXF59	4P	258	4.3	5.07	3.1	8.60			301	3.7	4.35	3.0	19	346	3.2	3.79	2.8	22			369	3.0	3.55	2.8	24			417	2.7	3.14	2.7	25			450	2.5	2.91	2.6	28			496	2.3	2.64	2.5	31	553	2.0	2.37	2.4	35			642	1.7	2.04	2.3	41			682	1.6	1.92	2.3	43			794	1.4	1.65	2.1	49																																																																																																																																																																																																														
11	101	121.87	5.8	3.00			11	95	114.17	5.8	3.20			13	84	100.86	5.8	3.60			14	78	93.68	5.8	3.90			6.3	167	134.82	5.0	1.15	GR39 GRF39	6P*	6.9	153	123.66					5.1	1.25	8.1	131	105.28			5.3	1.50	9.4	113	90.77	5.4	1.75	10	105	84.61	5.5	1.85			11	92	73.96			5.6	2.10	9.7	109	134.82			5.5	1.80	GR39 GRF39	4P	11	100	123.66	5.5	1.95			12	85	105.28			5.6	2.30	14	73	90.77	5.6	2.70	15	68	84.61	5.7	2.80			18	60	73.96	5.7	3.30			6.9	154	123.91	3.9	0.80			GR29 GRF29	6P*	8.1			131	105.49			4.0	0.95	9.3			113	90.96	4.1			1.10	10	105	84.78	4.1	1.20	11			92	74.11	4.2	1.40	9.7			109	135.09	4.1	1.15	GR29 GRF29	4P	11	100	123.91	4.1	1.25			12	85	105.49	4.2	1.50			14	73	90.96	4.2	1.70	14	73	90.96	4.2	1.70			216	5.2	6.07	4.1	8.60			GRX69 GRXF69	4P	253	4.4	5.18	3.8	17			289	3.9	4.53	3.7	22			305	3.7	4.30	3.6	22	238	4.7	5.50	3.2	8.50			GRX59 GRXF59	4P	258	4.3	5.07	3.1	8.60			301	3.7	4.35	3.0	19			346	3.2	3.79	2.8	22	369	3.0	3.55	2.8	24			417	2.7	3.14	2.7	25			450	2.5	2.91	2.6	28			496	2.3	2.64	2.5	31			553	2.0	2.37	2.4	35	642	1.7	2.04	2.3	41			682	1.6	1.92	2.3	43			794	1.4	1.65	2.1	49																																																																																																																																																																																																																					
11	95	114.17	5.8	3.20			13	84	100.86	5.8	3.60			14	78	93.68	5.8	3.90			6.3	167	134.82	5.0	1.15			GR39 GRF39	6P*	6.9	153	123.66			5.1	1.25	8.1	131	105.28			5.3	1.50	9.4	113	90.77			5.4	1.75	10	105	84.61	5.5	1.85	11	92	73.96	5.6	2.10			9.7	109	134.82			5.5	1.80	GR39 GRF39	4P	11	100	123.66	5.5	1.95			12	85	105.28	5.6	2.30			14	73	90.77			5.6	2.70	15	68	84.61	5.7	2.80	18	60	73.96	5.7	3.30			6.9	154	123.91	3.9	0.80			GR29 GRF29	6P*	8.1	131	105.49					4.0			0.95	9.3			113	90.96	4.1			1.10	10	105	84.78	4.1	1.20	11	92	74.11	4.2	1.40	9.7			109	135.09	4.1	1.15	GR29 GRF29	4P	11	100	123.91	4.1	1.25			12	85	105.49	4.2	1.50			14	73	90.96	4.2	1.70			14	73	90.96	4.2	1.70	216	5.2	6.07	4.1	8.60			GRX69 GRXF69	4P	253	4.4	5.18	3.8	17			289	3.9	4.53	3.7	22			305	3.7	4.30	3.6	22			238	4.7	5.50	3.2	8.50	GRX59 GRXF59	4P	258	4.3	5.07	3.1	8.60			301	3.7	4.35	3.0	19			346	3.2	3.79	2.8	22			369	3.0	3.55	2.8	24	417	2.7	3.14	2.7	25			450	2.5	2.91	2.6	28			496	2.3	2.64	2.5	31			553	2.0	2.37	2.4	35			642	1.7	2.04	2.3	41	682	1.6	1.92	2.3	43			794	1.4	1.65	2.1	49																																																																																																																																																																																																																												
13	84	100.86	5.8	3.60			14	78	93.68	5.8	3.90			6.3	167	134.82	5.0	1.15			GR39 GRF39	6P*	6.9	153	123.66	5.1	1.25			8.1	131	105.28			5.3	1.50	9.4	113	90.77			5.4	1.75	10	105	84.61			5.5	1.85	11	92	73.96	5.6	2.10	9.7	109	134.82	5.5	1.80			GR39 GRF39	4P	11	100	123.66	5.5	1.95			12	85	105.28	5.6	2.30			14	73	90.77	5.6	2.70			15	68	84.61			5.7	2.80	18	60	73.96	5.7	3.30	6.9	154	123.91	3.9	0.80			GR29 GRF29	6P*	8.1	131	105.49					4.0	0.95	9.3					113	90.96	4.1	1.10	10			105	84.78	4.1			1.20	11	92	74.11	4.2	1.40	9.7	109	135.09	4.1	1.15	GR29 GRF29	4P	11	100	123.91	4.1	1.25			12	85	105.49	4.2	1.50			14	73	90.96	4.2	1.70			14	73	90.96	4.2	1.70			216	5.2	6.07	4.1	8.60	GRX69 GRXF69	4P	253	4.4	5.18	3.8	17			289	3.9	4.53	3.7	22			305	3.7	4.30	3.6	22			238	4.7	5.50	3.2	8.50	GRX59 GRXF59	4P	258	4.3	5.07	3.1	8.60			301	3.7	4.35	3.0	19			346	3.2	3.79	2.8	22			369	3.0	3.55	2.8	24			417	2.7	3.14	2.7	25	450	2.5	2.91	2.6	28			496	2.3	2.64	2.5	31			553	2.0	2.37	2.4	35			642	1.7	2.04	2.3	41			682	1.6	1.92	2.3	43	794	1.4	1.65	2.1	49																																																																																																																																																																																																																																			
14	78	93.68	5.8	3.90			6.3	167	134.82	5.0	1.15			GR39 GRF39	6P*	6.9	153	123.66	5.1	1.25			8.1	131	105.28	5.3	1.50			9.4	113	90.77			5.4	1.75	10	105	84.61			5.5	1.85	11	92	73.96			5.6	2.10	9.7	109	134.82	5.5	1.80	GR39 GRF39	4P	11	100	123.66	5.5	1.95			12	85	105.28	5.6	2.30			14	73	90.77	5.6	2.70			15	68	84.61	5.7	2.80			18	60	73.96			5.7	3.30	6.9	154	123.91	3.9	0.80	GR29 GRF29	6P*	8.1	131	105.49					4.0	0.95	9.3					113	90.96	4.1	1.10	10			105	84.78	4.1	1.20	11			92	74.11	4.2	1.40	9.7	109	135.09	4.1	1.15	GR29 GRF29	4P	11	100	123.91	4.1	1.25			12	85	105.49	4.2	1.50			14	73	90.96	4.2	1.70			14	73	90.96	4.2	1.70			216	5.2	6.07	4.1	8.60	GRX69 GRXF69	4P	253	4.4	5.18	3.8	17			289	3.9	4.53	3.7	22			305	3.7	4.30	3.6	22			238	4.7	5.50	3.2	8.50	GRX59 GRXF59	4P	258	4.3	5.07	3.1	8.60			301	3.7	4.35	3.0	19			346	3.2	3.79	2.8	22			369	3.0	3.55	2.8	24			417	2.7	3.14	2.7	25			450	2.5	2.91	2.6	28	496	2.3	2.64	2.5	31			553	2.0	2.37	2.4	35			642	1.7	2.04	2.3	41			682	1.6	1.92	2.3	43			794	1.4	1.65	2.1	49																																																																																																																																																																																																																																								
6.3	167	134.82	5.0	1.15			GR39 GRF39	6P*	6.9	153	123.66	5.1	1.25			8.1	131	105.28	5.3	1.50			9.4	113	90.77	5.4	1.75			10	105	84.61			5.5	1.85	11	92	73.96			5.6	2.10	9.7	109	134.82	5.5	1.80	GR39 GRF39	4P	11	100	123.66	5.5	1.95			12	85	105.28	5.6	2.30			14	73	90.77	5.6	2.70			15	68	84.61	5.7	2.80			18	60	73.96	5.7	3.30			6.9	154	123.91			3.9	0.80	GR29 GRF29	6P*	8.1	131	105.49			4.0	0.95	9.3					113	90.96	4.1	1.10	10			105	84.78	4.1	1.20	11			92	74.11	4.2	1.40	9.7	109	135.09	4.1	1.15	GR29 GRF29	4P	11	100	123.91	4.1	1.25			12	85	105.49	4.2	1.50			14	73	90.96	4.2	1.70			14	73	90.96	4.2	1.70			216	5.2	6.07	4.1	8.60	GRX69 GRXF69	4P	253	4.4	5.18	3.8	17			289	3.9	4.53	3.7	22			305	3.7	4.30	3.6	22			238	4.7	5.50	3.2	8.50	GRX59 GRXF59	4P	258	4.3	5.07	3.1	8.60			301	3.7	4.35	3.0	19			346	3.2	3.79	2.8	22			369	3.0	3.55	2.8	24			417	2.7	3.14	2.7	25			450	2.5	2.91	2.6	28			496	2.3	2.64	2.5	31	553	2.0	2.37	2.4	35			642	1.7	2.04	2.3	41			682	1.6	1.92	2.3	43			794	1.4	1.65	2.1	49																																																																																																																																																																																																																																															
6.9	153	123.66	5.1	1.25	8.1	131			105.28	5.3	1.50	9.4	113			90.77	5.4	1.75	10	105			84.61	5.5	1.85	11	92			73.96	5.6	2.10			9.7	109	134.82	5.5	1.80	GR39 GRF39	4P	11	100	123.66	5.5	1.95	12	85			105.28	5.6	2.30	14	73			90.77	5.6	2.70	15	68			84.61	5.7	2.80	18	60			73.96	5.7	3.30	6.9	154			123.91	3.9	0.80	GR29 GRF29	6P*			8.1	131	105.49			4.0	0.95			9.3	113	90.96			4.1	1.10	10	105	84.78			4.1	1.20	11	92	74.11			4.2	1.40	9.7	109	135.09	4.1	1.15	GR29 GRF29	4P	11	100	123.91	4.1	1.25	12	85			105.49	4.2	1.50	14	73			90.96	4.2	1.70	14	73			90.96	4.2	1.70	216	5.2			6.07	4.1	8.60	GRX69 GRXF69	4P	253	4.4	5.18	3.8	17	289	3.9			4.53	3.7	22	305	3.7			4.30	3.6	22	238	4.7			5.50	3.2	8.50	GRX59 GRXF59	4P	258	4.3	5.07	3.1	8.60	301	3.7			4.35	3.0	19	346	3.2			3.79	2.8	22	369	3.0			3.55	2.8	24	417	2.7			3.14	2.7	25	450	2.5			2.91	2.6	28	496	2.3			2.64	2.5	31	553	2.0			2.37	2.4	35	642	1.7	2.04	2.3	41	682	1.6			1.92	2.3	43	794	1.4			1.65	2.1	49																																																																																																																																																																																																																																																								
8.1	131	105.28	5.3	1.50	9.4	113			90.77	5.4	1.75	10	105			84.61	5.5	1.85	11	92			73.96	5.6	2.10	9.7	109			134.82	5.5	1.80	GR39 GRF39	4P	11	100	123.66	5.5	1.95			12	85	105.28	5.6	2.30	14	73			90.77	5.6	2.70	15	68			84.61	5.7	2.80	18	60			73.96	5.7	3.30	6.9	154			123.91	3.9	0.80	GR29 GRF29	6P*			8.1	131	105.49					4.0	0.95	9.3	113	90.96	4.1	1.10			10	105	84.78			4.1	1.20	11	92	74.11			4.2	1.40	9.7	109	135.09	4.1	1.15	GR29 GRF29	4P	11	100	123.91	4.1	1.25			12	85	105.49	4.2	1.50	14	73			90.96	4.2	1.70	14	73			90.96	4.2	1.70	216	5.2			6.07	4.1	8.60	GRX69 GRXF69	4P	253	4.4	5.18	3.8	17			289	3.9	4.53	3.7	22	305	3.7			4.30	3.6	22	238	4.7			5.50	3.2	8.50	GRX59 GRXF59	4P	258	4.3	5.07	3.1	8.60			301	3.7	4.35	3.0	19	346	3.2			3.79	2.8	22	369	3.0			3.55	2.8	24	417	2.7			3.14	2.7	25	450	2.5			2.91	2.6	28	496	2.3			2.64	2.5	31	553	2.0			2.37	2.4	35	642	1.7			2.04	2.3	41	682	1.6	1.92	2.3	43	794	1.4			1.65	2.1	49																																																																																																																																																																																																																																																															
9.4	113	90.77	5.4	1.75	10	105			84.61	5.5	1.85	11	92			73.96	5.6	2.10	9.7	109			134.82	5.5	1.80	GR39 GRF39	4P	11	100	123.66	5.5	1.95			12	85	105.28	5.6	2.30			14	73	90.77	5.6	2.70	15	68			84.61	5.7	2.80	18	60			73.96	5.7	3.30	6.9	154			123.91	3.9	0.80	GR29 GRF29	6P*			8.1	131	105.49					4.0	0.95	9.3			113	90.96	4.1	1.10	10	105	84.78	4.1	1.20			11	92	74.11			4.2	1.40	9.7	109	135.09	4.1	1.15	GR29 GRF29	4P	11	100	123.91	4.1	1.25			12	85	105.49	4.2	1.50			14	73	90.96	4.2	1.70	14	73			90.96	4.2	1.70	216	5.2			6.07	4.1	8.60	GRX69 GRXF69	4P	253	4.4	5.18	3.8	17			289	3.9	4.53	3.7	22			305	3.7	4.30	3.6	22	238	4.7			5.50	3.2	8.50	GRX59 GRXF59	4P	258	4.3	5.07	3.1	8.60			301	3.7	4.35	3.0	19			346	3.2	3.79	2.8	22	369	3.0			3.55	2.8	24	417	2.7			3.14	2.7	25	450	2.5			2.91	2.6	28	496	2.3			2.64	2.5	31	553	2.0			2.37	2.4	35	642	1.7			2.04	2.3	41	682	1.6			1.92	2.3	43	794	1.4	1.65	2.1	49																																																																																																																																																																																																																																																																						
10	105	84.61	5.5	1.85	11	92			73.96	5.6	2.10	9.7	109			134.82	5.5	1.80	GR39 GRF39	4P	11	100	123.66	5.5	1.95			12	85	105.28	5.6	2.30			14	73	90.77	5.6	2.70			15	68	84.61	5.7	2.80	18	60			73.96	5.7	3.30	6.9	154			123.91	3.9	0.80	GR29 GRF29	6P*			8.1	131	105.49					4.0	0.95	9.3			113	90.96	4.1	1.10	10			105	84.78	4.1	1.20	11	92	74.11	4.2	1.40			9.7	109	135.09	4.1	1.15	GR29 GRF29	4P	11	100	123.91	4.1	1.25			12	85	105.49	4.2	1.50			14	73	90.96	4.2	1.70			14	73	90.96	4.2	1.70	216	5.2			6.07	4.1	8.60	GRX69 GRXF69	4P	253	4.4	5.18	3.8	17			289	3.9	4.53	3.7	22			305	3.7	4.30	3.6	22			238	4.7	5.50	3.2	8.50	GRX59 GRXF59	4P	258	4.3	5.07	3.1	8.60			301	3.7	4.35	3.0	19			346	3.2	3.79	2.8	22			369	3.0	3.55	2.8	24	417	2.7			3.14	2.7	25	450	2.5			2.91	2.6	28	496	2.3			2.64	2.5	31	553	2.0			2.37	2.4	35	642	1.7			2.04	2.3	41	682	1.6			1.92	2.3	43	794	1.4			1.65	2.1	49																																																																																																																																																																																																																																																																											
11	92	73.96	5.6	2.10	9.7	109			134.82	5.5	1.80	GR39 GRF39	4P	11	100	123.66	5.5	1.95			12	85	105.28	5.6	2.30			14	73	90.77	5.6	2.70			15	68	84.61	5.7	2.80			18	60	73.96	5.7	3.30	6.9	154			123.91	3.9	0.80	GR29 GRF29	6P*			8.1	131	105.49					4.0	0.95	9.3			113	90.96	4.1	1.10	10			105	84.78	4.1	1.20	11			92	74.11	4.2	1.40	9.7	109	135.09	4.1	1.15	GR29 GRF29	4P	11	100	123.91	4.1	1.25			12	85	105.49	4.2	1.50			14	73	90.96	4.2	1.70			14	73	90.96	4.2	1.70			216	5.2	6.07	4.1	8.60	GRX69 GRXF69	4P	253	4.4	5.18	3.8	17			289	3.9	4.53	3.7	22			305	3.7	4.30	3.6	22			238	4.7	5.50	3.2	8.50	GRX59 GRXF59	4P	258	4.3	5.07	3.1	8.60			301	3.7	4.35	3.0	19			346	3.2	3.79	2.8	22			369	3.0	3.55	2.8	24			417	2.7	3.14	2.7	25	450	2.5			2.91	2.6	28	496	2.3			2.64	2.5	31	553	2.0			2.37	2.4	35	642	1.7			2.04	2.3	41	682	1.6			1.92	2.3	43	794	1.4			1.65	2.1	49																																																																																																																																																																																																																																																																																		
9.7	109	134.82	5.5	1.80	GR39 GRF39	4P	11	100	123.66	5.5	1.95			12	85	105.28	5.6	2.30			14	73	90.77	5.6	2.70			15	68	84.61	5.7	2.80			18	60	73.96	5.7	3.30			6.9	154	123.91	3.9	0.80	GR29 GRF29	6P*			8.1	131	105.49					4.0	0.95	9.3			113	90.96	4.1	1.10	10			105	84.78	4.1	1.20	11			92	74.11	4.2	1.40	9.7	109	135.09	4.1	1.15	GR29 GRF29	4P	11	100	123.91	4.1	1.25			12	85	105.49	4.2	1.50			14	73	90.96	4.2	1.70			14	73	90.96	4.2	1.70			216	5.2	6.07	4.1	8.60	GRX69 GRXF69	4P	253	4.4	5.18	3.8	17			289	3.9	4.53	3.7	22			305	3.7	4.30	3.6	22			238	4.7	5.50	3.2	8.50	GRX59 GRXF59	4P	258	4.3	5.07	3.1	8.60			301	3.7	4.35	3.0	19			346	3.2	3.79	2.8	22			369	3.0	3.55	2.8	24			417	2.7	3.14	2.7	25			450	2.5	2.91	2.6	28	496	2.3			2.64	2.5	31	553	2.0			2.37	2.4	35	642	1.7			2.04	2.3	41	682	1.6			1.92	2.3	43	794	1.4			1.65	2.1	49																																																																																																																																																																																																																																																																																									
11	100	123.66	5.5	1.95			12	85	105.28	5.6	2.30			14	73	90.77	5.6	2.70			15	68	84.61	5.7	2.80			18	60	73.96	5.7	3.30			6.9	154	123.91	3.9	0.80			GR29 GRF29	6P*	8.1	131	105.49					4.0	0.95	9.3			113	90.96	4.1	1.10	10			105	84.78	4.1	1.20	11			92	74.11	4.2	1.40	9.7	109	135.09	4.1	1.15	GR29 GRF29	4P	11	100	123.91	4.1	1.25			12	85	105.49	4.2	1.50			14	73	90.96	4.2	1.70			14	73	90.96	4.2	1.70			216	5.2	6.07	4.1	8.60	GRX69 GRXF69	4P	253	4.4	5.18	3.8	17			289	3.9	4.53	3.7	22			305	3.7	4.30	3.6	22			238	4.7	5.50	3.2	8.50	GRX59 GRXF59	4P	258	4.3	5.07	3.1	8.60			301	3.7	4.35	3.0	19			346	3.2	3.79	2.8	22			369	3.0	3.55	2.8	24			417	2.7	3.14	2.7	25			450	2.5	2.91	2.6	28			496	2.3	2.64	2.5	31	553	2.0			2.37	2.4	35	642	1.7			2.04	2.3	41	682	1.6			1.92	2.3	43	794	1.4			1.65	2.1	49																																																																																																																																																																																																																																																																																																
12	85	105.28	5.6	2.30			14	73	90.77	5.6	2.70			15	68	84.61	5.7	2.80			18	60	73.96	5.7	3.30			6.9	154	123.91	3.9	0.80			GR29 GRF29	6P*	8.1	131	105.49					4.0	0.95	9.3			113	90.96	4.1	1.10	10			105	84.78	4.1	1.20	11			92	74.11	4.2	1.40	9.7	109	135.09	4.1	1.15	GR29 GRF29	4P	11	100	123.91	4.1	1.25			12	85	105.49	4.2	1.50			14	73	90.96	4.2	1.70			14	73	90.96	4.2	1.70			216	5.2	6.07	4.1	8.60	GRX69 GRXF69	4P	253	4.4	5.18	3.8	17			289	3.9	4.53	3.7	22			305	3.7	4.30	3.6	22			238	4.7	5.50	3.2	8.50	GRX59 GRXF59	4P	258	4.3	5.07	3.1	8.60			301	3.7	4.35	3.0	19			346	3.2	3.79	2.8	22			369	3.0	3.55	2.8	24			417	2.7	3.14	2.7	25			450	2.5	2.91	2.6	28			496	2.3	2.64	2.5	31			553	2.0	2.37	2.4	35	642	1.7			2.04	2.3	41	682	1.6			1.92	2.3	43	794	1.4			1.65	2.1	49																																																																																																																																																																																																																																																																																																							
14	73	90.77	5.6	2.70			15	68	84.61	5.7	2.80			18	60	73.96	5.7	3.30			6.9	154	123.91	3.9	0.80			GR29 GRF29	6P*	8.1	131	105.49					4.0	0.95	9.3	113	90.96			4.1	1.10	10			105	84.78	4.1	1.20	11			92	74.11	4.2	1.40	9.7	109	135.09	4.1	1.15	GR29 GRF29	4P	11	100	123.91	4.1	1.25			12	85	105.49	4.2	1.50			14	73	90.96	4.2	1.70			14	73	90.96	4.2	1.70			216	5.2	6.07	4.1	8.60	GRX69 GRXF69	4P	253	4.4	5.18	3.8	17			289	3.9	4.53	3.7	22			305	3.7	4.30	3.6	22			238	4.7	5.50	3.2	8.50	GRX59 GRXF59	4P	258	4.3	5.07	3.1	8.60			301	3.7	4.35	3.0	19			346	3.2	3.79	2.8	22			369	3.0	3.55	2.8	24			417	2.7	3.14	2.7	25			450	2.5	2.91	2.6	28			496	2.3	2.64	2.5	31			553	2.0	2.37	2.4	35			642	1.7	2.04	2.3	41	682	1.6			1.92	2.3	43	794	1.4			1.65	2.1	49																																																																																																																																																																																																																																																																																																														
15	68	84.61	5.7	2.80			18	60	73.96	5.7	3.30			6.9	154	123.91	3.9	0.80			GR29 GRF29	6P*	8.1	131	105.49					4.0	0.95	9.3	113	90.96			4.1	1.10	10	105	84.78			4.1	1.20	11			92	74.11	4.2	1.40	9.7	109	135.09	4.1	1.15	GR29 GRF29	4P	11	100	123.91	4.1	1.25			12	85	105.49	4.2	1.50			14	73	90.96	4.2	1.70			14	73	90.96	4.2	1.70			216	5.2	6.07	4.1	8.60	GRX69 GRXF69	4P	253	4.4	5.18	3.8	17			289	3.9	4.53	3.7	22			305	3.7	4.30	3.6	22			238	4.7	5.50	3.2	8.50	GRX59 GRXF59	4P	258	4.3	5.07	3.1	8.60			301	3.7	4.35	3.0	19			346	3.2	3.79	2.8	22			369	3.0	3.55	2.8	24			417	2.7	3.14	2.7	25			450	2.5	2.91	2.6	28			496	2.3	2.64	2.5	31			553	2.0	2.37	2.4	35			642	1.7	2.04	2.3	41			682	1.6	1.92	2.3	43	794	1.4			1.65	2.1	49																																																																																																																																																																																																																																																																																																																					
18	60	73.96	5.7	3.30			6.9	154	123.91	3.9	0.80			GR29 GRF29	6P*	8.1	131	105.49					4.0	0.95	9.3	113	90.96			4.1	1.10	10	105	84.78			4.1	1.20	11	92	74.11			4.2	1.40	9.7	109	135.09	4.1	1.15	GR29 GRF29	4P	11	100	123.91	4.1	1.25			12	85	105.49	4.2	1.50			14	73	90.96	4.2	1.70			14	73	90.96	4.2	1.70			216	5.2	6.07	4.1	8.60	GRX69 GRXF69	4P	253	4.4	5.18	3.8	17			289	3.9	4.53	3.7	22			305	3.7	4.30	3.6	22			238	4.7	5.50	3.2	8.50	GRX59 GRXF59	4P	258	4.3	5.07	3.1	8.60			301	3.7	4.35	3.0	19			346	3.2	3.79	2.8	22			369	3.0	3.55	2.8	24			417	2.7	3.14	2.7	25			450	2.5	2.91	2.6	28			496	2.3	2.64	2.5	31			553	2.0	2.37	2.4	35			642	1.7	2.04	2.3	41			682	1.6	1.92	2.3	43			794	1.4	1.65	2.1	49																																																																																																																																																																																																																																																																																																																												
6.9	154	123.91	3.9	0.80			GR29 GRF29	6P*	8.1	131	105.49					4.0	0.95	9.3	113	90.96			4.1	1.10	10	105	84.78			4.1	1.20	11	92	74.11			4.2	1.40	9.7	109	135.09	4.1	1.15	GR29 GRF29	4P	11	100	123.91	4.1	1.25			12	85	105.49	4.2	1.50			14	73	90.96	4.2	1.70			14	73	90.96	4.2	1.70			216	5.2	6.07	4.1	8.60	GRX69 GRXF69	4P	253	4.4	5.18	3.8	17			289	3.9	4.53	3.7	22			305	3.7	4.30	3.6	22			238	4.7	5.50	3.2	8.50	GRX59 GRXF59	4P	258	4.3	5.07	3.1	8.60			301	3.7	4.35	3.0	19			346	3.2	3.79	2.8	22			369	3.0	3.55	2.8	24			417	2.7	3.14	2.7	25			450	2.5	2.91	2.6	28			496	2.3	2.64	2.5	31			553	2.0	2.37	2.4	35			642	1.7	2.04	2.3	41			682	1.6	1.92	2.3	43			794	1.4	1.65	2.1	49																																																																																																																																																																																																																																																																																																																																			
8.1	131	105.49	4.0	0.95					9.3	113	90.96	4.1	1.10			10	105	84.78	4.1	1.20			11	92	74.11	4.2	1.40			9.7	109	135.09	4.1	1.15	GR29 GRF29	4P	11	100	123.91	4.1	1.25	12	85			105.49	4.2	1.50	14	73			90.96	4.2	1.70	14	73			90.96	4.2	1.70	216	5.2			6.07	4.1	8.60	GRX69 GRXF69	4P	253	4.4	5.18	3.8	17	289	3.9			4.53	3.7	22	305	3.7			4.30	3.6	22	238	4.7			5.50	3.2	8.50	GRX59 GRXF59	4P	258	4.3	5.07	3.1	8.60	301	3.7			4.35	3.0	19	346	3.2			3.79	2.8	22	369	3.0			3.55	2.8	24	417	2.7			3.14	2.7	25	450	2.5			2.91	2.6	28	496	2.3			2.64	2.5	31	553	2.0			2.37	2.4	35	642	1.7			2.04	2.3	41	682	1.6			1.92	2.3	43	794	1.4			1.65	2.1	49																																																																																																																																																																																																																																																																																																																																												
9.3	113	90.96	4.1	1.10	10	105			84.78	4.1	1.20	11	92			74.11	4.2	1.40	9.7	109			135.09	4.1	1.15	GR29 GRF29	4P	11	100	123.91	4.1	1.25	12	85			105.49	4.2	1.50	14	73	90.96	4.2			1.70	14	73	90.96	4.2			1.70	216	5.2	6.07	4.1			8.60	GRX69 GRXF69	4P	253	4.4	5.18	3.8	17	289	3.9			4.53	3.7	22	305	3.7	4.30	3.6			22	238	4.7	5.50	3.2			8.50	GRX59 GRXF59	4P	258	4.3	5.07	3.1	8.60	301	3.7			4.35	3.0	19	346	3.2	3.79	2.8			22	369	3.0	3.55	2.8			24	417	2.7	3.14	2.7			25	450	2.5	2.91	2.6			28	496	2.3	2.64	2.5			31	553	2.0	2.37	2.4			35	642	1.7	2.04	2.3			41	682	1.6	1.92	2.3			43	794	1.4	1.65	2.1			49																																																																																																																																																																																																																																																																																																																																																					
10	105	84.78	4.1	1.20	11	92			74.11	4.2	1.40	9.7	109			135.09	4.1	1.15	GR29 GRF29	4P	11	100	123.91	4.1	1.25			12	85	105.49	4.2	1.50	14	73			90.96	4.2	1.70	14	73	90.96	4.2			1.70	216	5.2	6.07	4.1			8.60	GRX69 GRXF69	4P	253	4.4	5.18	3.8	17			289	3.9	4.53	3.7	22	305	3.7			4.30	3.6	22	238	4.7	5.50	3.2			8.50	GRX59 GRXF59	4P	258	4.3	5.07	3.1	8.60			301	3.7	4.35	3.0	19	346	3.2			3.79	2.8	22	369	3.0	3.55	2.8			24	417	2.7	3.14	2.7			25	450	2.5	2.91	2.6			28	496	2.3	2.64	2.5			31	553	2.0	2.37	2.4			35	642	1.7	2.04	2.3			41	682	1.6	1.92	2.3			43	794	1.4	1.65	2.1			49																																																																																																																																																																																																																																																																																																																																																												
11	92	74.11	4.2	1.40	9.7	109			135.09	4.1	1.15	GR29 GRF29	4P	11	100	123.91	4.1	1.25			12	85	105.49	4.2	1.50			14	73	90.96	4.2	1.70	14	73			90.96	4.2	1.70	216	5.2	6.07	4.1			8.60	GRX69 GRXF69	4P	253	4.4	5.18	3.8	17			289	3.9	4.53	3.7	22			305	3.7	4.30	3.6	22	238	4.7			5.50	3.2	8.50	GRX59 GRXF59	4P	258	4.3	5.07	3.1	8.60			301	3.7	4.35	3.0	19			346	3.2	3.79	2.8	22	369	3.0			3.55	2.8	24	417	2.7	3.14	2.7			25	450	2.5	2.91	2.6			28	496	2.3	2.64	2.5			31	553	2.0	2.37	2.4			35	642	1.7	2.04	2.3			41	682	1.6	1.92	2.3			43	794	1.4	1.65	2.1			49																																																																																																																																																																																																																																																																																																																																																																			
9.7	109	135.09	4.1	1.15	GR29 GRF29	4P	11	100	123.91	4.1	1.25			12	85	105.49	4.2	1.50			14	73	90.96	4.2	1.70			14	73	90.96	4.2	1.70	216	5.2			6.07	4.1	8.60	GRX69 GRXF69	4P	253	4.4	5.18	3.8	17			289	3.9	4.53	3.7	22			305	3.7	4.30	3.6	22			238	4.7	5.50	3.2	8.50	GRX59 GRXF59	4P	258	4.3	5.07	3.1	8.60			301	3.7	4.35	3.0	19			346	3.2	3.79	2.8	22			369	3.0	3.55	2.8	24	417	2.7			3.14	2.7	25	450	2.5	2.91	2.6			28	496	2.3	2.64	2.5			31	553	2.0	2.37	2.4			35	642	1.7	2.04	2.3			41	682	1.6	1.92	2.3			43	794	1.4	1.65	2.1			49																																																																																																																																																																																																																																																																																																																																																																										
11	100	123.91	4.1	1.25			12	85	105.49	4.2	1.50			14	73	90.96	4.2	1.70			14	73	90.96	4.2	1.70			216	5.2	6.07	4.1	8.60	GRX69 GRXF69	4P	253	4.4	5.18	3.8	17			289	3.9	4.53	3.7	22			305	3.7	4.30	3.6	22			238	4.7	5.50	3.2	8.50	GRX59 GRXF59	4P	258	4.3	5.07	3.1	8.60			301	3.7	4.35	3.0	19			346	3.2	3.79	2.8	22			369	3.0	3.55	2.8	24			417	2.7	3.14	2.7	25	450	2.5			2.91	2.6	28	496	2.3	2.64	2.5			31	553	2.0	2.37	2.4			35	642	1.7	2.04	2.3			41	682	1.6	1.92	2.3			43	794	1.4	1.65	2.1			49																																																																																																																																																																																																																																																																																																																																																																																	
12	85	105.49	4.2	1.50			14	73	90.96	4.2	1.70			14	73	90.96	4.2	1.70			216	5.2	6.07	4.1	8.60	GRX69 GRXF69	4P	253	4.4	5.18	3.8	17			289	3.9	4.53	3.7	22			305	3.7	4.30	3.6	22			238	4.7	5.50	3.2	8.50	GRX59 GRXF59	4P	258	4.3	5.07	3.1	8.60			301	3.7	4.35	3.0	19			346	3.2	3.79	2.8	22			369	3.0	3.55	2.8	24			417	2.7	3.14	2.7	25			450	2.5	2.91	2.6	28	496	2.3			2.64	2.5	31	553	2.0	2.37	2.4			35	642	1.7	2.04	2.3			41	682	1.6	1.92	2.3			43	794	1.4	1.65	2.1			49																																																																																																																																																																																																																																																																																																																																																																																								
14	73	90.96	4.2	1.70			14	73	90.96	4.2	1.70			216	5.2	6.07	4.1	8.60	GRX69 GRXF69	4P	253	4.4	5.18	3.8	17			289	3.9	4.53	3.7	22			305	3.7	4.30	3.6	22			238	4.7	5.50	3.2	8.50	GRX59 GRXF59	4P	258	4.3	5.07	3.1	8.60			301	3.7	4.35	3.0	19			346	3.2	3.79	2.8	22			369	3.0	3.55	2.8	24			417	2.7	3.14	2.7	25			450	2.5	2.91	2.6	28			496	2.3	2.64	2.5	31	553	2.0			2.37	2.4	35	642	1.7	2.04	2.3			41	682	1.6	1.92	2.3			43	794	1.4	1.65	2.1			49																																																																																																																																																																																																																																																																																																																																																																																															
14	73	90.96	4.2	1.70			216	5.2	6.07	4.1	8.60	GRX69 GRXF69	4P	253	4.4	5.18	3.8	17			289	3.9	4.53	3.7	22			305	3.7	4.30	3.6	22			238	4.7	5.50	3.2	8.50	GRX59 GRXF59	4P	258	4.3	5.07	3.1	8.60			301	3.7	4.35	3.0	19			346	3.2	3.79	2.8	22			369	3.0	3.55	2.8	24			417	2.7	3.14	2.7	25			450	2.5	2.91	2.6	28			496	2.3	2.64	2.5	31			553	2.0	2.37	2.4	35	642	1.7			2.04	2.3	41	682	1.6	1.92	2.3			43	794	1.4	1.65	2.1			49																																																																																																																																																																																																																																																																																																																																																																																																						
216	5.2	6.07	4.1	8.60	GRX69 GRXF69	4P	253	4.4	5.18	3.8	17			289	3.9	4.53	3.7	22			305	3.7	4.30	3.6	22			238	4.7	5.50	3.2	8.50	GRX59 GRXF59	4P	258	4.3	5.07	3.1	8.60			301	3.7	4.35	3.0	19			346	3.2	3.79	2.8	22			369	3.0	3.55	2.8	24			417	2.7	3.14	2.7	25			450	2.5	2.91	2.6	28			496	2.3	2.64	2.5	31			553	2.0	2.37	2.4	35			642	1.7	2.04	2.3	41	682	1.6			1.92	2.3	43	794	1.4	1.65	2.1			49																																																																																																																																																																																																																																																																																																																																																																																																													
253	4.4	5.18	3.8	17			289	3.9	4.53	3.7	22			305	3.7	4.30	3.6	22			238	4.7	5.50	3.2	8.50	GRX59 GRXF59	4P	258	4.3	5.07	3.1	8.60			301	3.7	4.35	3.0	19			346	3.2	3.79	2.8	22			369	3.0	3.55	2.8	24			417	2.7	3.14	2.7	25			450	2.5	2.91	2.6	28			496	2.3	2.64	2.5	31			553	2.0	2.37	2.4	35			642	1.7	2.04	2.3	41			682	1.6	1.92	2.3	43	794	1.4			1.65	2.1	49																																																																																																																																																																																																																																																																																																																																																																																																																				
289	3.9	4.53	3.7	22			305	3.7	4.30	3.6	22			238	4.7	5.50	3.2	8.50	GRX59 GRXF59	4P	258	4.3	5.07	3.1	8.60			301	3.7	4.35	3.0	19			346	3.2	3.79	2.8	22			369	3.0	3.55	2.8	24			417	2.7	3.14	2.7	25			450	2.5	2.91	2.6	28			496	2.3	2.64	2.5	31			553	2.0	2.37	2.4	35			642	1.7	2.04	2.3	41			682	1.6	1.92	2.3	43			794	1.4	1.65	2.1	49																																																																																																																																																																																																																																																																																																																																																																																																																											
305	3.7	4.30	3.6	22			238	4.7	5.50	3.2	8.50	GRX59 GRXF59	4P	258	4.3	5.07	3.1	8.60			301	3.7	4.35	3.0	19			346	3.2	3.79	2.8	22			369	3.0	3.55	2.8	24			417	2.7	3.14	2.7	25			450	2.5	2.91	2.6	28			496	2.3	2.64	2.5	31			553	2.0	2.37	2.4	35			642	1.7	2.04	2.3	41			682	1.6	1.92	2.3	43			794	1.4	1.65	2.1	49																																																																																																																																																																																																																																																																																																																																																																																																																																		
238	4.7	5.50	3.2	8.50	GRX59 GRXF59	4P	258	4.3	5.07	3.1	8.60			301	3.7	4.35	3.0	19			346	3.2	3.79	2.8	22			369	3.0	3.55	2.8	24			417	2.7	3.14	2.7	25			450	2.5	2.91	2.6	28			496	2.3	2.64	2.5	31			553	2.0	2.37	2.4	35			642	1.7	2.04	2.3	41			682	1.6	1.92	2.3	43			794	1.4	1.65	2.1	49																																																																																																																																																																																																																																																																																																																																																																																																																																									
258	4.3	5.07	3.1	8.60			301	3.7	4.35	3.0	19			346	3.2	3.79	2.8	22			369	3.0	3.55	2.8	24			417	2.7	3.14	2.7	25			450	2.5	2.91	2.6	28			496	2.3	2.64	2.5	31			553	2.0	2.37	2.4	35			642	1.7	2.04	2.3	41			682	1.6	1.92	2.3	43			794	1.4	1.65	2.1	49																																																																																																																																																																																																																																																																																																																																																																																																																																																
301	3.7	4.35	3.0	19			346	3.2	3.79	2.8	22			369	3.0	3.55	2.8	24			417	2.7	3.14	2.7	25			450	2.5	2.91	2.6	28			496	2.3	2.64	2.5	31			553	2.0	2.37	2.4	35			642	1.7	2.04	2.3	41			682	1.6	1.92	2.3	43			794	1.4	1.65	2.1	49																																																																																																																																																																																																																																																																																																																																																																																																																																																							
346	3.2	3.79	2.8	22			369	3.0	3.55	2.8	24			417	2.7	3.14	2.7	25			450	2.5	2.91	2.6	28			496	2.3	2.64	2.5	31			553	2.0	2.37	2.4	35			642	1.7	2.04	2.3	41			682	1.6	1.92	2.3	43			794	1.4	1.65	2.1	49																																																																																																																																																																																																																																																																																																																																																																																																																																																														
369	3.0	3.55	2.8	24			417	2.7	3.14	2.7	25			450	2.5	2.91	2.6	28			496	2.3	2.64	2.5	31			553	2.0	2.37	2.4	35			642	1.7	2.04	2.3	41			682	1.6	1.92	2.3	43			794	1.4	1.65	2.1	49																																																																																																																																																																																																																																																																																																																																																																																																																																																																					
417	2.7	3.14	2.7	25			450	2.5	2.91	2.6	28			496	2.3	2.64	2.5	31			553	2.0	2.37	2.4	35			642	1.7	2.04	2.3	41			682	1.6	1.92	2.3	43			794	1.4	1.65	2.1	49																																																																																																																																																																																																																																																																																																																																																																																																																																																																												
450	2.5	2.91	2.6	28			496	2.3	2.64	2.5	31			553	2.0	2.37	2.4	35			642	1.7	2.04	2.3	41			682	1.6	1.92	2.3	43			794	1.4	1.65	2.1	49																																																																																																																																																																																																																																																																																																																																																																																																																																																																																			
496	2.3	2.64	2.5	31			553	2.0	2.37	2.4	35			642	1.7	2.04	2.3	41			682	1.6	1.92	2.3	43			794	1.4	1.65	2.1	49																																																																																																																																																																																																																																																																																																																																																																																																																																																																																										
553	2.0	2.37	2.4	35			642	1.7	2.04	2.3	41			682	1.6	1.92	2.3	43			794	1.4	1.65	2.1	49																																																																																																																																																																																																																																																																																																																																																																																																																																																																																																	
642	1.7	2.04	2.3	41			682	1.6	1.92	2.3	43			794	1.4	1.65	2.1	49																																																																																																																																																																																																																																																																																																																																																																																																																																																																																																								
682	1.6	1.92	2.3	43			794	1.4	1.65	2.1	49																																																																																																																																																																																																																																																																																																																																																																																																																																																																																																															
794	1.4	1.65	2.1	49																																																																																																																																																																																																																																																																																																																																																																																																																																																																																																																						

*0.12kW (6P) 电机需特制。*0.12kW motor of 6 poles needs to be specially requested and then manufactured.

选型参数表

(恒功率) 0.18kW

Selection Table

(Constant Power) 0.18kW

n_a [r/min]	M_a [Nm]	i	F_{Ra} [kN]	f_B	机型号 Type size	极数 Pole	n_a [r/min]	M_a [Nm]	i	F_{Ra} [kN]	f_B	机型号 Type size	极数 Pole	
0.18kW							0.18kW							
0.09	16669	14075	42	0.85	GR149R79 GRF149R79	4P	1.1	1360	1148	18	1.20	GR89R59 GRF89R59	4P	
0.11	14619	12344	60	0.95			1.5	1053	889	19	1.55			
0.12	13196	11143	62	1.05			1.7	924	780	19	1.80			
0.13	11538	9743	64	1.20			1.5	1016	858	7.7	0.85			
0.16	9999	8443	66	1.40	GR149R79 GRF149R79	4P	1.7	896	757	9.3	1.00	GR79R39 GRF79R39	4P	
0.18	8653	7307	67	1.60			2.0	795	671	10	1.10			
0.20	7635	6447	68	1.80			2.3	676	571	11	1.30			
0.24	6594	5568	69	2.10			1.6	972	821	9.0	0.90			
0.27	5834	4926	69	2.35			1.8	866	731	10	1.00			
0.30	5122	4325	70	2.70			2.0	765	646	10	1.15			
0.35	4446	3754	70	3.15	GR79R39 GRF79R39	4P	2.3	663	560	11	1.30			
0.40	3910	3302	70	3.60			2.7	578	488	11	1.50			
0.15	10403	8784	47	0.80			3.0	516	436	12	1.70			
0.18	8857	7479	52	0.95			3.5	442	373	12	2.00			
0.20	7768	6559	53	1.10			4.0	387	327	12	2.25			
0.22	6909	5834	54	1.20			4.5	342	289	12	2.55			
0.26	6059	5116	55	1.40	GR69R39 GRF69R39	4P	2.3	676	571	6.9	0.95			
0.29	5287	4464	56	1.60			2.7	576	486	7.9	1.10			
0.33	4652	3928	57	1.80	GR69R39 GRF69R39	4P	2.3	680	574	6.8	0.95			
0.28	5577	4709	55	1.50			2.6	586	495	7.8	1.10			
0.33	4758	4018	56	1.75			3.0	519	438	8.4	1.25			
0.37	4162	3514	57	2.00			3.4	459	388	8.8	1.40			
0.39	3953	3338	57	2.10			3.8	407	344	9.0	1.55			
0.45	3469	2929	57	2.40			4.5	348	294	9.3	1.85			
0.30	5252	4435	27	0.85	GR59R39 GRF59R39	4P	5.0	309	261	9.5	2.05			
0.34	4614	3896	30	1.00			2.9	538	454	6.6	0.90			
0.43	3599	3039	33	1.25	3.2	486	410	6.8	1.00					
0.33	4640	3918	28	1.00	GR59R39 GRF59R39	4P	2.8	558	471	5.7	0.85			
0.39	3959	3343	31	1.15			3.7	423	357	7.0	1.15			
0.43	3593	3034	32	1.25			4.1	378	319	7.1	1.25			
0.49	3142	2653	33	1.45			4.8	323	273	7.3	1.45			
0.57	2700	2280	34	1.70			5.4	285	241	7.4	1.65			
0.63	2448	2067	35	1.85			6.1	255	215	7.4	1.85			
0.66	2353	1987	35	1.95	GR59R39 GRF59R39	4P	3.6	425	359	6.9	1.10			
0.72	2164	1827	35	2.10			4.0	384	324	7.1	1.25			
0.82	1894	1599	35	2.40			4.5	343	290	7.2	1.40			
0.94	1658	1400	35	2.75			5.0	310	262	7.3	1.55			
1.1	1452	1226	36	3.15			5.3	291	246	7.3	1.65			
0.49	3160	2668	20	1.00			6.0	261	220	7.4	1.85			
0.58	2659	2245	23	1.20	7.0	223	188	7.4	2.15					
0.65	2387	2016	24	1.35	8.2	188	159	7.5	2.55					
0.76	2052	1733	25	1.55	GR49R39 GRF49R39	4P	4.4	356	301	4.5	0.90			
0.81	1922	1623	26	1.65			5.1	302	255	5.2	1.05			
0.91	1698	1434	26	1.85	5.7	270	228	5.4	1.20					
1.1	1429	1207	27	2.20	6.7	231	195	5.5	1.40					
1.2	1284	1084	27	2.45	6.6	236	199	4.4	0.90					
1.4	1106	934	27	2.85	7.6	204	172	4.8	1.05					
1.5	1040	878	27	3.05	8.7	178	150	5.1	1.20					
1.7	894	755	27	3.55	5.8	268	226	2.0	0.80					
0.48	3224	2722	19	1.00	GR39R19 GRF39R19	4P	6.5	239	202	4.3	0.90			
0.57	2737	2311	23	1.15			7.3	212	179	4.7	1.00			
0.63	2461	2078	24	1.30	8.4	185	156	5.0	1.15					
0.75	2061	1740	10	0.80	GR29R19 GRF29R19	4P	9.3	167	141	3.9	0.85			
0.88	1770	1495	15	0.95			11	147	124	4.0	0.95			
0.94	1659	1401	16	1.00			12	130	110	4.1	1.05			
1.1	1465	1237	17	1.10			14	111	94	4.1	1.25			
1.1	1362	1150	18	1.20			9.7	160	135	3.9	0.85			
1.3	1234	1042	18	1.35			11	140	118	4.0	1.00			
1.4	1107	935	19	1.50	13	123	104	4.1	1.10					
1.6	955	806	19	1.70	15	107	90	4.1	1.30					
0.75	2065	1744	11	0.80	GR89R59 GRF89R59	4P								
0.86	1812	1530	13	0.90										
1.0	1549	1308	17	1.05										

选型参数表
(恒功率) 0.18kW
Selection Table
(Constant Power) 0.18kW

n_a [r/min]	M_a [Nm]	i	F_{Ra} [kN]	f_B	机型号 Type size	极数 Pole	n_a [r/min]	M_a [Nm]	i	F_{Ra} [kN]	f_B	机型号 Type size	极数 Pole
0.18kW							0.18kW						
4.4	375	195.24	12	2.10	GR79 GRF79	6P	11	150	123.91	3.9	0.80	GR29 GRF29	4P
5.1	320	166.59	12	2.50			12	127	105.49	4.0	0.95		
5.8	280	145.67	12	2.80			14	110	90.96	4.1	1.10		
6.1	266	138.39	12	3.00			15	102	84.78	4.1	1.20		
7.0	233	121.42	12	3.40			18	89	74.11	4.2	1.35		
6.7	243	195.24	12	3.20	19	84	69.47	4.2	1.45				
7.9	208	166.59	12	3.80	21	74	61.3	4.1	1.65				
9.0	182	145.67	12	4.30	23	67	55.87	4.0	1.80				
9.5	173	138.39	12	4.60	27	58	48.17	3.8	2.10				
4.3	384	199.81	8.9	1.50	29	54	44.9	3.8	2.20				
4.6	354	184.07	9.1	1.65	33	47	39.25	3.6	2.50				
5.4	304	158.14	9.3	1.90	36	44	36.79	3.6	2.70				
6.2	264	137.67	10	2.20	40	39	32.47	3.4	3.10				
6.6	248	128.97	10	2.30	46	35	28.78	3.3	3.50				
7.5	219	113.94	10	2.70	54	30	24.47	3.1	4.10				
8.0	203	105.83	10	2.90	46	34	28.37	3.3	3.50				
8.9	184	95.91	10	3.20	68	23	26.09	3.2	3.80				
9.9	165	86.11	10	3.50	59	27	22.32	3.1	4.50				
11	142	74.17	10	4.10	68	23	19.35	2.9	5.20				
12	134	69.75	10	4.30	72	22	18.08	2.9	5.50				
6.6	249	199.81	10	2.30	84	19	15.63	2.7	6.40				
7.1	229	184.07	10	2.50	99	16	13.28	2.6	7.50				
8.3	197	158.14	10	2.90	16	99	81.64	0.04	0.80				
9.5	172	137.67	10	3.30	19	85	70.39	1.3	0.95				
10	161	128.97	10	3.60	20	79	65.61	1.7	1.00				
11	142	113.94	10	4.00	23	69	57.35	2.2	1.15				
12	132	105.83	10	4.30	30	53	53.76	2.4	1.20				
4.5	359	186.89	7.0	1.20	28	57	47.44	2.3	1.40				
4.9	331	172.17	7.1	1.30	30	53	44.18	2.3	1.50				
5.7	284	147.92	7.3	1.55	34	47	38.61	2.2	1.70				
6.6	247	128.77	7.4	1.75	36	44	36.2	2.2	1.80				
7.0	232	120.63	7.4	1.90	41	39	31.94	2.1	2.00				
7.0	233	186.89	7.4	1.85	46	34	28.32	2.1	2.30				
7.6	215	172.17	7.4	2.00	54	29	24.07	2.0	2.70				
8.9	184	147.92	7.5	2.30	34	47	25.23	2.2	1.70				
10	161	128.77	7.5	2.70	37	43	23.15	2.2	1.85				
11	150	120.63	7.5	2.90	43	37	19.71	2.1	2.20				
12	133	106.58	7.5	3.20	52	30	25.23	2.0	2.60				
13	123	98.99	7.6	3.50	57	28	23.15	2.0	2.80				
15	112	89.71	7.6	3.80	66	24	19.71	1.9	3.30				
7.4	220	176.88	5.5	1.30	77	21	16.99	1.8	3.80				
8.0	203	162.94	5.5	1.40	83	19	15.84	1.8	4.10				
9.4	175	139.99	5.6	1.65	95	17	13.84	1.7	4.70				
11	152	121.87	5.7	1.90	101	16	12.98	1.7	5.00				
11	142	114.17	5.7	2.00	114	14	11.45	1.6	5.40				
13	126	100.86	5.7	2.30	129	12	10.15	1.6	5.80				
14	117	93.68	5.8	2.50	186	8	8.63	1.5	6.40				
15	106	84.90	5.8	2.70	174	9.1	7.55	1.4	5.70				
17	95	76.23	5.8	3.00	186	8.5	7.04	1.4	6.00				
6.9	238	123.66	2.9	0.80	213	7.4	6.15	1.3	6.80				
8.1	202	105.28	4.6	0.95	227	7.0	5.76	1.3	7.10				
9.4	174	90.77	4.9	1.10	257	6.1	5.09	1.3	7.70				
10	163	84.61	5.0	1.20	290	5.4	4.51	1.2	8.10				
10	163	134.82	5.0	1.15	342	4.6	3.83	1.1	9.00				
11	149	123.66	5.1	1.25	268	5.9	10.15	1.2	12				
12	127	105.28	5.3	1.45	315	5.0	8.63	1.2	13				
14	110	90.77	5.4	1.70	360	4.4	7.55	1.1	12				
15	102	84.61	5.5	1.80	386	4.1	7.04	1.1	13				
18	89	73.96	5.5	2.10	442	3.6	6.15	1.1	14				
19	84	69.33	5.6	2.20	472	3.3	5.76	1.0	15				
21	74	61.18	5.6	2.50	534	3.0	5.09	1.0	16				
23	67	55.76	5.6	2.80	603	2.6	4.51	1.0	17				
27	58	48.08	5.7	3.20	710	2.2	3.83	0.9	19				

选型参数表

(恒功率) 0.18kW-0.25kW

Selection Table

(Constant Power) 0.18kW-0.25kW

n_a [r/min]	M_a [Nm]	i	F_{Ra} [kN]	f_B	机型号 Type size	极数 Pole	n_a [r/min]	M_a [Nm]	i	F_{Ra} [kN]	f_B	机型号 Type size	极数 Pole																																																																																																																																																																																																																																																																																																																																																																																																																																												
0.18kW							0.25kW																																																																																																																																																																																																																																																																																																																																																																																																																																																		
140	12	6.07	4.7	3.60	GRX69 GRXF69	6P	0.95	2268	1400	35	2.00	GR109R79 GRF109R79	4P																																																																																																																																																																																																																																																																																																																																																																																																																																												
164	10	5.18	4.5	7.30			188	8.9	4.53	4.3	9.20			198	8.5	4.30	4.2	9.40	216	7.5	6.07	4.1	5.40	GRX69 GRXF69	4P	0.66	3266	2016	12	0.95	GR99R59 GRF99R59	4P	253	6.4	5.18	3.9	11	289	5.6	4.53	3.7	14	305	5.3	4.30	3.7	14	347	4.7	3.77	3.5	18	409	4.0	3.20	3.3	24	453	3.6	2.89	3.2	28	516	3.1	2.54	3.1	36	546	3.0	2.40	3.0	40	642	2.5	2.04	2.9	50	155	11	5.50	3.7	3.60	GRX59 GRXF59	6P	0.73	2953	1823	21	1.05	GR99R59 GRF99R59	4P	168	10	5.07	3.6	3.60	195	8.6	4.35	3.4	7.90	224	7.5	3.79	3.3	9.20	238	6.8	5.50	3.2	5.40	258	6.3	5.07	3.1	5.40	301	5.4	4.35	3.0	12	346	4.7	3.79	2.9	14	369	4.4	3.55	2.8	15	417	3.9	3.14	2.7	16	450	3.6	2.91	2.6	18	496	3.3	2.64	2.5	20	553	2.9	2.37	2.5	22	642	2.5	2.04	2.3	26	682	2.4	1.92	2.3	28	794	2.0	1.65	2.2	31	1.2	1863	1150	13	0.85	GR89R59 GRF89R59	4P	1.3	1688	1042	15	0.95	1.4	1515	935	17	1.05	1.7	1306	806	18	1.25	1.2	1860	1148	15	0.85	1.5	1440	889	17	1.10	1.7	1264	780	18	1.30	1.9	1115	688	19	1.45	2.2	974	601	19	1.65	2.5	854	527	19	1.90	2.9	742	458	19	2.20	4.9	436	269	19	3.70	2.3	925	571	8.7	0.90	GR79R39 GRF79R39	4P	2.4	907	560	8.6	0.95	GR79R39 GRF79R39	4P	2.7	791	488	10	1.05	3.1	706	436	10	1.20	3.6	604	373	11	1.40	4.1	530	327	11	1.60	4.6	468	289	12	1.80	5.1	421	260	12	2.00	5.9	363	224	12	2.35	3.4	629	388	7.1	1.00	GR69R39 GRF69R39	4P	3.9	557	344	7.7	1.10	4.5	476	294	8.5	1.30	5.1	423	261	8.8	1.45	5.7	379	234	9.0	1.65	6.7	324	200	9.3	1.90	7.6	285	176	10	2.20	8.4	256	158	10	2.45	3.5	622	384	6.9	1.00	GR69R39 GRF69R39	4P	3.7	582	359	7.3	1.05	4.3	502	310	8.1	1.25	5.0	428	264	8.7	1.45	5.7	381	235	9.0	1.65	6.6	326	201	9.3	1.90	7.3	293	181	9.4	2.10	4.2	517	319	6.3	0.90	GR59R39 GRF59R39	4P	4.9	442	273	6.8	1.05	5.5	390	241	7.0	1.20	6.2	348	215	7.2	1.35	7.1	303	187	7.3	1.55	8.1	266	164	7.4	1.75	9.4	230	142	7.4	2.05	4.1	525	324	5.3	0.90	GR59R39 GRF59R39	4P	4.6	470	290	6.7	1.00	5.1	424	262	6.8	1.10																															
188	8.9	4.53	4.3	9.20			198	8.5	4.30	4.2	9.40			216	7.5	6.07	4.1	5.40	GRX69 GRXF69	4P	0.66	3266	2016			12	0.95	GR99R59 GRF99R59	4P	253			6.4	5.18	3.9	11	289	5.6	4.53	3.7	14	305	5.3	4.30	3.7	14	347	4.7	3.77	3.5	18	409	4.0	3.20	3.3	24	453	3.6	2.89	3.2	28	516	3.1	2.54	3.1	36	546	3.0	2.40	3.0	40	642	2.5	2.04	2.9	50	155	11	5.50	3.7	3.60	GRX59 GRXF59			6P	0.73	2953	1823	21			1.05	GR99R59 GRF99R59	4P	168	10	5.07	3.6	3.60	195	8.6	4.35	3.4	7.90	224	7.5	3.79	3.3	9.20	238	6.8	5.50	3.2	5.40	258	6.3	5.07	3.1	5.40	301	5.4	4.35	3.0	12	346	4.7	3.79	2.9	14	369	4.4	3.55	2.8	15	417	3.9	3.14	2.7	16	450	3.6	2.91	2.6	18	496	3.3	2.64	2.5	20	553	2.9	2.37	2.5	22	642	2.5	2.04	2.3	26	682	2.4	1.92	2.3	28	794	2.0	1.65	2.2	31	1.2	1863			1150	13	0.85	GR89R59 GRF89R59	4P	1.3	1688	1042	15	0.95	1.4	1515	935	17	1.05	1.7	1306	806	18	1.25	1.2	1860	1148	15	0.85	1.5	1440	889	17	1.10	1.7	1264	780	18	1.30	1.9	1115	688	19	1.45	2.2	974	601	19	1.65	2.5	854	527	19	1.90	2.9	742	458	19	2.20	4.9	436	269	19	3.70	2.3	925	571	8.7	0.90	GR79R39 GRF79R39	4P			2.4	907	560	8.6	0.95	GR79R39 GRF79R39	4P	2.7	791	488	10	1.05	3.1	706	436	10	1.20	3.6	604	373	11	1.40	4.1	530	327	11	1.60	4.6	468	289	12	1.80	5.1	421	260	12	2.00	5.9	363	224			12	2.35	3.4	629	388	7.1	1.00	GR69R39 GRF69R39	4P	3.9	557	344	7.7	1.10	4.5	476	294	8.5	1.30	5.1	423	261	8.8	1.45	5.7	379	234	9.0	1.65	6.7	324	200	9.3	1.90	7.6	285	176	10	2.20	8.4			256	158	10	2.45	3.5	622	384	6.9	1.00	GR69R39 GRF69R39	4P	3.7	582	359	7.3	1.05	4.3	502	310	8.1	1.25	5.0	428	264	8.7	1.45	5.7	381	235	9.0	1.65	6.6	326	201	9.3			1.90	7.3	293	181	9.4	2.10	4.2	517	319	6.3	0.90	GR59R39 GRF59R39	4P	4.9	442	273	6.8	1.05	5.5	390	241	7.0	1.20	6.2	348	215	7.2	1.35	7.1	303	187	7.3	1.55	8.1	266			164	7.4	1.75	9.4	230	142	7.4	2.05	4.1	525	324	5.3	0.90	GR59R39 GRF59R39	4P	4.6	470	290	6.7	1.00	5.1	424	262	6.8	1.10																
198	8.5	4.30	4.2	9.40			216	7.5	6.07	4.1	5.40			GRX69 GRXF69	4P	0.66	3266	2016			12	0.95	GR99R59 GRF99R59			4P	253			6.4	5.18	3.9	11	289	5.6	4.53	3.7	14	305	5.3	4.30	3.7	14	347	4.7	3.77	3.5	18	409	4.0	3.20	3.3	24	453	3.6	2.89	3.2	28	516	3.1	2.54	3.1	36	546	3.0	2.40	3.0	40	642	2.5	2.04	2.9	50	155	11	5.50	3.7	3.60	GRX59 GRXF59	6P	0.73					2953	1823	21	1.05			GR99R59 GRF99R59			4P	168	10	5.07	3.6	3.60	195	8.6	4.35	3.4	7.90	224	7.5	3.79	3.3	9.20	238	6.8	5.50	3.2	5.40	258	6.3	5.07	3.1	5.40	301	5.4	4.35	3.0	12	346	4.7	3.79	2.9	14	369	4.4	3.55	2.8	15	417	3.9	3.14	2.7	16	450	3.6	2.91	2.6	18	496	3.3	2.64	2.5	20	553	2.9	2.37	2.5	22	642	2.5	2.04	2.3	26	682	2.4	1.92	2.3	28	794	2.0	1.65	2.2	31	1.2			1863	1150	13			0.85	GR89R59 GRF89R59	4P	1.3	1688	1042	15	0.95	1.4	1515	935	17	1.05	1.7	1306	806	18	1.25	1.2	1860	1148	15	0.85	1.5	1440	889	17	1.10	1.7	1264	780	18	1.30	1.9	1115	688	19	1.45	2.2	974	601	19	1.65	2.5	854	527	19	1.90	2.9	742	458	19	2.20	4.9	436	269	19	3.70	2.3	925	571	8.7			0.90	GR79R39 GRF79R39	4P	2.4	907			560	8.6	0.95	GR79R39 GRF79R39	4P	2.7	791	488	10	1.05	3.1	706	436	10	1.20	3.6	604	373	11	1.40	4.1	530	327	11	1.60	4.6	468	289	12	1.80	5.1	421	260			12	2.00	5.9	363	224	12	2.35			3.4	629	388	7.1	1.00	GR69R39 GRF69R39	4P	3.9	557	344	7.7	1.10	4.5	476	294	8.5	1.30	5.1	423	261	8.8	1.45	5.7	379	234	9.0	1.65	6.7	324	200	9.3			1.90	7.6	285	176	10	2.20	8.4	256	158			10	2.45	3.5	622	384	6.9	1.00	GR69R39 GRF69R39	4P	3.7	582	359	7.3	1.05	4.3	502	310	8.1	1.25	5.0	428	264	8.7	1.45			5.7	381	235	9.0	1.65	6.6	326	201	9.3	1.90	7.3			293	181	9.4	2.10	4.2	517	319	6.3	0.90	GR59R39 GRF59R39	4P	4.9	442	273	6.8	1.05	5.5	390	241	7.0	1.20	6.2			348	215	7.2	1.35	7.1	303	187	7.3	1.55	8.1	266	164	7.4			1.75	9.4	230	142	7.4	2.05	4.1	525	324	5.3	0.90	GR59R39 GRF59R39	4P	4.6	470	290	6.7	1.00	5.1	424	262	6.8	1.10			
216	7.5	6.07	4.1	5.40	GRX69 GRXF69	4P	0.66	3266	2016	12	0.95	GR99R59 GRF99R59	4P																																																																																																																																																																																																																																																																																																																																																																																																																																												
253	6.4	5.18	3.9	11			289	5.6	4.53	3.7	14					305	5.3	4.30			3.7	14	347			4.7	3.77	3.5	18	409	4.0	3.20	3.3	24	453	3.6	2.89	3.2	28	516	3.1	2.54	3.1	36	546	3.0	2.40	3.0	40	642	2.5	2.04	2.9	50	155	11	5.50	3.7	3.60	GRX59 GRXF59	6P	0.73	2953	1823	21	1.05	GR99R59 GRF99R59	4P	168	10	5.07	3.6	3.60	195	8.6	4.35	3.4	7.90			224		7.5	3.79		3.3	9.20	238	6.8							5.50	3.2	5.40	258	6.3	5.07	3.1	5.40	301	5.4	4.35	3.0	12	346	4.7	3.79	2.9	14	369	4.4	3.55	2.8	15	417	3.9	3.14	2.7	16	450	3.6	2.91	2.6	18	496	3.3	2.64	2.5	20	553	2.9	2.37	2.5	22	642	2.5	2.04	2.3	26	682	2.4	1.92	2.3	28	794	2.0	1.65	2.2	31	1.2	1863	1150	13	0.85	GR89R59 GRF89R59	4P	1.3	1688	1042	15	0.95	1.4	1515	935	17	1.05	1.7			1306	806	18			1.25			1.2	1860	1148	15	0.85	1.5	1440	889	17	1.10	1.7	1264	780	18	1.30	1.9	1115	688	19	1.45	2.2	974	601	19	1.65	2.5	854	527	19	1.90	2.9	742	458	19	2.20	4.9	436	269	19	3.70	2.3	925	571	8.7	0.90	GR79R39 GRF79R39	4P	2.4	907	560	8.6	0.95	GR79R39 GRF79R39	4P	2.7	791	488	10	1.05			3.1	706	436	10	1.20			3.6	604	373			11	1.40	4.1	530	327	11	1.60	4.6	468	289	12	1.80	5.1	421	260	12	2.00	5.9	363	224	12	2.35	3.4	629	388	7.1	1.00	GR69R39 GRF69R39			4P	3.9	557	344	7.7	1.10	4.5			476	294	8.5	1.30	5.1			423	261	8.8	1.45	5.7	379	234	9.0	1.65	6.7	324	200	9.3	1.90	7.6	285	176	10	2.20	8.4	256	158	10	2.45			3.5	622	384	6.9	1.00	GR69R39 GRF69R39	4P	3.7	582			359	7.3	1.05	4.3	502	310	8.1			1.25	5.0	428	264	8.7	1.45	5.7	381	235	9.0	1.65	6.6	326	201	9.3			1.90	7.3	293	181	9.4	2.10	4.2	517	319	6.3	0.90			GR59R39 GRF59R39	4P	4.9	442	273	6.8	1.05	5.5	390			241	7.0	1.20	6.2	348	215	7.2	1.35	7.1	303	187	7.3	1.55	8.1	266	164	7.4	1.75	9.4	230	142	7.4	2.05	4.1	525	324	5.3	0.90	GR59R39 GRF59R39	4P	4.6	470	290	6.7	1.00	5.1	424	262	6.8			1.10												
289	5.6	4.53	3.7	14			305	5.3	4.30	3.7	14	347	4.7			3.77	3.5	18			409	4.0	3.20			3.3	24	453	3.6	2.89	3.2	28	516	3.1	2.54	3.1	36	546	3.0	2.40	3.0	40	642	2.5	2.04	2.9	50	155	11	5.50	3.7	3.60	GRX59 GRXF59	6P	0.73	2953	1823	21	1.05			GR99R59 GRF99R59	4P	168	10	5.07			3.6	3.60	195	8.6	4.35	3.4	7.90	224	7.5	3.79			3.3	9.20	238	6.8	5.50	3.2	5.40	258	6.3							5.07	3.1	5.40	301	5.4	4.35	3.0	12	346	4.7	3.79	2.9	14	369	4.4	3.55	2.8	15	417	3.9	3.14	2.7	16	450	3.6	2.91	2.6	18	496	3.3	2.64	2.5	20	553	2.9	2.37	2.5	22	642	2.5	2.04	2.3	26	682	2.4	1.92	2.3	28	794	2.0	1.65	2.2	31	1.2	1863	1150	13	0.85	GR89R59 GRF89R59	4P	1.3	1688	1042			15	0.95	1.4	1515	935	17	1.05	1.7	1306	806	18			1.25	1.2	1860			1148			15	0.85	1.5	1440	889	17	1.10	1.7	1264	780	18	1.30	1.9	1115	688	19	1.45	2.2	974	601	19	1.65	2.5	854	527	19	1.90	2.9	742	458	19	2.20	4.9	436	269	19	3.70	2.3	925	571	8.7	0.90	GR79R39 GRF79R39	4P	2.4	907	560	8.6	0.95	GR79R39 GRF79R39	4P	2.7			791	488	10	1.05	3.1			706	436	10	1.20	3.6			604	373	11			1.40	4.1	530	327	11	1.60	4.6	468	289	12	1.80	5.1	421	260	12	2.00	5.9	363	224	12	2.35	3.4	629	388	7.1	1.00	GR69R39 GRF69R39					4P	3.9	557	344	7.7	1.10			4.5	476	294	8.5	1.30			5.1	423	261	8.8	1.45	5.7	379	234	9.0	1.65	6.7	324	200	9.3	1.90	7.6	285	176	10	2.20	8.4	256	158	10			2.45	3.5	622	384	6.9			1.00	GR69R39 GRF69R39			4P	3.7	582	359	7.3	1.05	4.3			502	310	8.1	1.25	5.0	428	264	8.7	1.45	5.7	381	235	9.0	1.65	6.6			326	201	9.3	1.90	7.3	293	181	9.4	2.10	4.2	517					319	6.3	0.90	GR59R39 GRF59R39	4P	4.9	442			273	6.8	1.05	5.5	390	241	7.0	1.20	6.2	348	215	7.2	1.35	7.1	303	187	7.3	1.55	8.1	266	164	7.4	1.75	9.4	230	142	7.4	2.05			4.1	525	324	5.3	0.90	GR59R39 GRF59R39	4P	4.6	470	290	6.7	1.00	5.1	424	262	6.8	1.10							
305	5.3	4.30	3.7	14			347	4.7	3.77	3.5	18	409	4.0			3.20	3.3	24			453	3.6	2.89			3.2	28	516	3.1	2.54	3.1	36	546	3.0	2.40	3.0	40	642	2.5	2.04	2.9	50	155	11	5.50	3.7	3.60	GRX59 GRXF59	6P	0.73	2953	1823			21	1.05	GR99R59 GRF99R59	4P	168					10	5.07	3.6			3.60	195	8.6	4.35	3.4	7.90	224	7.5	3.79	3.3	9.20	238	6.8	5.50	3.2	5.40	258	6.3	5.07	3.1	5.40							301	5.4	4.35	3.0	12	346	4.7	3.79	2.9	14	369	4.4	3.55	2.8	15	417	3.9	3.14	2.7	16	450	3.6	2.91	2.6	18	496	3.3	2.64	2.5	20	553	2.9	2.37	2.5	22	642	2.5	2.04	2.3	26	682	2.4	1.92	2.3	28	794	2.0	1.65	2.2	31	1.2	1863	1150	13	0.85	GR89R59 GRF89R59	4P	1.3			1688	1042	15			0.95	1.4	1515	935	17	1.05	1.7	1306	806	18	1.25			1.2	1860	1148			15			0.85	1.5	1440	889	17	1.10	1.7	1264	780	18	1.30	1.9	1115	688	19	1.45	2.2	974	601	19	1.65	2.5	854	527	19	1.90	2.9	742	458	19	2.20	4.9	436	269	19	3.70	2.3	925	571	8.7	0.90	GR79R39 GRF79R39	4P	2.4	907	560	8.6	0.95	GR79R39 GRF79R39			4P			2.7	791	488	10	1.05			3.1	706	436	10	1.20			3.6	604	373			11	1.40	4.1	530	327	11	1.60	4.6	468	289	12	1.80	5.1	421	260	12	2.00	5.9	363	224	12	2.35	3.4	629	388	7.1							1.00	GR69R39 GRF69R39	4P	3.9	557			344	7.7	1.10	4.5	476			294	8.5	1.30	5.1	423	261	8.8	1.45	5.7	379	234	9.0	1.65	6.7	324	200	9.3	1.90	7.6	285	176	10	2.20	8.4			256	158	10	2.45	3.5			622					384	6.9	1.00	GR69R39 GRF69R39	4P	3.7			582	359	7.3	1.05	4.3	502	310	8.1	1.25	5.0	428	264	8.7	1.45	5.7			381	235	9.0	1.65	6.6	326	201	9.3	1.90	7.3	293					181	9.4	2.10			4.2	517			319	6.3	0.90	GR59R39 GRF59R39	4P	4.9	442	273	6.8	1.05	5.5	390	241	7.0	1.20	6.2	348	215	7.2	1.35	7.1	303	187	7.3	1.55	8.1	266	164			7.4	1.75	9.4	230	142			7.4	2.05	4.1	525	324	5.3	0.90	GR59R39 GRF59R39	4P	4.6	470	290	6.7	1.00	5.1	424	262
347	4.7	3.77	3.5	18			409	4.0	3.20	3.3	24	453	3.6			2.89	3.2	28			516	3.1	2.54			3.1	36	546	3.0	2.40	3.0	40	642	2.5	2.04	2.9	50	155	11	5.50	3.7	3.60	GRX59 GRXF59	6P	0.73	2953	1823			21	1.05	GR99R59 GRF99R59			4P	168			10					5.07	3.6	3.60			195	8.6	4.35	3.4	7.90	224	7.5	3.79	3.3	9.20	238	6.8	5.50	3.2	5.40	258	6.3	5.07	3.1	5.40	301							5.4	4.35	3.0	12	346	4.7	3.79	2.9	14	369	4.4	3.55	2.8	15	417	3.9	3.14	2.7	16	450	3.6	2.91	2.6	18	496	3.3	2.64	2.5	20	553	2.9	2.37	2.5	22	642	2.5	2.04	2.3	26	682	2.4	1.92	2.3	28	794	2.0	1.65	2.2	31	1.2	1863	1150	13	0.85	GR89R59 GRF89R59			4P			1.3	1688	1042			15	0.95	1.4	1515	935	17	1.05	1.7	1306	806	18			1.25	1.2	1860			1148			15	0.85	1.5	1440	889	17	1.10	1.7	1264	780	18	1.30	1.9	1115	688	19	1.45	2.2	974	601	19	1.65	2.5	854	527	19	1.90	2.9	742	458	19	2.20	4.9	436	269	19	3.70	2.3	925	571	8.7	0.90	GR79R39 GRF79R39	4P	2.4	907	560	8.6							0.95	GR79R39 GRF79R39	4P	2.7	791			488	10	1.05	3.1	706			436	10	1.20			3.6	604	373	11	1.40	4.1	530	327	11	1.60	4.6	468	289	12	1.80	5.1	421	260	12	2.00	5.9	363	224	12	2.35	3.4							629			388	7.1			1.00	GR69R39 GRF69R39	4P	3.9	557			344	7.7	1.10	4.5	476	294	8.5	1.30	5.1	423	261	8.8	1.45	5.7	379	234	9.0	1.65	6.7	324	200	9.3	1.90	7.6			285	176	10	2.20	8.4			256					158	10	2.45			3.5			622	384	6.9	1.00	GR69R39 GRF69R39	4P	3.7	582	359	7.3	1.05	4.3	502	310	8.1			1.25	5.0	428	264	8.7	1.45	5.7	381	235	9.0	1.65					6.6	326	201			9.3	1.90			7.3	293	181			9.4	2.10	4.2	517	319	6.3	0.90	GR59R39 GRF59R39	4P	4.9	442	273	6.8	1.05	5.5	390	241	7.0	1.20	6.2	348	215	7.2	1.35	7.1	303	187	7.3	1.55	8.1			266	164	7.4	1.75	9.4	230	142			7.4	2.05	4.1	525	324	5.3	0.90	GR59R39 GRF59R39
409	4.0	3.20	3.3	24			453	3.6	2.89	3.2	28	516	3.1			2.54	3.1	36			546	3.0	2.40			3.0	40	642	2.5	2.04	2.9	50	155	11	5.50	3.7	3.60	GRX59 GRXF59	6P	0.73	2953	1823			21	1.05	GR99R59 GRF99R59			4P	168					10			5.07	3.6	3.60			195	8.6	4.35			3.4	7.90	224	7.5	3.79	3.3	9.20	238	6.8	5.50	3.2	5.40	258	6.3	5.07	3.1	5.40	301	5.4	4.35	3.0							12	346	4.7	3.79	2.9	14	369	4.4	3.55	2.8	15	417	3.9	3.14	2.7	16	450	3.6	2.91	2.6	18	496	3.3	2.64	2.5	20	553	2.9	2.37	2.5	22	642	2.5	2.04	2.3	26	682	2.4	1.92	2.3	28	794	2.0	1.65	2.2	31	1.2	1863	1150	13	0.85	GR89R59 GRF89R59	4P	1.3							1688	1042	15			0.95	1.4	1515	935	17	1.05	1.7	1306	806	18	1.25			1.2	1860	1148			15			0.85	1.5	1440	889	17	1.10	1.7	1264	780	18	1.30	1.9	1115	688	19	1.45	2.2	974	601	19	1.65	2.5	854	527	19	1.90	2.9	742	458	19	2.20	4.9	436	269	19	3.70	2.3	925	571	8.7	0.90	GR79R39 GRF79R39	4P	2.4	907	560	8.6	0.95							GR79R39 GRF79R39			4P	2.7	791	488	10	1.05	3.1	706	436			10	1.20	3.6			604	373	11	1.40	4.1	530	327	11	1.60	4.6	468	289	12	1.80	5.1	421	260	12	2.00	5.9	363	224	12	2.35	3.4	629			388	7.1			1.00			GR69R39 GRF69R39	4P			3.9			557	344			7.7	1.10	4.5	476	294	8.5	1.30	5.1	423	261	8.8	1.45	5.7	379	234	9.0	1.65	6.7	324	200	9.3	1.90	7.6	285	176	10	2.20	8.4	256	158	10			2.45					3.5	622	384			6.9			1.00	GR69R39 GRF69R39	4P	3.7			582	359	7.3	1.05	4.3	502	310	8.1	1.25	5.0	428	264	8.7	1.45	5.7	381	235	9.0	1.65	6.6	326	201					9.3	1.90	7.3			293	181			9.4	2.10	4.2			517	319	6.3	0.90	GR59R39 GRF59R39	4P	4.9			442	273	6.8	1.05	5.5	390	241	7.0	1.20	6.2	348	215	7.2	1.35	7.1	303	187	7.3	1.55	8.1	266	164	7.4	1.75	9.4	230	142	7.4	2.05	4.1			525	324	5.3	0.90	GR59R39 GRF59R39	4P	4.6	
453	3.6	2.89	3.2	28			516	3.1	2.54	3.1	36	546	3.0			2.40	3.0	40			642	2.5	2.04			2.9	50	155	11	5.50	3.7	3.60	GRX59 GRXF59	6P	0.73	2953	1823			21	1.05	GR99R59 GRF99R59			4P	168					10		5.07	3.6		3.60			195	8.6	4.35			3.4	7.90	224			7.5	3.79	3.3	9.20	238	6.8	5.50	3.2	5.40	258	6.3	5.07	3.1	5.40	301	5.4	4.35	3.0	12	346	4.7							3.79	2.9	14	369	4.4	3.55	2.8	15	417	3.9	3.14	2.7	16	450	3.6	2.91	2.6	18	496	3.3	2.64	2.5	20	553	2.9	2.37	2.5	22	642	2.5	2.04	2.3	26	682	2.4	1.92	2.3	28	794	2.0	1.65	2.2	31	1.2	1863	1150	13	0.85	GR89R59 GRF89R59	4P	1.3			1688							1042	15	0.95			1.4	1515	935	17	1.05	1.7	1306	806	18	1.25	1.2			1860	1148	15			0.85			1.5	1440	889	17	1.10	1.7	1264	780	18	1.30	1.9	1115	688	19	1.45	2.2	974	601	19	1.65	2.5	854	527	19	1.90	2.9	742	458	19	2.20	4.9	436	269	19	3.70	2.3	925	571	8.7	0.90	GR79R39 GRF79R39	4P	2.4	907	560	8.6	0.95	GR79R39 GRF79R39											4P	2.7	791	488	10	1.05	3.1	706	436	10	1.20	3.6	604			373	11	1.40	4.1	530	327	11	1.60	4.6	468	289	12	1.80	5.1	421	260	12	2.00	5.9	363	224	12	2.35	3.4	629	388			7.1	1.00			GR69R39 GRF69R39					4P	3.9	557			344	7.7			1.10	4.5	476	294	8.5	1.30	5.1	423	261	8.8	1.45	5.7	379	234	9.0	1.65	6.7	324	200	9.3	1.90	7.6	285	176	10	2.20	8.4	256	158	10	2.45			3.5		622	384		6.9	1.00	GR69R39 GRF69R39			4P			3.7			582			359	7.3	1.05	4.3	502	310	8.1	1.25	5.0	428	264	8.7	1.45	5.7	381	235	9.0	1.65	6.6	326	201	9.3	1.90	7.3			293	181	9.4			2.10	4.2			517	319	6.3			0.90	GR59R39 GRF59R39	4P	4.9			442			273	6.8	1.05	5.5	390	241	7.0	1.20	6.2	348	215	7.2	1.35	7.1	303	187	7.3	1.55	8.1	266	164	7.4	1.75	9.4	230	142	7.4	2.05	4.1	525	324	5.3	0.90	GR59R39 GRF59R39	4P	4.6			470	
516	3.1	2.54	3.1	36			546	3.0	2.40	3.0	40	642	2.5			2.04	2.9	50			155	11	5.50	3.7	3.60	GRX59 GRXF59	6P	0.73	2953	1823	21	1.05			GR99R59 GRF99R59	4P	168			10	5.07					3.6		3.60	195		8.6		4.35	3.4		7.90			224	7.5	3.79			3.3	9.20	238			6.8	5.50	3.2	5.40	258	6.3	5.07	3.1	5.40	301	5.4	4.35	3.0	12	346	4.7	3.79	2.9	14	369	4.4	3.55	2.8					15	417	3.9	3.14	2.7	16	450	3.6	2.91	2.6	18	496	3.3	2.64	2.5	20	553	2.9	2.37	2.5	22	642	2.5	2.04	2.3	26	682	2.4	1.92	2.3	28	794	2.0	1.65	2.2	31	1.2	1863	1150	13	0.85	GR89R59 GRF89R59	4P	1.3	1688	1042	15	0.95			1.4			1515							935	17	1.05			1.7	1306	806	18	1.25	1.2	1860	1148	15	0.85	1.5	1440	889	17	1.10	1.7			1264			780	18	1.30	1.9	1115	688	19	1.45	2.2	974	601	19	1.65	2.5	854	527	19	1.90	2.9	742	458	19	2.20	4.9	436	269	19	3.70	2.3	925	571	8.7	0.90	GR79R39 GRF79R39	4P	2.4	907	560	8.6	0.95	GR79R39 GRF79R39	4P	2.7	791	488	10	1.05													3.1	706	436	10	1.20	3.6	604	373	11	1.40	4.1	530	327	11	1.60	4.6	468	289	12	1.80	5.1	421	260	12	2.00	5.9	363	224	12	2.35	3.4	629	388	7.1	1.00	GR69R39 GRF69R39	4P	3.9	557	344			7.7	1.10									4.5	476			294	8.5	1.30	5.1	423	261	8.8	1.45	5.7	379	234	9.0	1.65	6.7	324	200	9.3	1.90	7.6	285	176	10	2.20	8.4	256	158	10	2.45	3.5	622	384	6.9	1.00	GR69R39 GRF69R39	4P			3.7		582	359		7.3	1.05					4.3	502	310			8.1			1.25	5.0	428	264	8.7	1.45	5.7	381	235	9.0	1.65	6.6	326	201	9.3	1.90	7.3	293	181	9.4	2.10	4.2	517	319			6.3	0.90	GR59R39 GRF59R39			4P	4.9	442	273	6.8	1.05	5.5			390			241			7.0			1.20	6.2	348	215	7.2	1.35	7.1	303	187	7.3	1.55	8.1	266	164	7.4	1.75	9.4	230	142	7.4	2.05	4.1	525	324	5.3	0.90	GR59R39 GRF59R39	4P	4.6	470	290	6.7	1.00			5.1			424	262
546	3.0	2.40	3.0	40			642	2.5	2.04	2.9	50	155	11			5.50	3.7	3.60	GRX59 GRXF59	6P	0.73	2953	1823	21	1.05			GR99R59 GRF99R59	4P	168	10	5.07					3.6			3.60	195		8.6	4.35		3.4		7.90	224		7.5		3.79	3.3		9.20			238	6.8	5.50			3.2	5.40	258			6.3	5.07	3.1	5.40	301	5.4	4.35	3.0	12	346	4.7	3.79	2.9	14	369	4.4	3.55	2.8	15	417	3.9	3.14	2.7		16	450		3.6	2.91	2.6	18	496	3.3	2.64	2.5	20	553	2.9	2.37	2.5	22	642	2.5	2.04	2.3	26	682	2.4	1.92	2.3	28	794	2.0	1.65	2.2	31	1.2	1863	1150	13	0.85	GR89R59 GRF89R59	4P	1.3	1688	1042	15	0.95			1.4	1515	935	17	1.05			1.7			1306							806	18	1.25			1.2	1860	1148	15	0.85	1.5	1440	889	17	1.10	1.7	1264	780	18	1.30	1.9	1115	688	19			1.45	2.2	974	601	19	1.65	2.5	854	527	19	1.90	2.9	742	458	19	2.20	4.9	436	269	19	3.70	2.3	925	571	8.7	0.90	GR79R39 GRF79R39	4P	2.4	907	560	8.6	0.95	GR79R39 GRF79R39	4P	2.7	791	488	10	1.05			3.1	706	436	10	1.20													3.6	604	373	11	1.40	4.1	530	327	11	1.60	4.6	468	289	12	1.80	5.1	421	260	12	2.00	5.9	363	224	12	2.35	3.4	629	388	7.1	1.00	GR69R39 GRF69R39	4P	3.9	557	344			7.7	1.10	4.5			476	294									8.5	1.30			5.1	423	261	8.8	1.45	5.7	379	234	9.0	1.65	6.7	324	200	9.3	1.90	7.6	285	176	10	2.20	8.4	256	158	10	2.45	3.5	622	384	6.9	1.00	GR69R39 GRF69R39	4P	3.7					582		359	7.3		1.05	4.3					502	310	8.1			1.25			5.0	428	264	8.7	1.45	5.7	381	235	9.0	1.65	6.6	326	201	9.3	1.90	7.3	293	181	9.4	2.10	4.2	517	319	6.3			0.90	GR59R39 GRF59R39					4P	4.9	442	273	6.8	1.05			5.5			390			241			7.0	1.20	6.2	348	215	7.2	1.35	7.1	303	187	7.3	1.55	8.1	266	164	7.4	1.75	9.4	230	142	7.4	2.05	4.1	525	324	5.3			0.90	GR59R39 GRF59R39	4P	4.6	470			290	6.7	1.00	5.1	424
642	2.5	2.04	2.9	50			155	11	5.50	3.7	3.60	GRX59 GRXF59	6P	0.73	2953	1823	21	1.05			GR99R59 GRF99R59	4P	168	10	5.07					3.6	3.60	195					8.6	4.35	3.4	7.90	224		7.5	3.79		3.3		9.20	238		6.8		5.50	3.2		5.40			258	6.3	5.07			3.1	5.40	301			5.4	4.35	3.0	12	346	4.7	3.79	2.9	14	369	4.4	3.55	2.8	15	417	3.9	3.14	2.7	16	450	3.6	2.91	2.6	18	496	3.3	2.64	2.5	20	553	2.9	2.37	2.5	22	642	2.5	2.04	2.3	26	682	2.4	1.92	2.3	28	794	2.0	1.65	2.2	31	1.2	1863	1150	13	0.85	GR89R59 GRF89R59	4P	1.3	1688	1042	15	0.95			1.4	1515	935	17	1.05			1.7	1306	806	18	1.25			1.2			1860							1148	15	0.85			1.5	1440	889	17	1.10	1.7	1264	780	18	1.30	1.9	1115	688	19	1.45	2.2	974	601	19	1.65	2.5	854	527	19	1.90	2.9	742	458	19	2.20	4.9	436	269	19	3.70	2.3	925	571	8.7	0.90	GR79R39 GRF79R39	4P	2.4	907	560	8.6	0.95	GR79R39 GRF79R39	4P	2.7	791	488	10	1.05			3.1	706	436	10	1.20			3.6	604	373	11	1.40						4.1	530						327	11	1.60	4.6	468	289	12	1.80	5.1	421	260	12	2.00	5.9	363	224	12	2.35	3.4	629	388	7.1	1.00	GR69R39 GRF69R39	4P	3.9	557	344	7.7	1.10			4.5	476	294			8.5	1.30	5.1		423	261	8.8	1.45								5.7	379			234	9.0	1.65	6.7	324	200	9.3	1.90	7.6	285	176	10	2.20	8.4	256	158	10	2.45	3.5	622	384	6.9	1.00	GR69R39 GRF69R39	4P	3.7	582	359	7.3	1.05			4.3			502	310	8.1		1.25	5.0		428	264					8.7	1.45	5.7			381			235	9.0	1.65	6.6	326	201	9.3	1.90	7.3	293	181	9.4	2.10	4.2	517	319	6.3	0.90	GR59R39 GRF59R39	4P	4.9	442	273	6.8	1.05	5.5	390							241	7.0	1.20	6.2	348			215			7.2			1.35			7.1	303	187	7.3	1.55	8.1	266	164	7.4	1.75	9.4	230	142	7.4	2.05	4.1	525	324	5.3	0.90	GR59R39 GRF59R39	4P	4.6	470	290	6.7			1.00			5.1	424	262	6.8	1.10				
155	11	5.50	3.7	3.60	GRX59 GRXF59	6P	0.73	2953	1823	21	1.05			GR99R59 GRF99R59	4P																																																																																																																																																																																																																																																																																																																																																																																																																																										
168	10	5.07	3.6	3.60			195	8.6	4.35	3.4	7.90					224	7.5	3.79					3.3	9.20	238	6.8	5.50			3.2	5.40	258	6.3	5.07			3.1	5.40	301	5.4	4.35		3.0	12		346		4.7	3.79		2.9		14	369		4.4			3.55	2.8	15			417	3.9	3.14	2.7	16	450	3.6	2.91	2.6	18	496	3.3	2.64	2.5	20	553	2.9	2.37	2.5	22	642	2.5	2.04	2.3	26	682	2.4	1.92	2.3	28	794	2.0	1.65	2.2	31	1.2	1863	1150	13	0.85	GR89R59 GRF89R59	4P	1.3	1688	1042	15	0.95	1.4	1515	935	17	1.05	1.7	1306	806	18	1.25	1.2	1860			1148	15	0.85	1.5	1440			889	17	1.10	1.7	1264			780	18	1.30	1.9	1115			688			19							1.45	2.2	974	601	19	1.65	2.5	854	527	19	1.90	2.9	742	458	19	2.20	4.9	436	269	19	3.70	2.3	925	571	8.7	0.90	GR79R39 GRF79R39	4P	2.4	907	560	8.6	0.95	GR79R39 GRF79R39	4P	2.7	791	488	10	1.05	3.1	706	436	10	1.20	3.6	604	373	11	1.40	4.1	530			327	11	1.60	4.6	468			289	12	1.80	5.1	421			260	12	2.00	5.9	363		224	12	2.35	3.4	629	388						7.1	1.00	GR69R39 GRF69R39	4P	3.9	557	344	7.7	1.10	4.5	476	294	8.5	1.30	5.1	423	261	8.8	1.45	5.7	379	234	9.0			1.65	6.7	324	200	9.3			1.90	7.6	285			176	10	2.20	8.4	256	158	10	2.45	3.5		622	384				6.9	1.00			GR69R39 GRF69R39	4P	3.7	582	359	7.3	1.05	4.3	502	310	8.1	1.25	5.0	428	264	8.7	1.45	5.7	381	235	9.0	1.65	6.6			326	201	9.3	1.90	7.3			293			181	9.4	2.10	4.2	517	319	6.3	0.90	GR59R39 GRF59R39		4P	4.9		442	273	6.8			1.05			5.5	390	241	7.0	1.20	6.2	348	215	7.2	1.35	7.1	303	187	7.3	1.55	8.1	266	164			7.4	1.75	9.4	230	142	7.4	2.05			4.1	525			324	5.3	0.90	GR59R39 GRF59R39	4P	4.6	470	290			6.7			1.00			5.1	424	262	6.8	1.10																																			
195	8.6	4.35	3.4	7.90			224	7.5	3.79	3.3	9.20					238	6.8	5.50	3.2	5.40			258	6.3	5.07	3.1	5.40			301	5.4	4.35	3.0	12			346	4.7	3.79	2.9	14		369	4.4		3.55		2.8	15		417		3.9	3.14		2.7			16	450	3.6	2.91	2.6	18	496	3.3	2.64	2.5	20	553	2.9	2.37	2.5	22	642	2.5	2.04	2.3	26	682	2.4	1.92	2.3	28	794	2.0	1.65	2.2	31	1.2	1863	1150	13	0.85	GR89R59 GRF89R59	4P	1.3	1688	1042	15	0.95	1.4	1515			935	17	1.05	1.7	1306	806	18	1.25	1.2	1860	1148	15	0.85	1.5	1440	889	17			1.10	1.7	1264	780	18			1.30	1.9	1115	688	19			1.45	2.2	974	601	19			1.65			2.5					854	527	19	1.90	2.9	742	458	19	2.20	4.9	436	269	19	3.70	2.3	925	571	8.7	0.90	GR79R39 GRF79R39	4P	2.4	907	560	8.6	0.95	GR79R39 GRF79R39	4P	2.7	791	488	10	1.05	3.1	706			436	10	1.20	3.6	604	373	11	1.40	4.1	530	327	11	1.60	4.6	468	289	12			1.80	5.1	421	260	12			2.00	5.9	363	224	12			2.35	3.4	629	388	7.1		1.00	GR69R39 GRF69R39	4P	3.9	557	344		7.7	1.10			4.5	476			294	8.5	1.30	5.1	423	261	8.8	1.45	5.7	379	234	9.0	1.65	6.7	324	200	9.3	1.90	7.6			285	176	10	2.20	8.4			256	158	10			2.45	3.5	622	384	6.9	1.00	GR69R39 GRF69R39	4P	3.7		582	359				7.3	1.05	4.3	502			310	8.1	1.25	5.0	428	264	8.7	1.45	5.7	381	235	9.0	1.65	6.6	326	201	9.3	1.90	7.3	293	181			9.4	2.10	4.2	517	319			6.3			0.90	GR59R39 GRF59R39	4P	4.9	442	273	6.8	1.05				5.5		390	241	7.0			1.20	6.2	348	215	7.2	1.35	7.1	303	187	7.3	1.55	8.1	266	164	7.4	1.75	9.4	230	142	7.4	2.05			4.1	525	324	5.3	0.90	GR59R39 GRF59R39	4P			4.6	470			290	6.7	1.00			5.1	424	262			6.8			1.10																																										
224	7.5	3.79	3.3	9.20			238	6.8	5.50	3.2	5.40	258	6.3			5.07	3.1	5.40	301	5.4			4.35	3.0	12	346	4.7			3.79	2.9	14	369	4.4			3.55	2.8	15	417	3.9		3.14	2.7		16		450	3.6		2.91		2.6	18		496	3.3	2.64	2.5	20	553	2.9	2.37	2.5	22	642	2.5	2.04	2.3	26	682	2.4	1.92	2.3	28	794	2.0	1.65	2.2	31	1.2	1863	1150	13	0.85	GR89R59 GRF89R59	4P	1.3	1688	1042	15	0.95	1.4	1515			935	17	1.05	1.7	1306	806	18			1.25	1.2	1860	1148	15	0.85	1.5	1440	889	17	1.10	1.7	1264	780	18	1.30	1.9			1115	688	19	1.45	2.2			974	601	19	1.65	2.5			854	527	19	1.90	2.9			742			458		19	2.20		4.9	436	269	19	3.70	2.3	925	571	8.7	0.90	GR79R39 GRF79R39	4P	2.4	907	560	8.6	0.95	GR79R39 GRF79R39	4P	2.7	791	488	10	1.05	3.1	706			436	10	1.20	3.6	604	373	11			1.40	4.1	530	327	11	1.60	4.6	468	289	12	1.80	5.1	421	260	12	2.00	5.9			363	224	12	2.35	3.4			629	388	7.1	1.00	GR69R39 GRF69R39			4P	3.9	557	344	7.7		1.10			4.5	476	294	8.5	1.30	5.1	423		261	8.8			1.45	5.7	379	234	9.0	1.65	6.7	324	200	9.3	1.90	7.6	285	176	10	2.20	8.4	256	158			10	2.45	3.5	622	384			6.9	1.00	GR69R39 GRF69R39			4P	3.7	582	359	7.3	1.05			4.3		502	310	8.1	1.25		5.0	428	264	8.7			1.45	5.7	381	235	9.0	1.65	6.6	326	201	9.3	1.90	7.3	293	181	9.4	2.10	4.2	517	319	6.3	0.90			GR59R39 GRF59R39	4P	4.9	442	273			6.8			1.05			5.5	390	241	7.0	1.20				6.2		348	215	7.2	1.35	7.1	303	187	7.3	1.55	8.1	266	164	7.4	1.75	9.4	230	142	7.4	2.05	4.1	525	324	5.3	0.90	GR59R39 GRF59R39	4P			4.6	470	290	6.7	1.00					5.1	424			262	6.8	1.10																																																					
238	6.8	5.50	3.2	5.40	258	6.3	5.07	3.1	5.40	301	5.4	4.35	3.0			12	346	4.7	3.79	2.9			14	369	4.4	3.55	2.8			15	417	3.9	3.14	2.7			16	450	3.6	2.91	2.6		18	496		3.3		2.64	2.5		20	553	2.9	2.37	2.5	22	642	2.5	2.04	2.3	26	682	2.4	1.92	2.3	28	794	2.0	1.65	2.2	31	1.2	1863	1150	13	0.85	GR89R59 GRF89R59	4P	1.3	1688	1042	15	0.95	1.4	1515			935	17	1.05	1.7	1306	806	18			1.25	1.2	1860	1148	15	0.85	1.5			1440	889	17	1.10	1.7	1264	780	18	1.30	1.9	1115	688	19	1.45	2.2	974	601			19	1.65	2.5	854	527			19	1.90	2.9	742	458			19	2.20	4.9	436	269			19			3.70	2.3	925	571	8.7	0.90	GR79R39 GRF79R39	4P	2.4	907	560	8.6	0.95	GR79R39 GRF79R39	4P	2.7	791	488	10	1.05	3.1	706			436	10	1.20	3.6	604	373	11			1.40	4.1	530	327	11	1.60	4.6			468	289	12	1.80	5.1	421	260	12	2.00	5.9	363	224	12	2.35	3.4	629	388			7.1	1.00	GR69R39 GRF69R39	4P	3.9			557	344	7.7	1.10					4.5	476	294	8.5	1.30	5.1			423	261	8.8	1.45	5.7	379	234	9.0	1.65	6.7			324	200	9.3	1.90	7.6	285	176	10	2.20	8.4	256	158	10	2.45	3.5	622	384	6.9	1.00			GR69R39 GRF69R39	4P	3.7	582	359			7.3	1.05					4.3	502	310	8.1	1.25			5.0	428	264	8.7	1.45	5.7	381	235	9.0	1.65	6.6			326	201	9.3	1.90	7.3	293	181	9.4	2.10	4.2	517	319	6.3	0.90	GR59R39 GRF59R39	4P	4.9	442	273	6.8	1.05					5.5	390	241			7.0			1.20			6.2	348	215	7.2	1.35		7.1		303	187	7.3	1.55	8.1	266	164	7.4	1.75	9.4	230	142	7.4	2.05	4.1	525	324	5.3	0.90	GR59R39 GRF59R39	4P	4.6	470	290	6.7	1.00					5.1	424	262	6.8	1.10																																																																
258	6.3	5.07	3.1	5.40	301	5.4	4.35	3.0	12	346	4.7	3.79	2.9			14	369	4.4	3.55	2.8			15	417	3.9	3.14	2.7			16	450	3.6	2.91	2.6			18	496	3.3	2.64	2.5		20	553		2.9	2.37	2.5	22	642	2.5	2.04	2.3	26	682	2.4	1.92	2.3	28	794	2.0	1.65	2.2	31	1.2	1863	1150	13	0.85	GR89R59 GRF89R59	4P	1.3	1688	1042	15	0.95			1.4	1515	935	17	1.05	1.7	1306			806	18	1.25	1.2	1860	1148	15			0.85	1.5	1440	889	17	1.10	1.7			1264	780	18	1.30	1.9	1115	688	19	1.45	2.2	974	601	19	1.65	2.5	854	527			19	1.90	2.9	742	458			19	2.20	4.9	436	269			19	3.70	2.3	925	571			8.7	0.90	GR79R39 GRF79R39	4P	2.4	907	560	8.6	0.95	GR79R39 GRF79R39	4P	2.7	791	488	10	1.05			3.1	706	436	10	1.20	3.6	604			373	11	1.40	4.1	530	327	11			1.60	4.6	468	289	12	1.80	5.1			421	260	12	2.00	5.9	363	224	12	2.35	3.4	629	388	7.1	1.00	GR69R39 GRF69R39	4P	3.9			557	344			7.7			1.10	4.5	476	294		8.5	1.30		5.1	423	261	8.8	1.45	5.7			379	234	9.0	1.65	6.7	324	200	9.3	1.90	7.6			285	176	10	2.20	8.4	256	158	10	2.45	3.5	622	384	6.9	1.00	GR69R39 GRF69R39	4P	3.7	582	359					7.3	1.05	4.3			502	310		8.1	1.25		5.0	428	264	8.7	1.45			5.7	381	235	9.0	1.65	6.6	326	201	9.3	1.90	7.3			293	181	9.4	2.10	4.2	517	319	6.3	0.90	GR59R39 GRF59R39	4P	4.9	442	273			6.8	1.05	5.5	390	241					7.0	1.20	6.2			348	215	7.2	1.35			7.1	303	187	7.3	1.55		8.1		266	164	7.4	1.75	9.4	230	142	7.4	2.05	4.1	525	324	5.3	0.90	GR59R39 GRF59R39	4P	4.6	470	290			6.7	1.00	5.1	424	262					6.8	1.10																																																																			
301	5.4	4.35	3.0	12	346	4.7	3.79	2.9	14	369	4.4	3.55	2.8			15	417	3.9	3.14	2.7			16	450	3.6	2.91	2.6			18	496	3.3	2.64	2.5			20	553	2.9	2.37	2.5	22	642	2.5	2.04	2.3	26	682	2.4	1.92	2.3	28	794	2.0	1.65	2.2	31	1.2	1863	1150	13	0.85	GR89R59 GRF89R59	4P	1.3	1688	1042	15	0.95			1.4	1515	935	17	1.05			1.7	1306	806	18	1.25	1.2	1860			1148	15	0.85	1.5	1440	889	17			1.10	1.7	1264	780	18	1.30	1.9			1115	688	19	1.45	2.2	974	601	19	1.65	2.5	854	527	19	1.90	2.9	742	458			19	2.20	4.9	436	269			19	3.70	2.3	925	571			8.7	0.90	GR79R39 GRF79R39	4P	2.4	907	560	8.6	0.95	GR79R39 GRF79R39	4P	2.7	791	488	10	1.05			3.1	706	436	10	1.20			3.6	604	373	11	1.40	4.1	530			327	11	1.60	4.6	468	289	12			1.80	5.1	421	260	12	2.00	5.9			363	224	12	2.35	3.4	629	388	7.1	1.00	GR69R39 GRF69R39	4P	3.9	557	344			7.7			1.10	4.5			476	294	8.5	1.30	5.1	423	261		8.8	1.45		5.7	379	234	9.0	1.65	6.7			324	200	9.3	1.90	7.6	285	176	10	2.20	8.4			256	158	10	2.45	3.5	622	384	6.9	1.00	GR69R39 GRF69R39	4P	3.7	582	359			7.3	1.05	4.3					502	310	8.1	1.25	5.0	428	264		8.7	1.45		5.7	381	235	9.0	1.65			6.6	326	201	9.3	1.90	7.3	293	181	9.4	2.10	4.2			517	319	6.3	0.90	GR59R39 GRF59R39	4P	4.9	442	273			6.8	1.05	5.5			390	241	7.0	1.20	6.2					348	215	7.2	1.35	7.1	303	187	7.3	1.55			8.1	266	164	7.4	1.75		9.4		230	142	7.4	2.05	4.1	525	324	5.3	0.90	GR59R39 GRF59R39	4P	4.6	470	290			6.7	1.00	5.1			424	262	6.8	1.10																																																																										
346	4.7	3.79	2.9	14	369	4.4	3.55	2.8	15	417	3.9	3.14	2.7			16	450	3.6	2.91	2.6			18	496	3.3	2.64	2.5			20	553	2.9	2.37	2.5	22	642	2.5	2.04	2.3	26	682	2.4	1.92	2.3	28	794	2.0	1.65	2.2	31	1.2	1863	1150	13	0.85	GR89R59 GRF89R59	4P	1.3	1688	1042	15	0.95			1.4	1515	935	17	1.05			1.7	1306	806	18	1.25			1.2	1860	1148	15	0.85	1.5	1440			889	17	1.10	1.7	1264	780	18			1.30	1.9	1115	688	19	1.45	2.2			974	601	19	1.65	2.5	854	527	19	1.90	2.9	742	458	19	2.20	4.9	436	269			19	3.70	2.3	925	571			8.7	0.90	GR79R39 GRF79R39	4P	2.4	907	560	8.6	0.95	GR79R39 GRF79R39	4P	2.7	791	488	10	1.05			3.1	706	436	10	1.20			3.6	604	373	11	1.40			4.1	530	327	11	1.60	4.6	468			289	12	1.80	5.1	421	260	12			2.00	5.9	363	224	12	2.35	3.4			629	388	7.1	1.00	GR69R39 GRF69R39	4P	3.9	557	344			7.7	1.10	4.5			476	294	8.5	1.30	5.1			423	261	8.8	1.45	5.7	379	234		9.0	1.65		6.7	324	200	9.3	1.90	7.6			285	176	10	2.20	8.4	256	158	10	2.45	3.5			622	384	6.9	1.00	GR69R39 GRF69R39	4P	3.7	582	359			7.3	1.05	4.3			502	310	8.1	1.25	5.0			428	264	8.7	1.45	5.7	381	235		9.0	1.65		6.6	326	201	9.3	1.90			7.3	293	181	9.4	2.10	4.2	517	319	6.3	0.90	GR59R39 GRF59R39			4P	4.9	442	273			6.8	1.05	5.5			390	241	7.0			1.20	6.2	348	215	7.2	1.35	7.1			303	187	7.3	1.55	8.1	266	164	7.4	1.75			9.4	230	142	7.4	2.05		4.1		525	324	5.3	0.90	GR59R39 GRF59R39	4P	4.6	470	290			6.7	1.00	5.1			424	262	6.8	1.10																																																																															
369	4.4	3.55	2.8	15	417	3.9	3.14	2.7	16	450	3.6	2.91	2.6			18	496	3.3	2.64	2.5			20	553	2.9	2.37	2.5	22	642	2.5	2.04	2.3	26	682	2.4	1.92	2.3	28	794	2.0	1.65	2.2	31	1.2	1863	1150	13	0.85	GR89R59 GRF89R59	4P	1.3	1688	1042	15	0.95			1.4	1515	935	17	1.05			1.7	1306	806	18	1.25			1.2	1860	1148	15	0.85			1.5	1440	889	17	1.10	1.7	1264			780	18	1.30	1.9	1115	688	19			1.45	2.2	974	601	19	1.65	2.5			854	527	19	1.90	2.9	742	458	19	2.20	4.9	436	269	19	3.70	2.3	925	571			8.7	0.90	GR79R39 GRF79R39	4P	2.4	907	560	8.6	0.95	GR79R39 GRF79R39	4P	2.7	791	488	10	1.05			3.1	706	436	10	1.20			3.6	604	373	11	1.40			4.1	530	327	11	1.60			4.6	468	289	12	1.80	5.1	421			260	12	2.00	5.9	363	224	12			2.35	3.4	629	388	7.1	1.00	GR69R39 GRF69R39			4P	3.9	557	344			7.7	1.10	4.5			476	294	8.5			1.30	5.1	423	261	8.8			1.45	5.7	379	234	9.0	1.65	6.7		324	200		9.3	1.90	7.6	285	176	10			2.20	8.4	256	158	10	2.45	3.5	622	384	6.9			1.00	GR69R39 GRF69R39	4P	3.7			582	359	7.3			1.05	4.3	502			310	8.1	1.25	5.0	428			264	8.7	1.45	5.7	381	235	9.0		1.65	6.6		326	201	9.3	1.90	7.3			293	181	9.4	2.10	4.2	517	319	6.3	0.90	GR59R39 GRF59R39					4P	4.9	442			273	6.8	1.05			5.5	390	241			7.0	1.20	6.2	348	215	7.2	1.35			7.1	303	187	7.3	1.55	8.1	266	164	7.4			1.75	9.4	230	142	7.4		2.05		4.1	525	324	5.3			0.90	GR59R39 GRF59R39	4P			4.6	470	290	6.7	1.00	5.1	424	262	6.8	1.10																																																																														
417	3.9	3.14	2.7	16	450	3.6	2.91	2.6	18	496	3.3	2.64	2.5			20	553	2.9	2.37	2.5	22	642	2.5	2.04	2.3	26	682	2.4	1.92	2.3	28	794	2.0	1.65	2.2	31	1.2	1863	1150	13	0.85	GR89R59 GRF89R59	4P	1.3	1688	1042	15	0.95			1.4	1515	935	17	1.05			1.7	1306	806	18	1.25			1.2	1860	1148	15	0.85			1.5	1440	889	17	1.10			1.7	1264	780	18	1.30	1.9	1115			688	19	1.45	2.2	974	601	19			1.65	2.5	854	527	19	1.90	2.9			742	458	19	2.20	4.9	436	269	19	3.70	2.3	925	571	8.7	0.90	GR79R39 GRF79R39	4P	2.4	907	560	8.6	0.95	GR79R39 GRF79R39	4P	2.7	791	488	10	1.05			3.1	706	436	10	1.20			3.6	604	373	11	1.40			4.1	530	327	11	1.60			4.6	468	289	12	1.80			5.1	421	260	12	2.00	5.9	363			224	12	2.35	3.4	629	388	7.1			1.00	GR69R39 GRF69R39	4P	3.9	557	344		7.7	1.10		4.5	476	294			8.5	1.30	5.1			423	261	8.8			1.45	5.7	379	234	9.0			1.65	6.7	324	200	9.3	1.90	7.6		285	176		10	2.20	8.4	256	158	10			2.45	3.5	622	384	6.9	1.00	GR69R39 GRF69R39	4P	3.7	582	359	7.3	1.05			4.3			502	310	8.1			1.25	5.0	428			264	8.7	1.45	5.7	381			235	9.0	1.65	6.6	326	201	9.3		1.90	7.3		293	181	9.4	2.10	4.2			517	319	6.3	0.90	GR59R39 GRF59R39	4P	4.9	442	273			6.8	1.05			5.5	390			241	7.0	1.20			6.2	348	215			7.2	1.35	7.1	303	187	7.3	1.55			8.1	266	164	7.4	1.75	9.4	230	142	7.4			2.05	4.1	525	324	5.3	0.90	GR59R39 GRF59R39	4P	4.6	470	290	6.7			1.00			5.1	424	262	6.8	1.10																																																																																					
450	3.6	2.91	2.6	18	496	3.3	2.64	2.5	20	553	2.9	2.37	2.5	22	642	2.5	2.04	2.3	26	682	2.4	1.92	2.3	28	794	2.0	1.65	2.2	31	1.2	1863	1150	13	0.85	GR89R59 GRF89R59	4P	1.3	1688	1042	15	0.95			1.4	1515	935	17	1.05			1.7	1306	806	18	1.25			1.2	1860	1148	15	0.85			1.5	1440	889	17	1.10			1.7	1264	780	18	1.30			1.9	1115	688	19	1.45	2.2	974			601	19	1.65	2.5	854	527	19			1.90	2.9	742	458	19	2.20	4.9			436	269	19	3.70	2.3	925	571	8.7	0.90	GR79R39 GRF79R39	4P	2.4	907	560	8.6	0.95	GR79R39 GRF79R39	4P	2.7	791	488			10	1.05	3.1	706	436			10	1.20	3.6	604	373			11	1.40	4.1	530	327			11	1.60	4.6	468	289			12	1.80	5.1	421	260			12	2.00	5.9	363	224	12	2.35			3.4	629	388	7.1	1.00	GR69R39 GRF69R39	4P	3.9	557	344			7.7	1.10	4.5		476	294		8.5	1.30	5.1			423	261	8.8			1.45	5.7	379			234	9.0	1.65	6.7	324			200	9.3	1.90	7.6	285	176	10		2.20	8.4		256	158	10	2.45	3.5	622	384	6.9	1.00	GR69R39 GRF69R39	4P	3.7	582	359			7.3	1.05	4.3	502	310			8.1			1.25	5.0	428			264	8.7	1.45			5.7	381	235	9.0	1.65			6.6	326	201	9.3	1.90	7.3	293		181	9.4		2.10	4.2	517	319	6.3	0.90	GR59R39 GRF59R39	4P	4.9	442	273			6.8	1.05	5.5			390	241			7.0	1.20			6.2	348	215			7.2	1.35	7.1			303	187	7.3	1.55	8.1	266	164			7.4	1.75	9.4	230	142	7.4	2.05	4.1	525	324	5.3	0.90	GR59R39 GRF59R39	4P	4.6	470	290			6.7	1.00	5.1	424	262	6.8	1.10																																																																																												
496	3.3	2.64	2.5	20	553	2.9	2.37	2.5	22	642	2.5	2.04	2.3	26	682	2.4	1.92	2.3	28	794	2.0	1.65	2.2	31	1.2	1863	1150	13	0.85	GR89R59 GRF89R59	4P	1.3	1688	1042			15	0.95	1.4	1515	935			17	1.05	1.7	1306	806			18	1.25	1.2	1860	1148			15	0.85	1.5	1440	889			17	1.10	1.7	1264	780			18	1.30	1.9	1115	688			19	1.45	2.2	974	601	19	1.65			2.5	854	527	19	1.90	2.9	742			458	19	2.20	4.9	436	269	19	3.70	2.3	925	571	8.7	0.90	GR79R39 GRF79R39	4P	2.4	907	560	8.6	0.95	GR79R39 GRF79R39	4P	2.7	791	488			10	1.05	3.1			706	436	10	1.20	3.6			604	373	11	1.40	4.1			530	327	11	1.60	4.6			468	289	12	1.80	5.1			421	260	12	2.00	5.9			363	224	12	2.35	3.4	629	388	7.1	1.00	GR69R39 GRF69R39	4P	3.9	557	344			7.7	1.10	4.5			476	294	8.5		1.30	5.1		423	261	8.8			1.45	5.7	379			234	9.0	1.65			6.7	324	200	9.3	1.90			7.6	285	176	10	2.20	8.4	256	158	10	2.45	3.5	622	384	6.9	1.00	GR69R39 GRF69R39	4P	3.7	582	359			7.3	1.05	4.3			502	310	8.1	1.25	5.0			428			264	8.7	1.45			5.7	381	235			9.0	1.65	6.6	326	201			9.3	1.90	7.3	293	181	9.4	2.10	4.2	517	319	6.3	0.90	GR59R39 GRF59R39	4P	4.9	442	273			6.8	1.05	5.5			390	241	7.0			1.20	6.2			348	215			7.2	1.35	7.1			303	187	7.3			1.55	8.1	266	164	7.4	1.75	9.4	230	142	7.4	2.05	4.1	525	324	5.3	0.90	GR59R39 GRF59R39	4P	4.6	470	290			6.7	1.00	5.1			424	262	6.8	1.10																																																																																															
553	2.9	2.37	2.5	22	642	2.5	2.04	2.3	26	682	2.4	1.92	2.3	28	794	2.0	1.65	2.2	31	1.2	1863	1150	13	0.85	GR89R59 GRF89R59	4P	1.3	1688	1042			15	0.95	1.4			1515	935	17	1.05	1.7			1306	806	18	1.25	1.2			1860	1148	15	0.85	1.5			1440	889	17	1.10	1.7			1264	780	18	1.30	1.9			1115	688	19	1.45	2.2			974	601	19	1.65	2.5	854	527			19	1.90	2.9	742	458	19	2.20	4.9	436	269	19	3.70	2.3	925	571	8.7	0.90	GR79R39 GRF79R39	4P	2.4	907	560	8.6	0.95	GR79R39 GRF79R39	4P	2.7	791	488			10	1.05	3.1			706	436	10			1.20	3.6	604	373	11			1.40	4.1	530	327	11			1.60	4.6	468	289	12			1.80	5.1	421	260	12			2.00	5.9	363	224	12	2.35	3.4	629	388	7.1	1.00	GR69R39 GRF69R39	4P	3.9	557	344			7.7	1.10	4.5			476	294	8.5			1.30	5.1	423		261	8.8		1.45	5.7	379			234	9.0	1.65			6.7	324	200			9.3	1.90	7.6	285	176	10	2.20	8.4	256	158	10	2.45	3.5	622	384	6.9	1.00	GR69R39 GRF69R39	4P	3.7	582	359			7.3	1.05	4.3			502	310	8.1			1.25	5.0	428	264	8.7			1.45			5.7	381	235			9.0	1.65	6.6			326	201	9.3	1.90	7.3	293	181	9.4	2.10	4.2	517	319	6.3	0.90	GR59R39 GRF59R39	4P	4.9	442	273			6.8	1.05	5.5			390	241	7.0			1.20	6.2	348			215	7.2			1.35	7.1			303	187	7.3			1.55	8.1	266	164	7.4	1.75	9.4	230	142	7.4	2.05	4.1	525	324	5.3	0.90	GR59R39 GRF59R39	4P	4.6	470	290			6.7	1.00	5.1			424	262	6.8	1.10																																																																																																				
642	2.5	2.04	2.3	26	682	2.4	1.92	2.3	28	794	2.0	1.65	2.2	31	1.2	1863	1150	13	0.85	GR89R59 GRF89R59	4P	1.3	1688	1042			15	0.95	1.4			1515	935	17			1.05	1.7	1306	806	18			1.25	1.2	1860	1148	15			0.85	1.5	1440	889	17			1.10	1.7	1264	780	18			1.30	1.9	1115	688	19			1.45	2.2	974	601	19			1.65	2.5	854	527	19	1.90	2.9	742	458	19	2.20	4.9	436	269	19	3.70	2.3	925	571	8.7	0.90	GR79R39 GRF79R39	4P	2.4	907	560	8.6	0.95	GR79R39 GRF79R39	4P	2.7	791	488			10	1.05	3.1			706	436	10			1.20	3.6	604			373	11	1.40	4.1	530			327	11	1.60	4.6	468			289	12	1.80	5.1	421			260	12	2.00	5.9	363	224	12	2.35	3.4	629	388	7.1	1.00	GR69R39 GRF69R39	4P	3.9	557	344			7.7	1.10	4.5			476	294	8.5			1.30	5.1	423			261	8.8	1.45		5.7	379		234	9.0	1.65			6.7	324	200			9.3	1.90	7.6	285	176	10	2.20	8.4	256	158	10	2.45	3.5	622	384	6.9	1.00	GR69R39 GRF69R39	4P	3.7	582	359			7.3	1.05	4.3			502	310	8.1			1.25	5.0	428			264	8.7	1.45	5.7	381			235			9.0	1.65	6.6			326	201	9.3	1.90	7.3	293	181	9.4	2.10	4.2	517	319	6.3	0.90	GR59R39 GRF59R39	4P	4.9	442	273			6.8	1.05	5.5			390	241	7.0			1.20	6.2	348			215	7.2	1.35			7.1	303			187	7.3			1.55	8.1	266	164	7.4	1.75	9.4	230	142	7.4	2.05	4.1	525	324	5.3	0.90	GR59R39 GRF59R39	4P	4.6	470	290			6.7	1.00	5.1			424	262	6.8	1.10																																																																																																									
682	2.4	1.92	2.3	28	794	2.0	1.65	2.2	31	1.2	1863	1150	13	0.85	GR89R59 GRF89R59	4P	1.3	1688	1042			15	0.95	1.4			1515	935	17			1.05	1.7	1306			806	18	1.25	1.2	1860			1148	15	0.85	1.5	1440			889	17	1.10	1.7	1264			780	18	1.30	1.9	1115			688	19	1.45	2.2	974			601	19	1.65	2.5	854	527	19	1.90	2.9	742	458	19	2.20	4.9	436	269	19	3.70	2.3	925	571	8.7	0.90	GR79R39 GRF79R39	4P	2.4	907	560	8.6	0.95	GR79R39 GRF79R39	4P	2.7	791	488			10	1.05	3.1			706	436	10			1.20	3.6	604			373	11	1.40			4.1	530	327	11	1.60			4.6	468	289	12	1.80			5.1	421	260	12	2.00	5.9	363	224	12	2.35	3.4	629	388	7.1	1.00	GR69R39 GRF69R39	4P	3.9	557	344			7.7	1.10	4.5			476	294	8.5			1.30	5.1	423			261	8.8	1.45			5.7	379	234		9.0	1.65		6.7	324	200			9.3	1.90	7.6	285	176	10	2.20	8.4	256	158	10	2.45	3.5	622	384	6.9	1.00	GR69R39 GRF69R39	4P	3.7	582	359			7.3	1.05	4.3			502	310	8.1			1.25	5.0	428			264	8.7	1.45			5.7	381	235	9.0	1.65			6.6			326	201	9.3	1.90	7.3	293	181	9.4	2.10	4.2	517	319	6.3	0.90	GR59R39 GRF59R39	4P	4.9	442	273			6.8	1.05	5.5			390	241	7.0			1.20	6.2	348			215	7.2	1.35			7.1	303	187			7.3	1.55			8.1	266	164	7.4	1.75	9.4	230	142	7.4	2.05	4.1	525	324	5.3	0.90	GR59R39 GRF59R39	4P	4.6	470	290			6.7	1.00	5.1			424	262	6.8	1.10																																																																																																														
794	2.0	1.65	2.2	31	1.2	1863	1150	13	0.85	GR89R59 GRF89R59	4P	1.3	1688	1042			15	0.95	1.4			1515	935	17			1.05	1.7	1306			806	18	1.25			1.2	1860	1148	15	0.85			1.5	1440	889	17	1.10			1.7	1264	780	18	1.30			1.9	1115	688	19	1.45			2.2	974	601	19	1.65	2.5	854	527	19	1.90	2.9	742	458	19	2.20	4.9	436	269	19	3.70	2.3	925	571	8.7	0.90	GR79R39 GRF79R39	4P	2.4	907	560	8.6	0.95	GR79R39 GRF79R39	4P	2.7	791	488			10	1.05	3.1			706	436	10			1.20	3.6	604			373	11	1.40			4.1	530	327			11	1.60	4.6	468	289			12	1.80	5.1	421	260	12	2.00	5.9	363	224	12	2.35	3.4	629	388	7.1	1.00	GR69R39 GRF69R39	4P	3.9	557	344			7.7	1.10	4.5			476	294	8.5			1.30	5.1	423			261	8.8	1.45			5.7	379	234			9.0	1.65	6.7		324	200		9.3	1.90	7.6	285	176	10	2.20	8.4	256	158	10	2.45	3.5	622	384	6.9	1.00	GR69R39 GRF69R39	4P	3.7	582	359			7.3	1.05	4.3			502	310	8.1			1.25	5.0	428			264	8.7	1.45			5.7	381	235			9.0	1.65	6.6	326	201			9.3	1.90	7.3	293	181	9.4	2.10	4.2	517	319	6.3	0.90	GR59R39 GRF59R39	4P	4.9	442	273			6.8	1.05	5.5			390	241	7.0			1.20	6.2	348			215	7.2	1.35			7.1	303	187			7.3	1.55	8.1		266	164	7.4	1.75		9.4	230	142	7.4	2.05	4.1	525	324	5.3	0.90	GR59R39 GRF59R39	4P	4.6	470	290			6.7	1.00	5.1			424	262	6.8	1.10																																																																																																																			
1.2	1863	1150	13	0.85	GR89R59 GRF89R59	4P	1.3	1688	1042			15	0.95	1.4			1515	935	17			1.05	1.7	1306			806	18	1.25			1.2	1860	1148			15	0.85	1.5	1440	889			17	1.10	1.7	1264	780			18	1.30	1.9	1115	688			19	1.45	2.2	974	601	19	1.65	2.5	854	527	19	1.90	2.9	742	458	19	2.20	4.9	436	269	19	3.70	2.3	925	571	8.7	0.90	GR79R39 GRF79R39	4P	2.4	907	560	8.6	0.95	GR79R39 GRF79R39	4P	2.7	791	488			10	1.05	3.1			706	436	10			1.20	3.6	604			373	11	1.40			4.1	530	327			11	1.60	4.6			468	289	12	1.80	5.1	421	260	12	2.00	5.9	363	224	12	2.35	3.4	629	388	7.1	1.00	GR69R39 GRF69R39	4P	3.9	557	344			7.7	1.10	4.5			476	294	8.5			1.30	5.1	423			261	8.8	1.45			5.7	379	234			9.0	1.65	6.7			324	200	9.3	1.90	7.6	285	176	10	2.20	8.4	256	158	10	2.45	3.5	622	384	6.9	1.00	GR69R39 GRF69R39	4P	3.7	582	359			7.3	1.05	4.3			502	310	8.1			1.25	5.0	428			264	8.7	1.45			5.7	381	235			9.0	1.65	6.6			326	201	9.3	1.90	7.3	293	181	9.4	2.10	4.2	517	319	6.3	0.90	GR59R39 GRF59R39	4P	4.9	442	273			6.8	1.05	5.5			390	241	7.0			1.20	6.2	348			215	7.2	1.35			7.1	303	187			7.3	1.55	8.1			266	164	7.4	1.75	9.4	230	142	7.4	2.05	4.1	525	324	5.3	0.90	GR59R39 GRF59R39	4P	4.6	470	290			6.7	1.00	5.1			424	262	6.8	1.10																																																																																																																								
1.3	1688	1042	15	0.95			1.4	1515	935			17	1.05	1.7			1306	806	18			1.25	1.2	1860			1148	15	0.85			1.5	1440	889			17	1.10	1.7	1264	780			18	1.30	1.9	1115	688			19	1.45	2.2	974	601	19	1.65	2.5	854	527	19	1.90	2.9	742	458	19	2.20	4.9	436	269	19	3.70	2.3	925	571	8.7	0.90	GR79R39 GRF79R39	4P	2.4	907	560	8.6	0.95	GR79R39 GRF79R39	4P	2.7	791	488	10	1.05			3.1	706	436			10	1.20	3.6			604	373	11			1.40	4.1	530			327	11	1.60			4.6	468	289			12	1.80	5.1	421	260	12	2.00	5.9	363	224	12	2.35	3.4	629	388	7.1	1.00	GR69R39 GRF69R39	4P	3.9	557	344	7.7	1.10			4.5	476	294			8.5	1.30	5.1			423	261	8.8			1.45	5.7	379			234	9.0	1.65			6.7	324	200			9.3	1.90	7.6	285	176	10	2.20	8.4	256	158	10	2.45	3.5	622	384	6.9	1.00	GR69R39 GRF69R39	4P	3.7	582	359	7.3	1.05			4.3	502	310			8.1	1.25	5.0			428	264	8.7			1.45	5.7	381			235	9.0	1.65			6.6	326	201			9.3	1.90	7.3	293	181	9.4	2.10	4.2	517	319	6.3	0.90	GR59R39 GRF59R39	4P	4.9	442	273	6.8	1.05			5.5	390	241			7.0	1.20	6.2			348	215	7.2			1.35	7.1	303			187	7.3	1.55			8.1	266	164			7.4	1.75	9.4	230	142	7.4	2.05	4.1	525	324	5.3	0.90	GR59R39 GRF59R39	4P	4.6	470	290	6.7	1.00			5.1	424	262			6.8	1.10																																																																																																																															
1.4	1515	935	17	1.05			1.7	1306	806			18	1.25	1.2			1860	1148	15			0.85	1.5	1440			889	17	1.10			1.7	1264	780			18	1.30	1.9	1115	688			19	1.45	2.2	974	601	19	1.65	2.5	854	527	19	1.90	2.9	742	458	19	2.20	4.9	436	269	19	3.70	2.3	925	571	8.7	0.90	GR79R39 GRF79R39	4P	2.4	907	560	8.6	0.95	GR79R39 GRF79R39	4P	2.7	791	488	10	1.05			3.1	706	436	10	1.20			3.6	604	373			11	1.40	4.1			530	327	11			1.60	4.6	468			289	12	1.80			5.1	421	260	12	2.00	5.9	363	224	12	2.35	3.4	629	388	7.1	1.00	GR69R39 GRF69R39	4P	3.9	557	344	7.7	1.10			4.5	476	294	8.5	1.30			5.1	423	261			8.8	1.45	5.7			379	234	9.0			1.65	6.7	324			200	9.3	1.90			7.6	285	176	10	2.20	8.4	256	158	10	2.45	3.5	622	384	6.9	1.00	GR69R39 GRF69R39	4P	3.7	582	359	7.3	1.05			4.3	502	310	8.1	1.25			5.0	428	264			8.7	1.45	5.7			381	235	9.0			1.65	6.6	326			201	9.3	1.90			7.3	293	181	9.4	2.10	4.2	517	319	6.3	0.90	GR59R39 GRF59R39	4P	4.9	442	273	6.8	1.05			5.5	390	241	7.0	1.20			6.2	348	215			7.2	1.35	7.1			303	187	7.3			1.55	8.1	266			164	7.4	1.75			9.4	230	142	7.4	2.05	4.1	525	324	5.3	0.90	GR59R39 GRF59R39	4P	4.6	470	290	6.7	1.00			5.1	424	262	6.8	1.10																																																																																																																																								
1.7	1306	806	18	1.25			1.2	1860	1148			15	0.85	1.5			1440	889	17			1.10	1.7	1264			780	18	1.30			1.9	1115	688			19	1.45	2.2	974	601	19	1.65	2.5	854	527	19	1.90	2.9	742	458	19	2.20	4.9	436	269	19	3.70	2.3	925	571	8.7	0.90	GR79R39 GRF79R39	4P	2.4	907	560	8.6	0.95	GR79R39 GRF79R39	4P	2.7	791	488	10	1.05			3.1	706	436	10	1.20			3.6	604	373	11	1.40			4.1	530	327			11	1.60	4.6			468	289	12			1.80	5.1	421			260	12	2.00	5.9	363	224	12	2.35	3.4	629	388	7.1	1.00	GR69R39 GRF69R39	4P	3.9	557	344	7.7	1.10			4.5	476	294	8.5	1.30			5.1	423	261	8.8	1.45			5.7	379	234			9.0	1.65	6.7			324	200	9.3			1.90	7.6	285			176	10	2.20	8.4	256	158	10	2.45	3.5	622	384	6.9	1.00	GR69R39 GRF69R39	4P	3.7	582	359	7.3	1.05			4.3	502	310	8.1	1.25			5.0	428	264	8.7	1.45			5.7	381	235			9.0	1.65	6.6			326	201	9.3			1.90	7.3	293			181	9.4	2.10	4.2	517	319	6.3	0.90	GR59R39 GRF59R39	4P	4.9	442	273	6.8	1.05			5.5	390	241	7.0	1.20			6.2	348	215	7.2	1.35			7.1	303	187			7.3	1.55	8.1			266	164	7.4			1.75	9.4	230			142	7.4	2.05	4.1	525	324	5.3	0.90	GR59R39 GRF59R39	4P	4.6	470	290	6.7	1.00			5.1	424	262	6.8	1.10																																																																																																																																															
1.2	1860	1148	15	0.85			1.5	1440	889			17	1.10	1.7			1264	780	18			1.30	1.9	1115			688	19	1.45			2.2	974	601	19	1.65	2.5	854	527	19	1.90	2.9	742	458	19	2.20	4.9	436	269	19	3.70	2.3	925	571	8.7	0.90	GR79R39 GRF79R39	4P	2.4	907	560	8.6	0.95	GR79R39 GRF79R39	4P	2.7	791	488	10	1.05			3.1	706	436	10	1.20			3.6	604	373	11	1.40			4.1	530	327	11	1.60			4.6	468	289			12	1.80	5.1			421	260	12			2.00	5.9	363	224	12	2.35	3.4	629	388	7.1	1.00	GR69R39 GRF69R39	4P	3.9	557	344	7.7	1.10			4.5	476	294	8.5	1.30			5.1	423	261	8.8	1.45			5.7	379	234	9.0	1.65			6.7	324	200			9.3	1.90	7.6			285	176	10			2.20	8.4	256	158	10	2.45	3.5	622	384	6.9	1.00	GR69R39 GRF69R39	4P	3.7	582	359	7.3	1.05			4.3	502	310	8.1	1.25			5.0	428	264	8.7	1.45			5.7	381	235	9.0	1.65			6.6	326	201			9.3	1.90	7.3			293	181	9.4			2.10	4.2	517	319	6.3	0.90	GR59R39 GRF59R39	4P	4.9	442	273	6.8	1.05			5.5	390	241	7.0	1.20			6.2	348	215	7.2	1.35			7.1	303	187	7.3	1.55			8.1	266	164			7.4	1.75	9.4			230	142	7.4			2.05	4.1	525	324	5.3	0.90	GR59R39 GRF59R39	4P	4.6	470	290	6.7	1.00			5.1	424	262	6.8	1.10																																																																																																																																																						
1.5	1440	889	17	1.10			1.7	1264	780			18	1.30	1.9			1115	688	19			1.45	2.2	974			601	19	1.65	2.5	854	527	19	1.90	2.9	742	458	19	2.20	4.9	436	269	19	3.70	2.3	925	571	8.7	0.90	GR79R39 GRF79R39	4P	2.4	907	560	8.6	0.95	GR79R39 GRF79R39	4P	2.7	791	488	10	1.05			3.1	706	436	10	1.20			3.6	604	373	11	1.40			4.1	530	327	11	1.60			4.6	468	289	12	1.80			5.1	421	260			12	2.00	5.9			363	224	12	2.35	3.4	629	388	7.1	1.00	GR69R39 GRF69R39	4P	3.9	557	344	7.7	1.10			4.5	476	294	8.5	1.30			5.1	423	261	8.8	1.45			5.7	379	234	9.0	1.65			6.7	324	200	9.3	1.90			7.6	285	176			10	2.20	8.4			256	158	10	2.45	3.5	622	384	6.9	1.00	GR69R39 GRF69R39	4P	3.7	582	359	7.3	1.05			4.3	502	310	8.1	1.25			5.0	428	264	8.7	1.45			5.7	381	235	9.0	1.65			6.6	326	201	9.3	1.90			7.3	293	181			9.4	2.10	4.2			517	319	6.3	0.90	GR59R39 GRF59R39	4P	4.9	442	273	6.8	1.05			5.5	390	241	7.0	1.20			6.2	348	215	7.2	1.35			7.1	303	187	7.3	1.55			8.1	266	164	7.4	1.75			9.4	230	142			7.4	2.05	4.1			525	324	5.3	0.90	GR59R39 GRF59R39	4P	4.6	470	290	6.7	1.00			5.1	424	262	6.8	1.10																																																																																																																																																													
1.7	1264	780	18	1.30			1.9	1115	688			19	1.45	2.2			974	601	19			1.65	2.5	854	527	19	1.90	2.9	742	458	19	2.20	4.9	436	269	19	3.70	2.3	925	571	8.7	0.90	GR79R39 GRF79R39	4P	2.4	907	560	8.6	0.95	GR79R39 GRF79R39	4P	2.7	791	488	10	1.05			3.1	706	436	10	1.20			3.6	604	373	11	1.40			4.1	530	327	11	1.60			4.6	468	289	12	1.80			5.1	421	260	12	2.00			5.9	363	224			12	2.35	3.4	629	388	7.1	1.00	GR69R39 GRF69R39	4P	3.9	557	344	7.7	1.10			4.5	476	294	8.5	1.30			5.1	423	261	8.8	1.45			5.7	379	234	9.0	1.65			6.7	324	200	9.3	1.90			7.6	285	176	10	2.20			8.4	256	158			10	2.45	3.5	622	384	6.9	1.00	GR69R39 GRF69R39	4P	3.7	582	359	7.3	1.05			4.3	502	310	8.1	1.25			5.0	428	264	8.7	1.45			5.7	381	235	9.0	1.65			6.6	326	201	9.3	1.90			7.3	293	181	9.4	2.10			4.2	517	319			6.3	0.90	GR59R39 GRF59R39	4P	4.9	442	273	6.8	1.05			5.5	390	241	7.0	1.20			6.2	348	215	7.2	1.35			7.1	303	187	7.3	1.55			8.1	266	164	7.4	1.75			9.4	230	142	7.4	2.05			4.1	525	324			5.3	0.90	GR59R39 GRF59R39	4P	4.6	470	290	6.7	1.00			5.1	424	262	6.8	1.10																																																																																																																																																																				
1.9	1115	688	19	1.45			2.2	974	601			19	1.65	2.5			854	527	19	1.90	2.9	742	458	19	2.20	4.9	436	269	19	3.70	2.3	925	571	8.7	0.90	GR79R39 GRF79R39	4P	2.4	907	560	8.6	0.95	GR79R39 GRF79R39	4P	2.7	791	488	10	1.05			3.1	706	436	10	1.20			3.6	604	373	11	1.40			4.1	530	327	11	1.60			4.6	468	289	12	1.80			5.1	421	260	12	2.00			5.9	363	224	12	2.35			3.4	629	388	7.1	1.00	GR69R39 GRF69R39	4P	3.9	557	344	7.7	1.10			4.5	476	294	8.5	1.30			5.1	423	261	8.8	1.45			5.7	379	234	9.0	1.65			6.7	324	200	9.3	1.90			7.6	285	176	10	2.20			8.4	256	158	10	2.45			3.5	622	384	6.9	1.00	GR69R39 GRF69R39	4P	3.7	582	359	7.3	1.05			4.3	502	310	8.1	1.25			5.0	428	264	8.7	1.45			5.7	381	235	9.0	1.65			6.6	326	201	9.3	1.90			7.3	293	181	9.4	2.10			4.2	517	319	6.3	0.90			GR59R39 GRF59R39	4P	4.9	442	273	6.8	1.05			5.5	390	241	7.0	1.20			6.2	348	215	7.2	1.35			7.1	303	187	7.3	1.55			8.1	266	164	7.4	1.75			9.4	230	142	7.4	2.05			4.1	525	324	5.3	0.90			GR59R39 GRF59R39	4P	4.6	470	290	6.7	1.00			5.1	424	262	6.8	1.10																																																																																																																																																																											
2.2	974	601	19	1.65			2.5	854	527			19	1.90	2.9	742	458	19	2.20	4.9	436	269	19	3.70	2.3	925	571	8.7	0.90	GR79R39 GRF79R39	4P	2.4	907	560	8.6	0.95	GR79R39 GRF79R39	4P	2.7	791	488	10	1.05			3.1	706	436	10	1.20			3.6	604	373	11	1.40			4.1	530	327	11	1.60			4.6	468	289	12	1.80			5.1	421	260	12	2.00			5.9	363	224	12	2.35			3.4	629	388	7.1	1.00	GR69R39 GRF69R39	4P	3.9	557	344	7.7	1.10			4.5	476	294	8.5	1.30			5.1	423	261	8.8	1.45			5.7	379	234	9.0	1.65			6.7	324	200	9.3	1.90			7.6	285	176	10	2.20			8.4	256	158	10	2.45			3.5	622	384	6.9	1.00	GR69R39 GRF69R39	4P	3.7	582	359	7.3	1.05			4.3	502	310	8.1	1.25			5.0	428	264	8.7	1.45			5.7	381	235	9.0	1.65			6.6	326	201	9.3	1.90			7.3	293	181	9.4	2.10			4.2	517	319	6.3	0.90			GR59R39 GRF59R39	4P	4.9	442	273	6.8	1.05			5.5	390	241	7.0	1.20			6.2	348	215	7.2	1.35			7.1	303	187	7.3	1.55			8.1	266	164	7.4	1.75			9.4	230	142	7.4	2.05			4.1	525	324	5.3	0.90			GR59R39 GRF59R39	4P	4.6	470	290	6.7	1.00			5.1	424	262	6.8	1.10																																																																																																																																																																																		
2.5	854	527	19	1.90			2.9	742	458	19	2.20	4.9	436	269	19	3.70	2.3	925	571	8.7	0.90	GR79R39 GRF79R39	4P	2.4	907	560	8.6	0.95	GR79R39 GRF79R39	4P	2.7	791	488	10	1.05			3.1	706	436	10	1.20			3.6	604	373	11	1.40			4.1	530	327	11	1.60			4.6	468	289	12	1.80			5.1	421	260	12	2.00			5.9	363	224	12	2.35			3.4	629	388	7.1	1.00	GR69R39 GRF69R39	4P	3.9	557	344	7.7	1.10			4.5	476	294	8.5	1.30			5.1	423	261	8.8	1.45			5.7	379	234	9.0	1.65			6.7	324	200	9.3	1.90			7.6	285	176	10	2.20			8.4	256	158	10	2.45			3.5	622	384	6.9	1.00	GR69R39 GRF69R39	4P	3.7	582	359	7.3	1.05			4.3	502	310	8.1	1.25			5.0	428	264	8.7	1.45			5.7	381	235	9.0	1.65			6.6	326	201	9.3	1.90			7.3	293	181	9.4	2.10			4.2	517	319	6.3	0.90			GR59R39 GRF59R39	4P	4.9	442	273	6.8	1.05			5.5	390	241	7.0	1.20			6.2	348	215	7.2	1.35			7.1	303	187	7.3	1.55			8.1	266	164	7.4	1.75			9.4	230	142	7.4	2.05			4.1	525	324	5.3	0.90			GR59R39 GRF59R39	4P	4.6	470	290	6.7	1.00			5.1	424	262	6.8	1.10																																																																																																																																																																																									
2.9	742	458	19	2.20	4.9	436	269	19	3.70	2.3	925	571	8.7	0.90	GR79R39 GRF79R39	4P	2.4	907	560	8.6	0.95	GR79R39 GRF79R39	4P	2.7	791	488	10	1.05			3.1	706	436	10	1.20			3.6	604	373	11	1.40			4.1	530	327	11	1.60			4.6	468	289	12	1.80			5.1	421	260	12	2.00			5.9	363	224	12	2.35			3.4	629	388	7.1	1.00	GR69R39 GRF69R39	4P	3.9	557	344	7.7	1.10			4.5	476	294	8.5	1.30			5.1	423	261	8.8	1.45			5.7	379	234	9.0	1.65			6.7	324	200	9.3	1.90			7.6	285	176	10	2.20			8.4	256	158	10	2.45			3.5	622	384	6.9	1.00	GR69R39 GRF69R39	4P	3.7	582	359	7.3	1.05			4.3	502	310	8.1	1.25			5.0	428	264	8.7	1.45			5.7	381	235	9.0	1.65			6.6	326	201	9.3	1.90			7.3	293	181	9.4	2.10			4.2	517	319	6.3	0.90			GR59R39 GRF59R39	4P	4.9	442	273	6.8	1.05			5.5	390	241	7.0	1.20			6.2	348	215	7.2	1.35			7.1	303	187	7.3	1.55			8.1	266	164	7.4	1.75			9.4	230	142	7.4	2.05			4.1	525	324	5.3	0.90			GR59R39 GRF59R39	4P	4.6	470	290	6.7	1.00			5.1	424	262	6.8	1.10																																																																																																																																																																																																
4.9	436	269	19	3.70	2.3	925	571	8.7	0.90	GR79R39 GRF79R39	4P	2.4	907	560	8.6	0.95	GR79R39 GRF79R39	4P	2.7	791	488			10	1.05	3.1	706	436			10	1.20	3.6	604	373			11	1.40	4.1	530	327			11	1.60	4.6	468	289			12	1.80	5.1	421	260			12	2.00	5.9	363	224			12	2.35	3.4	629	388	7.1	1.00	GR69R39 GRF69R39	4P	3.9	557	344			7.7	1.10	4.5	476	294			8.5	1.30	5.1	423	261			8.8	1.45	5.7	379	234			9.0	1.65	6.7	324	200			9.3	1.90	7.6	285	176			10	2.20	8.4	256	158			10	2.45	3.5	622	384	6.9	1.00	GR69R39 GRF69R39	4P	3.7	582	359			7.3	1.05	4.3	502	310			8.1	1.25	5.0	428	264			8.7	1.45	5.7	381	235			9.0	1.65	6.6	326	201			9.3	1.90	7.3	293	181			9.4	2.10	4.2	517	319			6.3	0.90	GR59R39 GRF59R39	4P	4.9	442	273			6.8	1.05	5.5	390	241			7.0	1.20	6.2	348	215			7.2	1.35	7.1	303	187			7.3	1.55	8.1	266	164			7.4	1.75	9.4	230	142			7.4	2.05	4.1	525	324			5.3	0.90	GR59R39 GRF59R39	4P	4.6	470	290			6.7	1.00	5.1	424	262			6.8	1.10																																																																																																																																																																																																			
2.3	925	571	8.7	0.90	GR79R39 GRF79R39	4P	2.4	907	560	8.6	0.95	GR79R39 GRF79R39	4P	2.7	791	488			10	1.05	3.1			706	436	10	1.20	3.6			604	373	11	1.40	4.1			530	327	11	1.60	4.6			468	289	12	1.80	5.1			421	260	12	2.00	5.9			363	224	12	2.35	3.4	629	388	7.1	1.00	GR69R39 GRF69R39	4P	3.9	557	344			7.7	1.10	4.5			476	294	8.5	1.30	5.1			423	261	8.8	1.45	5.7			379	234	9.0	1.65	6.7			324	200	9.3	1.90	7.6			285	176	10	2.20	8.4			256	158	10	2.45	3.5	622	384	6.9	1.00	GR69R39 GRF69R39	4P	3.7	582	359			7.3	1.05	4.3			502	310	8.1	1.25	5.0			428	264	8.7	1.45	5.7			381	235	9.0	1.65	6.6			326	201	9.3	1.90	7.3			293	181	9.4	2.10	4.2			517	319	6.3	0.90	GR59R39 GRF59R39	4P	4.9	442	273			6.8	1.05	5.5			390	241	7.0	1.20	6.2			348	215	7.2	1.35	7.1			303	187	7.3	1.55	8.1			266	164	7.4	1.75	9.4			230	142	7.4	2.05	4.1			525	324	5.3	0.90	GR59R39 GRF59R39	4P	4.6	470	290			6.7	1.00	5.1			424	262	6.8	1.10																																																																																																																																																																																																								
2.4	907	560	8.6	0.95	GR79R39 GRF79R39	4P	2.7	791	488	10	1.05			3.1	706	436			10	1.20	3.6			604	373	11	1.40	4.1			530	327	11	1.60	4.6			468	289	12	1.80	5.1			421	260	12	2.00	5.9			363	224	12	2.35	3.4	629	388	7.1	1.00	GR69R39 GRF69R39	4P	3.9	557	344	7.7	1.10			4.5	476	294			8.5	1.30	5.1			423	261	8.8	1.45	5.7			379	234	9.0	1.65	6.7			324	200	9.3	1.90	7.6			285	176	10	2.20	8.4			256	158	10	2.45	3.5	622	384	6.9	1.00	GR69R39 GRF69R39	4P	3.7	582	359	7.3	1.05			4.3	502	310			8.1	1.25	5.0			428	264	8.7	1.45	5.7			381	235	9.0	1.65	6.6			326	201	9.3	1.90	7.3			293	181	9.4	2.10	4.2			517	319	6.3	0.90	GR59R39 GRF59R39	4P	4.9	442	273	6.8	1.05			5.5	390	241			7.0	1.20	6.2			348	215	7.2	1.35	7.1			303	187	7.3	1.55	8.1			266	164	7.4	1.75	9.4			230	142	7.4	2.05	4.1			525	324	5.3	0.90	GR59R39 GRF59R39	4P	4.6	470	290	6.7	1.00			5.1	424	262			6.8	1.10																																																																																																																																																																																																															
2.7	791	488	10	1.05			3.1	706	436	10	1.20			3.6	604	373			11	1.40	4.1			530	327	11	1.60	4.6			468	289	12	1.80	5.1			421	260	12	2.00	5.9			363	224	12	2.35	3.4	629	388	7.1	1.00	GR69R39 GRF69R39	4P	3.9	557	344	7.7	1.10			4.5	476	294	8.5	1.30			5.1	423	261			8.8	1.45	5.7			379	234	9.0	1.65	6.7			324	200	9.3	1.90	7.6			285	176	10	2.20	8.4			256	158	10	2.45	3.5	622	384	6.9	1.00	GR69R39 GRF69R39	4P	3.7	582	359	7.3	1.05			4.3	502	310	8.1	1.25			5.0	428	264			8.7	1.45	5.7			381	235	9.0	1.65	6.6			326	201	9.3	1.90	7.3			293	181	9.4	2.10	4.2			517	319	6.3	0.90	GR59R39 GRF59R39	4P	4.9	442	273	6.8	1.05			5.5	390	241	7.0	1.20			6.2	348	215			7.2	1.35	7.1			303	187	7.3	1.55	8.1			266	164	7.4	1.75	9.4			230	142	7.4	2.05	4.1			525	324	5.3	0.90	GR59R39 GRF59R39	4P	4.6	470	290	6.7	1.00			5.1	424	262	6.8	1.10																																																																																																																																																																																																																								
3.1	706	436	10	1.20			3.6	604	373	11	1.40			4.1	530	327			11	1.60	4.6			468	289	12	1.80	5.1			421	260	12	2.00	5.9			363	224	12	2.35	3.4	629	388	7.1	1.00	GR69R39 GRF69R39	4P	3.9	557	344	7.7	1.10			4.5	476	294	8.5	1.30			5.1	423	261	8.8	1.45			5.7	379	234			9.0	1.65	6.7			324	200	9.3	1.90	7.6			285	176	10	2.20	8.4			256	158	10	2.45	3.5	622	384	6.9	1.00	GR69R39 GRF69R39	4P	3.7	582	359	7.3	1.05			4.3	502	310	8.1	1.25			5.0	428	264	8.7	1.45			5.7	381	235			9.0	1.65	6.6			326	201	9.3	1.90	7.3			293	181	9.4	2.10	4.2			517	319	6.3	0.90	GR59R39 GRF59R39	4P	4.9	442	273	6.8	1.05			5.5	390	241	7.0	1.20			6.2	348	215	7.2	1.35			7.1	303	187			7.3	1.55	8.1			266	164	7.4	1.75	9.4			230	142	7.4	2.05	4.1			525	324	5.3	0.90	GR59R39 GRF59R39	4P	4.6	470	290	6.7	1.00			5.1	424	262	6.8	1.10																																																																																																																																																																																																																															
3.6	604	373	11	1.40			4.1	530	327	11	1.60			4.6	468	289			12	1.80	5.1			421	260	12	2.00	5.9			363	224	12	2.35	3.4	629	388	7.1	1.00	GR69R39 GRF69R39	4P	3.9	557	344	7.7	1.10			4.5	476	294	8.5	1.30			5.1	423	261	8.8	1.45			5.7	379	234	9.0	1.65			6.7	324	200			9.3	1.90	7.6			285	176	10	2.20	8.4			256	158	10	2.45	3.5	622	384	6.9	1.00	GR69R39 GRF69R39	4P	3.7	582	359	7.3	1.05			4.3	502	310	8.1	1.25			5.0	428	264	8.7	1.45			5.7	381	235	9.0	1.65			6.6	326	201			9.3	1.90	7.3			293	181	9.4	2.10	4.2			517	319	6.3	0.90	GR59R39 GRF59R39	4P	4.9	442	273	6.8	1.05			5.5	390	241	7.0	1.20			6.2	348	215	7.2	1.35			7.1	303	187	7.3	1.55			8.1	266	164			7.4	1.75	9.4			230	142	7.4	2.05	4.1			525	324	5.3	0.90	GR59R39 GRF59R39	4P	4.6	470	290	6.7	1.00			5.1	424	262	6.8	1.10																																																																																																																																																																																																																																						
4.1	530	327	11	1.60			4.6	468	289	12	1.80			5.1	421	260			12	2.00	5.9			363	224	12	2.35	3.4	629	388	7.1	1.00	GR69R39 GRF69R39	4P	3.9	557	344	7.7	1.10			4.5	476	294	8.5	1.30			5.1	423	261	8.8	1.45			5.7	379	234	9.0	1.65			6.7	324	200	9.3	1.90			7.6	285	176			10	2.20	8.4			256	158	10	2.45	3.5	622	384	6.9	1.00	GR69R39 GRF69R39	4P	3.7	582	359	7.3	1.05			4.3	502	310	8.1	1.25			5.0	428	264	8.7	1.45			5.7	381	235	9.0	1.65			6.6	326	201	9.3	1.90			7.3	293	181			9.4	2.10	4.2			517	319	6.3	0.90	GR59R39 GRF59R39	4P	4.9	442	273	6.8	1.05			5.5	390	241	7.0	1.20			6.2	348	215	7.2	1.35			7.1	303	187	7.3	1.55			8.1	266	164	7.4	1.75			9.4	230	142			7.4	2.05	4.1			525	324	5.3	0.90	GR59R39 GRF59R39	4P	4.6	470	290	6.7	1.00			5.1	424	262	6.8	1.10																																																																																																																																																																																																																																													
4.6	468	289	12	1.80			5.1	421	260	12	2.00			5.9	363	224			12	2.35	3.4	629	388	7.1	1.00	GR69R39 GRF69R39	4P	3.9	557	344	7.7	1.10			4.5	476	294	8.5	1.30			5.1	423	261	8.8	1.45			5.7	379	234	9.0	1.65			6.7	324	200	9.3	1.90			7.6	285	176	10	2.20			8.4	256	158			10	2.45	3.5	622	384	6.9	1.00	GR69R39 GRF69R39	4P	3.7	582	359	7.3	1.05			4.3	502	310	8.1	1.25			5.0	428	264	8.7	1.45			5.7	381	235	9.0	1.65			6.6	326	201	9.3	1.90			7.3	293	181	9.4	2.10			4.2	517	319			6.3	0.90	GR59R39 GRF59R39	4P	4.9	442	273	6.8	1.05			5.5	390	241	7.0	1.20			6.2	348	215	7.2	1.35			7.1	303	187	7.3	1.55			8.1	266	164	7.4	1.75			9.4	230	142	7.4	2.05			4.1	525	324			5.3	0.90	GR59R39 GRF59R39	4P	4.6	470	290	6.7	1.00			5.1	424	262	6.8	1.10																																																																																																																																																																																																																																																				
5.1	421	260	12	2.00			5.9	363	224	12	2.35			3.4	629	388	7.1	1.00	GR69R39 GRF69R39	4P	3.9	557	344	7.7	1.10			4.5	476	294	8.5	1.30			5.1	423	261	8.8	1.45			5.7	379	234	9.0	1.65			6.7	324	200	9.3	1.90			7.6	285	176	10	2.20			8.4	256	158	10	2.45			3.5	622	384	6.9	1.00	GR69R39 GRF69R39	4P	3.7	582	359	7.3	1.05			4.3	502	310	8.1	1.25			5.0	428	264	8.7	1.45			5.7	381	235	9.0	1.65			6.6	326	201	9.3	1.90			7.3	293	181	9.4	2.10			4.2	517	319	6.3	0.90			GR59R39 GRF59R39	4P	4.9	442	273	6.8	1.05			5.5	390	241	7.0	1.20			6.2	348	215	7.2	1.35			7.1	303	187	7.3	1.55			8.1	266	164	7.4	1.75			9.4	230	142	7.4	2.05			4.1	525	324	5.3	0.90			GR59R39 GRF59R39	4P	4.6	470	290	6.7	1.00			5.1	424	262	6.8	1.10																																																																																																																																																																																																																																																											
5.9	363	224	12	2.35			3.4	629	388	7.1	1.00	GR69R39 GRF69R39	4P	3.9	557	344	7.7	1.10			4.5	476	294	8.5	1.30			5.1	423	261	8.8	1.45			5.7	379	234	9.0	1.65			6.7	324	200	9.3	1.90			7.6	285	176	10	2.20			8.4	256	158	10	2.45			3.5	622	384	6.9	1.00	GR69R39 GRF69R39	4P	3.7	582	359	7.3	1.05			4.3	502	310	8.1	1.25			5.0	428	264	8.7	1.45			5.7	381	235	9.0	1.65			6.6	326	201	9.3	1.90			7.3	293	181	9.4	2.10			4.2	517	319	6.3	0.90			GR59R39 GRF59R39	4P	4.9	442	273	6.8	1.05			5.5	390	241	7.0	1.20			6.2	348	215	7.2	1.35			7.1	303	187	7.3	1.55			8.1	266	164	7.4	1.75			9.4	230	142	7.4	2.05			4.1	525	324	5.3	0.90			GR59R39 GRF59R39	4P	4.6	470	290	6.7	1.00			5.1	424	262	6.8	1.10																																																																																																																																																																																																																																																																		
3.4	629	388	7.1	1.00	GR69R39 GRF69R39	4P	3.9	557	344	7.7	1.10			4.5	476	294	8.5	1.30			5.1	423	261	8.8	1.45			5.7	379	234	9.0	1.65			6.7	324	200	9.3	1.90			7.6	285	176	10	2.20			8.4	256	158	10	2.45			3.5	622	384	6.9	1.00	GR69R39 GRF69R39	4P	3.7	582	359	7.3	1.05			4.3	502	310	8.1	1.25			5.0	428	264	8.7	1.45			5.7	381	235	9.0	1.65			6.6	326	201	9.3	1.90			7.3	293	181	9.4	2.10			4.2	517	319	6.3	0.90			GR59R39 GRF59R39	4P	4.9	442	273	6.8	1.05			5.5	390	241	7.0	1.20			6.2	348	215	7.2	1.35			7.1	303	187	7.3	1.55			8.1	266	164	7.4	1.75			9.4	230	142	7.4	2.05			4.1	525	324	5.3	0.90			GR59R39 GRF59R39	4P	4.6	470	290	6.7	1.00			5.1	424	262	6.8	1.10																																																																																																																																																																																																																																																																									
3.9	557	344	7.7	1.10			4.5	476	294	8.5	1.30			5.1	423	261	8.8	1.45			5.7	379	234	9.0	1.65			6.7	324	200	9.3	1.90			7.6	285	176	10	2.20			8.4	256	158	10	2.45			3.5	622	384	6.9	1.00	GR69R39 GRF69R39	4P	3.7	582	359	7.3	1.05			4.3	502	310	8.1	1.25			5.0	428	264	8.7	1.45			5.7	381	235	9.0	1.65			6.6	326	201	9.3	1.90			7.3	293	181	9.4	2.10			4.2	517	319	6.3	0.90			GR59R39 GRF59R39	4P	4.9	442	273	6.8	1.05			5.5	390	241	7.0	1.20			6.2	348	215	7.2	1.35			7.1	303	187	7.3	1.55			8.1	266	164	7.4	1.75			9.4	230	142	7.4	2.05			4.1	525	324	5.3	0.90			GR59R39 GRF59R39	4P	4.6	470	290	6.7	1.00			5.1	424	262	6.8	1.10																																																																																																																																																																																																																																																																																
4.5	476	294	8.5	1.30			5.1	423	261	8.8	1.45			5.7	379	234	9.0	1.65			6.7	324	200	9.3	1.90			7.6	285	176	10	2.20			8.4	256	158	10	2.45			3.5	622	384	6.9	1.00	GR69R39 GRF69R39	4P	3.7	582	359	7.3	1.05			4.3	502	310	8.1	1.25			5.0	428	264	8.7	1.45			5.7	381	235	9.0	1.65			6.6	326	201	9.3	1.90			7.3	293	181	9.4	2.10			4.2	517	319	6.3	0.90			GR59R39 GRF59R39	4P	4.9	442	273	6.8	1.05			5.5	390	241	7.0	1.20			6.2	348	215	7.2	1.35			7.1	303	187	7.3	1.55			8.1	266	164	7.4	1.75			9.4	230	142	7.4	2.05			4.1	525	324	5.3	0.90			GR59R39 GRF59R39	4P	4.6	470	290	6.7	1.00			5.1	424	262	6.8	1.10																																																																																																																																																																																																																																																																																							
5.1	423	261	8.8	1.45			5.7	379	234	9.0	1.65			6.7	324	200	9.3	1.90			7.6	285	176	10	2.20			8.4	256	158	10	2.45			3.5	622	384	6.9	1.00	GR69R39 GRF69R39	4P	3.7	582	359	7.3	1.05			4.3	502	310	8.1	1.25			5.0	428	264	8.7	1.45			5.7	381	235	9.0	1.65			6.6	326	201	9.3	1.90			7.3	293	181	9.4	2.10			4.2	517	319	6.3	0.90			GR59R39 GRF59R39	4P	4.9	442	273	6.8	1.05			5.5	390	241	7.0	1.20			6.2	348	215	7.2	1.35			7.1	303	187	7.3	1.55			8.1	266	164	7.4	1.75			9.4	230	142	7.4	2.05			4.1	525	324	5.3	0.90			GR59R39 GRF59R39	4P	4.6	470	290	6.7	1.00			5.1	424	262	6.8	1.10																																																																																																																																																																																																																																																																																														
5.7	379	234	9.0	1.65			6.7	324	200	9.3	1.90			7.6	285	176	10	2.20			8.4	256	158	10	2.45			3.5	622	384	6.9	1.00	GR69R39 GRF69R39	4P	3.7	582	359	7.3	1.05			4.3	502	310	8.1	1.25			5.0	428	264	8.7	1.45			5.7	381	235	9.0	1.65			6.6	326	201	9.3	1.90			7.3	293	181	9.4	2.10			4.2	517	319	6.3	0.90			GR59R39 GRF59R39	4P	4.9	442	273	6.8	1.05			5.5	390	241	7.0	1.20			6.2	348	215	7.2	1.35			7.1	303	187	7.3	1.55			8.1	266	164	7.4	1.75			9.4	230	142	7.4	2.05			4.1	525	324	5.3	0.90			GR59R39 GRF59R39	4P	4.6	470	290	6.7	1.00			5.1	424	262	6.8	1.10																																																																																																																																																																																																																																																																																																					
6.7	324	200	9.3	1.90			7.6	285	176	10	2.20			8.4	256	158	10	2.45			3.5	622	384	6.9	1.00	GR69R39 GRF69R39	4P	3.7	582	359	7.3	1.05			4.3	502	310	8.1	1.25			5.0	428	264	8.7	1.45			5.7	381	235	9.0	1.65			6.6	326	201	9.3	1.90			7.3	293	181	9.4	2.10			4.2	517	319	6.3	0.90			GR59R39 GRF59R39	4P	4.9	442	273	6.8	1.05			5.5	390	241	7.0	1.20			6.2	348	215	7.2	1.35			7.1	303	187	7.3	1.55			8.1	266	164	7.4	1.75			9.4	230	142	7.4	2.05			4.1	525	324	5.3	0.90			GR59R39 GRF59R39	4P	4.6	470	290	6.7	1.00			5.1	424	262	6.8	1.10																																																																																																																																																																																																																																																																																																												
7.6	285	176	10	2.20			8.4	256	158	10	2.45			3.5	622	384	6.9	1.00	GR69R39 GRF69R39	4P	3.7	582	359	7.3	1.05			4.3	502	310	8.1	1.25			5.0	428	264	8.7	1.45			5.7	381	235	9.0	1.65			6.6	326	201	9.3	1.90			7.3	293	181	9.4	2.10			4.2	517	319	6.3	0.90			GR59R39 GRF59R39	4P	4.9	442	273	6.8	1.05			5.5	390	241	7.0	1.20			6.2	348	215	7.2	1.35			7.1	303	187	7.3	1.55			8.1	266	164	7.4	1.75			9.4	230	142	7.4	2.05			4.1	525	324	5.3	0.90			GR59R39 GRF59R39	4P	4.6	470	290	6.7	1.00			5.1	424	262	6.8	1.10																																																																																																																																																																																																																																																																																																																			
8.4	256	158	10	2.45			3.5	622	384	6.9	1.00	GR69R39 GRF69R39	4P	3.7	582	359	7.3	1.05			4.3	502	310	8.1	1.25			5.0	428	264	8.7	1.45			5.7	381	235	9.0	1.65			6.6	326	201	9.3	1.90			7.3	293	181	9.4	2.10			4.2	517	319	6.3	0.90			GR59R39 GRF59R39	4P	4.9	442	273	6.8	1.05			5.5	390	241	7.0	1.20			6.2	348	215	7.2	1.35			7.1	303	187	7.3	1.55			8.1	266	164	7.4	1.75			9.4	230	142	7.4	2.05			4.1	525	324	5.3	0.90			GR59R39 GRF59R39	4P	4.6	470	290	6.7	1.00			5.1	424	262	6.8	1.10																																																																																																																																																																																																																																																																																																																										
3.5	622	384	6.9	1.00	GR69R39 GRF69R39	4P	3.7	582	359	7.3	1.05			4.3	502	310	8.1	1.25			5.0	428	264	8.7	1.45			5.7	381	235	9.0	1.65			6.6	326	201	9.3	1.90			7.3	293	181	9.4	2.10			4.2	517	319	6.3	0.90			GR59R39 GRF59R39	4P	4.9	442	273	6.8	1.05			5.5	390	241	7.0	1.20			6.2	348	215	7.2	1.35			7.1	303	187	7.3	1.55			8.1	266	164	7.4	1.75			9.4	230	142	7.4	2.05			4.1	525	324	5.3	0.90			GR59R39 GRF59R39	4P	4.6	470	290	6.7	1.00			5.1	424	262	6.8	1.10																																																																																																																																																																																																																																																																																																																																	
3.7	582	359	7.3	1.05			4.3	502	310	8.1	1.25			5.0	428	264	8.7	1.45			5.7	381	235	9.0	1.65			6.6	326	201	9.3	1.90			7.3	293	181	9.4	2.10			4.2	517	319	6.3	0.90			GR59R39 GRF59R39	4P	4.9	442	273	6.8	1.05			5.5	390	241	7.0	1.20			6.2	348	215	7.2	1.35			7.1	303	187	7.3	1.55			8.1	266	164	7.4	1.75			9.4	230	142	7.4	2.05			4.1	525	324	5.3	0.90			GR59R39 GRF59R39	4P	4.6	470	290	6.7	1.00			5.1	424	262	6.8	1.10																																																																																																																																																																																																																																																																																																																																								
4.3	502	310	8.1	1.25			5.0	428	264	8.7	1.45			5.7	381	235	9.0	1.65			6.6	326	201	9.3	1.90			7.3	293	181	9.4	2.10			4.2	517	319	6.3	0.90			GR59R39 GRF59R39	4P	4.9	442	273	6.8	1.05			5.5	390	241	7.0	1.20			6.2	348	215	7.2	1.35			7.1	303	187	7.3	1.55			8.1	266	164	7.4	1.75			9.4	230	142	7.4	2.05			4.1	525	324	5.3	0.90			GR59R39 GRF59R39	4P	4.6	470	290	6.7	1.00			5.1	424	262	6.8	1.10																																																																																																																																																																																																																																																																																																																																															
5.0	428	264	8.7	1.45			5.7	381	235	9.0	1.65			6.6	326	201	9.3	1.90			7.3	293	181	9.4	2.10			4.2	517	319	6.3	0.90			GR59R39 GRF59R39	4P	4.9	442	273	6.8	1.05			5.5	390	241	7.0	1.20			6.2	348	215	7.2	1.35			7.1	303	187	7.3	1.55			8.1	266	164	7.4	1.75			9.4	230	142	7.4	2.05			4.1	525	324	5.3	0.90			GR59R39 GRF59R39	4P	4.6	470	290	6.7	1.00			5.1	424	262	6.8	1.10																																																																																																																																																																																																																																																																																																																																																						
5.7	381	235	9.0	1.65			6.6	326	201	9.3	1.90			7.3	293	181	9.4	2.10			4.2	517	319	6.3	0.90			GR59R39 GRF59R39	4P	4.9	442	273	6.8	1.05			5.5	390	241	7.0	1.20			6.2	348	215	7.2	1.35			7.1	303	187	7.3	1.55			8.1	266	164	7.4	1.75			9.4	230	142	7.4	2.05			4.1	525	324	5.3	0.90			GR59R39 GRF59R39	4P	4.6	470	290	6.7	1.00			5.1	424	262	6.8	1.10																																																																																																																																																																																																																																																																																																																																																													
6.6	326	201	9.3	1.90			7.3	293	181	9.4	2.10			4.2	517	319	6.3	0.90			GR59R39 GRF59R39	4P	4.9	442	273	6.8	1.05			5.5	390	241	7.0	1.20			6.2	348	215	7.2	1.35			7.1	303	187	7.3	1.55			8.1	266	164	7.4	1.75			9.4	230	142	7.4	2.05			4.1	525	324	5.3	0.90			GR59R39 GRF59R39	4P	4.6	470	290	6.7	1.00			5.1	424	262	6.8	1.10																																																																																																																																																																																																																																																																																																																																																																				
7.3	293	181	9.4	2.10			4.2	517	319	6.3	0.90			GR59R39 GRF59R39	4P	4.9	442	273	6.8	1.05			5.5	390	241	7.0	1.20			6.2	348	215	7.2	1.35			7.1	303	187	7.3	1.55			8.1	266	164	7.4	1.75			9.4	230	142	7.4	2.05			4.1	525	324	5.3	0.90			GR59R39 GRF59R39	4P	4.6	470	290	6.7	1.00			5.1	424	262	6.8	1.10																																																																																																																																																																																																																																																																																																																																																																											
4.2	517	319	6.3	0.90			GR59R39 GRF59R39	4P	4.9	442	273	6.8	1.05			5.5	390	241	7.0	1.20			6.2	348	215	7.2	1.35			7.1	303	187	7.3	1.55			8.1	266	164	7.4	1.75			9.4	230	142	7.4	2.05			4.1	525	324	5.3	0.90			GR59R39 GRF59R39	4P	4.6	470	290	6.7	1.00			5.1	424	262	6.8	1.10																																																																																																																																																																																																																																																																																																																																																																																		
4.9	442	273	6.8	1.05	5.5	390			241	7.0	1.20	6.2	348			215	7.2	1.35	7.1	303			187	7.3	1.55	8.1	266			164	7.4	1.75	9.4	230			142	7.4	2.05	4.1	525			324	5.3	0.90	GR59R39 GRF59R39	4P			4.6	470	290	6.7	1.00	5.1	424			262	6.8	1.10																																																																																																																																																																																																																																																																																																																																																																																											
5.5	390	241	7.0	1.20	6.2	348			215	7.2	1.35	7.1	303			187	7.3	1.55	8.1	266			164	7.4	1.75	9.4	230			142	7.4	2.05	4.1	525			324	5.3	0.90	GR59R39 GRF59R39	4P			4.6	470	290			6.7	1.00	5.1	424	262	6.8	1.10																																																																																																																																																																																																																																																																																																																																																																																																		
6.2	348	215	7.2	1.35	7.1	303			187	7.3	1.55	8.1	266			164	7.4	1.75	9.4	230			142	7.4	2.05	4.1	525			324	5.3	0.90	GR59R39 GRF59R39	4P			4.6	470	290			6.7	1.00	5.1	424	262			6.8	1.10																																																																																																																																																																																																																																																																																																																																																																																																							
7.1	303	187	7.3	1.55	8.1	266			164	7.4	1.75	9.4	230			142	7.4	2.05	4.1	525			324	5.3	0.90	GR59R39 GRF59R39	4P			4.6	470	290			6.7	1.00	5.1	424	262			6.8	1.10																																																																																																																																																																																																																																																																																																																																																																																																														
8.1	266	164	7.4	1.75	9.4	230			142	7.4	2.05	4.1	525			324	5.3	0.90	GR59R39 GRF59R39	4P			4.6	470	290			6.7	1.00	5.1	424	262			6.8	1.10																																																																																																																																																																																																																																																																																																																																																																																																																					
9.4	230	142	7.4	2.05	4.1	525			324	5.3	0.90	GR59R39 GRF59R39	4P			4.6	470	290			6.7	1.00	5.1	424	262			6.8	1.10																																																																																																																																																																																																																																																																																																																																																																																																																												
4.1	525	324	5.3	0.90	GR59R39 GRF59R39	4P			4.6	470	290			6.7	1.00	5.1	424	262			6.8	1.10																																																																																																																																																																																																																																																																																																																																																																																																																																			
4.6	470	290	6.7	1.00			5.1	424	262	6.8	1.10																																																																																																																																																																																																																																																																																																																																																																																																																																														
5.1	424	262	6.8	1.10																																																																																																																																																																																																																																																																																																																																																																																																																																																					

选型参数表
(恒功率) 0.25kW
Selection Table
(Constant Power) 0.25kW

n_a [r/min]	M_a [Nm]	i	F_{Ra} [kN]	f_B	机型号 Type size	极数 Pole	n_a [r/min]	M_a [Nm]	i	F_{Ra} [kN]	f_B	机型号 Type size	极数 Pole		
0.25kW							0.25kW								
5.4	399	246	7.0	1.15	GR59R39	4P	7.1	319	186.89	7.1	1.30	GR59 GRF59	4P		
6.0	356	220	7.1	1.30	GRF59R39		7.7	294	172.17	7.2	1.40				
5.8	369	228	2.9	0.85	GR49R39	9.0	252	147.92	7.3	1.65					
6.8	316	195	5.1	1.00		GRF49R39	10	220	128.77	7.4	1.90				
7.3	295	182	5.2	1.05	GR39R19	11	206	120.63	7.4	2.00					
8.6	249	154	5.4	1.25		GRF39R19	12	182	106.58	7.5	2.30				
8.9	243	150	3.2	0.85		GRF39R19	13	169	98.99	7.5	2.50				
10	211	130	4.6	1.00		GRF39R19	15	153	89.71	7.5	2.70				
11	201	124	4.8	1.05		GRF39R19	17	137	80.55	7.5	3.00				
12	178	110	5.0	1.15		GRF39R19	19	118	69.23	7.6	3.50				
14	152	94	5.2	1.35		GRF39R19	7.5	302	176.88	5.0	0.90				
8.5	253	156	2.2	0.80		GRF39R19	8.2	278	162.94	5.1	1.00				
9.9	219	135	4.5	0.95	GRF39R19	9.5	239	139.99	5.3	1.15					
10.5	206	127	4.6	1.00	GRF39R19	11	208	121.87	5.5	1.35					
12.8	168	104	5.0	1.25	GRF39R19	12	195	114.17	5.5	1.45					
14.8	146	90	5.2	1.40	GRF39R19	13	172	100.86	5.6	1.60					
2.2	1027	289.74	27	3.00	GR99	8P	14	160	93.68	5.6	1.75	GR49 GRF49	4P		
2.5	906	255.71	27	3.30			GRF99	16	145	84.90	5.7			1.90	
2.7	855	241.25	27	3.50			GRF99	17	130	76.23	5.7			2.10	
3.0	766	216.28	27	4.00	GRF99	19	117	68.54	5.7	2.40					
2.6	878	247.61	19	1.80	GR89	8P	21	110	64.21	5.8	2.50				
2.9	771	217.48	19	2.00			GRF89	23	97	56.73	5.8			2.90	
3.1	732	206.6	19	2.20			GRF89	25	90	52.69	5.8			3.10	
3.5	647	182.55	19	2.40	GRF89	28	81	47.75	5.8	3.40					
3.8	590	166.59	11	1.40	GR79	8P	9.9	230	134.82	2.5	0.80			GR39 GRF39	4P
4.4	516	145.67	11	1.60			GRF79	11	211	123.66	4.3				
4.6	490	138.39	11	1.70			GRF79	13	180	105.28	4.8	1.05			
5.3	430	121.42	12	1.90	GRF79	15	155	90.77	5.1	1.20					
4.4	521	195.24	11	1.55	GRF79	16	144	84.61	5.1	1.30					
5.1	445	166.59	12	1.80	GRF79	18	126	73.96	5.3	1.45					
5.8	389	145.67	12	2.10	GRF79	19	118	69.33	5.4	1.55					
6.8	333	195.24	12	2.30	GRF79	22	104	61.18	5.5	1.80					
8.0	284	166.59	12	2.70	GRF79	24	95	55.76	5.5	1.95					
9.1	248	145.67	12	3.10	GRF79	28	82	48.08	5.6	2.30					
9.6	236	138.39	12	3.20	GRF79	30	76	44.81	5.5	2.40					
11	207	121.42	12	3.70	GRF79	34	67	39.17	5.3	2.80					
4.0	560	158.14	7.7	1.10	GR69	8P	36	63	36.72	5.2	3.00	GR29 GRF29	4P		
4.6	488	137.67	8.3	1.25			GRF69	41	55	32.40	5.0			3.40	
5.0	457	128.97	8.5	1.35			GRF69	16	145	84.78	3.9			0.85	
5.6	404	113.94	8.9	1.50			GRF69	18	126	74.11	4.0			0.95	
4.3	533	199.81	7.8	1.10	GR69	6P	19	118	69.47	4.0	1.00				
4.6	491	184.07	8.2	1.20			GRF69	22	105	61.30	4.0			1.15	
5.4	422	158.14	8.7	1.40			GRF69	24	95	55.87	3.9			1.25	
6.2	367	137.67	9.0	1.60			GRF69	28	82	48.17	3.7			1.45	
6.6	344	128.97	9.1	1.70			GRF69	30	77	44.90	3.7			1.60	
7.5	304	113.94	9.3	1.95			GRF69	34	67	39.25	3.5			1.80	
8.0	282	105.83	9.4	2.10			GRF69	36	63	36.79	3.5	1.90			
6.7	341	199.81	9.1	1.65			GRF69	41	55	32.47	3.4	2.20			
7.2	314	184.07	9.2	1.80	GRF69	46	49	28.78	3.2	2.50					
8.4	270	158.14	9.4	2.10	GRF69	54	42	24.47	3.1	2.90					
9.7	235	137.67	10	2.40	GR69	4P	47	48	28.37	3.2	2.50				
10	220	128.97	10	2.50			GRF69	51	44	26.09	3.2	2.70			
12	194	113.94	10	2.90			GRF69	60	38	22.32	3.0	3.20			
13	180	105.83	10	3.10			GRF69	69	33	19.35	2.9	3.70			
14	164	95.91	10	3.40			GRF69	74	31	18.08	2.8	3.90			
15	147	86.11	10	3.80			GRF69	85	27	15.63	2.7	4.50			
4.5	499	186.89	6.1	0.90			GR59	6P	100	23	13.28	2.6	5.30		
4.9	459	172.17	6.7	0.95					GRF59	112	20	11.86	2.5	5.90	
5.7	395	147.92	6.9	1.10	GRF59	131			17	10.13	2.4	6.60			
6.6	344	128.77	7.1	1.30	GRF59	141			16	9.41	2.3	7.10			
7.0	322	120.63	7.2	1.35	GRF59	163			14	8.16	2.2	7.70			
8.0	284	106.58	7.3	1.55	GRF59	174			13	7.63	2.2	8.00			
8.6	264	98.99	7.3	1.70	GRF59	202			11	6.59	2.1	8.80			
					GRF59	238			9.6	5.60	2.0	9.60			
							266	8.5	5.00	1.9	10				

选型参数表

(恒功率) 0.25kW-0.37kW

Selection Table

(Constant Power) 0.25kW-0.37kW

n _a [r/min]	M _a [Nm]	i	F _{Ra} [kN]	f _B	机型号 Type size	极数 Pole	n _a [r/min]	M _a [Nm]	i	F _{Ra} [kN]	f _B	机型号 Type size	极数 Pole
0.25kW							0.37kW						
311	7.3	4.27	1.8	11	GR29	4P	0.18	17520	7307	37	0.80	GR149R79 GRF149R79	4P
333	6.8	4.00	1.8	12	GRF29		0.21	15458	6447	58	0.90		
395	5.7	3.37	1.7	13			0.24	13351	5568	61	1.05		
23	98	57.35	0.1	0.80	GR19 GRF19	4P	0.27	11811	4926	63	1.15		
25	92	53.76	0.7	0.85			0.31	10370	4325	65	1.30		
28	81	47.44	1.5	1.00			0.35	9001	3754	67	1.55		
30	75	44.18	1.9	1.05			0.40	7917	3302	68	1.75		
34	66	38.61	2.1	1.20			0.46	6949	2898	68	1.95		
37	62	36.20	2.1	1.30			0.30	10703	4464	39	0.80		
42	54	31.94	2.0	1.45			0.34	9418	3928	49	0.90		
47	48	28.32	2.0	1.65			0.33	9634	4018	46	0.85		
55	41	24.07	1.9	1.90	0.38	8426	3514	51	1.00				
53	42	25.23	1.9	1.85	GR19 GRF19	4P	0.40	8004	3338	52	1.05	GR139R79 GRF139R79	4P
57	38	23.15	1.9	2.00			0.45	7023	2929	53	1.20		
67	33	19.71	1.8	2.30			0.54	5956	2484	55	1.40		
78	28	16.99	1.7	2.70			0.59	5376	2242	55	1.55		
84	26	15.84	1.7	2.90			0.50	6373	2658	54	1.30		
96	23	13.84	1.7	3.30			0.55	5783	2412	55	1.45		
102	21	12.98	1.6	3.60			0.64	4970	2073	56	1.70		
116	19	11.45	1.6	3.90			0.72	4409	1839	57	1.90		
131	17	10.15	1.5	4.10			0.95	3350	1397	57	2.50		
154	14	8.63	1.5	4.60			1.1	2940	1226	58	2.85		
176	12	7.55	1.4	4.00	1.2	2614	1090	58	3.20				
189	12	7.04	1.3	4.30	1.4	2280	951	58	3.65				
216	10	6.15	1.3	4.80	0.64	4956	2067	26	0.90				
231	9.5	5.76	1.3	5.00	0.79	4059	1693	30	1.10				
261	8.4	5.09	1.2	5.50	0.86	3716	1550	32	1.20				
295	7.4	4.51	1.2	5.80	0.95	3374	1407	33	1.35				
347	6.3	3.83	1.1	6.40	1.1	2899	1209	34	1.55				
442	5.0	6.15	1.1	9.80	1.3	2530	1055	35	1.75				
472	4.7	5.76	1.0	10.00	0.67	4764	1987	28	0.95				
534	4.1	5.09	1.0	11.00	0.73	4381	1827	30	1.00				
603	3.6	4.51	1.0	12.00	0.83	3834	1599	32	1.15				
710	3.1	3.83	0.9	13.00	0.95	3357	1400	33	1.35				
140	17	6.07	4.6	2.60	1.1	2940	1226	34	1.50				
164	14	5.18	4.4	5.40	1.4	2251	939	35	2.00				
188	12	4.53	4.2	6.70	1.6	1971	822	35	2.25				
198	12	4.30	4.2	6.80	0.93	3438	1434	4.2	0.90				
219	11	6.07	4.1	3.90	1.1	2894	1207	22	1.10				
257	9.1	5.18	3.9	7.90	1.2	2599	1084	23	1.20				
294	7.9	4.53	3.7	9.90	0.95	3347	1396	15	0.95				
309	7.5	4.30	3.7	10.00	1.1	2944	1228	22	1.05				
353	6.6	3.77	3.5	13.00	1.2	2563	1069	23	1.20				
416	5.6	3.20	3.3	17.00	1.4	2249	938	25	1.40				
460	5.1	2.89	3.2	20.00	1.6	1976	824	26	1.60				
524	4.4	2.54	3.1	25.00	1.8	1767	737	26	1.75				
554	4.2	2.40	3.0	28.00	2.1	1515	632	26	2.00				
652	3.6	2.04	2.9	35.00	3.1	1033	431	27	3.00				
155	15	5.50	3.6	2.60	3.5	909	379	27	3.45				
168	14	5.07	3.6	2.60	4.0	806	336	27	3.90				
195	12	4.35	3.4	5.80	1.7	1933	806	14	0.85				
224	10	3.79	3.2	6.70	1.8	1817	758	15	0.90				
242	9.6	5.50	3.2	3.90	2.0	1563	652	17	1.05				
262	8.9	5.07	3.1	3.90	1.7	1870	780	15	0.85				
306	7.6	4.35	3.0	8.50	1.9	1650	688	16	1.00				
351	6.6	3.79	2.9	9.90	2.2	1441	601	17	1.10				
375	6.2	3.55	2.8	11.00	2.5	1264	527	18	1.30				
424	5.5	3.14	2.7	11.00	2.9	1098	458	19	1.45				
457	5.1	2.91	2.6	13.00	4.9	645	269	19	2.50				
504	4.6	2.64	2.5	14.00	5.6	568	237	19	2.85				
561	4.1	2.37	2.5	16.00	2.5	1295	540	18	1.25				
652	3.6	2.04	2.3	19.00	2.8	1137	474	19	1.45				
693	3.4	1.92	2.3	20.00	3.3	964	402	19	1.70				
806	2.9	1.65	2.2	23.00	3.7	870	363	19	1.85				

选型参数表
(恒功率) 0.37kW
Selection Table
(Constant Power) 0.37kW

n_a [r/min]	M_a [Nm]	i	F_{Ra} [kN]	f_B	机型号 Type size	极数 Pole	n_a [r/min]	M_a [Nm]	i	F_{Ra} [kN]	f_B	机型号 Type size	极数 Pole	
0.37kW							0.37kW							
3.1	1045	436	5.1	0.80			7.1	472	186.89	6.6	0.95			
3.6	894	373	9.2	0.95			7.7	435	172.17	6.8	1.00			
4.1	784	327	10	1.10			9.0	373	147.92	7.0	1.20			
4.6	693	289	11	1.25	GR79R39	4P	10	325	128.77	7.2	1.35			
5.1	623	260	11	1.40	GRF79R39		11	304	120.63	7.2	1.45			
5.9	537	224	11	1.60				12	269	106.58	7.3	1.65	GR59 GRF59	4P
6.8	472	197	12	1.80				13	250	98.99	7.4	1.80		
7.9	405	169	12	2.10				15	226	89.71	7.4	1.95		
8.9	357	149	12	2.40				17	203	80.55	7.4	2.20		
4.5	705	294	5.9	0.90				19	175	69.23	7.5	2.50		
5.1	626	261	7.3	1.00	GR69R39		4P	21	164	64.85	7.5	2.70		
5.7	561	234	7.9	1.10	GRF69R39	23		145	57.29	7.4	3.10			
6.7	480	200	8.6	1.30				25	134	53.22	7.2	3.30		
2.6	1301	255.71	27	2.30				28	122	48.23	7.0	3.60		
2.7	1227	241.25	27	2.40	GR99	8P	9.5	353	139.99	3.3	0.85			
3.1	1100	216.28	27	2.70	GRF99		11	308	121.87	5.1	0.95			
3.5	948	186.30	27	3.10				12	288	114.17	5.2	1.05		
3.1	1093	289.74	27	2.70			13	255	100.86	5.3	1.15			
3.5	964	255.71	27	3.00	GR99	6P	14	236	93.68	5.4	1.25			
3.7	910	241.25	27	3.25	GRF99		16	214	84.90	5.5	1.40			
4.1	816	216.28	27	3.65				17	192	76.23	5.6	1.55	GR49 GRF49	4P
3.0	1106	217.48	18	1.40	GR89		19	173	68.54	5.6	1.70			
3.2	1051	206.60	19	1.50	GRF89	21	162	64.21	5.7	1.80				
3.6	929	182.55	19	1.70			23	143	56.73	5.7	2.10			
3.6	934	247.61	19	1.65			25	133	52.69	5.7	2.20			
4.1	820	217.48	19	1.85	GR89	6P	28	121	47.75	5.5	2.50			
4.3	779	206.60	19	1.95	GRF89		31	108	42.87	5.4	2.70			
4.9	689	182.55	19	2.25				36	93	36.93	5.1	3.20		
5.7	588	156.01	19	2.60				38	88	34.73	5.0	3.40		
6.2	539	143.03	19	2.85			39	85	33.79	5.0	2.80			
4.5	741	145.67	10	1.10	GR79	8P	43	79	31.12	4.9	2.80			
4.8	704	138.39	10	1.15	GRF79		50	67	26.74	4.7	4.40			
5.4	618	121.42	11	1.35				57	59	23.28	4.5	5.00		
5.3	628	166.59	11	1.30	GR79		6P	61	55	21.81	4.4	5.40		
6.1	549	145.67	11	1.50	GRF79	15		229	90.77	4.0	0.85			
6.4	522	138.39	11	1.55				16	214	84.61	4.5	0.90		
6.8	493	195.24	11	1.70				18	187	73.96	4.8	1.05		
8.0	420	166.59	12	2.00			19	175	69.33	4.9	1.15			
9.1	368	145.67	12	2.20	GR79	4P	22	154	61.18	5.1	1.30			
9.6	349	138.39	12	2.30	GRF79		24	141	55.76	5.3	1.40			
11	306	121.42	12	2.60				28	121	48.08	5.3	1.60		
13	260	102.99	12	3.10				30	113	44.81	5.2	1.75		
14	235	92.97	12	3.50				34	99	39.17	5.0	2.00		
5.6	596	158.14	6.9	0.95				36	93	36.72	4.9	2.10		
6.5	519	137.67	7.8	1.10	GR69		6P	41	82	32.40	4.8	2.40		
6.9	486	128.97	8.1	1.20	GRF69			46	73	28.73	4.6	2.70		
7.8	430	113.94	8.6	1.35				54	62	24.42	4.4	3.20		
6.7	483	199.81	8.1	1.15				47	71	28.32	4.6	2.80		
7.2	445	184.07	8.4	1.25			51	66	26.03	4.5	2.80			
8.4	382	158.14	8.8	1.50			60	56	22.27	4.3	3.50			
9.7	347	137.67	9.1	1.70			69	49	19.31	4.1	4.10			
10	326	128.97	9.3	1.80			74	46	18.05	4.0	4.30			
12	288	113.94	9.4	2.10			85	39	15.60	3.8	5.00			
13	267	105.83	10	2.20	GR69	4P	100	33	13.25	3.7	5.60			
14	242	95.91	10	2.40	GRF69		112	30	11.83	3.5	6.00			
15	217	86.11	10	2.70				22	155	61.30	3.7	0.85		
18	187	74.17	10	3.20				24	141	55.87	3.6	0.90		
19	176	69.75	10	3.40			28	122	48.17	3.5	1.05			
22	155	61.26	13	3.80			30	113	44.90	3.4	1.15			
23	144	56.89	10	4.10			34	99	39.25	3.3	1.30			
6.9	486	128.77	6.2	0.90			36	93	36.79	3.3	1.40			
7.4	455	120.63	6.7	0.95	GR59	6P	41	82	32.47	3.2	1.55			
8.4	402	106.58	6.9	1.10	GRF59		46	73	28.78	3.1	1.75			
9.0	373	98.99	7.0	1.15				54	62	24.47	3.0	2.10		

选型参数表

(恒功率) 0.37kW-0.55kW

Selection Table

(Constant Power) 0.37kW-0.55kW

n_a [r/min]	M_a [Nm]	i	F_{Ra} [kN]	f_B	机型号 Type size	极数 Pole	n_a [r/min]	M_a [Nm]	i	F_{Ra} [kN]	f_B	机型号 Type size	极数 Pole																																																																																																																																																																																																																																																																																																																																																																																																																																																																																																																																																																																																																																																																																																																																																																																																																																																						
0.37kW							0.37kW																																																																																																																																																																																																																																																																																																																																																																																																																																																																																																																																																																																																																																																																																																																																																																																																																																																												
47	72	28.37	3.1	1.80	GR29 GRF29	4P	375	9.2	3.55	2.7	7.60	GRX59 GRXF59	4P																																																																																																																																																																																																																																																																																																																																																																																																																																																																																																																																																																																																																																																																																																																																																																																																																																																						
51	66	26.09	3.0	1.95			60	56	22.32	2.9	2.30			69	49	19.35	2.8	2.60	74	46	18.08	2.7	2.80	85	39	15.63	2.6	3.20	100	34	13.28	2.5	3.80	34	97	38.61	0.7	0.85	GR19 GRF19	4P	806	4.3	1.65	2.1	16	0.55kW	37	91	36.20	1.2	0.90	42	81	31.94	1.8	1.05	47	71	28.32	1.8	1.15	55	61	24.07	1.7	1.40	53	62	25.23	1.7	1.30	0.11	42568	12482	128	0.9	GR179R99 GRF179R99	4P	57	57	23.15	1.7	1.45	0.13	36402	10674	128	1.0	67	48	19.71	1.7	1.70	0.16	30175	8848	128	1.2	78	42	16.99	1.6	1.95	0.25	18873	5534	128	1.9	0.28	16758	4914	128	2.2	84	39	15.84	1.6	2.10	0.23	20725	6077	114	0.85	0.26	18440	5407	114	0.95	GR169R99 GRF169R99	4P	96	34	13.84	1.5	2.40	0.26	18440	5407	114	0.95	0.30	15858	4650	114	1.10	GR149R79 GRF149R79	4P	102	32	12.98	1.5	2.60	0.34	14081	4129	114	1.25	0.28	16250	4926	25	0.80	116	28	11.45	1.5	2.80	0.28	16250	4926	25	0.80	0.32	14750	4325	53	0.85	131	25	10.15	1.4	3.00	0.32	14750	4325	53	0.85	0.37	12802	3754	60	1.05	154	21	8.63	1.4	3.30	0.37	12802	3754	60	1.05	0.42	11261	3302	63	1.15	176	18	7.55	1.3	2.90	0.48	9883	2898	65	1.30	0.48	9883	2898	65	1.30	GR149R79 GRF149R79	4P	189	17	7.04	1.3	3.10	0.54	8713	2555	66	1.50	0.54	8713	2555	66	1.50	216	15	6.15	1.2	3.40	0.63	7540	2211	67	1.70	0.63	7540	2211	67	1.70	231	14	5.76	1.2	3.60	0.71	6654	1951	68	1.95	0.71	6654	1951	68	1.95	261	12	5.09	1.2	3.90	0.82	5815	1705	69	2.25	0.82	5815	1705	69	2.25	295	11	4.51	1.1	4.20	0.90	5238	1536	69	2.50	0.90	5238	1536	69	2.50	347	9.4	3.83	1.1	4.60	1.0	4532	1329	70	2.85	1.0	4532	1329	70	2.85	GR139R79 GRF139R79	4P	198	16	13.84	1.3	4.60	1.2	3976	1166	70	3.25	0.56	8471	2484	49	0.95	211	15	12.98	1.3	4.90	0.52	9065	2658	47	0.90	0.52	9065	2658	47	0.90	239	14	11.45	1.3	5.30	0.58	8226	2412	50	0.95	0.58	8226	2412	50	0.95	270	12	10.15	1.2	5.70	0.67	7070	2073	52	1.10	0.67	7070	2073	52	1.10	317	10	8.63	1.2	6.30	0.76	6272	1839	54	1.25	0.76	6272	1839	54	1.25	363	9.0	7.55	1.1	5.50	0.87	5450	1598	55	1.45	0.87	5450	1598	55	1.45	389	8.4	7.04	1.1	5.80	0.99	4764	1397	56	1.65	0.99	4764	1397	56	1.65	446	7.3	6.15	1.0	6.60	1.1	4181	1226	56	1.90	1.1	4181	1226	56	1.90	476	6.8	5.76	1.0	6.90	1.3	3717	1090	57	2.15	1.3	3717	1090	57	2.15	538	6.0	5.09	1.0	7.50	1.5	3243	951	57	2.45	1.5	3243	951	57	2.45	608	5.4	4.51	0.9	8.00	1.7	2834	831	57	2.80	1.7	2834	831	57	2.80	GR109R79 GRF109R79	4P	715	4.5	3.83	0.9	8.80	0.99	4798	1407	22	0.90	0.99	4798	1407	22	0.90	172	20	5.18	4.3	3.70	1.1	4123	1209	29	1.05	1.1	4123	1209	29	1.05	196	18	4.53	4.2	4.60	1.3	3598	1055	31	1.20	1.3	3598	1055	31	1.20	207	17	4.30	4.1	4.70	1.5	3134	919	33	1.35	1.5	3134	919	33	1.35	236	15	3.77	3.9	5.90	1.7	2779	815	34	1.55	1.7	2779	815	34	1.55	219	16	6.07	4.0	2.80	1.9	2445	717	34	1.75	1.9	2445	717	34	1.75	257	13	5.18	3.8	5.60	2.2	2135	626	35	2.00	2.2	2135	626	35	2.00	294	12	4.53	3.6	7.10	0.99	4774	1400	24	0.90	0.99	4774	1400	24	0.90	309	11	4.30	3.6	7.30	1.1	4181	1226	29	1.05	1.1	4181	1226	29	1.05	353	10	3.77	3.4	9.00	1.3	3765	1104	31	1.15	1.3	3765	1104	31	1.15	416	8	3.20	3.2	12	1.5	3202	939	33	1.35	1.5	3202	939	33	1.35	460	7	2.89	3.1	14	1.7	2803	822	34	1.55	1.7	2803	822	34	1.55	524	7	2.54	3.0	18	1.5	3199	938	4.4	0.95	1.5	3199	938	4.4	0.95	554	6	2.40	3.0	20	1.7	2810	824	21	1.05	1.7	2810	824	21	1.05	652	5	2.04	2.8	26	1.9	2513	737	23	1.20	1.9	2513	737	23	1.20	205	17	4.35	3.3	4.00	2.2	2155	632	24	1.40	2.2	2155	632	24	1.40	235	15	3.79	3.2	4.60	2.5	1910	560	25	1.55	2.5	1910	560	25	1.55	251	14	3.55	3.1	5.00	2.9	1651	484	26	1.80	2.9	1651	484	26	1.80	242	14	5.50	3.1	2.80	3.2	1470	431	26	2.00	3.2	1470	431	26	2.00	262	13	5.07	3.0	2.80	3.7	1293	379	27	2.30	3.7	1293	379	27	2.30	306	11	4.35	2.9	6.10											GR99R59 GRF99R59	4P	351	9.8	3.79	2.8	7.10																														
60	56	22.32	2.9	2.30			69	49	19.35	2.8	2.60			74	46	18.08	2.7	2.80	85	39	15.63	2.6	3.20	100	34	13.28	2.5	3.80	34	97	38.61	0.7	0.85	GR19 GRF19	4P	806	4.3	1.65			2.1	16	0.55kW	37	91		36.20	1.2	0.90	42	81	31.94	1.8	1.05	47	71	28.32	1.8	1.15	55	61	24.07	1.7	1.40	53	62	25.23	1.7	1.30	0.11	42568	12482	128	0.9	GR179R99 GRF179R99	4P			57	57	23.15	1.7	1.45	0.13	36402	10674	128	1.0	67	48	19.71	1.7	1.70	0.16	30175	8848	128	1.2	78	42	16.99	1.6	1.95	0.25	18873	5534	128	1.9	0.28	16758	4914	128	2.2	84	39	15.84	1.6	2.10	0.23	20725	6077	114	0.85	0.26	18440	5407	114	0.95	GR169R99 GRF169R99	4P	96	34	13.84	1.5	2.40	0.26	18440	5407	114	0.95	0.30	15858	4650	114	1.10			GR149R79 GRF149R79	4P	102	32	12.98	1.5	2.60	0.34	14081	4129	114	1.25	0.28	16250	4926	25	0.80	116	28	11.45	1.5	2.80	0.28	16250	4926	25	0.80	0.32	14750	4325	53	0.85	131	25	10.15	1.4	3.00	0.32	14750	4325	53	0.85	0.37	12802	3754	60	1.05	154	21	8.63	1.4	3.30	0.37	12802	3754	60	1.05	0.42	11261	3302	63	1.15	176	18	7.55	1.3	2.90	0.48	9883	2898	65	1.30	0.48	9883	2898			65	1.30	GR149R79 GRF149R79	4P	189	17	7.04	1.3	3.10	0.54	8713	2555	66	1.50	0.54	8713	2555	66	1.50	216	15	6.15	1.2	3.40	0.63	7540	2211	67	1.70	0.63	7540	2211	67	1.70	231	14	5.76	1.2	3.60	0.71	6654	1951	68	1.95	0.71	6654	1951	68	1.95	261	12	5.09	1.2	3.90	0.82	5815	1705	69	2.25	0.82	5815	1705	69	2.25	295	11	4.51	1.1	4.20	0.90	5238	1536	69	2.50	0.90	5238	1536	69	2.50	347	9.4	3.83	1.1	4.60	1.0	4532	1329	70	2.85	1.0			4532	1329	70	2.85	GR139R79 GRF139R79	4P	198	16	13.84	1.3	4.60	1.2	3976	1166	70	3.25	0.56	8471	2484	49	0.95	211	15	12.98	1.3	4.90	0.52	9065	2658	47	0.90	0.52	9065	2658	47	0.90	239	14	11.45	1.3	5.30	0.58	8226	2412	50	0.95	0.58	8226	2412	50	0.95	270	12	10.15	1.2	5.70	0.67	7070	2073	52	1.10	0.67	7070	2073	52	1.10	317	10	8.63	1.2	6.30	0.76	6272	1839	54	1.25	0.76	6272	1839	54	1.25	363	9.0	7.55	1.1	5.50	0.87	5450	1598	55	1.45	0.87	5450	1598	55	1.45	389	8.4	7.04	1.1	5.80	0.99	4764	1397	56	1.65	0.99	4764	1397	56	1.65	446	7.3	6.15	1.0	6.60	1.1	4181	1226	56	1.90	1.1	4181	1226	56	1.90	476	6.8	5.76	1.0	6.90	1.3	3717	1090	57	2.15	1.3	3717	1090	57	2.15	538	6.0	5.09	1.0	7.50	1.5	3243	951	57	2.45	1.5	3243	951	57	2.45	608	5.4	4.51	0.9	8.00	1.7	2834	831	57			2.80	1.7	2834	831	57	2.80	GR109R79 GRF109R79	4P	715	4.5	3.83	0.9	8.80	0.99	4798	1407	22	0.90	0.99	4798	1407	22	0.90	172	20	5.18	4.3	3.70	1.1	4123	1209	29	1.05	1.1	4123	1209	29	1.05	196	18	4.53	4.2	4.60	1.3	3598	1055	31	1.20	1.3	3598	1055	31	1.20	207	17	4.30	4.1	4.70	1.5	3134	919	33	1.35	1.5	3134	919	33	1.35	236	15	3.77	3.9	5.90	1.7	2779	815	34	1.55	1.7	2779	815	34	1.55	219	16	6.07	4.0	2.80	1.9	2445	717	34	1.75	1.9	2445	717	34	1.75	257	13	5.18	3.8	5.60	2.2	2135	626	35	2.00	2.2	2135	626	35	2.00	294	12	4.53	3.6	7.10	0.99	4774	1400	24	0.90	0.99	4774	1400	24	0.90	309	11	4.30	3.6	7.30	1.1	4181	1226	29	1.05	1.1	4181	1226	29	1.05	353	10	3.77	3.4	9.00	1.3	3765	1104	31	1.15	1.3	3765	1104	31	1.15	416	8	3.20	3.2	12	1.5	3202	939	33	1.35	1.5	3202	939	33	1.35	460	7	2.89	3.1	14	1.7	2803	822	34	1.55	1.7	2803	822	34	1.55	524	7	2.54	3.0	18	1.5	3199	938	4.4	0.95	1.5	3199	938	4.4	0.95	554	6	2.40	3.0	20	1.7	2810	824	21	1.05	1.7	2810	824	21	1.05	652	5	2.04	2.8	26	1.9	2513	737	23	1.20	1.9	2513	737	23	1.20	205	17	4.35	3.3	4.00	2.2	2155	632	24	1.40	2.2	2155	632	24	1.40	235	15	3.79	3.2	4.60	2.5	1910	560	25	1.55	2.5	1910	560	25	1.55	251	14	3.55	3.1	5.00	2.9	1651	484	26	1.80	2.9	1651	484	26	1.80	242	14	5.50	3.1	2.80	3.2	1470	431	26	2.00	3.2	1470	431	26	2.00	262	13	5.07	3.0	2.80	3.7	1293	379	27	2.30	3.7	1293	379	27	2.30	306	11	4.35	2.9	6.10													GR99R59 GRF99R59	4P	351	9.8	3.79	2.8	7.10																				
69	49	19.35	2.8	2.60			74	46	18.08	2.7	2.80			85	39	15.63	2.6	3.20	100	34	13.28	2.5	3.80	34	97	38.61	0.7	0.85	GR19 GRF19	4P	806	4.3	1.65			2.1	16	0.55kW			37	91		36.20	1.2		0.90	42	81	31.94	1.8	1.05	47	71	28.32	1.8	1.15	55	61	24.07	1.7	1.40	53	62	25.23	1.7	1.30	0.11	42568	12482	128	0.9	GR179R99 GRF179R99	4P					57	57	23.15	1.7	1.45	0.13	36402	10674	128	1.0	67	48	19.71	1.7	1.70	0.16	30175	8848	128	1.2	78	42	16.99	1.6	1.95	0.25	18873	5534	128	1.9	0.28	16758	4914	128	2.2	84	39	15.84	1.6	2.10	0.23	20725	6077	114	0.85	0.26	18440	5407	114	0.95	GR169R99 GRF169R99	4P	96	34	13.84	1.5	2.40	0.26	18440	5407	114	0.95	0.30	15858	4650	114	1.10					GR149R79 GRF149R79	4P	102	32	12.98	1.5	2.60	0.34	14081	4129	114	1.25	0.28	16250	4926	25	0.80	116	28	11.45	1.5	2.80	0.28	16250	4926	25	0.80	0.32	14750	4325	53	0.85	131	25	10.15	1.4	3.00	0.32	14750	4325	53	0.85	0.37	12802	3754	60	1.05	154	21	8.63	1.4	3.30	0.37	12802	3754	60	1.05	0.42	11261	3302	63	1.15	176	18	7.55	1.3	2.90	0.48	9883	2898	65	1.30	0.48			9883	2898			65	1.30	GR149R79 GRF149R79	4P	189	17	7.04	1.3	3.10	0.54	8713	2555	66	1.50	0.54	8713	2555	66	1.50	216	15	6.15	1.2	3.40	0.63	7540	2211	67	1.70	0.63	7540	2211	67	1.70	231	14	5.76	1.2	3.60	0.71	6654	1951	68	1.95	0.71	6654	1951	68	1.95	261	12	5.09	1.2	3.90	0.82	5815	1705	69	2.25	0.82	5815	1705	69	2.25	295	11	4.51	1.1	4.20	0.90	5238	1536	69	2.50	0.90	5238	1536	69	2.50	347	9.4	3.83	1.1	4.60	1.0	4532			1329	70	2.85	1.0			4532	1329	70	2.85	GR139R79 GRF139R79	4P	198	16	13.84	1.3	4.60	1.2	3976	1166	70	3.25	0.56	8471	2484	49	0.95	211	15	12.98	1.3	4.90	0.52	9065	2658	47	0.90	0.52	9065	2658	47	0.90	239	14	11.45	1.3	5.30	0.58	8226	2412	50	0.95	0.58	8226	2412	50	0.95	270	12	10.15	1.2	5.70	0.67	7070	2073	52	1.10	0.67	7070	2073	52	1.10	317	10	8.63	1.2	6.30	0.76	6272	1839	54	1.25	0.76	6272	1839	54	1.25	363	9.0	7.55	1.1	5.50	0.87	5450	1598	55	1.45	0.87	5450	1598	55	1.45	389	8.4	7.04	1.1	5.80	0.99	4764	1397	56	1.65	0.99	4764	1397	56	1.65	446	7.3	6.15	1.0	6.60	1.1	4181	1226	56	1.90	1.1	4181	1226	56	1.90	476	6.8	5.76	1.0	6.90	1.3	3717	1090	57	2.15	1.3	3717	1090	57	2.15	538	6.0	5.09	1.0	7.50	1.5	3243	951	57	2.45	1.5	3243	951	57	2.45	608	5.4	4.51			0.9	8.00	1.7	2834	831	57			2.80	1.7	2834	831	57	2.80	GR109R79 GRF109R79	4P	715	4.5	3.83	0.9	8.80	0.99	4798	1407	22	0.90	0.99	4798	1407	22	0.90	172	20	5.18	4.3	3.70	1.1	4123	1209	29	1.05	1.1	4123	1209	29	1.05	196	18	4.53	4.2	4.60	1.3	3598	1055	31	1.20	1.3	3598	1055	31	1.20	207	17	4.30	4.1	4.70	1.5	3134	919	33	1.35	1.5	3134	919	33	1.35	236	15	3.77	3.9	5.90	1.7	2779	815	34	1.55	1.7	2779	815	34	1.55	219	16	6.07	4.0	2.80	1.9	2445	717	34	1.75	1.9	2445	717	34	1.75	257	13	5.18	3.8	5.60	2.2	2135	626	35	2.00	2.2	2135	626	35	2.00	294	12	4.53	3.6	7.10	0.99	4774	1400	24	0.90	0.99	4774	1400	24	0.90	309	11	4.30	3.6	7.30	1.1	4181	1226	29	1.05	1.1	4181	1226	29	1.05	353	10	3.77	3.4	9.00	1.3	3765	1104	31	1.15	1.3	3765	1104	31	1.15	416	8	3.20	3.2	12	1.5	3202	939	33	1.35	1.5	3202	939	33	1.35	460	7	2.89	3.1	14	1.7	2803	822	34	1.55	1.7	2803	822	34	1.55	524	7	2.54	3.0	18	1.5	3199	938	4.4	0.95	1.5	3199	938	4.4	0.95	554	6	2.40	3.0	20	1.7	2810	824	21	1.05	1.7	2810	824	21	1.05	652	5	2.04	2.8	26	1.9	2513	737	23	1.20	1.9	2513	737	23	1.20	205	17	4.35	3.3	4.00	2.2	2155	632	24	1.40	2.2	2155	632	24	1.40	235	15	3.79	3.2	4.60	2.5	1910	560	25	1.55	2.5	1910	560	25	1.55	251	14	3.55	3.1	5.00	2.9	1651	484	26	1.80	2.9	1651	484	26	1.80	242	14	5.50	3.1	2.80	3.2	1470	431	26	2.00	3.2	1470	431	26	2.00	262	13	5.07	3.0	2.80	3.7	1293	379	27	2.30	3.7	1293	379	27	2.30	306	11	4.35	2.9	6.10													GR99R59 GRF99R59	4P	351	9.8	3.79	2.8	7.10												
74	46	18.08	2.7	2.80			85	39	15.63	2.6	3.20			100	34	13.28	2.5	3.80	34	97	38.61	0.7	0.85	GR19 GRF19	4P	806	4.3	1.65			2.1	16	0.55kW			37	91				36.20	1.2		0.90	42		81	31.94	1.8	1.05	47	71	28.32	1.8	1.15	55	61	24.07	1.7	1.40	53	62	25.23	1.7	1.30	0.11	42568	12482	128	0.9	GR179R99 GRF179R99	4P					57	57	23.15	1.7	1.45	0.13	36402	10674	128	1.0	67	48	19.71	1.7	1.70	0.16	30175	8848	128	1.2	78	42	16.99	1.6	1.95	0.25	18873	5534	128	1.9	0.28	16758	4914	128	2.2	84	39	15.84	1.6	2.10	0.23	20725	6077	114	0.85	0.26	18440	5407	114	0.95	GR169R99 GRF169R99	4P	96	34	13.84	1.5	2.40	0.26	18440	5407	114	0.95	0.30	15858	4650	114	1.10	GR149R79 GRF149R79	4P							102	32	12.98	1.5	2.60	0.34	14081	4129	114	1.25	0.28	16250	4926	25	0.80	116	28	11.45	1.5	2.80	0.28	16250	4926	25	0.80	0.32	14750	4325	53	0.85	131	25	10.15	1.4	3.00	0.32	14750	4325	53	0.85	0.37	12802	3754	60	1.05	154	21	8.63	1.4	3.30	0.37	12802	3754	60	1.05	0.42	11261	3302	63	1.15	176	18	7.55	1.3	2.90	0.48	9883	2898	65	1.30	0.48			9883	2898			65	1.30			GR149R79 GRF149R79	4P	189	17	7.04	1.3	3.10	0.54	8713	2555	66	1.50	0.54	8713	2555	66	1.50	216	15	6.15	1.2	3.40	0.63	7540	2211	67	1.70	0.63	7540	2211	67	1.70	231	14	5.76	1.2	3.60	0.71	6654	1951	68	1.95	0.71	6654	1951	68	1.95	261	12	5.09	1.2	3.90	0.82	5815	1705	69	2.25	0.82	5815	1705	69	2.25	295	11	4.51	1.1	4.20	0.90	5238	1536	69	2.50	0.90	5238	1536	69	2.50	347	9.4	3.83	1.1	4.60			1.0	4532	1329	70			2.85	1.0	4532	1329			70	2.85	GR139R79 GRF139R79	4P	198	16	13.84	1.3	4.60	1.2	3976	1166	70	3.25	0.56	8471	2484	49	0.95	211	15	12.98	1.3	4.90	0.52	9065	2658	47	0.90	0.52	9065	2658	47	0.90	239	14	11.45	1.3	5.30	0.58	8226	2412	50	0.95	0.58	8226	2412	50	0.95	270	12	10.15	1.2	5.70	0.67	7070	2073	52	1.10	0.67	7070	2073	52	1.10	317	10	8.63	1.2	6.30	0.76	6272	1839	54	1.25	0.76	6272	1839	54	1.25	363	9.0	7.55	1.1	5.50	0.87	5450	1598	55	1.45	0.87	5450	1598	55	1.45	389	8.4	7.04	1.1	5.80	0.99	4764	1397	56	1.65	0.99	4764	1397	56	1.65	446	7.3	6.15	1.0	6.60	1.1	4181	1226	56	1.90	1.1	4181	1226	56	1.90	476	6.8	5.76	1.0	6.90	1.3	3717	1090	57	2.15	1.3	3717	1090	57	2.15	538	6.0	5.09	1.0	7.50	1.5	3243	951	57	2.45	1.5	3243	951	57			2.45	608	5.4	4.51	0.9	8.00			1.7	2834	831	57	2.80	1.7			2834	831	57	2.80	GR109R79 GRF109R79	4P	715	4.5	3.83	0.9	8.80	0.99	4798	1407	22	0.90	0.99	4798	1407	22	0.90	172	20	5.18	4.3	3.70	1.1	4123	1209	29	1.05	1.1	4123	1209	29	1.05	196	18	4.53	4.2	4.60	1.3	3598	1055	31	1.20	1.3	3598	1055	31	1.20	207	17	4.30	4.1	4.70	1.5	3134	919	33	1.35	1.5	3134	919	33	1.35	236	15	3.77	3.9	5.90	1.7	2779	815	34	1.55	1.7	2779	815	34	1.55	219	16	6.07	4.0	2.80	1.9	2445	717	34	1.75	1.9	2445	717	34	1.75	257	13	5.18	3.8	5.60	2.2	2135	626	35	2.00	2.2	2135	626	35	2.00	294	12	4.53	3.6	7.10	0.99	4774	1400	24	0.90	0.99	4774	1400	24	0.90	309	11	4.30	3.6	7.30	1.1	4181	1226	29	1.05	1.1	4181	1226	29	1.05	353	10	3.77	3.4	9.00	1.3	3765	1104	31	1.15	1.3	3765	1104	31	1.15	416	8	3.20	3.2	12	1.5	3202	939	33	1.35	1.5	3202	939	33	1.35	460	7	2.89	3.1	14	1.7	2803	822	34	1.55	1.7	2803	822	34	1.55	524	7	2.54	3.0	18	1.5	3199	938	4.4	0.95	1.5	3199	938	4.4	0.95	554	6	2.40	3.0	20	1.7	2810	824	21	1.05	1.7	2810	824	21	1.05	652	5	2.04	2.8	26	1.9	2513	737	23	1.20	1.9	2513	737	23	1.20	205	17	4.35	3.3	4.00	2.2	2155	632	24	1.40	2.2	2155	632	24	1.40	235	15	3.79	3.2	4.60	2.5	1910	560	25	1.55	2.5	1910	560	25	1.55	251	14	3.55	3.1	5.00	2.9	1651	484	26	1.80	2.9	1651	484	26	1.80	242	14	5.50	3.1	2.80	3.2	1470	431	26	2.00	3.2	1470	431	26	2.00	262	13	5.07	3.0	2.80	3.7	1293	379	27	2.30	3.7	1293	379	27	2.30	306	11	4.35	2.9	6.10													GR99R59 GRF99R59	4P	351	9.8	3.79	2.8	7.10						
85	39	15.63	2.6	3.20			100	34	13.28	2.5	3.80			34	97	38.61	0.7	0.85	GR19 GRF19	4P	806	4.3	1.65			2.1	16	0.55kW			37	91				36.20	1.2				0.90	42		81	31.94		1.8	1.05	47	71	28.32	1.8	1.15	55	61	24.07	1.7	1.40	53	62	25.23	1.7	1.30	0.11	42568	12482	128	0.9	GR179R99 GRF179R99	4P					57	57	23.15	1.7	1.45	0.13	36402	10674	128	1.0	67	48	19.71	1.7	1.70	0.16	30175	8848	128	1.2	78	42	16.99	1.6	1.95	0.25	18873	5534	128	1.9	0.28	16758	4914	128	2.2	84	39	15.84	1.6	2.10	0.23	20725	6077	114	0.85	0.26	18440	5407	114	0.95	GR169R99 GRF169R99	4P	96	34	13.84	1.5	2.40	0.26	18440	5407	114	0.95	0.30	15858	4650	114	1.10	GR149R79 GRF149R79	4P									102	32	12.98	1.5	2.60	0.34	14081	4129	114	1.25	0.28	16250	4926	25	0.80	116	28	11.45	1.5	2.80	0.28	16250	4926	25	0.80	0.32	14750	4325	53	0.85	131	25	10.15	1.4	3.00	0.32	14750	4325	53	0.85	0.37	12802	3754	60	1.05	154	21	8.63	1.4	3.30	0.37	12802	3754	60	1.05	0.42	11261	3302	63	1.15	176	18	7.55	1.3	2.90	0.48	9883	2898	65	1.30	0.48			9883	2898			65	1.30					GR149R79 GRF149R79	4P	189	17	7.04	1.3	3.10	0.54	8713	2555	66	1.50	0.54	8713	2555	66	1.50	216	15	6.15	1.2	3.40	0.63	7540	2211	67	1.70	0.63	7540	2211	67	1.70	231	14	5.76	1.2	3.60	0.71	6654	1951	68	1.95	0.71	6654	1951	68	1.95	261	12	5.09	1.2	3.90	0.82	5815	1705	69	2.25	0.82	5815	1705	69	2.25	295	11	4.51	1.1	4.20	0.90	5238	1536	69	2.50	0.90	5238	1536	69	2.50	347	9.4	3.83			1.1	4.60	1.0	4532			1329	70	2.85	1.0			4532	1329			70	2.85	GR139R79 GRF139R79	4P	198	16	13.84	1.3	4.60	1.2	3976	1166	70	3.25	0.56	8471	2484	49	0.95	211	15	12.98	1.3	4.90	0.52	9065	2658	47	0.90	0.52	9065	2658	47	0.90	239	14	11.45	1.3	5.30	0.58	8226	2412	50	0.95	0.58	8226	2412	50	0.95	270	12	10.15	1.2	5.70	0.67	7070	2073	52	1.10	0.67	7070	2073	52	1.10	317	10	8.63	1.2	6.30	0.76	6272	1839	54	1.25	0.76	6272	1839	54	1.25	363	9.0	7.55	1.1	5.50	0.87	5450	1598	55	1.45	0.87	5450	1598	55	1.45	389	8.4	7.04	1.1	5.80	0.99	4764	1397	56	1.65	0.99	4764	1397	56	1.65	446	7.3	6.15	1.0	6.60	1.1	4181	1226	56	1.90	1.1	4181	1226	56	1.90	476	6.8	5.76	1.0	6.90	1.3	3717	1090	57	2.15	1.3	3717	1090	57	2.15	538	6.0	5.09	1.0	7.50	1.5	3243	951	57	2.45			1.5	3243	951	57	2.45	608			5.4	4.51	0.9	8.00	1.7	2834			831	57	2.80	1.7			2834	831	57	2.80	GR109R79 GRF109R79	4P	715	4.5	3.83	0.9	8.80	0.99	4798	1407	22	0.90	0.99	4798	1407	22	0.90	172	20	5.18	4.3	3.70	1.1	4123	1209	29	1.05	1.1	4123	1209	29	1.05	196	18	4.53	4.2	4.60	1.3	3598	1055	31	1.20	1.3	3598	1055	31	1.20	207	17	4.30	4.1	4.70	1.5	3134	919	33	1.35	1.5	3134	919	33	1.35	236	15	3.77	3.9	5.90	1.7	2779	815	34	1.55	1.7	2779	815	34	1.55	219	16	6.07	4.0	2.80	1.9	2445	717	34	1.75	1.9	2445	717	34	1.75	257	13	5.18	3.8	5.60	2.2	2135	626	35	2.00	2.2	2135	626	35	2.00	294	12	4.53	3.6	7.10	0.99	4774	1400	24	0.90	0.99	4774	1400	24	0.90	309	11	4.30	3.6	7.30	1.1	4181	1226	29	1.05	1.1	4181	1226	29	1.05	353	10	3.77	3.4	9.00	1.3	3765	1104	31	1.15	1.3	3765	1104	31	1.15	416	8	3.20	3.2	12	1.5	3202	939	33	1.35	1.5	3202	939	33	1.35	460	7	2.89	3.1	14	1.7	2803	822	34	1.55	1.7	2803	822	34	1.55	524	7	2.54	3.0	18	1.5	3199	938	4.4	0.95	1.5	3199	938	4.4	0.95	554	6	2.40	3.0	20	1.7	2810	824	21	1.05	1.7	2810	824	21	1.05	652	5	2.04	2.8	26	1.9	2513	737	23	1.20	1.9	2513	737	23	1.20	205	17	4.35	3.3	4.00	2.2	2155	632	24	1.40	2.2	2155	632	24	1.40	235	15	3.79	3.2	4.60	2.5	1910	560	25	1.55	2.5	1910	560	25	1.55	251	14	3.55	3.1	5.00	2.9	1651	484	26	1.80	2.9	1651	484	26	1.80	242	14	5.50	3.1	2.80	3.2	1470	431	26	2.00	3.2	1470	431	26	2.00	262	13	5.07	3.0	2.80	3.7	1293	379	27	2.30	3.7	1293	379	27	2.30	306	11	4.35	2.9	6.10													GR99R59 GRF99R59	4P	351	9.8	3.79	2.8	7.10
100	34	13.28	2.5	3.80	34	97	38.61	0.7	0.85	GR19 GRF19	4P	806	4.3	1.65	2.1	16	0.55kW	37			91	36.20	1.2			0.90	42				81	31.94				1.8	1.05		47	71	28.32	1.8		1.15	55		61	24.07	1.7	1.40	53	62	25.23	1.7	1.30	0.11	42568	12482	128	0.9	GR179R99 GRF179R99	4P	57	57	23.15	1.7	1.45	0.13					36402	10674	128	1.0	67	48	19.71	1.7	1.70	0.16	30175	8848	128	1.2	78	42	16.99	1.6	1.95	0.25	18873	5534	128	1.9	0.28	16758	4914	128	2.2	84	39	15.84	1.6	2.10	0.23	20725	6077	114	0.85	0.26	18440	5407	114	0.95	GR169R99 GRF169R99	4P	96	34	13.84	1.5	2.40	0.26	18440	5407	114	0.95	0.30	15858	4650	114	1.10	GR149R79 GRF149R79	4P	102	32	12.98	1.5	2.60	0.34					14081	4129					114	1.25	0.28	16250	4926	25	0.80	116	28	11.45	1.5	2.80	0.28	16250	4926	25	0.80	0.32	14750	4325	53	0.85	131	25	10.15	1.4	3.00	0.32	14750	4325	53	0.85	0.37	12802	3754	60	1.05	154	21	8.63	1.4	3.30	0.37	12802	3754	60	1.05	0.42	11261	3302	63	1.15	176	18	7.55	1.3	2.90	0.48	9883	2898	65	1.30	0.48	9883	2898	65	1.30	GR149R79 GRF149R79	4P	189	17			7.04	1.3			3.10	0.54							8713	2555	66	1.50	0.54	8713	2555	66	1.50	216	15	6.15	1.2	3.40	0.63	7540	2211	67	1.70	0.63	7540	2211	67	1.70	231	14	5.76	1.2	3.60	0.71	6654	1951	68	1.95	0.71	6654	1951	68	1.95	261	12	5.09	1.2	3.90	0.82	5815	1705	69	2.25	0.82	5815	1705	69	2.25	295	11	4.51	1.1	4.20	0.90	5238	1536	69	2.50	0.90	5238	1536	69	2.50	347	9.4	3.83	1.1	4.60	1.0	4532	1329	70			2.85	1.0	4532	1329			70	2.85	GR139R79 GRF139R79	4P			198	16			13.84	1.3			4.60	1.2	3976	1166	70	3.25	0.56	8471	2484	49	0.95	211	15	12.98	1.3	4.90	0.52	9065	2658	47	0.90	0.52	9065	2658	47	0.90	239	14	11.45	1.3	5.30	0.58	8226	2412	50	0.95	0.58	8226	2412	50	0.95	270	12	10.15	1.2	5.70	0.67	7070	2073	52	1.10	0.67	7070	2073	52	1.10	317	10	8.63	1.2	6.30	0.76	6272	1839	54	1.25	0.76	6272	1839	54	1.25	363	9.0	7.55	1.1	5.50	0.87	5450	1598	55	1.45	0.87	5450	1598	55	1.45	389	8.4	7.04	1.1	5.80	0.99	4764	1397	56	1.65	0.99	4764	1397	56	1.65	446	7.3	6.15	1.0	6.60	1.1	4181	1226	56	1.90	1.1	4181	1226	56	1.90	476	6.8	5.76	1.0	6.90	1.3	3717	1090	57	2.15	1.3	3717	1090	57	2.15	538	6.0	5.09	1.0	7.50	1.5	3243	951	57	2.45	1.5	3243	951	57			2.45	608	5.4	4.51	0.9	8.00			1.7	2834	831	57	2.80	1.7			2834	831	57	2.80			GR109R79 GRF109R79	4P	715	4.5			3.83	0.9	8.80	0.99	4798	1407	22	0.90	0.99	4798	1407	22	0.90	172	20	5.18	4.3	3.70	1.1	4123	1209	29	1.05	1.1	4123	1209	29	1.05	196	18	4.53	4.2	4.60	1.3	3598	1055	31	1.20	1.3	3598	1055	31	1.20	207	17	4.30	4.1	4.70	1.5	3134	919	33	1.35	1.5	3134	919	33	1.35	236	15	3.77	3.9	5.90	1.7	2779	815	34	1.55	1.7	2779	815	34	1.55	219	16	6.07	4.0	2.80	1.9	2445	717	34	1.75	1.9	2445	717	34	1.75	257	13	5.18	3.8	5.60	2.2	2135	626	35	2.00	2.2	2135	626	35	2.00	294	12	4.53	3.6	7.10	0.99	4774	1400	24	0.90	0.99	4774	1400	24	0.90	309	11	4.30	3.6	7.30	1.1	4181	1226	29	1.05	1.1	4181	1226	29	1.05	353	10	3.77	3.4	9.00	1.3	3765	1104	31	1.15	1.3	3765	1104	31	1.15	416	8	3.20	3.2	12	1.5	3202	939	33	1.35	1.5	3202	939	33	1.35	460	7	2.89	3.1	14	1.7	2803	822	34	1.55	1.7	2803	822	34	1.55	524	7	2.54	3.0	18	1.5	3199	938	4.4	0.95	1.5	3199	938	4.4	0.95	554	6	2.40	3.0	20	1.7	2810	824	21	1.05	1.7	2810	824	21	1.05	652	5	2.04	2.8	26	1.9	2513	737	23	1.20	1.9	2513	737	23	1.20	205	17	4.35	3.3	4.00	2.2	2155	632	24	1.40	2.2	2155	632	24	1.40	235	15	3.79	3.2	4.60	2.5	1910	560	25	1.55	2.5	1910	560	25	1.55	251	14	3.55	3.1	5.00	2.9	1651	484	26	1.80	2.9	1651	484	26	1.80	242	14	5.50	3.1	2.80	3.2	1470	431	26	2.00	3.2	1470	431	26	2.00	262	13	5.07	3.0	2.80	3.7	1293	379	27	2.30	3.7	1293	379	27	2.30	306	11	4.35	2.9	6.10											GR99R59 GRF99R59	4P	351	9.8			3.79	2.8	7.10		
34	97	38.61	0.7	0.85	GR19 GRF19	4P	806	4.3	1.65			2.1	16	0.55kW																																																																																																																																																																																																																																																																																																																																																																																																																																																																																																																																																																																																																																																																																																																																																																																																																																																					
37	91	36.20	1.2	0.90			42	81	31.94			1.8	1.05		47	71		28.32			1.8	1.15	55			61	24.07		1.7	1.40	53	62		25.23	1.7	1.30	0.11		42568	12482	128	0.9		GR179R99 GRF179R99	4P		57	57	23.15	1.7	1.45	0.13	36402	10674	128	1.0	67	48	19.71	1.7			1.70	0.16	30175	8848	128	1.2	78	42	16.99	1.6	1.95	0.25	18873	5534	128	1.9	0.28	16758	4914	128	2.2	84	39	15.84	1.6	2.10	0.23	20725	6077	114	0.85	0.26	18440	5407	114	0.95	GR169R99 GRF169R99	4P	96	34	13.84	1.5	2.40	0.26	18440	5407	114	0.95	0.30	15858	4650	114	1.10	GR149R79 GRF149R79	4P	102	32	12.98	1.5	2.60	0.34	14081	4129	114	1.25	0.28	16250	4926	25	0.80	116			28	11.45	1.5	2.80	0.28	16250					4926	25	0.80	0.32	14750	4325	53	0.85	131	25	10.15	1.4	3.00	0.32	14750	4325	53	0.85	0.37	12802	3754	60	1.05	154	21	8.63	1.4	3.30	0.37	12802	3754	60	1.05	0.42	11261	3302	63	1.15	176	18	7.55	1.3	2.90	0.48	9883	2898	65	1.30	0.48	9883	2898	65	1.30	GR149R79 GRF149R79	4P	189	17	7.04	1.3	3.10	0.54	8713	2555	66	1.50	0.54	8713	2555	66	1.50	216	15	6.15			1.2	3.40	0.63	7540	2211	67	1.70	0.63	7540	2211							67	1.70	231	14	5.76	1.2	3.60	0.71	6654	1951	68	1.95	0.71	6654	1951	68	1.95	261	12	5.09	1.2	3.90	0.82	5815	1705	69	2.25	0.82	5815	1705	69	2.25	295	11	4.51	1.1	4.20	0.90	5238	1536	69	2.50	0.90	5238	1536	69	2.50	347	9.4	3.83	1.1	4.60	1.0	4532	1329	70	2.85	1.0	4532	1329	70	2.85	GR139R79 GRF139R79	4P	198	16	13.84	1.3	4.60	1.2	3976	1166	70	3.25	0.56	8471	2484	49			0.95	211	15	12.98			1.3	4.90					0.52	9065			2658	47			0.90	0.52	9065	2658	47	0.90	239	14	11.45	1.3	5.30	0.58	8226	2412	50	0.95	0.58	8226	2412	50	0.95	270	12	10.15	1.2	5.70	0.67	7070	2073	52	1.10	0.67	7070	2073	52	1.10	317	10	8.63	1.2	6.30	0.76	6272	1839	54	1.25	0.76	6272	1839	54	1.25	363	9.0	7.55	1.1	5.50	0.87	5450	1598	55	1.45	0.87	5450	1598	55	1.45	389	8.4	7.04	1.1	5.80	0.99	4764	1397	56	1.65	0.99	4764	1397	56	1.65	446	7.3	6.15	1.0	6.60	1.1	4181	1226	56	1.90	1.1	4181	1226	56	1.90	476	6.8	5.76	1.0	6.90	1.3	3717	1090	57	2.15	1.3	3717	1090	57	2.15	538	6.0	5.09	1.0	7.50	1.5	3243	951	57	2.45	1.5	3243	951	57	2.45	608	5.4	4.51	0.9	8.00	1.7	2834	831	57	2.80	1.7	2834	831	57	2.80	GR109R79 GRF109R79	4P	715	4.5			3.83	0.9	8.80	0.99	4798	1407			22	0.90	0.99	4798	1407	22			0.90	172	20	5.18					4.3	3.70			1.1	4123	1209	29	1.05	1.1	4123	1209	29	1.05	196	18	4.53	4.2	4.60	1.3	3598	1055	31	1.20	1.3	3598	1055	31	1.20	207	17	4.30	4.1	4.70	1.5	3134	919	33	1.35	1.5	3134	919	33	1.35	236	15	3.77	3.9	5.90	1.7	2779	815	34	1.55	1.7	2779	815	34	1.55	219	16	6.07	4.0	2.80	1.9	2445	717	34	1.75	1.9	2445	717	34	1.75	257	13	5.18	3.8	5.60	2.2	2135	626	35	2.00	2.2	2135	626	35	2.00	294	12	4.53	3.6	7.10	0.99	4774	1400	24	0.90	0.99	4774	1400	24	0.90	309	11	4.30	3.6	7.30	1.1	4181	1226	29	1.05	1.1	4181	1226	29	1.05	353	10	3.77	3.4	9.00	1.3	3765	1104	31	1.15	1.3	3765	1104	31	1.15	416	8	3.20	3.2	12	1.5	3202	939	33	1.35	1.5	3202	939	33	1.35	460	7	2.89	3.1	14	1.7	2803	822	34	1.55	1.7	2803	822	34	1.55	524	7	2.54	3.0	18	1.5	3199	938	4.4	0.95	1.5	3199	938	4.4	0.95	554	6	2.40	3.0	20	1.7	2810	824	21	1.05	1.7	2810	824	21	1.05	652	5	2.04	2.8	26	1.9	2513	737	23	1.20	1.9	2513	737	23	1.20	205	17	4.35	3.3	4.00	2.2	2155	632	24	1.40	2.2	2155	632	24	1.40	235	15	3.79	3.2	4.60	2.5	1910	560	25	1.55	2.5	1910	560	25	1.55	251	14	3.55	3.1	5.00	2.9	1651	484	26	1.80	2.9	1651	484	26	1.80	242	14	5.50	3.1	2.80	3.2	1470	431	26	2.00	3.2	1470	431	26	2.00	262	13	5.07	3.0	2.80	3.7	1293	379	27	2.30	3.7	1293	379	27	2.30	306	11	4.35	2.9	6.10											GR99R59 GRF99R59	4P	351	9.8	3.79	2.8	7.10																						
42	81	31.94	1.8	1.05			47	71	28.32			1.8	1.15		55	61		24.07			1.7	1.40	53	62	25.23	1.7	1.30		0.11	42568	12482	128		0.9	GR179R99 GRF179R99	4P	57		57	23.15	1.7	1.45					0.13	36402	10674	128	1.0	67	48	19.71	1.7	1.70	0.16	30175	8848	128	1.2	78	42	16.99	1.6	1.95	0.25	18873	5534	128	1.9	0.28	16758	4914	128	2.2	84	39	15.84	1.6	2.10	0.23	20725	6077	114	0.85	0.26	18440	5407	114	0.95	GR169R99 GRF169R99	4P	96	34	13.84	1.5	2.40	0.26	18440	5407	114	0.95	0.30	15858	4650	114	1.10	GR149R79 GRF149R79	4P	102	32	12.98	1.5	2.60			0.34	14081	4129	114	1.25	0.28	16250	4926	25	0.80	116	28	11.45	1.5	2.80	0.28			16250	4926	25	0.80	0.32	14750			4325	53	0.85	131	25	10.15	1.4	3.00	0.32	14750	4325	53	0.85	0.37	12802	3754	60	1.05	154	21	8.63	1.4	3.30	0.37	12802	3754	60	1.05	0.42	11261	3302	63	1.15	176	18	7.55	1.3	2.90	0.48	9883	2898	65	1.30	0.48	9883	2898	65	1.30	GR149R79 GRF149R79	4P	189	17	7.04	1.3	3.10			0.54	8713	2555	66	1.50	0.54	8713	2555	66	1.50	216	15	6.15	1.2	3.40	0.63	7540	2211			67	1.70	0.63	7540	2211	67	1.70	231	14	5.76	1.2	3.60					0.71	6654	1951	68	1.95	0.71	6654	1951	68	1.95	261	12	5.09	1.2	3.90	0.82	5815	1705	69	2.25	0.82	5815	1705	69	2.25	295	11	4.51	1.1	4.20	0.90	5238	1536	69	2.50	0.90	5238	1536	69	2.50	347	9.4	3.83	1.1	4.60	1.0	4532	1329	70	2.85	1.0	4532	1329	70	2.85	GR139R79 GRF139R79	4P	198	16	13.84	1.3	4.60			1.2	3976	1166	70	3.25	0.56	8471	2484	49	0.95	211	15	12.98	1.3			4.90	0.52	9065	2658			47	0.90					0.52	9065			2658	47			0.90	239	14	11.45	1.3	5.30	0.58	8226	2412	50	0.95	0.58	8226	2412	50	0.95	270	12	10.15	1.2	5.70	0.67	7070	2073	52	1.10	0.67	7070	2073	52	1.10	317	10	8.63	1.2	6.30	0.76	6272	1839	54	1.25	0.76	6272	1839	54	1.25	363	9.0	7.55	1.1	5.50	0.87	5450	1598	55	1.45	0.87	5450	1598	55	1.45	389	8.4	7.04	1.1	5.80	0.99	4764	1397	56	1.65	0.99	4764	1397	56	1.65	446	7.3	6.15	1.0	6.60	1.1	4181	1226	56	1.90	1.1	4181	1226	56	1.90	476	6.8	5.76	1.0	6.90	1.3	3717	1090	57	2.15	1.3	3717	1090	57	2.15	538	6.0	5.09	1.0	7.50	1.5	3243	951	57	2.45	1.5	3243	951	57	2.45	608	5.4	4.51	0.9	8.00	1.7	2834	831	57	2.80	1.7	2834	831	57	2.80	GR109R79 GRF109R79	4P	715	4.5	3.83			0.9	8.80			0.99	4798	1407	22	0.90	0.99			4798	1407	22	0.90	172	20			5.18	4.3	3.70	1.1					4123	1209			29	1.05	1.1	4123	1209	29	1.05	196	18	4.53	4.2	4.60	1.3	3598	1055	31	1.20	1.3	3598	1055	31	1.20	207	17	4.30	4.1	4.70	1.5	3134	919	33	1.35	1.5	3134	919	33	1.35	236	15	3.77	3.9	5.90	1.7	2779	815	34	1.55	1.7	2779	815	34	1.55	219	16	6.07	4.0	2.80	1.9	2445	717	34	1.75	1.9	2445	717	34	1.75	257	13	5.18	3.8	5.60	2.2	2135	626	35	2.00	2.2	2135	626	35	2.00	294	12	4.53	3.6	7.10	0.99	4774	1400	24	0.90	0.99	4774	1400	24	0.90	309	11	4.30	3.6	7.30	1.1	4181	1226	29	1.05	1.1	4181	1226	29	1.05	353	10	3.77	3.4	9.00	1.3	3765	1104	31	1.15	1.3	3765	1104	31	1.15	416	8	3.20	3.2	12	1.5	3202	939	33	1.35	1.5	3202	939	33	1.35	460	7	2.89	3.1	14	1.7	2803	822	34	1.55	1.7	2803	822	34	1.55	524	7	2.54	3.0	18	1.5	3199	938	4.4	0.95	1.5	3199	938	4.4	0.95	554	6	2.40	3.0	20	1.7	2810	824	21	1.05	1.7	2810	824	21	1.05	652	5	2.04	2.8	26	1.9	2513	737	23	1.20	1.9	2513	737	23	1.20	205	17	4.35	3.3	4.00	2.2	2155	632	24	1.40	2.2	2155	632	24	1.40	235	15	3.79	3.2	4.60	2.5	1910	560	25	1.55	2.5	1910	560	25	1.55	251	14	3.55	3.1	5.00	2.9	1651	484	26	1.80	2.9	1651	484	26	1.80	242	14	5.50	3.1	2.80	3.2	1470	431	26	2.00	3.2	1470	431	26	2.00	262	13	5.07	3.0	2.80	3.7	1293	379	27	2.30	3.7	1293	379	27	2.30	306	11	4.35	2.9	6.10											GR99R59 GRF99R59	4P	351			9.8	3.79	2.8	7.10																							
47	71	28.32	1.8	1.15			55	61	24.07			1.7	1.40		53	62		25.23	1.7	1.30	0.11	42568	12482	128	0.9	GR179R99 GRF179R99	4P		57	57	23.15	1.7		1.45			0.13		36402	10674	128	1.0					67	48	19.71	1.7	1.70	0.16	30175	8848	128	1.2	78	42	16.99	1.6	1.95	0.25	18873	5534	128	1.9	0.28	16758	4914	128	2.2	84	39	15.84	1.6	2.10	0.23	20725	6077	114	0.85	0.26	18440	5407	114	0.95	GR169R99 GRF169R99	4P	96	34	13.84	1.5	2.40	0.26	18440	5407	114	0.95	0.30	15858	4650	114	1.10	GR149R79 GRF149R79	4P	102	32	12.98			1.5	2.60	0.34	14081	4129			114	1.25	0.28	16250	4926	25	0.80	116	28	11.45	1.5	2.80	0.28	16250	4926	25			0.80	0.32	14750	4325	53	0.85	131	25	10.15	1.4	3.00	0.32	14750	4325	53	0.85	0.37	12802	3754	60	1.05	154	21	8.63	1.4	3.30	0.37	12802	3754	60	1.05	0.42	11261	3302	63	1.15	176	18	7.55	1.3	2.90	0.48	9883	2898	65	1.30	0.48	9883	2898	65	1.30	GR149R79 GRF149R79	4P	189	17	7.04			1.3	3.10	0.54	8713	2555			66	1.50	0.54	8713	2555	66	1.50	216	15	6.15	1.2	3.40	0.63	7540	2211	67	1.70	0.63			7540	2211	67	1.70	231	14	5.76	1.2	3.60	0.71	6654	1951	68	1.95			0.71	6654	1951	68	1.95	261	12	5.09	1.2	3.90	0.82	5815	1705	69	2.25	0.82	5815	1705	69	2.25	295	11	4.51	1.1	4.20	0.90	5238	1536	69	2.50	0.90	5238	1536	69	2.50	347	9.4	3.83	1.1	4.60	1.0	4532	1329	70	2.85	1.0	4532	1329	70	2.85	GR139R79 GRF139R79	4P	198	16	13.84			1.3	4.60	1.2	3976	1166			70	3.25	0.56	8471	2484	49	0.95	211	15	12.98	1.3	4.90	0.52	9065			2658	47	0.90	0.52			9065	2658					47	0.90			239	14			11.45	1.3	5.30	0.58	8226	2412	50	0.95	0.58	8226	2412	50	0.95	270	12	10.15	1.2	5.70	0.67	7070	2073	52	1.10	0.67	7070	2073	52	1.10	317	10	8.63	1.2	6.30	0.76	6272	1839	54	1.25	0.76	6272	1839	54	1.25	363	9.0	7.55	1.1	5.50	0.87	5450	1598	55	1.45	0.87	5450	1598	55	1.45	389	8.4	7.04	1.1	5.80	0.99	4764	1397	56	1.65	0.99	4764	1397	56	1.65	446	7.3	6.15	1.0	6.60	1.1	4181	1226	56	1.90	1.1	4181	1226	56	1.90	476	6.8	5.76	1.0	6.90	1.3	3717	1090	57	2.15	1.3	3717	1090	57	2.15	538	6.0	5.09	1.0	7.50	1.5	3243	951	57	2.45	1.5	3243	951	57	2.45	608	5.4	4.51	0.9	8.00	1.7	2834	831	57	2.80	1.7	2834	831	57	2.80	GR109R79 GRF109R79	4P	715			4.5	3.83	0.9			8.80	0.99			4798	1407	22	0.90	0.99	4798			1407	22	0.90	172	20	5.18			4.3	3.70	1.1	4123					1209	29			1.05	1.1	4123	1209	29	1.05	196	18	4.53	4.2	4.60	1.3	3598	1055	31	1.20	1.3	3598	1055	31	1.20	207	17	4.30	4.1	4.70	1.5	3134	919	33	1.35	1.5	3134	919	33	1.35	236	15	3.77	3.9	5.90	1.7	2779	815	34	1.55	1.7	2779	815	34	1.55	219	16	6.07	4.0	2.80	1.9	2445	717	34	1.75	1.9	2445	717	34	1.75	257	13	5.18	3.8	5.60	2.2	2135	626	35	2.00	2.2	2135	626	35	2.00	294	12	4.53	3.6	7.10	0.99	4774	1400	24	0.90	0.99	4774	1400	24	0.90	309	11	4.30	3.6	7.30	1.1	4181	1226	29	1.05	1.1	4181	1226	29	1.05	353	10	3.77	3.4	9.00	1.3	3765	1104	31	1.15	1.3	3765	1104	31	1.15	416	8	3.20	3.2	12	1.5	3202	939	33	1.35	1.5	3202	939	33	1.35	460	7	2.89	3.1	14	1.7	2803	822	34	1.55	1.7	2803	822	34	1.55	524	7	2.54	3.0	18	1.5	3199	938	4.4	0.95	1.5	3199	938	4.4	0.95	554	6	2.40	3.0	20	1.7	2810	824	21	1.05	1.7	2810	824	21	1.05	652	5	2.04	2.8	26	1.9	2513	737	23	1.20	1.9	2513	737	23	1.20	205	17	4.35	3.3	4.00	2.2	2155	632	24	1.40	2.2	2155	632	24	1.40	235	15	3.79	3.2	4.60	2.5	1910	560	25	1.55	2.5	1910	560	25	1.55	251	14	3.55	3.1	5.00	2.9	1651	484	26	1.80	2.9	1651	484	26	1.80	242	14	5.50	3.1	2.80	3.2	1470	431	26	2.00	3.2	1470	431	26	2.00	262	13	5.07	3.0	2.80	3.7	1293	379	27	2.30	3.7	1293	379	27	2.30	306	11	4.35	2.9	6.10											GR99R59 GRF99R59			4P	351	9.8	3.79	2.8	7.10																								
55	61	24.07	1.7	1.40			53	62	25.23	1.7	1.30	0.11	42568		12482	128		0.9	GR179R99 GRF179R99	4P	57	57	23.15	1.7	1.45				0.13	36402	10674	128		1.0			67		48	19.71	1.7	1.70		0.16	30175		8848	128	1.2	78	42	16.99	1.6	1.95	0.25	18873	5534	128	1.9	0.28	16758	4914	128	2.2	84	39	15.84	1.6	2.10	0.23	20725	6077	114	0.85	0.26	18440	5407	114	0.95	GR169R99 GRF169R99	4P	96	34	13.84	1.5	2.40	0.26	18440	5407	114	0.95	0.30	15858	4650	114	1.10	GR149R79 GRF149R79	4P	102	32	12.98	1.5	2.60			0.34	14081	4129			114	1.25	0.28	16250	4926			25	0.80	116	28	11.45	1.5	2.80	0.28	16250	4926	25	0.80	0.32	14750	4325	53	0.85	131	25	10.15	1.4	3.00	0.32	14750	4325	53	0.85	0.37	12802	3754	60	1.05	154	21	8.63	1.4	3.30	0.37	12802	3754	60	1.05	0.42	11261	3302	63	1.15	176	18	7.55	1.3	2.90	0.48	9883	2898	65	1.30	0.48	9883	2898	65	1.30	GR149R79 GRF149R79	4P	189	17	7.04	1.3	3.10			0.54	8713	2555			66	1.50	0.54	8713	2555			66	1.50	216	15	6.15	1.2	3.40	0.63	7540	2211	67	1.70	0.63	7540	2211	67	1.70	231			14	5.76	1.2	3.60	0.71	6654	1951	68	1.95	0.71	6654	1951	68	1.95	261	12	5.09	1.2	3.90	0.82	5815	1705	69	2.25	0.82	5815	1705	69	2.25	295	11	4.51	1.1	4.20	0.90	5238	1536	69	2.50	0.90	5238	1536	69	2.50	347	9.4	3.83	1.1	4.60	1.0	4532	1329	70	2.85	1.0	4532	1329	70	2.85	GR139R79 GRF139R79	4P	198	16	13.84	1.3	4.60			1.2	3976	1166			70	3.25	0.56	8471	2484			49	0.95	211	15	12.98	1.3	4.90	0.52	9065	2658	47	0.90	0.52	9065	2658	47	0.90	239	14	11.45			1.3	5.30					0.58	8226			2412	50			0.95	0.58	8226	2412	50	0.95	270	12	10.15	1.2	5.70	0.67	7070	2073	52	1.10	0.67	7070	2073	52	1.10	317	10	8.63	1.2	6.30	0.76	6272	1839	54	1.25	0.76	6272	1839	54	1.25	363	9.0	7.55	1.1	5.50	0.87	5450	1598	55	1.45	0.87	5450	1598	55	1.45	389	8.4	7.04	1.1	5.80	0.99	4764	1397	56	1.65	0.99	4764	1397	56	1.65	446	7.3	6.15	1.0	6.60	1.1	4181	1226	56	1.90	1.1	4181	1226	56	1.90	476	6.8	5.76	1.0	6.90	1.3	3717	1090	57	2.15	1.3	3717	1090	57	2.15	538	6.0	5.09	1.0	7.50	1.5	3243	951	57	2.45	1.5	3243	951	57	2.45	608	5.4	4.51	0.9	8.00	1.7	2834	831	57	2.80	1.7	2834	831	57	2.80	GR109R79 GRF109R79	4P	715	4.5	3.83	0.9	8.80			0.99			4798	1407	22			0.90	0.99	4798	1407	22	0.90	172	20	5.18	4.3			3.70	1.1	4123	1209	29	1.05			1.1	4123	1209	29					1.05	196			18	4.53	4.2	4.60	1.3	3598	1055	31	1.20	1.3	3598	1055	31	1.20	207	17	4.30	4.1	4.70	1.5	3134	919	33	1.35	1.5	3134	919	33	1.35	236	15	3.77	3.9	5.90	1.7	2779	815	34	1.55	1.7	2779	815	34	1.55	219	16	6.07	4.0	2.80	1.9	2445	717	34	1.75	1.9	2445	717	34	1.75	257	13	5.18	3.8	5.60	2.2	2135	626	35	2.00	2.2	2135	626	35	2.00	294	12	4.53	3.6	7.10	0.99	4774	1400	24	0.90	0.99	4774	1400	24	0.90	309	11	4.30	3.6	7.30	1.1	4181	1226	29	1.05	1.1	4181	1226	29	1.05	353	10	3.77	3.4	9.00	1.3	3765	1104	31	1.15	1.3	3765	1104	31	1.15	416	8	3.20	3.2	12	1.5	3202	939	33	1.35	1.5	3202	939	33	1.35	460	7	2.89	3.1	14	1.7	2803	822	34	1.55	1.7	2803	822	34	1.55	524	7	2.54	3.0	18	1.5	3199	938	4.4	0.95	1.5	3199	938	4.4	0.95	554	6	2.40	3.0	20	1.7	2810	824	21	1.05	1.7	2810	824	21	1.05	652	5	2.04	2.8	26	1.9	2513	737	23	1.20	1.9	2513	737	23	1.20	205	17	4.35	3.3	4.00	2.2	2155	632	24	1.40	2.2	2155	632	24	1.40	235	15	3.79	3.2	4.60	2.5	1910	560	25	1.55	2.5	1910	560	25	1.55	251	14	3.55	3.1	5.00	2.9	1651	484	26	1.80	2.9	1651	484	26	1.80	242	14	5.50	3.1	2.80	3.2	1470	431	26	2.00	3.2	1470	431	26	2.00	262	13	5.07	3.0	2.80	3.7	1293	379	27	2.30	3.7	1293	379	27	2.30	306	11	4.35	2.9	6.10											GR99R59 GRF99R59	4P	351	9.8	3.79	2.8	7.10																																	
53	62	25.23	1.7	1.30	0.11	42568	12482	128	0.9	GR179R99 GRF179R99	4P																																																																																																																																																																																																																																																																																																																																																																																																																																																																																																																																																																																																																																																																																																																																																																																																																																																								
57	57	23.15	1.7	1.45	0.13	36402	10674	128	1.0			67	48		19.71	1.7		1.70			0.16	30175	8848	128	1.2	78	42		16.99	1.6	1.95	0.25		18873	5534	128	1.9		0.28	16758	4914	128		2.2	84		39	15.84	1.6	2.10	0.23	20725	6077	114	0.85	0.26	18440	5407	114	0.95	GR169R99 GRF169R99	4P	96	34	13.84	1.5	2.40	0.26	18440	5407	114	0.95	0.30	15858	4650	114	1.10	GR149R79 GRF149R79	4P	102	32	12.98	1.5	2.60	0.34	14081	4129	114	1.25	0.28	16250	4926	25	0.80	116	28			11.45	1.5	2.80	0.28	16250			4926	25	0.80			0.32	14750	4325	53	0.85	131	25	10.15	1.4	3.00	0.32	14750	4325	53	0.85	0.37	12802	3754	60	1.05	154	21	8.63	1.4	3.30	0.37	12802	3754	60	1.05	0.42	11261	3302	63	1.15	176	18	7.55	1.3	2.90	0.48	9883	2898	65	1.30	0.48	9883	2898	65	1.30	GR149R79 GRF149R79	4P	189	17	7.04	1.3	3.10	0.54	8713	2555	66	1.50	0.54	8713	2555	66	1.50	216	15			6.15	1.2	3.40	0.63	7540			2211	67	1.70			0.63	7540	2211	67	1.70			231	14	5.76	1.2	3.60	0.71	6654	1951	68	1.95	0.71	6654	1951	68	1.95	261	12	5.09	1.2	3.90	0.82	5815	1705	69	2.25	0.82	5815	1705	69	2.25	295	11	4.51	1.1	4.20	0.90	5238	1536	69	2.50	0.90	5238	1536	69	2.50	347	9.4	3.83	1.1	4.60	1.0	4532	1329	70	2.85	1.0	4532	1329	70	2.85	GR139R79 GRF139R79	4P	198	16	13.84	1.3	4.60	1.2	3976	1166	70	3.25	0.56	8471	2484	49	0.95	211	15			12.98	1.3	4.90	0.52	9065			2658	47	0.90			0.52	9065	2658	47	0.90			239	14	11.45	1.3	5.30	0.58	8226	2412	50	0.95	0.58	8226	2412	50	0.95	270	12	10.15	1.2	5.70	0.67	7070	2073	52			1.10	0.67	7070	2073			52	1.10			317	10	8.63	1.2	6.30	0.76	6272	1839	54	1.25	0.76	6272	1839	54	1.25	363	9.0	7.55	1.1	5.50	0.87	5450	1598	55	1.45	0.87	5450	1598	55	1.45	389	8.4	7.04	1.1	5.80	0.99	4764	1397	56	1.65	0.99	4764	1397	56	1.65	446	7.3	6.15	1.0	6.60	1.1	4181	1226	56	1.90	1.1	4181	1226	56	1.90	476	6.8	5.76	1.0	6.90	1.3	3717	1090	57	2.15	1.3	3717	1090	57	2.15	538	6.0	5.09	1.0	7.50	1.5	3243	951	57	2.45	1.5	3243	951	57	2.45	608	5.4	4.51	0.9	8.00	1.7	2834	831	57	2.80	1.7	2834	831	57	2.80	GR109R79 GRF109R79	4P	715	4.5	3.83	0.9	8.80	0.99	4798	1407	22	0.90	0.99	4798	1407	22	0.90	172	20	5.18	4.3			3.70	1.1	4123	1209	29			1.05			1.1	4123	1209			29	1.05	196	18	4.53	4.2	4.60	1.3	3598	1055	31	1.20	1.3	3598	1055	31	1.20	207	17	4.30	4.1	4.70	1.5	3134					919	33			1.35	1.5	3134	919	33	1.35	236	15	3.77	3.9	5.90	1.7	2779	815	34	1.55	1.7	2779	815	34	1.55	219	16	6.07	4.0	2.80	1.9	2445	717	34	1.75	1.9	2445	717	34	1.75	257	13	5.18	3.8	5.60	2.2	2135	626	35	2.00	2.2	2135	626	35	2.00	294	12	4.53	3.6	7.10	0.99	4774	1400	24	0.90	0.99	4774	1400	24	0.90	309	11	4.30	3.6	7.30	1.1	4181	1226	29	1.05	1.1	4181	1226	29	1.05	353	10	3.77	3.4	9.00	1.3	3765	1104	31	1.15	1.3	3765	1104	31	1.15	416	8	3.20	3.2	12	1.5	3202	939	33	1.35	1.5	3202	939	33	1.35	460	7	2.89	3.1	14	1.7	2803	822	34	1.55	1.7	2803	822	34	1.55	524	7	2.54	3.0	18	1.5	3199	938	4.4	0.95	1.5	3199	938	4.4	0.95	554	6	2.40	3.0	20	1.7	2810	824	21	1.05	1.7	2810	824	21	1.05	652	5	2.04	2.8	26	1.9	2513	737	23	1.20	1.9	2513	737	23	1.20	205	17	4.35	3.3	4.00	2.2	2155	632	24	1.40	2.2	2155	632	24	1.40	235	15	3.79	3.2	4.60	2.5	1910	560	25	1.55	2.5	1910	560	25	1.55	251	14	3.55	3.1	5.00	2.9	1651	484	26	1.80	2.9	1651	484	26	1.80	242	14	5.50	3.1	2.80	3.2	1470	431	26	2.00	3.2	1470	431	26	2.00	262	13	5.07	3.0	2.80	3.7	1293	379	27	2.30	3.7	1293	379	27	2.30	306	11	4.35	2.9	6.10											GR99R59 GRF99R59	4P	351	9.8	3.79	2.8	7.10																																																								
67	48	19.71	1.7	1.70	0.16	30175	8848	128	1.2			78	42		16.99	1.6		1.95	0.25	18873	5534	128	1.9	0.28	16758	4914	128		2.2	84	39	15.84		1.6	2.10	0.23	20725		6077	114	0.85	0.26		18440	5407	114	0.95	GR169R99 GRF169R99	4P	96	34	13.84	1.5	2.40	0.26	18440	5407	114	0.95	0.30	15858	4650	114	1.10	GR149R79 GRF149R79	4P	102	32	12.98	1.5	2.60	0.34	14081	4129	114	1.25	0.28			16250	4926	25	0.80	116	28	11.45	1.5	2.80	0.28	16250	4926	25	0.80	0.32	14750	4325			53	0.85	131	25	10.15			1.4	3.00	0.32	14750	4325	53	0.85	0.37	12802	3754	60	1.05	154	21	8.63	1.4	3.30	0.37	12802	3754	60	1.05	0.42	11261	3302	63	1.15	176	18	7.55	1.3	2.90	0.48	9883	2898	65	1.30	0.48	9883	2898	65	1.30	GR149R79 GRF149R79	4P	189	17	7.04	1.3	3.10	0.54	8713	2555	66	1.50	0.54			8713	2555	66	1.50	216	15	6.15	1.2	3.40	0.63	7540	2211	67	1.70	0.63	7540	2211			67	1.70	231	14	5.76			1.2	3.60	0.71			6654	1951	68	1.95	0.71	6654	1951	68	1.95	261	12	5.09	1.2	3.90	0.82	5815	1705	69	2.25	0.82	5815	1705	69	2.25	295	11	4.51	1.1	4.20	0.90	5238	1536	69	2.50	0.90	5238	1536	69	2.50	347	9.4	3.83	1.1	4.60	1.0	4532	1329	70	2.85	1.0	4532	1329	70	2.85	GR139R79 GRF139R79	4P	198	16	13.84	1.3	4.60	1.2	3976	1166	70	3.25	0.56			8471	2484	49	0.95	211	15	12.98	1.3	4.90	0.52	9065	2658	47	0.90	0.52	9065	2658			47	0.90	239	14	11.45			1.3	5.30	0.58			8226	2412	50	0.95	0.58			8226	2412	50	0.95	270	12	10.15	1.2	5.70	0.67	7070	2073	52	1.10	0.67	7070	2073	52	1.10	317	10	8.63	1.2	6.30			0.76	6272	1839	54	1.25	0.76	6272	1839			54	1.25	363	9.0	7.55	1.1	5.50	0.87	5450	1598	55	1.45	0.87	5450	1598	55	1.45	389	8.4	7.04	1.1	5.80	0.99	4764	1397	56	1.65	0.99	4764	1397	56	1.65	446	7.3	6.15	1.0	6.60	1.1	4181	1226	56	1.90	1.1	4181	1226	56	1.90	476	6.8	5.76	1.0	6.90	1.3	3717	1090	57	2.15	1.3	3717	1090	57	2.15	538	6.0	5.09	1.0	7.50	1.5	3243	951	57	2.45	1.5	3243	951	57	2.45	608	5.4	4.51	0.9	8.00	1.7	2834	831	57	2.80	1.7	2834	831	57	2.80	GR109R79 GRF109R79	4P	715	4.5	3.83	0.9	8.80	0.99	4798	1407	22	0.90	0.99			4798	1407	22	0.90	172	20	5.18	4.3	3.70	1.1	4123	1209	29	1.05	1.1	4123	1209	29	1.05			196	18	4.53	4.2	4.60			1.3			3598	1055	31			1.20	1.3	3598	1055	31	1.20	207	17	4.30	4.1	4.70	1.5	3134	919	33	1.35	1.5	3134	919	33	1.35	236	15	3.77	3.9	5.90			1.7	2779			815	34	1.55	1.7	2779	815	34	1.55	219	16	6.07	4.0	2.80	1.9	2445	717	34	1.75	1.9	2445	717	34	1.75	257	13	5.18	3.8	5.60	2.2	2135	626	35	2.00	2.2	2135	626	35	2.00	294	12	4.53	3.6	7.10	0.99	4774	1400	24	0.90	0.99	4774	1400	24	0.90	309	11	4.30	3.6	7.30	1.1	4181	1226	29	1.05	1.1	4181	1226	29	1.05	353	10	3.77	3.4	9.00	1.3	3765	1104	31	1.15	1.3	3765	1104	31	1.15	416	8	3.20	3.2	12	1.5	3202	939	33	1.35	1.5	3202	939	33	1.35	460	7	2.89	3.1	14	1.7	2803	822	34	1.55	1.7	2803	822	34	1.55	524	7	2.54	3.0	18	1.5	3199	938	4.4	0.95	1.5	3199	938	4.4	0.95	554	6	2.40	3.0	20	1.7	2810	824	21	1.05	1.7	2810	824	21	1.05	652	5	2.04	2.8	26	1.9	2513	737	23	1.20	1.9	2513	737	23	1.20	205	17	4.35	3.3	4.00	2.2	2155	632	24	1.40	2.2	2155	632	24	1.40	235	15	3.79	3.2	4.60	2.5	1910	560	25	1.55	2.5	1910	560	25	1.55	251	14	3.55	3.1	5.00	2.9	1651	484	26	1.80	2.9	1651	484	26	1.80	242	14	5.50	3.1	2.80	3.2	1470	431	26	2.00	3.2	1470	431	26	2.00	262	13	5.07	3.0	2.80	3.7	1293	379	27	2.30	3.7	1293	379	27	2.30	306	11	4.35	2.9	6.10											GR99R59 GRF99R59	4P	351	9.8	3.79	2.8	7.10																																																																					
78	42	16.99	1.6	1.95	0.25	18873	5534	128	1.9	0.28	16758	4914	128		2.2	84		39	15.84	1.6	2.10	0.23	20725	6077	114	0.85	0.26		18440	5407	114	0.95		GR169R99 GRF169R99	4P	96	34		13.84	1.5	2.40	0.26	18440	5407	114	0.95	0.30	15858	4650	114	1.10	GR149R79 GRF149R79	4P	102	32	12.98	1.5	2.60	0.34	14081	4129	114	1.25	0.28			16250	4926	25	0.80	116	28	11.45	1.5	2.80	0.28	16250			4926	25	0.80	0.32	14750	4325	53	0.85	131	25	10.15	1.4	3.00	0.32	14750	4325	53			0.85	0.37	12802	3754	60	1.05	154	21	8.63	1.4	3.30	0.37	12802	3754	60	1.05	0.42	11261	3302	63	1.15	176	18	7.55	1.3	2.90	0.48	9883	2898	65	1.30	0.48	9883	2898	65	1.30	GR149R79 GRF149R79	4P	189	17	7.04	1.3	3.10	0.54	8713	2555	66	1.50	0.54			8713	2555	66	1.50	216	15	6.15	1.2	3.40	0.63	7540			2211	67	1.70	0.63	7540	2211	67	1.70	231	14	5.76	1.2	3.60	0.71	6654	1951	68			1.95	0.71	6654	1951	68			1.95	261	12	5.09	1.2	3.90	0.82	5815	1705	69	2.25	0.82	5815	1705	69	2.25	295	11	4.51	1.1	4.20	0.90	5238	1536	69	2.50	0.90	5238	1536	69	2.50	347	9.4	3.83	1.1	4.60	1.0	4532	1329	70	2.85	1.0	4532	1329	70	2.85	GR139R79 GRF139R79	4P	198	16	13.84	1.3	4.60	1.2	3976	1166	70	3.25	0.56			8471	2484	49	0.95	211	15	12.98	1.3	4.90	0.52	9065			2658	47	0.90	0.52	9065	2658	47	0.90	239	14	11.45	1.3	5.30	0.58	8226	2412	50			0.95	0.58	8226	2412	50			0.95	270	12			10.15	1.2	5.70	0.67	7070			2073	52	1.10	0.67	7070	2073	52	1.10	317	10	8.63	1.2	6.30	0.76	6272	1839	54	1.25	0.76	6272	1839	54	1.25	363			9.0	7.55	1.1	5.50	0.87	5450	1598	55	1.45	0.87	5450	1598	55	1.45	389	8.4	7.04	1.1	5.80	0.99	4764	1397	56	1.65	0.99	4764	1397	56	1.65	446	7.3	6.15	1.0	6.60	1.1	4181	1226	56	1.90	1.1	4181	1226	56	1.90	476	6.8	5.76	1.0	6.90	1.3	3717	1090	57	2.15	1.3	3717	1090	57	2.15	538	6.0	5.09	1.0	7.50	1.5	3243	951	57	2.45	1.5	3243	951	57	2.45	608	5.4	4.51	0.9	8.00	1.7	2834	831	57	2.80	1.7	2834	831	57	2.80	GR109R79 GRF109R79	4P	715	4.5	3.83	0.9	8.80	0.99	4798	1407	22	0.90	0.99			4798	1407	22	0.90	172	20	5.18	4.3	3.70	1.1	4123			1209	29	1.05	1.1	4123	1209	29	1.05	196	18	4.53	4.2	4.60	1.3	3598	1055	31	1.20	1.3			3598	1055	31	1.20	207			17			4.30	4.1	4.70			1.5	3134	919	33	1.35	1.5	3134	919	33	1.35	236	15	3.77	3.9	5.90	1.7	2779	815	34	1.55	1.7	2779	815	34	1.55	219			16	6.07	4.0	2.80	1.9	2445	717	34	1.75	1.9	2445	717	34	1.75	257	13	5.18	3.8	5.60	2.2	2135	626	35	2.00	2.2	2135	626	35	2.00	294	12	4.53	3.6	7.10	0.99	4774	1400	24	0.90	0.99	4774	1400	24	0.90	309	11	4.30	3.6	7.30	1.1	4181	1226	29	1.05	1.1	4181	1226	29	1.05	353	10	3.77	3.4	9.00	1.3	3765	1104	31	1.15	1.3	3765	1104	31	1.15	416	8	3.20	3.2	12	1.5	3202	939	33	1.35	1.5	3202	939	33	1.35	460	7	2.89	3.1	14	1.7	2803	822	34	1.55	1.7	2803	822	34	1.55	524	7	2.54	3.0	18	1.5	3199	938	4.4	0.95	1.5	3199	938	4.4	0.95	554	6	2.40	3.0	20	1.7	2810	824	21	1.05	1.7	2810	824	21	1.05	652	5	2.04	2.8	26	1.9	2513	737	23	1.20	1.9	2513	737	23	1.20	205	17	4.35	3.3	4.00	2.2	2155	632	24	1.40	2.2	2155	632	24	1.40	235	15	3.79	3.2	4.60	2.5	1910	560	25	1.55	2.5	1910	560	25	1.55	251	14	3.55	3.1	5.00	2.9	1651	484	26	1.80	2.9	1651	484	26	1.80	242	14	5.50	3.1	2.80	3.2	1470	431	26	2.00	3.2	1470	431	26	2.00	262	13	5.07	3.0	2.80	3.7	1293	379	27	2.30	3.7	1293	379	27	2.30	306	11	4.35	2.9	6.10											GR99R59 GRF99R59	4P	351	9.8	3.79	2.8	7.10																																																																																		
84	39	15.84	1.6	2.10	0.23	20725	6077	114	0.85	0.26	18440	5407	114		0.95	GR169R99 GRF169R99		4P																																																																																																																																																																																																																																																																																																																																																																																																																																																																																																																																																																																																																																																																																																																																																																																																																																																	
96	34	13.84	1.5	2.40	0.26	18440	5407	114	0.95	0.30	15858	4650	114		1.10	GR149R79 GRF149R79		4P																																																																																																																																																																																																																																																																																																																																																																																																																																																																																																																																																																																																																																																																																																																																																																																																																																																	
102	32	12.98	1.5	2.60	0.34	14081	4129	114	1.25	0.28	16250	4926	25		0.80				116	28	11.45	1.5	2.80	0.28	16250	4926	25	0.80	0.32	14750	4325	53	0.85	131	25	10.15	1.4	3.00	0.32	14750	4325	53	0.85	0.37	12802	3754	60	1.05	154	21	8.63			1.4	3.30	0.37	12802	3754	60	1.05	0.42	11261	3302	63			1.15	176	18	7.55	1.3	2.90	0.48	9883	2898	65	1.30	0.48	9883	2898	65	1.30	GR149R79 GRF149R79	4P	189	17	7.04	1.3	3.10	0.54	8713	2555	66	1.50	0.54	8713	2555	66	1.50	216	15	6.15	1.2	3.40	0.63	7540	2211	67	1.70	0.63	7540	2211	67	1.70	231	14	5.76	1.2	3.60	0.71	6654	1951	68	1.95	0.71	6654	1951	68	1.95	261	12	5.09	1.2	3.90			0.82	5815	1705	69	2.25	0.82	5815	1705	69	2.25	295			11	4.51	1.1	4.20	0.90	5238	1536	69	2.50	0.90	5238			1536	69	2.50	347	9.4	3.83	1.1	4.60	1.0	4532	1329	70	2.85	1.0	4532	1329	70	2.85	GR139R79 GRF139R79	4P	198	16	13.84	1.3	4.60	1.2	3976	1166	70	3.25	0.56	8471	2484	49	0.95	211	15	12.98	1.3	4.90	0.52	9065	2658	47	0.90	0.52	9065	2658	47	0.90	239	14	11.45	1.3	5.30	0.58	8226	2412	50	0.95	0.58	8226	2412	50	0.95	270	12	10.15	1.2	5.70	0.67	7070			2073	52	1.10	0.67	7070	2073	52	1.10	317	10	8.63			1.2	6.30	0.76	6272	1839	54	1.25	0.76	6272	1839	54			1.25	363	9.0	7.55	1.1	5.50	0.87	5450	1598	55	1.45	0.87	5450	1598	55	1.45	389			8.4	7.04	1.1	5.80	0.99			4764	1397	56			1.65	0.99	4764	1397	56	1.65	446	7.3	6.15	1.0	6.60	1.1	4181	1226	56	1.90	1.1	4181	1226	56	1.90	476	6.8	5.76	1.0	6.90	1.3	3717	1090	57	2.15	1.3	3717	1090	57	2.15	538	6.0	5.09	1.0	7.50	1.5	3243	951	57	2.45	1.5	3243	951	57	2.45	608	5.4	4.51	0.9	8.00	1.7	2834	831	57	2.80	1.7	2834	831	57	2.80	GR109R79 GRF109R79	4P	715	4.5	3.83	0.9	8.80	0.99	4798	1407	22	0.90	0.99	4798	1407	22	0.90	172	20	5.18	4.3	3.70	1.1	4123	1209	29	1.05	1.1	4123	1209	29	1.05	196	18	4.53	4.2	4.60	1.3	3598	1055	31	1.20	1.3	3598	1055	31	1.20	207	17	4.30	4.1	4.70	1.5	3134	919	33			1.35	1.5	3134	919	33	1.35	236	15	3.77	3.9	5.90			1.7	2779	815	34	1.55	1.7	2779	815	34	1.55	219			16	6.07	4.0	2.80	1.9	2445	717	34	1.75	1.9	2445	717	34	1.75	257	13	5.18	3.8	5.60			2.2	2135	626	35	2.00			2.2			2135	626	35	2.00	294	12	4.53	3.6	7.10	0.99	4774	1400	24	0.90	0.99	4774	1400	24	0.90	309	11	4.30	3.6	7.30	1.1	4181	1226	29	1.05	1.1	4181	1226	29	1.05	353	10	3.77	3.4	9.00	1.3	3765	1104	31	1.15	1.3	3765	1104	31	1.15	416	8	3.20	3.2	12	1.5	3202	939	33	1.35	1.5	3202	939	33	1.35	460	7	2.89	3.1	14	1.7	2803	822	34	1.55	1.7	2803	822	34	1.55	524	7	2.54	3.0	18	1.5	3199	938	4.4	0.95	1.5	3199	938	4.4	0.95	554	6	2.40	3.0	20	1.7	2810	824	21	1.05	1.7	2810	824	21	1.05	652	5	2.04	2.8	26	1.9	2513	737	23	1.20	1.9	2513	737	23	1.20	205	17	4.35	3.3	4.00	2.2	2155	632	24	1.40	2.2	2155	632	24	1.40	235	15	3.79	3.2	4.60	2.5	1910	560	25	1.55	2.5	1910	560	25	1.55	251	14	3.55	3.1	5.00	2.9	1651	484	26	1.80	2.9	1651	484	26	1.80	242	14	5.50	3.1	2.80	3.2	1470	431	26	2.00	3.2	1470	431	26	2.00	262	13	5.07	3.0	2.80	3.7	1293	379	27	2.30	3.7	1293	379	27	2.30	306	11	4.35	2.9	6.10											GR99R59 GRF99R59	4P	351	9.8	3.79	2.8	7.10																																																																																																																																												
116	28	11.45	1.5	2.80	0.28	16250	4926	25	0.80	0.32	14750	4325	53		0.85		131		25	10.15	1.4	3.00	0.32	14750	4325	53	0.85	0.37	12802	3754	60	1.05	154	21	8.63	1.4	3.30	0.37	12802	3754	60	1.05	0.42	11261	3302	63	1.15	176	18	7.55	1.3			2.90	0.48	9883	2898	65	1.30	0.48	9883	2898	65	1.30	GR149R79 GRF149R79	4P	189	17	7.04	1.3	3.10	0.54	8713	2555	66	1.50	0.54	8713	2555	66	1.50	216			15	6.15	1.2	3.40	0.63	7540	2211	67	1.70	0.63	7540	2211	67	1.70	231	14	5.76	1.2	3.60	0.71	6654	1951	68	1.95	0.71	6654	1951	68	1.95	261	12	5.09	1.2	3.90	0.82	5815	1705	69	2.25	0.82	5815	1705	69	2.25	295	11	4.51	1.1	4.20	0.90			5238	1536	69	2.50	0.90	5238	1536	69	2.50	347	9.4			3.83	1.1	4.60	1.0	4532	1329	70	2.85	1.0	4532	1329	70	2.85	GR139R79 GRF139R79	4P	198	16	13.84	1.3	4.60	1.2	3976	1166	70	3.25	0.56	8471	2484	49	0.95	211			15	12.98	1.3	4.90	0.52	9065	2658	47	0.90	0.52	9065	2658	47	0.90	239	14	11.45	1.3	5.30	0.58	8226	2412	50	0.95	0.58	8226	2412	50	0.95	270	12	10.15	1.2	5.70	0.67	7070	2073	52	1.10	0.67	7070	2073	52	1.10	317	10	8.63	1.2	6.30	0.76	6272	1839			54	1.25	0.76	6272	1839	54	1.25	363	9.0	7.55	1.1			5.50	0.87	5450	1598	55	1.45	0.87	5450	1598	55	1.45			389	8.4	7.04	1.1	5.80	0.99	4764	1397	56	1.65	0.99	4764	1397	56	1.65	446	7.3			6.15	1.0	6.60	1.1	4181			1226	56	1.90	1.1	4181	1226	56	1.90	476	6.8	5.76	1.0	6.90	1.3	3717	1090	57	2.15	1.3	3717	1090	57	2.15	538	6.0	5.09	1.0	7.50	1.5	3243	951	57	2.45	1.5	3243	951	57	2.45	608	5.4	4.51	0.9	8.00	1.7	2834	831	57	2.80	1.7	2834	831	57	2.80	GR109R79 GRF109R79	4P	715	4.5	3.83	0.9	8.80	0.99	4798	1407	22	0.90	0.99	4798	1407	22	0.90	172			20	5.18	4.3	3.70	1.1	4123	1209	29	1.05	1.1	4123	1209	29	1.05	196	18	4.53	4.2	4.60	1.3	3598	1055	31	1.20	1.3	3598	1055	31	1.20	207	17	4.30	4.1	4.70	1.5	3134	919	33	1.35	1.5	3134	919	33	1.35	236	15	3.77	3.9	5.90	1.7	2779	815	34	1.55			1.7	2779	815	34	1.55	219	16	6.07	4.0	2.80	1.9			2445	717	34	1.75	1.9	2445	717	34	1.75	257	13			5.18	3.8	5.60	2.2	2135	626	35	2.00	2.2	2135	626	35	2.00	294	12	4.53	3.6	7.10	0.99			4774	1400	24	0.90	0.99			4774	1400	24	0.90	309	11	4.30	3.6	7.30	1.1	4181	1226	29	1.05	1.1	4181	1226	29	1.05	353	10	3.77	3.4	9.00	1.3	3765	1104	31	1.15	1.3	3765	1104	31	1.15	416	8	3.20	3.2	12	1.5	3202	939	33	1.35	1.5	3202	939	33	1.35	460	7	2.89	3.1	14	1.7	2803	822	34	1.55	1.7	2803	822	34	1.55	524	7	2.54	3.0	18	1.5	3199	938	4.4	0.95	1.5	3199	938	4.4	0.95	554	6	2.40	3.0	20	1.7	2810	824	21	1.05	1.7	2810	824	21	1.05	652	5	2.04	2.8	26	1.9	2513	737	23	1.20	1.9	2513	737	23	1.20	205	17	4.35	3.3	4.00	2.2	2155	632	24	1.40	2.2	2155	632	24	1.40	235	15	3.79	3.2	4.60	2.5	1910	560	25	1.55	2.5	1910	560	25	1.55	251	14	3.55	3.1	5.00	2.9	1651	484	26	1.80	2.9	1651	484	26	1.80	242	14	5.50	3.1	2.80	3.2	1470	431	26	2.00	3.2	1470	431	26	2.00	262	13	5.07	3.0	2.80	3.7	1293	379	27	2.30	3.7	1293	379	27	2.30	306	11	4.35	2.9	6.10											GR99R59 GRF99R59	4P	351	9.8	3.79	2.8	7.10																																																																																																																																																														
131	25	10.15	1.4	3.00	0.32	14750	4325	53	0.85	0.37	12802	3754	60	1.05	154		21		8.63	1.4	3.30	0.37	12802	3754	60	1.05	0.42	11261	3302	63	1.15	176	18	7.55	1.3	2.90	0.48	9883	2898	65	1.30	0.48	9883	2898	65	1.30	GR149R79 GRF149R79	4P	189	17	7.04	1.3	3.10	0.54	8713	2555	66	1.50	0.54	8713	2555	66	1.50	216			15	6.15	1.2	3.40	0.63	7540	2211	67	1.70	0.63	7540	2211	67	1.70	231	14			5.76	1.2	3.60	0.71	6654	1951	68	1.95	0.71	6654	1951	68	1.95	261	12	5.09	1.2	3.90	0.82	5815	1705	69	2.25	0.82	5815	1705	69	2.25	295	11	4.51	1.1	4.20	0.90	5238	1536	69	2.50	0.90	5238	1536	69	2.50	347	9.4	3.83	1.1	4.60	1.0	4532			1329	70	2.85	1.0	4532	1329	70	2.85	GR139R79 GRF139R79	4P	198	16	13.84	1.3	4.60	1.2	3976	1166	70	3.25	0.56	8471	2484	49	0.95	211			15	12.98	1.3	4.90	0.52	9065	2658	47	0.90	0.52	9065	2658	47	0.90	239	14			11.45	1.3	5.30	0.58	8226	2412	50	0.95	0.58	8226	2412	50	0.95	270	12	10.15	1.2	5.70	0.67	7070	2073	52	1.10	0.67	7070	2073	52	1.10	317	10	8.63	1.2	6.30	0.76	6272	1839	54	1.25	0.76	6272	1839	54	1.25	363	9.0	7.55	1.1	5.50	0.87	5450	1598	55			1.45	0.87	5450	1598	55	1.45	389	8.4	7.04	1.1	5.80			0.99	4764	1397	56	1.65	0.99	4764	1397	56	1.65	446			7.3	6.15	1.0	6.60	1.1	4181	1226	56	1.90	1.1	4181	1226	56	1.90	476	6.8	5.76			1.0	6.90	1.3	3717	1090	57	2.15	1.3	3717	1090	57	2.15	538	6.0	5.09	1.0	7.50	1.5	3243	951	57	2.45	1.5	3243	951	57	2.45	608	5.4	4.51	0.9	8.00	1.7	2834	831	57	2.80	1.7	2834	831	57	2.80	GR109R79 GRF109R79	4P	715	4.5	3.83	0.9	8.80	0.99	4798	1407	22	0.90	0.99	4798	1407	22	0.90	172			20	5.18	4.3	3.70	1.1	4123	1209	29	1.05	1.1	4123	1209	29	1.05	196	18			4.53	4.2	4.60	1.3	3598	1055	31	1.20	1.3	3598	1055	31	1.20	207	17	4.30	4.1	4.70	1.5	3134	919	33	1.35	1.5	3134	919	33	1.35	236	15	3.77	3.9	5.90	1.7	2779	815	34	1.55	1.7	2779	815	34	1.55	219	16	6.07	4.0	2.80	1.9	2445	717	34	1.75	1.9			2445	717	34	1.75	257	13	5.18	3.8	5.60	2.2	2135			626	35	2.00	2.2	2135	626	35	2.00	294	12	4.53			3.6	7.10	0.99	4774	1400	24	0.90	0.99	4774	1400	24	0.90	309	11	4.30	3.6	7.30	1.1	4181			1226	29	1.05	1.1	4181	1226	29	1.05	353	10	3.77	3.4	9.00	1.3	3765	1104	31	1.15	1.3	3765	1104	31	1.15	416	8	3.20	3.2	12	1.5	3202	939	33	1.35	1.5	3202	939	33	1.35	460	7	2.89	3.1	14	1.7	2803	822	34	1.55	1.7	2803	822	34	1.55	524	7	2.54	3.0	18	1.5	3199	938	4.4	0.95	1.5	3199	938	4.4	0.95	554	6	2.40	3.0	20	1.7	2810	824	21	1.05	1.7	2810	824	21	1.05	652	5	2.04	2.8	26	1.9	2513	737	23	1.20	1.9	2513	737	23	1.20	205	17	4.35	3.3	4.00	2.2	2155	632	24	1.40	2.2	2155	632	24	1.40	235	15	3.79	3.2	4.60	2.5	1910	560	25	1.55	2.5	1910	560	25	1.55	251	14	3.55	3.1	5.00	2.9	1651	484	26	1.80	2.9	1651	484	26	1.80	242	14	5.50	3.1	2.80	3.2	1470	431	26	2.00	3.2	1470	431	26	2.00	262	13	5.07	3.0	2.80	3.7	1293	379	27	2.30	3.7	1293	379	27	2.30	306	11	4.35	2.9	6.10											GR99R59 GRF99R59	4P	351	9.8	3.79	2.8	7.10																																																																																																																																																																																
154	21	8.63	1.4	3.30	0.37	12802	3754	60	1.05	0.42	11261	3302	63	1.15	176		18		7.55	1.3	2.90	0.48	9883	2898	65	1.30	0.48	9883	2898	65	1.30	GR149R79 GRF149R79	4P	189	17	7.04	1.3	3.10	0.54	8713	2555	66	1.50	0.54	8713	2555			66	1.50	216	15	6.15	1.2	3.40	0.63	7540	2211	67	1.70	0.63	7540	2211	67			1.70	231	14	5.76	1.2	3.60	0.71	6654	1951	68	1.95	0.71	6654	1951	68	1.95			261	12	5.09	1.2	3.90	0.82	5815	1705	69	2.25	0.82	5815	1705	69	2.25	295	11	4.51	1.1	4.20	0.90	5238	1536	69	2.50	0.90	5238	1536	69	2.50	347	9.4	3.83	1.1	4.60	1.0	4532	1329	70	2.85	1.0	4532	1329	70	2.85	GR139R79 GRF139R79	4P	198	16	13.84	1.3	4.60	1.2	3976	1166	70	3.25	0.56	8471	2484			49	0.95	211	15	12.98	1.3	4.90	0.52	9065	2658	47	0.90	0.52	9065	2658	47			0.90	239	14	11.45	1.3	5.30	0.58	8226	2412	50	0.95	0.58	8226	2412	50	0.95			270	12	10.15	1.2	5.70	0.67	7070	2073	52	1.10	0.67	7070	2073	52	1.10	317	10	8.63	1.2	6.30	0.76	6272	1839	54	1.25	0.76	6272	1839	54	1.25	363	9.0	7.55	1.1	5.50	0.87	5450	1598	55	1.45	0.87	5450	1598	55	1.45	389	8.4	7.04	1.1	5.80	0.99	4764			1397	56	1.65	0.99	4764	1397	56	1.65	446	7.3	6.15			1.0	6.60	1.1	4181	1226	56	1.90	1.1	4181	1226	56			1.90	476	6.8	5.76	1.0	6.90	1.3	3717	1090	57	2.15	1.3	3717	1090	57	2.15	538	6.0	5.09	1.0	7.50	1.5	3243	951	57	2.45	1.5	3243	951	57	2.45	608	5.4	4.51	0.9	8.00	1.7	2834	831	57	2.80	1.7	2834	831	57	2.80	GR109R79 GRF109R79	4P	715	4.5	3.83	0.9	8.80	0.99	4798	1407	22	0.90	0.99	4798	1407			22	0.90	172	20	5.18	4.3	3.70	1.1	4123	1209	29	1.05	1.1	4123	1209	29			1.05	196	18	4.53	4.2	4.60	1.3	3598	1055	31	1.20	1.3	3598	1055	31	1.20			207	17	4.30	4.1	4.70	1.5	3134	919	33	1.35	1.5	3134	919	33	1.35	236	15	3.77	3.9	5.90	1.7	2779	815	34	1.55	1.7	2779	815	34	1.55	219	16	6.07	4.0	2.80	1.9	2445	717	34	1.75	1.9	2445	717	34	1.75	257	13	5.18	3.8	5.60	2.2	2135	626	35			2.00	2.2	2135	626	35	2.00	294	12	4.53	3.6	7.10			0.99	4774	1400	24	0.90	0.99	4774	1400	24	0.90	309			11	4.30	3.6	7.30	1.1	4181	1226	29	1.05	1.1	4181	1226	29	1.05	353	10	3.77	3.4	9.00	1.3	3765	1104	31	1.15	1.3	3765	1104	31	1.15	416	8	3.20	3.2	12	1.5	3202	939	33	1.35	1.5	3202	939	33	1.35	460	7	2.89	3.1	14	1.7	2803	822	34	1.55	1.7	2803	822	34	1.55	524	7	2.54	3.0	18	1.5	3199	938	4.4	0.95	1.5	3199	938	4.4	0.95	554	6	2.40	3.0	20	1.7	2810	824	21	1.05	1.7	2810	824	21	1.05	652	5	2.04	2.8	26	1.9	2513	737	23	1.20	1.9	2513	737	23	1.20	205	17	4.35	3.3	4.00	2.2	2155	632	24	1.40	2.2	2155	632	24	1.40	235	15	3.79	3.2	4.60	2.5	1910	560	25	1.55	2.5	1910	560	25	1.55	251	14	3.55	3.1	5.00	2.9	1651	484	26	1.80	2.9	1651	484	26	1.80	242	14	5.50	3.1	2.80	3.2	1470	431	26	2.00	3.2	1470	431	26	2.00	262	13	5.07	3.0	2.80	3.7	1293	379	27	2.30	3.7	1293	379	27	2.30	306	11	4.35	2.9	6.10											GR99R59 GRF99R59	4P	351	9.8	3.79	2.8	7.10																																																																																																																																																																																															
176	18	7.55	1.3	2.90	0.48	9883	2898	65	1.30	0.48	9883	2898	65	1.30	GR149R79 GRF149R79	4P																																																																																																																																																																																																																																																																																																																																																																																																																																																																																																																																																																																																																																																																																																																																																																																																																																																			
189	17	7.04	1.3	3.10	0.54	8713	2555	66	1.50	0.54	8713	2555	66	1.50			216	15	6.15	1.2	3.40	0.63	7540	2211	67	1.70	0.63	7540	2211	67	1.70			231	14	5.76	1.2	3.60	0.71	6654	1951	68	1.95	0.71	6654	1951			68	1.95	261	12	5.09	1.2	3.90	0.82	5815	1705	69	2.25	0.82	5815	1705	69			2.25	295	11	4.51	1.1	4.20	0.90	5238	1536	69	2.50	0.90	5238	1536	69	2.50			347	9.4	3.83	1.1	4.60	1.0	4532	1329	70	2.85	1.0	4532	1329	70	2.85	GR139R79 GRF139R79	4P	198	16	13.84	1.3	4.60	1.2	3976	1166	70	3.25	0.56	8471	2484	49	0.95	211	15	12.98	1.3	4.90	0.52	9065	2658	47	0.90	0.52	9065	2658			47	0.90	239	14	11.45	1.3	5.30	0.58	8226	2412	50	0.95	0.58			8226	2412	50	0.95	270	12	10.15	1.2	5.70	0.67	7070	2073	52	1.10	0.67	7070			2073	52	1.10	317	10	8.63	1.2	6.30	0.76	6272	1839	54	1.25	0.76	6272	1839			54	1.25	363	9.0	7.55	1.1	5.50	0.87	5450	1598	55	1.45	0.87	5450	1598	55	1.45	389	8.4	7.04	1.1	5.80	0.99	4764	1397	56	1.65	0.99	4764	1397	56	1.65	446	7.3	6.15	1.0	6.60	1.1	4181	1226	56	1.90	1.1	4181	1226	56	1.90	476	6.8	5.76	1.0	6.90			1.3	3717	1090	57	2.15	1.3	3717	1090	57	2.15	538			6.0	5.09	1.0	7.50	1.5	3243	951	57	2.45	1.5	3243	951	57	2.45	608	5.4	4.51	0.9	8.00	1.7	2834	831	57	2.80	1.7	2834	831	57	2.80	GR109R79 GRF109R79	4P	715	4.5	3.83	0.9	8.80	0.99	4798	1407	22	0.90	0.99	4798	1407	22	0.90	172	20	5.18	4.3	3.70	1.1	4123	1209	29	1.05	1.1	4123	1209			29	1.05	196	18	4.53	4.2	4.60	1.3	3598	1055	31	1.20	1.3			3598	1055	31	1.20	207	17	4.30	4.1	4.70	1.5	3134	919	33	1.35	1.5	3134			919	33	1.35	236	15	3.77	3.9	5.90	1.7	2779	815	34	1.55	1.7	2779	815			34	1.55	219	16	6.07	4.0	2.80	1.9	2445	717	34	1.75	1.9	2445	717	34	1.75	257	13	5.18	3.8	5.60	2.2	2135	626	35	2.00	2.2	2135	626	35	2.00	294	12	4.53	3.6	7.10	0.99	4774	1400	24	0.90	0.99	4774	1400	24	0.90	309	11	4.30	3.6	7.30	1.1	4181			1226	29	1.05	1.1	4181	1226	29	1.05	353	10	3.77			3.4	9.00	1.3	3765	1104	31	1.15	1.3	3765	1104	31	1.15	416	8	3.20	3.2	12	1.5	3202	939	33	1.35	1.5	3202	939	33	1.35	460	7	2.89	3.1	14	1.7	2803	822	34	1.55	1.7	2803	822	34	1.55	524	7	2.54	3.0	18	1.5	3199	938	4.4	0.95	1.5	3199	938	4.4	0.95	554	6	2.40	3.0	20	1.7	2810	824	21	1.05	1.7	2810	824	21	1.05	652	5	2.04	2.8	26	1.9	2513	737	23	1.20	1.9	2513	737	23	1.20	205	17	4.35	3.3	4.00	2.2	2155	632	24	1.40	2.2	2155	632	24	1.40	235	15	3.79	3.2	4.60	2.5	1910	560	25	1.55	2.5	1910	560	25	1.55	251	14	3.55	3.1	5.00	2.9	1651	484	26	1.80	2.9	1651	484	26	1.80	242	14	5.50	3.1	2.80	3.2	1470	431	26	2.00	3.2	1470	431	26	2.00	262	13	5.07	3.0	2.80	3.7	1293	379	27	2.30	3.7	1293	379	27	2.30	306	11	4.35	2.9	6.10											GR99R59 GRF99R59	4P	351	9.8	3.79	2.8	7.10																																																																																																																																																																																																																													
216	15	6.15	1.2	3.40	0.63	7540	2211	67	1.70	0.63	7540	2211	67	1.70			231	14	5.76	1.2	3.60	0.71	6654	1951	68	1.95	0.71	6654	1951	68	1.95			261	12	5.09	1.2	3.90	0.82	5815	1705	69	2.25	0.82	5815	1705			69	2.25	295	11	4.51	1.1	4.20	0.90	5238	1536	69	2.50	0.90	5238	1536	69			2.50	347	9.4	3.83	1.1	4.60	1.0	4532	1329	70	2.85	1.0	4532	1329	70	2.85	GR139R79 GRF139R79	4P	198	16	13.84	1.3	4.60	1.2	3976	1166	70	3.25	0.56	8471	2484	49	0.95			211	15	12.98	1.3	4.90	0.52	9065	2658	47	0.90	0.52	9065	2658	47	0.90	239	14	11.45	1.3	5.30	0.58	8226	2412	50	0.95	0.58	8226	2412			50	0.95	270	12	10.15	1.2	5.70	0.67	7070	2073	52	1.10	0.67			7070	2073	52	1.10	317	10	8.63	1.2	6.30	0.76	6272	1839	54	1.25	0.76	6272			1839	54	1.25	363	9.0	7.55	1.1	5.50	0.87	5450	1598	55	1.45	0.87	5450	1598			55	1.45	389	8.4	7.04	1.1	5.80	0.99	4764	1397	56	1.65	0.99	4764	1397	56	1.65	446	7.3	6.15	1.0	6.60	1.1	4181	1226	56	1.90	1.1	4181	1226	56	1.90	476	6.8	5.76	1.0	6.90	1.3	3717	1090	57	2.15	1.3	3717	1090	57	2.15	538	6.0	5.09	1.0	7.50			1.5	3243	951	57	2.45	1.5	3243	951	57	2.45	608	5.4	4.51	0.9	8.00	1.7	2834	831	57	2.80	1.7	2834	831	57	2.80	GR109R79 GRF109R79	4P	715	4.5	3.83	0.9	8.80	0.99	4798	1407	22	0.90	0.99	4798	1407	22	0.90			172	20	5.18	4.3	3.70	1.1	4123	1209	29	1.05	1.1	4123	1209	29	1.05	196	18	4.53	4.2	4.60	1.3	3598	1055	31	1.20	1.3	3598	1055			31	1.20	207	17	4.30	4.1	4.70	1.5	3134	919	33	1.35	1.5			3134	919	33	1.35	236	15	3.77	3.9	5.90	1.7	2779	815	34	1.55	1.7	2779			815	34	1.55	219	16	6.07	4.0	2.80	1.9	2445	717	34	1.75	1.9	2445	717			34	1.75	257	13	5.18	3.8	5.60	2.2	2135	626	35	2.00	2.2	2135	626	35	2.00	294	12	4.53	3.6	7.10	0.99	4774	1400	24	0.90	0.99	4774	1400	24	0.90	309	11	4.30	3.6	7.30	1.1	4181	1226	29	1.05	1.1	4181	1226	29	1.05	353	10	3.77	3.4	9.00	1.3	3765			1104	31	1.15	1.3	3765	1104	31	1.15	416	8	3.20	3.2	12	1.5	3202	939	33	1.35	1.5	3202	939	33	1.35	460	7	2.89	3.1	14	1.7	2803	822	34	1.55	1.7	2803	822	34	1.55	524	7	2.54	3.0	18	1.5	3199	938	4.4	0.95	1.5	3199	938	4.4	0.95	554	6	2.40	3.0	20	1.7	2810	824	21	1.05	1.7	2810	824	21	1.05	652	5	2.04	2.8	26	1.9	2513	737	23	1.20	1.9	2513	737	23	1.20	205	17	4.35	3.3	4.00	2.2	2155	632	24	1.40	2.2	2155	632	24	1.40	235	15	3.79	3.2	4.60	2.5	1910	560	25	1.55	2.5	1910	560	25	1.55	251	14	3.55	3.1	5.00	2.9	1651	484	26	1.80	2.9	1651	484	26	1.80	242	14	5.50	3.1	2.80	3.2	1470	431	26	2.00	3.2	1470	431	26	2.00	262	13	5.07	3.0	2.80	3.7	1293	379	27	2.30	3.7	1293	379	27	2.30	306	11	4.35	2.9	6.10											GR99R59 GRF99R59	4P	351	9.8	3.79	2.8	7.10																																																																																																																																																																																																																																														
231	14	5.76	1.2	3.60	0.71	6654	1951	68	1.95	0.71	6654	1951	68	1.95			261	12	5.09	1.2	3.90	0.82	5815	1705	69	2.25	0.82	5815	1705	69	2.25			295	11	4.51	1.1	4.20	0.90	5238	1536	69	2.50	0.90	5238	1536			69	2.50	347	9.4	3.83	1.1	4.60	1.0	4532	1329	70	2.85	1.0	4532	1329	70	2.85	GR139R79 GRF139R79	4P	198	16	13.84	1.3	4.60	1.2	3976	1166	70	3.25	0.56	8471	2484	49	0.95			211	15	12.98	1.3	4.90	0.52	9065	2658	47	0.90	0.52	9065	2658	47	0.90			239	14	11.45	1.3	5.30	0.58	8226	2412	50	0.95	0.58	8226	2412	50	0.95	270	12	10.15	1.2	5.70	0.67	7070	2073	52	1.10	0.67	7070	2073			52	1.10	317	10	8.63	1.2	6.30	0.76	6272	1839	54	1.25	0.76			6272	1839	54	1.25	363	9.0	7.55	1.1	5.50	0.87	5450	1598	55	1.45	0.87	5450			1598	55	1.45	389	8.4	7.04	1.1	5.80	0.99	4764	1397	56	1.65	0.99	4764	1397			56	1.65	446	7.3	6.15	1.0	6.60	1.1	4181	1226	56	1.90	1.1	4181	1226	56	1.90	476	6.8	5.76	1.0	6.90	1.3	3717	1090	57	2.15	1.3	3717	1090	57	2.15	538	6.0	5.09	1.0	7.50	1.5	3243	951	57	2.45	1.5	3243	951	57	2.45	608	5.4	4.51	0.9	8.00	1.7	2834	831	57	2.80	1.7	2834	831	57	2.80	GR109R79 GRF109R79	4P	715	4.5	3.83	0.9	8.80	0.99	4798	1407	22	0.90	0.99	4798	1407	22	0.90			172	20	5.18	4.3	3.70	1.1	4123	1209	29	1.05	1.1	4123	1209	29	1.05			196	18	4.53	4.2	4.60	1.3	3598	1055	31	1.20	1.3	3598	1055	31	1.20	207	17	4.30	4.1	4.70	1.5	3134	919	33	1.35	1.5	3134	919			33	1.35	236	15	3.77	3.9	5.90	1.7	2779	815	34	1.55	1.7			2779	815	34	1.55	219	16	6.07	4.0	2.80	1.9	2445	717	34	1.75	1.9	2445			717	34	1.75	257	13	5.18	3.8	5.60	2.2	2135	626	35	2.00	2.2	2135	626			35	2.00	294	12	4.53	3.6	7.10	0.99	4774	1400	24	0.90	0.99	4774	1400	24	0.90	309	11	4.30	3.6	7.30	1.1	4181	1226	29	1.05	1.1	4181	1226	29	1.05	353	10	3.77	3.4	9.00	1.3	3765	1104	31	1.15	1.3	3765	1104	31	1.15	416	8	3.20	3.2	12	1.5	3202	939	33	1.35	1.5	3202	939	33	1.35	460	7	2.89	3.1	14	1.7	2803	822	34	1.55	1.7	2803	822	34	1.55	524	7	2.54	3.0	18	1.5	3199	938	4.4	0.95	1.5	3199	938	4.4	0.95	554	6	2.40	3.0	20	1.7	2810	824	21	1.05	1.7	2810	824	21	1.05	652	5	2.04	2.8	26	1.9	2513	737	23	1.20	1.9	2513	737	23	1.20	205	17	4.35	3.3	4.00	2.2	2155	632	24	1.40	2.2	2155	632	24	1.40	235	15	3.79	3.2	4.60	2.5	1910	560	25	1.55	2.5	1910	560	25	1.55	251	14	3.55	3.1	5.00	2.9	1651	484	26	1.80	2.9	1651	484	26	1.80	242	14	5.50	3.1	2.80	3.2	1470	431	26	2.00	3.2	1470	431	26	2.00	262	13	5.07	3.0	2.80	3.7	1293	379	27	2.30	3.7	1293	379	27	2.30	306	11	4.35	2.9	6.10											GR99R59 GRF99R59	4P	351	9.8	3.79	2.8	7.10																																																																																																																																																																																																																																																															
261	12	5.09	1.2	3.90	0.82	5815	1705	69	2.25	0.82	5815	1705	69	2.25			295	11	4.51	1.1	4.20	0.90	5238	1536	69	2.50	0.90	5238	1536	69	2.50			347	9.4	3.83	1.1	4.60	1.0	4532	1329	70	2.85	1.0	4532	1329	70	2.85	GR139R79 GRF139R79	4P	198	16	13.84	1.3	4.60	1.2	3976	1166	70	3.25	0.56	8471	2484	49	0.95			211	15	12.98	1.3	4.90	0.52	9065	2658	47	0.90	0.52	9065	2658	47	0.90			239	14	11.45	1.3	5.30	0.58	8226	2412	50	0.95	0.58	8226	2412	50	0.95			270	12	10.15	1.2	5.70	0.67	7070	2073	52	1.10	0.67	7070	2073	52	1.10	317	10	8.63	1.2	6.30	0.76	6272	1839	54	1.25	0.76	6272	1839			54	1.25	363	9.0	7.55	1.1	5.50	0.87	5450	1598	55	1.45	0.87			5450	1598	55	1.45	389	8.4	7.04	1.1	5.80	0.99	4764	1397	56	1.65	0.99	4764			1397	56	1.65	446	7.3	6.15	1.0	6.60	1.1	4181	1226	56	1.90	1.1	4181	1226			56	1.90	476	6.8	5.76	1.0	6.90	1.3	3717	1090	57	2.15	1.3	3717	1090	57	2.15	538	6.0	5.09	1.0	7.50	1.5	3243	951	57	2.45	1.5	3243	951	57	2.45	608	5.4	4.51	0.9	8.00	1.7	2834	831	57	2.80	1.7	2834	831	57	2.80	GR109R79 GRF109R79	4P	715	4.5	3.83	0.9	8.80	0.99	4798	1407	22	0.90	0.99	4798	1407			22	0.90	172	20	5.18	4.3	3.70	1.1	4123	1209	29	1.05	1.1	4123	1209			29	1.05	196	18	4.53	4.2	4.60	1.3	3598	1055	31	1.20	1.3	3598	1055			31	1.20	207	17	4.30	4.1	4.70	1.5	3134	919	33	1.35	1.5	3134	919	33	1.35	236	15	3.77	3.9	5.90	1.7	2779	815	34	1.55	1.7			2779	815	34	1.55	219	16	6.07	4.0	2.80	1.9	2445	717	34			1.75	1.9	2445	717	34	1.75	257	13	5.18	3.8	5.60	2.2	2135	626	35	2.00			2.2	2135	626	35	2.00	294	12	4.53	3.6	7.10	0.99	4774	1400	24	0.90	0.99			4774	1400	24	0.90	309	11	4.30	3.6	7.30	1.1	4181	1226	29	1.05	1.1	4181	1226	29	1.05	353	10	3.77	3.4	9.00	1.3	3765	1104	31	1.15	1.3	3765	1104	31	1.15	416	8	3.20	3.2	12	1.5	3202	939	33	1.35	1.5	3202	939	33	1.35	460	7	2.89	3.1	14	1.7	2803	822	34	1.55	1.7	2803	822	34	1.55	524	7	2.54	3.0	18	1.5	3199	938	4.4	0.95	1.5	3199	938	4.4	0.95	554	6	2.40	3.0	20	1.7	2810	824	21	1.05	1.7	2810	824	21	1.05	652	5	2.04	2.8	26	1.9	2513	737	23	1.20	1.9	2513	737	23	1.20	205	17	4.35	3.3	4.00	2.2	2155	632	24	1.40	2.2	2155	632	24	1.40	235	15	3.79	3.2	4.60	2.5	1910	560	25	1.55	2.5	1910	560	25	1.55	251	14	3.55	3.1	5.00	2.9	1651	484	26	1.80	2.9	1651	484	26	1.80	242	14	5.50	3.1	2.80	3.2	1470	431	26	2.00	3.2	1470	431	26	2.00	262	13	5.07	3.0	2.80	3.7	1293	379	27	2.30	3.7	1293	379	27	2.30	306	11	4.35	2.9	6.10											GR99R59 GRF99R59	4P	351	9.8	3.79	2.8	7.10																																																																																																																																																																																																																																																																												
295	11	4.51	1.1	4.20	0.90	5238	1536	69	2.50	0.90	5238	1536	69	2.50			347	9.4	3.83	1.1	4.60	1.0	4532	1329	70	2.85	1.0	4532	1329	70	2.85	GR139R79 GRF139R79	4P	198	16	13.84	1.3	4.60	1.2	3976	1166	70	3.25	0.56	8471	2484	49	0.95			211	15	12.98	1.3	4.90	0.52	9065	2658	47	0.90	0.52	9065	2658	47	0.90			239	14	11.45	1.3	5.30	0.58	8226	2412	50	0.95	0.58	8226	2412	50	0.95			270	12	10.15	1.2	5.70	0.67	7070	2073	52	1.10	0.67	7070	2073	52	1.10			317	10	8.63	1.2	6.30	0.76	6272	1839	54	1.25	0.76	6272	1839	54	1.25	363	9.0	7.55	1.1	5.50	0.87	5450	1598	55	1.45	0.87	5450	1598			55	1.45	389	8.4	7.04	1.1	5.80	0.99	4764	1397	56	1.65	0.99			4764	1397	56	1.65	446	7.3	6.15	1.0	6.60	1.1	4181	1226	56	1.90	1.1	4181			1226	56	1.90	476	6.8	5.76	1.0	6.90	1.3	3717	1090	57	2.15	1.3	3717	1090			57	2.15	538	6.0	5.09	1.0	7.50	1.5	3243	951	57	2.45	1.5	3243	951	57	2.45	608	5.4	4.51	0.9	8.00	1.7	2834	831	57	2.80	1.7	2834	831	57	2.80	GR109R79 GRF109R79	4P	715	4.5	3.83	0.9	8.80	0.99	4798	1407	22	0.90	0.99	4798	1407			22	0.90	172	20	5.18	4.3	3.70	1.1	4123	1209	29	1.05	1.1			4123	1209	29	1.05	196	18	4.53	4.2	4.60	1.3	3598	1055	31	1.20	1.3			3598	1055	31	1.20	207	17	4.30	4.1	4.70	1.5	3134	919	33	1.35	1.5			3134	919	33	1.35	236	15	3.77	3.9	5.90	1.7	2779	815	34	1.55	1.7	2779	815	34	1.55	219	16	6.07	4.0	2.80	1.9	2445	717	34			1.75	1.9	2445	717	34	1.75	257	13	5.18	3.8	5.60	2.2	2135			626	35	2.00	2.2	2135	626	35	2.00	294	12	4.53	3.6	7.10	0.99	4774	1400			24	0.90	0.99	4774	1400	24	0.90	309	11	4.30	3.6	7.30	1.1	4181	1226	29			1.05	1.1	4181	1226	29	1.05	353	10	3.77	3.4	9.00	1.3	3765	1104	31	1.15	1.3	3765	1104	31	1.15	416	8	3.20	3.2	12	1.5	3202	939	33	1.35	1.5	3202	939	33	1.35	460	7	2.89	3.1	14	1.7	2803	822	34	1.55	1.7	2803	822	34	1.55	524	7	2.54	3.0	18	1.5	3199	938	4.4	0.95	1.5	3199	938	4.4	0.95	554	6	2.40	3.0	20	1.7	2810	824	21	1.05	1.7	2810	824	21	1.05	652	5	2.04	2.8	26	1.9	2513	737	23	1.20	1.9	2513	737	23	1.20	205	17	4.35	3.3	4.00	2.2	2155	632	24	1.40	2.2	2155	632	24	1.40	235	15	3.79	3.2	4.60	2.5	1910	560	25	1.55	2.5	1910	560	25	1.55	251	14	3.55	3.1	5.00	2.9	1651	484	26	1.80	2.9	1651	484	26	1.80	242	14	5.50	3.1	2.80	3.2	1470	431	26	2.00	3.2	1470	431	26	2.00	262	13	5.07	3.0	2.80	3.7	1293	379	27	2.30	3.7	1293	379	27	2.30	306	11	4.35	2.9	6.10											GR99R59 GRF99R59	4P	351	9.8	3.79	2.8	7.10																																																																																																																																																																																																																																																																																									
347	9.4	3.83	1.1	4.60	1.0	4532	1329	70	2.85	1.0	4532	1329	70	2.85	GR139R79 GRF139R79	4P																																																																																																																																																																																																																																																																																																																																																																																																																																																																																																																																																																																																																																																																																																																																																																																																																																																			
198	16	13.84	1.3	4.60	1.2	3976	1166	70	3.25	0.56	8471	2484	49	0.95			211	15	12.98	1.3	4.90	0.52	9065	2658	47	0.90	0.52	9065	2658	47	0.90			239	14	11.45	1.3	5.30	0.58	8226	2412	50	0.95	0.58	8226	2412	50	0.95			270	12	10.15	1.2	5.70	0.67	7070	2073	52	1.10	0.67	7070	2073	52	1.10			317	10	8.63	1.2	6.30	0.76	6272	1839	54	1.25	0.76	6272	1839	54	1.25			363	9.0	7.55	1.1	5.50	0.87	5450	1598	55	1.45	0.87	5450	1598	55	1.45			389	8.4	7.04	1.1	5.80	0.99	4764	1397	56	1.65	0.99	4764	1397	56	1.65	446	7.3	6.15	1.0	6.60	1.1	4181	1226	56	1.90	1.1	4181	1226			56	1.90	476	6.8	5.76	1.0	6.90	1.3	3717	1090	57	2.15	1.3			3717	1090	57	2.15	538	6.0	5.09	1.0	7.50	1.5	3243	951	57	2.45	1.5	3243	951	57	2.45	608	5.4	4.51	0.9	8.00	1.7	2834	831	57	2.80	1.7	2834	831	57	2.80	GR109R79 GRF109R79	4P	715	4.5	3.83	0.9	8.80	0.99	4798	1407	22	0.90	0.99	4798	1407	22	0.90	172	20	5.18	4.3	3.70	1.1	4123	1209	29	1.05	1.1	4123	1209	29	1.05	196	18			4.53	4.2	4.60	1.3	3598	1055	31	1.20	1.3	3598	1055	31	1.20			207	17	4.30	4.1	4.70	1.5	3134	919	33	1.35	1.5	3134	919			33	1.35	236	15	3.77	3.9	5.90	1.7	2779	815	34	1.55	1.7	2779	815			34	1.55	219	16	6.07	4.0	2.80	1.9	2445	717	34	1.75	1.9	2445	717			34	1.75	257	13	5.18	3.8	5.60	2.2	2135	626	35	2.00	2.2	2135	626	35	2.00	294	12	4.53	3.6	7.10	0.99	4774	1400	24	0.90	0.99			4774	1400	24	0.90	309	11	4.30	3.6	7.30	1.1	4181	1226	29			1.05	1.1	4181	1226	29	1.05	353	10	3.77	3.4	9.00	1.3	3765	1104	31	1.15	1.3	3765	1104	31	1.15	416	8	3.20	3.2	12	1.5	3202	939	33	1.35	1.5	3202	939	33	1.35	460	7	2.89	3.1	14	1.7	2803	822	34	1.55	1.7	2803	822	34	1.55	524	7	2.54	3.0	18	1.5	3199	938	4.4	0.95	1.5	3199	938	4.4	0.95	554	6	2.40	3.0	20	1.7	2810	824	21	1.05	1.7	2810	824	21	1.05	652	5	2.04	2.8	26	1.9	2513	737	23	1.20	1.9	2513	737	23	1.20	205	17	4.35	3.3	4.00	2.2	2155	632	24	1.40	2.2	2155	632	24	1.40	235	15	3.79	3.2	4.60	2.5	1910	560	25	1.55	2.5	1910	560	25	1.55	251	14	3.55	3.1	5.00	2.9	1651	484	26	1.80	2.9	1651	484	26	1.80	242	14	5.50	3.1	2.80	3.2	1470	431	26	2.00	3.2	1470	431	26	2.00	262	13	5.07	3.0	2.80	3.7	1293	379	27	2.30	3.7	1293	379	27	2.30	306	11	4.35	2.9	6.10											GR99R59 GRF99R59	4P	351	9.8	3.79	2.8	7.10																																																																																																																																																																																																																																																																																																																													
211	15	12.98	1.3	4.90	0.52	9065	2658	47	0.90	0.52	9065	2658	47	0.90			239	14	11.45	1.3	5.30	0.58	8226	2412	50	0.95	0.58	8226	2412	50	0.95			270	12	10.15	1.2	5.70	0.67	7070	2073	52	1.10	0.67	7070	2073	52	1.10			317	10	8.63	1.2	6.30	0.76	6272	1839	54	1.25	0.76	6272	1839	54	1.25			363	9.0	7.55	1.1	5.50	0.87	5450	1598	55	1.45	0.87	5450	1598	55	1.45			389	8.4	7.04	1.1	5.80	0.99	4764	1397	56	1.65	0.99	4764	1397	56	1.65			446	7.3	6.15	1.0	6.60	1.1	4181	1226	56	1.90	1.1	4181	1226	56	1.90	476	6.8	5.76	1.0	6.90	1.3	3717	1090	57	2.15	1.3	3717	1090			57	2.15	538	6.0	5.09	1.0	7.50	1.5	3243	951	57	2.45	1.5	3243	951	57	2.45	608	5.4	4.51	0.9	8.00	1.7	2834	831	57	2.80	1.7	2834	831	57	2.80	GR109R79 GRF109R79	4P	715	4.5	3.83	0.9	8.80	0.99	4798	1407	22	0.90	0.99	4798	1407	22	0.90			172	20	5.18	4.3	3.70	1.1	4123	1209	29	1.05	1.1	4123	1209	29	1.05	196	18	4.53	4.2	4.60	1.3	3598	1055	31	1.20	1.3	3598	1055	31	1.20	207	17			4.30	4.1	4.70	1.5	3134	919	33	1.35	1.5	3134	919	33	1.35			236	15	3.77	3.9	5.90	1.7	2779	815	34	1.55	1.7	2779	815			34	1.55	219	16	6.07	4.0	2.80	1.9	2445	717	34	1.75	1.9	2445	717			34	1.75	257	13	5.18	3.8	5.60	2.2	2135	626	35	2.00	2.2	2135	626			35	2.00	294	12	4.53	3.6	7.10	0.99	4774	1400	24	0.90	0.99	4774	1400	24	0.90	309	11	4.30	3.6	7.30	1.1	4181	1226	29	1.05	1.1			4181	1226	29	1.05	353	10	3.77	3.4	9.00	1.3	3765	1104	31	1.15	1.3	3765	1104	31	1.15	416	8	3.20	3.2	12	1.5	3202	939	33	1.35	1.5	3202	939	33	1.35	460	7	2.89	3.1	14	1.7	2803	822	34	1.55	1.7	2803	822	34	1.55	524	7	2.54	3.0	18	1.5	3199	938	4.4	0.95	1.5	3199	938	4.4	0.95	554	6	2.40	3.0	20	1.7	2810	824	21	1.05	1.7	2810	824	21	1.05	652	5	2.04	2.8	26	1.9	2513	737	23	1.20	1.9	2513	737	23	1.20	205	17	4.35	3.3	4.00	2.2	2155	632	24	1.40	2.2	2155	632	24	1.40	235	15	3.79	3.2	4.60	2.5	1910	560	25	1.55	2.5	1910	560	25	1.55	251	14	3.55	3.1	5.00	2.9	1651	484	26	1.80	2.9	1651	484	26	1.80	242	14	5.50	3.1	2.80	3.2	1470	431	26	2.00	3.2	1470	431	26	2.00	262	13	5.07	3.0	2.80	3.7	1293	379	27	2.30	3.7	1293	379	27	2.30	306	11	4.35	2.9	6.10											GR99R59 GRF99R59	4P	351	9.8	3.79	2.8	7.10																																																																																																																																																																																																																																																																																																																																														
239	14	11.45	1.3	5.30	0.58	8226	2412	50	0.95	0.58	8226	2412	50	0.95			270	12	10.15	1.2	5.70	0.67	7070	2073	52	1.10	0.67	7070	2073	52	1.10			317	10	8.63	1.2	6.30	0.76	6272	1839	54	1.25	0.76	6272	1839	54	1.25			363	9.0	7.55	1.1	5.50	0.87	5450	1598	55	1.45	0.87	5450	1598	55	1.45			389	8.4	7.04	1.1	5.80	0.99	4764	1397	56	1.65	0.99	4764	1397	56	1.65			446	7.3	6.15	1.0	6.60	1.1	4181	1226	56	1.90	1.1	4181	1226	56	1.90			476	6.8	5.76	1.0	6.90	1.3	3717	1090	57	2.15	1.3	3717	1090	57	2.15	538	6.0	5.09	1.0	7.50	1.5	3243	951	57	2.45	1.5	3243	951	57	2.45	608	5.4	4.51	0.9	8.00	1.7	2834	831	57	2.80	1.7	2834	831	57	2.80	GR109R79 GRF109R79	4P	715	4.5	3.83	0.9	8.80	0.99	4798	1407	22	0.90	0.99	4798	1407	22	0.90			172	20	5.18	4.3	3.70	1.1	4123	1209	29	1.05	1.1	4123	1209	29	1.05			196	18	4.53	4.2	4.60	1.3	3598	1055	31	1.20	1.3	3598	1055	31	1.20	207	17	4.30	4.1	4.70	1.5	3134	919	33	1.35	1.5	3134	919	33	1.35	236	15			3.77	3.9	5.90	1.7	2779	815	34	1.55	1.7	2779	815	34	1.55			219	16	6.07	4.0	2.80	1.9	2445	717	34	1.75	1.9	2445	717			34	1.75	257	13	5.18	3.8	5.60	2.2	2135	626	35	2.00	2.2	2135	626			35	2.00	294	12	4.53	3.6	7.10	0.99	4774	1400	24	0.90	0.99	4774	1400			24	0.90	309	11	4.30	3.6	7.30	1.1	4181	1226	29	1.05	1.1	4181	1226	29	1.05	353	10	3.77	3.4	9.00	1.3	3765	1104	31	1.15	1.3	3765	1104	31	1.15	416	8	3.20	3.2	12	1.5	3202	939	33	1.35	1.5	3202	939	33	1.35	460	7	2.89	3.1	14	1.7	2803	822	34	1.55	1.7	2803	822	34	1.55	524	7	2.54	3.0	18	1.5	3199	938	4.4	0.95	1.5	3199	938	4.4	0.95	554	6	2.40	3.0	20	1.7	2810	824	21	1.05	1.7	2810	824	21	1.05	652	5	2.04	2.8	26	1.9	2513	737	23	1.20	1.9	2513	737	23	1.20	205	17	4.35	3.3	4.00	2.2	2155	632	24	1.40	2.2	2155	632	24	1.40	235	15	3.79	3.2	4.60	2.5	1910	560	25	1.55	2.5	1910	560	25	1.55	251	14	3.55	3.1	5.00	2.9	1651	484	26	1.80	2.9	1651	484	26	1.80	242	14	5.50	3.1	2.80	3.2	1470	431	26	2.00	3.2	1470	431	26	2.00	262	13	5.07	3.0	2.80	3.7	1293	379	27	2.30	3.7	1293	379	27	2.30	306	11	4.35	2.9	6.10											GR99R59 GRF99R59	4P	351	9.8	3.79	2.8	7.10																																																																																																																																																																																																																																																																																																																																																															
270	12	10.15	1.2	5.70	0.67	7070	2073	52	1.10	0.67	7070	2073	52	1.10			317	10	8.63	1.2	6.30	0.76	6272	1839	54	1.25	0.76	6272	1839	54	1.25			363	9.0	7.55	1.1	5.50	0.87	5450	1598	55	1.45	0.87	5450	1598	55	1.45			389	8.4	7.04	1.1	5.80	0.99	4764	1397	56	1.65	0.99	4764	1397	56	1.65			446	7.3	6.15	1.0	6.60	1.1	4181	1226	56	1.90	1.1	4181	1226	56	1.90			476	6.8	5.76	1.0	6.90	1.3	3717	1090	57	2.15	1.3	3717	1090	57	2.15			538	6.0	5.09	1.0	7.50	1.5	3243	951	57	2.45	1.5	3243	951	57	2.45	608	5.4	4.51	0.9	8.00	1.7	2834	831	57	2.80	1.7	2834	831	57	2.80	GR109R79 GRF109R79	4P	715	4.5	3.83	0.9	8.80	0.99	4798	1407	22	0.90	0.99	4798	1407			22	0.90	172	20	5.18	4.3	3.70	1.1	4123	1209	29	1.05	1.1	4123	1209			29	1.05	196	18	4.53	4.2	4.60	1.3	3598	1055	31	1.20	1.3	3598	1055			31	1.20	207	17	4.30	4.1	4.70	1.5	3134	919	33	1.35	1.5	3134	919	33	1.35	236	15	3.77	3.9	5.90	1.7	2779	815	34	1.55	1.7	2779	815	34	1.55			219	16	6.07	4.0	2.80	1.9	2445	717	34	1.75	1.9	2445	717			34	1.75	257	13	5.18	3.8	5.60	2.2	2135	626	35	2.00	2.2			2135	626	35	2.00	294	12	4.53	3.6	7.10	0.99	4774	1400	24	0.90	0.99			4774	1400	24	0.90	309	11	4.30	3.6	7.30	1.1	4181	1226	29	1.05	1.1			4181	1226	29	1.05	353	10	3.77	3.4	9.00	1.3	3765	1104	31	1.15	1.3	3765	1104	31	1.15	416	8	3.20	3.2	12	1.5	3202	939	33	1.35	1.5	3202	939	33	1.35	460	7	2.89	3.1	14	1.7	2803	822	34	1.55	1.7	2803	822	34	1.55	524	7	2.54	3.0	18	1.5	3199	938	4.4	0.95	1.5	3199	938	4.4	0.95	554	6	2.40	3.0	20	1.7	2810	824	21	1.05	1.7	2810	824	21	1.05	652	5	2.04	2.8	26	1.9	2513	737	23	1.20	1.9	2513	737	23	1.20	205	17	4.35	3.3	4.00	2.2	2155	632	24	1.40	2.2	2155	632	24	1.40	235	15	3.79	3.2	4.60	2.5	1910	560	25	1.55	2.5	1910	560	25	1.55	251	14	3.55	3.1	5.00	2.9	1651	484	26	1.80	2.9	1651	484	26	1.80	242	14	5.50	3.1	2.80	3.2	1470	431	26	2.00	3.2	1470	431	26	2.00	262	13	5.07	3.0	2.80	3.7	1293	379	27	2.30	3.7	1293	379	27	2.30	306	11	4.35	2.9	6.10											GR99R59 GRF99R59	4P	351	9.8	3.79	2.8	7.10																																																																																																																																																																																																																																																																																																																																																																												
317	10	8.63	1.2	6.30	0.76	6272	1839	54	1.25	0.76	6272	1839	54	1.25			363	9.0	7.55	1.1	5.50	0.87	5450	1598	55	1.45	0.87	5450	1598	55	1.45			389	8.4	7.04	1.1	5.80	0.99	4764	1397	56	1.65	0.99	4764	1397	56	1.65			446	7.3	6.15	1.0	6.60	1.1	4181	1226	56	1.90	1.1	4181	1226	56	1.90			476	6.8	5.76	1.0	6.90	1.3	3717	1090	57	2.15	1.3	3717	1090	57	2.15			538	6.0	5.09	1.0	7.50	1.5	3243	951	57	2.45	1.5	3243	951	57	2.45	608	5.4	4.51	0.9	8.00	1.7	2834	831	57	2.80	1.7	2834	831	57	2.80	GR109R79 GRF109R79	4P	715	4.5	3.83	0.9	8.80	0.99	4798	1407	22	0.90	0.99	4798	1407	22	0.90			172	20	5.18	4.3	3.70	1.1	4123	1209	29	1.05	1.1	4123	1209			29	1.05	196	18	4.53	4.2	4.60	1.3	3598	1055	31	1.20	1.3	3598	1055			31	1.20	207	17	4.30	4.1	4.70	1.5	3134	919	33	1.35	1.5	3134	919			33	1.35	236	15	3.77	3.9	5.90	1.7	2779	815	34	1.55	1.7	2779	815	34	1.55	219	16	6.07	4.0	2.80	1.9	2445	717	34	1.75	1.9	2445	717	34	1.75			257	13	5.18	3.8	5.60	2.2	2135	626	35	2.00	2.2	2135	626			35	2.00	294	12	4.53	3.6	7.10	0.99	4774	1400	24	0.90	0.99			4774	1400	24	0.90	309	11	4.30	3.6	7.30	1.1	4181	1226	29	1.05	1.1			4181	1226	29	1.05	353	10	3.77	3.4	9.00	1.3	3765	1104	31	1.15	1.3	3765	1104	31	1.15	416	8	3.20	3.2	12	1.5	3202	939	33	1.35	1.5	3202	939	33	1.35	460	7	2.89	3.1	14	1.7	2803	822	34	1.55	1.7	2803	822	34	1.55	524	7	2.54	3.0	18	1.5	3199	938	4.4	0.95	1.5	3199	938	4.4	0.95	554	6	2.40	3.0	20	1.7	2810	824	21	1.05	1.7	2810	824	21	1.05	652	5	2.04	2.8	26	1.9	2513	737	23	1.20	1.9	2513	737	23	1.20	205	17	4.35	3.3	4.00	2.2	2155	632	24	1.40	2.2	2155	632	24	1.40	235	15	3.79	3.2	4.60	2.5	1910	560	25	1.55	2.5	1910	560	25	1.55	251	14	3.55	3.1	5.00	2.9	1651	484	26	1.80	2.9	1651	484	26	1.80	242	14	5.50	3.1	2.80	3.2	1470	431	26	2.00	3.2	1470	431	26	2.00	262	13	5.07	3.0	2.80	3.7	1293	379	27	2.30	3.7	1293	379	27	2.30	306	11	4.35	2.9	6.10											GR99R59 GRF99R59	4P	351	9.8	3.79	2.8	7.10																																																																																																																																																																																																																																																																																																																																																																																													
363	9.0	7.55	1.1	5.50	0.87	5450	1598	55	1.45	0.87	5450	1598	55	1.45			389	8.4	7.04	1.1	5.80	0.99	4764	1397	56	1.65	0.99	4764	1397	56	1.65			446	7.3	6.15	1.0	6.60	1.1	4181	1226	56	1.90	1.1	4181	1226	56	1.90			476	6.8	5.76	1.0	6.90	1.3	3717	1090	57	2.15	1.3	3717	1090	57	2.15			538	6.0	5.09	1.0	7.50	1.5	3243	951	57	2.45	1.5	3243	951	57	2.45	608	5.4	4.51	0.9	8.00	1.7	2834	831	57	2.80	1.7	2834	831	57	2.80	GR109R79 GRF109R79	4P	715	4.5	3.83	0.9	8.80	0.99	4798	1407	22	0.90	0.99	4798	1407	22	0.90			172	20	5.18	4.3	3.70	1.1	4123	1209	29	1.05	1.1	4123	1209	29	1.05			196	18	4.53	4.2	4.60	1.3	3598	1055	31	1.20	1.3	3598	1055			31	1.20	207	17	4.30	4.1	4.70	1.5	3134	919	33	1.35	1.5	3134	919			33	1.35	236	15	3.77	3.9	5.90	1.7	2779	815	34	1.55	1.7	2779	815			34	1.55	219	16	6.07	4.0	2.80	1.9	2445	717	34	1.75	1.9	2445	717	34	1.75	257	13	5.18	3.8	5.60	2.2	2135	626	35	2.00	2.2	2135	626	35	2.00			294	12	4.53	3.6	7.10	0.99	4774	1400	24	0.90	0.99	4774	1400			24	0.90	309	11	4.30	3.6	7.30	1.1	4181	1226	29	1.05	1.1			4181	1226	29	1.05	353	10	3.77	3.4	9.00	1.3	3765	1104	31	1.15	1.3	3765	1104	31	1.15	416	8	3.20	3.2	12	1.5	3202	939	33	1.35	1.5	3202	939	33	1.35	460	7	2.89	3.1	14	1.7	2803	822	34	1.55	1.7	2803	822	34	1.55	524	7	2.54	3.0	18	1.5	3199	938	4.4	0.95	1.5	3199	938	4.4	0.95	554	6	2.40	3.0	20	1.7	2810	824	21	1.05	1.7	2810	824	21	1.05	652	5	2.04	2.8	26	1.9	2513	737	23	1.20	1.9	2513	737	23	1.20	205	17	4.35	3.3	4.00	2.2	2155	632	24	1.40	2.2	2155	632	24	1.40	235	15	3.79	3.2	4.60	2.5	1910	560	25	1.55	2.5	1910	560	25	1.55	251	14	3.55	3.1	5.00	2.9	1651	484	26	1.80	2.9	1651	484	26	1.80	242	14	5.50	3.1	2.80	3.2	1470	431	26	2.00	3.2	1470	431	26	2.00	262	13	5.07	3.0	2.80	3.7	1293	379	27	2.30	3.7	1293	379	27	2.30	306	11	4.35	2.9	6.10											GR99R59 GRF99R59	4P	351	9.8	3.79	2.8	7.10																																																																																																																																																																																																																																																																																																																																																																																																														
389	8.4	7.04	1.1	5.80	0.99	4764	1397	56	1.65	0.99	4764	1397	56	1.65			446	7.3	6.15	1.0	6.60	1.1	4181	1226	56	1.90	1.1	4181	1226	56	1.90			476	6.8	5.76	1.0	6.90	1.3	3717	1090	57	2.15	1.3	3717	1090	57	2.15			538	6.0	5.09	1.0	7.50	1.5	3243	951	57	2.45	1.5	3243	951	57	2.45	608	5.4	4.51	0.9	8.00	1.7	2834	831	57	2.80	1.7	2834	831	57	2.80	GR109R79 GRF109R79	4P	715	4.5	3.83	0.9	8.80	0.99	4798	1407	22	0.90	0.99	4798	1407	22	0.90			172	20	5.18	4.3	3.70	1.1	4123	1209	29	1.05	1.1	4123	1209	29	1.05			196	18	4.53	4.2	4.60	1.3	3598	1055	31	1.20	1.3	3598	1055	31	1.20			207	17	4.30	4.1	4.70	1.5	3134	919	33	1.35	1.5	3134	919			33	1.35	236	15	3.77	3.9	5.90	1.7	2779	815	34	1.55	1.7	2779	815			34	1.55	219	16	6.07	4.0	2.80	1.9	2445	717	34	1.75	1.9	2445	717			34	1.75	257	13	5.18	3.8	5.60	2.2	2135	626	35	2.00	2.2	2135	626	35	2.00	294	12	4.53	3.6	7.10	0.99	4774	1400	24	0.90	0.99	4774	1400	24	0.90			309	11	4.30	3.6	7.30	1.1	4181	1226	29	1.05	1.1	4181	1226			29	1.05	353	10	3.77	3.4	9.00	1.3	3765	1104	31	1.15	1.3	3765	1104	31	1.15	416	8	3.20	3.2	12	1.5	3202	939	33	1.35	1.5	3202	939	33	1.35	460	7	2.89	3.1	14	1.7	2803	822	34	1.55	1.7	2803	822	34	1.55	524	7	2.54	3.0	18	1.5	3199	938	4.4	0.95	1.5	3199	938	4.4	0.95	554	6	2.40	3.0	20	1.7	2810	824	21	1.05	1.7	2810	824	21	1.05	652	5	2.04	2.8	26	1.9	2513	737	23	1.20	1.9	2513	737	23	1.20	205	17	4.35	3.3	4.00	2.2	2155	632	24	1.40	2.2	2155	632	24	1.40	235	15	3.79	3.2	4.60	2.5	1910	560	25	1.55	2.5	1910	560	25	1.55	251	14	3.55	3.1	5.00	2.9	1651	484	26	1.80	2.9	1651	484	26	1.80	242	14	5.50	3.1	2.80	3.2	1470	431	26	2.00	3.2	1470	431	26	2.00	262	13	5.07	3.0	2.80	3.7	1293	379	27	2.30	3.7	1293	379	27	2.30	306	11	4.35	2.9	6.10											GR99R59 GRF99R59	4P	351	9.8	3.79	2.8	7.10																																																																																																																																																																																																																																																																																																																																																																																																																															
446	7.3	6.15	1.0	6.60	1.1	4181	1226	56	1.90	1.1	4181	1226	56	1.90			476	6.8	5.76	1.0	6.90	1.3	3717	1090	57	2.15	1.3	3717	1090	57	2.15			538	6.0	5.09	1.0	7.50	1.5	3243	951	57	2.45	1.5	3243	951	57	2.45	608	5.4	4.51	0.9	8.00	1.7	2834	831	57	2.80	1.7	2834	831	57	2.80	GR109R79 GRF109R79	4P	715	4.5	3.83	0.9	8.80	0.99	4798	1407	22	0.90	0.99	4798	1407	22	0.90			172	20	5.18	4.3	3.70	1.1	4123	1209	29	1.05	1.1	4123	1209	29	1.05			196	18	4.53	4.2	4.60	1.3	3598	1055	31	1.20	1.3	3598	1055	31	1.20			207	17	4.30	4.1	4.70	1.5	3134	919	33	1.35	1.5	3134	919	33	1.35			236	15	3.77	3.9	5.90	1.7	2779	815	34	1.55	1.7	2779	815			34	1.55	219	16	6.07	4.0	2.80	1.9	2445	717	34	1.75	1.9	2445	717			34	1.75	257	13	5.18	3.8	5.60	2.2	2135	626	35	2.00	2.2	2135	626			35	2.00	294	12	4.53	3.6	7.10	0.99	4774	1400	24	0.90	0.99	4774	1400	24	0.90	309	11	4.30	3.6	7.30	1.1	4181	1226	29	1.05	1.1	4181	1226	29	1.05			353	10	3.77	3.4	9.00	1.3	3765	1104	31	1.15	1.3	3765	1104	31	1.15	416	8	3.20	3.2	12	1.5	3202	939	33	1.35	1.5	3202	939	33	1.35	460	7	2.89	3.1	14	1.7	2803	822	34	1.55	1.7	2803	822	34	1.55	524	7	2.54	3.0	18	1.5	3199	938	4.4	0.95	1.5	3199	938	4.4	0.95	554	6	2.40	3.0	20	1.7	2810	824	21	1.05	1.7	2810	824	21	1.05	652	5	2.04	2.8	26	1.9	2513	737	23	1.20	1.9	2513	737	23	1.20	205	17	4.35	3.3	4.00	2.2	2155	632	24	1.40	2.2	2155	632	24	1.40	235	15	3.79	3.2	4.60	2.5	1910	560	25	1.55	2.5	1910	560	25	1.55	251	14	3.55	3.1	5.00	2.9	1651	484	26	1.80	2.9	1651	484	26	1.80	242	14	5.50	3.1	2.80	3.2	1470	431	26	2.00	3.2	1470	431	26	2.00	262	13	5.07	3.0	2.80	3.7	1293	379	27	2.30	3.7	1293	379	27	2.30	306	11	4.35	2.9	6.10											GR99R59 GRF99R59	4P	351	9.8	3.79	2.8	7.10																																																																																																																																																																																																																																																																																																																																																																																																																																																
476	6.8	5.76	1.0	6.90	1.3	3717	1090	57	2.15	1.3	3717	1090	57	2.15			538	6.0	5.09	1.0	7.50	1.5	3243	951	57	2.45	1.5	3243	951	57	2.45	608	5.4	4.51	0.9	8.00	1.7	2834	831	57	2.80	1.7	2834	831	57	2.80	GR109R79 GRF109R79	4P	715	4.5	3.83	0.9	8.80	0.99	4798	1407	22	0.90	0.99	4798	1407	22	0.90			172	20	5.18	4.3	3.70	1.1	4123	1209	29	1.05	1.1	4123	1209	29	1.05			196	18	4.53	4.2	4.60	1.3	3598	1055	31	1.20	1.3	3598	1055	31	1.20			207	17	4.30	4.1	4.70	1.5	3134	919	33	1.35	1.5	3134	919	33	1.35			236	15	3.77	3.9	5.90	1.7	2779	815	34	1.55	1.7	2779	815	34	1.55			219	16	6.07	4.0	2.80	1.9	2445	717	34	1.75	1.9	2445	717			34	1.75	257	13	5.18	3.8	5.60	2.2	2135	626	35	2.00	2.2	2135	626			35	2.00	294	12	4.53	3.6	7.10	0.99	4774	1400	24	0.90	0.99	4774	1400			24	0.90	309	11	4.30	3.6	7.30	1.1	4181	1226	29	1.05	1.1	4181	1226	29	1.05	353	10	3.77	3.4	9.00	1.3	3765	1104	31	1.15	1.3	3765	1104	31	1.15	416	8	3.20	3.2	12	1.5	3202	939	33	1.35	1.5	3202	939	33	1.35	460	7	2.89	3.1	14	1.7	2803	822	34	1.55	1.7	2803	822	34	1.55	524	7	2.54	3.0	18	1.5	3199	938	4.4	0.95	1.5	3199	938	4.4	0.95	554	6	2.40	3.0	20	1.7	2810	824	21	1.05	1.7	2810	824	21	1.05	652	5	2.04	2.8	26	1.9	2513	737	23	1.20	1.9	2513	737	23	1.20	205	17	4.35	3.3	4.00	2.2	2155	632	24	1.40	2.2	2155	632	24	1.40	235	15	3.79	3.2	4.60	2.5	1910	560	25	1.55	2.5	1910	560	25	1.55	251	14	3.55	3.1	5.00	2.9	1651	484	26	1.80	2.9	1651	484	26	1.80	242	14	5.50	3.1	2.80	3.2	1470	431	26	2.00	3.2	1470	431	26	2.00	262	13	5.07	3.0	2.80	3.7	1293	379	27	2.30	3.7	1293	379	27	2.30	306	11	4.35	2.9	6.10											GR99R59 GRF99R59	4P	351	9.8	3.79	2.8	7.10																																																																																																																																																																																																																																																																																																																																																																																																																																																																	
538	6.0	5.09	1.0	7.50	1.5	3243	951	57	2.45	1.5	3243	951	57	2.45	608	5.4	4.51	0.9	8.00	1.7	2834	831	57	2.80	1.7	2834	831	57	2.80	GR109R79 GRF109R79	4P	715	4.5	3.83	0.9	8.80	0.99	4798	1407	22	0.90	0.99	4798	1407	22	0.90			172	20	5.18	4.3	3.70	1.1	4123	1209	29	1.05	1.1	4123	1209	29	1.05			196	18	4.53	4.2	4.60	1.3	3598	1055	31	1.20	1.3	3598	1055	31	1.20			207	17	4.30	4.1	4.70	1.5	3134	919	33	1.35	1.5	3134	919	33	1.35			236	15	3.77	3.9	5.90	1.7	2779	815	34	1.55	1.7	2779	815	34	1.55			219	16	6.07	4.0	2.80	1.9	2445	717	34	1.75	1.9	2445	717	34	1.75			257	13	5.18	3.8	5.60	2.2	2135	626	35	2.00	2.2	2135	626			35	2.00	294	12	4.53	3.6	7.10	0.99	4774	1400	24	0.90	0.99	4774	1400			24	0.90	309	11	4.30	3.6	7.30	1.1	4181	1226	29	1.05	1.1	4181	1226			29	1.05	353	10	3.77	3.4	9.00	1.3	3765	1104	31	1.15	1.3	3765	1104	31	1.15	416	8	3.20	3.2	12	1.5	3202	939	33	1.35	1.5	3202	939	33	1.35	460	7	2.89	3.1	14	1.7	2803	822	34	1.55	1.7	2803	822	34	1.55	524	7	2.54	3.0	18	1.5	3199	938	4.4	0.95	1.5	3199	938	4.4	0.95	554	6	2.40	3.0	20	1.7	2810	824	21	1.05	1.7	2810	824	21	1.05	652	5	2.04	2.8	26	1.9	2513	737	23	1.20	1.9	2513	737	23	1.20	205	17	4.35	3.3	4.00	2.2	2155	632	24	1.40	2.2	2155	632	24	1.40	235	15	3.79	3.2	4.60	2.5	1910	560	25	1.55	2.5	1910	560	25	1.55	251	14	3.55	3.1	5.00	2.9	1651	484	26	1.80	2.9	1651	484	26	1.80	242	14	5.50	3.1	2.80	3.2	1470	431	26	2.00	3.2	1470	431	26	2.00	262	13	5.07	3.0	2.80	3.7	1293	379	27	2.30	3.7	1293	379	27	2.30	306	11	4.35	2.9	6.10											GR99R59 GRF99R59	4P	351	9.8	3.79	2.8	7.10																																																																																																																																																																																																																																																																																																																																																																																																																																																																																
608	5.4	4.51	0.9	8.00	1.7	2834	831	57	2.80	1.7	2834	831	57	2.80	GR109R79 GRF109R79	4P																																																																																																																																																																																																																																																																																																																																																																																																																																																																																																																																																																																																																																																																																																																																																																																																																																																			
715	4.5	3.83	0.9	8.80	0.99	4798	1407	22	0.90	0.99	4798	1407	22	0.90			172	20	5.18	4.3	3.70	1.1	4123	1209	29	1.05	1.1	4123	1209			29	1.05	196	18	4.53	4.2	4.60	1.3	3598	1055	31	1.20	1.3	3598	1055			31	1.20	207	17	4.30	4.1	4.70	1.5	3134	919	33	1.35	1.5	3134	919			33	1.35	236	15	3.77	3.9	5.90	1.7	2779	815	34	1.55	1.7	2779	815			34	1.55	219	16	6.07	4.0	2.80	1.9	2445	717	34	1.75	1.9	2445	717			34	1.75	257	13	5.18	3.8	5.60	2.2	2135	626	35	2.00	2.2	2135	626			35	2.00	294	12	4.53	3.6	7.10	0.99	4774	1400	24	0.90	0.99	4774	1400			24	0.90	309	11	4.30	3.6	7.30	1.1	4181	1226	29	1.05	1.1			4181	1226	29	1.05	353	10	3.77	3.4	9.00	1.3	3765	1104	31	1.15	1.3	3765	1104	31	1.15	416	8	3.20	3.2	12	1.5	3202	939	33	1.35	1.5	3202	939	33	1.35	460	7	2.89	3.1	14	1.7	2803	822	34	1.55	1.7	2803	822	34	1.55	524	7	2.54	3.0	18	1.5	3199	938	4.4	0.95	1.5	3199	938	4.4	0.95	554	6	2.40	3.0	20	1.7	2810	824	21	1.05	1.7	2810	824	21	1.05	652	5	2.04	2.8	26	1.9	2513	737	23	1.20	1.9	2513	737	23	1.20	205	17	4.35	3.3	4.00	2.2	2155	632	24	1.40	2.2	2155	632	24	1.40	235	15	3.79	3.2	4.60	2.5	1910	560	25	1.55	2.5	1910	560	25	1.55	251	14	3.55	3.1	5.00	2.9	1651	484	26	1.80	2.9	1651	484	26	1.80	242	14	5.50	3.1	2.80	3.2	1470	431	26	2.00	3.2	1470	431	26	2.00	262	13	5.07	3.0	2.80	3.7	1293	379	27	2.30	3.7	1293	379	27	2.30	306	11	4.35	2.9	6.10											GR99R59 GRF99R59	4P	351	9.8	3.79	2.8	7.10																																																																																																																																																																																																																																																																																																																																																																																																																																																																																																																
172	20	5.18	4.3	3.70	1.1	4123	1209	29	1.05	1.1	4123	1209	29	1.05			196	18	4.53	4.2	4.60	1.3	3598	1055	31	1.20	1.3	3598	1055			31	1.20	207	17	4.30	4.1	4.70	1.5	3134	919	33	1.35	1.5	3134	919			33	1.35	236	15	3.77	3.9	5.90	1.7	2779	815	34	1.55	1.7	2779	815			34	1.55	219	16	6.07	4.0	2.80	1.9	2445	717	34	1.75	1.9	2445	717			34	1.75	257	13	5.18	3.8	5.60	2.2	2135	626	35	2.00	2.2	2135	626			35	2.00	294	12	4.53	3.6	7.10	0.99	4774	1400	24	0.90	0.99	4774	1400			24	0.90	309	11	4.30	3.6	7.30	1.1	4181	1226	29	1.05	1.1	4181	1226			29	1.05	353	10	3.77	3.4	9.00	1.3	3765	1104	31	1.15	1.3	3765	1104	31	1.15	416	8	3.20	3.2	12	1.5	3202	939	33	1.35	1.5	3202	939	33	1.35	460	7	2.89	3.1	14	1.7	2803	822	34	1.55	1.7	2803	822	34	1.55	524	7	2.54	3.0	18	1.5	3199	938	4.4	0.95	1.5	3199	938	4.4	0.95	554	6	2.40	3.0	20	1.7	2810	824	21	1.05	1.7	2810	824	21	1.05	652	5	2.04	2.8	26	1.9	2513	737	23	1.20	1.9	2513	737	23	1.20	205	17	4.35	3.3	4.00	2.2	2155	632	24	1.40	2.2	2155	632	24	1.40	235	15	3.79	3.2	4.60	2.5	1910	560	25	1.55	2.5	1910	560	25	1.55	251	14	3.55	3.1	5.00	2.9	1651	484	26	1.80	2.9	1651	484	26	1.80	242	14	5.50	3.1	2.80	3.2	1470	431	26	2.00	3.2	1470	431	26	2.00	262	13	5.07	3.0	2.80	3.7	1293	379	27	2.30	3.7	1293	379	27	2.30	306	11	4.35	2.9	6.10											GR99R59 GRF99R59	4P	351	9.8	3.79	2.8	7.10																																																																																																																																																																																																																																																																																																																																																																																																																																																																																																																																	
196	18	4.53	4.2	4.60	1.3	3598	1055	31	1.20	1.3	3598	1055	31	1.20			207	17	4.30	4.1	4.70	1.5	3134	919	33	1.35	1.5	3134	919			33	1.35	236	15	3.77	3.9	5.90	1.7	2779	815	34	1.55	1.7	2779	815			34	1.55	219	16	6.07	4.0	2.80	1.9	2445	717	34	1.75	1.9	2445	717			34	1.75	257	13	5.18	3.8	5.60	2.2	2135	626	35	2.00	2.2	2135	626			35	2.00	294	12	4.53	3.6	7.10	0.99	4774	1400	24	0.90	0.99	4774	1400			24	0.90	309	11	4.30	3.6	7.30	1.1	4181	1226	29	1.05	1.1	4181	1226			29	1.05	353	10	3.77	3.4	9.00	1.3	3765	1104	31	1.15	1.3	3765	1104	31	1.15	416	8	3.20	3.2	12	1.5	3202	939	33	1.35	1.5	3202	939	33	1.35	460	7	2.89	3.1	14	1.7	2803	822	34	1.55	1.7	2803	822	34	1.55	524	7	2.54	3.0	18	1.5	3199	938	4.4	0.95	1.5	3199	938	4.4	0.95	554	6	2.40	3.0	20	1.7	2810	824	21	1.05	1.7	2810	824	21	1.05	652	5	2.04	2.8	26	1.9	2513	737	23	1.20	1.9	2513	737	23	1.20	205	17	4.35	3.3	4.00	2.2	2155	632	24	1.40	2.2	2155	632	24	1.40	235	15	3.79	3.2	4.60	2.5	1910	560	25	1.55	2.5	1910	560	25	1.55	251	14	3.55	3.1	5.00	2.9	1651	484	26	1.80	2.9	1651	484	26	1.80	242	14	5.50	3.1	2.80	3.2	1470	431	26	2.00	3.2	1470	431	26	2.00	262	13	5.07	3.0	2.80	3.7	1293	379	27	2.30	3.7	1293	379	27	2.30	306	11	4.35	2.9	6.10											GR99R59 GRF99R59	4P	351	9.8	3.79	2.8	7.10																																																																																																																																																																																																																																																																																																																																																																																																																																																																																																																																																		
207	17	4.30	4.1	4.70	1.5	3134	919	33	1.35	1.5	3134	919	33	1.35			236	15	3.77	3.9	5.90	1.7	2779	815	34	1.55	1.7	2779	815			34	1.55	219	16	6.07	4.0	2.80	1.9	2445	717	34	1.75	1.9	2445	717			34	1.75	257	13	5.18	3.8	5.60	2.2	2135	626	35	2.00	2.2	2135	626			35	2.00	294	12	4.53	3.6	7.10	0.99	4774	1400	24	0.90	0.99	4774	1400			24	0.90	309	11	4.30	3.6	7.30	1.1	4181	1226	29	1.05	1.1	4181	1226			29	1.05	353	10	3.77	3.4	9.00	1.3	3765	1104	31	1.15	1.3	3765	1104	31	1.15	416	8	3.20	3.2	12	1.5	3202	939	33	1.35	1.5	3202	939	33	1.35	460	7	2.89	3.1	14	1.7	2803	822	34	1.55	1.7	2803	822	34	1.55	524	7	2.54	3.0	18	1.5	3199	938	4.4	0.95	1.5	3199	938	4.4	0.95	554	6	2.40	3.0	20	1.7	2810	824	21	1.05	1.7	2810	824	21	1.05	652	5	2.04	2.8	26	1.9	2513	737	23	1.20	1.9	2513	737	23	1.20	205	17	4.35	3.3	4.00	2.2	2155	632	24	1.40	2.2	2155	632	24	1.40	235	15	3.79	3.2	4.60	2.5	1910	560	25	1.55	2.5	1910	560	25	1.55	251	14	3.55	3.1	5.00	2.9	1651	484	26	1.80	2.9	1651	484	26	1.80	242	14	5.50	3.1	2.80	3.2	1470	431	26	2.00	3.2	1470	431	26	2.00	262	13	5.07	3.0	2.80	3.7	1293	379	27	2.30	3.7	1293	379	27	2.30	306	11	4.35	2.9	6.10											GR99R59 GRF99R59	4P	351	9.8	3.79	2.8	7.10																																																																																																																																																																																																																																																																																																																																																																																																																																																																																																																																																																			
236	15	3.77	3.9	5.90	1.7	2779	815	34	1.55	1.7	2779	815	34	1.55			219	16	6.07	4.0	2.80	1.9	2445	717	34	1.75	1.9	2445	717			34	1.75	257	13	5.18	3.8	5.60	2.2	2135	626	35	2.00	2.2	2135	626			35	2.00	294	12	4.53	3.6	7.10	0.99	4774	1400	24	0.90	0.99	4774	1400			24	0.90	309	11	4.30	3.6	7.30	1.1	4181	1226	29	1.05	1.1	4181	1226			29	1.05	353	10	3.77	3.4	9.00	1.3	3765	1104	31	1.15	1.3	3765	1104	31	1.15	416	8	3.20	3.2	12	1.5	3202	939	33	1.35	1.5	3202	939	33	1.35	460	7	2.89	3.1	14	1.7	2803	822	34	1.55	1.7	2803	822	34	1.55	524	7	2.54	3.0	18	1.5	3199	938	4.4	0.95	1.5	3199	938	4.4	0.95	554	6	2.40	3.0	20	1.7	2810	824	21	1.05	1.7	2810	824	21	1.05	652	5	2.04	2.8	26	1.9	2513	737	23	1.20	1.9	2513	737	23	1.20	205	17	4.35	3.3	4.00	2.2	2155	632	24	1.40	2.2	2155	632	24	1.40	235	15	3.79	3.2	4.60	2.5	1910	560	25	1.55	2.5	1910	560	25	1.55	251	14	3.55	3.1	5.00	2.9	1651	484	26	1.80	2.9	1651	484	26	1.80	242	14	5.50	3.1	2.80	3.2	1470	431	26	2.00	3.2	1470	431	26	2.00	262	13	5.07	3.0	2.80	3.7	1293	379	27	2.30	3.7	1293	379	27	2.30	306	11	4.35	2.9	6.10											GR99R59 GRF99R59	4P	351	9.8	3.79	2.8	7.10																																																																																																																																																																																																																																																																																																																																																																																																																																																																																																																																																																																				
219	16	6.07	4.0	2.80	1.9	2445	717	34	1.75	1.9	2445	717	34	1.75			257	13	5.18	3.8	5.60	2.2	2135	626	35	2.00	2.2	2135	626			35	2.00	294	12	4.53	3.6	7.10	0.99	4774	1400	24	0.90	0.99	4774	1400			24	0.90	309	11	4.30	3.6	7.30	1.1	4181	1226	29	1.05	1.1	4181	1226			29	1.05	353	10	3.77	3.4	9.00	1.3	3765	1104	31	1.15	1.3	3765	1104	31	1.15	416	8	3.20	3.2	12	1.5	3202	939	33	1.35	1.5	3202	939	33	1.35	460	7	2.89	3.1	14	1.7	2803	822	34	1.55	1.7	2803	822	34	1.55	524	7	2.54	3.0	18	1.5	3199	938	4.4	0.95	1.5	3199	938	4.4	0.95	554	6	2.40	3.0	20	1.7	2810	824	21	1.05	1.7	2810	824	21	1.05	652	5	2.04	2.8	26	1.9	2513	737	23	1.20	1.9	2513	737	23	1.20	205	17	4.35	3.3	4.00	2.2	2155	632	24	1.40	2.2	2155	632	24	1.40	235	15	3.79	3.2	4.60	2.5	1910	560	25	1.55	2.5	1910	560	25	1.55	251	14	3.55	3.1	5.00	2.9	1651	484	26	1.80	2.9	1651	484	26	1.80	242	14	5.50	3.1	2.80	3.2	1470	431	26	2.00	3.2	1470	431	26	2.00	262	13	5.07	3.0	2.80	3.7	1293	379	27	2.30	3.7	1293	379	27	2.30	306	11	4.35	2.9	6.10											GR99R59 GRF99R59	4P	351	9.8	3.79	2.8	7.10																																																																																																																																																																																																																																																																																																																																																																																																																																																																																																																																																																																																					
257	13	5.18	3.8	5.60	2.2	2135	626	35	2.00	2.2	2135	626	35	2.00			294	12	4.53	3.6	7.10	0.99	4774	1400	24	0.90	0.99	4774	1400			24	0.90	309	11	4.30	3.6	7.30	1.1	4181	1226	29	1.05	1.1	4181	1226			29	1.05	353	10	3.77	3.4	9.00	1.3	3765	1104	31	1.15	1.3	3765	1104	31	1.15	416	8	3.20	3.2	12	1.5	3202	939	33	1.35	1.5	3202	939	33	1.35	460	7	2.89	3.1	14	1.7	2803	822	34	1.55	1.7	2803	822	34	1.55	524	7	2.54	3.0	18	1.5	3199	938	4.4	0.95	1.5	3199	938	4.4	0.95	554	6	2.40	3.0	20	1.7	2810	824	21	1.05	1.7	2810	824	21	1.05	652	5	2.04	2.8	26	1.9	2513	737	23	1.20	1.9	2513	737	23	1.20	205	17	4.35	3.3	4.00	2.2	2155	632	24	1.40	2.2	2155	632	24	1.40	235	15	3.79	3.2	4.60	2.5	1910	560	25	1.55	2.5	1910	560	25	1.55	251	14	3.55	3.1	5.00	2.9	1651	484	26	1.80	2.9	1651	484	26	1.80	242	14	5.50	3.1	2.80	3.2	1470	431	26	2.00	3.2	1470	431	26	2.00	262	13	5.07	3.0	2.80	3.7	1293	379	27	2.30	3.7	1293	379	27	2.30	306	11	4.35	2.9	6.10											GR99R59 GRF99R59	4P	351	9.8	3.79	2.8	7.10																																																																																																																																																																																																																																																																																																																																																																																																																																																																																																																																																																																																																						
294	12	4.53	3.6	7.10	0.99	4774	1400	24	0.90	0.99	4774	1400	24	0.90			309	11	4.30	3.6	7.30	1.1	4181	1226	29	1.05	1.1	4181	1226			29	1.05	353	10	3.77	3.4	9.00	1.3	3765	1104	31	1.15	1.3	3765	1104	31	1.15	416	8	3.20	3.2	12	1.5	3202	939	33	1.35	1.5	3202	939	33	1.35	460	7	2.89	3.1	14	1.7	2803	822	34	1.55	1.7	2803	822	34	1.55	524	7	2.54	3.0	18	1.5	3199	938	4.4	0.95	1.5	3199	938	4.4	0.95	554	6	2.40	3.0	20	1.7	2810	824	21	1.05	1.7	2810	824	21	1.05	652	5	2.04	2.8	26	1.9	2513	737	23	1.20	1.9	2513	737	23	1.20	205	17	4.35	3.3	4.00	2.2	2155	632	24	1.40	2.2	2155	632	24	1.40	235	15	3.79	3.2	4.60	2.5	1910	560	25	1.55	2.5	1910	560	25	1.55	251	14	3.55	3.1	5.00	2.9	1651	484	26	1.80	2.9	1651	484	26	1.80	242	14	5.50	3.1	2.80	3.2	1470	431	26	2.00	3.2	1470	431	26	2.00	262	13	5.07	3.0	2.80	3.7	1293	379	27	2.30	3.7	1293	379	27	2.30	306	11	4.35	2.9	6.10											GR99R59 GRF99R59	4P	351	9.8	3.79	2.8	7.10																																																																																																																																																																																																																																																																																																																																																																																																																																																																																																																																																																																																																																							
309	11	4.30	3.6	7.30	1.1	4181	1226	29	1.05	1.1	4181	1226	29	1.05			353	10	3.77	3.4	9.00	1.3	3765	1104	31	1.15	1.3	3765	1104	31	1.15	416	8	3.20	3.2	12	1.5	3202	939	33	1.35	1.5	3202	939	33	1.35	460	7	2.89	3.1	14	1.7	2803	822	34	1.55	1.7	2803	822	34	1.55	524	7	2.54	3.0	18	1.5	3199	938	4.4	0.95	1.5	3199	938	4.4	0.95	554	6	2.40	3.0	20	1.7	2810	824	21	1.05	1.7	2810	824	21	1.05	652	5	2.04	2.8	26	1.9	2513	737	23	1.20	1.9	2513	737	23	1.20	205	17	4.35	3.3	4.00	2.2	2155	632	24	1.40	2.2	2155	632	24	1.40	235	15	3.79	3.2	4.60	2.5	1910	560	25	1.55	2.5	1910	560	25	1.55	251	14	3.55	3.1	5.00	2.9	1651	484	26	1.80	2.9	1651	484	26	1.80	242	14	5.50	3.1	2.80	3.2	1470	431	26	2.00	3.2	1470	431	26	2.00	262	13	5.07	3.0	2.80	3.7	1293	379	27	2.30	3.7	1293	379	27	2.30	306	11	4.35	2.9	6.10											GR99R59 GRF99R59	4P	351	9.8	3.79	2.8	7.10																																																																																																																																																																																																																																																																																																																																																																																																																																																																																																																																																																																																																																																								
353	10	3.77	3.4	9.00	1.3	3765	1104	31	1.15	1.3	3765	1104	31	1.15	416	8	3.20	3.2	12	1.5	3202	939	33	1.35	1.5	3202	939	33	1.35	460	7	2.89	3.1	14	1.7	2803	822	34	1.55	1.7	2803	822	34	1.55	524	7	2.54	3.0	18	1.5	3199	938	4.4	0.95	1.5	3199	938	4.4	0.95	554	6	2.40	3.0	20	1.7	2810	824	21	1.05	1.7	2810	824	21	1.05	652	5	2.04	2.8	26	1.9	2513	737	23	1.20	1.9	2513	737	23	1.20	205	17	4.35	3.3	4.00	2.2	2155	632	24	1.40	2.2	2155	632	24	1.40	235	15	3.79	3.2	4.60	2.5	1910	560	25	1.55	2.5	1910	560	25	1.55	251	14	3.55	3.1	5.00	2.9	1651	484	26	1.80	2.9	1651	484	26	1.80	242	14	5.50	3.1	2.80	3.2	1470	431	26	2.00	3.2	1470	431	26	2.00	262	13	5.07	3.0	2.80	3.7	1293	379	27	2.30	3.7	1293	379	27	2.30	306	11	4.35	2.9	6.10											GR99R59 GRF99R59	4P	351	9.8	3.79	2.8	7.10																																																																																																																																																																																																																																																																																																																																																																																																																																																																																																																																																																																																																																																																									
416	8	3.20	3.2	12	1.5	3202	939	33	1.35	1.5	3202	939	33	1.35	460	7	2.89	3.1	14	1.7	2803	822	34	1.55	1.7	2803	822	34	1.55	524	7	2.54	3.0	18	1.5	3199	938	4.4	0.95	1.5	3199	938	4.4	0.95	554	6	2.40	3.0	20	1.7	2810	824	21	1.05	1.7	2810	824	21	1.05	652	5	2.04	2.8	26	1.9	2513	737	23	1.20	1.9	2513	737	23	1.20	205	17	4.35	3.3	4.00	2.2	2155	632	24	1.40	2.2	2155	632	24	1.40	235	15	3.79	3.2	4.60	2.5	1910	560	25	1.55	2.5	1910	560	25	1.55	251	14	3.55	3.1	5.00	2.9	1651	484	26	1.80	2.9	1651	484	26	1.80	242	14	5.50	3.1	2.80	3.2	1470	431	26	2.00	3.2	1470	431	26	2.00	262	13	5.07	3.0	2.80	3.7	1293	379	27	2.30	3.7	1293	379	27	2.30	306	11	4.35	2.9	6.10											GR99R59 GRF99R59	4P	351	9.8	3.79	2.8	7.10																																																																																																																																																																																																																																																																																																																																																																																																																																																																																																																																																																																																																																																																																								
460	7	2.89	3.1	14	1.7	2803	822	34	1.55	1.7	2803	822	34	1.55	524	7	2.54	3.0	18	1.5	3199	938	4.4	0.95	1.5	3199	938	4.4	0.95	554	6	2.40	3.0	20	1.7	2810	824	21	1.05	1.7	2810	824	21	1.05	652	5	2.04	2.8	26	1.9	2513	737	23	1.20	1.9	2513	737	23	1.20	205	17	4.35	3.3	4.00	2.2	2155	632	24	1.40	2.2	2155	632	24	1.40	235	15	3.79	3.2	4.60	2.5	1910	560	25	1.55	2.5	1910	560	25	1.55	251	14	3.55	3.1	5.00	2.9	1651	484	26	1.80	2.9	1651	484	26	1.80	242	14	5.50	3.1	2.80	3.2	1470	431	26	2.00	3.2	1470	431	26	2.00	262	13	5.07	3.0	2.80	3.7	1293	379	27	2.30	3.7	1293	379	27	2.30	306	11	4.35	2.9	6.10											GR99R59 GRF99R59	4P	351	9.8	3.79	2.8	7.10																																																																																																																																																																																																																																																																																																																																																																																																																																																																																																																																																																																																																																																																																																							
524	7	2.54	3.0	18	1.5	3199	938	4.4	0.95	1.5	3199	938	4.4	0.95	554	6	2.40	3.0	20	1.7	2810	824	21	1.05	1.7	2810	824	21	1.05	652	5	2.04	2.8	26	1.9	2513	737	23	1.20	1.9	2513	737	23	1.20	205	17	4.35	3.3	4.00	2.2	2155	632	24	1.40	2.2	2155	632	24	1.40	235	15	3.79	3.2	4.60	2.5	1910	560	25	1.55	2.5	1910	560	25	1.55	251	14	3.55	3.1	5.00	2.9	1651	484	26	1.80	2.9	1651	484	26	1.80	242	14	5.50	3.1	2.80	3.2	1470	431	26	2.00	3.2	1470	431	26	2.00	262	13	5.07	3.0	2.80	3.7	1293	379	27	2.30	3.7	1293	379	27	2.30	306	11	4.35	2.9	6.10											GR99R59 GRF99R59	4P	351	9.8	3.79	2.8	7.10																																																																																																																																																																																																																																																																																																																																																																																																																																																																																																																																																																																																																																																																																																																						
554	6	2.40	3.0	20	1.7	2810	824	21	1.05	1.7	2810	824	21	1.05	652	5	2.04	2.8	26	1.9	2513	737	23	1.20	1.9	2513	737	23	1.20	205	17	4.35	3.3	4.00	2.2	2155	632	24	1.40	2.2	2155	632	24	1.40	235	15	3.79	3.2	4.60	2.5	1910	560	25	1.55	2.5	1910	560	25	1.55	251	14	3.55	3.1	5.00	2.9	1651	484	26	1.80	2.9	1651	484	26	1.80	242	14	5.50	3.1	2.80	3.2	1470	431	26	2.00	3.2	1470	431	26	2.00	262	13	5.07	3.0	2.80	3.7	1293	379	27	2.30	3.7	1293	379	27	2.30	306	11	4.35	2.9	6.10											GR99R59 GRF99R59	4P	351	9.8	3.79	2.8	7.10																																																																																																																																																																																																																																																																																																																																																																																																																																																																																																																																																																																																																																																																																																																																					
652	5	2.04	2.8	26	1.9	2513	737	23	1.20	1.9	2513	737	23	1.20	205	17	4.35	3.3	4.00	2.2	2155	632	24	1.40	2.2	2155	632	24	1.40	235	15	3.79	3.2	4.60	2.5	1910	560	25	1.55	2.5	1910	560	25	1.55	251	14	3.55	3.1	5.00	2.9	1651	484	26	1.80	2.9	1651	484	26	1.80	242	14	5.50	3.1	2.80	3.2	1470	431	26	2.00	3.2	1470	431	26	2.00	262	13	5.07	3.0	2.80	3.7	1293	379	27	2.30	3.7	1293	379	27	2.30	306	11	4.35	2.9	6.10											GR99R59 GRF99R59	4P	351	9.8	3.79	2.8	7.10																																																																																																																																																																																																																																																																																																																																																																																																																																																																																																																																																																																																																																																																																																																																																				
205	17	4.35	3.3	4.00	2.2	2155	632	24	1.40	2.2	2155	632	24	1.40	235	15	3.79	3.2	4.60	2.5	1910	560	25	1.55	2.5	1910	560	25	1.55	251	14	3.55	3.1	5.00	2.9	1651	484	26	1.80	2.9	1651	484	26	1.80	242	14	5.50	3.1	2.80	3.2	1470	431	26	2.00	3.2	1470	431	26	2.00	262	13	5.07	3.0	2.80	3.7	1293	379	27	2.30	3.7	1293	379	27	2.30	306	11	4.35	2.9	6.10											GR99R59 GRF99R59	4P	351	9.8	3.79	2.8	7.10																																																																																																																																																																																																																																																																																																																																																																																																																																																																																																																																																																																																																																																																																																																																																																			
235	15	3.79	3.2	4.60	2.5	1910	560	25	1.55	2.5	1910	560	25	1.55	251	14	3.55	3.1	5.00	2.9	1651	484	26	1.80	2.9	1651	484	26	1.80	242	14	5.50	3.1	2.80	3.2	1470	431	26	2.00	3.2	1470	431	26	2.00	262	13	5.07	3.0	2.80	3.7	1293	379	27	2.30	3.7	1293	379	27	2.30	306	11	4.35	2.9	6.10											GR99R59 GRF99R59	4P	351	9.8	3.79	2.8	7.10																																																																																																																																																																																																																																																																																																																																																																																																																																																																																																																																																																																																																																																																																																																																																																																		
251	14	3.55	3.1	5.00	2.9	1651	484	26	1.80	2.9	1651	484	26	1.80	242	14	5.50	3.1	2.80	3.2	1470	431	26	2.00	3.2	1470	431	26	2.00	262	13	5.07	3.0	2.80	3.7	1293	379	27	2.30	3.7	1293	379	27	2.30	306	11	4.35	2.9	6.10											GR99R59 GRF99R59	4P	351	9.8	3.79	2.8	7.10																																																																																																																																																																																																																																																																																																																																																																																																																																																																																																																																																																																																																																																																																																																																																																																																	
242	14	5.50	3.1	2.80	3.2	1470	431	26	2.00	3.2	1470	431	26	2.00	262	13	5.07	3.0	2.80	3.7	1293	379	27	2.30	3.7	1293	379	27	2.30	306	11	4.35	2.9	6.10											GR99R59 GRF99R59	4P	351	9.8	3.79	2.8	7.10																																																																																																																																																																																																																																																																																																																																																																																																																																																																																																																																																																																																																																																																																																																																																																																																																
262	13	5.07	3.0	2.80	3.7	1293	379	27	2.30	3.7	1293	379	27	2.30	306	11	4.35	2.9	6.10											GR99R59 GRF99R59	4P	351	9.8	3.79	2.8	7.10																																																																																																																																																																																																																																																																																																																																																																																																																																																																																																																																																																																																																																																																																																																																																																																																																															
306	11	4.35	2.9	6.10											GR99R59 GRF99R59	4P																																																																																																																																																																																																																																																																																																																																																																																																																																																																																																																																																																																																																																																																																																																																																																																																																																																			
351	9.8	3.79	2.8	7.10																																																																																																																																																																																																																																																																																																																																																																																																																																																																																																																																																																																																																																																																																																																																																																																																																																																															

选型参数表

(恒功率) 0.55kW

Selection Table

(Constant Power) 0.55kW

n_a [r/min]	M_a [Nm]	i	F_{Ra} [kN]	f_B	机型号 Type size	极数 Pole	n_a [r/min]	M_a [Nm]	i	F_{Ra} [kN]	f_B	机型号 Type size	极数 Pole
0.55kW							0.55kW						
4.1	1146	336	27	2.60	GR99R59	4P	17	289	80.55	7.2	1.45	GR59 GRF59	4P
4.7	1009	296	27	3.00	GRF99R59		20	249	69.23	7.3	1.70		
5.6	849	249	27	3.55			21	233	64.85	7.4	1.80		
2.6	1797	527	14	0.85	GR89R59 GRF89R59	4P	24	206	57.29	7.2	2.00		
3.0	1562	458	16	1.00			26	191	53.22	7.0	2.20		
3.5	1361	399	17	1.15			29	173	48.23	6.8	2.40		
3.9	1207	354	18	1.30			32	155	43.30	6.6	2.70		
4.6	1027	301	19	1.50			37	134	37.30	6.4	3.10		
2.9	1617	474	15	0.95	GR89R59 GRF89R59	4P	40	126	35.07	6.3	3.30		
3.5	1371	402	17	1.10			53	94	26.31	5.8	4.40		
3.8	1238	363	18	1.25			56	90	24.99	5.7	4.70		
5.0	941	276	6.1	0.85	GR79R59 GRF79R59	4P	63	79	21.93	5.5	5.30		
5.9	805	236	9.4	1.00			75	67	18.60	5.2	6.30		
6.3	754	221	10	1.05			15	336	93.68	3.1	0.85		
7.5	634	186	11	1.30			16	305	84.90	5.0	0.90		
2.6	1933	255.71	25	1.50	GR99 GRF99	8P	18	274	76.23	5.2	1.00		
2.7	1824	241.25	26	1.60			20	246	68.54	5.3	1.15		
3.1	1635	216.28	26	1.80	GR99 GRF99	6P	22	231	64.21	5.4	1.20		
3.1	1624	289.74	26	1.75			25	204	56.73	5.5	1.35		
3.5	1434	255.71	26	2.00			26	189	52.69	5.5	1.45		
3.7	1353	241.25	26	2.10			29	171	47.75	5.3	1.65		
4.1	1213	216.28	27	2.40			32	154	42.87	5.2	1.80		
4.8	1040	289.74	27	2.70			38	133	36.93	5.0	2.10		
5.4	918	255.71	27	3.00			40	125	34.73	4.9	2.20		
5.8	866	241.25	27	3.20	GR99 GRF99	4P	47	107	29.88	4.7	2.60		
6.4	776	216.28	27	3.60			52	96	26.74	4.6	2.90		
3.6	1388	247.61	17	1.10			60	84	23.28	4.4	3.30		
4.1	1219	217.48	18	1.25			64	78	21.81	4.3	3.60		
4.3	1158	206.60	18	1.30			GR89 GRF89	6P	23	213	61.18	3.7	0.85
4.9	1023	182.55	19	1.45					25	194	55.76	4.5	0.95
5.7	875	156.01	19	1.70					29	167	48.08	4.9	1.10
5.6	889	247.61	19	1.65					31	156	44.81	5.0	1.15
6.4	781	217.48	19	1.85					35	136	39.17	4.8	1.30
6.7	742	206.60	19	1.95					38	128	36.72	4.7	1.40
7.6	655	182.55	19	2.20	43	113			32.40	4.6	1.60		
8.9	560	156.01	19	2.60	48	100			28.73	4.5	1.80		
9.7	513	143.03	19	2.80	57	85			24.42	4.3	2.10		
11	451	125.51	19	3.20	GR89 GRF89	4P			62	77	22.27	4.2	2.30
12	427	118.94	19	3.40			72	67	19.31	4.0	2.70		
13	374	104.10	19	3.90			77	63	18.05	3.9	2.90		
8.3	598	166.59	11	1.25			89	54	15.60	3.8	3.30		
9.5	523	145.67	11	1.45			105	46	13.25	3.6	3.70		
10	497	138.39	11	1.55			117	41	11.83	3.5	4.00		
11	436	121.42	12	1.75			GR79 GRF79	4P	35	136	39.25	3.1	0.85
13	370	102.99	12	2.10					38	128	36.79	3.1	0.90
15	334	92.97	12	2.30					43	113	32.47	3.0	1.05
17	294	81.80	12	2.60					48	100	28.78	2.9	1.15
18	277	77.24	12	2.80	57	85			24.47	2.8	1.40		
21	236	65.77	12	3.20	62	78			22.32	2.8	1.50		
8.8	568	158.14	7.1	1.00	GR69 GRF69	4P			72	67	19.35	2.7	1.75
10	494	137.67	7.9	1.15					77	63	18.08	2.6	1.85
11	463	128.97	8.2	1.20					89	54	15.63	2.5	2.20
12	409	113.94	8.6	1.35					105	46	13.28	2.4	2.50
13	380	105.83	8.8	1.45			117	41	11.86	2.3	2.80		
14	344	95.91	9.0	1.60			137	35	10.13	2.3	3.10		
16	309	86.11	9.2	1.80			148	33	9.41	2.2	3.40		
19	266	74.17	9.4	2.10			170	28	8.16	2.1	3.70		
20	250	69.75	10	2.20			182	27	7.63	2.1	3.80		
23	220	61.26	10	2.50			211	23	6.59	2.0	4.20		
24	204	56.89	10	2.70	248	19	5.60	1.9	4.60				
12	433	120.63	6.7	0.95	GR59 GRF59	4P	278	17	5.00	1.8	4.90		
13	383	106.58	6.9	1.10			326	15	4.27	1.7	5.30		
14	355	98.99	7.0	1.20			348	14	4.00	1.7	5.50		
15	322	89.71	7.1	1.30			412	12	3.37	1.6	6.10		

选型参数表

Selection Table

(恒功率) 0.55kW-0.75kW

(Constant Power) 0.55kW-0.75kW

n _a [r/min]	M _a [Nm]	i	F _{Ra} [kN]	f _B	机型号 Type size	极数 Pole	n _a [r/min]	M _a [Nm]	i	F _{Ra} [kN]	f _B	机型号 Type size	极数 Pole		
0.55kW							0.75kW								
51	95	53.76	0.2	0.80	GR19 GRF19	2P	0.48	13551	2914	128	2.7	GR179R99	4P		
58	84	47.44	1.2	0.90			0.54	11863	2551	128	3.1	GRF179R99			
62	78	44.18	1.5	1.00			0.26	25145	5407	114	0.80	GR169R99	4P		
71	68	38.61	1.5	1.15			0.30	21625	4650	114	0.80	GRF169R99			
71	69	19.71	1.5	1.10	GR19 GRF19	4P	0.34	19202	4129	114	0.90	GR169R99 GRF169R99	4P		
82	59	16.99	1.5	1.30			0.52	12356	2657	114	1.45				
88	55	15.84	1.5	1.40			0.60	10850	2333	114	1.65				
100	48	13.84	1.4	1.60			0.67	9696	2085	114	1.85				
107	45	12.98	1.4	1.70			0.97	6687	1438	114	2.70				
121	40	11.45	1.4	1.85			0.42	15356	3302	47	0.85	GR149R79	4P		
137	35	10.15	1.4	1.95			0.48	13477	2898	59	0.95	GRF149R79			
161	30	8.63	1.3	2.20			GR19 GRF19	4P	0.54	11882	2555	62	1.10	GR149R79 GRF149R79	4P
184	26	7.55	1.2	1.90					0.63	10282	2211	64	1.25		
197	24	7.04	1.2	2.00					0.71	9073	1951	66	1.45		
226	21	6.15	1.2	2.30					0.82	7929	1705	67	1.65		
241	20	5.76	1.2	2.40					0.90	7143	1536	68	1.85		
273	18	5.09	1.1	2.60	1.0	6180			1329	68	2.10				
308	16	4.51	1.1	2.80	1.2	5422			1166	69	2.40				
363	13	3.83	1.1	3.00	0.75	8664			1863	49	0.90	GR139R79 GRF139R79	4P		
317	15	8.63	1.1	4.30	0.88	7376	1586	52	1.05						
363	13	7.55	1.0	3.80	GR19 GRF19	2P	1.0	6469	1391	53	1.20	GR139R79 GRF139R79	4P		
389	12	7.04	1.0	4.00			1.1	5841	1256	54	1.35				
446	11	6.15	1.0	4.50			0.67	9640	2073	39	0.80			GR139R79 GRF139R79	4P
476	10	5.76	1.0	4.70			0.76	8552	1839	49	0.95				
538	9.0	5.09	0.9	5.20	0.87	7431	1598	52	1.05						
608	8.0	4.51	0.9	5.40	1.0	6497	1397	53	1.20						
715	6.8	3.83	0.9	6.00	1.1	5701	1226	55	1.40						
172	30	5.18	4.3	2.50	GRX69 GRXF69	6P	1.3	5069	1090	55	1.55	GR139R79 GRF139R79	4P		
196	26	4.53	4.1	3.10			1.5	4423	951	56	1.80				
207	25	4.30	4.0	3.20			1.7	3865	831	57	2.05				
236	22	3.77	3.9	4.00			1.9	3395	730	57	2.35				
268	19	5.18	3.8	3.80	GRX69 GRXF69	4P	1.3	4906	1055	18	0.85	GR109R79 GRF109R79	4P		
307	17	4.53	3.6	4.70			1.5	4274	919	28	1.00				
323	16	4.30	3.6	4.80			1.7	3790	815	30	1.15				
369	14	3.77	3.4	6.00			1.3	5134	1104	7	0.85	GR109R79 GRF109R79	4P		
434	12	3.20	3.2	8.10			1.5	4367	939	28	1.00				
481	11	2.89	3.1	9.50			1.7	3823	822	30	1.10				
547	9.4	2.54	3.0	12			3.8	1716	369	35	2.50				
579	8.8	2.40	3.0	13			4.3	1502	323	35	2.85				
681	7.5	2.04	2.8	17			2.2	2939	632	20	1.00	GR99R59 GRF99R59	4P		
747	6.9	1.86	2.7	18			2.5	2604	560	23	1.15				
863	5.9	1.61	2.6	18			2.9	2251	484	24	1.35				
205	25	4.35	3.3	2.70			3.2	2004	431	25	1.50				
235	22	3.79	3.1	3.10	3.7	1763	379	26	1.70						
251	20	3.55	3.1	3.30	4.1	1563	336	26	1.90						
283	18	3.14	3.0	3.50	4.7	1377	296	26	2.20						
306	17	2.91	2.9	3.90	5.6	1158	249	27	2.60						
320	16	4.35	2.9	4.10	GRX59 GRXF59	4P	3.5	1856	399	12	0.85	GR89R59 GRF89R59	4P		
367	14	3.79	2.8	4.70			3.9	1646	354	16	0.95				
392	13	3.55	2.7	5.00			5.2	1251	269	18	1.25				
443	12	3.14	2.6	5.40			5.9	1102	237	19	1.40				
478	11	2.91	2.5	6.00			3.8	1688	363	15	0.90	GR89R59 GRF89R59	4P		
527	9.7	2.64	2.5	6.80			4.6	1400	301	17	1.10				
586	8.7	2.37	2.4	7.50			5.4	1195	257	18	1.30				
681	7.5	2.04	2.3	8.70			2.7	2477	251.15	34	1.65	GR109 GRF109	8P		
724	7.1	1.92	2.2	9.30			3.0	2268	229.95	34	1.80				
842	6.1	1.65	2.1	11			3.4	2003	203.16	35	2.00				
939	5.5	1.48	2.0	12			3.2	2133	216.28	24	1.35	GR99 GRF99	8P		
1103	4.6	1.26	2.0	13			3.7	1837	186.30	25	1.55				
0.75kW							0.75kW								
0.16	41147	8848	128	0.9	GR179R99 GRF179R99	4P	4.1	1677	170.02	26	1.70	GR99 GRF99	8P		
0.25	25736	5534	128	1.4			3.6	1912	255.71	25	1.45				
0.28	22852	4914	128	1.6			3.8	1804	241.25	25	1.55	GR99 GRF99	6P		
0.45	14407	3098	128	2.5			4.2	1617	216.28	26	1.75				

选型参数表
(恒功率) 0.75kW
Selection Table
(Constant Power) 0.75kW

n_a [r/min]	M_a [Nm]	i	F_{Ra} [kN]	f_B	机型号 Type size	极数 Pole	n_a [r/min]	M_a [Nm]	i	F_{Ra} [kN]	f_B	机型号 Type size	极数 Pole																																																																																																																																																																																																																																																																																																																																																																																																																																																																																																																																																																																											
0.75kW							0.75kW																																																																																																																																																																																																																																																																																																																																																																																																																																																																																																																																																																																																	
4.8	1418	289.74	26	2.00	GR99 GRF99	4P	20	336	68.54	3.5	0.85	GR49 GRF49	4P																																																																																																																																																																																																																																																																																																																																																																																																																																																																																																																																																																																											
5.4	1252	255.71	27	2.30			5.8	1181	241.25	27	2.40			6.4	1059	216.28	27	2.70	7.5	912	186.30	27	3.10	8.2	832	170.02	27	3.40	4.2	1626	217.48	15	0.90	GR89 GRF89	6P	26	258	52.69	5.2	1.10	GR49 GRF49	4P	4.4	1545	206.60	15	0.95	5.0	1365	182.55	17	1.05	5.8	1167	156.01	18	1.25	GR89 GRF89	6P	29	234	47.75	5.1	1.20	6.4	1069	143.03	18	1.35	5.6	1212	247.61	18	1.20	GR89 GRF89	4P	32	210	42.87	5.0	1.35	6.4	1065	217.48	18	1.40	6.7	1011	206.60	19	1.45	7.6	894	182.55	19	1.65	8.9	764	156.01	19	1.90	9.7	700	143.03	19	2.10	11	614	125.51	19	2.40	12	582	118.94	19	2.50	13	510	104.10	19	2.90	15	459	93.78	19	3.20	8.3	815	166.59	9.0	0.95	GR79 GRF79	4P	52	131	26.74	4.4	2.20	9.5	713	145.67	10	1.10	10	677	138.39	10	1.15	11	594	121.42	11	1.30	13	504	102.99	11	1.55	GR79 GRF79	4P	60	114	23.28	4.3	2.50	15	455	92.97	12	1.70	17	400	81.80	12	1.95	18	378	77.24	12	2.00	21	322	65.77	12	2.40	24	282	57.68	12	2.70	27	255	52.07	12	3.00	30	224	45.81	12	3.50	32	212	43.26	12	3.70	11	631	128.97	3.8	0.90	GR69 GRF69	4P	64	107	21.81	4.2	2.70	12	558	113.94	7.3	1.00	13	518	105.83	7.7	1.10	14	470	95.91	8.2	1.20	16	422	86.11	8.6	1.35	19	363	74.17	9.0	1.55	20	341	69.75	9.1	1.65	23	300	61.26	9.3	1.90	24	278	56.89	9.4	2.00	27	252	51.56	10	2.20	30	227	46.29	10	2.50	13	522	106.58	4.4	0.80	GR39 GRF39	4P	66	106	22.27	4.0	1.75	14	485	98.99	5.9	0.90	15	439	89.71	6.7	0.95	17	394	80.55	6.9	1.10	20	339	69.23	7.1	1.25	21	317	64.85	7.1	1.35	24	280	57.29	6.9	1.50	26	261	53.22	6.7	1.65	29	236	48.23	6.6	1.80	32	212	43.30	6.4	2.00	37	183	37.30	6.2	2.30	40	172	35.07	6.1	2.50	46	148	30.18	5.8	2.90	52	132	26.97	5.6	3.20	53	129	26.31	5.6	3.30	56	122	24.99	5.5	3.50	63	107	21.93	5.3	4.00	75	91	18.60	5.1	4.70	48	136	28.78	2.7	0.85	GR29 GRF29	4P	57	116	24.47	2.7	1.00	62	106	22.32	2.6	1.10	GR29 GRF29	4P	72	92	19.35	2.5	1.30	77	86	18.08	2.5	1.40	89	74	15.63	2.4	1.60	105	63	13.28	2.3	1.90	117	56	11.83	3.4	3.00	137	48	10.11	3.2	3.20	147	45	9.47	3.2	3.40	48	136	28.78	2.7	0.85	GR19 GRF19	4P	57	116	24.47	2.7	1.00	62	106	22.32	2.6	1.10	72	92	19.35	2.5	1.30	77	86	18.08	2.5	1.40	89	74	15.63	2.4	1.60	105	63	13.28	2.3	1.90	117	56	11.83	3.4	3.00	137	48	10.11	3.2	3.20	147	45	9.47	3.2	3.40	71	93	19.71	0.4	0.85	82	81	16.99	1.3	0.95	88	75	15.84	1.3	1.05	100	66	13.84	1.3	1.20	107	62	12.98	1.3	1.25	121	54	11.45	1.3	1.35	137	48	10.15	1.3	1.45	161	41	8.63	1.2	1.60	184	36	7.55	1.1	1.45	197	33	7.04	1.1	1.50	226	29	6.15	1.1	1.70	241	27	5.76	1.1	1.75	273	24	5.09	1.1	1.95	308	21	4.51	1.0	2.00	363	18	3.83	1.0	2.30																																							
5.8	1181	241.25	27	2.40			6.4	1059	216.28	27	2.70			7.5	912	186.30	27	3.10	8.2	832	170.02	27	3.40	4.2	1626	217.48	15	0.90	GR89 GRF89	6P	26	258	52.69			5.2	1.10	GR49 GRF49	4P	4.4			1545	206.60	15	0.95	5.0	1365	182.55	17	1.05	5.8	1167	156.01	18	1.25	GR89 GRF89			6P	29	234	47.75	5.1	1.20	6.4	1069	143.03	18	1.35	5.6	1212	247.61	18			1.20	GR89 GRF89	4P	32	210	42.87	5.0	1.35	6.4	1065	217.48	18	1.40	6.7	1011	206.60	19	1.45	7.6	894	182.55	19	1.65	8.9	764	156.01	19	1.90	9.7	700	143.03	19	2.10	11	614	125.51	19	2.40	12	582	118.94	19	2.50	13	510	104.10	19	2.90	15	459	93.78	19	3.20	8.3	815			166.59	9.0	0.95	GR79 GRF79	4P	52	131	26.74	4.4	2.20	9.5	713	145.67	10	1.10	10	677	138.39	10	1.15	11	594	121.42	11	1.30			13	504	102.99	11	1.55	GR79 GRF79	4P	60	114	23.28	4.3	2.50	15	455	92.97	12	1.70	17	400	81.80	12	1.95	18	378	77.24	12	2.00	21	322	65.77	12	2.40	24	282	57.68	12	2.70	27	255	52.07	12	3.00	30	224	45.81	12	3.50	32	212	43.26			12	3.70	11	631	128.97	3.8	0.90	GR69 GRF69	4P	64	107	21.81	4.2	2.70	12	558	113.94	7.3	1.00	13	518	105.83	7.7	1.10	14	470	95.91	8.2	1.20	16	422	86.11	8.6	1.35	19	363	74.17	9.0	1.55	20	341	69.75	9.1	1.65	23	300	61.26	9.3	1.90	24	278	56.89	9.4	2.00	27	252	51.56	10	2.20	30			227	46.29	10	2.50	13	522	106.58	4.4	0.80	GR39 GRF39	4P	66	106	22.27	4.0	1.75	14	485	98.99	5.9	0.90	15	439	89.71	6.7	0.95	17	394	80.55	6.9	1.10	20	339	69.23	7.1	1.25	21	317	64.85	7.1	1.35	24	280	57.29	6.9	1.50	26	261	53.22	6.7	1.65	29	236	48.23	6.6	1.80	32	212	43.30	6.4	2.00	37	183	37.30	6.2	2.30	40	172	35.07	6.1	2.50	46	148	30.18	5.8	2.90	52	132	26.97	5.6	3.20	53	129	26.31	5.6	3.30	56	122	24.99	5.5	3.50	63	107	21.93	5.3			4.00	75	91	18.60	5.1	4.70	48	136	28.78	2.7			0.85	GR29 GRF29	4P	57	116	24.47	2.7	1.00	62	106	22.32	2.6	1.10	GR29 GRF29	4P	72	92	19.35	2.5	1.30	77	86	18.08	2.5	1.40	89	74	15.63	2.4	1.60	105	63	13.28	2.3	1.90	117	56	11.83	3.4	3.00			137	48	10.11	3.2	3.20	147	45	9.47	3.2	3.40	48	136	28.78	2.7	0.85	GR19 GRF19	4P	57	116	24.47	2.7	1.00	62	106	22.32	2.6	1.10	72	92	19.35	2.5	1.30	77	86	18.08	2.5	1.40	89	74	15.63	2.4	1.60	105	63	13.28	2.3	1.90	117	56	11.83	3.4	3.00	137	48	10.11	3.2	3.20	147	45	9.47	3.2	3.40	71	93	19.71	0.4	0.85	82	81	16.99	1.3	0.95	88	75	15.84	1.3	1.05	100	66	13.84	1.3	1.20	107	62	12.98	1.3	1.25	121	54	11.45	1.3	1.35	137	48	10.15	1.3	1.45	161	41	8.63	1.2	1.60	184	36	7.55	1.1	1.45	197	33	7.04	1.1	1.50	226	29	6.15	1.1	1.70	241	27	5.76	1.1	1.75	273	24	5.09	1.1	1.95	308	21	4.51	1.0	2.00	363	18	3.83	1.0	2.30																						
6.4	1059	216.28	27	2.70			7.5	912	186.30	27	3.10	8.2	832	170.02	27	3.40	4.2	1626	217.48	15	0.90	GR89 GRF89	6P	26	258	52.69	5.2	1.10			GR49 GRF49	4P	4.4	1545	206.60	15	0.95			5.0			1365	182.55	17	1.05	5.8	1167	156.01	18	1.25	GR89 GRF89	6P	29	234	47.75		5.1	1.20		6.4	1069	143.03	18	1.35	5.6	1212	247.61	18	1.20	GR89 GRF89	4P	32	210			42.87			5.0	1.35	6.4	1065	217.48	18	1.40	6.7	1011	206.60	19	1.45	7.6	894	182.55	19	1.65	8.9	764	156.01	19	1.90	9.7	700	143.03	19	2.10	11	614	125.51	19	2.40	12	582	118.94	19	2.50	13	510	104.10	19	2.90	15	459	93.78	19	3.20	8.3	815	166.59	9.0	0.95			GR79 GRF79	4P	52			131	26.74	4.4	2.20	9.5	713	145.67	10	1.10	10	677	138.39	10	1.15	11	594	121.42	11	1.30	13			504	102.99	11	1.55	GR79 GRF79			4P	60	114	23.28	4.3	2.50	15	455	92.97	12	1.70	17	400	81.80	12	1.95	18	378	77.24	12	2.00	21	322	65.77	12	2.40	24	282	57.68	12	2.70	27	255	52.07	12	3.00	30	224	45.81	12	3.50	32	212			43.26	12	3.70	11	631	128.97	3.8			0.90	GR69 GRF69	4P	64	107	21.81	4.2	2.70	12	558	113.94	7.3	1.00	13	518	105.83	7.7	1.10	14	470	95.91	8.2	1.20	16	422	86.11	8.6	1.35	19	363	74.17	9.0	1.55	20	341	69.75	9.1	1.65	23	300	61.26	9.3	1.90	24	278	56.89	9.4	2.00	27	252	51.56			10	2.20	30	227	46.29	10	2.50	13	522			106.58	4.4	0.80	GR39 GRF39	4P	66	106	22.27	4.0	1.75	14	485	98.99	5.9	0.90	15	439	89.71	6.7	0.95	17	394	80.55	6.9	1.10	20	339	69.23	7.1	1.25	21	317	64.85	7.1	1.35	24	280	57.29	6.9	1.50	26	261	53.22	6.7	1.65	29	236	48.23	6.6	1.80	32	212	43.30	6.4	2.00	37	183	37.30	6.2	2.30	40	172	35.07	6.1	2.50	46	148	30.18	5.8	2.90	52	132	26.97	5.6	3.20	53	129	26.31	5.6	3.30	56	122	24.99	5.5	3.50	63	107	21.93	5.3	4.00	75	91	18.60	5.1	4.70	48			136			28.78	2.7	0.85	GR29 GRF29	4P	57	116	24.47	2.7	1.00			62	106	22.32	2.6	1.10	GR29 GRF29	4P	72	92	19.35	2.5	1.30	77	86	18.08	2.5	1.40	89	74	15.63	2.4	1.60	105	63	13.28			2.3	1.90	117	56	11.83	3.4	3.00	137	48	10.11	3.2	3.20	147	45	9.47			3.2	3.40	48	136	28.78	2.7	0.85	GR19 GRF19	4P	57	116	24.47	2.7	1.00	62	106	22.32	2.6	1.10	72	92	19.35	2.5	1.30	77	86	18.08	2.5	1.40	89	74	15.63	2.4	1.60	105	63	13.28	2.3	1.90	117	56	11.83	3.4	3.00	137	48	10.11	3.2	3.20	147	45	9.47	3.2	3.40	71	93	19.71	0.4	0.85	82	81	16.99	1.3	0.95	88	75	15.84	1.3	1.05	100	66	13.84	1.3	1.20	107	62	12.98	1.3	1.25	121	54	11.45	1.3	1.35	137	48	10.15	1.3	1.45	161	41	8.63	1.2	1.60	184	36	7.55	1.1	1.45	197	33	7.04	1.1	1.50	226	29	6.15	1.1	1.70	241	27	5.76	1.1	1.75	273	24	5.09	1.1	1.95	308	21	4.51	1.0	2.00	363	18	3.83	1.0	2.30													
7.5	912	186.30	27	3.10			8.2	832	170.02	27	3.40	4.2	1626	217.48	15	0.90	GR89 GRF89	6P	26	258	52.69			5.2	1.10	GR49 GRF49	4P	4.4	1545	206.60			15	0.95	5.0	1365	182.55			17			1.05	5.8	1167	156.01	18	1.25	GR89 GRF89	6P	29			234	47.75	5.1	1.20	6.4	1069	143.03	18	1.35	5.6	1212	247.61	18	1.20	GR89 GRF89	4P	32			210	42.87			5.0			1.35	6.4	1065	217.48	18	1.40	6.7	1011	206.60	19	1.45	7.6	894	182.55	19	1.65	8.9	764	156.01	19	1.90	9.7	700	143.03	19	2.10	11	614	125.51	19	2.40	12	582	118.94	19	2.50	13	510	104.10	19	2.90	15	459	93.78	19	3.20	8.3	815	166.59	9.0	0.95	GR79 GRF79					4P			52	131	26.74	4.4	2.20	9.5	713	145.67	10	1.10	10	677	138.39	10	1.15	11	594	121.42	11	1.30			13	504	102.99	11					1.55	GR79 GRF79	4P	60	114	23.28	4.3	2.50	15	455	92.97	12	1.70	17	400	81.80	12	1.95	18	378	77.24	12	2.00	21	322	65.77	12	2.40	24	282	57.68	12	2.70	27	255	52.07	12	3.00	30	224	45.81	12			3.50	32	212	43.26	12	3.70	11			631			128.97	3.8	0.90	GR69 GRF69	4P	64	107	21.81	4.2	2.70	12	558	113.94	7.3	1.00	13	518	105.83	7.7	1.10	14	470	95.91	8.2	1.20	16	422	86.11	8.6	1.35	19	363	74.17	9.0	1.55	20	341	69.75	9.1	1.65	23	300	61.26	9.3	1.90	24	278	56.89			9.4	2.00	27	252	51.56	10	2.20	30	227			46.29	10	2.50			13	522	106.58	4.4	0.80	GR39 GRF39	4P	66	106	22.27	4.0	1.75	14	485	98.99	5.9	0.90	15	439	89.71	6.7	0.95	17	394	80.55	6.9	1.10	20	339	69.23	7.1	1.25	21	317	64.85	7.1	1.35	24	280	57.29	6.9	1.50	26	261	53.22	6.7	1.65	29	236	48.23	6.6	1.80	32	212	43.30	6.4	2.00	37	183	37.30	6.2	2.30	40	172	35.07	6.1	2.50	46	148	30.18	5.8	2.90	52	132	26.97	5.6	3.20	53	129	26.31	5.6	3.30	56	122	24.99	5.5	3.50	63	107	21.93	5.3			4.00	75	91	18.60	5.1	4.70			48	136	28.78	2.7	0.85			GR29 GRF29	4P	57	116	24.47			2.7	1.00	62	106	22.32	2.6	1.10	GR29 GRF29	4P	72	92	19.35	2.5	1.30	77	86	18.08	2.5			1.40	89	74	15.63	2.4	1.60	105	63	13.28	2.3	1.90	117	56	11.83	3.4			3.00	137	48	10.11	3.2	3.20	147			45	9.47	3.2	3.40	48	136	28.78	2.7	0.85	GR19 GRF19	4P	57	116	24.47	2.7	1.00	62	106	22.32	2.6	1.10	72	92	19.35	2.5	1.30	77	86	18.08	2.5	1.40	89	74	15.63	2.4	1.60	105	63	13.28	2.3	1.90	117	56	11.83	3.4	3.00	137	48	10.11	3.2	3.20	147	45	9.47	3.2	3.40	71	93	19.71	0.4	0.85	82	81	16.99	1.3	0.95	88	75	15.84	1.3	1.05	100	66	13.84	1.3	1.20	107	62	12.98	1.3	1.25	121	54	11.45	1.3	1.35	137	48	10.15	1.3	1.45	161	41	8.63	1.2	1.60	184	36	7.55	1.1	1.45	197	33	7.04	1.1	1.50	226	29	6.15	1.1	1.70	241	27	5.76	1.1	1.75	273	24	5.09	1.1	1.95	308	21	4.51	1.0	2.00	363	18	3.83	1.0	2.30		
8.2	832	170.02	27	3.40			4.2	1626	217.48	15	0.90	GR89 GRF89	6P	26	258	52.69			5.2	1.10	GR49 GRF49	4P	4.4	1545	206.60			15	0.95	5.0			1365	182.55	17	1.05	5.8			1167			156.01	18	1.25	GR89 GRF89	6P	29			234	47.75	5.1	1.20	6.4	1069	143.03	18	1.35	5.6	1212	247.61	18	1.20	GR89 GRF89	4P	32			210			42.87	5.0			1.35			6.4	1065	217.48	18	1.40	6.7	1011	206.60	19	1.45	7.6	894	182.55	19	1.65	8.9	764	156.01	19	1.90	9.7	700	143.03	19	2.10	11	614	125.51	19	2.40	12	582	118.94	19	2.50	13	510	104.10	19	2.90	15	459	93.78	19	3.20	8.3	815	166.59	9.0	0.95	GR79 GRF79		4P	52						131	26.74	4.4	2.20	9.5	713	145.67	10	1.10	10	677	138.39	10	1.15	11	594	121.42	11	1.30	13			504	102.99	11	1.55					GR79 GRF79			4P	60	114	23.28	4.3	2.50	15	455	92.97	12	1.70	17	400	81.80	12	1.95	18	378	77.24	12	2.00	21	322	65.77	12	2.40	24	282	57.68	12	2.70	27	255	52.07	12	3.00	30	224	45.81			12	3.50	32	212	43.26	12	3.70			11			631	128.97	3.8			0.90	GR69 GRF69	4P	64	107	21.81	4.2	2.70	12	558	113.94	7.3	1.00	13	518	105.83	7.7	1.10	14	470	95.91	8.2	1.20	16	422	86.11	8.6	1.35	19	363	74.17	9.0	1.55	20	341	69.75	9.1	1.65	23	300	61.26	9.3	1.90			24	278	56.89	9.4	2.00	27	252	51.56	10			2.20	30	227			46.29	10	2.50	13	522			106.58	4.4	0.80	GR39 GRF39	4P	66	106	22.27	4.0	1.75	14	485	98.99	5.9	0.90	15	439	89.71	6.7	0.95	17	394	80.55	6.9	1.10	20	339	69.23	7.1	1.25	21	317	64.85	7.1	1.35	24	280	57.29	6.9	1.50	26	261	53.22	6.7	1.65	29	236	48.23	6.6	1.80	32	212	43.30	6.4	2.00	37	183	37.30	6.2	2.30	40	172	35.07	6.1	2.50	46	148	30.18	5.8	2.90	52	132	26.97	5.6	3.20	53	129	26.31	5.6	3.30	56	122	24.99	5.5			3.50	63	107	21.93	5.3	4.00	75	91	18.60	5.1	4.70	48	136					28.78	2.7	0.85			GR29 GRF29	4P	57	116	24.47	2.7	1.00			62	106	22.32	2.6	1.10	GR29 GRF29	4P	72	92			19.35	2.5	1.30	77	86	18.08	2.5	1.40	89	74	15.63	2.4	1.60	105	63			13.28	2.3	1.90	117	56	11.83	3.4			3.00	137	48	10.11	3.2	3.20	147	45	9.47			3.2	3.40	48	136	28.78	2.7	0.85	GR19 GRF19	4P	57	116	24.47	2.7	1.00	62	106	22.32	2.6	1.10	72	92	19.35	2.5	1.30	77	86	18.08	2.5	1.40	89	74	15.63	2.4	1.60	105	63	13.28	2.3	1.90	117	56	11.83	3.4	3.00	137	48	10.11	3.2	3.20	147	45	9.47	3.2	3.40	71	93	19.71	0.4	0.85	82	81	16.99	1.3	0.95	88	75	15.84	1.3	1.05	100	66	13.84	1.3	1.20	107	62	12.98	1.3	1.25	121	54	11.45	1.3	1.35	137	48	10.15	1.3	1.45	161	41	8.63	1.2	1.60	184	36	7.55	1.1	1.45	197	33	7.04	1.1	1.50	226	29	6.15	1.1	1.70	241	27	5.76	1.1	1.75	273	24	5.09	1.1	1.95	308	21	4.51
4.2	1626	217.48	15	0.90	GR89 GRF89	6P	26	258	52.69	5.2	1.10			GR49 GRF49	4P																																																																																																																																																																																																																																																																																																																																																																																																																																																																																																																																																																																									
4.4	1545	206.60	15	0.95			5.0	1365	182.55	17	1.05	5.8	1167			156.01	18	1.25	GR89 GRF89	6P			29	234	47.75			5.1	1.20	6.4			1069	143.03	18	1.35	5.6			1212	247.61	18	1.20	GR89 GRF89	4P	32	210	42.87	5.0	1.35	6.4	1065	217.48	18	1.40	6.7	1011	206.60	19	1.45	7.6	894	182.55	19			1.65			8.9			764	156.01			19			1.90	9.7	700	143.03	19	2.10	11	614	125.51	19	2.40	12	582	118.94	19	2.50	13	510	104.10	19	2.90	15	459	93.78	19	3.20	8.3	815	166.59	9.0	0.95	GR79 GRF79	4P	52	131	26.74	4.4	2.20	9.5	713	145.67	10	1.10	10	677	138.39	10	1.15	11	594				121.42	11	1.30		13	504	102.99	11	1.55	GR79 GRF79	4P	60	114	23.28	4.3	2.50	15	455	92.97	12	1.70	17	400	81.80	12	1.95			18	378	77.24	12									2.00	21	322	65.77	12	2.40	24	282	57.68	12	2.70	27	255	52.07	12	3.00	30	224	45.81	12	3.50	32	212	43.26	12	3.70	11	631	128.97	3.8	0.90	GR69 GRF69	4P	64	107	21.81	4.2	2.70			12	558	113.94	7.3	1.00	13	518			105.83			7.7	1.10	14			470			95.91	8.2	1.20	16	422	86.11	8.6	1.35	19	363	74.17	9.0	1.55	20	341	69.75	9.1	1.65	23	300	61.26	9.3	1.90	24	278	56.89	9.4	2.00	27	252	51.56	10	2.20	30	227	46.29	10	2.50	13	522			106.58	4.4	0.80	GR39 GRF39	4P	66	106	22.27	4.0			1.75	14	485			98.99	5.9	0.90	15	439			89.71	6.7	0.95			17	394	80.55	6.9	1.10	20	339	69.23	7.1	1.25	21	317	64.85	7.1	1.35	24	280	57.29	6.9	1.50	26	261	53.22	6.7	1.65	29	236	48.23	6.6	1.80	32	212	43.30	6.4	2.00	37	183	37.30	6.2	2.30	40	172	35.07	6.1	2.50	46	148	30.18	5.8	2.90	52	132	26.97	5.6	3.20	53	129	26.31	5.6	3.30	56	122	24.99	5.5	3.50	63	107	21.93	5.3	4.00	75	91	18.60	5.1	4.70	48	136	28.78	2.7			0.85	GR29 GRF29	4P	57	116	24.47	2.7	1.00	62	106	22.32	2.6	1.10			GR29 GRF29	4P	72	92	19.35			2.5	1.30	77	86	18.08	2.5	1.40			89	74	15.63	2.4	1.60			105	63			13.28	2.3	1.90	117	56	11.83	3.4	3.00	137	48	10.11	3.2	3.20	147	45			9.47	3.2	3.40	48	136	28.78	2.7			0.85	GR19 GRF19	4P	57	116	24.47	2.7	1.00	62			106	22.32	2.6	1.10	72	92	19.35			2.5	1.30	77	86	18.08	2.5	1.40	89	74	15.63	2.4	1.60	105	63	13.28	2.3	1.90	117	56	11.83	3.4	3.00	137	48	10.11	3.2	3.20	147	45	9.47	3.2	3.40	71	93	19.71	0.4	0.85	82	81	16.99	1.3	0.95	88	75	15.84	1.3	1.05	100	66	13.84	1.3	1.20	107	62	12.98	1.3	1.25	121	54	11.45	1.3	1.35	137	48	10.15	1.3	1.45	161	41	8.63	1.2	1.60	184	36	7.55	1.1	1.45	197	33	7.04	1.1	1.50	226	29	6.15	1.1	1.70	241	27	5.76	1.1	1.75	273	24	5.09	1.1	1.95	308	21	4.51	1.0	2.00	363	18	3.83	1.0	2.30						
5.0	1365	182.55	17	1.05	5.8	1167	156.01	18	1.25	GR89 GRF89	6P	29	234			47.75	5.1	1.20					6.4	1069	143.03			18	1.35	5.6			1212	247.61	18	1.20	GR89 GRF89	4P	32	210	42.87	5.0	1.35			6.4	1065	217.48	18	1.40	6.7	1011	206.60	19	1.45	7.6	894	182.55	19	1.65	8.9	764	156.01	19			1.90			9.7			700	143.03			19			2.10	11	614	125.51	19	2.40	12	582	118.94	19	2.50	13	510	104.10	19	2.90	15	459	93.78	19	3.20	8.3	815	166.59	9.0	0.95	GR79 GRF79	4P	52	131	26.74			4.4	2.20	9.5	713	145.67	10	1.10	10	677	138.39	10	1.15	11	594	121.42	11	1.30		13		504	102.99	11	1.55	GR79 GRF79	4P	60	114	23.28			4.3	2.50	15	455	92.97	12	1.70	17	400	81.80	12	1.95	18	378	77.24			12	2.00	21	322									65.77	12	2.40	24	282	57.68	12	2.70	27	255	52.07	12	3.00	30	224	45.81	12	3.50	32	212	43.26	12	3.70	11	631	128.97	3.8	0.90	GR69 GRF69	4P	64			107	21.81	4.2	2.70	12			558	113.94	7.3	1.00	13	518	105.83			7.7			1.10	14	470			95.91			8.2	1.20	16	422	86.11	8.6	1.35	19	363	74.17	9.0	1.55	20	341	69.75	9.1	1.65	23	300	61.26	9.3	1.90	24	278	56.89	9.4	2.00	27	252	51.56	10	2.20	30	227	46.29	10	2.50	13	522	106.58			4.4	0.80	GR39 GRF39			4P	66	106	22.27			4.0	1.75	14			485	98.99	5.9	0.90	15			439	89.71	6.7			0.95	17	394	80.55	6.9	1.10	20	339	69.23	7.1	1.25	21	317	64.85	7.1	1.35	24	280	57.29	6.9	1.50	26	261	53.22	6.7	1.65	29	236	48.23	6.6	1.80	32	212	43.30	6.4	2.00	37	183	37.30	6.2	2.30	40	172	35.07	6.1	2.50	46	148	30.18	5.8	2.90	52	132	26.97	5.6	3.20	53	129	26.31	5.6	3.30	56	122	24.99	5.5	3.50	63	107	21.93	5.3	4.00	75	91	18.60	5.1	4.70	48	136	28.78			2.7			0.85	GR29 GRF29	4P	57	116	24.47	2.7	1.00	62	106					22.32	2.6	1.10			GR29 GRF29	4P	72	92	19.35	2.5	1.30			77	86	18.08	2.5	1.40			89	74			15.63	2.4	1.60	105	63	13.28	2.3	1.90	117	56	11.83	3.4	3.00	137	48			10.11	3.2	3.20	147	45	9.47	3.2			3.40			48	136	28.78	2.7	0.85	GR19 GRF19			4P	57	116	24.47	2.7	1.00	62			106	22.32	2.6	1.10	72	92	19.35	2.5	1.30	77	86	18.08	2.5	1.40	89	74	15.63	2.4	1.60	105	63	13.28	2.3	1.90	117	56	11.83	3.4	3.00	137	48	10.11	3.2	3.20	147	45	9.47	3.2	3.40	71	93	19.71	0.4	0.85	82	81	16.99	1.3	0.95	88	75	15.84	1.3	1.05	100	66	13.84	1.3	1.20	107	62	12.98	1.3	1.25	121	54	11.45	1.3	1.35	137	48	10.15	1.3	1.45	161	41	8.63	1.2	1.60	184	36	7.55	1.1	1.45	197	33	7.04	1.1	1.50	226	29	6.15	1.1	1.70	241	27	5.76	1.1	1.75	273	24	5.09	1.1	1.95	308	21	4.51	1.0	2.00	363	18	3.83	1.0
5.8	1167	156.01	18	1.25	GR89 GRF89	6P	29	234	47.75			5.1	1.20			6.4	1069	143.03	18	1.35			5.6	1212	247.61			18	1.20	GR89 GRF89	4P	32	210	42.87	5.0	1.35			6.4	1065	217.48	18	1.40			6.7	1011	206.60	19	1.45	7.6	894	182.55	19	1.65	8.9	764	156.01	19	1.90	9.7	700	143.03	19			2.10			11			614	125.51			19			2.40	12	582	118.94	19	2.50	13	510	104.10	19	2.90	15	459	93.78	19	3.20	8.3	815	166.59	9.0	0.95	GR79 GRF79	4P	52	131	26.74			4.4	2.20	9.5			713	145.67	10	1.10	10	677	138.39	10	1.15	11	594	121.42	11	1.30	13	504	102.99	11	1.55	GR79 GRF79	4P	60	114	23.28			4.3	2.50	15			455	92.97	12	1.70	17	400	81.80	12	1.95	18	378	77.24	12	2.00	21			322	65.77	12	2.40									24	282	57.68	12	2.70	27	255	52.07	12	3.00	30	224	45.81	12	3.50	32	212	43.26	12	3.70	11	631	128.97	3.8	0.90	GR69 GRF69	4P	64			107			21.81	4.2	2.70	12	558			113.94	7.3	1.00	13	518	105.83	7.7			1.10			14	470	95.91			8.2			1.20	16	422	86.11	8.6	1.35	19	363	74.17	9.0	1.55	20	341	69.75	9.1	1.65	23	300	61.26	9.3	1.90	24	278	56.89	9.4	2.00	27	252	51.56	10	2.20	30	227	46.29	10	2.50	13	522	106.58	4.4			0.80	GR39 GRF39					4P	66	106			22.27	4.0	1.75			14	485	98.99	5.9	0.90			15	439	89.71			6.7	0.95	17	394	80.55	6.9	1.10	20	339	69.23	7.1	1.25	21	317	64.85	7.1	1.35	24	280	57.29	6.9	1.50	26	261	53.22	6.7	1.65	29	236	48.23	6.6	1.80	32	212	43.30	6.4	2.00	37	183	37.30	6.2	2.30	40	172	35.07	6.1	2.50	46	148	30.18	5.8	2.90	52	132	26.97	5.6	3.20	53	129	26.31	5.6	3.30	56	122	24.99	5.5	3.50	63	107	21.93	5.3	4.00	75	91	18.60	5.1	4.70	48	136			28.78	2.7	0.85	GR29 GRF29			4P	57	116	24.47	2.7	1.00	62					106	22.32	2.6					1.10	GR29 GRF29	4P	72	92			19.35	2.5	1.30	77	86			18.08	2.5			1.40	89	74	15.63	2.4	1.60	105	63	13.28	2.3	1.90	117	56	11.83	3.4			3.00	137	48	10.11	3.2	3.20	147			45			9.47	3.2	3.40	48	136					28.78	2.7	0.85	GR19 GRF19	4P	57			116	24.47	2.7	1.00	62	106	22.32	2.6	1.10	72	92	19.35	2.5	1.30	77	86	18.08	2.5	1.40	89	74	15.63	2.4	1.60	105	63	13.28	2.3	1.90	117	56	11.83	3.4	3.00	137	48	10.11	3.2	3.20	147	45	9.47	3.2	3.40	71	93	19.71	0.4	0.85	82	81	16.99	1.3	0.95	88	75	15.84	1.3	1.05	100	66	13.84	1.3	1.20	107	62	12.98	1.3	1.25	121	54	11.45	1.3	1.35	137	48	10.15	1.3	1.45	161	41	8.63	1.2	1.60	184	36	7.55	1.1	1.45	197	33	7.04	1.1	1.50	226	29	6.15	1.1	1.70	241	27	5.76	1.1	1.75	273	24	5.09	1.1	1.95	308	21	4.51	1.0
6.4	1069	143.03	18	1.35			5.6	1212	247.61	18	1.20	GR89 GRF89	4P			32	210	42.87	5.0	1.35			6.4	1065	217.48	18	1.40	6.7	1011			206.60	19	1.45	7.6	894			182.55	19	1.65	8.9	764			156.01	19	1.90	9.7	700	143.03	19	2.10	11	614	125.51	19	2.40	12	582	118.94	19	2.50	13			510			104.10			19	2.90			15			459	93.78	19	3.20	8.3	815	166.59	9.0	0.95	GR79 GRF79	4P	52	131	26.74	4.4	2.20	9.5	713	145.67	10	1.10			10	677	138.39			10	1.15	11			594	121.42	11	1.30	13	504	102.99	11	1.55	GR79 GRF79	4P	60	114	23.28	4.3	2.50	15	455	92.97			12	1.70	17			400	81.80	12			1.95	18	378	77.24	12	2.00	21	322	65.77	12	2.40	24	282	57.68	12			2.70	27	255	52.07									12	3.00	30	224	45.81	12	3.50	32	212	43.26	12	3.70	11	631	128.97	3.8	0.90	GR69 GRF69	4P	64	107	21.81	4.2	2.70	12			558			113.94			7.3	1.00	13	518	105.83			7.7	1.10	14	470	95.91	8.2	1.20			16			422	86.11	8.6			1.35			19	363	74.17	9.0	1.55	20	341	69.75	9.1	1.65	23	300	61.26	9.3	1.90	24	278	56.89	9.4	2.00	27	252	51.56	10	2.20	30	227	46.29	10	2.50	13	522	106.58	4.4	0.80	GR39 GRF39	4P	66	106	22.27			4.0							1.75	14			485	98.99	5.9			0.90	15	439	89.71	6.7			0.95	17	394			80.55	6.9	1.10	20	339	69.23	7.1	1.25	21	317	64.85	7.1	1.35	24	280	57.29	6.9	1.50	26	261	53.22	6.7	1.65	29	236	48.23	6.6	1.80	32	212	43.30	6.4	2.00	37	183	37.30	6.2	2.30	40	172	35.07	6.1	2.50	46	148	30.18	5.8	2.90	52	132	26.97	5.6	3.20	53	129	26.31	5.6	3.30	56	122	24.99	5.5	3.50	63	107	21.93	5.3	4.00	75	91	18.60	5.1	4.70	48	136	28.78	2.7	0.85	GR29 GRF29			4P	57	116		24.47	2.7		1.00	62	106	22.32	2.6	1.10					GR29 GRF29	4P	72					92			19.35	2.5			1.30	77	86	18.08	2.5			1.40	89			74	15.63	2.4	1.60	105	63	13.28	2.3	1.90	117	56	11.83	3.4	3.00	137			48	10.11	3.2	3.20	147	45	9.47			3.2			3.40	48	136	28.78	2.7					0.85	GR19 GRF19	4P			57			116	24.47	2.7	1.00	62	106	22.32	2.6	1.10	72	92	19.35	2.5	1.30	77	86	18.08	2.5	1.40	89	74	15.63	2.4	1.60	105	63	13.28	2.3	1.90	117	56	11.83	3.4	3.00	137	48	10.11	3.2	3.20	147	45	9.47	3.2	3.40	71	93	19.71	0.4	0.85	82	81	16.99	1.3	0.95	88	75	15.84	1.3	1.05	100	66	13.84	1.3	1.20	107	62	12.98	1.3	1.25	121	54	11.45	1.3	1.35	137	48	10.15	1.3	1.45	161	41	8.63	1.2	1.60	184	36	7.55	1.1	1.45	197	33	7.04	1.1	1.50	226	29	6.15	1.1	1.70	241	27	5.76	1.1	1.75	273	24	5.09	1.1	1.95	308	21	4.51	1.0
5.6	1212	247.61	18	1.20	GR89 GRF89	4P	32	210	42.87	5.0	1.35					6.4	1065	217.48	18	1.40	6.7	1011	206.60	19	1.45	7.6	894	182.55	19			1.65	8.9	764	156.01	19			1.90	9.7	700	143.03	19			2.10	11	614	125.51	19	2.40	12	582	118.94	19	2.50	13	510	104.10	19	2.90	15	459	93.78			19			3.20			8.3	815	166.59	9.0	0.95			GR79 GRF79	4P	52	131	26.74	4.4	2.20	9.5	713			145.67	10	1.10	10	677	138.39	10	1.15	11	594			121.42	11	1.30			13	504	102.99	11	1.55	GR79 GRF79	4P	60	114	23.28	4.3	2.50	15	455			92.97	12	1.70	17	400	81.80	12	1.95			18	378	77.24			12	2.00	21			322	65.77	12	2.40	24	282	57.68	12	2.70	27	255	52.07	12	3.00	30			224	45.81	12	3.50									32	212	43.26	12	3.70	11	631	128.97	3.8	0.90	GR69 GRF69	4P	64	107	21.81	4.2	2.70			12	558	113.94	7.3	1.00	13			518			105.83			7.7	1.10	14	470	95.91	8.2	1.20	16	422	86.11	8.6	1.35	19	363			74.17			9.0	1.55	20			341			69.75	9.1	1.65	23	300	61.26	9.3	1.90	24	278	56.89	9.4	2.00	27	252	51.56	10	2.20	30	227	46.29	10	2.50	13	522	106.58	4.4	0.80	GR39 GRF39	4P	66	106	22.27	4.0	1.75			14	485	98.99			5.9							0.90	15			439	89.71	6.7			0.95	17	394	80.55	6.9			1.10	20	339			69.23	7.1	1.25	21	317	64.85	7.1	1.35	24	280	57.29	6.9	1.50	26	261	53.22	6.7	1.65	29	236	48.23	6.6	1.80	32	212	43.30	6.4	2.00	37	183	37.30	6.2	2.30	40	172	35.07	6.1	2.50	46	148	30.18	5.8	2.90	52	132	26.97	5.6	3.20	53	129	26.31	5.6	3.30	56	122	24.99	5.5	3.50	63	107	21.93	5.3	4.00	75	91	18.60	5.1	4.70	48	136	28.78	2.7	0.85	GR29 GRF29	4P	57	116	24.47					2.7	1.00	62	106	22.32	2.6	1.10	GR29 GRF29	4P	72	92	19.35							2.5					1.30			77	86			18.08	2.5	1.40	89	74			15.63	2.4	1.60	105	63	13.28	2.3	1.90	117	56	11.83	3.4	3.00	137	48	10.11	3.2	3.20	147			45	9.47	3.2	3.40	48	136	28.78			2.7			0.85	GR19 GRF19	4P	57	116					24.47					2.7			1.00	62	106	22.32	2.6	1.10	72	92	19.35	2.5	1.30	77	86	18.08	2.5	1.40	89	74	15.63	2.4	1.60	105	63	13.28	2.3	1.90	117	56	11.83	3.4	3.00	137	48	10.11	3.2	3.20	147	45	9.47	3.2	3.40	71	93	19.71	0.4	0.85	82	81	16.99	1.3	0.95	88	75	15.84	1.3	1.05	100	66	13.84	1.3	1.20	107	62	12.98	1.3	1.25	121	54	11.45	1.3	1.35	137	48	10.15	1.3	1.45	161	41	8.63	1.2	1.60	184	36	7.55	1.1	1.45	197	33	7.04	1.1	1.50	226	29	6.15	1.1	1.70	241	27	5.76	1.1	1.75	273	24	5.09	1.1	1.95	308	21	4.51	1.0	2.00	363	18
6.4	1065	217.48	18	1.40			6.7	1011	206.60	19	1.45			7.6	894	182.55	19	1.65	8.9	764	156.01	19	1.90	9.7	700	143.03	19	2.10	11			614	125.51	19	2.40	12			582	118.94	19	2.50	13			510	104.10	19	2.90	15	459	93.78	19	3.20	8.3	815	166.59	9.0	0.95	GR79 GRF79	4P	52	131	26.74			4.4			2.20			9.5	713	145.67	10	1.10	10	677			138.39	10	1.15	11	594	121.42	11			1.30	13	504	102.99	11	1.55	GR79 GRF79	4P	60	114			23.28	4.3	2.50	15	455	92.97	12	1.70	17	400			81.80	12	1.95	18	378	77.24	12			2.00	21	322	65.77	12	2.40	24	282			57.68	12	2.70			27	255	52.07			12	3.00	30	224	45.81	12	3.50	32	212	43.26	12	3.70	11	631	128.97			3.8	0.90	GR69 GRF69	4P									64	107	21.81	4.2	2.70	12	558	113.94	7.3	1.00			13	518	105.83	7.7	1.10			14	470	95.91	8.2	1.20	16			422			86.11			8.6	1.35	19	363	74.17	9.0	1.55	20	341	69.75	9.1	1.65	23	300	61.26	9.3	1.90			24	278	56.89			9.4			2.00	27	252	51.56	10	2.20	30	227	46.29	10	2.50	13	522	106.58	4.4	0.80	GR39 GRF39	4P	66	106	22.27	4.0	1.75	14	485	98.99	5.9	0.90			15	439	89.71	6.7	0.95			17	394	80.55			6.9							1.10	20			339	69.23	7.1			1.25	21	317	64.85	7.1			1.35	24	280			57.29	6.9	1.50	26	261	53.22	6.7	1.65	29	236	48.23	6.6	1.80	32	212	43.30	6.4	2.00	37	183	37.30	6.2	2.30	40	172	35.07	6.1	2.50	46	148	30.18	5.8	2.90	52	132	26.97	5.6	3.20	53	129	26.31	5.6	3.30	56	122	24.99	5.5	3.50	63	107	21.93	5.3	4.00	75	91	18.60	5.1	4.70	48	136	28.78	2.7	0.85	GR29 GRF29	4P	57	116	24.47	2.7	1.00	62	106	22.32			2.6	1.10	GR29 GRF29	4P			72	92	19.35	2.5	1.30	77	86	18.08			2.5	1.40	89							74					15.63			2.4	1.60			105	63	13.28	2.3	1.90			117	56	11.83	3.4	3.00	137	48	10.11	3.2	3.20	147	45	9.47	3.2	3.40	48	136	28.78	2.7	0.85	GR19 GRF19	4P	57	116	24.47	2.7	1.00	62			106			22.32			2.6	1.10					72					92			19.35	2.5	1.30	77	86	18.08	2.5	1.40	89	74	15.63	2.4	1.60	105	63	13.28	2.3	1.90	117	56	11.83	3.4	3.00	137	48	10.11	3.2	3.20	147	45	9.47	3.2	3.40	71	93	19.71	0.4	0.85	82	81	16.99	1.3	0.95	88	75	15.84	1.3	1.05	100	66	13.84	1.3	1.20	107	62	12.98	1.3	1.25	121	54	11.45	1.3	1.35	137	48	10.15	1.3	1.45	161	41	8.63	1.2	1.60	184	36	7.55	1.1	1.45	197	33	7.04	1.1	1.50	226	29	6.15	1.1	1.70	241	27	5.76	1.1	1.75	273	24	5.09	1.1	1.95	308	21	4.51	1.0	2.00	363	18	3.83	1.0	2.30					
6.7	1011	206.60	19	1.45			7.6	894	182.55	19	1.65			8.9	764	156.01	19	1.90	9.7	700	143.03	19	2.10	11	614	125.51	19	2.40	12			582	118.94	19	2.50	13			510	104.10	19	2.90	15			459	93.78	19	3.20	8.3	815	166.59	9.0	0.95	GR79 GRF79	4P	52	131	26.74			4.4	2.20	9.5			713			145.67	10	1.10	10	677	138.39	10	1.15	11	594			121.42	11	1.30	13	504	102.99	11			1.55	GR79 GRF79	4P	60	114	23.28			4.3	2.50	15	455	92.97	12	1.70	17	400	81.80	12	1.95	18	378			77.24	12	2.00	21	322	65.77	12			2.40	24	282	57.68	12	2.70	27	255			52.07	12	3.00			30	224	45.81			12	3.50	32	212	43.26	12	3.70	11	631	128.97	3.8	0.90	GR69 GRF69	4P	64			107	21.81											4.2	2.70	12	558	113.94	7.3	1.00	13	518	105.83			7.7	1.10	14	470	95.91			8.2	1.20	16	422	86.11	8.6			1.35			19			363	74.17	9.0	1.55	20	341	69.75	9.1	1.65	23	300	61.26	9.3	1.90	24	278	56.89	9.4	2.00	27	252	51.56			10			2.20	30	227	46.29	10	2.50	13	522	106.58	4.4	0.80	GR39 GRF39	4P	66	106	22.27			4.0	1.75	14	485	98.99	5.9	0.90	15	439	89.71			6.7	0.95	17	394	80.55			6.9	1.10	20			339							69.23	7.1			1.25	21	317			64.85	7.1	1.35	24	280			57.29	6.9	1.50			26	261	53.22	6.7	1.65	29	236	48.23	6.6	1.80	32	212	43.30	6.4	2.00	37	183	37.30	6.2	2.30	40	172	35.07	6.1	2.50	46	148	30.18	5.8	2.90	52	132	26.97	5.6	3.20	53	129	26.31	5.6	3.30	56	122	24.99	5.5	3.50	63	107	21.93	5.3	4.00	75	91	18.60	5.1	4.70	48	136	28.78	2.7	0.85	GR29 GRF29	4P	57			116	24.47	2.7	1.00	62	106	22.32	2.6	1.10	GR29 GRF29	4P	72					92	19.35	2.5	1.30	77	86	18.08	2.5			1.40	89	74							15.63					2.4			1.60	105			63	13.28	2.3	1.90	117			56	11.83	3.4	3.00	137	48	10.11	3.2	3.20	147	45	9.47	3.2	3.40	48	136	28.78	2.7	0.85	GR19 GRF19			4P	57	116	24.47	2.7	1.00	62	106	22.32			2.6			1.10	72					92					19.35			2.5	1.30	77	86	18.08	2.5	1.40	89	74	15.63	2.4	1.60	105	63	13.28	2.3	1.90	117	56	11.83	3.4	3.00	137	48	10.11	3.2	3.20	147	45	9.47	3.2	3.40	71	93	19.71	0.4	0.85	82	81	16.99	1.3	0.95	88	75	15.84	1.3	1.05	100	66	13.84	1.3	1.20	107	62	12.98	1.3	1.25	121	54	11.45	1.3	1.35	137	48	10.15	1.3	1.45	161	41	8.63	1.2	1.60	184	36	7.55	1.1	1.45	197	33	7.04	1.1	1.50	226	29	6.15	1.1	1.70	241	27	5.76	1.1	1.75	273	24	5.09	1.1	1.95	308	21	4.51	1.0	2.00	363	18	3.83	1.0	2.30						
7.6	894	182.55	19	1.65			8.9	764	156.01	19	1.90			9.7	700	143.03	19	2.10	11	614	125.51	19	2.40	12	582	118.94	19	2.50	13			510	104.10	19	2.90	15			459	93.78	19	3.20	8.3			815	166.59	9.0	0.95	GR79 GRF79	4P	52	131	26.74			4.4	2.20	9.5			713	145.67	10			1.10	10	677	138.39	10	1.15	11	594	121.42	11	1.30	13	504			102.99	11	1.55	GR79 GRF79	4P	60	114	23.28	4.3	2.50			15	455	92.97			12	1.70	17	400	81.80	12	1.95	18	378	77.24	12	2.00	21	322			65.77	12	2.40	24	282	57.68	12			2.70	27	255	52.07	12	3.00	30	224			45.81	12	3.50			32	212	43.26			12	3.70	11	631	128.97	3.8	0.90	GR69 GRF69	4P	64	107	21.81			4.2			2.70	12											558	113.94	7.3	1.00	13	518	105.83	7.7	1.10	14			470	95.91	8.2	1.20	16			422	86.11	8.6	1.35	19	363			74.17			9.0			1.55	20	341	69.75	9.1	1.65	23	300	61.26	9.3	1.90	24	278	56.89	9.4	2.00	27	252	51.56	10	2.20	30	227	46.29	10			2.50	13	522	106.58	4.4	0.80	GR39 GRF39	4P	66	106	22.27			4.0	1.75	14			485	98.99	5.9	0.90	15	439	89.71	6.7	0.95	17			394	80.55	6.9	1.10	20			339	69.23	7.1			1.25							21	317			64.85	7.1	1.35			24	280	57.29	6.9	1.50			26	261	53.22			6.7	1.65	29	236	48.23	6.6	1.80	32	212	43.30	6.4	2.00	37	183	37.30	6.2	2.30	40	172	35.07	6.1	2.50	46	148	30.18	5.8	2.90	52	132	26.97	5.6	3.20	53	129	26.31	5.6	3.30	56	122	24.99	5.5	3.50	63	107	21.93	5.3	4.00	75	91	18.60	5.1	4.70	48	136	28.78	2.7	0.85	GR29 GRF29	4P	57			116	24.47	2.7	1.00	62	106	22.32	2.6	1.10	GR29 GRF29	4P	72			92					19.35	2.5	1.30	77	86	18.08	2.5	1.40			89	74	15.63							2.4					1.60			105	63			13.28	2.3	1.90	117	56			11.83	3.4	3.00	137	48	10.11	3.2	3.20	147	45	9.47	3.2	3.40	48	136	28.78	2.7	0.85	GR19 GRF19					4P	57	116	24.47	2.7	1.00	62	106			22.32			2.6	1.10		72	92		19.35					2.5			1.30	77	86	18.08	2.5	1.40	89	74	15.63	2.4	1.60	105	63	13.28	2.3	1.90	117	56	11.83	3.4	3.00	137	48	10.11	3.2	3.20	147	45	9.47	3.2	3.40	71	93	19.71	0.4	0.85	82	81	16.99	1.3	0.95	88	75	15.84	1.3	1.05	100	66	13.84	1.3	1.20	107	62	12.98	1.3	1.25	121	54	11.45	1.3	1.35	137	48	10.15	1.3	1.45	161	41	8.63	1.2	1.60	184	36	7.55	1.1	1.45	197	33	7.04	1.1	1.50	226	29	6.15	1.1	1.70	241	27	5.76	1.1	1.75	273	24	5.09	1.1	1.95	308	21	4.51	1.0	2.00	363	18	3.83	1.0	2.30							
8.9	764	156.01	19	1.90			9.7	700	143.03	19	2.10			11	614	125.51	19	2.40	12	582	118.94	19	2.50	13	510	104.10	19	2.90	15			459	93.78	19	3.20	8.3			815	166.59	9.0	0.95	GR79 GRF79			4P	52	131	26.74			4.4	2.20	9.5			713	145.67	10			1.10	10	677	138.39	10	1.15	11	594	121.42	11	1.30	13	504	102.99	11	1.55	GR79 GRF79	4P	60	114	23.28	4.3	2.50			15	455	92.97	12	1.70			17	400	81.80			12	1.95	18	378	77.24	12	2.00	21	322	65.77	12	2.40	24	282			57.68	12	2.70	27	255	52.07	12			3.00	30	224	45.81	12	3.50	32	212			43.26	12	3.70			11	631	128.97			3.8	0.90	GR69 GRF69	4P	64	107	21.81			4.2	2.70	12			558	113.94	7.3	1.00	13											518	105.83	7.7	1.10	14	470	95.91	8.2	1.20	16			422	86.11	8.6	1.35	19			363	74.17	9.0	1.55	20	341			69.75			9.1			1.65	23	300	61.26	9.3	1.90	24	278	56.89	9.4	2.00	27	252	51.56	10	2.20	30	227	46.29	10	2.50	13	522	106.58	4.4	0.80	GR39 GRF39	4P	66	106	22.27	4.0	1.75			14	485	98.99			5.9	0.90	15			439	89.71	6.7	0.95	17	394	80.55	6.9	1.10	20			339	69.23	7.1	1.25	21			317	64.85	7.1			1.35							24	280			57.29	6.9	1.50			26	261	53.22	6.7	1.65			29	236	48.23			6.6	1.80	32	212	43.30	6.4	2.00	37	183	37.30	6.2	2.30	40	172	35.07	6.1	2.50	46	148	30.18	5.8	2.90	52	132	26.97	5.6	3.20	53	129	26.31	5.6	3.30	56	122	24.99	5.5	3.50	63	107	21.93	5.3	4.00	75	91	18.60	5.1	4.70	48	136	28.78	2.7	0.85	GR29 GRF29	4P	57	116	24.47			2.7	1.00	62	106	22.32	2.6	1.10	GR29 GRF29	4P	72	92	19.35			2.5			1.30			77	86	18.08	2.5	1.40	89	74	15.63	2.4	1.60			105	63	13.28							2.3					1.90			117	56			11.83	3.4	3.00	137	48			10.11	3.2	3.20	147	45	9.47	3.2	3.40	48	136	28.78	2.7	0.85	GR19 GRF19	4P	57	116	24.47							2.7	1.00	62	106	22.32	2.6	1.10			72			92	19.35		2.5	1.30		77					86	18.08	2.5	1.40	89	74	15.63	2.4	1.60	105	63	13.28	2.3	1.90	117	56	11.83	3.4	3.00	137	48	10.11	3.2	3.20	147	45	9.47	3.2	3.40	71	93	19.71	0.4	0.85	82	81	16.99	1.3	0.95	88	75	15.84	1.3	1.05	100	66	13.84	1.3	1.20	107	62	12.98	1.3	1.25	121	54	11.45	1.3	1.35	137	48	10.15	1.3	1.45	161	41	8.63	1.2	1.60	184	36	7.55	1.1	1.45	197	33	7.04	1.1	1.50	226	29	6.15	1.1	1.70	241	27	5.76	1.1	1.75	273	24	5.09	1.1	1.95	308	21	4.51	1.0	2.00	363	18	3.83	1.0	2.30												
9.7	700	143.03	19	2.10			11	614	125.51	19	2.40			12	582	118.94	19	2.50	13	510	104.10	19	2.90	15	459	93.78	19	3.20	8.3			815	166.59	9.0	0.95	GR79 GRF79			4P	52	131	26.74					4.4	2.20	9.5			713	145.67	10			1.10	10	677	138.39	10	1.15	11	594	121.42	11	1.30	13	504	102.99	11	1.55	GR79 GRF79	4P	60	114	23.28			4.3	2.50	15	455	92.97			12	1.70	17	400	81.80			12	1.95	18			378	77.24	12	2.00	21	322	65.77	12	2.40	24	282	57.68	12	2.70			27	255	52.07	12	3.00	30	224			45.81	12	3.50	32	212	43.26	12	3.70			11	631	128.97			3.8	0.90	GR69 GRF69			4P	64			107	21.81	4.2			2.70	12	558			113.94	7.3	1.00	13	518				105.83	7.7						1.10	14	470	95.91	8.2	1.20	16	422	86.11	8.6			1.35	19	363	74.17	9.0			1.55	20	341	69.75	9.1	1.65			23			300			61.26	9.3	1.90	24	278	56.89	9.4	2.00	27	252	51.56	10	2.20	30	227	46.29	10	2.50	13	522	106.58	4.4	0.80	GR39 GRF39	4P	66			106	22.27	4.0	1.75	14			485	98.99	5.9			0.90	15	439			89.71	6.7	0.95	17	394	80.55	6.9	1.10	20	339			69.23	7.1	1.25	21	317			64.85	7.1	1.35			24							280	57.29			6.9	1.50	26			261	53.22	6.7	1.65	29			236	48.23	6.6			1.80	32	212	43.30	6.4	2.00	37	183	37.30	6.2	2.30	40	172	35.07	6.1	2.50	46	148	30.18	5.8	2.90	52	132	26.97	5.6	3.20	53	129	26.31	5.6	3.30	56	122	24.99	5.5	3.50	63	107	21.93	5.3	4.00	75	91	18.60	5.1	4.70	48	136	28.78	2.7	0.85	GR29 GRF29			4P	57	116	24.47	2.7	1.00	62	106	22.32	2.6	1.10	GR29 GRF29			4P	72	92			19.35			2.5			1.30	77	86	18.08	2.5	1.40	89	74	15.63	2.4			1.60	105	63	13.28	2.3					1.90					117			56	11.83			3.4	3.00	137	48	10.11			3.2	3.20	147	45	9.47	3.2	3.40	48	136	28.78	2.7	0.85	GR19 GRF19			4P	57	116							24.47	2.7	1.00	62	106	22.32	2.6			1.10			72	92		19.35	2.5		1.30					77	86	18.08	2.5	1.40	89	74	15.63	2.4	1.60	105	63	13.28	2.3	1.90	117	56	11.83	3.4	3.00	137	48	10.11	3.2	3.20	147	45	9.47	3.2	3.40	71	93	19.71	0.4	0.85	82	81	16.99	1.3	0.95	88	75	15.84	1.3	1.05	100	66	13.84	1.3	1.20	107	62	12.98	1.3	1.25	121	54	11.45	1.3	1.35	137	48	10.15	1.3	1.45	161	41	8.63	1.2	1.60	184	36	7.55	1.1	1.45	197	33	7.04	1.1	1.50	226	29	6.15	1.1	1.70	241	27	5.76	1.1	1.75	273	24	5.09	1.1	1.95	308	21	4.51	1.0	2.00	363	18	3.83	1.0	2.30											
11	614	125.51	19	2.40			12	582	118.94	19	2.50			13	510	104.10	19	2.90	15	459	93.78	19	3.20	8.3	815	166.59	9.0	0.95	GR79 GRF79			4P	52	131	26.74					4.4	2.20	9.5		713	145.67		10	1.10	10			677	138.39	10	1.15	11	594	121.42	11	1.30	13	504	102.99	11	1.55	GR79 GRF79	4P	60	114	23.28	4.3	2.50			15	455	92.97			12	1.70	17	400	81.80			12	1.95	18	378	77.24			12	2.00	21			322	65.77	12	2.40	24	282	57.68	12	2.70	27	255	52.07	12	3.00			30	224	45.81	12	3.50	32	212			43.26	12	3.70	11	631	128.97	3.8	0.90			GR69 GRF69	4P	64			107	21.81					4.2			2.70	12	558			113.94	7.3	1.00			13	518	105.83	7.7	1.10			14	470	95.91	8.2					1.20	16	422	86.11	8.6	1.35	19	363	74.17	9.0			1.55	20	341	69.75	9.1			1.65	23	300	61.26	9.3	1.90			24			278	56.89	9.4	2.00	27	252	51.56	10	2.20	30	227	46.29	10	2.50	13	522	106.58	4.4	0.80	GR39 GRF39	4P	66	106	22.27	4.0	1.75			14			485	98.99	5.9	0.90	15			439	89.71	6.7			0.95	17	394			80.55	6.9	1.10	20	339	69.23	7.1	1.25	21	317			64.85	7.1	1.35	24	280			57.29	6.9	1.50			26							261	53.22			6.7	1.65	29			236	48.23	6.6	1.80	32			212	43.30	6.4			2.00	37	183	37.30	6.2	2.30	40	172	35.07	6.1	2.50	46	148	30.18	5.8	2.90	52	132	26.97	5.6	3.20	53	129	26.31	5.6	3.30	56	122	24.99	5.5	3.50	63	107	21.93	5.3	4.00	75	91	18.60	5.1	4.70	48	136	28.78	2.7	0.85	GR29 GRF29	4P	57	116	24.47		2.7	1.00		62	106	22.32	2.6	1.10	GR29 GRF29	4P	72	92	19.35					2.5	1.30			77			86			18.08	2.5	1.40	89	74	15.63	2.4	1.60	105	63			13.28	2.3	1.90	117	56					11.83	3.4	3.00			137			48	10.11			3.2	3.20	147	45	9.47			3.2	3.40	48	136	28.78	2.7	0.85	GR19 GRF19	4P	57	116	24.47					2.7	1.00							62	106	22.32	2.6	1.10	72	92	19.35	2.5	1.30			77	86		18.08	2.5		1.40					89	74	15.63	2.4	1.60	105	63	13.28	2.3	1.90	117	56	11.83	3.4	3.00	137	48	10.11	3.2	3.20	147	45	9.47	3.2	3.40	71	93	19.71	0.4	0.85	82	81	16.99	1.3	0.95	88	75	15.84	1.3	1.05	100	66	13.84	1.3	1.20	107	62	12.98	1.3	1.25	121	54	11.45	1.3	1.35	137	48	10.15	1.3	1.45	161	41	8.63	1.2	1.60	184	36	7.55	1.1	1.45	197	33	7.04	1.1	1.50	226	29	6.15	1.1	1.70	241	27	5.76	1.1	1.75	273	24	5.09	1.1	1.95	308	21	4.51	1.0	2.00	363	18	3.83	1.0	2.30																
12	582	118.94	19	2.50			13	510	104.10	19	2.90			15	459	93.78	19	3.20	8.3	815	166.59	9.0	0.95	GR79 GRF79	4P	52	131	26.74					4.4	2.20	9.5		713	145.67		10	1.10	10		677	138.39		10	1.15	11	594	121.42	11	1.30	13	504	102.99	11	1.55	GR79 GRF79	4P	60	114	23.28	4.3	2.50			15	455	92.97	12	1.70			17	400	81.80			12	1.95	18	378	77.24			12	2.00	21	322	65.77			12	2.40	24			282	57.68	12	2.70	27	255	52.07	12	3.00	30	224	45.81	12	3.50			32	212	43.26	12	3.70	11	631			128.97	3.8	0.90	GR69 GRF69	4P	64	107	21.81					4.2			2.70	12					558			113.94	7.3	1.00			13	518	105.83			7.7	1.10	14	470	95.91			8.2	1.20	16	422		86.11	8.6		1.35	19	363	74.17	9.0	1.55	20	341	69.75	9.1			1.65	23	300	61.26	9.3			1.90	24	278	56.89	9.4	2.00			27	252	51.56	10	2.20	30	227	46.29	10	2.50	13	522	106.58	4.4	0.80	GR39 GRF39	4P	66	106	22.27	4.0	1.75			14	485	98.99	5.9	0.90			15			439	89.71	6.7	0.95	17			394	80.55	6.9			1.10	20	339			69.23	7.1	1.25	21	317	64.85	7.1	1.35	24	280			57.29	6.9	1.50	26	261			53.22	6.7	1.65			29							236	48.23			6.6	1.80	32			212	43.30	6.4	2.00	37			183	37.30	6.2			2.30	40	172	35.07	6.1	2.50	46	148	30.18	5.8	2.90	52	132	26.97	5.6	3.20	53	129	26.31	5.6	3.30	56	122	24.99	5.5	3.50	63	107	21.93	5.3	4.00	75	91	18.60	5.1	4.70	48	136	28.78	2.7	0.85	GR29 GRF29	4P	57	116	24.47			2.7	1.00	62	106	22.32	2.6	1.10	GR29 GRF29	4P	72	92	19.35			2.5	1.30	77					86	18.08			2.5			1.40			89	74	15.63	2.4	1.60	105	63	13.28	2.3	1.90			117	56	11.83	3.4	3.00					137	48	10.11			3.2			3.20	147	45	9.47	3.2	3.40	48	136	28.78			2.7	0.85	GR19 GRF19	4P	57	116	24.47			2.7	1.00	62					106	22.32							2.6	1.10	72	92	19.35	2.5	1.30	77	86	18.08			2.5	1.40	89	74	15.63	2.4	1.60					105	63	13.28	2.3	1.90	117	56	11.83	3.4	3.00	137	48	10.11	3.2	3.20	147	45	9.47	3.2	3.40	71	93	19.71	0.4	0.85	82	81	16.99	1.3	0.95	88	75	15.84	1.3	1.05	100	66	13.84	1.3	1.20	107	62	12.98	1.3	1.25	121	54	11.45	1.3	1.35	137	48	10.15	1.3	1.45	161	41	8.63	1.2	1.60	184	36	7.55	1.1	1.45	197	33	7.04	1.1	1.50	226	29	6.15	1.1	1.70	241	27	5.76	1.1	1.75	273	24	5.09	1.1	1.95	308	21	4.51	1.0	2.00	363	18	3.83	1.0	2.30																					
13	510	104.10	19	2.90			15	459	93.78	19	3.20			8.3	815	166.59	9.0	0.95	GR79 GRF79	4P	52	131	26.74			4.4	2.20	9.5		713	145.67		10	1.10	10		677	138.39		10	1.15	11	594	121.42	11	1.30	13	504	102.99	11	1.55	GR79 GRF79	4P	60	114	23.28	4.3	2.50			15	455	92.97	12	1.70			17	400	81.80	12	1.95			18	378	77.24			12	2.00	21	322	65.77			12	2.40	24	282	57.68			12	2.70	27			255	52.07	12	3.00	30	224	45.81	12	3.50	32	212	43.26	12	3.70			11	631	128.97	3.8	0.90	GR69 GRF69	4P			64	107	21.81			4.2	2.70	12					558			113.94	7.3					1.00			13	518	105.83			7.7	1.10	14			470	95.91	8.2	1.20	16			422	86.11	8.6	1.35	19	363	74.17	9.0	1.55	20	341	69.75	9.1	1.65	23	300	61.26	9.3			1.90	24	278	56.89	9.4			2.00	27	252	51.56	10	2.20	30	227	46.29	10	2.50	13	522	106.58	4.4	0.80	GR39 GRF39	4P	66	106	22.27	4.0	1.75			14	485	98.99	5.9	0.90			15	439	89.71	6.7	0.95			17			394	80.55	6.9	1.10	20			339	69.23	7.1			1.25	21	317			64.85	7.1	1.35	24	280	57.29	6.9	1.50	26	261			53.22	6.7	1.65	29	236			48.23	6.6	1.80	32	212	43.30							6.4	2.00			37	183	37.30			6.2	2.30	40	172	35.07			6.1	2.50	46			148	30.18	5.8	2.90	52	132	26.97	5.6	3.20	53	129	26.31	5.6	3.30	56	122	24.99	5.5	3.50	63	107	21.93	5.3	4.00	75	91	18.60	5.1	4.70	48	136	28.78	2.7	0.85	GR29 GRF29	4P	57	116	24.47	2.7	1.00			62	106	22.32	2.6	1.10	GR29 GRF29	4P	72	92	19.35	2.5	1.30			77	86	18.08			2.5	1.40	89					74	15.63			2.4			1.60			105	63	13.28	2.3	1.90	117	56	11.83	3.4	3.00			137	48	10.11	3.2	3.20					147	45	9.47			3.2			3.40	48	136	28.78	2.7	0.85	GR19 GRF19	4P	57	116	24.47	2.7	1.00			62	106	22.32			2.6	1.10	72					92	19.35							2.5	1.30	77	86	18.08	2.5	1.40	89	74	15.63			2.4	1.60	105	63	13.28	2.3	1.90			117	56	11.83	3.4	3.00	137	48	10.11	3.2	3.20	147	45	9.47	3.2	3.40	71	93	19.71	0.4	0.85	82	81	16.99	1.3	0.95	88	75	15.84	1.3	1.05	100	66	13.84	1.3	1.20	107	62	12.98	1.3	1.25	121	54	11.45	1.3	1.35	137	48	10.15	1.3	1.45	161	41	8.63	1.2	1.60	184	36	7.55	1.1	1.45	197	33	7.04	1.1	1.50	226	29	6.15	1.1	1.70	241	27	5.76	1.1	1.75	273	24	5.09	1.1	1.95	308	21	4.51	1.0	2.00	363	18	3.83	1.0	2.30																												
15	459	93.78	19	3.20			8.3	815	166.59	9.0	0.95	GR79 GRF79	4P	52	131	26.74	4.4	2.20			9.5	713	145.67			10	1.10	10		677	138.39		10	1.15	11	594	121.42	11	1.30	13	504	102.99	11	1.55	GR79 GRF79	4P	60	114	23.28	4.3	2.50			15	455	92.97	12	1.70			17	400	81.80	12	1.95			18	378	77.24	12	2.00			21	322	65.77			12	2.40	24	282	57.68			12	2.70	27	255	52.07			12	3.00	30			224	45.81	12	3.50	32	212	43.26	12	3.70	11	631	128.97	3.8	0.90			GR69 GRF69	4P	64	107	21.81					4.2	2.70	12			558	113.94	7.3					1.00			13	518					105.83			7.7	1.10	14			470	95.91	8.2			1.20	16	422	86.11	8.6			1.35	19	363	74.17	9.0	1.55	20	341	69.75	9.1	1.65	23	300	61.26	9.3	1.90	24	278			56.89	9.4	2.00	27	252	51.56	10	2.20	30	227	46.29	10	2.50	13	522	106.58	4.4	0.80	GR39 GRF39	4P	66	106	22.27			4.0	1.75	14	485	98.99			5.9	0.90	15	439	89.71			6.7	0.95	17	394	80.55			6.9			1.10	20	339	69.23	7.1			1.25	21	317			64.85	7.1	1.35			24	280	57.29	6.9	1.50	26	261	53.22	6.7	1.65			29	236	48.23	6.6	1.80			32	212	43.30	6.4	2.00	37							183	37.30	6.2	2.30	40	172	35.07			6.1	2.50	46	148	30.18			5.8	2.90	52			132	26.97	5.6	3.20	53	129	26.31	5.6	3.30	56	122	24.99	5.5	3.50	63	107	21.93	5.3	4.00	75	91	18.60	5.1	4.70	48	136	28.78	2.7	0.85	GR29 GRF29	4P	57	116	24.47			2.7	1.00	62	106	22.32	2.6	1.10	GR29 GRF29	4P	72	92	19.35			2.5	1.30	77	86	18.08			2.5	1.40	89			74	15.63	2.4					1.60	105			63			13.28			2.3	1.90	117	56	11.83	3.4	3.00	137	48	10.11			3.2	3.20	147	45	9.47					3.2	3.40	48			136			28.78	2.7	0.85	GR19 GRF19	4P	57			116	24.47	2.7	1.00	62			106	22.32	2.6			1.10	72	92					19.35	2.5							1.30	77	86	18.08	2.5	1.40	89	74	15.63	2.4			1.60	105	63	13.28	2.3	1.90	117	56	11.83	3.4	3.00	137	48	10.11	3.2	3.20	147	45	9.47	3.2	3.40	71	93	19.71	0.4	0.85	82	81	16.99	1.3	0.95	88	75	15.84	1.3	1.05	100	66	13.84	1.3	1.20	107	62	12.98	1.3	1.25	121	54	11.45	1.3	1.35	137	48	10.15	1.3	1.45	161	41	8.63	1.2	1.60	184	36	7.55	1.1	1.45	197	33	7.04	1.1	1.50	226	29	6.15	1.1	1.70	241	27	5.76	1.1	1.75	273	24	5.09	1.1	1.95	308	21	4.51	1.0	2.00	363	18	3.83	1.0	2.30																															
8.3	815	166.59	9.0	0.95	GR79 GRF79	4P	52	131	26.74	4.4	2.20			9.5	713	145.67	10	1.10			10	677	138.39			10	1.15	11	594	121.42	11	1.30	13	504	102.99	11	1.55	GR79 GRF79	4P	60	114	23.28	4.3	2.50			15	455	92.97	12	1.70			17	400	81.80	12	1.95			18	378	77.24	12	2.00			21	322	65.77	12	2.40			24	282	57.68			12	2.70	27	255	52.07			12	3.00	30	224	45.81			12	3.50	32			212	43.26	12	3.70	11	631	128.97	3.8	0.90	GR69 GRF69	4P	64	107	21.81					4.2	2.70	12					558	113.94	7.3			1.00	13	518					105.83			7.7	1.10		14	470		95.91			8.2	1.20	16			422	86.11	8.6			1.35	19	363	74.17	9.0			1.55	20	341	69.75	9.1	1.65	23	300	61.26	9.3	1.90	24	278	56.89	9.4	2.00	27	252	51.56	10	2.20	30	227	46.29	10	2.50	13	522	106.58	4.4	0.80	GR39 GRF39	4P	66	106	22.27	4.0	1.75			14	485	98.99			5.9	0.90	15	439	89.71			6.7	0.95	17	394	80.55			6.9	1.10	20	339	69.23			7.1			1.25	21	317	64.85	7.1			1.35	24	280			57.29	6.9	1.50			26	261	53.22	6.7	1.65	29	236	48.23	6.6	1.80			32	212	43.30	6.4	2.00			37	183	37.30	6.2	2.30	40							172	35.07	6.1	2.50	46	148	30.18	5.8	2.90	52	132	26.97	5.6	3.20			53	129	26.31			5.6	3.30	56	122	24.99	5.5	3.50	63	107	21.93	5.3	4.00	75	91	18.60	5.1	4.70	48	136	28.78	2.7	0.85	GR29 GRF29	4P	57	116	24.47	2.7	1.00			62	106	22.32	2.6	1.10	GR29 GRF29	4P	72	92	19.35	2.5	1.30			77	86	18.08			2.5	1.40	89	74	15.63			2.4	1.60	105			63	13.28	2.3					1.90	117			56			11.83			3.4	3.00	137	48	10.11	3.2	3.20	147	45	9.47			3.2	3.40	48	136	28.78	2.7	0.85			GR19 GRF19	4P	57			116			24.47	2.7	1.00			62			106	22.32	2.6	1.10	72			92	19.35	2.5			1.30	77	86					18.08	2.5							1.40	89	74	15.63	2.4	1.60	105	63	13.28	2.3	1.90	117	56	11.83	3.4	3.00	137	48	10.11	3.2	3.20	147	45	9.47	3.2	3.40	71	93	19.71	0.4	0.85	82	81	16.99	1.3	0.95	88	75	15.84	1.3	1.05	100	66	13.84	1.3	1.20	107	62	12.98	1.3	1.25	121	54	11.45	1.3	1.35	137	48	10.15	1.3	1.45	161	41	8.63	1.2	1.60	184	36	7.55	1.1	1.45	197	33	7.04	1.1	1.50	226	29	6.15	1.1	1.70	241	27	5.76	1.1	1.75	273	24	5.09	1.1	1.95	308	21	4.51	1.0	2.00	363	18	3.83	1.0	2.30																																						
9.5	713	145.67	10	1.10			10	677	138.39	10	1.15			11	594	121.42	11	1.30			13	504	102.99	11	1.55	GR79 GRF79	4P	60	114	23.28	4.3	2.50	15	455	92.97	12	1.70			17	400	81.80	12	1.95			18	378	77.24	12	2.00			21	322	65.77	12	2.40			24	282	57.68	12	2.70			27	255	52.07	12	3.00			30	224	45.81			12	3.50	32	212	43.26			12	3.70	11	631	128.97			3.8	0.90	GR69 GRF69			4P	64	107	21.81	4.2	2.70	12	558	113.94			7.3	1.00	13					518	105.83	7.7					1.10	14	470			95.91	8.2	1.20					16	422	86.11	8.6	1.35		19	363		74.17			9.0	1.55	20			341	69.75	9.1			1.65	23	300	61.26	9.3	1.90	24	278	56.89	9.4	2.00	27	252	51.56	10	2.20	30	227	46.29	10	2.50	13	522	106.58	4.4	0.80	GR39 GRF39	4P	66	106	22.27	4.0	1.75	14	485	98.99	5.9	0.90			15	439	89.71	6.7	0.95			17	394	80.55			6.9	1.10	20	339	69.23			7.1	1.25	21	317	64.85			7.1	1.35	24	280	57.29			6.9			1.50	26	261	53.22	6.7			1.65	29	236			48.23	6.6	1.80			32	212	43.30	6.4	2.00	37	183	37.30	6.2	2.30			40	172	35.07	6.1	2.50			46	148	30.18	5.8	2.90	52							132	26.97	5.6	3.20	53	129	26.31	5.6	3.30	56	122	24.99	5.5	3.50	63	107	21.93	5.3	4.00			75	91	18.60	5.1	4.70	48	136	28.78	2.7	0.85	GR29 GRF29	4P	57	116	24.47	2.7	1.00	62	106	22.32	2.6	1.10			GR29 GRF29	4P	72	92	19.35	2.5	1.30	77	86	18.08	2.5	1.40			89	74	15.63	2.4	1.60			105	63	13.28			2.3	1.90	117	56	11.83			3.4	3.00	137			48	10.11	3.2					3.20	147			45			9.47			3.2	3.40	48	136	28.78	2.7	0.85	GR19 GRF19	4P	57			116	24.47	2.7	1.00	62	106	22.32					2.6	1.10	72	92			19.35	2.5	1.30			77			86	18.08	2.5	1.40	89			74	15.63	2.4			1.60	105	63					13.28	2.3			1.90	117			56	11.83	3.4	3.00	137	48	10.11	3.2	3.20	147	45	9.47	3.2	3.40	71	93	19.71	0.4	0.85	82	81	16.99	1.3	0.95	88	75	15.84	1.3	1.05	100	66	13.84	1.3	1.20	107	62	12.98	1.3	1.25	121	54	11.45	1.3	1.35	137	48	10.15	1.3	1.45	161	41	8.63	1.2	1.60	184	36	7.55	1.1	1.45	197	33	7.04	1.1	1.50	226	29	6.15	1.1	1.70	241	27	5.76	1.1	1.75	273	24	5.09	1.1	1.95	308	21	4.51	1.0	2.00	363	18	3.83	1.0	2.30																																																		
10	677	138.39	10	1.15			11	594	121.42	11	1.30			13	504	102.99	11	1.55	GR79 GRF79	4P	60	114	23.28	4.3	2.50			15	455	92.97	12	1.70	17	400	81.80	12	1.95			18	378	77.24	12	2.00			21	322	65.77	12	2.40			24	282	57.68	12	2.70			27	255	52.07	12	3.00			30	224	45.81	12	3.50			32	212	43.26			12	3.70	11	631	128.97			3.8	0.90	GR69 GRF69	4P	64			107	21.81					4.2	2.70	12	558	113.94	7.3	1.00	13			518	105.83	7.7					1.10	14	470					95.91	8.2	1.20			16	422	86.11	8.6	1.35			19	363	74.17	9.0	1.55		20	341		69.75			9.1	1.65	23			300	61.26	9.3	1.90	24	278	56.89	9.4	2.00	27	252	51.56	10	2.20	30	227	46.29	10	2.50	13	522	106.58	4.4	0.80	GR39 GRF39	4P	66	106	22.27	4.0	1.75			14	485	98.99	5.9	0.90	15	439	89.71	6.7	0.95			17	394	80.55	6.9	1.10			20	339	69.23			7.1	1.25	21	317	64.85			7.1	1.35	24	280	57.29			6.9	1.50	26	261	53.22			6.7			1.65	29	236	48.23	6.6			1.80	32	212			43.30	6.4	2.00			37	183	37.30	6.2	2.30	40	172	35.07	6.1	2.50			46	148	30.18	5.8	2.90			52	132	26.97	5.6	3.20	53							129	26.31	5.6	3.30	56	122	24.99	5.5	3.50	63	107	21.93	5.3	4.00	75	91	18.60	5.1	4.70	48	136	28.78	2.7	0.85	GR29 GRF29	4P	57	116	24.47	2.7	1.00			62	106	22.32	2.6	1.10	GR29 GRF29	4P	72	92	19.35	2.5	1.30			77	86	18.08	2.5	1.40	89	74	15.63	2.4	1.60			105	63	13.28	2.3	1.90			117	56	11.83			3.4	3.00	137	48	10.11			3.2	3.20	147			45	9.47	3.2					3.40	48			136			28.78			2.7	0.85	GR19 GRF19	4P	57	116	24.47			2.7			1.00	62	106	22.32	2.6	1.10	72					92	19.35	2.5	1.30	77	86	18.08	2.5	1.40			89			74	15.63	2.4	1.60	105			63	13.28	2.3			1.90	117	56					11.83	3.4		3.00	137	48	10.11		3.2	3.20	147	45	9.47	3.2	3.40	71	93	19.71	0.4	0.85	82	81	16.99	1.3	0.95	88	75	15.84	1.3	1.05	100	66	13.84	1.3	1.20	107	62	12.98	1.3	1.25	121	54	11.45	1.3	1.35	137	48	10.15	1.3	1.45	161	41	8.63	1.2	1.60	184	36	7.55	1.1	1.45	197	33	7.04	1.1	1.50	226	29	6.15	1.1	1.70	241	27	5.76	1.1	1.75	273	24	5.09	1.1	1.95	308	21	4.51	1.0	2.00	363	18	3.83	1.0	2.30																																																									
11	594	121.42	11	1.30			13	504	102.99	11	1.55	GR79 GRF79	4P	60	114	23.28	4.3	2.50			15	455	92.97	12	1.70			17	400	81.80	12	1.95	18	378	77.24	12	2.00			21	322	65.77	12	2.40			24	282	57.68	12	2.70			27	255	52.07	12	3.00			30	224	45.81	12	3.50			32	212	43.26	12	3.70			11	631	128.97			3.8	0.90	GR69 GRF69	4P	64			107	21.81			4.2			2.70	12					558	113.94	7.3	1.00	13	518	105.83	7.7			1.10	14	470					95.91	8.2	1.20			16	422	86.11	8.6	1.35			19	363	74.17	9.0	1.55			20	341	69.75	9.1	1.65		23	300		61.26			9.3	1.90	24	278	56.89	9.4	2.00	27	252	51.56	10	2.20	30	227	46.29	10	2.50	13	522	106.58	4.4	0.80	GR39 GRF39	4P	66	106	22.27	4.0	1.75			14	485	98.99	5.9	0.90			15	439	89.71	6.7	0.95	17	394	80.55	6.9	1.10			20	339	69.23	7.1	1.25			21	317	64.85			7.1	1.35	24	280	57.29			6.9	1.50	26	261	53.22			6.7	1.65	29	236	48.23			6.6			1.80	32	212	43.30	6.4			2.00	37	183			37.30	6.2	2.30			40	172	35.07	6.1	2.50	46	148	30.18	5.8	2.90			52	132	26.97	5.6	3.20			53	129	26.31	5.6	3.30	56							122	24.99	5.5	3.50	63	107	21.93	5.3	4.00	75	91	18.60	5.1	4.70	48	136	28.78	2.7	0.85	GR29 GRF29	4P	57	116	24.47			2.7	1.00	62	106	22.32	2.6	1.10	GR29 GRF29	4P	72	92	19.35			2.5	1.30	77	86	18.08			2.5	1.40	89	74	15.63	2.4	1.60	105	63	13.28			2.3	1.90	117	56	11.83			3.4	3.00	137			48	10.11	3.2	3.20	147			45	9.47	3.2			3.40	48	136					28.78	2.7			0.85			GR19 GRF19			4P	57			116	24.47	2.7			1.00			62	106	22.32	2.6	1.10	72	92	19.35	2.5			1.30	77	86	18.08	2.5	1.40	89	74	15.63			2.4			1.60	105	63	13.28	2.3			1.90	117	56			11.83	3.4	3.00					137	48	10.11	3.2	3.20	147	45	9.47	3.2	3.40	71	93	19.71	0.4	0.85	82	81	16.99	1.3	0.95	88	75	15.84	1.3	1.05	100	66	13.84	1.3	1.20	107	62	12.98	1.3	1.25	121	54	11.45	1.3	1.35	137	48	10.15	1.3	1.45	161	41	8.63	1.2	1.60	184	36	7.55	1.1	1.45	197	33	7.04	1.1	1.50	226	29	6.15	1.1	1.70	241	27	5.76	1.1	1.75	273	24	5.09	1.1	1.95	308	21	4.51	1.0	2.00	363	18	3.83	1.0	2.30																																																														
13	504	102.99	11	1.55	GR79 GRF79	4P	60	114	23.28	4.3	2.50			15	455	92.97	12	1.70			17	400	81.80	12	1.95			18	378	77.24	12	2.00	21	322	65.77	12	2.40			24	282	57.68	12	2.70			27	255	52.07	12	3.00			30	224	45.81	12	3.50			32	212	43.26	12	3.70			11	631	128.97	3.8	0.90			GR69 GRF69	4P	64			107	21.81			4.2			2.70	12			558			113.94	7.3					1.00	13	518	105.83	7.7	1.10	14	470			95.91	8.2	1.20	16	422			86.11	8.6	1.35			19	363	74.17	9.0	1.55			20	341	69.75	9.1	1.65			23	300	61.26	9.3	1.90		24	278		56.89	9.4	2.00	27	252	51.56	10	2.20	30	227	46.29	10	2.50	13	522	106.58	4.4	0.80	GR39 GRF39	4P	66	106	22.27	4.0	1.75			14	485	98.99	5.9	0.90			15	439	89.71	6.7	0.95			17	394	80.55	6.9	1.10	20	339	69.23	7.1	1.25			21	317	64.85	7.1	1.35			24	280	57.29			6.9	1.50	26	261	53.22			6.7	1.65	29	236	48.23			6.6	1.80	32	212	43.30			6.4			2.00	37	183	37.30	6.2			2.30	40	172			35.07	6.1	2.50			46	148	30.18	5.8	2.90	52	132	26.97	5.6	3.20			53	129	26.31	5.6	3.30			56	122	24.99	5.5	3.50	63			107	21.93			5.3	4.00	75	91	18.60	5.1	4.70	48	136	28.78	2.7	0.85	GR29 GRF29	4P	57	116	24.47	2.7	1.00			62	106	22.32	2.6	1.10	GR29 GRF29	4P	72	92	19.35	2.5	1.30			77	86	18.08			2.5	1.40	89	74	15.63			2.4	1.60	105	63	13.28	2.3	1.90	117	56	11.83			3.4	3.00	137	48	10.11			3.2	3.20	147			45	9.47	3.2	3.40	48			136	28.78	2.7			0.85	GR19 GRF19	4P					57	116			24.47							2.7			1.00	62	106			22.32	2.6	1.10	72	92	19.35	2.5	1.30	77	86	18.08	2.5			1.40	89	74	15.63	2.4	1.60	105	63	13.28			2.3			1.90	117	56	11.83	3.4			3.00	137	48			10.11	3.2	3.20		147	45		9.47	3.2	3.40	71	93	19.71	0.4	0.85	82	81	16.99	1.3	0.95	88	75	15.84	1.3	1.05	100	66	13.84	1.3	1.20	107	62	12.98	1.3	1.25	121	54	11.45	1.3	1.35	137	48	10.15	1.3	1.45	161	41	8.63	1.2	1.60	184	36	7.55	1.1	1.45	197	33	7.04	1.1	1.50	226	29	6.15	1.1	1.70	241	27	5.76	1.1	1.75	273	24	5.09	1.1	1.95	308	21	4.51	1.0	2.00	363	18	3.83	1.0	2.30																																																																					
15	455	92.97	12	1.70			17	400	81.80	12	1.95			18	378	77.24	12	2.00			21	322	65.77	12	2.40			24	282	57.68	12	2.70	27	255	52.07	12	3.00			30	224	45.81	12	3.50			32	212	43.26	12	3.70			11	631	128.97	3.8	0.90			GR69 GRF69	4P	64	107	21.81			4.2	2.70	12	558	113.94					7.3			1.00	13			518			105.83	7.7			1.10			14	470		95.91	8.2		1.20	16	422	86.11	8.6	1.35	19	363			74.17	9.0	1.55	20	341			69.75	9.1	1.65			23	300	61.26	9.3	1.90			24	278	56.89	9.4	2.00			27	252	51.56	10	2.20	30	227	46.29	10	2.50	13	522	106.58	4.4	0.80	GR39 GRF39	4P	66	106	22.27	4.0	1.75	14	485	98.99	5.9	0.90			15	439	89.71	6.7	0.95			17	394	80.55	6.9	1.10			20	339	69.23	7.1	1.25			21	317	64.85	7.1	1.35	24	280	57.29	6.9	1.50			26	261	53.22	6.7	1.65			29	236	48.23			6.6	1.80	32	212	43.30			6.4	2.00	37	183	37.30			6.2	2.30	40	172	35.07			6.1			2.50	46	148	30.18	5.8			2.90	52	132			26.97	5.6	3.20			53	129	26.31	5.6	3.30	56	122	24.99	5.5	3.50			63	107	21.93	5.3	4.00			75	91	18.60	5.1	4.70	48		136	28.78	2.7	0.85		GR29 GRF29	4P	57	116	24.47	2.7	1.00	62	106	22.32	2.6	1.10			GR29 GRF29	4P	72	92	19.35	2.5	1.30	77	86	18.08	2.5	1.40			89	74	15.63	2.4	1.60			105	63	13.28			2.3	1.90	117	56	11.83			3.4	3.00	137	48	10.11	3.2	3.20	147	45	9.47			3.2	3.40	48	136	28.78			2.7	0.85	GR19 GRF19			4P	57	116	24.47	2.7			1.00	62	106			22.32							2.6	1.10			72				92	19.35		2.5			1.30	77	86			18.08	2.5	1.40	89	74	15.63	2.4	1.60	105	63	13.28	2.3			1.90	117	56	11.83	3.4	3.00	137	48	10.11			3.2			3.20	147	45	9.47	3.2			3.40	71	93			19.71	0.4	0.85	82	81	16.99	1.3	0.95	88	75	15.84	1.3	1.05	100	66	13.84	1.3	1.20	107	62	12.98	1.3	1.25	121	54	11.45	1.3	1.35	137	48	10.15	1.3	1.45	161	41	8.63	1.2	1.60	184	36	7.55	1.1	1.45	197	33	7.04	1.1	1.50	226	29	6.15	1.1	1.70	241	27	5.76	1.1	1.75	273	24	5.09	1.1	1.95	308	21	4.51	1.0	2.00	363	18	3.83	1.0	2.30																																																																																	
17	400	81.80	12	1.95			18	378	77.24	12	2.00			21	322	65.77	12	2.40			24	282	57.68	12	2.70			27	255	52.07	12	3.00	30	224	45.81	12	3.50			32	212	43.26	12	3.70			11	631	128.97	3.8	0.90			GR69 GRF69	4P	64	107	21.81					4.2	2.70	12			558	113.94	7.3	1.00	13					518			105.83	7.7			1.10			14	470			95.91	8.2	1.20	16	422		86.11	8.6		1.35	19	363	74.17	9.0	1.55	20	341			69.75	9.1	1.65	23	300			61.26	9.3	1.90			24	278	56.89	9.4	2.00			27	252	51.56	10	2.20	30	227	46.29	10	2.50	13	522	106.58	4.4	0.80	GR39 GRF39	4P	66	106	22.27	4.0	1.75			14	485	98.99	5.9	0.90	15	439	89.71	6.7	0.95			17	394	80.55	6.9	1.10			20	339	69.23	7.1	1.25			21	317	64.85	7.1	1.35			24	280	57.29	6.9	1.50	26	261	53.22	6.7	1.65			29	236	48.23	6.6	1.80			32	212	43.30			6.4	2.00	37	183	37.30			6.2	2.30	40	172	35.07			6.1	2.50	46	148	30.18			5.8			2.90	52	132	26.97	5.6			3.20	53	129			26.31	5.6	3.30			56	122	24.99	5.5	3.50	63	107	21.93	5.3	4.00			75	91	18.60	5.1	4.70			48	136	28.78	2.7	0.85	GR29 GRF29	4P	57	116	24.47	2.7	1.00			62	106	22.32	2.6	1.10	GR29 GRF29	4P	72	92	19.35	2.5	1.30			77	86	18.08	2.5	1.40	89	74	15.63	2.4	1.60			105	63	13.28	2.3	1.90			117	56	11.83			3.4	3.00	137	48	10.11			3.2	3.20	147	45	9.47	3.2	3.40	48	136	28.78			2.7	0.85	GR19 GRF19	4P	57			116	24.47					2.7	1.00	62	106			22.32	2.6	1.10			72							92	19.35			2.5	1.30	77		86	18.08		2.5			1.40	89	74			15.63	2.4	1.60	105	63	13.28	2.3	1.90	117	56	11.83	3.4			3.00	137	48	10.11	3.2	3.20	147	45	9.47			3.2			3.40	71	93	19.71	0.4			0.85	82	81	16.99	1.3	0.95	88	75	15.84	1.3	1.05	100	66	13.84	1.3	1.20	107	62	12.98	1.3	1.25	121	54	11.45	1.3	1.35	137	48	10.15	1.3	1.45	161	41	8.63	1.2	1.60	184	36	7.55	1.1	1.45	197	33	7.04	1.1	1.50	226	29	6.15	1.1	1.70	241	27	5.76	1.1	1.75	273	24	5.09	1.1	1.95	308	21	4.51	1.0	2.00	363	18	3.83	1.0	2.30																																																																																								
18	378	77.24	12	2.00			21	322	65.77	12	2.40			24	282	57.68	12	2.70			27	255	52.07	12	3.00			30	224	45.81	12	3.50	32	212	43.26	12	3.70			11	631	128.97	3.8	0.90			GR69 GRF69	4P	64	107	21.81					4.2	2.70	12					558	113.94	7.3			1.00	13	518	105.83	7.7					1.10			14	470			95.91	8.2	1.20	16	422			86.11	8.6	1.35	19	363		74.17	9.0		1.55	20	341	69.75	9.1	1.65	23	300			61.26	9.3	1.90	24	278			56.89	9.4	2.00			27	252	51.56	10	2.20	30	227	46.29	10	2.50	13	522	106.58	4.4	0.80	GR39 GRF39	4P	66	106	22.27	4.0	1.75			14	485	98.99	5.9	0.90			15	439	89.71	6.7	0.95	17	394	80.55	6.9	1.10			20	339	69.23	7.1	1.25			21	317	64.85	7.1	1.35			24	280	57.29	6.9	1.50			26	261	53.22	6.7	1.65	29	236	48.23	6.6	1.80			32	212	43.30	6.4	2.00			37	183	37.30			6.2	2.30	40	172	35.07			6.1	2.50	46	148	30.18			5.8	2.90	52	132	26.97			5.6			3.20	53	129	26.31	5.6			3.30	56	122			24.99	5.5	3.50			63	107	21.93	5.3	4.00	75	91	18.60	5.1	4.70			48	136	28.78	2.7	0.85	GR29 GRF29	4P	57	116	24.47	2.7	1.00			62	106	22.32	2.6	1.10	GR29 GRF29	4P	72	92	19.35	2.5	1.30			77	86	18.08	2.5	1.40			89	74	15.63	2.4	1.60	105	63	13.28	2.3	1.90			117	56	11.83	3.4	3.00			137	48	10.11			3.2	3.20	147	45	9.47			3.2	3.40	48	136	28.78	2.7	0.85	GR19 GRF19	4P	57			116	24.47			2.7			1.00	62					106	22.32	2.6	1.10			72	92	19.35			2.5							1.30	77	86	18.08	2.5	1.40	89		74	15.63		2.4			1.60	105	63			13.28	2.3	1.90	117	56	11.83	3.4	3.00	137	48	10.11	3.2			3.20	147	45	9.47	3.2	3.40	71	93	19.71			0.4			0.85	82	81	16.99	1.3	0.95	88	75	15.84	1.3	1.05	100	66	13.84	1.3	1.20	107	62	12.98	1.3	1.25	121	54	11.45	1.3	1.35	137	48	10.15	1.3	1.45	161	41	8.63	1.2	1.60	184	36	7.55	1.1	1.45	197	33	7.04	1.1	1.50	226	29	6.15	1.1	1.70	241	27	5.76	1.1	1.75	273	24	5.09	1.1	1.95	308	21	4.51	1.0	2.00	363	18	3.83	1.0	2.30																																																																																															
21	322	65.77	12	2.40			24	282	57.68	12	2.70			27	255	52.07	12	3.00			30	224	45.81	12	3.50			32	212	43.26	12	3.70	11	631	128.97	3.8	0.90			GR69 GRF69	4P	64	107	21.81					4.2	2.70	12					558	113.94	7.3					1.00	13	518			105.83	7.7	1.10	14	470					95.91	8.2	1.20	16	422			86.11	8.6	1.35	19	363			74.17	9.0	1.55	20	341		69.75	9.1		1.65	23	300	61.26	9.3	1.90	24	278			56.89	9.4	2.00	27	252			51.56	10	2.20	30	227	46.29	10	2.50	13	522	106.58	4.4	0.80	GR39 GRF39	4P	66	106	22.27	4.0	1.75			14	485	98.99	5.9	0.90			15	439	89.71	6.7	0.95			17	394	80.55	6.9	1.10	20	339	69.23	7.1	1.25			21	317	64.85	7.1	1.35			24	280	57.29	6.9	1.50			26	261	53.22	6.7	1.65			29	236	48.23	6.6	1.80	32	212	43.30	6.4	2.00			37	183	37.30	6.2	2.30			40	172	35.07			6.1	2.50	46	148	30.18			5.8	2.90	52	132	26.97			5.6	3.20	53	129	26.31			5.6			3.30	56	122	24.99	5.5			3.50	63	107			21.93	5.3	4.00			75	91	18.60	5.1	4.70	48	136	28.78	2.7	0.85	GR29 GRF29	4P	57	116	24.47	2.7	1.00			62	106	22.32	2.6	1.10	GR29 GRF29	4P	72	92	19.35	2.5	1.30			77	86	18.08	2.5	1.40			89	74	15.63	2.4	1.60			105	63	13.28	2.3	1.90	117	56	11.83	3.4	3.00			137	48	10.11	3.2	3.20			147	45	9.47			3.2	3.40	48	136	28.78			2.7	0.85	GR19 GRF19	4P	57	116	24.47			2.7			1.00	62			106			22.32	2.6					1.10	72	92	19.35			2.5	1.30	77			86				18.08	2.5		1.40	89	74	15.63	2.4	1.60	105		63	13.28		2.3			1.90	117	56			11.83	3.4	3.00	137	48	10.11	3.2	3.20	147	45	9.47	3.2			3.40	71	93	19.71	0.4	0.85	82	81	16.99			1.3	0.95	88	75	15.84	1.3	1.05	100	66	13.84	1.3	1.20	107	62	12.98	1.3	1.25	121	54	11.45	1.3	1.35	137	48	10.15	1.3	1.45	161	41	8.63	1.2	1.60	184	36	7.55	1.1	1.45	197	33	7.04	1.1	1.50	226	29	6.15	1.1	1.70	241	27	5.76	1.1	1.75	273	24	5.09	1.1	1.95	308	21	4.51	1.0	2.00	363	18	3.83	1.0	2.30																																																																																																						
24	282	57.68	12	2.70			27	255	52.07	12	3.00			30	224	45.81	12	3.50			32	212	43.26	12	3.70			11	631	128.97	3.8	0.90	GR69 GRF69	4P	64	107	21.81					4.2	2.70	12					558	113.94	7.3					1.00	13	518					105.83	7.7	1.10			14	470	95.91	8.2	1.20	16	422			86.11	8.6	1.35	19	363			74.17	9.0	1.55	20	341			69.75	9.1	1.65	23	300		61.26	9.3		1.90	24	278	56.89	9.4	2.00	27	252			51.56	10	2.20	30	227	46.29	10	2.50	13	522	106.58	4.4	0.80	GR39 GRF39	4P	66	106	22.27	4.0	1.75			14	485	98.99	5.9	0.90			15	439	89.71	6.7	0.95			17	394	80.55	6.9	1.10			20	339	69.23	7.1	1.25	21	317	64.85	7.1	1.35			24	280	57.29	6.9	1.50			26	261	53.22	6.7	1.65			29	236	48.23	6.6	1.80			32	212	43.30	6.4	2.00	37	183	37.30	6.2	2.30			40	172	35.07	6.1	2.50			46	148	30.18			5.8	2.90	52	132	26.97			5.6	3.20	53	129	26.31			5.6	3.30	56	122	24.99			5.5			3.50	63	107	21.93	5.3			4.00	75	91			18.60	5.1	4.70	48	136	28.78	2.7	0.85	GR29 GRF29	4P	57	116	24.47	2.7	1.00			62	106	22.32	2.6	1.10	GR29 GRF29	4P	72	92	19.35	2.5	1.30			77	86	18.08	2.5	1.40			89	74	15.63	2.4	1.60			105	63	13.28	2.3	1.90			117	56	11.83	3.4	3.00	137	48	10.11	3.2	3.20			147	45	9.47	3.2	3.40			48	136	28.78			2.7	0.85	GR19 GRF19	4P	57			116	24.47			2.7	1.00	62			106			22.32	2.6			1.10			72	92					19.35	2.5	1.30	77			86	18.08	2.5			1.40			89	74	15.63	2.4	1.60	105	63	13.28	2.3	1.90	117		56	11.83		3.4			3.00	137	48			10.11	3.2	3.20	147	45	9.47	3.2	3.40	71	93	19.71	0.4			0.85	82	81	16.99	1.3	0.95	88	75	15.84	1.3	1.05	100	66	13.84	1.3	1.20	107	62	12.98	1.3	1.25	121	54	11.45	1.3	1.35	137	48	10.15	1.3	1.45	161	41	8.63	1.2	1.60	184	36	7.55	1.1	1.45	197	33	7.04	1.1	1.50	226	29	6.15	1.1	1.70	241	27	5.76	1.1	1.75	273	24	5.09	1.1	1.95	308	21	4.51	1.0	2.00	363	18	3.83	1.0	2.30																																																																																																													
27	255	52.07	12	3.00			30	224	45.81	12	3.50			32	212	43.26	12	3.70			11	631	128.97	3.8	0.90			GR69 GRF69	4P	64	107	21.81			4.2	2.70	12					558	113.94	7.3					1.00	13	518					105.83	7.7	1.10					14	470	95.91	8.2	1.20	16	422	86.11	8.6	1.35	19	363			74.17	9.0	1.55	20	341			69.75	9.1	1.65	23	300			61.26	9.3	1.90	24	278		56.89	9.4		2.00	27	252	51.56	10	2.20	30	227	46.29	10	2.50	13	522	106.58	4.4	0.80	GR39 GRF39	4P	66	106	22.27	4.0	1.75			14	485	98.99	5.9	0.90			15	439	89.71	6.7	0.95			17	394	80.55	6.9	1.10			20	339	69.23	7.1	1.25			21	317	64.85	7.1	1.35	24	280	57.29	6.9	1.50			26	261	53.22	6.7	1.65			29	236	48.23	6.6	1.80			32	212	43.30	6.4	2.00			37	183	37.30	6.2	2.30	40	172	35.07	6.1	2.50			46	148	30.18	5.8	2.90			52	132	26.97			5.6	3.20	53	129	26.31			5.6	3.30	56	122	24.99			5.5	3.50	63	107	21.93			5.3			4.00	75	91	18.60	5.1			4.70	48	136	28.78	2.7	0.85	GR29 GRF29	4P	57	116	24.47	2.7	1.00			62	106	22.32	2.6	1.10	GR29 GRF29	4P	72	92	19.35	2.5	1.30			77	86	18.08	2.5	1.40			89	74	15.63	2.4	1.60			105	63	13.28	2.3	1.90			117	56	11.83	3.4	3.00			137	48	10.11	3.2	3.20	147	45	9.47	3.2	3.40			48	136	28.78	2.7	0.85			GR19 GRF19	4P	57			116	24.47			2.7			1.00	62			106	22.32	2.6			1.10			72	92			19.35			2.5	1.30					77	86	18.08	2.5			1.40	89	74	15.63	2.4	1.60			105	63	13.28	2.3	1.90	117	56	11.83	3.4	3.00	137		48	10.11		3.2			3.20	147	45			9.47	3.2	3.40	71	93	19.71	0.4	0.85	82	81	16.99	1.3	0.95	88	75	15.84	1.3	1.05	100	66	13.84	1.3	1.20	107	62	12.98	1.3	1.25	121	54	11.45	1.3	1.35	137	48	10.15	1.3	1.45	161	41	8.63	1.2	1.60	184	36	7.55	1.1	1.45	197	33	7.04	1.1	1.50	226	29	6.15	1.1	1.70	241	27	5.76	1.1	1.75	273	24	5.09	1.1	1.95	308	21	4.51	1.0	2.00	363	18	3.83	1.0	2.30																																																																																																																				
30	224	45.81	12	3.50			32	212	43.26	12	3.70			11	631	128.97	3.8	0.90			GR69 GRF69	4P	64	107	21.81					4.2	2.70	12			558	113.94	7.3					1.00	13	518					105.83	7.7	1.10					14	470	95.91	8.2	1.20			16	422	86.11	8.6	1.35	19	363	74.17	9.0	1.55	20	341			69.75	9.1	1.65	23	300			61.26	9.3	1.90	24	278			56.89	9.4	2.00	27	252	51.56	10	2.20	30	227	46.29	10	2.50	13	522	106.58	4.4	0.80	GR39 GRF39	4P	66	106	22.27	4.0	1.75			14	485	98.99	5.9	0.90			15	439	89.71	6.7	0.95			17	394	80.55	6.9	1.10			20	339	69.23	7.1	1.25			21	317	64.85	7.1	1.35			24	280	57.29	6.9	1.50	26	261	53.22	6.7	1.65			29	236	48.23	6.6	1.80			32	212	43.30	6.4	2.00			37	183	37.30	6.2	2.30			40	172	35.07	6.1	2.50	46	148	30.18	5.8	2.90			52	132	26.97	5.6	3.20			53	129	26.31			5.6	3.30	56	122	24.99			5.5	3.50	63	107	21.93			5.3	4.00	75	91	18.60			5.1			4.70	48	136	28.78	2.7	0.85	GR29 GRF29	4P	57	116	24.47	2.7	1.00			62	106	22.32	2.6	1.10	GR29 GRF29	4P	72	92	19.35	2.5	1.30			77	86	18.08	2.5	1.40			89	74	15.63	2.4	1.60			105	63	13.28	2.3	1.90			117	56	11.83	3.4	3.00			137	48	10.11	3.2	3.20			147	45	9.47	3.2	3.40	48	136	28.78	2.7	0.85			GR19 GRF19	4P	57	116	24.47					2.7			1.00	62			106			22.32	2.6			1.10	72	92			19.35			2.5	1.30			77			86	18.08					2.5	1.40	89	74	15.63	2.4	1.60	105	63	13.28	2.3	1.90			117	56	11.83	3.4	3.00	137	48	10.11	3.2	3.20	147		45	9.47		3.2			3.40	71	93	19.71	0.4	0.85	82	81	16.99	1.3	0.95	88	75	15.84	1.3	1.05	100	66	13.84	1.3	1.20	107	62	12.98	1.3	1.25	121	54	11.45	1.3	1.35	137	48	10.15	1.3	1.45	161	41	8.63	1.2	1.60	184	36	7.55	1.1	1.45	197	33	7.04	1.1	1.50	226	29	6.15	1.1	1.70	241	27	5.76	1.1	1.75	273	24	5.09	1.1	1.95	308	21	4.51	1.0	2.00	363	18	3.83	1.0	2.30																																																																																																																											
32	212	43.26	12	3.70			11	631	128.97	3.8	0.90			GR69 GRF69	4P	64	107	21.81					4.2	2.70	12					558	113.94	7.3			1.00	13	518					105.83	7.7	1.10					14	470	95.91	8.2	1.20			16	422	86.11	8.6	1.35			19	363	74.17	9.0	1.55	20	341	69.75	9.1	1.65	23	300			61.26	9.3	1.90	24	278			56.89	9.4	2.00	27	252	51.56	10	2.20	30	227	46.29	10	2.50	13	522	106.58	4.4	0.80	GR39 GRF39	4P	66	106	22.27	4.0	1.75			14	485	98.99	5.9	0.90			15	439	89.71	6.7	0.95			17	394	80.55	6.9	1.10			20	339	69.23	7.1	1.25			21	317	64.85	7.1	1.35			24	280	57.29	6.9	1.50			26	261	53.22	6.7	1.65	29	236	48.23	6.6	1.80			32	212	43.30	6.4	2.00			37	183	37.30	6.2	2.30			40	172	35.07	6.1	2.50			46	148	30.18	5.8	2.90	52	132	26.97	5.6	3.20			53	129	26.31	5.6	3.30			56	122	24.99			5.5	3.50	63	107	21.93			5.3	4.00	75	91	18.60			5.1	4.70	48	136	28.78			2.7	0.85	GR29 GRF29	4P	57	116	24.47	2.7	1.00			62	106	22.32	2.6	1.10	GR29 GRF29	4P	72	92	19.35	2.5	1.30			77	86	18.08	2.5	1.40			89	74	15.63	2.4	1.60			105	63	13.28	2.3	1.90			117	56	11.83	3.4	3.00			137	48	10.11	3.2	3.20			147	45	9.47	3.2	3.40			48	136	28.78	2.7	0.85	GR19 GRF19	4P	57	116	24.47					2.7	1.00	62					106			22.32	2.6			1.10			72	92			19.35	2.5	1.30			77			86	18.08			2.5			1.40	89		74	15.63		2.4	1.60	105	63	13.28	2.3	1.90	117	56	11.83	3.4	3.00			137	48	10.11	3.2	3.20	147	45	9.47	3.2	3.40	71		93	19.71		0.4	0.85	82	81	16.99	1.3	0.95	88	75	15.84	1.3	1.05	100	66	13.84	1.3	1.20	107	62	12.98	1.3	1.25	121	54	11.45	1.3	1.35	137	48	10.15	1.3	1.45	161	41	8.63	1.2	1.60	184	36	7.55	1.1	1.45	197	33	7.04	1.1	1.50	226	29	6.15	1.1	1.70	241	27	5.76	1.1	1.75	273	24	5.09	1.1	1.95	308	21	4.51	1.0	2.00	363	18	3.83	1.0	2.30																																																																																																																																		
11	631	128.97	3.8	0.90			GR69 GRF69	4P	64	107	21.81					4.2	2.70	12					558	113.94	7.3					1.00	13	518			105.83	7.7	1.10					14	470	95.91	8.2	1.20			16	422	86.11	8.6	1.35			19	363	74.17	9.0	1.55			20	341	69.75	9.1	1.65	23	300	61.26	9.3	1.90	24	278			56.89	9.4	2.00	27	252	51.56	10	2.20	30	227	46.29	10	2.50	13	522	106.58	4.4	0.80	GR39 GRF39	4P	66	106	22.27	4.0	1.75			14	485	98.99	5.9	0.90			15	439	89.71	6.7	0.95			17	394	80.55	6.9	1.10			20	339	69.23	7.1	1.25			21	317	64.85	7.1	1.35			24	280	57.29	6.9	1.50			26	261	53.22	6.7	1.65			29	236	48.23	6.6	1.80	32	212	43.30	6.4	2.00			37	183	37.30	6.2	2.30			40	172	35.07	6.1	2.50			46	148	30.18	5.8	2.90			52	132	26.97	5.6	3.20	53	129	26.31	5.6	3.30			56	122	24.99	5.5	3.50			63	107	21.93			5.3	4.00	75	91	18.60			5.1	4.70	48	136	28.78			2.7	0.85	GR29 GRF29	4P	57	116	24.47	2.7	1.00			62	106	22.32	2.6	1.10	GR29 GRF29	4P	72	92	19.35	2.5	1.30			77	86	18.08	2.5	1.40			89	74	15.63	2.4	1.60			105	63	13.28	2.3	1.90			117	56	11.83	3.4	3.00			137	48	10.11	3.2	3.20			147	45	9.47	3.2	3.40			48	136	28.78	2.7	0.85			GR19 GRF19	4P	57	116	24.47			2.7	1.00	62					106	22.32	2.6					1.10			72	92			19.35			2.5	1.30			77	86	18.08			2.5			1.40	89			74	15.63	2.4	1.60	105		63	13.28		2.3	1.90	117	56	11.83	3.4	3.00	137	48	10.11	3.2	3.20			147	45	9.47	3.2	3.40	71	93	19.71	0.4	0.85	82	81	16.99	1.3	0.95	88	75	15.84	1.3	1.05	100	66	13.84	1.3	1.20	107	62	12.98	1.3	1.25	121	54	11.45	1.3	1.35	137	48	10.15	1.3	1.45	161	41	8.63	1.2	1.60	184	36	7.55	1.1	1.45	197	33	7.04	1.1	1.50	226	29	6.15	1.1	1.70	241	27	5.76	1.1	1.75	273	24	5.09	1.1	1.95	308	21	4.51	1.0	2.00	363	18	3.83	1.0	2.30																																																																																																																																									
12	558	113.94	7.3	1.00					13	518	105.83					7.7	1.10	14					470	95.91	8.2					1.20	16	422			86.11	8.6	1.35	19	363			74.17	9.0	1.55	20	341			69.75	9.1	1.65	23	300			61.26	9.3	1.90	24	278			56.89	9.4	2.00	27	252	51.56	10	2.20	30	227	46.29	10	2.50	13	522	106.58	4.4	0.80	GR39 GRF39	4P	66	106	22.27	4.0	1.75	14	485	98.99	5.9	0.90	15	439			89.71	6.7	0.95	17	394			80.55	6.9	1.10	20	339			69.23	7.1	1.25	21	317			64.85	7.1	1.35	24	280			57.29	6.9	1.50	26	261			53.22	6.7	1.65	29	236			48.23	6.6	1.80	32	212			43.30	6.4	2.00	37	183			37.30	6.2	2.30	40	172	35.07	6.1	2.50	46	148			30.18	5.8	2.90	52	132			26.97	5.6	3.20	53	129			26.31	5.6	3.30	56	122			24.99	5.5	3.50	63	107	21.93	5.3	4.00	75	91			18.60	5.1	4.70	48	136			28.78	2.7	0.85			GR29 GRF29	4P	57	116	24.47			2.7	1.00	62	106	22.32	2.6	1.10	GR29 GRF29	4P			72	92	19.35	2.5	1.30	77	86	18.08	2.5	1.40	89	74			15.63	2.4	1.60	105	63			13.28	2.3	1.90	117	56			11.83	3.4	3.00	137	48			10.11	3.2	3.20	147	45			9.47	3.2	3.40	48	136			28.78	2.7	0.85	GR19 GRF19	4P			57	116	24.47	2.7	1.00			62	106	22.32	2.6	1.10					72	92	19.35			2.5	1.30	77					86	18.08	2.5					1.40			89	74			15.63			2.4	1.60			105	63	13.28			2.3	1.90	117	56	11.83			3.4	3.00	137	48	10.11		3.2	3.20		147	45	9.47	3.2	3.40	71	93	19.71	0.4	0.85	82	81	16.99	1.3	0.95	88	75	15.84	1.3	1.05	100	66	13.84	1.3	1.20	107	62	12.98	1.3	1.25	121	54	11.45	1.3	1.35	137	48	10.15	1.3	1.45	161	41	8.63	1.2	1.60	184	36	7.55	1.1	1.45	197	33	7.04	1.1	1.50	226	29	6.15	1.1	1.70	241	27	5.76	1.1	1.75	273	24	5.09	1.1	1.95	308	21	4.51	1.0	2.00	363	18	3.83	1.0	2.30																																																																																																																																																							
13	518	105.83	7.7	1.10					14	470	95.91					8.2	1.20	16					422	86.11	8.6	1.35	19			363	74.17	9.0			1.55	20	341	69.75	9.1			1.65	23	300	61.26	9.3			1.90	24	278	56.89	9.4			2.00	27	252	51.56	10	2.20	30	227	46.29	10	2.50	13	522	106.58	4.4	0.80	GR39 GRF39	4P	66	106	22.27	4.0	1.75	14	485			98.99	5.9	0.90	15	439	89.71	6.7	0.95	17	394	80.55	6.9			1.10	20	339	69.23	7.1			1.25	21	317	64.85	7.1			1.35	24	280	57.29	6.9			1.50	26	261	53.22	6.7			1.65	29	236	48.23	6.6			1.80	32	212	43.30	6.4			2.00	37	183	37.30	6.2			2.30	40	172	35.07	6.1			2.50	46	148	30.18	5.8	2.90	52	132	26.97	5.6			3.20	53	129	26.31	5.6			3.30	56	122	24.99	5.5			3.50	63	107	21.93	5.3			4.00	75	91	18.60	5.1	4.70	48	136	28.78	2.7			0.85	GR29 GRF29	4P	57	116			24.47	2.7	1.00					62	106	22.32	2.6	1.10	GR29 GRF29	4P	72	92	19.35	2.5	1.30			77	86	18.08	2.5	1.40	89	74	15.63	2.4	1.60	105	63	13.28	2.3			1.90	117	56	11.83	3.4			3.00	137	48	10.11	3.2			3.20	147	45	9.47	3.2			3.40	48	136	28.78	2.7			0.85	GR19 GRF19	4P	57	116			24.47	2.7	1.00					62	106	22.32	2.6	1.10			72	92	19.35	2.5	1.30					77	86	18.08			2.5	1.40	89					74	15.63	2.4					1.60			105	63			13.28	2.3	1.90	117	56			11.83	3.4	3.00			137	48	10.11	3.2	3.20			147	45	9.47	3.2	3.40	71	93	19.71	0.4	0.85	82	81	16.99	1.3	0.95	88	75	15.84	1.3	1.05	100	66	13.84	1.3	1.20	107	62	12.98	1.3	1.25	121	54	11.45	1.3	1.35	137	48	10.15	1.3	1.45	161	41	8.63	1.2	1.60	184	36	7.55	1.1	1.45	197	33	7.04	1.1	1.50	226	29	6.15	1.1	1.70	241	27	5.76	1.1	1.75	273	24	5.09	1.1	1.95	308	21	4.51	1.0	2.00	363	18	3.83	1.0	2.30																																																																																																																																																																
14	470	95.91	8.2	1.20					16	422	86.11					8.6	1.35	19	363	74.17			9.0	1.55	20	341	69.75			9.1	1.65	23			300	61.26	9.3	1.90	24			278	56.89	9.4	2.00	27			252	51.56	10	2.20	30	227	46.29	10	2.50	13	522	106.58	4.4	0.80	GR39 GRF39	4P	66	106	22.27	4.0	1.75	14	485			98.99	5.9	0.90	15	439	89.71	6.7			0.95	17	394	80.55	6.9	1.10	20	339	69.23	7.1	1.25	21			317	64.85	7.1	1.35	24			280	57.29	6.9	1.50	26			261	53.22	6.7	1.65	29			236	48.23	6.6	1.80	32			212	43.30	6.4	2.00	37			183	37.30	6.2	2.30	40			172	35.07	6.1	2.50	46			148	30.18	5.8	2.90	52			132	26.97	5.6	3.20	53	129	26.31	5.6	3.30	56			122	24.99	5.5	3.50	63			107	21.93	5.3	4.00	75			91	18.60	5.1	4.70	48			136	28.78	2.7	0.85	GR29 GRF29	4P	57	116	24.47	2.7			1.00			62	106			22.32	2.6	1.10	GR29 GRF29	4P	72	92	19.35	2.5	1.30	77	86			18.08	2.5	1.40	89	74			15.63	2.4	1.60	105	63	13.28	2.3	1.90	117	56	11.83	3.4	3.00	137			48	10.11	3.2	3.20	147			45	9.47	3.2	3.40	48			136	28.78	2.7	0.85	GR19 GRF19			4P	57	116	24.47	2.7			1.00			62	106			22.32	2.6	1.10					72	92	19.35	2.5	1.30			77	86	18.08	2.5	1.40					89	74	15.63			2.4	1.60	105					63	13.28	2.3					1.90	117	56	11.83	3.4			3.00	137	48	10.11	3.2			3.20	147	45			9.47	3.2	3.40	71	93	19.71	0.4	0.85	82	81	16.99	1.3	0.95	88	75	15.84	1.3	1.05	100	66	13.84	1.3	1.20	107	62	12.98	1.3	1.25	121	54	11.45	1.3	1.35	137	48	10.15	1.3	1.45	161	41	8.63	1.2	1.60	184	36	7.55	1.1	1.45	197	33	7.04	1.1	1.50	226	29	6.15	1.1	1.70	241	27	5.76	1.1	1.75	273	24	5.09	1.1	1.95	308	21	4.51	1.0	2.00	363	18	3.83	1.0	2.30																																																																																																																																																																									
16	422	86.11	8.6	1.35					19	363	74.17	9.0	1.55			20	341	69.75	9.1	1.65			23	300	61.26	9.3	1.90			24	278	56.89			9.4	2.00	27	252	51.56			10	2.20	30	227	46.29	10	2.50	13	522	106.58	4.4	0.80	GR39 GRF39	4P	66	106	22.27	4.0	1.75	14	485			98.99	5.9	0.90	15	439	89.71	6.7			0.95	17	394	80.55	6.9	1.10	20			339	69.23	7.1	1.25	21	317	64.85	7.1	1.35	24	280	57.29			6.9	1.50	26	261	53.22			6.7	1.65	29	236	48.23			6.6	1.80	32	212	43.30			6.4	2.00	37	183	37.30			6.2	2.30	40	172	35.07			6.1	2.50	46	148	30.18			5.8	2.90	52	132	26.97			5.6	3.20	53	129	26.31			5.6	3.30	56	122	24.99	5.5	3.50	63	107	21.93			5.3	4.00	75	91	18.60			5.1	4.70	48	136	28.78			2.7	0.85	GR29 GRF29	4P	57			116	24.47	2.7	1.00			62	106	22.32	2.6			1.10	GR29 GRF29	4P	72	92	19.35	2.5	1.30	77	86			18.08	2.5	1.40	89	74	15.63	2.4			1.60	105	63	13.28	2.3			1.90	117	56	11.83	3.4	3.00	137	48	10.11	3.2	3.20	147	45	9.47			3.2	3.40	48	136	28.78			2.7	0.85	GR19 GRF19	4P	57			116	24.47	2.7	1.00					62	106	22.32	2.6			1.10			72	92			19.35	2.5	1.30					77	86	18.08	2.5	1.40			89	74	15.63	2.4	1.60					105	63	13.28			2.3	1.90	117					56	11.83	3.4	3.00	137			48	10.11	3.2	3.20	147			45	9.47	3.2	3.40	71			93	19.71	0.4	0.85	82	81	16.99	1.3	0.95	88	75	15.84	1.3	1.05	100	66	13.84	1.3	1.20	107	62	12.98	1.3	1.25	121	54	11.45	1.3	1.35	137	48	10.15	1.3	1.45	161	41	8.63	1.2	1.60	184	36	7.55	1.1	1.45	197	33	7.04	1.1	1.50	226	29	6.15	1.1	1.70	241	27	5.76	1.1	1.75	273	24	5.09	1.1	1.95	308	21	4.51	1.0	2.00	363	18	3.83	1.0	2.30																																																																																																																																																																																		
19	363	74.17	9.0	1.55	20	341			69.75	9.1	1.65	23	300			61.26	9.3	1.90	24	278			56.89	9.4	2.00	27	252			51.56	10	2.20			30	227	46.29	10	2.50	13	522	106.58	4.4	0.80	GR39 GRF39	4P	66	106	22.27	4.0	1.75	14	485			98.99	5.9	0.90	15	439	89.71	6.7			0.95	17	394	80.55	6.9	1.10	20			339	69.23	7.1	1.25	21	317	64.85			7.1	1.35	24	280	57.29	6.9	1.50	26	261	53.22	6.7	1.65			29	236	48.23	6.6	1.80			32	212	43.30	6.4	2.00			37	183	37.30	6.2	2.30			40	172	35.07	6.1	2.50			46	148	30.18	5.8	2.90			52	132	26.97	5.6	3.20			53	129	26.31	5.6	3.30			56	122	24.99	5.5	3.50			63	107	21.93	5.3	4.00	75	91	18.60	5.1	4.70			48	136	28.78	2.7	0.85			GR29 GRF29	4P	57	116	24.47			2.7	1.00			62			106	22.32	2.6	1.10	GR29 GRF29	4P	72	92	19.35	2.5	1.30	77	86			18.08	2.5	1.40	89	74	15.63	2.4			1.60	105	63	13.28	2.3	1.90	117			56	11.83	3.4	3.00	137			48	10.11	3.2	3.20	147	45	9.47	3.2	3.40	48	136	28.78	2.7	0.85			GR19 GRF19	4P	57	116	24.47			2.7	1.00			62			106	22.32	2.6	1.10					72	92	19.35	2.5			1.30			77	86			18.08	2.5	1.40					89	74	15.63	2.4	1.60			105	63	13.28	2.3	1.90					117	56	11.83			3.4	3.00	137	48	10.11			3.2	3.20	147	45	9.47			3.2	3.40	71	93	19.71			0.4	0.85	82	81	16.99	1.3	0.95	88	75	15.84	1.3	1.05	100	66	13.84	1.3	1.20	107	62	12.98	1.3	1.25	121	54	11.45	1.3	1.35	137	48	10.15	1.3	1.45	161	41	8.63	1.2	1.60	184	36	7.55	1.1	1.45	197	33	7.04	1.1	1.50	226	29	6.15	1.1	1.70	241	27	5.76	1.1	1.75	273	24	5.09	1.1	1.95	308	21	4.51	1.0	2.00	363	18	3.83	1.0	2.30																																																																																																																																																																																											
20	341	69.75	9.1	1.65	23	300			61.26	9.3	1.90	24	278			56.89	9.4	2.00	27	252			51.56	10	2.20	30	227			46.29	10	2.50	13	522	106.58	4.4	0.80	GR39 GRF39	4P	66	106	22.27	4.0	1.75			14	485	98.99	5.9	0.90	15	439			89.71	6.7	0.95	17	394	80.55	6.9			1.10	20	339	69.23	7.1	1.25	21			317	64.85	7.1	1.35	24	280	57.29			6.9	1.50	26	261	53.22	6.7	1.65	29	236	48.23	6.6	1.80			32	212	43.30	6.4	2.00			37	183	37.30	6.2	2.30			40	172	35.07	6.1	2.50			46	148	30.18	5.8	2.90			52	132	26.97	5.6	3.20			53	129	26.31	5.6	3.30			56	122	24.99	5.5	3.50			63	107	21.93	5.3	4.00			75	91	18.60	5.1	4.70	48	136	28.78	2.7	0.85			GR29 GRF29	4P	57	116	24.47					2.7	1.00	62			106	22.32	2.6	1.10	GR29 GRF29	4P	72	92	19.35	2.5	1.30			77	86	18.08	2.5	1.40	89	74			15.63	2.4	1.60	105	63	13.28	2.3			1.90	117	56	11.83	3.4	3.00	137			48	10.11	3.2	3.20	147			45	9.47	3.2	3.40	48	136	28.78	2.7	0.85	GR19 GRF19	4P	57	116	24.47					2.7	1.00	62			106	22.32			2.6			1.10	72	92	19.35					2.5	1.30	77	86			18.08			2.5	1.40			89	74	15.63					2.4	1.60	105	63	13.28			2.3	1.90	117	56	11.83	3.4	3.00			137	48	10.11			3.2	3.20	147	45	9.47			3.2	3.40	71	93	19.71			0.4	0.85	82	81	16.99	1.3	0.95	88	75	15.84	1.3	1.05	100	66	13.84	1.3	1.20	107	62	12.98	1.3	1.25	121	54	11.45	1.3	1.35	137	48	10.15	1.3	1.45	161	41	8.63	1.2	1.60	184	36	7.55	1.1	1.45	197	33	7.04	1.1	1.50	226	29	6.15	1.1	1.70	241	27	5.76	1.1	1.75	273	24	5.09	1.1	1.95	308	21	4.51	1.0	2.00	363	18	3.83	1.0	2.30																																																																																																																																																																																																		
23	300	61.26	9.3	1.90	24	278			56.89	9.4	2.00	27	252			51.56	10	2.20	30	227			46.29	10	2.50	13	522	106.58	4.4	0.80	GR39 GRF39	4P	66	106	22.27	4.0	1.75			14	485	98.99	5.9	0.90			15	439	89.71	6.7	0.95	17	394			80.55	6.9	1.10	20	339	69.23	7.1			1.25	21	317	64.85	7.1	1.35	24			280	57.29	6.9	1.50	26	261	53.22			6.7	1.65	29	236	48.23	6.6	1.80	32	212	43.30	6.4	2.00			37	183	37.30	6.2	2.30			40	172	35.07	6.1	2.50			46	148	30.18	5.8	2.90			52	132	26.97	5.6	3.20			53	129	26.31	5.6	3.30			56	122	24.99	5.5	3.50			63	107	21.93	5.3	4.00			75	91	18.60	5.1	4.70			48	136	28.78	2.7	0.85	GR29 GRF29	4P	57	116	24.47					2.7	1.00	62			106	22.32	2.6	1.10	GR29 GRF29	4P	72	92	19.35	2.5	1.30			77	86	18.08	2.5	1.40			89	74	15.63	2.4	1.60	105	63			13.28	2.3	1.90	117	56	11.83	3.4			3.00	137	48	10.11	3.2	3.20	147			45	9.47	3.2	3.40	48			136	28.78	2.7	0.85	GR19 GRF19	4P	57	116	24.47			2.7	1.00	62					106	22.32	2.6			1.10	72			92			19.35	2.5	1.30	77					86	18.08	2.5	1.40			89			74	15.63			2.4	1.60	105					63	13.28	2.3	1.90	117	56	11.83	3.4	3.00	137	48	10.11	3.2	3.20			147	45	9.47			3.2	3.40	71	93	19.71			0.4	0.85	82	81	16.99	1.3	0.95	88	75	15.84	1.3	1.05	100	66	13.84	1.3	1.20	107	62	12.98	1.3	1.25	121	54	11.45	1.3	1.35	137	48	10.15	1.3	1.45	161	41	8.63	1.2	1.60	184	36	7.55	1.1	1.45	197	33	7.04	1.1	1.50	226	29	6.15	1.1	1.70	241	27	5.76	1.1	1.75	273	24	5.09	1.1	1.95	308	21	4.51	1.0	2.00	363	18	3.83	1.0	2.30																																																																																																																																																																																																									
24	278	56.89	9.4	2.00	27	252			51.56	10	2.20	30	227			46.29	10	2.50	13	522	106.58	4.4	0.80	GR39 GRF39	4P	66	106	22.27	4.0	1.75			14	485	98.99	5.9	0.90			15	439	89.71	6.7	0.95			17	394	80.55	6.9	1.10	20	339			69.23	7.1	1.25	21	317	64.85	7.1			1.35	24	280	57.29	6.9	1.50	26			261	53.22	6.7	1.65	29	236	48.23			6.6	1.80	32	212	43.30	6.4	2.00	37	183	37.30	6.2	2.30			40	172	35.07	6.1	2.50			46	148	30.18	5.8	2.90			52	132	26.97	5.6	3.20			53	129	26.31	5.6	3.30			56	122	24.99	5.5	3.50			63	107	21.93	5.3	4.00			75	91	18.60	5.1	4.70			48	136	28.78	2.7	0.85			GR29 GRF29	4P	57	116	24.47			2.7	1.00	62			106	22.32	2.6	1.10	GR29 GRF29	4P	72	92	19.35	2.5	1.30			77	86	18.08	2.5	1.40			89	74	15.63	2.4	1.60			105	63	13.28	2.3	1.90	117	56			11.83	3.4	3.00	137	48	10.11	3.2			3.20	147	45	9.47	3.2	3.40	48			136	28.78	2.7	0.85	GR19 GRF19			4P	57	116	24.47			2.7	1.00	62			106	22.32	2.6					1.10	72	92			19.35	2.5			1.30			77	86	18.08	2.5					1.40	89	74	15.63			2.4			1.60	105			63	13.28	2.3			1.90	117	56	11.83	3.4	3.00	137	48	10.11	3.2	3.20	147	45	9.47	3.2	3.40			71	93	19.71			0.4	0.85	82	81	16.99	1.3	0.95	88	75	15.84	1.3	1.05	100	66	13.84	1.3	1.20	107	62	12.98	1.3	1.25	121	54	11.45	1.3	1.35	137	48	10.15	1.3	1.45	161	41	8.63	1.2	1.60	184	36	7.55	1.1	1.45	197	33	7.04	1.1	1.50	226	29	6.15	1.1	1.70	241	27	5.76	1.1	1.75	273	24	5.09	1.1	1.95	308	21	4.51	1.0	2.00	363	18	3.83	1.0	2.30																																																																																																																																																																																																																
27	252	51.56	10	2.20	30	227			46.29	10	2.50	13	522	106.58	4.4	0.80	GR39 GRF39	4P	66	106	22.27	4.0	1.75			14	485	98.99	5.9	0.90			15	439	89.71	6.7	0.95			17	394	80.55	6.9	1.10			20	339	69.23	7.1	1.25	21	317			64.85	7.1	1.35	24	280	57.29	6.9			1.50	26	261	53.22	6.7	1.65	29			236	48.23	6.6	1.80	32	212	43.30			6.4	2.00	37	183	37.30	6.2	2.30	40	172	35.07	6.1	2.50			46	148	30.18	5.8	2.90			52	132	26.97	5.6	3.20			53	129	26.31	5.6	3.30			56	122	24.99	5.5	3.50			63	107	21.93	5.3	4.00			75	91	18.60	5.1	4.70			48	136	28.78	2.7	0.85			GR29 GRF29	4P	57	116	24.47					2.7	1.00	62	106	22.32	2.6	1.10	GR29 GRF29	4P	72	92	19.35	2.5	1.30			77	86	18.08	2.5	1.40			89	74	15.63	2.4	1.60			105	63	13.28	2.3	1.90			117	56	11.83	3.4	3.00	137	48			10.11	3.2	3.20	147	45	9.47	3.2			3.40	48	136	28.78	2.7	0.85	GR19 GRF19			4P	57	116	24.47					2.7	1.00	62			106	22.32	2.6			1.10	72	92					19.35	2.5	1.30			77	86			18.08			2.5	1.40	89	74					15.63	2.4	1.60	105			63			13.28	2.3	1.90	117	56	11.83	3.4			3.00	137	48	10.11	3.2	3.20	147	45	9.47	3.2	3.40	71	93	19.71	0.4	0.85			82	81	16.99	1.3	0.95	88	75	15.84	1.3	1.05	100	66	13.84	1.3	1.20	107	62	12.98	1.3	1.25	121	54	11.45	1.3	1.35	137	48	10.15	1.3	1.45	161	41	8.63	1.2	1.60	184	36	7.55	1.1	1.45	197	33	7.04	1.1	1.50	226	29	6.15	1.1	1.70	241	27	5.76	1.1	1.75	273	24	5.09	1.1	1.95	308	21	4.51	1.0	2.00	363	18	3.83	1.0	2.30																																																																																																																																																																																																																							
30	227	46.29	10	2.50	13	522	106.58	4.4	0.80	GR39 GRF39	4P	66	106	22.27	4.0	1.75			14	485	98.99	5.9	0.90			15	439	89.71	6.7	0.95			17	394	80.55	6.9	1.10			20	339	69.23	7.1	1.25			21	317	64.85	7.1	1.35	24	280			57.29	6.9	1.50	26	261	53.22	6.7			1.65	29	236	48.23	6.6	1.80	32			212	43.30	6.4	2.00	37	183	37.30			6.2	2.30	40	172	35.07	6.1	2.50	46	148	30.18	5.8	2.90			52	132	26.97	5.6	3.20			53	129	26.31	5.6	3.30			56	122	24.99	5.5	3.50			63	107	21.93	5.3	4.00			75	91	18.60	5.1	4.70			48	136	28.78	2.7	0.85			GR29 GRF29	4P	57	116	24.47					2.7	1.00	62	106	22.32	2.6	1.10	GR29 GRF29	4P	72	92	19.35	2.5	1.30			77	86	18.08	2.5	1.40			89	74	15.63	2.4	1.60			105	63	13.28	2.3	1.90			117	56	11.83	3.4	3.00			137	48	10.11	3.2	3.20	147	45			9.47	3.2	3.40	48	136	28.78	2.7			0.85	GR19 GRF19	4P	57	116	24.47					2.7	1.00	62					106	22.32	2.6			1.10	72	92			19.35	2.5	1.30					77	86	18.08			2.5	1.40			89			74	15.63	2.4	1.60					105	63	13.28	2.3	1.90	117	56			11.83	3.4	3.00	137	48	10.11	3.2			3.20	147	45	9.47	3.2	3.40	71	93	19.71	0.4	0.85	82	81	16.99	1.3	0.95	88	75	15.84	1.3	1.05	100	66	13.84	1.3	1.20	107	62	12.98	1.3	1.25	121	54	11.45	1.3	1.35	137	48	10.15	1.3	1.45	161	41	8.63	1.2	1.60	184	36	7.55	1.1	1.45	197	33	7.04	1.1	1.50	226	29	6.15	1.1	1.70	241	27	5.76	1.1	1.75	273	24	5.09	1.1	1.95	308	21	4.51	1.0	2.00	363	18	3.83	1.0	2.30																																																																																																																																																																																																																														
13	522	106.58	4.4	0.80	GR39 GRF39	4P	66	106	22.27			4.0	1.75	14	485	98.99			5.9	0.90	15	439	89.71			6.7	0.95	17	394	80.55			6.9	1.10	20	339	69.23			7.1	1.25	21	317	64.85			7.1	1.35	24	280	57.29	6.9	1.50			26	261	53.22	6.7	1.65	29	236			48.23	6.6	1.80	32	212	43.30	6.4			2.00	37	183	37.30	6.2	2.30	40			172	35.07	6.1	2.50	46	148	30.18	5.8	2.90	52	132	26.97			5.6	3.20	53	129	26.31			5.6	3.30	56	122	24.99			5.5	3.50	63	107	21.93			5.3	4.00	75	91	18.60			5.1	4.70	48	136	28.78			2.7	0.85	GR29 GRF29	4P	57					116	24.47	2.7	1.00	62	106	22.32	2.6	1.10	GR29 GRF29	4P	72	92	19.35			2.5	1.30	77	86	18.08			2.5	1.40	89	74	15.63			2.4	1.60	105	63	13.28			2.3	1.90	117	56	11.83			3.4	3.00	137	48	10.11			3.2	3.20	147	45	9.47	3.2	3.40			48	136	28.78	2.7	0.85	GR19 GRF19	4P			57			116	24.47	2.7					1.00	62	106					22.32	2.6	1.10			72	92	19.35			2.5	1.30	77					86	18.08	2.5			1.40	89			74			15.63	2.4	1.60	105		63	13.28		2.3	1.90	117	56	11.83	3.4	3.00			137	48	10.11	3.2	3.20	147	45	9.47	3.2	3.40	71	93	19.71	0.4	0.85	82	81	16.99	1.3	0.95	88	75	15.84	1.3	1.05	100	66	13.84	1.3	1.20	107	62	12.98	1.3	1.25	121	54	11.45	1.3	1.35	137	48	10.15	1.3	1.45	161	41	8.63	1.2	1.60	184	36	7.55	1.1	1.45	197	33	7.04	1.1	1.50	226	29	6.15	1.1	1.70	241	27	5.76	1.1	1.75	273	24	5.09	1.1	1.95	308	21	4.51	1.0	2.00	363	18	3.83	1.0	2.30																																																																																																																																																																																																																																			
14	485	98.99	5.9	0.90			15	439	89.71			6.7	0.95	17	394	80.55			6.9	1.10	20	339	69.23			7.1	1.25	21	317	64.85			7.1	1.35	24	280	57.29			6.9	1.50	26	261	53.22			6.7	1.65	29	236	48.23	6.6	1.80			32	212	43.30	6.4	2.00	37	183			37.30	6.2	2.30	40	172	35.07	6.1			2.50	46	148	30.18	5.8	2.90	52			132	26.97	5.6	3.20	53	129	26.31	5.6	3.30	56	122	24.99			5.5	3.50	63	107	21.93			5.3	4.00	75	91	18.60			5.1	4.70	48	136	28.78			2.7	0.85	GR29 GRF29	4P	57			116	24.47	2.7	1.00	62			106	22.32			2.6	1.10	GR29 GRF29	4P	72	92	19.35	2.5	1.30	77	86	18.08	2.5	1.40			89	74	15.63			2.4	1.60	105	63	13.28			2.3	1.90	117	56	11.83			3.4	3.00	137	48	10.11			3.2	3.20	147	45	9.47			3.2	3.40	48	136	28.78			2.7	0.85	GR19 GRF19	4P	57	116	24.47			2.7	1.00	62	106	22.32					2.6			1.10	72	92					19.35	2.5	1.30					77	86	18.08			2.5	1.40	89			74	15.63	2.4					1.60	105	63			13.28	2.3			1.90	117	56	11.83	3.4	3.00	137		48	10.11		3.2	3.20	147	45	9.47	3.2	3.40	71	93	19.71	0.4	0.85	82	81	16.99	1.3	0.95	88	75	15.84	1.3	1.05	100	66	13.84	1.3	1.20	107	62	12.98	1.3	1.25	121	54	11.45	1.3	1.35	137	48	10.15	1.3	1.45	161	41	8.63	1.2	1.60	184	36	7.55	1.1	1.45	197	33	7.04	1.1	1.50	226	29	6.15	1.1	1.70	241	27	5.76	1.1	1.75	273	24	5.09	1.1	1.95	308	21	4.51	1.0	2.00	363	18	3.83	1.0	2.30																																																																																																																																																																																																																																															
15	439	89.71	6.7	0.95			17	394	80.55			6.9	1.10	20	339	69.23			7.1	1.25	21	317	64.85			7.1	1.35	24	280	57.29			6.9	1.50	26	261	53.22			6.7	1.65	29	236	48.23			6.6	1.80	32	212	43.30	6.4	2.00			37	183	37.30	6.2	2.30	40	172			35.07	6.1	2.50	46	148	30.18	5.8			2.90	52	132	26.97	5.6	3.20	53			129	26.31	5.6	3.30	56	122	24.99	5.5	3.50	63	107	21.93			5.3	4.00	75	91	18.60			5.1	4.70	48	136	28.78			2.7	0.85	GR29 GRF29	4P	57			116	24.47			2.7			1.00	62	106	22.32	2.6	1.10	GR29 GRF29	4P	72	92	19.35	2.5	1.30			77	86	18.08	2.5	1.40	89	74	15.63	2.4	1.60			105	63	13.28			2.3	1.90	117	56	11.83			3.4	3.00	137	48	10.11			3.2	3.20	147	45	9.47			3.2	3.40	48	136	28.78			2.7	0.85	GR19 GRF19	4P	57			116	24.47			2.7	1.00	62			106	22.32	2.6	1.10	72					92			19.35	2.5	1.30					77	86	18.08					2.5	1.40	89			74	15.63	2.4			1.60	105	63					13.28	2.3	1.90	117	56	11.83	3.4			3.00	137	48	10.11	3.2	3.20	147	45	9.47	3.2	3.40	71	93	19.71	0.4	0.85	82	81	16.99	1.3	0.95	88	75	15.84	1.3	1.05	100	66	13.84	1.3	1.20	107	62	12.98	1.3	1.25	121	54	11.45	1.3	1.35	137	48	10.15	1.3	1.45	161	41	8.63	1.2	1.60	184	36	7.55	1.1	1.45	197	33	7.04	1.1	1.50	226	29	6.15	1.1	1.70	241	27	5.76	1.1	1.75	273	24	5.09	1.1	1.95	308	21	4.51	1.0	2.00	363	18	3.83	1.0	2.30																																																																																																																																																																																																																																																						
17	394	80.55	6.9	1.10			20	339	69.23			7.1	1.25	21	317	64.85			7.1	1.35	24	280	57.29			6.9	1.50	26	261	53.22			6.7	1.65	29	236	48.23			6.6	1.80	32	212	43.30			6.4	2.00	37	183	37.30	6.2	2.30			40	172	35.07	6.1	2.50	46	148			30.18	5.8	2.90	52	132	26.97	5.6			3.20	53	129	26.31	5.6	3.30	56			122	24.99	5.5	3.50	63	107	21.93	5.3	4.00	75	91	18.60			5.1	4.70	48	136	28.78			2.7	0.85	GR29 GRF29	4P	57			116	24.47			2.7			1.00	62	106	22.32	2.6	1.10	GR29 GRF29	4P	72	92	19.35	2.5	1.30			77	86	18.08	2.5	1.40			89	74	15.63	2.4	1.60	105	63	13.28	2.3	1.90			117	56	11.83			3.4	3.00	137	48	10.11			3.2	3.20	147	45	9.47			3.2	3.40	48	136	28.78			2.7	0.85	GR19 GRF19	4P	57			116	24.47			2.7			1.00	62			106	22.32	2.6			1.10	72	92	19.35	2.5					1.30			77	86	18.08					2.5	1.40	89					74	15.63	2.4			1.60	105	63			13.28	2.3	1.90	117	56			11.83	3.4	3.00	137	48	10.11	3.2	3.20	147	45	9.47	3.2	3.40	71	93	19.71	0.4	0.85	82	81	16.99	1.3	0.95	88	75	15.84	1.3	1.05	100	66	13.84	1.3	1.20	107	62	12.98	1.3	1.25	121	54	11.45	1.3	1.35	137	48	10.15	1.3	1.45	161	41	8.63	1.2	1.60	184	36	7.55	1.1	1.45	197	33	7.04	1.1	1.50	226	29	6.15	1.1	1.70	241	27	5.76	1.1	1.75	273	24	5.09	1.1	1.95	308	21	4.51	1.0	2.00	363	18	3.83	1.0	2.30																																																																																																																																																																																																																																																													
20	339	69.23	7.1	1.25			21	317	64.85			7.1	1.35	24	280	57.29			6.9	1.50	26	261	53.22			6.7	1.65	29	236	48.23			6.6	1.80	32	212	43.30			6.4	2.00	37	183	37.30			6.2	2.30	40	172	35.07	6.1	2.50			46	148	30.18	5.8	2.90	52	132			26.97	5.6	3.20	53	129	26.31	5.6			3.30	56	122	24.99	5.5	3.50	63			107	21.93	5.3	4.00	75	91	18.60	5.1	4.70	48	136	28.78			2.7	0.85	GR29 GRF29	4P	57			116	24.47			2.7			1.00	62	106	22.32	2.6	1.10	GR29 GRF29	4P	72	92	19.35	2.5	1.30			77	86	18.08	2.5	1.40			89	74	15.63	2.4	1.60			105	63	13.28	2.3	1.90	117	56	11.83	3.4	3.00			137	48	10.11			3.2	3.20	147	45	9.47			3.2	3.40	48	136	28.78			2.7	0.85	GR19 GRF19	4P	57			116	24.47			2.7			1.00	62			106			22.32	2.6			1.10	72	92			19.35	2.5	1.30	77	86					18.08			2.5	1.40	89					74	15.63	2.4		1.60	105		63	13.28	2.3			1.90	117	56			11.83	3.4	3.00	137	48	10.11	3.2	3.20	147	45	9.47	3.2	3.40	71	93	19.71	0.4	0.85	82	81	16.99	1.3	0.95	88	75	15.84	1.3	1.05	100	66	13.84	1.3	1.20	107	62	12.98	1.3	1.25	121	54	11.45	1.3	1.35	137	48	10.15	1.3	1.45	161	41	8.63	1.2	1.60	184	36	7.55	1.1	1.45	197	33	7.04	1.1	1.50	226	29	6.15	1.1	1.70	241	27	5.76	1.1	1.75	273	24	5.09	1.1	1.95	308	21	4.51	1.0	2.00	363	18	3.83	1.0	2.30																																																																																																																																																																																																																																																																				
21	317	64.85	7.1	1.35			24	280	57.29			6.9	1.50	26	261	53.22			6.7	1.65	29	236	48.23			6.6	1.80	32	212	43.30			6.4	2.00	37	183	37.30			6.2	2.30	40	172	35.07			6.1	2.50	46	148	30.18	5.8	2.90			52	132	26.97	5.6	3.20	53	129			26.31	5.6	3.30	56	122	24.99	5.5			3.50	63	107	21.93	5.3	4.00	75			91	18.60	5.1	4.70	48	136	28.78	2.7	0.85	GR29 GRF29	4P	57			116	24.47			2.7			1.00	62	106	22.32	2.6	1.10	GR29 GRF29	4P	72	92	19.35	2.5	1.30			77	86	18.08	2.5	1.40			89	74	15.63	2.4	1.60			105	63	13.28	2.3	1.90			117	56	11.83	3.4	3.00	137	48	10.11	3.2	3.20			147	45	9.47			3.2	3.40	48	136	28.78			2.7	0.85	GR19 GRF19	4P	57			116	24.47			2.7			1.00	62			106			22.32	2.6			1.10			72	92			19.35	2.5	1.30			77	86	18.08	2.5	1.40					89			74	15.63	2.4		1.60	105		63	13.28	2.3		1.90	117		56	11.83	3.4			3.00	137	48	10.11	3.2	3.20	147	45	9.47	3.2	3.40	71	93	19.71	0.4	0.85	82	81	16.99	1.3	0.95	88	75	15.84	1.3	1.05	100	66	13.84	1.3	1.20	107	62	12.98	1.3	1.25	121	54	11.45	1.3	1.35	137	48	10.15	1.3	1.45	161	41	8.63	1.2	1.60	184	36	7.55	1.1	1.45	197	33	7.04	1.1	1.50	226	29	6.15	1.1	1.70	241	27	5.76	1.1	1.75	273	24	5.09	1.1	1.95	308	21	4.51	1.0	2.00	363	18	3.83	1.0	2.30																																																																																																																																																																																																																																																																											
24	280	57.29	6.9	1.50			26	261	53.22			6.7	1.65	29	236	48.23			6.6	1.80	32	212	43.30			6.4	2.00	37	183	37.30			6.2	2.30	40	172	35.07			6.1	2.50	46	148	30.18			5.8	2.90	52	132	26.97	5.6	3.20			53	129	26.31	5.6	3.30	56	122			24.99	5.5	3.50	63	107	21.93	5.3			4.00	75	91	18.60	5.1	4.70	48			136	28.78	2.7	0.85	GR29 GRF29	4P	57	116	24.47			2.7			1.00	62	106	22.32	2.6	1.10	GR29 GRF29	4P	72	92	19.35	2.5	1.30			77	86	18.08	2.5	1.40			89	74	15.63	2.4	1.60			105	63	13.28	2.3	1.90			117	56	11.83	3.4	3.00			137	48	10.11	3.2	3.20	147	45	9.47	3.2	3.40			48	136	28.78			2.7	0.85	GR19 GRF19	4P	57			116	24.47			2.7			1.00	62			106			22.32	2.6			1.10			72	92			19.35			2.5	1.30			77	86	18.08			2.5	1.40	89	74	15.63			2.4	1.60	105			63	13.28	2.3		1.90	117		56	11.83	3.4		3.00	137		48	10.11	3.2	3.20	147	45	9.47	3.2	3.40	71	93	19.71	0.4	0.85	82	81	16.99	1.3	0.95	88	75	15.84	1.3	1.05	100	66	13.84	1.3	1.20	107	62	12.98	1.3	1.25	121	54	11.45	1.3	1.35	137	48	10.15	1.3	1.45	161	41	8.63	1.2	1.60	184	36	7.55	1.1	1.45	197	33	7.04	1.1	1.50	226	29	6.15	1.1	1.70	241	27	5.76	1.1	1.75	273	24	5.09	1.1	1.95	308	21	4.51	1.0	2.00	363	18	3.83	1.0	2.30																																																																																																																																																																																																																																																																																		
26	261	53.22	6.7	1.65			29	236	48.23			6.6	1.80	32	212	43.30			6.4	2.00	37	183	37.30			6.2	2.30	40	172	35.07			6.1	2.50	46	148	30.18			5.8	2.90	52	132	26.97			5.6	3.20	53	129	26.31	5.6	3.30			56	122	24.99	5.5	3.50	63	107			21.93	5.3	4.00	75	91	18.60	5.1			4.70	48	136	28.78	2.7	0.85	GR29 GRF29			4P	57	116	24.47			2.7	1.00	62	106	22.32	2.6	1.10	GR29 GRF29	4P	72	92	19.35	2.5	1.30			77	86	18.08	2.5	1.40			89	74	15.63	2.4	1.60			105	63	13.28	2.3	1.90			117	56	11.83	3.4	3.00			137	48	10.11	3.2	3.20			147	45	9.47	3.2	3.40	48	136	28.78	2.7	0.85			GR19 GRF19	4P	57			116	24.47			2.7			1.00	62			106			22.32	2.6			1.10			72	92			19.35			2.5	1.30			77			86	18.08			2.5	1.40	89	74	15.63	2.4	1.60	105	63	13.28			2.3	1.90	117			56	11.83	3.4		3.00	137		48	10.11	3.2	3.20	147	45	9.47	3.2	3.40	71	93	19.71	0.4	0.85	82	81	16.99	1.3	0.95	88	75	15.84	1.3	1.05	100	66	13.84	1.3	1.20	107	62	12.98	1.3	1.25	121	54	11.45	1.3	1.35	137	48	10.15	1.3	1.45	161	41	8.63	1.2	1.60	184	36	7.55	1.1	1.45	197	33	7.04	1.1	1.50	226	29	6.15	1.1	1.70	241	27	5.76	1.1	1.75	273	24	5.09	1.1	1.95	308	21	4.51	1.0	2.00	363	18	3.83	1.0	2.30																																																																																																																																																																																																																																																																																									
29	236	48.23	6.6	1.80			32	212	43.30			6.4	2.00	37	183	37.30			6.2	2.30	40	172	35.07			6.1	2.50	46	148	30.18			5.8	2.90	52	132	26.97			5.6	3.20	53	129	26.31			5.6	3.30	56	122	24.99	5.5	3.50			63	107	21.93	5.3	4.00	75	91			18.60	5.1	4.70	48	136	28.78	2.7			0.85	GR29 GRF29	4P	57	116	24.47		2.7	1.00		62	106	22.32	2.6	1.10	GR29 GRF29	4P	72	92	19.35	2.5	1.30			77	86	18.08	2.5	1.40			89	74	15.63	2.4	1.60			105	63	13.28	2.3	1.90			117	56	11.83	3.4	3.00			137	48	10.11	3.2	3.20			147	45	9.47	3.2	3.40			48	136	28.78	2.7	0.85	GR19 GRF19	4P	57	116	24.47					2.7			1.00	62			106			22.32	2.6			1.10			72	92			19.35			2.5	1.30			77			86	18.08			2.5	1.40	89	74	15.63			2.4	1.60	105	63	13.28	2.3	1.90	117	56	11.83			3.4	3.00	137			48	10.11	3.2	3.20	147	45	9.47	3.2	3.40	71	93	19.71	0.4	0.85	82	81	16.99	1.3	0.95	88	75	15.84	1.3	1.05	100	66	13.84	1.3	1.20	107	62	12.98	1.3	1.25	121	54	11.45	1.3	1.35	137	48	10.15	1.3	1.45	161	41	8.63	1.2	1.60	184	36	7.55	1.1	1.45	197	33	7.04	1.1	1.50	226	29	6.15	1.1	1.70	241	27	5.76	1.1	1.75	273	24	5.09	1.1	1.95	308	21	4.51	1.0	2.00	363	18	3.83	1.0	2.30																																																																																																																																																																																																																																																																																																
32	212	43.30	6.4	2.00			37	183	37.30			6.2	2.30	40	172	35.07			6.1	2.50	46	148	30.18			5.8	2.90	52	132	26.97			5.6	3.20	53	129	26.31			5.6	3.30	56	122	24.99			5.5	3.50	63	107	21.93	5.3	4.00			75	91	18.60	5.1	4.70	48	136			28.78	2.7	0.85	GR29 GRF29	4P	57	116	24.47	2.7	1.00			62	106	22.32	2.6	1.10	GR29 GRF29	4P	72	92	19.35	2.5	1.30			77	86	18.08	2.5	1.40			89	74	15.63	2.4	1.60			105	63	13.28	2.3	1.90			117	56	11.83	3.4	3.00			137	48	10.11	3.2	3.20			147	45	9.47	3.2	3.40			48	136	28.78	2.7	0.85			GR19 GRF19	4P	57	116	24.47			2.7	1.00	62					106			22.32	2.6			1.10			72	92			19.35			2.5	1.30			77			86	18.08			2.5	1.40	89	74	15.63			2.4	1.60	105	63	13.28			2.3	1.90	117	56	11.83	3.4	3.00	137	48	10.11			3.2	3.20	147	45	9.47	3.2	3.40	71	93	19.71	0.4	0.85	82	81	16.99	1.3	0.95	88	75	15.84	1.3	1.05	100	66	13.84	1.3	1.20	107	62	12.98	1.3	1.25	121	54	11.45	1.3	1.35	137	48	10.15	1.3	1.45	161	41	8.63	1.2	1.60	184	36	7.55	1.1	1.45	197	33	7.04	1.1	1.50	226	29	6.15	1.1	1.70	241	27	5.76	1.1	1.75	273	24	5.09	1.1	1.95	308	21	4.51	1.0	2.00	363	18	3.83	1.0	2.30																																																																																																																																																																																																																																																																																																							
37	183	37.30	6.2	2.30			40	172	35.07			6.1	2.50	46	148	30.18			5.8	2.90	52	132	26.97			5.6	3.20	53	129	26.31			5.6	3.30	56	122	24.99			5.5	3.50	63	107	21.93			5.3	4.00	75	91	18.60	5.1	4.70			48	136	28.78	2.7	0.85	GR29 GRF29	4P	57	116	24.47	2.7	1.00			62	106	22.32	2.6	1.10	GR29 GRF29	4P	72	92	19.35	2.5	1.30			77	86	18.08	2.5	1.40			89	74	15.63	2.4	1.60			105	63	13.28	2.3	1.90			117	56	11.83	3.4	3.00			137	48	10.11	3.2	3.20			147	45	9.47	3.2	3.40			48	136	28.78	2.7	0.85			GR19 GRF19	4P	57	116	24.47					2.7	1.00	62			106	22.32	2.6					1.10			72	92			19.35			2.5	1.30			77			86	18.08			2.5	1.40	89	74	15.63			2.4	1.60	105	63	13.28			2.3	1.90	117	56	11.83			3.4	3.00	137	48	10.11	3.2	3.20	147	45	9.47	3.2	3.40	71	93	19.71	0.4	0.85	82	81	16.99	1.3	0.95	88	75	15.84	1.3	1.05	100	66	13.84	1.3	1.20	107	62	12.98	1.3	1.25	121	54	11.45	1.3	1.35	137	48	10.15	1.3	1.45	161	41	8.63	1.2	1.60	184	36	7.55	1.1	1.45	197	33	7.04	1.1	1.50	226	29	6.15	1.1	1.70	241	27	5.76	1.1	1.75	273	24	5.09	1.1	1.95	308	21	4.51	1.0	2.00	363	18	3.83	1.0	2.30																																																																																																																																																																																																																																																																																																														
40	172	35.07	6.1	2.50			46	148	30.18			5.8	2.90	52	132	26.97			5.6	3.20	53	129	26.31			5.6	3.30	56	122	24.99			5.5	3.50	63	107	21.93			5.3	4.00	75	91	18.60			5.1	4.70	48	136	28.78	2.7	0.85	GR29 GRF29	4P	57	116	24.47	2.7	1.00			62	106	22.32	2.6	1.10	GR29 GRF29	4P	72	92	19.35	2.5	1.30			77	86	18.08	2.5	1.40			89	74	15.63	2.4	1.60			105	63	13.28	2.3	1.90			117	56	11.83	3.4	3.00			137	48	10.11	3.2	3.20			147	45	9.47	3.2	3.40			48	136	28.78	2.7	0.85			GR19 GRF19	4P	57	116	24.47					2.7	1.00	62					106	22.32	2.6			1.10	72	92					19.35			2.5	1.30			77			86	18.08			2.5	1.40	89	74	15.63			2.4	1.60	105	63	13.28			2.3	1.90	117	56	11.83			3.4	3.00	137	48	10.11	3.2	3.20	147	45	9.47	3.2	3.40	71	93	19.71	0.4	0.85	82	81	16.99	1.3	0.95	88	75	15.84	1.3	1.05	100	66	13.84	1.3	1.20	107	62	12.98	1.3	1.25	121	54	11.45	1.3	1.35	137	48	10.15	1.3	1.45	161	41	8.63	1.2	1.60	184	36	7.55	1.1	1.45	197	33	7.04	1.1	1.50	226	29	6.15	1.1	1.70	241	27	5.76	1.1	1.75	273	24	5.09	1.1	1.95	308	21	4.51	1.0	2.00	363	18	3.83	1.0	2.30																																																																																																																																																																																																																																																																																																																					
46	148	30.18	5.8	2.90			52	132	26.97			5.6	3.20	53	129	26.31			5.6	3.30	56	122	24.99			5.5	3.50	63	107	21.93			5.3	4.00	75	91	18.60			5.1	4.70	48	136	28.78	2.7	0.85	GR29 GRF29	4P	57	116	24.47	2.7	1.00			62	106	22.32	2.6	1.10	GR29 GRF29	4P	72	92	19.35	2.5	1.30			77	86	18.08	2.5	1.40			89	74	15.63	2.4	1.60			105	63	13.28	2.3	1.90			117	56	11.83	3.4	3.00			137	48	10.11	3.2	3.20			147	45	9.47	3.2	3.40			48	136	28.78	2.7	0.85			GR19 GRF19	4P	57	116	24.47					2.7	1.00	62					106	22.32	2.6					1.10	72	92			19.35	2.5	1.30					77			86	18.08			2.5	1.40	89	74	15.63			2.4	1.60	105	63	13.28			2.3	1.90	117	56	11.83			3.4	3.00	137	48	10.11	3.2	3.20	147	45	9.47	3.2	3.40	71	93	19.71	0.4	0.85	82	81	16.99	1.3	0.95	88	75	15.84	1.3	1.05	100	66	13.84	1.3	1.20	107	62	12.98	1.3	1.25	121	54	11.45	1.3	1.35	137	48	10.15	1.3	1.45	161	41	8.63	1.2	1.60	184	36	7.55	1.1	1.45	197	33	7.04	1.1	1.50	226	29	6.15	1.1	1.70	241	27	5.76	1.1	1.75	273	24	5.09	1.1	1.95	308	21	4.51	1.0	2.00	363	18	3.83	1.0	2.30																																																																																																																																																																																																																																																																																																																												
52	132	26.97	5.6	3.20			53	129	26.31			5.6	3.30	56	122	24.99			5.5	3.50	63	107	21.93			5.3	4.00	75	91	18.60			5.1	4.70	48	136	28.78	2.7	0.85	GR29 GRF29	4P	57	116	24.47	2.7	1.00			62	106	22.32	2.6	1.10	GR29 GRF29	4P	72	92	19.35	2.5	1.30			77	86	18.08	2.5	1.40			89	74	15.63	2.4	1.60			105	63	13.28	2.3	1.90			117	56	11.83	3.4	3.00			137	48	10.11	3.2	3.20			147	45	9.47	3.2	3.40			48	136	28.78	2.7	0.85			GR19 GRF19	4P	57	116	24.47					2.7	1.00	62					106	22.32	2.6					1.10	72	92					19.35	2.5	1.30			77	86	18.08					2.5	1.40	89	74	15.63			2.4	1.60	105	63	13.28			2.3	1.90	117	56	11.83			3.4	3.00	137	48	10.11	3.2	3.20	147	45	9.47	3.2	3.40	71	93	19.71	0.4	0.85	82	81	16.99	1.3	0.95	88	75	15.84	1.3	1.05	100	66	13.84	1.3	1.20	107	62	12.98	1.3	1.25	121	54	11.45	1.3	1.35	137	48	10.15	1.3	1.45	161	41	8.63	1.2	1.60	184	36	7.55	1.1	1.45	197	33	7.04	1.1	1.50	226	29	6.15	1.1	1.70	241	27	5.76	1.1	1.75	273	24	5.09	1.1	1.95	308	21	4.51	1.0	2.00	363	18	3.83	1.0	2.30																																																																																																																																																																																																																																																																																																																																			
53	129	26.31	5.6	3.30			56	122	24.99			5.5	3.50	63	107	21.93			5.3	4.00	75	91	18.60			5.1	4.70	48	136	28.78	2.7	0.85	GR29 GRF29	4P	57	116	24.47	2.7	1.00			62	106	22.32	2.6	1.10	GR29 GRF29	4P	72	92	19.35	2.5	1.30			77	86	18.08	2.5	1.40			89	74	15.63	2.4	1.60			105	63	13.28	2.3	1.90			117	56	11.83	3.4	3.00			137	48	10.11	3.2	3.20			147	45	9.47	3.2	3.40			48	136	28.78	2.7	0.85			GR19 GRF19	4P	57	116	24.47					2.7	1.00	62					106	22.32	2.6					1.10	72	92					19.35	2.5	1.30					77	86	18.08			2.5	1.40	89	74	15.63			2.4	1.60	105	63	13.28			2.3	1.90	117	56	11.83			3.4	3.00	137	48	10.11	3.2	3.20	147	45	9.47	3.2	3.40	71	93	19.71	0.4	0.85	82	81	16.99	1.3	0.95	88	75	15.84	1.3	1.05	100	66	13.84	1.3	1.20	107	62	12.98	1.3	1.25	121	54	11.45	1.3	1.35	137	48	10.15	1.3	1.45	161	41	8.63	1.2	1.60	184	36	7.55	1.1	1.45	197	33	7.04	1.1	1.50	226	29	6.15	1.1	1.70	241	27	5.76	1.1	1.75	273	24	5.09	1.1	1.95	308	21	4.51	1.0	2.00	363	18	3.83	1.0	2.30																																																																																																																																																																																																																																																																																																																																										
56	122	24.99	5.5	3.50			63	107	21.93			5.3	4.00	75	91	18.60			5.1	4.70	48	136	28.78	2.7	0.85	GR29 GRF29	4P	57	116	24.47	2.7	1.00			62	106	22.32	2.6	1.10	GR29 GRF29	4P	72	92	19.35	2.5	1.30			77	86	18.08	2.5	1.40			89	74	15.63	2.4	1.60			105	63	13.28	2.3	1.90			117	56	11.83	3.4	3.00			137	48	10.11	3.2	3.20			147	45	9.47	3.2	3.40			48	136	28.78	2.7	0.85			GR19 GRF19	4P	57	116	24.47					2.7	1.00	62					106	22.32	2.6					1.10	72	92					19.35	2.5	1.30					77	86	18.08	2.5	1.40			89	74	15.63			2.4	1.60	105	63	13.28			2.3	1.90	117	56	11.83			3.4	3.00	137	48	10.11	3.2	3.20	147	45	9.47	3.2	3.40	71	93	19.71	0.4	0.85	82	81	16.99	1.3	0.95	88	75	15.84	1.3	1.05	100	66	13.84	1.3	1.20	107	62	12.98	1.3	1.25	121	54	11.45	1.3	1.35	137	48	10.15	1.3	1.45	161	41	8.63	1.2	1.60	184	36	7.55	1.1	1.45	197	33	7.04	1.1	1.50	226	29	6.15	1.1	1.70	241	27	5.76	1.1	1.75	273	24	5.09	1.1	1.95	308	21	4.51	1.0	2.00	363	18	3.83	1.0	2.30																																																																																																																																																																																																																																																																																																																																																	
63	107	21.93	5.3	4.00			75	91	18.60			5.1	4.70	48	136	28.78	2.7	0.85	GR29 GRF29	4P	57	116	24.47	2.7	1.00			62	106	22.32	2.6	1.10	GR29 GRF29	4P	72	92	19.35	2.5	1.30			77	86	18.08	2.5	1.40			89	74	15.63	2.4	1.60			105	63	13.28	2.3	1.90			117	56	11.83	3.4	3.00			137	48	10.11	3.2	3.20			147	45	9.47	3.2	3.40			48	136	28.78	2.7	0.85			GR19 GRF19	4P	57	116	24.47					2.7	1.00	62					106	22.32	2.6					1.10	72	92					19.35	2.5	1.30					77	86	18.08	2.5	1.40			89	74	15.63	2.4	1.60			105	63	13.28			2.3	1.90	117	56	11.83			3.4	3.00	137	48	10.11	3.2	3.20	147	45	9.47	3.2	3.40	71	93	19.71	0.4	0.85	82	81	16.99	1.3	0.95	88	75	15.84	1.3	1.05	100	66	13.84	1.3	1.20	107	62	12.98	1.3	1.25	121	54	11.45	1.3	1.35	137	48	10.15	1.3	1.45	161	41	8.63	1.2	1.60	184	36	7.55	1.1	1.45	197	33	7.04	1.1	1.50	226	29	6.15	1.1	1.70	241	27	5.76	1.1	1.75	273	24	5.09	1.1	1.95	308	21	4.51	1.0	2.00	363	18	3.83	1.0	2.30																																																																																																																																																																																																																																																																																																																																																								
75	91	18.60	5.1	4.70			48	136	28.78	2.7	0.85	GR29 GRF29	4P	57	116	24.47	2.7	1.00			62	106	22.32	2.6	1.10	GR29 GRF29	4P	72	92	19.35	2.5	1.30			77	86	18.08	2.5	1.40			89	74	15.63	2.4	1.60			105	63	13.28	2.3	1.90			117	56	11.83	3.4	3.00			137	48	10.11	3.2	3.20			147	45	9.47	3.2	3.40			48	136	28.78	2.7	0.85			GR19 GRF19	4P	57	116	24.47					2.7	1.00	62					106	22.32	2.6					1.10	72	92					19.35	2.5	1.30					77	86	18.08	2.5	1.40			89	74	15.63	2.4	1.60			105	63	13.28	2.3	1.90			117	56	11.83			3.4	3.00	137	48	10.11	3.2	3.20	147	45	9.47	3.2	3.40	71	93	19.71	0.4	0.85	82	81	16.99	1.3	0.95	88	75	15.84	1.3	1.05	100	66	13.84	1.3	1.20	107	62	12.98	1.3	1.25	121	54	11.45	1.3	1.35	137	48	10.15	1.3	1.45	161	41	8.63	1.2	1.60	184	36	7.55	1.1	1.45	197	33	7.04	1.1	1.50	226	29	6.15	1.1	1.70	241	27	5.76	1.1	1.75	273	24	5.09	1.1	1.95	308	21	4.51	1.0	2.00	363	18	3.83	1.0	2.30																																																																																																																																																																																																																																																																																																																																																															
48	136	28.78	2.7	0.85	GR29 GRF29	4P	57	116	24.47	2.7	1.00			62	106	22.32	2.6	1.10	GR29 GRF29	4P	72	92	19.35	2.5	1.30			77	86	18.08	2.5	1.40			89	74	15.63	2.4	1.60			105	63	13.28	2.3	1.90			117	56	11.83	3.4	3.00			137	48	10.11	3.2	3.20			147	45	9.47	3.2	3.40			48	136	28.78	2.7	0.85			GR19 GRF19	4P	57	116	24.47					2.7	1.00	62					106	22.32	2.6					1.10	72	92					19.35	2.5	1.30					77	86	18.08	2.5	1.40			89	74	15.63	2.4	1.60			105	63	13.28	2.3	1.90			117	56	11.83	3.4	3.00			137	48	10.11	3.2	3.20	147	45	9.47	3.2	3.40	71	93	19.71	0.4	0.85	82	81	16.99	1.3	0.95	88	75	15.84	1.3	1.05	100	66	13.84	1.3	1.20	107	62	12.98	1.3	1.25	121	54	11.45	1.3	1.35	137	48	10.15	1.3	1.45	161	41	8.63	1.2	1.60	184	36	7.55	1.1	1.45	197	33	7.04	1.1	1.50	226	29	6.15	1.1	1.70	241	27	5.76	1.1	1.75	273	24	5.09	1.1	1.95	308	21	4.51	1.0	2.00	363	18	3.83	1.0	2.30																																																																																																																																																																																																																																																																																																																																																																						
57	116	24.47	2.7	1.00			62	106	22.32	2.6	1.10	GR29 GRF29	4P	72	92	19.35	2.5	1.30			77	86	18.08	2.5	1.40			89	74	15.63	2.4	1.60			105	63	13.28	2.3	1.90			117	56	11.83	3.4	3.00			137	48	10.11	3.2	3.20			147	45	9.47	3.2	3.40			48	136	28.78	2.7	0.85			GR19 GRF19	4P	57	116	24.47					2.7	1.00	62					106	22.32	2.6					1.10	72	92					19.35	2.5	1.30					77	86	18.08	2.5	1.40			89	74	15.63	2.4	1.60			105	63	13.28	2.3	1.90			117	56	11.83	3.4	3.00			137	48	10.11	3.2	3.20	147	45	9.47	3.2	3.40	71	93	19.71	0.4	0.85	82	81	16.99	1.3	0.95	88	75	15.84	1.3	1.05	100	66	13.84	1.3	1.20	107	62	12.98	1.3	1.25	121	54	11.45	1.3	1.35	137	48	10.15	1.3	1.45	161	41	8.63	1.2	1.60	184	36	7.55	1.1	1.45	197	33	7.04	1.1	1.50	226	29	6.15	1.1	1.70	241	27	5.76	1.1	1.75	273	24	5.09	1.1	1.95	308	21	4.51	1.0	2.00	363	18	3.83	1.0	2.30																																																																																																																																																																																																																																																																																																																																																																													
62	106	22.32	2.6	1.10	GR29 GRF29	4P	72	92	19.35	2.5	1.30			77	86	18.08	2.5	1.40			89	74	15.63	2.4	1.60			105	63	13.28	2.3	1.90			117	56	11.83	3.4	3.00			137	48	10.11	3.2	3.20			147	45	9.47	3.2	3.40			48	136	28.78	2.7	0.85			GR19 GRF19	4P	57	116	24.47					2.7	1.00	62					106	22.32	2.6					1.10	72	92					19.35	2.5	1.30					77	86	18.08	2.5	1.40			89	74	15.63	2.4	1.60			105	63	13.28	2.3	1.90			117	56	11.83	3.4	3.00			137	48	10.11	3.2	3.20	147	45	9.47	3.2	3.40	71	93	19.71	0.4	0.85	82	81	16.99	1.3	0.95	88	75	15.84	1.3	1.05	100	66	13.84	1.3	1.20	107	62	12.98	1.3	1.25	121	54	11.45	1.3	1.35	137	48	10.15	1.3	1.45	161	41	8.63	1.2	1.60	184	36	7.55	1.1	1.45	197	33	7.04	1.1	1.50	226	29	6.15	1.1	1.70	241	27	5.76	1.1	1.75	273	24	5.09	1.1	1.95	308	21	4.51	1.0	2.00	363	18	3.83	1.0	2.30																																																																																																																																																																																																																																																																																																																																																																																				
72	92	19.35	2.5	1.30			77	86	18.08	2.5	1.40			89	74	15.63	2.4	1.60			105	63	13.28	2.3	1.90			117	56	11.83	3.4	3.00			137	48	10.11	3.2	3.20			147	45	9.47	3.2	3.40			48	136	28.78	2.7	0.85			GR19 GRF19	4P	57	116	24.47					2.7	1.00	62					106	22.32	2.6					1.10	72	92					19.35	2.5	1.30					77	86	18.08	2.5	1.40			89	74	15.63	2.4	1.60			105	63	13.28	2.3	1.90			117	56	11.83	3.4	3.00			137	48	10.11	3.2	3.20	147	45	9.47	3.2	3.40	71	93	19.71	0.4	0.85	82	81	16.99	1.3	0.95	88	75	15.84	1.3	1.05	100	66	13.84	1.3	1.20	107	62	12.98	1.3	1.25	121	54	11.45	1.3	1.35	137	48	10.15	1.3	1.45	161	41	8.63	1.2	1.60	184	36	7.55	1.1	1.45	197	33	7.04	1.1	1.50	226	29	6.15	1.1	1.70	241	27	5.76	1.1	1.75	273	24	5.09	1.1	1.95	308	21	4.51	1.0	2.00	363	18	3.83	1.0	2.30																																																																																																																																																																																																																																																																																																																																																																																											
77	86	18.08	2.5	1.40			89	74	15.63	2.4	1.60			105	63	13.28	2.3	1.90			117	56	11.83	3.4	3.00			137	48	10.11	3.2	3.20			147	45	9.47	3.2	3.40			48	136	28.78	2.7	0.85			GR19 GRF19	4P	57	116	24.47					2.7	1.00	62					106	22.32	2.6					1.10	72	92					19.35	2.5	1.30					77	86	18.08	2.5	1.40			89	74	15.63	2.4	1.60			105	63	13.28	2.3	1.90			117	56	11.83	3.4	3.00			137	48	10.11	3.2	3.20	147	45	9.47	3.2	3.40	71	93	19.71	0.4	0.85	82	81	16.99	1.3	0.95	88	75	15.84	1.3	1.05	100	66	13.84	1.3	1.20	107	62	12.98	1.3	1.25	121	54	11.45	1.3	1.35	137	48	10.15	1.3	1.45	161	41	8.63	1.2	1.60	184	36	7.55	1.1	1.45	197	33	7.04	1.1	1.50	226	29	6.15	1.1	1.70	241	27	5.76	1.1	1.75	273	24	5.09	1.1	1.95	308	21	4.51	1.0	2.00	363	18	3.83	1.0	2.30																																																																																																																																																																																																																																																																																																																																																																																																		
89	74	15.63	2.4	1.60			105	63	13.28	2.3	1.90			117	56	11.83	3.4	3.00			137	48	10.11	3.2	3.20			147	45	9.47	3.2	3.40			48	136	28.78	2.7	0.85			GR19 GRF19	4P	57	116	24.47					2.7	1.00	62					106	22.32	2.6					1.10	72	92					19.35	2.5	1.30					77	86	18.08	2.5	1.40			89	74	15.63	2.4	1.60			105	63	13.28	2.3	1.90			117	56	11.83	3.4	3.00			137	48	10.11	3.2	3.20	147	45	9.47	3.2	3.40	71	93	19.71	0.4	0.85	82	81	16.99	1.3	0.95	88	75	15.84	1.3	1.05	100	66	13.84	1.3	1.20	107	62	12.98	1.3	1.25	121	54	11.45	1.3	1.35	137	48	10.15	1.3	1.45	161	41	8.63	1.2	1.60	184	36	7.55	1.1	1.45	197	33	7.04	1.1	1.50	226	29	6.15	1.1	1.70	241	27	5.76	1.1	1.75	273	24	5.09	1.1	1.95	308	21	4.51	1.0	2.00	363	18	3.83	1.0	2.30																																																																																																																																																																																																																																																																																																																																																																																																									
105	63	13.28	2.3	1.90			117	56	11.83	3.4	3.00			137	48	10.11	3.2	3.20			147	45	9.47	3.2	3.40			48	136	28.78	2.7	0.85			GR19 GRF19	4P	57	116	24.47					2.7	1.00	62					106	22.32	2.6					1.10	72	92					19.35	2.5	1.30					77	86	18.08	2.5	1.40			89	74	15.63	2.4	1.60			105	63	13.28	2.3	1.90			117	56	11.83	3.4	3.00			137	48	10.11	3.2	3.20	147	45	9.47	3.2	3.40	71	93	19.71	0.4	0.85	82	81	16.99	1.3	0.95	88	75	15.84	1.3	1.05	100	66	13.84	1.3	1.20	107	62	12.98	1.3	1.25	121	54	11.45	1.3	1.35	137	48	10.15	1.3	1.45	161	41	8.63	1.2	1.60	184	36	7.55	1.1	1.45	197	33	7.04	1.1	1.50	226	29	6.15	1.1	1.70	241	27	5.76	1.1	1.75	273	24	5.09	1.1	1.95	308	21	4.51	1.0	2.00	363	18	3.83	1.0	2.30																																																																																																																																																																																																																																																																																																																																																																																																																
117	56	11.83	3.4	3.00			137	48	10.11	3.2	3.20			147	45	9.47	3.2	3.40			48	136	28.78	2.7	0.85			GR19 GRF19	4P	57	116	24.47					2.7	1.00	62					106	22.32	2.6					1.10	72	92					19.35	2.5	1.30					77	86	18.08	2.5	1.40			89	74	15.63	2.4	1.60			105	63	13.28	2.3	1.90			117	56	11.83	3.4	3.00			137	48	10.11	3.2	3.20	147	45	9.47	3.2	3.40	71	93	19.71	0.4	0.85	82	81	16.99	1.3	0.95	88	75	15.84	1.3	1.05	100	66	13.84	1.3	1.20	107	62	12.98	1.3	1.25	121	54	11.45	1.3	1.35	137	48	10.15	1.3	1.45	161	41	8.63	1.2	1.60	184	36	7.55	1.1	1.45	197	33	7.04	1.1	1.50	226	29	6.15	1.1	1.70	241	27	5.76	1.1	1.75	273	24	5.09	1.1	1.95	308	21	4.51	1.0	2.00	363	18	3.83	1.0	2.30																																																																																																																																																																																																																																																																																																																																																																																																																							
137	48	10.11	3.2	3.20			147	45	9.47	3.2	3.40			48	136	28.78	2.7	0.85			GR19 GRF19	4P	57	116	24.47					2.7	1.00	62					106	22.32	2.6					1.10	72	92					19.35	2.5	1.30					77	86	18.08	2.5	1.40			89	74	15.63	2.4	1.60			105	63	13.28	2.3	1.90			117	56	11.83	3.4	3.00			137	48	10.11	3.2	3.20	147	45	9.47	3.2	3.40	71	93	19.71	0.4	0.85	82	81	16.99	1.3	0.95	88	75	15.84	1.3	1.05	100	66	13.84	1.3	1.20	107	62	12.98	1.3	1.25	121	54	11.45	1.3	1.35	137	48	10.15	1.3	1.45	161	41	8.63	1.2	1.60	184	36	7.55	1.1	1.45	197	33	7.04	1.1	1.50	226	29	6.15	1.1	1.70	241	27	5.76	1.1	1.75	273	24	5.09	1.1	1.95	308	21	4.51	1.0	2.00	363	18	3.83	1.0	2.30																																																																																																																																																																																																																																																																																																																																																																																																																														
147	45	9.47	3.2	3.40			48	136	28.78	2.7	0.85			GR19 GRF19	4P	57	116	24.47					2.7	1.00	62					106	22.32	2.6					1.10	72	92					19.35	2.5	1.30					77	86	18.08	2.5	1.40			89	74	15.63	2.4	1.60			105	63	13.28	2.3	1.90			117	56	11.83	3.4	3.00			137	48	10.11	3.2	3.20	147	45	9.47	3.2	3.40	71	93	19.71	0.4	0.85	82	81	16.99	1.3	0.95	88	75	15.84	1.3	1.05	100	66	13.84	1.3	1.20	107	62	12.98	1.3	1.25	121	54	11.45	1.3	1.35	137	48	10.15	1.3	1.45	161	41	8.63	1.2	1.60	184	36	7.55	1.1	1.45	197	33	7.04	1.1	1.50	226	29	6.15	1.1	1.70	241	27	5.76	1.1	1.75	273	24	5.09	1.1	1.95	308	21	4.51	1.0	2.00	363	18	3.83	1.0	2.30																																																																																																																																																																																																																																																																																																																																																																																																																																					
48	136	28.78	2.7	0.85			GR19 GRF19	4P	57	116	24.47					2.7	1.00	62					106	22.32	2.6					1.10	72	92					19.35	2.5	1.30					77	86	18.08	2.5	1.40			89	74	15.63	2.4	1.60			105	63	13.28	2.3	1.90			117	56	11.83	3.4	3.00			137	48	10.11	3.2	3.20	147	45	9.47	3.2	3.40	71	93	19.71	0.4	0.85	82	81	16.99	1.3	0.95	88	75	15.84	1.3	1.05	100	66	13.84	1.3	1.20	107	62	12.98	1.3	1.25	121	54	11.45	1.3	1.35	137	48	10.15	1.3	1.45	161	41	8.63	1.2	1.60	184	36	7.55	1.1	1.45	197	33	7.04	1.1	1.50	226	29	6.15	1.1	1.70	241	27	5.76	1.1	1.75	273	24	5.09	1.1	1.95	308	21	4.51	1.0	2.00	363	18	3.83	1.0	2.30																																																																																																																																																																																																																																																																																																																																																																																																																																												
57	116	24.47	2.7	1.00					62	106	22.32					2.6	1.10	72					92	19.35	2.5					1.30	77	86					18.08	2.5	1.40	89	74			15.63	2.4	1.60	105	63			13.28	2.3	1.90	117	56			11.83	3.4	3.00	137	48			10.11	3.2	3.20	147	45	9.47	3.2	3.40	71	93	19.71	0.4	0.85	82	81	16.99	1.3	0.95	88	75	15.84	1.3	1.05	100	66	13.84	1.3	1.20	107	62	12.98	1.3	1.25	121	54	11.45	1.3	1.35	137	48	10.15	1.3	1.45	161	41	8.63	1.2	1.60	184	36	7.55	1.1	1.45	197	33	7.04	1.1	1.50	226	29	6.15	1.1	1.70	241	27	5.76	1.1	1.75	273	24	5.09	1.1	1.95	308	21	4.51	1.0	2.00	363	18	3.83	1.0	2.30																																																																																																																																																																																																																																																																																																																																																																																																																																																					
62	106	22.32	2.6	1.10					72	92	19.35					2.5	1.30	77					86	18.08	2.5					1.40	89	74	15.63	2.4			1.60	105	63	13.28	2.3			1.90	117	56	11.83	3.4			3.00	137	48	10.11	3.2			3.20	147	45	9.47	3.2	3.40	71	93	19.71	0.4	0.85	82	81	16.99	1.3	0.95	88	75	15.84	1.3	1.05	100	66	13.84	1.3	1.20	107	62	12.98	1.3	1.25	121	54	11.45	1.3	1.35	137	48	10.15	1.3	1.45	161	41	8.63	1.2	1.60	184	36	7.55	1.1	1.45	197	33	7.04	1.1	1.50	226	29	6.15	1.1	1.70	241	27	5.76	1.1	1.75	273	24	5.09	1.1	1.95	308	21	4.51	1.0	2.00	363	18	3.83	1.0	2.30																																																																																																																																																																																																																																																																																																																																																																																																																																																														
72	92	19.35	2.5	1.30					77	86	18.08					2.5	1.40	89					74	15.63	2.4	1.60	105			63	13.28	2.3	1.90	117			56	11.83	3.4	3.00	137			48	10.11	3.2	3.20	147			45	9.47	3.2	3.40	71	93	19.71	0.4	0.85	82	81	16.99	1.3	0.95	88	75	15.84	1.3	1.05	100	66	13.84	1.3	1.20	107	62	12.98	1.3	1.25	121	54	11.45	1.3	1.35	137	48	10.15	1.3	1.45	161	41	8.63	1.2	1.60	184	36	7.55	1.1	1.45	197	33	7.04	1.1	1.50	226	29	6.15	1.1	1.70	241	27	5.76	1.1	1.75	273	24	5.09	1.1	1.95	308	21	4.51	1.0	2.00	363	18	3.83	1.0	2.30																																																																																																																																																																																																																																																																																																																																																																																																																																																																							
77	86	18.08	2.5	1.40					89	74	15.63					2.4	1.60	105	63	13.28			2.3	1.90	117	56	11.83			3.4	3.00	137	48	10.11			3.2	3.20	147	45	9.47			3.2	3.40	71	93	19.71	0.4	0.85	82	81	16.99	1.3	0.95	88	75	15.84	1.3	1.05	100	66	13.84	1.3	1.20	107	62	12.98	1.3	1.25	121	54	11.45	1.3	1.35	137	48	10.15	1.3	1.45	161	41	8.63	1.2	1.60	184	36	7.55	1.1	1.45	197	33	7.04	1.1	1.50	226	29	6.15	1.1	1.70	241	27	5.76	1.1	1.75	273	24	5.09	1.1	1.95	308	21	4.51	1.0	2.00	363	18	3.83	1.0	2.30																																																																																																																																																																																																																																																																																																																																																																																																																																																																																
89	74	15.63	2.4	1.60					105	63	13.28	2.3	1.90			117	56	11.83	3.4	3.00			137	48	10.11	3.2	3.20			147	45	9.47	3.2	3.40			71	93	19.71	0.4	0.85	82	81	16.99	1.3	0.95	88	75	15.84	1.3	1.05	100	66	13.84	1.3	1.20	107	62	12.98	1.3	1.25	121	54	11.45	1.3	1.35	137	48	10.15	1.3	1.45	161	41	8.63	1.2	1.60	184	36	7.55	1.1	1.45	197	33	7.04	1.1	1.50	226	29	6.15	1.1	1.70	241	27	5.76	1.1	1.75	273	24	5.09	1.1	1.95	308	21	4.51	1.0	2.00	363	18	3.83	1.0	2.30																																																																																																																																																																																																																																																																																																																																																																																																																																																																																									
105	63	13.28	2.3	1.90	117	56			11.83	3.4	3.00	137	48			10.11	3.2	3.20	147	45			9.47	3.2	3.40	71	93			19.71	0.4	0.85	82	81	16.99	1.3	0.95	88	75	15.84	1.3	1.05	100	66	13.84	1.3	1.20	107	62	12.98	1.3	1.25	121	54	11.45	1.3	1.35	137	48	10.15	1.3	1.45	161	41	8.63	1.2	1.60	184	36	7.55	1.1	1.45	197	33	7.04	1.1	1.50	226	29	6.15	1.1	1.70	241	27	5.76	1.1	1.75	273	24	5.09	1.1	1.95	308	21	4.51	1.0	2.00	363	18	3.83	1.0	2.30																																																																																																																																																																																																																																																																																																																																																																																																																																																																																																		
117	56	11.83	3.4	3.00	137	48			10.11	3.2	3.20	147	45			9.47	3.2	3.40	71	93			19.71	0.4	0.85	82	81	16.99	1.3	0.95	88	75	15.84	1.3	1.05	100	66	13.84	1.3	1.20	107	62	12.98	1.3	1.25	121	54	11.45	1.3	1.35	137	48	10.15	1.3	1.45	161	41	8.63	1.2	1.60	184	36	7.55	1.1	1.45	197	33	7.04	1.1	1.50	226	29	6.15	1.1	1.70	241	27	5.76	1.1	1.75	273	24	5.09	1.1	1.95	308	21	4.51	1.0	2.00	363	18	3.83	1.0	2.30																																																																																																																																																																																																																																																																																																																																																																																																																																																																																																									
137	48	10.11	3.2	3.20	147	45			9.47	3.2	3.40	71	93			19.71	0.4	0.85	82	81	16.99	1.3	0.95	88	75	15.84	1.3	1.05	100	66	13.84	1.3	1.20	107	62	12.98	1.3	1.25	121	54	11.45	1.3	1.35	137	48	10.15	1.3	1.45	161	41	8.63	1.2	1.60	184	36	7.55	1.1	1.45	197	33	7.04	1.1	1.50	226	29	6.15	1.1	1.70	241	27	5.76	1.1	1.75	273	24	5.09	1.1	1.95	308	21	4.51	1.0	2.00	363	18	3.83	1.0	2.30																																																																																																																																																																																																																																																																																																																																																																																																																																																																																																																
147	45	9.47	3.2	3.40	71	93			19.71	0.4	0.85	82	81	16.99	1.3	0.95	88	75	15.84	1.3	1.05	100	66	13.84	1.3	1.20	107	62	12.98	1.3	1.25	121	54	11.45	1.3	1.35	137	48	10.15	1.3	1.45	161	41	8.63	1.2	1.60	184	36	7.55	1.1	1.45	197	33	7.04	1.1	1.50	226	29	6.15	1.1	1.70	241	27	5.76	1.1	1.75	273	24	5.09	1.1	1.95	308	21	4.51	1.0	2.00	363	18	3.83	1.0	2.30																																																																																																																																																																																																																																																																																																																																																																																																																																																																																																																							
71	93	19.71	0.4	0.85	82	81	16.99	1.3	0.95	88	75	15.84	1.3	1.05	100	66	13.84	1.3	1.20	107	62	12.98	1.3	1.25	121	54	11.45	1.3	1.35	137	48	10.15	1.3	1.45	161	41	8.63	1.2	1.60	184	36	7.55	1.1	1.45	197	33	7.04	1.1	1.50	226	29	6.15	1.1	1.70	241	27	5.76	1.1	1.75	273	24	5.09	1.1	1.95	308	21	4.51	1.0	2.00	363	18	3.83	1.0	2.30																																																																																																																																																																																																																																																																																																																																																																																																																																																																																																																														
82	81	16.99	1.3	0.95	88	75	15.84	1.3	1.05	100	66	13.84	1.3	1.20	107	62	12.98	1.3	1.25	121	54	11.45	1.3	1.35	137	48	10.15	1.3	1.45	161	41	8.63	1.2	1.60	184	36	7.55	1.1	1.45	197	33	7.04	1.1	1.50	226	29	6.15	1.1	1.70	241	27	5.76	1.1	1.75	273	24	5.09	1.1	1.95	308	21	4.51	1.0	2.00	363	18	3.83	1.0	2.30																																																																																																																																																																																																																																																																																																																																																																																																																																																																																																																																			
88	75	15.84	1.3	1.05	100	66	13.84	1.3	1.20	107	62	12.98	1.3	1.25	121	54	11.45	1.3	1.35	137	48	10.15	1.3	1.45	161	41	8.63	1.2	1.60	184	36	7.55	1.1	1.45	197	33	7.04	1.1	1.50	226	29	6.15	1.1	1.70	241	27	5.76	1.1	1.75	273	24	5.09	1.1	1.95	308	21	4.51	1.0	2.00	363	18	3.83	1.0	2.30																																																																																																																																																																																																																																																																																																																																																																																																																																																																																																																																								
100	66	13.84	1.3	1.20	107	62	12.98	1.3	1.25	121	54	11.45	1.3	1.35	137	48	10.15	1.3	1.45	161	41	8.63	1.2	1.60	184	36	7.55	1.1	1.45	197	33	7.04	1.1	1.50	226	29	6.15	1.1	1.70	241	27	5.76	1.1	1.75	273	24	5.09	1.1	1.95	308	21	4.51	1.0	2.00	363	18	3.83	1.0	2.30																																																																																																																																																																																																																																																																																																																																																																																																																																																																																																																																													
107	62	12.98	1.3	1.25	121	54	11.45	1.3	1.35	137	48	10.15	1.3	1.45	161	41	8.63	1.2	1.60	184	36	7.55	1.1	1.45	197	33	7.04	1.1	1.50	226	29	6.15	1.1	1.70	241	27	5.76	1.1	1.75	273	24	5.09	1.1	1.95	308	21	4.51	1.0	2.00	363	18	3.83	1.0	2.30																																																																																																																																																																																																																																																																																																																																																																																																																																																																																																																																																		
121	54	11.45	1.3	1.35	137	48	10.15	1.3	1.45	161	41	8.63	1.2	1.60	184	36	7.55	1.1	1.45	197	33	7.04	1.1	1.50	226	29	6.15	1.1	1.70	241	27	5.76	1.1	1.75	273	24	5.09	1.1	1.95	308	21	4.51	1.0	2.00	363	18	3.83	1.0	2.30																																																																																																																																																																																																																																																																																																																																																																																																																																																																																																																																																							
137	48	10.15	1.3	1.45	161	41	8.63	1.2	1.60	184	36	7.55	1.1	1.45	197	33	7.04	1.1	1.50	226	29	6.15	1.1	1.70	241	27	5.76	1.1	1.75	273	24	5.09	1.1	1.95	308	21	4.51	1.0	2.00	363	18	3.83	1.0	2.30																																																																																																																																																																																																																																																																																																																																																																																																																																																																																																																																																												
161	41	8.63	1.2	1.60	184	36	7.55	1.1	1.45	197	33	7.04	1.1	1.50	226	29	6.15	1.1	1.70	241	27	5.76	1.1	1.75	273	24	5.09	1.1	1.95	308	21	4.51	1.0	2.00	363	18	3.83	1.0	2.30																																																																																																																																																																																																																																																																																																																																																																																																																																																																																																																																																																	
184	36	7.55	1.1	1.45	197	33	7.04	1.1	1.50	226	29	6.15	1.1	1.70	241	27	5.76	1.1	1.75	273	24	5.09	1.1	1.95	308	21	4.51	1.0	2.00	363	18	3.83	1.0	2.30																																																																																																																																																																																																																																																																																																																																																																																																																																																																																																																																																																						
197	33	7.04	1.1	1.50	226	29	6.15	1.1	1.70	241	27	5.76	1.1	1.75	273	24	5.09	1.1	1.95	308	21	4.51	1.0	2.00	363	18	3.83	1.0	2.30																																																																																																																																																																																																																																																																																																																																																																																																																																																																																																																																																																											
226	29	6.15	1.1	1.70	241	27	5.76	1.1	1.75	273	24	5.09	1.1	1.95	308	21	4.51	1.0	2.00	363	18	3.83	1.0	2.30																																																																																																																																																																																																																																																																																																																																																																																																																																																																																																																																																																																
241	27	5.76	1.1	1.75	273	24	5.09	1.1	1.95	308	21	4.51	1.0	2.00	363	18	3.83	1.0	2.30																																																																																																																																																																																																																																																																																																																																																																																																																																																																																																																																																																																					
273	24	5.09	1.1	1.95	308	21	4.51	1.0	2.00	363	18	3.83	1.0	2.30																																																																																																																																																																																																																																																																																																																																																																																																																																																																																																																																																																																										
308	21	4.51	1.0	2.00	363	18	3.83	1.0	2.30																																																																																																																																																																																																																																																																																																																																																																																																																																																																																																																																																																																															
363	18	3.83	1.0	2.30																																																																																																																																																																																																																																																																																																																																																																																																																																																																																																																																																																																																				

选型参数表

(恒功率) 0.75kW-1.1kW

Selection Table

(Constant Power) 0.75kW-1.1kW

n_a [r/min]	M_a [Nm]	i	F_{Ra} [kN]	f_B	机型号 Type size	极数 Pole	n_a [r/min]	M_a [Nm]	i	F_{Ra} [kN]	f_B	机型号 Type size	极数 Pole																																																																																																																																																																																																																																																																																																																																																																																																																																																																																																																																																														
0.75kW							1.1kW																																																																																																																																																																																																																																																																																																																																																																																																																																																																																																																																																																				
247	27	11.45	1.1	2.70	GR19 GRF19	2P	0.63	14973	2211	48	0.85	GR149R79	4P																																																																																																																																																																																																																																																																																																																																																																																																																																																																																																																																																														
279	24	10.15	1.1	2.90			328	20	8.63	1.1	3.10	375		18	7.55	1.0	2.80	402	16	7.04	1.0	2.90	460	14	6.15	1.0	3.30	491	13	5.76	0.9	3.50	556	12	5.09	0.9	3.80	627	11	4.51	0.9	4.00	739	8.9	3.83	0.8	4.40	201	35	4.53	4.0	2.30	GRX69 GRXF69	6P	1.0	9420	1391	42	0.85	GR139R79 GRF139R79	4P	212	33	4.30	4.0	2.30	241	29	3.77	3.8	2.90	284	25	3.20	3.6	3.90	268	26	5.18	3.7	2.80	GRX69 GRXF69	4P	1.0	9460	1397	42	0.85	GR139R79 GRF139R79	4P	307	23	4.53	3.6	3.50	323	22	4.30	3.5	3.60	369	19	3.77	3.4	4.40	434	16	3.20	3.2	6.00	481	15	2.89	3.1	7.10	547	13	2.54	3.0	8.90	579	12	2.40	2.9	9.80	681	10	2.04	2.8	13	747	9.3	1.86	2.7	13	863	8.1	1.61	2.6	14	240	29	3.79	3.1	2.30	GRX59 GRXF59	6P	2.0	4856	717	19	0.90	GR109R79 GRF109R79	4P	256	27	3.55	3.0	2.40	290	24	3.14	2.9	2.60	313	22	2.91	2.9	2.90	345	20	2.64	2.8	3.30	320	22	4.35	2.8	3.00	GRX59 GRXF59	4P	2.3	4158	614	29	1.05	GR109R79 GRF109R79	4P	367	19	3.79	2.7	3.50	392	18	3.55	2.7	3.80	443	16	3.14	2.6	4.00	478	15	2.91	2.5	4.40	527	13	2.64	2.4	5.00	586	12	2.37	2.3	5.60	681	10	2.04	2.2	6.50	724	9.6	1.92	2.2	6.90	842	8.3	1.65	2.1	8.00	939	7.4	1.48	2.0	8.80	1103	6.3	1.26	1.9	9.30	1.1kW							2.6	3684	544	31	1.15	GR99R59 GRF99R59	4P	0.25	37476	5534	128	1.0	0.28	33277	4914	128	1.1	0.32	29756	4394	128	1.2	0.35	26749	3950	128	1.4	0.41	23221	3429	128	1.6	0.45	20980	3098	128	1.7	0.48	19734	2914	128	1.9	0.52	18162	2682	128	2.0	0.61	15535	2294	128	2.4	0.65	14614	2158	128	2.5	0.76	12501	1846	128	2.9	0.53	17993	2657	114	1.00	GR179R99 GRF179R99	4P	3.2	2919	431	20	1.05	GR89R59 GRF89R59	4P	0.60	15799	2333	114	1.15	0.67	14120	2085	114	1.30	0.75	12711	1877	114	1.40	0.84	11309	1670	114	1.60	0.97	9738	1438	114	1.85	1.1	8661	1279	114	2.05	1.2	7605	1123	114	2.35	5.4	1740	257	15	0.90	GR99 GRF99	6P	6.0	1578	233	16	1.00	7.1	1327	196	17	1.15	2.7	3632	251.15	30	1.10	GR109 GRF109	8P	3.0	3326	229.95	31	1.20	3.4	2938	203.16	33	1.35	4.0	2493	172.34	34	1.60	3.6	2804	255.71	20	1.05	GR99 GRF99	4P	3.8	2646	241.25	21	1.10	4.2	2372	216.28	23	1.20	4.9	2043	186.30	25	1.40	5.5	1823	255.71	25	1.55	5.8	1720	241.25	26	1.65	6.5	1542	216.28	26	1.85	7.5	1328	186.30	26	2.20	8.2	1212	170.02	27	2.30	9.3	1075	150.78	27	2.70	11	904	126.75	27	3.20	12	830	116.48	27	3.40																																																																																													
328	20	8.63	1.1	3.10			375	18	7.55	1.0	2.80	402		16	7.04	1.0	2.90	460	14	6.15	1.0	3.30	491	13	5.76	0.9	3.50	556	12	5.09	0.9	3.80	627	11	4.51	0.9	4.00	739	8.9	3.83	0.8	4.40	201	35	4.53	4.0	2.30	GRX69 GRXF69	6P	1.0	9420	1391			42	0.85	GR139R79 GRF139R79	4P	212			33	4.30	4.0	2.30	241	29	3.77	3.8	2.90	284	25	3.20	3.6	3.90	268	26	5.18	3.7	2.80	GRX69 GRXF69			4P	1.0	9460	1397	42			0.85	GR139R79 GRF139R79	4P	307	23	4.53	3.6	3.50	323	22	4.30	3.5	3.60	369	19	3.77	3.4	4.40	434	16	3.20	3.2	6.00	481	15	2.89	3.1	7.10	547	13	2.54	3.0	8.90	579	12	2.40	2.9	9.80	681	10	2.04	2.8	13	747	9.3	1.86	2.7	13	863	8.1	1.61	2.6	14	240	29			3.79	3.1	2.30	GRX59 GRXF59	6P	2.0	4856	717	19	0.90	GR109R79 GRF109R79	4P	256	27	3.55	3.0	2.40	290	24	3.14	2.9	2.60	313	22	2.91	2.9	2.90	345	20	2.64	2.8	3.30			320	22	4.35	2.8	3.00			GRX59 GRXF59	4P	2.3	4158	614	29	1.05	GR109R79 GRF109R79	4P	367	19	3.79	2.7	3.50	392	18	3.55	2.7	3.80	443	16	3.14	2.6	4.00	478	15	2.91	2.5	4.40	527	13	2.64	2.4	5.00	586	12	2.37	2.3	5.60	681	10	2.04	2.2	6.50	724	9.6	1.92	2.2	6.90	842	8.3	1.65	2.1	8.00	939	7.4	1.48	2.0	8.80	1103	6.3	1.26	1.9	9.30	1.1kW							2.6	3684	544	31	1.15	GR99R59 GRF99R59	4P	0.25	37476	5534	128	1.0	0.28	33277	4914	128	1.1	0.32	29756	4394	128	1.2	0.35	26749	3950	128	1.4	0.41	23221	3429	128	1.6	0.45	20980	3098	128	1.7	0.48	19734	2914	128	1.9	0.52	18162	2682	128	2.0	0.61	15535	2294	128	2.4	0.65	14614	2158	128	2.5	0.76			12501	1846	128	2.9	0.53			17993	2657	114	1.00	GR179R99 GRF179R99	4P	3.2	2919	431	20	1.05	GR89R59 GRF89R59	4P	0.60	15799	2333	114	1.15	0.67	14120	2085	114	1.30	0.75	12711	1877	114	1.40	0.84	11309	1670	114	1.60	0.97	9738	1438	114	1.85	1.1	8661			1279	114	2.05	1.2	7605	1123	114	2.35	5.4	1740	257	15	0.90	GR99 GRF99	6P			6.0	1578	233	16	1.00	7.1	1327	196	17	1.15	2.7	3632	251.15	30	1.10	GR109 GRF109	8P	3.0	3326	229.95			31	1.20	3.4	2938	203.16	33	1.35	4.0	2493	172.34	34	1.60	3.6	2804	255.71	20	1.05	GR99 GRF99	4P	3.8	2646	241.25	21	1.10	4.2	2372	216.28	23	1.20	4.9	2043	186.30	25	1.40	5.5	1823	255.71	25	1.55	5.8	1720	241.25	26	1.65	6.5	1542	216.28	26	1.85	7.5	1328	186.30	26	2.20	8.2	1212	170.02	27	2.30	9.3	1075	150.78	27	2.70	11	904	126.75	27	3.20	12	830	116.48	27	3.40																																																																										
375	18	7.55	1.0	2.80			402	16	7.04	1.0	2.90	460	14	6.15	1.0	3.30	491	13	5.76	0.9	3.50	556	12	5.09	0.9	3.80	627	11	4.51	0.9	4.00	739	8.9	3.83	0.8	4.40	201	35	4.53	4.0	2.30	GRX69 GRXF69	6P	1.0	9420	1391	42			0.85	GR139R79 GRF139R79	4P			212	33			4.30			4.0	2.30	241	29	3.77	3.8	2.90	284	25	3.20	3.6	3.90	268	26	5.18	3.7	2.80	GRX69 GRXF69	4P					1.0	9460	1397	42			0.85			GR139R79 GRF139R79	4P	307	23	4.53	3.6	3.50	323	22	4.30	3.5	3.60	369	19	3.77	3.4	4.40	434	16	3.20	3.2	6.00	481	15	2.89	3.1	7.10	547	13	2.54	3.0	8.90	579	12	2.40	2.9	9.80	681	10	2.04	2.8	13	747	9.3	1.86	2.7	13	863	8.1	1.61	2.6	14			240	29	3.79			3.1	2.30	GRX59 GRXF59	6P	2.0	4856	717	19	0.90	GR109R79 GRF109R79	4P	256	27	3.55	3.0	2.40	290	24	3.14	2.9	2.60	313	22	2.91	2.9	2.90	345			20	2.64	2.8	3.30	320					22	4.35	2.8	3.00	GRX59 GRXF59			4P	2.3	4158	614	29	1.05	GR109R79 GRF109R79	4P	367	19	3.79	2.7	3.50	392	18	3.55	2.7	3.80	443	16	3.14	2.6	4.00	478	15	2.91	2.5	4.40	527	13	2.64	2.4	5.00	586	12	2.37	2.3	5.60	681	10	2.04	2.2	6.50	724	9.6	1.92	2.2	6.90	842	8.3	1.65	2.1	8.00	939	7.4	1.48	2.0	8.80			1103	6.3	1.26	1.9	9.30	1.1kW							2.6	3684	544	31	1.15	GR99R59 GRF99R59	4P	0.25	37476	5534	128	1.0	0.28	33277	4914	128	1.1	0.32	29756	4394	128	1.2	0.35	26749	3950	128	1.4	0.41	23221	3429	128	1.6	0.45	20980	3098	128	1.7	0.48	19734	2914	128	1.9	0.52	18162	2682	128	2.0	0.61			15535	2294	128	2.4	0.65			14614	2158	128	2.5			0.76	12501	1846	128	2.9			0.53	17993	2657	114	1.00	GR179R99 GRF179R99	4P	3.2	2919	431	20	1.05	GR89R59 GRF89R59	4P	0.60	15799	2333	114	1.15	0.67	14120	2085	114	1.30	0.75	12711	1877			114	1.40	0.84	11309	1670	114	1.60	0.97	9738	1438	114	1.85	1.1					8661	1279	114	2.05	1.2	7605	1123	114	2.35	5.4	1740	257	15	0.90	GR99 GRF99			6P	6.0	1578			233	16	1.00	7.1	1327	196	17	1.15	2.7	3632	251.15	30	1.10	GR109 GRF109	8P	3.0	3326			229.95	31	1.20	3.4	2938	203.16	33	1.35	4.0	2493	172.34	34	1.60	3.6	2804	255.71	20	1.05	GR99 GRF99	4P	3.8	2646	241.25	21	1.10	4.2	2372	216.28	23	1.20	4.9	2043	186.30	25	1.40	5.5	1823	255.71	25	1.55	5.8	1720	241.25	26	1.65	6.5	1542	216.28	26	1.85	7.5	1328	186.30	26	2.20	8.2	1212	170.02	27	2.30	9.3	1075	150.78	27	2.70	11	904	126.75	27	3.20	12	830	116.48	27	3.40																																																						
402	16	7.04	1.0	2.90			460	14	6.15	1.0	3.30	491	13	5.76	0.9	3.50	556	12	5.09	0.9	3.80	627	11	4.51	0.9	4.00	739	8.9	3.83	0.8	4.40	201	35	4.53	4.0	2.30	GRX69 GRXF69	6P	1.0	9420	1391			42	0.85	GR139R79 GRF139R79	4P			212					33	4.30			4.0			2.30	241	29	3.77	3.8	2.90	284	25	3.20	3.6	3.90	268	26	5.18	3.7	2.80	GRX69 GRXF69							4P	1.0	9460	1397			42					0.85	GR139R79 GRF139R79	4P	307	23	4.53	3.6	3.50	323	22	4.30	3.5	3.60	369	19	3.77	3.4	4.40	434	16	3.20	3.2	6.00	481	15	2.89	3.1	7.10	547	13	2.54	3.0	8.90	579	12	2.40	2.9	9.80	681	10	2.04	2.8	13	747	9.3	1.86	2.7	13	863	8.1			1.61	2.6	14			240	29			3.79	3.1	2.30	GRX59 GRXF59	6P	2.0	4856	717	19	0.90	GR109R79 GRF109R79	4P	256	27	3.55	3.0	2.40	290	24	3.14	2.9	2.60	313			22	2.91	2.9	2.90	345					20	2.64	2.8	3.30					320	22	4.35	2.8	3.00			GRX59 GRXF59	4P	2.3	4158	614	29	1.05	GR109R79 GRF109R79	4P	367	19	3.79	2.7	3.50	392	18	3.55	2.7	3.80	443	16	3.14	2.6	4.00	478	15	2.91	2.5	4.40	527	13	2.64	2.4	5.00	586	12	2.37	2.3	5.60	681	10	2.04	2.2	6.50	724	9.6	1.92	2.2	6.90	842			8.3	1.65	2.1	8.00	939	7.4	1.48			2.0	8.80	1103	6.3	1.26	1.9	9.30	1.1kW							2.6	3684	544	31	1.15	GR99R59 GRF99R59	4P	0.25	37476	5534	128	1.0	0.28	33277	4914	128	1.1	0.32	29756	4394	128	1.2	0.35	26749	3950	128	1.4	0.41	23221	3429	128	1.6	0.45	20980	3098	128	1.7			0.48	19734	2914	128	1.9			0.52	18162	2682	128			2.0	0.61	15535	2294	128			2.4	0.65	14614	2158	128			2.5	0.76	12501	1846	128			2.9	0.53	17993	2657	114	1.00	GR179R99 GRF179R99	4P	3.2	2919	431	20	1.05			GR89R59 GRF89R59	4P	0.60	15799	2333	114	1.15	0.67	14120	2085	114	1.30	0.75					12711	1877	114	1.40	0.84	11309	1670	114	1.60	0.97	9738	1438	114	1.85					1.1	8661			1279	114	2.05	1.2	7605	1123	114	2.35	5.4	1740	257	15	0.90			GR99 GRF99	6P			6.0	1578	233	16	1.00	7.1	1327	196	17	1.15	2.7	3632	251.15	30	1.10	GR109 GRF109	8P	3.0			3326	229.95	31	1.20	3.4	2938	203.16	33	1.35	4.0	2493	172.34	34	1.60	3.6	2804	255.71	20	1.05	GR99 GRF99	4P	3.8	2646	241.25	21	1.10	4.2	2372	216.28	23	1.20	4.9	2043	186.30	25	1.40	5.5	1823	255.71	25	1.55	5.8	1720	241.25	26	1.65	6.5	1542	216.28	26	1.85	7.5	1328	186.30	26	2.20	8.2	1212	170.02	27	2.30	9.3	1075	150.78	27	2.70	11	904	126.75	27	3.20	12	830	116.48	27	3.40																																	
460	14	6.15	1.0	3.30			491	13	5.76	0.9	3.50	556	12	5.09	0.9	3.80	627	11	4.51	0.9	4.00	739	8.9	3.83	0.8	4.40	201	35	4.53	4.0	2.30	GRX69 GRXF69	6P	1.0	9420	1391			42	0.85	GR139R79 GRF139R79			4P	212					33			4.30	4.0	2.30	241			29	3.77	3.8	2.90	284	25	3.20	3.6	3.90	268	26	5.18	3.7	2.80	GRX69 GRXF69	4P	1.0	9460	1397									42	0.85	GR139R79 GRF139R79			4P					307			23	4.53	3.6	3.50	323	22	4.30	3.5	3.60	369	19	3.77	3.4	4.40	434	16	3.20	3.2	6.00	481	15	2.89	3.1	7.10	547	13	2.54	3.0	8.90	579	12	2.40	2.9	9.80	681	10	2.04	2.8	13	747	9.3	1.86	2.7	13	863	8.1	1.61			2.6	14	240			29	3.79			3.1	2.30	GRX59 GRXF59			6P	2.0	4856	717	19	0.90	GR109R79 GRF109R79	4P	256	27	3.55	3.0	2.40	290	24	3.14	2.9	2.60			313	22	2.91	2.9	2.90					345	20	2.64	2.8					3.30	320	22	4.35	2.8					3.00	GRX59 GRXF59	4P	2.3	4158			614	29	1.05	GR109R79 GRF109R79	4P	367	19	3.79	2.7	3.50	392	18	3.55	2.7	3.80	443	16	3.14	2.6	4.00	478	15	2.91	2.5	4.40	527	13	2.64	2.4	5.00	586	12	2.37	2.3	5.60	681	10	2.04	2.2	6.50	724			9.6	1.92	2.2	6.90	842	8.3	1.65			2.1	8.00	939	7.4	1.48	2.0	8.80	1103			6.3	1.26	1.9	9.30	1.1kW							2.6	3684	544	31	1.15	GR99R59 GRF99R59	4P	0.25	37476	5534	128	1.0	0.28	33277	4914	128	1.1	0.32	29756	4394	128	1.2	0.35	26749	3950	128	1.4	0.41	23221	3429			128	1.6	0.45	20980	3098			128	1.7	0.48	19734			2914	128	1.9	0.52	18162			2682	128	2.0	0.61	15535			2294	128	2.4	0.65	14614			2158	128	2.5	0.76	12501	1846			128	2.9	0.53	17993	2657					114	1.00	GR179R99 GRF179R99	4P	3.2	2919	431	20	1.05	GR89R59 GRF89R59	4P			0.60	15799	2333	114	1.15	0.67	14120	2085	114	1.30	0.75	12711	1877	114	1.40	0.84					11309	1670			114	1.60	0.97	9738	1438	114	1.85	1.1	8661	1279	114	2.05	1.2							7605	1123	114	2.35	5.4	1740	257	15	0.90	GR99 GRF99	6P	6.0	1578	233	16			1.00			7.1	1327	196	17	1.15	2.7	3632	251.15	30	1.10	GR109 GRF109	8P	3.0	3326	229.95	31	1.20	3.4	2938			203.16	33	1.35	4.0	2493	172.34	34	1.60	3.6	2804	255.71	20	1.05	GR99 GRF99	4P	3.8	2646	241.25	21	1.10	4.2	2372	216.28	23	1.20	4.9	2043	186.30	25	1.40	5.5	1823	255.71	25	1.55	5.8	1720	241.25	26	1.65	6.5	1542	216.28	26	1.85	7.5	1328	186.30	26	2.20	8.2	1212	170.02	27	2.30	9.3	1075	150.78	27	2.70	11	904	126.75	27	3.20	12	830	116.48	27	3.40																		
491	13	5.76	0.9	3.50			556	12	5.09	0.9	3.80	627	11	4.51	0.9	4.00	739	8.9	3.83	0.8	4.40	201	35	4.53	4.0	2.30	GRX69 GRXF69	6P	1.0	9420	1391			42	0.85	GR139R79 GRF139R79			4P	212					33			4.30	4.0	2.30			241	29	3.77	3.8	2.90	284	25	3.20	3.6	3.90	268	26	5.18	3.7	2.80	GRX69 GRXF69	4P	1.0	9460	1397			42	0.85	GR139R79 GRF139R79									4P	307									23			4.53	3.6	3.50	323	22	4.30	3.5	3.60	369	19	3.77	3.4	4.40	434	16	3.20	3.2	6.00	481	15	2.89	3.1	7.10	547	13	2.54	3.0	8.90	579	12	2.40	2.9	9.80	681	10	2.04	2.8	13	747	9.3	1.86	2.7	13	863	8.1	1.61	2.6	14	240	29	3.79	3.1			2.30	GRX59 GRXF59			6P	2.0					4856	717	19	0.90	GR109R79 GRF109R79	4P	256	27	3.55	3.0	2.40	290	24	3.14	2.9	2.60	313			22	2.91	2.9	2.90	345					20	2.64	2.8	3.30					320	22	4.35	2.8	3.00					GRX59 GRXF59			4P	2.3			4158	614	29			1.05	GR109R79 GRF109R79	4P	367	19	3.79	2.7	3.50	392	18	3.55	2.7	3.80	443	16	3.14	2.6	4.00	478	15	2.91	2.5	4.40	527	13	2.64	2.4	5.00	586	12	2.37	2.3	5.60	681	10	2.04			2.2	6.50	724	9.6	1.92	2.2	6.90			842	8.3	1.65	2.1	8.00	939	7.4	1.48			2.0	8.80	1103	6.3	1.26	1.9	9.30	1.1kW							2.6	3684			544	31	1.15	GR99R59 GRF99R59	4P	0.25	37476	5534	128	1.0	0.28	33277	4914	128	1.1	0.32	29756	4394	128	1.2	0.35	26749	3950			128	1.4	0.41	23221	3429			128	1.6	0.45	20980			3098	128	1.7	0.48	19734			2914	128	1.9	0.52	18162			2682	128	2.0	0.61	15535			2294	128	2.4	0.65	14614	2158			128	2.5	0.76	12501	1846					128	2.9			0.53	17993	2657	114	1.00					GR179R99 GRF179R99	4P	3.2	2919	431	20	1.05	GR89R59 GRF89R59	4P	0.60	15799	2333	114	1.15	0.67	14120		2085	114		1.30	0.75			12711	1877	114	1.40	0.84	11309	1670	114	1.60	0.97	9738	1438	114							1.85	1.1	8661	1279	114	2.05	1.2	7605	1123			114	2.35	5.4	1740			257			15	0.90	GR99 GRF99	6P	6.0	1578	233	16	1.00	7.1			1327	196	17	1.15	2.7	3632	251.15			30	1.10	GR109 GRF109	8P	3.0	3326	229.95	31	1.20	3.4	2938	203.16	33			1.35	4.0	2493	172.34	34	1.60	3.6	2804	255.71	20	1.05	GR99 GRF99	4P	3.8	2646	241.25	21	1.10	4.2	2372	216.28	23	1.20	4.9	2043	186.30	25	1.40	5.5	1823	255.71	25	1.55	5.8	1720	241.25	26	1.65	6.5	1542	216.28	26	1.85	7.5	1328	186.30	26	2.20	8.2	1212	170.02	27	2.30	9.3	1075	150.78	27	2.70	11	904	126.75	27	3.20	12	830	116.48	27	3.40					
556	12	5.09	0.9	3.80			627	11	4.51	0.9	4.00	739	8.9	3.83	0.8	4.40	201	35	4.53	4.0	2.30	GRX69 GRXF69	6P	1.0	9420	1391			42	0.85	GR139R79 GRF139R79			4P	212					33		4.30	4.0		2.30			241	29	3.77	3.8	2.90	284	25	3.20	3.6	3.90	268	26	5.18	3.7	2.80	GRX69 GRXF69	4P	1.0	9460	1397			42	0.85	GR139R79 GRF139R79			4P	307											23									4.53			3.6	3.50	323	22	4.30	3.5	3.60	369	19	3.77	3.4	4.40	434	16	3.20	3.2	6.00	481	15	2.89	3.1	7.10	547	13	2.54	3.0	8.90	579	12	2.40	2.9	9.80	681	10	2.04	2.8	13	747	9.3	1.86	2.7	13	863	8.1	1.61	2.6	14	240	29	3.79	3.1	2.30	GRX59 GRXF59	6P	2.0					4856					717	19	0.90	GR109R79 GRF109R79	4P	256	27	3.55	3.0	2.40	290	24	3.14	2.9	2.60	313	22			2.91	2.9	2.90	345	20					2.64	2.8	3.30	320					22	4.35	2.8	3.00	GRX59 GRXF59									4P			2.3	4158	614			29			1.05	GR109R79 GRF109R79	4P	367	19	3.79	2.7	3.50	392	18	3.55	2.7	3.80	443	16	3.14	2.6	4.00	478	15	2.91	2.5	4.40	527	13	2.64	2.4	5.00	586	12	2.37	2.3	5.60			681	10	2.04	2.2	6.50	724	9.6			1.92	2.2	6.90	842	8.3	1.65	2.1	8.00			939	7.4	1.48	2.0	8.80	1103	6.3	1.26	1.9			9.30	1.1kW							2.6	3684			544	31	1.15	GR99R59 GRF99R59	4P	0.25	37476	5534	128	1.0	0.28	33277	4914	128	1.1	0.32	29756	4394			128	1.2	0.35	26749	3950			128	1.4	0.41	23221			3429	128	1.6	0.45	20980			3098	128	1.7	0.48	19734			2914	128	1.9	0.52	18162			2682	128	2.0	0.61	15535	2294			128	2.4	0.65	14614	2158					128	2.5			0.76	12501	1846	128	2.9							0.53	17993	2657	114	1.00			GR179R99 GRF179R99	4P	3.2	2919	431	20	1.05		GR89R59 GRF89R59	4P		0.60	15799	2333	114	1.15	0.67	14120	2085	114	1.30	0.75	12711	1877	114	1.40	0.84	11309	1670	114					1.60	0.97	9738	1438	114	1.85	1.1	8661	1279			114	2.05	1.2	7605			1123			114	2.35			5.4	1740	257	15	0.90	GR99 GRF99			6P	6.0	1578	233	16	1.00	7.1			1327	196			17	1.15	2.7	3632	251.15	30	1.10	GR109 GRF109	8P			3.0	3326	229.95	31	1.20	3.4	2938	203.16	33	1.35	4.0			2493	172.34	34	1.60	3.6	2804	255.71	20	1.05	GR99 GRF99	4P	3.8	2646	241.25	21	1.10	4.2	2372	216.28	23	1.20	4.9	2043	186.30	25	1.40	5.5	1823	255.71	25	1.55	5.8	1720	241.25	26	1.65	6.5	1542	216.28	26	1.85	7.5	1328	186.30	26	2.20	8.2	1212	170.02	27	2.30	9.3	1075	150.78	27	2.70	11	904	126.75	27
627	11	4.51	0.9	4.00			739	8.9	3.83	0.8	4.40	201	35	4.53	4.0	2.30	GRX69 GRXF69	6P	1.0	9420	1391			42	0.85	GR139R79 GRF139R79			4P	212					33		4.30	4.0		2.30		241	29		3.77	3.8	2.90	284	25	3.20	3.6	3.90	268	26	5.18	3.7	2.80	GRX69 GRXF69	4P	1.0	9460	1397			42	0.85	GR139R79 GRF139R79			4P	307					23											4.53									3.6			3.50	323	22	4.30	3.5	3.60	369	19	3.77	3.4	4.40	434	16	3.20	3.2	6.00	481	15	2.89	3.1	7.10	547	13	2.54	3.0	8.90	579	12	2.40	2.9	9.80	681	10	2.04	2.8	13	747	9.3	1.86	2.7	13	863	8.1	1.61	2.6	14	240	29	3.79	3.1	2.30	GRX59 GRXF59			6P		2.0	4856		717					19	0.90	GR109R79 GRF109R79	4P	256	27	3.55	3.0	2.40	290	24	3.14	2.9	2.60	313	22	2.91			2.9	2.90	345	20	2.64	2.8	3.30			320	22	4.35	2.8					3.00	GRX59 GRXF59	4P	2.3													4158	614	29			1.05			GR109R79 GRF109R79			4P	367	19	3.79	2.7	3.50	392	18	3.55	2.7	3.80	443	16	3.14	2.6	4.00	478	15	2.91	2.5	4.40	527	13	2.64	2.4	5.00	586	12	2.37	2.3	5.60	681	10	2.04	2.2	6.50	724	9.6	1.92			2.2	6.90	842	8.3	1.65	2.1	8.00	939			7.4	1.48	2.0	8.80	1103	6.3	1.26	1.9	9.30			1.1kW							2.6	3684	544			31	1.15	GR99R59 GRF99R59			4P	0.25	37476	5534	128	1.0	0.28	33277	4914	128	1.1	0.32	29756			4394	128	1.2	0.35	26749	3950	128	1.4	0.41	23221	3429			128	1.6	0.45	20980	3098			128	1.7	0.48	19734	2914			128	1.9	0.52	18162	2682			128	2.0	0.61	15535	2294	128			2.4	0.65	14614	2158	128					2.5	0.76			12501	1846	128	2.9	0.53							17993	2657	114	1.00	GR179R99 GRF179R99					4P	3.2	2919	431	20					1.05	GR89R59 GRF89R59	4P	0.60	15799	2333	114	1.15	0.67	14120	2085	114	1.30	0.75	12711	1877	114	1.40	0.84			11309	1670	114	1.60	0.97	9738	1438	114	1.85	1.1	8661			1279	114	2.05	1.2	7605	1123	114			2.35	5.4			1740	257	15	0.90	GR99 GRF99					6P	6.0	1578	233	16	1.00			7.1	1327			196	17	1.15	2.7	3632	251.15	30					1.10	GR109 GRF109	8P	3.0	3326	229.95	31	1.20	3.4	2938	203.16			33	1.35	4.0	2493	172.34	34	1.60	3.6	2804			255.71	20	1.05	GR99 GRF99	4P	3.8	2646	241.25	21	1.10	4.2	2372	216.28	23	1.20	4.9	2043	186.30	25	1.40	5.5	1823	255.71	25	1.55	5.8	1720	241.25	26	1.65	6.5	1542	216.28	26	1.85	7.5	1328	186.30	26	2.20	8.2	1212	170.02	27	2.30	9.3	1075	150.78	27
739	8.9	3.83	0.8	4.40			201	35	4.53	4.0	2.30	GRX69 GRXF69	6P	1.0	9420	1391			42	0.85	GR139R79 GRF139R79			4P	212					33		4.30	4.0		2.30		241	29		3.77	3.8	2.90	284	25	3.20	3.6	3.90	268	26	5.18	3.7	2.80	GRX69 GRXF69	4P	1.0	9460	1397			42	0.85	GR139R79 GRF139R79			4P	307					23					4.53											3.6									3.50			323	22	4.30	3.5	3.60	369	19	3.77	3.4	4.40	434	16	3.20	3.2	6.00	481	15	2.89	3.1	7.10	547	13	2.54	3.0	8.90	579	12	2.40	2.9	9.80	681	10	2.04	2.8	13	747	9.3	1.86	2.7	13	863	8.1	1.61	2.6	14	240	29	3.79	3.1	2.30	GRX59 GRXF59						6P	2.0		4856		717	19		0.90	GR109R79 GRF109R79	4P	256	27	3.55	3.0	2.40	290	24	3.14	2.9	2.60	313	22	2.91	2.9			2.90	345	20	2.64	2.8	3.30	320			22	4.35	2.8	3.00		GRX59 GRXF59	4P		2.3			4158													614	29	1.05			GR109R79 GRF109R79							4P	367	19	3.79	2.7	3.50	392	18	3.55	2.7	3.80	443	16	3.14	2.6	4.00	478	15	2.91	2.5	4.40	527	13	2.64	2.4	5.00	586	12	2.37	2.3	5.60	681	10	2.04	2.2	6.50	724	9.6	1.92	2.2	6.90	842	8.3	1.65	2.1	8.00	939	7.4			1.48	2.0	8.80	1103	6.3	1.26	1.9	9.30	1.1kW							2.6			3684	544	31			1.15	GR99R59 GRF99R59					4P	0.25	37476	5534	128	1.0	0.28	33277	4914	128	1.1	0.32			29756	4394	128	1.2	0.35	26749	3950	128	1.4	0.41	23221			3429	128	1.6	0.45	20980	3098	128	1.7	0.48	19734	2914	128			1.9	0.52	18162	2682	128			2.0	0.61	15535	2294	128	2.4			0.65	14614	2158	128	2.5					0.76	12501			1846	128	2.9	0.53	17993							2657	114	1.00	GR179R99 GRF179R99							4P	3.2	2919	431					20			1.05	GR89R59 GRF89R59	4P	0.60	15799	2333	114	1.15	0.67	14120	2085	114	1.30	0.75	12711	1877			114	1.40	0.84	11309	1670	114	1.60	0.97	9738	1438	114			1.85	1.1	8661	1279	114	2.05	1.2	7605	1123	114	2.35			5.4	1740	257	15			0.90	GR99 GRF99			6P	6.0	1578	233	16			1.00	7.1			1327	196	17	1.15	2.7	3632	251.15					30			1.10	GR109 GRF109	8P	3.0	3326	229.95	31	1.20			3.4	2938	203.16	33	1.35	4.0	2493	172.34	34			1.60	3.6	2804			255.71	20	1.05	GR99 GRF99	4P	3.8	2646	241.25	21	1.10	4.2	2372	216.28	23	1.20	4.9	2043	186.30	25	1.40	5.5	1823	255.71	25	1.55	5.8	1720	241.25	26	1.65	6.5	1542	216.28	26	1.85	7.5	1328	186.30	26	2.20	8.2	1212	170.02	27
201	35	4.53	4.0	2.30	GRX69 GRXF69	6P	1.0	9420	1391	42	0.85			GR139R79 GRF139R79	4P																																																																																																																																																																																																																																																																																																																																																																																																																																																																																																																																																												
212	33	4.30	4.0	2.30			241	29	3.77	3.8	2.90					284			25	3.20		3.6	3.90		268		26	5.18		3.7	2.80	GRX69 GRXF69	4P	1.0	9460	1397	42	0.85	GR139R79 GRF139R79	4P	307	23	4.53	3.6	3.50	323	22	4.30	3.5	3.60	369	19			3.77	3.4	4.40			434	16					3.20					3.2					6.00						481	15				2.89		3.1	7.10						547			13	2.54	3.0	8.90	579	12	2.40	2.9	9.80	681	10	2.04	2.8	13	747	9.3	1.86	2.7	13	863	8.1	1.61	2.6	14	240	29	3.79	3.1	2.30	GRX59 GRXF59	6P	2.0	4856	717	19	0.90	GR109R79 GRF109R79	4P	256	27	3.55	3.0	2.40	290	24	3.14	2.9	2.60	313	22						2.91		2.9	2.90	345	20	2.64	2.8	3.30	320	22	4.35	2.8	3.00	GRX59 GRXF59	4P	2.3	4158	614	29	1.05	GR109R79 GRF109R79	4P	367	19	3.79			2.7	3.50	392	18	3.55	2.7	3.80			443	16	3.14	2.6					4.00			478		15	2.91								2.5	4.40	527	13	2.64											2.4	5.00	586	12	2.37	2.3	5.60	681	10	2.04	2.2	6.50	724	9.6	1.92	2.2	6.90	842	8.3	1.65	2.1	8.00	939	7.4	1.48	2.0	8.80	1103	6.3	1.26	1.9	9.30	1.1kW							2.6	3684	544	31	1.15	GR99R59 GRF99R59	4P	0.25	37476	5534	128	1.0	0.28	33277	4914	128	1.1	0.32	29756	4394	128	1.2	0.35	26749	3950	128			1.4	0.41	23221			3429							128	1.6	0.45	20980	3098	128	1.7	0.48	19734	2914	128	1.9	0.52	18162	2682	128	2.0	0.61	15535	2294	128	2.4	0.65	14614			2158	128	2.5	0.76	12501	1846	128	2.9	0.53	17993	2657	114			1.00	GR179R99 GRF179R99	4P	3.2	2919	431	20	1.05	GR89R59 GRF89R59	4P	0.60	15799	2333			114	1.15	0.67	14120	2085	114	1.30	0.75	12711	1877	114			1.40	0.84	11309	1670	114							1.60	0.97	9738									1438	114	1.85					1.1			8661			1279	114	2.05	1.2	7605	1123	114	2.35	5.4	1740	257	15	0.90			GR99 GRF99	6P	6.0	1578	233	16	1.00	7.1	1327	196	17			1.15	2.7	3632	251.15	30	1.10	GR109 GRF109	8P	3.0	3326	229.95			31	1.20	3.4	2938			203.16					33	1.35	4.0	2493	172.34	34	1.60	3.6	2804	255.71	20	1.05	GR99 GRF99	4P	3.8	2646	241.25	21	1.10	4.2	2372	216.28			23			1.20	4.9	2043	186.30	25			1.40	5.5	1823	255.71	25	1.55	5.8	1720	241.25			26	1.65	6.5			1542	216.28	26			1.85	7.5	1328	186.30	26	2.20	8.2	1212	170.02	27	2.30	9.3	1075	150.78	27	2.70	11	904	126.75	27	3.20	12	830	116.48	27	3.40													
241	29	3.77	3.8	2.90			284	25	3.20	3.6	3.90					268	26	5.18	3.7	2.80		GRX69 GRXF69	4P		1.0	9460	1397	42	0.85	GR139R79 GRF139R79	4P			307	23	4.53	3.6	3.50			323	22	4.30	3.5	3.60	369	19	3.77	3.4	4.40	434	16			3.20	3.2	6.00			481	15					2.89					3.1					7.10					547	13	2.54	3.0			8.90		579	12		2.40	2.9			9.80			681	10	2.04	2.8	13	747	9.3	1.86	2.7	13	863	8.1	1.61	2.6	14	240	29	3.79	3.1	2.30	GRX59 GRXF59	6P	2.0	4856	717	19	0.90	GR109R79 GRF109R79	4P			256	27	3.55	3.0	2.40	290	24	3.14	2.9	2.60	313	22	2.91	2.9	2.90	345	20	2.64	2.8			3.30	320		22		4.35	2.8	3.00	GRX59 GRXF59	4P	2.3	4158	614	29	1.05	GR109R79 GRF109R79	4P			367	19	3.79	2.7	3.50			392	18	3.55			2.7	3.80	443	16	3.14	2.6	4.00			478	15	2.91	2.5					4.40			527		13	2.64								2.4	5.00	586	12	2.37	2.3	5.60									681	10	2.04	2.2	6.50	724	9.6	1.92	2.2	6.90	842	8.3	1.65	2.1	8.00	939	7.4	1.48	2.0	8.80	1103	6.3	1.26	1.9	9.30	1.1kW							2.6	3684	544	31	1.15	GR99R59 GRF99R59	4P	0.25	37476	5534	128	1.0			0.28	33277	4914	128	1.1	0.32	29756	4394	128	1.2	0.35	26749	3950	128	1.4	0.41	23221	3429	128	1.6	0.45	20980	3098	128			1.7							0.48	19734	2914	128	1.9	0.52	18162	2682	128	2.0	0.61	15535	2294	128	2.4	0.65	14614	2158	128	2.5	0.76	12501	1846	128	2.9	0.53	17993	2657	114	1.00	GR179R99 GRF179R99	4P	3.2	2919	431	20	1.05	GR89R59 GRF89R59			4P			0.60	15799	2333	114	1.15			0.67	14120	2085			114	1.30	0.75	12711	1877	114	1.40	0.84	11309	1670	114			1.60	0.97	9738	1438	114	1.85	1.1	8661	1279			114	2.05	1.2									7605	1123	114					2.35			5.4			1740	257	15	0.90	GR99 GRF99	6P	6.0	1578	233	16	1.00	7.1	1327					196	17	1.15	2.7	3632	251.15	30	1.10	GR109 GRF109			8P	3.0	3326	229.95	31	1.20			3.4	2938	203.16			33	1.35	4.0	2493			172.34					34	1.60	3.6	2804	255.71	20	1.05	GR99 GRF99	4P	3.8	2646	241.25			21	1.10	4.2	2372	216.28	23	1.20	4.9	2043	186.30	25			1.40	5.5	1823	255.71	25	1.55	5.8	1720	241.25	26	1.65	6.5	1542	216.28	26	1.85			7.5	1328	186.30			26	2.20	8.2			1212	170.02	27	2.30	9.3	1075	150.78	27	2.70	11	904	126.75	27	3.20	12	830	116.48	27	3.40																				
284	25	3.20	3.6	3.90			268	26	5.18	3.7	2.80	GRX69 GRXF69	4P			1.0	9460	1397	42	0.85	GR139R79 GRF139R79			4P	307	23	4.53	3.6	3.50					323	22	4.30	3.5	3.60			369	19	3.77	3.4	4.40	434	16	3.20	3.2	6.00	481	15			2.89	3.1	7.10			547	13					2.54					3.0					8.90			579	12	2.40	2.9	9.80	681			10		2.04	2.8		13	747	9.3	1.86	2.7			13	863	8.1	1.61	2.6	14	240	29	3.79	3.1	2.30	GRX59 GRXF59	6P	2.0	4856	717	19	0.90	GR109R79 GRF109R79	4P			256	27	3.55	3.0	2.40	290	24			3.14	2.9	2.60	313	22	2.91	2.9	2.90	345	20	2.64	2.8	3.30	320	22	4.35	2.8	3.00	GRX59 GRXF59		4P	2.3	4158	614	29		1.05	GR109R79 GRF109R79	4P			367	19	3.79	2.7	3.50					392	18	3.55	2.7	3.80			443	16	3.14			2.6	4.00	478	15	2.91	2.5	4.40			527	13	2.64	2.4					5.00			586		12	2.37								2.3	5.60	681	10	2.04	2.2	6.50		724	9.6						1.92	2.2	6.90	842	8.3	1.65	2.1	8.00	939	7.4	1.48	2.0	8.80	1103	6.3	1.26	1.9	9.30	1.1kW							2.6	3684	544	31	1.15	GR99R59 GRF99R59	4P	0.25	37476	5534	128	1.0			0.28	33277	4914	128	1.1			0.32	29756	4394	128	1.2	0.35	26749	3950	128	1.4	0.41	23221	3429	128	1.6	0.45	20980	3098	128	1.7	0.48	19734	2914	128	1.9	0.52	18162							2682	128	2.0	0.61	15535	2294	128	2.4	0.65	14614	2158	128	2.5	0.76	12501	1846	128	2.9	0.53	17993	2657	114	1.00	GR179R99 GRF179R99	4P	3.2	2919	431	20	1.05			GR89R59 GRF89R59	4P	0.60	15799	2333		114	1.15				0.67	14120	2085	114	1.30			0.75	12711	1877			114	1.40	0.84	11309	1670	114	1.60	0.97	9738	1438	114			1.85	1.1	8661	1279	114	2.05	1.2	7605	1123			114	2.35	5.4			1740	257					15	0.90	GR99 GRF99	6P			6.0	1578			233			16	1.00	7.1	1327			196	17	1.15	2.7	3632	251.15	30					1.10	GR109 GRF109	8P	3.0	3326	229.95	31	1.20					3.4	2938	203.16	33	1.35			4.0	2493	172.34			34	1.60	3.6	2804			255.71					20	1.05	GR99 GRF99	4P	3.8	2646	241.25			21	1.10	4.2			2372	216.28	23	1.20	4.9	2043	186.30	25	1.40	5.5	1823	255.71	25	1.55	5.8	1720	241.25	26	1.65	6.5	1542	216.28	26	1.85	7.5	1328	186.30	26	2.20	8.2	1212	170.02	27	2.30			9.3	1075	150.78			27	2.70	11	904	126.75	27	3.20	12	830	116.48	27	3.40																											
268	26	5.18	3.7	2.80	GRX69 GRXF69	4P	1.0	9460	1397	42	0.85			GR139R79 GRF139R79	4P																																																																																																																																																																																																																																																																																																																																																																																																																																																																																																																																																												
307	23	4.53	3.6	3.50			323	22	4.30	3.5	3.60					369	19	3.77	3.4	4.40					434	16	3.20	3.2	6.00					481	15	2.89	3.1	7.10			547	13	2.54	3.0	8.90	579	12	2.40	2.9	9.80	681	10			2.04	2.8	13			747	9.3					1.86					2.7		13	863		8.1		1.61	2.6	14	240	29	3.79	3.1	2.30		GRX59 GRXF59	6P	2.0	4856	717	19	0.90	GR109R79 GRF109R79	4P	256	27	3.55	3.0	2.40	290	24	3.14	2.9	2.60	313	22	2.91	2.9			2.90	345	20	2.64	2.8	3.30	320			22	4.35	2.8	3.00	GRX59 GRXF59	4P	2.3			4158	614	29	1.05	GR109R79 GRF109R79	4P	367	19	3.79	2.7	3.50	392	18	3.55	2.7	3.80	443	16		3.14		2.6	4.00	478	15	2.91	2.5					4.40	527	13	2.64	2.4					5.00	586	12	2.37	2.3			5.60	681	10	2.04	2.2	6.50	724	9.6	1.92	2.2	6.90	842	8.3	1.65	2.1	8.00	939	7.4					1.48			2.0		8.80	1103								6.3	1.26	1.9	9.30	1.1kW							2.6	3684	544		31	1.15	GR99R59 GRF99R59	4P	0.25	37476	5534	128	1.0	0.28	33277	4914	128	1.1	0.32	29756	4394	128	1.2	0.35	26749	3950	128	1.4	0.41	23221	3429	128	1.6	0.45			20980	3098	128	1.7	0.48			19734	2914	128	1.9	0.52			18162	2682	128	2.0	0.61	15535	2294	128	2.4	0.65	14614	2158	128	2.5	0.76	12501	1846	128	2.9	0.53	17993	2657	114	1.00	GR179R99 GRF179R99	4P	3.2		2919	431	20	1.05		GR89R59 GRF89R59	4P	0.60	15799	2333	114	1.15	0.67	14120	2085	114	1.30	0.75	12711	1877	114	1.40	0.84	11309	1670	114	1.60	0.97			9738	1438	114	1.85	1.1					8661	1279	114		2.05	1.2				7605	1123	114	2.35	5.4			1740	257	15	0.90	GR99 GRF99	6P	6.0	1578	233	16	1.00	7.1	1327	196	17	1.15	2.7	3632	251.15	30	1.10	GR109 GRF109	8P	3.0	3326	229.95	31			1.20	3.4	2938			203.16	33					1.35	4.0			2493	172.34	34	1.60	3.6	2804	255.71			20	1.05	GR99 GRF99	4P			3.8	2646	241.25	21	1.10	4.2	2372	216.28	23			1.20			4.9	2043	186.30	25	1.40		5.5	1823		255.71	25	1.55	5.8	1720	241.25	26	1.65	6.5	1542			216.28	26	1.85	7.5			1328					186.30	26			2.20	8.2	1212			170.02	27	2.30			9.3	1075	150.78	27	2.70	11	904	126.75	27	3.20	12	830	116.48	27	3.40																																																																	
323	22	4.30	3.5	3.60			369	19	3.77	3.4	4.40					434	16	3.20	3.2	6.00					481	15	2.89	3.1	7.10					547	13	2.54	3.0	8.90			579	12	2.40	2.9	9.80	681	10	2.04	2.8	13	747	9.3			1.86	2.7	13			863	8.1					1.61		2.6	14		240		29	3.79		3.1	2.30	GRX59 GRXF59	6P	2.0	4856	717	19	0.90	GR109R79 GRF109R79	4P			256	27	3.55	3.0	2.40	290	24	3.14	2.9	2.60	313	22	2.91	2.9	2.90	345	20	2.64	2.8	3.30	320			22	4.35	2.8	3.00	GRX59 GRXF59	4P	2.3			4158	614	29	1.05			GR109R79 GRF109R79	4P	367	19	3.79	2.7	3.50			392	18	3.55	2.7	3.80	443	16	3.14	2.6	4.00	478	15		2.91		2.5	4.40	527	13	2.64	2.4					5.00	586	12	2.37	2.3					5.60	681	10	2.04	2.2			6.50	724	9.6	1.92	2.2	6.90	842	8.3	1.65	2.1	8.00	939	7.4	1.48	2.0	8.80	1103	6.3	1.26			1.9	9.30			1.1kW											2.6	3684	544	31	1.15	GR99R59 GRF99R59	4P	0.25	37476	5534	128	1.0	0.28	33277	4914	128	1.1			0.32	29756	4394	128	1.2	0.35	26749	3950	128	1.4	0.41	23221	3429	128	1.6	0.45	20980	3098	128	1.7	0.48	19734	2914	128	1.9	0.52			18162	2682	128	2.0	0.61			15535	2294	128	2.4	0.65			14614	2158	128	2.5	0.76	12501	1846	128	2.9	0.53	17993	2657	114	1.00	GR179R99 GRF179R99	4P	3.2	2919	431	20	1.05	GR89R59 GRF89R59	4P	0.60			15799	2333	114	1.15	0.67	14120	2085			114	1.30	0.75	12711	1877	114	1.40	0.84	11309	1670	114	1.60	0.97	9738	1438	114	1.85	1.1	8661	1279	114			2.05	1.2	7605	1123	114					2.35	5.4	1740		257	15				0.90	GR99 GRF99	6P	6.0	1578			233	16	1.00	7.1			1327	196	17	1.15	2.7	3632	251.15	30	1.10	GR109 GRF109	8P	3.0	3326	229.95	31			1.20	3.4	2938	203.16	33	1.35	4.0	2493	172.34			34	1.60					3.6	2804			255.71	20	1.05	GR99 GRF99	4P	3.8	2646	241.25	21	1.10	4.2					2372	216.28	23	1.20	4.9	2043	186.30	25	1.40			5.5			1823	255.71	25	1.55	5.8	1720	241.25	26	1.65	6.5	1542	216.28	26	1.85	7.5	1328	186.30	26	2.20	8.2	1212	170.02	27	2.30	9.3			1075					150.78	27			2.70	11	904			126.75	27	3.20			12	830	116.48	27	3.40																																																																											
369	19	3.77	3.4	4.40			434	16	3.20	3.2	6.00					481	15	2.89	3.1	7.10					547	13	2.54	3.0	8.90					579	12	2.40	2.9	9.80			681	10	2.04	2.8	13	747	9.3	1.86	2.7	13	863	8.1			1.61	2.6	14			240	29		3.79	3.1		2.30		GRX59 GRXF59	6P		2.0	4856	717	19	0.90	GR109R79 GRF109R79	4P			256	27	3.55	3.0	2.40	290	24			3.14	2.9	2.60	313	22	2.91	2.9	2.90	345	20	2.64	2.8	3.30	320	22	4.35	2.8	3.00	GRX59 GRXF59	4P	2.3			4158	614	29	1.05			GR109R79 GRF109R79	4P	367	19	3.79	2.7	3.50					392	18	3.55	2.7	3.80			443	16	3.14	2.6	4.00	478	15	2.91	2.5	4.40	527	13		2.64		2.4	5.00	586	12	2.37	2.3					5.60	681	10	2.04	2.2					6.50	724	9.6	1.92	2.2			6.90	842	8.3	1.65	2.1	8.00	939	7.4	1.48	2.0	8.80	1103	6.3	1.26	1.9	9.30	1.1kW									2.6		3684	544	31	1.15						GR99R59 GRF99R59	4P	0.25	37476	5534			128	1.0	0.28	33277	4914	128	1.1	0.32	29756	4394			128	1.2	0.35	26749	3950	128	1.4	0.41	23221	3429	128	1.6	0.45	20980	3098	128	1.7	0.48	19734	2914	128	1.9	0.52	18162	2682	128			2.0	0.61	15535	2294	128			2.4	0.65	14614	2158	128			2.5	0.76	12501	1846	128	2.9	0.53	17993	2657	114	1.00	GR179R99 GRF179R99	4P	3.2			2919	431	20	1.05	GR89R59 GRF89R59			4P			0.60	15799	2333	114	1.15	0.67	14120			2085	114	1.30	0.75	12711	1877	114	1.40	0.84	11309	1670	114	1.60	0.97	9738	1438	114	1.85	1.1	8661	1279			114	2.05	1.2	7605	1123					114	2.35	5.4		1740	257				15			0.90	GR99 GRF99			6P	6.0	1578	233			16	1.00	7.1	1327	196	17	1.15	2.7	3632			251.15	30	1.10	GR109 GRF109			8P	3.0	3326	229.95	31	1.20	3.4	2938	203.16			33	1.35	4.0	2493			172.34	34			1.60	3.6	2804			255.71	20	1.05	GR99 GRF99	4P	3.8					2646	241.25	21	1.10	4.2	2372	216.28	23	1.20			4.9	2043	186.30	25	1.40	5.5	1823	255.71	25	1.55	5.8	1720	241.25	26	1.65	6.5	1542	216.28	26	1.85	7.5	1328	186.30	26	2.20	8.2	1212	170.02		27	2.30		9.3			1075	150.78			27	2.70	11			904	126.75	27	3.20	12	830	116.48	27	3.40																																																																												
434	16	3.20	3.2	6.00			481	15	2.89	3.1	7.10					547	13	2.54	3.0	8.90					579	12	2.40	2.9	9.80					681	10	2.04	2.8	13			747	9.3	1.86	2.7	13	863	8.1	1.61	2.6	14	240	29			3.79	3.1	2.30	GRX59 GRXF59	6P	2.0	4856		717	19		0.90	GR109R79 GRF109R79			4P	256	27	3.55	3.0	2.40	290	24			3.14	2.9	2.60	313	22	2.91	2.9			2.90	345	20	2.64	2.8	3.30	320	22	4.35	2.8	3.00	GRX59 GRXF59	4P	2.3	4158	614	29	1.05			GR109R79 GRF109R79	4P	367	19	3.79	2.7	3.50					392	18	3.55	2.7	3.80					443	16	3.14	2.6	4.00			478	15	2.91	2.5	4.40	527	13	2.64	2.4	5.00	586	12		2.37		2.3	5.60	681	10	2.04	2.2					6.50	724	9.6	1.92	2.2					6.90	842	8.3	1.65	2.1	8.00	939	7.4	1.48	2.0	8.80	1103	6.3	1.26	1.9	9.30	1.1kW							2.6	3684	544			31	1.15			GR99R59 GRF99R59		4P	0.25	37476	5534		128	1.0					0.28	33277	4914			128	1.1	0.32	29756	4394	128	1.2	0.35	26749	3950			128	1.4	0.41	23221	3429	128	1.6	0.45	20980	3098	128	1.7	0.48	19734	2914	128	1.9	0.52	18162	2682	128	2.0	0.61	15535	2294	128			2.4	0.65	14614	2158	128			2.5	0.76	12501	1846	128	2.9	0.53	17993	2657	114	1.00	GR179R99 GRF179R99	4P	3.2	2919	431	20	1.05			GR89R59 GRF89R59			4P	0.60	15799	2333							114	1.15	0.67	14120	2085	114	1.30			0.75	12711	1877	114	1.40	0.84	11309	1670	114	1.60	0.97	9738	1438	114	1.85	1.1	8661	1279	114	2.05	1.2			7605	1123	114	2.35	5.4					1740	257	15		0.90	GR99 GRF99				6P			6.0		1578	233		16	1.00	7.1			1327	196	17	1.15	2.7	3632	251.15	30	1.10			GR109 GRF109	8P	3.0					3326	229.95	31	1.20	3.4	2938	203.16	33		1.35	4.0	2493	172.34	34	1.60		3.6	2804			255.71	20	1.05			GR99 GRF99	4P	3.8			2646					241.25	21	1.10	4.2	2372	216.28	23	1.20	4.9			2043	186.30	25	1.40	5.5	1823	255.71	25	1.55	5.8	1720	241.25	26	1.65	6.5	1542	216.28	26	1.85	7.5	1328	186.30	26	2.20	8.2	1212	170.02	27	2.30	9.3	1075		150.78	27		2.70	11			904	126.75	27	3.20	12	830	116.48	27	3.40																																																																																	
481	15	2.89	3.1	7.10			547	13	2.54	3.0	8.90					579	12	2.40	2.9	9.80					681	10	2.04	2.8	13					747	9.3	1.86	2.7	13			863	8.1	1.61	2.6	14	240	29	3.79	3.1	2.30	GRX59 GRXF59	6P	2.0	4856	717	19	0.90			GR109R79 GRF109R79	4P	256	27	3.55	3.0	2.40	290			24	3.14	2.9	2.60	313	22	2.91	2.9			2.90	345	20	2.64	2.8	3.30	320			22	4.35	2.8	3.00	GRX59 GRXF59	4P	2.3	4158	614	29	1.05			GR109R79 GRF109R79	4P	367	19	3.79					2.7	3.50	392	18	3.55					2.7	3.80	443	16	3.14					2.6	4.00	478	15	2.91			2.5	4.40	527	13	2.64	2.4	5.00	586	12	2.37	2.3	5.60		681		10	2.04	2.2	6.50	724	9.6					1.92	2.2	6.90	842	8.3	1.65	2.1			8.00	939	7.4	1.48	2.0	8.80	1103	6.3	1.26	1.9	9.30	1.1kW							2.6	3684	544	31	1.15	GR99R59 GRF99R59	4P	0.25			37476	5534						128	1.0	0.28	33277	4914	128	1.1				0.32	29756	4394			128	1.2	0.35	26749	3950	128	1.4	0.41	23221	3429			128	1.6	0.45	20980	3098	128	1.7	0.48	19734	2914	128	1.9	0.52	18162	2682	128	2.0	0.61	15535	2294	128	2.4	0.65	14614	2158	128			2.5	0.76	12501	1846	128	2.9	0.53	17993	2657	114	1.00	GR179R99 GRF179R99	4P	3.2	2919	431	20	1.05			GR89R59 GRF89R59	4P	0.60	15799	2333							114	1.15	0.67							14120	2085	114	1.30	0.75	12711	1877			114	1.40	0.84	11309	1670	114	1.60	0.97	9738	1438	114	1.85	1.1	8661	1279	114	2.05	1.2	7605	1123	114			2.35	5.4	1740	257	15					0.90	GR99 GRF99	6P	6.0	1578		233						16		1.00	7.1		1327	196	17			1.15	2.7	3632	251.15	30	1.10	GR109 GRF109	8P	3.0					3326		229.95	31		1.20	3.4	2938	203.16	33	1.35	4.0	2493	172.34	34	1.60	3.6	2804	255.71	20	1.05	GR99 GRF99	4P			3.8	2646	241.25					21			1.10					4.2	2372	216.28	23	1.20	4.9	2043	186.30	25			1.40	5.5	1823	255.71	25	1.55	5.8	1720	241.25	26	1.65	6.5	1542	216.28	26	1.85	7.5	1328	186.30	26	2.20	8.2	1212	170.02	27	2.30	9.3	1075	150.78	27	2.70	11	904	126.75	27	3.20	12	830	116.48	27	3.40																																																																																								
547	13	2.54	3.0	8.90			579	12	2.40	2.9	9.80					681	10	2.04	2.8	13					747	9.3	1.86	2.7	13					863	8.1	1.61	2.6	14			240	29	3.79	3.1	2.30	GRX59 GRXF59	6P	2.0	4856	717			19	0.90	GR109R79 GRF109R79	4P	256			27	3.55	3.0	2.40	290	24	3.14	2.9			2.60	313	22	2.91	2.9	2.90	345	20			2.64	2.8	3.30	320	22	4.35	2.8	3.00	GRX59 GRXF59	4P	2.3	4158	614			29	1.05	GR109R79 GRF109R79	4P	367					19	3.79	2.7					3.50	392	18	3.55	2.7					3.80	443	16	3.14	2.6					4.00	478	15	2.91	2.5			4.40	527	13	2.64	2.4	5.00	586	12	2.37	2.3	5.60	681		10		2.04	2.2	6.50	724	9.6	1.92	2.2	6.90			842	8.3	1.65	2.1	8.00	939	7.4			1.48	2.0	8.80	1103	6.3	1.26	1.9	9.30	1.1kW							2.6	3684	544	31	1.15	GR99R59 GRF99R59	4P	0.25			37476			5534	128				1.0		0.28	33277	4914	128	1.1	0.32	29756	4394			128	1.2	0.35			26749	3950	128	1.4	0.41	23221	3429	128	1.6	0.45			20980	3098	128	1.7	0.48	19734	2914	128	1.9	0.52	18162	2682	128	2.0	0.61	15535	2294	128	2.4	0.65	14614	2158	128	2.5	0.76	12501	1846	128	2.9	0.53	17993	2657	114	1.00	GR179R99 GRF179R99	4P	3.2	2919	431			20	1.05	GR89R59 GRF89R59	4P	0.60					15799	2333	114							1.15	0.67	14120							2085	114	1.30	0.75	12711	1877	114			1.40	0.84	11309	1670	114	1.60	0.97	9738	1438	114	1.85	1.1	8661	1279	114	2.05	1.2	7605	1123	114	2.35			5.4	1740	257	15	0.90			GR99 GRF99	6P	6.0			1578	233		16						1.00		7.1	1327		196	17	1.15			2.7	3632	251.15	30	1.10	GR109 GRF109			8P	3.0	3326			229.95		31	1.20		3.4	2938	203.16	33	1.35	4.0	2493	172.34	34	1.60	3.6	2804	255.71	20	1.05	GR99 GRF99					4P	3.8	2646					241.25			21					1.10	4.2	2372	216.28	23	1.20	4.9	2043	186.30			25	1.40	5.5	1823	255.71	25	1.55	5.8	1720	241.25	26	1.65	6.5	1542	216.28	26	1.85	7.5	1328	186.30	26	2.20	8.2	1212	170.02	27	2.30	9.3	1075	150.78	27	2.70	11	904	126.75	27	3.20	12	830	116.48	27	3.40																																																																																							
579	12	2.40	2.9	9.80			681	10	2.04	2.8	13					747	9.3	1.86	2.7	13					863	8.1	1.61	2.6	14			240	29	3.79	3.1	2.30	GRX59 GRXF59	6P	2.0	4856	717	19	0.90	GR109R79 GRF109R79	4P			256	27	3.55			3.0	2.40	290	24	3.14			2.9	2.60	313	22	2.91	2.9	2.90	345			20	2.64	2.8	3.30	320	22	4.35	2.8	3.00	GRX59 GRXF59	4P	2.3	4158	614	29	1.05	GR109R79 GRF109R79	4P			367	19	3.79			2.7	3.50			392					18	3.55	2.7					3.80	443	16	3.14	2.6					4.00	478	15	2.91	2.5					4.40	527	13	2.64	2.4			5.00	586	12	2.37	2.3	5.60	681	10	2.04	2.2	6.50	724		9.6		1.92	2.2	6.90	842	8.3	1.65	2.1	8.00			939	7.4	1.48	2.0	8.80	1103	6.3			1.26	1.9	9.30	1.1kW							2.6	3684	544	31	1.15	GR99R59 GRF99R59	4P	0.25	37476	5534			128			1.0			0.28	33277	4914	128		1.1		0.32	29756	4394	128	1.2	0.35	26749	3950			128	1.4	0.41			23221	3429	128	1.6	0.45	20980	3098	128	1.7	0.48			19734	2914	128	1.9	0.52	18162	2682	128	2.0	0.61	15535	2294	128	2.4	0.65	14614	2158	128	2.5	0.76	12501	1846	128	2.9	0.53	17993	2657	114	1.00	GR179R99 GRF179R99	4P	3.2	2919	431			20	1.05	GR89R59 GRF89R59			4P	0.60			15799					2333	114	1.15							0.67	14120	2085							114	1.30	0.75	12711	1877	114	1.40			0.84	11309	1670	114	1.60	0.97	9738	1438	114	1.85	1.1	8661	1279	114	2.05	1.2	7605	1123	114	2.35	5.4			1740	257	15	0.90	GR99 GRF99					6P			6.0	1578		233	16	1.00				7.1		1327	196		17	1.15	2.7			3632	251.15	30	1.10	GR109 GRF109					8P	3.0			3326	229.95	31	1.20	3.4	2938	203.16	33	1.35	4.0	2493	172.34	34	1.60	3.6	2804	255.71	20	1.05	GR99 GRF99							4P	3.8					2646			241.25	21	1.10			4.2	2372	216.28	23	1.20	4.9	2043	186.30	25	1.40	5.5	1823	255.71	25	1.55	5.8	1720	241.25	26	1.65	6.5	1542	216.28	26	1.85	7.5	1328	186.30	26	2.20	8.2	1212	170.02	27	2.30	9.3	1075	150.78	27	2.70	11	904	126.75	27	3.20	12	830	116.48	27	3.40																																																																																										
681	10	2.04	2.8	13			747	9.3	1.86	2.7	13					863	8.1	1.61	2.6	14		240	29		3.79	3.1	2.30	GRX59 GRXF59	6P	2.0	4856	717	19	0.90	GR109R79 GRF109R79	4P			256	27	3.55	3.0	2.40	290	24			3.14	2.9	2.60			313	22	2.91	2.9	2.90			345	20	2.64	2.8	3.30	320	22	4.35	2.8	3.00	GRX59 GRXF59	4P	2.3	4158	614	29	1.05	GR109R79 GRF109R79	4P			367	19	3.79	2.7	3.50					392	18	3.55			2.7	3.80			443					16	3.14	2.6					4.00	478	15	2.91	2.5					4.40	527	13	2.64	2.4					5.00	586	12	2.37	2.3	5.60	681	10	2.04	2.2	6.50	724	9.6	1.92	2.2	6.90	842	8.3	1.65		2.1		8.00	939	7.4	1.48	2.0	8.80	1103	6.3			1.26	1.9	9.30	1.1kW							2.6	3684	544	31	1.15	GR99R59 GRF99R59	4P	0.25	37476	5534	128	1.0	0.28	33277			4914	128	1.1			0.32			29756	4394	128	1.2	0.35	26749	3950		128		1.4	0.41	23221	3429	128	1.6	0.45	20980			3098	128	1.7			0.48	19734	2914	128	1.9	0.52	18162	2682	128	2.0	0.61	15535	2294	128	2.4	0.65	14614	2158	128	2.5	0.76	12501	1846	128	2.9	0.53	17993	2657	114	1.00	GR179R99 GRF179R99	4P	3.2	2919	431	20	1.05	GR89R59 GRF89R59	4P	0.60	15799			2333	114	1.15			0.67	14120					2085			114					1.30	0.75	12711							1877	114	1.40							0.84	11309	1670	114	1.60	0.97	9738	1438	114	1.85	1.1	8661	1279	114	2.05	1.2	7605	1123	114	2.35	5.4	1740	257	15	0.90	GR99 GRF99	6P	6.0	1578	233			16	1.00	7.1	1327		196	17						1.15	2.7		3632	251.15	30				1.10		GR109 GRF109	8P		3.0	3326	229.95			31	1.20	3.4	2938							203.16	33	1.35	4.0	2493	172.34	34	1.60	3.6	2804	255.71	20	1.05	GR99 GRF99	4P	3.8	2646	241.25	21	1.10	4.2	2372									216.28	23	1.20			4.9			2043	186.30	25	1.40	5.5	1823	255.71	25	1.55	5.8	1720	241.25	26	1.65	6.5	1542	216.28	26	1.85	7.5	1328	186.30	26	2.20	8.2	1212	170.02	27	2.30	9.3	1075	150.78	27	2.70	11	904	126.75	27	3.20	12	830	116.48	27	3.40																																																																																																					
747	9.3	1.86	2.7	13			863	8.1	1.61	2.6	14	240	29			3.79	3.1	2.30	GRX59 GRXF59	6P	2.0	4856	717	19	0.90	GR109R79 GRF109R79	4P			256	27	3.55	3.0	2.40	290	24			3.14	2.9	2.60	313	22	2.91	2.9			2.90	345	20			2.64	2.8	3.30	320	22	4.35	2.8	3.00	GRX59 GRXF59	4P	2.3	4158	614	29	1.05	GR109R79 GRF109R79	4P			367	19	3.79	2.7	3.50					392	18	3.55	2.7	3.80					443	16	3.14			2.6	4.00			478					15	2.91	2.5					4.40	527	13	2.64	2.4					5.00	586	12	2.37	2.3			5.60	681	10	2.04	2.2	6.50	724	9.6	1.92	2.2	6.90	842	8.3	1.65	2.1	8.00	939	7.4	1.48	2.0	8.80		1103		6.3	1.26	1.9	9.30	1.1kW							2.6	3684	544	31	1.15	GR99R59 GRF99R59			4P	0.25	37476	5534	128	1.0			0.28	33277	4914	128	1.1	0.32	29756			4394	128	1.2			0.35			26749	3950	128	1.4	0.41	23221	3429		128		1.6	0.45	20980	3098	128	1.7	0.48	19734			2914	128	1.9	0.52	18162	2682	128	2.0	0.61	15535	2294	128	2.4	0.65	14614	2158	128	2.5	0.76	12501	1846	128	2.9	0.53	17993	2657	114	1.00	GR179R99 GRF179R99	4P	3.2	2919	431	20	1.05			GR89R59 GRF89R59	4P	0.60	15799	2333			114	1.15			0.67	14120	2085			114	1.30					0.75			12711					1877	114	1.40							0.84	11309	1670		114	1.60				0.97	9738	1438	114	1.85	1.1	8661	1279	114	2.05	1.2	7605	1123	114	2.35	5.4	1740	257	15	0.90	GR99 GRF99	6P	6.0	1578	233			16	1.00	7.1	1327	196	17	1.15	2.7	3632		251.15	30						1.10	GR109 GRF109		8P	3.0	3326				229.95					31	1.20	3.4			2938	203.16	33	1.35			4.0	2493			172.34	34	1.60	3.6	2804	255.71	20	1.05	GR99 GRF99	4P	3.8	2646	241.25			21	1.10	4.2	2372	216.28	23	1.20					4.9	2043			186.30	25	1.40			5.5	1823	255.71	25	1.55	5.8	1720	241.25	26	1.65	6.5	1542	216.28	26	1.85	7.5	1328	186.30	26	2.20	8.2	1212	170.02	27	2.30	9.3	1075	150.78	27	2.70	11	904	126.75	27	3.20	12	830	116.48	27	3.40																																																																																																												
863	8.1	1.61	2.6	14	240	29	3.79	3.1	2.30	GRX59 GRXF59	6P	2.0	4856	717	19	0.90	GR109R79 GRF109R79	4P			256	27	3.55	3.0	2.40	290	24			3.14	2.9	2.60	313	22	2.91	2.9			2.90	345	20	2.64	2.8	3.30	320			22	4.35	2.8	3.00	GRX59 GRXF59	4P	2.3	4158	614	29	1.05	GR109R79 GRF109R79	4P			367	19	3.79	2.7	3.50					392	18	3.55	2.7	3.80					443	16	3.14	2.6	4.00					478	15	2.91			2.5	4.40			527					13	2.64	2.4					5.00	586	12	2.37	2.3			5.60	681	10	2.04	2.2	6.50	724			9.6	1.92	2.2	6.90	842	8.3	1.65	2.1	8.00	939	7.4	1.48	2.0	8.80	1103	6.3	1.26	1.9	9.30	1.1kW							2.6	3684	544	31	1.15	GR99R59 GRF99R59			4P	0.25	37476	5534	128	1.0		0.28	33277		4914	128	1.1	0.32	29756			4394	128	1.2	0.35	26749	3950	128			1.4	0.41	23221			3429			128	1.6	0.45	20980	3098	128	1.7		0.48		19734	2914	128	1.9	0.52	18162	2682	128	2.0	0.61	15535	2294	128	2.4	0.65	14614	2158	128	2.5	0.76	12501	1846	128	2.9	0.53	17993	2657	114	1.00	GR179R99 GRF179R99	4P	3.2	2919	431	20	1.05	GR89R59 GRF89R59	4P			0.60	15799	2333	114	1.15					0.67	14120	2085			114	1.30			0.75	12711	1877			114	1.40					0.84			11309					1670	114	1.60							0.97	9738	1438	114	1.85	1.1	8661			1279	114	2.05	1.2	7605	1123	114	2.35	5.4	1740	257	15	0.90	GR99 GRF99	6P	6.0	1578	233	16	1.00			7.1	1327	196			17	1.15	2.7	3632	251.15	30	1.10	GR109 GRF109	8P		3.0	3326						229.95				31	1.20				3.4					2938	203.16	33			1.35	4.0	2493	172.34		34	1.60	3.6	2804		255.71	20	1.05	GR99 GRF99	4P	3.8	2646	241.25			21	1.10	4.2			2372	216.28	23	1.20	4.9	2043	186.30					25	1.40			5.5	1823	255.71	25	1.55	5.8	1720	241.25	26	1.65	6.5	1542	216.28	26	1.85	7.5	1328	186.30	26	2.20	8.2	1212	170.02	27	2.30	9.3	1075	150.78	27	2.70	11	904	126.75	27	3.20	12	830	116.48	27	3.40																																																																																																																	
240	29	3.79	3.1	2.30	GRX59 GRXF59	6P	2.0	4856	717			19	0.90	GR109R79 GRF109R79	4P																																																																																																																																																																																																																																																																																																																																																																																																																																																																																																																																																												
256	27	3.55	3.0	2.40			290	24	3.14			2.9	2.60	313	22	2.91	2.9	2.90			345	20	2.64	2.8	3.30	320	22			4.35	2.8	3.00	GRX59 GRXF59	4P	2.3	4158	614	29	1.05	GR109R79 GRF109R79	4P	367	19	3.79	2.7	3.50	392	18	3.55	2.7	3.80			443	16	3.14	2.6	4.00					478	15	2.91	2.5	4.40					527	13	2.64	2.4	5.00					586	12	2.37	2.3	5.60					681	10	2.04			2.2	6.50			724			9.6	1.92	2.2	6.90	842			8.3	1.65	2.1	8.00	939	7.4	1.48			2.0	8.80	1103	6.3	1.26	1.9	9.30			1.1kW							2.6	3684	544	31	1.15	GR99R59 GRF99R59	4P	0.25	37476	5534	128	1.0	0.28	33277	4914	128	1.1	0.32	29756	4394	128	1.2	0.35	26749		3950	128		1.4	0.41	23221	3429	128		1.6	0.45		20980	3098	128	1.7	0.48			19734	2914	128	1.9	0.52	18162	2682			128	2.0	0.61			15535	2294	128	2.4	0.65	14614	2158	128	2.5	0.76	12501	1846	128	2.9	0.53	17993	2657	114	1.00	GR179R99 GRF179R99	4P	3.2	2919	431	20	1.05	GR89R59 GRF89R59	4P	0.60	15799	2333	114	1.15	0.67	14120	2085	114	1.30	0.75	12711	1877	114			1.40	0.84	11309	1670	114					1.60	0.97	9738	1438	114					1.85	1.1	8661			1279	114			2.05	1.2	7605			1123	114					2.35			5.4			1740	257	15	0.90	GR99 GRF99			6P	6.0	1578	233	16	1.00	7.1	1327	196	17	1.15	2.7	3632	251.15	30	1.10	GR109 GRF109	8P	3.0	3326	229.95	31	1.20	3.4	2938	203.16			33	1.35	4.0	2493	172.34			34	1.60	3.6			2804	255.71	20	1.05	GR99 GRF99	4P	3.8				2646	241.25						21				1.10	4.2		2372	216.28	23		1.20	4.9		2043	186.30	25	1.40	5.5	1823	255.71	25	1.55	5.8	1720	241.25	26	1.65	6.5	1542	216.28	26			1.85	7.5	1328			186.30	26	2.20			8.2	1212	170.02	27	2.30	9.3	1075		150.78	27	2.70	11	904	126.75		27	3.20	12	830	116.48	27	3.40																																																																																																																																																		
290	24	3.14	2.9	2.60			313	22	2.91			2.9	2.90	345	20	2.64	2.8	3.30			320	22	4.35	2.8	3.00	GRX59 GRXF59	4P	2.3	4158	614	29	1.05			GR109R79 GRF109R79	4P	367	19	3.79			2.7	3.50	392	18	3.55	2.7	3.80	443	16	3.14			2.6	4.00	478	15	2.91					2.5	4.40	527	13	2.64					2.4	5.00	586	12	2.37					2.3	5.60	681	10	2.04					2.2	6.50	724			9.6	1.92	2.2	6.90	842			8.3	1.65	2.1	8.00	939			7.4	1.48	2.0	8.80	1103	6.3	1.26			1.9	9.30	1.1kW							2.6	3684	544	31	1.15	GR99R59 GRF99R59	4P	0.25	37476	5534	128	1.0			0.28	33277	4914	128	1.1	0.32	29756	4394	128	1.2	0.35	26749	3950	128	1.4	0.41	23221		3429	128		1.6	0.45	20980	3098	128		1.7	0.48		19734	2914	128	1.9	0.52			18162	2682	128	2.0	0.61	15535	2294			128	2.4	0.65	14614	2158	128	2.5	0.76	12501	1846	128	2.9	0.53	17993	2657	114	1.00	GR179R99 GRF179R99	4P	3.2	2919	431	20	1.05			GR89R59 GRF89R59	4P	0.60	15799	2333			114	1.15	0.67	14120	2085	114	1.30	0.75	12711	1877	114	1.40	0.84	11309			1670	114	1.60	0.97	9738					1438	114	1.85	1.1	8661					1279	114	2.05			1.2	7605			1123	114	2.35			5.4	1740					257	15	0.90	GR99 GRF99			6P	6.0	1578	233		16	1.00		7.1	1327	196	17	1.15	2.7	3632	251.15	30	1.10	GR109 GRF109	8P	3.0	3326	229.95			31	1.20	3.4	2938	203.16	33	1.35	4.0			2493	172.34	34	1.60	3.6			2804	255.71	20			1.05	GR99 GRF99	4P	3.8			2646				241.25	21						1.10	4.2		2372	216.28	23		1.20	4.9	2043	186.30	25	1.40	5.5	1823	255.71	25	1.55	5.8	1720	241.25	26	1.65	6.5	1542	216.28	26	1.85	7.5	1328	186.30	26			2.20	8.2	1212			170.02	27	2.30			9.3	1075	150.78	27	2.70	11	904	126.75	27	3.20	12	830	116.48	27	3.40																																																																																																																																																									
313	22	2.91	2.9	2.90			345	20	2.64			2.8	3.30	320	22	4.35	2.8	3.00	GRX59 GRXF59	4P	2.3	4158	614	29	1.05			GR109R79 GRF109R79	4P	367	19	3.79					2.7	3.50	392			18	3.55	2.7	3.80	443	16	3.14	2.6	4.00	478			15	2.91	2.5	4.40	527					13	2.64	2.4	5.00	586					12	2.37	2.3	5.60	681					10	2.04	2.2	6.50	724	9.6	1.92			2.2	6.90	842			8.3	1.65	2.1	8.00	939			7.4	1.48	2.0	8.80	1103			6.3	1.26	1.9	9.30	1.1kW							2.6	3684	544	31	1.15	GR99R59 GRF99R59	4P	0.25	37476	5534	128	1.0			0.28	33277	4914	128	1.1			0.32	29756	4394	128	1.2	0.35	26749	3950	128	1.4	0.41	23221	3429	128	1.6	0.45	20980		3098	128		1.7	0.48	19734	2914	128		1.9	0.52		18162	2682	128	2.0	0.61			15535	2294	128	2.4	0.65	14614	2158	128	2.5	0.76	12501	1846	128	2.9	0.53	17993	2657	114	1.00	GR179R99 GRF179R99	4P	3.2	2919	431	20	1.05			GR89R59 GRF89R59	4P	0.60	15799	2333					114	1.15	0.67			14120	2085	114	1.30	0.75	12711	1877	114	1.40	0.84	11309	1670	114	1.60			0.97	9738	1438	114	1.85					1.1	8661	1279	114	2.05					1.2	7605	1123			114	2.35			5.4	1740	257			15	0.90	GR99 GRF99			6P	6.0	1578	233		16	1.00		7.1	1327	196		17	1.15		2.7	3632	251.15	30	1.10	GR109 GRF109	8P	3.0	3326	229.95			31	1.20	3.4			2938	203.16	33	1.35	4.0	2493	172.34	34			1.60	3.6	2804	255.71	20			1.05	GR99 GRF99	4P			3.8			2646			241.25	21	1.10		4.2	2372						216.28	23	1.20	4.9	2043	186.30	25	1.40	5.5	1823	255.71	25	1.55	5.8	1720	241.25	26	1.65	6.5	1542	216.28	26	1.85	7.5	1328	186.30	26	2.20	8.2	1212	170.02	27			2.30	9.3	1075			150.78	27	2.70	11	904	126.75	27	3.20	12	830	116.48	27	3.40																																																																																																																																																																
345	20	2.64	2.8	3.30			320	22	4.35	2.8	3.00	GRX59 GRXF59	4P	2.3	4158	614	29	1.05			GR109R79 GRF109R79	4P	367	19	3.79					2.7	3.50	392					18	3.55	2.7			3.80	443	16	3.14	2.6	4.00	478	15	2.91	2.5			4.40	527	13	2.64	2.4					5.00	586	12	2.37	2.3					5.60	681	10	2.04	2.2	6.50	724			9.6	1.92	2.2	6.90	842	8.3	1.65			2.1	8.00	939			7.4	1.48	2.0	8.80	1103			6.3	1.26	1.9	9.30	1.1kW							2.6	3684	544	31	1.15	GR99R59 GRF99R59	4P	0.25	37476	5534	128	1.0			0.28	33277	4914	128	1.1			0.32	29756	4394	128	1.2			0.35	26749	3950	128	1.4	0.41	23221	3429	128	1.6	0.45	20980	3098	128	1.7	0.48	19734		2914	128		1.9	0.52	18162	2682	128		2.0	0.61		15535	2294	128	2.4	0.65	14614	2158	128	2.5	0.76	12501	1846	128	2.9	0.53	17993	2657	114	1.00	GR179R99 GRF179R99	4P	3.2	2919	431	20	1.05			GR89R59 GRF89R59	4P	0.60	15799	2333					114	1.15	0.67					14120	2085	114			1.30	0.75	12711	1877	114	1.40	0.84	11309	1670	114	1.60	0.97	9738	1438			114	1.85	1.1	8661	1279					114	2.05	1.2	7605	1123					114	2.35	5.4	1740	257	15	0.90			GR99 GRF99	6P	6.0			1578	233		16	1.00		7.1	1327	196		17	1.15		2.7	3632	251.15		30	1.10		GR109 GRF109	8P	3.0	3326	229.95			31	1.20	3.4			2938	203.16	33			1.35	4.0	2493	172.34	34	1.60	3.6	2804			255.71	20	1.05	GR99 GRF99	4P			3.8					2646			241.25			21	1.10	4.2		2372	216.28				23	1.20	4.9	2043	186.30	25	1.40	5.5	1823	255.71	25	1.55	5.8	1720	241.25	26	1.65	6.5	1542	216.28	26	1.85	7.5	1328	186.30	26	2.20	8.2	1212	170.02	27	2.30	9.3	1075			150.78	27	2.70	11	904	126.75	27	3.20	12	830	116.48	27	3.40																																																																																																																																																																					
320	22	4.35	2.8	3.00	GRX59 GRXF59	4P	2.3	4158	614	29	1.05			GR109R79 GRF109R79	4P																																																																																																																																																																																																																																																																																																																																																																																																																																																																																																																																																												
367	19	3.79	2.7	3.50			392	18	3.55	2.7	3.80					443	16	3.14					2.6	4.00	478					15	2.91	2.5					4.40	527	13			2.64	2.4	5.00	586	12	2.37	2.3	5.60	681	10			2.04	2.2	6.50	724	9.6	1.92	2.2			6.90	842	8.3	1.65	2.1	8.00	939			7.4	1.48	2.0	8.80	1103	6.3	1.26			1.9	9.30	1.1kW							2.6	3684	544			31	1.15	GR99R59 GRF99R59	4P	0.25	37476	5534	128	1.0	0.28	33277	4914	128	1.1	0.32	29756	4394	128	1.2	0.35	26749	3950	128			1.4	0.41	23221	3429	128			1.6	0.45	20980	3098	128			1.7	0.48	19734	2914	128			1.9	0.52	18162	2682	128	2.0	0.61	15535	2294	128	2.4	0.65	14614	2158	128	2.5	0.76	12501	1846	128	2.9	0.53	17993	2657	114	1.00	GR179R99 GRF179R99	4P	3.2	2919	431	20	1.05	GR89R59 GRF89R59	4P	0.60	15799	2333	114	1.15	0.67	14120	2085	114	1.30	0.75	12711	1877	114			1.40	0.84	11309	1670	114					1.60	0.97	9738					1438	114	1.85					1.1	8661	1279			114	2.05	1.2	7605	1123	114	2.35	5.4	1740	257	15	0.90	GR99 GRF99	6P			6.0	1578	233	16	1.00	7.1	1327			196	17	1.15	2.7	3632			251.15	30	1.10	GR109 GRF109	8P	3.0	3326	229.95	31	1.20	3.4			2938	203.16	33	1.35	4.0		2493	172.34		34	1.60	3.6		2804	255.71		20	1.05	GR99 GRF99		4P	3.8				2646	241.25	21			1.10	4.2	2372	216.28	23	1.20	4.9	2043	186.30	25	1.40	5.5	1823	255.71	25	1.55	5.8	1720			241.25	26	1.65					6.5					1542			216.28			26	1.85	7.5	1328	186.30	26	2.20	8.2	1212	170.02	27	2.30	9.3	1075	150.78	27	2.70	11	904	126.75	27	3.20	12	830	116.48	27	3.40																																																																																																																																																																																																				
392	18	3.55	2.7	3.80			443	16	3.14	2.6	4.00					478	15	2.91					2.5	4.40	527					13	2.64	2.4					5.00	586	12			2.37	2.3	5.60	681	10	2.04	2.2	6.50	724	9.6			1.92	2.2	6.90	842	8.3	1.65	2.1			8.00	939	7.4	1.48	2.0	8.80	1103			6.3	1.26	1.9	9.30	1.1kW							2.6	3684	544	31	1.15			GR99R59 GRF99R59	4P	0.25	37476	5534	128	1.0			0.28	33277	4914	128	1.1	0.32	29756	4394	128	1.2	0.35	26749	3950	128	1.4	0.41	23221	3429	128			1.6	0.45	20980	3098	128			1.7	0.48	19734	2914	128			1.9	0.52	18162	2682	128			2.0	0.61	15535	2294	128	2.4	0.65	14614	2158	128	2.5	0.76	12501	1846	128	2.9	0.53	17993	2657	114	1.00	GR179R99 GRF179R99	4P	3.2	2919	431			20	1.05	GR89R59 GRF89R59	4P	0.60			15799	2333	114	1.15	0.67	14120	2085	114	1.30	0.75	12711	1877	114	1.40			0.84	11309	1670	114	1.60					0.97	9738	1438					114	1.85	1.1					8661	1279	114			2.05	1.2	7605	1123	114	2.35	5.4	1740	257	15	0.90	GR99 GRF99					6P	6.0	1578	233	16	1.00	7.1			1327	196	17	1.15	2.7	3632	251.15	30	1.10	GR109 GRF109			8P	3.0	3326	229.95	31	1.20			3.4	2938	203.16	33	1.35		4.0	2493		172.34	34	1.60		3.6	2804		255.71	20				1.05				GR99 GRF99	4P	3.8	2646	241.25	21	1.10	4.2	2372	216.28	23	1.20	4.9	2043	186.30	25	1.40	5.5	1823	255.71	25	1.55	5.8			1720	241.25	26					1.65			6.5	1542	216.28			26	1.85	7.5	1328	186.30	26	2.20	8.2	1212	170.02	27	2.30	9.3	1075	150.78	27	2.70	11	904	126.75	27	3.20	12	830	116.48	27	3.40																																																																																																																																																																																																							
443	16	3.14	2.6	4.00			478	15	2.91	2.5	4.40					527	13	2.64					2.4	5.00	586					12	2.37	2.3					5.60	681	10	2.04	2.2	6.50	724	9.6	1.92	2.2	6.90	842	8.3	1.65	2.1			8.00	939	7.4	1.48	2.0	8.80	1103			6.3	1.26	1.9	9.30	1.1kW							2.6	3684	544	31	1.15			GR99R59 GRF99R59	4P	0.25	37476	5534	128	1.0	0.28	33277			4914	128	1.1	0.32	29756			4394	128	1.2	0.35	26749	3950	128	1.4	0.41	23221	3429	128	1.6	0.45	20980	3098	128	1.7	0.48			19734	2914	128	1.9	0.52			18162	2682	128	2.0	0.61			15535	2294	128	2.4	0.65	14614	2158	128	2.5	0.76	12501	1846	128	2.9	0.53	17993	2657	114	1.00	GR179R99 GRF179R99	4P	3.2	2919	431	20	1.05	GR89R59 GRF89R59	4P			0.60	15799	2333			114	1.15			0.67			14120	2085	114	1.30	0.75	12711	1877	114	1.40	0.84	11309	1670	114	1.60			0.97	9738	1438	114	1.85					1.1	8661	1279					114	2.05	1.2					7605	1123	114	2.35	5.4	1740	257	15	0.90	GR99 GRF99	6P	6.0	1578	233	16	1.00							7.1	1327	196	17	1.15	2.7	3632	251.15	30	1.10	GR109 GRF109	8P	3.0	3326	229.95	31	1.20					3.4	2938	203.16	33	1.35			4.0	2493	172.34	34	1.60		3.6	2804		255.71	20	1.05		GR99 GRF99	4P		3.8	2646				241.25		21	1.10			4.2	2372	216.28	23	1.20	4.9	2043	186.30	25	1.40	5.5	1823	255.71	25	1.55	5.8	1720	241.25	26	1.65	6.5			1542	216.28	26			1.85	7.5	1328			186.30	26	2.20	8.2	1212	170.02	27	2.30	9.3	1075	150.78	27	2.70	11	904	126.75	27	3.20	12	830	116.48	27	3.40																																																																																																																																																																																																																
478	15	2.91	2.5	4.40			527	13	2.64	2.4	5.00					586	12	2.37					2.3	5.60	681					10	2.04	2.2			6.50	724	9.6	1.92	2.2	6.90	842	8.3	1.65	2.1	8.00	939	7.4	1.48	2.0	8.80	1103			6.3	1.26	1.9	9.30	1.1kW							2.6	3684	544	31	1.15			GR99R59 GRF99R59	4P	0.25	37476	5534	128	1.0	0.28	33277			4914	128	1.1	0.32	29756	4394	128			1.2	0.35	26749	3950	128			1.4	0.41	23221	3429	128	1.6	0.45	20980	3098	128	1.7	0.48	19734	2914	128	1.9	0.52	18162	2682			128	2.0	0.61	15535	2294			128	2.4	0.65	14614	2158	128	2.5	0.76	12501	1846	128	2.9	0.53	17993	2657	114	1.00	GR179R99 GRF179R99	4P	3.2	2919	431	20	1.05	GR89R59 GRF89R59	4P			0.60	15799	2333	114	1.15					0.67	14120	2085			114	1.30			0.75			12711	1877	114	1.40	0.84	11309	1670	114	1.60	0.97	9738	1438	114	1.85			1.1	8661	1279	114	2.05					1.2	7605	1123					114	2.35	5.4			1740	257	15	0.90	GR99 GRF99	6P	6.0	1578	233	16	1.00			7.1	1327	196	17	1.15				2.7	3632		251.15	30	1.10	GR109 GRF109	8P	3.0	3326	229.95	31	1.20			3.4	2938	203.16	33	1.35					4.0	2493	172.34	34	1.60			3.6	2804	255.71	20	1.05		GR99 GRF99	4P		3.8	2646	241.25					21	1.10				4.2		2372	216.28			23	1.20	4.9	2043	186.30	25	1.40	5.5	1823	255.71	25	1.55	5.8	1720	241.25	26	1.65	6.5	1542	216.28	26	1.85	7.5	1328	186.30	26			2.20	8.2	1212	170.02	27	2.30	9.3	1075	150.78	27	2.70	11	904	126.75	27	3.20	12	830	116.48	27	3.40																																																																																																																																																																																																																							
527	13	2.64	2.4	5.00			586	12	2.37	2.3	5.60					681	10	2.04					2.2	6.50	724			9.6	1.92	2.2	6.90	842			8.3	1.65	2.1	8.00	939	7.4	1.48	2.0	8.80	1103	6.3	1.26	1.9	9.30	1.1kW							2.6	3684	544	31	1.15			GR99R59 GRF99R59	4P	0.25	37476	5534	128	1.0	0.28	33277			4914	128	1.1	0.32	29756	4394	128			1.2	0.35	26749	3950	128	1.4	0.41			23221	3429	128	1.6	0.45			20980	3098	128	1.7	0.48	19734	2914	128	1.9	0.52	18162	2682	128	2.0	0.61	15535	2294	128	2.4			0.65	14614	2158	128	2.5	0.76	12501	1846	128	2.9	0.53	17993	2657	114	1.00	GR179R99 GRF179R99	4P	3.2	2919	431	20	1.05	GR89R59 GRF89R59	4P			0.60	15799	2333	114	1.15					0.67	14120	2085	114	1.30					0.75	12711	1877			114	1.40			0.84			11309	1670	114	1.60	0.97	9738	1438	114	1.85	1.1	8661	1279	114	2.05			1.2	7605	1123	114	2.35					5.4	1740	257			15	0.90	GR99 GRF99	6P	6.0			1578	233	16	1.00			7.1	1327	196	17	1.15			2.7	3632	251.15	30	1.10				GR109 GRF109	8P		3.0	3326	229.95			31	1.20	3.4	2938	203.16			33	1.35	4.0	2493	172.34		34	1.60		3.6	2804	255.71	20	1.05			GR99 GRF99	4P	3.8	2646	241.25					21	1.10	4.2					2372	216.28				23		1.20	4.9			2043	186.30	25	1.40	5.5	1823	255.71	25	1.55	5.8	1720	241.25	26	1.65	6.5	1542	216.28	26	1.85	7.5	1328	186.30	26	2.20	8.2	1212	170.02	27	2.30	9.3	1075	150.78	27	2.70	11	904	126.75	27	3.20	12	830	116.48	27	3.40																																																																																																																																																																																																																												
586	12	2.37	2.3	5.60			681	10	2.04	2.2	6.50					724	9.6	1.92			2.2	6.90	842	8.3	1.65			2.1	8.00	939	7.4	1.48			2.0	8.80	1103	6.3	1.26	1.9	9.30	1.1kW							2.6	3684	544			31	1.15	GR99R59 GRF99R59	4P	0.25	37476	5534	128	1.0			0.28	33277	4914	128	1.1	0.32	29756			4394	128	1.2	0.35	26749	3950	128			1.4	0.41	23221	3429	128	1.6	0.45			20980	3098	128	1.7	0.48			19734	2914	128	1.9	0.52	18162	2682	128	2.0	0.61	15535	2294	128	2.4	0.65	14614	2158	128	2.5	0.76	12501	1846	128	2.9	0.53	17993	2657	114	1.00	GR179R99 GRF179R99	4P	3.2	2919	431	20	1.05			GR89R59 GRF89R59	4P	0.60	15799	2333					114	1.15	0.67	14120	2085					114	1.30	0.75	12711	1877					114	1.40	0.84			11309	1670			114			1.60	0.97	9738	1438	114	1.85	1.1	8661	1279	114	2.05	1.2	7605	1123			114	2.35	5.4	1740	257			15	0.90	GR99 GRF99	6P	6.0			1578	233			16	1.00	7.1	1327	196	17	1.15			2.7	3632	251.15	30	1.10			GR109 GRF109	8P	3.0	3326	229.95							31	1.20	3.4			2938	203.16	33	1.35	4.0			2493	172.34	34	1.60	3.6	2804	255.71	20	1.05	GR99 GRF99	4P	3.8	2646	241.25					21	1.10	4.2					2372	216.28	23					1.20	4.9		2043		186.30	25	1.40	5.5			1823	255.71	25	1.55	5.8	1720	241.25	26	1.65	6.5	1542	216.28	26	1.85	7.5	1328	186.30	26	2.20	8.2	1212	170.02	27	2.30	9.3	1075	150.78	27	2.70	11	904	126.75	27	3.20	12	830	116.48	27	3.40																																																																																																																																																																																																																																	
681	10	2.04	2.2	6.50			724	9.6	1.92	2.2	6.90			842	8.3	1.65	2.1	8.00			939	7.4	1.48	2.0	8.80			1103	6.3	1.26	1.9	9.30			1.1kW							2.6	3684	544	31	1.15	GR99R59 GRF99R59	4P	0.25	37476	5534	128	1.0	0.28	33277			4914	128	1.1	0.32	29756			4394	128	1.2	0.35	26749	3950	128			1.4	0.41	23221	3429	128	1.6	0.45			20980	3098	128	1.7	0.48	19734	2914			128	1.9	0.52	18162	2682			128	2.0	0.61	15535	2294	128	2.4	0.65	14614	2158	128	2.5	0.76	12501	1846	128	2.9	0.53	17993	2657	114	1.00	GR179R99 GRF179R99	4P	3.2	2919	431	20	1.05			GR89R59 GRF89R59	4P	0.60	15799	2333					114	1.15	0.67					14120	2085	114	1.30	0.75					12711	1877	114	1.40	0.84					11309	1670	114			1.60	0.97			9738			1438	114	1.85	1.1	8661	1279	114	2.05	1.2	7605	1123	114	2.35	5.4			1740	257	15	0.90	GR99 GRF99			6P	6.0			1578	233	16	1.00	7.1			1327	196	17	1.15	2.7	3632	251.15			30	1.10	GR109 GRF109	8P	3.0					3326	229.95	31							1.20	3.4	2938			203.16	33	1.35	4.0	2493	172.34	34	1.60	3.6	2804	255.71	20	1.05	GR99 GRF99	4P	3.8			2646	241.25	21					1.10	4.2	2372					216.28	23	1.20	4.9			2043	186.30	25	1.40	5.5	1823	255.71	25	1.55	5.8			1720	241.25	26	1.65	6.5	1542	216.28	26	1.85	7.5	1328	186.30	26	2.20	8.2	1212	170.02	27	2.30	9.3	1075	150.78	27	2.70	11	904	126.75	27	3.20	12	830	116.48	27	3.40																																																																																																																																																																																																																																						
724	9.6	1.92	2.2	6.90			842	8.3	1.65	2.1	8.00			939	7.4	1.48	2.0	8.80			1103	6.3	1.26	1.9	9.30			1.1kW							2.6	3684	544	31	1.15	GR99R59 GRF99R59	4P	0.25	37476	5534	128	1.0			0.28	33277	4914	128	1.1	0.32	29756			4394	128	1.2	0.35	26749			3950	128	1.4	0.41	23221	3429	128			1.6	0.45	20980	3098	128	1.7	0.48			19734	2914	128	1.9	0.52	18162	2682			128	2.0	0.61	15535	2294	128	2.4	0.65	14614	2158	128	2.5	0.76	12501	1846	128	2.9	0.53	17993	2657	114	1.00	GR179R99 GRF179R99	4P	3.2	2919	431	20	1.05			GR89R59 GRF89R59	4P	0.60	15799	2333					114	1.15	0.67					14120	2085	114					1.30	0.75	12711	1877	114					1.40	0.84	11309	1670	114					1.60	0.97	9738			1438	114			1.85	1.1	8661	1279	114	2.05	1.2	7605	1123	114	2.35	5.4	1740	257	15	0.90	GR99 GRF99			6P	6.0	1578	233		16	1.00		7.1			1327	196	17	1.15	2.7			3632	251.15	30	1.10	GR109 GRF109	8P	3.0			3326	229.95			31					1.20	3.4	2938							203.16	33	1.35	4.0	2493	172.34	34	1.60	3.6	2804	255.71	20	1.05	GR99 GRF99	4P	3.8	2646	241.25			21			1.10	4.2	2372					216.28	23	1.20	4.9			2043	186.30	25	1.40	5.5			1823	255.71	25	1.55	5.8	1720	241.25	26	1.65	6.5	1542	216.28	26	1.85	7.5	1328	186.30	26	2.20	8.2	1212	170.02	27	2.30	9.3	1075	150.78	27	2.70	11	904	126.75	27	3.20	12	830	116.48	27	3.40																																																																																																																																																																																																																																													
842	8.3	1.65	2.1	8.00			939	7.4	1.48	2.0	8.80			1103	6.3	1.26	1.9	9.30			1.1kW							2.6	3684	544	31	1.15	GR99R59 GRF99R59	4P	0.25	37476	5534	128	1.0			0.28	33277	4914	128	1.1			0.32	29756	4394	128	1.2	0.35	26749			3950	128	1.4	0.41	23221			3429	128	1.6	0.45	20980	3098	128			1.7	0.48	19734	2914	128	1.9	0.52			18162	2682	128	2.0	0.61	15535	2294	128	2.4	0.65	14614	2158	128	2.5	0.76	12501	1846	128	2.9	0.53	17993	2657	114	1.00	GR179R99 GRF179R99	4P	3.2	2919	431	20	1.05			GR89R59 GRF89R59	4P	0.60	15799	2333					114	1.15	0.67					14120	2085	114					1.30	0.75	12711					1877	114	1.40	0.84	11309					1670	114	1.60	0.97	9738					1438	114	1.85			1.1	8661	1279	114	2.05	1.2	7605	1123	114	2.35	5.4	1740	257	15	0.90	GR99 GRF99	6P	6.0	1578	233		16	1.00		7.1	1327	196		17	1.15		2.7			3632	251.15	30	1.10	GR109 GRF109			8P	3.0	3326	229.95			31			1.20	3.4			2938					203.16	33	1.35				4.0	2493		172.34	34	1.60	3.6	2804	255.71	20	1.05	GR99 GRF99	4P	3.8	2646	241.25			21	1.10	4.2			2372			216.28	23	1.20	4.9	2043			186.30	25	1.40	5.5			1823	255.71	25	1.55	5.8	1720	241.25	26	1.65	6.5	1542	216.28	26	1.85	7.5	1328	186.30	26	2.20	8.2	1212	170.02	27	2.30	9.3	1075	150.78	27	2.70	11	904	126.75	27	3.20	12	830	116.48	27	3.40																																																																																																																																																																																																																																																				
939	7.4	1.48	2.0	8.80			1103	6.3	1.26	1.9	9.30			1.1kW							2.6	3684	544	31	1.15	GR99R59 GRF99R59	4P	0.25	37476	5534	128	1.0			0.28	33277	4914	128	1.1			0.32	29756	4394	128	1.2			0.35	26749	3950	128	1.4	0.41	23221			3429	128	1.6	0.45	20980			3098	128	1.7	0.48	19734	2914	128			1.9	0.52	18162	2682	128	2.0	0.61	15535	2294	128	2.4	0.65	14614	2158	128	2.5	0.76	12501	1846	128	2.9	0.53	17993	2657	114	1.00	GR179R99 GRF179R99	4P	3.2	2919	431	20	1.05			GR89R59 GRF89R59	4P	0.60	15799	2333					114	1.15	0.67					14120	2085	114					1.30	0.75	12711					1877	114	1.40					0.84	11309	1670	114	1.60					0.97	9738	1438	114	1.85	1.1	8661			1279	114	2.05			1.2	7605	1123	114	2.35	5.4	1740	257	15	0.90	GR99 GRF99	6P	6.0	1578	233			16	1.00	7.1		1327	196		17	1.15	2.7		3632	251.15		30			1.10	GR109 GRF109	8P	3.0					3326	229.95	31			1.20			3.4	2938			203.16			33	1.35	4.0	2493	172.34				34	1.60		3.6	2804	255.71	20	1.05	GR99 GRF99	4P	3.8			2646	241.25	21			1.10	4.2	2372			216.28			23	1.20	4.9	2043	186.30			25	1.40	5.5	1823	255.71	25	1.55	5.8	1720	241.25	26	1.65	6.5	1542	216.28	26	1.85	7.5	1328	186.30	26	2.20	8.2	1212	170.02	27	2.30	9.3	1075	150.78	27	2.70	11	904	126.75	27	3.20	12	830	116.48	27	3.40																																																																																																																																																																																																																																																							
1103	6.3	1.26	1.9	9.30			1.1kW							2.6	3684	544	31	1.15	GR99R59 GRF99R59	4P	0.25	37476	5534	128	1.0			0.28	33277	4914	128	1.1			0.32	29756	4394	128	1.2			0.35	26749	3950	128	1.4			0.41	23221	3429	128	1.6	0.45	20980			3098	128	1.7	0.48	19734			2914	128	1.9	0.52	18162	2682	128	2.0	0.61	15535	2294	128	2.4	0.65	14614	2158	128	2.5	0.76	12501	1846	128	2.9	0.53	17993	2657	114	1.00	GR179R99 GRF179R99	4P	3.2	2919	431	20	1.05			GR89R59 GRF89R59	4P	0.60	15799	2333					114	1.15	0.67					14120	2085	114					1.30	0.75	12711					1877	114	1.40					0.84	11309	1670					114	1.60	0.97	9738	1438	114	1.85			1.1	8661	1279	114	2.05	1.2	7605			1123	114	2.35	5.4	1740	257	15	0.90	GR99 GRF99	6P	6.0	1578	233	16	1.00			7.1	1327	196			17	1.15	2.7		3632	251.15		30	1.10	GR109 GRF109		8P	3.0		3326			229.95			31					1.20	3.4	2938			203.16			33	1.35	4.0	2493	172.34			34	1.60	3.6	2804	255.71		20	1.05	GR99 GRF99	4P		3.8	2646	241.25	21	1.10			4.2			2372	216.28	23			1.20	4.9	2043			186.30			25	1.40	5.5	1823	255.71	25	1.55	5.8	1720	241.25	26	1.65	6.5	1542	216.28	26	1.85	7.5	1328	186.30	26	2.20	8.2	1212	170.02	27	2.30	9.3	1075	150.78	27	2.70	11	904	126.75	27	3.20	12	830	116.48	27	3.40																																																																																																																																																																																																																																																														
1.1kW							2.6	3684	544	31	1.15	GR99R59 GRF99R59	4P																																																																																																																																																																																																																																																																																																																																																																																																																																																																																																																																																														
0.25	37476	5534	128	1.0	0.28	33277	4914	128	1.1	0.32	29756			4394	128	1.2	0.35	26749			3950	128	1.4	0.41	23221			3429	128	1.6	0.45	20980			3098	128	1.7	0.48	19734			2914	128	1.9	0.52	18162			2682	128	2.0	0.61	15535	2294	128	2.4	0.65	14614	2158	128	2.5	0.76	12501	1846	128	2.9	0.53	17993	2657	114	1.00	GR179R99 GRF179R99	4P	3.2	2919	431	20	1.05	GR89R59 GRF89R59	4P	0.60	15799	2333	114	1.15	0.67	14120	2085	114	1.30	0.75	12711			1877	114	1.40	0.84	11309					1670	114	1.60					0.97	9738	1438					114	1.85	1.1					8661	1279	114					2.05	1.2	7605			1123	114	2.35	5.4	1740	257	15			0.90	GR99 GRF99	6P	6.0	1578	233	16	1.00	7.1	1327	196	17	1.15	2.7	3632	251.15	30	1.10	GR109 GRF109	8P	3.0	3326	229.95	31	1.20	3.4			2938	203.16	33	1.35	4.0			2493	172.34	34			1.60	3.6	2804		255.71	20		1.05	GR99 GRF99				4P		3.8			2646			241.25	21			1.10	4.2	2372	216.28	23	1.20	4.9			2043	186.30	25	1.40	5.5	1823	255.71	25	1.55	5.8	1720	241.25	26	1.65	6.5			1542	216.28	26	1.85	7.5	1328			186.30			26	2.20	8.2			1212	170.02	27	2.30	9.3	1075	150.78	27	2.70	11	904	126.75	27	3.20	12	830	116.48	27	3.40																																																																																																																																																																																																																																																																																													
0.28	33277	4914	128	1.1	0.32	29756	4394	128	1.2	0.35	26749			3950	128	1.4	0.41	23221			3429	128	1.6	0.45	20980			3098	128	1.7	0.48	19734			2914	128	1.9	0.52	18162			2682	128	2.0	0.61	15535	2294	128	2.4	0.65	14614	2158	128	2.5	0.76	12501	1846	128	2.9	0.53	17993	2657	114	1.00	GR179R99 GRF179R99	4P	3.2	2919	431	20	1.05			GR89R59 GRF89R59	4P	0.60	15799	2333			114	1.15	0.67	14120	2085	114	1.30	0.75	12711	1877	114	1.40			0.84	11309	1670	114	1.60					0.97	9738	1438					114	1.85	1.1					8661	1279	114					2.05	1.2	7605			1123	114	2.35	5.4	1740			257	15	0.90	GR99 GRF99	6P	6.0	1578	233	16	1.00			7.1	1327	196	17	1.15	2.7	3632	251.15	30	1.10	GR109 GRF109	8P	3.0	3326	229.95			31	1.20	3.4	2938	203.16	33			1.35	4.0	2493	172.34	34			1.60	3.6	2804			255.71	20	1.05		GR99 GRF99	4P		3.8							2646			241.25	21	1.10	4.2	2372			216.28	23	1.20	4.9	2043	186.30	25	1.40	5.5	1823	255.71	25	1.55	5.8	1720	241.25	26	1.65	6.5	1542	216.28	26	1.85	7.5			1328	186.30	26	2.20	8.2	1212			170.02			27	2.30	9.3	1075	150.78	27	2.70	11	904	126.75	27	3.20	12	830	116.48	27	3.40																																																																																																																																																																																																																																																																																																				
0.32	29756	4394	128	1.2	0.35	26749	3950	128	1.4	0.41	23221			3429	128	1.6	0.45	20980			3098	128	1.7	0.48	19734			2914	128	1.9	0.52	18162			2682	128	2.0	0.61	15535	2294	128	2.4	0.65	14614	2158	128	2.5	0.76	12501	1846	128	2.9	0.53	17993	2657	114	1.00	GR179R99 GRF179R99	4P	3.2	2919	431	20	1.05			GR89R59 GRF89R59	4P	0.60	15799	2333					114	1.15	0.67			14120	2085	114	1.30	0.75	12711	1877	114	1.40	0.84	11309	1670			114	1.60	0.97	9738	1438					114	1.85	1.1					8661	1279	114					2.05	1.2	7605			1123	114	2.35	5.4	1740			257	15	0.90	GR99 GRF99	6P	6.0	1578	233	16	1.00			7.1	1327	196	17	1.15			2.7	3632	251.15	30	1.10	GR109 GRF109	8P	3.0	3326	229.95			31	1.20	3.4			2938	203.16	33	1.35	4.0	2493			172.34	34	1.60	3.6	2804			255.71	20	1.05			GR99 GRF99	4P	3.8					2646		241.25		21			1.10			4.2	2372	216.28	23	1.20	4.9	2043	186.30	25	1.40	5.5	1823	255.71	25	1.55	5.8	1720	241.25	26	1.65	6.5	1542	216.28	26	1.85	7.5	1328	186.30	26	2.20	8.2			1212	170.02	27	2.30	9.3	1075			150.78	27	2.70	11	904	126.75	27	3.20	12	830	116.48	27	3.40																																																																																																																																																																																																																																																																																																											
0.35	26749	3950	128	1.4	0.41	23221	3429	128	1.6	0.45	20980			3098	128	1.7	0.48	19734			2914	128	1.9	0.52	18162			2682	128	2.0	0.61	15535	2294	128	2.4	0.65	14614	2158	128	2.5	0.76	12501	1846	128	2.9	0.53	17993	2657	114	1.00	GR179R99 GRF179R99	4P	3.2	2919	431	20	1.05			GR89R59 GRF89R59	4P	0.60	15799	2333					114	1.15	0.67					14120	2085	114			1.30	0.75	12711	1877	114	1.40	0.84	11309	1670	114	1.60	0.97			9738	1438	114	1.85	1.1					8661	1279	114					2.05	1.2	7605			1123	114	2.35	5.4	1740			257	15	0.90	GR99 GRF99	6P	6.0	1578	233	16	1.00			7.1	1327	196	17	1.15			2.7	3632	251.15	30	1.10			GR109 GRF109	8P	3.0	3326	229.95			31	1.20	3.4			2938	203.16	33			1.35	4.0	2493	172.34	34	1.60			3.6	2804	255.71	20	1.05			GR99 GRF99	4P	3.8					2646					241.25		21		1.10			4.2	2372	216.28	23	1.20	4.9	2043	186.30	25	1.40	5.5	1823	255.71	25	1.55	5.8	1720	241.25	26	1.65	6.5	1542	216.28	26	1.85	7.5	1328	186.30	26	2.20	8.2	1212	170.02	27			2.30	9.3	1075	150.78	27	2.70	11	904	126.75	27	3.20	12	830	116.48	27	3.40																																																																																																																																																																																																																																																																																																																
0.41	23221	3429	128	1.6	0.45	20980	3098	128	1.7	0.48	19734			2914	128	1.9	0.52	18162			2682	128	2.0	0.61	15535	2294	128	2.4	0.65	14614	2158	128	2.5	0.76	12501	1846	128	2.9	0.53	17993	2657	114	1.00	GR179R99 GRF179R99	4P	3.2	2919	431	20	1.05			GR89R59 GRF89R59	4P	0.60	15799	2333					114	1.15	0.67					14120	2085	114					1.30	0.75	12711			1877	114	1.40	0.84	11309	1670	114	1.60	0.97	9738	1438	114			1.85	1.1	8661	1279	114					2.05	1.2	7605			1123	114	2.35	5.4	1740			257	15	0.90	GR99 GRF99	6P	6.0	1578	233	16	1.00			7.1	1327	196	17	1.15			2.7	3632	251.15	30	1.10			GR109 GRF109	8P	3.0	3326	229.95					31	1.20	3.4			2938	203.16	33			1.35	4.0	2493	172.34	34	1.60	3.6	2804	255.71	20	1.05			GR99 GRF99	4P	3.8	2646	241.25					21					1.10					4.2		2372	216.28	23		1.20	4.9	2043	186.30	25	1.40	5.5	1823	255.71	25	1.55	5.8	1720	241.25	26	1.65	6.5	1542	216.28	26	1.85	7.5	1328	186.30	26	2.20	8.2	1212	170.02	27	2.30	9.3	1075	150.78	27	2.70	11	904	126.75	27	3.20	12	830	116.48	27	3.40																																																																																																																																																																																																																																																																																																																							
0.45	20980	3098	128	1.7	0.48	19734	2914	128	1.9	0.52	18162			2682	128	2.0	0.61	15535	2294	128	2.4	0.65	14614	2158	128	2.5	0.76	12501	1846	128	2.9	0.53	17993	2657	114	1.00	GR179R99 GRF179R99	4P	3.2	2919	431	20	1.05			GR89R59 GRF89R59	4P	0.60	15799	2333					114	1.15	0.67					14120	2085	114					1.30	0.75	12711					1877	114	1.40			0.84	11309	1670	114	1.60	0.97	9738	1438	114	1.85	1.1	8661			1279	114	2.05	1.2	7605			1123	114	2.35	5.4	1740			257	15	0.90	GR99 GRF99	6P	6.0	1578	233	16	1.00			7.1	1327	196	17	1.15			2.7	3632	251.15	30	1.10			GR109 GRF109	8P	3.0	3326	229.95					31	1.20	3.4					2938	203.16	33			1.35	4.0	2493	172.34	34	1.60	3.6	2804	255.71	20	1.05	GR99 GRF99	4P	3.8	2646	241.25					21	1.10	4.2					2372					216.28	23			1.20	4.9		2043	186.30	25		1.40	5.5	1823	255.71	25	1.55	5.8	1720	241.25	26	1.65	6.5	1542	216.28	26	1.85	7.5	1328	186.30	26	2.20	8.2	1212	170.02	27	2.30	9.3	1075	150.78	27	2.70	11	904	126.75	27	3.20	12	830	116.48	27	3.40																																																																																																																																																																																																																																																																																																																												
0.48	19734	2914	128	1.9	0.52	18162	2682	128	2.0	0.61	15535	2294	128	2.4	0.65	14614	2158	128	2.5	0.76	12501	1846	128	2.9	0.53	17993	2657	114	1.00	GR179R99 GRF179R99	4P	3.2	2919	431	20	1.05			GR89R59 GRF89R59	4P	0.60	15799	2333					114	1.15	0.67					14120	2085	114					1.30	0.75	12711					1877	114	1.40					0.84	11309	1670			114	1.60	0.97	9738	1438	114	1.85	1.1	8661	1279	114	2.05			1.2	7605	1123	114	2.35			5.4	1740	257	15	0.90	GR99 GRF99	6P	6.0	1578	233			16	1.00	7.1	1327	196			17	1.15	2.7	3632	251.15			30	1.10	GR109 GRF109	8P	3.0					3326	229.95	31					1.20	3.4	2938					203.16	33	1.35	4.0	2493	172.34	34	1.60	3.6	2804	255.71	20	1.05	GR99 GRF99	4P	3.8			2646	241.25	21					1.10	4.2	2372					216.28	23	1.20			4.9	2043			186.30	25	1.40	5.5	1823	255.71	25	1.55	5.8	1720	241.25	26	1.65	6.5	1542	216.28	26	1.85	7.5	1328	186.30	26	2.20	8.2	1212	170.02	27	2.30	9.3	1075	150.78	27	2.70	11	904	126.75	27	3.20	12	830	116.48	27	3.40																																																																																																																																																																																																																																																																																																																																	
0.52	18162	2682	128	2.0	0.61	15535	2294	128	2.4	0.65	14614	2158	128	2.5	0.76	12501	1846	128	2.9	0.53	17993	2657	114	1.00	GR179R99 GRF179R99	4P	3.2	2919	431			20	1.05	GR89R59 GRF89R59	4P	0.60					15799	2333	114					1.15	0.67	14120					2085	114	1.30					0.75	12711	1877					114	1.40	0.84					11309	1670	114	1.60	0.97	9738	1438	114	1.85	1.1	8661	1279	114	2.05	1.2	7605	1123			114	2.35	5.4	1740	257	15	0.90	GR99 GRF99	6P	6.0	1578	233			16	1.00	7.1			1327	196	17	1.15	2.7			3632	251.15	30	1.10	GR109 GRF109			8P	3.0			3326					229.95	31	1.20					3.4	2938	203.16			33	1.35	4.0	2493	172.34	34	1.60	3.6	2804	255.71	20	1.05	GR99 GRF99	4P	3.8			2646			241.25	21	1.10					4.2	2372	216.28	23	1.20			4.9	2043	186.30			25	1.40	5.5	1823	255.71	25	1.55	5.8	1720	241.25	26	1.65	6.5	1542	216.28	26	1.85	7.5	1328	186.30	26	2.20	8.2	1212	170.02	27	2.30	9.3	1075	150.78	27	2.70	11	904	126.75	27	3.20	12	830	116.48	27	3.40																																																																																																																																																																																																																																																																																																																																						
0.61	15535	2294	128	2.4	0.65	14614	2158	128	2.5	0.76	12501	1846	128	2.9	0.53	17993	2657	114	1.00	GR179R99 GRF179R99	4P	3.2	2919	431			20	1.05	GR89R59 GRF89R59			4P	0.60			15799					2333	114	1.15					0.67	14120	2085					114	1.30	0.75					12711	1877	114					1.40	0.84	11309			1670	114	1.60	0.97	9738	1438	114	1.85	1.1	8661	1279	114	2.05	1.2	7605	1123	114	2.35	5.4	1740	257	15	0.90	GR99 GRF99	6P	6.0	1578	233			16	1.00	7.1			1327	196	17			1.15	2.7	3632	251.15	30			1.10	GR109 GRF109	8P	3.0					3326			229.95					31	1.20	3.4			2938	203.16	33	1.35	4.0			2493	172.34	34	1.60	3.6	2804	255.71	20	1.05	GR99 GRF99	4P	3.8			2646			241.25			21	1.10	4.2	2372	216.28			23	1.20	4.9	2043	186.30			25	1.40	5.5	1823	255.71	25	1.55	5.8	1720	241.25	26	1.65	6.5	1542	216.28	26	1.85	7.5	1328	186.30	26	2.20	8.2	1212	170.02	27	2.30	9.3	1075	150.78	27	2.70	11	904	126.75	27	3.20	12	830	116.48	27	3.40																																																																																																																																																																																																																																																																																																																																											
0.65	14614	2158	128	2.5	0.76	12501	1846	128	2.9	0.53	17993	2657	114	1.00	GR179R99 GRF179R99	4P	3.2	2919	431			20	1.05	GR89R59 GRF89R59			4P	0.60					15799			2333					114	1.15	0.67					14120	2085	114					1.30	0.75	12711					1877	114	1.40			0.84	11309	1670	114	1.60			0.97	9738	1438	114	1.85	1.1	8661	1279	114	2.05	1.2	7605	1123	114	2.35	5.4	1740	257	15	0.90	GR99 GRF99	6P	6.0			1578	233	16			1.00	7.1	1327			196	17	1.15			2.7	3632	251.15	30	1.10			GR109 GRF109			8P					3.0			3326			229.95	31	1.20	3.4	2938			203.16	33	1.35	4.0	2493			172.34	34	1.60	3.6	2804	255.71	20	1.05	GR99 GRF99			4P			3.8			2646			241.25	21	1.10	4.2	2372			216.28	23	1.20	4.9	2043	186.30	25	1.40	5.5	1823	255.71	25	1.55	5.8	1720	241.25	26	1.65	6.5	1542	216.28	26	1.85	7.5	1328	186.30	26	2.20	8.2	1212	170.02	27	2.30	9.3	1075	150.78	27	2.70	11	904	126.75	27	3.20	12	830	116.48	27	3.40																																																																																																																																																																																																																																																																																																																																												
0.76	12501	1846	128	2.9	0.53	17993	2657	114	1.00	GR179R99 GRF179R99	4P	3.2	2919	431			20	1.05	GR89R59 GRF89R59			4P	0.60					15799					2333			114					1.15	0.67	14120					2085	114	1.30					0.75	12711	1877			114	1.40	0.84	11309	1670			114	1.60	0.97	9738	1438	114	1.85	1.1	8661	1279	114	2.05	1.2	7605	1123	114	2.35	5.4	1740	257	15	0.90	GR99 GRF99	6P	6.0	1578	233			16			1.00	7.1	1327			196	17	1.15			2.7	3632	251.15			30	1.10	GR109 GRF109	8P	3.0											3326	229.95	31	1.20			3.4	2938	203.16	33	1.35			4.0	2493	172.34	34	1.60	3.6	2804	255.71	20	1.05	GR99 GRF99	4P	3.8	2646	241.25							21			1.10			4.2	2372	216.28	23	1.20	4.9	2043	186.30	25	1.40	5.5	1823	255.71	25	1.55	5.8	1720	241.25	26	1.65	6.5	1542	216.28	26	1.85	7.5	1328	186.30	26	2.20	8.2	1212	170.02	27	2.30	9.3	1075	150.78	27	2.70	11	904	126.75	27	3.20	12	830	116.48	27	3.40																																																																																																																																																																																																																																																																																																																																																	
0.53	17993	2657	114	1.00	GR179R99 GRF179R99	4P	3.2	2919	431			20	1.05	GR89R59 GRF89R59			4P																																																																																																																																																																																																																																																																																																																																																																																																																																																																																																																																																										
0.60	15799	2333	114	1.15			0.67	14120	2085			114	1.30					0.75					12711					1877					114			1.40					0.84	11309	1670			114	1.60	0.97	9738	1438			114	1.85	1.1	8661	1279	114	2.05	1.2	7605	1123	114	2.35	5.4	1740	257	15	0.90	GR99 GRF99	6P	6.0	1578	233	16	1.00	7.1	1327	196	17	1.15	2.7	3632	251.15	30	1.10	GR109 GRF109	8P			3.0	3326	229.95			31			1.20	3.4	2938			203.16	33	1.35			4.0	2493	172.34			34	1.60			3.6				2804	255.71		20			1.05	GR99 GRF99	4P	3.8	2646	241.25	21	1.10	4.2	2372	216.28	23	1.20	4.9	2043	186.30	25	1.40	5.5	1823	255.71	25	1.55	5.8			1720	241.25	26							1.65	6.5	1542	216.28	26	1.85	7.5	1328	186.30	26	2.20	8.2	1212	170.02	27	2.30	9.3	1075	150.78	27	2.70	11	904	126.75	27	3.20	12	830	116.48	27	3.40																																																																																																																																																																																																																																																																																																																																																																										
0.67	14120	2085	114	1.30			0.75	12711	1877			114	1.40					0.84					11309					1670					114			1.60			0.97	9738	1438	114	1.85			1.1	8661	1279	114	2.05	1.2	7605	1123	114	2.35	5.4	1740	257	15	0.90	GR99 GRF99	6P	6.0	1578	233	16	1.00	7.1	1327			196	17	1.15	2.7	3632	251.15	30	1.10	GR109 GRF109	8P	3.0	3326	229.95	31	1.20					3.4	2938	203.16			33			1.35	4.0	2493			172.34	34	1.60			3.6	2804	255.71			20	1.05			GR99 GRF99			4P	3.8	2646	241.25	21	1.10	4.2	2372			216.28	23	1.20	4.9	2043	186.30	25	1.40	5.5	1823	255.71	25	1.55	5.8	1720	241.25	26	1.65	6.5	1542	216.28			26	1.85	7.5					1328	186.30	26	2.20	8.2	1212	170.02	27	2.30	9.3	1075	150.78	27	2.70	11	904	126.75	27	3.20	12	830	116.48	27	3.40																																																																																																																																																																																																																																																																																																																																																																																			
0.75	12711	1877	114	1.40			0.84	11309	1670			114	1.60					0.97					9738					1438					114	1.85	1.1	8661			1279	114	2.05	1.2	7605	1123	114	2.35	5.4	1740	257	15	0.90	GR99 GRF99	6P	6.0	1578	233	16	1.00	7.1	1327			196	17	1.15	2.7	3632	251.15	30			1.10	GR109 GRF109	8P	3.0	3326	229.95	31	1.20			3.4	2938	203.16	33	1.35					4.0	2493	172.34			34			1.60	3.6	2804			255.71	20	1.05			GR99 GRF99	4P	3.8			2646	241.25	21	1.10		4.2	2372		216.28	23	1.20	4.9	2043	186.30	25			1.40	5.5	1823	255.71	25	1.55	5.8	1720	241.25	26	1.65	6.5	1542	216.28	26	1.85	7.5	1328	186.30	26	2.20			8.2	1212	170.02		27	2.30		9.3	1075	150.78	27	2.70	11	904	126.75	27	3.20	12	830	116.48	27	3.40																																																																																																																																																																																																																																																																																																																																																																																												
0.84	11309	1670	114	1.60			0.97	9738	1438			114	1.85					1.1					8661					1279	114			2.05	1.2	7605	1123	114	2.35	5.4	1740	257	15	0.90	GR99 GRF99	6P	6.0	1578	233	16	1.00	7.1	1327			196	17	1.15	2.7	3632	251.15	30			1.10	GR109 GRF109	8P	3.0	3326	229.95	31			1.20			3.4	2938	203.16	33	1.35			4.0	2493	172.34	34	1.60					3.6	2804	255.71			20			1.05	GR99 GRF99	4P			3.8	2646	241.25					21	1.10	4.2	2372	216.28	23	1.20		4.9	2043		186.30	25	1.40	5.5	1823	255.71	25			1.55	5.8	1720	241.25	26	1.65	6.5	1542	216.28	26	1.85	7.5	1328	186.30	26	2.20	8.2	1212	170.02	27	2.30			9.3	1075	150.78	27	2.70	11	904	126.75	27	3.20	12	830	116.48	27	3.40																																																																																																																																																																																																																																																																																																																																																																																																			
0.97	9738	1438	114	1.85			1.1	8661	1279			114	2.05					1.2					7605	1123			114	2.35	5.4	1740	257	15	0.90	GR99 GRF99	6P	6.0	1578	233	16	1.00	7.1	1327			196	17	1.15	2.7	3632	251.15	30			1.10	GR109 GRF109	8P	3.0	3326	229.95	31			1.20			3.4	2938	203.16	33			1.35			4.0	2493	172.34	34	1.60			3.6	2804	255.71	20	1.05	GR99 GRF99	4P			3.8	2646	241.25			21			1.10					4.2	2372	216.28	23	1.20			4.9	2043	186.30	25	1.40	5.5	1823		255.71	25		1.55	5.8	1720	241.25	26	1.65	6.5			1542	216.28	26	1.85	7.5	1328	186.30	26	2.20	8.2	1212	170.02	27	2.30	9.3	1075	150.78	27	2.70	11	904	126.75	27	3.20	12	830	116.48	27	3.40																																																																																																																																																																																																																																																																																																																																																																																																												
1.1	8661	1279	114	2.05			1.2	7605	1123			114	2.35					5.4	1740			257	15	0.90	GR99 GRF99	6P	6.0	1578	233	16	1.00	7.1	1327			196	17	1.15	2.7	3632	251.15	30			1.10	GR109 GRF109	8P	3.0	3326	229.95	31			1.20			3.4	2938	203.16	33			1.35			4.0	2493	172.34	34			1.60			3.6	2804	255.71	20	1.05	GR99 GRF99	4P	3.8	2646	241.25	21	1.10					4.2	2372	216.28			23			1.20			4.9	2043	186.30	25	1.40	5.5	1823			255.71	25	1.55	5.8	1720	241.25	26		1.65	6.5		1542	216.28	26	1.85	7.5	1328	186.30			26	2.20	8.2	1212	170.02	27	2.30	9.3	1075	150.78	27	2.70	11	904	126.75	27	3.20	12	830	116.48	27	3.40																																																																																																																																																																																																																																																																																																																																																																																																																			
1.2	7605	1123	114	2.35			5.4	1740	257			15	0.90	GR99 GRF99			6P	6.0	1578	233	16	1.00	7.1	1327			196	17	1.15	2.7	3632	251.15	30			1.10	GR109 GRF109	8P	3.0	3326	229.95	31			1.20			3.4	2938	203.16	33			1.35			4.0	2493	172.34	34			1.60			3.6	2804	255.71	20			1.05	GR99 GRF99	4P	3.8	2646	241.25	21	1.10			4.2	2372	216.28	23	1.20					4.9	2043	186.30			25	1.40	5.5	1823			255.71	25	1.55	5.8	1720	241.25	26			1.65	6.5	1542	216.28	26	1.85	7.5		1328	186.30		26	2.20	8.2	1212	170.02	27	2.30	9.3	1075	150.78	27	2.70	11	904	126.75	27	3.20	12	830	116.48	27	3.40																																																																																																																																																																																																																																																																																																																																																																																																																												
5.4	1740	257	15	0.90			GR99 GRF99	6P	6.0			1578	233		16	1.00		7.1	1327	196	17	1.15	2.7	3632			251.15	30	1.10	GR109 GRF109	8P	3.0	3326			229.95			31	1.20	3.4	2938			203.16			33	1.35	4.0	2493			172.34			34	1.60	3.6	2804			255.71	20	1.05	GR99 GRF99	4P	3.8	2646			241.25			21	1.10	4.2	2372	216.28			23	1.20	4.9	2043	186.30					25	1.40	5.5	1823	255.71	25	1.55	5.8	1720			241.25	26	1.65	6.5	1542	216.28	26			1.85	7.5	1328	186.30	26	2.20	8.2	1212	170.02	27	2.30	9.3	1075	150.78	27	2.70	11	904	126.75	27	3.20	12	830	116.48	27	3.40																																																																																																																																																																																																																																																																																																																																																																																																																																			
6.0	1578	233	16	1.00					7.1	1327	196	17	1.15		2.7	3632		251.15	30	1.10	GR109 GRF109	8P	3.0	3326			229.95	31	1.20			3.4	2938			203.16			33	1.35	4.0	2493			172.34			34	1.60	3.6	2804			255.71	20	1.05	GR99 GRF99	4P	3.8	2646			241.25	21	1.10			4.2	2372			216.28			23	1.20	4.9	2043	186.30			25	1.40	5.5	1823	255.71			25	1.55	5.8	1720	241.25	26	1.65	6.5	1542	216.28	26			1.85	7.5	1328	186.30	26	2.20	8.2	1212	170.02	27	2.30	9.3	1075	150.78	27	2.70	11	904	126.75	27	3.20	12	830	116.48	27	3.40																																																																																																																																																																																																																																																																																																																																																																																																																																												
7.1	1327	196	17	1.15	2.7	3632			251.15	30	1.10	GR109 GRF109	8P		3.0	3326		229.95	31	1.20			3.4	2938			203.16	33	1.35			4.0	2493			172.34			34	1.60	3.6	2804			255.71	20	1.05	GR99 GRF99	4P	3.8	2646			241.25	21	1.10			4.2	2372			216.28	23	1.20			4.9	2043			186.30			25	1.40	5.5	1823	255.71			25	1.55	5.8	1720	241.25			26	1.65	6.5	1542	216.28	26	1.85	7.5	1328	186.30	26	2.20	8.2	1212	170.02	27	2.30	9.3	1075	150.78	27	2.70	11	904	126.75	27	3.20	12	830	116.48	27	3.40																																																																																																																																																																																																																																																																																																																																																																																																																																																			
2.7	3632	251.15	30	1.10	GR109 GRF109	8P			3.0	3326	229.95				31	1.20		3.4	2938	203.16			33	1.35			4.0	2493	172.34			34	1.60			3.6	2804	255.71	20	1.05	GR99 GRF99	4P			3.8	2646	241.25			21	1.10			4.2	2372	216.28			23	1.20			4.9	2043	186.30			25	1.40	5.5	1823	255.71			25	1.55	5.8	1720	241.25			26	1.65	6.5	1542	216.28	26	1.85	7.5	1328	186.30	26	2.20	8.2	1212	170.02	27	2.30	9.3	1075	150.78	27	2.70	11	904	126.75	27	3.20	12	830	116.48	27	3.40																																																																																																																																																																																																																																																																																																																																																																																																																																																										
3.0	3326	229.95	31	1.20					3.4	2938	203.16				33	1.35		4.0	2493	172.34			34	1.60			3.6	2804	255.71	20	1.05	GR99 GRF99	4P			3.8	2646	241.25	21	1.10					4.2	2372	216.28			23	1.20			4.9	2043	186.30			25	1.40	5.5	1823	255.71	25	1.55			5.8	1720	241.25	26	1.65			6.5	1542	216.28	26	1.85	7.5	1328	186.30	26	2.20	8.2	1212	170.02	27	2.30	9.3	1075	150.78	27	2.70	11	904	126.75	27	3.20	12	830	116.48	27	3.40																																																																																																																																																																																																																																																																																																																																																																																																																																																																			
3.4	2938	203.16	33	1.35					4.0	2493	172.34				34	1.60		3.6	2804	255.71	20	1.05	GR99 GRF99	4P			3.8	2646	241.25	21	1.10					4.2	2372	216.28	23	1.20					4.9	2043	186.30			25	1.40	5.5	1823	255.71	25	1.55			5.8	1720	241.25	26	1.65	6.5	1542			216.28	26	1.85	7.5	1328	186.30	26	2.20	8.2	1212	170.02	27	2.30	9.3	1075	150.78	27	2.70	11	904	126.75	27	3.20	12	830	116.48	27	3.40																																																																																																																																																																																																																																																																																																																																																																																																																																																																												
4.0	2493	172.34	34	1.60					3.6	2804	255.71	20	1.05		GR99 GRF99	4P		3.8	2646	241.25	21	1.10					4.2	2372	216.28	23	1.20					4.9	2043	186.30	25	1.40			5.5	1823	255.71	25	1.55			5.8	1720	241.25	26	1.65	6.5	1542			216.28	26	1.85	7.5	1328	186.30	26	2.20	8.2	1212	170.02	27	2.30	9.3	1075	150.78	27	2.70	11	904	126.75	27	3.20	12	830	116.48	27	3.40																																																																																																																																																																																																																																																																																																																																																																																																																																																																																					
3.6	2804	255.71	20	1.05	GR99 GRF99	4P			3.8	2646	241.25	21	1.10					4.2	2372	216.28	23	1.20					4.9	2043	186.30	25	1.40			5.5	1823	255.71	25	1.55	5.8	1720			241.25	26	1.65	6.5	1542			216.28	26	1.85	7.5	1328	186.30	26	2.20	8.2	1212	170.02	27	2.30	9.3	1075	150.78	27	2.70	11	904	126.75	27	3.20	12	830	116.48	27	3.40																																																																																																																																																																																																																																																																																																																																																																																																																																																																																														
3.8	2646	241.25	21	1.10					4.2	2372	216.28	23	1.20					4.9	2043	186.30	25	1.40			5.5	1823	255.71	25	1.55	5.8	1720			241.25	26	1.65	6.5	1542	216.28	26			1.85	7.5	1328	186.30	26	2.20	8.2	1212	170.02	27	2.30	9.3	1075	150.78	27	2.70	11	904	126.75	27	3.20	12	830	116.48	27	3.40																																																																																																																																																																																																																																																																																																																																																																																																																																																																																																							
4.2	2372	216.28	23	1.20					4.9	2043	186.30	25	1.40	5.5			1823	255.71	25	1.55	5.8	1720			241.25	26	1.65	6.5	1542	216.28	26			1.85	7.5	1328	186.30	26	2.20	8.2	1212	170.02	27	2.30	9.3	1075	150.78	27	2.70	11	904	126.75	27	3.20	12	830	116.48	27	3.40																																																																																																																																																																																																																																																																																																																																																																																																																																																																																																																
4.9	2043	186.30	25	1.40			5.5	1823	255.71	25	1.55	5.8	1720	241.25			26	1.65	6.5	1542	216.28	26			1.85	7.5	1328	186.30	26	2.20	8.2	1212	170.02	27	2.30	9.3	1075	150.78	27	2.70	11	904	126.75	27	3.20	12	830	116.48	27	3.40																																																																																																																																																																																																																																																																																																																																																																																																																																																																																																																									
5.5	1823	255.71	25	1.55			5.8	1720	241.25	26	1.65	6.5	1542	216.28			26	1.85	7.5	1328	186.30	26	2.20	8.2	1212	170.02	27	2.30	9.3	1075	150.78	27	2.70	11	904	126.75	27	3.20	12	830	116.48	27	3.40																																																																																																																																																																																																																																																																																																																																																																																																																																																																																																																																
5.8	1720	241.25	26	1.65			6.5	1542	216.28	26	1.85	7.5	1328	186.30	26	2.20	8.2	1212	170.02	27	2.30	9.3	1075	150.78	27	2.70	11	904	126.75	27	3.20	12	830	116.48	27	3.40																																																																																																																																																																																																																																																																																																																																																																																																																																																																																																																																							
6.5	1542	216.28	26	1.85	7.5	1328	186.30	26	2.20	8.2	1212	170.02	27	2.30	9.3	1075	150.78	27	2.70	11	904	126.75	27	3.20	12	830	116.48	27	3.40																																																																																																																																																																																																																																																																																																																																																																																																																																																																																																																																														
7.5	1328	186.30	26	2.20	8.2	1212	170.02	27	2.30	9.3	1075	150.78	27	2.70	11	904	126.75	27	3.20	12	830	116.48	27	3.40																																																																																																																																																																																																																																																																																																																																																																																																																																																																																																																																																			
8.2	1212	170.02	27	2.30	9.3	1075	150.78	27	2.70	11	904	126.75	27	3.20	12	830	116.48	27	3.40																																																																																																																																																																																																																																																																																																																																																																																																																																																																																																																																																								
9.3	1075	150.78	27	2.70	11	904	126.75	27	3.20	12	830	116.48	27	3.40																																																																																																																																																																																																																																																																																																																																																																																																																																																																																																																																																													
11	904	126.75	27	3.20	12	830	116.48	27	3.40																																																																																																																																																																																																																																																																																																																																																																																																																																																																																																																																																																		
12	830	116.48	27	3.40																																																																																																																																																																																																																																																																																																																																																																																																																																																																																																																																																																							

选型参数表
(恒功率) 1.1kW
Selection Table
(Constant Power) 1.1kW

n_a [r/min]	M_a [Nm]	i	F_{Ra} [kN]	f_B	机型号 Type size	极数 Pole	n_a [r/min]	M_a [Nm]	i	F_{Ra} [kN]	f_B	机型号 Type size	极数 Pole						
1.1kW							1.1kW												
6.4	1550	217.48	16	0.95	GR89 GRF89	4P	60	166	23.28	4.1	1.70	GR49 GRF49	4P						
6.8	1473	206.6	16	1.00															
7.7	1301	182.55	17	1.15															
9.0	1112	156.01	18	1.35															
9.8	1020	143.03	19	1.45															
11	895	125.51	19	1.65															
12	848	118.94	19	1.75															
13	742	104.1	19	2.00															
15	669	93.78	19	2.20															
17	586	82.27	19	2.50															
19	520	72.88	19	2.80															
22	456	63.96	19	3.20															
23	432	60.61	19	3.40															
26	378	53.05	19	3.90															
12	866	121.42	8.5	0.90	GR79 GRF79	4P	43	224	32.40	2.8	0.80	GR39 GRF39	4P						
14	734	102.99	10	1.05															
15	663	92.97	10	1.20															
17	583	81.80	11	1.35															
18	551	77.24	11	1.40															
21	469	65.77	11	1.65															
24	411	57.68	12	1.90															
27	371	52.07	12	2.10															
31	327	45.81	12	2.40															
32	308	43.26	12	2.50															
38	263	36.83	12	3.00															
42	239	33.47	12	3.30															
16	614	86.11	6.5	0.95			GR69 GRF69	4P	72	134	19.35			2.3	0.90	GR29 GRF29	4P		
19	529	74.17	7.6	1.10															
20	497	69.75	8.0	1.15															
23	437	61.26	8.5	1.30															
25	406	56.89	8.7	1.40															
27	368	51.56	8.9	1.55															
30	330	46.29	9.2	1.75															
35	284	39.88	9.4	1.95															
37	267	37.50	9.5	2.00															
43	230	32.27	10	2.20															
49	206	28.83	10	2.40															
50	201	28.13	10	2.60	GR69 GRF69	4P			77	125	18.08	2.3	0.95	GR29 GRF29	4P				
52	190	26.72	10	2.70															
60	167	23.44	9.2	3.20															
70	142	19.89	8.8	4.00															
20	493	69.23	5.7	0.85	GR59 GRF59	4P	90	108	15.63	2.2	1.10	GR29 GRF29	4P						
22	462	64.85	6.5	0.90															
24	408	57.29	6.4	1.05															
26	379	53.22	6.3	1.15															
29	344	48.23	6.2	1.25															
32	309	43.30	6.0	1.40															
38	266	37.30	5.8	1.60															
40	250	35.07	5.8	1.70															
46	215	30.18	5.6	2.00															
52	192	26.97	5.4	2.20															
53	188	26.31	5.4	2.30			GR59 GRF59	4P	105	92	13.28			2.2	1.30	GR29 GRF29	4P		
56	178	24.99	5.3	2.40															
64	156	21.93	5.1	2.70															
75	133	18.60	4.9	3.20															
83	120	16.79	4.8	3.60	GR49 GRF49	4P	118	82	11.86	2.1	1.45	GR29 GRF29	2P						
29	340	47.75	3.3	0.85															
33	306	42.87	4.6	0.95															
38	263	36.93	4.5	1.10															
40	248	34.73	4.4	1.15															
47	213	29.88	4.3	1.35															
52	190	26.70	4.2	1.50															
61	163	22.81	4.1	1.70															
213	45	13.28	1.9	2.50			GR19 GRF19	2P	138	70	10.13			2.1	1.60			GR19 GRF19	2P
239	41	11.86	1.8	2.80															
279	35	10.13	1.7	3.10															
301	32	9.41	1.7	3.30															
347	28	8.16	1.6	3.70															
371	26	7.63	1.6	3.80															
429	23	6.59	1.5	4.10															
505	19	5.60	1.5	4.50															
566	17	5.00	1.4	4.90															
663	15	4.27	1.4	5.20															
708	14	4.00	1.3	5.40															
840	12	3.37	1.3	6.00															
144	67	19.71	1.1	1.10	GR19 GRF19	2P			144	67	19.71	1.1	1.10	GR19 GRF19	2P				
167	58	16.99	1.1	1.30															
179	54	15.84	1.1	1.40															
204	47	13.84	1.1	1.60															
218	44	12.98	1.1	1.70															
247	39	11.45	1.0	1.80															
279	35	10.15	1.0	1.95															
328	29	8.63	1.0	2.10															
375	26	7.55	0.9	1.90															
402	24	7.04	0.9	2.00															
460	21	6.15	0.9	2.30															
491	20	5.76	0.9	2.40															
556	17	5.09	0.9	2.60															
627	15	4.51	0.8	2.70															
739	13	3.83	0.8	3.00															

选型参数表

(恒功率) 1.1kW-1.5kW

Selection Table

(Constant Power) 1.1kW-1.5kW

n_a [r/min]	M_a [Nm]	i	F_{Ra} [kN]	f_B	机型号 Type size	极数 Pole	n_a [r/min]	M_a [Nm]	i	F_{Ra} [kN]	f_B	机型号 Type size	极数 Pole																																																																																																																																																																																																																																																																																																																																																																																																																																																																						
1.1kW							1.5kW																																																																																																																																																																																																																																																																																																																																																																																																																																																																												
249	41	5.63	5.4	2.60	GRX79 GRXF79	4P	1.3	9632	1043	39	0.80	GR139R79 GRF139R79	4P																																																																																																																																																																																																																																																																																																																																																																																																																																																																						
262	39	5.35	5.3	2.60			296	35	4.73	5.1	3.50			201	51	4.53	3.9	1.60	GRX69 GRXF69	6P	2.0	6455	699	53	1.25	212	48	4.30	3.9	1.65	241	42	3.77	3.7	2.00	309	33	4.53	3.5	2.40	GRX69 GRXF69	4P	2.3	5624	609	55	1.40	326	31	4.30	3.4	2.50	371	28	3.77	3.3	3.10	438	23	3.20	3.1	4.20	484	21	2.89	3.0	4.90	551	19	2.54	2.9	6.20	583	18	2.40	2.9	6.80	686	15	2.04	2.7	8.80	753	14	1.86	2.6	9.10	870	12	1.61	2.5	9.40	1000	10	1.40	2.4	9.90	240	43	3.79	3.0	1.60	GRX59 GRXF59	6P	1.3	1006	1090	31	0.80	256	40	3.55	2.9	1.70	290	35	3.14	2.8	1.80	313	33	2.91	2.8	2.00	345	30	2.64	2.7	2.30	369	28	3.79	2.6	2.40	GRX59 GRXF59	4P	1.5	8782	951	48	0.90	394	26	3.55	2.6	2.60	446	23	3.14	2.5	2.80	481	21	2.91	2.4	3.10	530	19	2.64	2.4	3.50	591	17	2.37	2.3	3.90	686	15	2.04	2.2	4.50	729	14	1.92	2.2	4.80	848	12	1.65	2.1	5.60	946	11	1.48	2.0	6.10	1111	9.2	1.26	1.9	6.40	0.32	40576	4394	128	0.9	GR179R99 GRF179R99	4P	1.3	1006	1090	31	0.80	0.35	36476	3950	128	1.0	0.41	31665	3429	128	1.2	0.45	28609	3098	128	1.3	0.48	26909	2914	128	1.4	0.52	24767	2682	128	1.5	0.61	21184	2294	128	1.7	0.65	19928	2158	128	1.8	0.76	17047	1846	128	2.1	1.0	13252	1435	128	2.8	1.2	10980	1189	128	3.3	0.60	21544	2333	114	0.85	GR169R99 GRF169R99	4P	1.5	8782	951	48	0.90	0.67	19254	2085	114	0.95	0.75	17333	1877	114	1.05	0.84	15422	1670	114	1.15	0.97	13279	1438	114	1.35	1.1	11811	1279	114	1.50	1.2	10370	1123	114	1.75	1.4	9225	999	114	1.95	3.3	3934	426	70	3.30	GR149R99 GRF149R99	4P	1.7	7674	831	51	1.05	3.8	3398	368	70	3.90	0.82	15745	1705	39	0.85	GR149R99 GRF149R99	4P	1.9	6741	730	53	1.20	0.91	14184	1536	57	0.90	1.1	12273	1329	61	1.05	1.2	10767	1166	63	1.20	1.4	9502	1029	65	1.35	1.6	8209	889	67	1.60	1.8	7240	784	68	1.85	2.0	6418	695	68	2.05	2.3	5716	619	69	2.30	2.5	5153	558	69	2.55	7.7	1775	182.55	11	0.95	9.0	1517	156.01	16	1.00	9.8	1390	143.03	17	1.05	11	1220	125.51	18	1.20	12	1156	118.94	18	1.30	13	1012	104.10	19	1.45	15	912	93.78	19	1.65	17	800	82.27	19	1.85	19	708	72.88	19	2.10	22	622	63.96	19	2.40	23	589	60.61	19	2.50	26	516	53.05	19	2.90	29	465	47.79	19	3.20	33	407	41.92	19	3.70	38	360	37.00	19	4.10																		
296	35	4.73	5.1	3.50	201	51	4.53	3.9	1.60	GRX69 GRXF69	6P			2.0	6455	699	53	1.25			212	48	4.30	3.9	1.65	241	42	3.77	3.7	2.00	309	33	4.53	3.5	2.40	GRX69 GRXF69	4P	2.3	5624	609			55	1.40	326	31	4.30	3.4	2.50	371	28	3.77	3.3	3.10	438	23	3.20	3.1	4.20	484	21	2.89	3.0	4.90	551	19	2.54	2.9	6.20	583	18	2.40	2.9	6.80	686	15	2.04	2.7	8.80	753	14	1.86	2.6	9.10	870	12	1.61	2.5	9.40	1000	10	1.40	2.4	9.90	240	43	3.79	3.0	1.60	GRX59 GRXF59	6P	1.3			1006	1090	31	0.80	256	40	3.55	2.9	1.70	290	35	3.14	2.8	1.80	313	33	2.91	2.8	2.00	345	30	2.64	2.7	2.30	369	28	3.79	2.6	2.40	GRX59 GRXF59			4P	1.5	8782	951	48	0.90	394	26	3.55	2.6	2.60	446	23	3.14	2.5	2.80	481	21	2.91	2.4	3.10	530	19	2.64	2.4	3.50	591	17	2.37	2.3	3.90	686	15	2.04	2.2	4.50	729	14	1.92	2.2	4.80	848	12	1.65	2.1	5.60	946	11	1.48	2.0	6.10	1111	9.2	1.26	1.9	6.40	0.32	40576	4394	128			0.9	GR179R99 GRF179R99	4P	1.3	1006	1090	31	0.80	0.35	36476	3950	128	1.0	0.41	31665	3429	128	1.2	0.45	28609	3098	128	1.3	0.48	26909	2914	128	1.4	0.52	24767	2682	128	1.5	0.61	21184	2294	128	1.7	0.65	19928	2158	128	1.8	0.76	17047	1846	128	2.1	1.0	13252	1435	128	2.8	1.2	10980	1189	128	3.3	0.60	21544			2333	114	0.85	GR169R99 GRF169R99	4P	1.5	8782	951	48	0.90	0.67	19254	2085	114	0.95	0.75	17333	1877	114	1.05	0.84	15422	1670	114	1.15	0.97	13279	1438	114	1.35	1.1	11811	1279	114	1.50	1.2	10370	1123	114	1.75	1.4	9225	999	114	1.95			3.3	3934	426	70	3.30	GR149R99 GRF149R99	4P	1.7	7674	831	51	1.05	3.8	3398	368			70	3.90	0.82	15745	1705	39	0.85	GR149R99 GRF149R99	4P	1.9	6741	730	53	1.20	0.91	14184	1536	57	0.90	1.1	12273	1329	61	1.05	1.2	10767	1166	63	1.20	1.4	9502	1029	65	1.35	1.6	8209	889	67	1.60	1.8	7240	784	68	1.85	2.0	6418	695	68	2.05	2.3	5716	619	69	2.30	2.5	5153	558	69	2.55	7.7	1775	182.55	11	0.95	9.0	1517	156.01	16	1.00	9.8	1390	143.03	17	1.05	11	1220	125.51	18	1.20	12	1156	118.94	18	1.30	13	1012	104.10	19	1.45	15	912	93.78	19	1.65	17	800	82.27	19	1.85	19	708	72.88	19	2.10	22	622	63.96	19	2.40	23	589	60.61	19	2.50	26	516	53.05	19	2.90	29	465	47.79	19	3.20	33	407	41.92	19	3.70	38	360	37.00	19	4.10									
201	51	4.53	3.9	1.60	GRX69 GRXF69	6P	2.0	6455	699			53	1.25	212	48	4.30	3.9	1.65	241	42	3.77	3.7	2.00	309	33	4.53	3.5	2.40	GRX69 GRXF69	4P	2.3	5624	609	55	1.40			326	31	4.30			3.4	2.50	371	28	3.77	3.3	3.10	438	23	3.20	3.1	4.20	484	21	2.89	3.0	4.90	551	19	2.54	2.9	6.20	583	18	2.40	2.9	6.80	686	15	2.04	2.7	8.80	753	14	1.86	2.6	9.10	870	12	1.61	2.5	9.40	1000	10	1.40	2.4	9.90	240	43	3.79	3.0	1.60	GRX59 GRXF59	6P	1.3	1006	1090			31			0.80	256	40	3.55	2.9	1.70	290	35	3.14	2.8	1.80	313	33	2.91	2.8	2.00	345	30	2.64	2.7	2.30	369	28	3.79	2.6	2.40	GRX59 GRXF59	4P	1.5					8782	951	48	0.90	394	26	3.55	2.6	2.60	446	23	3.14	2.5	2.80	481	21	2.91	2.4	3.10	530	19	2.64	2.4	3.50	591	17	2.37	2.3	3.90	686	15	2.04	2.2	4.50	729	14	1.92	2.2	4.80	848	12	1.65	2.1	5.60	946	11	1.48	2.0	6.10	1111	9.2	1.26	1.9	6.40	0.32	40576	4394	128	0.9			GR179R99 GRF179R99			4P	1.3	1006	1090	31	0.80	0.35	36476	3950	128	1.0	0.41	31665	3429	128	1.2	0.45	28609	3098	128	1.3	0.48	26909	2914	128	1.4	0.52	24767	2682	128	1.5	0.61	21184	2294	128	1.7	0.65	19928	2158	128	1.8	0.76	17047	1846	128	2.1	1.0	13252	1435	128	2.8	1.2	10980	1189	128	3.3	0.60			21544	2333	114			0.85	GR169R99 GRF169R99	4P	1.5	8782	951	48	0.90	0.67	19254	2085	114	0.95	0.75	17333	1877	114	1.05	0.84	15422	1670	114	1.15	0.97	13279	1438	114	1.35	1.1	11811	1279	114	1.50	1.2	10370	1123	114	1.75	1.4	9225	999	114	1.95	3.3	3934	426	70			3.30	GR149R99 GRF149R99	4P	1.7	7674	831	51	1.05			3.8	3398	368	70	3.90	0.82	15745			1705	39	0.85	GR149R99 GRF149R99	4P	1.9	6741	730	53	1.20	0.91	14184	1536	57	0.90	1.1	12273	1329	61	1.05	1.2	10767	1166	63	1.20	1.4	9502	1029	65	1.35	1.6	8209	889	67	1.60	1.8	7240	784	68	1.85	2.0	6418	695	68	2.05	2.3	5716	619	69	2.30	2.5	5153	558	69	2.55	7.7	1775	182.55	11	0.95	9.0	1517	156.01	16	1.00	9.8	1390	143.03	17	1.05	11	1220	125.51	18	1.20	12	1156	118.94	18	1.30	13	1012	104.10	19	1.45	15	912	93.78	19	1.65	17	800	82.27	19	1.85	19	708	72.88	19	2.10	22	622	63.96	19	2.40	23	589	60.61	19	2.50	26	516	53.05	19	2.90	29	465	47.79	19	3.20	33	407	41.92	19	3.70	38	360	37.00	19	4.10				
212	48	4.30	3.9	1.65			241	42	3.77	3.7	2.00	309	33	4.53	3.5	2.40	GRX69 GRXF69	4P	2.3	5624	609	55	1.40	326	31	4.30	3.4	2.50			371	28	3.77	3.3	3.10			438	23	3.20			3.1	4.20	484	21	2.89	3.0	4.90	551	19	2.54	2.9	6.20	583	18	2.40	2.9	6.80	686	15	2.04	2.7	8.80	753	14	1.86	2.6	9.10	870	12	1.61	2.5	9.40	1000	10	1.40	2.4	9.90	240	43	3.79	3.0	1.60	GRX59 GRXF59	6P	1.3	1006	1090	31	0.80	256	40	3.55			2.9	1.70	290			35			3.14	2.8	1.80	313	33	2.91	2.8	2.00	345	30	2.64	2.7	2.30	369	28	3.79	2.6	2.40	GRX59 GRXF59	4P	1.5	8782	951	48	0.90	394			26					3.55	2.6	2.60	446	23	3.14	2.5	2.80	481	21	2.91	2.4	3.10	530	19	2.64	2.4	3.50	591	17	2.37	2.3	3.90	686	15	2.04	2.2	4.50	729	14	1.92	2.2	4.80	848	12	1.65	2.1	5.60	946	11	1.48	2.0	6.10	1111	9.2	1.26	1.9	6.40	0.32	40576	4394	128	0.9	GR179R99 GRF179R99	4P	1.3	1006	1090	31							0.80	0.35	36476	3950	128	1.0	0.41	31665	3429	128	1.2	0.45	28609	3098	128	1.3	0.48	26909	2914	128	1.4	0.52	24767	2682	128	1.5	0.61	21184	2294	128	1.7	0.65	19928	2158	128	1.8	0.76	17047	1846	128	2.1	1.0	13252	1435	128	2.8	1.2	10980	1189	128	3.3	0.60	21544	2333	114	0.85			GR169R99 GRF169R99	4P	1.5			8782			951	48	0.90	0.67	19254	2085	114	0.95	0.75	17333	1877	114	1.05	0.84	15422	1670	114	1.15	0.97	13279	1438	114	1.35	1.1	11811	1279	114	1.50	1.2	10370	1123	114	1.75	1.4	9225	999	114	1.95	3.3	3934	426	70	3.30	GR149R99 GRF149R99	4P	1.7	7674			831	51	1.05	3.8	3398			368	70	3.90	0.82	15745	1705	39			0.85	GR149R99 GRF149R99	4P			1.9	6741	730	53	1.20	0.91	14184	1536	57	0.90	1.1	12273	1329	61	1.05	1.2	10767	1166	63	1.20	1.4	9502	1029	65	1.35	1.6	8209	889	67	1.60	1.8	7240	784	68	1.85	2.0	6418	695	68	2.05	2.3	5716	619	69	2.30	2.5	5153	558	69	2.55	7.7	1775	182.55	11	0.95	9.0	1517	156.01	16	1.00	9.8	1390	143.03	17	1.05	11	1220	125.51	18	1.20	12	1156	118.94	18	1.30	13	1012	104.10	19	1.45	15	912	93.78	19	1.65	17	800	82.27	19	1.85	19	708	72.88	19	2.10	22	622	63.96	19	2.40	23	589	60.61	19	2.50	26	516	53.05	19	2.90	29	465	47.79	19	3.20	33	407	41.92	19	3.70	38	360	37.00	19	4.10				
241	42	3.77	3.7	2.00	309	33	4.53	3.5	2.40	GRX69 GRXF69	4P	2.3	5624	609	55	1.40			326	31	4.30	3.4	2.50	371	28	3.77	3.3	3.10			438	23	3.20	3.1	4.20			484	21	2.89			3.0	4.90	551	19	2.54	2.9	6.20	583	18	2.40	2.9	6.80	686	15	2.04	2.7	8.80	753	14	1.86	2.6	9.10	870	12	1.61	2.5	9.40	1000	10	1.40	2.4	9.90	240	43	3.79	3.0	1.60	GRX59 GRXF59	6P	1.3	1006	1090			31	0.80	256	40	3.55	2.9	1.70	290			35	3.14	2.8			1.80	313	33	2.91	2.8	2.00	345	30	2.64	2.7	2.30	369	28	3.79	2.6	2.40	GRX59 GRXF59	4P	1.5	8782	951			48	0.90	394	26	3.55	2.6			2.60					446	23	3.14	2.5	2.80	481	21	2.91	2.4	3.10	530	19	2.64	2.4	3.50	591	17	2.37	2.3	3.90	686	15	2.04	2.2	4.50	729	14	1.92	2.2	4.80	848	12	1.65	2.1	5.60	946	11	1.48	2.0	6.10	1111	9.2	1.26	1.9	6.40	0.32	40576	4394	128	0.9	GR179R99 GRF179R99	4P	1.3			1006	1090	31	0.80							0.35	36476	3950	128	1.0	0.41	31665	3429	128	1.2	0.45	28609	3098	128	1.3	0.48	26909	2914	128	1.4	0.52	24767	2682	128	1.5	0.61	21184	2294	128	1.7	0.65	19928	2158	128	1.8	0.76	17047	1846	128	2.1	1.0	13252	1435	128	2.8	1.2	10980	1189	128	3.3	0.60	21544	2333	114	0.85	GR169R99 GRF169R99					4P			1.5			8782	951	48	0.90	0.67	19254	2085	114	0.95	0.75	17333	1877	114	1.05	0.84	15422	1670	114	1.15	0.97	13279	1438	114	1.35	1.1	11811	1279	114	1.50	1.2	10370	1123	114	1.75	1.4	9225	999	114	1.95	3.3	3934	426	70			3.30	GR149R99 GRF149R99	4P	1.7	7674	831	51	1.05	3.8			3398	368	70	3.90	0.82	15745	1705			39					0.85	GR149R99 GRF149R99	4P	1.9	6741	730	53	1.20	0.91	14184	1536	57	0.90	1.1	12273	1329	61	1.05	1.2	10767	1166	63	1.20	1.4	9502	1029	65	1.35	1.6	8209	889	67	1.60	1.8	7240	784	68	1.85	2.0	6418	695	68	2.05	2.3	5716	619	69	2.30	2.5	5153	558	69	2.55	7.7	1775	182.55	11	0.95	9.0	1517	156.01	16	1.00	9.8	1390	143.03	17	1.05	11	1220	125.51	18	1.20	12	1156	118.94	18	1.30	13	1012	104.10	19	1.45	15	912	93.78	19	1.65	17	800	82.27	19	1.85	19	708	72.88	19	2.10	22	622	63.96	19	2.40	23	589	60.61	19	2.50	26	516	53.05	19	2.90	29	465	47.79	19	3.20	33	407	41.92	19	3.70	38	360	37.00	19	4.10	
309	33	4.53	3.5	2.40	GRX69 GRXF69	4P	2.3	5624	609			55	1.40	326	31	4.30			3.4	2.50	371	28	3.77	3.3	3.10	438	23	3.20			3.1	4.20	484	21	2.89			3.0	4.90	551			19	2.54	2.9	6.20	583	18	2.40	2.9	6.80	686	15	2.04	2.7	8.80	753	14	1.86	2.6	9.10	870	12	1.61	2.5	9.40	1000	10	1.40	2.4	9.90	240	43	3.79	3.0	1.60	GRX59 GRXF59	6P	1.3			1006	1090	31			0.80	256	40	3.55	2.9	1.70	290	35			3.14	2.8	1.80	313	33	2.91	2.8	2.00	345	30	2.64	2.7	2.30	369	28	3.79	2.6	2.40	GRX59 GRXF59	4P	1.5			8782	951	48			0.90	394	26	3.55	2.6	2.60			446					23	3.14	2.5	2.80	481	21	2.91	2.4	3.10	530	19	2.64	2.4	3.50	591	17	2.37	2.3	3.90	686	15	2.04	2.2	4.50	729	14	1.92	2.2	4.80	848	12	1.65	2.1	5.60	946	11	1.48	2.0	6.10	1111	9.2	1.26	1.9	6.40	0.32	40576	4394	128	0.9	GR179R99 GRF179R99			4P			1.3	1006	1090	31							0.80	0.35	36476	3950	128	1.0	0.41	31665	3429	128	1.2	0.45	28609	3098	128	1.3	0.48	26909	2914	128	1.4	0.52	24767	2682	128	1.5	0.61	21184	2294	128	1.7	0.65	19928	2158	128	1.8	0.76	17047	1846	128	2.1	1.0	13252	1435	128	2.8	1.2	10980	1189	128	3.3	0.60	21544	2333	114									0.85			GR169R99 GRF169R99	4P	1.5	8782	951	48	0.90	0.67	19254	2085	114	0.95	0.75	17333	1877	114	1.05	0.84	15422	1670	114	1.15	0.97	13279	1438	114	1.35	1.1	11811	1279	114	1.50	1.2	10370	1123	114	1.75	1.4	9225	999	114	1.95	3.3	3934	426	70			3.30	GR149R99 GRF149R99	4P	1.7	7674	831			51	1.05	3.8	3398	368	70	3.90			0.82					15745			1705	39	0.85	GR149R99 GRF149R99	4P	1.9	6741	730	53	1.20	0.91	14184	1536	57	0.90	1.1	12273	1329	61	1.05	1.2	10767	1166	63	1.20	1.4	9502	1029	65	1.35	1.6	8209	889	67	1.60	1.8	7240	784	68	1.85	2.0	6418	695	68	2.05	2.3	5716	619	69	2.30	2.5	5153	558	69	2.55	7.7	1775	182.55	11	0.95	9.0	1517	156.01	16	1.00	9.8	1390	143.03	17	1.05	11	1220	125.51	18	1.20	12	1156	118.94	18	1.30	13	1012	104.10	19	1.45	15	912	93.78	19	1.65	17	800	82.27	19	1.85	19	708	72.88	19	2.10	22	622	63.96	19	2.40	23	589	60.61	19	2.50	26	516	53.05	19	2.90	29	465	47.79	19	3.20	33	407	41.92	19	3.70	38
326	31	4.30	3.4	2.50			371	28	3.77			3.3	3.10	438	23	3.20			3.1	4.20	484	21	2.89	3.0	4.90	551	19	2.54			2.9	6.20	583	18	2.40			2.9	6.80	686			15	2.04	2.7	8.80	753	14	1.86	2.6	9.10	870	12	1.61	2.5	9.40	1000	10	1.40	2.4	9.90	240	43	3.79	3.0	1.60	GRX59 GRXF59	6P	1.3	1006	1090	31	0.80	256	40	3.55			2.9			1.70	290	35			3.14	2.8	1.80	313	33	2.91	2.8	2.00	345	30	2.64	2.7	2.30	369	28	3.79	2.6	2.40	GRX59 GRXF59	4P	1.5	8782	951	48	0.90	394	26	3.55			2.6			2.60	446	23			3.14	2.5	2.80	481	21	2.91			2.4					3.10	530	19	2.64	2.4	3.50	591	17	2.37	2.3	3.90	686	15	2.04	2.2	4.50	729	14	1.92	2.2	4.80	848	12	1.65	2.1	5.60	946	11	1.48	2.0	6.10	1111	9.2	1.26	1.9	6.40	0.32	40576	4394	128	0.9	GR179R99 GRF179R99	4P	1.3	1006	1090	31	0.80	0.35							36476	3950	128	1.0							0.41	31665	3429	128	1.2	0.45	28609	3098	128	1.3	0.48	26909	2914	128	1.4	0.52	24767	2682	128	1.5	0.61	21184	2294	128	1.7	0.65	19928	2158	128	1.8	0.76	17047	1846	128	2.1	1.0	13252	1435	128	2.8	1.2	10980	1189	128	3.3	0.60	21544	2333	114	0.85	GR169R99 GRF169R99	4P	1.5	8782	951									48					0.90	0.67	19254	2085	114	0.95	0.75	17333	1877	114	1.05	0.84	15422	1670	114	1.15	0.97	13279	1438	114	1.35	1.1	11811	1279	114	1.50	1.2	10370	1123	114	1.75	1.4	9225	999	114	1.95	3.3	3934	426	70	3.30	GR149R99 GRF149R99	4P	1.7	7674	831	51			1.05	3.8	3398			368	70	3.90	0.82	15745	1705	39			0.85					GR149R99 GRF149R99			4P	1.9	6741			730	53	1.20	0.91	14184	1536	57	0.90	1.1	12273	1329	61	1.05	1.2	10767	1166	63	1.20	1.4	9502	1029	65	1.35	1.6	8209	889	67	1.60	1.8	7240	784	68	1.85	2.0	6418	695	68	2.05	2.3	5716	619	69	2.30	2.5	5153	558	69	2.55	7.7	1775	182.55	11	0.95	9.0	1517	156.01	16	1.00	9.8	1390	143.03	17	1.05	11	1220	125.51	18	1.20	12	1156	118.94	18	1.30	13	1012	104.10	19	1.45	15	912	93.78	19	1.65	17	800	82.27	19	1.85	19	708	72.88	19	2.10	22	622	63.96	19	2.40	23	589	60.61	19	2.50	26	516	53.05	19	2.90	29	465	47.79	19	3.20	33	407	41.92	19	3.70	38	360	37.00
371	28	3.77	3.3	3.10			438	23	3.20			3.1	4.20	484	21	2.89			3.0	4.90	551	19	2.54	2.9	6.20	583	18	2.40			2.9	6.80	686	15	2.04			2.7	8.80	753			14	1.86	2.6	9.10	870	12	1.61	2.5	9.40	1000	10	1.40	2.4	9.90	240	43	3.79	3.0	1.60	GRX59 GRXF59	6P	1.3	1006	1090			31	0.80	256	40	3.55	2.9	1.70	290			35			3.14	2.8	1.80	313	33	2.91	2.8	2.00	345	30	2.64	2.7	2.30	369	28	3.79	2.6	2.40	GRX59 GRXF59	4P	1.5	8782	951			48	0.90	394	26	3.55	2.6	2.60	446			23			3.14	2.5	2.80			481	21	2.91	2.4	3.10	530			19					2.64	2.4	3.50	591	17	2.37	2.3	3.90	686	15	2.04	2.2	4.50	729	14	1.92	2.2	4.80	848	12	1.65	2.1	5.60	946	11	1.48	2.0	6.10	1111	9.2	1.26	1.9	6.40	0.32	40576	4394	128	0.9	GR179R99 GRF179R99	4P	1.3			1006	1090	31	0.80	0.35	36476							3950	128	1.0	0.41							31665	3429	128	1.2	0.45	28609	3098	128	1.3	0.48	26909	2914	128	1.4	0.52	24767	2682	128	1.5	0.61	21184	2294	128	1.7	0.65	19928	2158	128	1.8	0.76	17047	1846	128	2.1	1.0	13252	1435	128	2.8	1.2	10980	1189	128	3.3	0.60	21544	2333	114	0.85	GR169R99 GRF169R99			4P	1.5	8782		951	48						0.90					0.67	19254	2085	114	0.95	0.75	17333	1877	114	1.05	0.84	15422	1670	114	1.15	0.97	13279	1438	114	1.35	1.1	11811	1279	114	1.50	1.2	10370	1123	114	1.75	1.4	9225	999	114	1.95	3.3	3934	426	70	3.30	GR149R99 GRF149R99			4P	1.7	7674	831	51	1.05	3.8	3398	368			70	3.90	0.82	15745	1705	39	0.85			GR149R99 GRF149R99									4P	1.9			6741	730	53	1.20	0.91	14184	1536	57	0.90	1.1	12273	1329	61	1.05	1.2	10767	1166	63	1.20	1.4	9502	1029	65	1.35	1.6	8209	889	67	1.60	1.8	7240	784	68	1.85	2.0	6418	695	68	2.05	2.3	5716	619	69	2.30	2.5	5153	558	69	2.55	7.7	1775	182.55	11	0.95	9.0	1517	156.01	16	1.00	9.8	1390	143.03	17	1.05	11	1220	125.51	18	1.20	12	1156	118.94	18	1.30	13	1012	104.10	19	1.45	15	912	93.78	19	1.65	17	800	82.27	19	1.85	19	708	72.88	19	2.10	22	622	63.96	19	2.40	23	589	60.61	19	2.50	26	516	53.05	19	2.90	29	465	47.79	19	3.20	33	407	41.92	19	3.70	38	360
438	23	3.20	3.1	4.20			484	21	2.89			3.0	4.90	551	19	2.54			2.9	6.20	583	18	2.40	2.9	6.80	686	15	2.04			2.7	8.80	753	14	1.86			2.6	9.10	870			12	1.61	2.5	9.40	1000	10	1.40	2.4	9.90	240	43	3.79	3.0	1.60	GRX59 GRXF59	6P	1.3	1006	1090			31	0.80	256			40	3.55	2.9	1.70	290	35	3.14	2.8			1.80	313	33	2.91	2.8	2.00	345	30	2.64	2.7	2.30	369	28	3.79	2.6	2.40	GRX59 GRXF59	4P	1.5	8782	951			48	0.90	394			26	3.55	2.6	2.60	446	23	3.14	2.5			2.80			481	21	2.91			2.4	3.10	530	19	2.64	2.4			3.50					591	17	2.37	2.3	3.90	686	15	2.04	2.2	4.50	729	14	1.92	2.2	4.80	848	12	1.65	2.1	5.60	946	11	1.48	2.0	6.10	1111	9.2	1.26	1.9	6.40	0.32	40576	4394	128	0.9	GR179R99 GRF179R99	4P	1.3			1006			1090	31	0.80	0.35	36476	3950							128	1.0	0.41	31665							3429	128	1.2	0.45	28609	3098	128	1.3	0.48	26909	2914	128	1.4	0.52	24767	2682	128	1.5	0.61	21184	2294	128	1.7	0.65	19928	2158	128	1.8	0.76	17047	1846	128	2.1	1.0	13252	1435	128	2.8	1.2	10980	1189	128	3.3	0.60	21544	2333	114	0.85	GR169R99 GRF169R99					4P	1.5		8782	951				48	0.90	0.67					19254	2085	114	0.95	0.75	17333	1877	114	1.05	0.84	15422	1670	114	1.15	0.97	13279	1438	114	1.35	1.1	11811	1279	114	1.50	1.2	10370	1123	114	1.75	1.4	9225	999	114	1.95	3.3	3934	426	70	3.30	GR149R99 GRF149R99		4P	1.7		7674	831	51	1.05	3.8	3398	368	70			3.90	0.82	15745	1705	39	0.85	GR149R99 GRF149R99													4P			1.9	6741	730	53	1.20	0.91	14184	1536	57	0.90	1.1	12273	1329	61	1.05	1.2	10767	1166	63	1.20	1.4	9502	1029	65	1.35	1.6	8209	889	67	1.60	1.8	7240	784	68	1.85	2.0	6418	695	68	2.05	2.3	5716	619	69	2.30	2.5	5153	558	69	2.55	7.7	1775	182.55	11	0.95	9.0	1517	156.01	16	1.00	9.8	1390	143.03	17	1.05	11	1220	125.51	18	1.20	12	1156	118.94	18	1.30	13	1012	104.10	19	1.45	15	912	93.78	19	1.65	17	800	82.27	19	1.85	19	708	72.88	19	2.10	22	622	63.96	19	2.40	23	589	60.61	19	2.50	26	516	53.05	19	2.90	29	465	47.79	19	3.20	33	407	41.92	19	3.70	38
484	21	2.89	3.0	4.90			551	19	2.54			2.9	6.20	583	18	2.40			2.9	6.80	686	15	2.04	2.7	8.80	753	14	1.86			2.6	9.10	870	12	1.61			2.5	9.40	1000			10	1.40	2.4	9.90	240	43	3.79	3.0	1.60	GRX59 GRXF59	6P	1.3	1006	1090			31	0.80	256			40	3.55	2.9			1.70	290	35	3.14	2.8	1.80	313	33	2.91	2.8	2.00	345	30	2.64	2.7	2.30	369	28	3.79	2.6	2.40	GRX59 GRXF59	4P	1.5	8782	951			48	0.90	394			26	3.55	2.6			2.60	446	23	3.14	2.5	2.80	481	21			2.91			2.4	3.10	530			19	2.64	2.4	3.50	591	17			2.37					2.3	3.90	686	15	2.04	2.2	4.50	729	14	1.92	2.2	4.80	848	12	1.65	2.1	5.60	946	11	1.48	2.0	6.10	1111	9.2	1.26	1.9	6.40	0.32	40576	4394	128	0.9	GR179R99 GRF179R99	4P	1.3			1006			1090			31	0.80	0.35	36476	3950	128							1.0	0.41	31665	3429							128	1.2	0.45	28609	3098	128	1.3	0.48	26909	2914	128	1.4	0.52	24767	2682	128	1.5	0.61	21184	2294	128	1.7	0.65	19928	2158	128	1.8	0.76	17047	1846	128	2.1	1.0	13252	1435	128	2.8	1.2	10980	1189	128	3.3	0.60	21544	2333	114	0.85	GR169R99 GRF169R99							4P		1.5	8782				951	48	0.90	0.67	19254			2085	114	0.95	0.75	17333	1877	114	1.05	0.84	15422	1670	114	1.15	0.97	13279	1438	114	1.35	1.1	11811	1279	114	1.50	1.2	10370	1123	114	1.75	1.4	9225	999	114	1.95	3.3	3934	426	70	3.30	GR149R99 GRF149R99		4P		1.7	7674	831	51	1.05	3.8	3398	368	70	3.90			0.82	15745	1705	39	0.85	GR149R99 GRF149R99																	4P	1.9	6741	730	53	1.20	0.91	14184	1536	57	0.90	1.1	12273	1329	61	1.05	1.2	10767	1166	63	1.20	1.4	9502	1029	65	1.35	1.6	8209	889	67	1.60	1.8	7240	784	68	1.85	2.0	6418	695	68	2.05	2.3	5716	619	69	2.30	2.5	5153	558	69	2.55	7.7	1775	182.55	11	0.95	9.0	1517	156.01	16	1.00	9.8	1390	143.03	17	1.05	11	1220	125.51	18	1.20	12	1156	118.94	18	1.30	13	1012	104.10	19	1.45	15	912	93.78	19	1.65	17	800	82.27	19	1.85	19	708	72.88	19	2.10	22	622	63.96	19	2.40	23	589	60.61	19	2.50	26	516	53.05	19	2.90	29	465	47.79	19	3.20	33	407	41.92	19	3.70
551	19	2.54	2.9	6.20			583	18	2.40			2.9	6.80	686	15	2.04			2.7	8.80	753	14	1.86	2.6	9.10	870	12	1.61			2.5	9.40	1000	10	1.40			2.4	9.90	240	43	3.79	3.0	1.60	GRX59 GRXF59	6P	1.3	1006	1090	31	0.80			256	40	3.55			2.9	1.70	290			35	3.14	2.8	1.80	313	33	2.91	2.8	2.00	345	30	2.64	2.7	2.30	369	28	3.79	2.6	2.40	GRX59 GRXF59	4P	1.5	8782	951	48	0.90			394	26	3.55			2.6	2.60	446			23	3.14	2.5			2.80	481	21	2.91	2.4	3.10	530	19			2.64			2.4	3.50	591			17	2.37	2.3	3.90	686	15			2.04		2.2	4.50		729	14	1.92	2.2	4.80	848	12	1.65	2.1	5.60	946	11	1.48	2.0	6.10	1111	9.2	1.26	1.9	6.40	0.32	40576	4394	128	0.9	GR179R99 GRF179R99	4P	1.3	1006	1090	31	0.80			0.35			36476			3950			128	1.0	0.41	31665	3429	128							1.2	0.45	28609	3098	128	1.3					0.48	26909	2914	128	1.4	0.52	24767	2682	128	1.5	0.61	21184	2294	128	1.7	0.65	19928	2158	128	1.8	0.76	17047	1846	128	2.1	1.0	13252	1435	128	2.8	1.2	10980	1189	128	3.3	0.60	21544	2333	114	0.85	GR169R99 GRF169R99	4P	1.5	8782	951	48	0.90										0.67	19254	2085	114		0.95	0.75	17333	1877	114			1.05	0.84	15422	1670	114	1.15	0.97	13279	1438	114	1.35	1.1	11811	1279	114	1.50	1.2	10370	1123	114	1.75	1.4	9225	999	114	1.95	3.3	3934	426	70	3.30	GR149R99 GRF149R99	4P	1.7	7674	831	51	1.05		3.8		3398	368	70	3.90	0.82	15745	1705	39	0.85	GR149R99 GRF149R99	4P			1.9	6741	730	53	1.20																			0.91	14184	1536	57	0.90	1.1	12273	1329	61	1.05	1.2	10767	1166	63	1.20	1.4	9502	1029	65	1.35	1.6	8209	889	67	1.60	1.8	7240	784	68	1.85	2.0	6418	695	68	2.05	2.3	5716	619	69	2.30	2.5	5153	558	69	2.55	7.7	1775	182.55	11	0.95	9.0	1517	156.01	16	1.00	9.8	1390	143.03	17	1.05	11	1220	125.51	18	1.20	12	1156	118.94	18	1.30	13	1012	104.10	19	1.45	15	912	93.78	19	1.65	17	800	82.27	19	1.85	19	708	72.88	19	2.10	22	622	63.96	19	2.40	23	589	60.61	19	2.50	26	516	53.05	19	2.90	29	465	47.79	19	3.20	33	407	41.92	19	3.70	38	360	37.00	19	4.10
583	18	2.40	2.9	6.80			686	15	2.04			2.7	8.80	753	14	1.86			2.6	9.10	870	12	1.61	2.5	9.40	1000	10	1.40			2.4	9.90	240	43	3.79	3.0	1.60	GRX59 GRXF59	6P	1.3	1006	1090	31	0.80			256	40	3.55	2.9	1.70			290	35	3.14			2.8	1.80	313	33	2.91	2.8	2.00	345	30	2.64	2.7	2.30	369	28	3.79	2.6	2.40	GRX59 GRXF59	4P	1.5	8782	951	48	0.90			394	26	3.55	2.6	2.60			446	23	3.14			2.5	2.80	481			21	2.91	2.4			3.10	530	19	2.64	2.4	3.50	591	17			2.37			2.3	3.90	686			15	2.04	2.2	4.50	729	14			1.92	2.2	4.80	848	12	1.65	2.1	5.60	946	11	1.48	2.0	6.10	1111	9.2	1.26	1.9	6.40	0.32	40576	4394	128	0.9	GR179R99 GRF179R99	4P	1.3	1006	1090	31	0.80			0.35	36476	3950	128	1.0			0.41			31665			3429			128	1.2	0.45	28609	3098	128							1.3	0.48	26909	2914	128	1.4		0.52	24767		2682	128	1.5	0.61	21184	2294	128	1.7	0.65	19928	2158	128	1.8	0.76	17047	1846	128	2.1	1.0	13252	1435	128	2.8	1.2	10980	1189	128	3.3	0.60	21544	2333	114	0.85	GR169R99 GRF169R99	4P	1.5	8782	951	48	0.90			0.67	19254	2085	114	0.95									0.75	17333	1877	114	1.05	0.84	15422	1670	114	1.15	0.97			13279	1438	114	1.35	1.1	11811	1279	114	1.50	1.2	10370	1123	114	1.75	1.4	9225	999	114	1.95	3.3	3934	426	70	3.30	GR149R99 GRF149R99	4P	1.7	7674	831	51	1.05			3.8	3398	368	70	3.90	0.82	15745	1705	39	0.85	GR149R99 GRF149R99	4P	1.9	6741	730	53	1.20					0.91	14184	1536	57	0.90																			1.1	12273	1329	61	1.05	1.2	10767	1166	63	1.20	1.4	9502	1029	65	1.35	1.6	8209	889	67	1.60	1.8	7240	784	68	1.85	2.0	6418	695	68	2.05	2.3	5716	619	69	2.30	2.5	5153	558	69	2.55	7.7	1775	182.55	11	0.95	9.0	1517	156.01	16	1.00	9.8	1390	143.03	17	1.05	11	1220	125.51	18	1.20	12	1156	118.94	18	1.30	13	1012	104.10	19	1.45	15	912	93.78	19	1.65	17	800	82.27	19	1.85	19	708	72.88	19	2.10	22	622	63.96	19	2.40	23	589	60.61	19	2.50	26	516	53.05	19	2.90	29	465	47.79	19	3.20	33	407	41.92	19	3.70	38	360	37.00	19	4.10					
686	15	2.04	2.7	8.80			753	14	1.86			2.6	9.10	870	12	1.61			2.5	9.40	1000	10	1.40	2.4	9.90	240	43	3.79	3.0	1.60	GRX59 GRXF59	6P	1.3	1006	1090	31	0.80			256	40	3.55	2.9	1.70			290	35	3.14	2.8	1.80			313	33	2.91	2.8	2.00	345	30	2.64	2.7	2.30	369	28	3.79	2.6	2.40	GRX59 GRXF59	4P	1.5	8782	951	48	0.90			394	26	3.55	2.6	2.60			446	23	3.14	2.5	2.80			481	21	2.91			2.4	3.10	530			19	2.64	2.4			3.50	591	17	2.37	2.3	3.90	686	15			2.04			2.2	4.50	729			14	1.92	2.2	4.80	848	12	1.65	2.1	5.60	946	11	1.48	2.0	6.10	1111	9.2	1.26	1.9	6.40	0.32	40576	4394	128	0.9	GR179R99 GRF179R99	4P	1.3	1006	1090	31	0.80			0.35	36476	3950	128	1.0			0.41	31665	3429	128	1.2			0.45			28609			3098			128	1.3	0.48	26909	2914	128							1.4	0.52	24767	2682	128	1.5	0.61	21184	2294	128	1.7	0.65	19928	2158	128	1.8	0.76	17047	1846	128	2.1	1.0	13252	1435	128	2.8	1.2	10980	1189	128	3.3	0.60	21544	2333	114	0.85	GR169R99 GRF169R99	4P	1.5	8782	951	48	0.90			0.67	19254	2085	114	0.95			0.75	17333	1877	114	1.05									0.84	15422	1670	114	1.15	0.97	13279	1438	114	1.35	1.1	11811	1279	114	1.50	1.2	10370	1123	114	1.75	1.4	9225	999	114	1.95	3.3	3934	426	70	3.30	GR149R99 GRF149R99	4P	1.7	7674	831	51	1.05			3.8	3398	368	70	3.90	0.82	15745	1705	39	0.85	GR149R99 GRF149R99	4P	1.9	6741	730	53	1.20			0.91	14184	1536	57	0.90					1.1	12273	1329	61	1.05																			1.2	10767	1166	63	1.20	1.4	9502	1029	65	1.35	1.6	8209	889	67	1.60	1.8	7240	784	68	1.85	2.0	6418	695	68	2.05	2.3	5716	619	69	2.30	2.5	5153	558	69	2.55	7.7	1775	182.55	11	0.95	9.0	1517	156.01	16	1.00	9.8	1390	143.03	17	1.05	11	1220	125.51	18	1.20	12	1156	118.94	18	1.30	13	1012	104.10	19	1.45	15	912	93.78	19	1.65	17	800	82.27	19	1.85	19	708	72.88	19	2.10	22	622	63.96	19	2.40	23	589	60.61	19	2.50	26	516	53.05	19	2.90	29	465	47.79	19	3.20	33	407	41.92	19	3.70	38	360	37.00	19	4.10										
753	14	1.86	2.6	9.10			870	12	1.61			2.5	9.40	1000	10	1.40	2.4	9.90	240	43	3.79	3.0	1.60	GRX59 GRXF59	6P	1.3	1006	1090	31	0.80			256	40	3.55	2.9	1.70			290	35	3.14	2.8	1.80			313	33	2.91	2.8	2.00	345	30	2.64	2.7	2.30	369	28	3.79	2.6	2.40	GRX59 GRXF59	4P	1.5	8782	951	48	0.90			394	26	3.55	2.6	2.60			446	23	3.14	2.5	2.80			481	21	2.91	2.4	3.10			530	19	2.64			2.4	3.50	591			17	2.37	2.3			3.90	686	15	2.04	2.2	4.50	729	14			1.92			2.2	4.80	848	12	1.65	2.1	5.60	946	11	1.48	2.0	6.10	1111	9.2	1.26	1.9	6.40	0.32	40576	4394	128	0.9	GR179R99 GRF179R99	4P	1.3	1006	1090	31	0.80			0.35	36476	3950	128	1.0			0.41	31665	3429	128	1.2			0.45	28609	3098	128	1.3			0.48			26909			2914			128	1.4	0.52	24767	2682	128					1.5	0.61	21184	2294	128	1.7	0.65	19928	2158	128	1.8	0.76	17047	1846	128	2.1	1.0	13252	1435	128	2.8	1.2	10980	1189	128	3.3	0.60	21544	2333	114	0.85	GR169R99 GRF169R99	4P	1.5	8782	951	48	0.90			0.67	19254	2085	114	0.95			0.75	17333	1877	114	1.05			0.84	15422	1670	114	1.15				0.97	13279				1438	114	1.35	1.1	11811	1279	114	1.50	1.2	10370	1123	114	1.75	1.4	9225	999	114	1.95	3.3	3934	426	70	3.30	GR149R99 GRF149R99	4P	1.7	7674	831	51	1.05			3.8	3398	368	70	3.90	0.82	15745	1705	39	0.85	GR149R99 GRF149R99	4P	1.9	6741	730	53	1.20			0.91	14184	1536	57	0.90			1.1	12273	1329	61	1.05			1.2	10767	1166	63	1.20	1.4	9502																			1029	65	1.35	1.6	8209	889	67	1.60	1.8	7240	784	68	1.85	2.0	6418	695	68	2.05	2.3	5716	619	69	2.30	2.5	5153	558	69	2.55	7.7	1775	182.55	11	0.95	9.0	1517	156.01	16	1.00	9.8	1390	143.03	17	1.05	11	1220	125.51	18	1.20	12	1156	118.94	18	1.30	13	1012	104.10	19	1.45	15	912	93.78	19	1.65	17	800	82.27	19	1.85	19	708	72.88	19	2.10	22	622	63.96	19	2.40	23	589	60.61	19	2.50	26	516	53.05	19	2.90	29	465	47.79	19	3.20	33	407	41.92	19	3.70	38	360	37.00	19	4.10																	
870	12	1.61	2.5	9.40			1000	10	1.40	2.4	9.90	240	43	3.79	3.0	1.60	GRX59 GRXF59	6P	1.3	1006	1090	31	0.80			256	40	3.55	2.9	1.70			290	35	3.14	2.8	1.80			313	33	2.91	2.8	2.00	345	30	2.64	2.7	2.30	369	28	3.79	2.6	2.40	GRX59 GRXF59	4P	1.5	8782	951	48	0.90			394	26	3.55	2.6	2.60			446	23	3.14	2.5	2.80			481	21	2.91	2.4	3.10			530	19	2.64	2.4	3.50			591	17	2.37			2.3	3.90	686			15	2.04	2.2			4.50	729	14	1.92	2.2	4.80	848	12			1.65	2.1	5.60	946	11	1.48	2.0	6.10	1111	9.2	1.26	1.9	6.40	0.32	40576	4394	128	0.9	GR179R99 GRF179R99	4P	1.3	1006	1090	31	0.80			0.35	36476	3950	128	1.0			0.41	31665	3429	128	1.2			0.45	28609	3098	128	1.3			0.48	26909	2914	128	1.4			0.52			24767			2682			128	1.5	0.61	21184	2294	128		1.7	0.65		19928	2158	128	1.8	0.76	17047	1846	128	2.1	1.0	13252	1435	128	2.8	1.2	10980	1189	128	3.3	0.60	21544	2333	114	0.85	GR169R99 GRF169R99	4P	1.5	8782	951	48	0.90			0.67	19254	2085	114	0.95			0.75	17333	1877	114	1.05			0.84	15422	1670	114	1.15			0.97	13279	1438	114	1.35			1.1	11811	1279	114			1.50	1.2	10370	1123	114	1.75	1.4	9225	999	114	1.95	3.3	3934	426	70	3.30	GR149R99 GRF149R99	4P	1.7	7674	831	51	1.05			3.8	3398	368	70	3.90	0.82	15745	1705	39	0.85	GR149R99 GRF149R99	4P	1.9	6741	730	53	1.20			0.91	14184	1536	57	0.90			1.1	12273	1329	61	1.05			1.2	10767	1166	63	1.20			1.4	9502	1029	65	1.35	1.6	8209			889	67															1.60	1.8	7240	784	68	1.85	2.0	6418	695	68	2.05	2.3	5716	619	69	2.30	2.5	5153	558	69	2.55	7.7	1775	182.55	11	0.95	9.0	1517	156.01	16	1.00	9.8	1390	143.03	17	1.05	11	1220	125.51	18	1.20	12	1156	118.94	18	1.30	13	1012	104.10	19	1.45	15	912	93.78	19	1.65	17	800	82.27	19	1.85	19	708	72.88	19	2.10	22	622	63.96	19	2.40	23	589	60.61	19	2.50	26	516	53.05	19	2.90	29	465	47.79	19	3.20	33	407	41.92	19	3.70	38	360	37.00	19	4.10																								
1000	10	1.40	2.4	9.90	240	43	3.79	3.0	1.60	GRX59 GRXF59	6P	1.3	1006	1090	31	0.80			256	40	3.55	2.9	1.70			290	35	3.14	2.8	1.80			313	33	2.91	2.8	2.00	345	30	2.64	2.7	2.30	369	28	3.79	2.6	2.40	GRX59 GRXF59	4P	1.5	8782	951	48	0.90			394	26	3.55	2.6	2.60			446	23	3.14	2.5	2.80			481	21	2.91	2.4	3.10			530	19	2.64	2.4	3.50			591	17	2.37	2.3	3.90			686	15	2.04			2.2	4.50	729			14	1.92	2.2			4.80	848	12	1.65	2.1	5.60	946	11	1.48	2.0	6.10	1111	9.2	1.26	1.9	6.40	0.32	40576	4394	128	0.9	GR179R99 GRF179R99	4P	1.3	1006	1090	31	0.80			0.35	36476	3950	128	1.0			0.41	31665	3429	128	1.2			0.45	28609	3098	128	1.3			0.48	26909	2914	128	1.4			0.52	24767	2682	128	1.5			0.61			21184			2294			128	1.7	0.65	19928	2158	128	1.8	0.76	17047	1846	128	2.1	1.0	13252	1435	128	2.8	1.2	10980	1189	128	3.3	0.60	21544	2333	114	0.85	GR169R99 GRF169R99	4P	1.5	8782	951	48	0.90			0.67	19254	2085	114	0.95			0.75	17333	1877	114	1.05			0.84	15422	1670	114	1.15			0.97	13279	1438	114	1.35			1.1	11811	1279	114	1.50		1.2	10370	1123	114	1.75	1.4		9225	999	114	1.95	3.3	3934	426	70	3.30	GR149R99 GRF149R99	4P	1.7	7674	831	51	1.05			3.8	3398	368	70	3.90	0.82	15745	1705	39	0.85	GR149R99 GRF149R99	4P	1.9	6741	730	53	1.20			0.91	14184	1536	57	0.90			1.1	12273	1329	61	1.05			1.2	10767	1166	63	1.20			1.4	9502	1029	65	1.35			1.6	8209	889	67	1.60	1.8	7240			784	68				1.85	2.0										6418	695	68	2.05	2.3	5716	619	69	2.30	2.5	5153	558	69	2.55	7.7	1775	182.55	11	0.95	9.0	1517	156.01	16	1.00	9.8	1390	143.03	17	1.05	11	1220	125.51	18	1.20	12	1156	118.94	18	1.30	13	1012	104.10	19	1.45	15	912	93.78	19	1.65	17	800	82.27	19	1.85	19	708	72.88	19	2.10	22	622	63.96	19	2.40	23	589	60.61	19	2.50	26	516	53.05	19	2.90	29	465	47.79	19	3.20	33	407	41.92	19	3.70	38	360	37.00	19	4.10																															
240	43	3.79	3.0	1.60	GRX59 GRXF59	6P	1.3	1006	1090			31	0.80	256	40	3.55			2.9	1.70	290	35	3.14			2.8	1.80	313	33	2.91	2.8	2.00	345	30	2.64	2.7	2.30	369	28	3.79	2.6	2.40	GRX59 GRXF59	4P	1.5	8782	951			48	0.90	394	26	3.55			2.6	2.60	446	23	3.14			2.5	2.80	481	21	2.91			2.4	3.10	530	19	2.64			2.4	3.50	591	17	2.37			2.3	3.90	686	15	2.04			2.2	4.50	729			14	1.92	2.2			4.80	848	12	1.65	2.1	5.60	946	11	1.48	2.0	6.10	1111	9.2	1.26	1.9	6.40	0.32	40576	4394	128	0.9	GR179R99 GRF179R99	4P	1.3	1006	1090			31	0.80	0.35	36476	3950			128	1.0	0.41	31665	3429			128	1.2	0.45	28609	3098			128	1.3	0.48	26909	2914			128	1.4	0.52	24767	2682			128	1.5	0.61	21184	2294			128			1.7			0.65	19928	2158	128	1.8	0.76	17047	1846	128	2.1	1.0	13252	1435	128	2.8	1.2	10980	1189	128	3.3	0.60	21544	2333	114	0.85	GR169R99 GRF169R99	4P	1.5	8782	951			48	0.90	0.67	19254	2085			114	0.95	0.75	17333	1877			114	1.05	0.84	15422	1670			114	1.15	0.97	13279	1438			114	1.35	1.1	11811	1279			114	1.50	1.2	10370	1123	114	1.75	1.4	9225	999	114	1.95	3.3	3934	426	70	3.30	GR149R99 GRF149R99	4P	1.7	7674	831			51	1.05	3.8	3398	368	70	3.90	0.82	15745	1705	39	0.85	GR149R99 GRF149R99	4P	1.9	6741	730			53	1.20	0.91	14184	1536			57	0.90	1.1	12273	1329			61	1.05	1.2	10767	1166			63	1.20	1.4	9502	1029			65	1.35	1.6	8209	889			67	1.60	1.8	7240	784	68	1.85			2.0	6418		695	68	2.05	2.3										5716	619	69	2.30	2.5	5153	558	69	2.55	7.7	1775	182.55	11	0.95	9.0	1517	156.01	16	1.00	9.8	1390	143.03	17	1.05	11	1220	125.51	18	1.20	12	1156	118.94	18	1.30	13	1012	104.10	19	1.45	15	912	93.78	19	1.65	17	800	82.27	19	1.85	19	708	72.88	19	2.10	22	622	63.96	19	2.40	23	589	60.61	19	2.50	26	516	53.05	19	2.90	29	465	47.79	19	3.20	33	407	41.92	19	3.70	38	360	37.00	19	4.10																																				
256	40	3.55	2.9	1.70			290	35	3.14			2.8	1.80	313	33	2.91			2.8	2.00	345	30	2.64	2.7	2.30	369	28	3.79	2.6	2.40	GRX59 GRXF59	4P	1.5	8782	951	48	0.90	394	26	3.55	2.6	2.60			446	23	3.14			2.5	2.80	481	21	2.91			2.4	3.10	530	19	2.64			2.4	3.50	591	17	2.37			2.3	3.90	686	15	2.04			2.2	4.50	729	14	1.92			2.2	4.80	848	12	1.65			2.1	5.60	946			11	1.48	2.0	6.10	1111	9.2	1.26	1.9	6.40	0.32	40576	4394	128	0.9	GR179R99 GRF179R99	4P	1.3	1006	1090	31	0.80	0.35	36476	3950	128	1.0			0.41	31665	3429			128	1.2	0.45	28609	3098			128	1.3	0.48	26909	2914			128	1.4	0.52	24767	2682			128	1.5	0.61	21184	2294			128	1.7	0.65	19928	2158			128	1.8	0.76	17047	1846			128			2.1	1.0	13252	1435	128	2.8	1.2	10980	1189	128	3.3	0.60	21544	2333	114	0.85	GR169R99 GRF169R99	4P	1.5	8782	951	48	0.90	0.67	19254	2085	114	0.95			0.75	17333	1877			114	1.05	0.84	15422	1670			114	1.15	0.97	13279	1438			114	1.35	1.1	11811	1279			114	1.50	1.2	10370	1123			114	1.75	1.4	9225	999	114	1.95	3.3	3934	426	70	3.30	GR149R99 GRF149R99	4P	1.7	7674	831	51	1.05	3.8	3398	368	70	3.90			0.82	15745	1705	39	0.85	GR149R99 GRF149R99	4P	1.9	6741	730	53	1.20	0.91	14184	1536	57	0.90			1.1	12273	1329			61	1.05	1.2	10767	1166			63	1.20	1.4	9502	1029			65	1.35	1.6	8209	889			67	1.60	1.8	7240	784			68	1.85	2.0	6418	695			68	2.05	2.3	5716	619	69	2.30			2.5	5153		558	69	2.55	7.7		1775	182.55							11	0.95	9.0	1517	156.01	16	1.00	9.8	1390	143.03	17	1.05	11	1220	125.51	18	1.20	12	1156	118.94	18	1.30	13	1012	104.10	19	1.45	15	912	93.78	19	1.65	17	800	82.27	19	1.85	19	708	72.88	19	2.10	22	622	63.96	19	2.40	23	589	60.61	19	2.50	26	516	53.05	19	2.90	29	465	47.79	19	3.20	33	407	41.92	19	3.70	38	360	37.00	19	4.10																																																
290	35	3.14	2.8	1.80			313	33	2.91			2.8	2.00	345	30	2.64	2.7	2.30	369	28	3.79	2.6	2.40	GRX59 GRXF59	4P	1.5	8782	951	48	0.90			394	26	3.55	2.6	2.60	446	23	3.14	2.5	2.80			481	21	2.91			2.4	3.10	530	19	2.64			2.4	3.50	591	17	2.37			2.3	3.90	686	15	2.04			2.2	4.50	729	14	1.92			2.2	4.80	848	12	1.65			2.1	5.60	946	11	1.48			2.0	6.10	1111	9.2	1.26	1.9	6.40	0.32	40576	4394	128	0.9	GR179R99 GRF179R99	4P	1.3	1006	1090	31	0.80			0.35	36476	3950	128	1.0	0.41	31665	3429	128	1.2			0.45	28609	3098			128	1.3	0.48	26909	2914			128	1.4	0.52	24767	2682			128	1.5	0.61	21184	2294			128	1.7	0.65	19928	2158			128	1.8	0.76	17047	1846			128	2.1	1.0	13252	1435			128	2.8	1.2	10980	1189	128	3.3	0.60	21544	2333	114	0.85	GR169R99 GRF169R99	4P	1.5	8782	951	48	0.90			0.67	19254	2085	114	0.95	0.75	17333	1877	114	1.05			0.84	15422	1670			114	1.15	0.97	13279	1438			114	1.35	1.1	11811	1279			114	1.50	1.2	10370	1123			114	1.75	1.4	9225	999	114	1.95	3.3	3934	426	70	3.30	GR149R99 GRF149R99	4P	1.7	7674	831	51	1.05			3.8	3398	368	70	3.90	0.82	15745	1705	39	0.85	GR149R99 GRF149R99	4P	1.9	6741	730	53	1.20			0.91	14184	1536	57	0.90	1.1	12273	1329	61	1.05			1.2	10767	1166			63	1.20	1.4	9502	1029			65	1.35	1.6	8209	889			67	1.60	1.8	7240	784			68	1.85	2.0	6418	695			68	2.05	2.3	5716	619			69	2.30	2.5	5153	558	69	2.55			7.7	1775		182.55	11	0.95	9.0		1517	156.01				16	1.00		9.8	1390	143.03	17	1.05	11	1220	125.51	18	1.20	12	1156	118.94	18	1.30	13	1012	104.10	19	1.45	15	912	93.78	19	1.65	17	800	82.27	19	1.85	19	708	72.88	19	2.10	22	622	63.96	19	2.40	23	589	60.61	19	2.50	26	516	53.05	19	2.90	29	465	47.79	19	3.20	33	407	41.92	19	3.70	38	360	37.00	19	4.10																																																							
313	33	2.91	2.8	2.00			345	30	2.64	2.7	2.30	369	28	3.79	2.6	2.40	GRX59 GRXF59	4P	1.5	8782	951	48	0.90			394	26	3.55	2.6	2.60			446	23	3.14	2.5	2.80	481	21	2.91	2.4	3.10			530	19	2.64			2.4	3.50	591	17	2.37			2.3	3.90	686	15	2.04			2.2	4.50	729	14	1.92			2.2	4.80	848	12	1.65			2.1	5.60	946	11	1.48			2.0	6.10	1111	9.2	1.26	1.9	6.40	0.32	40576	4394	128	0.9	GR179R99 GRF179R99	4P	1.3	1006	1090	31	0.80			0.35	36476	3950	128	1.0			0.41	31665	3429	128	1.2	0.45	28609	3098	128	1.3			0.48	26909	2914			128	1.4	0.52	24767	2682			128	1.5	0.61	21184	2294			128	1.7	0.65	19928	2158			128	1.8	0.76	17047	1846			128	2.1	1.0	13252	1435			128	2.8	1.2	10980	1189	128	3.3	0.60	21544	2333	114	0.85	GR169R99 GRF169R99	4P	1.5	8782	951	48	0.90			0.67	19254	2085	114	0.95			0.75	17333	1877	114	1.05	0.84	15422	1670	114	1.15			0.97	13279	1438			114	1.35	1.1	11811	1279			114	1.50	1.2	10370	1123			114	1.75	1.4	9225	999	114	1.95	3.3	3934	426	70	3.30	GR149R99 GRF149R99	4P	1.7	7674	831	51	1.05			3.8	3398	368	70	3.90	0.82	15745	1705	39	0.85	GR149R99 GRF149R99	4P	1.9	6741	730	53	1.20			0.91	14184	1536	57	0.90			1.1	12273	1329	61	1.05	1.2	10767	1166	63	1.20			1.4	9502	1029			65	1.35	1.6	8209	889			67	1.60	1.8	7240	784			68	1.85	2.0	6418	695			68	2.05	2.3	5716	619			69	2.30	2.5	5153	558			69	2.55	7.7	1775	182.55	11	0.95			9.0	1517		156.01	16	1.00	9.8	1390	143.03	17	1.05			11	1220		125.51	18	1.20	12	1156	118.94	18	1.30	13	1012	104.10	19	1.45	15	912	93.78	19	1.65	17	800	82.27	19	1.85	19	708	72.88	19	2.10	22	622	63.96	19	2.40	23	589	60.61	19	2.50	26	516	53.05	19	2.90	29	465	47.79	19	3.20	33	407	41.92	19	3.70	38	360	37.00	19	4.10																																																														
345	30	2.64	2.7	2.30	369	28	3.79	2.6	2.40	GRX59 GRXF59	4P	1.5	8782	951	48	0.90			394	26	3.55	2.6	2.60			446	23	3.14	2.5	2.80			481	21	2.91	2.4	3.10	530	19	2.64	2.4	3.50			591	17	2.37			2.3	3.90	686	15	2.04			2.2	4.50	729	14	1.92			2.2	4.80	848	12	1.65			2.1	5.60	946	11	1.48			2.0	6.10	1111	9.2	1.26	1.9	6.40	0.32	40576	4394	128	0.9	GR179R99 GRF179R99	4P	1.3	1006	1090	31	0.80			0.35	36476	3950	128	1.0			0.41	31665	3429	128	1.2			0.45	28609	3098	128	1.3	0.48	26909	2914	128	1.4			0.52	24767	2682			128	1.5	0.61	21184	2294			128	1.7	0.65	19928	2158			128	1.8	0.76	17047	1846			128	2.1	1.0	13252	1435			128	2.8	1.2	10980	1189	128	3.3	0.60	21544	2333	114	0.85	GR169R99 GRF169R99	4P	1.5	8782	951	48	0.90			0.67	19254	2085	114	0.95			0.75	17333	1877	114	1.05			0.84	15422	1670	114	1.15	0.97	13279	1438	114	1.35			1.1	11811	1279			114	1.50	1.2	10370	1123			114	1.75	1.4	9225	999	114	1.95	3.3	3934	426	70	3.30	GR149R99 GRF149R99	4P	1.7	7674	831	51	1.05			3.8	3398	368	70	3.90	0.82	15745	1705	39	0.85	GR149R99 GRF149R99	4P	1.9	6741	730	53	1.20			0.91	14184	1536	57	0.90			1.1	12273	1329	61	1.05			1.2	10767	1166	63	1.20	1.4	9502	1029	65	1.35			1.6	8209	889			67	1.60	1.8	7240	784			68	1.85	2.0	6418	695			68	2.05	2.3	5716	619			69	2.30	2.5	5153	558			69	2.55	7.7	1775	182.55			11	0.95	9.0	1517	156.01	16	1.00			9.8	1390	143.03	17	1.05	11	1220	125.51	18	1.20	12	1156		118.94	18		1.30	13	1012	104.10	19	1.45	15	912	93.78	19	1.65	17	800	82.27	19	1.85	19	708	72.88	19	2.10	22	622	63.96	19	2.40	23	589	60.61	19	2.50	26	516	53.05	19	2.90	29	465	47.79	19	3.20	33	407	41.92	19	3.70	38	360	37.00	19	4.10																																																																					
369	28	3.79	2.6	2.40	GRX59 GRXF59	4P	1.5	8782	951			48	0.90	394	26	3.55			2.6	2.60	446	23	3.14			2.5	2.80	481	21	2.91			2.4	3.10	530	19	2.64	2.4	3.50	591	17	2.37			2.3	3.90	686			15	2.04	2.2	4.50	729			14	1.92	2.2	4.80	848			12	1.65	2.1	5.60	946			11	1.48	2.0	6.10	1111	9.2	1.26	1.9	6.40	0.32	40576	4394	128	0.9	GR179R99 GRF179R99	4P	1.3	1006	1090			31	0.80	0.35	36476	3950			128	1.0	0.41	31665	3429			128	1.2	0.45	28609	3098			128	1.3	0.48	26909	2914	128	1.4	0.52	24767	2682			128	1.5	0.61			21184	2294	128	1.7	0.65			19928	2158	128	1.8	0.76			17047	1846	128	2.1	1.0			13252	1435	128	2.8	1.2	10980	1189	128	3.3	0.60	21544	2333	114	0.85	GR169R99 GRF169R99	4P	1.5	8782	951			48	0.90	0.67	19254	2085			114	0.95	0.75	17333	1877			114	1.05	0.84	15422	1670			114	1.15	0.97	13279	1438	114	1.35	1.1	11811	1279			114	1.50	1.2			10370	1123	114	1.75	1.4	9225	999	114	1.95	3.3	3934	426	70	3.30	GR149R99 GRF149R99	4P	1.7	7674	831			51	1.05	3.8	3398	368	70	3.90	0.82	15745	1705	39	0.85	GR149R99 GRF149R99	4P	1.9	6741	730			53	1.20	0.91	14184	1536			57	0.90	1.1	12273	1329			61	1.05	1.2	10767	1166			63	1.20	1.4	9502	1029	65	1.35	1.6	8209	889			67	1.60	1.8			7240	784	68	1.85	2.0			6418	695	68	2.05	2.3			5716	619	69	2.30	2.5			5153	558	69	2.55	7.7			1775	182.55	11	0.95	9.0			1517	156.01	16	1.00	9.8	1390	143.03		17	1.05	11	1220	125.51	18	1.20	12	1156	118.94	18	1.30	13	1012	104.10	19		1.45	15	912	93.78	19	1.65	17	800	82.27	19	1.85	19	708	72.88	19	2.10	22	622	63.96	19	2.40	23	589	60.61	19	2.50	26	516	53.05	19	2.90	29	465	47.79	19	3.20	33	407	41.92	19	3.70	38	360	37.00	19	4.10																																																																										
394	26	3.55	2.6	2.60			446	23	3.14			2.5	2.80	481	21	2.91			2.4	3.10	530	19	2.64			2.4	3.50	591	17	2.37			2.3	3.90	686	15	2.04	2.2	4.50	729	14	1.92			2.2	4.80	848			12	1.65	2.1	5.60	946			11	1.48	2.0	6.10	1111			9.2	1.26	1.9	6.40	0.32	40576	4394	128	0.9	GR179R99 GRF179R99	4P	1.3	1006	1090	31	0.80	0.35	36476	3950	128	1.0			0.41	31665	3429			128	1.2	0.45	28609	3098			128	1.3	0.48	26909	2914			128	1.4	0.52	24767	2682			128	1.5	0.61	21184	2294	128	1.7	0.65	19928	2158			128	1.8	0.76			17047	1846	128	2.1	1.0			13252	1435	128	2.8	1.2			10980	1189	128	3.3	0.60	21544	2333	114	0.85	GR169R99 GRF169R99	4P	1.5	8782	951	48	0.90	0.67	19254	2085	114	0.95			0.75	17333	1877			114	1.05	0.84	15422	1670			114	1.15	0.97	13279	1438			114	1.35	1.1	11811	1279			114	1.50	1.2	10370	1123	114	1.75	1.4	9225	999			114	1.95	3.3	3934	426	70	3.30	GR149R99 GRF149R99	4P	1.7	7674	831	51	1.05	3.8	3398	368	70	3.90			0.82	15745	1705	39	0.85	GR149R99 GRF149R99	4P	1.9	6741	730	53	1.20	0.91	14184	1536	57	0.90			1.1	12273	1329			61	1.05	1.2	10767	1166			63	1.20	1.4	9502	1029			65	1.35	1.6	8209	889			67	1.60	1.8	7240	784	68	1.85	2.0	6418	695			68	2.05	2.3			5716	619	69	2.30	2.5			5153	558	69	2.55	7.7			1775	182.55	11	0.95	9.0			1517	156.01	16	1.00	9.8			1390	143.03	17	1.05	11			1220	125.51	18	1.20	12	1156	118.94	18	1.30	13	1012	104.10	19	1.45	15	912	93.78	19	1.65	17	800	82.27	19	1.85	19	708	72.88	19	2.10	22	622	63.96	19	2.40	23	589	60.61	19	2.50	26	516	53.05	19	2.90	29	465	47.79	19	3.20	33	407	41.92	19	3.70	38	360	37.00	19	4.10																																																																																						
446	23	3.14	2.5	2.80			481	21	2.91			2.4	3.10	530	19	2.64			2.4	3.50	591	17	2.37			2.3	3.90	686	15	2.04			2.2	4.50	729	14	1.92	2.2	4.80	848	12	1.65			2.1	5.60	946			11	1.48	2.0	6.10	1111			9.2	1.26	1.9	6.40	0.32	40576	4394	128	0.9	GR179R99 GRF179R99	4P	1.3	1006	1090	31	0.80			0.35	36476	3950	128	1.0	0.41	31665	3429	128	1.2			0.45	28609	3098			128	1.3	0.48	26909	2914			128	1.4	0.52	24767	2682			128	1.5	0.61	21184	2294			128	1.7	0.65	19928	2158	128	1.8	0.76	17047	1846			128	2.1	1.0			13252	1435	128	2.8	1.2			10980	1189	128	3.3	0.60	21544	2333	114	0.85	GR169R99 GRF169R99	4P	1.5	8782	951	48	0.90			0.67	19254	2085	114	0.95	0.75	17333	1877	114	1.05			0.84	15422	1670			114	1.15	0.97	13279	1438			114	1.35	1.1	11811	1279			114	1.50	1.2	10370	1123			114	1.75	1.4	9225	999	114	1.95	3.3	3934	426	70	3.30	GR149R99 GRF149R99	4P	1.7	7674	831	51	1.05			3.8	3398	368	70	3.90	0.82	15745	1705	39	0.85	GR149R99 GRF149R99	4P	1.9	6741	730	53	1.20			0.91	14184	1536	57	0.90	1.1	12273	1329	61	1.05			1.2	10767	1166			63	1.20	1.4	9502	1029			65	1.35	1.6	8209	889			67	1.60	1.8	7240	784			68	1.85	2.0	6418	695	68	2.05	2.3	5716	619			69	2.30	2.5			5153	558	69	2.55	7.7			1775	182.55	11	0.95	9.0			1517	156.01	16	1.00	9.8			1390	143.03	17	1.05	11			1220	125.51	18	1.20	12	1156	118.94	18	1.30	13	1012	104.10	19	1.45	15	912	93.78	19	1.65	17	800	82.27	19	1.85	19	708	72.88	19	2.10	22	622	63.96	19	2.40	23	589	60.61	19	2.50	26	516	53.05	19	2.90	29	465	47.79	19	3.20	33	407	41.92	19	3.70	38	360	37.00	19	4.10																																																																																													
481	21	2.91	2.4	3.10			530	19	2.64			2.4	3.50	591	17	2.37			2.3	3.90	686	15	2.04			2.2	4.50	729	14	1.92			2.2	4.80	848	12	1.65	2.1	5.60	946	11	1.48			2.0	6.10	1111			9.2	1.26	1.9	6.40	0.32	40576	4394	128	0.9	GR179R99 GRF179R99	4P	1.3	1006	1090	31	0.80			0.35	36476	3950	128	1.0			0.41	31665	3429	128	1.2	0.45	28609	3098	128	1.3			0.48	26909	2914			128	1.4	0.52	24767	2682			128	1.5	0.61	21184	2294			128	1.7	0.65	19928	2158			128	1.8	0.76	17047	1846	128	2.1	1.0	13252	1435			128	2.8	1.2			10980	1189	128	3.3	0.60	21544	2333	114	0.85	GR169R99 GRF169R99	4P	1.5	8782	951	48	0.90			0.67	19254	2085	114	0.95			0.75	17333	1877	114	1.05	0.84	15422	1670	114	1.15			0.97	13279	1438			114	1.35	1.1	11811	1279			114	1.50	1.2	10370	1123			114	1.75	1.4	9225	999	114	1.95	3.3	3934	426	70	3.30	GR149R99 GRF149R99	4P	1.7	7674	831	51	1.05			3.8	3398	368	70	3.90	0.82	15745	1705	39	0.85	GR149R99 GRF149R99	4P	1.9	6741	730	53	1.20			0.91	14184	1536	57	0.90			1.1	12273	1329	61	1.05	1.2	10767	1166	63	1.20			1.4	9502	1029			65	1.35	1.6	8209	889			67	1.60	1.8	7240	784			68	1.85	2.0	6418	695			68	2.05	2.3	5716	619	69	2.30	2.5	5153	558			69	2.55	7.7			1775	182.55	11	0.95	9.0			1517	156.01	16	1.00	9.8			1390	143.03	17	1.05	11			1220	125.51	18	1.20	12	1156	118.94	18	1.30	13	1012	104.10	19	1.45	15	912	93.78	19	1.65	17	800	82.27	19	1.85	19	708	72.88	19	2.10	22	622	63.96	19	2.40	23	589	60.61	19	2.50	26	516	53.05	19	2.90	29	465	47.79	19	3.20	33	407	41.92	19	3.70	38	360	37.00	19	4.10																																																																																																				
530	19	2.64	2.4	3.50			591	17	2.37			2.3	3.90	686	15	2.04			2.2	4.50	729	14	1.92			2.2	4.80	848	12	1.65			2.1	5.60	946	11	1.48	2.0	6.10	1111	9.2	1.26			1.9	6.40	0.32	40576	4394	128	0.9	GR179R99 GRF179R99	4P	1.3	1006	1090	31	0.80			0.35	36476	3950	128	1.0			0.41	31665	3429	128	1.2			0.45	28609	3098	128	1.3	0.48	26909	2914	128	1.4			0.52	24767	2682			128	1.5	0.61	21184	2294			128	1.7	0.65	19928	2158			128	1.8	0.76	17047	1846			128	2.1	1.0	13252	1435	128	2.8	1.2	10980	1189			128	3.3	0.60	21544	2333	114	0.85	GR169R99 GRF169R99	4P	1.5	8782	951	48	0.90			0.67	19254	2085	114	0.95			0.75	17333	1877	114	1.05			0.84	15422	1670	114	1.15	0.97	13279	1438	114	1.35			1.1	11811	1279			114	1.50	1.2	10370	1123			114	1.75	1.4	9225	999	114	1.95	3.3	3934	426	70	3.30	GR149R99 GRF149R99	4P	1.7	7674	831	51	1.05			3.8	3398	368	70	3.90	0.82	15745	1705	39	0.85	GR149R99 GRF149R99	4P	1.9	6741	730	53	1.20			0.91	14184	1536	57	0.90			1.1	12273	1329	61	1.05			1.2	10767	1166	63	1.20	1.4	9502	1029	65	1.35			1.6	8209	889			67	1.60	1.8	7240	784			68	1.85	2.0	6418	695			68	2.05	2.3	5716	619			69	2.30	2.5	5153	558	69	2.55	7.7	1775	182.55			11	0.95	9.0			1517	156.01	16	1.00	9.8			1390	143.03	17	1.05	11			1220	125.51	18	1.20	12	1156	118.94	18	1.30	13	1012	104.10	19	1.45	15	912	93.78	19	1.65	17	800	82.27	19	1.85	19	708	72.88	19	2.10	22	622	63.96	19	2.40	23	589	60.61	19	2.50	26	516	53.05	19	2.90	29	465	47.79	19	3.20	33	407	41.92	19	3.70	38	360	37.00	19	4.10																																																																																																											
591	17	2.37	2.3	3.90			686	15	2.04			2.2	4.50	729	14	1.92			2.2	4.80	848	12	1.65			2.1	5.60	946	11	1.48			2.0	6.10	1111	9.2	1.26	1.9	6.40	0.32	40576	4394	128	0.9	GR179R99 GRF179R99	4P	1.3	1006	1090	31	0.80			0.35	36476	3950	128	1.0			0.41	31665	3429	128	1.2			0.45	28609	3098	128	1.3			0.48	26909	2914	128	1.4	0.52	24767	2682	128	1.5			0.61	21184	2294			128	1.7	0.65	19928	2158			128	1.8	0.76	17047	1846			128	2.1	1.0	13252	1435			128	2.8	1.2	10980	1189	128	3.3	0.60	21544	2333	114	0.85	GR169R99 GRF169R99	4P	1.5	8782	951	48	0.90			0.67	19254	2085	114	0.95			0.75	17333	1877	114	1.05			0.84	15422	1670	114	1.15			0.97	13279	1438	114	1.35	1.1	11811	1279	114	1.50			1.2	10370	1123			114	1.75	1.4	9225	999	114	1.95	3.3	3934	426	70	3.30	GR149R99 GRF149R99	4P	1.7	7674	831	51	1.05			3.8	3398	368	70	3.90	0.82	15745	1705	39	0.85	GR149R99 GRF149R99	4P	1.9	6741	730	53	1.20			0.91	14184	1536	57	0.90			1.1	12273	1329	61	1.05			1.2	10767	1166	63	1.20			1.4	9502	1029	65	1.35	1.6	8209	889	67	1.60			1.8	7240	784			68	1.85	2.0	6418	695			68	2.05	2.3	5716	619			69	2.30	2.5	5153	558			69	2.55	7.7	1775	182.55	11	0.95	9.0	1517	156.01			16	1.00	9.8			1390	143.03	17	1.05	11			1220	125.51	18	1.20	12	1156	118.94	18	1.30	13	1012	104.10	19	1.45	15	912	93.78	19	1.65	17	800	82.27	19	1.85	19	708	72.88	19	2.10	22	622	63.96	19	2.40	23	589	60.61	19	2.50	26	516	53.05	19	2.90	29	465	47.79	19	3.20	33	407	41.92	19	3.70	38	360	37.00	19	4.10																																																																																																																		
686	15	2.04	2.2	4.50			729	14	1.92			2.2	4.80	848	12	1.65			2.1	5.60	946	11	1.48			2.0	6.10	1111	9.2	1.26	1.9	6.40	0.32	40576	4394	128	0.9	GR179R99 GRF179R99	4P	1.3	1006	1090	31	0.80			0.35	36476	3950	128	1.0			0.41	31665	3429	128	1.2			0.45	28609	3098	128	1.3			0.48	26909	2914	128	1.4			0.52	24767	2682	128	1.5	0.61	21184	2294	128	1.7			0.65	19928	2158			128	1.8	0.76	17047	1846			128	2.1	1.0	13252	1435			128	2.8	1.2	10980	1189	128	3.3	0.60	21544	2333	114	0.85	GR169R99 GRF169R99	4P	1.5	8782	951	48	0.90			0.67	19254	2085	114	0.95			0.75	17333	1877	114	1.05			0.84	15422	1670	114	1.15			0.97	13279	1438	114	1.35			1.1	11811	1279	114	1.50	1.2	10370	1123	114	1.75			1.4	9225	999	114	1.95	3.3	3934	426	70	3.30	GR149R99 GRF149R99	4P	1.7	7674	831	51	1.05			3.8	3398	368	70	3.90	0.82	15745	1705	39	0.85	GR149R99 GRF149R99	4P	1.9	6741	730	53	1.20			0.91	14184	1536	57	0.90			1.1	12273	1329	61	1.05			1.2	10767	1166	63	1.20			1.4	9502	1029	65	1.35			1.6	8209	889	67	1.60	1.8	7240	784	68	1.85			2.0	6418	695			68	2.05	2.3	5716	619			69	2.30	2.5	5153	558			69	2.55	7.7	1775	182.55			11	0.95	9.0	1517	156.01	16	1.00	9.8	1390	143.03			17	1.05	11			1220	125.51	18	1.20	12	1156	118.94	18	1.30	13	1012	104.10	19	1.45	15	912	93.78	19	1.65	17	800	82.27	19	1.85	19	708	72.88	19	2.10	22	622	63.96	19	2.40	23	589	60.61	19	2.50	26	516	53.05	19	2.90	29	465	47.79	19	3.20	33	407	41.92	19	3.70	38	360	37.00	19	4.10																																																																																																																									
729	14	1.92	2.2	4.80			848	12	1.65			2.1	5.60	946	11	1.48			2.0	6.10	1111	9.2	1.26	1.9	6.40	0.32	40576	4394	128	0.9	GR179R99 GRF179R99	4P	1.3	1006	1090	31	0.80			0.35	36476	3950	128	1.0			0.41	31665	3429	128	1.2			0.45	28609	3098	128	1.3			0.48	26909	2914	128	1.4			0.52	24767	2682	128	1.5			0.61	21184	2294	128	1.7	0.65	19928	2158	128	1.8			0.76	17047	1846			128	2.1	1.0	13252	1435			128	2.8	1.2	10980	1189	128	3.3	0.60	21544	2333	114	0.85	GR169R99 GRF169R99	4P	1.5	8782	951	48	0.90			0.67	19254	2085	114	0.95			0.75	17333	1877	114	1.05			0.84	15422	1670	114	1.15			0.97	13279	1438	114	1.35			1.1	11811	1279	114	1.50			1.2	10370	1123	114	1.75	1.4	9225	999	114	1.95	3.3	3934	426	70	3.30	GR149R99 GRF149R99	4P	1.7	7674	831	51	1.05			3.8	3398	368	70	3.90	0.82	15745	1705	39	0.85	GR149R99 GRF149R99	4P	1.9	6741	730	53	1.20			0.91	14184	1536	57	0.90			1.1	12273	1329	61	1.05			1.2	10767	1166	63	1.20			1.4	9502	1029	65	1.35			1.6	8209	889	67	1.60			1.8	7240	784	68	1.85	2.0	6418	695	68	2.05			2.3	5716	619			69	2.30	2.5	5153	558			69	2.55	7.7	1775	182.55			11	0.95	9.0	1517	156.01			16	1.00	9.8	1390	143.03	17	1.05	11	1220	125.51			18	1.20	12	1156	118.94	18	1.30	13	1012	104.10	19	1.45	15	912	93.78	19	1.65	17	800	82.27	19	1.85	19	708	72.88	19	2.10	22	622	63.96	19	2.40	23	589	60.61	19	2.50	26	516	53.05	19	2.90	29	465	47.79	19	3.20	33	407	41.92	19	3.70	38	360	37.00	19	4.10																																																																																																																																
848	12	1.65	2.1	5.60			946	11	1.48			2.0	6.10	1111	9.2	1.26	1.9	6.40	0.32	40576	4394	128	0.9	GR179R99 GRF179R99	4P	1.3	1006	1090	31	0.80			0.35	36476	3950	128	1.0			0.41	31665	3429	128	1.2			0.45	28609	3098	128	1.3			0.48	26909	2914	128	1.4			0.52	24767	2682	128	1.5			0.61	21184	2294	128	1.7			0.65	19928	2158	128	1.8	0.76	17047	1846	128	2.1			1.0	13252	1435			128	2.8	1.2	10980	1189	128	3.3	0.60	21544	2333	114	0.85	GR169R99 GRF169R99	4P	1.5	8782	951	48	0.90			0.67	19254	2085	114	0.95			0.75	17333	1877	114	1.05			0.84	15422	1670	114	1.15			0.97	13279	1438	114	1.35			1.1	11811	1279	114	1.50			1.2	10370	1123	114	1.75	1.4	9225	999	114	1.95	3.3	3934	426	70	3.30	GR149R99 GRF149R99	4P	1.7	7674	831	51	1.05			3.8	3398	368	70	3.90	0.82	15745	1705	39	0.85	GR149R99 GRF149R99	4P	1.9	6741	730	53	1.20			0.91	14184	1536	57	0.90			1.1	12273	1329	61	1.05			1.2	10767	1166	63	1.20			1.4	9502	1029	65	1.35			1.6	8209	889	67	1.60			1.8	7240	784	68	1.85			2.0	6418	695	68	2.05	2.3	5716	619	69	2.30			2.5	5153	558			69	2.55	7.7	1775	182.55			11	0.95	9.0	1517	156.01			16	1.00	9.8	1390	143.03			17	1.05	11	1220	125.51	18	1.20	12	1156	118.94	18	1.30	13	1012	104.10	19	1.45	15	912	93.78	19	1.65	17	800	82.27	19	1.85	19	708	72.88	19	2.10	22	622	63.96	19	2.40	23	589	60.61	19	2.50	26	516	53.05	19	2.90	29	465	47.79	19	3.20	33	407	41.92	19	3.70	38	360	37.00	19	4.10																																																																																																																																							
946	11	1.48	2.0	6.10			1111	9.2	1.26	1.9	6.40	0.32	40576	4394	128	0.9	GR179R99 GRF179R99	4P	1.3	1006	1090	31	0.80			0.35	36476	3950	128	1.0			0.41	31665	3429	128	1.2			0.45	28609	3098	128	1.3			0.48	26909	2914	128	1.4			0.52	24767	2682	128	1.5			0.61	21184	2294	128	1.7			0.65	19928	2158	128	1.8			0.76	17047	1846	128	2.1	1.0	13252	1435	128	2.8			1.2	10980	1189	128	3.3	0.60	21544	2333	114	0.85	GR169R99 GRF169R99	4P	1.5	8782	951	48	0.90			0.67	19254	2085	114	0.95			0.75	17333	1877	114	1.05			0.84	15422	1670	114	1.15			0.97	13279	1438	114	1.35			1.1	11811	1279	114	1.50			1.2	10370	1123	114	1.75	1.4	9225	999	114	1.95	3.3	3934	426	70	3.30	GR149R99 GRF149R99	4P	1.7	7674	831	51	1.05			3.8	3398	368	70	3.90	0.82	15745	1705	39	0.85	GR149R99 GRF149R99	4P	1.9	6741	730	53	1.20			0.91	14184	1536	57	0.90			1.1	12273	1329	61	1.05			1.2	10767	1166	63	1.20			1.4	9502	1029	65	1.35			1.6	8209	889	67	1.60			1.8	7240	784	68	1.85			2.0	6418	695	68	2.05			2.3	5716	619	69	2.30	2.5	5153	558	69	2.55			7.7	1775	182.55			11	0.95	9.0	1517	156.01			16	1.00	9.8	1390	143.03			17	1.05	11	1220	125.51	18	1.20	12	1156	118.94	18	1.30	13	1012	104.10	19	1.45	15	912	93.78	19	1.65	17	800	82.27	19	1.85	19	708	72.88	19	2.10	22	622	63.96	19	2.40	23	589	60.61	19	2.50	26	516	53.05	19	2.90	29	465	47.79	19	3.20	33	407	41.92	19	3.70	38	360	37.00	19	4.10																																																																																																																																														
1111	9.2	1.26	1.9	6.40	0.32	40576	4394	128	0.9	GR179R99 GRF179R99	4P	1.3	1006	1090	31	0.80			0.35	36476	3950	128	1.0			0.41	31665	3429	128	1.2			0.45	28609	3098	128	1.3			0.48	26909	2914	128	1.4			0.52	24767	2682	128	1.5			0.61	21184	2294	128	1.7			0.65	19928	2158	128	1.8			0.76	17047	1846	128	2.1			1.0	13252	1435	128	2.8	1.2	10980	1189	128	3.3	0.60	21544	2333	114	0.85	GR169R99 GRF169R99	4P	1.5	8782	951	48	0.90			0.67	19254	2085	114	0.95			0.75	17333	1877	114	1.05			0.84	15422	1670	114	1.15			0.97	13279	1438	114	1.35			1.1	11811	1279	114	1.50			1.2	10370	1123	114	1.75	1.4	9225	999	114	1.95	3.3	3934	426	70	3.30	GR149R99 GRF149R99	4P	1.7	7674	831	51	1.05			3.8	3398	368	70	3.90	0.82	15745	1705	39	0.85	GR149R99 GRF149R99	4P	1.9	6741	730	53	1.20			0.91	14184	1536	57	0.90			1.1	12273	1329	61	1.05			1.2	10767	1166	63	1.20			1.4	9502	1029	65	1.35			1.6	8209	889	67	1.60			1.8	7240	784	68	1.85			2.0	6418	695	68	2.05			2.3	5716	619	69	2.30			2.5	5153	558	69	2.55	7.7	1775	182.55	11	0.95			9.0	1517	156.01			16	1.00	9.8	1390	143.03			17	1.05	11	1220	125.51	18	1.20	12	1156	118.94	18	1.30	13	1012	104.10	19	1.45	15	912	93.78	19	1.65	17	800	82.27	19	1.85	19	708	72.88	19	2.10	22	622	63.96	19	2.40	23	589	60.61	19	2.50	26	516	53.05	19	2.90	29	465	47.79	19	3.20	33	407	41.92	19	3.70	38	360	37.00	19	4.10																																																																																																																																																					
0.32	40576	4394	128	0.9	GR179R99 GRF179R99	4P	1.3	1006	1090			31	0.80	0.35	36476	3950			128	1.0	0.41	31665	3429			128	1.2	0.45	28609	3098			128	1.3	0.48	26909	2914			128	1.4	0.52	24767	2682			128	1.5	0.61	21184	2294			128	1.7	0.65	19928	2158			128	1.8	0.76	17047	1846			128	2.1	1.0	13252	1435	128	2.8	1.2	10980	1189	128	3.3	0.60	21544	2333	114	0.85	GR169R99 GRF169R99	4P	1.5	8782	951			48	0.90	0.67	19254	2085			114	0.95	0.75	17333	1877			114	1.05	0.84	15422	1670			114	1.15	0.97	13279	1438			114	1.35	1.1	11811	1279			114	1.50	1.2	10370	1123	114	1.75	1.4	9225	999	114	1.95	3.3	3934	426	70	3.30	GR149R99 GRF149R99	4P	1.7	7674	831			51	1.05	3.8	3398	368	70	3.90	0.82	15745	1705	39	0.85	GR149R99 GRF149R99	4P	1.9	6741	730			53	1.20	0.91	14184	1536			57	0.90	1.1	12273	1329			61	1.05	1.2	10767	1166			63	1.20	1.4	9502	1029			65	1.35	1.6	8209	889			67	1.60	1.8	7240	784			68	1.85	2.0	6418	695			68	2.05	2.3	5716	619			69	2.30	2.5	5153	558			69	2.55	7.7	1775	182.55	11	0.95	9.0	1517	156.01			16	1.00	9.8			1390	143.03	17	1.05	11	1220	125.51	18	1.20	12	1156	118.94	18	1.30	13	1012	104.10	19	1.45	15	912	93.78	19	1.65	17	800	82.27	19	1.85	19	708	72.88	19	2.10	22	622	63.96	19	2.40	23	589	60.61	19	2.50	26	516	53.05	19	2.90	29	465	47.79	19	3.20	33	407	41.92	19	3.70	38	360	37.00	19	4.10																																																																																																																																																										
0.35	36476	3950	128	1.0			0.41	31665	3429			128	1.2	0.45	28609	3098			128	1.3	0.48	26909	2914			128	1.4	0.52	24767	2682			128	1.5	0.61	21184	2294			128	1.7	0.65	19928	2158			128	1.8	0.76	17047	1846			128	2.1	1.0	13252	1435			128	2.8	1.2	10980	1189	128	3.3	0.60	21544	2333	114	0.85	GR169R99 GRF169R99	4P	1.5	8782	951	48	0.90	0.67	19254	2085	114	0.95			0.75	17333	1877			114	1.05	0.84	15422	1670			114	1.15	0.97	13279	1438			114	1.35	1.1	11811	1279			114	1.50	1.2	10370	1123			114	1.75	1.4	9225	999	114	1.95	3.3	3934	426	70	3.30	GR149R99 GRF149R99	4P	1.7	7674	831	51	1.05	3.8	3398	368	70	3.90			0.82	15745	1705	39	0.85	GR149R99 GRF149R99	4P	1.9	6741	730	53	1.20	0.91	14184	1536	57	0.90			1.1	12273	1329			61	1.05	1.2	10767	1166			63	1.20	1.4	9502	1029			65	1.35	1.6	8209	889			67	1.60	1.8	7240	784			68	1.85	2.0	6418	695			68	2.05	2.3	5716	619			69	2.30	2.5	5153	558			69	2.55	7.7	1775	182.55			11	0.95	9.0	1517	156.01			16	1.00	9.8	1390	143.03	17	1.05	11	1220	125.51			18	1.20	12	1156	118.94	18	1.30	13	1012	104.10	19	1.45	15	912	93.78	19	1.65	17	800	82.27	19	1.85	19	708	72.88	19	2.10	22	622	63.96	19	2.40	23	589	60.61	19	2.50	26	516	53.05	19	2.90	29	465	47.79	19	3.20	33	407	41.92	19	3.70	38	360	37.00	19	4.10																																																																																																																																																																						
0.41	31665	3429	128	1.2			0.45	28609	3098			128	1.3	0.48	26909	2914			128	1.4	0.52	24767	2682			128	1.5	0.61	21184	2294			128	1.7	0.65	19928	2158			128	1.8	0.76	17047	1846			128	2.1	1.0	13252	1435			128	2.8	1.2	10980	1189	128	3.3	0.60	21544	2333	114	0.85	GR169R99 GRF169R99	4P	1.5	8782	951	48	0.90			0.67	19254	2085	114	0.95	0.75	17333	1877	114	1.05			0.84	15422	1670			114	1.15	0.97	13279	1438			114	1.35	1.1	11811	1279			114	1.50	1.2	10370	1123			114	1.75	1.4	9225	999	114	1.95	3.3	3934	426	70	3.30	GR149R99 GRF149R99	4P	1.7	7674	831	51	1.05			3.8	3398	368	70	3.90	0.82	15745	1705	39	0.85	GR149R99 GRF149R99	4P	1.9	6741	730	53	1.20			0.91	14184	1536	57	0.90	1.1	12273	1329	61	1.05			1.2	10767	1166			63	1.20	1.4	9502	1029			65	1.35	1.6	8209	889			67	1.60	1.8	7240	784			68	1.85	2.0	6418	695			68	2.05	2.3	5716	619			69	2.30	2.5	5153	558			69	2.55	7.7	1775	182.55			11	0.95	9.0	1517	156.01			16	1.00	9.8	1390	143.03			17	1.05	11	1220	125.51	18	1.20	12	1156	118.94	18	1.30	13	1012	104.10	19	1.45	15	912	93.78	19	1.65	17	800	82.27	19	1.85	19	708	72.88	19	2.10	22	622	63.96	19	2.40	23	589	60.61	19	2.50	26	516	53.05	19	2.90	29	465	47.79	19	3.20	33	407	41.92	19	3.70	38	360	37.00	19	4.10																																																																																																																																																																													
0.45	28609	3098	128	1.3			0.48	26909	2914			128	1.4	0.52	24767	2682			128	1.5	0.61	21184	2294			128	1.7	0.65	19928	2158			128	1.8	0.76	17047	1846			128	2.1	1.0	13252	1435			128	2.8	1.2	10980	1189	128	3.3	0.60	21544	2333	114	0.85	GR169R99 GRF169R99	4P	1.5	8782	951	48	0.90			0.67	19254	2085	114	0.95			0.75	17333	1877	114	1.05	0.84	15422	1670	114	1.15			0.97	13279	1438			114	1.35	1.1	11811	1279			114	1.50	1.2	10370	1123			114	1.75	1.4	9225	999	114	1.95	3.3	3934	426	70	3.30	GR149R99 GRF149R99	4P	1.7	7674	831	51	1.05			3.8	3398	368	70	3.90	0.82	15745	1705	39	0.85	GR149R99 GRF149R99	4P	1.9	6741	730	53	1.20			0.91	14184	1536	57	0.90			1.1	12273	1329	61	1.05	1.2	10767	1166	63	1.20			1.4	9502	1029			65	1.35	1.6	8209	889			67	1.60	1.8	7240	784			68	1.85	2.0	6418	695			68	2.05	2.3	5716	619			69	2.30	2.5	5153	558			69	2.55	7.7	1775	182.55			11	0.95	9.0	1517	156.01			16	1.00	9.8	1390	143.03			17	1.05	11	1220	125.51	18	1.20	12	1156	118.94	18	1.30	13	1012	104.10	19	1.45	15	912	93.78	19	1.65	17	800	82.27	19	1.85	19	708	72.88	19	2.10	22	622	63.96	19	2.40	23	589	60.61	19	2.50	26	516	53.05	19	2.90	29	465	47.79	19	3.20	33	407	41.92	19	3.70	38	360	37.00	19	4.10																																																																																																																																																																																				
0.48	26909	2914	128	1.4			0.52	24767	2682			128	1.5	0.61	21184	2294			128	1.7	0.65	19928	2158			128	1.8	0.76	17047	1846			128	2.1	1.0	13252	1435			128	2.8	1.2	10980	1189	128	3.3	0.60	21544	2333	114	0.85	GR169R99 GRF169R99	4P	1.5	8782	951	48	0.90			0.67	19254	2085	114	0.95			0.75	17333	1877	114	1.05			0.84	15422	1670	114	1.15	0.97	13279	1438	114	1.35			1.1	11811	1279			114	1.50	1.2	10370	1123			114	1.75	1.4	9225	999	114	1.95	3.3	3934	426	70	3.30	GR149R99 GRF149R99	4P	1.7	7674	831	51	1.05			3.8	3398	368	70	3.90	0.82	15745	1705	39	0.85	GR149R99 GRF149R99	4P	1.9	6741	730	53	1.20			0.91	14184	1536	57	0.90			1.1	12273	1329	61	1.05			1.2	10767	1166	63	1.20	1.4	9502	1029	65	1.35			1.6	8209	889			67	1.60	1.8	7240	784			68	1.85	2.0	6418	695			68	2.05	2.3	5716	619			69	2.30	2.5	5153	558			69	2.55	7.7	1775	182.55			11	0.95	9.0	1517	156.01			16	1.00	9.8	1390	143.03			17	1.05	11	1220	125.51	18	1.20	12	1156	118.94	18	1.30	13	1012	104.10	19	1.45	15	912	93.78	19	1.65	17	800	82.27	19	1.85	19	708	72.88	19	2.10	22	622	63.96	19	2.40	23	589	60.61	19	2.50	26	516	53.05	19	2.90	29	465	47.79	19	3.20	33	407	41.92	19	3.70	38	360	37.00	19	4.10																																																																																																																																																																																											
0.52	24767	2682	128	1.5			0.61	21184	2294			128	1.7	0.65	19928	2158			128	1.8	0.76	17047	1846			128	2.1	1.0	13252	1435			128	2.8	1.2	10980	1189	128	3.3	0.60	21544	2333	114	0.85	GR169R99 GRF169R99	4P	1.5	8782	951	48	0.90			0.67	19254	2085	114	0.95			0.75	17333	1877	114	1.05			0.84	15422	1670	114	1.15			0.97	13279	1438	114	1.35	1.1	11811	1279	114	1.50			1.2	10370	1123			114	1.75	1.4	9225	999	114	1.95	3.3	3934	426	70	3.30	GR149R99 GRF149R99	4P	1.7	7674	831	51	1.05			3.8	3398	368	70	3.90	0.82	15745	1705	39	0.85	GR149R99 GRF149R99	4P	1.9	6741	730	53	1.20			0.91	14184	1536	57	0.90			1.1	12273	1329	61	1.05			1.2	10767	1166	63	1.20			1.4	9502	1029	65	1.35	1.6	8209	889	67	1.60			1.8	7240	784			68	1.85	2.0	6418	695			68	2.05	2.3	5716	619			69	2.30	2.5	5153	558			69	2.55	7.7	1775	182.55			11	0.95	9.0	1517	156.01			16	1.00	9.8	1390	143.03			17	1.05	11	1220	125.51	18	1.20	12	1156	118.94	18	1.30	13	1012	104.10	19	1.45	15	912	93.78	19	1.65	17	800	82.27	19	1.85	19	708	72.88	19	2.10	22	622	63.96	19	2.40	23	589	60.61	19	2.50	26	516	53.05	19	2.90	29	465	47.79	19	3.20	33	407	41.92	19	3.70	38	360	37.00	19	4.10																																																																																																																																																																																																		
0.61	21184	2294	128	1.7			0.65	19928	2158			128	1.8	0.76	17047	1846			128	2.1	1.0	13252	1435			128	2.8	1.2	10980	1189	128	3.3	0.60	21544	2333	114	0.85	GR169R99 GRF169R99	4P	1.5	8782	951	48	0.90			0.67	19254	2085	114	0.95			0.75	17333	1877	114	1.05			0.84	15422	1670	114	1.15			0.97	13279	1438	114	1.35			1.1	11811	1279	114	1.50	1.2	10370	1123	114	1.75			1.4	9225	999	114	1.95	3.3	3934	426	70	3.30	GR149R99 GRF149R99	4P	1.7	7674	831	51	1.05			3.8	3398	368	70	3.90	0.82	15745	1705	39	0.85	GR149R99 GRF149R99	4P	1.9	6741	730	53	1.20			0.91	14184	1536	57	0.90			1.1	12273	1329	61	1.05			1.2	10767	1166	63	1.20			1.4	9502	1029	65	1.35			1.6	8209	889	67	1.60	1.8	7240	784	68	1.85			2.0	6418	695			68	2.05	2.3	5716	619			69	2.30	2.5	5153	558			69	2.55	7.7	1775	182.55			11	0.95	9.0	1517	156.01			16	1.00	9.8	1390	143.03			17	1.05	11	1220	125.51	18	1.20	12	1156	118.94	18	1.30	13	1012	104.10	19	1.45	15	912	93.78	19	1.65	17	800	82.27	19	1.85	19	708	72.88	19	2.10	22	622	63.96	19	2.40	23	589	60.61	19	2.50	26	516	53.05	19	2.90	29	465	47.79	19	3.20	33	407	41.92	19	3.70	38	360	37.00	19	4.10																																																																																																																																																																																																									
0.65	19928	2158	128	1.8			0.76	17047	1846			128	2.1	1.0	13252	1435			128	2.8	1.2	10980	1189	128	3.3	0.60	21544	2333	114	0.85	GR169R99 GRF169R99	4P	1.5	8782	951	48	0.90			0.67	19254	2085	114	0.95			0.75	17333	1877	114	1.05			0.84	15422	1670	114	1.15			0.97	13279	1438	114	1.35			1.1	11811	1279	114	1.50			1.2	10370	1123	114	1.75	1.4	9225	999	114	1.95	3.3	3934	426	70	3.30	GR149R99 GRF149R99	4P	1.7	7674	831	51	1.05			3.8	3398	368	70	3.90	0.82	15745	1705	39	0.85	GR149R99 GRF149R99	4P	1.9	6741	730	53	1.20			0.91	14184	1536	57	0.90			1.1	12273	1329	61	1.05			1.2	10767	1166	63	1.20			1.4	9502	1029	65	1.35			1.6	8209	889	67	1.60			1.8	7240	784	68	1.85	2.0	6418	695	68	2.05			2.3	5716	619			69	2.30	2.5	5153	558			69	2.55	7.7	1775	182.55			11	0.95	9.0	1517	156.01			16	1.00	9.8	1390	143.03			17	1.05	11	1220	125.51	18	1.20	12	1156	118.94	18	1.30	13	1012	104.10	19	1.45	15	912	93.78	19	1.65	17	800	82.27	19	1.85	19	708	72.88	19	2.10	22	622	63.96	19	2.40	23	589	60.61	19	2.50	26	516	53.05	19	2.90	29	465	47.79	19	3.20	33	407	41.92	19	3.70	38	360	37.00	19	4.10																																																																																																																																																																																																																
0.76	17047	1846	128	2.1			1.0	13252	1435			128	2.8	1.2	10980	1189	128	3.3	0.60	21544	2333	114	0.85	GR169R99 GRF169R99	4P	1.5	8782	951	48	0.90			0.67	19254	2085	114	0.95			0.75	17333	1877	114	1.05			0.84	15422	1670	114	1.15			0.97	13279	1438	114	1.35			1.1	11811	1279	114	1.50			1.2	10370	1123	114	1.75	1.4	9225	999	114	1.95	3.3	3934	426	70	3.30	GR149R99 GRF149R99	4P	1.7	7674	831	51	1.05			3.8	3398	368	70	3.90	0.82	15745	1705	39	0.85	GR149R99 GRF149R99	4P	1.9	6741	730	53	1.20			0.91	14184	1536	57	0.90			1.1	12273	1329	61	1.05			1.2	10767	1166	63	1.20			1.4	9502	1029	65	1.35			1.6	8209	889	67	1.60			1.8	7240	784	68	1.85			2.0	6418	695	68	2.05	2.3	5716	619	69	2.30			2.5	5153	558			69	2.55	7.7	1775	182.55			11	0.95	9.0	1517	156.01			16	1.00	9.8	1390	143.03			17	1.05	11	1220	125.51	18	1.20	12	1156	118.94	18	1.30	13	1012	104.10	19	1.45	15	912	93.78	19	1.65	17	800	82.27	19	1.85	19	708	72.88	19	2.10	22	622	63.96	19	2.40	23	589	60.61	19	2.50	26	516	53.05	19	2.90	29	465	47.79	19	3.20	33	407	41.92	19	3.70	38	360	37.00	19	4.10																																																																																																																																																																																																																							
1.0	13252	1435	128	2.8			1.2	10980	1189	128	3.3	0.60	21544	2333	114	0.85	GR169R99 GRF169R99	4P	1.5	8782	951	48	0.90			0.67	19254	2085	114	0.95			0.75	17333	1877	114	1.05			0.84	15422	1670	114	1.15			0.97	13279	1438	114	1.35			1.1	11811	1279	114	1.50			1.2	10370	1123	114	1.75	1.4	9225	999	114	1.95	3.3	3934	426	70	3.30	GR149R99 GRF149R99	4P	1.7	7674	831	51	1.05			3.8	3398	368	70	3.90	0.82	15745	1705	39	0.85	GR149R99 GRF149R99	4P	1.9	6741	730	53	1.20			0.91	14184	1536	57	0.90			1.1	12273	1329	61	1.05			1.2	10767	1166	63	1.20			1.4	9502	1029	65	1.35			1.6	8209	889	67	1.60			1.8	7240	784	68	1.85			2.0	6418	695	68	2.05			2.3	5716	619	69	2.30	2.5	5153	558	69	2.55			7.7	1775	182.55			11	0.95	9.0	1517	156.01			16	1.00	9.8	1390	143.03			17	1.05	11	1220	125.51	18	1.20	12	1156	118.94	18	1.30	13	1012	104.10	19	1.45	15	912	93.78	19	1.65	17	800	82.27	19	1.85	19	708	72.88	19	2.10	22	622	63.96	19	2.40	23	589	60.61	19	2.50	26	516	53.05	19	2.90	29	465	47.79	19	3.20	33	407	41.92	19	3.70	38	360	37.00	19	4.10																																																																																																																																																																																																																														
1.2	10980	1189	128	3.3	0.60	21544	2333	114	0.85	GR169R99 GRF169R99	4P	1.5	8782	951	48	0.90			0.67	19254	2085	114	0.95			0.75	17333	1877	114	1.05			0.84	15422	1670	114	1.15			0.97	13279	1438	114	1.35			1.1	11811	1279	114	1.50			1.2	10370	1123	114	1.75	1.4	9225	999	114	1.95	3.3	3934	426	70	3.30	GR149R99 GRF149R99	4P	1.7	7674	831	51	1.05			3.8	3398	368	70	3.90	0.82	15745	1705	39	0.85	GR149R99 GRF149R99	4P	1.9	6741	730	53	1.20			0.91	14184	1536	57	0.90			1.1	12273	1329	61	1.05			1.2	10767	1166	63	1.20			1.4	9502	1029	65	1.35			1.6	8209	889	67	1.60			1.8	7240	784	68	1.85			2.0	6418	695	68	2.05			2.3	5716	619	69	2.30			2.5	5153	558	69	2.55	7.7	1775	182.55	11	0.95			9.0	1517	156.01			16	1.00	9.8	1390	143.03			17	1.05	11	1220	125.51	18	1.20	12	1156	118.94	18	1.30	13	1012	104.10	19	1.45	15	912	93.78	19	1.65	17	800	82.27	19	1.85	19	708	72.88	19	2.10	22	622	63.96	19	2.40	23	589	60.61	19	2.50	26	516	53.05	19	2.90	29	465	47.79	19	3.20	33	407	41.92	19	3.70	38	360	37.00	19	4.10																																																																																																																																																																																																																																					
0.60	21544	2333	114	0.85	GR169R99 GRF169R99	4P	1.5	8782	951			48	0.90	0.67	19254	2085			114	0.95	0.75	17333	1877			114	1.05	0.84	15422	1670			114	1.15	0.97	13279	1438			114	1.35	1.1	11811	1279			114	1.50	1.2	10370	1123	114	1.75	1.4	9225	999	114	1.95	3.3	3934	426	70	3.30	GR149R99 GRF149R99	4P	1.7	7674	831			51	1.05	3.8	3398	368	70	3.90	0.82	15745	1705	39	0.85	GR149R99 GRF149R99	4P	1.9	6741	730			53	1.20	0.91	14184	1536			57	0.90	1.1	12273	1329			61	1.05	1.2	10767	1166			63	1.20	1.4	9502	1029			65	1.35	1.6	8209	889			67	1.60	1.8	7240	784			68	1.85	2.0	6418	695			68	2.05	2.3	5716	619			69	2.30	2.5	5153	558			69	2.55	7.7	1775	182.55	11	0.95	9.0	1517	156.01			16	1.00	9.8			1390	143.03	17	1.05	11	1220	125.51	18	1.20	12	1156	118.94	18	1.30	13	1012	104.10	19	1.45	15	912	93.78	19	1.65	17	800	82.27	19	1.85	19	708	72.88	19	2.10	22	622	63.96	19	2.40	23	589	60.61	19	2.50	26	516	53.05	19	2.90	29	465	47.79	19	3.20	33	407	41.92	19	3.70	38	360	37.00	19	4.10																																																																																																																																																																																																																																										
0.67	19254	2085	114	0.95			0.75	17333	1877			114	1.05	0.84	15422	1670			114	1.15	0.97	13279	1438			114	1.35	1.1	11811	1279			114	1.50	1.2	10370	1123			114	1.75	1.4	9225	999	114	1.95	3.3	3934	426	70	3.30	GR149R99 GRF149R99	4P	1.7	7674	831	51	1.05	3.8	3398	368	70	3.90			0.82	15745	1705	39	0.85	GR149R99 GRF149R99	4P	1.9	6741	730	53	1.20	0.91	14184	1536	57	0.90			1.1	12273	1329			61	1.05	1.2	10767	1166			63	1.20	1.4	9502	1029			65	1.35	1.6	8209	889			67	1.60	1.8	7240	784			68	1.85	2.0	6418	695			68	2.05	2.3	5716	619			69	2.30	2.5	5153	558			69	2.55	7.7	1775	182.55			11	0.95	9.0	1517	156.01			16	1.00	9.8	1390	143.03	17	1.05	11	1220	125.51			18	1.20	12	1156	118.94	18	1.30	13	1012	104.10	19	1.45	15	912	93.78	19	1.65	17	800	82.27	19	1.85	19	708	72.88	19	2.10	22	622	63.96	19	2.40	23	589	60.61	19	2.50	26	516	53.05	19	2.90	29	465	47.79	19	3.20	33	407	41.92	19	3.70	38	360	37.00	19	4.10																																																																																																																																																																																																																																																						
0.75	17333	1877	114	1.05			0.84	15422	1670			114	1.15	0.97	13279	1438			114	1.35	1.1	11811	1279			114	1.50	1.2	10370	1123			114	1.75	1.4	9225	999	114	1.95	3.3	3934	426	70	3.30	GR149R99 GRF149R99	4P	1.7	7674	831	51	1.05			3.8	3398	368	70	3.90	0.82	15745	1705	39	0.85	GR149R99 GRF149R99	4P	1.9	6741	730	53	1.20			0.91	14184	1536	57	0.90	1.1	12273	1329	61	1.05			1.2	10767	1166			63	1.20	1.4	9502	1029			65	1.35	1.6	8209	889			67	1.60	1.8	7240	784			68	1.85	2.0	6418	695			68	2.05	2.3	5716	619			69	2.30	2.5	5153	558			69	2.55	7.7	1775	182.55			11	0.95	9.0	1517	156.01			16	1.00	9.8	1390	143.03			17	1.05	11	1220	125.51	18	1.20	12	1156	118.94	18	1.30	13	1012	104.10	19	1.45	15	912	93.78	19	1.65	17	800	82.27	19	1.85	19	708	72.88	19	2.10	22	622	63.96	19	2.40	23	589	60.61	19	2.50	26	516	53.05	19	2.90	29	465	47.79	19	3.20	33	407	41.92	19	3.70	38	360	37.00	19	4.10																																																																																																																																																																																																																																																													
0.84	15422	1670	114	1.15			0.97	13279	1438			114	1.35	1.1	11811	1279			114	1.50	1.2	10370	1123			114	1.75	1.4	9225	999	114	1.95	3.3	3934	426	70	3.30	GR149R99 GRF149R99	4P	1.7	7674	831	51	1.05			3.8	3398	368	70	3.90	0.82	15745	1705	39	0.85	GR149R99 GRF149R99	4P	1.9	6741	730	53	1.20			0.91	14184	1536	57	0.90			1.1	12273	1329	61	1.05	1.2	10767	1166	63	1.20			1.4	9502	1029			65	1.35	1.6	8209	889			67	1.60	1.8	7240	784			68	1.85	2.0	6418	695			68	2.05	2.3	5716	619			69	2.30	2.5	5153	558			69	2.55	7.7	1775	182.55			11	0.95	9.0	1517	156.01			16	1.00	9.8	1390	143.03			17	1.05	11	1220	125.51	18	1.20	12	1156	118.94	18	1.30	13	1012	104.10	19	1.45	15	912	93.78	19	1.65	17	800	82.27	19	1.85	19	708	72.88	19	2.10	22	622	63.96	19	2.40	23	589	60.61	19	2.50	26	516	53.05	19	2.90	29	465	47.79	19	3.20	33	407	41.92	19	3.70	38	360	37.00	19	4.10																																																																																																																																																																																																																																																																				
0.97	13279	1438	114	1.35			1.1	11811	1279			114	1.50	1.2	10370	1123			114	1.75	1.4	9225	999	114	1.95	3.3	3934	426	70	3.30	GR149R99 GRF149R99	4P	1.7	7674	831	51	1.05			3.8	3398	368	70	3.90	0.82	15745	1705	39	0.85	GR149R99 GRF149R99	4P	1.9	6741	730	53	1.20			0.91	14184	1536	57	0.90			1.1	12273	1329	61	1.05			1.2	10767	1166	63	1.20	1.4	9502	1029	65	1.35			1.6	8209	889			67	1.60	1.8	7240	784			68	1.85	2.0	6418	695			68	2.05	2.3	5716	619			69	2.30	2.5	5153	558			69	2.55	7.7	1775	182.55			11	0.95	9.0	1517	156.01			16	1.00	9.8	1390	143.03			17	1.05	11	1220	125.51	18	1.20	12	1156	118.94	18	1.30	13	1012	104.10	19	1.45	15	912	93.78	19	1.65	17	800	82.27	19	1.85	19	708	72.88	19	2.10	22	622	63.96	19	2.40	23	589	60.61	19	2.50	26	516	53.05	19	2.90	29	465	47.79	19	3.20	33	407	41.92	19	3.70	38	360	37.00	19	4.10																																																																																																																																																																																																																																																																											
1.1	11811	1279	114	1.50			1.2	10370	1123			114	1.75	1.4	9225	999	114	1.95	3.3	3934	426	70	3.30	GR149R99 GRF149R99	4P	1.7	7674	831	51	1.05			3.8	3398	368	70	3.90	0.82	15745	1705	39	0.85	GR149R99 GRF149R99	4P	1.9	6741	730	53	1.20			0.91	14184	1536	57	0.90			1.1	12273	1329	61	1.05			1.2	10767	1166	63	1.20			1.4	9502	1029	65	1.35	1.6	8209	889	67	1.60			1.8	7240	784			68	1.85	2.0	6418	695			68	2.05	2.3	5716	619			69	2.30	2.5	5153	558			69	2.55	7.7	1775	182.55			11	0.95	9.0	1517	156.01			16	1.00	9.8	1390	143.03			17	1.05	11	1220	125.51	18	1.20	12	1156	118.94	18	1.30	13	1012	104.10	19	1.45	15	912	93.78	19	1.65	17	800	82.27	19	1.85	19	708	72.88	19	2.10	22	622	63.96	19	2.40	23	589	60.61	19	2.50	26	516	53.05	19	2.90	29	465	47.79	19	3.20	33	407	41.92	19	3.70	38	360	37.00	19	4.10																																																																																																																																																																																																																																																																																		
1.2	10370	1123	114	1.75			1.4	9225	999	114	1.95	3.3	3934	426	70	3.30	GR149R99 GRF149R99	4P	1.7	7674	831	51	1.05			3.8	3398	368	70	3.90	0.82	15745	1705	39	0.85	GR149R99 GRF149R99	4P	1.9	6741	730	53	1.20			0.91	14184	1536	57	0.90			1.1	12273	1329	61	1.05			1.2	10767	1166	63	1.20			1.4	9502	1029	65	1.35			1.6	8209	889	67	1.60	1.8	7240	784	68	1.85			2.0	6418	695			68	2.05	2.3	5716	619			69	2.30	2.5	5153	558			69	2.55	7.7	1775	182.55			11	0.95	9.0	1517	156.01			16	1.00	9.8	1390	143.03			17	1.05	11	1220	125.51	18	1.20	12	1156	118.94	18	1.30	13	1012	104.10	19	1.45	15	912	93.78	19	1.65	17	800	82.27	19	1.85	19	708	72.88	19	2.10	22	622	63.96	19	2.40	23	589	60.61	19	2.50	26	516	53.05	19	2.90	29	465	47.79	19	3.20	33	407	41.92	19	3.70	38	360	37.00	19	4.10																																																																																																																																																																																																																																																																																									
1.4	9225	999	114	1.95	3.3	3934	426	70	3.30	GR149R99 GRF149R99	4P	1.7	7674	831	51	1.05			3.8	3398	368	70	3.90	0.82	15745	1705	39	0.85	GR149R99 GRF149R99	4P	1.9	6741	730	53	1.20			0.91	14184	1536	57	0.90			1.1	12273	1329	61	1.05			1.2	10767	1166	63	1.20			1.4	9502	1029	65	1.35			1.6	8209	889	67	1.60			1.8	7240	784	68	1.85	2.0	6418	695	68	2.05			2.3	5716	619			69	2.30	2.5	5153	558			69	2.55	7.7	1775	182.55			11	0.95	9.0	1517	156.01			16	1.00	9.8	1390	143.03			17	1.05	11	1220	125.51	18	1.20	12	1156	118.94	18	1.30	13	1012	104.10	19	1.45	15	912	93.78	19	1.65	17	800	82.27	19	1.85	19	708	72.88	19	2.10	22	622	63.96	19	2.40	23	589	60.61	19	2.50	26	516	53.05	19	2.90	29	465	47.79	19	3.20	33	407	41.92	19	3.70	38	360	37.00	19	4.10																																																																																																																																																																																																																																																																																																
3.3	3934	426	70	3.30	GR149R99 GRF149R99	4P	1.7	7674	831			51	1.05	3.8	3398	368	70	3.90	0.82	15745	1705	39	0.85	GR149R99 GRF149R99	4P	1.9	6741	730			53	1.20	0.91	14184	1536			57	0.90	1.1	12273	1329			61	1.05	1.2	10767	1166			63	1.20	1.4	9502	1029			65	1.35	1.6	8209	889			67	1.60	1.8	7240	784			68	1.85	2.0	6418	695	68	2.05	2.3	5716	619			69	2.30	2.5			5153	558	69	2.55	7.7			1775	182.55	11	0.95	9.0			1517	156.01	16	1.00	9.8			1390	143.03	17	1.05	11	1220	125.51	18	1.20	12	1156	118.94	18	1.30	13	1012	104.10	19	1.45	15	912	93.78	19	1.65	17	800	82.27	19	1.85	19	708	72.88	19	2.10	22	622	63.96	19	2.40	23	589	60.61	19	2.50	26	516	53.05	19	2.90	29	465	47.79	19	3.20	33	407	41.92	19	3.70	38	360	37.00	19	4.10																																																																																																																																																																																																																																																																																																					
3.8	3398	368	70	3.90			0.82	15745	1705	39	0.85	GR149R99 GRF149R99	4P	1.9	6741	730	53	1.20	0.91	14184	1536	57	0.90			1.1	12273	1329			61	1.05	1.2	10767	1166			63	1.20	1.4	9502	1029			65	1.35	1.6	8209	889			67	1.60	1.8	7240	784			68	1.85	2.0	6418	695			68	2.05	2.3	5716	619			69	2.30	2.5	5153	558	69	2.55	7.7	1775	182.55			11	0.95	9.0			1517	156.01	16	1.00	9.8			1390	143.03	17	1.05	11			1220	125.51	18	1.20	12	1156	118.94	18	1.30	13	1012	104.10	19	1.45	15	912	93.78	19	1.65	17	800	82.27	19	1.85	19	708	72.88	19	2.10	22	622	63.96	19	2.40	23	589	60.61	19	2.50	26	516	53.05	19	2.90	29	465	47.79	19	3.20	33	407	41.92	19	3.70	38	360	37.00	19	4.10																																																																																																																																																																																																																																																																																																																	
0.82	15745	1705	39	0.85	GR149R99 GRF149R99	4P	1.9	6741	730	53	1.20			0.91	14184	1536	57	0.90	1.1	12273	1329	61	1.05			1.2	10767	1166			63	1.20	1.4	9502	1029			65	1.35	1.6	8209	889			67	1.60	1.8	7240	784			68	1.85	2.0	6418	695			68	2.05	2.3	5716	619			69	2.30	2.5	5153	558			69	2.55	7.7	1775	182.55	11	0.95	9.0	1517	156.01			16	1.00	9.8			1390	143.03	17	1.05	11			1220	125.51	18	1.20	12	1156	118.94	18	1.30	13	1012	104.10	19	1.45	15	912	93.78	19	1.65	17	800	82.27	19	1.85	19	708	72.88	19	2.10	22	622	63.96	19	2.40	23	589	60.61	19	2.50	26	516	53.05	19	2.90	29	465	47.79	19	3.20	33	407	41.92	19	3.70	38	360	37.00	19	4.10																																																																																																																																																																																																																																																																																																																								
0.91	14184	1536	57	0.90			1.1	12273	1329	61	1.05			1.2	10767	1166	63	1.20	1.4	9502	1029	65	1.35			1.6	8209	889			67	1.60	1.8	7240	784			68	1.85	2.0	6418	695			68	2.05	2.3	5716	619			69	2.30	2.5	5153	558			69	2.55	7.7	1775	182.55			11	0.95	9.0	1517	156.01			16	1.00	9.8	1390	143.03	17	1.05	11	1220	125.51			18	1.20	12			1156	118.94	18	1.30	13	1012	104.10	19	1.45	15	912	93.78	19	1.65	17	800	82.27	19	1.85	19	708	72.88	19	2.10	22	622	63.96	19	2.40	23	589	60.61	19	2.50	26	516	53.05	19	2.90	29	465	47.79	19	3.20	33	407	41.92	19	3.70	38	360	37.00	19	4.10																																																																																																																																																																																																																																																																																																																																				
1.1	12273	1329	61	1.05			1.2	10767	1166	63	1.20			1.4	9502	1029	65	1.35	1.6	8209	889	67	1.60			1.8	7240	784			68	1.85	2.0	6418	695			68	2.05	2.3	5716	619			69	2.30	2.5	5153	558			69	2.55	7.7	1775	182.55			11	0.95	9.0	1517	156.01			16	1.00	9.8	1390	143.03			17	1.05	11	1220	125.51	18	1.20	12	1156	118.94			18	1.30	13	1012	104.10	19	1.45	15	912	93.78	19	1.65	17	800	82.27	19	1.85	19	708	72.88	19	2.10	22	622	63.96	19	2.40	23	589	60.61	19	2.50	26	516	53.05	19	2.90	29	465	47.79	19	3.20	33	407	41.92	19	3.70	38	360	37.00	19	4.10																																																																																																																																																																																																																																																																																																																																											
1.2	10767	1166	63	1.20			1.4	9502	1029	65	1.35			1.6	8209	889	67	1.60	1.8	7240	784	68	1.85			2.0	6418	695			68	2.05	2.3	5716	619			69	2.30	2.5	5153	558			69	2.55	7.7	1775	182.55			11	0.95	9.0	1517	156.01			16	1.00	9.8	1390	143.03			17	1.05	11	1220	125.51			18	1.20	12	1156	118.94	18	1.30	13	1012	104.10	19	1.45	15	912	93.78	19	1.65	17	800	82.27	19	1.85	19	708	72.88	19	2.10	22	622	63.96	19	2.40	23	589	60.61	19	2.50	26	516	53.05	19	2.90	29	465	47.79	19	3.20	33	407	41.92	19	3.70	38	360	37.00	19	4.10																																																																																																																																																																																																																																																																																																																																																		
1.4	9502	1029	65	1.35			1.6	8209	889	67	1.60			1.8	7240	784	68	1.85	2.0	6418	695	68	2.05			2.3	5716	619			69	2.30	2.5	5153	558			69	2.55	7.7	1775	182.55			11	0.95	9.0	1517	156.01			16	1.00	9.8	1390	143.03			17	1.05	11	1220	125.51			18	1.20	12	1156	118.94	18	1.30	13	1012	104.10	19	1.45	15	912	93.78	19	1.65	17	800	82.27	19	1.85	19	708	72.88	19	2.10	22	622	63.96	19	2.40	23	589	60.61	19	2.50	26	516	53.05	19	2.90	29	465	47.79	19	3.20	33	407	41.92	19	3.70	38	360	37.00	19	4.10																																																																																																																																																																																																																																																																																																																																																									
1.6	8209	889	67	1.60			1.8	7240	784	68	1.85			2.0	6418	695	68	2.05	2.3	5716	619	69	2.30			2.5	5153	558			69	2.55	7.7	1775	182.55			11	0.95	9.0	1517	156.01			16	1.00	9.8	1390	143.03			17	1.05	11	1220	125.51			18	1.20	12	1156	118.94	18	1.30	13	1012	104.10	19	1.45	15	912	93.78	19	1.65	17	800	82.27	19	1.85	19	708	72.88	19	2.10	22	622	63.96	19	2.40	23	589	60.61	19	2.50	26	516	53.05	19	2.90	29	465	47.79	19	3.20	33	407	41.92	19	3.70	38	360	37.00	19	4.10																																																																																																																																																																																																																																																																																																																																																																
1.8	7240	784	68	1.85			2.0	6418	695	68	2.05			2.3	5716	619	69	2.30	2.5	5153	558	69	2.55			7.7	1775	182.55			11	0.95	9.0	1517	156.01			16	1.00	9.8	1390	143.03			17	1.05	11	1220	125.51			18	1.20	12	1156	118.94	18	1.30	13	1012	104.10	19	1.45	15	912	93.78	19	1.65	17	800	82.27	19	1.85	19	708	72.88	19	2.10	22	622	63.96	19	2.40	23	589	60.61	19	2.50	26	516	53.05	19	2.90	29	465	47.79	19	3.20	33	407	41.92	19	3.70	38	360	37.00	19	4.10																																																																																																																																																																																																																																																																																																																																																																							
2.0	6418	695	68	2.05			2.3	5716	619	69	2.30			2.5	5153	558	69	2.55	7.7	1775	182.55	11	0.95			9.0	1517	156.01			16	1.00	9.8	1390	143.03			17	1.05	11	1220	125.51			18	1.20	12	1156	118.94	18	1.30	13	1012	104.10	19	1.45	15	912	93.78	19	1.65	17	800	82.27	19	1.85	19	708	72.88	19	2.10	22	622	63.96	19	2.40	23	589	60.61	19	2.50	26	516	53.05	19	2.90	29	465	47.79	19	3.20	33	407	41.92	19	3.70	38	360	37.00	19	4.10																																																																																																																																																																																																																																																																																																																																																																														
2.3	5716	619	69	2.30			2.5	5153	558	69	2.55			7.7	1775	182.55	11	0.95	9.0	1517	156.01	16	1.00			9.8	1390	143.03			17	1.05	11	1220	125.51			18	1.20	12	1156	118.94	18	1.30	13	1012	104.10	19	1.45	15	912	93.78	19	1.65	17	800	82.27	19	1.85	19	708	72.88	19	2.10	22	622	63.96	19	2.40	23	589	60.61	19	2.50	26	516	53.05	19	2.90	29	465	47.79	19	3.20	33	407	41.92	19	3.70	38	360	37.00	19	4.10																																																																																																																																																																																																																																																																																																																																																																																					
2.5	5153	558	69	2.55			7.7	1775	182.55	11	0.95			9.0	1517	156.01	16	1.00	9.8	1390	143.03	17	1.05			11	1220	125.51			18	1.20	12	1156	118.94	18	1.30	13	1012	104.10	19	1.45	15	912	93.78	19	1.65	17	800	82.27	19	1.85	19	708	72.88	19	2.10	22	622	63.96	19	2.40	23	589	60.61	19	2.50	26	516	53.05	19	2.90	29	465	47.79	19	3.20	33	407	41.92	19	3.70	38	360	37.00	19	4.10																																																																																																																																																																																																																																																																																																																																																																																												
7.7	1775	182.55	11	0.95			9.0	1517	156.01	16	1.00			9.8	1390	143.03	17	1.05	11	1220	125.51	18	1.20			12	1156	118.94	18	1.30	13	1012	104.10	19	1.45	15	912	93.78	19	1.65	17	800	82.27	19	1.85	19	708	72.88	19	2.10	22	622	63.96	19	2.40	23	589	60.61	19	2.50	26	516	53.05	19	2.90	29	465	47.79	19	3.20	33	407	41.92	19	3.70	38	360	37.00	19	4.10																																																																																																																																																																																																																																																																																																																																																																																																			
9.0	1517	156.01	16	1.00			9.8	1390	143.03	17	1.05			11	1220	125.51	18	1.20	12	1156	118.94	18	1.30	13	1012	104.10	19	1.45	15	912	93.78	19	1.65	17	800	82.27	19	1.85	19	708	72.88	19	2.10	22	622	63.96	19	2.40	23	589	60.61	19	2.50	26	516	53.05	19	2.90	29	465	47.79	19	3.20	33	407	41.92	19	3.70	38	360	37.00	19	4.10																																																																																																																																																																																																																																																																																																																																																																																																										
9.8	1390	143.03	17	1.05			11	1220	125.51	18	1.20	12	1156	118.94	18	1.30	13	1012	104.10	19	1.45	15	912	93.78	19	1.65	17	800	82.27	19	1.85	19	708	72.88	19	2.10	22	622	63.96	19	2.40	23	589	60.61	19	2.50	26	516	53.05	19	2.90	29	465	47.79	19	3.20	33	407	41.92	19	3.70	38	360	37.00	19	4.10																																																																																																																																																																																																																																																																																																																																																																																																																	
11	1220	125.51	18	1.20	12	1156	118.94	18	1.30	13	1012	104.10	19	1.45	15	912	93.78	19	1.65	17	800	82.27	19	1.85	19	708	72.88	19	2.10	22	622	63.96	19	2.40	23	589	60.61	19	2.50	26	516	53.05	19	2.90	29	465	47.79	19	3.20	33	407	41.92	19	3.70	38	360	37.00	19	4.10																																																																																																																																																																																																																																																																																																																																																																																																																								
12	1156	118.94	18	1.30	13	1012	104.10	19	1.45	15	912	93.78	19	1.65	17	800	82.27	19	1.85	19	708	72.88	19	2.10	22	622	63.96	19	2.40	23	589	60.61	19	2.50	26	516	53.05	19	2.90	29	465	47.79	19	3.20	33	407	41.92	19	3.70	38	360	37.00	19	4.10																																																																																																																																																																																																																																																																																																																																																																																																																													
13	1012	104.10	19	1.45	15	912	93.78	19	1.65	17	800	82.27	19	1.85	19	708	72.88	19	2.10	22	622	63.96	19	2.40	23	589	60.61	19	2.50	26	516	53.05	19	2.90	29	465	47.79	19	3.20	33	407	41.92	19	3.70	38	360	37.00	19	4.10																																																																																																																																																																																																																																																																																																																																																																																																																																		
15	912	93.78	19	1.65	17	800	82.27	19	1.85	19	708	72.88	19	2.10	22	622	63.96	19	2.40	23	589	60.61	19	2.50	26	516	53.05	19	2.90	29	465	47.79	19	3.20	33	407	41.92	19	3.70	38	360	37.00	19	4.10																																																																																																																																																																																																																																																																																																																																																																																																																																							
17	800	82.27	19	1.85	19	708	72.88	19	2.10	22	622	63.96	19	2.40	23	589	60.61	19	2.50	26	516	53.05	19	2.90	29	465	47.79	19	3.20	33	407	41.92	19	3.70	38	360	37.00	19	4.10																																																																																																																																																																																																																																																																																																																																																																																																																																												
19	708	72.88	19	2.10	22	622	63.96	19	2.40	23	589	60.61	19	2.50	26	516	53.05	19	2.90	29	465	47.79	19	3.20	33	407	41.92	19	3.70	38	360	37.00	19	4.10																																																																																																																																																																																																																																																																																																																																																																																																																																																	
22	622	63.96	19	2.40	23	589	60.61	19	2.50	26	516	53.05	19	2.90	29	465	47.79	19	3.20	33	407	41.92	19	3.70	38	360	37.00	19	4.10																																																																																																																																																																																																																																																																																																																																																																																																																																																						
23	589	60.61	19	2.50	26	516	53.05	19	2.90	29	465	47.79	19	3.20	33	407	41.92	19	3.70	38	360	37.00	19	4.10																																																																																																																																																																																																																																																																																																																																																																																																																																																											
26	516	53.05	19	2.90	29	465	47.79	19	3.20	33	407	41.92	19	3.70	38	360	37.00	19	4.10																																																																																																																																																																																																																																																																																																																																																																																																																																																																
29	465	47.79	19	3.20	33	407	41.92	19	3.70	38	360	37.00	19	4.10																																																																																																																																																																																																																																																																																																																																																																																																																																																																					
33	407	41.92	19	3.70	38	360	37.00	19	4.10																																																																																																																																																																																																																																																																																																																																																																																																																																																																										
38	360	37.00	19	4.10																																																																																																																																																																																																																																																																																																																																																																																																																																																																															

选型参数表

(恒功率) 1.5kW

Selection Table

(Constant Power) 1.5kW

n_a [r/min]	M_a [Nm]	i	F_{Ra} [kN]	f_B	机型号 Type size	极数 Pole	n_a [r/min]	M_a [Nm]	i	F_{Ra} [kN]	f_B	机型号 Type size	极数 Pole																																																																																																																																																																																																																																																																																																																																																																																																																																																																																																																																																		
1.5kW							1.5kW																																																																																																																																																																																																																																																																																																																																																																																																																																																																																																																																																								
15	904	92.97	8.1	0.85	GR79 GRF79	4P	73	182	19.31	2.5	1.00	GR39 GRF39	4P																																																																																																																																																																																																																																																																																																																																																																																																																																																																																																																																																		
17	795	81.80	9.3	1.00			18	751	77.24	10	1.05			21	639	65.77	11	1.25	24	561	57.68	11	1.40	27	506	52.07	11	1.55	31	445	45.81	12	1.75	32	421	43.26	12	1.85	38	358	36.83	12	2.20	42	325	33.47	12	2.40	48	282	29.00	12	2.80	55	245	25.23	11	3.00	60	227	23.37	11	3.50	GR79 GRF79	4P	214	61	13.25	2.7	2.70	GR39 GRF39	2P	65	208	21.43	11	3.80	74	183	18.80	10	4.10	23	595	61.26	6.9	0.95	GR69 GRF69	4P	25	553	56.89	7.4	1.05	27	501	51.56	8.0	1.15	30	450	46.29	8.4	1.30	35	388	39.88	8.8	1.45	37	365	37.50	9.0	1.50	43	314	32.27	9.3	1.65	49	280	28.83	9.4	1.80	50	273	28.13	9.5	1.90	GR69 GRF69	4P	52	260	26.72	9.4	2.00	60	228	23.44	9.0	2.30	70	193	19.89	8.6	3.00	78	174	17.95	8.4	3.20	26	517	53.22	4.9	0.85	GR59 GRF59	4P	29	469	48.23	5.7	0.90	32	421	43.30	5.6	1.00	38	363	37.30	5.5	1.20	40	341	35.07	5.4	1.25	46	293	30.18	5.3	1.45	52	262	26.97	5.1	1.65	53	256	26.31	5.1	1.70	GR59 GRF59	4P	56	243	24.99	5.1	1.75	64	213	21.93	4.9	2.00	75	181	18.60	4.7	2.40	83	163	16.79	4.6	2.60	95	144	14.77	4.5	2.90	100	136	13.95	4.4	3.00	118	115	11.88	4.2	3.40	38	359	36.93	2.3	0.80	GR49 GRF49	4P	40	338	34.73	3.6	0.85	47	290	29.88	4.0	1.00	52	260	26.70	3.9	1.10	61	222	22.81	3.8	1.25	60	226	23.28	3.8	1.25	GR49 GRF49	4P	64	212	21.81	3.8	1.35	73	187	19.27	3.7	1.50	78	174	17.89	3.6	1.60	86	158	16.22	3.6	1.65	96	142	14.56	3.5	1.80	112	122	12.54	3.3	1.95	119	115	11.79	3.3	2.00	138	99	10.15	3.2	2.20	154	88	9.07	3.1	2.40	181	75	7.75	2.9	2.10	201	68	6.96	2.8	2.20	233	58	6.00	2.7	2.60	248	55	5.64	2.7	2.70	289	47	4.85	2.6	3.00	323	42	4.34	2.5	3.30	378	36	3.70	2.4	3.70	249	56	5.63	5.3	1.90	GRX79 GRXF79	4P	262	53	5.35	5.2	1.90	296	47	4.73	5.0	2.60	347	40	4.04	4.8	3.50	378	37	3.70	4.7	4.10	431	32	3.25	4.5	5.50	455	31	3.08	4.4	6.20	519	27	2.70	4.2	7.80	576	24	2.43	4.1	8.70	309	45	4.53	3.4	1.80	GRX69 GRXF69	4P	326	43	4.30	3.3	1.85	371	38	3.77	3.2	2.30	438	32	3.20	3.1	3.10	484	29	2.89	3.0	3.60	551	25	2.54	2.9	4.60	583	24	2.40	2.8	5.00	686	20	2.04	2.7	6.40	753	19	1.86	2.6	6.70	870	16	1.61	2.5	7.00	1000	14	1.40	2.4	7.30	369	38	3.79	2.6	1.80	GRX59 GRXF59	4P	394	35	3.55	2.5	1.90	446	31	3.14	2.4	2.00	481	29	2.91	2.4	2.30	481	29	2.91	2.4	2.30	530	26	2.64	2.3	2.60																																																															
18	751	77.24	10	1.05			21	639	65.77	11	1.25			24	561	57.68	11	1.40	27	506	52.07	11	1.55	31	445	45.81	12	1.75	32	421	43.26	12	1.85	38	358	36.83	12	2.20	42	325	33.47	12	2.40	48	282	29.00	12	2.80	55	245	25.23	11	3.00	60	227	23.37	11	3.50	GR79 GRF79	4P	214	61	13.25			2.7	2.70	GR39 GRF39	2P	65			208	21.43	11	3.80	74	183	18.80	10	4.10	23	595	61.26	6.9	0.95	GR69 GRF69			4P	25	553	56.89	7.4	1.05	27	501	51.56	8.0	1.15	30	450	46.29	8.4	1.30	35	388	39.88	8.8	1.45	37	365	37.50	9.0	1.50	43	314	32.27	9.3	1.65	49	280	28.83	9.4	1.80	50	273	28.13	9.5			1.90	GR69 GRF69	4P	52	260	26.72	9.4	2.00	60	228	23.44	9.0	2.30	70	193	19.89	8.6	3.00	78	174	17.95	8.4	3.20	26	517			53.22	4.9	0.85	GR59 GRF59	4P	29	469	48.23	5.7	0.90	32	421	43.30	5.6	1.00	38	363	37.30	5.5	1.20	40	341	35.07	5.4	1.25	46	293	30.18	5.3	1.45	52	262	26.97	5.1	1.65			53	256	26.31	5.1	1.70	GR59 GRF59	4P	56	243	24.99	5.1	1.75	64	213	21.93	4.9	2.00	75	181	18.60	4.7	2.40	83	163	16.79	4.6	2.60	95	144	14.77	4.5	2.90	100	136	13.95	4.4	3.00	118	115	11.88			4.2	3.40	38	359	36.93	2.3	0.80	GR49 GRF49	4P	40	338	34.73	3.6	0.85	47	290	29.88	4.0	1.00	52	260	26.70	3.9	1.10	61			222	22.81	3.8	1.25	60	226	23.28	3.8	1.25	GR49 GRF49	4P	64	212	21.81	3.8	1.35	73	187	19.27	3.7	1.50	78	174	17.89	3.6	1.60	86	158	16.22	3.6	1.65	96	142	14.56	3.5	1.80	112	122	12.54	3.3	1.95	119	115	11.79	3.3	2.00	138	99	10.15	3.2	2.20	154	88	9.07	3.1	2.40	181	75	7.75	2.9	2.10	201	68	6.96	2.8	2.20	233	58	6.00	2.7	2.60	248	55	5.64	2.7	2.70	289	47	4.85	2.6	3.00	323	42	4.34	2.5			3.30	378	36	3.70	2.4	3.70	249	56	5.63	5.3	1.90	GRX79 GRXF79	4P	262	53	5.35	5.2	1.90	296	47	4.73	5.0	2.60	347	40	4.04	4.8	3.50	378	37	3.70	4.7	4.10	431	32	3.25	4.5	5.50	455	31	3.08	4.4	6.20	519	27			2.70	4.2	7.80	576	24	2.43	4.1	8.70	309	45	4.53	3.4	1.80	GRX69 GRXF69	4P	326	43	4.30	3.3	1.85	371	38	3.77	3.2	2.30	438	32	3.20	3.1	3.10	484	29	2.89	3.0	3.60	551	25	2.54	2.9	4.60	583	24	2.40	2.8	5.00	686	20	2.04	2.7	6.40	753	19	1.86	2.6	6.70			870	16	1.61	2.5	7.00	1000	14	1.40	2.4	7.30	369	38	3.79	2.6	1.80	GRX59 GRXF59	4P	394	35	3.55	2.5	1.90	446	31	3.14	2.4	2.00	481	29	2.91	2.4	2.30	481	29	2.91	2.4	2.30	530	26	2.64	2.3	2.60																																														
21	639	65.77	11	1.25			24	561	57.68	11	1.40			27	506	52.07	11	1.55	31	445	45.81	12	1.75	32	421	43.26	12	1.85	38	358	36.83	12	2.20	42	325	33.47	12	2.40	48	282	29.00	12	2.80	55	245	25.23	11	3.00	60	227	23.37	11	3.50	GR79 GRF79	4P	214	61	13.25			2.7	2.70	GR39 GRF39			2P	65			208			21.43	11	3.80	74	183	18.80	10	4.10	23	595	61.26	6.9	0.95	GR69 GRF69					4P	25	553	56.89	7.4	1.05	27	501	51.56	8.0	1.15	30	450	46.29	8.4	1.30	35	388	39.88	8.8	1.45	37	365	37.50	9.0	1.50	43	314	32.27	9.3	1.65	49	280	28.83	9.4	1.80	50	273	28.13			9.5			1.90	GR69 GRF69	4P	52	260	26.72	9.4	2.00	60	228	23.44	9.0	2.30	70	193	19.89	8.6	3.00	78	174	17.95	8.4			3.20	26	517			53.22	4.9	0.85	GR59 GRF59	4P	29	469	48.23	5.7	0.90	32	421	43.30	5.6	1.00	38	363	37.30	5.5	1.20	40	341	35.07	5.4	1.25	46	293	30.18	5.3	1.45			52	262	26.97	5.1	1.65			53	256	26.31	5.1	1.70	GR59 GRF59	4P	56	243	24.99	5.1	1.75	64	213	21.93	4.9	2.00	75	181	18.60	4.7	2.40	83	163	16.79	4.6	2.60	95	144	14.77	4.5	2.90	100			136	13.95	4.4	3.00	118	115	11.88			4.2	3.40	38	359	36.93	2.3	0.80	GR49 GRF49	4P	40	338	34.73	3.6	0.85	47	290			29.88	4.0	1.00	52	260	26.70	3.9	1.10	61			222	22.81	3.8	1.25	60	226	23.28	3.8	1.25	GR49 GRF49	4P	64	212	21.81	3.8	1.35	73	187	19.27	3.7	1.50	78	174	17.89	3.6	1.60	86	158	16.22	3.6	1.65	96	142	14.56	3.5	1.80	112	122	12.54	3.3	1.95	119	115	11.79	3.3	2.00	138	99	10.15	3.2	2.20	154	88	9.07	3.1	2.40	181	75	7.75	2.9	2.10	201	68	6.96	2.8	2.20	233	58	6.00	2.7	2.60	248	55	5.64			2.7	2.70	289	47	4.85	2.6	3.00	323	42	4.34	2.5			3.30	378	36	3.70	2.4	3.70	249	56	5.63	5.3	1.90	GRX79 GRXF79	4P	262	53	5.35	5.2	1.90	296	47	4.73	5.0	2.60	347	40	4.04	4.8	3.50	378	37	3.70	4.7			4.10	431	32	3.25	4.5	5.50	455	31	3.08	4.4	6.20	519	27			2.70	4.2	7.80	576	24	2.43	4.1	8.70	309	45	4.53	3.4	1.80	GRX69 GRXF69	4P	326	43	4.30	3.3	1.85	371	38	3.77	3.2	2.30	438	32	3.20	3.1	3.10	484	29	2.89	3.0	3.60	551	25	2.54	2.9	4.60			583	24	2.40	2.8	5.00	686	20	2.04	2.7	6.40	753	19	1.86	2.6	6.70			870	16	1.61	2.5	7.00	1000	14	1.40	2.4	7.30	369	38	3.79	2.6	1.80	GRX59 GRXF59	4P	394	35	3.55	2.5	1.90	446	31	3.14	2.4	2.00	481	29	2.91	2.4	2.30	481	29	2.91	2.4	2.30	530	26	2.64	2.3	2.60																													
24	561	57.68	11	1.40			27	506	52.07	11	1.55			31	445	45.81	12	1.75	32	421	43.26	12	1.85	38	358	36.83	12	2.20	42	325	33.47	12	2.40	48	282	29.00	12	2.80	55	245	25.23	11	3.00	60	227	23.37	11	3.50	GR79 GRF79	4P	214	61	13.25			2.7	2.70	GR39 GRF39			2P	65		208	21.43		11			3.80			74	183	18.80	10	4.10	23	595	61.26	6.9	0.95	GR69 GRF69	4P	25							553	56.89	7.4	1.05	27	501	51.56	8.0	1.15	30	450	46.29	8.4	1.30	35	388	39.88	8.8	1.45	37	365	37.50	9.0	1.50	43	314	32.27	9.3	1.65	49	280	28.83	9.4	1.80	50	273	28.13	9.5			1.90			GR69 GRF69			4P	52	260	26.72	9.4	2.00	60	228	23.44	9.0	2.30	70	193	19.89	8.6	3.00	78	174	17.95			8.4	3.20	26			517	53.22	4.9			0.85	GR59 GRF59	4P	29	469	48.23	5.7	0.90	32	421	43.30	5.6	1.00	38	363	37.30	5.5	1.20	40	341	35.07	5.4	1.25	46	293			30.18	5.3	1.45	52	262			26.97	5.1	1.65	53	256			26.31	5.1	1.70	GR59 GRF59	4P	56	243	24.99	5.1	1.75	64	213	21.93	4.9	2.00	75	181	18.60	4.7	2.40	83	163	16.79	4.6	2.60	95			144	14.77	4.5	2.90	100	136	13.95			4.4	3.00	118	115	11.88	4.2	3.40			38	359	36.93	2.3	0.80	GR49 GRF49	4P			40	338	34.73	3.6	0.85	47	290	29.88	4.0			1.00	52	260	26.70	3.9	1.10	61	222	22.81			3.8	1.25	60	226	23.28	3.8	1.25	GR49 GRF49	4P	64	212	21.81	3.8	1.35	73	187	19.27	3.7	1.50	78	174	17.89	3.6	1.60	86	158	16.22	3.6	1.65	96	142	14.56	3.5	1.80	112	122	12.54	3.3	1.95	119	115	11.79	3.3	2.00	138	99	10.15	3.2	2.20	154	88	9.07	3.1	2.40	181	75	7.75	2.9	2.10	201	68	6.96	2.8			2.20	233	58	6.00	2.7	2.60	248	55	5.64	2.7	2.70			289	47	4.85	2.6	3.00	323	42	4.34	2.5	3.30	378			36	3.70	2.4	3.70	249	56	5.63	5.3	1.90	GRX79 GRXF79	4P	262	53	5.35	5.2	1.90	296	47	4.73			5.0	2.60	347	40	4.04	4.8	3.50	378	37	3.70	4.7	4.10	431			32	3.25	4.5	5.50	455	31	3.08	4.4	6.20	519	27	2.70	4.2			7.80	576	24	2.43	4.1	8.70	309	45	4.53	3.4	1.80	GRX69 GRXF69	4P	326	43	4.30	3.3	1.85	371	38	3.77	3.2	2.30	438	32			3.20	3.1	3.10	484	29	2.89	3.0	3.60	551	25	2.54	2.9	4.60	583	24			2.40	2.8	5.00	686	20	2.04	2.7	6.40	753	19	1.86	2.6	6.70	870	16			1.61	2.5	7.00	1000	14	1.40	2.4	7.30	369	38	3.79	2.6	1.80	GRX59 GRXF59	4P	394	35	3.55	2.5	1.90	446	31	3.14	2.4	2.00	481	29	2.91	2.4	2.30	481	29	2.91	2.4	2.30	530	26	2.64	2.3	2.60														
27	506	52.07	11	1.55			31	445	45.81	12	1.75			32	421	43.26	12	1.85	38	358	36.83	12	2.20	42	325	33.47	12	2.40	48	282	29.00	12	2.80	55	245	25.23	11	3.00	60	227	23.37	11	3.50	GR79 GRF79	4P	214	61	13.25			2.7	2.70	GR39 GRF39			2P	65		208	21.43		11		3.80	74		183			18.80			10	4.10	23	595	61.26	6.9	0.95	GR69 GRF69	4P	25			553							56.89	7.4	1.05	27	501	51.56	8.0	1.15	30	450	46.29	8.4	1.30	35	388	39.88	8.8	1.45	37	365	37.50	9.0	1.50	43	314	32.27	9.3	1.65	49	280	28.83	9.4	1.80	50	273	28.13	9.5	1.90			GR69 GRF69							4P	52	260	26.72	9.4	2.00	60	228	23.44	9.0	2.30	70	193	19.89	8.6	3.00	78	174			17.95	8.4	3.20			26	517	53.22			4.9			0.85	GR59 GRF59	4P	29	469	48.23	5.7	0.90	32	421	43.30	5.6	1.00	38	363	37.30	5.5	1.20	40	341	35.07	5.4			1.25	46	293	30.18	5.3			1.45	52	262	26.97	5.1			1.65	53	256			26.31	5.1	1.70	GR59 GRF59	4P	56	243	24.99	5.1	1.75	64	213	21.93	4.9	2.00	75	181	18.60	4.7	2.40	83	163	16.79	4.6	2.60	95	144	14.77	4.5	2.90			100	136	13.95	4.4	3.00	118	115			11.88	4.2	3.40	38	359					36.93	2.3	0.80	GR49 GRF49	4P	40	338	34.73	3.6			0.85	47	290	29.88	4.0	1.00	52	260	26.70			3.9	1.10	61	222	22.81	3.8	1.25			60	226	23.28	3.8	1.25	GR49 GRF49	4P	64	212	21.81	3.8	1.35	73	187	19.27	3.7	1.50	78	174	17.89	3.6	1.60	86	158	16.22	3.6	1.65	96	142	14.56	3.5	1.80	112	122	12.54	3.3	1.95	119	115	11.79	3.3	2.00	138	99	10.15	3.2	2.20	154	88	9.07	3.1	2.40	181	75			7.75	2.9	2.10	201	68	6.96	2.8	2.20	233	58	6.00			2.7	2.60	248	55	5.64	2.7	2.70	289	47	4.85	2.6			3.00	323	42	4.34	2.5	3.30	378	36	3.70			2.4	3.70	249	56	5.63	5.3	1.90	GRX79 GRXF79			4P	262	53	5.35	5.2	1.90	296	47	4.73	5.0	2.60	347	40			4.04	4.8	3.50	378	37	3.70	4.7	4.10	431	32	3.25	4.5	5.50			455	31	3.08	4.4	6.20	519	27	2.70	4.2	7.80	576			24	2.43	4.1	8.70	309	45	4.53	3.4	1.80	GRX69 GRXF69	4P	326			43	4.30	3.3	1.85	371	38	3.77	3.2	2.30	438	32	3.20	3.1	3.10	484			29	2.89	3.0	3.60	551	25	2.54	2.9	4.60	583	24	2.40	2.8	5.00	686			20	2.04	2.7	6.40	753	19	1.86	2.6	6.70	870	16	1.61	2.5			7.00	1000	14	1.40	2.4	7.30	369	38	3.79	2.6	1.80	GRX59 GRXF59	4P	394	35	3.55	2.5	1.90	446	31	3.14	2.4	2.00	481	29	2.91	2.4	2.30	481	29	2.91	2.4	2.30	530	26	2.64	2.3	2.60	
31	445	45.81	12	1.75			32	421	43.26	12	1.85			38	358	36.83	12	2.20	42	325	33.47	12	2.40	48	282	29.00	12	2.80	55	245	25.23	11	3.00	60	227	23.37	11	3.50	GR79 GRF79	4P	214	61	13.25			2.7	2.70	GR39 GRF39			2P	65		208	21.43		11		3.80	74		183		18.80	10		4.10			23			595	61.26	6.9	0.95	GR69 GRF69	4P	25			553			56.89							7.4	1.05	27	501	51.56	8.0	1.15	30	450	46.29	8.4	1.30	35	388	39.88	8.8	1.45	37	365	37.50	9.0	1.50	43	314	32.27	9.3	1.65	49	280	28.83	9.4	1.80	50	273	28.13	9.5	1.90	GR69 GRF69	4P	52									260	26.72	9.4	2.00	60	228	23.44	9.0	2.30	70	193	19.89	8.6	3.00	78	174	17.95			8.4	3.20	26			517	53.22	4.9			0.85			GR59 GRF59			4P	29	469	48.23	5.7	0.90	32	421	43.30	5.6	1.00	38	363	37.30	5.5	1.20	40	341	35.07			5.4	1.25	46	293	30.18			5.3	1.45	52	262	26.97			5.1	1.65	53			256	26.31	5.1			1.70	GR59 GRF59	4P	56	243	24.99	5.1	1.75	64	213	21.93	4.9	2.00	75	181	18.60	4.7	2.40	83	163	16.79	4.6	2.60	95	144	14.77	4.5	2.90	100	136	13.95	4.4	3.00	118			115	11.88	4.2	3.40	38					359	36.93	2.3			0.80	GR49 GRF49	4P	40			338	34.73	3.6	0.85	47	290	29.88	4.0	1.00			52	260	26.70	3.9	1.10	61	222			22.81	3.8	1.25	60	226			23.28	3.8	1.25	GR49 GRF49	4P	64	212	21.81	3.8	1.35	73	187	19.27	3.7	1.50	78	174	17.89	3.6	1.60	86	158	16.22	3.6	1.65	96	142	14.56	3.5	1.80	112	122	12.54	3.3	1.95	119	115	11.79	3.3	2.00	138	99	10.15	3.2	2.20	154	88			9.07	3.1	2.40	181	75	7.75	2.9	2.10	201	68	6.96			2.8	2.20	233	58	6.00	2.7	2.60	248	55	5.64	2.7			2.70	289	47	4.85	2.6	3.00	323	42	4.34			2.5	3.30	378	36	3.70	2.4	3.70					249	56	5.63	5.3	1.90	GRX79 GRXF79	4P	262	53	5.35	5.2	1.90			296	47	4.73	5.0	2.60	347	40	4.04	4.8	3.50	378	37	3.70			4.7	4.10	431	32	3.25	4.5	5.50	455	31	3.08	4.4			6.20	519	27	2.70	4.2	7.80	576	24	2.43			4.1			8.70	309	45	4.53	3.4	1.80	GRX69 GRXF69	4P	326	43	4.30	3.3	1.85	371	38			3.77	3.2	2.30	438	32	3.20	3.1	3.10	484	29	2.89	3.0	3.60	551	25			2.54	2.9	4.60	583	24	2.40	2.8	5.00	686	20	2.04	2.7	6.40			753	19	1.86	2.6	6.70	870	16	1.61	2.5	7.00	1000			14	1.40	2.4	7.30	369	38	3.79	2.6	1.80	GRX59 GRXF59	4P	394	35	3.55	2.5	1.90	446	31	3.14	2.4	2.00	481	29	2.91	2.4	2.30
32	421	43.26	12	1.85			38	358	36.83	12	2.20			42	325	33.47	12	2.40	48	282	29.00	12	2.80	55	245	25.23	11	3.00	60	227	23.37	11	3.50	GR79 GRF79	4P	214	61	13.25			2.7	2.70	GR39 GRF39			2P	65		208	21.43		11		3.80	74		183		18.80	10		4.10		23	595		61.26			6.9			0.95	GR69 GRF69	4P	25			553			56.89			7.4							1.05	27	501	51.56	8.0	1.15	30	450	46.29	8.4	1.30	35	388	39.88	8.8	1.45	37	365	37.50	9.0	1.50	43	314	32.27	9.3	1.65	49	280	28.83	9.4	1.80	50	273	28.13	9.5	1.90	GR69 GRF69			4P		52	260						26.72	9.4	2.00	60	228	23.44	9.0	2.30	70	193	19.89	8.6	3.00	78	174	17.95	8.4	3.20	26	517	53.22	4.9			0.85	GR59 GRF59	4P			29							469	48.23	5.7	0.90	32	421	43.30	5.6	1.00	38	363	37.30	5.5	1.20	40	341	35.07	5.4	1.25	46	293	30.18	5.3	1.45	52			262	26.97	5.1	1.65	53			256	26.31	5.1			1.70	GR59 GRF59	4P			56			243	24.99	5.1	1.75	64	213	21.93	4.9	2.00	75	181	18.60	4.7	2.40	83	163	16.79	4.6	2.60	95	144	14.77	4.5	2.90	100	136	13.95	4.4	3.00	118	115	11.88	4.2	3.40	38	359	36.93	2.3					0.80	GR49 GRF49	4P			40			338			34.73	3.6	0.85	47	290	29.88	4.0	1.00	52			260	26.70	3.9	1.10	61	222	22.81			3.8	1.25	60	226	23.28			3.8	1.25	GR49 GRF49			4P	64	212	21.81	3.8	1.35	73	187	19.27	3.7	1.50	78	174	17.89	3.6	1.60	86	158	16.22	3.6	1.65	96	142	14.56	3.5	1.80	112	122	12.54	3.3	1.95	119	115	11.79	3.3	2.00	138	99	10.15	3.2	2.20	154			88	9.07	3.1	2.40	181	75	7.75	2.9	2.10	201	68			6.96	2.8	2.20	233	58	6.00	2.7	2.60	248	55	5.64			2.7	2.70	289	47	4.85	2.6	3.00	323	42			4.34	2.5	3.30	378	36	3.70	2.4					3.70	249	56	5.63	5.3			1.90	GRX79 GRXF79	4P	262	53			5.35	5.2	1.90	296	47	4.73	5.0	2.60	347	40	4.04	4.8	3.50			378	37	3.70	4.7	4.10	431	32	3.25	4.5	5.50	455			31	3.08	4.4	6.20	519	27	2.70	4.2	7.80			576	24	2.43	4.1	8.70	309	45	4.53	3.4			1.80	GRX69 GRXF69	4P	326	43	4.30	3.3			1.85	371	38	3.77	3.2	2.30	438	32	3.20	3.1	3.10	484	29	2.89	3.0			3.60	551	25	2.54	2.9	4.60	583	24	2.40	2.8	5.00	686	20			2.04	2.7	6.40	753	19	1.86	2.6	6.70	870	16	1.61			2.5	7.00	1000	14	1.40	2.4	7.30	369	38			3.79	2.6	1.80	GRX59 GRXF59	4P	394	35	3.55	2.5	1.90	446	31	3.14	2.4	2.00
38	358	36.83	12	2.20			42	325	33.47	12	2.40			48	282	29.00	12	2.80	55	245	25.23	11	3.00	60	227	23.37	11	3.50	GR79 GRF79	4P	214	61	13.25			2.7	2.70	GR39 GRF39			2P	65		208	21.43		11		3.80	74		183		18.80	10		4.10		23	595		61.26		6.9	0.95		GR69 GRF69			4P	25	553	56.89			7.4			1.05			27			501			51.56	8.0			1.15	30	450	46.29	8.4	1.30	35	388	39.88	8.8	1.45	37	365	37.50	9.0	1.50	43	314	32.27	9.3	1.65	49	280	28.83	9.4	1.80	50	273	28.13	9.5	1.90	GR69 GRF69	4P	52	260	26.72						9.4	2.00		60	228			23.44	9.0	2.30	70	193	19.89	8.6	3.00	78	174	17.95	8.4	3.20	26	517	53.22	4.9	0.85	GR59 GRF59	4P	29	469	48.23	5.7	0.90					32							421	43.30	5.6	1.00	38	363	37.30	5.5	1.20	40	341	35.07	5.4	1.25	46	293	30.18	5.3	1.45	52	262	26.97	5.1	1.65	53	256	26.31	5.1	1.70	GR59 GRF59	4P	56			243	24.99	5.1			1.75					64			213	21.93	4.9	2.00	75	181	18.60	4.7	2.40	83	163	16.79	4.6	2.60	95	144	14.77	4.5	2.90	100	136	13.95	4.4	3.00	118	115	11.88	4.2	3.40	38	359	36.93	2.3	0.80	GR49 GRF49	4P	40	338	34.73	3.6			0.85					47			290			29.88	4.0	1.00	52	260	26.70	3.9	1.10	61			222	22.81	3.8	1.25	60	226	23.28			3.8	1.25	GR49 GRF49	4P	64			212	21.81					3.8	1.35	73	187	19.27	3.7	1.50	78	174	17.89	3.6	1.60	86	158	16.22	3.6	1.65	96	142	14.56	3.5	1.80	112	122	12.54	3.3	1.95	119	115	11.79	3.3	2.00	138	99	10.15	3.2	2.20	154	88	9.07	3.1			2.40	181	75	7.75	2.9	2.10	201	68	6.96	2.8	2.20			233	58	6.00	2.7	2.60	248	55	5.64	2.7	2.70	289			47	4.85	2.6	3.00	323	42	4.34	2.5	3.30			378	36	3.70	2.4	3.70	249	56					5.63	5.3	1.90	GRX79 GRXF79	4P			262			53	5.35			5.2	1.90	296	47	4.73	5.0	2.60	347	40	4.04	4.8	3.50	378			37	3.70	4.7	4.10	431	32	3.25	4.5	5.50	455	31			3.08	4.4	6.20	519	27	2.70	4.2	7.80	576			24	2.43	4.1	8.70	309	45	4.53	3.4	1.80			GRX69 GRXF69			4P	326	43	4.30	3.3	1.85	371	38	3.77	3.2	2.30	438	32	3.20	3.1	3.10	484	29	2.89	3.0	3.60			551	25	2.54	2.9	4.60	583	24	2.40	2.8	5.00	686	20	2.04			2.7	6.40	753	19	1.86	2.6	6.70	870	16	1.61	2.5			7.00	1000	14	1.40	2.4	7.30	369	38	3.79			2.6	1.80	GRX59 GRXF59			4P	394	35	3.55	2.5	1.90	446	31	3.14	2.4
42	325	33.47	12	2.40			48	282	29.00	12	2.80			55	245	25.23	11	3.00	60	227	23.37	11	3.50	GR79 GRF79	4P	214	61	13.25			2.7	2.70	GR39 GRF39			2P	65		208	21.43		11		3.80	74		183		18.80	10		4.10		23	595		61.26		6.9	0.95		GR69 GRF69		4P	25			553	56.89		7.4	1.05	27			501			51.56			8.0			1.15		30	450	46.29	8.4		1.30	35	388	39.88	8.8	1.45	37	365	37.50	9.0	1.50	43	314	32.27	9.3	1.65	49	280	28.83	9.4	1.80	50	273	28.13	9.5	1.90	GR69 GRF69	4P	52	260	26.72			9.4	2.00	60						228	23.44	9.0	2.30	70	193		19.89	8.6	3.00	78	174	17.95	8.4	3.20	26	517	53.22	4.9	0.85	GR59 GRF59	4P	29	469	48.23			5.7	0.90	32	421	43.30			5.6	1.00	38							363	37.30	5.5	1.20	40	341	35.07	5.4	1.25	46	293	30.18	5.3	1.45	52	262	26.97	5.1	1.65	53	256	26.31	5.1	1.70	GR59 GRF59	4P	56	243	24.99			5.1	1.75	64	213	21.93	4.9			2.00					75			181	18.60	4.7	2.40	83	163	16.79	4.6	2.60	95	144	14.77	4.5	2.90	100	136	13.95	4.4	3.00	118	115	11.88	4.2	3.40	38	359	36.93	2.3	0.80	GR49 GRF49	4P	40	338	34.73			3.6	0.85	47	290			29.88			4.0	1.00	52			260			26.70	3.9	1.10	61	222	22.81	3.8	1.25	60			226	23.28	3.8	1.25	GR49 GRF49	4P	64			212	21.81			3.8			1.35	73					187	19.27	3.7	1.50	78	174	17.89	3.6	1.60	86	158	16.22	3.6	1.65	96	142	14.56	3.5	1.80	112	122	12.54	3.3	1.95	119	115	11.79	3.3	2.00	138	99	10.15	3.2	2.20	154	88	9.07	3.1	2.40	181	75			7.75	2.9	2.10	201	68	6.96	2.8	2.20	233	58	6.00			2.7	2.60	248	55	5.64	2.7	2.70	289	47	4.85	2.6			3.00	323	42	4.34	2.5	3.30	378	36	3.70			2.4	3.70	249	56	5.63	5.3	1.90					GRX79 GRXF79	4P	262					53			5.35	5.2			1.90	296	47	4.73	5.0	2.60	347	40	4.04	4.8	3.50	378	37			3.70	4.7	4.10	431	32	3.25	4.5	5.50	455	31	3.08			4.4	6.20	519	27	2.70	4.2	7.80	576	24			2.43	4.1	8.70	309	45	4.53	3.4	1.80	GRX69 GRXF69							4P	326	43	4.30	3.3	1.85	371	38	3.77	3.2	2.30	438	32	3.20	3.1	3.10	484	29	2.89	3.0	3.60	551	25	2.54	2.9	4.60	583	24	2.40	2.8	5.00	686	20	2.04	2.7			6.40	753	19	1.86	2.6	6.70	870	16	1.61	2.5	7.00			1000	14	1.40	2.4	7.30	369	38	3.79	2.6			1.80	GRX59 GRXF59					4P	394	35	3.55	2.5	1.90	446	31	3.14
48	282	29.00	12	2.80	55	245	25.23	11	3.00	60	227	23.37	11	3.50	GR79 GRF79	4P	214	61	13.25	2.7	2.70	GR39 GRF39	2P			65	208	21.43			11	3.80		74	183		18.80		10	4.10		23		595	61.26		6.9		0.95	GR69 GRF69		4P		25	553		56.89		7.4	1.05			27		501	51.56		8.0	1.15		30	450	46.29			8.4			1.30			35			388	39.88	8.8	1.45	37	365	37.50	9.0	1.50	43	314	32.27	9.3	1.65	49	280	28.83	9.4	1.80	50	273	28.13	9.5	1.90	GR69 GRF69	4P	52	260	26.72	9.4	2.00	60	228			23.44	9.0	2.30			70	193	19.89					8.6	3.00	78	174	17.95	8.4	3.20	26	517	53.22	4.9	0.85	GR59 GRF59	4P	29	469	48.23	5.7	0.90	32	421			43.30	5.6	1.00			38	363	37.30	5.5	1.20			40	341	35.07	5.4	1.25					46	293	30.18	5.3	1.45	52	262	26.97	5.1	1.65	53	256	26.31	5.1	1.70	GR59 GRF59	4P	56	243	24.99	5.1	1.75	64	213			21.93	4.9	2.00			75	181	18.60	4.7	2.40	83	163	16.79	4.6					2.60			95	144	14.77	4.5	2.90	100	136	13.95	4.4	3.00	118	115	11.88	4.2	3.40	38	359	36.93	2.3	0.80	GR49 GRF49	4P	40	338	34.73	3.6	0.85	47	290			29.88	4.0	1.00			52	260	26.70	3.9			1.10			61	222	22.81	3.8	1.25	60			226	23.28	3.8	1.25	GR49 GRF49	4P	64	212	21.81			3.8	1.35	73	187			19.27			3.7	1.50			78			174	17.89					3.6	1.60	86	158	16.22	3.6	1.65	96	142	14.56	3.5	1.80	112	122	12.54	3.3	1.95	119	115	11.79	3.3	2.00	138	99	10.15	3.2	2.20	154	88	9.07	3.1	2.40	181	75	7.75	2.9	2.10	201	68	6.96	2.8			2.20	233	58	6.00	2.7	2.60	248	55	5.64	2.7	2.70			289	47	4.85	2.6	3.00	323	42	4.34	2.5	3.30	378			36	3.70	2.4	3.70	249	56	5.63	5.3	1.90			GRX79 GRXF79	4P	262	53	5.35	5.2	1.90							296					47			4.73	5.0			2.60	347	40	4.04	4.8	3.50	378	37	3.70	4.7	4.10	431	32			3.25	4.5	5.50	455	31	3.08	4.4	6.20	519	27	2.70			4.2	7.80	576	24	2.43	4.1	8.70	309	45			4.53	3.4	1.80	GRX69 GRXF69	4P	326	43	4.30									3.3	1.85	371	38	3.77	3.2	2.30	438	32	3.20	3.1	3.10	484	29	2.89	3.0	3.60	551	25	2.54	2.9	4.60	583	24	2.40	2.8	5.00	686	20	2.04	2.7	6.40	753	19	1.86	2.6	6.70	870	16	1.61	2.5	7.00	1000	14	1.40	2.4	7.30			369	38	3.79	2.6	1.80	GRX59 GRXF59	4P	394	35			3.55							2.5	1.90	446	31	3.14	2.4	2.00	481
55	245	25.23	11	3.00	60	227	23.37	11	3.50	GR79 GRF79	4P	214	61	13.25			2.7	2.70	GR39 GRF39	2P	65					208	21.43	11	3.80	74	183	18.80		10	4.10		23		595	61.26		6.9		0.95	GR69 GRF69		4P		25					553	56.89		7.4	1.05	27	501	51.56		8.0		1.15	30		450	46.29		8.4	1.30	35			388			39.88			8.8	1.45	37	365	37.50	9.0	1.50	43	314	32.27	9.3	1.65	49	280	28.83	9.4	1.80	50	273	28.13	9.5	1.90	GR69 GRF69	4P	52	260	26.72			9.4	2.00	60	228	23.44	9.0	2.30			70	193	19.89			8.6	3.00	78		174	17.95		8.4	3.20	26	517	53.22	4.9	0.85	GR59 GRF59	4P	29	469	48.23			5.7	0.90	32	421	43.30	5.6	1.00			38	363	37.30			5.5	1.20	40	341	35.07			5.4	1.25	46	293	30.18		5.3	1.45		52	262	26.97	5.1	1.65	53	256	26.31	5.1	1.70	GR59 GRF59	4P	56	243	24.99			5.1	1.75	64	213	21.93	4.9	2.00			75	181	18.60			4.7	2.40	83	163	16.79	4.6	2.60	95	144			14.77	4.5	2.90			100	136	13.95	4.4	3.00	118	115	11.88	4.2	3.40	38	359	36.93	2.3	0.80	GR49 GRF49	4P	40	338	34.73			3.6	0.85	47	290	29.88	4.0	1.00			52	260	26.70			3.9	1.10	61	222			22.81	3.8	1.25	60	226	23.28	3.8	1.25	GR49 GRF49			4P	64	212	21.81			3.8	1.35	73			187	19.27	3.7	1.50			78			174	17.89			3.6			1.60	86					158	16.22	3.6	1.65	96	142	14.56	3.5	1.80	112	122	12.54	3.3	1.95	119	115	11.79	3.3	2.00	138	99	10.15	3.2	2.20	154	88	9.07	3.1	2.40	181	75	7.75	2.9	2.10	201	68	6.96	2.8	2.20	233	58	6.00	2.7	2.60	248	55	5.64	2.7	2.70	289	47	4.85	2.6	3.00			323	42	4.34	2.5	3.30	378	36	3.70	2.4	3.70	249			56	5.63	5.3	1.90	GRX79 GRXF79	4P	262	53	5.35					5.2	1.90	296	47	4.73		5.0	2.60				347					40			4.04	4.8			3.50	378	37	3.70	4.7	4.10	431	32	3.25	4.5	5.50	455	31			3.08	4.4	6.20	519	27	2.70	4.2	7.80	576	24	2.43			4.1	8.70	309	45	4.53	3.4	1.80	GRX69 GRXF69	4P			326	43	4.30			3.3	1.85	371									38	3.77	3.2	2.30	438	32	3.20	3.1	3.10	484	29	2.89	3.0	3.60	551	25	2.54	2.9	4.60	583	24	2.40	2.8	5.00	686	20	2.04	2.7	6.40	753	19	1.86	2.6	6.70	870	16	1.61	2.5	7.00	1000	14	1.40	2.4	7.30	369	38	3.79	2.6	1.80	GRX59 GRXF59	4P	394	35	3.55			2.5	1.90			446							31	3.14	2.4	2.00	481	29	2.91	2.4
60	227	23.37	11	3.50	GR79 GRF79	4P	214	61	13.25			2.7	2.70	GR39 GRF39			2P																																																																																																																																																																																																																																																																																																																																																																																																																																																																																																																																														
65	208	21.43	11	3.80			74	183	18.80			10	4.10		23	595		61.26			6.9			0.95	GR69 GRF69	4P	25	553	56.89	7.4	1.05	27		501	51.56		8.0		1.15	30		450		46.29				8.4	1.30		35		388	39.88	8.8	1.45	37	365	37.50	9.0	1.50		43		314	32.27		9.3	1.65		49	280	28.83			9.4	1.80	50	273	28.13	9.5	1.90	GR69 GRF69	4P	52	260	26.72	9.4	2.00	60	228	23.44	9.0	2.30	70	193	19.89	8.6	3.00	78	174	17.95	8.4			3.20	26	517			53.22	4.9	0.85	GR59 GRF59	4P	29	469			48.23	5.7	0.90	32	421	43.30	5.6	1.00	38	363	37.30	5.5	1.20	40	341	35.07	5.4	1.25	46			293	30.18	5.3			1.45	52	262	26.97	5.1	1.65	53			256	26.31	5.1			1.70	GR59 GRF59	4P	56	243	24.99	5.1	1.75	64	213	21.93	4.9	2.00	75	181	18.60	4.7	2.40	83	163	16.79	4.6	2.60	95	144	14.77			4.5	2.90	100			136	13.95	4.4	3.00	118	115	11.88			4.2	3.40	38			359	36.93	2.3	0.80	GR49 GRF49	4P	40	338	34.73	3.6	0.85	47	290	29.88	4.0	1.00	52	260	26.70	3.9	1.10	61	222	22.81	3.8	1.25	60	226	23.28	3.8	1.25			GR49 GRF49	4P	64			212	21.81	3.8	1.35	73	187	19.27	3.7	1.50	78	174	17.89	3.6	1.60	86	158	16.22	3.6			1.65	96	142	14.56	3.5	1.80	112	122					12.54	3.3	1.95			119	115	11.79			3.3	2.00	138	99			10.15			3.2	2.20			154			88	9.07					3.1	2.40	181	75	7.75	2.9	2.10	201	68	6.96	2.8	2.20	233	58	6.00	2.7	2.60	248	55	5.64	2.7	2.70	289	47	4.85	2.6	3.00	323	42	4.34	2.5	3.30	378	36	3.70	2.4	3.70	249	56	5.63	5.3	1.90	GRX79 GRXF79	4P	262	53	5.35	5.2	1.90	296	47	4.73	5.0	2.60	347	40	4.04	4.8	3.50	378	37	3.70	4.7	4.10	431	32	3.25	4.5	5.50	455	31	3.08	4.4			6.20	519	27					2.70	4.2	7.80	576	24		2.43	4.1				8.70					309			45	4.53	3.4	1.80	GRX69 GRXF69	4P	326	43	4.30	3.3	1.85	371	38	3.77	3.2	2.30	438	32	3.20	3.1	3.10	484	29	2.89	3.0	3.60	551	25	2.54	2.9			4.60	583	24	2.40	2.8	5.00	686					20	2.04	2.7			6.40	753	19									1.86	2.6	6.70	870	16	1.61	2.5	7.00	1000	14	1.40	2.4	7.30	369	38	3.79	2.6	1.80	GRX59 GRXF59	4P	394	35	3.55	2.5	1.90	446	31	3.14	2.4	2.00	481	29	2.91	2.4	2.30	481	29	2.91	2.4	2.30	530	26	2.64	2.3	2.60																														
74	183	18.80	10	4.10			23	595	61.26	6.9	0.95	GR69 GRF69	4P		25	553		56.89			7.4			1.05			27	501	51.56	8.0	1.15	30		450	46.29		8.4		1.30	35		388	39.88	8.8		1.45		37	365		37.50		9.0	1.50	43	314	32.27	9.3	1.65	49	280		28.83		9.4	1.80		50	273		28.13	9.5	1.90	GR69 GRF69	4P	52	260	26.72	9.4	2.00	60	228			23.44	9.0	2.30	70	193	19.89	8.6	3.00	78	174	17.95	8.4	3.20	26	517	53.22	4.9	0.85	GR59 GRF59			4P	29	469			48.23	5.7	0.90			32	421	43.30	5.6	1.00	38	363	37.30	5.5	1.20	40	341	35.07	5.4	1.25	46	293	30.18	5.3	1.45	52	262	26.97			5.1	1.65	53			256	26.31	5.1	1.70	GR59 GRF59	4P	56			243	24.99	5.1	1.75	64	213			21.93	4.9	2.00	75	181	18.60	4.7	2.40	83	163	16.79	4.6	2.60	95	144	14.77	4.5	2.90	100	136	13.95	4.4	3.00			118	115	11.88			4.2	3.40	38	359	36.93	2.3	0.80			GR49 GRF49	4P	40	338	34.73	3.6	0.85	47	290			29.88	4.0	1.00	52	260	26.70	3.9	1.10	61	222	22.81	3.8	1.25	60	226	23.28	3.8	1.25	GR49 GRF49	4P	64	212	21.81	3.8	1.35					73	187	19.27	3.7	1.50	78	174	17.89	3.6	1.60	86	158	16.22	3.6	1.65	96	142	14.56	3.5	1.80	112			122	12.54	3.3	1.95	119	115	11.79	3.3					2.00	138	99			10.15	3.2	2.20			154	88	9.07	3.1			2.40			181	75			7.75			2.9	2.10					201	68	6.96	2.8	2.20	233	58	6.00	2.7	2.60	248	55	5.64	2.7	2.70	289	47	4.85	2.6	3.00	323	42	4.34	2.5	3.30	378	36	3.70	2.4	3.70	249	56	5.63	5.3	1.90	GRX79 GRXF79	4P	262	53	5.35	5.2	1.90			296	47	4.73	5.0	2.60	347	40	4.04	4.8	3.50	378	37	3.70	4.7	4.10	431	32	3.25	4.5	5.50	455	31	3.08	4.4	6.20	519	27	2.70	4.2			7.80	576	24	2.43	4.1			8.70	309	45	4.53	3.4		1.80	GRX69 GRXF69				4P					326			43	4.30	3.3	1.85			371	38	3.77	3.2	2.30	438	32	3.20	3.1	3.10	484	29	2.89	3.0	3.60	551	25	2.54	2.9	4.60	583	24	2.40	2.8	5.00	686	20	2.04	2.7	6.40	753	19	1.86					2.6	6.70	870			16	1.61	2.5									7.00	1000	14	1.40	2.4	7.30	369	38	3.79	2.6	1.80	GRX59 GRXF59	4P	394	35	3.55	2.5	1.90			446	31	3.14	2.4	2.00	481	29	2.91	2.4	2.30	481	29	2.91	2.4	2.30	530	26	2.64	2.3	2.60																																			
23	595	61.26	6.9	0.95	GR69 GRF69	4P	25	553	56.89	7.4	1.05				27	501		51.56			8.0			1.15			30	450	46.29	8.4	1.30	35		388	39.88		8.8	1.45	37	365	37.50	9.0	1.50	43		314		32.27	9.3		1.65		49	280	28.83	9.4	1.80	50	273	28.13	9.5		1.90		GR69 GRF69	4P	52	260	26.72	9.4	2.00	60	228			23.44	9.0	2.30	70	193	19.89	8.6			3.00	78	174	17.95	8.4	3.20	26	517	53.22	4.9	0.85	GR59 GRF59	4P	29	469	48.23	5.7	0.90					32	421	43.30	5.6	1.00	38	363			37.30	5.5	1.20	40	341	35.07	5.4	1.25	46	293	30.18	5.3	1.45	52	262	26.97	5.1	1.65	53	256	26.31	5.1	1.70			GR59 GRF59	4P	56			243	24.99	5.1	1.75			64	213	21.93	4.9	2.00	75	181	18.60	4.7			2.40	83	163	16.79	4.6	2.60	95	144	14.77	4.5	2.90	100	136	13.95	4.4	3.00	118	115	11.88	4.2	3.40	38	359			36.93	2.3	0.80			GR49 GRF49	4P	40	338	34.73	3.6	0.85	47	290			29.88	4.0	1.00	52	260	26.70	3.9			1.10	61	222	22.81	3.8	1.25	60	226	23.28	3.8	1.25	GR49 GRF49	4P	64	212	21.81	3.8	1.35			73	187	19.27	3.7	1.50	78	174			17.89	3.6	1.60	86	158	16.22	3.6	1.65	96	142	14.56	3.5	1.80	112	122	12.54	3.3	1.95	119	115	11.79	3.3	2.00	138	99	10.15	3.2	2.20	154	88	9.07					3.1	2.40	181			75	7.75	2.9			2.10	201	68	6.96			2.8			2.20	233			58			6.00	2.7					2.60	248	55	5.64	2.7	2.70	289	47	4.85	2.6	3.00	323	42	4.34	2.5	3.30	378	36	3.70	2.4	3.70	249	56	5.63	5.3	1.90	GRX79 GRXF79	4P	262	53	5.35	5.2	1.90	296	47			4.73	5.0	2.60	347	40			4.04	4.8	3.50	378	37	3.70	4.7	4.10	431	32	3.25	4.5	5.50	455	31	3.08	4.4	6.20	519	27	2.70	4.2	7.80	576	24	2.43	4.1	8.70	309			45	4.53	3.4	1.80	GRX69 GRXF69			4P	326	43	4.30	3.3	1.85	371		38								3.77			3.2	2.30	438	32			3.20	3.1	3.10	484	29	2.89	3.0	3.60	551	25	2.54	2.9	4.60	583	24	2.40	2.8	5.00	686	20	2.04	2.7	6.40	753	19	1.86	2.6	6.70	870	16	1.61	2.5	7.00			1000	14	1.40	2.4	7.30			369	38	3.79									2.6	1.80	GRX59 GRXF59	4P	394	35	3.55	2.5	1.90	446	31			3.14	2.4	2.00	481	29			2.91	2.4	2.30	481	29	2.91	2.4	2.30	530	26	2.64	2.3	2.60																																										
25	553	56.89	7.4	1.05			27	501	51.56	8.0	1.15				30	450		46.29			8.4			1.30			35	388	39.88	8.8	1.45	37	365	37.50	9.0	1.50	43	314	32.27	9.3	1.65	49	280	28.83		9.4		1.80	50		273		28.13	9.5	1.90	GR69 GRF69	4P	52	260	26.72	9.4	2.00	60	228			23.44	9.0	2.30	70	193	19.89	8.6			3.00	78	174	17.95	8.4	3.20	26			517	53.22	4.9	0.85	GR59 GRF59	4P	29	469	48.23	5.7	0.90			32	421	43.30	5.6	1.00		38	363		37.30	5.5	1.20	40	341	35.07	5.4			1.25	46	293	30.18	5.3	1.45	52	262	26.97	5.1	1.65	53	256	26.31	5.1	1.70	GR59 GRF59	4P	56	243	24.99	5.1	1.75					64	213	21.93	4.9	2.00	75	181			18.60	4.7	2.40	83	163	16.79	4.6	2.60	95			144	14.77	4.5	2.90	100	136	13.95	4.4	3.00	118	115	11.88	4.2	3.40	38	359	36.93	2.3	0.80	GR49 GRF49	4P	40	338			34.73	3.6	0.85	47	290			29.88	4.0	1.00	52	260	26.70	3.9			1.10	61	222	22.81	3.8	1.25	60			226	23.28	3.8	1.25	GR49 GRF49	4P	64	212	21.81	3.8	1.35			73	187	19.27	3.7	1.50			78	174	17.89	3.6	1.60	86	158			16.22	3.6	1.65	96	142	14.56	3.5	1.80	112	122	12.54	3.3	1.95	119	115	11.79	3.3	2.00	138	99	10.15	3.2	2.20	154	88	9.07	3.1	2.40	181	75	7.75		2.9	2.10		201	68	6.96			2.8	2.20	233			58	6.00	2.7	2.60			248			55	5.64			2.7			2.70	289					47	4.85	2.6	3.00	323	42	4.34	2.5	3.30	378	36	3.70	2.4	3.70	249	56	5.63	5.3	1.90	GRX79 GRXF79	4P	262	53	5.35	5.2	1.90			296	47	4.73	5.0	2.60	347	40			4.04	4.8	3.50	378	37			3.70	4.7	4.10	431	32	3.25	4.5	5.50	455	31	3.08	4.4	6.20	519	27	2.70	4.2	7.80	576	24	2.43	4.1	8.70	309	45	4.53	3.4	1.80	GRX69 GRXF69			4P	326	43	4.30					3.3	1.85	371	38	3.77	3.2		2.30						438	32	3.20			3.1	3.10	484	29			2.89	3.0	3.60	551	25	2.54	2.9	4.60	583	24	2.40	2.8	5.00	686	20	2.04	2.7	6.40	753	19	1.86	2.6	6.70	870	16	1.61	2.5	7.00	1000	14	1.40	2.4	7.30			369	38	3.79	2.6	1.80			GRX59 GRXF59	4P	394		35	3.55						2.5	1.90			446	31	3.14	2.4	2.00	481	29			2.91	2.4	2.30	481	29			2.91	2.4	2.30	530	26	2.64	2.3	2.60																																															
27	501	51.56	8.0	1.15			30	450	46.29	8.4	1.30				35	388		39.88			8.8	1.45	37	365			37.50	9.0	1.50	43	314	32.27	9.3	1.65	49	280	28.83	9.4	1.80	50	273	28.13	9.5	1.90		GR69 GRF69		4P	52	260	26.72	9.4	2.00	60	228			23.44	9.0	2.30	70	193	19.89	8.6			3.00	78	174	17.95	8.4	3.20	26			517	53.22	4.9	0.85	GR59 GRF59	4P	29			469	48.23	5.7	0.90			32	421	43.30	5.6	1.00			38	363	37.30	5.5	1.20		40	341		35.07	5.4	1.25	46	293	30.18	5.3			1.45	52	262	26.97	5.1	1.65	53	256	26.31	5.1	1.70	GR59 GRF59	4P	56	243	24.99			5.1	1.75	64	213	21.93	4.9	2.00			75	181	18.60	4.7	2.40	83	163			16.79	4.6	2.60	95	144	14.77	4.5	2.90	100			136	13.95	4.4	3.00	118	115	11.88	4.2	3.40	38	359	36.93	2.3	0.80	GR49 GRF49	4P	40	338	34.73			3.6	0.85	47	290	29.88	4.0	1.00	52	260			26.70	3.9	1.10	61	222	22.81	3.8			1.25	60	226	23.28	3.8	1.25	GR49 GRF49	4P	64	212	21.81	3.8	1.35			73	187	19.27	3.7	1.50			78	174	17.89	3.6	1.60			86	158	16.22	3.6	1.65	96	142			14.56	3.5	1.80	112	122	12.54	3.3	1.95	119	115	11.79	3.3	2.00	138	99	10.15	3.2	2.20	154	88	9.07	3.1	2.40	181	75	7.75	2.9	2.10	201	68	6.96		2.8	2.20		233	58	6.00			2.7	2.60	248	55	5.64	2.7	2.70	289	47			4.85			2.6	3.00			323			42	4.34					2.5	3.30	378	36	3.70	2.4	3.70	249	56	5.63	5.3	1.90	GRX79 GRXF79	4P	262	53	5.35	5.2	1.90			296	47	4.73	5.0	2.60			347	40	4.04	4.8	3.50	378	37			3.70	4.7	4.10	431	32			3.25	4.5	5.50	455	31	3.08	4.4	6.20	519	27	2.70	4.2	7.80	576	24	2.43	4.1	8.70	309	45	4.53	3.4	1.80	GRX69 GRXF69	4P	326	43	4.30					3.3	1.85	371					38	3.77	3.2	2.30	438	32		3.20						3.1	3.10	484	29	2.89	3.0	3.60	551	25			2.54	2.9	4.60	583	24	2.40	2.8	5.00	686	20	2.04	2.7	6.40	753	19	1.86	2.6	6.70	870	16	1.61	2.5	7.00	1000	14	1.40	2.4	7.30	369	38	3.79	2.6	1.80			GRX59 GRXF59	4P	394	35	3.55					2.5		1.90	446		31	3.14			2.4	2.00			481	29	2.91	2.4	2.30	481	29			2.91	2.4	2.30	530	26			2.64	2.3	2.60																																																				
30	450	46.29	8.4	1.30			35	388	39.88	8.8	1.45				37	365		37.50	9.0	1.50	43	314	32.27	9.3			1.65	49	280	28.83	9.4	1.80	50	273	28.13	9.5	1.90	GR69 GRF69	4P	52	260	26.72	9.4	2.00	60		228		23.44	9.0	2.30	70	193	19.89	8.6			3.00	78	174	17.95	8.4	3.20	26			517	53.22	4.9	0.85	GR59 GRF59	4P	29			469	48.23	5.7	0.90			32	421	43.30	5.6	1.00	38	363			37.30	5.5	1.20	40	341			35.07	5.4	1.25	46	293		30.18	5.3		1.45	52	262	26.97	5.1	1.65	53			256	26.31	5.1	1.70	GR59 GRF59	4P	56	243	24.99	5.1	1.75			64	213	21.93			4.9	2.00	75	181	18.60	4.7	2.40			83	163	16.79	4.6	2.60	95	144			14.77	4.5	2.90	100	136	13.95	4.4	3.00	118			115	11.88	4.2	3.40	38	359	36.93	2.3	0.80	GR49 GRF49	4P	40	338	34.73			3.6	0.85	47			290	29.88	4.0	1.00	52	260	26.70	3.9	1.10			61	222	22.81	3.8	1.25	60	226	23.28	3.8	1.25	GR49 GRF49	4P	64	212	21.81			3.8	1.35	73	187	19.27			3.7	1.50	78	174	17.89			3.6	1.60	86	158	16.22			3.6	1.65	96	142	14.56	3.5	1.80			112	122	12.54	3.3	1.95	119	115	11.79	3.3	2.00	138	99	10.15	3.2	2.20	154	88	9.07	3.1	2.40	181	75	7.75	2.9	2.10	201	68	6.96	2.8	2.20	233		58	6.00		2.7	2.60	248			55	5.64	2.7	2.70	289	47	4.85	2.6	3.00			323	42	4.34	2.5	3.30			378			36	3.70					2.4	3.70	249	56	5.63	5.3	1.90	GRX79 GRXF79	4P	262	53	5.35			5.2	1.90	296	47	4.73			5.0	2.60	347	40	4.04			4.8	3.50	378	37	3.70	4.7	4.10			431	32	3.25	4.5	5.50			455	31	3.08	4.4	6.20	519	27	2.70	4.2	7.80	576	24	2.43	4.1	8.70	309	45	4.53	3.4	1.80	GRX69 GRXF69	4P	326			43	4.30	3.3					1.85	371	38					3.77	3.2	2.30	438	32	3.20		3.1				3.10	484	29	2.89	3.0	3.60	551	25	2.54	2.9	4.60			583	24	2.40	2.8	5.00	686	20	2.04	2.7	6.40	753	19	1.86	2.6	6.70	870	16	1.61	2.5	7.00	1000	14	1.40	2.4	7.30	369	38	3.79	2.6	1.80	GRX59 GRXF59	4P	394					35	3.55	2.5					1.90		446	31	3.14	2.4	2.00	481		29	2.91			2.4	2.30	481	29	2.91	2.4	2.30			530	26	2.64	2.3	2.60																																																									
35	388	39.88	8.8	1.45			37	365	37.50	9.0	1.50			43	314	32.27	9.3	1.65	49	280	28.83	9.4	1.80	50			273	28.13	9.5	1.90	GR69 GRF69	4P	52	260	26.72	9.4	2.00			60	228	23.44	9.0	2.30	70		193		19.89	8.6	3.00	78	174	17.95	8.4			3.20	26	517	53.22	4.9	0.85	GR59 GRF59			4P	29	469	48.23			5.7	0.90	32	421	43.30	5.6	1.00			38	363	37.30	5.5	1.20	40	341			35.07	5.4	1.25	46	293			30.18	5.3	1.45	52	262		26.97	5.1		1.65	53	256	26.31	5.1	1.70	GR59 GRF59	4P	56	243	24.99	5.1	1.75			64	213	21.93	4.9	2.00			75	181	18.60			4.7	2.40	83	163	16.79	4.6	2.60			95	144	14.77	4.5	2.90	100	136			13.95	4.4	3.00	118	115	11.88	4.2	3.40	38	359	36.93	2.3	0.80	GR49 GRF49	4P	40	338	34.73	3.6	0.85			47	290	29.88			4.0	1.00	52			260	26.70	3.9	1.10	61	222	22.81	3.8	1.25	60	226	23.28	3.8	1.25	GR49 GRF49	4P	64	212	21.81	3.8	1.35			73	187	19.27			3.7	1.50	78	174	17.89			3.6	1.60	86	158	16.22			3.6	1.65	96	142	14.56			3.5	1.80	112	122	12.54	3.3	1.95			119	115	11.79	3.3	2.00	138	99	10.15	3.2	2.20	154	88	9.07	3.1	2.40	181	75	7.75	2.9	2.10	201	68	6.96	2.8	2.20	233	58	6.00	2.7	2.60	248		55	5.64		2.7	2.70	289			47	4.85	2.6	3.00	323	42	4.34	2.5	3.30			378	36	3.70	2.4	3.70			249	56	5.63	5.3	1.90					GRX79 GRXF79	4P	262	53	5.35	5.2	1.90			296	47	4.73			5.0	2.60	347	40	4.04			4.8	3.50	378	37	3.70			4.7	4.10	431	32	3.25	4.5	5.50			455	31	3.08	4.4	6.20			519	27	2.70	4.2	7.80	576	24	2.43	4.1	8.70	309	45	4.53	3.4	1.80	GRX69 GRXF69	4P	326	43	4.30			3.3			1.85	371	38					3.77	3.2	2.30					438	32	3.20	3.1	3.10	484		29	2.89	3.0		3.60	551	25	2.54	2.9	4.60	583	24	2.40	2.8	5.00			686	20	2.04	2.7	6.40	753	19	1.86	2.6	6.70	870	16	1.61	2.5	7.00	1000	14	1.40	2.4	7.30	369	38	3.79	2.6	1.80	GRX59 GRXF59	4P	394	35	3.55			2.5					1.90	446	31					3.14	2.4	2.00	481	29	2.91	2.4	2.30	481	29	2.91			2.4	2.30	530	26	2.64	2.3	2.60																																																																
37	365	37.50	9.0	1.50			43	314	32.27	9.3	1.65			49	280	28.83	9.4	1.80	50	273	28.13	9.5	1.90	GR69 GRF69	4P	52	260	26.72	9.4	2.00			60	228	23.44	9.0	2.30			70	193	19.89	8.6	3.00	78		174		17.95	8.4	3.20	26	517	53.22	4.9			0.85	GR59 GRF59	4P	29	469	48.23		5.7	0.90		32	421	43.30			5.6	1.00	38	363	37.30	5.5	1.20			40	341	35.07	5.4	1.25	46	293			30.18	5.3	1.45	52	262			26.97	5.1	1.65	53	256	26.31	5.1	1.70	GR59 GRF59	4P	56	243	24.99	5.1	1.75			64	213	21.93	4.9	2.00			75	181	18.60	4.7	2.40			83	163	16.79			4.6	2.60	95	144	14.77	4.5	2.90			100	136	13.95	4.4	3.00	118	115	11.88	4.2	3.40	38	359	36.93	2.3	0.80	GR49 GRF49	4P	40	338	34.73	3.6	0.85			47	290	29.88	4.0	1.00			52	260	26.70			3.9	1.10	61	222	22.81	3.8	1.25	60	226	23.28	3.8	1.25	GR49 GRF49	4P	64	212	21.81	3.8	1.35			73	187	19.27	3.7	1.50			78	174	17.89			3.6	1.60	86	158	16.22			3.6	1.65	96	142	14.56			3.5	1.80	112	122	12.54			3.3	1.95	119	115	11.79	3.3	2.00			138	99	10.15	3.2	2.20	154	88	9.07	3.1	2.40	181	75	7.75	2.9	2.10	201	68	6.96	2.8	2.20	233	58	6.00	2.7	2.60	248	55	5.64	2.7	2.70	289		47	4.85		2.6	3.00	323			42	4.34	2.5	3.30	378	36	3.70	2.4	3.70			249	56	5.63	5.3	1.90			GRX79 GRXF79	4P	262	53	5.35		5.2	1.90				296	47	4.73	5.0	2.60			347	40	4.04			4.8	3.50	378	37	3.70			4.7	4.10	431	32	3.25			4.5	5.50	455	31	3.08	4.4	6.20			519	27	2.70	4.2	7.80			576	24	2.43	4.1	8.70	309	45	4.53	3.4	1.80	GRX69 GRXF69	4P	326	43	4.30			3.3	1.85	371			38			3.77	3.2	2.30					438	32	3.20		3.1	3.10		484	29	2.89	3.0	3.60	551		25	2.54	2.9		4.60	583	24	2.40	2.8	5.00	686	20	2.04	2.7	6.40			753	19	1.86	2.6	6.70	870	16	1.61	2.5	7.00	1000	14	1.40	2.4	7.30	369	38	3.79	2.6	1.80	GRX59 GRXF59	4P	394	35	3.55			2.5	1.90	446			31					3.14	2.4	2.00	481	29			2.91	2.4	2.30	481	29	2.91	2.4	2.30	530	26	2.64			2.3	2.60																																																																					
43	314	32.27	9.3	1.65			49	280	28.83	9.4	1.80	50	273	28.13	9.5	1.90	GR69 GRF69	4P	52	260	26.72	9.4	2.00			60	228	23.44	9.0	2.30			70	193	19.89	8.6	3.00			78	174	17.95	8.4	3.20	26		517		53.22	4.9	0.85	GR59 GRF59	4P	29	469	48.23	5.7	0.90			32	421	43.30		5.6	1.00		38	363	37.30			5.5	1.20	40	341	35.07	5.4	1.25			46	293	30.18	5.3	1.45	52	262			26.97	5.1	1.65	53	256	26.31	5.1	1.70	GR59 GRF59	4P	56	243	24.99	5.1	1.75			64	213	21.93	4.9	2.00			75	181	18.60	4.7	2.40			83	163	16.79	4.6	2.60			95	144	14.77			4.5	2.90	100	136	13.95	4.4	3.00	118	115	11.88	4.2	3.40	38	359	36.93	2.3	0.80	GR49 GRF49	4P	40	338	34.73	3.6	0.85			47	290	29.88	4.0	1.00			52	260	26.70	3.9	1.10			61	222	22.81	3.8	1.25	60	226	23.28	3.8	1.25	GR49 GRF49	4P	64	212	21.81	3.8	1.35			73	187	19.27	3.7	1.50			78	174	17.89	3.6	1.60			86	158	16.22			3.6	1.65	96	142	14.56			3.5	1.80	112	122	12.54			3.3	1.95	119	115	11.79			3.3	2.00	138	99	10.15	3.2	2.20			154	88	9.07	3.1	2.40	181	75	7.75	2.9	2.10	201	68	6.96	2.8	2.20	233	58	6.00	2.7	2.60	248	55	5.64	2.7	2.70	289	47	4.85	2.6	3.00	323		42	4.34		2.5	3.30	378			36	3.70	2.4	3.70	249	56	5.63	5.3	1.90			GRX79 GRXF79	4P	262	53	5.35					5.2	1.90	296	47	4.73	5.0	2.60			347	40	4.04	4.8	3.50			378	37	3.70			4.7	4.10	431	32	3.25			4.5	5.50	455	31	3.08			4.4	6.20	519	27	2.70	4.2	7.80			576	24	2.43	4.1	8.70			309	45	4.53	3.4	1.80	GRX69 GRXF69	4P	326	43	4.30			3.3	1.85	371			38	3.77	3.2			2.30			438	32	3.20		3.1	3.10		484	29	2.89		3.0	3.60		551	25	2.54	2.9	4.60	583		24	2.40	2.8		5.00	686	20	2.04	2.7	6.40	753	19	1.86	2.6	6.70			870	16	1.61	2.5	7.00	1000	14	1.40	2.4	7.30	369	38	3.79	2.6	1.80	GRX59 GRXF59	4P	394	35	3.55			2.5	1.90	446			31	3.14	2.4			2.00	481	29			2.91	2.4	2.30	481	29			2.91	2.4	2.30	530	26	2.64	2.3	2.60																																																																												
49	280	28.83	9.4	1.80	50	273	28.13	9.5	1.90	GR69 GRF69	4P	52	260	26.72	9.4	2.00			60	228	23.44	9.0	2.30			70	193	19.89	8.6	3.00			78	174	17.95	8.4	3.20			26	517	53.22	4.9	0.85	GR59 GRF59	4P	29	469	48.23	5.7	0.90			32	421	43.30	5.6	1.00			38	363	37.30		5.5	1.20		40	341	35.07			5.4	1.25	46	293	30.18	5.3	1.45			52	262	26.97	5.1	1.65	53	256	26.31	5.1	1.70	GR59 GRF59	4P	56	243	24.99	5.1	1.75			64	213	21.93	4.9	2.00			75	181	18.60	4.7	2.40			83	163	16.79	4.6	2.60			95	144	14.77	4.5	2.90			100	136	13.95	4.4	3.00	118	115	11.88	4.2	3.40	38	359	36.93	2.3	0.80	GR49 GRF49	4P	40	338	34.73	3.6	0.85			47	290	29.88	4.0	1.00			52	260	26.70	3.9	1.10			61	222	22.81	3.8	1.25	60	226	23.28	3.8	1.25	GR49 GRF49	4P	64	212	21.81	3.8	1.35			73	187	19.27	3.7	1.50			78	174	17.89	3.6	1.60			86	158	16.22	3.6	1.65			96	142	14.56			3.5	1.80	112	122	12.54			3.3	1.95	119	115	11.79			3.3	2.00	138	99	10.15			3.2	2.20	154	88	9.07	3.1	2.40			181	75	7.75	2.9	2.10	201	68	6.96	2.8	2.20	233	58	6.00	2.7	2.60	248	55	5.64	2.7	2.70	289	47	4.85	2.6	3.00	323	42	4.34	2.5	3.30	378		36	3.70		2.4	3.70	249			56	5.63	5.3	1.90	GRX79 GRXF79	4P	262	53	5.35					5.2	1.90	296	47	4.73			5.0	2.60	347	40	4.04	4.8	3.50			378	37	3.70	4.7	4.10			431	32	3.25			4.5	5.50	455	31	3.08			4.4	6.20	519	27	2.70			4.2	7.80	576	24	2.43	4.1	8.70			309	45	4.53	3.4	1.80			GRX69 GRXF69	4P	326	43	4.30			3.3	1.85	371			38	3.77	3.2			2.30	438	32			3.20			3.1	3.10	484		29	2.89		3.0	3.60	551		25	2.54		2.9	4.60	583	24	2.40	2.8		5.00	686	20		2.04	2.7	6.40	753	19	1.86	2.6	6.70	870	16	1.61			2.5	7.00	1000	14	1.40	2.4	7.30	369	38	3.79	2.6	1.80	GRX59 GRXF59	4P	394			35	3.55	2.5			1.90	446	31			3.14	2.4	2.00			481	29	2.91			2.4	2.30	481	29	2.91	2.4	2.30	530	26	2.64	2.3	2.60																																																																															
50	273	28.13	9.5	1.90	GR69 GRF69	4P	52	260	26.72			9.4	2.00	60	228	23.44			9.0	2.30	70	193	19.89			8.6	3.00	78	174	17.95			8.4	3.20	26	517	53.22	4.9	0.85	GR59 GRF59	4P	29	469	48.23			5.7	0.90	32	421	43.30			5.6	1.00	38	363	37.30			5.5	1.20	40		341	35.07		5.4	1.25	46			293	30.18	5.3	1.45	52	262	26.97	5.1	1.65	53	256	26.31	5.1	1.70	GR59 GRF59	4P	56	243	24.99			5.1	1.75	64	213	21.93			4.9	2.00	75	181	18.60			4.7	2.40	83	163	16.79			4.6	2.60	95	144	14.77			4.5	2.90	100	136	13.95	4.4	3.00	118	115	11.88	4.2	3.40	38	359	36.93	2.3	0.80	GR49 GRF49	4P	40	338	34.73			3.6	0.85	47	290	29.88			4.0	1.00	52	260	26.70			3.9	1.10	61	222	22.81	3.8	1.25	60	226	23.28	3.8	1.25	GR49 GRF49	4P	64	212	21.81			3.8	1.35	73	187	19.27			3.7	1.50	78	174	17.89			3.6	1.60	86	158	16.22			3.6	1.65	96	142	14.56			3.5	1.80	112			122	12.54	3.3	1.95	119			115	11.79	3.3	2.00	138			99	10.15	3.2	2.20	154			88	9.07	3.1	2.40	181	75	7.75			2.9	2.10	201	68	6.96	2.8	2.20	233	58	6.00	2.7	2.60	248	55	5.64	2.7	2.70	289	47	4.85	2.6	3.00	323	42	4.34	2.5	3.30	378	36	3.70	2.4		3.70	249		56	5.63	5.3			1.90	GRX79 GRXF79	4P	262			53	5.35	5.2	1.90	296			47	4.73	5.0	2.60	347			40	4.04	4.8	3.50	378	37	3.70			4.7	4.10	431	32	3.25			4.5	5.50	455			31	3.08	4.4	6.20	519			27	2.70	4.2	7.80	576			24	2.43	4.1	8.70	309	45	4.53			3.4	1.80	GRX69 GRXF69	4P	326	43	4.30			3.3	1.85	371			38	3.77	3.2			2.30	438	32			3.20	3.1	3.10			484			29	2.89	3.0		3.60	551		25	2.54	2.9		4.60	583		24	2.40	2.8	5.00	686	20		2.04	2.7	6.40		753	19	1.86	2.6	6.70	870	16	1.61	2.5	7.00	1000	14	1.40	2.4	7.30	369	38	3.79	2.6	1.80	GRX59 GRXF59	4P	394	35	3.55			2.5			1.90	446	31			3.14	2.4	2.00			481	29	2.91			2.4	2.30	481	29	2.91	2.4	2.30	530	26	2.64	2.3	2.60																																																																																				
52	260	26.72	9.4	2.00			60	228	23.44			9.0	2.30	70	193	19.89			8.6	3.00	78	174	17.95			8.4	3.20	26	517	53.22	4.9	0.85	GR59 GRF59	4P	29	469	48.23	5.7	0.90			32	421	43.30			5.6	1.00	38	363	37.30			5.5	1.20	40	341	35.07			5.4	1.25	46		293	30.18		5.3	1.45	52	262	26.97	5.1	1.65	53	256	26.31	5.1	1.70	GR59 GRF59	4P	56	243	24.99	5.1	1.75			64	213	21.93			4.9	2.00	75	181	18.60			4.7	2.40	83	163	16.79			4.6	2.60	95	144	14.77			4.5	2.90	100	136	13.95	4.4	3.00	118	115	11.88	4.2	3.40	38	359	36.93	2.3	0.80	GR49 GRF49	4P	40	338	34.73	3.6	0.85			47	290	29.88			4.0	1.00	52	260	26.70			3.9	1.10	61	222	22.81	3.8	1.25	60	226	23.28	3.8	1.25	GR49 GRF49	4P	64	212	21.81	3.8	1.35			73	187	19.27			3.7	1.50	78	174	17.89			3.6	1.60	86	158	16.22			3.6	1.65	96	142	14.56			3.5	1.80	112	122	12.54			3.3	1.95	119			115	11.79	3.3	2.00	138			99	10.15	3.2	2.20	154			88	9.07	3.1	2.40	181			75	7.75	2.9	2.10	201	68	6.96			2.8	2.20	233	58	6.00	2.7	2.60	248	55	5.64	2.7	2.70	289	47	4.85	2.6	3.00	323	42	4.34	2.5	3.30	378	36	3.70	2.4	3.70	249	56	5.63	5.3		1.90	GRX79 GRXF79		4P	262	53	5.35	5.2	1.90			296			47	4.73	5.0	2.60	347			40	4.04	4.8	3.50	378			37	3.70	4.7	4.10	431	32	3.25			4.5	5.50	455	31	3.08			4.4	6.20	519			27	2.70	4.2	7.80	576			24	2.43	4.1	8.70	309			45	4.53	3.4	1.80	GRX69 GRXF69	4P	326	43	4.30	3.3	1.85			371	38	3.77			3.2	2.30	438			32	3.20	3.1			3.10	484	29			2.89	3.0	3.60			551			25	2.54	2.9		4.60	583		24	2.40	2.8		5.00	686		20	2.04	2.7	6.40	753	19	1.86	2.6	6.70	870	16	1.61	2.5	7.00	1000	14	1.40	2.4	7.30	369	38	3.79	2.6	1.80	GRX59 GRXF59	4P	394	35	3.55	2.5	1.90			446	31	3.14			2.4			2.00	481	29			2.91	2.4	2.30			481	29	2.91	2.4	2.30	530	26	2.64	2.3	2.60																																																																																											
60	228	23.44	9.0	2.30			70	193	19.89			8.6	3.00	78	174	17.95			8.4	3.20	26	517	53.22	4.9	0.85	GR59 GRF59	4P	29	469	48.23	5.7	0.90			32	421	43.30	5.6	1.00			38	363	37.30			5.5	1.20	40	341	35.07			5.4	1.25	46	293	30.18			5.3	1.45	52	262	26.97	5.1	1.65	53	256	26.31	5.1	1.70	GR59 GRF59	4P	56	243	24.99	5.1	1.75			64	213	21.93	4.9	2.00			75	181	18.60			4.7	2.40	83	163	16.79			4.6	2.60	95	144	14.77			4.5	2.90	100	136	13.95	4.4	3.00	118	115	11.88	4.2	3.40	38	359	36.93	2.3	0.80	GR49 GRF49	4P	40	338	34.73	3.6	0.85			47	290	29.88	4.0	1.00			52	260	26.70			3.9	1.10	61	222	22.81	3.8	1.25	60	226	23.28	3.8	1.25	GR49 GRF49	4P	64	212	21.81	3.8	1.35			73	187	19.27	3.7	1.50			78	174	17.89			3.6	1.60	86	158	16.22			3.6	1.65	96	142	14.56			3.5	1.80	112	122	12.54			3.3	1.95	119	115	11.79			3.3	2.00	138			99	10.15	3.2	2.20	154			88	9.07	3.1	2.40	181			75	7.75	2.9	2.10	201			68	6.96	2.8	2.20	233	58	6.00			2.7	2.60	248	55	5.64	2.7	2.70	289	47	4.85	2.6	3.00	323	42	4.34	2.5	3.30	378	36	3.70	2.4	3.70	249	56	5.63	5.3	1.90	GRX79 GRXF79	4P	262	53	5.35	5.2		1.90		296	47	4.73	5.0	2.60			347			40	4.04	4.8	3.50	378			37	3.70	4.7	4.10	431			32	3.25	4.5	5.50	455	31	3.08			4.4	6.20	519	27	2.70			4.2	7.80	576			24	2.43	4.1	8.70	309			45	4.53	3.4	1.80	GRX69 GRXF69	4P	326	43	4.30	3.3	1.85			371	38	3.77	3.2	2.30			438	32	3.20			3.1	3.10	484			29	2.89	3.0			3.60	551	25			2.54	2.9	4.60			583			24	2.40	2.8		5.00	686		20	2.04	2.7	6.40	753	19	1.86	2.6	6.70	870	16	1.61	2.5	7.00	1000	14	1.40	2.4	7.30	369	38	3.79	2.6	1.80	GRX59 GRXF59	4P	394	35	3.55	2.5	1.90			446	31	3.14	2.4	2.00			481	29	2.91			2.4			2.30	481	29			2.91	2.4	2.30	530	26	2.64	2.3	2.60																																																																																																		
70	193	19.89	8.6	3.00			78	174	17.95			8.4	3.20	26	517	53.22	4.9	0.85	GR59 GRF59	4P	29	469	48.23	5.7	0.90			32	421	43.30	5.6	1.00			38	363	37.30	5.5	1.20			40	341	35.07			5.4	1.25	46	293	30.18			5.3	1.45	52	262	26.97	5.1	1.65	53	256	26.31	5.1	1.70	GR59 GRF59	4P	56	243	24.99	5.1	1.75			64	213	21.93	4.9	2.00			75	181	18.60	4.7	2.40			83	163	16.79			4.6	2.60	95	144	14.77			4.5	2.90	100	136	13.95	4.4	3.00	118	115	11.88	4.2	3.40	38	359	36.93	2.3	0.80	GR49 GRF49	4P	40	338	34.73	3.6	0.85			47	290	29.88	4.0	1.00			52	260	26.70	3.9	1.10			61	222	22.81	3.8	1.25	60	226	23.28	3.8	1.25	GR49 GRF49	4P	64	212	21.81	3.8	1.35			73	187	19.27	3.7	1.50			78	174	17.89	3.6	1.60			86	158	16.22			3.6	1.65	96	142	14.56			3.5	1.80	112	122	12.54			3.3	1.95	119	115	11.79			3.3	2.00	138	99	10.15			3.2	2.20	154			88	9.07	3.1	2.40	181			75	7.75	2.9	2.10	201			68	6.96	2.8	2.20	233			58	6.00	2.7	2.60	248	55	5.64			2.7	2.70	289	47	4.85	2.6	3.00	323	42	4.34	2.5	3.30	378	36	3.70	2.4	3.70	249	56	5.63	5.3	1.90	GRX79 GRXF79	4P	262	53	5.35			5.2	1.90	296	47		4.73		5.0	2.60	347	40	4.04			4.8			3.50	378	37	3.70	4.7			4.10	431	32	3.25	4.5			5.50	455	31	3.08	4.4	6.20	519			27	2.70	4.2	7.80	576			24	2.43	4.1			8.70	309	45	4.53	3.4	1.80	GRX69 GRXF69	4P	326	43	4.30			3.3	1.85	371	38	3.77			3.2	2.30	438	32	3.20			3.1	3.10	484			29	2.89	3.0			3.60	551	25			2.54	2.9	4.60			583	24	2.40			2.8			5.00	686	20	2.04	2.7	6.40	753	19	1.86	2.6	6.70	870	16	1.61	2.5	7.00	1000	14	1.40	2.4	7.30	369	38	3.79	2.6	1.80	GRX59 GRXF59	4P	394	35	3.55			2.5	1.90	446	31	3.14			2.4	2.00	481	29	2.91			2.4	2.30	481			29			2.91	2.4	2.30	530	26	2.64	2.3	2.60																																																																																																							
78	174	17.95	8.4	3.20			26	517	53.22	4.9	0.85	GR59 GRF59	4P	29	469	48.23	5.7	0.90			32	421	43.30	5.6	1.00			38	363	37.30	5.5	1.20			40	341	35.07	5.4	1.25			46	293	30.18			5.3	1.45	52	262	26.97	5.1	1.65	53	256	26.31	5.1	1.70	GR59 GRF59	4P	56	243	24.99	5.1	1.75			64	213	21.93	4.9	2.00			75	181	18.60	4.7	2.40			83	163	16.79	4.6	2.60			95	144	14.77			4.5	2.90	100	136	13.95	4.4	3.00	118	115	11.88	4.2	3.40	38	359	36.93	2.3	0.80	GR49 GRF49	4P	40	338	34.73	3.6	0.85			47	290	29.88	4.0	1.00			52	260	26.70	3.9	1.10			61	222	22.81	3.8	1.25	60	226	23.28	3.8	1.25	GR49 GRF49	4P	64	212	21.81	3.8	1.35			73	187	19.27	3.7	1.50			78	174	17.89	3.6	1.60			86	158	16.22	3.6	1.65			96	142	14.56			3.5	1.80	112	122	12.54			3.3	1.95	119	115	11.79			3.3	2.00	138	99	10.15			3.2	2.20	154	88	9.07			3.1	2.40	181			75	7.75	2.9	2.10	201			68	6.96	2.8	2.20	233			58	6.00	2.7	2.60	248			55	5.64	2.7	2.70	289	47	4.85	2.6	3.00	323	42	4.34	2.5	3.30	378	36	3.70	2.4	3.70	249	56	5.63	5.3	1.90	GRX79 GRXF79	4P	262	53	5.35	5.2	1.90			296	47	4.73			5.0	2.60	347	40		4.04		4.8	3.50	378	37	3.70			4.7			4.10	431	32	3.25	4.5			5.50	455	31	3.08	4.4			6.20	519	27	2.70	4.2	7.80	576			24	2.43	4.1	8.70	309			45	4.53	3.4	1.80	GRX69 GRXF69	4P	326	43	4.30	3.3	1.85			371	38	3.77			3.2	2.30	438	32	3.20			3.1	3.10	484	29	2.89			3.0	3.60	551			25	2.54	2.9			4.60	583	24			2.40	2.8	5.00			686	20	2.04			2.7	6.40	753	19	1.86	2.6	6.70	870	16	1.61	2.5	7.00	1000	14	1.40	2.4	7.30	369	38	3.79	2.6	1.80	GRX59 GRXF59	4P	394	35	3.55	2.5	1.90			446	31	3.14			2.4	2.00	481	29	2.91			2.4	2.30	481	29	2.91			2.4	2.30	530			26	2.64	2.3	2.60																																																																																																														
26	517	53.22	4.9	0.85	GR59 GRF59	4P	29	469	48.23	5.7	0.90			32	421	43.30	5.6	1.00			38	363	37.30	5.5	1.20			40	341	35.07	5.4	1.25			46	293	30.18	5.3	1.45			52	262	26.97	5.1	1.65	53	256	26.31	5.1	1.70	GR59 GRF59	4P	56	243	24.99	5.1	1.75			64	213	21.93	4.9	2.00			75	181	18.60	4.7	2.40			83	163	16.79	4.6	2.60			95	144	14.77	4.5	2.90			100	136	13.95	4.4	3.00	118	115	11.88	4.2	3.40	38	359	36.93	2.3	0.80	GR49 GRF49	4P	40	338	34.73	3.6	0.85			47	290	29.88	4.0	1.00			52	260	26.70	3.9	1.10			61	222	22.81	3.8	1.25	60	226	23.28	3.8	1.25	GR49 GRF49	4P	64	212	21.81	3.8	1.35			73	187	19.27	3.7	1.50			78	174	17.89	3.6	1.60			86	158	16.22	3.6	1.65			96	142	14.56	3.5	1.80			112	122	12.54			3.3	1.95	119	115	11.79			3.3	2.00	138	99	10.15			3.2	2.20	154	88	9.07			3.1	2.40	181	75	7.75			2.9	2.10	201			68	6.96	2.8	2.20	233			58	6.00	2.7	2.60	248			55	5.64	2.7	2.70	289	47	4.85	2.6	3.00	323	42	4.34	2.5	3.30	378	36	3.70	2.4	3.70	249	56	5.63	5.3	1.90	GRX79 GRXF79	4P	262	53	5.35	5.2	1.90			296	47	4.73	5.0	2.60			347	40	4.04			4.8	3.50	378	37		3.70		4.7	4.10	431	32	3.25			4.5			5.50	455	31	3.08	4.4			6.20	519	27	2.70	4.2			7.80	576	24	2.43	4.1	8.70	309			45	4.53	3.4	1.80	GRX69 GRXF69	4P	326	43	4.30	3.3	1.85			371	38	3.77	3.2	2.30			438	32	3.20			3.1	3.10	484	29	2.89			3.0	3.60	551	25	2.54			2.9	4.60	583			24	2.40	2.8			5.00	686	20			2.04	2.7	6.40			753	19	1.86	2.6	6.70	870	16	1.61	2.5	7.00	1000	14	1.40	2.4	7.30	369	38	3.79	2.6	1.80	GRX59 GRXF59	4P	394	35	3.55	2.5	1.90			446	31	3.14	2.4	2.00			481	29	2.91			2.4	2.30	481	29	2.91			2.4	2.30	530	26	2.64			2.3	2.60																																																																																																																					
29	469	48.23	5.7	0.90			32	421	43.30	5.6	1.00			38	363	37.30	5.5	1.20			40	341	35.07	5.4	1.25			46	293	30.18	5.3	1.45			52	262	26.97	5.1	1.65	53	256	26.31	5.1	1.70	GR59 GRF59	4P	56	243	24.99	5.1	1.75			64	213	21.93	4.9	2.00			75	181	18.60	4.7	2.40			83	163	16.79	4.6	2.60			95	144	14.77	4.5	2.90			100	136	13.95	4.4	3.00	118	115	11.88	4.2	3.40	38	359	36.93	2.3	0.80	GR49 GRF49	4P	40	338	34.73	3.6	0.85			47	290	29.88	4.0	1.00			52	260	26.70	3.9	1.10			61	222	22.81	3.8	1.25	60	226	23.28	3.8	1.25	GR49 GRF49	4P	64	212	21.81	3.8	1.35			73	187	19.27	3.7	1.50			78	174	17.89	3.6	1.60			86	158	16.22	3.6	1.65			96	142	14.56	3.5	1.80			112	122	12.54	3.3	1.95			119	115	11.79			3.3	2.00	138	99	10.15			3.2	2.20	154	88	9.07			3.1	2.40	181	75	7.75			2.9	2.10	201	68	6.96			2.8	2.20	233			58	6.00	2.7	2.60	248			55	5.64	2.7	2.70	289	47	4.85	2.6	3.00	323	42	4.34	2.5	3.30	378	36	3.70	2.4	3.70	249	56	5.63	5.3	1.90	GRX79 GRXF79	4P	262	53	5.35	5.2	1.90			296	47	4.73	5.0	2.60			347	40	4.04	4.8	3.50			378	37	3.70			4.7	4.10	431	32		3.25		4.5	5.50	455	31	3.08			4.4			6.20	519	27	2.70	4.2			7.80	576	24	2.43	4.1			8.70	309	45	4.53	3.4	1.80	GRX69 GRXF69	4P	326	43	4.30	3.3	1.85			371	38	3.77	3.2	2.30			438	32	3.20	3.1	3.10			484	29	2.89			3.0	3.60	551	25	2.54			2.9	4.60	583	24	2.40			2.8	5.00	686			20	2.04	2.7			6.40	753	19			1.86	2.6	6.70	870	16	1.61	2.5	7.00	1000	14	1.40	2.4	7.30	369	38	3.79	2.6	1.80	GRX59 GRXF59	4P	394	35	3.55	2.5	1.90			446	31	3.14	2.4	2.00			481	29	2.91	2.4	2.30			481	29	2.91			2.4	2.30	530	26	2.64			2.3	2.60																																																																																																																												
32	421	43.30	5.6	1.00			38	363	37.30	5.5	1.20			40	341	35.07	5.4	1.25			46	293	30.18	5.3	1.45			52	262	26.97	5.1	1.65	53	256	26.31	5.1	1.70	GR59 GRF59	4P	56	243	24.99	5.1	1.75			64	213	21.93	4.9	2.00			75	181	18.60	4.7	2.40			83	163	16.79	4.6	2.60			95	144	14.77	4.5	2.90			100	136	13.95	4.4	3.00	118	115	11.88	4.2	3.40	38	359	36.93	2.3	0.80	GR49 GRF49	4P	40	338	34.73	3.6	0.85			47	290	29.88	4.0	1.00			52	260	26.70	3.9	1.10			61	222	22.81	3.8	1.25	60	226	23.28	3.8	1.25	GR49 GRF49	4P	64	212	21.81	3.8	1.35			73	187	19.27	3.7	1.50			78	174	17.89	3.6	1.60			86	158	16.22	3.6	1.65			96	142	14.56	3.5	1.80			112	122	12.54	3.3	1.95			119	115	11.79	3.3	2.00			138	99	10.15			3.2	2.20	154	88	9.07			3.1	2.40	181	75	7.75			2.9	2.10	201	68	6.96			2.8	2.20	233	58	6.00			2.7	2.60	248			55	5.64	2.7	2.70	289	47	4.85	2.6	3.00	323	42	4.34	2.5	3.30	378	36	3.70	2.4	3.70	249	56	5.63	5.3	1.90	GRX79 GRXF79	4P	262	53	5.35	5.2	1.90			296	47	4.73	5.0	2.60			347	40	4.04	4.8	3.50			378	37	3.70	4.7	4.10			431	32	3.25			4.5	5.50	455	31		3.08		4.4	6.20	519	27	2.70			4.2			7.80	576	24	2.43	4.1			8.70	309	45	4.53	3.4	1.80	GRX69 GRXF69	4P	326	43	4.30	3.3	1.85			371	38	3.77	3.2	2.30			438	32	3.20	3.1	3.10			484	29	2.89	3.0	3.60			551	25	2.54			2.9	4.60	583	24	2.40			2.8	5.00	686	20	2.04			2.7	6.40	753			19	1.86	2.6			6.70	870	16	1.61	2.5	7.00	1000	14	1.40	2.4	7.30	369	38	3.79	2.6	1.80	GRX59 GRXF59	4P	394	35	3.55	2.5	1.90			446	31	3.14	2.4	2.00			481	29	2.91	2.4	2.30			481	29	2.91	2.4	2.30			530	26	2.64			2.3	2.60																																																																																																																																			
38	363	37.30	5.5	1.20			40	341	35.07	5.4	1.25			46	293	30.18	5.3	1.45			52	262	26.97	5.1	1.65	53	256	26.31	5.1	1.70	GR59 GRF59	4P	56	243	24.99	5.1	1.75			64	213	21.93	4.9	2.00			75	181	18.60	4.7	2.40			83	163	16.79	4.6	2.60			95	144	14.77	4.5	2.90			100	136	13.95	4.4	3.00	118	115	11.88	4.2	3.40	38	359	36.93	2.3	0.80	GR49 GRF49	4P	40	338	34.73	3.6	0.85			47	290	29.88	4.0	1.00			52	260	26.70	3.9	1.10			61	222	22.81	3.8	1.25	60	226	23.28	3.8	1.25	GR49 GRF49	4P	64	212	21.81	3.8	1.35			73	187	19.27	3.7	1.50			78	174	17.89	3.6	1.60			86	158	16.22	3.6	1.65			96	142	14.56	3.5	1.80			112	122	12.54	3.3	1.95			119	115	11.79	3.3	2.00			138	99	10.15	3.2	2.20			154	88	9.07			3.1	2.40	181	75	7.75			2.9	2.10	201	68	6.96			2.8	2.20	233	58	6.00			2.7	2.60	248	55	5.64			2.7	2.70	289	47	4.85	2.6	3.00	323	42	4.34	2.5	3.30	378	36	3.70	2.4	3.70	249	56	5.63	5.3	1.90	GRX79 GRXF79	4P	262	53	5.35	5.2	1.90			296	47	4.73	5.0	2.60			347	40	4.04	4.8	3.50			378	37	3.70	4.7	4.10			431	32	3.25	4.5	5.50			455	31	3.08			4.4	6.20	519	27		2.70		4.2	7.80	576	24	2.43			4.1			8.70	309	45	4.53	3.4	1.80	GRX69 GRXF69	4P	326	43	4.30	3.3	1.85			371	38	3.77	3.2	2.30			438	32	3.20	3.1	3.10			484	29	2.89	3.0	3.60			551	25	2.54	2.9	4.60			583	24	2.40			2.8	5.00	686	20	2.04			2.7	6.40	753	19	1.86			2.6	6.70	870			16	1.61	2.5	7.00	1000	14	1.40	2.4	7.30	369	38	3.79	2.6	1.80	GRX59 GRXF59	4P	394	35	3.55	2.5	1.90			446	31	3.14	2.4	2.00			481	29	2.91	2.4	2.30			481	29	2.91	2.4	2.30			530	26	2.64	2.3	2.60																																																																																																																																												
40	341	35.07	5.4	1.25			46	293	30.18	5.3	1.45			52	262	26.97	5.1	1.65	53	256	26.31	5.1	1.70	GR59 GRF59	4P	56	243	24.99	5.1	1.75			64	213	21.93	4.9	2.00			75	181	18.60	4.7	2.40			83	163	16.79	4.6	2.60			95	144	14.77	4.5	2.90			100	136	13.95	4.4	3.00	118	115	11.88	4.2	3.40	38	359	36.93	2.3	0.80	GR49 GRF49	4P	40	338	34.73	3.6	0.85			47	290	29.88	4.0	1.00			52	260	26.70	3.9	1.10			61	222	22.81	3.8	1.25	60	226	23.28	3.8	1.25	GR49 GRF49	4P	64	212	21.81	3.8	1.35			73	187	19.27	3.7	1.50			78	174	17.89	3.6	1.60			86	158	16.22	3.6	1.65			96	142	14.56	3.5	1.80			112	122	12.54	3.3	1.95			119	115	11.79	3.3	2.00			138	99	10.15	3.2	2.20			154	88	9.07	3.1	2.40			181	75	7.75			2.9	2.10	201	68	6.96			2.8	2.20	233	58	6.00			2.7	2.60	248	55	5.64			2.7	2.70	289	47	4.85	2.6	3.00	323	42	4.34	2.5	3.30	378	36	3.70	2.4	3.70	249	56	5.63	5.3	1.90	GRX79 GRXF79	4P	262	53	5.35	5.2	1.90			296	47	4.73	5.0	2.60			347	40	4.04	4.8	3.50			378	37	3.70	4.7	4.10			431	32	3.25	4.5	5.50			455	31	3.08	4.4	6.20			519	27	2.70			4.2	7.80	576	24		2.43		4.1	8.70	309	45	4.53			3.4	1.80	GRX69 GRXF69	4P	326	43	4.30	3.3	1.85			371	38	3.77	3.2	2.30			438	32	3.20	3.1	3.10			484	29	2.89	3.0	3.60			551	25	2.54	2.9	4.60			583	24	2.40	2.8	5.00			686	20	2.04			2.7	6.40	753	19	1.86			2.6	6.70	870	16	1.61			2.5	7.00	1000	14	1.40	2.4	7.30	369	38	3.79	2.6	1.80	GRX59 GRXF59	4P	394	35	3.55	2.5	1.90			446	31	3.14	2.4	2.00			481	29	2.91	2.4	2.30			481	29	2.91	2.4	2.30			530	26	2.64	2.3	2.60																																																																																																																																																			
46	293	30.18	5.3	1.45			52	262	26.97	5.1	1.65	53	256	26.31	5.1	1.70	GR59 GRF59	4P	56	243	24.99	5.1	1.75			64	213	21.93	4.9	2.00			75	181	18.60	4.7	2.40			83	163	16.79	4.6	2.60			95	144	14.77	4.5	2.90			100	136	13.95	4.4	3.00	118	115	11.88	4.2	3.40	38	359	36.93	2.3	0.80	GR49 GRF49	4P	40	338	34.73	3.6	0.85			47	290	29.88	4.0	1.00			52	260	26.70	3.9	1.10			61	222	22.81	3.8	1.25	60	226	23.28	3.8	1.25	GR49 GRF49	4P	64	212	21.81	3.8	1.35			73	187	19.27	3.7	1.50			78	174	17.89	3.6	1.60			86	158	16.22	3.6	1.65			96	142	14.56	3.5	1.80			112	122	12.54	3.3	1.95			119	115	11.79	3.3	2.00			138	99	10.15	3.2	2.20			154	88	9.07	3.1	2.40			181	75	7.75	2.9	2.10			201	68	6.96			2.8	2.20	233	58	6.00			2.7	2.60	248	55	5.64			2.7	2.70	289	47	4.85	2.6	3.00	323	42	4.34	2.5	3.30	378	36	3.70	2.4	3.70	249	56	5.63	5.3	1.90	GRX79 GRXF79	4P	262	53	5.35	5.2	1.90			296	47	4.73	5.0	2.60			347	40	4.04	4.8	3.50			378	37	3.70	4.7	4.10			431	32	3.25	4.5	5.50			455	31	3.08	4.4	6.20			519	27	2.70	4.2	7.80			576	24	2.43			4.1	8.70	309	45		4.53		3.4	1.80	GRX69 GRXF69	4P	326	43	4.30	3.3	1.85			371	38	3.77	3.2	2.30			438	32	3.20	3.1	3.10			484	29	2.89	3.0	3.60			551	25	2.54	2.9	4.60			583	24	2.40	2.8	5.00			686	20	2.04	2.7	6.40			753	19	1.86			2.6	6.70	870	16	1.61			2.5	7.00	1000	14	1.40	2.4	7.30	369	38	3.79	2.6	1.80	GRX59 GRXF59	4P	394	35	3.55	2.5	1.90			446	31	3.14	2.4	2.00			481	29	2.91	2.4	2.30			481	29	2.91	2.4	2.30			530	26	2.64	2.3	2.60																																																																																																																																																										
52	262	26.97	5.1	1.65	53	256	26.31	5.1	1.70	GR59 GRF59	4P	56	243	24.99	5.1	1.75			64	213	21.93	4.9	2.00			75	181	18.60	4.7	2.40			83	163	16.79	4.6	2.60			95	144	14.77	4.5	2.90			100	136	13.95	4.4	3.00	118	115	11.88	4.2	3.40	38	359	36.93	2.3	0.80	GR49 GRF49	4P	40	338	34.73	3.6	0.85			47	290	29.88	4.0	1.00			52	260	26.70	3.9	1.10			61	222	22.81	3.8	1.25	60	226	23.28	3.8	1.25	GR49 GRF49	4P	64	212	21.81	3.8	1.35			73	187	19.27	3.7	1.50			78	174	17.89	3.6	1.60			86	158	16.22	3.6	1.65			96	142	14.56	3.5	1.80			112	122	12.54	3.3	1.95			119	115	11.79	3.3	2.00			138	99	10.15	3.2	2.20			154	88	9.07	3.1	2.40			181	75	7.75	2.9	2.10			201	68	6.96	2.8	2.20			233	58	6.00			2.7	2.60	248	55	5.64			2.7	2.70	289	47	4.85	2.6	3.00	323	42	4.34	2.5	3.30	378	36	3.70	2.4	3.70	249	56	5.63	5.3	1.90	GRX79 GRXF79	4P	262	53	5.35	5.2	1.90			296	47	4.73	5.0	2.60			347	40	4.04	4.8	3.50			378	37	3.70	4.7	4.10			431	32	3.25	4.5	5.50			455	31	3.08	4.4	6.20			519	27	2.70	4.2	7.80			576	24	2.43	4.1	8.70			309	45	4.53			3.4	1.80	GRX69 GRXF69	4P	326	43	4.30	3.3	1.85			371	38	3.77	3.2	2.30			438	32	3.20	3.1	3.10			484	29	2.89	3.0	3.60			551	25	2.54	2.9	4.60			583	24	2.40	2.8	5.00			686	20	2.04	2.7	6.40			753	19	1.86	2.6	6.70			870	16	1.61			2.5	7.00	1000	14	1.40	2.4	7.30	369	38	3.79	2.6	1.80	GRX59 GRXF59	4P	394	35	3.55	2.5	1.90			446	31	3.14	2.4	2.00			481	29	2.91	2.4	2.30			481	29	2.91	2.4	2.30			530	26	2.64	2.3	2.60																																																																																																																																																																	
53	256	26.31	5.1	1.70	GR59 GRF59	4P	56	243	24.99			5.1	1.75	64	213	21.93			4.9	2.00	75	181	18.60			4.7	2.40	83	163	16.79			4.6	2.60	95	144	14.77			4.5	2.90	100	136	13.95	4.4	3.00	118	115	11.88	4.2	3.40	38	359	36.93	2.3	0.80	GR49 GRF49	4P	40	338	34.73			3.6	0.85	47	290	29.88			4.0	1.00	52	260	26.70			3.9	1.10	61	222	22.81	3.8	1.25	60	226	23.28	3.8	1.25	GR49 GRF49	4P	64	212	21.81			3.8	1.35	73	187	19.27			3.7	1.50	78	174	17.89			3.6	1.60	86	158	16.22			3.6	1.65	96	142	14.56			3.5	1.80	112	122	12.54			3.3	1.95	119	115	11.79			3.3	2.00	138	99	10.15			3.2	2.20	154	88	9.07			3.1	2.40	181	75	7.75			2.9	2.10	201	68	6.96			2.8	2.20	233	58	6.00			2.7	2.60	248			55	5.64	2.7	2.70	289	47	4.85	2.6	3.00	323	42	4.34	2.5	3.30	378	36	3.70	2.4	3.70	249	56	5.63	5.3	1.90	GRX79 GRXF79	4P	262	53	5.35			5.2	1.90	296	47	4.73			5.0	2.60	347	40	4.04			4.8	3.50	378	37	3.70			4.7	4.10	431	32	3.25			4.5	5.50	455	31	3.08			4.4	6.20	519	27	2.70			4.2	7.80	576	24	2.43			4.1	8.70	309	45	4.53			3.4	1.80	GRX69 GRXF69	4P	326	43	4.30			3.3	1.85	371	38	3.77			3.2	2.30	438	32	3.20			3.1	3.10	484	29	2.89			3.0	3.60	551	25	2.54			2.9	4.60	583	24	2.40			2.8	5.00	686	20	2.04			2.7	6.40	753	19	1.86			2.6	6.70	870	16	1.61			2.5	7.00	1000	14	1.40	2.4	7.30	369	38	3.79	2.6	1.80	GRX59 GRXF59	4P	394	35	3.55			2.5	1.90	446	31	3.14			2.4	2.00	481	29	2.91			2.4	2.30	481	29	2.91			2.4	2.30	530	26	2.64			2.3	2.60																																																																																																																																																																				
56	243	24.99	5.1	1.75			64	213	21.93			4.9	2.00	75	181	18.60			4.7	2.40	83	163	16.79			4.6	2.60	95	144	14.77			4.5	2.90	100	136	13.95	4.4	3.00	118	115	11.88	4.2	3.40	38	359	36.93	2.3	0.80	GR49 GRF49	4P	40	338	34.73	3.6	0.85			47	290	29.88			4.0	1.00	52	260	26.70			3.9	1.10	61	222	22.81	3.8	1.25	60	226	23.28	3.8	1.25	GR49 GRF49	4P	64	212	21.81	3.8	1.35			73	187	19.27			3.7	1.50	78	174	17.89			3.6	1.60	86	158	16.22			3.6	1.65	96	142	14.56			3.5	1.80	112	122	12.54			3.3	1.95	119	115	11.79			3.3	2.00	138	99	10.15			3.2	2.20	154	88	9.07			3.1	2.40	181	75	7.75			2.9	2.10	201	68	6.96			2.8	2.20	233	58	6.00			2.7	2.60	248	55	5.64			2.7	2.70	289	47	4.85	2.6	3.00	323	42	4.34	2.5	3.30	378	36	3.70	2.4	3.70	249	56	5.63	5.3	1.90	GRX79 GRXF79	4P	262	53	5.35	5.2	1.90			296	47	4.73			5.0	2.60	347	40	4.04			4.8	3.50	378	37	3.70			4.7	4.10	431	32	3.25			4.5	5.50	455	31	3.08			4.4	6.20	519	27	2.70			4.2	7.80	576	24	2.43			4.1	8.70	309	45	4.53			3.4	1.80	GRX69 GRXF69	4P	326	43	4.30	3.3	1.85			371	38	3.77			3.2	2.30	438	32	3.20			3.1	3.10	484	29	2.89			3.0	3.60	551	25	2.54			2.9	4.60	583	24	2.40			2.8	5.00	686	20	2.04			2.7	6.40	753	19	1.86			2.6	6.70	870	16	1.61			2.5	7.00	1000	14	1.40	2.4	7.30	369	38	3.79	2.6	1.80	GRX59 GRXF59	4P	394	35	3.55	2.5	1.90			446	31	3.14			2.4	2.00	481	29	2.91			2.4	2.30	481	29	2.91			2.4	2.30	530	26	2.64			2.3	2.60																																																																																																																																																																											
64	213	21.93	4.9	2.00			75	181	18.60			4.7	2.40	83	163	16.79			4.6	2.60	95	144	14.77			4.5	2.90	100	136	13.95	4.4	3.00	118	115	11.88	4.2	3.40	38	359	36.93	2.3	0.80	GR49 GRF49	4P	40	338	34.73	3.6	0.85			47	290	29.88	4.0	1.00			52	260	26.70			3.9	1.10	61	222	22.81	3.8	1.25	60	226	23.28	3.8	1.25	GR49 GRF49	4P	64	212	21.81	3.8	1.35			73	187	19.27	3.7	1.50			78	174	17.89			3.6	1.60	86	158	16.22			3.6	1.65	96	142	14.56			3.5	1.80	112	122	12.54			3.3	1.95	119	115	11.79			3.3	2.00	138	99	10.15			3.2	2.20	154	88	9.07			3.1	2.40	181	75	7.75			2.9	2.10	201	68	6.96			2.8	2.20	233	58	6.00			2.7	2.60	248	55	5.64			2.7	2.70	289	47	4.85	2.6	3.00	323	42	4.34	2.5	3.30	378	36	3.70	2.4	3.70	249	56	5.63	5.3	1.90	GRX79 GRXF79	4P	262	53	5.35	5.2	1.90			296	47	4.73	5.0	2.60			347	40	4.04			4.8	3.50	378	37	3.70			4.7	4.10	431	32	3.25			4.5	5.50	455	31	3.08			4.4	6.20	519	27	2.70			4.2	7.80	576	24	2.43			4.1	8.70	309	45	4.53			3.4	1.80	GRX69 GRXF69	4P	326	43	4.30	3.3	1.85			371	38	3.77	3.2	2.30			438	32	3.20			3.1	3.10	484	29	2.89			3.0	3.60	551	25	2.54			2.9	4.60	583	24	2.40			2.8	5.00	686	20	2.04			2.7	6.40	753	19	1.86			2.6	6.70	870	16	1.61			2.5	7.00	1000	14	1.40	2.4	7.30	369	38	3.79	2.6	1.80	GRX59 GRXF59	4P	394	35	3.55	2.5	1.90			446	31	3.14	2.4	2.00			481	29	2.91			2.4	2.30	481	29	2.91			2.4	2.30	530	26	2.64			2.3	2.60																																																																																																																																																																																		
75	181	18.60	4.7	2.40			83	163	16.79			4.6	2.60	95	144	14.77			4.5	2.90	100	136	13.95	4.4	3.00	118	115	11.88	4.2	3.40	38	359	36.93	2.3	0.80	GR49 GRF49	4P	40	338	34.73	3.6	0.85			47	290	29.88	4.0	1.00			52	260	26.70	3.9	1.10			61	222	22.81	3.8	1.25	60	226	23.28	3.8	1.25	GR49 GRF49	4P	64	212	21.81	3.8	1.35			73	187	19.27	3.7	1.50			78	174	17.89	3.6	1.60			86	158	16.22			3.6	1.65	96	142	14.56			3.5	1.80	112	122	12.54			3.3	1.95	119	115	11.79			3.3	2.00	138	99	10.15			3.2	2.20	154	88	9.07			3.1	2.40	181	75	7.75			2.9	2.10	201	68	6.96			2.8	2.20	233	58	6.00			2.7	2.60	248	55	5.64			2.7	2.70	289	47	4.85	2.6	3.00	323	42	4.34	2.5	3.30	378	36	3.70	2.4	3.70	249	56	5.63	5.3	1.90	GRX79 GRXF79	4P	262	53	5.35	5.2	1.90			296	47	4.73	5.0	2.60			347	40	4.04	4.8	3.50			378	37	3.70			4.7	4.10	431	32	3.25			4.5	5.50	455	31	3.08			4.4	6.20	519	27	2.70			4.2	7.80	576	24	2.43			4.1	8.70	309	45	4.53			3.4	1.80	GRX69 GRXF69	4P	326	43	4.30	3.3	1.85			371	38	3.77	3.2	2.30			438	32	3.20	3.1	3.10			484	29	2.89			3.0	3.60	551	25	2.54			2.9	4.60	583	24	2.40			2.8	5.00	686	20	2.04			2.7	6.40	753	19	1.86			2.6	6.70	870	16	1.61			2.5	7.00	1000	14	1.40	2.4	7.30	369	38	3.79	2.6	1.80	GRX59 GRXF59	4P	394	35	3.55	2.5	1.90			446	31	3.14	2.4	2.00			481	29	2.91	2.4	2.30			481	29	2.91			2.4	2.30	530	26	2.64			2.3	2.60																																																																																																																																																																																									
83	163	16.79	4.6	2.60			95	144	14.77			4.5	2.90	100	136	13.95	4.4	3.00	118	115	11.88	4.2	3.40	38	359	36.93	2.3	0.80	GR49 GRF49	4P	40	338	34.73	3.6	0.85			47	290	29.88	4.0	1.00			52	260	26.70	3.9	1.10			61	222	22.81	3.8	1.25	60	226	23.28	3.8	1.25	GR49 GRF49	4P	64	212	21.81	3.8	1.35			73	187	19.27	3.7	1.50			78	174	17.89	3.6	1.60			86	158	16.22	3.6	1.65			96	142	14.56			3.5	1.80	112	122	12.54			3.3	1.95	119	115	11.79			3.3	2.00	138	99	10.15			3.2	2.20	154	88	9.07			3.1	2.40	181	75	7.75			2.9	2.10	201	68	6.96			2.8	2.20	233	58	6.00			2.7	2.60	248	55	5.64			2.7	2.70	289	47	4.85	2.6	3.00	323	42	4.34	2.5	3.30	378	36	3.70	2.4	3.70	249	56	5.63	5.3	1.90	GRX79 GRXF79	4P	262	53	5.35	5.2	1.90			296	47	4.73	5.0	2.60			347	40	4.04	4.8	3.50			378	37	3.70	4.7	4.10			431	32	3.25			4.5	5.50	455	31	3.08			4.4	6.20	519	27	2.70			4.2	7.80	576	24	2.43			4.1	8.70	309	45	4.53			3.4	1.80	GRX69 GRXF69	4P	326	43	4.30	3.3	1.85			371	38	3.77	3.2	2.30			438	32	3.20	3.1	3.10			484	29	2.89	3.0	3.60			551	25	2.54			2.9	4.60	583	24	2.40			2.8	5.00	686	20	2.04			2.7	6.40	753	19	1.86			2.6	6.70	870	16	1.61			2.5	7.00	1000	14	1.40	2.4	7.30	369	38	3.79	2.6	1.80	GRX59 GRXF59	4P	394	35	3.55	2.5	1.90			446	31	3.14	2.4	2.00			481	29	2.91	2.4	2.30			481	29	2.91	2.4	2.30			530	26	2.64			2.3	2.60																																																																																																																																																																																																
95	144	14.77	4.5	2.90			100	136	13.95	4.4	3.00	118	115	11.88	4.2	3.40	38	359	36.93	2.3	0.80	GR49 GRF49	4P	40	338	34.73	3.6	0.85			47	290	29.88	4.0	1.00			52	260	26.70	3.9	1.10			61	222	22.81	3.8	1.25	60	226	23.28	3.8	1.25	GR49 GRF49	4P	64	212	21.81	3.8	1.35			73	187	19.27	3.7	1.50			78	174	17.89	3.6	1.60			86	158	16.22	3.6	1.65			96	142	14.56	3.5	1.80			112	122	12.54			3.3	1.95	119	115	11.79			3.3	2.00	138	99	10.15			3.2	2.20	154	88	9.07			3.1	2.40	181	75	7.75			2.9	2.10	201	68	6.96			2.8	2.20	233	58	6.00			2.7	2.60	248	55	5.64			2.7	2.70	289	47	4.85	2.6	3.00	323	42	4.34	2.5	3.30	378	36	3.70	2.4	3.70	249	56	5.63	5.3	1.90	GRX79 GRXF79	4P	262	53	5.35	5.2	1.90			296	47	4.73	5.0	2.60			347	40	4.04	4.8	3.50			378	37	3.70	4.7	4.10			431	32	3.25	4.5	5.50			455	31	3.08			4.4	6.20	519	27	2.70			4.2	7.80	576	24	2.43			4.1	8.70	309	45	4.53			3.4	1.80	GRX69 GRXF69	4P	326	43	4.30	3.3	1.85			371	38	3.77	3.2	2.30			438	32	3.20	3.1	3.10			484	29	2.89	3.0	3.60			551	25	2.54	2.9	4.60			583	24	2.40			2.8	5.00	686	20	2.04			2.7	6.40	753	19	1.86			2.6	6.70	870	16	1.61			2.5	7.00	1000	14	1.40	2.4	7.30	369	38	3.79	2.6	1.80	GRX59 GRXF59	4P	394	35	3.55	2.5	1.90			446	31	3.14	2.4	2.00			481	29	2.91	2.4	2.30			481	29	2.91	2.4	2.30			530	26	2.64	2.3	2.60																																																																																																																																																																																																									
100	136	13.95	4.4	3.00	118	115	11.88	4.2	3.40	38	359	36.93	2.3	0.80	GR49 GRF49	4P	40	338	34.73	3.6	0.85			47	290	29.88	4.0	1.00			52	260	26.70	3.9	1.10			61	222	22.81	3.8	1.25	60	226	23.28	3.8	1.25	GR49 GRF49	4P	64	212	21.81	3.8	1.35			73	187	19.27	3.7	1.50			78	174	17.89	3.6	1.60			86	158	16.22	3.6	1.65			96	142	14.56	3.5	1.80			112	122	12.54	3.3	1.95			119	115	11.79			3.3	2.00	138	99	10.15			3.2	2.20	154	88	9.07			3.1	2.40	181	75	7.75			2.9	2.10	201	68	6.96			2.8	2.20	233	58	6.00			2.7	2.60	248	55	5.64			2.7	2.70	289	47	4.85	2.6	3.00	323	42	4.34	2.5	3.30	378	36	3.70	2.4	3.70	249	56	5.63	5.3	1.90	GRX79 GRXF79	4P	262	53	5.35	5.2	1.90			296	47	4.73	5.0	2.60			347	40	4.04	4.8	3.50			378	37	3.70	4.7	4.10			431	32	3.25	4.5	5.50			455	31	3.08	4.4	6.20			519	27	2.70			4.2	7.80	576	24	2.43			4.1	8.70	309	45	4.53			3.4	1.80	GRX69 GRXF69	4P	326	43	4.30	3.3	1.85			371	38	3.77	3.2	2.30			438	32	3.20	3.1	3.10			484	29	2.89	3.0	3.60			551	25	2.54	2.9	4.60			583	24	2.40	2.8	5.00			686	20	2.04			2.7	6.40	753	19	1.86			2.6	6.70	870	16	1.61			2.5	7.00	1000	14	1.40	2.4	7.30	369	38	3.79	2.6	1.80	GRX59 GRXF59	4P	394	35	3.55	2.5	1.90			446	31	3.14	2.4	2.00			481	29	2.91	2.4	2.30			481	29	2.91	2.4	2.30			530	26	2.64	2.3	2.60																																																																																																																																																																																																																
118	115	11.88	4.2	3.40	38	359	36.93	2.3	0.80	GR49 GRF49	4P	40	338	34.73			3.6	0.85	47	290	29.88			4.0	1.00	52	260	26.70			3.9	1.10	61	222	22.81	3.8	1.25	60	226	23.28	3.8	1.25	GR49 GRF49	4P	64	212	21.81			3.8	1.35	73	187	19.27			3.7	1.50	78	174	17.89			3.6	1.60	86	158	16.22			3.6	1.65	96	142	14.56			3.5	1.80	112	122	12.54			3.3	1.95	119	115	11.79			3.3	2.00	138			99	10.15	3.2	2.20	154			88	9.07	3.1	2.40	181			75	7.75	2.9	2.10	201			68	6.96	2.8	2.20	233			58	6.00	2.7	2.60	248			55	5.64	2.7	2.70	289	47	4.85	2.6	3.00	323	42	4.34	2.5	3.30	378	36	3.70	2.4	3.70	249	56	5.63	5.3	1.90	GRX79 GRXF79	4P	262	53	5.35			5.2	1.90	296	47	4.73			5.0	2.60	347	40	4.04			4.8	3.50	378	37	3.70			4.7	4.10	431	32	3.25			4.5	5.50	455	31	3.08			4.4	6.20	519	27	2.70			4.2	7.80	576			24	2.43	4.1	8.70	309			45	4.53	3.4	1.80	GRX69 GRXF69	4P	326	43	4.30			3.3	1.85	371	38	3.77			3.2	2.30	438	32	3.20			3.1	3.10	484	29	2.89			3.0	3.60	551	25	2.54			2.9	4.60	583	24	2.40			2.8	5.00	686	20	2.04			2.7	6.40	753			19	1.86	2.6	6.70	870			16	1.61	2.5	7.00	1000	14	1.40	2.4	7.30	369	38	3.79	2.6	1.80	GRX59 GRXF59	4P	394	35	3.55			2.5	1.90	446	31	3.14			2.4	2.00	481	29	2.91			2.4	2.30	481	29	2.91			2.4	2.30	530	26	2.64			2.3	2.60																																																																																																																																																																																																																			
38	359	36.93	2.3	0.80	GR49 GRF49	4P	40	338	34.73			3.6	0.85	47			290	29.88	4.0	1.00	52			260	26.70	3.9	1.10	61	222	22.81	3.8	1.25	60	226	23.28	3.8	1.25	GR49 GRF49	4P	64	212	21.81			3.8	1.35	73			187	19.27	3.7	1.50	78			174	17.89	3.6	1.60	86			158	16.22	3.6	1.65	96			142	14.56	3.5	1.80	112			122	12.54	3.3	1.95	119			115	11.79	3.3	2.00	138			99	10.15	3.2			2.20	154	88	9.07	3.1			2.40	181	75	7.75	2.9			2.10	201	68	6.96	2.8			2.20	233	58	6.00	2.7			2.60	248	55	5.64	2.7	2.70	289	47	4.85	2.6	3.00	323	42	4.34	2.5	3.30	378	36	3.70	2.4	3.70	249	56	5.63	5.3	1.90	GRX79 GRXF79	4P	262	53	5.35			5.2	1.90	296			47	4.73	5.0	2.60	347			40	4.04	4.8	3.50	378			37	3.70	4.7	4.10	431			32	3.25	4.5	5.50	455			31	3.08	4.4	6.20	519			27	2.70	4.2	7.80	576			24	2.43	4.1			8.70	309	45	4.53	3.4	1.80	GRX69 GRXF69	4P	326	43	4.30			3.3	1.85	371			38	3.77	3.2	2.30	438			32	3.20	3.1	3.10	484			29	2.89	3.0	3.60	551			25	2.54	2.9	4.60	583			24	2.40	2.8	5.00	686			20	2.04	2.7	6.40	753			19	1.86	2.6			6.70	870	16	1.61	2.5	7.00	1000	14	1.40	2.4	7.30	369	38	3.79	2.6	1.80	GRX59 GRXF59	4P	394	35	3.55			2.5	1.90	446			31	3.14	2.4	2.00	481			29	2.91	2.4	2.30	481			29	2.91	2.4	2.30	530			26	2.64	2.3	2.60																																																																																																																																																																																																																								
40	338	34.73	3.6	0.85			47	290	29.88			4.0	1.00	52			260	26.70	3.9	1.10	61	222	22.81	3.8	1.25	60	226	23.28	3.8	1.25	GR49 GRF49	4P	64	212	21.81	3.8	1.35			73	187	19.27			3.7	1.50	78			174	17.89	3.6	1.60	86			158	16.22	3.6	1.65	96			142	14.56	3.5	1.80	112			122	12.54	3.3	1.95	119			115	11.79	3.3	2.00	138			99	10.15	3.2	2.20	154			88	9.07	3.1			2.40	181	75	7.75	2.9			2.10	201	68	6.96	2.8			2.20	233	58	6.00	2.7			2.60	248	55	5.64	2.7	2.70	289	47	4.85	2.6	3.00	323	42	4.34	2.5	3.30	378	36	3.70	2.4	3.70	249	56	5.63	5.3	1.90	GRX79 GRXF79	4P	262	53	5.35	5.2	1.90			296	47	4.73			5.0	2.60	347			40	4.04	4.8	3.50	378			37	3.70	4.7	4.10	431			32	3.25	4.5	5.50	455			31	3.08	4.4	6.20	519			27	2.70	4.2	7.80	576			24	2.43	4.1	8.70	309			45	4.53	3.4	1.80	GRX69 GRXF69	4P	326	43	4.30	3.3	1.85			371	38	3.77			3.2	2.30	438			32	3.20	3.1	3.10	484			29	2.89	3.0	3.60	551			25	2.54	2.9	4.60	583			24	2.40	2.8	5.00	686			20	2.04	2.7	6.40	753			19	1.86	2.6	6.70	870			16	1.61	2.5	7.00	1000	14	1.40	2.4	7.30	369	38	3.79	2.6	1.80	GRX59 GRXF59	4P	394	35	3.55	2.5	1.90			446	31	3.14			2.4	2.00	481			29	2.91	2.4	2.30	481			29	2.91	2.4	2.30	530			26	2.64	2.3	2.60																																																																																																																																																																																																																															
47	290	29.88	4.0	1.00			52	260	26.70			3.9	1.10	61	222	22.81	3.8	1.25	60	226	23.28	3.8	1.25	GR49 GRF49	4P	64	212	21.81	3.8	1.35			73	187	19.27	3.7	1.50			78	174	17.89			3.6	1.60	86			158	16.22	3.6	1.65	96			142	14.56	3.5	1.80	112			122	12.54	3.3	1.95	119			115	11.79	3.3	2.00	138			99	10.15	3.2	2.20	154			88	9.07	3.1	2.40	181			75	7.75	2.9			2.10	201	68	6.96	2.8			2.20	233	58	6.00	2.7			2.60	248	55	5.64	2.7	2.70	289	47	4.85	2.6	3.00	323	42	4.34	2.5	3.30	378	36	3.70	2.4	3.70	249	56	5.63	5.3	1.90	GRX79 GRXF79	4P	262	53	5.35	5.2	1.90			296	47	4.73	5.0	2.60			347	40	4.04			4.8	3.50	378			37	3.70	4.7	4.10	431			32	3.25	4.5	5.50	455			31	3.08	4.4	6.20	519			27	2.70	4.2	7.80	576			24	2.43	4.1	8.70	309			45	4.53	3.4	1.80	GRX69 GRXF69	4P	326	43	4.30	3.3	1.85			371	38	3.77	3.2	2.30			438	32	3.20			3.1	3.10	484			29	2.89	3.0	3.60	551			25	2.54	2.9	4.60	583			24	2.40	2.8	5.00	686			20	2.04	2.7	6.40	753			19	1.86	2.6	6.70	870			16	1.61	2.5	7.00	1000	14	1.40	2.4	7.30	369	38	3.79	2.6	1.80	GRX59 GRXF59	4P	394	35	3.55	2.5	1.90			446	31	3.14	2.4	2.00			481	29	2.91			2.4	2.30	481			29	2.91	2.4	2.30	530			26	2.64	2.3	2.60																																																																																																																																																																																																																																						
52	260	26.70	3.9	1.10			61	222	22.81	3.8	1.25	60	226	23.28	3.8	1.25	GR49 GRF49	4P	64	212	21.81	3.8	1.35			73	187	19.27	3.7	1.50			78	174	17.89	3.6	1.60			86	158	16.22			3.6	1.65	96			142	14.56	3.5	1.80	112			122	12.54	3.3	1.95	119			115	11.79	3.3	2.00	138			99	10.15	3.2	2.20	154			88	9.07	3.1	2.40	181			75	7.75	2.9	2.10	201			68	6.96	2.8			2.20	233	58	6.00	2.7			2.60	248	55	5.64	2.7	2.70	289	47	4.85	2.6	3.00	323	42	4.34	2.5	3.30	378	36	3.70	2.4	3.70	249	56	5.63	5.3	1.90	GRX79 GRXF79	4P	262	53	5.35	5.2	1.90			296	47	4.73	5.0	2.60			347	40	4.04	4.8	3.50			378	37	3.70			4.7	4.10	431			32	3.25	4.5	5.50	455			31	3.08	4.4	6.20	519			27	2.70	4.2	7.80	576			24	2.43	4.1	8.70	309			45	4.53	3.4	1.80	GRX69 GRXF69	4P	326	43	4.30	3.3	1.85			371	38	3.77	3.2	2.30			438	32	3.20	3.1	3.10			484	29	2.89			3.0	3.60	551			25	2.54	2.9	4.60	583			24	2.40	2.8	5.00	686			20	2.04	2.7	6.40	753			19	1.86	2.6	6.70	870			16	1.61	2.5	7.00	1000	14	1.40	2.4	7.30	369	38	3.79	2.6	1.80	GRX59 GRXF59	4P	394	35	3.55	2.5	1.90			446	31	3.14	2.4	2.00			481	29	2.91	2.4	2.30			481	29	2.91			2.4	2.30	530			26	2.64	2.3	2.60																																																																																																																																																																																																																																													
61	222	22.81	3.8	1.25	60	226	23.28	3.8	1.25	GR49 GRF49	4P	64	212	21.81	3.8	1.35			73	187	19.27	3.7	1.50			78	174	17.89	3.6	1.60			86	158	16.22	3.6	1.65			96	142	14.56			3.5	1.80	112			122	12.54	3.3	1.95	119			115	11.79	3.3	2.00	138			99	10.15	3.2	2.20	154			88	9.07	3.1	2.40	181			75	7.75	2.9	2.10	201			68	6.96	2.8	2.20	233			58	6.00	2.7			2.60	248	55	5.64	2.7	2.70	289	47	4.85	2.6	3.00	323	42	4.34	2.5	3.30	378	36	3.70	2.4	3.70	249	56	5.63	5.3	1.90	GRX79 GRXF79	4P	262	53	5.35	5.2	1.90			296	47	4.73	5.0	2.60			347	40	4.04	4.8	3.50			378	37	3.70	4.7	4.10			431	32	3.25			4.5	5.50	455			31	3.08	4.4	6.20	519			27	2.70	4.2	7.80	576			24	2.43	4.1	8.70	309			45	4.53	3.4	1.80	GRX69 GRXF69	4P	326	43	4.30	3.3	1.85			371	38	3.77	3.2	2.30			438	32	3.20	3.1	3.10			484	29	2.89	3.0	3.60			551	25	2.54			2.9	4.60	583			24	2.40	2.8	5.00	686			20	2.04	2.7	6.40	753			19	1.86	2.6	6.70	870			16	1.61	2.5	7.00	1000	14	1.40	2.4	7.30	369	38	3.79	2.6	1.80	GRX59 GRXF59	4P	394	35	3.55	2.5	1.90			446	31	3.14	2.4	2.00			481	29	2.91	2.4	2.30			481	29	2.91	2.4	2.30			530	26	2.64			2.3	2.60																																																																																																																																																																																																																																																				
60	226	23.28	3.8	1.25	GR49 GRF49	4P	64	212	21.81			3.8	1.35	73	187	19.27			3.7	1.50	78	174	17.89			3.6	1.60	86	158	16.22			3.6	1.65	96	142	14.56			3.5	1.80	112			122	12.54	3.3			1.95	119	115	11.79	3.3			2.00	138	99	10.15	3.2			2.20	154	88	9.07	3.1			2.40	181	75	7.75	2.9			2.10	201	68	6.96	2.8			2.20	233	58	6.00	2.7			2.60	248	55	5.64	2.7	2.70	289	47	4.85	2.6	3.00	323	42	4.34	2.5	3.30	378	36	3.70	2.4	3.70	249	56	5.63	5.3	1.90	GRX79 GRXF79	4P	262	53	5.35			5.2	1.90	296	47	4.73			5.0	2.60	347	40	4.04			4.8	3.50	378	37	3.70			4.7	4.10	431	32	3.25			4.5	5.50	455			31	3.08	4.4			6.20	519	27	2.70	4.2			7.80	576	24	2.43	4.1			8.70	309	45	4.53	3.4	1.80	GRX69 GRXF69	4P	326	43	4.30			3.3	1.85	371	38	3.77			3.2	2.30	438	32	3.20			3.1	3.10	484	29	2.89			3.0	3.60	551	25	2.54			2.9	4.60	583			24	2.40	2.8			5.00	686	20	2.04	2.7			6.40	753	19	1.86	2.6			6.70	870	16	1.61	2.5	7.00	1000	14	1.40	2.4	7.30	369	38	3.79	2.6	1.80	GRX59 GRXF59	4P	394	35	3.55			2.5	1.90	446	31	3.14			2.4	2.00	481	29	2.91			2.4	2.30	481	29	2.91			2.4	2.30	530	26	2.64			2.3	2.60																																																																																																																																																																																																																																																									
64	212	21.81	3.8	1.35			73	187	19.27			3.7	1.50	78	174	17.89			3.6	1.60	86	158	16.22			3.6	1.65	96	142	14.56			3.5	1.80	112	122	12.54			3.3	1.95	119			115	11.79	3.3			2.00	138	99	10.15	3.2			2.20	154	88	9.07	3.1			2.40	181	75	7.75	2.9			2.10	201	68	6.96	2.8			2.20	233	58	6.00	2.7			2.60	248	55	5.64	2.7	2.70	289	47	4.85	2.6	3.00	323	42	4.34	2.5	3.30	378	36	3.70	2.4	3.70	249	56	5.63	5.3	1.90	GRX79 GRXF79	4P	262	53	5.35	5.2	1.90			296	47	4.73			5.0	2.60	347	40	4.04			4.8	3.50	378	37	3.70			4.7	4.10	431	32	3.25			4.5	5.50	455	31	3.08			4.4	6.20	519			27	2.70	4.2			7.80	576	24	2.43	4.1			8.70	309	45	4.53	3.4	1.80	GRX69 GRXF69	4P	326	43	4.30	3.3	1.85			371	38	3.77			3.2	2.30	438	32	3.20			3.1	3.10	484	29	2.89			3.0	3.60	551	25	2.54			2.9	4.60	583	24	2.40			2.8	5.00	686			20	2.04	2.7			6.40	753	19	1.86	2.6			6.70	870	16	1.61	2.5	7.00	1000	14	1.40	2.4	7.30	369	38	3.79	2.6	1.80	GRX59 GRXF59	4P	394	35	3.55	2.5	1.90			446	31	3.14			2.4	2.00	481	29	2.91			2.4	2.30	481	29	2.91			2.4	2.30	530	26	2.64			2.3	2.60																																																																																																																																																																																																																																																																
73	187	19.27	3.7	1.50			78	174	17.89			3.6	1.60	86	158	16.22			3.6	1.65	96	142	14.56			3.5	1.80	112	122	12.54			3.3	1.95	119	115	11.79			3.3	2.00	138			99	10.15	3.2			2.20	154	88	9.07	3.1			2.40	181	75	7.75	2.9			2.10	201	68	6.96	2.8			2.20	233	58	6.00	2.7			2.60	248	55	5.64	2.7	2.70	289	47	4.85	2.6	3.00	323	42	4.34	2.5	3.30	378	36	3.70	2.4	3.70	249	56	5.63	5.3	1.90	GRX79 GRXF79	4P	262	53	5.35	5.2	1.90			296	47	4.73	5.0	2.60			347	40	4.04			4.8	3.50	378	37	3.70			4.7	4.10	431	32	3.25			4.5	5.50	455	31	3.08			4.4	6.20	519	27	2.70			4.2	7.80	576			24	2.43	4.1			8.70	309	45	4.53	3.4	1.80	GRX69 GRXF69	4P	326	43	4.30	3.3	1.85			371	38	3.77	3.2	2.30			438	32	3.20			3.1	3.10	484	29	2.89			3.0	3.60	551	25	2.54			2.9	4.60	583	24	2.40			2.8	5.00	686	20	2.04			2.7	6.40	753			19	1.86	2.6			6.70	870	16	1.61	2.5	7.00	1000	14	1.40	2.4	7.30	369	38	3.79	2.6	1.80	GRX59 GRXF59	4P	394	35	3.55	2.5	1.90			446	31	3.14	2.4	2.00			481	29	2.91			2.4	2.30	481	29	2.91			2.4	2.30	530	26	2.64			2.3	2.60																																																																																																																																																																																																																																																																							
78	174	17.89	3.6	1.60			86	158	16.22			3.6	1.65	96	142	14.56			3.5	1.80	112	122	12.54			3.3	1.95	119	115	11.79			3.3	2.00	138	99	10.15			3.2	2.20	154			88	9.07	3.1			2.40	181	75	7.75	2.9			2.10	201	68	6.96	2.8			2.20	233	58	6.00	2.7			2.60	248	55	5.64	2.7	2.70	289	47	4.85	2.6	3.00	323	42	4.34	2.5	3.30	378	36	3.70	2.4	3.70	249	56	5.63	5.3	1.90	GRX79 GRXF79	4P	262	53	5.35	5.2	1.90			296	47	4.73	5.0	2.60			347	40	4.04	4.8	3.50			378	37	3.70			4.7	4.10	431	32	3.25			4.5	5.50	455	31	3.08			4.4	6.20	519	27	2.70			4.2	7.80	576	24	2.43			4.1	8.70	309			45	4.53	3.4	1.80	GRX69 GRXF69	4P	326	43	4.30	3.3	1.85			371	38	3.77	3.2	2.30			438	32	3.20	3.1	3.10			484	29	2.89			3.0	3.60	551	25	2.54			2.9	4.60	583	24	2.40			2.8	5.00	686	20	2.04			2.7	6.40	753	19	1.86			2.6	6.70	870			16	1.61	2.5	7.00	1000	14	1.40	2.4	7.30	369	38	3.79	2.6	1.80	GRX59 GRXF59	4P	394	35	3.55	2.5	1.90			446	31	3.14	2.4	2.00			481	29	2.91	2.4	2.30			481	29	2.91			2.4	2.30	530	26	2.64			2.3	2.60																																																																																																																																																																																																																																																																														
86	158	16.22	3.6	1.65			96	142	14.56			3.5	1.80	112	122	12.54			3.3	1.95	119	115	11.79			3.3	2.00	138	99	10.15			3.2	2.20	154	88	9.07			3.1	2.40	181			75	7.75	2.9			2.10	201	68	6.96	2.8			2.20	233	58	6.00	2.7			2.60	248	55	5.64	2.7	2.70	289	47	4.85	2.6	3.00	323	42	4.34	2.5	3.30	378	36	3.70	2.4	3.70	249	56	5.63	5.3	1.90	GRX79 GRXF79	4P	262	53	5.35	5.2	1.90			296	47	4.73	5.0	2.60			347	40	4.04	4.8	3.50			378	37	3.70	4.7	4.10			431	32	3.25			4.5	5.50	455	31	3.08			4.4	6.20	519	27	2.70			4.2	7.80	576	24	2.43			4.1	8.70	309	45	4.53			3.4	1.80	GRX69 GRXF69	4P	326	43	4.30	3.3	1.85			371	38	3.77	3.2	2.30			438	32	3.20	3.1	3.10			484	29	2.89	3.0	3.60			551	25	2.54			2.9	4.60	583	24	2.40			2.8	5.00	686	20	2.04			2.7	6.40	753	19	1.86			2.6	6.70	870	16	1.61			2.5	7.00	1000	14	1.40	2.4	7.30	369	38	3.79	2.6	1.80	GRX59 GRXF59	4P	394	35	3.55	2.5	1.90			446	31	3.14	2.4	2.00			481	29	2.91	2.4	2.30			481	29	2.91	2.4	2.30			530	26	2.64			2.3	2.60																																																																																																																																																																																																																																																																																					
96	142	14.56	3.5	1.80			112	122	12.54			3.3	1.95	119	115	11.79			3.3	2.00	138	99	10.15			3.2	2.20	154	88	9.07			3.1	2.40	181	75	7.75			2.9	2.10	201			68	6.96	2.8			2.20	233	58	6.00	2.7			2.60	248	55	5.64	2.7	2.70	289	47	4.85	2.6	3.00	323	42	4.34	2.5	3.30	378	36	3.70	2.4	3.70	249	56	5.63	5.3	1.90	GRX79 GRXF79	4P	262	53	5.35	5.2	1.90			296	47	4.73	5.0	2.60			347	40	4.04	4.8	3.50			378	37	3.70	4.7	4.10			431	32	3.25	4.5	5.50			455	31	3.08			4.4	6.20	519	27	2.70			4.2	7.80	576	24	2.43			4.1	8.70	309	45	4.53			3.4	1.80	GRX69 GRXF69	4P	326	43	4.30	3.3	1.85			371	38	3.77	3.2	2.30			438	32	3.20	3.1	3.10			484	29	2.89	3.0	3.60			551	25	2.54	2.9	4.60			583	24	2.40			2.8	5.00	686	20	2.04			2.7	6.40	753	19	1.86			2.6	6.70	870	16	1.61			2.5	7.00	1000	14	1.40	2.4	7.30	369	38	3.79	2.6	1.80	GRX59 GRXF59	4P	394	35	3.55	2.5	1.90			446	31	3.14	2.4	2.00			481	29	2.91	2.4	2.30			481	29	2.91	2.4	2.30			530	26	2.64	2.3	2.60																																																																																																																																																																																																																																																																																														
112	122	12.54	3.3	1.95			119	115	11.79			3.3	2.00	138	99	10.15			3.2	2.20	154	88	9.07			3.1	2.40	181	75	7.75			2.9	2.10	201	68	6.96			2.8	2.20	233			58	6.00	2.7			2.60	248	55	5.64	2.7	2.70	289	47	4.85	2.6	3.00	323	42	4.34	2.5	3.30	378	36	3.70	2.4	3.70	249	56	5.63	5.3	1.90	GRX79 GRXF79	4P	262	53	5.35	5.2	1.90			296	47	4.73	5.0	2.60			347	40	4.04	4.8	3.50			378	37	3.70	4.7	4.10			431	32	3.25	4.5	5.50			455	31	3.08	4.4	6.20			519	27	2.70			4.2	7.80	576	24	2.43			4.1	8.70	309	45	4.53			3.4	1.80	GRX69 GRXF69	4P	326	43	4.30	3.3	1.85			371	38	3.77	3.2	2.30			438	32	3.20	3.1	3.10			484	29	2.89	3.0	3.60			551	25	2.54	2.9	4.60			583	24	2.40	2.8	5.00			686	20	2.04			2.7	6.40	753	19	1.86			2.6	6.70	870	16	1.61			2.5	7.00	1000	14	1.40	2.4	7.30	369	38	3.79	2.6	1.80	GRX59 GRXF59	4P	394	35	3.55	2.5	1.90			446	31	3.14	2.4	2.00			481	29	2.91	2.4	2.30			481	29	2.91	2.4	2.30			530	26	2.64	2.3	2.60																																																																																																																																																																																																																																																																																																					
119	115	11.79	3.3	2.00			138	99	10.15			3.2	2.20	154	88	9.07			3.1	2.40	181	75	7.75			2.9	2.10	201	68	6.96			2.8	2.20	233	58	6.00			2.7	2.60	248			55	5.64	2.7	2.70	289	47	4.85	2.6	3.00	323	42	4.34	2.5	3.30	378	36	3.70	2.4	3.70	249	56	5.63	5.3	1.90	GRX79 GRXF79	4P	262	53	5.35	5.2	1.90			296	47	4.73	5.0	2.60			347	40	4.04	4.8	3.50			378	37	3.70	4.7	4.10			431	32	3.25	4.5	5.50			455	31	3.08	4.4	6.20			519	27	2.70	4.2	7.80			576	24	2.43			4.1	8.70	309	45	4.53			3.4	1.80	GRX69 GRXF69	4P	326	43	4.30	3.3	1.85			371	38	3.77	3.2	2.30			438	32	3.20	3.1	3.10			484	29	2.89	3.0	3.60			551	25	2.54	2.9	4.60			583	24	2.40	2.8	5.00			686	20	2.04	2.7	6.40			753	19	1.86			2.6	6.70	870	16	1.61			2.5	7.00	1000	14	1.40	2.4	7.30	369	38	3.79	2.6	1.80	GRX59 GRXF59	4P	394	35	3.55	2.5	1.90			446	31	3.14	2.4	2.00			481	29	2.91	2.4	2.30			481	29	2.91	2.4	2.30			530	26	2.64	2.3	2.60																																																																																																																																																																																																																																																																																																												
138	99	10.15	3.2	2.20			154	88	9.07			3.1	2.40	181	75	7.75			2.9	2.10	201	68	6.96			2.8	2.20	233	58	6.00			2.7	2.60	248	55	5.64			2.7	2.70	289	47	4.85	2.6	3.00	323	42	4.34	2.5	3.30	378	36	3.70	2.4	3.70	249	56	5.63	5.3	1.90	GRX79 GRXF79	4P	262	53	5.35	5.2	1.90			296	47	4.73	5.0	2.60			347	40	4.04	4.8	3.50			378	37	3.70	4.7	4.10			431	32	3.25	4.5	5.50			455	31	3.08	4.4	6.20			519	27	2.70	4.2	7.80			576	24	2.43	4.1	8.70			309	45	4.53			3.4	1.80	GRX69 GRXF69	4P	326	43	4.30	3.3	1.85			371	38	3.77	3.2	2.30			438	32	3.20	3.1	3.10			484	29	2.89	3.0	3.60			551	25	2.54	2.9	4.60			583	24	2.40	2.8	5.00			686	20	2.04	2.7	6.40			753	19	1.86	2.6	6.70			870	16	1.61			2.5	7.00	1000	14	1.40	2.4	7.30	369	38	3.79	2.6	1.80	GRX59 GRXF59	4P	394	35	3.55	2.5	1.90			446	31	3.14	2.4	2.00			481	29	2.91	2.4	2.30			481	29	2.91	2.4	2.30			530	26	2.64	2.3	2.60																																																																																																																																																																																																																																																																																																																			
154	88	9.07	3.1	2.40			181	75	7.75			2.9	2.10	201	68	6.96			2.8	2.20	233	58	6.00			2.7	2.60	248	55	5.64			2.7	2.70	289	47	4.85	2.6	3.00	323	42	4.34	2.5	3.30	378	36	3.70	2.4	3.70	249	56	5.63	5.3	1.90	GRX79 GRXF79	4P	262	53	5.35	5.2	1.90			296	47	4.73	5.0	2.60			347	40	4.04	4.8	3.50			378	37	3.70	4.7	4.10			431	32	3.25	4.5	5.50			455	31	3.08	4.4	6.20			519	27	2.70	4.2	7.80			576	24	2.43	4.1	8.70			309	45	4.53	3.4	1.80			GRX69 GRXF69	4P	326	43	4.30	3.3	1.85			371	38	3.77	3.2	2.30			438	32	3.20	3.1	3.10			484	29	2.89	3.0	3.60			551	25	2.54	2.9	4.60			583	24	2.40	2.8	5.00			686	20	2.04	2.7	6.40			753	19	1.86	2.6	6.70			870	16	1.61	2.5	7.00			1000	14	1.40	2.4	7.30	369	38	3.79	2.6	1.80	GRX59 GRXF59	4P	394	35	3.55	2.5	1.90			446	31	3.14	2.4	2.00			481	29	2.91	2.4	2.30			481	29	2.91	2.4	2.30			530	26	2.64	2.3	2.60																																																																																																																																																																																																																																																																																																																										
181	75	7.75	2.9	2.10			201	68	6.96			2.8	2.20	233	58	6.00			2.7	2.60	248	55	5.64			2.7	2.70	289	47	4.85	2.6	3.00	323	42	4.34	2.5	3.30	378	36	3.70	2.4	3.70	249	56	5.63	5.3	1.90	GRX79 GRXF79	4P	262	53	5.35	5.2	1.90			296	47	4.73	5.0	2.60			347	40	4.04	4.8	3.50			378	37	3.70	4.7	4.10			431	32	3.25	4.5	5.50			455	31	3.08	4.4	6.20			519	27	2.70	4.2	7.80			576	24	2.43	4.1	8.70			309	45	4.53	3.4	1.80			GRX69 GRXF69	4P	326	43	4.30	3.3	1.85			371	38	3.77	3.2	2.30			438	32	3.20	3.1	3.10			484	29	2.89	3.0	3.60			551	25	2.54	2.9	4.60			583	24	2.40	2.8	5.00			686	20	2.04	2.7	6.40			753	19	1.86	2.6	6.70			870	16	1.61	2.5	7.00			1000	14	1.40	2.4	7.30	369	38	3.79	2.6	1.80	GRX59 GRXF59	4P	394	35	3.55	2.5	1.90			446	31	3.14	2.4	2.00			481	29	2.91	2.4	2.30			481	29	2.91	2.4	2.30			530	26	2.64	2.3	2.60																																																																																																																																																																																																																																																																																																																																	
201	68	6.96	2.8	2.20			233	58	6.00			2.7	2.60	248	55	5.64			2.7	2.70	289	47	4.85	2.6	3.00	323	42	4.34	2.5	3.30	378	36	3.70	2.4	3.70	249	56	5.63	5.3	1.90	GRX79 GRXF79	4P	262	53	5.35	5.2	1.90			296	47	4.73	5.0	2.60			347	40	4.04	4.8	3.50			378	37	3.70	4.7	4.10			431	32	3.25	4.5	5.50			455	31	3.08	4.4	6.20			519	27	2.70	4.2	7.80			576	24	2.43	4.1	8.70			309	45	4.53	3.4	1.80			GRX69 GRXF69	4P	326	43	4.30	3.3	1.85			371	38	3.77	3.2	2.30			438	32	3.20	3.1	3.10			484	29	2.89	3.0	3.60			551	25	2.54	2.9	4.60			583	24	2.40	2.8	5.00			686	20	2.04	2.7	6.40			753	19	1.86	2.6	6.70			870	16	1.61	2.5	7.00			1000	14	1.40	2.4	7.30	369	38	3.79	2.6	1.80	GRX59 GRXF59	4P	394	35	3.55	2.5	1.90			446	31	3.14	2.4	2.00			481	29	2.91	2.4	2.30			481	29	2.91	2.4	2.30			530	26	2.64	2.3	2.60																																																																																																																																																																																																																																																																																																																																								
233	58	6.00	2.7	2.60			248	55	5.64			2.7	2.70	289	47	4.85	2.6	3.00	323	42	4.34	2.5	3.30	378	36	3.70	2.4	3.70	249	56	5.63	5.3	1.90	GRX79 GRXF79	4P	262	53	5.35	5.2	1.90			296	47	4.73	5.0	2.60			347	40	4.04	4.8	3.50			378	37	3.70	4.7	4.10			431	32	3.25	4.5	5.50			455	31	3.08	4.4	6.20			519	27	2.70	4.2	7.80			576	24	2.43	4.1	8.70			309	45	4.53	3.4	1.80			GRX69 GRXF69	4P	326	43	4.30	3.3	1.85			371	38	3.77	3.2	2.30			438	32	3.20	3.1	3.10			484	29	2.89	3.0	3.60			551	25	2.54	2.9	4.60			583	24	2.40	2.8	5.00			686	20	2.04	2.7	6.40			753	19	1.86	2.6	6.70			870	16	1.61	2.5	7.00			1000	14	1.40	2.4	7.30	369	38	3.79	2.6	1.80	GRX59 GRXF59	4P	394	35	3.55	2.5	1.90			446	31	3.14	2.4	2.00			481	29	2.91	2.4	2.30			481	29	2.91	2.4	2.30			530	26	2.64	2.3	2.60																																																																																																																																																																																																																																																																																																																																															
248	55	5.64	2.7	2.70			289	47	4.85	2.6	3.00	323	42	4.34	2.5	3.30	378	36	3.70	2.4	3.70	249	56	5.63	5.3	1.90	GRX79 GRXF79	4P	262	53	5.35	5.2	1.90			296	47	4.73	5.0	2.60			347	40	4.04	4.8	3.50			378	37	3.70	4.7	4.10			431	32	3.25	4.5	5.50			455	31	3.08	4.4	6.20			519	27	2.70	4.2	7.80			576	24	2.43	4.1	8.70			309	45	4.53	3.4	1.80			GRX69 GRXF69	4P	326	43	4.30	3.3	1.85			371	38	3.77	3.2	2.30			438	32	3.20	3.1	3.10			484	29	2.89	3.0	3.60			551	25	2.54	2.9	4.60			583	24	2.40	2.8	5.00			686	20	2.04	2.7	6.40			753	19	1.86	2.6	6.70			870	16	1.61	2.5	7.00			1000	14	1.40	2.4	7.30	369	38	3.79	2.6	1.80	GRX59 GRXF59	4P	394	35	3.55	2.5	1.90			446	31	3.14	2.4	2.00			481	29	2.91	2.4	2.30			481	29	2.91	2.4	2.30			530	26	2.64	2.3	2.60																																																																																																																																																																																																																																																																																																																																																						
289	47	4.85	2.6	3.00	323	42	4.34	2.5	3.30	378	36	3.70	2.4	3.70	249	56	5.63	5.3	1.90	GRX79 GRXF79	4P	262	53	5.35	5.2	1.90			296	47	4.73	5.0	2.60			347	40	4.04	4.8	3.50			378	37	3.70	4.7	4.10			431	32	3.25	4.5	5.50			455	31	3.08	4.4	6.20			519	27	2.70	4.2	7.80			576	24	2.43	4.1	8.70			309	45	4.53	3.4	1.80			GRX69 GRXF69	4P	326	43	4.30	3.3	1.85			371	38	3.77	3.2	2.30			438	32	3.20	3.1	3.10			484	29	2.89	3.0	3.60			551	25	2.54	2.9	4.60			583	24	2.40	2.8	5.00			686	20	2.04	2.7	6.40			753	19	1.86	2.6	6.70			870	16	1.61	2.5	7.00			1000	14	1.40	2.4	7.30	369	38	3.79	2.6	1.80	GRX59 GRXF59	4P	394	35	3.55	2.5	1.90			446	31	3.14	2.4	2.00			481	29	2.91	2.4	2.30			481	29	2.91	2.4	2.30			530	26	2.64	2.3	2.60																																																																																																																																																																																																																																																																																																																																																													
323	42	4.34	2.5	3.30	378	36	3.70	2.4	3.70	249	56	5.63	5.3	1.90	GRX79 GRXF79	4P	262	53	5.35			5.2	1.90	296	47	4.73			5.0	2.60	347	40	4.04			4.8	3.50	378	37	3.70			4.7	4.10	431	32	3.25			4.5	5.50	455	31	3.08			4.4	6.20	519	27	2.70			4.2	7.80	576	24	2.43			4.1	8.70	309	45	4.53			3.4	1.80	GRX69 GRXF69	4P	326	43	4.30			3.3	1.85	371	38	3.77			3.2	2.30	438	32	3.20			3.1	3.10	484	29	2.89			3.0	3.60	551	25	2.54			2.9	4.60	583	24	2.40			2.8	5.00	686	20	2.04			2.7	6.40	753	19	1.86			2.6	6.70	870	16	1.61			2.5	7.00	1000	14	1.40	2.4	7.30	369	38	3.79	2.6	1.80	GRX59 GRXF59	4P	394	35	3.55			2.5	1.90	446	31	3.14			2.4	2.00	481	29	2.91			2.4	2.30	481	29	2.91			2.4	2.30	530	26	2.64			2.3	2.60																																																																																																																																																																																																																																																																																																																																																																
378	36	3.70	2.4	3.70	249	56	5.63	5.3	1.90	GRX79 GRXF79	4P	262	53	5.35			5.2	1.90	296			47	4.73	5.0	2.60	347			40	4.04	4.8	3.50	378			37	3.70	4.7	4.10	431			32	3.25	4.5	5.50	455			31	3.08	4.4	6.20	519			27	2.70	4.2	7.80	576			24	2.43	4.1	8.70	309			45	4.53	3.4	1.80	GRX69 GRXF69	4P	326	43	4.30			3.3	1.85	371			38	3.77	3.2	2.30	438			32	3.20	3.1	3.10	484			29	2.89	3.0	3.60	551			25	2.54	2.9	4.60	583			24	2.40	2.8	5.00	686			20	2.04	2.7	6.40	753			19	1.86	2.6	6.70	870			16	1.61	2.5	7.00	1000	14	1.40	2.4	7.30	369	38	3.79	2.6	1.80	GRX59 GRXF59	4P	394	35	3.55			2.5	1.90	446			31	3.14	2.4	2.00	481			29	2.91	2.4	2.30	481			29	2.91	2.4	2.30	530			26	2.64	2.3	2.60																																																																																																																																																																																																																																																																																																																																																																					
249	56	5.63	5.3	1.90	GRX79 GRXF79	4P	262	53	5.35			5.2	1.90	296			47	4.73	5.0			2.60	347	40	4.04	4.8			3.50	378	37	3.70	4.7			4.10	431	32	3.25	4.5			5.50	455	31	3.08	4.4			6.20	519	27	2.70	4.2			7.80	576	24	2.43	4.1			8.70	309	45	4.53	3.4	1.80	GRX69 GRXF69	4P	326	43	4.30			3.3	1.85	371			38	3.77	3.2			2.30	438	32	3.20	3.1			3.10	484	29	2.89	3.0			3.60	551	25	2.54	2.9			4.60	583	24	2.40	2.8			5.00	686	20	2.04	2.7			6.40	753	19	1.86	2.6			6.70	870	16	1.61	2.5	7.00	1000	14	1.40	2.4	7.30	369	38	3.79	2.6	1.80	GRX59 GRXF59	4P	394	35	3.55			2.5	1.90	446			31	3.14	2.4			2.00	481	29	2.91	2.4			2.30	481	29	2.91	2.4			2.30	530	26	2.64	2.3	2.60																																																																																																																																																																																																																																																																																																																																																																										
262	53	5.35	5.2	1.90			296	47	4.73			5.0	2.60	347			40	4.04	4.8			3.50	378	37	3.70	4.7			4.10	431	32	3.25	4.5			5.50	455	31	3.08	4.4			6.20	519	27	2.70	4.2			7.80	576	24	2.43	4.1			8.70	309	45	4.53	3.4	1.80	GRX69 GRXF69	4P	326	43	4.30	3.3	1.85			371	38	3.77			3.2	2.30	438			32	3.20	3.1			3.10	484	29	2.89	3.0			3.60	551	25	2.54	2.9			4.60	583	24	2.40	2.8			5.00	686	20	2.04	2.7			6.40	753	19	1.86	2.6			6.70	870	16	1.61	2.5	7.00	1000	14	1.40	2.4	7.30	369	38	3.79	2.6	1.80	GRX59 GRXF59	4P	394	35	3.55	2.5	1.90			446	31	3.14			2.4	2.00	481			29	2.91	2.4			2.30	481	29	2.91	2.4			2.30	530	26	2.64	2.3	2.60																																																																																																																																																																																																																																																																																																																																																																																	
296	47	4.73	5.0	2.60			347	40	4.04			4.8	3.50	378			37	3.70	4.7			4.10	431	32	3.25	4.5			5.50	455	31	3.08	4.4			6.20	519	27	2.70	4.2			7.80	576	24	2.43	4.1			8.70	309	45	4.53	3.4	1.80	GRX69 GRXF69	4P	326	43	4.30	3.3	1.85			371	38	3.77	3.2	2.30			438	32	3.20			3.1	3.10	484			29	2.89	3.0			3.60	551	25	2.54	2.9			4.60	583	24	2.40	2.8			5.00	686	20	2.04	2.7			6.40	753	19	1.86	2.6			6.70	870	16	1.61	2.5	7.00	1000	14	1.40	2.4	7.30	369	38	3.79	2.6	1.80	GRX59 GRXF59	4P	394	35	3.55	2.5	1.90			446	31	3.14	2.4	2.00			481	29	2.91			2.4	2.30	481			29	2.91	2.4			2.30	530	26	2.64	2.3	2.60																																																																																																																																																																																																																																																																																																																																																																																								
347	40	4.04	4.8	3.50			378	37	3.70			4.7	4.10	431			32	3.25	4.5			5.50	455	31	3.08	4.4			6.20	519	27	2.70	4.2			7.80	576	24	2.43	4.1			8.70	309	45	4.53	3.4	1.80	GRX69 GRXF69	4P	326	43	4.30	3.3	1.85			371	38	3.77	3.2	2.30			438	32	3.20	3.1	3.10			484	29	2.89			3.0	3.60	551			25	2.54	2.9			4.60	583	24	2.40	2.8			5.00	686	20	2.04	2.7			6.40	753	19	1.86	2.6			6.70	870	16	1.61	2.5	7.00	1000	14	1.40	2.4	7.30	369	38	3.79	2.6	1.80	GRX59 GRXF59	4P	394	35	3.55	2.5	1.90			446	31	3.14	2.4	2.00			481	29	2.91	2.4	2.30			481	29	2.91			2.4	2.30	530			26	2.64	2.3	2.60																																																																																																																																																																																																																																																																																																																																																																																															
378	37	3.70	4.7	4.10			431	32	3.25			4.5	5.50	455			31	3.08	4.4			6.20	519	27	2.70	4.2			7.80	576	24	2.43	4.1			8.70	309	45	4.53	3.4	1.80	GRX69 GRXF69	4P	326	43	4.30	3.3	1.85			371	38	3.77	3.2	2.30			438	32	3.20	3.1	3.10			484	29	2.89	3.0	3.60			551	25	2.54			2.9	4.60	583			24	2.40	2.8			5.00	686	20	2.04	2.7			6.40	753	19	1.86	2.6			6.70	870	16	1.61	2.5	7.00	1000	14	1.40	2.4	7.30	369	38	3.79	2.6	1.80	GRX59 GRXF59	4P	394	35	3.55	2.5	1.90			446	31	3.14	2.4	2.00			481	29	2.91	2.4	2.30			481	29	2.91	2.4	2.30			530	26	2.64			2.3	2.60																																																																																																																																																																																																																																																																																																																																																																																																						
431	32	3.25	4.5	5.50			455	31	3.08			4.4	6.20	519			27	2.70	4.2			7.80	576	24	2.43	4.1			8.70	309	45	4.53	3.4	1.80	GRX69 GRXF69	4P	326	43	4.30	3.3	1.85			371	38	3.77	3.2	2.30			438	32	3.20	3.1	3.10			484	29	2.89	3.0	3.60			551	25	2.54	2.9	4.60			583	24	2.40			2.8	5.00	686			20	2.04	2.7			6.40	753	19	1.86	2.6			6.70	870	16	1.61	2.5	7.00	1000	14	1.40	2.4	7.30	369	38	3.79	2.6	1.80	GRX59 GRXF59	4P	394	35	3.55	2.5	1.90			446	31	3.14	2.4	2.00			481	29	2.91	2.4	2.30			481	29	2.91	2.4	2.30			530	26	2.64	2.3	2.60																																																																																																																																																																																																																																																																																																																																																																																																															
455	31	3.08	4.4	6.20			519	27	2.70			4.2	7.80	576			24	2.43	4.1			8.70	309	45	4.53	3.4	1.80	GRX69 GRXF69	4P	326	43	4.30	3.3	1.85			371	38	3.77	3.2	2.30			438	32	3.20	3.1	3.10			484	29	2.89	3.0	3.60			551	25	2.54	2.9	4.60			583	24	2.40	2.8	5.00			686	20	2.04			2.7	6.40	753			19	1.86	2.6			6.70	870	16	1.61	2.5	7.00	1000	14	1.40	2.4	7.30	369	38	3.79	2.6	1.80	GRX59 GRXF59	4P	394	35	3.55	2.5	1.90			446	31	3.14	2.4	2.00			481	29	2.91	2.4	2.30			481	29	2.91	2.4	2.30			530	26	2.64	2.3	2.60																																																																																																																																																																																																																																																																																																																																																																																																																						
519	27	2.70	4.2	7.80			576	24	2.43			4.1	8.70	309			45	4.53	3.4	1.80	GRX69 GRXF69	4P	326	43	4.30	3.3	1.85			371	38	3.77	3.2	2.30			438	32	3.20	3.1	3.10			484	29	2.89	3.0	3.60			551	25	2.54	2.9	4.60			583	24	2.40	2.8	5.00			686	20	2.04	2.7	6.40			753	19	1.86			2.6	6.70	870			16	1.61	2.5	7.00	1000	14	1.40	2.4	7.30	369	38	3.79	2.6	1.80	GRX59 GRXF59	4P	394	35	3.55	2.5	1.90			446	31	3.14	2.4	2.00			481	29	2.91	2.4	2.30			481	29	2.91	2.4	2.30			530	26	2.64	2.3	2.60																																																																																																																																																																																																																																																																																																																																																																																																																													
576	24	2.43	4.1	8.70			309	45	4.53			3.4	1.80	GRX69 GRXF69	4P	326	43	4.30	3.3	1.85			371	38	3.77	3.2	2.30			438	32	3.20	3.1	3.10			484	29	2.89	3.0	3.60			551	25	2.54	2.9	4.60			583	24	2.40	2.8	5.00			686	20	2.04	2.7	6.40			753	19	1.86	2.6	6.70			870	16	1.61			2.5	7.00	1000	14	1.40	2.4	7.30	369	38	3.79	2.6	1.80	GRX59 GRXF59	4P	394	35	3.55	2.5	1.90			446	31	3.14	2.4	2.00			481	29	2.91	2.4	2.30			481	29	2.91	2.4	2.30			530	26	2.64	2.3	2.60																																																																																																																																																																																																																																																																																																																																																																																																																																				
309	45	4.53	3.4	1.80			GRX69 GRXF69	4P	326	43	4.30	3.3	1.85			371	38	3.77	3.2	2.30			438	32	3.20	3.1	3.10			484	29	2.89	3.0	3.60			551	25	2.54	2.9	4.60			583	24	2.40	2.8	5.00			686	20	2.04	2.7	6.40			753	19	1.86	2.6	6.70			870	16	1.61	2.5	7.00			1000	14	1.40	2.4	7.30	369	38	3.79	2.6	1.80	GRX59 GRXF59	4P	394	35	3.55	2.5	1.90			446	31	3.14	2.4	2.00			481	29	2.91	2.4	2.30			481	29	2.91	2.4	2.30			530	26	2.64	2.3	2.60																																																																																																																																																																																																																																																																																																																																																																																																																																											
326	43	4.30	3.3	1.85	371	38			3.77	3.2	2.30	438	32			3.20	3.1	3.10	484	29			2.89	3.0	3.60	551	25			2.54	2.9	4.60	583	24			2.40	2.8	5.00	686	20			2.04	2.7	6.40	753	19			1.86	2.6	6.70	870	16			1.61	2.5	7.00	1000	14			1.40	2.4	7.30	369	38	3.79	2.6	1.80	GRX59 GRXF59	4P	394	35	3.55	2.5	1.90	446	31			3.14	2.4	2.00	481	29			2.91	2.4	2.30	481	29			2.91	2.4	2.30	530	26			2.64	2.3	2.60																																																																																																																																																																																																																																																																																																																																																																																																																																																				
371	38	3.77	3.2	2.30	438	32			3.20	3.1	3.10	484	29			2.89	3.0	3.60	551	25			2.54	2.9	4.60	583	24			2.40	2.8	5.00	686	20			2.04	2.7	6.40	753	19			1.86	2.6	6.70	870	16			1.61	2.5	7.00	1000	14			1.40	2.4	7.30	369	38	3.79	2.6	1.80	GRX59 GRXF59	4P	394	35	3.55	2.5	1.90			446	31	3.14	2.4	2.00	481	29			2.91	2.4	2.30	481	29			2.91	2.4	2.30	530	26			2.64	2.3	2.60																																																																																																																																																																																																																																																																																																																																																																																																																																																											
438	32	3.20	3.1	3.10	484	29			2.89	3.0	3.60	551	25			2.54	2.9	4.60	583	24			2.40	2.8	5.00	686	20			2.04	2.7	6.40	753	19			1.86	2.6	6.70	870	16			1.61	2.5	7.00	1000	14			1.40	2.4	7.30	369	38	3.79	2.6	1.80	GRX59 GRXF59	4P	394	35	3.55	2.5	1.90			446	31	3.14	2.4	2.00			481	29	2.91	2.4	2.30	481	29			2.91	2.4	2.30	530	26			2.64	2.3	2.60																																																																																																																																																																																																																																																																																																																																																																																																																																																																		
484	29	2.89	3.0	3.60	551	25			2.54	2.9	4.60	583	24			2.40	2.8	5.00	686	20			2.04	2.7	6.40	753	19			1.86	2.6	6.70	870	16			1.61	2.5	7.00	1000	14			1.40	2.4	7.30	369	38	3.79	2.6	1.80	GRX59 GRXF59	4P	394	35	3.55	2.5	1.90			446	31	3.14	2.4	2.00			481	29	2.91	2.4	2.30			481	29	2.91	2.4	2.30	530	26			2.64	2.3	2.60																																																																																																																																																																																																																																																																																																																																																																																																																																																																									
551	25	2.54	2.9	4.60	583	24			2.40	2.8	5.00	686	20			2.04	2.7	6.40	753	19			1.86	2.6	6.70	870	16			1.61	2.5	7.00	1000	14			1.40	2.4	7.30	369	38	3.79	2.6	1.80	GRX59 GRXF59	4P	394	35	3.55	2.5	1.90			446	31	3.14	2.4	2.00			481	29	2.91	2.4	2.30			481	29	2.91	2.4	2.30			530	26	2.64	2.3	2.60																																																																																																																																																																																																																																																																																																																																																																																																																																																																																
583	24	2.40	2.8	5.00	686	20			2.04	2.7	6.40	753	19			1.86	2.6	6.70	870	16			1.61	2.5	7.00	1000	14			1.40	2.4	7.30	369	38	3.79	2.6	1.80	GRX59 GRXF59	4P	394	35	3.55	2.5	1.90			446	31	3.14	2.4	2.00			481	29	2.91	2.4	2.30			481	29	2.91	2.4	2.30			530	26	2.64	2.3	2.60																																																																																																																																																																																																																																																																																																																																																																																																																																																																																							
686	20	2.04	2.7	6.40	753	19			1.86	2.6	6.70	870	16			1.61	2.5	7.00	1000	14			1.40	2.4	7.30	369	38	3.79	2.6	1.80	GRX59 GRXF59	4P	394	35	3.55	2.5	1.90			446	31	3.14	2.4	2.00			481	29	2.91	2.4	2.30			481	29	2.91	2.4	2.30			530	26	2.64	2.3	2.60																																																																																																																																																																																																																																																																																																																																																																																																																																																																																														
753	19	1.86	2.6	6.70	870	16			1.61	2.5	7.00	1000	14			1.40	2.4	7.30	369	38	3.79	2.6	1.80	GRX59 GRXF59	4P	394	35	3.55	2.5	1.90			446	31	3.14	2.4	2.00			481	29	2.91	2.4	2.30			481	29	2.91	2.4	2.30			530	26	2.64	2.3	2.60																																																																																																																																																																																																																																																																																																																																																																																																																																																																																																					
870	16	1.61	2.5	7.00	1000	14			1.40	2.4	7.30	369	38	3.79	2.6	1.80	GRX59 GRXF59	4P	394	35	3.55	2.5	1.90			446	31	3.14	2.4	2.00			481	29	2.91	2.4	2.30			481	29	2.91	2.4	2.30			530	26	2.64	2.3	2.60																																																																																																																																																																																																																																																																																																																																																																																																																																																																																																												
1000	14	1.40	2.4	7.30	369	38	3.79	2.6	1.80	GRX59 GRXF59	4P	394	35	3.55	2.5	1.90			446	31	3.14	2.4	2.00			481	29	2.91	2.4	2.30			481	29	2.91	2.4	2.30			530	26	2.64	2.3	2.60																																																																																																																																																																																																																																																																																																																																																																																																																																																																																																																			
369	38	3.79	2.6	1.80	GRX59 GRXF59	4P	394	35	3.55			2.5	1.90	446	31	3.14			2.4	2.00	481	29	2.91			2.4	2.30	481	29	2.91			2.4	2.30	530	26	2.64			2.3	2.60																																																																																																																																																																																																																																																																																																																																																																																																																																																																																																																						
394	35	3.55	2.5	1.90			446	31	3.14			2.4	2.00	481	29	2.91			2.4	2.30	481	29	2.91			2.4	2.30	530	26	2.64			2.3	2.60																																																																																																																																																																																																																																																																																																																																																																																																																																																																																																																													
446	31	3.14	2.4	2.00			481	29	2.91			2.4	2.30	481	29	2.91			2.4	2.30	530	26	2.64			2.3	2.60																																																																																																																																																																																																																																																																																																																																																																																																																																																																																																																																				
481	29	2.91	2.4	2.30			481	29	2.91			2.4	2.30	530	26	2.64			2.3	2.60																																																																																																																																																																																																																																																																																																																																																																																																																																																																																																																																											
481	29	2.91	2.4	2.30			530	26	2.64			2.3	2.60																																																																																																																																																																																																																																																																																																																																																																																																																																																																																																																																																		
530	26	2.64	2.3	2.60																																																																																																																																																																																																																																																																																																																																																																																																																																																																																																																																																											

选型参数表

(恒功率) 1.5kW-2.2kW

Selection Table

(Constant Power) 1.5kW-2.2kW

n_a [r/min]	M_a [Nm]	i	F_{Ra} [kN]	f_B	机型号 Type size	极数 Pole	n_a [r/min]	M_a [Nm]	i	F_{Ra} [kN]	f_B	机型号 Type size	极数 Pole																																																																																																																																																																																																																																																																																																																																																																		
1.5kW							2.2kW																																																																																																																																																																																																																																																																																																																																																																								
591	24	2.37	2.2	2.90	GRX59 GRXF59	4P	3.9	4893	369	11	0.85	GR109R79 GRF109R79	4P																																																																																																																																																																																																																																																																																																																																																																		
686	20	2.04	2.1	3.30			729	19	1.92	2.1	3.50			848	16	1.65	2.0	4.10	946	15	1.48	1.9	4.50	1111	13	1.26	1.9	4.70	2.2kW							4.4	4309	325	27	1.00	GR109R79 GRF109R79	4P	0.43	44579	3362	128	0.8	GR179R109 GRF179R109	4P	6.1	3103	234	11	0.95	GR99R59	4P	0.51	37141	2801	128	1.0	0.58	32805	2474	128	1.1	0.62	30763	2320	128	1.2	0.69	27501	2074	128	1.3	0.77	24756	1867	128	1.5	0.85	22422	1691	128	1.6	0.95	19876	1499	128	1.8	1.1	17967	1355	128	2.0	1.3	14970	1129	128	2.4	1.3	14135	1066	128	2.6	1.5	12716	959	128	2.9	0.46	41079	3098	128	0.9	GR179R99 GRF179R99	4P	6.8	2771	209	21	1.05	GRF99R59	4P	0.49	38639	2914	128	0.9	0.53	35563	2682	128	1.0	0.62	30418	2294	128	1.2	0.66	28615	2158	128	1.3	0.77	24478	1846	128	1.5	1.0	19028	1435	128	1.9	1.2	15766	1189	128	2.3	1.2	15302	1154	128	2.4	1.5	12690	957	128	2.9	0.86	22144	1670	114	0.80	GR109 GRF109	4P	4.6	4314	203.16	27	0.95	0.99	19068	1438	114	0.95	1.1	16959	1279	114	1.05	1.3	14891	1123	114	1.20	1.4	13247	999	114	1.35	1.7	11417	861	114	1.55	1.9	10077	760	114	1.75	2.2	8698	656	114	2.05	2.7	7067	533	68	1.85	3.1	6126	462	68	2.10	3.4	5649	426	69	2.30	3.9	4880	368	69	2.70	4.4	4323	326	70	3.05	1.2	15461	1166	37	0.85	GR109 GRF109	6P	1.4	13644	1029	58	0.95	1.6	11788	889	65	1.10	1.8	10396	784	64	1.25	2.1	9216	695	65	1.45	2.3	8208	619	66	1.60	2.6	7399	558	67	1.75	2.9	6484	489	68	2.00	2.0	9269	699	42	0.85	GR109 GRF109	4P	2.3	8075	609	50	0.95	2.0	9680	730	34	0.80	2.3	8340	629	49	0.95	2.6	7425	560	55	1.05	2.9	6497	490	53	1.20	3.3	5675	428	55	1.40	3.8	5052	381	55	1.55	4.4	4283	323	56	1.85	4.9	3859	291	57	2.05	5.6	3381	255	57	2.35	6.4	2957	223	57	2.70	6.6	301	21.60	16	4.70																
729	19	1.92	2.1	3.50			848	16	1.65	2.0	4.10			946	15	1.48	1.9	4.50	1111	13	1.26	1.9	4.70	2.2kW							4.4	4309	325	27	1.00	GR109R79 GRF109R79	4P	0.43	44579	3362	128	0.8	GR179R109 GRF179R109	4P	6.1	3103	234			11	0.95	GR99R59	4P	0.51	37141	2801	128	1.0	0.58	32805	2474	128	1.1	0.62	30763	2320	128	1.2	0.69	27501	2074	128	1.3	0.77	24756	1867	128	1.5	0.85	22422	1691	128	1.6	0.95	19876	1499	128	1.8	1.1	17967	1355	128	2.0	1.3	14970	1129	128	2.4	1.3	14135	1066	128	2.6	1.5	12716	959	128	2.9	0.46	41079	3098	128	0.9	GR179R99 GRF179R99	4P	6.8			2771	209	21	1.05	GRF99R59	4P	0.49	38639	2914	128	0.9	0.53	35563	2682	128	1.0	0.62	30418	2294	128	1.2	0.66	28615	2158	128	1.3	0.77	24478	1846	128	1.5	1.0	19028	1435	128	1.9	1.2	15766	1189	128	2.3	1.2	15302	1154	128	2.4	1.5	12690	957	128	2.9	0.86	22144	1670	114	0.80	GR109 GRF109			4P	4.6	4314	203.16	27	0.95	0.99	19068	1438	114	0.95	1.1	16959	1279	114	1.05	1.3	14891	1123	114	1.20	1.4	13247	999	114	1.35	1.7	11417	861	114	1.55	1.9	10077	760	114	1.75	2.2	8698	656	114	2.05	2.7	7067	533	68	1.85	3.1	6126	462	68	2.10	3.4	5649	426	69	2.30	3.9	4880	368	69	2.70	4.4	4323	326	70	3.05	1.2	15461	1166	37			0.85	GR109 GRF109	6P	1.4	13644	1029	58	0.95	1.6	11788	889	65	1.10	1.8	10396	784	64	1.25	2.1	9216	695	65	1.45	2.3	8208	619	66	1.60	2.6	7399	558	67	1.75	2.9	6484	489	68	2.00	2.0	9269			699	42	0.85	GR109 GRF109	4P	2.3	8075	609	50	0.95	2.0	9680	730	34	0.80	2.3	8340	629	49	0.95	2.6	7425	560	55	1.05	2.9	6497	490	53	1.20	3.3	5675	428	55	1.40	3.8	5052	381	55	1.55	4.4	4283	323	56	1.85	4.9	3859	291	57	2.05	5.6	3381	255	57	2.35	6.4	2957	223	57	2.70	6.6	301	21.60	16	4.70											
848	16	1.65	2.0	4.10			946	15	1.48	1.9	4.50			1111	13	1.26	1.9	4.70	2.2kW							4.4	4309	325	27	1.00	GR109R79 GRF109R79	4P	0.43	44579	3362	128	0.8	GR179R109 GRF179R109	4P	6.1	3103	234			11	0.95	GR99R59			4P	0.51	37141	2801	128	1.0	0.58	32805	2474	128	1.1	0.62	30763	2320	128	1.2	0.69	27501	2074	128	1.3	0.77	24756	1867	128	1.5	0.85	22422	1691	128	1.6	0.95	19876	1499	128	1.8	1.1	17967	1355	128	2.0	1.3	14970	1129	128	2.4	1.3	14135	1066	128	2.6	1.5	12716	959	128	2.9	0.46	41079	3098	128	0.9	GR179R99 GRF179R99	4P	6.8			2771			209	21	1.05	GRF99R59	4P	0.49	38639	2914	128	0.9	0.53	35563	2682	128	1.0	0.62	30418	2294	128	1.2	0.66	28615	2158	128	1.3	0.77	24478	1846	128	1.5	1.0	19028	1435	128	1.9	1.2	15766	1189	128	2.3	1.2	15302	1154	128	2.4	1.5	12690	957	128	2.9	0.86	22144	1670	114	0.80	GR109 GRF109					4P	4.6	4314	203.16	27	0.95	0.99	19068	1438	114	0.95	1.1	16959	1279	114	1.05	1.3	14891	1123	114	1.20	1.4	13247	999	114	1.35	1.7	11417	861	114	1.55	1.9	10077	760	114	1.75	2.2	8698	656	114	2.05	2.7	7067	533	68	1.85	3.1	6126	462	68	2.10	3.4	5649	426	69	2.30	3.9	4880	368	69	2.70	4.4	4323	326	70	3.05	1.2	15461	1166			37			0.85	GR109 GRF109	6P	1.4	13644	1029	58	0.95	1.6	11788	889	65	1.10	1.8	10396	784	64	1.25	2.1	9216	695	65	1.45	2.3	8208	619	66	1.60	2.6	7399	558	67	1.75	2.9	6484	489	68			2.00	2.0	9269			699	42	0.85	GR109 GRF109	4P	2.3	8075	609	50	0.95	2.0	9680	730	34	0.80	2.3	8340	629	49	0.95	2.6	7425	560	55	1.05	2.9	6497	490	53	1.20	3.3	5675	428	55	1.40	3.8	5052	381	55	1.55	4.4	4283	323	56	1.85	4.9	3859	291	57	2.05	5.6	3381	255	57	2.35	6.4	2957	223	57	2.70	6.6	301	21.60	16	4.70						
946	15	1.48	1.9	4.50			1111	13	1.26	1.9	4.70			2.2kW							4.4	4309	325	27	1.00	GR109R79 GRF109R79	4P	0.43	44579	3362	128	0.8	GR179R109 GRF179R109	4P	6.1	3103	234			11	0.95	GR99R59			4P	0.51	37141			2801	128	1.0	0.58	32805	2474	128	1.1	0.62	30763	2320	128	1.2	0.69	27501	2074	128	1.3	0.77	24756	1867	128	1.5	0.85	22422	1691	128	1.6	0.95	19876	1499	128	1.8	1.1	17967	1355	128	2.0	1.3	14970	1129	128	2.4	1.3	14135	1066	128	2.6	1.5	12716	959	128	2.9	0.46	41079	3098	128	0.9	GR179R99 GRF179R99	4P	6.8			2771			209			21	1.05	GRF99R59	4P	0.49	38639	2914	128	0.9	0.53	35563	2682	128	1.0	0.62	30418	2294	128	1.2	0.66	28615	2158	128	1.3	0.77	24478	1846	128	1.5	1.0	19028	1435	128	1.9	1.2	15766	1189	128	2.3	1.2	15302	1154	128	2.4	1.5	12690	957	128	2.9	0.86	22144	1670	114	0.80	GR109 GRF109							4P	4.6	4314	203.16	27	0.95	0.99	19068	1438	114	0.95	1.1	16959	1279	114	1.05	1.3	14891	1123	114	1.20	1.4	13247	999	114	1.35	1.7	11417	861	114	1.55	1.9	10077	760	114	1.75	2.2	8698	656	114	2.05	2.7	7067	533	68	1.85	3.1	6126	462	68	2.10	3.4	5649	426	69	2.30	3.9	4880	368	69	2.70	4.4	4323	326	70	3.05	1.2	15461			1166			37			0.85	GR109 GRF109	6P	1.4	13644	1029	58	0.95	1.6	11788	889	65	1.10	1.8	10396	784	64	1.25	2.1	9216	695	65	1.45	2.3	8208	619	66	1.60	2.6	7399	558	67	1.75	2.9			6484	489	68			2.00	2.0	9269			699	42	0.85	GR109 GRF109	4P	2.3	8075	609	50	0.95	2.0	9680	730	34	0.80	2.3	8340	629	49	0.95	2.6	7425	560	55	1.05	2.9	6497	490	53	1.20	3.3	5675	428	55	1.40	3.8	5052	381	55	1.55	4.4	4283	323	56	1.85	4.9	3859	291	57	2.05	5.6	3381	255	57	2.35	6.4	2957	223	57	2.70	6.6	301	21.60	16	4.70	
1111	13	1.26	1.9	4.70			2.2kW							4.4	4309	325	27	1.00	GR109R79 GRF109R79	4P	0.43	44579	3362	128	0.8	GR179R109 GRF179R109	4P	6.1	3103	234	11	0.95			GR99R59	4P	0.51			37141	2801	128			1.0	0.58	32805			2474	128	1.1	0.62	30763	2320	128	1.2	0.69	27501	2074	128	1.3	0.77	24756	1867	128	1.5	0.85	22422	1691	128	1.6	0.95	19876	1499	128	1.8	1.1	17967	1355	128	2.0	1.3	14970	1129	128	2.4	1.3	14135	1066	128	2.6	1.5	12716	959	128	2.9	0.46	41079	3098	128	0.9	GR179R99 GRF179R99	4P	6.8	2771	209			21			1.05			GRF99R59			4P	0.49	38639	2914	128	0.9	0.53	35563	2682	128	1.0	0.62	30418	2294	128	1.2	0.66	28615	2158	128	1.3	0.77	24478	1846	128	1.5	1.0	19028	1435	128	1.9	1.2	15766	1189	128	2.3	1.2	15302	1154	128	2.4	1.5	12690	957	128	2.9	0.86	22144	1670	114	0.80	GR109 GRF109	4P	4.6									4314	203.16	27	0.95	0.99	19068	1438	114	0.95	1.1	16959	1279	114	1.05	1.3	14891	1123	114	1.20	1.4	13247	999	114	1.35	1.7	11417	861	114	1.55	1.9	10077	760	114	1.75	2.2	8698	656	114	2.05	2.7	7067	533	68	1.85	3.1	6126	462	68	2.10	3.4	5649	426	69	2.30	3.9	4880	368	69	2.70	4.4	4323	326	70	3.05	1.2	15461	1166			37			0.85			GR109 GRF109			6P	1.4	13644	1029	58	0.95	1.6	11788	889	65	1.10	1.8	10396	784	64	1.25	2.1	9216	695	65	1.45	2.3	8208	619	66	1.60	2.6	7399	558	67	1.75			2.9	6484	489			68	2.00	2.0			9269	699	42			0.85	GR109 GRF109	4P	2.3	8075	609	50	0.95	2.0	9680	730	34	0.80	2.3	8340	629	49	0.95	2.6	7425	560	55	1.05	2.9	6497	490	53	1.20	3.3	5675	428	55	1.40	3.8	5052	381	55	1.55	4.4	4283	323	56	1.85	4.9	3859	291	57	2.05	5.6	3381	255	57	2.35	6.4	2957	223	57	2.70	6.6	301	21.60
2.2kW							4.4	4309	325	27	1.00	GR109R79 GRF109R79	4P																																																																																																																																																																																																																																																																																																																																																																		
0.43	44579	3362	128	0.8	GR179R109 GRF179R109	4P	6.1	3103	234	11	0.95	GR99R59	4P																																																																																																																																																																																																																																																																																																																																																																		
0.51	37141	2801	128	1.0			0.58	32805	2474	128	1.1	0.62	30763	2320	128	1.2	0.69	27501	2074	128	1.3	0.77	24756	1867	128			1.5	0.85	22422	1691	128			1.6	0.95	19876			1499	128	1.8			1.1	17967	1355			128	2.0	1.3	14970	1129	128	2.4	1.3	14135	1066	128	2.6	1.5	12716	959	128	2.9	0.46	41079	3098	128	0.9	GR179R99 GRF179R99	4P	6.8	2771	209	21	1.05	GRF99R59	4P	0.49	38639	2914	128	0.9	0.53	35563	2682	128	1.0	0.62	30418	2294	128	1.2	0.66	28615	2158	128	1.3	0.77	24478			1846	128	1.5			1.0			19028			1435			128	1.9	1.2	15766	1189	128	2.3	1.2	15302	1154	128	2.4	1.5	12690	957	128	2.9	0.86	22144	1670	114	0.80	GR109 GRF109	4P	4.6	4314	203.16	27	0.95	0.99	19068	1438	114	0.95	1.1	16959	1279	114	1.05	1.3	14891	1123	114	1.20	1.4	13247	999	114	1.35	1.7	11417			861									114	1.55	1.9	10077	760	114	1.75	2.2	8698	656	114	2.05	2.7	7067	533	68	1.85	3.1	6126	462	68	2.10	3.4	5649	426	69	2.30	3.9	4880	368	69	2.70	4.4	4323	326	70	3.05	1.2	15461	1166	37	0.85	GR109 GRF109	6P	1.4	13644	1029	58	0.95	1.6	11788	889	65	1.10	1.8	10396	784	64	1.25	2.1	9216	695	65	1.45	2.3	8208	619			66			1.60							2.6	7399	558	67	1.75	2.9	6484	489	68	2.00	2.0	9269	699	42	0.85	GR109 GRF109	4P	2.3	8075	609	50	0.95	2.0	9680	730	34	0.80	2.3	8340	629			49	0.95	2.6			7425	560	55			1.05	2.9	6497			490			53	1.20	3.3	5675	428	55	1.40	3.8	5052	381	55	1.55	4.4	4283	323	56	1.85	4.9	3859	291	57	2.05	5.6	3381	255	57	2.35	6.4	2957	223	57	2.70	6.6	301	21.60	16	4.70																					
0.58	32805	2474	128	1.1			0.62	30763	2320	128	1.2	0.69	27501	2074	128	1.3	0.77	24756	1867	128	1.5	0.85	22422	1691	128			1.6	0.95	19876	1499	128			1.8	1.1	17967			1355	128	2.0			1.3	14970	1129			128	2.4	1.3	14135	1066	128	2.6	1.5	12716	959	128	2.9	0.46	41079	3098	128	0.9	GR179R99 GRF179R99	4P	6.8	2771	209			21	1.05	GRF99R59	4P	0.49	38639	2914	128	0.9	0.53	35563	2682	128	1.0	0.62	30418	2294	128	1.2	0.66	28615	2158	128	1.3	0.77	24478	1846	128	1.5			1.0	19028	1435			128			1.9			1.2			15766	1189	128	2.3	1.2	15302	1154	128	2.4	1.5	12690	957	128	2.9	0.86	22144	1670	114	0.80	GR109 GRF109	4P	4.6			4314	203.16	27	0.95	0.99	19068	1438	114	0.95	1.1	16959	1279	114	1.05	1.3	14891	1123	114	1.20	1.4	13247	999	114	1.35	1.7	11417	861			114									1.55	1.9	10077	760	114	1.75	2.2	8698	656	114	2.05	2.7	7067	533	68	1.85	3.1	6126	462	68	2.10	3.4	5649	426	69	2.30	3.9	4880	368	69	2.70	4.4	4323	326	70	3.05	1.2	15461	1166	37	0.85	GR109 GRF109			6P	1.4	13644	1029	58	0.95	1.6	11788	889	65	1.10	1.8	10396	784	64	1.25	2.1	9216	695	65	1.45	2.3	8208			619			66							1.60	2.6	7399	558	67	1.75	2.9	6484	489	68	2.00	2.0	9269	699	42			0.85	GR109 GRF109	4P	2.3	8075	609	50	0.95	2.0	9680	730	34	0.80			2.3	8340	629			49	0.95	2.6			7425	560	55			1.05			2.9	6497	490	53	1.20	3.3	5675	428	55	1.40	3.8	5052	381	55	1.55	4.4	4283	323	56	1.85	4.9	3859	291	57	2.05	5.6	3381	255	57	2.35	6.4	2957	223	57	2.70	6.6	301	21.60	16	4.70																		
0.62	30763	2320	128	1.2			0.69	27501	2074	128	1.3	0.77	24756	1867	128	1.5	0.85	22422	1691	128	1.6	0.95	19876	1499	128			1.8	1.1	17967	1355	128			2.0	1.3	14970			1129	128	2.4			1.3	14135	1066			128	2.6	1.5	12716	959	128	2.9	0.46	41079	3098	128	0.9	GR179R99 GRF179R99	4P	6.8	2771	209			21	1.05	GRF99R59			4P	0.49	38639	2914	128	0.9	0.53	35563	2682	128	1.0	0.62	30418	2294	128	1.2	0.66	28615	2158	128	1.3	0.77	24478	1846	128	1.5	1.0	19028	1435			128	1.9	1.2			15766			1189			128			2.3	1.2	15302	1154	128	2.4	1.5	12690	957	128	2.9	0.86	22144	1670	114	0.80	GR109 GRF109	4P	4.6			4314			203.16	27	0.95	0.99	19068	1438	114	0.95	1.1	16959	1279	114	1.05	1.3	14891	1123	114	1.20	1.4	13247	999	114	1.35	1.7	11417	861	114			1.55									1.9	10077	760	114	1.75	2.2	8698	656	114	2.05	2.7	7067	533	68	1.85	3.1	6126	462	68	2.10	3.4	5649	426	69	2.30	3.9	4880	368	69	2.70	4.4	4323	326	70	3.05	1.2	15461	1166	37	0.85	GR109 GRF109					6P	1.4	13644	1029	58	0.95	1.6	11788	889	65	1.10	1.8	10396	784	64	1.25	2.1	9216	695	65	1.45	2.3			8208			619							66	1.60	2.6	7399	558	67	1.75	2.9	6484	489	68	2.00	2.0	9269	699			42			0.85	GR109 GRF109	4P	2.3	8075	609	50	0.95	2.0	9680			730	34	0.80			2.3	8340	629			49	0.95	2.6			7425			560	55	1.05	2.9	6497	490	53	1.20	3.3	5675	428	55	1.40	3.8	5052	381	55	1.55	4.4	4283	323	56	1.85	4.9	3859	291	57	2.05	5.6	3381	255	57	2.35	6.4	2957	223	57	2.70	6.6	301	21.60	16	4.70															
0.69	27501	2074	128	1.3			0.77	24756	1867	128	1.5	0.85	22422	1691	128	1.6	0.95	19876	1499	128	1.8	1.1	17967	1355	128			2.0	1.3	14970	1129	128			2.4	1.3	14135			1066	128	2.6			1.5	12716	959			128	2.9	0.46	41079	3098	128	0.9	GR179R99 GRF179R99	4P	6.8	2771	209			21	1.05	GRF99R59			4P	0.49	38639			2914	128	0.9	0.53	35563	2682	128	1.0	0.62	30418	2294	128	1.2	0.66	28615	2158	128	1.3	0.77	24478	1846	128	1.5	1.0	19028	1435	128	1.9	1.2			15766	1189	128			2.3			1.2			15302			1154	128	2.4	1.5	12690	957	128	2.9	0.86	22144	1670	114	0.80	GR109 GRF109	4P	4.6			4314			203.16			27	0.95	0.99	19068	1438	114	0.95	1.1	16959	1279	114	1.05	1.3	14891	1123	114	1.20	1.4	13247	999	114	1.35	1.7	11417	861	114	1.55			1.9									10077	760	114	1.75	2.2	8698	656	114	2.05	2.7	7067	533	68	1.85	3.1	6126	462	68	2.10	3.4	5649	426	69	2.30	3.9	4880	368	69	2.70	4.4	4323	326	70	3.05	1.2	15461	1166	37	0.85	GR109 GRF109							6P	1.4	13644	1029	58	0.95	1.6	11788	889	65	1.10	1.8	10396	784	64	1.25	2.1	9216	695	65	1.45			2.3			8208							619	66	1.60	2.6	7399	558	67	1.75	2.9	6484	489	68	2.00	2.0	9269			699			42			0.85	GR109 GRF109	4P	2.3	8075	609	50			0.95	2.0	9680			730	34	0.80			2.3	8340	629			49			0.95	2.6	7425	560	55	1.05	2.9	6497	490	53	1.20	3.3	5675	428	55	1.40	3.8	5052	381	55	1.55	4.4	4283	323	56	1.85	4.9	3859	291	57	2.05	5.6	3381	255	57	2.35	6.4	2957	223	57	2.70	6.6	301	21.60	16	4.70												
0.77	24756	1867	128	1.5			0.85	22422	1691	128	1.6	0.95	19876	1499	128	1.8	1.1	17967	1355	128	2.0	1.3	14970	1129	128			2.4	1.3	14135	1066	128			2.6	1.5	12716			959	128	2.9			0.46	41079	3098			128	0.9	GR179R99 GRF179R99	4P	6.8	2771	209			21	1.05	GRF99R59			4P	0.49	38639			2914	128	0.9			0.53	35563	2682	128	1.0	0.62	30418	2294	128	1.2	0.66	28615	2158	128	1.3	0.77	24478	1846	128	1.5	1.0	19028	1435	128	1.9	1.2	15766	1189	128			2.3	1.2	15302			1154			128			2.4			1.5	12690	957	128	2.9	0.86	22144	1670	114	0.80	GR109 GRF109	4P	4.6			4314			203.16			27			0.95	0.99	19068	1438	114	0.95	1.1	16959	1279	114	1.05	1.3	14891	1123	114	1.20	1.4	13247	999	114	1.35	1.7	11417	861	114	1.55	1.9			10077									760	114	1.75	2.2	8698	656	114	2.05	2.7	7067	533	68	1.85	3.1	6126	462	68	2.10	3.4	5649	426	69	2.30	3.9	4880	368	69	2.70	4.4	4323	326	70	3.05	1.2	15461	1166	37	0.85	GR109 GRF109									6P	1.4	13644	1029	58	0.95	1.6	11788	889	65	1.10	1.8	10396	784	64	1.25	2.1	9216	695	65			1.45			2.3							8208	619	66	1.60	2.6	7399	558	67	1.75	2.9	6484	489	68	2.00	2.0			9269			699			42			0.85	GR109 GRF109	4P	2.3			8075	609	50			0.95	2.0	9680			730	34	0.80			2.3			8340	629	49	0.95	2.6	7425	560	55	1.05	2.9	6497	490	53	1.20	3.3	5675	428	55	1.40	3.8	5052	381	55	1.55	4.4	4283	323	56	1.85	4.9	3859	291	57	2.05	5.6	3381	255	57	2.35	6.4	2957	223	57	2.70	6.6	301	21.60	16	4.70									
0.85	22422	1691	128	1.6			0.95	19876	1499	128	1.8	1.1	17967	1355	128	2.0	1.3	14970	1129	128	2.4	1.3	14135	1066	128			2.6	1.5	12716	959	128			2.9	0.46	41079			3098	128	0.9			GR179R99 GRF179R99	4P	6.8			2771	209			21	1.05	GRF99R59			4P	0.49	38639			2914	128	0.9			0.53	35563	2682			128	1.0	0.62	30418	2294	128	1.2	0.66	28615	2158	128	1.3	0.77	24478	1846	128	1.5	1.0	19028	1435	128	1.9	1.2	15766	1189	128	2.3	1.2	15302			1154	128	2.4			1.5			12690			957			128	2.9	0.86	22144	1670	114	0.80	GR109 GRF109	4P	4.6			4314			203.16			27			0.95			0.99	19068	1438	114	0.95	1.1	16959	1279	114	1.05	1.3	14891	1123	114	1.20	1.4	13247	999	114	1.35	1.7	11417	861	114	1.55	1.9	10077			760									114	1.75	2.2	8698	656	114	2.05	2.7	7067	533	68	1.85	3.1	6126	462	68	2.10	3.4	5649	426	69	2.30	3.9	4880	368	69	2.70	4.4	4323	326	70	3.05	1.2	15461	1166	37	0.85	GR109 GRF109											6P	1.4	13644	1029	58	0.95	1.6	11788	889	65	1.10	1.8	10396	784	64	1.25	2.1	9216	695			65			1.45							2.3	8208	619	66	1.60	2.6	7399	558	67	1.75	2.9	6484	489	68	2.00			2.0			9269			699			42			0.85			GR109 GRF109	4P	2.3			8075	609	50			0.95	2.0	9680			730			34	0.80	2.3	8340	629	49	0.95	2.6	7425	560	55	1.05	2.9	6497	490	53	1.20	3.3	5675	428	55	1.40	3.8	5052	381	55	1.55	4.4	4283	323	56	1.85	4.9	3859	291	57	2.05	5.6	3381	255	57	2.35	6.4	2957	223	57	2.70	6.6	301	21.60	16	4.70						
0.95	19876	1499	128	1.8			1.1	17967	1355	128	2.0	1.3	14970	1129	128	2.4	1.3	14135	1066	128	2.6	1.5	12716	959	128			2.9	0.46	41079	3098	128			0.9	GR179R99 GRF179R99	4P			6.8	2771	209					21			1.05	GRF99R59			4P	0.49	38639			2914	128	0.9			0.53	35563	2682			128	1.0	0.62			30418	2294	128	1.2	0.66	28615	2158	128	1.3	0.77	24478	1846	128	1.5	1.0	19028	1435	128	1.9	1.2	15766	1189	128	2.3	1.2	15302	1154	128	2.4			1.5	12690	957			128			2.9			0.86			22144	1670	114	0.80	GR109 GRF109	4P	4.6			4314			203.16			27			0.95			0.99			19068	1438	114	0.95	1.1	16959	1279	114	1.05	1.3	14891	1123	114	1.20	1.4	13247	999	114	1.35	1.7	11417	861	114	1.55	1.9	10077	760			114									1.75	2.2	8698	656	114	2.05	2.7	7067	533	68	1.85	3.1	6126	462	68	2.10	3.4	5649	426	69	2.30	3.9	4880	368	69	2.70	4.4	4323	326	70	3.05	1.2	15461	1166	37	0.85	GR109 GRF109													6P	1.4	13644	1029	58	0.95	1.6	11788	889	65	1.10	1.8	10396	784	64	1.25	2.1	9216			695			65							1.45	2.3	8208	619	66	1.60	2.6	7399	558	67	1.75	2.9	6484	489	68			2.00			2.0			9269			699			42					0.85			GR109 GRF109	4P	2.3			8075	609	50			0.95			2.0	9680	730	34	0.80	2.3	8340	629	49	0.95	2.6	7425	560	55	1.05	2.9	6497	490	53	1.20	3.3	5675	428	55	1.40	3.8	5052	381	55	1.55	4.4	4283	323	56	1.85	4.9	3859	291	57	2.05	5.6	3381	255	57	2.35	6.4	2957	223	57	2.70	6.6	301	21.60	16	4.70			
1.1	17967	1355	128	2.0			1.3	14970	1129	128	2.4	1.3	14135	1066	128	2.6	1.5	12716	959	128	2.9	0.46	41079	3098	128			0.9	GR179R99 GRF179R99	4P	6.8	2771			209					21	1.05	GRF99R59					4P	0.49	38639	2914	128			0.9	0.53	35563			2682	128	1.0			0.62	30418	2294			128	1.2	0.66			28615	2158	128	1.3	0.77	24478	1846	128	1.5	1.0	19028	1435	128	1.9	1.2	15766	1189	128	2.3	1.2	15302	1154	128	2.4	1.5	12690	957	128	2.9			0.86	22144	1670			114			0.80			GR109 GRF109	4P	4.6	4314	203.16	27	0.95			0.99			19068			1438			114			0.95			1.1			16959	1279	114	1.05	1.3	14891	1123	114	1.20	1.4	13247	999	114	1.35	1.7	11417	861	114	1.55	1.9	10077	760	114	1.75	2.2	8698	656			114				2.05	2.7				7067	533	68	1.85	3.1	6126	462	68	2.10	3.4	5649	426	69	2.30	3.9	4880	368	69	2.70	4.4	4323	326	70	3.05	1.2	15461	1166	37	0.85	GR109 GRF109	6P	1.4	13644	1029	58	0.95															1.6	11788	889	65	1.10	1.8	10396	784	64	1.25	2.1	9216	695	65	1.45	2.3	8208	619	66	1.60			2.6							7399	558	67	1.75	2.9	6484	489	68	2.00	2.0	9269	699	42	0.85	GR109 GRF109			4P			2.3			8075			609			50	0.95	2.0			9680					730			34	0.80	2.3			8340			629	49	0.95	2.6	7425	560	55	1.05	2.9	6497	490	53	1.20	3.3	5675	428	55	1.40	3.8	5052	381	55	1.55	4.4	4283	323	56	1.85	4.9	3859	291	57	2.05	5.6	3381	255	57	2.35	6.4	2957	223	57	2.70	6.6	301	21.60	16	4.70										
1.3	14970	1129	128	2.4			1.3	14135	1066	128	2.6	1.5	12716	959	128	2.9	0.46	41079	3098	128	0.9	GR179R99 GRF179R99	4P	6.8	2771			209			21	1.05			GRF99R59					4P	0.49	38639	2914	128			0.9	0.53	35563	2682	128			1.0	0.62	30418			2294	128	1.2			0.66	28615	2158			128	1.3	0.77			24478	1846	128	1.5	1.0	19028	1435	128	1.9	1.2	15766	1189	128	2.3	1.2	15302	1154	128	2.4	1.5	12690	957	128	2.9	0.86	22144	1670	114	0.80			GR109 GRF109	4P	4.6			4314			203.16	27	0.95			0.99	19068	1438	114	0.95			1.1			16959			1279			114			1.05			1.3			14891	1123	114	1.20	1.4	13247	999	114	1.35	1.7	11417	861	114	1.55	1.9	10077	760	114	1.75	2.2	8698	656	114	2.05	2.7	7067	533			68			1.85	3.1	6126	462			68	2.10	3.4	5649	426	69	2.30	3.9	4880	368	69	2.70	4.4	4323	326	70	3.05	1.2	15461	1166	37	0.85	GR109 GRF109	6P	1.4	13644	1029	58	0.95			1.6	11788	889	65	1.10															1.8	10396	784	64	1.25	2.1	9216	695	65	1.45	2.3	8208	619	66	1.60	2.6	7399	558	67	1.75	2.9	6484	489							68	2.00	2.0	9269	699	42	0.85	GR109 GRF109	4P	2.3	8075	609	50	0.95							2.0			9680			730			34	0.80	2.3			8340	629	49			0.95			2.6	7425	560			55			1.05	2.9	6497	490	53	1.20	3.3	5675	428	55	1.40	3.8	5052	381	55	1.55	4.4	4283	323	56	1.85	4.9	3859	291	57	2.05	5.6	3381	255	57	2.35	6.4	2957	223	57	2.70	6.6	301	21.60	16	4.70																	
1.3	14135	1066	128	2.6			1.5	12716	959	128	2.9	0.46	41079	3098	128	0.9	GR179R99 GRF179R99	4P	6.8	2771	209			21	1.05			GRF99R59			4P	0.49			38639			2914	128	0.9	0.53	35563	2682	128			1.0	0.62	30418	2294	128			1.2	0.66	28615			2158	128	1.3			0.77	24478	1846			128	1.5	1.0			19028	1435	128	1.9	1.2	15766	1189	128	2.3	1.2	15302	1154	128	2.4	1.5	12690	957	128	2.9	0.86	22144	1670	114	0.80	GR109 GRF109	4P	4.6	4314	203.16					27			0.95	0.99	19068	1438	114	0.95			1.1	16959	1279	114	1.05			1.3			14891			1123			114			1.20			1.4			13247	999	114	1.35	1.7	11417	861	114	1.55	1.9	10077	760	114	1.75	2.2	8698	656	114	2.05	2.7	7067	533	68	1.85	3.1	6126	462			68		2.10	3.4	5649	426	69	2.30		3.9	4880	368	69	2.70	4.4	4323	326	70	3.05	1.2	15461	1166	37	0.85	GR109 GRF109	6P	1.4	13644	1029	58	0.95			1.6	11788	889	65	1.10			1.8	10396	784	64	1.25															2.1	9216	695	65	1.45	2.3	8208	619	66	1.60	2.6	7399	558	67	1.75	2.9	6484	489	68	2.00	2.0	9269	699	42	0.85					GR109 GRF109	4P	2.3	8075	609	50	0.95			2.0	9680	730	34	0.80							2.3			8340			629			49	0.95	2.6			7425	560	55			1.05	2.9	6497	490	53	1.20			3.3			5675	428	55	1.40	3.8	5052	381	55	1.55	4.4	4283	323	56	1.85	4.9	3859	291	57	2.05	5.6	3381	255	57	2.35	6.4	2957	223	57	2.70	6.6	301	21.60	16	4.70																								
1.5	12716	959	128	2.9			0.46	41079	3098	128	0.9	GR179R99 GRF179R99	4P	6.8	2771	209			21	1.05	GRF99R59			4P	0.49			38639			2914	128	0.9	0.53	35563			2682	128	1.0	0.62	30418	2294	128			1.2	0.66	28615	2158	128			1.3	0.77	24478			1846	128	1.5			1.0	19028	1435			128	1.9	1.2			15766	1189	128	2.3	1.2	15302	1154	128	2.4	1.5	12690	957	128	2.9	0.86	22144	1670	114	0.80	GR109 GRF109	4P	4.6	4314	203.16			27	0.95	0.99					19068	1438	114	0.95	1.1	16959	1279	114	1.05			1.3	14891	1123	114	1.20			1.4			13247			999			114			1.35			1.7			11417	861	114	1.55	1.9	10077	760	114	1.75	2.2	8698	656	114	2.05	2.7	7067	533	68	1.85	3.1	6126	462	68	2.10	3.4	5649	426			69	2.30	3.9	4880	368	69	2.70	4.4	4323	326	70	3.05	1.2	15461	1166	37	0.85	GR109 GRF109	6P	1.4	13644	1029	58	0.95			1.6	11788	889	65	1.10			1.8	10396	784	64	1.25			2.1	9216	695	65	1.45															2.3	8208	619	66	1.60	2.6	7399	558	67	1.75	2.9	6484	489	68	2.00	2.0	9269	699	42	0.85	GR109 GRF109	4P	2.3	8075	609		50	0.95				2.0	9680	730	34	0.80			2.3	8340	629	49	0.95							2.6			7425			560			55	1.05	2.9			6497	490	53			1.20	3.3	5675	428	55	1.40	3.8	5052	381			55	1.55	4.4	4283	323	56	1.85	4.9	3859	291	57	2.05	5.6	3381	255	57	2.35	6.4	2957	223	57	2.70	6.6	301	21.60	16	4.70																															
0.46	41079	3098	128	0.9			GR179R99 GRF179R99	4P	6.8	2771	209			21	1.05	GRF99R59			4P																																																																																																																																																																																																																																																																																																																																																												
0.49	38639	2914	128	0.9					0.53	35563	2682			128	1.0	0.62			30418	2294	128			1.2	0.66	28615	2158	128			1.3	0.77	24478	1846	128			1.5	1.0	19028	1435	128	1.9	1.2			15766	1189	128	2.3	1.2			15302	1154	128			2.4	1.5	12690			957	128	2.9			0.86	22144	1670			114	0.80	GR109 GRF109	4P	4.6	4314	203.16	27	0.95	0.99	19068	1438	114	0.95	1.1	16959	1279	114	1.05			1.3	14891	1123			114	1.20	1.4	13247	999			114	1.35	1.7	11417	861	114	1.55	1.9	10077			760	114	1.75	2.2	8698			656			114			2.05			2.7			7067			533			68	1.85	3.1	6126	462	68	2.10	3.4	5649	426	69	2.30	3.9	4880	368	69	2.70	4.4	4323	326	70	3.05	1.2	15461	1166	37	0.85	GR109 GRF109	6P	1.4	13644	1029	58	0.95	1.6	11788	889	65	1.10	1.8	10396	784	64	1.25	2.1	9216			695	65	1.45	2.3	8208			619	66	1.60	2.6	7399			558	67	1.75	2.9	6484			489	68	2.00	2.0	9269															699	42	0.85	GR109 GRF109	4P	2.3	8075	609	50	0.95	2.0	9680	730	34	0.80	2.3	8340	629	49	0.95			2.6	7425	560	55	1.05	2.9	6497			490	53	1.20	3.3	5675			428	55	1.40	3.8	5052							381			55			1.55			4.4	4283	323			56	1.85	4.9			3859	291	57	2.05	5.6	3381	255	57	2.35	6.4	2957	223	57	2.70	6.6	301	21.60	16	4.70																																																		
0.53	35563	2682	128	1.0	0.62	30418			2294	128	1.2			0.66	28615	2158			128	1.3	0.77			24478	1846	128	1.5	1.0			19028	1435	128	1.9	1.2			15766	1189	128	2.3	1.2	15302	1154			128	2.4	1.5	12690	957			128	2.9	0.86			22144	1670	114			0.80	GR109 GRF109	4P			4.6	4314	203.16			27	0.95			0.99	19068	1438	114	0.95	1.1	16959	1279	114	1.05	1.3	14891	1123	114	1.20			1.4	13247	999			114	1.35	1.7	11417	861			114	1.55	1.9	10077	760	114	1.75	2.2	8698			656	114	2.05	2.7	7067			533			68			1.85			3.1			6126			462			68	2.10	3.4	5649	426	69	2.30	3.9	4880	368	69	2.70	4.4	4323	326	70	3.05	1.2	15461	1166	37	0.85	GR109 GRF109	6P	1.4	13644	1029			58	0.95	1.6	11788	889	65	1.10	1.8	10396	784	64	1.25	2.1	9216	695	65	1.45			2.3	8208	619	66	1.60			2.6	7399	558	67	1.75			2.9	6484	489	68	2.00			2.0	9269	699	42	0.85															GR109 GRF109	4P	2.3			8075	609	50	0.95	2.0	9680	730	34	0.80	2.3	8340	629	49	0.95	2.6			7425	560	55	1.05	2.9	6497	490			53	1.20	3.3	5675	428			55	1.40	3.8	5052	381							55			1.55			4.4			4283	323	56			1.85	4.9	3859			291	57	2.05	5.6	3381	255	57	2.35	6.4	2957	223	57	2.70	6.6	301	21.60	16	4.70																																																			
0.62	30418	2294	128	1.2	0.66	28615			2158	128	1.3			0.77	24478	1846			128	1.5	1.0			19028	1435	128	1.9	1.2			15766	1189	128	2.3	1.2			15302	1154	128	2.4	1.5	12690	957			128	2.9	0.86	22144	1670			114	0.80	GR109 GRF109			4P	4.6	4314			203.16					27	0.95	0.99	19068	1438	114	0.95			1.1	16959	1279	114	1.05	1.3	14891	1123	114	1.20	1.4	13247	999	114	1.35			1.7	11417	861			114	1.55	1.9	10077	760			114	1.75	2.2	8698	656	114	2.05	2.7	7067			533	68	1.85	3.1	6126			462			68			2.10			3.4			5649			426	69	2.30	3.9	4880	368	69	2.70	4.4	4323	326	70	3.05	1.2	15461	1166	37	0.85	GR109 GRF109	6P	1.4	13644	1029	58	0.95			1.6	11788	889			65	1.10	1.8	10396	784	64	1.25	2.1	9216	695	65	1.45	2.3	8208	619	66	1.60			2.6	7399	558	67	1.75			2.9	6484	489	68	2.00			2.0	9269	699	42	0.85			GR109 GRF109	4P	2.3	8075	609							50	0.95									2.0			9680	730	34	0.80	2.3	8340	629	49	0.95	2.6	7425	560	55	1.05	2.9			6497	490	53	1.20	3.3	5675	428			55	1.40	3.8	5052	381			55	1.55	4.4	4283	323		56	1.85				4.9			3859			291			57	2.05	5.6			3381	255	57			2.35	6.4	2957	223	57	2.70	6.6	301	21.60	16	4.70																																																										
0.66	28615	2158	128	1.3	0.77	24478			1846	128	1.5			1.0	19028	1435			128	1.9	1.2			15766	1189	128	2.3	1.2			15302	1154	128	2.4	1.5			12690	957	128	2.9	0.86	22144	1670			114	0.80	GR109 GRF109	4P	4.6			4314	203.16					27	0.95			0.99			19068	1438	114	0.95	1.1	16959	1279	114	1.05			1.3	14891	1123	114	1.20	1.4	13247	999	114	1.35	1.7	11417	861	114	1.55			1.9	10077	760			114	1.75	2.2	8698	656			114	2.05	2.7	7067	533	68	1.85	3.1	6126			462	68	2.10	3.4	5649			426			69			2.30			3.9			4880	368	69	2.70	4.4	4323	326	70	3.05	1.2	15461	1166	37	0.85	GR109 GRF109	6P	1.4	13644	1029	58	0.95			1.6	11788	889	65	1.10			1.8	10396	784			64	1.25	2.1	9216	695	65	1.45	2.3	8208	619	66	1.60	2.6	7399	558	67	1.75			2.9	6484	489	68	2.00			2.0	9269	699	42	0.85			GR109 GRF109	4P	2.3	8075	609					50	0.95	2.0						9680	730	34	0.80								2.3			8340	629	49	0.95	2.6	7425	560	55	1.05	2.9	6497	490	53	1.20	3.3			5675	428	55	1.40	3.8	5052	381			55	1.55	4.4	4283	323			56	1.85	4.9	3859	291		57	2.05		5.6	3381	255			57			2.35			6.4	2957	223			57	2.70	6.6			301	21.60	16	4.70																																																																	
0.77	24478	1846	128	1.5	1.0	19028			1435	128	1.9			1.2	15766	1189			128	2.3	1.2			15302	1154	128	2.4	1.5			12690	957	128	2.9	0.86			22144	1670	114	0.80	GR109 GRF109	4P	4.6			4314	203.16			27			0.95	0.99					19068	1438	114	0.95	1.1			16959	1279	114	1.05	1.3	14891	1123	114	1.20			1.4	13247	999	114	1.35	1.7	11417	861	114	1.55	1.9	10077	760	114	1.75			2.2	8698	656			114	2.05	2.7	7067	533			68	1.85	3.1	6126	462	68	2.10	3.4	5649			426	69	2.30	3.9	4880			368			69			2.70			4.4	4323	326	70	3.05	1.2	15461	1166	37	0.85	GR109 GRF109	6P	1.4	13644	1029	58	0.95			1.6	11788	889	65	1.10			1.8	10396	784	64	1.25			2.1	9216	695			65	1.45	2.3	8208	619	66	1.60	2.6	7399	558	67	1.75	2.9	6484	489	68	2.00			2.0	9269	699	42	0.85			GR109 GRF109	4P	2.3	8075	609					50	0.95	2.0					9680	730	34					0.80	2.3	8340	629	49	0.95							2.6			7425	560	55	1.05	2.9	6497	490	53	1.20	3.3	5675	428	55	1.40	3.8			5052	381	55	1.55	4.4	4283	323			56	1.85	4.9	3859	291			57	2.05	5.6	3381	255		57	2.35		6.4	2957	223	57	2.70	6.6			301			21.60	16	4.70																																																																												
1.0	19028	1435	128	1.9	1.2	15766			1189	128	2.3			1.2	15302	1154			128	2.4	1.5			12690	957	128	2.9	0.86			22144	1670	114	0.80	GR109 GRF109			4P	4.6	4314	203.16			27			0.95	0.99			19068			1438	114		0.95	1.1		16959	1279	114	1.05	1.3			14891	1123	114	1.20	1.4	13247	999	114	1.35			1.7	11417	861	114	1.55	1.9	10077	760	114	1.75	2.2	8698	656	114	2.05			2.7	7067	533			68	1.85	3.1	6126	462			68	2.10	3.4	5649	426	69	2.30	3.9	4880			368	69	2.70	4.4	4323			326			70			3.05	1.2	15461	1166	37	0.85	GR109 GRF109	6P	1.4	13644	1029	58	0.95			1.6	11788	889	65	1.10			1.8	10396	784	64	1.25			2.1	9216	695	65	1.45			2.3	8208	619			66	1.60	2.6	7399	558	67	1.75	2.9	6484	489	68	2.00	2.0	9269	699	42	0.85			GR109 GRF109	4P	2.3	8075	609					50	0.95	2.0					9680	730	34					0.80	2.3	8340				629	49	0.95	2.6	7425	560	55	1.05						2.9			6497	490	53	1.20	3.3	5675	428	55	1.40	3.8	5052	381	55	1.55	4.4			4283	323	56	1.85	4.9	3859	291			57	2.05	5.6	3381	255			57	2.35	6.4	2957	223		57	2.70		6.6	301	21.60	16	4.70																																																																																					
1.2	15766	1189	128	2.3	1.2	15302			1154	128	2.4			1.5	12690	957			128	2.9	0.86			22144	1670	114	0.80	GR109 GRF109			4P	4.6	4314	203.16					27	0.95	0.99			19068			1438	114			0.95	1.1	16959	1279	114		1.05	1.3		14891	1123	114	1.20	1.4			13247	999	114	1.35	1.7	11417	861	114	1.55			1.9	10077	760	114	1.75	2.2	8698	656	114	2.05	2.7	7067	533	68	1.85			3.1	6126	462			68	2.10	3.4	5649	426			69	2.30	3.9	4880	368	69	2.70	4.4	4323			326	70	3.05	1.2	15461			1166			37	0.85	GR109 GRF109	6P	1.4	13644	1029	58	0.95			1.6	11788	889	65	1.10			1.8	10396	784	64	1.25			2.1	9216	695	65	1.45			2.3	8208	619	66	1.60			2.6	7399	558			67	1.75	2.9	6484	489	68	2.00	2.0	9269	699	42	0.85	GR109 GRF109	4P	2.3	8075	609					50	0.95	2.0					9680	730	34					0.80	2.3	8340					629	49	0.95			2.6	7425	560	55	1.05	2.9	6497	490	53	1.20					3.3			5675	428	55	1.40	3.8	5052	381	55	1.55	4.4	4283	323	56	1.85	4.9			3859	291	57	2.05	5.6	3381	255			57	2.35	6.4	2957	223			57	2.70	6.6	301	21.60		16	4.70																																																																																											
1.2	15302	1154	128	2.4	1.5	12690			957	128	2.9			0.86	22144	1670			114	0.80	GR109 GRF109			4P	4.6	4314	203.16					27	0.95	0.99					19068	1438	114			0.95	1.1	16959	1279	114			1.05	1.3	14891	1123	114		1.20	1.4		13247	999	114	1.35	1.7			11417	861	114	1.55	1.9	10077	760	114	1.75			2.2	8698	656	114	2.05	2.7	7067	533	68	1.85	3.1	6126	462	68	2.10			3.4	5649	426			69	2.30	3.9	4880	368			69	2.70	4.4	4323	326	70	3.05	1.2	15461			1166	37	0.85	GR109 GRF109	6P			1.4	13644	1029	58	0.95			1.6	11788	889	65	1.10			1.8	10396	784	64	1.25			2.1	9216	695	65	1.45			2.3	8208	619	66	1.60			2.6	7399	558	67	1.75			2.9	6484	489			68	2.00	2.0	9269	699	42	0.85	GR109 GRF109	4P	2.3	8075	609			50	0.95	2.0					9680	730	34					0.80	2.3	8340					629	49	0.95					2.6	7425	560		55	1.05	2.9	6497	490	53	1.20	3.3	5675	428	55	1.40				3.8			5052	381	55	1.55	4.4	4283	323	56	1.85	4.9	3859	291	57	2.05	5.6			3381	255	57	2.35	6.4	2957	223			57	2.70	6.6	301	21.60			16	4.70																																																																																																	
1.5	12690	957	128	2.9	0.86	22144			1670	114	0.80			GR109 GRF109	4P	4.6			4314	203.16					27	0.95	0.99					19068	1438	114		0.95	1.1		16959	1279	114			1.05	1.3	14891	1123	114			1.20	1.4	13247	999	114		1.35	1.7		11417	861	114	1.55	1.9			10077	760	114	1.75	2.2	8698	656	114	2.05			2.7	7067	533	68	1.85	3.1	6126	462	68	2.10	3.4	5649	426	69	2.30			3.9	4880	368			69	2.70	4.4	4323	326			70	3.05	1.2	15461	1166	37	0.85	GR109 GRF109	6P			1.4	13644	1029			58	0.95	1.6	11788	889	65	1.10			1.8	10396	784	64	1.25			2.1	9216	695	65	1.45			2.3	8208	619	66	1.60			2.6	7399	558	67	1.75			2.9	6484	489	68	2.00			2.0	9269	699			42	0.85	GR109 GRF109	4P	2.3	8075	609			50	0.95	2.0			9680	730	34					0.80	2.3	8340					629	49	0.95					2.6	7425	560					55	1.05	2.9	6497	490	53	1.20	3.3	5675	428	55	1.40	3.8	5052	381	55	1.55			4.4			4283	323	56	1.85	4.9	3859	291	57	2.05	5.6	3381	255	57	2.35	6.4			2957	223	57	2.70	6.6	301	21.60			16	4.70																																																																																																								
0.86	22144	1670	114	0.80	GR109 GRF109	4P			4.6	4314	203.16					27			0.95	0.99					19068	1438	114		0.95	1.1		16959	1279	114		1.05	1.3		14891	1123	114			1.20	1.4	13247	999	114			1.35	1.7	11417	861	114		1.55	1.9		10077	760	114	1.75	2.2			8698	656	114	2.05	2.7	7067	533	68	1.85			3.1	6126	462	68	2.10	3.4	5649	426	69	2.30	3.9	4880	368	69	2.70			4.4	4323	326			70	3.05	1.2	15461	1166			37	0.85	GR109 GRF109	6P	1.4	13644	1029			58	0.95	1.6	11788	889			65	1.10	1.8	10396	784	64	1.25			2.1	9216	695	65	1.45			2.3	8208	619	66	1.60			2.6	7399	558	67	1.75			2.9	6484	489	68	2.00			2.0	9269	699	42	0.85			GR109 GRF109	4P	2.3			8075	609			50	0.95	2.0			9680	730	34			0.80	2.3	8340					629	49	0.95					2.6	7425	560					55	1.05	2.9	6497	490			53	1.20	3.3	5675	428	55	1.40	3.8	5052	381	55	1.55	4.4	4283	323	56	1.85			4.9			3859	291	57	2.05	5.6	3381	255	57	2.35	6.4	2957	223	57	2.70	6.6			301	21.60	16	4.70																																																																																																															
0.99	19068	1438	114	0.95					1.1	16959	1279					114			1.05	1.3		14891	1123		114	1.20	1.4		13247	999		114	1.35	1.7		11417	861		114	1.55	1.9			10077	760	114	1.75	2.2			8698	656	114	2.05	2.7		7067	533		68	1.85	3.1	6126	462			68	2.10	3.4	5649	426	69	2.30	3.9	4880			368	69	2.70	4.4	4323	326	70	3.05	1.2	15461	1166	37	0.85	GR109 GRF109	6P			1.4	13644	1029			58	0.95	1.6	11788	889	65	1.10	1.8	10396			784	64	1.25			2.1	9216	695	65	1.45			2.3	8208	619	66	1.60	2.6	7399			558	67	1.75	2.9	6484			489	68	2.00	2.0	9269			699	42	0.85	GR109 GRF109	4P			2.3	8075	609	50	0.95			2.0	9680	730	34	0.80					2.3			8340	629			49	0.95	2.6			7425	560	55			1.05	2.9	6497					490	53	1.20					3.3	5675	428	55	1.40			3.8	5052	381	55	1.55			4.4	4283	323	56	1.85	4.9	3859	291	57	2.05	5.6	3381	255	57	2.35	6.4	2957			223			57	2.70	6.6	301	21.60	16	4.70																																																																																																																													
1.1	16959	1279	114	1.05					1.3	14891	1123					114	1.20	1.4	13247	999		114	1.35		1.7	11417	861		114	1.55		1.9	10077	760		114	1.75		2.2	8698	656			114	2.05	2.7	7067	533			68	1.85	3.1	6126	462		68	2.10		3.4	5649	426	69	2.30			3.9	4880	368	69	2.70	4.4	4323	326	70			3.05	1.2	15461	1166	37	0.85	GR109 GRF109	6P	1.4	13644	1029	58	0.95					1.6	11788	889	65	1.10	1.8	10396	784	64	1.25	2.1	9216	695	65			1.45	2.3	8208			619	66	1.60	2.6	7399			558	67	1.75	2.9	6484	489	68			2.00	2.0	9269	699	42			0.85	GR109 GRF109	4P	2.3	8075			609	50	0.95					2.0	9680	730	34	0.80			2.3	8340	629	49	0.95					2.6			7425	560			55	1.05	2.9			6497	490	53			1.20	3.3	5675					428	55	1.40	3.8	5052			381	55	1.55	4.4	4283			323	56	1.85	4.9	3859			291	57	2.05	5.6	3381	255	57	2.35	6.4	2957	223	57	2.70	6.6	301	21.60	16			4.70																																																																																																																																						
1.3	14891	1123	114	1.20					1.4	13247	999	114	1.35			1.7	11417	861	114	1.55		1.9	10077		760	114	1.75		2.2	8698		656	114	2.05		2.7	7067		533	68	1.85			3.1	6126	462	68	2.10			3.4	5649	426	69	2.30		3.9	4880		368	69	2.70	4.4	4323			326	70	3.05	1.2	15461	1166	37	0.85	GR109 GRF109			6P	1.4	13644	1029	58	0.95			1.6	11788	889	65	1.10			1.8	10396	784	64	1.25	2.1	9216	695	65	1.45	2.3	8208	619	66	1.60	2.6			7399	558	67			1.75	2.9	6484	489	68			2.00	2.0	9269	699	42	0.85	GR109 GRF109			4P	2.3	8075	609	50			0.95			2.0	9680			730	34	0.80					2.3	8340	629	49	0.95			2.6	7425	560	55	1.05					2.9			6497	490			53	1.20	3.3			5675	428	55			1.40	3.8	5052	381	55			1.55	4.4	4283	323	56			1.85	4.9	3859	291	57			2.05	5.6	3381	255	57			2.35	6.4	2957	223	57	2.70	6.6	301	21.60	16	4.70																																																																																																																																															
1.4	13247	999	114	1.35			1.7	11417	861	114	1.55	1.9	10077			760	114	1.75	2.2	8698		656	114		2.05	2.7	7067		533	68		1.85	3.1	6126		462	68		2.10	3.4	5649			426	69	2.30	3.9	4880			368	69	2.70	4.4	4323		326	70		3.05	1.2	15461	1166	37			0.85	GR109 GRF109	6P	1.4	13644	1029	58	0.95					1.6	11788	889	65	1.10			1.8	10396	784	64	1.25			2.1	9216	695	65	1.45	2.3	8208	619	66	1.60	2.6	7399	558	67	1.75	2.9			6484	489	68			2.00	2.0	9269	699	42			0.85	GR109 GRF109	4P	2.3	8075	609					50	0.95	2.0	9680			730			34	0.80			2.3	8340	629					49	0.95	2.6	7425	560			55	1.05	2.9	6497	490					53			1.20	3.3			5675	428	55			1.40	3.8	5052			381	55	1.55	4.4	4283			323	56	1.85	4.9	3859			291	57	2.05	5.6	3381			255	57	2.35	6.4	2957			223	57	2.70	6.6	301	21.60	16	4.70																																																																																																																																																		
1.7	11417	861	114	1.55			1.9	10077	760	114	1.75	2.2	8698			656	114	2.05	2.7	7067		533	68		1.85	3.1	6126		462	68		2.10	3.4	5649		426	69		2.30	3.9	4880			368	69	2.70	4.4	4323			326	70	3.05	1.2	15461		1166	37		0.85	GR109 GRF109	6P	1.4	13644			1029			58	0.95	1.6	11788	889		65	1.10		1.8	10396	784	64	1.25			2.1	9216	695	65	1.45			2.3	8208	619	66	1.60	2.6	7399	558	67	1.75	2.9	6484	489	68	2.00	2.0			9269	699	42			0.85	GR109 GRF109	4P	2.3	8075			609			50	0.95	2.0					9680	730	34	0.80			2.3			8340	629			49	0.95	2.6					7425	560	55	1.05	2.9			6497	490	53	1.20	3.3					5675	428	55	1.40	3.8			5052	381	55			1.55	4.4	4283			323	56	1.85	4.9	3859			291	57	2.05	5.6	3381			255	57	2.35	6.4	2957			223	57	2.70	6.6	301			21.60	16	4.70																																																																																																																																																							
1.9	10077	760	114	1.75			2.2	8698	656	114	2.05	2.7	7067			533	68	1.85	3.1	6126		462	68		2.10	3.4	5649		426	69		2.30	3.9	4880		368	69		2.70	4.4	4323			326	70	3.05	1.2	15461			1166	37	0.85	GR109 GRF109	6P		1.4	13644		1029			58	0.95	1.6	11788	889			65	1.10	1.8	10396	784		64	1.25		2.1	9216	695	65	1.45			2.3	8208	619	66	1.60			2.6	7399	558	67	1.75	2.9	6484	489	68	2.00	2.0	9269	699	42	0.85	GR109 GRF109			4P	2.3	8075			609			50	0.95			2.0			9680	730	34					0.80	2.3	8340	629			49			0.95	2.6			7425	560	55					1.05	2.9	6497	490	53			1.20	3.3	5675	428	55	1.40	3.8			5052	381	55	1.55	4.4			4283	323	56			1.85	4.9	3859			291	57	2.05	5.6	3381			255	57	2.35	6.4	2957			223	57	2.70	6.6	301			21.60	16	4.70																																																																																																																																																														
2.2	8698	656	114	2.05			2.7	7067	533	68	1.85	3.1	6126			462	68	2.10	3.4	5649		426	69		2.30	3.9	4880		368	69		2.70	4.4	4323		326	70		3.05	1.2	15461			1166	37	0.85	GR109 GRF109	6P			1.4	13644	1029			58	0.95	1.6	11788	889			65	1.10	1.8	10396	784			64	1.25	2.1	9216	695		65	1.45		2.3	8208	619	66	1.60			2.6	7399	558	67	1.75			2.9	6484	489	68	2.00	2.0	9269	699	42	0.85	GR109 GRF109	4P	2.3	8075	609					50	0.95			2.0			9680	730			34			0.80	2.3	8340					629	49	0.95	2.6			7425			560	55			1.05	2.9	6497					490	53	1.20	3.3	5675	428	55	1.40	3.8	5052	381	55	1.55	4.4			4283	323	56	1.85	4.9			3859	291	57			2.05	5.6	3381			255	57	2.35	6.4	2957			223	57	2.70	6.6	301			21.60	16	4.70																																																																																																																																																																					
2.7	7067	533	68	1.85			3.1	6126	462	68	2.10	3.4	5649			426	69	2.30	3.9	4880		368	69		2.70	4.4	4323		326	70		3.05	1.2	15461		1166	37		0.85	GR109 GRF109	6P			1.4	13644	1029			58	0.95	1.6	11788	889			65	1.10	1.8	10396	784			64	1.25	2.1	9216	695			65	1.45	2.3	8208	619		66	1.60		2.6	7399	558	67	1.75			2.9	6484	489	68	2.00			2.0	9269	699	42	0.85	GR109 GRF109	4P	2.3	8075	609			50	0.95	2.0					9680	730			34			0.80	2.3			8340			629	49	0.95					2.6	7425	560	55			1.05			2.9	6497			490	53	1.20			3.3	5675	428	55	1.40	3.8	5052	381	55	1.55	4.4	4283	323	56	1.85	4.9			3859	291	57	2.05	5.6			3381	255	57			2.35	6.4	2957			223	57	2.70	6.6	301			21.60	16	4.70																																																																																																																																																																												
3.1	6126	462	68	2.10			3.4	5649	426	69	2.30	3.9	4880			368	69	2.70	4.4	4323		326	70		3.05	1.2	15461		1166	37		0.85	GR109 GRF109	6P		1.4	13644		1029			58	0.95	1.6	11788	889			65	1.10	1.8	10396	784			64	1.25	2.1	9216	695			65	1.45	2.3	8208	619			66	1.60	2.6	7399	558		67	1.75		2.9	6484	489	68	2.00			2.0	9269	699	42	0.85			GR109 GRF109	4P	2.3	8075	609			50	0.95	2.0			9680	730	34					0.80	2.3			8340			629	49			0.95			2.6	7425	560					55	1.05	2.9	6497			490			53	1.20	3.3	5675	428	55	1.40			3.8	5052	381	55	1.55	4.4	4283	323	56	1.85	4.9	3859	291	57	2.05	5.6			3381	255	57	2.35	6.4			2957	223	57			2.70	6.6	301			21.60	16	4.70																																																																																																																																																																																			
3.4	5649	426	69	2.30			3.9	4880	368	69	2.70	4.4	4323			326	70	3.05	1.2	15461		1166	37		0.85	GR109 GRF109	6P		1.4	13644		1029			58	0.95	1.6	11788	889			65	1.10	1.8	10396	784			64	1.25	2.1	9216	695			65	1.45	2.3	8208	619			66	1.60	2.6	7399	558			67	1.75	2.9	6484	489		68	2.00		2.0	9269	699	42	0.85			GR109 GRF109	4P	2.3	8075	609					50	0.95	2.0			9680	730	34			0.80	2.3	8340					629	49			0.95			2.6	7425			560			55	1.05	2.9					6497	490	53	1.20	3.3	5675	428			55	1.40	3.8	5052	381	55	1.55			4.4	4283	323	56	1.85	4.9	3859	291	57	2.05	5.6	3381	255	57	2.35	6.4			2957	223	57	2.70	6.6			301	21.60	16			4.70																																																																																																																																																																																										
3.9	4880	368	69	2.70			4.4	4323	326	70	3.05	1.2	15461			1166	37	0.85	GR109 GRF109	6P		1.4	13644		1029			58	0.95	1.6	11788	889			65	1.10	1.8	10396	784			64	1.25	2.1	9216	695			65	1.45	2.3	8208	619			66	1.60	2.6	7399	558			67	1.75	2.9	6484	489			68	2.00	2.0	9269	699		42	0.85		GR109 GRF109	4P	2.3	8075	609					50	0.95	2.0					9680	730	34			0.80	2.3	8340			629	49	0.95					2.6	7425			560			55	1.05			2.9			6497	490	53		1.20	3.3		5675	428	55	1.40	3.8	5052	381			55	1.55	4.4	4283	323	56	1.85			4.9	3859	291	57	2.05	5.6	3381	255	57	2.35	6.4	2957	223	57	2.70	6.6			301	21.60	16	4.70																																																																																																																																																																																																			
4.4	4323	326	70	3.05			1.2	15461	1166	37	0.85	GR109 GRF109	6P			1.4	13644	1029			58	0.95	1.6	11788	889			65	1.10	1.8	10396	784			64	1.25	2.1	9216	695			65	1.45	2.3	8208	619			66	1.60	2.6	7399	558			67	1.75	2.9	6484	489			68	2.00	2.0	9269	699			42	0.85	GR109 GRF109	4P	2.3		8075	609				50	0.95	2.0					9680	730	34					0.80	2.3	8340			629	49	0.95			2.6	7425	560					55	1.05			2.9			6497	490	53	1.20	3.3			5675	428	55		1.40	3.8		5052	381	55	1.55	4.4	4283	323			56	1.85	4.9	3859	291	57	2.05			5.6	3381	255	57	2.35	6.4	2957	223	57	2.70	6.6	301	21.60	16	4.70																																																																																																																																																																																																										
1.2	15461	1166	37	0.85			GR109 GRF109	6P	1.4	13644	1029			58	0.95	1.6	11788	889			65	1.10	1.8	10396	784			64	1.25	2.1	9216	695			65	1.45	2.3	8208	619			66	1.60	2.6	7399	558			67	1.75	2.9	6484	489			68	2.00	2.0	9269	699			42	0.85	GR109 GRF109	4P	2.3			8075	609			50		0.95	2.0				9680	730	34					0.80	2.3	8340					629	49	0.95			2.6	7425	560			55	1.05	2.9					6497	490	53	1.20	3.3			5675	428	55	1.40	3.8			5052	381	55		1.55	4.4		4283	323	56	1.85	4.9	3859	291			57	2.05	5.6	3381	255	57	2.35			6.4	2957	223	57	2.70	6.6	301	21.60	16	4.70																																																																																																																																																																																																															
1.4	13644	1029	58	0.95	1.6	11788			889	65	1.10			1.8	10396	784	64	1.25			2.1	9216	695	65	1.45			2.3	8208	619	66	1.60			2.6	7399	558	67	1.75			2.9	6484	489	68	2.00			2.0	9269	699	42	0.85			GR109 GRF109	4P	2.3	8075	609			50	0.95			2.0			9680	730			34		0.80	2.3				8340	629	49					0.95	2.6	7425					560	55	1.05			2.9	6497	490			53	1.20	3.3		5675	428		55	1.40	3.8	5052	381			55	1.55	4.4	4283	323			56	1.85	4.9		3859	291		57	2.05	5.6	3381	255	57	2.35			6.4	2957	223	57	2.70	6.6	301			21.60	16	4.70																																																																																																																																																																																																																						
1.6	11788	889	65	1.10	1.8	10396			784	64	1.25			2.1	9216	695	65	1.45			2.3	8208	619	66	1.60			2.6	7399	558	67	1.75			2.9	6484	489	68	2.00			2.0	9269	699	42	0.85			GR109 GRF109	4P	2.3	8075	609					50	0.95	2.0			9680	730			34			0.80	2.3			8340		629	49				0.95	2.6	7425					560	55	1.05	2.9	6497			490	53	1.20			3.3	5675	428			55	1.40	3.8		5052	381		55	1.55	4.4	4283	323			56	1.85	4.9	3859	291			57	2.05	5.6		3381	255		57	2.35	6.4	2957	223	57	2.70			6.6	301	21.60	16	4.70																																																																																																																																																																																																																													
1.8	10396	784	64	1.25	2.1	9216			695	65	1.45			2.3	8208	619	66	1.60			2.6	7399	558	67	1.75			2.9	6484	489	68	2.00			2.0	9269	699	42	0.85			GR109 GRF109	4P	2.3	8075	609					50	0.95	2.0					9680	730	34			0.80	2.3			8340			629	49			0.95		2.6	7425				560	55	1.05	2.9	6497			490	53	1.20	3.3	5675			428	55	1.40			3.8	5052	381			55	1.55	4.4		4283	323		56	1.85	4.9	3859	291			57	2.05	5.6	3381	255			57	2.35	6.4		2957	223		57	2.70	6.6	301	21.60	16	4.70																																																																																																																																																																																																																																				
2.1	9216	695	65	1.45	2.3	8208			619	66	1.60			2.6	7399	558	67	1.75			2.9	6484	489	68	2.00			2.0	9269	699	42	0.85			GR109 GRF109	4P	2.3	8075	609					50	0.95	2.0					9680	730	34					0.80	2.3	8340			629	49			0.95			2.6	7425			560	55	1.05	2.9	6497			490	53	1.20	3.3	5675			428	55	1.40	3.8	5052			381	55	1.55			4.4	4283	323			56	1.85	4.9		3859	291		57	2.05	5.6	3381	255			57	2.35	6.4	2957	223			57	2.70	6.6	301	21.60	16	4.70																																																																																																																																																																																																																																											
2.3	8208	619	66	1.60	2.6	7399			558	67	1.75			2.9	6484	489	68	2.00			2.0	9269	699	42	0.85			GR109 GRF109	4P	2.3	8075	609					50	0.95	2.0					9680	730	34					0.80	2.3	8340					629	49	0.95			2.6	7425			560	55	1.05	2.9	6497			490	53	1.20	3.3	5675			428	55	1.40	3.8	5052			381	55	1.55	4.4	4283			323	56	1.85			4.9	3859	291			57	2.05	5.6		3381	255		57	2.35	6.4	2957	223			57	2.70	6.6	301	21.60	16	4.70																																																																																																																																																																																																																																																		
2.6	7399	558	67	1.75	2.9	6484			489	68	2.00			2.0	9269	699	42	0.85			GR109 GRF109	4P	2.3	8075	609					50	0.95	2.0					9680	730	34					0.80	2.3	8340					629	49	0.95					2.6	7425	560	55	1.05	2.9	6497			490	53	1.20	3.3	5675			428	55	1.40	3.8	5052			381	55	1.55	4.4	4283			323	56	1.85	4.9	3859			291	57	2.05			5.6	3381	255			57	2.35	6.4		2957	223		57	2.70	6.6	301	21.60	16	4.70																																																																																																																																																																																																																																																									
2.9	6484	489	68	2.00	2.0	9269			699	42	0.85			GR109 GRF109	4P	2.3	8075	609					50	0.95	2.0					9680	730	34					0.80	2.3	8340					629	49	0.95					2.6	7425	560	55	1.05			2.9	6497	490	53	1.20	3.3	5675			428	55	1.40	3.8	5052			381	55	1.55	4.4	4283			323	56	1.85	4.9	3859			291	57	2.05	5.6	3381			255	57	2.35			6.4	2957	223			57	2.70	6.6	301	21.60	16	4.70																																																																																																																																																																																																																																																																
2.0	9269	699	42	0.85	GR109 GRF109	4P			2.3	8075	609					50	0.95	2.0					9680	730	34					0.80	2.3	8340					629	49	0.95					2.6	7425	560	55	1.05			2.9	6497	490	53	1.20			3.3	5675	428	55	1.40	3.8	5052			381	55	1.55	4.4	4283			323	56	1.85	4.9	3859			291	57	2.05	5.6	3381			255	57	2.35	6.4	2957			223	57	2.70			6.6	301	21.60	16	4.70																																																																																																																																																																																																																																																																							
2.3	8075	609	50	0.95					2.0	9680	730					34	0.80	2.3					8340	629	49					0.95	2.6	7425					560	55	1.05	2.9	6497			490	53	1.20	3.3	5675			428	55	1.40	3.8	5052			381	55	1.55	4.4	4283	323	56			1.85	4.9	3859	291	57			2.05	5.6	3381	255	57			2.35	6.4	2957	223	57			2.70	6.6	301	21.60	16			4.70																																																																																																																																																																																																																																																																																
2.0	9680	730	34	0.80					2.3	8340	629					49	0.95	2.6					7425	560	55					1.05	2.9	6497	490	53			1.20	3.3	5675	428	55			1.40	3.8	5052	381	55			1.55	4.4	4283	323	56			1.85	4.9	3859	291	57	2.05	5.6			3381	255	57	2.35	6.4			2957	223	57	2.70	6.6			301	21.60	16	4.70																																																																																																																																																																																																																																																																																											
2.3	8340	629	49	0.95					2.6	7425	560					55	1.05	2.9					6497	490	53	1.20	3.3			5675	428	55	1.40	3.8			5052	381	55	1.55	4.4			4283	323	56	1.85	4.9			3859	291	57	2.05	5.6			3381	255	57	2.35	6.4	2957	223			57	2.70	6.6	301	21.60			16	4.70																																																																																																																																																																																																																																																																																																				
2.6	7425	560	55	1.05					2.9	6497	490					53	1.20	3.3	5675	428			55	1.40	3.8	5052	381			55	1.55	4.4	4283	323			56	1.85	4.9	3859	291			57	2.05	5.6	3381	255			57	2.35	6.4	2957	223			57	2.70	6.6	301	21.60	16	4.70																																																																																																																																																																																																																																																																																																															
2.9	6497	490	53	1.20					3.3	5675	428	55	1.40			3.8	5052	381	55	1.55			4.4	4283	323	56	1.85			4.9	3859	291	57	2.05			5.6	3381	255	57	2.35			6.4	2957	223	57	2.70			6.6	301	21.60	16	4.70																																																																																																																																																																																																																																																																																																																								
3.3	5675	428	55	1.40			3.8	5052	381	55	1.55	4.4	4283			323	56	1.85	4.9	3859			291	57	2.05	5.6	3381			255	57	2.35	6.4	2957			223	57	2.70	6.6	301			21.60	16	4.70																																																																																																																																																																																																																																																																																																																																	
3.8	5052	381	55	1.55			4.4	4283	323	56	1.85	4.9	3859			291	57	2.05	5.6	3381			255	57	2.35	6.4	2957			223	57	2.70	6.6	301			21.60	16	4.70																																																																																																																																																																																																																																																																																																																																								
4.4	4283	323	56	1.85			4.9	3859	291	57	2.05	5.6	3381			255	57	2.35	6.4	2957			223	57	2.70	6.6	301			21.60	16	4.70																																																																																																																																																																																																																																																																																																																																															
4.9	3859	291	57	2.05			5.6	3381	255	57	2.35	6.4	2957			223	57	2.70	6.6	301			21.60	16	4.70																																																																																																																																																																																																																																																																																																																																																						
5.6	3381	255	57	2.35			6.4	2957	223	57	2.70	6.6	301			21.60	16	4.70																																																																																																																																																																																																																																																																																																																																																													
6.4	2957	223	57	2.70			6.6	301	21.60	16	4.70																																																																																																																																																																																																																																																																																																																																																																				
6.6	301	21.60	16	4.70																																																																																																																																																																																																																																																																																																																																																																											

选型参数表
(恒功率) 2.2kW
Selection Table
(Constant Power) 2.2kW

n_a [r/min]	M_a [Nm]	i	F_{Ra} [kN]	f_B	机型号 Type size	极数 Pole	n_a [r/min]	M_a [Nm]	i	F_{Ra} [kN]	f_B	机型号 Type size	极数 Pole																																																																																																																																																																																																																																																																																																																																																																																																																																																					
2.2kW							2.2kW																																																																																																																																																																																																																																																																																																																																																																																																																																																											
22	918	65.77	5.2	0.85	GR79 GRF79	4P	122	164	23.28	3.1	1.70	GR49 GRF49	2P																																																																																																																																																																																																																																																																																																																																																																																																																																																					
25	805	57.68	9.1	0.95			27	727	52.07	10	1.05			31	639	45.81	10	1.20	33	604	43.26	11	1.25	39	514	36.83	11	1.50	43	467	33.47	11	1.65	49	405	29.00	11	1.90	57	352	25.23	11	2.10	61	326	23.37	11	2.30	67	299	21.43	11	2.60	GR79 GRF79	4P	92	211	15.60	1.0	0.85	GR39 GRF39	4P	76	262	18.80	10	2.80	80	249	17.82	10	2.90	92	218	15.60	10	3.20	102	196	14.05	9.4	3.40	36	557	39.88	7.2	1.00	GR69 GRF69	4P	108	179	13.25	1.6	0.95	38	523	37.50	7.6	1.00	44	450	32.27	8.3	1.10	50	402	28.83	8.7	1.20	61	327	23.44	8.7	1.60	GR69 GRF69	4P	121	160	11.83	1.9	1.05	72	278	19.89	8.3	2.00	80	251	17.95	8.1	2.20	91	220	15.79	7.8	2.40	96	208	14.91	7.7	2.50	113	177	12.70	7.4	2.80	124	161	11.54	7.2	2.90	143	140	10.00	6.9	3.20	164	121	8.70	6.6	3.40	184	109	7.79	6.4	3.30	38	521	37.30	4.3	0.80	GR59 GRF59	4P	141	137	10.11	2.2	1.15	41	489	35.07	4.9	0.85	47	421	30.18	4.8	1.00	53	376	26.97	4.7	1.10	65	306	21.93	4.6	1.40	GR59 GRF59	4P	151	128	9.47	2.4	1.20	77	260	18.60	4.4	1.60	85	234	16.79	4.3	1.80	97	206	14.77	4.2	2.00	103	195	13.95	4.2	2.10	120	166	11.88	4.0	2.30	133	151	10.79	3.9	2.40	153	131	9.35	3.8	2.70	158	126	9.06	3.8	2.80	179	111	7.97	3.7	3.00	108	185	26.31	4.2	2.20	GR59 GRF59	2P	157	123	18.05	2.4	1.45	114	176	24.99	4.1	2.30	130	154	21.93	4.0	2.70	153	131	18.60	3.8	3.10	169	118	16.79	3.7	3.50	192	104	14.77	3.6	3.80	204	98	13.95	3.6	4.00	74	269	19.27	3.4	1.05	88	226	16.22	3.3	1.15	98	203	14.56	3.2	1.20	114	175	12.54	3.1	1.35	121	165	11.79	3.1	1.40	141	142	10.15	3.0	1.50	158	127	9.07	2.9	1.65	185	108	7.75	2.8	1.40	205	97	6.96	2.7	1.55	238	84	6.00	2.6	1.75	254	79	5.64	2.6	1.85	295	68	4.85	2.5	2.10	329	61	4.34	2.4	2.30	386	52	3.70	2.3	2.50	302	68	4.73	4.9	1.75	354	58	4.04	4.7	2.40	386	53	3.70	4.6	2.80	440	47	3.25	4.4	3.80	464	44	3.08	4.3	4.20	530	39	2.70	4.2	5.30	588	35	2.43	4.0	5.90	671	31	2.13	3.9	6.30	761	27	1.88	3.7	6.70	856	24	1.67	3.6	7.00	1007	20	1.42	3.4	7.30																																	
27	727	52.07	10	1.05			31	639	45.81	10	1.20			33	604	43.26	11	1.25	39	514	36.83	11	1.50	43	467	33.47	11	1.65	49	405	29.00	11	1.90	57	352	25.23	11	2.10	61	326	23.37	11	2.30	67	299	21.43	11	2.60	GR79 GRF79	4P	92	211	15.60			1.0	0.85	GR39 GRF39	4P	76			262	18.80	10	2.80	80	249	17.82	10	2.90	92	218	15.60	10	3.20	102	196	14.05	9.4	3.40	36	557	39.88	7.2	1.00	GR69 GRF69			4P	108	179	13.25	1.6	0.95	38	523	37.50	7.6	1.00	44	450	32.27	8.3	1.10	50	402	28.83	8.7	1.20	61	327	23.44	8.7			1.60	GR69 GRF69	4P	121	160	11.83	1.9	1.05	72	278	19.89	8.3	2.00	80	251	17.95	8.1	2.20	91	220	15.79	7.8	2.40	96	208	14.91	7.7	2.50	113	177	12.70	7.4	2.80	124	161	11.54	7.2	2.90	143	140	10.00	6.9	3.20	164	121	8.70	6.6	3.40	184	109	7.79	6.4	3.30	38	521			37.30	4.3	0.80	GR59 GRF59	4P	141	137	10.11	2.2	1.15	41	489	35.07	4.9	0.85	47	421	30.18	4.8	1.00	53	376	26.97	4.7	1.10			65	306	21.93	4.6	1.40	GR59 GRF59	4P	151	128	9.47	2.4	1.20	77	260	18.60	4.4	1.60	85	234	16.79	4.3	1.80	97	206	14.77	4.2	2.00	103	195	13.95	4.2	2.10	120	166	11.88	4.0	2.30	133	151	10.79	3.9	2.40	153	131	9.35	3.8	2.70	158	126	9.06	3.8	2.80	179	111	7.97			3.7	3.00	108	185	26.31	4.2	2.20	GR59 GRF59	2P	157	123	18.05	2.4	1.45	114	176	24.99	4.1	2.30	130	154	21.93	4.0	2.70	153	131	18.60	3.8	3.10	169	118	16.79	3.7	3.50	192	104	14.77	3.6	3.80	204	98	13.95	3.6	4.00	74	269	19.27	3.4	1.05	88	226	16.22	3.3	1.15	98	203	14.56	3.2	1.20	114	175	12.54	3.1	1.35	121	165	11.79	3.1	1.40	141	142	10.15	3.0	1.50	158	127	9.07	2.9	1.65	185	108	7.75	2.8	1.40	205	97	6.96	2.7	1.55	238	84	6.00	2.6	1.75	254	79	5.64	2.6	1.85	295	68	4.85	2.5	2.10	329	61	4.34	2.4	2.30	386	52	3.70	2.3	2.50	302	68	4.73	4.9	1.75	354	58	4.04	4.7	2.40	386	53	3.70	4.6	2.80	440	47	3.25	4.4	3.80	464	44	3.08	4.3	4.20	530	39	2.70	4.2	5.30	588	35	2.43	4.0	5.90	671	31	2.13	3.9	6.30	761	27	1.88	3.7	6.70	856	24	1.67	3.6	7.00	1007	20	1.42	3.4	7.30																								
31	639	45.81	10	1.20			33	604	43.26	11	1.25			39	514	36.83	11	1.50	43	467	33.47	11	1.65	49	405	29.00	11	1.90	57	352	25.23	11	2.10	61	326	23.37	11	2.30	67	299	21.43	11	2.60	GR79 GRF79	4P	92	211	15.60			1.0	0.85	GR39 GRF39			4P	76			262			18.80	10	2.80	80	249	17.82	10	2.90	92	218	15.60	10	3.20	102	196	14.05	9.4	3.40	36	557	39.88	7.2	1.00	GR69 GRF69					4P	108	179	13.25	1.6	0.95	38	523	37.50	7.6	1.00	44	450	32.27	8.3	1.10	50	402	28.83	8.7	1.20	61	327	23.44			8.7			1.60	GR69 GRF69	4P	121	160	11.83	1.9	1.05	72	278	19.89	8.3	2.00	80	251	17.95	8.1	2.20	91	220	15.79	7.8	2.40	96	208	14.91	7.7	2.50	113	177	12.70	7.4	2.80	124	161	11.54	7.2	2.90	143	140	10.00	6.9	3.20	164	121	8.70	6.6	3.40	184	109	7.79	6.4			3.30	38	521			37.30	4.3	0.80	GR59 GRF59	4P	141	137	10.11	2.2	1.15	41	489	35.07	4.9	0.85	47	421	30.18	4.8	1.00			53	376	26.97	4.7	1.10			65	306	21.93	4.6	1.40	GR59 GRF59	4P	151	128	9.47	2.4	1.20	77	260	18.60	4.4	1.60	85	234	16.79	4.3	1.80	97	206	14.77	4.2	2.00	103	195	13.95	4.2	2.10	120	166	11.88	4.0	2.30	133	151	10.79	3.9	2.40	153	131	9.35	3.8	2.70	158			126	9.06	3.8	2.80	179	111	7.97			3.7	3.00	108	185	26.31	4.2	2.20	GR59 GRF59	2P	157	123	18.05	2.4	1.45	114	176	24.99	4.1	2.30	130	154	21.93	4.0	2.70	153	131	18.60	3.8	3.10	169	118	16.79	3.7	3.50	192	104	14.77	3.6	3.80	204	98	13.95	3.6	4.00	74	269	19.27	3.4	1.05	88	226	16.22	3.3	1.15	98	203	14.56	3.2	1.20	114	175	12.54	3.1	1.35	121	165	11.79	3.1	1.40	141	142	10.15	3.0	1.50	158	127	9.07	2.9	1.65	185	108	7.75	2.8	1.40	205	97	6.96	2.7	1.55	238	84	6.00	2.6	1.75	254	79	5.64	2.6	1.85	295	68	4.85	2.5	2.10	329	61	4.34	2.4	2.30	386	52	3.70	2.3	2.50	302	68	4.73	4.9	1.75	354	58	4.04	4.7	2.40	386	53	3.70	4.6	2.80	440	47	3.25	4.4	3.80	464	44	3.08	4.3	4.20	530	39	2.70	4.2	5.30	588	35	2.43	4.0	5.90	671	31	2.13	3.9	6.30	761	27	1.88	3.7	6.70	856	24	1.67	3.6	7.00	1007	20	1.42	3.4	7.30															
33	604	43.26	11	1.25			39	514	36.83	11	1.50			43	467	33.47	11	1.65	49	405	29.00	11	1.90	57	352	25.23	11	2.10	61	326	23.37	11	2.30	67	299	21.43	11	2.60	GR79 GRF79	4P	92	211	15.60			1.0	0.85	GR39 GRF39			4P	76					262			18.80			10	2.80	80	249	17.82	10	2.90	92	218	15.60	10	3.20	102	196	14.05	9.4	3.40	36	557	39.88	7.2	1.00	GR69 GRF69							4P	108	179	13.25	1.6	0.95	38	523	37.50	7.6	1.00	44	450	32.27	8.3	1.10	50	402	28.83	8.7	1.20	61	327			23.44			8.7			1.60	GR69 GRF69	4P	121	160	11.83	1.9	1.05	72	278	19.89	8.3	2.00	80	251	17.95	8.1	2.20	91	220	15.79	7.8	2.40	96	208	14.91	7.7	2.50	113	177	12.70	7.4	2.80	124	161	11.54	7.2	2.90	143	140	10.00	6.9	3.20	164	121	8.70	6.6	3.40	184			109	7.79	6.4			3.30	38	521			37.30	4.3	0.80	GR59 GRF59	4P	141	137	10.11	2.2	1.15	41	489	35.07	4.9	0.85			47	421	30.18	4.8	1.00			53	376	26.97	4.7	1.10			65	306	21.93	4.6	1.40	GR59 GRF59	4P	151	128	9.47	2.4	1.20	77	260	18.60	4.4	1.60	85	234	16.79	4.3	1.80	97	206	14.77	4.2	2.00	103	195	13.95	4.2	2.10	120	166	11.88	4.0	2.30	133	151	10.79	3.9			2.40	153	131	9.35	3.8	2.70	158			126	9.06	3.8	2.80	179	111	7.97			3.7	3.00	108	185	26.31	4.2	2.20	GR59 GRF59	2P	157	123	18.05	2.4	1.45	114	176	24.99	4.1	2.30	130	154	21.93	4.0	2.70	153	131	18.60	3.8	3.10	169	118	16.79	3.7	3.50	192	104	14.77	3.6	3.80	204	98	13.95	3.6	4.00	74	269	19.27	3.4	1.05	88	226	16.22	3.3	1.15	98	203	14.56	3.2	1.20	114	175	12.54	3.1	1.35	121	165	11.79	3.1	1.40	141	142	10.15	3.0	1.50	158	127	9.07	2.9	1.65	185	108	7.75	2.8	1.40	205	97	6.96	2.7	1.55	238	84	6.00	2.6	1.75	254	79	5.64	2.6	1.85	295	68	4.85	2.5	2.10	329	61	4.34	2.4	2.30	386	52	3.70	2.3	2.50	302	68	4.73	4.9	1.75	354	58	4.04	4.7	2.40	386	53	3.70	4.6	2.80	440	47	3.25	4.4	3.80	464	44	3.08	4.3	4.20	530	39	2.70	4.2	5.30	588	35	2.43	4.0	5.90	671	31	2.13	3.9	6.30	761	27	1.88	3.7	6.70	856	24	1.67	3.6	7.00	1007	20	1.42	3.4	7.30						
39	514	36.83	11	1.50			43	467	33.47	11	1.65			49	405	29.00	11	1.90	57	352	25.23	11	2.10	61	326	23.37	11	2.30	67	299	21.43	11	2.60	GR79 GRF79	4P	92	211	15.60			1.0	0.85	GR39 GRF39			4P	76					262		18.80	10		2.80			80			249	17.82	10	2.90	92	218	15.60	10	3.20	102	196	14.05	9.4	3.40	36	557	39.88	7.2	1.00	GR69 GRF69	4P	108				179	13.25				1.6	0.95	38	523	37.50	7.6	1.00	44	450	32.27	8.3	1.10	50	402	28.83	8.7	1.20	61	327	23.44	8.7	1.60			GR69 GRF69			4P			121			160	11.83	1.9	1.05	72	278	19.89	8.3	2.00	80	251	17.95	8.1	2.20	91	220	15.79	7.8	2.40	96	208	14.91	7.7	2.50	113	177	12.70	7.4	2.80	124	161	11.54	7.2	2.90	143	140	10.00	6.9	3.20	164	121	8.70	6.6	3.40	184	109	7.79	6.4	3.30	38	521			37.30	4.3	0.80			GR59 GRF59	4P	141			137	10.11	2.2	1.15	41	489	35.07	4.9	0.85	47			421	30.18	4.8	1.00	53			376	26.97	4.7	1.10	65			306	21.93	4.6	1.40	GR59 GRF59			4P	151	128	9.47	2.4	1.20	77	260	18.60	4.4	1.60	85	234	16.79	4.3	1.80	97	206	14.77	4.2	2.00	103	195	13.95	4.2	2.10	120	166	11.88	4.0	2.30	133	151	10.79			3.9	2.40	153	131	9.35	3.8	2.70			158	126	9.06	3.8	2.80	179	111			7.97	3.7	3.00	108	185	26.31	4.2			2.20	GR59 GRF59	2P	157	123	18.05	2.4	1.45	114	176	24.99	4.1	2.30	130	154	21.93	4.0	2.70	153	131	18.60	3.8	3.10	169	118	16.79	3.7	3.50	192	104	14.77	3.6	3.80	204	98	13.95	3.6	4.00	74	269	19.27	3.4	1.05	88	226	16.22	3.3	1.15	98	203	14.56	3.2	1.20	114	175	12.54	3.1	1.35	121	165	11.79	3.1	1.40	141	142	10.15	3.0	1.50	158	127	9.07	2.9	1.65	185	108	7.75	2.8	1.40	205	97	6.96	2.7	1.55	238	84	6.00	2.6	1.75	254	79	5.64	2.6	1.85	295	68	4.85	2.5	2.10	329	61	4.34	2.4	2.30	386	52	3.70	2.3	2.50	302	68	4.73	4.9	1.75	354	58	4.04	4.7	2.40	386	53	3.70	4.6	2.80	440	47	3.25	4.4	3.80	464	44	3.08	4.3	4.20	530	39	2.70	4.2	5.30	588	35	2.43	4.0	5.90	671	31	2.13	3.9	6.30	761	27	1.88	3.7	6.70	856	24	1.67	3.6	7.00	1007	20	1.42	3.4	7.30			
43	467	33.47	11	1.65			49	405	29.00	11	1.90			57	352	25.23	11	2.10	61	326	23.37	11	2.30	67	299	21.43	11	2.60	GR79 GRF79	4P	92	211	15.60			1.0	0.85	GR39 GRF39			4P	76					262		18.80	10		2.80		80	249		17.82			10			2.90	92	218	15.60	10	3.20	102	196	14.05	9.4	3.40	36	557	39.88	7.2	1.00	GR69 GRF69	4P	108			179			13.25	1.6	0.95	38			523	37.50	7.6	1.00	44	450	32.27	8.3	1.10	50	402	28.83	8.7	1.20	61	327	23.44	8.7	1.60	GR69 GRF69	4P	121									160			11.83	1.9	1.05	72	278	19.89	8.3	2.00	80	251	17.95	8.1	2.20	91	220	15.79	7.8	2.40	96	208	14.91	7.7	2.50	113	177	12.70	7.4	2.80	124	161	11.54	7.2	2.90	143	140	10.00	6.9	3.20	164	121	8.70	6.6	3.40	184	109	7.79	6.4	3.30	38	521	37.30	4.3	0.80	GR59 GRF59	4P	141					137			10.11	2.2	1.15	41	489	35.07	4.9	0.85	47	421			30.18	4.8	1.00	53	376			26.97	4.7	1.10	65	306			21.93	4.6	1.40	GR59 GRF59					4P	151	128	9.47	2.4	1.20	77	260	18.60	4.4	1.60	85	234	16.79	4.3	1.80	97	206	14.77	4.2	2.00	103	195	13.95	4.2	2.10	120	166	11.88	4.0	2.30	133	151			10.79	3.9	2.40	153	131	9.35	3.8			2.70	158	126	9.06	3.8	2.80	179			111	7.97	3.7	3.00	108	185	26.31			4.2			2.20	GR59 GRF59	2P	157	123	18.05	2.4	1.45	114	176	24.99	4.1	2.30	130	154	21.93	4.0	2.70	153	131	18.60	3.8	3.10	169	118	16.79	3.7	3.50	192	104	14.77	3.6	3.80	204	98	13.95	3.6	4.00	74	269	19.27	3.4	1.05	88	226	16.22	3.3	1.15	98	203	14.56	3.2	1.20	114	175	12.54	3.1	1.35	121	165	11.79	3.1	1.40	141	142	10.15	3.0	1.50	158	127	9.07	2.9	1.65	185	108	7.75	2.8	1.40	205	97	6.96	2.7	1.55	238	84	6.00	2.6	1.75	254	79	5.64	2.6	1.85	295	68	4.85	2.5	2.10	329	61	4.34	2.4	2.30	386	52	3.70	2.3	2.50	302	68	4.73	4.9	1.75	354	58	4.04	4.7	2.40	386	53	3.70	4.6	2.80	440	47	3.25	4.4	3.80	464	44	3.08	4.3	4.20	530	39	2.70	4.2	5.30	588	35	2.43	4.0	5.90	671	31	2.13	3.9	6.30	761	27	1.88	3.7	6.70	856	24	1.67	3.6	7.00	1007	20	1.42	3.4	7.30
49	405	29.00	11	1.90			57	352	25.23	11	2.10			61	326	23.37	11	2.30	67	299	21.43	11	2.60	GR79 GRF79	4P	92	211	15.60			1.0	0.85	GR39 GRF39			4P	76					262		18.80	10		2.80		80	249		17.82		10	2.90		92			218			15.60	10	3.20	102	196	14.05	9.4	3.40	36	557	39.88	7.2	1.00	GR69 GRF69	4P	108			179			13.25		1.6	0.95	38	523	37.50	7.6		1.00	44	450	32.27	8.3	1.10	50	402	28.83	8.7	1.20	61	327	23.44	8.7	1.60	GR69 GRF69	4P	121			160									11.83			1.9	1.05	72	278	19.89	8.3	2.00	80	251	17.95	8.1	2.20	91	220	15.79	7.8	2.40	96	208	14.91	7.7	2.50	113	177	12.70	7.4	2.80	124	161	11.54	7.2	2.90	143	140	10.00	6.9	3.20	164	121	8.70	6.6	3.40	184	109	7.79	6.4	3.30	38	521	37.30	4.3	0.80	GR59 GRF59			4P	141	137			10.11			2.2	1.15	41	489	35.07	4.9	0.85	47	421	30.18			4.8	1.00	53	376	26.97			4.7	1.10	65	306	21.93			4.6	1.40	GR59 GRF59							4P	151	128	9.47	2.4	1.20	77	260	18.60	4.4	1.60	85	234	16.79	4.3	1.80	97	206	14.77	4.2	2.00	103	195	13.95	4.2	2.10	120	166	11.88	4.0	2.30	133			151	10.79	3.9	2.40	153	131	9.35			3.8	2.70	158	126	9.06	3.8	2.80			179	111	7.97	3.7	3.00	108	185			26.31			4.2			2.20	GR59 GRF59	2P	157	123	18.05	2.4	1.45	114	176	24.99	4.1	2.30	130	154	21.93	4.0	2.70	153	131	18.60	3.8	3.10	169	118	16.79	3.7	3.50	192	104	14.77	3.6	3.80	204	98	13.95	3.6	4.00	74	269	19.27	3.4	1.05	88	226	16.22	3.3	1.15	98	203	14.56	3.2	1.20	114	175	12.54	3.1	1.35	121	165	11.79	3.1	1.40	141	142	10.15	3.0	1.50	158	127	9.07	2.9	1.65	185	108	7.75	2.8	1.40	205	97	6.96	2.7	1.55	238	84	6.00	2.6	1.75	254	79	5.64	2.6	1.85	295	68	4.85	2.5	2.10	329	61	4.34	2.4	2.30	386	52	3.70	2.3	2.50	302	68	4.73	4.9	1.75	354	58	4.04	4.7	2.40	386	53	3.70	4.6	2.80	440	47	3.25	4.4	3.80	464	44	3.08	4.3	4.20	530	39	2.70	4.2	5.30	588	35	2.43	4.0	5.90	671	31	2.13	3.9	6.30	761	27	1.88	3.7	6.70	856	24	1.67	3.6	7.00	1007	20
57	352	25.23	11	2.10			61	326	23.37	11	2.30			67	299	21.43	11	2.60	GR79 GRF79	4P	92	211	15.60			1.0	0.85	GR39 GRF39			4P	76					262		18.80	10		2.80		80	249		17.82		10	2.90		92		218	15.60		10			3.20			102	196	14.05	9.4	3.40	36	557	39.88	7.2	1.00	GR69 GRF69	4P	108			179			13.25			1.6	0.95	38	523	37.50	7.6	1.00	44	450	32.27	8.3	1.10	50	402	28.83	8.7	1.20	61	327	23.44	8.7	1.60	GR69 GRF69	4P	121			160			11.83									1.9			1.05	72	278	19.89	8.3	2.00	80	251	17.95	8.1	2.20	91	220	15.79	7.8	2.40	96	208	14.91	7.7	2.50	113	177	12.70	7.4	2.80	124	161	11.54	7.2	2.90	143	140	10.00	6.9	3.20	164	121	8.70	6.6	3.40	184	109	7.79	6.4	3.30	38	521	37.30	4.3	0.80	GR59 GRF59					4P	141			137	10.11	2.2	1.15	41	489	35.07	4.9	0.85	47	421	30.18	4.8			1.00	53	376	26.97	4.7			1.10	65	306	21.93	4.6			1.40	GR59 GRF59									4P	151	128	9.47	2.4	1.20	77	260	18.60	4.4	1.60	85	234	16.79	4.3	1.80	97	206	14.77	4.2	2.00	103	195	13.95	4.2	2.10	120	166	11.88	4.0	2.30			133	151	10.79	3.9	2.40	153	131			9.35	3.8	2.70	158	126	9.06	3.8			2.80	179	111	7.97	3.7	3.00	108			185			26.31			4.2			2.20	GR59 GRF59	2P	157	123	18.05	2.4	1.45	114	176	24.99	4.1	2.30	130	154	21.93	4.0	2.70	153	131	18.60	3.8	3.10	169	118	16.79	3.7	3.50	192	104	14.77	3.6	3.80	204	98	13.95	3.6	4.00	74	269	19.27	3.4	1.05	88	226	16.22	3.3	1.15	98	203	14.56	3.2	1.20	114	175	12.54	3.1	1.35	121	165	11.79	3.1	1.40	141	142	10.15	3.0	1.50	158	127	9.07	2.9	1.65	185	108	7.75	2.8	1.40	205	97	6.96	2.7	1.55	238	84	6.00	2.6	1.75	254	79	5.64	2.6	1.85	295	68	4.85	2.5	2.10	329	61	4.34	2.4	2.30	386	52	3.70	2.3	2.50	302	68	4.73	4.9	1.75	354	58	4.04	4.7	2.40	386	53	3.70	4.6	2.80	440	47	3.25	4.4	3.80	464	44	3.08	4.3	4.20	530	39	2.70	4.2	5.30	588	35	2.43	4.0	5.90	671	31	2.13	3.9	6.30	761	27	1.88	3.7	6.70	856	24	1.67	3.6
61	326	23.37	11	2.30			67	299	21.43	11	2.60			GR79 GRF79	4P	92	211	15.60			1.0	0.85	GR39 GRF39			4P	76					262		18.80	10		2.80		80	249		17.82		10	2.90		92		218	15.60		10		3.20	102		196			14.05			9.4	3.40	36	557	39.88	7.2	1.00	GR69 GRF69	4P	108			179			13.25			1.6	0.95	38	523	37.50	7.6	1.00	44	450	32.27	8.3	1.10	50	402	28.83	8.7	1.20	61	327	23.44	8.7	1.60	GR69 GRF69	4P	121			160			11.83			1.9									1.05			72	278	19.89	8.3	2.00	80	251	17.95	8.1	2.20	91	220	15.79	7.8	2.40	96	208	14.91	7.7	2.50	113	177	12.70	7.4	2.80	124	161	11.54	7.2	2.90	143	140	10.00	6.9	3.20	164	121	8.70	6.6	3.40	184	109	7.79	6.4	3.30	38	521	37.30	4.3	0.80	GR59 GRF59							4P	141	137	10.11	2.2	1.15	41	489	35.07	4.9	0.85	47	421	30.18	4.8	1.00			53	376	26.97	4.7	1.10			65	306	21.93	4.6	1.40			GR59 GRF59											4P	151	128	9.47	2.4	1.20	77	260	18.60	4.4	1.60	85	234	16.79	4.3	1.80	97	206	14.77	4.2	2.00	103	195	13.95	4.2	2.10	120	166	11.88	4.0			2.30	133	151	10.79	3.9	2.40	153			131	9.35	3.8	2.70	158	126	9.06			3.8	2.80	179	111	7.97	3.7	3.00			108			185			26.31			4.2			2.20	GR59 GRF59	2P	157	123	18.05	2.4	1.45	114	176	24.99	4.1	2.30	130	154	21.93	4.0	2.70	153	131	18.60	3.8	3.10	169	118	16.79	3.7	3.50	192	104	14.77	3.6	3.80	204	98	13.95	3.6	4.00	74	269	19.27	3.4	1.05	88	226	16.22	3.3	1.15	98	203	14.56	3.2	1.20	114	175	12.54	3.1	1.35	121	165	11.79	3.1	1.40	141	142	10.15	3.0	1.50	158	127	9.07	2.9	1.65	185	108	7.75	2.8	1.40	205	97	6.96	2.7	1.55	238	84	6.00	2.6	1.75	254	79	5.64	2.6	1.85	295	68	4.85	2.5	2.10	329	61	4.34	2.4	2.30	386	52	3.70	2.3	2.50	302	68	4.73	4.9	1.75	354	58	4.04	4.7	2.40	386	53	3.70	4.6	2.80	440	47	3.25	4.4	3.80	464	44	3.08	4.3	4.20	530	39	2.70	4.2	5.30	588	35	2.43	4.0	5.90	671	31	2.13	3.9	6.30	761	27	1.88	3.7	6.70	856
67	299	21.43	11	2.60	GR79 GRF79	4P	92	211	15.60	1.0	0.85	GR39 GRF39	4P																																																																																																																																																																																																																																																																																																																																																																																																																																																					
76	262	18.80	10	2.80			80	249	17.82	10	2.90					92	218	15.60			10	3.20		102	196		14.05		9.4	3.40		36		557	39.88		7.2		1.00	GR69 GRF69		4P		108	179		13.25		1.6	0.95		38		523	37.50		7.6			1.00	44	450	32.27	8.3	1.10	50	402	28.83	8.7			1.20			61	327	23.44	8.7	1.60	GR69 GRF69	4P	121	160	11.83	1.9	1.05	72	278	19.89	8.3	2.00	80	251	17.95	8.1	2.20	91	220	15.79	7.8	2.40	96			208			14.91			7.7			2.50	113	177							12.70			7.4	2.80	124	161	11.54	7.2	2.90	143	140	10.00	6.9	3.20	164	121	8.70	6.6	3.40	184	109	7.79	6.4	3.30	38	521	37.30	4.3	0.80	GR59 GRF59	4P	141	137	10.11	2.2	1.15	41	489	35.07	4.9	0.85	47	421	30.18	4.8	1.00	53	376	26.97	4.7	1.10	65			306	21.93	4.6	1.40			GR59 GRF59	4P	151	128	9.47	2.4	1.20	77	260	18.60	4.4	1.60	85	234	16.79	4.3	1.80	97	206	14.77	4.2	2.00			103	195	13.95	4.2	2.10															120	166	11.88	4.0	2.30	133	151	10.79	3.9	2.40	153	131	9.35	3.8	2.70	158	126	9.06	3.8	2.80	179	111	7.97	3.7	3.00	108	185	26.31	4.2	2.20	GR59 GRF59	2P	157	123	18.05	2.4	1.45	114			176	24.99	4.1	2.30	130	154	21.93			4.0	2.70	153	131	18.60	3.8	3.10			169			118			16.79			3.7			3.50			192	104	14.77	3.6	3.80	204	98	13.95	3.6	4.00	74	269	19.27	3.4	1.05	88	226	16.22	3.3	1.15	98	203	14.56	3.2	1.20	114	175	12.54	3.1	1.35	121	165	11.79	3.1	1.40	141	142	10.15	3.0	1.50	158	127	9.07	2.9	1.65	185	108	7.75	2.8	1.40	205	97	6.96	2.7	1.55	238	84	6.00	2.6	1.75	254	79	5.64	2.6	1.85	295	68	4.85	2.5	2.10	329	61	4.34	2.4	2.30	386	52	3.70	2.3	2.50	302	68	4.73	4.9	1.75	354	58	4.04	4.7	2.40	386	53	3.70	4.6	2.80	440	47	3.25	4.4	3.80	464	44	3.08	4.3	4.20	530	39	2.70	4.2	5.30	588	35	2.43	4.0	5.90	671	31	2.13	3.9	6.30	761	27	1.88	3.7	6.70	856	24	1.67	3.6	7.00	1007	20	1.42	3.4	7.30																
80	249	17.82	10	2.90			92	218	15.60	10	3.20					102	196	14.05	9.4	3.40	36	557		39.88	7.2		1.00		GR69 GRF69	4P		108		179	13.25		1.6		0.95					38	523		37.50		7.6	1.00		44		450	32.27		8.3	1.10	50	402	28.83	8.7	1.20	61	327	23.44	8.7	1.60	GR69 GRF69			4P	121	160	11.83	1.9	1.05	72	278			19.89	8.3	2.00	80	251	17.95	8.1	2.20	91	220	15.79	7.8	2.40	96	208	14.91	7.7	2.50	113	177	12.70			7.4			2.80			124			161	11.54	7.2		2.90	143				140			10.00	6.9	3.20	164	121	8.70	6.6	3.40	184	109	7.79	6.4	3.30	38	521	37.30	4.3	0.80	GR59 GRF59	4P	141	137	10.11	2.2	1.15	41	489			35.07	4.9	0.85	47	421	30.18	4.8	1.00	53	376	26.97	4.7	1.10	65	306	21.93	4.6	1.40	GR59 GRF59	4P	151		128	9.47	2.4	1.20	77	260				18.60	4.4	1.60	85	234	16.79	4.3	1.80	97	206	14.77	4.2	2.00	103	195	13.95	4.2	2.10	120	166	11.88	4.0	2.30	133	151	10.79	3.9															2.40	153	131	9.35	3.8	2.70	158	126	9.06	3.8	2.80	179	111	7.97	3.7	3.00	108	185	26.31	4.2	2.20	GR59 GRF59	2P	157	123	18.05	2.4	1.45	114	176			24.99	4.1	2.30	130	154	21.93	4.0	2.70	153	131	18.60	3.8	3.10	169	118			16.79	3.7	3.50	192	104	14.77	3.6			3.80			204			98			13.95			3.6			4.00	74	269	19.27	3.4	1.05	88	226	16.22	3.3	1.15	98	203	14.56	3.2	1.20	114	175	12.54	3.1	1.35	121	165	11.79	3.1	1.40	141	142	10.15	3.0	1.50	158	127	9.07	2.9	1.65	185	108	7.75	2.8	1.40	205	97	6.96	2.7	1.55	238	84	6.00	2.6	1.75	254	79	5.64	2.6	1.85	295	68	4.85	2.5	2.10	329	61	4.34	2.4	2.30	386	52	3.70	2.3	2.50	302	68	4.73	4.9	1.75	354	58	4.04	4.7	2.40	386	53	3.70	4.6	2.80	440	47	3.25	4.4	3.80	464	44	3.08	4.3	4.20	530	39	2.70	4.2	5.30	588	35	2.43	4.0	5.90	671	31	2.13	3.9	6.30	761	27	1.88	3.7	6.70	856	24	1.67	3.6	7.00	1007	20	1.42	3.4	7.30																									
92	218	15.60	10	3.20			102	196	14.05	9.4	3.40			36	557	39.88	7.2	1.00	GR69 GRF69	4P	108	179		13.25	1.6		0.95					38		523	37.50		7.6		1.00					44	450		32.27		8.3	1.10		50	402	28.83	8.7	1.20	61	327	23.44	8.7	1.60	GR69 GRF69	4P	121	160	11.83	1.9	1.05		72	278		19.89	8.3	2.00	80	251	17.95	8.1			2.20	91	220	15.79	7.8	2.40	96	208	14.91	7.7	2.50	113	177	12.70	7.4	2.80	124	161	11.54	7.2	2.90			143			140			10.00			6.9	3.20	164		121	8.70		6.6	3.40	184			109	7.79	6.4	3.30	38	521	37.30	4.3	0.80	GR59 GRF59	4P	141	137	10.11	2.2	1.15	41	489			35.07	4.9	0.85	47	421	30.18	4.8			1.00	53	376	26.97	4.7	1.10	65	306	21.93	4.6	1.40	GR59 GRF59	4P	151	128	9.47	2.4	1.20			77	260	18.60	4.4	1.60	85	234	16.79	4.3			1.80	97	206	14.77	4.2	2.00	103	195	13.95	4.2	2.10	120	166	11.88	4.0	2.30	133	151	10.79	3.9	2.40	153	131	9.35	3.8	2.70	158	126	9.06													3.8	2.80	179	111	7.97	3.7	3.00	108	185	26.31	4.2	2.20	GR59 GRF59	2P	157	123	18.05	2.4	1.45	114	176			24.99	4.1	2.30	130	154	21.93	4.0			2.70	153	131	18.60	3.8	3.10	169	118	16.79	3.7	3.50	192	104	14.77	3.6	3.80	204	98	13.95	3.6	4.00	74	269	19.27			3.4			1.05			88			226			16.22			3.3	1.15	98	203	14.56	3.2	1.20	114	175	12.54	3.1	1.35	121	165	11.79	3.1	1.40	141	142	10.15	3.0	1.50	158	127	9.07	2.9	1.65	185	108	7.75	2.8	1.40	205	97	6.96	2.7	1.55	238	84	6.00	2.6	1.75	254	79	5.64	2.6	1.85	295	68	4.85	2.5	2.10	329	61	4.34	2.4	2.30	386	52	3.70	2.3	2.50	302	68	4.73	4.9	1.75	354	58	4.04	4.7	2.40	386	53	3.70	4.6	2.80	440	47	3.25	4.4	3.80	464	44	3.08	4.3	4.20	530	39	2.70	4.2	5.30	588	35	2.43	4.0	5.90	671	31	2.13	3.9	6.30	761	27	1.88	3.7	6.70	856	24	1.67	3.6	7.00	1007	20	1.42	3.4	7.30																																		
102	196	14.05	9.4	3.40	36	557	39.88	7.2	1.00	GR69 GRF69	4P			108	179	13.25	1.6	0.95			38	523		37.50	7.6		1.00					44		450	32.27		8.3		1.10					50	402		28.83	8.7	1.20	61	327	23.44	8.7	1.60	GR69 GRF69	4P	121	160	11.83	1.9	1.05			72	278	19.89	8.3	2.00		80	251		17.95	8.1	2.20	91	220	15.79	7.8			2.40	96	208	14.91	7.7	2.50	113	177	12.70	7.4	2.80	124	161	11.54	7.2	2.90	143	140	10.00	6.9	3.20			164			121			8.70			6.6	3.40	184		109	7.79		6.4	3.30	38	521	37.30	4.3	0.80	GR59 GRF59	4P	141	137	10.11	2.2	1.15			41	489	35.07	4.9	0.85	47	421			30.18	4.8	1.00	53	376	26.97	4.7			1.10	65	306	21.93	4.6	1.40	GR59 GRF59	4P	151	128	9.47			2.4	1.20	77	260	18.60			4.4	1.60	85	234	16.79	4.3	1.80	97	206			14.77	4.2	2.00	103	195	13.95	4.2	2.10	120	166	11.88	4.0	2.30	133	151	10.79	3.9	2.40	153	131	9.35	3.8	2.70	158	126	9.06	3.8	2.80	179						111	7.97						3.7	3.00	108	185	26.31	4.2	2.20	GR59 GRF59	2P	157	123	18.05			2.4	1.45	114	176	24.99	4.1	2.30			130	154	21.93	4.0	2.70	153	131			18.60	3.8	3.10	169	118	16.79	3.7	3.50	192	104	14.77	3.6	3.80	204	98	13.95	3.6	4.00	74	269	19.27	3.4	1.05	88	226	16.22	3.3			1.15			98			203			14.56			3.2	1.20	114	175	12.54	3.1	1.35	121	165	11.79	3.1	1.40	141	142	10.15	3.0	1.50	158	127	9.07	2.9	1.65	185	108	7.75	2.8	1.40	205	97	6.96	2.7	1.55	238	84	6.00	2.6	1.75	254	79	5.64	2.6	1.85	295	68	4.85	2.5	2.10	329	61	4.34	2.4	2.30	386	52	3.70	2.3	2.50	302	68	4.73	4.9	1.75	354	58	4.04	4.7	2.40	386	53	3.70	4.6	2.80	440	47	3.25	4.4	3.80	464	44	3.08	4.3	4.20	530	39	2.70	4.2	5.30	588	35	2.43	4.0	5.90	671	31	2.13	3.9	6.30	761	27	1.88	3.7	6.70	856	24	1.67	3.6	7.00	1007	20	1.42	3.4	7.30																																							
36	557	39.88	7.2	1.00	GR69 GRF69	4P	108	179	13.25					1.6	0.95	38	523	37.50			7.6	1.00		44	450		32.27					8.3		1.10	50		402		28.83	8.7		1.20	61	327	23.44	8.7	1.60	GR69 GRF69	4P	121	160	11.83	1.9	1.05			72	278	19.89	8.3	2.00			80	251	17.95	8.1	2.20		91	220		15.79	7.8	2.40	96	208	14.91	7.7			2.50	113	177	12.70	7.4	2.80	124	161	11.54	7.2	2.90	143	140	10.00	6.9	3.20	164	121	8.70	6.6	3.40			184			109			7.79			6.4	3.30	38	521	37.30	4.3	0.80	GR59 GRF59	4P	141	137	10.11	2.2	1.15			41	489	35.07	4.9	0.85			47	421	30.18	4.8	1.00	53	376			26.97	4.7	1.10	65	306	21.93	4.6	1.40	GR59 GRF59	4P	151	128	9.47	2.4	1.20			77	260	18.60			4.4	1.60	85	234	16.79			4.3	1.80	97	206	14.77	4.2	2.00	103	195			13.95	4.2	2.10	120	166	11.88	4.0	2.30	133	151	10.79	3.9	2.40	153	131	9.35	3.8	2.70	158	126	9.06	3.8	2.80	179	111	7.97	3.7	3.00	108					185	26.31	4.2	2.20					GR59 GRF59	2P	157	123	18.05	2.4	1.45			114	176	24.99			4.1	2.30	130	154	21.93	4.0	2.70			153	131	18.60	3.8	3.10	169	118			16.79	3.7	3.50	192	104	14.77	3.6	3.80	204	98	13.95	3.6	4.00	74	269	19.27	3.4	1.05	88	226	16.22	3.3	1.15	98	203	14.56	3.2	1.20	114	175			12.54			3.1			1.35			121	165	11.79	3.1	1.40	141	142	10.15	3.0	1.50	158	127	9.07	2.9	1.65	185	108	7.75	2.8	1.40	205	97	6.96	2.7	1.55	238	84	6.00	2.6	1.75	254	79	5.64	2.6	1.85	295	68	4.85	2.5	2.10	329	61	4.34	2.4	2.30	386	52	3.70	2.3	2.50	302	68	4.73	4.9	1.75	354	58	4.04	4.7	2.40	386	53	3.70	4.6	2.80	440	47	3.25	4.4	3.80	464	44	3.08	4.3	4.20	530	39	2.70	4.2	5.30	588	35	2.43	4.0	5.90	671	31	2.13	3.9	6.30	761	27	1.88	3.7	6.70	856	24	1.67	3.6	7.00	1007	20	1.42	3.4	7.30																																														
38	523	37.50	7.6	1.00			44	450	32.27					8.3	1.10	50	402	28.83			8.7	1.20		61	327		23.44		8.7	1.60		GR69 GRF69		4P	121		160	11.83	1.9	1.05	72	278	19.89	8.3	2.00	80	251			17.95	8.1	2.20	91	220			15.79	7.8	2.40	96	208			14.91	7.7	2.50	113	177		12.70	7.4		2.80	124	161	11.54	7.2	2.90	143			140	10.00	6.9	3.20	164	121	8.70	6.6	3.40	184	109	7.79	6.4	3.30	38	521	37.30	4.3	0.80	GR59 GRF59	4P			141			137			10.11	2.2	1.15	41	489	35.07	4.9	0.85	47	421			30.18	4.8	1.00	53	376			26.97	4.7	1.10	65	306			21.93	4.6	1.40	GR59 GRF59	4P	151	128	9.47	2.4	1.20	77	260	18.60	4.4	1.60	85	234			16.79	4.3	1.80	97	206			14.77	4.2	2.00			103	195	13.95	4.2	2.10			120	166	11.88	4.0	2.30	133	151	10.79	3.9			2.40	153	131	9.35	3.8	2.70	158	126	9.06	3.8	2.80	179	111	7.97	3.7	3.00	108	185	26.31	4.2	2.20	GR59 GRF59	2P	157	123	18.05	2.4	1.45	114				176	24.99	4.1	2.30	130	154						21.93	4.0	2.70	153	131			18.60	3.8	3.10			169	118	16.79	3.7	3.50	192	104			14.77	3.6	3.80	204	98	13.95	3.6			4.00	74	269	19.27	3.4	1.05	88	226	16.22	3.3	1.15	98	203	14.56	3.2	1.20	114	175	12.54	3.1	1.35	121	165	11.79	3.1	1.40	141	142	10.15	3.0	1.50	158	127			9.07			2.9			1.65	185	108	7.75	2.8	1.40	205	97	6.96	2.7	1.55	238	84	6.00	2.6	1.75	254	79	5.64	2.6	1.85	295	68	4.85	2.5	2.10	329	61	4.34	2.4	2.30	386	52	3.70	2.3	2.50	302	68	4.73	4.9	1.75	354	58	4.04	4.7	2.40	386	53	3.70	4.6	2.80	440	47	3.25	4.4	3.80	464	44	3.08	4.3	4.20	530	39	2.70	4.2	5.30	588	35	2.43	4.0	5.90	671	31	2.13	3.9	6.30	761	27	1.88	3.7	6.70	856	24	1.67	3.6	7.00	1007	20	1.42	3.4	7.30																																																												
44	450	32.27	8.3	1.10			50	402	28.83					8.7	1.20	61	327	23.44	8.7	1.60	GR69 GRF69	4P		121	160		11.83		1.9	1.05			72		278	19.89	8.3	2.00	80	251	17.95	8.1	2.20	91	220	15.79	7.8			2.40	96	208	14.91	7.7			2.50	113	177	12.70	7.4			2.80	124	161	11.54	7.2		2.90	143		140	10.00	6.9	3.20	164	121	8.70			6.6	3.40	184	109	7.79	6.4	3.30	38	521	37.30	4.3	0.80	GR59 GRF59	4P	141	137	10.11	2.2	1.15					41			489	35.07	4.9	0.85	47	421	30.18	4.8	1.00	53	376	26.97	4.7			1.10	65	306	21.93	4.6			1.40	GR59 GRF59	4P	151	128	9.47	2.4	1.20	77	260			18.60	4.4	1.60	85	234	16.79	4.3	1.80	97	206	14.77	4.2			2.00	103	195	13.95	4.2			2.10	120	166			11.88	4.0	2.30	133	151			10.79	3.9	2.40	153	131	9.35	3.8	2.70	158			126	9.06	3.8	2.80	179	111	7.97	3.7	3.00	108	185	26.31	4.2	2.20	GR59 GRF59	2P	157	123	18.05	2.4	1.45			114	176	24.99	4.1	2.30	130			154	21.93	4.0	2.70	153	131	18.60	3.8					3.10	169	118	16.79	3.7			3.50	192	104			14.77	3.6	3.80	204	98	13.95	3.6			4.00	74	269	19.27	3.4	1.05	88			226	16.22	3.3	1.15	98	203	14.56	3.2	1.20	114	175	12.54	3.1	1.35	121	165	11.79	3.1	1.40	141	142	10.15	3.0	1.50	158	127	9.07	2.9	1.65	185	108	7.75	2.8	1.40	205	97			6.96			2.7	1.55	238	84	6.00	2.6	1.75	254	79	5.64	2.6	1.85	295	68	4.85	2.5	2.10	329	61	4.34	2.4	2.30	386	52	3.70	2.3	2.50	302	68	4.73	4.9	1.75	354	58	4.04	4.7	2.40	386	53	3.70	4.6	2.80	440	47	3.25	4.4	3.80	464	44	3.08	4.3	4.20	530	39	2.70	4.2	5.30	588	35	2.43	4.0	5.90	671	31	2.13	3.9	6.30	761	27	1.88	3.7	6.70	856	24	1.67	3.6	7.00	1007	20	1.42	3.4	7.30																																																																					
50	402	28.83	8.7	1.20			61	327	23.44	8.7	1.60			GR69 GRF69	4P	121	160	11.83	1.9	1.05				72	278		19.89	8.3	2.00	80	251		17.95		8.1	2.20	91	220	15.79	7.8	2.40	96	208	14.91	7.7	2.50	113			177	12.70	7.4	2.80	124			161	11.54	7.2	2.90	143			140	10.00	6.9	3.20	164		121	8.70		6.6	3.40	184	109	7.79	6.4	3.30			38	521	37.30	4.3	0.80	GR59 GRF59	4P	141	137	10.11	2.2	1.15			41	489	35.07	4.9	0.85					47	421	30.18	4.8	1.00	53	376	26.97	4.7	1.10	65	306	21.93	4.6	1.40	GR59 GRF59			4P	151	128	9.47	2.4	1.20	77	260			18.60	4.4	1.60	85	234	16.79	4.3			1.80	97	206	14.77	4.2	2.00	103	195	13.95	4.2	2.10	120			166	11.88	4.0	2.30	133			151	10.79	3.9			2.40	153	131	9.35	3.8			2.70	158	126	9.06	3.8	2.80	179	111	7.97			3.7	3.00	108	185	26.31	4.2	2.20	GR59 GRF59	2P	157	123	18.05	2.4	1.45			114	176	24.99	4.1	2.30			130	154	21.93	4.0	2.70	153		131	18.60	3.8	3.10	169	118	16.79	3.7	3.50	192				104	14.77	3.6	3.80	204			98	13.95	3.6			4.00	74	269	19.27	3.4	1.05	88			226	16.22	3.3	1.15	98	203	14.56			3.2	1.20	114	175	12.54	3.1	1.35	121	165	11.79	3.1	1.40	141	142	10.15	3.0	1.50	158	127	9.07	2.9	1.65	185	108	7.75	2.8	1.40	205	97	6.96	2.7	1.55	238	84	6.00	2.6	1.75	254	79			5.64	2.6	1.85	295	68	4.85	2.5	2.10	329	61	4.34	2.4	2.30	386	52	3.70	2.3	2.50	302	68	4.73	4.9	1.75	354	58	4.04	4.7	2.40	386	53	3.70	4.6	2.80	440	47	3.25	4.4	3.80	464	44	3.08	4.3	4.20	530	39	2.70	4.2	5.30	588	35	2.43	4.0	5.90	671	31	2.13	3.9	6.30	761	27	1.88	3.7	6.70	856	24	1.67	3.6	7.00	1007	20	1.42	3.4	7.30																																																																														
61	327	23.44	8.7	1.60	GR69 GRF69	4P	121	160	11.83	1.9	1.05					72	278	19.89	8.3	2.00			80	251	17.95	8.1	2.20	91	220	15.79	7.8		2.40		96	208	14.91	7.7	2.50	113	177	12.70	7.4	2.80	124	161	11.54			7.2	2.90	143	140	10.00			6.9	3.20	164	121	8.70			6.6	3.40	184	109	7.79		6.4	3.30		38	521	37.30	4.3	0.80	GR59 GRF59	4P			141	137	10.11	2.2	1.15			41	489	35.07	4.9	0.85			47	421	30.18	4.8	1.00			53	376	26.97	4.7	1.10	65	306	21.93	4.6	1.40	GR59 GRF59	4P	151	128	9.47	2.4	1.20		77	260		18.60	4.4	1.60	85	234	16.79	4.3			1.80	97	206	14.77	4.2	2.00	103			195	13.95	4.2	2.10	120	166	11.88	4.0	2.30	133	151	10.79			3.9	2.40	153	131	9.35			3.8	2.70	158			126	9.06	3.8	2.80	179			111	7.97	3.7	3.00	108	185	26.31	4.2	2.20			GR59 GRF59	2P	157	123	18.05	2.4	1.45			114	176	24.99	4.1	2.30			130	154	21.93	4.0	2.70			153	131	18.60	3.8	3.10	169	118	16.79	3.7	3.50	192	104	14.77	3.6	3.80	204	98	13.95			3.6	4.00	74	269	19.27			3.4	1.05	88			226	16.22	3.3	1.15	98	203	14.56			3.2	1.20	114	175	12.54	3.1	1.35			121	165	11.79	3.1	1.40	141	142	10.15	3.0	1.50	158	127	9.07	2.9	1.65	185	108	7.75	2.8	1.40	205	97	6.96	2.7	1.55	238	84	6.00	2.6	1.75	254	79	5.64	2.6	1.85	295	68	4.85	2.5	2.10	329	61	4.34	2.4	2.30	386	52	3.70	2.3	2.50	302	68	4.73	4.9	1.75	354	58	4.04	4.7	2.40	386	53	3.70	4.6	2.80	440	47	3.25	4.4	3.80	464	44	3.08	4.3	4.20	530	39	2.70	4.2	5.30	588	35	2.43	4.0	5.90	671	31	2.13	3.9	6.30	761	27	1.88	3.7	6.70	856	24	1.67	3.6	7.00	1007	20	1.42	3.4	7.30																																																																																							
72	278	19.89	8.3	2.00			80	251	17.95	8.1	2.20	91	220			15.79	7.8	2.40	96	208			14.91	7.7	2.50	113	177	12.70	7.4	2.80	124		161		11.54	7.2	2.90	143	140	10.00	6.9	3.20	164	121	8.70	6.6	3.40			184	109	7.79	6.4	3.30			38	521	37.30	4.3	0.80			GR59 GRF59	4P	141	137	10.11		2.2	1.15		41	489	35.07	4.9	0.85					47	421	30.18	4.8	1.00			53	376	26.97	4.7	1.10			65	306	21.93	4.6	1.40	GR59 GRF59	4P	151	128	9.47	2.4	1.20	77	260	18.60	4.4	1.60			85	234	16.79	4.3	1.80		97	206		14.77	4.2	2.00	103	195	13.95	4.2			2.10	120	166	11.88	4.0	2.30	133			151	10.79	3.9	2.40	153	131	9.35	3.8	2.70	158	126	9.06			3.8	2.80	179	111	7.97			3.7	3.00	108			185	26.31	4.2	2.20	GR59 GRF59			2P	157	123	18.05	2.4	1.45	114	176	24.99					4.1	2.30	130	154	21.93			4.0	2.70	153	131	18.60			3.8	3.10	169	118	16.79			3.7	3.50	192	104	14.77	3.6	3.80	204	98	13.95	3.6	4.00	74	269	19.27	3.4	1.05	88			226	16.22	3.3	1.15	98			203	14.56	3.2			1.20	114	175	12.54	3.1	1.35	121			165	11.79	3.1	1.40	141	142	10.15			3.0	1.50	158	127	9.07	2.9	1.65	185	108	7.75	2.8	1.40	205	97	6.96	2.7	1.55	238	84	6.00	2.6	1.75	254	79	5.64	2.6	1.85	295	68	4.85	2.5	2.10	329	61	4.34	2.4	2.30	386	52	3.70	2.3	2.50	302	68	4.73	4.9	1.75	354	58	4.04	4.7	2.40	386	53	3.70	4.6	2.80	440	47	3.25	4.4	3.80	464	44	3.08	4.3	4.20	530	39	2.70	4.2	5.30	588	35	2.43	4.0	5.90	671	31	2.13	3.9	6.30	761	27	1.88	3.7	6.70	856	24	1.67	3.6	7.00	1007	20	1.42	3.4	7.30																																																																																															
80	251	17.95	8.1	2.20			91	220	15.79	7.8	2.40	96	208			14.91	7.7	2.50	113	177			12.70	7.4	2.80	124	161	11.54	7.2	2.90	143		140		10.00	6.9	3.20	164	121	8.70	6.6	3.40	184	109	7.79	6.4	3.30			38	521	37.30	4.3	0.80			GR59 GRF59	4P	141	137	10.11					2.2	1.15	41		489	35.07		4.9	0.85	47	421	30.18			4.8	1.00	53	376	26.97	4.7	1.10			65	306	21.93	4.6	1.40	GR59 GRF59	4P	151	128	9.47	2.4	1.20			77	260	18.60	4.4	1.60	85	234	16.79	4.3	1.80			97	206	14.77	4.2	2.00		103	195		13.95	4.2	2.10	120	166	11.88	4.0			2.30	133	151	10.79	3.9	2.40	153			131	9.35	3.8	2.70	158	126	9.06	3.8	2.80	179	111	7.97			3.7	3.00	108	185	26.31			4.2	2.20	GR59 GRF59			2P	157	123	18.05					2.4	1.45	114	176	24.99	4.1	2.30	130	154	21.93			4.0	2.70	153	131	18.60			3.8	3.10	169	118	16.79			3.7	3.50	192	104	14.77			3.6	3.80	204	98	13.95	3.6	4.00	74	269	19.27	3.4	1.05	88	226	16.22	3.3	1.15	98			203	14.56	3.2	1.20	114			175	12.54	3.1			1.35	121	165	11.79	3.1	1.40	141			142	10.15	3.0	1.50	158	127	9.07	2.9	1.65	185	108	7.75	2.8	1.40	205	97	6.96	2.7	1.55	238	84	6.00	2.6	1.75	254	79	5.64	2.6	1.85	295	68	4.85	2.5	2.10	329	61	4.34	2.4	2.30	386	52	3.70	2.3	2.50	302	68	4.73	4.9	1.75	354	58	4.04	4.7	2.40	386	53	3.70	4.6	2.80	440	47	3.25	4.4	3.80	464	44	3.08	4.3	4.20	530	39	2.70	4.2	5.30	588	35	2.43	4.0	5.90	671	31	2.13	3.9	6.30	761	27	1.88	3.7	6.70	856	24	1.67	3.6	7.00	1007	20	1.42	3.4	7.30																																																																																																						
91	220	15.79	7.8	2.40			96	208	14.91	7.7	2.50	113	177			12.70	7.4	2.80	124	161			11.54	7.2	2.90	143	140	10.00	6.9	3.20	164		121		8.70	6.6	3.40	184	109	7.79	6.4	3.30	38	521	37.30	4.3	0.80			GR59 GRF59	4P	141	137	10.11					2.2	1.15	41					489	35.07	4.9	0.85	47	421	30.18	4.8	1.00	53	376	26.97			4.7	1.10	65	306	21.93	4.6	1.40	GR59 GRF59	4P	151	128	9.47	2.4	1.20			77	260	18.60	4.4	1.60			85	234	16.79	4.3	1.80	97	206	14.77	4.2	2.00			103	195	13.95	4.2	2.10		120	166		11.88	4.0	2.30	133	151	10.79	3.9			2.40	153	131	9.35	3.8	2.70	158			126	9.06	3.8	2.80	179	111	7.97	3.7	3.00	108	185	26.31			4.2	2.20	GR59 GRF59	2P	157			123	18.05					2.4	1.45	114		176	24.99		4.1	2.30	130	154	21.93	4.0	2.70	153	131	18.60			3.8	3.10	169	118	16.79			3.7	3.50	192	104	14.77			3.6	3.80	204	98	13.95			3.6	4.00	74	269	19.27	3.4	1.05	88	226	16.22	3.3	1.15	98	203	14.56	3.2	1.20	114			175	12.54	3.1	1.35	121			165	11.79	3.1			1.40	141	142	10.15	3.0	1.50	158	127	9.07	2.9	1.65	185	108	7.75	2.8	1.40	205	97	6.96	2.7	1.55	238	84	6.00	2.6	1.75	254	79	5.64	2.6	1.85	295	68	4.85	2.5	2.10	329	61	4.34	2.4	2.30	386	52	3.70	2.3	2.50	302	68	4.73	4.9	1.75	354	58	4.04	4.7	2.40	386	53	3.70	4.6	2.80	440	47	3.25	4.4	3.80	464	44	3.08	4.3	4.20	530	39	2.70	4.2	5.30	588	35	2.43	4.0	5.90	671	31	2.13	3.9	6.30	761	27	1.88	3.7	6.70	856	24	1.67	3.6	7.00	1007	20	1.42	3.4	7.30																																																																																																													
96	208	14.91	7.7	2.50			113	177	12.70	7.4	2.80	124	161			11.54	7.2	2.90	143	140			10.00	6.9	3.20	164	121	8.70	6.6	3.40	184		109		7.79	6.4	3.30	38	521	37.30	4.3	0.80	GR59 GRF59	4P	141	137	10.11					2.2	1.15	41					489	35.07	4.9	0.85	47			421	30.18	4.8	1.00	53	376	26.97	4.7	1.10	65	306	21.93	4.6	1.40	GR59 GRF59	4P	151	128	9.47	2.4	1.20			77	260	18.60	4.4	1.60			85	234	16.79	4.3	1.80			97	206	14.77	4.2	2.00	103	195	13.95	4.2	2.10			120	166	11.88	4.0	2.30		133	151		10.79	3.9	2.40	153	131	9.35	3.8			2.70	158	126	9.06	3.8	2.80	179			111	7.97	3.7	3.00	108	185	26.31	4.2	2.20	GR59 GRF59	2P	157			123	18.05			2.4			1.45	114		176	24.99		4.1	2.30	130		154	21.93		4.0	2.70	153	131	18.60	3.8	3.10	169	118	16.79			3.7	3.50	192	104	14.77			3.6	3.80	204	98	13.95			3.6	4.00	74	269	19.27			3.4	1.05	88	226	16.22	3.3	1.15	98	203	14.56	3.2	1.20	114	175	12.54	3.1	1.35	121			165	11.79	3.1	1.40	141			142	10.15	3.0	1.50	158	127	9.07	2.9	1.65	185	108	7.75	2.8	1.40	205	97	6.96	2.7	1.55	238	84	6.00	2.6	1.75	254	79	5.64	2.6	1.85	295	68	4.85	2.5	2.10	329	61	4.34	2.4	2.30	386	52	3.70	2.3	2.50	302	68	4.73	4.9	1.75	354	58	4.04	4.7	2.40	386	53	3.70	4.6	2.80	440	47	3.25	4.4	3.80	464	44	3.08	4.3	4.20	530	39	2.70	4.2	5.30	588	35	2.43	4.0	5.90	671	31	2.13	3.9	6.30	761	27	1.88	3.7	6.70	856	24	1.67	3.6	7.00	1007	20	1.42	3.4	7.30																																																																																																																				
113	177	12.70	7.4	2.80			124	161	11.54	7.2	2.90	143	140			10.00	6.9	3.20	164	121			8.70	6.6	3.40	184	109	7.79	6.4	3.30	38		521		37.30	4.3	0.80	GR59 GRF59	4P	141	137	10.11			2.2	1.15	41					489	35.07	4.9	0.85	47			421	30.18	4.8	1.00	53	376	26.97	4.7	1.10	65	306	21.93	4.6	1.40	GR59 GRF59	4P	151	128	9.47	2.4	1.20			77	260	18.60	4.4	1.60			85	234	16.79	4.3	1.80			97	206	14.77	4.2	2.00			103	195	13.95	4.2	2.10	120	166	11.88	4.0	2.30			133	151	10.79	3.9	2.40		153	131		9.35	3.8	2.70	158	126	9.06	3.8			2.80	179	111	7.97	3.7	3.00	108			185	26.31	4.2	2.20	GR59 GRF59	2P	157	123	18.05			2.4			1.45	114			176	24.99	4.1	2.30	130		154	21.93		4.0	2.70	153		131	18.60		3.8	3.10	169	118	16.79	3.7	3.50	192	104	14.77			3.6	3.80	204	98	13.95			3.6	4.00	74	269	19.27			3.4	1.05	88	226	16.22			3.3	1.15	98	203	14.56	3.2	1.20	114	175	12.54	3.1	1.35	121	165	11.79	3.1	1.40	141			142	10.15	3.0	1.50	158	127	9.07	2.9	1.65	185	108	7.75	2.8	1.40	205	97	6.96	2.7	1.55	238	84	6.00	2.6	1.75	254	79	5.64	2.6	1.85	295	68	4.85	2.5	2.10	329	61	4.34	2.4	2.30	386	52	3.70	2.3	2.50	302	68	4.73	4.9	1.75	354	58	4.04	4.7	2.40	386	53	3.70	4.6	2.80	440	47	3.25	4.4	3.80	464	44	3.08	4.3	4.20	530	39	2.70	4.2	5.30	588	35	2.43	4.0	5.90	671	31	2.13	3.9	6.30	761	27	1.88	3.7	6.70	856	24	1.67	3.6	7.00	1007	20	1.42	3.4	7.30																																																																																																																											
124	161	11.54	7.2	2.90			143	140	10.00	6.9	3.20	164	121			8.70	6.6	3.40	184	109			7.79	6.4	3.30	38	521	37.30	4.3	0.80	GR59 GRF59		4P		141	137	10.11			2.2	1.15	41			489	35.07	4.9	0.85	47			421	30.18	4.8	1.00	53	376	26.97	4.7	1.10	65	306	21.93	4.6	1.40	GR59 GRF59	4P	151	128	9.47	2.4	1.20			77	260	18.60	4.4	1.60			85	234	16.79	4.3	1.80			97	206	14.77	4.2	2.00			103	195	13.95	4.2	2.10			120	166	11.88	4.0	2.30	133	151	10.79	3.9	2.40			153	131	9.35	3.8	2.70		158	126		9.06	3.8	2.80	179	111	7.97	3.7			3.00	108	185	26.31	4.2	2.20	GR59 GRF59			2P	157	123	18.05			2.4	1.45	114			176	24.99	4.1	2.30	130			154	21.93	4.0	2.70	153		131	18.60		3.8	3.10	169		118	16.79		3.7	3.50	192	104	14.77	3.6	3.80	204	98	13.95			3.6	4.00	74	269	19.27			3.4	1.05	88	226	16.22			3.3	1.15	98	203	14.56			3.2	1.20	114	175	12.54	3.1	1.35	121	165	11.79	3.1	1.40	141	142	10.15	3.0	1.50	158	127	9.07	2.9	1.65	185	108	7.75	2.8	1.40	205	97	6.96	2.7	1.55	238	84	6.00	2.6	1.75	254	79	5.64	2.6	1.85	295	68	4.85	2.5	2.10	329	61	4.34	2.4	2.30	386	52	3.70	2.3	2.50	302	68	4.73	4.9	1.75	354	58	4.04	4.7	2.40	386	53	3.70	4.6	2.80	440	47	3.25	4.4	3.80	464	44	3.08	4.3	4.20	530	39	2.70	4.2	5.30	588	35	2.43	4.0	5.90	671	31	2.13	3.9	6.30	761	27	1.88	3.7	6.70	856	24	1.67	3.6	7.00	1007	20	1.42	3.4	7.30																																																																																																																																		
143	140	10.00	6.9	3.20			164	121	8.70	6.6	3.40	184	109			7.79	6.4	3.30	38	521			37.30	4.3	0.80	GR59 GRF59	4P	141	137	10.11		2.2		1.15	41	489	35.07			4.9	0.85	47			421	30.18	4.8	1.00	53	376	26.97	4.7	1.10	65	306	21.93	4.6	1.40	GR59 GRF59	4P	151	128	9.47	2.4	1.20			77	260	18.60	4.4	1.60			85	234	16.79	4.3	1.80			97	206	14.77	4.2	2.00			103	195	13.95	4.2	2.10			120	166	11.88	4.0	2.30			133	151	10.79	3.9	2.40	153	131	9.35	3.8	2.70			158	126	9.06	3.8	2.80		179	111		7.97	3.7	3.00	108	185	26.31	4.2			2.20	GR59 GRF59	2P	157	123	18.05		2.4	1.45		114	176	24.99			4.1	2.30	130			154	21.93	4.0	2.70	153			131	18.60	3.8	3.10	169		118	16.79		3.7	3.50	192		104	14.77		3.6	3.80	204	98	13.95	3.6	4.00	74	269	19.27			3.4	1.05	88	226	16.22			3.3	1.15	98	203	14.56			3.2	1.20	114	175	12.54	3.1	1.35	121	165	11.79	3.1	1.40	141	142	10.15	3.0	1.50	158	127	9.07	2.9	1.65	185	108	7.75	2.8	1.40	205	97	6.96	2.7	1.55	238	84	6.00	2.6	1.75	254	79	5.64	2.6	1.85	295	68	4.85	2.5	2.10	329	61	4.34	2.4	2.30	386	52	3.70	2.3	2.50	302	68	4.73	4.9	1.75	354	58	4.04	4.7	2.40	386	53	3.70	4.6	2.80	440	47	3.25	4.4	3.80	464	44	3.08	4.3	4.20	530	39	2.70	4.2	5.30	588	35	2.43	4.0	5.90	671	31	2.13	3.9	6.30	761	27	1.88	3.7	6.70	856	24	1.67	3.6	7.00	1007	20	1.42	3.4	7.30																																																																																																																																									
164	121	8.70	6.6	3.40			184	109	7.79	6.4	3.30	38	521			37.30	4.3	0.80	GR59 GRF59	4P	141	137	10.11	2.2	1.15			41	489	35.07		4.9		0.85	47	421	30.18			4.8	1.00	53	376	26.97	4.7	1.10	65	306	21.93	4.6	1.40	GR59 GRF59	4P	151	128	9.47	2.4	1.20			77	260	18.60	4.4	1.60			85	234	16.79	4.3	1.80			97	206	14.77	4.2	2.00			103	195	13.95	4.2	2.10			120	166	11.88	4.0	2.30			133	151	10.79	3.9	2.40			153	131	9.35	3.8	2.70	158	126	9.06	3.8	2.80			179	111	7.97	3.7	3.00		108	185		26.31	4.2	2.20	GR59 GRF59	2P	157	123	18.05	2.4	1.45			114	176	24.99		4.1	2.30		130	154	21.93			4.0	2.70	153			131	18.60	3.8	3.10	169			118	16.79	3.7	3.50	192		104	14.77		3.6	3.80	204		98	13.95		3.6	4.00	74	269	19.27	3.4	1.05	88	226	16.22			3.3	1.15	98	203	14.56			3.2	1.20	114	175	12.54	3.1	1.35	121	165	11.79	3.1	1.40	141	142	10.15	3.0	1.50	158	127	9.07	2.9	1.65	185	108	7.75	2.8	1.40	205	97	6.96	2.7	1.55	238	84	6.00	2.6	1.75	254	79	5.64	2.6	1.85	295	68	4.85	2.5	2.10	329	61	4.34	2.4	2.30	386	52	3.70	2.3	2.50	302	68	4.73	4.9	1.75	354	58	4.04	4.7	2.40	386	53	3.70	4.6	2.80	440	47	3.25	4.4	3.80	464	44	3.08	4.3	4.20	530	39	2.70	4.2	5.30	588	35	2.43	4.0	5.90	671	31	2.13	3.9	6.30	761	27	1.88	3.7	6.70	856	24	1.67	3.6	7.00	1007	20	1.42	3.4	7.30																																																																																																																																																
184	109	7.79	6.4	3.30			38	521	37.30	4.3	0.80	GR59 GRF59	4P	141	137	10.11	2.2	1.15			41	489	35.07	4.9	0.85			47	421	30.18		4.8		1.00	53	376	26.97	4.7	1.10	65	306	21.93	4.6	1.40	GR59 GRF59	4P	151	128	9.47	2.4	1.20			77	260	18.60	4.4	1.60			85	234	16.79	4.3	1.80			97	206	14.77	4.2	2.00			103	195	13.95	4.2	2.10			120	166	11.88	4.0	2.30			133	151	10.79	3.9	2.40			153	131	9.35	3.8	2.70			158	126	9.06	3.8	2.80	179	111	7.97	3.7	3.00			108	185	26.31	4.2	2.20	GR59 GRF59	2P	157	123	18.05	2.4	1.45			114	176	24.99	4.1	2.30			130	154	21.93		4.0	2.70		153	131	18.60			3.8	3.10	169			118	16.79	3.7	3.50	192			104	14.77	3.6	3.80	204		98	13.95		3.6	4.00	74		269	19.27		3.4	1.05	88	226	16.22	3.3	1.15	98	203	14.56			3.2	1.20	114	175	12.54	3.1	1.35	121	165	11.79	3.1	1.40	141	142	10.15	3.0	1.50	158	127	9.07	2.9	1.65	185	108	7.75	2.8	1.40	205	97	6.96	2.7	1.55	238	84	6.00	2.6	1.75	254	79	5.64	2.6	1.85	295	68	4.85	2.5	2.10	329	61	4.34	2.4	2.30	386	52	3.70	2.3	2.50	302	68	4.73	4.9	1.75	354	58	4.04	4.7	2.40	386	53	3.70	4.6	2.80	440	47	3.25	4.4	3.80	464	44	3.08	4.3	4.20	530	39	2.70	4.2	5.30	588	35	2.43	4.0	5.90	671	31	2.13	3.9	6.30	761	27	1.88	3.7	6.70	856	24	1.67	3.6	7.00	1007	20	1.42	3.4	7.30																																																																																																																																																							
38	521	37.30	4.3	0.80	GR59 GRF59	4P	141	137	10.11	2.2	1.15			41	489	35.07	4.9	0.85			47	421	30.18	4.8	1.00			53	376	26.97	4.7	1.10	65	306	21.93	4.6	1.40	GR59 GRF59	4P	151	128	9.47	2.4	1.20			77	260	18.60	4.4	1.60			85	234	16.79	4.3	1.80			97	206	14.77	4.2	2.00			103	195	13.95	4.2	2.10			120	166	11.88	4.0	2.30			133	151	10.79	3.9	2.40			153	131	9.35	3.8	2.70			158	126	9.06	3.8	2.80			179	111	7.97	3.7	3.00	108	185	26.31	4.2	2.20	GR59 GRF59	2P	157	123	18.05	2.4	1.45			114	176	24.99	4.1	2.30			130	154	21.93	4.0	2.70			153	131	18.60		3.8	3.10		169	118	16.79			3.7	3.50	192			104	14.77	3.6	3.80	204			98	13.95	3.6	4.00	74		269	19.27		3.4	1.05	88		226	16.22		3.3	1.15	98	203	14.56	3.2	1.20	114	175	12.54	3.1	1.35	121	165	11.79	3.1	1.40	141	142	10.15	3.0	1.50	158	127	9.07	2.9	1.65	185	108	7.75	2.8	1.40	205	97	6.96	2.7	1.55	238	84	6.00	2.6	1.75	254	79	5.64	2.6	1.85	295	68	4.85	2.5	2.10	329	61	4.34	2.4	2.30	386	52	3.70	2.3	2.50	302	68	4.73	4.9	1.75	354	58	4.04	4.7	2.40	386	53	3.70	4.6	2.80	440	47	3.25	4.4	3.80	464	44	3.08	4.3	4.20	530	39	2.70	4.2	5.30	588	35	2.43	4.0	5.90	671	31	2.13	3.9	6.30	761	27	1.88	3.7	6.70	856	24	1.67	3.6	7.00	1007	20	1.42	3.4	7.30																																																																																																																																																														
41	489	35.07	4.9	0.85			47	421	30.18	4.8	1.00			53	376	26.97	4.7	1.10			65	306	21.93	4.6	1.40	GR59 GRF59	4P	151	128	9.47	2.4	1.20	77	260	18.60	4.4	1.60			85	234	16.79	4.3	1.80			97	206	14.77	4.2	2.00			103	195	13.95	4.2	2.10			120	166	11.88	4.0	2.30			133	151	10.79	3.9	2.40			153	131	9.35	3.8	2.70			158	126	9.06	3.8	2.80			179	111	7.97	3.7	3.00			108	185	26.31	4.2	2.20	GR59 GRF59	2P	157	123	18.05	2.4	1.45	114	176	24.99	4.1	2.30			130	154	21.93	4.0	2.70			153	131	18.60	3.8	3.10			169	118	16.79	3.7	3.50			192	104	14.77		3.6	3.80		204	98	13.95			3.6	4.00	74			269	19.27	3.4	1.05	88			226	16.22	3.3	1.15	98		203	14.56		3.2	1.20	114	175	12.54	3.1	1.35	121	165	11.79	3.1	1.40	141	142	10.15	3.0	1.50	158	127	9.07	2.9	1.65	185	108	7.75	2.8	1.40	205	97	6.96	2.7	1.55	238	84	6.00	2.6	1.75	254	79	5.64	2.6	1.85	295	68	4.85	2.5	2.10	329	61	4.34	2.4	2.30	386	52	3.70	2.3	2.50	302	68	4.73	4.9	1.75	354	58	4.04	4.7	2.40	386	53	3.70	4.6	2.80	440	47	3.25	4.4	3.80	464	44	3.08	4.3	4.20	530	39	2.70	4.2	5.30	588	35	2.43	4.0	5.90	671	31	2.13	3.9	6.30	761	27	1.88	3.7	6.70	856	24	1.67	3.6	7.00	1007	20	1.42	3.4	7.30																																																																																																																																																																										
47	421	30.18	4.8	1.00			53	376	26.97	4.7	1.10			65	306	21.93	4.6	1.40	GR59 GRF59	4P	151	128	9.47	2.4	1.20			77	260	18.60	4.4	1.60	85	234	16.79	4.3	1.80			97	206	14.77	4.2	2.00			103	195	13.95	4.2	2.10			120	166	11.88	4.0	2.30			133	151	10.79	3.9	2.40			153	131	9.35	3.8	2.70			158	126	9.06	3.8	2.80			179	111	7.97	3.7	3.00			108	185	26.31	4.2	2.20	GR59 GRF59	2P	157	123	18.05	2.4	1.45			114	176	24.99	4.1	2.30	130	154	21.93	4.0	2.70			153	131	18.60	3.8	3.10			169	118	16.79	3.7	3.50			192	104	14.77	3.6	3.80			204	98	13.95		3.6	4.00		74	269	19.27			3.4	1.05	88			226	16.22	3.3	1.15	98			203	14.56	3.2	1.20	114	175	12.54	3.1	1.35	121	165	11.79	3.1	1.40	141	142	10.15	3.0	1.50	158	127	9.07	2.9	1.65	185	108	7.75	2.8	1.40	205	97	6.96	2.7	1.55	238	84	6.00	2.6	1.75	254	79	5.64	2.6	1.85	295	68	4.85	2.5	2.10	329	61	4.34	2.4	2.30	386	52	3.70	2.3	2.50	302	68	4.73	4.9	1.75	354	58	4.04	4.7	2.40	386	53	3.70	4.6	2.80	440	47	3.25	4.4	3.80	464	44	3.08	4.3	4.20	530	39	2.70	4.2	5.30	588	35	2.43	4.0	5.90	671	31	2.13	3.9	6.30	761	27	1.88	3.7	6.70	856	24	1.67	3.6	7.00	1007	20	1.42	3.4	7.30																																																																																																																																																																																	
53	376	26.97	4.7	1.10			65	306	21.93	4.6	1.40	GR59 GRF59	4P	151	128	9.47	2.4	1.20			77	260	18.60	4.4	1.60			85	234	16.79	4.3	1.80	97	206	14.77	4.2	2.00			103	195	13.95	4.2	2.10			120	166	11.88	4.0	2.30			133	151	10.79	3.9	2.40			153	131	9.35	3.8	2.70			158	126	9.06	3.8	2.80			179	111	7.97	3.7	3.00			108	185	26.31	4.2	2.20	GR59 GRF59	2P	157	123	18.05	2.4	1.45			114	176	24.99	4.1	2.30			130	154	21.93	4.0	2.70	153	131	18.60	3.8	3.10			169	118	16.79	3.7	3.50			192	104	14.77	3.6	3.80			204	98	13.95	3.6	4.00			74	269	19.27		3.4	1.05		88	226	16.22			3.3	1.15	98			203	14.56	3.2	1.20	114	175	12.54	3.1	1.35	121	165	11.79	3.1	1.40	141	142	10.15	3.0	1.50	158	127	9.07	2.9	1.65	185	108	7.75	2.8	1.40	205	97	6.96	2.7	1.55	238	84	6.00	2.6	1.75	254	79	5.64	2.6	1.85	295	68	4.85	2.5	2.10	329	61	4.34	2.4	2.30	386	52	3.70	2.3	2.50	302	68	4.73	4.9	1.75	354	58	4.04	4.7	2.40	386	53	3.70	4.6	2.80	440	47	3.25	4.4	3.80	464	44	3.08	4.3	4.20	530	39	2.70	4.2	5.30	588	35	2.43	4.0	5.90	671	31	2.13	3.9	6.30	761	27	1.88	3.7	6.70	856	24	1.67	3.6	7.00	1007	20	1.42	3.4	7.30																																																																																																																																																																																								
65	306	21.93	4.6	1.40	GR59 GRF59	4P	151	128	9.47	2.4	1.20			77	260	18.60	4.4	1.60			85	234	16.79	4.3	1.80			97	206	14.77	4.2	2.00	103	195	13.95	4.2	2.10			120	166	11.88	4.0	2.30			133	151	10.79	3.9	2.40			153	131	9.35	3.8	2.70			158	126	9.06	3.8	2.80			179	111	7.97	3.7	3.00			108	185	26.31	4.2	2.20	GR59 GRF59	2P	157	123	18.05	2.4	1.45			114	176	24.99	4.1	2.30			130	154	21.93	4.0	2.70			153	131	18.60	3.8	3.10	169	118	16.79	3.7	3.50			192	104	14.77	3.6	3.80			204	98	13.95	3.6	4.00			74	269	19.27	3.4	1.05			88	226	16.22		3.3	1.15		98	203	14.56			3.2	1.20	114	175	12.54	3.1	1.35	121	165	11.79	3.1	1.40	141	142	10.15	3.0	1.50	158	127	9.07	2.9	1.65	185	108	7.75	2.8	1.40	205	97	6.96	2.7	1.55	238	84	6.00	2.6	1.75	254	79	5.64	2.6	1.85	295	68	4.85	2.5	2.10	329	61	4.34	2.4	2.30	386	52	3.70	2.3	2.50	302	68	4.73	4.9	1.75	354	58	4.04	4.7	2.40	386	53	3.70	4.6	2.80	440	47	3.25	4.4	3.80	464	44	3.08	4.3	4.20	530	39	2.70	4.2	5.30	588	35	2.43	4.0	5.90	671	31	2.13	3.9	6.30	761	27	1.88	3.7	6.70	856	24	1.67	3.6	7.00	1007	20	1.42	3.4	7.30																																																																																																																																																																																															
77	260	18.60	4.4	1.60			85	234	16.79	4.3	1.80			97	206	14.77	4.2	2.00			103	195	13.95	4.2	2.10			120	166	11.88	4.0	2.30	133	151	10.79	3.9	2.40			153	131	9.35	3.8	2.70			158	126	9.06	3.8	2.80			179	111	7.97	3.7	3.00			108	185	26.31	4.2	2.20			GR59 GRF59	2P	157	123	18.05	2.4	1.45	114	176	24.99	4.1	2.30			130	154	21.93	4.0	2.70			153	131	18.60	3.8	3.10			169	118	16.79	3.7	3.50			192	104	14.77	3.6	3.80	204	98	13.95	3.6	4.00			74	269	19.27	3.4	1.05			88	226	16.22	3.3	1.15			98	203	14.56	3.2	1.20			114	175	12.54		3.1	1.35		121	165	11.79	3.1	1.40	141	142	10.15	3.0	1.50	158	127	9.07	2.9	1.65	185	108	7.75	2.8	1.40	205	97	6.96	2.7	1.55	238	84	6.00	2.6	1.75	254	79	5.64	2.6	1.85	295	68	4.85	2.5	2.10	329	61	4.34	2.4	2.30	386	52	3.70	2.3	2.50	302	68	4.73	4.9	1.75	354	58	4.04	4.7	2.40	386	53	3.70	4.6	2.80	440	47	3.25	4.4	3.80	464	44	3.08	4.3	4.20	530	39	2.70	4.2	5.30	588	35	2.43	4.0	5.90	671	31	2.13	3.9	6.30	761	27	1.88	3.7	6.70	856	24	1.67	3.6	7.00	1007	20	1.42	3.4	7.30																																																																																																																																																																																																											
85	234	16.79	4.3	1.80			97	206	14.77	4.2	2.00			103	195	13.95	4.2	2.10			120	166	11.88	4.0	2.30			133	151	10.79	3.9	2.40	153	131	9.35	3.8	2.70			158	126	9.06	3.8	2.80			179	111	7.97	3.7	3.00			108	185	26.31	4.2	2.20			GR59 GRF59	2P	157	123	18.05	2.4	1.45			114	176	24.99	4.1	2.30	130	154	21.93	4.0	2.70			153	131	18.60	3.8	3.10			169	118	16.79	3.7	3.50			192	104	14.77	3.6	3.80			204	98	13.95	3.6	4.00	74	269	19.27	3.4	1.05			88	226	16.22	3.3	1.15			98	203	14.56	3.2	1.20			114	175	12.54	3.1	1.35			121	165	11.79	3.1	1.40	141	142	10.15	3.0	1.50	158	127	9.07	2.9	1.65	185	108	7.75	2.8	1.40	205	97	6.96	2.7	1.55	238	84	6.00	2.6	1.75	254	79	5.64	2.6	1.85	295	68	4.85	2.5	2.10	329	61	4.34	2.4	2.30	386	52	3.70	2.3	2.50	302	68	4.73	4.9	1.75	354	58	4.04	4.7	2.40	386	53	3.70	4.6	2.80	440	47	3.25	4.4	3.80	464	44	3.08	4.3	4.20	530	39	2.70	4.2	5.30	588	35	2.43	4.0	5.90	671	31	2.13	3.9	6.30	761	27	1.88	3.7	6.70	856	24	1.67	3.6	7.00	1007	20	1.42	3.4	7.30																																																																																																																																																																																																																		
97	206	14.77	4.2	2.00			103	195	13.95	4.2	2.10			120	166	11.88	4.0	2.30			133	151	10.79	3.9	2.40			153	131	9.35	3.8	2.70	158	126	9.06	3.8	2.80			179	111	7.97	3.7	3.00			108	185	26.31	4.2	2.20			GR59 GRF59	2P	157	123	18.05	2.4	1.45			114	176	24.99	4.1	2.30			130	154	21.93	4.0	2.70	153	131	18.60	3.8	3.10			169	118	16.79	3.7	3.50			192	104	14.77	3.6	3.80			204	98	13.95	3.6	4.00			74	269	19.27	3.4	1.05	88	226	16.22	3.3	1.15			98	203	14.56	3.2	1.20			114	175	12.54	3.1	1.35			121	165	11.79	3.1	1.40	141	142	10.15	3.0	1.50	158	127	9.07	2.9	1.65	185	108	7.75	2.8	1.40	205	97	6.96	2.7	1.55	238	84	6.00	2.6	1.75	254	79	5.64	2.6	1.85	295	68	4.85	2.5	2.10	329	61	4.34	2.4	2.30	386	52	3.70	2.3	2.50	302	68	4.73	4.9	1.75	354	58	4.04	4.7	2.40	386	53	3.70	4.6	2.80	440	47	3.25	4.4	3.80	464	44	3.08	4.3	4.20	530	39	2.70	4.2	5.30	588	35	2.43	4.0	5.90	671	31	2.13	3.9	6.30	761	27	1.88	3.7	6.70	856	24	1.67	3.6	7.00	1007	20	1.42	3.4	7.30																																																																																																																																																																																																																									
103	195	13.95	4.2	2.10			120	166	11.88	4.0	2.30			133	151	10.79	3.9	2.40			153	131	9.35	3.8	2.70			158	126	9.06	3.8	2.80	179	111	7.97	3.7	3.00			108	185	26.31	4.2	2.20			GR59 GRF59	2P	157	123	18.05	2.4	1.45			114	176	24.99	4.1	2.30			130	154	21.93	4.0	2.70			153	131	18.60	3.8	3.10	169	118	16.79	3.7	3.50			192	104	14.77	3.6	3.80			204	98	13.95	3.6	4.00			74	269	19.27	3.4	1.05			88	226	16.22	3.3	1.15	98	203	14.56	3.2	1.20			114	175	12.54	3.1	1.35			121	165	11.79	3.1	1.40	141	142	10.15	3.0	1.50	158	127	9.07	2.9	1.65	185	108	7.75	2.8	1.40	205	97	6.96	2.7	1.55	238	84	6.00	2.6	1.75	254	79	5.64	2.6	1.85	295	68	4.85	2.5	2.10	329	61	4.34	2.4	2.30	386	52	3.70	2.3	2.50	302	68	4.73	4.9	1.75	354	58	4.04	4.7	2.40	386	53	3.70	4.6	2.80	440	47	3.25	4.4	3.80	464	44	3.08	4.3	4.20	530	39	2.70	4.2	5.30	588	35	2.43	4.0	5.90	671	31	2.13	3.9	6.30	761	27	1.88	3.7	6.70	856	24	1.67	3.6	7.00	1007	20	1.42	3.4	7.30																																																																																																																																																																																																																																
120	166	11.88	4.0	2.30			133	151	10.79	3.9	2.40			153	131	9.35	3.8	2.70			158	126	9.06	3.8	2.80			179	111	7.97	3.7	3.00	108	185	26.31	4.2	2.20			GR59 GRF59	2P	157	123	18.05	2.4	1.45			114	176	24.99	4.1	2.30			130	154	21.93	4.0	2.70			153	131	18.60	3.8	3.10			169	118	16.79	3.7	3.50	192	104	14.77	3.6	3.80			204	98	13.95	3.6	4.00			74	269	19.27	3.4	1.05			88	226	16.22	3.3	1.15			98	203	14.56	3.2	1.20	114	175	12.54	3.1	1.35			121	165	11.79	3.1	1.40	141	142	10.15	3.0	1.50	158	127	9.07	2.9	1.65	185	108	7.75	2.8	1.40	205	97	6.96	2.7	1.55	238	84	6.00	2.6	1.75	254	79	5.64	2.6	1.85	295	68	4.85	2.5	2.10	329	61	4.34	2.4	2.30	386	52	3.70	2.3	2.50	302	68	4.73	4.9	1.75	354	58	4.04	4.7	2.40	386	53	3.70	4.6	2.80	440	47	3.25	4.4	3.80	464	44	3.08	4.3	4.20	530	39	2.70	4.2	5.30	588	35	2.43	4.0	5.90	671	31	2.13	3.9	6.30	761	27	1.88	3.7	6.70	856	24	1.67	3.6	7.00	1007	20	1.42	3.4	7.30																																																																																																																																																																																																																																							
133	151	10.79	3.9	2.40			153	131	9.35	3.8	2.70			158	126	9.06	3.8	2.80			179	111	7.97	3.7	3.00			108	185	26.31	4.2	2.20	GR59 GRF59	2P	157	123	18.05	2.4	1.45			114	176	24.99	4.1	2.30			130	154	21.93	4.0	2.70			153	131	18.60	3.8	3.10			169	118	16.79	3.7	3.50			192	104	14.77	3.6	3.80	204	98	13.95	3.6	4.00			74	269	19.27	3.4	1.05			88	226	16.22	3.3	1.15			98	203	14.56	3.2	1.20			114	175	12.54	3.1	1.35	121	165	11.79	3.1	1.40	141	142	10.15	3.0	1.50	158	127	9.07	2.9	1.65	185	108	7.75	2.8	1.40	205	97	6.96	2.7	1.55	238	84	6.00	2.6	1.75	254	79	5.64	2.6	1.85	295	68	4.85	2.5	2.10	329	61	4.34	2.4	2.30	386	52	3.70	2.3	2.50	302	68	4.73	4.9	1.75	354	58	4.04	4.7	2.40	386	53	3.70	4.6	2.80	440	47	3.25	4.4	3.80	464	44	3.08	4.3	4.20	530	39	2.70	4.2	5.30	588	35	2.43	4.0	5.90	671	31	2.13	3.9	6.30	761	27	1.88	3.7	6.70	856	24	1.67	3.6	7.00	1007	20	1.42	3.4	7.30																																																																																																																																																																																																																																														
153	131	9.35	3.8	2.70			158	126	9.06	3.8	2.80			179	111	7.97	3.7	3.00			108	185	26.31	4.2	2.20	GR59 GRF59	2P	157	123	18.05	2.4	1.45			114	176	24.99	4.1	2.30			130	154	21.93	4.0	2.70			153	131	18.60	3.8	3.10			169	118	16.79	3.7	3.50			192	104	14.77	3.6	3.80			204	98	13.95	3.6	4.00	74	269	19.27	3.4	1.05			88	226	16.22	3.3	1.15			98	203	14.56	3.2	1.20			114	175	12.54	3.1	1.35	121	165	11.79	3.1	1.40	141	142	10.15	3.0	1.50	158	127	9.07	2.9	1.65	185	108	7.75	2.8	1.40	205	97	6.96	2.7	1.55	238	84	6.00	2.6	1.75	254	79	5.64	2.6	1.85	295	68	4.85	2.5	2.10	329	61	4.34	2.4	2.30	386	52	3.70	2.3	2.50	302	68	4.73	4.9	1.75	354	58	4.04	4.7	2.40	386	53	3.70	4.6	2.80	440	47	3.25	4.4	3.80	464	44	3.08	4.3	4.20	530	39	2.70	4.2	5.30	588	35	2.43	4.0	5.90	671	31	2.13	3.9	6.30	761	27	1.88	3.7	6.70	856	24	1.67	3.6	7.00	1007	20	1.42	3.4	7.30																																																																																																																																																																																																																																																					
158	126	9.06	3.8	2.80			179	111	7.97	3.7	3.00			108	185	26.31	4.2	2.20	GR59 GRF59	2P	157	123	18.05	2.4	1.45			114	176	24.99	4.1	2.30			130	154	21.93	4.0	2.70			153	131	18.60	3.8	3.10			169	118	16.79	3.7	3.50			192	104	14.77	3.6	3.80			204	98	13.95	3.6	4.00			74	269	19.27	3.4	1.05	88	226	16.22	3.3	1.15			98	203	14.56	3.2	1.20			114	175	12.54	3.1	1.35	121	165	11.79	3.1	1.40	141	142	10.15	3.0	1.50	158	127	9.07	2.9	1.65	185	108	7.75	2.8	1.40	205	97	6.96	2.7	1.55	238	84	6.00	2.6	1.75	254	79	5.64	2.6	1.85	295	68	4.85	2.5	2.10	329	61	4.34	2.4	2.30	386	52	3.70	2.3	2.50	302	68	4.73	4.9	1.75	354	58	4.04	4.7	2.40	386	53	3.70	4.6	2.80	440	47	3.25	4.4	3.80	464	44	3.08	4.3	4.20	530	39	2.70	4.2	5.30	588	35	2.43	4.0	5.90	671	31	2.13	3.9	6.30	761	27	1.88	3.7	6.70	856	24	1.67	3.6	7.00	1007	20	1.42	3.4	7.30																																																																																																																																																																																																																																																												
179	111	7.97	3.7	3.00			108	185	26.31	4.2	2.20	GR59 GRF59	2P	157	123	18.05	2.4	1.45			114	176	24.99	4.1	2.30			130	154	21.93	4.0	2.70			153	131	18.60	3.8	3.10			169	118	16.79	3.7	3.50			192	104	14.77	3.6	3.80			204	98	13.95	3.6	4.00			74	269	19.27	3.4	1.05			88	226	16.22	3.3	1.15	98	203	14.56	3.2	1.20			114	175	12.54	3.1	1.35	121	165	11.79	3.1	1.40	141	142	10.15	3.0	1.50	158	127	9.07	2.9	1.65	185	108	7.75	2.8	1.40	205	97	6.96	2.7	1.55	238	84	6.00	2.6	1.75	254	79	5.64	2.6	1.85	295	68	4.85	2.5	2.10	329	61	4.34	2.4	2.30	386	52	3.70	2.3	2.50	302	68	4.73	4.9	1.75	354	58	4.04	4.7	2.40	386	53	3.70	4.6	2.80	440	47	3.25	4.4	3.80	464	44	3.08	4.3	4.20	530	39	2.70	4.2	5.30	588	35	2.43	4.0	5.90	671	31	2.13	3.9	6.30	761	27	1.88	3.7	6.70	856	24	1.67	3.6	7.00	1007	20	1.42	3.4	7.30																																																																																																																																																																																																																																																																			
108	185	26.31	4.2	2.20	GR59 GRF59	2P	157	123	18.05	2.4	1.45			114	176	24.99	4.1	2.30			130	154	21.93	4.0	2.70			153	131	18.60	3.8	3.10			169	118	16.79	3.7	3.50			192	104	14.77	3.6	3.80			204	98	13.95	3.6	4.00			74	269	19.27	3.4	1.05			88	226	16.22	3.3	1.15			98	203	14.56	3.2	1.20	114	175	12.54	3.1	1.35	121	165	11.79	3.1	1.40	141	142	10.15	3.0	1.50	158	127	9.07	2.9	1.65	185	108	7.75	2.8	1.40	205	97	6.96	2.7	1.55	238	84	6.00	2.6	1.75	254	79	5.64	2.6	1.85	295	68	4.85	2.5	2.10	329	61	4.34	2.4	2.30	386	52	3.70	2.3	2.50	302	68	4.73	4.9	1.75	354	58	4.04	4.7	2.40	386	53	3.70	4.6	2.80	440	47	3.25	4.4	3.80	464	44	3.08	4.3	4.20	530	39	2.70	4.2	5.30	588	35	2.43	4.0	5.90	671	31	2.13	3.9	6.30	761	27	1.88	3.7	6.70	856	24	1.67	3.6	7.00	1007	20	1.42	3.4	7.30																																																																																																																																																																																																																																																																										
114	176	24.99	4.1	2.30			130	154	21.93	4.0	2.70			153	131	18.60	3.8	3.10			169	118	16.79	3.7	3.50			192	104	14.77	3.6	3.80			204	98	13.95	3.6	4.00			74	269	19.27	3.4	1.05			88	226	16.22	3.3	1.15			98	203	14.56	3.2	1.20			114	175	12.54	3.1	1.35	121	165	11.79	3.1	1.40	141	142	10.15	3.0	1.50	158	127	9.07	2.9	1.65	185	108	7.75	2.8	1.40	205	97	6.96	2.7	1.55	238	84	6.00	2.6	1.75	254	79	5.64	2.6	1.85	295	68	4.85	2.5	2.10	329	61	4.34	2.4	2.30	386	52	3.70	2.3	2.50	302	68	4.73	4.9	1.75	354	58	4.04	4.7	2.40	386	53	3.70	4.6	2.80	440	47	3.25	4.4	3.80	464	44	3.08	4.3	4.20	530	39	2.70	4.2	5.30	588	35	2.43	4.0	5.90	671	31	2.13	3.9	6.30	761	27	1.88	3.7	6.70	856	24	1.67	3.6	7.00	1007	20	1.42	3.4	7.30																																																																																																																																																																																																																																																																																						
130	154	21.93	4.0	2.70			153	131	18.60	3.8	3.10			169	118	16.79	3.7	3.50			192	104	14.77	3.6	3.80			204	98	13.95	3.6	4.00			74	269	19.27	3.4	1.05			88	226	16.22	3.3	1.15			98	203	14.56	3.2	1.20			114	175	12.54	3.1	1.35	121	165	11.79	3.1	1.40	141	142	10.15	3.0	1.50	158	127	9.07	2.9	1.65	185	108	7.75	2.8	1.40	205	97	6.96	2.7	1.55	238	84	6.00	2.6	1.75	254	79	5.64	2.6	1.85	295	68	4.85	2.5	2.10	329	61	4.34	2.4	2.30	386	52	3.70	2.3	2.50	302	68	4.73	4.9	1.75	354	58	4.04	4.7	2.40	386	53	3.70	4.6	2.80	440	47	3.25	4.4	3.80	464	44	3.08	4.3	4.20	530	39	2.70	4.2	5.30	588	35	2.43	4.0	5.90	671	31	2.13	3.9	6.30	761	27	1.88	3.7	6.70	856	24	1.67	3.6	7.00	1007	20	1.42	3.4	7.30																																																																																																																																																																																																																																																																																													
153	131	18.60	3.8	3.10			169	118	16.79	3.7	3.50			192	104	14.77	3.6	3.80			204	98	13.95	3.6	4.00			74	269	19.27	3.4	1.05			88	226	16.22	3.3	1.15			98	203	14.56	3.2	1.20			114	175	12.54	3.1	1.35	121	165	11.79	3.1	1.40	141	142	10.15	3.0	1.50	158	127	9.07	2.9	1.65	185	108	7.75	2.8	1.40	205	97	6.96	2.7	1.55	238	84	6.00	2.6	1.75	254	79	5.64	2.6	1.85	295	68	4.85	2.5	2.10	329	61	4.34	2.4	2.30	386	52	3.70	2.3	2.50	302	68	4.73	4.9	1.75	354	58	4.04	4.7	2.40	386	53	3.70	4.6	2.80	440	47	3.25	4.4	3.80	464	44	3.08	4.3	4.20	530	39	2.70	4.2	5.30	588	35	2.43	4.0	5.90	671	31	2.13	3.9	6.30	761	27	1.88	3.7	6.70	856	24	1.67	3.6	7.00	1007	20	1.42	3.4	7.30																																																																																																																																																																																																																																																																																																				
169	118	16.79	3.7	3.50			192	104	14.77	3.6	3.80			204	98	13.95	3.6	4.00			74	269	19.27	3.4	1.05			88	226	16.22	3.3	1.15			98	203	14.56	3.2	1.20			114	175	12.54	3.1	1.35	121	165	11.79	3.1	1.40	141	142	10.15	3.0	1.50	158	127	9.07	2.9	1.65	185	108	7.75	2.8	1.40	205	97	6.96	2.7	1.55	238	84	6.00	2.6	1.75	254	79	5.64	2.6	1.85	295	68	4.85	2.5	2.10	329	61	4.34	2.4	2.30	386	52	3.70	2.3	2.50	302	68	4.73	4.9	1.75	354	58	4.04	4.7	2.40	386	53	3.70	4.6	2.80	440	47	3.25	4.4	3.80	464	44	3.08	4.3	4.20	530	39	2.70	4.2	5.30	588	35	2.43	4.0	5.90	671	31	2.13	3.9	6.30	761	27	1.88	3.7	6.70	856	24	1.67	3.6	7.00	1007	20	1.42	3.4	7.30																																																																																																																																																																																																																																																																																																											
192	104	14.77	3.6	3.80			204	98	13.95	3.6	4.00			74	269	19.27	3.4	1.05			88	226	16.22	3.3	1.15			98	203	14.56	3.2	1.20			114	175	12.54	3.1	1.35	121	165	11.79	3.1	1.40	141	142	10.15	3.0	1.50	158	127	9.07	2.9	1.65	185	108	7.75	2.8	1.40	205	97	6.96	2.7	1.55	238	84	6.00	2.6	1.75	254	79	5.64	2.6	1.85	295	68	4.85	2.5	2.10	329	61	4.34	2.4	2.30	386	52	3.70	2.3	2.50	302	68	4.73	4.9	1.75	354	58	4.04	4.7	2.40	386	53	3.70	4.6	2.80	440	47	3.25	4.4	3.80	464	44	3.08	4.3	4.20	530	39	2.70	4.2	5.30	588	35	2.43	4.0	5.90	671	31	2.13	3.9	6.30	761	27	1.88	3.7	6.70	856	24	1.67	3.6	7.00	1007	20	1.42	3.4	7.30																																																																																																																																																																																																																																																																																																																		
204	98	13.95	3.6	4.00			74	269	19.27	3.4	1.05			88	226	16.22	3.3	1.15			98	203	14.56	3.2	1.20			114	175	12.54	3.1	1.35	121	165	11.79	3.1	1.40	141	142	10.15	3.0	1.50	158	127	9.07	2.9	1.65	185	108	7.75	2.8	1.40	205	97	6.96	2.7	1.55	238	84	6.00	2.6	1.75	254	79	5.64	2.6	1.85	295	68	4.85	2.5	2.10	329	61	4.34	2.4	2.30	386	52	3.70	2.3	2.50	302	68	4.73	4.9	1.75	354	58	4.04	4.7	2.40	386	53	3.70	4.6	2.80	440	47	3.25	4.4	3.80	464	44	3.08	4.3	4.20	530	39	2.70	4.2	5.30	588	35	2.43	4.0	5.90	671	31	2.13	3.9	6.30	761	27	1.88	3.7	6.70	856	24	1.67	3.6	7.00	1007	20	1.42	3.4	7.30																																																																																																																																																																																																																																																																																																																									
74	269	19.27	3.4	1.05			88	226	16.22	3.3	1.15			98	203	14.56	3.2	1.20			114	175	12.54	3.1	1.35	121	165	11.79	3.1	1.40	141	142	10.15	3.0	1.50	158	127	9.07	2.9	1.65	185	108	7.75	2.8	1.40	205	97	6.96	2.7	1.55	238	84	6.00	2.6	1.75	254	79	5.64	2.6	1.85	295	68	4.85	2.5	2.10	329	61	4.34	2.4	2.30	386	52	3.70	2.3	2.50	302	68	4.73	4.9	1.75	354	58	4.04	4.7	2.40	386	53	3.70	4.6	2.80	440	47	3.25	4.4	3.80	464	44	3.08	4.3	4.20	530	39	2.70	4.2	5.30	588	35	2.43	4.0	5.90	671	31	2.13	3.9	6.30	761	27	1.88	3.7	6.70	856	24	1.67	3.6	7.00	1007	20	1.42	3.4	7.30																																																																																																																																																																																																																																																																																																																																
88	226	16.22	3.3	1.15			98	203	14.56	3.2	1.20			114	175	12.54	3.1	1.35	121	165	11.79	3.1	1.40	141	142	10.15	3.0	1.50	158	127	9.07	2.9	1.65	185	108	7.75	2.8	1.40	205	97	6.96	2.7	1.55	238	84	6.00	2.6	1.75	254	79	5.64	2.6	1.85	295	68	4.85	2.5	2.10	329	61	4.34	2.4	2.30	386	52	3.70	2.3	2.50	302	68	4.73	4.9	1.75	354	58	4.04	4.7	2.40	386	53	3.70	4.6	2.80	440	47	3.25	4.4	3.80	464	44	3.08	4.3	4.20	530	39	2.70	4.2	5.30	588	35	2.43	4.0	5.90	671	31	2.13	3.9	6.30	761	27	1.88	3.7	6.70	856	24	1.67	3.6	7.00	1007	20	1.42	3.4	7.30																																																																																																																																																																																																																																																																																																																																							
98	203	14.56	3.2	1.20			114	175	12.54	3.1	1.35	121	165	11.79	3.1	1.40	141	142	10.15	3.0	1.50	158	127	9.07	2.9	1.65	185	108	7.75	2.8	1.40	205	97	6.96	2.7	1.55	238	84	6.00	2.6	1.75	254	79	5.64	2.6	1.85	295	68	4.85	2.5	2.10	329	61	4.34	2.4	2.30	386	52	3.70	2.3	2.50	302	68	4.73	4.9	1.75	354	58	4.04	4.7	2.40	386	53	3.70	4.6	2.80	440	47	3.25	4.4	3.80	464	44	3.08	4.3	4.20	530	39	2.70	4.2	5.30	588	35	2.43	4.0	5.90	671	31	2.13	3.9	6.30	761	27	1.88	3.7	6.70	856	24	1.67	3.6	7.00	1007	20	1.42	3.4	7.30																																																																																																																																																																																																																																																																																																																																														
114	175	12.54	3.1	1.35	121	165	11.79	3.1	1.40	141	142	10.15	3.0	1.50	158	127	9.07	2.9	1.65	185	108	7.75	2.8	1.40	205	97	6.96	2.7	1.55	238	84	6.00	2.6	1.75	254	79	5.64	2.6	1.85	295	68	4.85	2.5	2.10	329	61	4.34	2.4	2.30	386	52	3.70	2.3	2.50	302	68	4.73	4.9	1.75	354	58	4.04	4.7	2.40	386	53	3.70	4.6	2.80	440	47	3.25	4.4	3.80	464	44	3.08	4.3	4.20	530	39	2.70	4.2	5.30	588	35	2.43	4.0	5.90	671	31	2.13	3.9	6.30	761	27	1.88	3.7	6.70	856	24	1.67	3.6	7.00	1007	20	1.42	3.4	7.30																																																																																																																																																																																																																																																																																																																																																					
121	165	11.79	3.1	1.40	141	142	10.15	3.0	1.50	158	127	9.07	2.9	1.65	185	108	7.75	2.8	1.40	205	97	6.96	2.7	1.55	238	84	6.00	2.6	1.75	254	79	5.64	2.6	1.85	295	68	4.85	2.5	2.10	329	61	4.34	2.4	2.30	386	52	3.70	2.3	2.50	302	68	4.73	4.9	1.75	354	58	4.04	4.7	2.40	386	53	3.70	4.6	2.80	440	47	3.25	4.4	3.80	464	44	3.08	4.3	4.20	530	39	2.70	4.2	5.30	588	35	2.43	4.0	5.90	671	31	2.13	3.9	6.30	761	27	1.88	3.7	6.70	856	24	1.67	3.6	7.00	1007	20	1.42	3.4	7.30																																																																																																																																																																																																																																																																																																																																																										
141	142	10.15	3.0	1.50	158	127	9.07	2.9	1.65	185	108	7.75	2.8	1.40	205	97	6.96	2.7	1.55	238	84	6.00	2.6	1.75	254	79	5.64	2.6	1.85	295	68	4.85	2.5	2.10	329	61	4.34	2.4	2.30	386	52	3.70	2.3	2.50	302	68	4.73	4.9	1.75	354	58	4.04	4.7	2.40	386	53	3.70	4.6	2.80	440	47	3.25	4.4	3.80	464	44	3.08	4.3	4.20	530	39	2.70	4.2	5.30	588	35	2.43	4.0	5.90	671	31	2.13	3.9	6.30	761	27	1.88	3.7	6.70	856	24	1.67	3.6	7.00	1007	20	1.42	3.4	7.30																																																																																																																																																																																																																																																																																																																																																															
158	127	9.07	2.9	1.65	185	108	7.75	2.8	1.40	205	97	6.96	2.7	1.55	238	84	6.00	2.6	1.75	254	79	5.64	2.6	1.85	295	68	4.85	2.5	2.10	329	61	4.34	2.4	2.30	386	52	3.70	2.3	2.50	302	68	4.73	4.9	1.75	354	58	4.04	4.7	2.40	386	53	3.70	4.6	2.80	440	47	3.25	4.4	3.80	464	44	3.08	4.3	4.20	530	39	2.70	4.2	5.30	588	35	2.43	4.0	5.90	671	31	2.13	3.9	6.30	761	27	1.88	3.7	6.70	856	24	1.67	3.6	7.00	1007	20	1.42	3.4	7.30																																																																																																																																																																																																																																																																																																																																																																				
185	108	7.75	2.8	1.40	205	97	6.96	2.7	1.55	238	84	6.00	2.6	1.75	254	79	5.64	2.6	1.85	295	68	4.85	2.5	2.10	329	61	4.34	2.4	2.30	386	52	3.70	2.3	2.50	302	68	4.73	4.9	1.75	354	58	4.04	4.7	2.40	386	53	3.70	4.6	2.80	440	47	3.25	4.4	3.80	464	44	3.08	4.3	4.20	530	39	2.70	4.2	5.30	588	35	2.43	4.0	5.90	671	31	2.13	3.9	6.30	761	27	1.88	3.7	6.70	856	24	1.67	3.6	7.00	1007	20	1.42	3.4	7.30																																																																																																																																																																																																																																																																																																																																																																									
205	97	6.96	2.7	1.55	238	84	6.00	2.6	1.75	254	79	5.64	2.6	1.85	295	68	4.85	2.5	2.10	329	61	4.34	2.4	2.30	386	52	3.70	2.3	2.50	302	68	4.73	4.9	1.75	354	58	4.04	4.7	2.40	386	53	3.70	4.6	2.80	440	47	3.25	4.4	3.80	464	44	3.08	4.3	4.20	530	39	2.70	4.2	5.30	588	35	2.43	4.0	5.90	671	31	2.13	3.9	6.30	761	27	1.88	3.7	6.70	856	24	1.67	3.6	7.00	1007	20	1.42	3.4	7.30																																																																																																																																																																																																																																																																																																																																																																														
238	84	6.00	2.6	1.75	254	79	5.64	2.6	1.85	295	68	4.85	2.5	2.10	329	61	4.34	2.4	2.30	386	52	3.70	2.3	2.50	302	68	4.73	4.9	1.75	354	58	4.04	4.7	2.40	386	53	3.70	4.6	2.80	440	47	3.25	4.4	3.80	464	44	3.08	4.3	4.20	530	39	2.70	4.2	5.30	588	35	2.43	4.0	5.90	671	31	2.13	3.9	6.30	761	27	1.88	3.7	6.70	856	24	1.67	3.6	7.00	1007	20	1.42	3.4	7.30																																																																																																																																																																																																																																																																																																																																																																																			
254	79	5.64	2.6	1.85	295	68	4.85	2.5	2.10	329	61	4.34	2.4	2.30	386	52	3.70	2.3	2.50	302	68	4.73	4.9	1.75	354	58	4.04	4.7	2.40	386	53	3.70	4.6	2.80	440	47	3.25	4.4	3.80	464	44	3.08	4.3	4.20	530	39	2.70	4.2	5.30	588	35	2.43	4.0	5.90	671	31	2.13	3.9	6.30	761	27	1.88	3.7	6.70	856	24	1.67	3.6	7.00	1007	20	1.42	3.4	7.30																																																																																																																																																																																																																																																																																																																																																																																								
295	68	4.85	2.5	2.10	329	61	4.34	2.4	2.30	386	52	3.70	2.3	2.50	302	68	4.73	4.9	1.75	354	58	4.04	4.7	2.40	386	53	3.70	4.6	2.80	440	47	3.25	4.4	3.80	464	44	3.08	4.3	4.20	530	39	2.70	4.2	5.30	588	35	2.43	4.0	5.90	671	31	2.13	3.9	6.30	761	27	1.88	3.7	6.70	856	24	1.67	3.6	7.00	1007	20	1.42	3.4	7.30																																																																																																																																																																																																																																																																																																																																																																																													
329	61	4.34	2.4	2.30	386	52	3.70	2.3	2.50	302	68	4.73	4.9	1.75	354	58	4.04	4.7	2.40	386	53	3.70	4.6	2.80	440	47	3.25	4.4	3.80	464	44	3.08	4.3	4.20	530	39	2.70	4.2	5.30	588	35	2.43	4.0	5.90	671	31	2.13	3.9	6.30	761	27	1.88	3.7	6.70	856	24	1.67	3.6	7.00	1007	20	1.42	3.4	7.30																																																																																																																																																																																																																																																																																																																																																																																																		
386	52	3.70	2.3	2.50	302	68	4.73	4.9	1.75	354	58	4.04	4.7	2.40	386	53	3.70	4.6	2.80	440	47	3.25	4.4	3.80	464	44	3.08	4.3	4.20	530	39	2.70	4.2	5.30	588	35	2.43	4.0	5.90	671	31	2.13	3.9	6.30	761	27	1.88	3.7	6.70	856	24	1.67	3.6	7.00	1007	20	1.42	3.4	7.30																																																																																																																																																																																																																																																																																																																																																																																																							
302	68	4.73	4.9	1.75	354	58	4.04	4.7	2.40	386	53	3.70	4.6	2.80	440	47	3.25	4.4	3.80	464	44	3.08	4.3	4.20	530	39	2.70	4.2	5.30	588	35	2.43	4.0	5.90	671	31	2.13	3.9	6.30	761	27	1.88	3.7	6.70	856	24	1.67	3.6	7.00	1007	20	1.42	3.4	7.30																																																																																																																																																																																																																																																																																																																																																																																																												
354	58	4.04	4.7	2.40	386	53	3.70	4.6	2.80	440	47	3.25	4.4	3.80	464	44	3.08	4.3	4.20	530	39	2.70	4.2	5.30	588	35	2.43	4.0	5.90	671	31	2.13	3.9	6.30	761	27	1.88	3.7	6.70	856	24	1.67	3.6	7.00	1007	20	1.42	3.4	7.30																																																																																																																																																																																																																																																																																																																																																																																																																	
386	53	3.70	4.6	2.80	440	47	3.25	4.4	3.80	464	44	3.08	4.3	4.20	530	39	2.70	4.2	5.30	588	35	2.43	4.0	5.90	671	31	2.13	3.9	6.30	761	27	1.88	3.7	6.70	856	24	1.67	3.6	7.00	1007	20	1.42	3.4	7.30																																																																																																																																																																																																																																																																																																																																																																																																																						
440	47	3.25	4.4	3.80	464	44	3.08	4.3	4.20	530	39	2.70	4.2	5.30	588	35	2.43	4.0	5.90	671	31	2.13	3.9	6.30	761	27	1.88	3.7	6.70	856	24	1.67	3.6	7.00	1007	20	1.42	3.4	7.30																																																																																																																																																																																																																																																																																																																																																																																																																											
464	44	3.08	4.3	4.20	530	39	2.70	4.2	5.30	588	35	2.43	4.0	5.90	671	31	2.13	3.9	6.30	761	27	1.88	3.7	6.70	856	24	1.67	3.6	7.00	1007	20	1.42	3.4	7.30																																																																																																																																																																																																																																																																																																																																																																																																																																
530	39	2.70	4.2	5.30	588	35	2.43	4.0	5.90	671	31	2.13	3.9	6.30	761	27	1.88	3.7	6.70	856	24	1.67	3.6	7.00	1007	20	1.42	3.4	7.30																																																																																																																																																																																																																																																																																																																																																																																																																																					
588	35	2.43	4.0	5.90	671	31	2.13	3.9	6.30	761	27	1.88	3.7	6.70	856	24	1.67	3.6	7.00	1007	20	1.42	3.4	7.30																																																																																																																																																																																																																																																																																																																																																																																																																																										
671	31	2.13	3.9	6.30	761	27	1.88	3.7	6.70	856	24	1.67	3.6	7.00	1007	20	1.42	3.4	7.30																																																																																																																																																																																																																																																																																																																																																																																																																																															
761	27	1.88	3.7	6.70	856	24	1.67	3.6	7.00	1007	20	1.42	3.4	7.30																																																																																																																																																																																																																																																																																																																																																																																																																																																				
856	24	1.67	3.6	7.00	1007	20	1.42	3.4	7.30																																																																																																																																																																																																																																																																																																																																																																																																																																																									
1007	20	1.42	3.4	7.30																																																																																																																																																																																																																																																																																																																																																																																																																																																														

选型参数表

(恒功率) 2.2kW-3kW

Selection Table

(Constant Power) 2.2kW-3kW

n_a [r/min]	M_a [Nm]	i	F_{Ra} [kN]	f_B	机型号 Type size	极数 Pole	n_a [r/min]	M_a [Nm]	i	F_{Ra} [kN]	f_B	机型号 Type size	极数 Pole
2.2kW							3kW						
379	54	3.77	3.1	1.55	GRX69 GRXF69	4P	2.8	9348	517	35	0.85	GR139R79	4P
447	46	3.20	3.0	2.10			3.2	8191	453	49	0.95	GRF139R79	
495	41	2.89	2.9	2.50			5.7	4575	253	25	0.95	GR109R79	4P
563	36	2.54	2.8	3.10			6.7	3869	214	29	1.10	GRF109R79	
596	34	2.40	2.7	3.40			7.6	3381	187	32	1.25	GR109R79 GRF109R79	4P
701	29	2.04	2.6	4.40			5.6	4629	256	19	0.90	GR109R79 GRF109R79	
769	27	1.86	2.5	4.60			3.2	8533	222.60	48	0.90	GR139 GRF139	8P
888	23	1.61	2.4	4.80			3.8	7224	188.45	52	1.05		
1021	20	1.40	2.3	5.00			4.1	6686	174.40	53	1.15		
455	45	3.14	2.3	1.40			4.5	5992	156.31	54	1.30		
542	38	2.64	2.2	1.75	5.0	5410	141.12	55	1.40				
603	34	2.37	2.2	1.95	5.5	4914	128.18	55	1.55				
701	29	2.04	2.1	2.30	6.2	4359	113.72	56	1.75				
745	28	1.92	2.0	2.40	6.9	3956	103.20	56	1.95				
867	24	1.65	2.0	2.80	8.0	3400	88.70	57	2.30				
966	21	1.48	1.9	3.10	4.3	6311	222.60	53	1.20	GR139 GRF139	6P		
1135	18	1.26	1.8	3.20	5.1	5343	188.45	55	1.40				
3kW							5.5	4945	174.40			55	1.50
0.62	41949	2320	128	0.85	6.1	4432	156.31	56	1.70				
0.69	37501	2074	128	0.95	6.8	4001	141.12	56	1.85				
0.77	33758	1867	128	1.05	7.5	3634	128.18	57	2.00				
0.85	30576	1691	128	1.15	8.4	3224	113.72	57	2.30				
0.95	27104	1499	128	1.30	9.3	2926	103.20	57	2.50				
1.1	24501	1355	128	1.40	6.0	4499	158.68	21	0.90			GR109 GRF109	6P
1.3	20414	1129	128	1.60	6.8	4021	141.83	28	1.00				
1.3	19275	1066	128	1.80	7.5	3620	127.68	30	1.10	GR109 GRF109	4P		
1.5	17340	959	128	2.00	6.2	4377	229.95	25	0.90				
1.8	14447	799	128	2.25	7.0	3867	203.16	29	1.05				
1.9	13923	770	128	2.50	8.3	3280	172.34	31	1.20				
2.1	12585	696	128	2.75	9.0	3020	158.68	32	1.30				
0.62	41479	2294	128	0.80	10	2699	141.83	34	1.50				
0.66	39020	2158	128	0.90	11	2430	127.68	34	1.65				
0.77	33379	1846	128	1.00	12	2201	115.63	34	1.80				
1.0	25947	1435	128	1.30	14	1951	102.53	35	2.00				
1.2	21499	1189	128	1.50	15	1764	92.70	35	2.30				
1.2	20866	1154	128	1.60	18	1495	78.57	34	2.70				
1.5	17304	957	128	1.85	20	1387	72.88	33	2.90				
1.9	13887	768	128	2.30	9.5	2870	150.78	15	0.95	GR99 GRF99	4P		
2.0	12838	710	128	2.60	11	2412	126.75	22	1.15				
1.3	20306	1123	114	0.90	12	2217	116.48	23	1.25				
1.4	18063	999	114	1.00	14	1969	103.44	25	1.40				
1.7	15568	861	114	1.15	15	1760	92.48	25	1.60				
1.9	13742	760	114	1.30	17	1583	83.15	26	1.75				
2.2	11862	656	114	1.50	20	1374	72.17	26	2.00				
2.8	9095	503	114	1.95	22	1241	65.21	26	2.20				
2.7	9637	533	65	1.35	24	1140	59.92	25	2.50				
3.1	8354	462	66	1.55	27	1013	53.21	24	2.80				
3.4	7703	426	67	1.65	30	906	47.58	24	3.10				
3.9	6654	368	68	1.95	33	814	42.78	23	3.40				
4.4	5895	326	69	2.25	39	707	37.13	22	4.00				
5.1	5063	280	69	2.55	43	633	33.25	21	4.20				
1.6	16075	889	25	0.80	15	1785	93.78	3.4	0.80	GR89 GRF89	4P		
1.8	14176	784	52	0.95	17	1566	82.27	15	0.90				
2.1	12567	695	60	1.05	20	1387	72.88	17	1.05				
2.3	11192	619	62	1.15	22	1217	63.96	17	1.20				
2.6	10090	558	64	1.30	24	1154	60.61	18	1.25				
2.9	8860	490	46	0.90	27	1010	53.05	19	1.45				
3.3	7739	428	51	1.00	30	910	47.79	19	1.60				
3.8	6889	381	52	1.15	34	798	41.92	18	1.80				
4.4	5840	323	54	1.35	39	704	37.00	18	2.10				
4.9	5262	291	55	1.50	44	624	32.80	17	2.30				
5.6	4611	255	56	1.70	51	533	28.00	17	2.60				
6.4	4032	223	56	2.00									

选型参数表

(恒功率) 3kW

Selection Table

(Constant Power) 3kW

n_a [r/min]	M_a [Nm]	i	F_{Ra} [kN]	f_B	机型号 Type size	极数 Pole	n_a [r/min]	M_a [Nm]	i	F_{Ra} [kN]	f_B	机型号 Type size	极数 Pole																																																																																																																																																																																																																																																																																																																																																																																																																																																																																																																																																																									
3kW							3kW																																																																																																																																																																																																																																																																																																																																																																																																																																																																																																																																																																															
41	658	34.55	17	2.10	GR89 GRF89	4P	158	173	9.07	2.8	1.20	GR49 GRF49	4P																																																																																																																																																																																																																																																																																																																																																																																																																																																																																																																																																																									
45	600	31.53	17	2.40			51	532	27.96	17	2.70			61	447	23.51	16	3.20	66	411	21.60	15	3.40	75	365	19.18	15	3.70	83	326	17.15	14	4.00	93	293	15.42	14	4.30	31	872	45.81	8.2	0.85	GR79 GRF79	4P	243	112	11.79	2.5	2.00	GR49 GRF49	2P	33	823	43.26	8.8	0.95	39	701	36.83	10	1.10	43	637	33.47	10	1.20	49	552	29.00	11	1.40	57	480	25.23	11	1.50	61	445	23.37	11	1.70	GR79 GRF79	4P	509	53	5.64	2.1	2.70	GR39 GRF39	4P	67	408	21.43	10	1.85	76	358	18.80	10	2.00	80	339	17.82	10	2.10	92	297	15.60	9.5	2.30	102	267	14.05	9.2	2.50	116	235	12.33	8.9	2.70	131	207	10.88	8.6	3.00	148	183	9.64	8.3	3.20	166	163	8.59	8.1	3.60	185	147	7.74	7.8	3.80	211	129	6.79	7.5	4.20	GR69 GRF69	4P	141	186	10.11	0.7	0.80	GR39 GRF39	4P	61	446	23.44	8.3	1.15	72	379	19.89	8.0	1.45	80	342	17.95	7.8	1.60	91	301	15.79	7.6	1.75	96	284	14.91	7.5	1.80	113	242	12.70	7.2	2.00	124	220	11.54	7.0	2.10	143	190	10.00	6.7	2.30	53	513	26.97	4.1	0.80	GR59 GRF59	4P	284	93	10.11	2.2	1.65	GR39 GRF39	2P	65	417	21.93	4.2	1.00	77	354	18.60	4.1	1.20	85	320	16.79	4.0	1.30	97	281	14.77	4.0	1.45	GR59 GRF59	4P	303	87	9.47	2.3	1.70	GR29 GRF29	4P	103	266	13.95	3.9	1.50	120	226	11.88	3.8	1.65	133	205	10.79	3.7	1.75	153	178	9.35	3.6	1.95	158	172	9.06	3.6	2.00	179	152	7.97	3.5	2.20	190	143	7.53	3.5	2.30	223	122	6.41	3.3	2.60	246	111	5.82	3.3	2.70	283	96	5.05	3.1	3.00	GR59 GRF59	2P	335	79	4.27	0.9	1.00	GR29 GRF29	2P	326	84	4.39	3.0	3.10	131	208	21.93	3.8	2.00	154	176	18.60	3.6	2.40	171	159	16.79	3.5	2.60	194	140	14.77	3.4	2.90	206	132	13.95	3.4	3.00	242	113	11.88	3.3	3.30	266	102	10.79	3.2	3.50	GR59 GRF59	4P	358	74	4.00	1.0	1.05	GRX89 GRXF89	4P	88	309	16.22	1.9	0.85	98	277	14.56	2.4	0.90	114	239	12.54	2.9	0.95	121	224	11.79	2.9	1.00	141	193	10.15	2.8	1.10	GR49 GRF49	4P	424	62	3.37	1.2	1.15	GRX79 GRXF79	4P	222	126	6.45	6.8	1.45	257	109	5.56	6.5	2.00	282	99	5.07	6.3	2.40	318	88	4.50	6.1	3.20	378	74	3.78	5.8	3.90	302	92	4.73	4.8	1.25	354	79	4.04	4.6	1.75	386	72	3.70	4.5	2.00	440	63	3.25	4.3	2.70	464	60	3.08	4.3	3.10	GRX69 GRXF69	4P	379	74	3.77	3.0	1.15	447	63	3.20	2.9	1.55	495	56	2.89	2.8	1.80	563	50	2.54	2.7	2.30																																																																																																																		
51	532	27.96	17	2.70			61	447	23.51	16	3.20			66	411	21.60	15	3.40	75	365	19.18	15	3.70	83	326	17.15	14	4.00	93	293	15.42	14	4.30	31	872	45.81	8.2	0.85	GR79 GRF79	4P	243	112	11.79			2.5	2.00	GR49 GRF49	2P	33			823	43.26	8.8	0.95	39	701	36.83	10	1.10	43	637	33.47	10	1.20	49	552	29.00	11	1.40	57	480	25.23	11	1.50	61	445	23.37	11	1.70	GR79 GRF79			4P	509	53	5.64	2.1			2.70	GR39 GRF39	4P	67	408	21.43	10	1.85	76	358	18.80	10	2.00	80	339	17.82	10	2.10	92	297	15.60	9.5	2.30	102	267	14.05	9.2	2.50	116	235	12.33	8.9	2.70	131	207	10.88	8.6	3.00	148	183	9.64	8.3	3.20	166	163	8.59	8.1	3.60	185	147	7.74	7.8	3.80	211	129			6.79	7.5	4.20	GR69 GRF69	4P			141	186	10.11	0.7	0.80	GR39 GRF39	4P	61	446	23.44	8.3	1.15	72	379	19.89	8.0	1.45	80	342	17.95	7.8	1.60	91	301	15.79	7.6	1.75	96	284	14.91	7.5	1.80	113	242	12.70	7.2	2.00	124	220	11.54	7.0	2.10	143	190	10.00			6.7	2.30	53	513	26.97			4.1	0.80	GR59 GRF59	4P	284	93	10.11	2.2	1.65	GR39 GRF39	2P	65	417	21.93	4.2	1.00	77	354	18.60	4.1			1.20	85	320	16.79	4.0			1.30	97	281	14.77	4.0	1.45	GR59 GRF59	4P	303	87	9.47	2.3	1.70	GR29 GRF29	4P	103	266	13.95	3.9	1.50	120	226	11.88	3.8	1.65	133	205	10.79	3.7	1.75	153	178	9.35	3.6	1.95	158	172	9.06	3.6	2.00	179	152	7.97	3.5	2.20	190	143	7.53	3.5	2.30			223	122	6.41	3.3	2.60			246	111	5.82	3.3	2.70	283	96	5.05	3.1	3.00	GR59 GRF59	2P	335	79	4.27	0.9	1.00	GR29 GRF29	2P	326	84	4.39	3.0	3.10	131	208	21.93	3.8	2.00	154	176	18.60	3.6	2.40	171	159	16.79	3.5	2.60	194			140	14.77	3.4	2.90	206			132	13.95	3.4	3.00	242	113	11.88	3.3	3.30	266	102	10.79	3.2	3.50	GR59 GRF59	4P	358	74	4.00	1.0	1.05	GRX89 GRXF89	4P	88	309			16.22	1.9	0.85	98	277			14.56	2.4	0.90	114	239	12.54	2.9	0.95	121	224	11.79	2.9	1.00	141	193	10.15	2.8	1.10	GR49 GRF49	4P	424	62	3.37	1.2	1.15	GRX79 GRXF79	4P	222	126	6.45	6.8	1.45	257	109	5.56	6.5	2.00	282	99	5.07	6.3	2.40	318	88	4.50	6.1	3.20	378	74	3.78			5.8	3.90	302	92	4.73	4.8	1.25	354	79	4.04	4.6	1.75	386	72	3.70	4.5	2.00	440	63	3.25	4.3	2.70	464	60	3.08	4.3	3.10	GRX69 GRXF69	4P	379	74	3.77	3.0	1.15	447	63	3.20	2.9	1.55	495	56	2.89	2.8	1.80	563	50	2.54	2.7	2.30																																																																																					
61	447	23.51	16	3.20			66	411	21.60	15	3.40			75	365	19.18	15	3.70	83	326	17.15	14	4.00	93	293	15.42	14	4.30	31	872	45.81	8.2	0.85	GR79 GRF79	4P	243	112	11.79			2.5	2.00	GR49 GRF49			2P	33			823			43.26	8.8	0.95	39	701	36.83	10	1.10	43	637	33.47	10	1.20	49	552	29.00	11	1.40	57	480	25.23	11	1.50	61	445	23.37	11	1.70	GR79 GRF79					4P	509	53	5.64			2.1			2.70	GR39 GRF39	4P	67	408	21.43	10	1.85	76	358	18.80	10	2.00	80	339	17.82	10	2.10	92	297	15.60	9.5	2.30	102	267	14.05	9.2	2.50	116	235	12.33	8.9	2.70	131	207	10.88	8.6	3.00	148	183	9.64	8.3	3.20	166	163	8.59	8.1	3.60	185	147	7.74	7.8			3.80	211	129					6.79	7.5	4.20	GR69 GRF69	4P			141	186	10.11	0.7	0.80	GR39 GRF39	4P	61	446	23.44	8.3	1.15	72	379	19.89	8.0	1.45	80	342	17.95	7.8	1.60	91	301	15.79	7.6	1.75	96	284	14.91	7.5	1.80	113	242	12.70	7.2	2.00	124			220	11.54	7.0	2.10	143			190	10.00			6.7	2.30	53	513	26.97			4.1	0.80	GR59 GRF59	4P	284	93	10.11	2.2	1.65			GR39 GRF39	2P	65	417	21.93			4.2	1.00	77	354	18.60	4.1			1.20	85	320	16.79	4.0			1.30	97	281	14.77	4.0	1.45	GR59 GRF59	4P	303	87	9.47	2.3	1.70	GR29 GRF29	4P	103	266	13.95	3.9	1.50	120	226	11.88	3.8	1.65	133	205	10.79	3.7	1.75	153	178	9.35	3.6	1.95			158	172	9.06	3.6	2.00			179	152	7.97	3.5	2.20	190	143	7.53	3.5	2.30			223	122	6.41	3.3	2.60			246	111	5.82	3.3	2.70	283	96	5.05	3.1	3.00	GR59 GRF59	2P	335	79	4.27	0.9	1.00	GR29 GRF29	2P	326	84			4.39	3.0	3.10	131	208			21.93	3.8	2.00	154	176	18.60	3.6	2.40	171	159	16.79	3.5	2.60	194			140	14.77	3.4	2.90	206			132	13.95			3.4	3.00	242	113	11.88			3.3	3.30	266	102	10.79	3.2	3.50	GR59 GRF59	4P	358	74	4.00	1.0	1.05	GRX89 GRXF89	4P	88	309			16.22	1.9	0.85	98	277			14.56	2.4	0.90	114	239	12.54	2.9	0.95	121	224	11.79	2.9	1.00	141	193	10.15	2.8	1.10	GR49 GRF49	4P	424	62	3.37			1.2	1.15	GRX79 GRXF79	4P	222	126	6.45	6.8	1.45	257	109	5.56	6.5	2.00	282	99	5.07	6.3	2.40	318	88	4.50	6.1	3.20	378	74	3.78			5.8	3.90	302	92	4.73	4.8	1.25	354	79	4.04	4.6	1.75	386	72	3.70	4.5	2.00	440	63	3.25	4.3	2.70	464	60	3.08	4.3	3.10	GRX69 GRXF69	4P	379	74	3.77	3.0	1.15	447	63	3.20	2.9	1.55	495	56	2.89	2.8	1.80	563	50	2.54	2.7	2.30																																																								
66	411	21.60	15	3.40			75	365	19.18	15	3.70			83	326	17.15	14	4.00	93	293	15.42	14	4.30	31	872	45.81	8.2	0.85	GR79 GRF79	4P	243	112	11.79			2.5	2.00	GR49 GRF49			2P	33					823			43.26			8.8	0.95	39	701	36.83	10	1.10	43	637	33.47	10	1.20	49	552	29.00	11	1.40	57	480	25.23	11	1.50	61	445	23.37	11	1.70	GR79 GRF79							4P	509	53			5.64			2.1			2.70	GR39 GRF39	4P	67	408	21.43	10	1.85	76	358	18.80	10	2.00	80	339	17.82	10	2.10	92	297	15.60	9.5	2.30	102	267	14.05	9.2	2.50	116	235	12.33	8.9	2.70	131	207	10.88	8.6	3.00	148	183	9.64	8.3	3.20	166	163	8.59	8.1	3.60	185			147	7.74	7.8					3.80	211	129					6.79	7.5	4.20	GR69 GRF69	4P			141	186	10.11	0.7	0.80	GR39 GRF39	4P	61	446	23.44	8.3	1.15	72	379	19.89	8.0	1.45	80	342	17.95	7.8	1.60	91	301	15.79	7.6	1.75	96	284	14.91	7.5			1.80	113	242	12.70	7.2			2.00	124			220	11.54	7.0	2.10	143			190	10.00			6.7	2.30	53	513	26.97					4.1	0.80	GR59 GRF59			4P	284	93	10.11	2.2	1.65			GR39 GRF39	2P	65	417	21.93			4.2	1.00	77	354	18.60	4.1			1.20	85	320	16.79	4.0			1.30	97	281	14.77	4.0	1.45	GR59 GRF59	4P	303	87	9.47	2.3	1.70	GR29 GRF29	4P	103	266	13.95	3.9	1.50			120	226	11.88	3.8	1.65			133	205	10.79	3.7	1.75	153	178	9.35	3.6	1.95			158	172	9.06	3.6	2.00			179	152	7.97	3.5	2.20	190	143	7.53	3.5	2.30			223	122	6.41	3.3	2.60			246	111			5.82	3.3	2.70	283	96			5.05	3.1	3.00	GR59 GRF59	2P	335	79	4.27	0.9	1.00	GR29 GRF29	2P	326	84			4.39	3.0	3.10	131	208			21.93	3.8			2.00	154	176	18.60	3.6			2.40	171	159	16.79	3.5	2.60	194			140	14.77	3.4	2.90	206			132	13.95			3.4	3.00	242	113	11.88			3.3	3.30	266	102	10.79	3.2	3.50	GR59 GRF59	4P	358	74	4.00	1.0	1.05	GRX89 GRXF89	4P	88	309			16.22	1.9	0.85			98	277			14.56	2.4	0.90	114	239	12.54	2.9	0.95	121	224	11.79	2.9	1.00	141	193	10.15	2.8	1.10	GR49 GRF49	4P	424	62	3.37			1.2	1.15	GRX79 GRXF79	4P	222	126	6.45	6.8	1.45	257	109	5.56	6.5	2.00	282	99	5.07	6.3	2.40	318	88	4.50	6.1	3.20	378	74	3.78			5.8	3.90	302	92	4.73	4.8	1.25	354	79	4.04	4.6	1.75	386	72	3.70	4.5	2.00	440	63	3.25	4.3	2.70	464	60	3.08	4.3	3.10	GRX69 GRXF69	4P	379	74	3.77	3.0	1.15	447	63	3.20	2.9	1.55	495	56	2.89	2.8	1.80	563	50	2.54	2.7	2.30																											
75	365	19.18	15	3.70			83	326	17.15	14	4.00			93	293	15.42	14	4.30	31	872	45.81	8.2	0.85	GR79 GRF79	4P	243	112	11.79			2.5	2.00	GR49 GRF49			2P	33					823					43.26			8.8			0.95	39	701	36.83	10	1.10	43	637	33.47	10	1.20	49	552	29.00	11	1.40	57	480	25.23	11	1.50	61	445	23.37	11	1.70	GR79 GRF79									4P	509			53			5.64			2.1			2.70	GR39 GRF39	4P	67	408	21.43	10	1.85	76	358	18.80	10	2.00	80	339	17.82	10	2.10	92	297	15.60	9.5	2.30	102	267	14.05	9.2	2.50	116	235	12.33	8.9	2.70	131	207	10.88	8.6	3.00	148	183	9.64	8.3	3.20	166	163	8.59			8.1	3.60	185					147	7.74	7.8					3.80	211	129					6.79	7.5	4.20	GR69 GRF69	4P			141	186	10.11	0.7	0.80	GR39 GRF39	4P	61	446	23.44	8.3	1.15	72	379	19.89	8.0	1.45	80	342	17.95	7.8	1.60	91	301	15.79	7.6	1.75	96	284	14.91	7.5	1.80	113	242	12.70			7.2	2.00	124	220	11.54			7.0	2.10			143	190	10.00	6.7	2.30					53	513					26.97	4.1	0.80	GR59 GRF59	4P					284	93	10.11			2.2	1.65	GR39 GRF39	2P	65	417			21.93	4.2	1.00	77	354			18.60	4.1	1.20	85	320	16.79			4.0	1.30	97	281	14.77			4.0	1.45	GR59 GRF59	4P	303			87	9.47	2.3	1.70	GR29 GRF29			4P	103	266	13.95	3.9	1.50	120	226	11.88	3.8			1.65	133	205	10.79	3.7			1.75	153	178	9.35	3.6	1.95	158	172	9.06	3.6			2.00	179	152	7.97	3.5			2.20	190	143	7.53	3.5	2.30	223	122	6.41	3.3	2.60	246	111	5.82			3.3	2.70	283	96	5.05			3.1	3.00			GR59 GRF59	2P	335	79	4.27			0.9	1.00			GR29 GRF29	2P	326	84	4.39			3.0	3.10	131	208	21.93	3.8	2.00			154	176	18.60	3.6	2.40			171	159			16.79	3.5	2.60	194	140			14.77	3.4	2.90	206	132	13.95	3.4			3.00	242	113	11.88	3.3			3.30	266			102	10.79	3.2	3.50	GR59 GRF59	4P	358			74	4.00	1.0	1.05	GRX89 GRXF89	4P	88	309	16.22	1.9	0.85	98	277	14.56	2.4	0.90	114	239			12.54	2.9	0.95			121	224			11.79	2.9	1.00	141	193	10.15	2.8	1.10	GR49 GRF49	4P	424	62	3.37	1.2	1.15	GRX79 GRXF79	4P	222	126	6.45	6.8	1.45	257			109	5.56	6.5	2.00	282	99	5.07	6.3	2.40	318	88	4.50	6.1	3.20	378	74	3.78	5.8	3.90	302	92	4.73	4.8	1.25	354	79	4.04			4.6	1.75	386	72	3.70	4.5	2.00	440	63	3.25	4.3	2.70	464	60	3.08	4.3	3.10	GRX69 GRXF69	4P	379	74	3.77	3.0	1.15	447	63	3.20	2.9	1.55	495	56	2.89	2.8	1.80	563	50	2.54	2.7	2.30								
83	326	17.15	14	4.00			93	293	15.42	14	4.30			31	872	45.81	8.2	0.85	GR79 GRF79	4P	243	112	11.79			2.5	2.00	GR49 GRF49			2P	33					823					43.26					8.8			0.95			39	701	36.83	10	1.10	43	637	33.47	10	1.20	49	552	29.00	11	1.40	57	480	25.23	11	1.50	61	445	23.37	11	1.70	GR79 GRF79											4P			509			53			5.64			2.1			2.70	GR39 GRF39	4P	67	408	21.43	10	1.85	76	358	18.80	10	2.00	80	339	17.82	10	2.10	92	297	15.60	9.5	2.30	102	267	14.05	9.2	2.50	116	235	12.33	8.9	2.70	131	207	10.88	8.6	3.00	148	183	9.64	8.3	3.20			166	163	8.59					8.1	3.60	185					147	7.74	7.8					3.80	211	129					6.79	7.5	4.20	GR69 GRF69	4P			141	186	10.11	0.7	0.80	GR39 GRF39	4P	61	446	23.44	8.3	1.15	72	379	19.89	8.0	1.45	80	342	17.95	7.8	1.60	91	301	15.79	7.6	1.75	96	284	14.91	7.5	1.80	113	242	12.70	7.2	2.00	124	220			11.54	7.0	2.10	143	190					10.00	6.7					2.30	53	513							26.97	4.1	0.80			GR59 GRF59	4P			284	93			10.11	2.2	1.65	GR39 GRF39	2P			65	417	21.93	4.2	1.00	77			354	18.60	4.1	1.20	85			320	16.79			4.0			1.30	97	281	14.77					4.0	1.45	GR59 GRF59	4P	303	87	9.47	2.3	1.70			GR29 GRF29	4P	103	266	13.95			3.9	1.50	120	226	11.88	3.8	1.65	133	205	10.79			3.7	1.75	153	178	9.35			3.6	1.95	158	172	9.06	3.6	2.00	179	152	7.97	3.5	2.20	190	143			7.53	3.5	2.30	223	122			6.41	3.3	2.60	246			111	5.82	3.3	2.70	283	96	5.05					3.1	3.00	GR59 GRF59			2P	335	79	4.27	0.9	1.00	GR29 GRF29			2P	326	84	4.39	3.0			3.10	131			208	21.93	3.8	2.00	154			176	18.60	3.6	2.40	171	159	16.79			3.5	2.60	194	140	14.77			3.4	2.90			206	132	13.95	3.4			3.00			242	113	11.88	3.3			3.30	266	102	10.79	3.2	3.50	GR59 GRF59	4P	358	74	4.00	1.0			1.05	GRX89 GRXF89	4P	88	309	16.22	1.9			0.85	98	277	14.56	2.4	0.90	114	239			12.54	2.9	0.95	121	224			11.79	2.9	1.00	141	193	10.15			2.8	1.10	GR49 GRF49	4P	424	62	3.37	1.2	1.15	GRX79 GRXF79	4P	222	126	6.45	6.8	1.45	257	109	5.56	6.5	2.00	282	99	5.07	6.3	2.40	318			88	4.50	6.1	3.20	378	74	3.78	5.8	3.90	302	92	4.73	4.8	1.25	354	79	4.04			4.6	1.75	386	72	3.70	4.5	2.00	440	63	3.25	4.3	2.70	464	60	3.08	4.3	3.10	GRX69 GRXF69	4P	379	74	3.77	3.0	1.15	447	63	3.20	2.9
93	293	15.42	14	4.30			31	872	45.81	8.2	0.85			GR79 GRF79	4P	243	112	11.79			2.5	2.00	GR49 GRF49			2P	33					823					43.26					8.8		0.95	39		701			36.83	10	1.10	43	637	33.47	10	1.20	49	552	29.00	11	1.40	57	480	25.23	11	1.50	61	445	23.37	11	1.70	GR79 GRF79	4P	509	53	5.64															2.1			2.70			GR39 GRF39			4P			67			408	21.43	10	1.85	76	358	18.80	10	2.00	80	339	17.82	10	2.10	92	297	15.60	9.5	2.30	102	267	14.05	9.2	2.50	116	235	12.33	8.9	2.70	131	207	10.88	8.6	3.00	148	183	9.64	8.3	3.20	166			163	8.59	8.1					3.60	185	147					7.74	7.8	3.80					211	129	6.79					7.5	4.20	GR69 GRF69					4P	141	186	10.11	0.7			0.80	GR39 GRF39	4P	61	446	23.44	8.3	1.15	72	379	19.89	8.0	1.45	80	342	17.95	7.8	1.60	91	301	15.79	7.6	1.75	96	284	14.91	7.5	1.80	113	242	12.70	7.2	2.00	124	220	11.54	7.0	2.10	143			190	10.00	6.7	2.30					53	513	26.97							4.1	0.80	GR59 GRF59							4P	284			93	10.11	2.2					1.65	GR39 GRF39	2P	65	417	21.93			4.2	1.00	77	354	18.60			4.1	1.20			85	320	16.79	4.0	1.30	97	281		14.77	4.0		1.45	GR59 GRF59			4P	303	87	9.47	2.3					1.70	GR29 GRF29	4P			103	266	13.95	3.9	1.50	120	226	11.88	3.8	1.65			133	205	10.79	3.7	1.75			153	178	9.35	3.6	1.95	158	172	9.06	3.6	2.00	179	152	7.97	3.5			2.20	190	143	7.53	3.5			2.30	223	122	6.41			3.3	2.60	246	111	5.82	3.3	2.70					283	96					5.05	3.1	3.00	GR59 GRF59	2P		335	79		4.27	0.9	1.00	GR29 GRF29	2P	326	84	4.39			3.0	3.10	131	208	21.93			3.8	2.00	154	176	18.60	3.6	2.40			171	159	16.79	3.5	2.60			194	140			14.77	3.4	2.90	206			132			13.95	3.4	3.00	242			113	11.88	3.3	3.30	266	102			10.79	3.2	3.50	GR59 GRF59			4P			358	74	4.00	1.0			1.05	GRX89 GRXF89	4P	88	309	16.22	1.9	0.85			98	277	14.56	2.4	0.90			114	239	12.54	2.9	0.95	121	224	11.79	2.9	1.00			141	193	10.15	2.8	1.10			GR49 GRF49	4P	424	62	3.37	1.2	1.15	GRX79 GRXF79	4P	222	126	6.45	6.8	1.45	257	109			5.56	6.5	2.00	282	99	5.07	6.3	2.40	318	88	4.50	6.1	3.20	378	74	3.78	5.8			3.90	302	92	4.73	4.8	1.25	354	79	4.04	4.6	1.75	386	72	3.70	4.5	2.00	440			63	3.25	4.3	2.70	464	60	3.08	4.3	3.10
31	872	45.81	8.2	0.85	GR79 GRF79	4P	243	112	11.79	2.5	2.00	GR49 GRF49	2P																																																																																																																																																																																																																																																																																																																																																																																																																																																																																																																																																																									
33	823	43.26	8.8	0.95			39	701	36.83	10	1.10					43	637	33.47			10	1.20					49					552		29.00	11		1.40		57	480		25.23	11	1.50	61	445	23.37	11	1.70	GR79 GRF79	4P	509	53	5.64	2.1	2.70	GR39 GRF39	4P	67	408	21.43	10	1.85	76	358	18.80	10	2.00	80	339	17.82	10			2.10	92	297															15.60			9.5									2.30			102	267	14.05	9.2	2.50	116	235	12.33	8.9	2.70	131	207	10.88	8.6	3.00	148	183	9.64	8.3	3.20	166	163	8.59	8.1	3.60	185	147	7.74	7.8	3.80	211	129	6.79	7.5	4.20	GR69 GRF69	4P	141	186	10.11	0.7	0.80	GR39 GRF39	4P	61			446	23.44	8.3	1.15	72					379	19.89	8.0					1.45	80	342					17.95	7.8							1.60	91	301	15.79			7.6			1.75	96	284	14.91	7.5	1.80	113	242	12.70	7.2	2.00	124	220	11.54	7.0	2.10	143	190	10.00	6.7	2.30	53	513	26.97	4.1	0.80	GR59 GRF59	4P	284	93	10.11	2.2	1.65	GR39 GRF39	2P	65			417	21.93	4.2	1.00	77			354	18.60	4.1	1.20	85	320			16.79	4.0	1.30	97						281	14.77		4.0			1.45	GR59 GRF59	4P					303			87	9.47	2.3			1.70	GR29 GRF29	4P	103	266			13.95	3.9			1.50	120	226	11.88	3.8	1.65	133		205	10.79		3.7					1.75	153	178	9.35	3.6	1.95			158			172	9.06	3.6	2.00	179	152	7.97	3.5	2.20	190	143	7.53	3.5	2.30	223	122	6.41	3.3	2.60	246	111	5.82	3.3	2.70	283	96	5.05	3.1	3.00	GR59 GRF59	2P	335	79	4.27	0.9			1.00	GR29 GRF29	2P	326	84			4.39	3.0	3.10	131			208	21.93	3.8	2.00	154	176	18.60	3.6	2.40			171	159		16.79	3.5		2.60	194	140				14.77	3.4		2.90	206	132			13.95	3.4	3.00			242	113	11.88	3.3	3.30			266	102	10.79	3.2	3.50	GR59 GRF59	4P	358	74	4.00	1.0	1.05	GRX89 GRXF89	4P	88	309	16.22	1.9			0.85	98	277	14.56	2.4	0.90	114			239	12.54	2.9	0.95	121	224	11.79	2.9	1.00	141	193	10.15			2.8	1.10	GR49 GRF49							4P	424	62	3.37			1.2			1.15	GRX79 GRXF79	4P	222	126			6.45	6.8	1.45	257	109			5.56	6.5	2.00	282	99	5.07	6.3	2.40	318	88			4.50	6.1	3.20	378	74					3.78	5.8	3.90	302	92			4.73	4.8	1.25	354	79	4.04	4.6	1.75	386	72	3.70	4.5	2.00	440	63	3.25	4.3	2.70	464	60	3.08	4.3	3.10	GRX69 GRXF69	4P	379	74	3.77	3.0	1.15	447	63	3.20	2.9	1.55	495	56	2.89	2.8	1.80	563	50	2.54	2.7	2.30											
39	701	36.83	10	1.10			43	637	33.47	10	1.20					49	552	29.00			11	1.40					57		480	25.23		11		1.50	61		445	23.37	11	1.70	GR79 GRF79	4P	509	53	5.64	2.1	2.70	GR39 GRF39	4P			67	408	21.43	10	1.85			76	358	18.80	10	2.00	80	339	17.82	10	2.10	92	297	15.60	9.5			2.30	102	267															14.05			9.2									2.50			116	235	12.33	8.9	2.70	131	207	10.88	8.6	3.00	148	183	9.64	8.3	3.20	166	163	8.59	8.1	3.60	185	147	7.74	7.8	3.80	211	129	6.79	7.5	4.20	GR69 GRF69	4P	141	186	10.11			0.7	0.80	GR39 GRF39	4P	61			446	23.44	8.3	1.15	72	379	19.89	8.0			1.45	80	342	17.95	7.8					1.60	91	301					15.79	7.6							1.75	96	284	14.91			7.5			1.80	113	242	12.70	7.2	2.00	124	220	11.54	7.0	2.10	143	190	10.00	6.7	2.30	53	513	26.97	4.1	0.80	GR59 GRF59	4P	284	93	10.11			2.2	1.65	GR39 GRF39	2P	65			417			21.93	4.2	1.00	77	354			18.60	4.1	1.20	85	320	16.79			4.0	1.30	97	281				14.77	4.0	1.45	GR59 GRF59		4P			303			87	9.47			2.3			1.70	GR29 GRF29	4P			103			266	13.95			3.9	1.50			120	226	11.88	3.8	1.65	133	205		10.79	3.7		1.75					153	178	9.35	3.6	1.95	158			172			9.06	3.6	2.00	179	152	7.97	3.5	2.20	190	143	7.53	3.5	2.30	223	122	6.41	3.3	2.60	246	111	5.82	3.3	2.70	283	96	5.05	3.1	3.00	GR59 GRF59			2P	335	79	4.27	0.9	1.00	GR29 GRF29			2P	326	84	4.39	3.0	3.10	131	208			21.93	3.8	2.00	154	176	18.60	3.6	2.40	171			159	16.79		3.5	2.60		194	140	14.77				3.4	2.90		206	132	13.95			3.4	3.00	242	113	11.88	3.3	3.30	266	102	10.79	3.2	3.50	GR59 GRF59	4P	358	74	4.00			1.0	1.05	GRX89 GRXF89	4P	88			309	16.22	1.9	0.85			98	277	14.56	2.4	0.90	114	239			12.54	2.9	0.95	121	224	11.79	2.9	1.00	141	193	10.15	2.8	1.10	GR49 GRF49	4P	424						62	3.37		1.2	1.15	GRX79 GRXF79			4P			222			126	6.45			6.8	1.45	257	109	5.56			6.5	2.00	282	99	5.07	6.3	2.40	318	88	4.50			6.1	3.20	378	74	3.78					5.8	3.90	302	92	4.73			4.8	1.25	354	79	4.04	4.6	1.75	386	72	3.70	4.5	2.00	440	63	3.25	4.3	2.70	464	60	3.08	4.3	3.10	GRX69 GRXF69			4P	379	74	3.77	3.0	1.15	447	63	3.20	2.9	1.55	495	56	2.89	2.8	1.80	563	50	2.54	2.7	2.30										
43	637	33.47	10	1.20			49	552	29.00	11	1.40					57	480	25.23			11	1.50		61	445		23.37		11	1.70		GR79 GRF79	4P	509	53	5.64	2.1	2.70	GR39 GRF39	4P			67	408	21.43	10	1.85					76	358	18.80	10	2.00			80	339	17.82	10	2.10	92	297	15.60	9.5	2.30	102	267	14.05	9.2			2.50	116	235						12.33	8.9						2.70	131	207			10.88									8.6			3.00	148	183	9.64	8.3	3.20	166	163	8.59	8.1	3.60	185	147	7.74	7.8	3.80	211	129	6.79	7.5	4.20	GR69 GRF69	4P	141	186	10.11	0.7	0.80	GR39 GRF39	4P			61	446	23.44			8.3	1.15			72			379	19.89	8.0	1.45	80	342	17.95	7.8	1.60	91	301	15.79	7.6	1.75	96			284	14.91	7.5	1.80	113					242	12.70							7.2	2.00	124	220			11.54			7.0	2.10	143	190	10.00	6.7	2.30	53	513	26.97	4.1	0.80	GR59 GRF59	4P	284	93	10.11	2.2	1.65	GR39 GRF39	2P			65	417	21.93			4.2	1.00			77			354	18.60	4.1	1.20	85	320	16.79	4.0	1.30	97	281	14.77	4.0	1.45	GR59 GRF59	4P			303	87	9.47	2.3	1.70			GR29 GRF29	4P	103		266				13.95			3.9	1.50			120	226	11.88	3.8					1.65			133	205			10.79	3.7			1.75	153	178	9.35	3.6	1.95	158		172	9.06		3.6					2.00	179	152	7.97	3.5	2.20			190			143	7.53	3.5	2.30	223	122	6.41	3.3	2.60	246	111	5.82	3.3	2.70	283	96	5.05	3.1	3.00	GR59 GRF59	2P	335	79	4.27	0.9	1.00	GR29 GRF29	2P					326	84	4.39	3.0	3.10					131	208	21.93	3.8	2.00	154	176	18.60	3.6	2.40	171	159	16.79	3.5	2.60	194	140	14.77	3.4	2.90	206	132		13.95	3.4		3.00	242	113				11.88	3.3		3.30	266	102			10.79	3.2	3.50	GR59 GRF59	4P	358	74	4.00	1.0	1.05	GRX89 GRXF89	4P			88	309	16.22			1.9	0.85			98			277	14.56	2.4	0.90	114	239	12.54	2.9	0.95	121	224	11.79	2.9	1.00	141	193	10.15	2.8	1.10	GR49 GRF49	4P	424	62	3.37	1.2	1.15	GRX79 GRXF79	4P			222		126			6.45	6.8	1.45		257	109					5.56	6.5	2.00			282	99			5.07	6.3	2.40	318	88			4.50	6.1	3.20	378	74	3.78	5.8	3.90	302	92			4.73	4.8	1.25	354	79					4.04	4.6	1.75	386	72			3.70	4.5	2.00	440	63	3.25	4.3	2.70	464	60	3.08	4.3	3.10	GRX69 GRXF69	4P	379	74	3.77	3.0	1.15	447	63					3.20	2.9	1.55	495	56	2.89	2.8	1.80	563	50	2.54	2.7	2.30																	
49	552	29.00	11	1.40			57	480	25.23	11	1.50					61	445	23.37	11	1.70	GR79 GRF79	4P		509	53		5.64	2.1	2.70	GR39 GRF39	4P			67	408	21.43	10	1.85					76	358	18.80	10	2.00					80	339	17.82	10	2.10			92	297	15.60	9.5	2.30	102	267	14.05	9.2	2.50	116	235	12.33	8.9			2.70	131	207					10.88	8.6	3.00	148					183	9.64	8.3	3.20	166	163									8.59			8.1	3.60	185	147	7.74	7.8	3.80	211	129	6.79	7.5	4.20	GR69 GRF69	4P	141	186	10.11	0.7	0.80	GR39 GRF39	4P			61	446	23.44	8.3	1.15					72	379	19.89			8.0	1.45			80			342	17.95	7.8	1.60	91	301	15.79	7.6	1.75	96	284	14.91	7.5	1.80	113	242	12.70	7.2	2.00	124	220	11.54			7.0	2.10	143	190							10.00	6.7	2.30	53			513			26.97	4.1	0.80	GR59 GRF59	4P	284	93	10.11	2.2	1.65	GR39 GRF39	2P			65	417	21.93	4.2	1.00					77	354	18.60			4.1	1.20			85			320	16.79	4.0	1.30	97	281	14.77	4.0	1.45	GR59 GRF59	4P	303	87	9.47			2.3	1.70	GR29 GRF29	4P	103	266	13.95	3.9	1.50			120		226				11.88			3.8	1.65			133	205	10.79	3.7					1.75			153	178			9.35	3.6			1.95	158	172	9.06	3.6	2.00	179		152	7.97		3.5					2.20	190	143	7.53	3.5	2.30			223			122	6.41	3.3	2.60	246	111	5.82	3.3	2.70	283	96	5.05	3.1	3.00	GR59 GRF59	2P	335	79	4.27			0.9	1.00	GR29 GRF29	2P	326							84	4.39	3.0	3.10	131					208	21.93	3.8	2.00	154	176	18.60	3.6	2.40	171	159	16.79	3.5	2.60	194	140	14.77	3.4	2.90	206	132	13.95	3.4	3.00	242	113	11.88	3.3	3.30			266	102	10.79	3.2	3.50	GR59 GRF59	4P			358	74	4.00			1.0	1.05	GRX89 GRXF89	4P	88					309	16.22	1.9			0.85	98			277			14.56	2.4	0.90	114	239	12.54	2.9	0.95	121	224	11.79	2.9	1.00	141	193	10.15	2.8	1.10	GR49 GRF49			4P	424	62	3.37	1.2					1.15		GRX79 GRXF79	4P	222	126	6.45	6.8		1.45	257		109	5.56		6.5	2.00	282			99	5.07			6.3	2.40	318	88	4.50			6.1	3.20	378	74	3.78	5.8	3.90	302	92	4.73			4.8	1.25	354	79	4.04					4.6	1.75	386	72	3.70			4.5	2.00	440	63	3.25	4.3	2.70	464	60	3.08	4.3	3.10	GRX69 GRXF69			4P	379	74	3.77	3.0	1.15	447					63	3.20	2.9	1.55	495	56	2.89	2.8	1.80	563	50	2.54	2.7	2.30																
57	480	25.23	11	1.50			61	445	23.37	11	1.70			GR79 GRF79	4P	509	53	5.64	2.1	2.70			GR39 GRF39	4P	67	408	21.43	10	1.85					76	358	18.80	10	2.00					80	339	17.82	10	2.10					92	297	15.60	9.5	2.30			102	267	14.05	9.2	2.50	116	235	12.33	8.9	2.70	131	207	10.88	8.6			3.00	148	183				9.64	8.3	3.20	166	163	8.59				8.1	3.60	185	147	7.74	7.8	3.80	211							129			6.79	7.5	4.20	GR69 GRF69	4P	141	186	10.11	0.7	0.80	GR39 GRF39	4P			61	446	23.44	8.3	1.15					72	379	19.89	8.0	1.45					80	342	17.95			7.8	1.60			91			301	15.79	7.6	1.75	96	284	14.91	7.5	1.80	113	242	12.70	7.2	2.00	124	220	11.54	7.0	2.10	143	190	10.00	6.7	2.30	53	513	26.97	4.1				0.80	GR59 GRF59		4P	284	93	10.11			2.2			1.65	GR39 GRF39	2P			65	417	21.93	4.2	1.00					77	354	18.60	4.1	1.20					85	320	16.79	4.0	1.30	97	281			14.77	4.0	1.45	GR59 GRF59	4P	303	87	9.47	2.3	1.70	GR29 GRF29	4P			103	266	13.95			3.9	1.50			120	226	11.88	3.8	1.65			133		205		10.79	3.7	1.75			153	178	9.35	3.6	1.95	158	172	9.06					3.6			2.00	179			152	7.97			3.5	2.20	190	143	7.53	3.5	2.30		223	122		6.41					3.3	2.60	246	111	5.82	3.3			2.70			283	96	5.05	3.1	3.00	GR59 GRF59	2P	335	79	4.27	0.9	1.00	GR29 GRF29	2P			326	84	4.39			3.0	3.10			131							208	21.93	3.8	2.00	154					176	18.60	3.6	2.40	171	159	16.79	3.5	2.60	194	140	14.77	3.4	2.90	206	132	13.95	3.4	3.00	242	113	11.88	3.3	3.30	266	102	10.79	3.2	3.50	GR59 GRF59	4P	358	74	4.00	1.0	1.05			GRX89 GRXF89	4P	88	309	16.22			1.9	0.85			98					277	14.56	2.4	0.90	114	239	12.54			2.9	0.95	121	224	11.79	2.9	1.00	141	193	10.15	2.8	1.10	GR49 GRF49	4P	424	62	3.37	1.2	1.15	GRX79 GRXF79	4P					222	126	6.45	6.8					1.45				257	109	5.56	6.5		2.00	282		99	5.07		6.3	2.40	318			88	4.50	6.1	3.20	378	74	3.78	5.8	3.90	302	92	4.73	4.8	1.25	354	79	4.04	4.6	1.75	386	72			3.70	4.5	2.00	440	63					3.25	4.3	2.70	464	60			3.08	4.3	3.10	GRX69 GRXF69	4P	379	74	3.77	3.0	1.15	447	63					3.20	2.9	1.55	495	56	2.89		2.8	1.80		563	50	2.54	2.7	2.30																									
61	445	23.37	11	1.70	GR79 GRF79	4P	509	53	5.64	2.1	2.70	GR39 GRF39	4P																																																																																																																																																																																																																																																																																																																																																																																																																																																																																																																																																																									
67	408	21.43	10	1.85			76	358	18.80	10	2.00					80	339	17.82	10	2.10					92	297	15.60	9.5	2.30					102	267	14.05	9.2	2.50					116	235	12.33	8.9	2.70					131	207	10.88	8.6	3.00			148	183	9.64	8.3	3.20	166	163	8.59	8.1	3.60	185	147	7.74	7.8			3.80	211	129		6.79	7.5	4.20	GR69 GRF69	4P	141	186	10.11	0.7	0.80		GR39 GRF39	4P	61	446	23.44	8.3	1.15	72		379	19.89		8.0	1.45	80			342	17.95	7.8			1.60	91	301	15.79	7.6					1.75	96	284	14.91	7.5					1.80	113	242	12.70	7.2					2.00	124	220			11.54	7.0			2.10			143	190	10.00	6.7	2.30	53	513	26.97	4.1	0.80	GR59 GRF59	4P	284	93	10.11	2.2	1.65	GR39 GRF39	2P	65	417	21.93	4.2	1.00	77	354	18.60	4.1	1.20	85	320	16.79		4.0		1.30	97	281	14.77	4.0	1.45	GR59 GRF59	4P	303					87	9.47	2.3	1.70	GR29 GRF29			4P	103	266	13.95	3.9	1.50	120	226	11.88	3.8	1.65	133	205	10.79	3.7	1.75	153	178	9.35	3.6	1.95	158	172			9.06	3.6	2.00	179	152					7.97	3.5	2.20			190	143			7.53	3.5	2.30	223	122			6.41		3.3		2.60	246	111			5.82	3.3	2.70	283	96	5.05	3.1	3.00			GR59 GRF59	2P	335			79	4.27	0.9	1.00	GR29 GRF29	2P	326	84	4.39	3.0	3.10	131	208	21.93	3.8	2.00	154	176	18.60	3.6					2.40	171	159	16.79	3.5	2.60			194			140	14.77	3.4	2.90	206			132	13.95	3.4	3.00	242					113	11.88	3.3			3.30	266			102				10.79	3.2		3.50	GR59 GRF59	4P	358	74		4.00	1.0		1.05	GRX89 GRXF89	4P	88	309	16.22	1.9	0.85	98	277	14.56	2.4	0.90	114	239	12.54	2.9	0.95	121	224	11.79	2.9	1.00	141	193	10.15	2.8	1.10	GR49 GRF49			4P	424	62	3.37	1.2					1.15	GRX79 GRXF79	4P	222	126	6.45	6.8			1.45	257	109	5.56	6.5	2.00	282	99	5.07	6.3	2.40	318	88	4.50	6.1	3.20	378	74	3.78	5.8	3.90	302	92	4.73	4.8	1.25			354	79	4.04	4.6	1.75							386	72	3.70	4.5					2.00				440	63	3.25	4.3		2.70	464		60	3.08		4.3	3.10	GRX69 GRXF69			4P	379	74	3.77	3.0	1.15	447	63	3.20	2.9	1.55	495	56	2.89	2.8	1.80	563	50	2.54	2.7	2.30																																																																										
76	358	18.80	10	2.00			80	339	17.82	10	2.10					92	297	15.60	9.5	2.30					102	267	14.05	9.2	2.50					116	235	12.33	8.9	2.70					131	207	10.88	8.6	3.00					148	183	9.64	8.3	3.20			166	163	8.59	8.1	3.60	185	147	7.74	7.8	3.80	211	129	6.79	7.5			4.20	GR69 GRF69	4P	141	186	10.11	0.7			0.80	GR39 GRF39	4P	61	446	23.44			8.3	1.15	72	379	19.89	8.0		1.45	80		342	17.95	7.8	1.60	91	301	15.79	7.6			1.75	96	284	14.91	7.5					1.80	113	242	12.70	7.2					2.00	124	220	11.54	7.0					2.10	143	190			10.00	6.7			2.30			53	513	26.97	4.1	0.80	GR59 GRF59	4P	284	93	10.11			2.2	1.65	GR39 GRF39	2P	65			417	21.93	4.2	1.00	77	354	18.60	4.1	1.20	85	320	16.79	4.0		1.30		97	281	14.77	4.0	1.45	GR59 GRF59			4P			303	87	9.47	2.3	1.70	GR29 GRF29		4P	103		266	13.95	3.9	1.50	120	226	11.88	3.8	1.65	133	205	10.79	3.7	1.75	153	178	9.35	3.6	1.95	158	172	9.06			3.6	2.00	179	152	7.97					3.5	2.20	190			143	7.53			3.5	2.30	223	122	6.41			3.3		2.60		246	111	5.82			3.3	2.70	283	96	5.05	3.1	3.00	GR59 GRF59					2P			335	79	4.27	0.9			1.00	GR29 GRF29	2P	326	84	4.39	3.0	3.10	131	208	21.93	3.8	2.00	154		176	18.60		3.6	2.40	171	159	16.79	3.5	2.60	194	140			14.77	3.4	2.90	206	132			13.95	3.4	3.00	242	113					11.88	3.3	3.30			266	102			10.79			3.2	3.50	GR59 GRF59	4P	358			74	4.00	1.0	1.05	GRX89 GRXF89	4P	88			309	16.22	1.9	0.85	98	277	14.56	2.4	0.90	114	239	12.54	2.9	0.95	121	224	11.79	2.9	1.00	141	193	10.15	2.8	1.10	GR49 GRF49					4P	424	62	3.37	1.2	1.15			GRX79 GRXF79			4P	222	126	6.45	6.8	1.45	257	109	5.56	6.5	2.00	282	99	5.07	6.3	2.40	318	88	4.50	6.1	3.20	378	74	3.78	5.8	3.90	302	92	4.73	4.8	1.25	354			79	4.04	4.6	1.75	386							72	3.70	4.5	2.00					440				63	3.25	4.3	2.70		464	60		3.08	4.3		3.10	GRX69 GRXF69					4P	379	74	3.77	3.0	1.15	447	63	3.20	2.9	1.55	495	56	2.89	2.8	1.80	563	50	2.54	2.7	2.30																																																																									
80	339	17.82	10	2.10			92	297	15.60	9.5	2.30					102	267	14.05	9.2	2.50					116	235	12.33	8.9	2.70					131	207	10.88	8.6	3.00					148	183	9.64	8.3	3.20					166	163	8.59	8.1	3.60			185	147	7.74	7.8	3.80	211	129	6.79	7.5	4.20	GR69 GRF69	4P	141	186	10.11	0.7	0.80			GR39 GRF39	4P	61	446			23.44			8.3	1.15	72			379	19.89	8.0	1.45	80	342	17.95	7.8	1.60	91	301	15.79	7.6	1.75	96	284	14.91	7.5			1.80	113	242	12.70	7.2					2.00	124	220	11.54	7.0					2.10	143	190	10.00	6.7					2.30	53	513	26.97	4.1	0.80	GR59 GRF59			4P	284	93	10.11	2.2	1.65	GR39 GRF39	2P			65	417	21.93			4.2	1.00			77			354	18.60	4.1	1.20	85	320	16.79	4.0	1.30	97	281	14.77	4.0	1.45	GR59 GRF59	4P	303	87	9.47	2.3	1.70					GR29 GRF29	4P	103	266	13.95	3.9	1.50				120		226	11.88	3.8	1.65	133	205	10.79	3.7	1.75	153	178	9.35	3.6	1.95	158	172	9.06	3.6	2.00	179	152	7.97			3.5	2.20	190	143	7.53					3.5	2.30	223			122	6.41			3.3	2.60	246	111	5.82			3.3		2.70		283	96	5.05			3.1	3.00	GR59 GRF59	2P	335	79	4.27									0.9	1.00	GR29 GRF29	2P			326			84	4.39	3.0	3.10	131	208	21.93	3.8	2.00	154	176	18.60	3.6	2.40	171	159	16.79	3.5	2.60	194	140	14.77	3.4	2.90	206	132	13.95	3.4	3.00	242	113			11.88	3.3	3.30	266	102					10.79	3.2	3.50	GR59 GRF59	4P	358	74			4.00	1.0	1.05	GRX89 GRXF89	4P			88			309	16.22	1.9	0.85			98			277	14.56	2.4	0.90	114	239	12.54	2.9	0.95	121	224	11.79	2.9	1.00	141	193	10.15	2.8	1.10	GR49 GRF49	4P	424	62	3.37			1.2	1.15			GRX79 GRXF79	4P	222	126	6.45	6.8	1.45					257	109	5.56	6.5	2.00	282	99	5.07	6.3	2.40	318	88	4.50	6.1	3.20	378	74	3.78	5.8	3.90	302	92	4.73	4.8	1.25	354	79	4.04	4.6	1.75	386			72	3.70	4.5	2.00	440							63	3.25	4.3	2.70					464	60			3.08	4.3	3.10	GRX69 GRXF69	4P	379	74		3.77	3.0		1.15			447	63			3.20	2.9	1.55	495	56	2.89	2.8	1.80	563	50	2.54	2.7	2.30																																																																																
92	297	15.60	9.5	2.30			102	267	14.05	9.2	2.50					116	235	12.33	8.9	2.70					131	207	10.88	8.6	3.00					148	183	9.64	8.3	3.20					166	163	8.59	8.1	3.60					185	147	7.74	7.8	3.80			211	129	6.79	7.5	4.20	GR69 GRF69	4P	141	186	10.11			0.7	0.80	GR39 GRF39	4P	61					446	23.44			8.3			1.15	72	379			19.89	8.0	1.45	80	342	17.95	7.8	1.60	91	301	15.79	7.6	1.75	96	284	14.91	7.5	1.80			113	242	12.70	7.2	2.00					124	220	11.54	7.0	2.10					143	190	10.00	6.7	2.30			53	513	26.97	4.1	0.80	GR59 GRF59	4P	284		93	10.11		2.2	1.65	GR39 GRF39	2P	65					417	21.93	4.2			1.00	77			354			18.60	4.1	1.20	85	320	16.79	4.0	1.30	97	281	14.77	4.0	1.45	GR59 GRF59			4P	303	87	9.47	2.3							1.70	GR29 GRF29	4P	103	266				13.95		3.9	1.50	120	226	11.88	3.8	1.65	133	205	10.79	3.7	1.75	153	178	9.35	3.6	1.95	158	172	9.06	3.6	2.00			179	152	7.97	3.5	2.20					190	143	7.53			3.5	2.30			223	122	6.41	3.3	2.60			246		111		5.82	3.3	2.70			283	96			5.05	3.1	3.00									GR59 GRF59	2P					335			79	4.27	0.9	1.00	GR29 GRF29	2P	326	84	4.39	3.0	3.10	131	208	21.93	3.8	2.00	154	176	18.60	3.6	2.40	171	159	16.79	3.5	2.60	194	140	14.77	3.4	2.90			206	132	13.95	3.4	3.00			242	113	11.88	3.3	3.30			266	102	10.79	3.2	3.50	GR59 GRF59	4P					358			74	4.00	1.0	1.05			GRX89 GRXF89			4P	88	309	16.22	1.9	0.85	98	277	14.56	2.4	0.90	114	239	12.54	2.9	0.95	121	224	11.79			2.9	1.00	141			193	10.15					2.8	1.10	GR49 GRF49	4P	424					62	3.37	1.2	1.15	GRX79 GRXF79	4P	222	126	6.45	6.8	1.45	257	109	5.56	6.5	2.00	282	99	5.07	6.3	2.40	318	88	4.50	6.1	3.20	378	74	3.78	5.8	3.90			302	92	4.73	4.8	1.25							354	79	4.04	4.6			1.75	386	72	3.70			4.5	2.00	440			63	3.25	4.3	2.70	464	60	3.08			4.3	3.10			GRX69 GRXF69	4P	379	74	3.77	3.0	1.15	447	63	3.20	2.9	1.55	495	56	2.89	2.8	1.80	563	50	2.54	2.7	2.30																																																																							
102	267	14.05	9.2	2.50			116	235	12.33	8.9	2.70					131	207	10.88	8.6	3.00					148	183	9.64	8.3	3.20					166	163	8.59	8.1	3.60					185	147	7.74	7.8	3.80			211	129	6.79	7.5	4.20	GR69 GRF69	4P	141	186	10.11	0.7	0.80	GR39 GRF39	4P			61	446	23.44			8.3	1.15			72					379	19.89			8.0			1.45	80	342			17.95	7.8	1.60	91	301	15.79	7.6	1.75	96	284	14.91	7.5	1.80	113	242	12.70	7.2	2.00			124	220	11.54	7.0	2.10					143	190	10.00	6.7	2.30			53	513	26.97	4.1	0.80	GR59 GRF59	4P	284	93	10.11	2.2	1.65	GR39 GRF39	2P			65		417	21.93		4.2	1.00			77					354	18.60	4.1	1.20	85	320	16.79			4.0	1.30	97	281	14.77	4.0	1.45	GR59 GRF59	4P	303	87	9.47	2.3	1.70	GR29 GRF29	4P					103	266	13.95	3.9							1.50			120	226				11.88		3.8	1.65	133	205	10.79	3.7	1.75	153	178	9.35	3.6	1.95	158	172	9.06	3.6	2.00	179	152	7.97	3.5	2.20			190	143	7.53	3.5	2.30					223	122	6.41			3.3	2.60			246	111	5.82	3.3	2.70			283		96		5.05	3.1	3.00	GR59 GRF59	2P	335	79			4.27	0.9	1.00							GR29 GRF29	2P							326			84	4.39	3.0	3.10			131	208	21.93	3.8	2.00	154	176	18.60	3.6	2.40	171	159	16.79	3.5	2.60	194	140	14.77	3.4	2.90	206	132	13.95	3.4	3.00	242	113	11.88	3.3	3.30	266	102	10.79	3.2	3.50	GR59 GRF59	4P	358	74			4.00	1.0	1.05	GRX89 GRXF89	4P							88	309	16.22	1.9	0.85	98	277				14.56	2.4		0.90	114	239	12.54	2.9	0.95	121	224	11.79	2.9	1.00	141	193	10.15	2.8	1.10	GR49 GRF49	4P			424	62	3.37			1.2	1.15					GRX79 GRXF79	4P			222					126	6.45	6.8	1.45			257	109	5.56	6.5	2.00	282	99	5.07	6.3	2.40	318	88	4.50	6.1	3.20	378	74	3.78	5.8	3.90	302	92	4.73	4.8	1.25			354	79	4.04	4.6	1.75				386	72		3.70	4.5	2.00	440	63	3.25	4.3	2.70	464	60			3.08	4.3	3.10			GRX69 GRXF69	4P	379	74	3.77	3.0	1.15		447	63	3.20	2.9				1.55	495	56	2.89	2.8	1.80	563	50	2.54	2.7	2.30																																																																																
116	235	12.33	8.9	2.70			131	207	10.88	8.6	3.00					148	183	9.64	8.3	3.20					166	163	8.59	8.1	3.60					185	147	7.74	7.8	3.80			211	129	6.79	7.5	4.20	GR69 GRF69	4P	141	186	10.11	0.7	0.80	GR39 GRF39	4P			61	446	23.44	8.3	1.15					72	379	19.89			8.0	1.45			80					342	17.95			7.8			1.60	91	301			15.79	7.6	1.75	96	284	14.91	7.5	1.80	113	242	12.70	7.2	2.00	124	220	11.54	7.0	2.10			143	190	10.00	6.7	2.30			53	513	26.97	4.1	0.80	GR59 GRF59	4P	284	93	10.11	2.2	1.65	GR39 GRF39	2P			65	417	21.93	4.2	1.00					77		354	18.60		4.1	1.20			85			320	16.79	4.0	1.30	97	281	14.77	4.0	1.45	GR59 GRF59	4P	303	87	9.47	2.3	1.70	GR29 GRF29	4P			103	266	13.95	3.9	1.50							120	226	11.88	3.8							1.65			133	205				10.79		3.7	1.75	153	178	9.35	3.6	1.95	158	172	9.06	3.6	2.00	179	152	7.97	3.5	2.20	190	143	7.53	3.5	2.30			223	122	6.41	3.3	2.60					246	111	5.82			3.3	2.70			283	96	5.05	3.1	3.00			GR59 GRF59	2P	335	79	4.27	0.9	1.00			GR29 GRF29	2P			326	84	4.39		3.0	3.10												131			208	21.93	3.8	2.00			154	176	18.60	3.6	2.40	171	159	16.79	3.5	2.60	194	140	14.77	3.4	2.90	206	132	13.95	3.4	3.00	242	113	11.88	3.3	3.30	266	102	10.79	3.2	3.50	GR59 GRF59	4P	358	74	4.00			1.0	1.05			GRX89 GRXF89	4P	88							309	16.22	1.9	0.85	98	277	14.56	2.4	0.90	114	239		12.54	2.9		0.95	121	224	11.79	2.9	1.00	141	193	10.15	2.8	1.10	GR49 GRF49	4P	424	62	3.37					1.2	1.15	GRX79 GRXF79			4P	222									126					6.45	6.8	1.45	257			109	5.56	6.5	2.00	282	99	5.07	6.3	2.40	318	88	4.50	6.1	3.20	378	74	3.78	5.8	3.90	302	92	4.73	4.8	1.25	354			79	4.04	4.6	1.75	386			72	3.70	4.5	2.00	440	63	3.25	4.3	2.70	464	60	3.08	4.3	3.10	GRX69 GRXF69	4P	379	74	3.77					3.0	1.15	447	63	3.20	2.9	1.55	495	56	2.89	2.8			1.80	563	50	2.54	2.7	2.30																																																																																					
131	207	10.88	8.6	3.00			148	183	9.64	8.3	3.20					166	163	8.59	8.1	3.60					185	147	7.74	7.8	3.80			211	129	6.79	7.5	4.20	GR69 GRF69	4P	141	186	10.11	0.7	0.80	GR39 GRF39	4P			61	446	23.44	8.3	1.15					72	379	19.89	8.0	1.45					80	342	17.95			7.8	1.60			91					301	15.79			7.6			1.75	96	284			14.91	7.5	1.80	113	242	12.70	7.2	2.00	124	220	11.54	7.0	2.10	143	190	10.00	6.7	2.30	53	513	26.97	4.1	0.80	GR59 GRF59	4P	284	93	10.11	2.2	1.65	GR39 GRF39	2P			65	417	21.93	4.2	1.00					77	354	18.60	4.1	1.20					85	320	16.79	4.0	1.30	97	281			14.77	4.0	1.45	GR59 GRF59	4P	303	87	9.47	2.3	1.70	GR29 GRF29	4P			103	266	13.95	3.9	1.50					120	226	11.88	3.8	1.65							133	205	10.79	3.7							1.75			153	178				9.35		3.6	1.95	158	172	9.06	3.6	2.00	179	152	7.97	3.5	2.20	190	143	7.53	3.5	2.30	223	122	6.41	3.3	2.60			246	111	5.82	3.3	2.70					283	96	5.05	3.1	3.00	GR59 GRF59	2P			335	79	4.27	0.9	1.00	GR29 GRF29	2P			326	84	4.39	3.0	3.10							131	208	21.93		3.8	2.00	154	176								18.60	3.6	2.40			171	159	16.79	3.5			2.60	194	140	14.77	3.4	2.90	206	132	13.95	3.4	3.00	242	113	11.88	3.3	3.30	266	102	10.79	3.2	3.50	GR59 GRF59	4P	358	74	4.00	1.0	1.05	GRX89 GRXF89	4P			88	309	16.22			1.9	0.85	98	277			14.56					2.4	0.90	114	239	12.54	2.9	0.95	121	224	11.79	2.9	1.00	141		193	10.15		2.8	1.10	GR49 GRF49	4P	424	62	3.37	1.2	1.15	GRX79 GRXF79	4P			222	126	6.45					6.8	1.45					257									109					5.56	6.5	2.00	282			99	5.07	6.3	2.40	318	88	4.50	6.1	3.20	378	74	3.78	5.8	3.90	302	92	4.73	4.8	1.25	354	79	4.04	4.6	1.75	386	72	3.70	4.5	2.00	440	63	3.25	4.3	2.70	464	60	3.08	4.3	3.10	GRX69 GRXF69	4P	379	74	3.77	3.0	1.15	447	63			3.20	2.9	1.55	495	56			2.89	2.8	1.80	563	50	2.54	2.7	2.30																																																																																																
148	183	9.64	8.3	3.20			166	163	8.59	8.1	3.60					185	147	7.74	7.8	3.80	211	129			6.79	7.5	4.20	GR69 GRF69	4P	141	186	10.11	0.7	0.80	GR39 GRF39	4P			61	446	23.44	8.3	1.15					72	379	19.89	8.0	1.45					80	342	17.95	7.8	1.60					91	301	15.79			7.6	1.75			96					284	14.91			7.5			1.80	113	242			12.70	7.2	2.00	124	220	11.54	7.0	2.10	143	190	10.00	6.7	2.30	53	513	26.97	4.1	0.80	GR59 GRF59	4P	284	93	10.11			2.2	1.65	GR39 GRF39	2P	65					417	21.93	4.2	1.00	77					354	18.60	4.1	1.20	85			320	16.79	4.0	1.30	97	281	14.77	4.0	1.45	GR59 GRF59	4P	303	87	9.47			2.3	1.70	GR29 GRF29	4P	103					266	13.95	3.9	1.50	120					226	11.88	3.8	1.65	133							205	10.79	3.7	1.75							153			178	9.35				3.6		1.95	158	172	9.06	3.6	2.00	179	152	7.97	3.5	2.20	190	143	7.53	3.5	2.30	223	122	6.41	3.3	2.60	246			111	5.82	3.3	2.70	283			96	5.05	3.1	3.00	GR59 GRF59	2P	335			79	4.27	0.9	1.00	GR29 GRF29	2P	326					84	4.39	3.0	3.10	131							208	21.93	3.8	2.00	154	176	18.60	3.6	2.40							171	159	16.79	3.5	2.60	194	140	14.77	3.4			2.90	206	132	13.95	3.4	3.00	242	113	11.88	3.3	3.30	266	102	10.79	3.2	3.50	GR59 GRF59	4P	358	74	4.00			1.0	1.05	GRX89 GRXF89	4P	88					309	16.22	1.9			0.85	98	277	14.56			2.4			0.90	114	239	12.54	2.9	0.95	121	224	11.79	2.9	1.00	141	193	10.15	2.8	1.10	GR49 GRF49	4P	424	62	3.37			1.2	1.15	GRX79 GRXF79	4P	222					126	6.45	6.8					1.45	257					109									5.56					6.5	2.00	282	99			5.07	6.3	2.40	318	88	4.50	6.1	3.20	378	74	3.78	5.8	3.90	302	92	4.73	4.8	1.25	354	79	4.04	4.6	1.75	386	72	3.70	4.5	2.00	440	63	3.25	4.3	2.70	464	60	3.08	4.3	3.10	GRX69 GRXF69			4P	379	74	3.77	3.0	1.15	447			63	3.20	2.9	1.55	495			56	2.89	2.8	1.80	563	50	2.54	2.7	2.30																																																																																															
166	163	8.59	8.1	3.60			185	147	7.74	7.8	3.80			211	129	6.79	7.5	4.20	GR69 GRF69	4P	141	186	10.11	0.7	0.80	GR39 GRF39	4P			61	446	23.44	8.3	1.15					72	379	19.89	8.0	1.45					80	342	17.95	7.8	1.60					91	301	15.79	7.6	1.75					96	284	14.91			7.5	1.80			113					242	12.70	7.2	2.00	124			220	11.54	7.0	2.10	143	190	10.00	6.7	2.30	53	513	26.97	4.1	0.80	GR59 GRF59	4P	284	93	10.11	2.2	1.65	GR39 GRF39	2P			65	417	21.93			4.2	1.00			77					354	18.60	4.1	1.20	85			320	16.79	4.0	1.30	97	281	14.77	4.0	1.45	GR59 GRF59	4P	303	87	9.47	2.3	1.70	GR29 GRF29	4P			103	266	13.95			3.9	1.50			120					226	11.88	3.8	1.65	133					205	10.79	3.7	1.75	153							178	9.35	3.6	1.95							158			172	9.06				3.6		2.00	179	152	7.97	3.5	2.20	190	143	7.53	3.5	2.30	223	122	6.41	3.3	2.60	246	111	5.82	3.3	2.70	283	96	5.05	3.1	3.00	GR59 GRF59	2P	335	79	4.27	0.9	1.00	GR29 GRF29	2P			326			84	4.39	3.0	3.10			131					208	21.93	3.8	2.00	154					176	18.60	3.6	2.40	171	159	16.79	3.5	2.60	194	140					14.77	3.4	2.90	206	132	13.95	3.4	3.00	242	113	11.88			3.3	3.30	266	102	10.79	3.2	3.50	GR59 GRF59	4P	358	74	4.00	1.0	1.05	GRX89 GRXF89	4P			88	309	16.22			1.9	0.85			98					277	14.56	2.4	0.90	114	239	12.54	2.9	0.95			121	224	11.79	2.9	1.00	141	193	10.15	2.8	1.10	GR49 GRF49	4P	424	62	3.37	1.2	1.15	GRX79 GRXF79	4P			222	126	6.45			6.8	1.45			257					109	5.56	6.5					2.00	282			99		5.07	6.3								2.40		318	88		4.50	6.1	3.20	378			74	3.78	5.8	3.90	302	92	4.73	4.8	1.25	354	79	4.04	4.6	1.75	386	72	3.70	4.5	2.00	440	63	3.25	4.3	2.70	464	60	3.08	4.3	3.10	GRX69 GRXF69	4P	379	74	3.77	3.0	1.15	447	63					3.20	2.9	1.55	495	56	2.89			2.8	1.80	563	50	2.54	2.7	2.30																																																																																																								
185	147	7.74	7.8	3.80	211	129	6.79	7.5	4.20	GR69 GRF69	4P	141	186	10.11	0.7	0.80	GR39 GRF39	4P			61	446	23.44	8.3	1.15					72	379	19.89	8.0	1.45					80	342	17.95	7.8	1.60					91	301	15.79	7.6	1.75					96	284	14.91	7.5	1.80					113	242	12.70			7.2	2.00			124	220	11.54			7.0	2.10	143	190	10.00	6.7	2.30	53	513	26.97	4.1	0.80	GR59 GRF59	4P	284	93	10.11	2.2	1.65	GR39 GRF39	2P			65	417	21.93	4.2	1.00					77	354	18.60			4.1	1.20			85			320	16.79	4.0	1.30	97	281	14.77	4.0	1.45	GR59 GRF59	4P	303	87	9.47	2.3	1.70	GR29 GRF29	4P			103	266	13.95	3.9	1.50					120	226	11.88			3.8	1.65			133					205	10.79	3.7	1.75	153					178	9.35	3.6	1.95	158							172	9.06	3.6	2.00							179			152	7.97				3.5		2.20	190	143	7.53	3.5	2.30	223	122	6.41	3.3	2.60	246	111	5.82	3.3	2.70	283	96	5.05	3.1	3.00	GR59 GRF59	2P	335	79	4.27			0.9	1.00	GR29 GRF29	2P	326					84			4.39	3.0	3.10	131			208					21.93	3.8	2.00	154	176					18.60	3.6	2.40	171	159	16.79	3.5	2.60	194	140	14.77			3.4	2.90	206	132	13.95	3.4	3.00	242	113	11.88	3.3	3.30	266	102	10.79	3.2	3.50	GR59 GRF59	4P	358	74	4.00			1.0	1.05	GRX89 GRXF89	4P	88					309	16.22	1.9			0.85	98			277			14.56	2.4	0.90	114	239	12.54	2.9	0.95	121	224	11.79	2.9	1.00	141	193	10.15	2.8	1.10	GR49 GRF49	4P	424	62	3.37			1.2	1.15	GRX79 GRXF79	4P	222					126	6.45	6.8			1.45	257			109					5.56	6.5	2.00					282	99		5.07	6.3		2.40	318	88							4.50	6.1	3.20	378	74	3.78	5.8	3.90	302			92	4.73	4.8	1.25	354	79	4.04	4.6	1.75	386	72	3.70	4.5	2.00	440	63	3.25	4.3	2.70	464	60	3.08	4.3	3.10	GRX69 GRXF69	4P	379	74	3.77			3.0	1.15	447	63	3.20	2.9	1.55					495	56	2.89	2.8	1.80	563	50	2.54	2.7	2.30																																																																																																													
211	129	6.79	7.5	4.20	GR69 GRF69	4P	141	186	10.11			0.7	0.80	GR39 GRF39	4P																																																																																																																																																																																																																																																																																																																																																																																																																																																																																																																																																																							
61	446	23.44	8.3	1.15			72	379	19.89			8.0	1.45			80					342	17.95	7.8	1.60	91					301	15.79	7.6	1.75	96					284	14.91	7.5	1.80	113					242	12.70	7.2	2.00	124					220	11.54	7.0	2.10	143			190	10.00	6.7	2.30	53	513	26.97	4.1	0.80	GR59 GRF59	4P	284	93	10.11	2.2	1.65	GR39 GRF39	2P	65	417	21.93	4.2	1.00	77	354	18.60	4.1	1.20			85	320	16.79	4.0	1.30					97	281	14.77	4.0	1.45			GR59 GRF59	4P	303	87	9.47	2.3	1.70	GR29 GRF29	4P	103	266	13.95	3.9	1.50	120	226	11.88	3.8	1.65	133	205	10.79	3.7			1.75	153	178	9.35	3.6					1.95	158	172	9.06	3.6					2.00	179	152			7.97	3.5			2.20					190	143	7.53	3.5	2.30					223	122	6.41	3.3	2.60							246	111	5.82	3.3	2.70	283	96	5.05			3.1			3.00	GR59 GRF59	2P	335	79	4.27	0.9	1.00	GR29 GRF29	2P	326	84	4.39	3.0	3.10	131	208	21.93	3.8	2.00	154	176	18.60	3.6	2.40	171	159	16.79			3.5	2.60	194			140	14.77			3.4					2.90			206	132	13.95	3.4			3.00			242	113	11.88	3.3	3.30	266	102	10.79	3.2	3.50	GR59 GRF59	4P	358	74	4.00	1.0	1.05	GRX89 GRXF89	4P	88	309	16.22	1.9	0.85	98	277	14.56	2.4	0.90	114	239	12.54	2.9	0.95	121	224	11.79	2.9	1.00	141	193			10.15	2.8	1.10			GR49 GRF49	4P			424			62	3.37	1.2	1.15	GRX79 GRXF79	4P	222	126	6.45	6.8	1.45	257	109	5.56	6.5	2.00	282	99	5.07	6.3	2.40	318	88	4.50	6.1	3.20	378	74	3.78	5.8	3.90	302			92	4.73	4.8			1.25	354			79					4.04	4.6	1.75			386	72			3.70					4.5	2.00	440			63	3.25	4.3	2.70		464	60		3.08	4.3	3.10	GRX69 GRXF69	4P			379	74	3.77	3.0	1.15	447	63	3.20	2.9	1.55	495	56	2.89	2.8	1.80	563	50	2.54	2.7	2.30																																																																																																																																																										
72	379	19.89	8.0	1.45			80	342	17.95			7.8	1.60			91					301	15.79	7.6	1.75	96					284	14.91	7.5	1.80	113					242	12.70	7.2	2.00	124					220	11.54	7.0	2.10	143			190	10.00	6.7	2.30	53	513	26.97	4.1	0.80	GR59 GRF59	4P	284	93	10.11	2.2	1.65	GR39 GRF39	2P			65	417	21.93	4.2	1.00			77	354	18.60	4.1	1.20	85	320	16.79	4.0	1.30			97	281	14.77	4.0	1.45			GR59 GRF59	4P	303	87	9.47	2.3	1.70	GR29 GRF29	4P			103	266	13.95	3.9	1.50			120	226	11.88	3.8	1.65	133	205	10.79	3.7	1.75	153	178	9.35	3.6			1.95	158	172	9.06	3.6					2.00	179	152	7.97	3.5					2.20	190	143			7.53	3.5			2.30					223	122	6.41	3.3	2.60					246	111	5.82	3.3	2.70				283	96		5.05	3.1	3.00	GR59 GRF59	2P	335	79	4.27	0.9	1.00	GR29 GRF29			2P			326	84	4.39	3.0	3.10			131	208	21.93	3.8	2.00	154	176	18.60	3.6	2.40	171	159	16.79	3.5	2.60	194	140	14.77			3.4	2.90	206			132	13.95			3.4					3.00	242	113	11.88	3.3	3.30	266			102	10.79	3.2	3.50	GR59 GRF59	4P	358	74	4.00	1.0	1.05	GRX89 GRXF89	4P			88	309	16.22	1.9	0.85			98	277	14.56	2.4	0.90	114	239	12.54	2.9	0.95	121	224	11.79	2.9	1.00	141	193	10.15	2.8	1.10	GR49 GRF49	4P			424	62	3.37	1.2	1.15					GRX79 GRXF79	4P	222	126	6.45	6.8	1.45			257	109	5.56	6.5	2.00	282	99	5.07	6.3	2.40	318	88	4.50	6.1	3.20	378	74	3.78	5.8	3.90	302	92	4.73	4.8	1.25	354			79	4.04	4.6			1.75	386			72					3.70	4.5	2.00			440	63			3.25					4.3	2.70	464	60	3.08	4.3	3.10	GRX69 GRXF69	4P		379	74		3.77	3.0	1.15			447	63	3.20	2.9	1.55	495	56	2.89	2.8	1.80	563	50	2.54	2.7	2.30																																																																																																																																																																	
80	342	17.95	7.8	1.60			91	301	15.79			7.6	1.75			96					284	14.91	7.5	1.80	113					242	12.70	7.2	2.00	124					220	11.54	7.0	2.10	143			190	10.00	6.7	2.30	53	513	26.97	4.1	0.80	GR59 GRF59	4P	284	93	10.11	2.2	1.65	GR39 GRF39	2P			65	417	21.93	4.2	1.00					77	354	18.60	4.1	1.20			85	320	16.79	4.0	1.30	97	281	14.77	4.0	1.45	GR59 GRF59	4P	303	87	9.47	2.3	1.70	GR29 GRF29	4P			103	266	13.95	3.9	1.50					120	226	11.88	3.8	1.65			133	205	10.79	3.7	1.75	153	178	9.35	3.6	1.95	158	172	9.06	3.6			2.00	179	152	7.97	3.5					2.20	190	143	7.53	3.5					2.30	223	122			6.41	3.3			2.60					246	111	5.82	3.3	2.70					283	96	5.05	3.1	3.00			GR59 GRF59	2P	335	79	4.27	0.9	1.00			GR29 GRF29	2P	326	84	4.39		3.0	3.10				131	208	21.93	3.8	2.00			154	176	18.60	3.6	2.40	171	159	16.79	3.5	2.60	194	140	14.77	3.4	2.90	206	132	13.95			3.4	3.00	242			113	11.88			3.3			3.30	266	102	10.79	3.2	3.50	GR59 GRF59	4P	358	74	4.00	1.0	1.05	GRX89 GRXF89	4P			88	309	16.22	1.9	0.85					98	277	14.56	2.4	0.90			114	239	12.54	2.9	0.95	121	224	11.79	2.9	1.00	141	193	10.15	2.8	1.10	GR49 GRF49	4P	424	62	3.37			1.2	1.15	GRX79 GRXF79	4P	222	126	6.45			6.8	1.45			257	109	5.56	6.5	2.00			282	99	5.07	6.3	2.40	318	88	4.50	6.1	3.20	378	74	3.78	5.8	3.90	302	92	4.73	4.8	1.25	354	79	4.04	4.6	1.75	386			72	3.70	4.5			2.00	440			63					3.25	4.3	2.70			464	60			3.08			4.3	3.10	GRX69 GRXF69	4P	379	74	3.77	3.0	1.15			447	63	3.20	2.9	1.55	495	56			2.89	2.8	1.80	563	50	2.54	2.7	2.30																																																																																																																																																																								
91	301	15.79	7.6	1.75			96	284	14.91			7.5	1.80			113					242	12.70	7.2	2.00	124					220	11.54	7.0	2.10	143			190	10.00	6.7	2.30	53	513	26.97	4.1	0.80	GR59 GRF59	4P	284	93	10.11	2.2	1.65	GR39 GRF39	2P			65	417	21.93	4.2	1.00					77	354	18.60	4.1	1.20					85	320	16.79	4.0	1.30			97	281	14.77	4.0	1.45	GR59 GRF59	4P	303	87	9.47			2.3	1.70	GR29 GRF29	4P	103					266	13.95	3.9	1.50	120					226	11.88	3.8	1.65	133			205	10.79	3.7	1.75	153	178	9.35	3.6	1.95	158	172	9.06	3.6	2.00			179	152	7.97	3.5	2.20					190	143	7.53	3.5	2.30					223	122	6.41			3.3	2.60			246					111	5.82	3.3	2.70	283			96	5.05	3.1	3.00	GR59 GRF59	2P	335	79	4.27			0.9	1.00	GR29 GRF29	2P	326					84	4.39	3.0		3.10	131				208	21.93	3.8	2.00	154			176	18.60	3.6	2.40	171	159	16.79	3.5	2.60	194	140	14.77	3.4	2.90	206	132	13.95	3.4			3.00	242	113	11.88	3.3	3.30	266			102	10.79	3.2	3.50	GR59 GRF59	4P	358	74	4.00			1.0	1.05	GRX89 GRXF89	4P	88					309	16.22	1.9	0.85	98					277	14.56	2.4	0.90	114			239	12.54	2.9	0.95	121	224	11.79	2.9	1.00	141	193	10.15	2.8	1.10	GR49 GRF49			4P	424	62			3.37	1.2			1.15	GRX79 GRXF79	4P			222	126			6.45	6.8	1.45	257	109			5.56	6.5	2.00	282	99	5.07	6.3	2.40	318	88	4.50	6.1	3.20	378	74	3.78	5.8	3.90	302	92	4.73	4.8	1.25	354	79	4.04			4.6	1.75	386			72	3.70			4.5					2.00	440	63	3.25	4.3	2.70	464			60	3.08	4.3	3.10	GRX69 GRXF69			4P	379	74	3.77	3.0			1.15	447	63	3.20	2.9	1.55	495			56	2.89	2.8	1.80	563	50	2.54	2.7	2.30																																																																																																																																																																							
96	284	14.91	7.5	1.80			113	242	12.70			7.2	2.00			124					220	11.54	7.0	2.10	143			190	10.00	6.7	2.30	53	513	26.97	4.1	0.80	GR59 GRF59	4P	284	93	10.11	2.2	1.65	GR39 GRF39	2P			65	417	21.93	4.2	1.00					77	354	18.60	4.1	1.20					85	320	16.79	4.0	1.30			97	281	14.77	4.0	1.45	GR59 GRF59	4P	303	87	9.47	2.3	1.70	GR29 GRF29	4P			103	266	13.95			3.9	1.50			120					226	11.88	3.8	1.65	133					205	10.79	3.7	1.75	153			178	9.35	3.6	1.95	158	172	9.06	3.6	2.00	179	152	7.97	3.5	2.20			190	143	7.53	3.5	2.30					223	122	6.41	3.3	2.60					246	111	5.82			3.3	2.70			283			96	5.05	3.1	3.00	GR59 GRF59	2P	335	79	4.27	0.9	1.00	GR29 GRF29	2P			326	84	4.39			3.0	3.10			131					208	21.93	3.8		2.00	154				176	18.60	3.6	2.40	171			159	16.79	3.5	2.60	194	140	14.77	3.4	2.90	206	132	13.95	3.4	3.00	242	113	11.88	3.3	3.30	266	102	10.79	3.2	3.50	GR59 GRF59	4P	358	74	4.00	1.0	1.05	GRX89 GRXF89	4P			88	309	16.22			1.9	0.85			98					277	14.56	2.4	0.90	114			239	12.54	2.9	0.95	121	224	11.79	2.9	1.00	141	193	10.15	2.8	1.10	GR49 GRF49	4P	424	62	3.37	1.2	1.15	GRX79 GRXF79	4P					222	126			6.45	6.8			1.45					257	109			5.56	6.5	2.00	282	99			5.07	6.3	2.40	318	88	4.50	6.1	3.20	378	74	3.78	5.8	3.90	302	92	4.73	4.8	1.25	354	79	4.04	4.6	1.75	386	72	3.70			4.5	2.00	440			63	3.25			4.3			2.70	464	60	3.08	4.3	3.10	GRX69 GRXF69	4P	379	74	3.77	3.0	1.15	447	63					3.20	2.9	1.55	495			56	2.89	2.8	1.80	563	50	2.54	2.7	2.30																																																																																																																																																																																
113	242	12.70	7.2	2.00			124	220	11.54			7.0	2.10			143			190	10.00	6.7	2.30	53	513	26.97	4.1	0.80	GR59 GRF59	4P	284	93	10.11	2.2	1.65	GR39 GRF39	2P			65	417	21.93	4.2	1.00					77	354	18.60	4.1	1.20					85	320	16.79	4.0	1.30			97	281	14.77	4.0	1.45	GR59 GRF59	4P	303	87	9.47	2.3	1.70	GR29 GRF29	4P			103	266	13.95	3.9	1.50					120	226	11.88			3.8	1.65			133					205	10.79	3.7	1.75	153					178	9.35	3.6	1.95	158			172	9.06	3.6	2.00	179	152	7.97	3.5	2.20	190	143	7.53	3.5	2.30			223	122	6.41	3.3	2.60					246	111	5.82	3.3	2.70					283	96	5.05	3.1	3.00	GR59 GRF59	2P			335	79	4.27	0.9	1.00	GR29 GRF29	2P			326	84	4.39	3.0	3.10					131	208	21.93			3.8	2.00			154					176	18.60	3.6		2.40	171				159	16.79	3.5	2.60	194			140	14.77	3.4	2.90	206	132	13.95	3.4	3.00	242	113	11.88	3.3	3.30	266	102	10.79	3.2	3.50	GR59 GRF59	4P	358	74	4.00			1.0	1.05	GRX89 GRXF89	4P	88					309	16.22	1.9			0.85	98			277			14.56	2.4	0.90	114	239	12.54	2.9	0.95	121	224	11.79	2.9	1.00	141	193	10.15	2.8	1.10	GR49 GRF49	4P	424	62	3.37			1.2	1.15	GRX79 GRXF79	4P	222							126	6.45			6.8	1.45			257					109	5.56			6.5	2.00	282	99	5.07			6.3	2.40	318	88	4.50	6.1	3.20	378	74	3.78	5.8	3.90	302	92	4.73	4.8	1.25	354	79	4.04	4.6	1.75	386	72	3.70	4.5			2.00	440	63	3.25	4.3	2.70	464			60	3.08	4.3	3.10	GRX69 GRXF69	4P	379	74	3.77			3.0	1.15	447	63	3.20	2.9	1.55					495	56	2.89	2.8	1.80	563	50	2.54	2.7	2.30																																																																																																																																																																																					
124	220	11.54	7.0	2.10			143	190	10.00	6.7	2.30	53	513			26.97	4.1	0.80	GR59 GRF59	4P	284	93	10.11	2.2	1.65	GR39 GRF39	2P			65	417	21.93	4.2	1.00					77	354	18.60	4.1	1.20					85	320	16.79	4.0	1.30			97	281	14.77	4.0	1.45	GR59 GRF59	4P	303	87	9.47	2.3	1.70	GR29 GRF29	4P			103	266	13.95	3.9	1.50					120	226	11.88	3.8	1.65					133	205	10.79			3.7	1.75			153					178	9.35	3.6	1.95	158					172	9.06	3.6	2.00	179			152	7.97	3.5	2.20	190	143	7.53	3.5	2.30	223	122	6.41	3.3	2.60			246	111	5.82	3.3	2.70					283	96	5.05	3.1	3.00			GR59 GRF59	2P	335	79	4.27	0.9	1.00			GR29 GRF29	2P	326	84	4.39	3.0	3.10					131	208	21.93	3.8	2.00					154	176	18.60			3.6	2.40			171					159	16.79	3.5		2.60	194		140	14.77	3.4	2.90	206	132	13.95	3.4	3.00	242	113	11.88	3.3	3.30	266	102	10.79	3.2	3.50	GR59 GRF59	4P	358	74	4.00	1.0	1.05	GRX89 GRXF89	4P			88	309	16.22			1.9	0.85			98					277	14.56	2.4	0.90	114	239	12.54			2.9	0.95	121	224	11.79	2.9	1.00	141	193	10.15	2.8	1.10	GR49 GRF49	4P	424	62	3.37	1.2	1.15	GRX79 GRXF79	4P			222	126	6.45			6.8	1.45			257							109	5.56			6.5	2.00			282					99	5.07			6.3	2.40	318	88	4.50			6.1	3.20	378	74	3.78	5.8	3.90	302	92	4.73	4.8	1.25	354	79	4.04	4.6	1.75	386	72	3.70	4.5	2.00	440	63	3.25	4.3	2.70	464	60	3.08	4.3	3.10	GRX69 GRXF69	4P	379	74	3.77	3.0	1.15	447	63			3.20	2.9	1.55			495	56	2.89	2.8	1.80	563	50		2.54	2.7		2.30																																																																																																																																																																																														
143	190	10.00	6.7	2.30	53	513	26.97	4.1	0.80	GR59 GRF59	4P	284	93	10.11	2.2	1.65	GR39 GRF39	2P			65	417	21.93	4.2	1.00					77	354	18.60	4.1	1.20					85	320	16.79	4.0	1.30			97	281	14.77	4.0	1.45	GR59 GRF59	4P	303	87	9.47	2.3	1.70	GR29 GRF29	4P			103	266	13.95	3.9	1.50					120	226	11.88	3.8	1.65					133	205	10.79	3.7	1.75					153	178	9.35			3.6	1.95			158					172	9.06	3.6	2.00	179					152	7.97	3.5	2.20	190			143	7.53	3.5	2.30	223	122	6.41	3.3	2.60	246	111	5.82	3.3	2.70			283	96	5.05	3.1	3.00			GR59 GRF59	2P	335	79	4.27	0.9	1.00	GR29 GRF29	2P			326	84	4.39	3.0	3.10					131	208	21.93	3.8	2.00					154	176	18.60	3.6	2.40					171	159	16.79			3.5	2.60			194	140	14.77			3.4	2.90	206	132	13.95	3.4	3.00	242	113	11.88	3.3	3.30	266	102	10.79	3.2	3.50	GR59 GRF59	4P	358	74	4.00	1.0	1.05	GRX89 GRXF89	4P			88	309	16.22	1.9	0.85					98	277	14.56			2.4	0.90			114			239	12.54	2.9	0.95	121	224	11.79	2.9	1.00	141	193	10.15	2.8	1.10	GR49 GRF49	4P	424	62	3.37	1.2	1.15	GRX79 GRXF79	4P			222	126	6.45	6.8	1.45					257	109	5.56			6.5	2.00			282							99	5.07			6.3	2.40			318					88	4.50			6.1	3.20	378	74	3.78			5.8	3.90	302	92	4.73	4.8	1.25	354	79	4.04	4.6	1.75	386	72	3.70	4.5	2.00	440	63	3.25	4.3	2.70	464	60	3.08	4.3	3.10	GRX69 GRXF69	4P	379	74	3.77			3.0	1.15	447	63	3.20	2.9	1.55			495	56	2.89			2.8	1.80	563	50	2.54	2.7	2.30																																																																																																																																																																																																			
53	513	26.97	4.1	0.80	GR59 GRF59	4P	284	93	10.11			2.2	1.65	GR39 GRF39	2P																																																																																																																																																																																																																																																																																																																																																																																																																																																																																																																																																																							
65	417	21.93	4.2	1.00			77	354	18.60			4.1	1.20			85					320	16.79	4.0	1.30	97			281	14.77	4.0	1.45	GR59 GRF59	4P	303	87	9.47	2.3	1.70	GR29 GRF29	4P	103	266	13.95	3.9	1.50	120	226	11.88	3.8	1.65			133	205	10.79	3.7	1.75					153	178	9.35	3.6	1.95					158	172	9.06	3.6	2.00					179	152	7.97	3.5	2.20					190	143	7.53			3.5	2.30			223					122	6.41	3.3	2.60	246					111	5.82	3.3	2.70	283			96	5.05	3.1	3.00	GR59 GRF59	2P	335	79	4.27	0.9	1.00	GR29 GRF29	2P	326	84	4.39	3.0	3.10	131	208	21.93	3.8	2.00			154	176	18.60	3.6	2.40					171	159	16.79	3.5	2.60					194	140	14.77	3.4	2.90					206	132	13.95	3.4	3.00			242	113	11.88	3.3	3.30	266	102	10.79	3.2	3.50	GR59 GRF59	4P	358	74	4.00	1.0	1.05	GRX89 GRXF89	4P	88	309	16.22	1.9	0.85	98	277	14.56	2.4	0.90	114	239	12.54	2.9			0.95	121	224	11.79	2.9					1.00	141	193	10.15	2.8			1.10	GR49 GRF49	4P	424	62	3.37	1.2	1.15	GRX79 GRXF79	4P	222	126	6.45	6.8	1.45	257	109	5.56	6.5	2.00	282	99	5.07	6.3	2.40	318	88	4.50			6.1	3.20	378	74	3.78					5.8	3.90	302	92	4.73					4.8	1.25	354			79	4.04			4.6							1.75	386	72	3.70	4.5	2.00			440			63	3.25	4.3	2.70	464	60	3.08	4.3	3.10	GRX69 GRXF69	4P	379	74	3.77	3.0	1.15	447	63	3.20	2.9	1.55	495	56	2.89	2.8	1.80	563	50	2.54	2.7	2.30																																																																																																																																																																																																																																								
77	354	18.60	4.1	1.20			85	320	16.79			4.0	1.30			97			281	14.77	4.0	1.45	GR59 GRF59	4P	303	87	9.47	2.3	1.70	GR29 GRF29	4P			103	266	13.95	3.9	1.50			120	226	11.88	3.8	1.65	133	205	10.79	3.7	1.75			153	178	9.35	3.6	1.95					158	172	9.06	3.6	2.00					179	152	7.97	3.5	2.20					190	143	7.53	3.5	2.30					223	122	6.41			3.3	2.60			246					111	5.82	3.3	2.70	283			96	5.05	3.1	3.00	GR59 GRF59	2P	335	79	4.27	0.9	1.00	GR29 GRF29	2P			326	84	4.39	3.0	3.10			131	208	21.93	3.8	2.00	154	176	18.60	3.6	2.40			171	159	16.79	3.5	2.60					194	140	14.77	3.4	2.90					206	132	13.95	3.4	3.00			242	113	11.88	3.3	3.30	266	102	10.79	3.2	3.50	GR59 GRF59	4P	358	74	4.00	1.0	1.05	GRX89 GRXF89	4P			88	309	16.22	1.9	0.85			98	277	14.56	2.4	0.90	114	239	12.54	2.9	0.95	121	224	11.79	2.9			1.00	141	193	10.15	2.8			1.10	GR49 GRF49	4P	424	62	3.37	1.2	1.15	GRX79 GRXF79	4P			222	126	6.45	6.8	1.45			257	109	5.56	6.5	2.00	282	99	5.07	6.3	2.40	318	88	4.50	6.1	3.20	378	74	3.78			5.8	3.90	302	92	4.73					4.8	1.25	354	79	4.04					4.6	1.75	386			72	3.70			4.5				2.00	440		63	3.25	4.3	2.70	464	60	3.08	4.3	3.10			GRX69 GRXF69	4P	379	74	3.77	3.0	1.15	447	63			3.20	2.9	1.55	495	56	2.89	2.8	1.80	563	50	2.54	2.7	2.30																																																																																																																																																																																																																																															
85	320	16.79	4.0	1.30			97	281	14.77	4.0	1.45	GR59 GRF59	4P			303	87	9.47	2.3	1.70	GR29 GRF29	4P			103	266	13.95	3.9	1.50					120	226	11.88	3.8	1.65			133	205	10.79	3.7	1.75	153	178	9.35	3.6	1.95			158	172	9.06	3.6	2.00					179	152	7.97	3.5	2.20					190	143	7.53	3.5	2.30					223	122	6.41	3.3	2.60					246	111	5.82			3.3	2.70			283			96	5.05	3.1	3.00	GR59 GRF59	2P	335	79	4.27	0.9	1.00	GR29 GRF29	2P			326	84	4.39	3.0	3.10					131	208	21.93	3.8	2.00			154	176	18.60	3.6	2.40	171	159	16.79	3.5	2.60			194	140	14.77	3.4	2.90					206	132	13.95	3.4	3.00	242	113			11.88	3.3	3.30	266	102	10.79	3.2	3.50	GR59 GRF59	4P	358	74	4.00	1.0	1.05	GRX89 GRXF89	4P			88	309	16.22	1.9	0.85					98	277	14.56	2.4	0.90			114	239	12.54	2.9	0.95	121	224	11.79	2.9	1.00	141	193	10.15	2.8	1.10	GR49 GRF49	4P	424	62	3.37	1.2	1.15	GRX79 GRXF79	4P			222	126	6.45	6.8	1.45					257	109	5.56	6.5	2.00			282	99	5.07	6.3	2.40	318	88	4.50	6.1	3.20	378	74	3.78	5.8	3.90	302	92	4.73			4.8	1.25	354	79	4.04					4.6	1.75	386	72	3.70					4.5	2.00	440			63	3.25			4.3			2.70	464	60	3.08	4.3	3.10	GRX69 GRXF69	4P	379	74	3.77	3.0	1.15	447	63			3.20	2.9	1.55	495	56	2.89	2.8			1.80	563	50	2.54	2.7	2.30																																																																																																																																																																																																																																																						
97	281	14.77	4.0	1.45	GR59 GRF59	4P	303	87	9.47	2.3	1.70			GR29 GRF29	4P																																																																																																																																																																																																																																																																																																																																																																																																																																																																																																																																																																							
103	266	13.95	3.9	1.50			120	226	11.88	3.8	1.65					133	205	10.79	3.7	1.75					153	178	9.35	3.6	1.95					158	172	9.06	3.6	2.00			179	152	7.97	3.5	2.20	190	143	7.53	3.5	2.30			223	122	6.41	3.3	2.60					246	111	5.82	3.3	2.70					283	96	5.05	3.1	3.00					GR59 GRF59	2P	335	79	4.27			0.9	1.00	GR29 GRF29	2P	326	84	4.39	3.0	3.10	131	208	21.93	3.8	2.00	154	176	18.60	3.6			2.40	171	159	16.79	3.5					2.60	194	140	14.77	3.4					2.90	206	132	13.95	3.4			3.00	242	113	11.88	3.3	3.30	266	102	10.79	3.2	3.50	GR59 GRF59	4P	358	74	4.00	1.0	1.05	GRX89 GRXF89	4P	88	309	16.22	1.9	0.85	98	277	14.56	2.4	0.90	114	239	12.54	2.9	0.95	121	224	11.79			2.9	1.00	141	193	10.15					2.8	1.10	GR49 GRF49	4P	424			62	3.37	1.2	1.15	GRX79 GRXF79	4P	222	126	6.45	6.8	1.45	257	109	5.56	6.5	2.00	282	99	5.07	6.3	2.40	318	88	4.50			6.1	3.20	378	74	3.78					5.8	3.90	302	92	4.73					4.8	1.25	354	79	4.04			4.6	1.75	386	72	3.70	4.5	2.00	440	63	3.25	4.3	2.70	464	60	3.08	4.3	3.10	GRX69 GRXF69			4P	379	74	3.77	3.0					1.15	447	63	3.20	2.9			1.55	495	56	2.89	2.8	1.80	563	50	2.54	2.7	2.30																																																																																																																																																																																																																																																																																									
120	226	11.88	3.8	1.65			133	205	10.79	3.7	1.75					153	178	9.35	3.6	1.95					158	172	9.06	3.6	2.00					179	152	7.97	3.5	2.20			190	143	7.53	3.5	2.30	223	122	6.41	3.3	2.60			246	111	5.82	3.3	2.70					283	96	5.05	3.1	3.00					GR59 GRF59	2P	335	79	4.27			0.9	1.00			GR29 GRF29	2P	326	84	4.39	3.0	3.10			131	208	21.93	3.8	2.00	154	176	18.60	3.6	2.40	171	159	16.79	3.5			2.60	194	140	14.77	3.4					2.90	206	132	13.95	3.4					3.00	242	113	11.88	3.3			3.30	266	102	10.79	3.2	3.50	GR59 GRF59	4P	358	74	4.00			1.0	1.05	GRX89 GRXF89	4P	88			309	16.22	1.9	0.85	98	277	14.56	2.4	0.90	114	239	12.54	2.9	0.95	121	224	11.79	2.9			1.00	141	193	10.15	2.8			1.10	GR49 GRF49	4P	424			62	3.37	1.2	1.15	GRX79 GRXF79	4P	222			126	6.45	6.8	1.45	257	109	5.56	6.5	2.00	282	99	5.07	6.3	2.40	318	88	4.50	6.1			3.20	378	74	3.78	5.8					3.90	302	92	4.73	4.8					1.25	354	79	4.04	4.6			1.75	386	72	3.70	4.5	2.00	440	63	3.25	4.3	2.70	464	60	3.08	4.3	3.10	GRX69 GRXF69					4P	379	74	3.77			3.0	1.15	447	63	3.20	2.9	1.55	495	56	2.89	2.8	1.80	563	50	2.54	2.7	2.30																																																																																																																																																																																																																																																																																												
133	205	10.79	3.7	1.75			153	178	9.35	3.6	1.95					158	172	9.06	3.6	2.00					179	152	7.97	3.5	2.20					190	143	7.53	3.5	2.30			223	122	6.41	3.3	2.60	246	111	5.82	3.3	2.70			283	96	5.05	3.1	3.00					GR59 GRF59	2P	335	79	4.27			0.9	1.00			GR29 GRF29	2P	326	84	4.39	3.0	3.10					131	208	21.93	3.8	2.00			154	176	18.60	3.6	2.40	171	159	16.79	3.5	2.60	194	140	14.77	3.4			2.90	206	132	13.95	3.4					3.00	242	113	11.88	3.3			3.30	266	102	10.79	3.2	3.50	GR59 GRF59	4P	358	74	4.00	1.0	1.05	GRX89 GRXF89	4P			88	309	16.22			1.9	0.85			98			277	14.56	2.4	0.90	114	239	12.54	2.9	0.95	121	224	11.79	2.9	1.00	141	193	10.15	2.8	1.10	GR49 GRF49	4P	424	62	3.37	1.2	1.15	GRX79 GRXF79	4P			222			126	6.45	6.8	1.45			257			109	5.56	6.5	2.00	282	99	5.07	6.3	2.40	318	88	4.50	6.1	3.20	378	74	3.78	5.8			3.90	302	92	4.73	4.8					1.25	354	79	4.04	4.6					1.75	386	72	3.70	4.5			2.00	440	63	3.25	4.3	2.70	464	60	3.08	4.3	3.10	GRX69 GRXF69	4P	379	74	3.77			3.0	1.15			447	63	3.20	2.9	1.55	495	56	2.89	2.8	1.80	563	50	2.54	2.7	2.30																																																																																																																																																																																																																																																																																																			
153	178	9.35	3.6	1.95			158	172	9.06	3.6	2.00					179	152	7.97	3.5	2.20					190	143	7.53	3.5	2.30					223	122	6.41	3.3	2.60			246	111	5.82	3.3	2.70	283	96	5.05	3.1	3.00			GR59 GRF59	2P	335	79	4.27			0.9	1.00			GR29 GRF29	2P	326	84	4.39	3.0	3.10					131	208	21.93	3.8	2.00					154	176	18.60	3.6	2.40			171	159	16.79	3.5	2.60	194	140	14.77	3.4	2.90	206	132	13.95	3.4			3.00	242	113	11.88	3.3			3.30	266	102	10.79	3.2	3.50	GR59 GRF59	4P	358	74	4.00	1.0	1.05	GRX89 GRXF89	4P			88	309	16.22	1.9	0.85					98	277	14.56			2.4	0.90			114			239	12.54	2.9	0.95	121	224	11.79	2.9	1.00	141	193	10.15	2.8	1.10	GR49 GRF49	4P	424	62	3.37			1.2	1.15	GRX79 GRXF79	4P	222					126			6.45	6.8	1.45	257			109			5.56	6.5	2.00	282	99	5.07	6.3	2.40	318	88	4.50	6.1	3.20	378	74	3.78	5.8	3.90			302	92	4.73	4.8	1.25					354	79	4.04	4.6	1.75					386	72	3.70	4.5	2.00			440	63	3.25	4.3	2.70	464	60	3.08	4.3	3.10	GRX69 GRXF69			4P	379	74			3.77	3.0			1.15	447	63	3.20	2.9	1.55	495	56	2.89	2.8	1.80	563	50	2.54	2.7	2.30																																																																																																																																																																																																																																																																																																		
158	172	9.06	3.6	2.00			179	152	7.97	3.5	2.20					190	143	7.53	3.5	2.30					223	122	6.41	3.3	2.60					246	111	5.82	3.3	2.70			283	96	5.05	3.1	3.00	GR59 GRF59	2P	335	79	4.27	0.9	1.00			GR29 GRF29	2P	326	84	4.39	3.0	3.10					131	208	21.93	3.8	2.00					154	176	18.60	3.6	2.40					171	159	16.79	3.5	2.60			194	140	14.77	3.4	2.90	206	132	13.95	3.4	3.00	242	113	11.88	3.3	3.30	266	102	10.79	3.2	3.50	GR59 GRF59	4P	358	74	4.00	1.0	1.05	GRX89 GRXF89	4P			88	309	16.22	1.9	0.85					98	277	14.56	2.4	0.90					114	239	12.54	2.9	0.95	121	224			11.79	2.9	1.00	141	193	10.15	2.8	1.10	GR49 GRF49	4P	424	62	3.37	1.2	1.15	GRX79 GRXF79	4P			222	126	6.45			6.8	1.45			257					109			5.56	6.5	2.00	282			99			5.07	6.3	2.40	318	88	4.50	6.1	3.20	378	74	3.78	5.8	3.90	302	92	4.73	4.8	1.25			354	79	4.04	4.6	1.75					386	72	3.70	4.5	2.00			440	63	3.25	4.3	2.70	464	60	3.08	4.3	3.10	GRX69 GRXF69	4P	379	74	3.77	3.0	1.15	447	63					3.20	2.9		1.55	495	56	2.89		2.8	1.80	563	50	2.54	2.7	2.30																																																																																																																																																																																																																																																																																																											
179	152	7.97	3.5	2.20			190	143	7.53	3.5	2.30					223	122	6.41	3.3	2.60					246	111	5.82	3.3	2.70					283	96	5.05	3.1	3.00			GR59 GRF59	2P	335	79	4.27			0.9	1.00	GR29 GRF29	2P	326					84	4.39	3.0	3.10	131					208	21.93	3.8	2.00	154					176	18.60	3.6	2.40	171					159	16.79	3.5	2.60	194			140	14.77	3.4	2.90	206	132	13.95	3.4	3.00	242	113	11.88	3.3	3.30	266	102	10.79	3.2	3.50	GR59 GRF59			4P	358	74	4.00	1.0					1.05	GRX89 GRXF89	4P	88	309					16.22	1.9	0.85	98	277			14.56	2.4	0.90	114	239	12.54	2.9	0.95	121	224	11.79	2.9	1.00	141	193	10.15	2.8	1.10	GR49 GRF49			4P	424	62	3.37	1.2					1.15	GRX79 GRXF79	4P			222	126			6.45					6.8			1.45	257	109	5.56			6.5			2.00	282	99	5.07	6.3	2.40	318	88	4.50	6.1	3.20	378	74	3.78	5.8	3.90	302	92			4.73	4.8	1.25	354	79			4.04	4.6	1.75	386	72	3.70	4.5	2.00	440	63	3.25	4.3	2.70	464	60	3.08	4.3	3.10	GRX69 GRXF69			4P	379	74	3.77	3.0	1.15	447					63	3.20	2.9	1.55	495	56	2.89	2.8	1.80	563	50	2.54	2.7	2.30																																																																																																																																																																																																																																																																																																												
190	143	7.53	3.5	2.30			223	122	6.41	3.3	2.60					246	111	5.82	3.3	2.70					283	96	5.05	3.1	3.00			GR59 GRF59	2P	335	79	4.27	0.9	1.00	GR29 GRF29	2P			326	84	4.39			3.0	3.10			131					208	21.93	3.8	2.00	154					176	18.60	3.6	2.40	171					159	16.79	3.5	2.60	194	140	14.77			3.4	2.90	206	132	13.95	3.4	3.00	242	113	11.88	3.3	3.30	266	102	10.79	3.2	3.50	GR59 GRF59	4P	358	74	4.00	1.0	1.05	GRX89 GRXF89	4P					88	309	16.22	1.9					0.85			98	277			14.56	2.4	0.90	114	239	12.54	2.9	0.95	121	224	11.79	2.9	1.00	141	193	10.15	2.8	1.10	GR49 GRF49	4P	424	62	3.37	1.2	1.15	GRX79 GRXF79	4P					222	126	6.45	6.8					1.45					257	109			5.56					6.5			2.00	282	99	5.07			6.3			2.40	318	88	4.50	6.1	3.20	378	74	3.78	5.8	3.90	302	92	4.73	4.8	1.25	354	79	4.04	4.6	1.75	386	72	3.70	4.5	2.00	440	63	3.25	4.3	2.70	464	60	3.08	4.3	3.10	GRX69 GRXF69	4P	379	74	3.77	3.0	1.15	447	63					3.20	2.9	1.55	495	56	2.89		2.8	1.80		563	50	2.54	2.7	2.30																																																																																																																																																																																																																																																																																																																					
223	122	6.41	3.3	2.60			246	111	5.82	3.3	2.70					283	96	5.05	3.1	3.00			GR59 GRF59	2P	335	79	4.27	0.9	1.00	GR29 GRF29	2P			326	84	4.39	3.0	3.10					131	208	21.93			3.8	2.00			154					176	18.60	3.6	2.40	171					159	16.79	3.5	2.60	194	140	14.77			3.4	2.90	206	132	13.95	3.4	3.00	242	113	11.88	3.3	3.30	266	102	10.79	3.2	3.50	GR59 GRF59	4P	358	74	4.00	1.0	1.05	GRX89 GRXF89	4P			88	309	16.22	1.9	0.85							98	277	14.56	2.4			0.90	114	239			12.54	2.9	0.95	121	224	11.79	2.9	1.00	141	193	10.15	2.8	1.10	GR49 GRF49	4P	424	62	3.37	1.2	1.15	GRX79 GRXF79	4P			222	126	6.45	6.8	1.45							257	109	5.56	6.5					2.00					282	99			5.07					6.3			2.40	318	88	4.50			6.1			3.20	378	74	3.78	5.8	3.90	302	92	4.73	4.8	1.25	354	79	4.04	4.6	1.75	386	72	3.70	4.5	2.00	440	63	3.25	4.3	2.70	464	60	3.08	4.3	3.10	GRX69 GRXF69	4P	379	74	3.77			3.0	1.15	447	63	3.20	2.9	1.55					495	56	2.89	2.8	1.80	563	50	2.54	2.7	2.30																																																																																																																																																																																																																																																																																																																										
246	111	5.82	3.3	2.70			283	96	5.05	3.1	3.00	GR59 GRF59	2P			335	79	4.27	0.9	1.00	GR29 GRF29	2P			326	84	4.39	3.0	3.10					131	208	21.93	3.8	2.00					154	176	18.60			3.6	2.40			171					159	16.79	3.5	2.60	194	140	14.77			3.4	2.90	206	132	13.95	3.4	3.00	242	113	11.88	3.3	3.30	266	102	10.79	3.2	3.50	GR59 GRF59	4P	358	74	4.00	1.0	1.05	GRX89 GRXF89	4P			88	309	16.22	1.9	0.85					98	277	14.56	2.4	0.90				114	239		12.54	2.9	0.95	121	224	11.79	2.9	1.00	141			193	10.15	2.8	1.10	GR49 GRF49	4P	424	62	3.37	1.2	1.15	GRX79 GRXF79	4P			222	126	6.45	6.8	1.45					257	109	5.56	6.5	2.00							282	99	5.07	6.3					2.40					318	88			4.50					6.1	3.20	378	74	3.78	5.8	3.90			302	92	4.73	4.8	1.25	354	79	4.04	4.6	1.75	386	72	3.70	4.5	2.00	440	63	3.25	4.3	2.70	464	60	3.08	4.3	3.10	GRX69 GRXF69	4P	379	74	3.77	3.0	1.15	447	63			3.20	2.9	1.55			495	56	2.89	2.8	1.80	563	50		2.54	2.7		2.30																																																																																																																																																																																																																																																																																																																																			
283	96	5.05	3.1	3.00	GR59 GRF59	2P	335	79	4.27	0.9	1.00			GR29 GRF29	2P																																																																																																																																																																																																																																																																																																																																																																																																																																																																																																																																																																							
326	84	4.39	3.0	3.10			131	208	21.93	3.8	2.00					154	176	18.60	3.6	2.40					171	159	16.79	3.5	2.60					194	140	14.77	3.4	2.90					206	132	13.95	3.4	3.00	242	113			11.88	3.3	3.30	266	102	10.79	3.2	3.50	GR59 GRF59	4P	358	74	4.00	1.0	1.05	GRX89 GRXF89	4P	88	309	16.22	1.9	0.85	98	277	14.56	2.4	0.90	114	239	12.54	2.9			0.95	121	224	11.79	2.9					1.00	141	193	10.15	2.8			1.10	GR49 GRF49	4P	424	62	3.37	1.2	1.15	GRX79 GRXF79	4P	222	126	6.45	6.8	1.45	257	109	5.56	6.5	2.00	282	99	5.07	6.3	2.40	318	88	4.50			6.1	3.20	378	74	3.78					5.8	3.90	302	92	4.73					4.8	1.25	354	79	4.04							4.6	1.75	386	72					3.70			4.5	2.00	440	63			3.25	4.3	2.70	464	60	3.08	4.3	3.10	GRX69 GRXF69	4P	379	74	3.77	3.0	1.15	447	63	3.20	2.9	1.55	495	56	2.89	2.8	1.80	563	50	2.54	2.7	2.30																																																																																																																																																																																																																																																																																																																																																																								
131	208	21.93	3.8	2.00			154	176	18.60	3.6	2.40					171	159	16.79	3.5	2.60					194	140	14.77	3.4	2.90					206	132	13.95	3.4	3.00			242	113	11.88	3.3	3.30	266	102	10.79	3.2	3.50	GR59 GRF59	4P	358	74	4.00	1.0	1.05	GRX89 GRXF89	4P			88	309	16.22	1.9	0.85			98	277	14.56	2.4	0.90	114	239	12.54	2.9	0.95	121	224	11.79	2.9			1.00	141	193	10.15	2.8			1.10	GR49 GRF49	4P	424	62	3.37	1.2	1.15	GRX79 GRXF79	4P			222	126	6.45	6.8	1.45			257	109	5.56	6.5	2.00	282	99	5.07	6.3	2.40	318	88	4.50	6.1	3.20	378	74	3.78			5.8	3.90	302	92	4.73					4.8	1.25	354	79	4.04					4.6	1.75	386	72	3.70							4.5	2.00	440	63			3.25	4.3	2.70			464	60	3.08	4.3	3.10	GRX69 GRXF69	4P	379	74	3.77	3.0	1.15	447	63			3.20	2.9	1.55	495	56	2.89	2.8	1.80	563	50	2.54	2.7	2.30																																																																																																																																																																																																																																																																																																																																																																															
154	176	18.60	3.6	2.40			171	159	16.79	3.5	2.60					194	140	14.77	3.4	2.90					206	132	13.95	3.4	3.00			242	113	11.88	3.3	3.30	266	102	10.79	3.2	3.50	GR59 GRF59	4P	358	74	4.00	1.0	1.05	GRX89 GRXF89	4P			88	309	16.22	1.9	0.85					98	277	14.56	2.4	0.90			114	239	12.54	2.9	0.95	121	224	11.79	2.9	1.00	141	193	10.15	2.8	1.10	GR49 GRF49	4P	424	62	3.37	1.2	1.15	GRX79 GRXF79	4P			222	126	6.45	6.8	1.45					257	109	5.56	6.5	2.00			282	99	5.07	6.3	2.40	318	88	4.50	6.1	3.20	378	74	3.78	5.8	3.90	302	92	4.73			4.8	1.25	354	79	4.04					4.6	1.75	386	72	3.70					4.5	2.00	440	63	3.25				4.3	2.70		464	60	3.08	4.3	3.10	GRX69 GRXF69	4P	379	74			3.77	3.0	1.15	447	63			3.20	2.9	1.55	495	56	2.89	2.8			1.80	563	50	2.54	2.7	2.30																																																																																																																																																																																																																																																																																																																																																																																						
171	159	16.79	3.5	2.60			194	140	14.77	3.4	2.90					206	132	13.95	3.4	3.00			242	113	11.88	3.3	3.30	266	102	10.79	3.2	3.50	GR59 GRF59	4P	358	74	4.00	1.0	1.05	GRX89 GRXF89	4P			88	309	16.22	1.9	0.85					98	277	14.56	2.4	0.90					114	239	12.54	2.9	0.95			121	224	11.79	2.9	1.00	141	193	10.15	2.8	1.10	GR49 GRF49	4P	424	62	3.37			1.2	1.15	GRX79 GRXF79	4P	222					126	6.45	6.8	1.45	257					109	5.56	6.5	2.00	282			99	5.07	6.3	2.40	318	88	4.50	6.1	3.20	378	74	3.78	5.8	3.90	302	92	4.73	4.8			1.25	354	79	4.04	4.6					1.75	386	72	3.70	4.5					2.00	440	63	3.25	4.3			2.70	464	60	3.08	4.3	3.10	GRX69 GRXF69	4P	379			74	3.77	3.0	1.15	447	63	3.20	2.9	1.55			495	56	2.89	2.8	1.80	563	50			2.54	2.7	2.30																																																																																																																																																																																																																																																																																																																																																																																									
194	140	14.77	3.4	2.90			206	132	13.95	3.4	3.00	242	113			11.88	3.3	3.30	266	102	10.79	3.2	3.50	GR59 GRF59	4P	358	74	4.00	1.0	1.05	GRX89 GRXF89	4P			88	309	16.22	1.9	0.85					98	277	14.56	2.4	0.90					114	239	12.54	2.9	0.95			121	224	11.79	2.9	1.00	141	193	10.15	2.8	1.10	GR49 GRF49	4P	424	62	3.37	1.2	1.15	GRX79 GRXF79	4P			222	126	6.45			6.8	1.45			257					109	5.56	6.5	2.00	282					99	5.07	6.3	2.40	318			88	4.50	6.1	3.20	378	74	3.78	5.8	3.90	302	92	4.73	4.8	1.25	354	79	4.04	4.6			1.75	386	72	3.70	4.5					2.00	440	63	3.25	4.3			2.70	464	60	3.08	4.3	3.10	GRX69 GRXF69	4P	379	74	3.77	3.0	1.15	447	63			3.20			2.9	1.55	495	56	2.89	2.8	1.80	563	50			2.54	2.7	2.30																																																																																																																																																																																																																																																																																																																																																																																																		
206	132	13.95	3.4	3.00	242	113	11.88	3.3	3.30	266	102	10.79	3.2	3.50	GR59 GRF59	4P	358	74	4.00	1.0	1.05	GRX89 GRXF89	4P			88	309	16.22	1.9	0.85					98	277	14.56	2.4	0.90					114	239	12.54	2.9	0.95			121	224	11.79	2.9	1.00	141	193	10.15	2.8	1.10	GR49 GRF49	4P	424	62	3.37	1.2	1.15	GRX79 GRXF79	4P			222	126	6.45	6.8	1.45					257	109	5.56			6.5	2.00			282					99	5.07	6.3	2.40	318					88	4.50	6.1	3.20	378			74	3.78	5.8	3.90	302	92	4.73	4.8	1.25	354	79	4.04	4.6	1.75	386	72	3.70	4.5			2.00	440	63	3.25	4.3			2.70	464	60	3.08	4.3	3.10	GRX69 GRXF69	4P	379	74	3.77	3.0	1.15	447	63			3.20	2.9	1.55	495	56	2.89	2.8			1.80			563	50	2.54	2.7	2.30																																																																																																																																																																																																																																																																																																																																																																																																											
242	113	11.88	3.3	3.30	266	102	10.79	3.2	3.50	GR59 GRF59	4P	358	74	4.00			1.0	1.05	GRX89 GRXF89	4P	88					309	16.22	1.9	0.85	98					277	14.56	2.4	0.90	114			239	12.54	2.9	0.95	121	224	11.79	2.9	1.00	141	193	10.15	2.8	1.10	GR49 GRF49	4P	424	62	3.37			1.2	1.15	GRX79 GRXF79	4P	222					126	6.45	6.8	1.45	257					109	5.56	6.5			2.00	282			99					5.07	6.3	2.40	318	88					4.50	6.1	3.20	378	74			3.78	5.8	3.90	302	92	4.73	4.8	1.25	354	79	4.04	4.6	1.75	386	72	3.70	4.5	2.00	440	63	3.25	4.3	2.70	464	60	3.08	4.3	3.10	GRX69 GRXF69	4P	379	74	3.77			3.0	1.15	447	63	3.20	2.9	1.55			495	56	2.89	2.8	1.80	563	50			2.54	2.7	2.30																																																																																																																																																																																																																																																																																																																																																																																																																
266	102	10.79	3.2	3.50	GR59 GRF59	4P	358	74	4.00			1.0	1.05	GRX89 GRXF89			4P																																																																																																																																																																																																																																																																																																																																																																																																																																																																																																																																																																					
88	309	16.22	1.9	0.85			98	277	14.56			2.4	0.90					114			239			12.54	2.9	0.95	121	224	11.79	2.9	1.00	141	193	10.15	2.8	1.10	GR49 GRF49	4P	424	62	3.37	1.2	1.15	GRX79 GRXF79	4P	222	126	6.45	6.8	1.45	257	109	5.56	6.5	2.00			282	99	5.07			6.3	2.40			318					88	4.50	6.1	3.20	378					74	3.78	5.8			3.90	302			92					4.73	4.8	1.25	354	79			4.04	4.6	1.75	386	72	3.70	4.5	2.00	440	63	3.25	4.3	2.70	464	60	3.08	4.3	3.10	GRX69 GRXF69	4P	379	74	3.77	3.0	1.15	447	63	3.20	2.9	1.55	495	56	2.89	2.8	1.80	563	50			2.54	2.7	2.30																																																																																																																																																																																																																																																																																																																																																																																																																																							
98	277	14.56	2.4	0.90			114	239	12.54			2.9	0.95		121	224		11.79			2.9	1.00	141	193	10.15	2.8	1.10	GR49 GRF49	4P	424	62	3.37	1.2	1.15	GRX79 GRXF79	4P			222	126	6.45	6.8	1.45			257	109	5.56	6.5	2.00	282	99	5.07	6.3	2.40			318	88	4.50			6.1	3.20			378					74	3.78	5.8	3.90	302					92	4.73	4.8			1.25	354			79			4.04	4.6	1.75	386	72	3.70	4.5	2.00	440	63	3.25	4.3	2.70	464	60	3.08	4.3	3.10	GRX69 GRXF69	4P	379	74	3.77	3.0	1.15	447	63			3.20	2.9	1.55	495	56	2.89	2.8	1.80	563	50	2.54	2.7	2.30																																																																																																																																																																																																																																																																																																																																																																																																																																																
114	239	12.54	2.9	0.95			121	224	11.79	2.9	1.00	141	193		10.15	2.8		1.10	GR49 GRF49	4P	424	62	3.37	1.2	1.15	GRX79 GRXF79	4P			222	126	6.45	6.8	1.45					257	109	5.56	6.5	2.00			282	99	5.07	6.3	2.40	318	88	4.50	6.1	3.20			378	74	3.78			5.8	3.90			302					92	4.73	4.8	1.25	354					79	4.04	4.6	1.75	386	72	3.70			4.5	2.00	440	63	3.25	4.3	2.70	464	60	3.08	4.3	3.10	GRX69 GRXF69	4P	379	74	3.77	3.0	1.15	447	63			3.20	2.9	1.55	495	56	2.89	2.8			1.80	563	50	2.54	2.7	2.30																																																																																																																																																																																																																																																																																																																																																																																																																																																							
121	224	11.79	2.9	1.00	141	193	10.15	2.8	1.10	GR49 GRF49	4P	424	62	3.37	1.2	1.15	GRX79 GRXF79	4P			222	126	6.45	6.8	1.45					257	109	5.56	6.5	2.00					282	99	5.07	6.3	2.40			318	88	4.50	6.1	3.20	378	74	3.78	5.8	3.90			302	92	4.73			4.8	1.25			354					79	4.04	4.6	1.75	386			72	3.70	4.5	2.00	440	63	3.25	4.3	2.70	464	60	3.08	4.3	3.10	GRX69 GRXF69	4P	379	74	3.77	3.0	1.15	447	63			3.20	2.9	1.55	495	56	2.89	2.8			1.80	563	50	2.54	2.7	2.30																																																																																																																																																																																																																																																																																																																																																																																																																																																																
141	193	10.15	2.8	1.10	GR49 GRF49	4P	424	62	3.37			1.2	1.15	GRX79 GRXF79	4P																																																																																																																																																																																																																																																																																																																																																																																																																																																																																																																																																																							
222	126	6.45	6.8	1.45			257	109	5.56			6.5	2.00			282					99	5.07	6.3	2.40	318					88	4.50	6.1	3.20	378					74	3.78	5.8	3.90	302			92	4.73	4.8	1.25	354	79	4.04	4.6	1.75	386			72	3.70	4.5	2.00	440	63	3.25			4.3	2.70	464	60	3.08	4.3	3.10	GRX69 GRXF69	4P	379	74	3.77	3.0	1.15	447	63	3.20	2.9	1.55	495	56	2.89	2.8	1.80	563	50			2.54	2.7	2.30																																																																																																																																																																																																																																																																																																																																																																																																																																																																																					
257	109	5.56	6.5	2.00			282	99	5.07			6.3	2.40			318					88	4.50	6.1	3.20	378					74	3.78	5.8	3.90	302					92	4.73	4.8	1.25	354			79	4.04	4.6	1.75	386	72	3.70	4.5	2.00	440	63	3.25	4.3	2.70	464	60	3.08	4.3	3.10	GRX69 GRXF69	4P	379	74	3.77	3.0	1.15	447	63			3.20	2.9	1.55	495	56	2.89	2.8	1.80	563	50	2.54	2.7	2.30																																																																																																																																																																																																																																																																																																																																																																																																																																																																																														
282	99	5.07	6.3	2.40			318	88	4.50			6.1	3.20			378					74	3.78	5.8	3.90	302					92	4.73	4.8	1.25	354					79	4.04	4.6	1.75	386			72	3.70	4.5	2.00	440	63	3.25	4.3	2.70	464	60	3.08	4.3	3.10	GRX69 GRXF69	4P	379	74	3.77			3.0	1.15	447	63	3.20	2.9	1.55			495	56	2.89	2.8	1.80	563	50	2.54	2.7	2.30																																																																																																																																																																																																																																																																																																																																																																																																																																																																																																	
318	88	4.50	6.1	3.20			378	74	3.78			5.8	3.90			302					92	4.73	4.8	1.25	354					79	4.04	4.6	1.75	386			72	3.70	4.5	2.00	440	63	3.25	4.3	2.70	464	60	3.08	4.3	3.10	GRX69 GRXF69	4P	379	74	3.77	3.0	1.15	447	63			3.20	2.9	1.55			495	56	2.89	2.8	1.80	563	50			2.54	2.7	2.30																																																																																																																																																																																																																																																																																																																																																																																																																																																																																																								
378	74	3.78	5.8	3.90			302	92	4.73			4.8	1.25			354					79	4.04	4.6	1.75	386			72	3.70	4.5	2.00	440	63	3.25	4.3	2.70	464	60	3.08	4.3	3.10	GRX69 GRXF69	4P	379	74	3.77	3.0	1.15	447	63			3.20	2.9	1.55	495	56	2.89	2.8			1.80	563	50			2.54	2.7	2.30																																																																																																																																																																																																																																																																																																																																																																																																																																																																																																																	
302	92	4.73	4.8	1.25			354	79	4.04			4.6	1.75			386			72	3.70	4.5	2.00	440	63	3.25	4.3	2.70	464	60	3.08	4.3	3.10	GRX69 GRXF69	4P	379	74	3.77	3.0	1.15	447	63			3.20	2.9	1.55	495	56	2.89	2.8			1.80	563	50	2.54	2.7	2.30																																																																																																																																																																																																																																																																																																																																																																																																																																																																																																																												
354	79	4.04	4.6	1.75			386	72	3.70	4.5	2.00	440	63			3.25	4.3	2.70	464	60	3.08	4.3	3.10	GRX69 GRXF69	4P	379	74	3.77	3.0	1.15	447	63			3.20	2.9	1.55	495	56	2.89	2.8			1.80	563	50	2.54	2.7	2.30																																																																																																																																																																																																																																																																																																																																																																																																																																																																																																																																					
386	72	3.70	4.5	2.00	440	63	3.25	4.3	2.70	464	60	3.08	4.3	3.10	GRX69 GRXF69	4P	379	74	3.77	3.0	1.15	447	63			3.20	2.9	1.55	495	56	2.89	2.8			1.80	563	50	2.54	2.7	2.30																																																																																																																																																																																																																																																																																																																																																																																																																																																																																																																																														
440	63	3.25	4.3	2.70	464	60	3.08	4.3	3.10	GRX69 GRXF69	4P	379	74	3.77			3.0	1.15	447	63	3.20	2.9	1.55			495	56	2.89	2.8	1.80	563	50			2.54	2.7	2.30																																																																																																																																																																																																																																																																																																																																																																																																																																																																																																																																																	
464	60	3.08	4.3	3.10	GRX69 GRXF69	4P																																																																																																																																																																																																																																																																																																																																																																																																																																																																																																																																																																																
379	74	3.77	3.0	1.15			447	63	3.20			2.9	1.55	495			56	2.89	2.8	1.80	563	50	2.54	2.7	2.30																																																																																																																																																																																																																																																																																																																																																																																																																																																																																																																																																													
447	63	3.20	2.9	1.55			495	56	2.89			2.8	1.80	563	50	2.54	2.7	2.30																																																																																																																																																																																																																																																																																																																																																																																																																																																																																																																																																																				
495	56	2.89	2.8	1.80			563	50	2.54	2.7	2.30																																																																																																																																																																																																																																																																																																																																																																																																																																																																																																																																																																											
563	50	2.54	2.7	2.30																																																																																																																																																																																																																																																																																																																																																																																																																																																																																																																																																																																		

选型参数表

(恒功率) 3kW-4kW

Selection Table

(Constant Power) 3kW-4kW

n_a [r/min]	M_a [Nm]	i	F_{Ra} [kN]	f_B	机型号 Type size	极数 Pole	n_a [r/min]	M_a [Nm]	i	F_{Ra} [kN]	f_B	机型号 Type size	极数 Pole	
3kW							4kW							
596	47	2.40	2.7	2.50	GRX69 GRXF69	4P	3.8	9002	376	43	0.90	GR139R79	4P	
701	40	2.04	2.6	3.20			4.2	8116	339	49	0.95	GRF139R79		
769	36	1.86	2.5	3.30			4.8	7111	297	52	1.10			
888	31	1.61	2.4	3.50			7.7	4477	187	26	0.95	GR109R79	4P	
1021	27	1.40	2.3	3.60			7.5	4621	193	20	0.95	GRF109R79		
455	61	3.14	2.2	1.00	GRX59 GRXF59	4P	8.4	4118	172	28	1.05	GR109R79	4P	
542	52	2.64	2.1	1.30			4.4	8231	163.31	66	1.50	GR149		8P
603	46	2.37	2.1	1.40			4.9	7405	146.91	67	1.65	GRF149		
701	40	2.04	2.0	1.65			6.0	6041	119.86	68	2.00			
745	38	1.92	2.0	1.75			6.6	5510	109.31	69	2.20			
867	32	1.65	1.9	2.00			4.1	8790	174.40	46	0.85	GR139 GRF139	8P	
966	29	1.48	1.8	2.20			4.6	7878	156.31	50	0.95			
1135	25	1.26	1.8	2.40			5.1	7113	141.12	52	1.05			
					5.6	6461	128.18	53	1.20					
					6.3	5732	113.72	54	1.35					
					7.0	5202	103.20	55	1.45					
4kW														
0.85	43008	1691	128	0.85	GR179R109 GRF179R109	4P	4.3	8415	222.60	48	0.90	GR139 GRF139	6P	
0.96	38147	1499	128	0.95			5.1	7124	188.45	52	1.05			
1.06	34487	1355	128	1.05			5.5	6593	174.40	53	1.15			
1.28	30613	1129	128	1.20			6.1	5909	156.31	54	1.30			
1.35	27114	1066	128	1.35			6.8	5335	141.12	55	1.40			
1.50	24416	959	128	1.50			7.5	4845	128.18	55	1.55			
1.80	21664	799	128	1.70			8.4	4299	113.72	56	1.75			
1.87	19608	770	128	1.85			9.3	3901	103.20	56	1.95			
2.07	17711	696	128	2.05			11	3353	88.70	57	2.30			
2.44	15013	590	128	2.45			8.4	4343	172.34	26	0.95	GR109 GRF109	4P	
2.93	13330	492	128	2.75			9.1	3999	158.68	28	1.00			
1.00	37855	1435	128	0.95			10	3574	141.83	30	1.15			
1.21	32443	1189	128	1.15	11	3218	127.68	32	1.25					
1.25	30454	1154	128	1.20	12	2914	115.63	33	1.40					
1.50	26103	957	128	1.40	14	2584	102.53	34	1.55					
1.9	20957	768	128	1.75	16	2336	92.70	34	1.70					
2.0	18729	710	128	1.95	18	1980	78.57	33	2.00					
2.6	14192	563	128	2.60	20	1837	72.88	32	2.20					
3.0	12707	481	128	2.90	22	1653	65.60	32	2.40					
1.7	20613	861	114	0.85	24	1497	59.41	31	2.70					
1.9	18195	760	114	0.95	27	1328	52.68	30	3.00					
2.2	15706	656	114	1.15	12	2935	116.48	13	0.95	GR99 GRF99	4P			
2.9	12042	503	114	1.45	14	2607	103.44	21	1.10					
3.8	9026	377	114	2.00	16	2331	92.48	23	1.20					
4.3	8020	335	114	2.20	17	2095	83.15	24	1.35					
2.7	12761	533	59	1.00	20	1819	72.17	25	1.55					
3.1	11061	462	63	1.20	22	1643	65.21	25	1.70					
3.4	10199	426	64	1.25	24	1510	59.92	24	1.85					
3.9	8810	368	66	1.50	27	1341	53.21	23	2.10					
4.4	7805	326	67	1.70	30	1199	47.58	23	2.30					
5.1	6704	280	68	1.95	34	1078	42.78	22	2.60					
5.8	5914	247	69	2.20	39	936	37.13	21	3.00					
6.7	5123	214	69	2.50	43	838	33.25	21	3.20					
7.6	4525	189	70	2.95	45	808	32.05	21	3.00					
9.1	3807	159	70	3.35	53	685	27.19	20	3.50					
2.3	14820	619	44	0.90	58	631	25.03	19	4.20					
2.6	13359	558	58	1.00	64	564	22.37	19	4.50					
2.9	11707	489	61	1.15	71	508	20.14	18	4.80					
3.5	9936	415	64	1.30	23	1612	63.96	13	0.90					
3.8	9122	381	43	0.85	24	1527	60.61	13	0.95					
4.5	7733	323	51	1.05	27	1337	53.05	14	1.10					
4.9	6967	291	52	1.15	30	1204	47.79	15	1.20					
5.6	6105	255	54	1.30	34	1056	41.92	16	1.40					
6.5	5339	223	55	1.50										

选型参数表
(恒功率) 4W-5.5kW
Selection Table
(Constant Power) 4kW-5.5kW

n_a [r/min]	M_a [Nm]	i	F_{Ra} [kN]	f_B	机型号 Type size	极数 Pole	n_a [r/min]	M_a [Nm]	i	F_{Ra} [kN]	f_B	机型号 Type size	极数 Pole																																																																																																																																																																																																																																																																																																																																																																																																																																																																																																																																																																																																																																																																																																																					
4kW							4kW																																																																																																																																																																																																																																																																																																																																																																																																																																																																																																																																																																																																																																																																																																																											
39	932	37.00	17	1.55	GR89	4P	207	175	6.96	2.4	0.85	GR49 GRF49	4P																																																																																																																																																																																																																																																																																																																																																																																																																																																																																																																																																																																																																																																																																																																					
44	827	32.80	17	1.75	GRF89		51	706	28.00	16	2.00				42	871	34.55	17	1.60	GR89 GRF89	4P	240	151	6.00	2.3	0.95	46	795	31.53	17	1.85	255	142	5.64	2.3	1.00	52	705	27.96	16	2.10	297	122	4.85	2.2	1.15	61	592	23.51	15	2.50	332	109	4.34	2.2	1.25	67	544	21.60	15	2.60	389	93	3.70	2.1	1.40	75	483	19.18	14	2.80	178	204	16.22	2.5	1.25	84	432	17.15	14	3.00	198	183	14.56	2.5	1.35	93	389	15.42	14	3.20	230	157	12.54	2.4	1.50	108	337	13.38	13	3.60	245	148	11.79	2.4	1.55	120	302	11.98	13	3.80	285	127	10.15	2.3	1.70	39	928	36.83	3.9	0.85	319	114	9.07	2.3	1.80	43	843	33.47	8.6	0.90	373	97	7.75	2.1	1.55	50	731	29.00	10	1.05	415	87	6.96	2.1	1.70	57	636	25.23	10	1.15	482	75	6.00	2.0	1.95	62	589	23.37	10	1.30	512	71	5.64	2.0	2.10	67	540	21.43	10	1.40	596	61	4.85	1.9	2.30	77	474	18.80	10	1.55	666	54	4.34	1.9	2.50	81	449	17.82	9.5	1.65	781	46	3.70	1.8	2.80	92	393	15.60	9.1	1.75	259	144	5.56	6.3	1.50	102	354	14.05	8.9	1.90	284	131	5.07	6.1	1.85	117	311	12.33	8.6	2.10	320	116	4.50	5.9	2.40	132	274	10.88	8.3	2.30	381	98	3.78	5.7	3.00	149	243	9.64	8.1	2.40	356	105	4.04	4.4	1.30	168	216	8.59	7.9	2.70	389	96	3.70	4.3	1.55	186	195	7.74	7.7	2.90	443	84	3.25	4.2	2.10	212	171	6.79	7.4	3.20	468	80	3.08	4.1	2.30	240	151	5.99	7.1	3.30	533	70	2.70	4.0	3.00	271	134	5.31	6.9	3.60	593	63	2.43	3.9	3.30	72	501	19.89	7.6	1.10	676	55	2.13	3.7	3.50	80	452	17.95	7.4	1.20	766	49	1.88	3.6	3.70	91	398	15.79	7.2	1.30	862	43	1.67	3.5	3.90	97	376	14.91	7.1	1.35	1014	37	1.42	3.3	4.10	113	320	12.70	6.9	1.50	450	83	3.20	2.7	1.15	125	291	11.54	6.7	1.60	498	75	2.89	2.7	1.35	144	252	10.00	6.5	1.75	567	66	2.54	2.6	1.75	166	219	8.70	6.3	1.90	600	62	2.40	2.6	1.90	185	196	7.79	6.1	1.80	706	53	2.04	2.5	2.40	196	185	7.36	6.0	1.85	774	48	1.86	2.4	2.50	230	158	6.27	5.8	1.95	894	42	1.61	2.3	2.60	253	144	5.70	5.6	2.00	1029	36	1.40	2.2	2.80	292	124	4.93	5.4	2.20	545	68	2.64	1.6	0.95	336	108	4.29	5.2	2.30	608	61	2.37	1.7	1.10	77	469	18.60	3.3	0.90	706	53	2.04	1.8	1.25	86	423	16.79	3.6	1.00	750	50	1.92	1.8	1.35	97	372	14.77	3.6	1.10	873	43	1.65	1.8	1.55	103	352	13.95	3.6	1.15	973	38	1.48	1.7	1.70	121	299	11.88	3.5	1.25	1143	33	1.26	1.7	1.80	133	272	10.79	3.5	1.35	5.5kW							154	236	9.35	3.4	1.45	1.3	37166	1129	128	1.0	159	228	9.06	3.4	1.55	1.4	35092	1066	128	1.0	181	201	7.97	3.3	1.65	1.5	31570	959	128	1.2	191	190	7.53	3.3	1.75	1.8	26303	799	128	1.4	225	162	6.41	3.2	1.95	1.9	25348	770	128	1.4	247	147	5.82	3.1	2.00	2.1	22912	696	128	1.6	285	127	5.05	3.0	2.20	2.4	19422	590	128	1.9	328	111	4.39	2.9	2.40	2.9	16196	492	128	2.3	142	256	10.15	1.9	0.85	3.2	14814	450	128	2.5	159	229	9.07	2.2	0.90	3.6	13266	403	128	2.8	186	195	7.75	2.4	0.75	4.0	11983	364	128	3.1								GR49 GRF49														GR79 GRF79														GRX89 GRXF89														GRX79 GRXF79														GRX69 GRXF69														GRX59 GRXF59														GRF179R109 GRF179R109						
51	706	28.00	16	2.00			42	871	34.55	17	1.60			GR89 GRF89	4P	240	151	6.00	2.3			0.95	46	795	31.53	17	1.85	255	142	5.64	2.3	1.00	52	705	27.96	16	2.10	297	122	4.85	2.2	1.15	61	592	23.51	15	2.50	332	109	4.34	2.2	1.25	67	544	21.60	15	2.60	389	93	3.70	2.1	1.40	75	483	19.18	14	2.80	178	204	16.22	2.5	1.25	84	432	17.15	14	3.00	198	183	14.56	2.5	1.35	93	389	15.42	14	3.20	230	157	12.54	2.4	1.50	108	337	13.38	13	3.60	245	148	11.79	2.4	1.55	120	302	11.98	13	3.80	285	127	10.15	2.3	1.70	39	928	36.83	3.9	0.85	319	114	9.07	2.3	1.80	43	843	33.47	8.6	0.90	373	97	7.75	2.1	1.55	50	731	29.00	10	1.05	415	87	6.96	2.1	1.70	57	636	25.23	10	1.15	482	75	6.00	2.0	1.95	62	589	23.37	10	1.30	512	71	5.64	2.0	2.10	67	540	21.43	10	1.40	596	61	4.85	1.9	2.30	77	474	18.80	10	1.55	666	54	4.34	1.9	2.50	81	449	17.82	9.5	1.65	781	46	3.70	1.8	2.80	92	393	15.60	9.1	1.75	259	144	5.56	6.3	1.50	102	354	14.05	8.9	1.90	284	131	5.07	6.1	1.85	117	311	12.33	8.6	2.10	320	116	4.50	5.9	2.40	132	274	10.88	8.3	2.30	381	98	3.78	5.7	3.00	149	243	9.64	8.1	2.40	356	105	4.04	4.4	1.30	168	216	8.59	7.9	2.70	389	96	3.70	4.3	1.55	186	195	7.74	7.7	2.90	443	84	3.25	4.2	2.10	212	171	6.79	7.4	3.20	468	80	3.08	4.1	2.30	240	151	5.99	7.1	3.30	533	70	2.70	4.0	3.00	271	134	5.31	6.9	3.60	593	63	2.43	3.9	3.30	72	501	19.89	7.6	1.10	676	55	2.13	3.7	3.50	80	452	17.95	7.4	1.20	766	49	1.88	3.6	3.70	91	398	15.79	7.2	1.30	862	43	1.67	3.5	3.90	97	376	14.91	7.1	1.35	1014	37	1.42	3.3	4.10	113	320	12.70	6.9	1.50	450	83	3.20	2.7	1.15	125	291	11.54	6.7	1.60	498	75	2.89	2.7	1.35	144	252	10.00	6.5	1.75	567	66	2.54	2.6	1.75	166	219	8.70	6.3	1.90	600	62	2.40	2.6	1.90	185	196	7.79	6.1	1.80	706	53	2.04	2.5	2.40	196	185	7.36	6.0	1.85	774	48	1.86	2.4	2.50	230	158	6.27	5.8	1.95	894	42	1.61	2.3	2.60	253	144	5.70	5.6	2.00	1029	36	1.40	2.2	2.80	292	124	4.93	5.4	2.20	545	68	2.64	1.6	0.95	336	108	4.29	5.2	2.30	608	61	2.37	1.7	1.10	77	469	18.60	3.3	0.90	706	53	2.04	1.8	1.25	86	423	16.79	3.6	1.00	750	50	1.92	1.8	1.35	97	372	14.77	3.6	1.10	873	43	1.65	1.8	1.55	103	352	13.95	3.6	1.15	973	38	1.48	1.7	1.70	121	299	11.88	3.5	1.25	1143	33	1.26	1.7	1.80	133	272	10.79	3.5	1.35	5.5kW							154	236	9.35	3.4	1.45	1.3	37166	1129	128	1.0	159	228	9.06	3.4	1.55	1.4	35092	1066	128	1.0	181	201	7.97	3.3	1.65	1.5	31570	959	128	1.2	191	190	7.53	3.3	1.75	1.8	26303	799	128	1.4	225	162	6.41	3.2	1.95	1.9	25348	770	128	1.4	247	147	5.82	3.1	2.00	2.1	22912	696	128	1.6	285	127	5.05	3.0	2.20	2.4	19422	590	128	1.9	328	111	4.39	2.9	2.40	2.9	16196	492	128	2.3	142	256	10.15	1.9	0.85	3.2	14814	450	128	2.5	159	229	9.07	2.2	0.90	3.6	13266	403	128	2.8	186	195	7.75	2.4	0.75	4.0	11983	364	128	3.1								GR49 GRF49														GR79 GRF79														GRX89 GRXF89														GRX79 GRXF79														GRX69 GRXF69														GRX59 GRXF59														GRF179R109 GRF179R109										
42	871	34.55	17	1.60	GR89 GRF89	4P	240	151	6.00	2.3	0.95																																																																																																																																																																																																																																																																																																																																																																																																																																																																																																																																																																																																																																																																																																																							
46	795	31.53	17	1.85			255	142	5.64	2.3	1.00																																																																																																																																																																																																																																																																																																																																																																																																																																																																																																																																																																																																																																																																																																																							
52	705	27.96	16	2.10			297	122	4.85	2.2	1.15																																																																																																																																																																																																																																																																																																																																																																																																																																																																																																																																																																																																																																																																																																																							
61	592	23.51	15	2.50			332	109	4.34	2.2	1.25																																																																																																																																																																																																																																																																																																																																																																																																																																																																																																																																																																																																																																																																																																																							
67	544	21.60	15	2.60			389	93	3.70	2.1	1.40																																																																																																																																																																																																																																																																																																																																																																																																																																																																																																																																																																																																																																																																																																																							
75	483	19.18	14	2.80			178	204	16.22	2.5	1.25																																																																																																																																																																																																																																																																																																																																																																																																																																																																																																																																																																																																																																																																																																																							
84	432	17.15	14	3.00			198	183	14.56	2.5	1.35																																																																																																																																																																																																																																																																																																																																																																																																																																																																																																																																																																																																																																																																																																																							
93	389	15.42	14	3.20			230	157	12.54	2.4	1.50																																																																																																																																																																																																																																																																																																																																																																																																																																																																																																																																																																																																																																																																																																																							
108	337	13.38	13	3.60	245	148	11.79	2.4	1.55																																																																																																																																																																																																																																																																																																																																																																																																																																																																																																																																																																																																																																																																																																																									
120	302	11.98	13	3.80	285	127	10.15	2.3	1.70																																																																																																																																																																																																																																																																																																																																																																																																																																																																																																																																																																																																																																																																																																																									
39	928	36.83	3.9	0.85	319	114	9.07	2.3	1.80																																																																																																																																																																																																																																																																																																																																																																																																																																																																																																																																																																																																																																																																																																																									
43	843	33.47	8.6	0.90	373	97	7.75	2.1	1.55																																																																																																																																																																																																																																																																																																																																																																																																																																																																																																																																																																																																																																																																																																																									
50	731	29.00	10	1.05	415	87	6.96	2.1	1.70																																																																																																																																																																																																																																																																																																																																																																																																																																																																																																																																																																																																																																																																																																																									
57	636	25.23	10	1.15	482	75	6.00	2.0	1.95																																																																																																																																																																																																																																																																																																																																																																																																																																																																																																																																																																																																																																																																																																																									
62	589	23.37	10	1.30	512	71	5.64	2.0	2.10																																																																																																																																																																																																																																																																																																																																																																																																																																																																																																																																																																																																																																																																																																																									
67	540	21.43	10	1.40	596	61	4.85	1.9	2.30																																																																																																																																																																																																																																																																																																																																																																																																																																																																																																																																																																																																																																																																																																																									
77	474	18.80	10	1.55	666	54	4.34	1.9	2.50																																																																																																																																																																																																																																																																																																																																																																																																																																																																																																																																																																																																																																																																																																																									
81	449	17.82	9.5	1.65	781	46	3.70	1.8	2.80																																																																																																																																																																																																																																																																																																																																																																																																																																																																																																																																																																																																																																																																																																																									
92	393	15.60	9.1	1.75	259	144	5.56	6.3	1.50																																																																																																																																																																																																																																																																																																																																																																																																																																																																																																																																																																																																																																																																																																																									
102	354	14.05	8.9	1.90	284	131	5.07	6.1	1.85																																																																																																																																																																																																																																																																																																																																																																																																																																																																																																																																																																																																																																																																																																																									
117	311	12.33	8.6	2.10	320	116	4.50	5.9	2.40																																																																																																																																																																																																																																																																																																																																																																																																																																																																																																																																																																																																																																																																																																																									
132	274	10.88	8.3	2.30	381	98	3.78	5.7	3.00																																																																																																																																																																																																																																																																																																																																																																																																																																																																																																																																																																																																																																																																																																																									
149	243	9.64	8.1	2.40	356	105	4.04	4.4	1.30																																																																																																																																																																																																																																																																																																																																																																																																																																																																																																																																																																																																																																																																																																																									
168	216	8.59	7.9	2.70	389	96	3.70	4.3	1.55																																																																																																																																																																																																																																																																																																																																																																																																																																																																																																																																																																																																																																																																																																																									
186	195	7.74	7.7	2.90	443	84	3.25	4.2	2.10																																																																																																																																																																																																																																																																																																																																																																																																																																																																																																																																																																																																																																																																																																																									
212	171	6.79	7.4	3.20	468	80	3.08	4.1	2.30																																																																																																																																																																																																																																																																																																																																																																																																																																																																																																																																																																																																																																																																																																																									
240	151	5.99	7.1	3.30	533	70	2.70	4.0	3.00																																																																																																																																																																																																																																																																																																																																																																																																																																																																																																																																																																																																																																																																																																																									
271	134	5.31	6.9	3.60	593	63	2.43	3.9	3.30																																																																																																																																																																																																																																																																																																																																																																																																																																																																																																																																																																																																																																																																																																																									
72	501	19.89	7.6	1.10	676	55	2.13	3.7	3.50																																																																																																																																																																																																																																																																																																																																																																																																																																																																																																																																																																																																																																																																																																																									
80	452	17.95	7.4	1.20	766	49	1.88	3.6	3.70																																																																																																																																																																																																																																																																																																																																																																																																																																																																																																																																																																																																																																																																																																																									
91	398	15.79	7.2	1.30	862	43	1.67	3.5	3.90																																																																																																																																																																																																																																																																																																																																																																																																																																																																																																																																																																																																																																																																																																																									
97	376	14.91	7.1	1.35	1014	37	1.42	3.3	4.10																																																																																																																																																																																																																																																																																																																																																																																																																																																																																																																																																																																																																																																																																																																									
113	320	12.70	6.9	1.50	450	83	3.20	2.7	1.15																																																																																																																																																																																																																																																																																																																																																																																																																																																																																																																																																																																																																																																																																																																									
125	291	11.54	6.7	1.60	498	75	2.89	2.7	1.35																																																																																																																																																																																																																																																																																																																																																																																																																																																																																																																																																																																																																																																																																																																									
144	252	10.00	6.5	1.75	567	66	2.54	2.6	1.75																																																																																																																																																																																																																																																																																																																																																																																																																																																																																																																																																																																																																																																																																																																									
166	219	8.70	6.3	1.90	600	62	2.40	2.6	1.90																																																																																																																																																																																																																																																																																																																																																																																																																																																																																																																																																																																																																																																																																																																									
185	196	7.79	6.1	1.80	706	53	2.04	2.5	2.40																																																																																																																																																																																																																																																																																																																																																																																																																																																																																																																																																																																																																																																																																																																									
196	185	7.36	6.0	1.85	774	48	1.86	2.4	2.50																																																																																																																																																																																																																																																																																																																																																																																																																																																																																																																																																																																																																																																																																																																									
230	158	6.27	5.8	1.95	894	42	1.61	2.3	2.60																																																																																																																																																																																																																																																																																																																																																																																																																																																																																																																																																																																																																																																																																																																									
253	144	5.70	5.6	2.00	1029	36	1.40	2.2	2.80																																																																																																																																																																																																																																																																																																																																																																																																																																																																																																																																																																																																																																																																																																																									
292	124	4.93	5.4	2.20	545	68	2.64	1.6	0.95																																																																																																																																																																																																																																																																																																																																																																																																																																																																																																																																																																																																																																																																																																																									
336	108	4.29	5.2	2.30	608	61	2.37	1.7	1.10																																																																																																																																																																																																																																																																																																																																																																																																																																																																																																																																																																																																																																																																																																																									
77	469	18.60	3.3	0.90	706	53	2.04	1.8	1.25																																																																																																																																																																																																																																																																																																																																																																																																																																																																																																																																																																																																																																																																																																																									
86	423	16.79	3.6	1.00	750	50	1.92	1.8	1.35																																																																																																																																																																																																																																																																																																																																																																																																																																																																																																																																																																																																																																																																																																																									
97	372	14.77	3.6	1.10	873	43	1.65	1.8	1.55																																																																																																																																																																																																																																																																																																																																																																																																																																																																																																																																																																																																																																																																																																																									
103	352	13.95	3.6	1.15	973	38	1.48	1.7	1.70																																																																																																																																																																																																																																																																																																																																																																																																																																																																																																																																																																																																																																																																																																																									
121	299	11.88	3.5	1.25	1143	33	1.26	1.7	1.80																																																																																																																																																																																																																																																																																																																																																																																																																																																																																																																																																																																																																																																																																																																									
133	272	10.79	3.5	1.35	5.5kW																																																																																																																																																																																																																																																																																																																																																																																																																																																																																																																																																																																																																																																																																																																													
154	236	9.35	3.4	1.45	1.3	37166	1129	128	1.0																																																																																																																																																																																																																																																																																																																																																																																																																																																																																																																																																																																																																																																																																																																									
159	228	9.06	3.4	1.55	1.4	35092	1066	128	1.0																																																																																																																																																																																																																																																																																																																																																																																																																																																																																																																																																																																																																																																																																																																									
181	201	7.97	3.3	1.65	1.5	31570	959	128	1.2																																																																																																																																																																																																																																																																																																																																																																																																																																																																																																																																																																																																																																																																																																																									
191	190	7.53	3.3	1.75	1.8	26303	799	128	1.4																																																																																																																																																																																																																																																																																																																																																																																																																																																																																																																																																																																																																																																																																																																									
225	162	6.41	3.2	1.95	1.9	25348	770	128	1.4																																																																																																																																																																																																																																																																																																																																																																																																																																																																																																																																																																																																																																																																																																																									
247	147	5.82	3.1	2.00	2.1	22912	696	128	1.6																																																																																																																																																																																																																																																																																																																																																																																																																																																																																																																																																																																																																																																																																																																									
285	127	5.05	3.0	2.20	2.4	19422	590	128	1.9																																																																																																																																																																																																																																																																																																																																																																																																																																																																																																																																																																																																																																																																																																																									
328	111	4.39	2.9	2.40	2.9	16196	492	128	2.3																																																																																																																																																																																																																																																																																																																																																																																																																																																																																																																																																																																																																																																																																																																									
142	256	10.15	1.9	0.85	3.2	14814	450	128	2.5																																																																																																																																																																																																																																																																																																																																																																																																																																																																																																																																																																																																																																																																																																																									
159	229	9.07	2.2	0.90	3.6	13266	403	128	2.8																																																																																																																																																																																																																																																																																																																																																																																																																																																																																																																																																																																																																																																																																																																									
186	195	7.75	2.4	0.75	4.0	11983	364	128	3.1																																																																																																																																																																																																																																																																																																																																																																																																																																																																																																																																																																																																																																																																																																																									
							GR49 GRF49																																																																																																																																																																																																																																																																																																																																																																																																																																																																																																																																																																																																																																																																																																																											
							GR79 GRF79																																																																																																																																																																																																																																																																																																																																																																																																																																																																																																																																																																																																																																																																																																																											
							GRX89 GRXF89																																																																																																																																																																																																																																																																																																																																																																																																																																																																																																																																																																																																																																																																																																																											
							GRX79 GRXF79																																																																																																																																																																																																																																																																																																																																																																																																																																																																																																																																																																																																																																																																																																																											
							GRX69 GRXF69																																																																																																																																																																																																																																																																																																																																																																																																																																																																																																																																																																																																																																																																																																																											
							GRX59 GRXF59																																																																																																																																																																																																																																																																																																																																																																																																																																																																																																																																																																																																																																																																																																																											
							GRF179R109 GRF179R109																																																																																																																																																																																																																																																																																																																																																																																																																																																																																																																																																																																																																																																																																																																											

选型参数表

(恒功率) 5.5kW

Selection Table

(Constant Power) 5.5kW

n_a [r/min]	M_a [Nm]	i	F_{Ra} [kN]	f_B	机型号 Type size	极数 Pole	n_a [r/min]	M_a [Nm]	i	F_{Ra} [kN]	f_B	机型号 Type size	极数 Pole																																																																																																																																																																																																																																																																																																																																																																																																																																																																																																																																																																																																																																																																																																																																																								
5.5kW							5.5kW																																																																																																																																																																																																																																																																																																																																																																																																																																																																																																																																																																																																																																																																																																																																																														
1.2	39141	1189	128	0.9	GR179R99 GRF179R99	4P	14	3576	103.20	57	2.10	GR139 GRF139	4P																																																																																																																																																																																																																																																																																																																																																																																																																																																																																																																																																																																																																																																																																																																																																								
1.2	37989	1154	128	1.0			1.5	31504	957	128	1.2			1.9	25282	768	128	1.4	2.0	23373	710	128	1.6	2.3	20443	621	128	1.8	2.6	18534	563	128	2.0	3.0	15834	481	128	2.3	3.0	15703	477	128	2.3	3.5	13431	408	128	2.7	4.0	11719	356	128	3.1	2.2	21595	656	114	0.85	GR169R99 GRF169R99	4P	11	4424	127.68	26	0.90	GR109 GRF109	4P	2.5	19060	579	114	0.95	2.9	16558	503	114	1.05	3.3	14221	432	114	1.25	3.8	12411	377	114	1.45	4.3	11028	335	114	1.60	4.8	9975	303	114	1.80	5.2	9184	279	114	1.95	3.1	15209	462	42	0.85	3.4	14024	426	55	0.90	3.9	12114	368	61	1.10	GR149R89 GRF149R89	4P	16	3212	92.70	32	1.25	GR99 GRF99	4P	4.4	10732	326	63	1.25	5.1	9217	280	65	1.40	5.8	8131	247	67	1.60	6.7	7045	214	68	1.90	7.6	6222	189	68	2.15	3.7	13450	194.08	128	2.50	4.0	12328	177.89	128	2.75	4.6	10739	154.96	128	3.05	3.1	15920	229.71	114	1.05	3.9	12955	186.93	114	1.30	GR179 GRF179	8P	17	2881	83.15	17	1.00	GR99 GRF99	4P	4.7	10608	153.07	114	1.60	5.1	9701	139.98	114	1.75	5.9	8442	121.81	114	2.00	4.4	11318	163.31	61	1.10	4.9	10181	146.91	63	1.20	GR169 GRF169	8P	6.0	8307	119.86	66	1.45	6.6	7576	109.31	67	1.60	5.9	8489	163.31	66	1.45	6.5	7636	146.91	67	1.60	8.0	6230	119.86	68	2.00	GR99 GRF99	4P	8.8	5682	109.31	69	2.20	10	4917	94.60	69	2.50	12	4339	83.47	70	2.80	5.6	8883	128.18	42	0.85	6.3	7881	113.72	50	0.95	GR149 GRF149	6P	7.0	7152	103.20	51	1.05	8.1	6147	88.70	53	1.20	5.5	9065	174.40	41	0.85	6.1	8125	156.31	49	0.95	6.8	7335	141.12	51	1.05	7.5	6663	128.18	53	1.15	8.4	5911	113.72	54	1.30	9.3	5364	103.20	55	1.40	6.5	7714	222.60	50	1.00	7.6	6530	188.45	53	1.15	8.3	6043	174.40	54	1.25	9.2	5416	156.31	55	1.40	10	4890	141.12	55	1.55	11	4442	128.18	56	1.70	13	3941	113.72	56	1.90	20	2547	73.49	57	3.00	22	2259	65.20	58	3.30	24	2050	59.17	58	3.70	28	1762	50.86	58	4.30	11	4424	127.68	26	0.90	12	4007	115.63	28	1.00	14	3553	102.53	30	1.15	16	3212	92.70	32	1.25	18	2723	78.57	32	1.50	20	2525	72.88	31	1.60	22	2273	65.60	30	1.80	24	2059	59.41	30	1.95	27	1825	52.68	29	2.20	30	1650	47.63	28	2.50	36	1399	40.37	27	2.90	20	2501	72.17	21	1.15	22	2260	65.21	23	1.25	24	2076	59.92	23	1.35	27	1844	53.21	22	1.55	30	1649	47.58	22	1.70	34	1482	42.78	21	1.90	39	1287	37.13	21	2.20	43	1152	33.25	20	2.40	52	956	27.58	19	2.60	45	1111	32.05	20	2.20	53	942	27.19	19	2.60	58	867	25.03	19	3.10	64	775	22.37	18	3.30	71	698	20.14	17	3.50	79	632	18.24	17	3.70	89	560	16.17	16	4.00	30	1656	47.79	15	0.90	34	1453	41.92	16	1.00	39	1282	37.00	16	1.15	44	1137	32.80	16	1.30	51	970	28.00	15	1.45	52	969	27.96	15	1.50	61	815	23.51	15	1.80	67	748	21.60	14	1.90	75	665	19.18	14	2.00	84	594	17.15	14	2.20	93	534	15.42	13	2.40	108	464	13.38	13	2.60	120	415	11.98	12	2.80	145	344	9.94	12	3.20	157	317	9.15	12	3.60	175	285	8.23	11	3.80	202	247	7.14	11	4.10	77	651	18.80	8.8	1.15	81	617	17.82	8.9	1.20	92	541	15.60	8.7	1.30	102	487	14.05	8.5	1.40	117	427	12.33	8.3	1.50	132	377	10.88	8.0	1.65	149	334	9.64	7.8	1.80	168	298	8.59	7.7	2.00	186	268	7.74	7.5	2.20	212	235	6.79	7.2	2.30	240	208	5.99	7.0	2.50	271	184	5.31	6.7	2.60																																																																																																				
1.5	31504	957	128	1.2			1.9	25282	768	128	1.4			2.0	23373	710	128	1.6	2.3	20443	621	128	1.8	2.6	18534	563	128	2.0	3.0	15834	481	128	2.3	3.0	15703	477	128	2.3	3.5	13431	408	128	2.7	4.0	11719	356	128	3.1	2.2	21595	656	114	0.85	GR169R99 GRF169R99	4P	11	4424	127.68			26	0.90	GR109 GRF109	4P	2.5			19060	579	114	0.95	2.9	16558	503	114	1.05	3.3	14221	432	114	1.25	3.8	12411	377	114	1.45	4.3	11028	335	114	1.60	4.8	9975	303	114	1.80	5.2	9184	279	114	1.95	3.1	15209	462	42	0.85	3.4	14024	426	55	0.90	3.9	12114	368	61	1.10	GR149R89 GRF149R89			4P	16	3212	92.70	32			1.25	GR99 GRF99	4P	4.4	10732	326	63	1.25	5.1	9217	280	65	1.40	5.8	8131	247	67	1.60	6.7	7045	214	68	1.90	7.6	6222	189	68	2.15	3.7	13450	194.08	128	2.50	4.0	12328	177.89	128	2.75	4.6	10739	154.96	128	3.05	3.1	15920	229.71	114	1.05	3.9	12955			186.93	114	1.30	GR179 GRF179	8P			17	2881	83.15	17	1.00	GR99 GRF99	4P	4.7	10608	153.07	114	1.60	5.1	9701	139.98	114	1.75	5.9	8442	121.81	114	2.00	4.4	11318	163.31			61	1.10	4.9	10181	146.91	63	1.20	GR169 GRF169	8P	6.0	8307	119.86	66	1.45	6.6	7576	109.31	67	1.60	5.9	8489	163.31	66	1.45	6.5			7636	146.91	67	1.60	8.0	6230	119.86	68	2.00	GR99 GRF99	4P	8.8	5682	109.31	69	2.20	10	4917	94.60	69	2.50	12	4339	83.47	70			2.80	5.6	8883	128.18	42	0.85	6.3	7881	113.72	50	0.95	GR149 GRF149	6P	7.0	7152	103.20	51	1.05	8.1	6147	88.70	53	1.20	5.5	9065	174.40	41	0.85	6.1	8125	156.31	49	0.95	6.8	7335	141.12	51	1.05	7.5	6663	128.18	53	1.15	8.4	5911	113.72	54	1.30	9.3	5364	103.20	55	1.40	6.5	7714	222.60	50	1.00	7.6	6530	188.45	53	1.15	8.3	6043	174.40	54	1.25	9.2	5416	156.31	55	1.40	10	4890	141.12	55	1.55	11	4442	128.18	56	1.70	13	3941	113.72	56	1.90	20	2547	73.49	57	3.00	22	2259	65.20	58	3.30	24	2050	59.17	58	3.70	28	1762	50.86	58	4.30	11	4424	127.68	26	0.90	12	4007	115.63	28	1.00	14	3553	102.53	30	1.15	16	3212	92.70	32	1.25	18	2723	78.57	32	1.50	20	2525	72.88	31	1.60	22	2273	65.60	30	1.80	24	2059	59.41	30	1.95	27	1825	52.68	29	2.20	30	1650	47.63	28	2.50	36	1399	40.37	27	2.90	20	2501	72.17	21	1.15	22	2260	65.21	23	1.25	24	2076	59.92	23	1.35	27	1844	53.21	22	1.55	30	1649	47.58	22	1.70	34	1482	42.78	21	1.90	39	1287	37.13	21	2.20	43	1152	33.25	20	2.40	52	956	27.58	19	2.60	45	1111	32.05	20	2.20	53	942	27.19	19	2.60	58	867	25.03	19	3.10	64	775	22.37	18	3.30	71	698	20.14	17	3.50	79	632	18.24	17	3.70	89	560	16.17	16	4.00	30	1656	47.79	15	0.90	34	1453	41.92	16	1.00	39	1282	37.00	16	1.15	44	1137	32.80	16	1.30	51	970	28.00	15	1.45	52	969	27.96	15	1.50	61	815	23.51	15	1.80	67	748	21.60	14	1.90	75	665	19.18	14	2.00	84	594	17.15	14	2.20	93	534	15.42	13	2.40	108	464	13.38	13	2.60	120	415	11.98	12	2.80	145	344	9.94	12	3.20	157	317	9.15	12	3.60	175	285	8.23	11	3.80	202	247	7.14	11	4.10	77	651	18.80	8.8	1.15	81	617	17.82	8.9	1.20	92	541	15.60	8.7	1.30	102	487	14.05	8.5	1.40	117	427	12.33	8.3	1.50	132	377	10.88	8.0	1.65	149	334	9.64	7.8	1.80	168	298	8.59	7.7	2.00	186	268	7.74	7.5	2.20	212	235	6.79	7.2	2.30	240	208	5.99	7.0	2.50	271	184	5.31	6.7	2.60																																																																																							
1.9	25282	768	128	1.4			2.0	23373	710	128	1.6			2.3	20443	621	128	1.8	2.6	18534	563	128	2.0	3.0	15834	481	128	2.3	3.0	15703	477	128	2.3	3.5	13431	408	128	2.7	4.0	11719	356	128	3.1	2.2	21595	656	114	0.85	GR169R99 GRF169R99	4P	11	4424	127.68			26	0.90	GR109 GRF109			4P	2.5			19060			579	114	0.95	2.9	16558	503	114	1.05	3.3	14221	432	114	1.25	3.8	12411	377	114	1.45	4.3	11028	335	114	1.60	4.8	9975	303	114	1.80	5.2	9184	279	114	1.95	3.1	15209	462	42	0.85	3.4	14024	426	55	0.90	3.9	12114	368	61	1.10	GR149R89 GRF149R89					4P	16	3212	92.70			32			1.25	GR99 GRF99	4P	4.4	10732	326	63	1.25	5.1	9217	280	65	1.40	5.8	8131	247	67	1.60	6.7	7045	214	68	1.90	7.6	6222	189	68	2.15	3.7	13450	194.08	128	2.50	4.0	12328	177.89	128	2.75	4.6	10739	154.96	128	3.05	3.1	15920	229.71	114			1.05	3.9	12955					186.93	114	1.30	GR179 GRF179	8P			17	2881	83.15	17	1.00	GR99 GRF99	4P	4.7	10608	153.07	114	1.60	5.1	9701	139.98	114	1.75	5.9			8442	121.81	114	2.00	4.4	11318	163.31			61	1.10	4.9	10181	146.91	63	1.20	GR169 GRF169	8P	6.0	8307	119.86	66	1.45	6.6	7576			109.31	67	1.60	5.9	8489	163.31	66	1.45	6.5			7636	146.91	67	1.60	8.0	6230	119.86	68	2.00	GR99 GRF99	4P	8.8	5682	109.31			69	2.20	10	4917	94.60	69	2.50	12	4339	83.47	70			2.80	5.6	8883	128.18	42	0.85	6.3	7881	113.72	50	0.95	GR149 GRF149	6P	7.0	7152	103.20	51	1.05	8.1	6147	88.70	53	1.20	5.5	9065	174.40	41	0.85	6.1	8125	156.31	49	0.95	6.8	7335	141.12	51	1.05	7.5	6663	128.18	53	1.15	8.4	5911	113.72	54	1.30	9.3	5364	103.20	55	1.40	6.5	7714	222.60	50	1.00	7.6	6530	188.45	53	1.15	8.3	6043	174.40	54	1.25	9.2	5416	156.31	55	1.40	10	4890	141.12	55	1.55	11	4442	128.18	56	1.70	13	3941	113.72	56	1.90	20	2547	73.49	57	3.00	22	2259	65.20	58	3.30	24	2050	59.17	58	3.70	28	1762	50.86	58	4.30	11	4424	127.68	26	0.90	12	4007	115.63	28	1.00	14	3553	102.53	30	1.15	16	3212	92.70	32	1.25	18	2723	78.57	32	1.50	20	2525	72.88	31	1.60	22	2273	65.60	30	1.80	24	2059	59.41	30	1.95	27	1825	52.68	29	2.20	30	1650	47.63	28	2.50	36	1399	40.37	27	2.90	20	2501	72.17	21	1.15	22	2260	65.21	23	1.25	24	2076	59.92	23	1.35	27	1844	53.21	22	1.55	30	1649	47.58	22	1.70	34	1482	42.78	21	1.90	39	1287	37.13	21	2.20	43	1152	33.25	20	2.40	52	956	27.58	19	2.60	45	1111	32.05	20	2.20	53	942	27.19	19	2.60	58	867	25.03	19	3.10	64	775	22.37	18	3.30	71	698	20.14	17	3.50	79	632	18.24	17	3.70	89	560	16.17	16	4.00	30	1656	47.79	15	0.90	34	1453	41.92	16	1.00	39	1282	37.00	16	1.15	44	1137	32.80	16	1.30	51	970	28.00	15	1.45	52	969	27.96	15	1.50	61	815	23.51	15	1.80	67	748	21.60	14	1.90	75	665	19.18	14	2.00	84	594	17.15	14	2.20	93	534	15.42	13	2.40	108	464	13.38	13	2.60	120	415	11.98	12	2.80	145	344	9.94	12	3.20	157	317	9.15	12	3.60	175	285	8.23	11	3.80	202	247	7.14	11	4.10	77	651	18.80	8.8	1.15	81	617	17.82	8.9	1.20	92	541	15.60	8.7	1.30	102	487	14.05	8.5	1.40	117	427	12.33	8.3	1.50	132	377	10.88	8.0	1.65	149	334	9.64	7.8	1.80	168	298	8.59	7.7	2.00	186	268	7.74	7.5	2.20	212	235	6.79	7.2	2.30	240	208	5.99	7.0	2.50	271	184	5.31	6.7	2.60																																																																										
2.0	23373	710	128	1.6			2.3	20443	621	128	1.8			2.6	18534	563	128	2.0	3.0	15834	481	128	2.3	3.0	15703	477	128	2.3	3.5	13431	408	128	2.7	4.0	11719	356	128	3.1	2.2	21595	656	114	0.85	GR169R99 GRF169R99	4P	11	4424	127.68			26	0.90	GR109 GRF109			4P	2.5					19060			579			114	0.95	2.9	16558	503	114	1.05	3.3	14221	432	114	1.25	3.8	12411	377	114	1.45	4.3	11028	335	114	1.60	4.8	9975	303	114	1.80	5.2	9184	279	114	1.95	3.1	15209	462	42	0.85	3.4	14024	426	55	0.90	3.9	12114	368	61	1.10	GR149R89 GRF149R89							4P	16	3212			92.70			32			1.25	GR99 GRF99	4P	4.4	10732	326	63	1.25	5.1	9217	280	65	1.40	5.8	8131	247	67	1.60	6.7	7045	214	68	1.90	7.6	6222	189	68	2.15	3.7	13450	194.08	128	2.50	4.0	12328	177.89	128	2.75	4.6	10739	154.96	128	3.05	3.1			15920	229.71	114					1.05	3.9	12955					186.93	114	1.30	GR179 GRF179	8P			17	2881	83.15	17	1.00	GR99 GRF99	4P	4.7	10608	153.07	114			1.60	5.1	9701	139.98	114	1.75	5.9			8442	121.81	114	2.00	4.4	11318	163.31			61	1.10	4.9	10181	146.91	63	1.20			GR169 GRF169	8P	6.0	8307	119.86	66	1.45	6.6	7576			109.31	67	1.60	5.9	8489	163.31	66	1.45	6.5			7636	146.91	67			1.60	8.0	6230	119.86	68	2.00	GR99 GRF99	4P	8.8	5682	109.31			69	2.20	10	4917	94.60	69	2.50	12	4339	83.47	70			2.80	5.6	8883	128.18	42	0.85	6.3	7881	113.72	50	0.95	GR149 GRF149	6P	7.0	7152	103.20	51	1.05	8.1	6147	88.70	53	1.20	5.5	9065	174.40	41	0.85	6.1	8125	156.31	49	0.95	6.8	7335	141.12	51	1.05	7.5	6663	128.18	53	1.15	8.4	5911	113.72	54	1.30	9.3	5364	103.20	55	1.40	6.5	7714	222.60	50	1.00	7.6	6530	188.45	53	1.15	8.3	6043	174.40	54	1.25	9.2	5416	156.31	55	1.40	10	4890	141.12	55	1.55	11	4442	128.18	56	1.70	13	3941	113.72	56	1.90	20	2547	73.49	57	3.00	22	2259	65.20	58	3.30	24	2050	59.17	58	3.70	28	1762	50.86	58	4.30	11	4424	127.68	26	0.90	12	4007	115.63	28	1.00	14	3553	102.53	30	1.15	16	3212	92.70	32	1.25	18	2723	78.57	32	1.50	20	2525	72.88	31	1.60	22	2273	65.60	30	1.80	24	2059	59.41	30	1.95	27	1825	52.68	29	2.20	30	1650	47.63	28	2.50	36	1399	40.37	27	2.90	20	2501	72.17	21	1.15	22	2260	65.21	23	1.25	24	2076	59.92	23	1.35	27	1844	53.21	22	1.55	30	1649	47.58	22	1.70	34	1482	42.78	21	1.90	39	1287	37.13	21	2.20	43	1152	33.25	20	2.40	52	956	27.58	19	2.60	45	1111	32.05	20	2.20	53	942	27.19	19	2.60	58	867	25.03	19	3.10	64	775	22.37	18	3.30	71	698	20.14	17	3.50	79	632	18.24	17	3.70	89	560	16.17	16	4.00	30	1656	47.79	15	0.90	34	1453	41.92	16	1.00	39	1282	37.00	16	1.15	44	1137	32.80	16	1.30	51	970	28.00	15	1.45	52	969	27.96	15	1.50	61	815	23.51	15	1.80	67	748	21.60	14	1.90	75	665	19.18	14	2.00	84	594	17.15	14	2.20	93	534	15.42	13	2.40	108	464	13.38	13	2.60	120	415	11.98	12	2.80	145	344	9.94	12	3.20	157	317	9.15	12	3.60	175	285	8.23	11	3.80	202	247	7.14	11	4.10	77	651	18.80	8.8	1.15	81	617	17.82	8.9	1.20	92	541	15.60	8.7	1.30	102	487	14.05	8.5	1.40	117	427	12.33	8.3	1.50	132	377	10.88	8.0	1.65	149	334	9.64	7.8	1.80	168	298	8.59	7.7	2.00	186	268	7.74	7.5	2.20	212	235	6.79	7.2	2.30	240	208	5.99	7.0	2.50	271	184	5.31	6.7	2.60																																																													
2.3	20443	621	128	1.8			2.6	18534	563	128	2.0			3.0	15834	481	128	2.3	3.0	15703	477	128	2.3	3.5	13431	408	128	2.7	4.0	11719	356	128	3.1	2.2	21595	656	114	0.85	GR169R99 GRF169R99	4P	11	4424	127.68			26	0.90	GR109 GRF109			4P	2.5					19060					579			114			0.95	2.9	16558	503	114	1.05	3.3	14221	432	114	1.25	3.8	12411	377	114	1.45	4.3	11028	335	114	1.60	4.8	9975	303	114	1.80	5.2	9184	279	114	1.95	3.1	15209	462	42	0.85	3.4	14024	426	55	0.90	3.9	12114	368	61	1.10	GR149R89 GRF149R89									4P	16			3212			92.70			32			1.25	GR99 GRF99	4P	4.4	10732	326	63	1.25	5.1	9217	280	65	1.40	5.8	8131	247	67	1.60	6.7	7045	214	68	1.90	7.6	6222	189	68	2.15	3.7	13450	194.08	128	2.50	4.0	12328	177.89	128	2.75	4.6	10739	154.96			128	3.05	3.1					15920	229.71	114					1.05	3.9	12955					186.93	114	1.30	GR179 GRF179	8P			17	2881	83.15	17			1.00	GR99 GRF99	4P	4.7	10608	153.07	114			1.60	5.1	9701	139.98	114	1.75	5.9			8442	121.81	114	2.00	4.4	11318	163.31					61	1.10	4.9	10181	146.91	63	1.20			GR169 GRF169	8P	6.0	8307	119.86	66	1.45	6.6	7576			109.31	67	1.60			5.9	8489	163.31	66	1.45	6.5			7636	146.91	67			1.60	8.0	6230	119.86	68	2.00	GR99 GRF99	4P	8.8	5682	109.31			69	2.20	10	4917	94.60	69	2.50	12	4339	83.47	70			2.80	5.6	8883	128.18	42	0.85	6.3	7881	113.72	50	0.95	GR149 GRF149	6P	7.0	7152	103.20	51	1.05	8.1	6147	88.70	53	1.20	5.5	9065	174.40	41	0.85	6.1	8125	156.31	49	0.95	6.8	7335	141.12	51	1.05	7.5	6663	128.18	53	1.15	8.4	5911	113.72	54	1.30	9.3	5364	103.20	55	1.40	6.5	7714	222.60	50	1.00	7.6	6530	188.45	53	1.15	8.3	6043	174.40	54	1.25	9.2	5416	156.31	55	1.40	10	4890	141.12	55	1.55	11	4442	128.18	56	1.70	13	3941	113.72	56	1.90	20	2547	73.49	57	3.00	22	2259	65.20	58	3.30	24	2050	59.17	58	3.70	28	1762	50.86	58	4.30	11	4424	127.68	26	0.90	12	4007	115.63	28	1.00	14	3553	102.53	30	1.15	16	3212	92.70	32	1.25	18	2723	78.57	32	1.50	20	2525	72.88	31	1.60	22	2273	65.60	30	1.80	24	2059	59.41	30	1.95	27	1825	52.68	29	2.20	30	1650	47.63	28	2.50	36	1399	40.37	27	2.90	20	2501	72.17	21	1.15	22	2260	65.21	23	1.25	24	2076	59.92	23	1.35	27	1844	53.21	22	1.55	30	1649	47.58	22	1.70	34	1482	42.78	21	1.90	39	1287	37.13	21	2.20	43	1152	33.25	20	2.40	52	956	27.58	19	2.60	45	1111	32.05	20	2.20	53	942	27.19	19	2.60	58	867	25.03	19	3.10	64	775	22.37	18	3.30	71	698	20.14	17	3.50	79	632	18.24	17	3.70	89	560	16.17	16	4.00	30	1656	47.79	15	0.90	34	1453	41.92	16	1.00	39	1282	37.00	16	1.15	44	1137	32.80	16	1.30	51	970	28.00	15	1.45	52	969	27.96	15	1.50	61	815	23.51	15	1.80	67	748	21.60	14	1.90	75	665	19.18	14	2.00	84	594	17.15	14	2.20	93	534	15.42	13	2.40	108	464	13.38	13	2.60	120	415	11.98	12	2.80	145	344	9.94	12	3.20	157	317	9.15	12	3.60	175	285	8.23	11	3.80	202	247	7.14	11	4.10	77	651	18.80	8.8	1.15	81	617	17.82	8.9	1.20	92	541	15.60	8.7	1.30	102	487	14.05	8.5	1.40	117	427	12.33	8.3	1.50	132	377	10.88	8.0	1.65	149	334	9.64	7.8	1.80	168	298	8.59	7.7	2.00	186	268	7.74	7.5	2.20	212	235	6.79	7.2	2.30	240	208	5.99	7.0	2.50	271	184	5.31	6.7	2.60																																																
2.6	18534	563	128	2.0			3.0	15834	481	128	2.3			3.0	15703	477	128	2.3	3.5	13431	408	128	2.7	4.0	11719	356	128	3.1	2.2	21595	656	114	0.85	GR169R99 GRF169R99	4P	11	4424	127.68			26	0.90	GR109 GRF109			4P	2.5					19060					579					114			0.95			2.9	16558	503	114	1.05	3.3	14221	432	114	1.25	3.8	12411	377	114	1.45	4.3	11028	335	114	1.60	4.8	9975	303	114	1.80	5.2	9184	279	114	1.95	3.1	15209	462	42	0.85	3.4	14024	426	55	0.90	3.9	12114	368	61	1.10	GR149R89 GRF149R89											4P			16			3212			92.70			32			1.25	GR99 GRF99	4P	4.4	10732	326	63	1.25	5.1	9217	280	65	1.40	5.8	8131	247	67	1.60	6.7	7045	214	68	1.90	7.6	6222	189	68	2.15	3.7	13450	194.08	128	2.50	4.0	12328	177.89	128	2.75			4.6	10739	154.96					128	3.05	3.1					15920	229.71	114					1.05	3.9	12955					186.93	114	1.30	GR179 GRF179			8P			17	2881	83.15	17			1.00	GR99 GRF99	4P	4.7	10608	153.07	114			1.60	5.1	9701	139.98	114	1.75	5.9					8442	121.81	114	2.00	4.4	11318	163.31					61	1.10	4.9	10181	146.91	63	1.20			GR169 GRF169	8P	6.0			8307	119.86	66	1.45	6.6	7576			109.31	67	1.60			5.9	8489	163.31	66	1.45	6.5			7636	146.91	67			1.60	8.0	6230	119.86	68	2.00	GR99 GRF99	4P	8.8	5682	109.31			69	2.20	10	4917	94.60	69	2.50	12	4339	83.47	70			2.80	5.6	8883	128.18	42	0.85	6.3	7881	113.72	50	0.95	GR149 GRF149	6P	7.0	7152	103.20	51	1.05	8.1	6147	88.70	53	1.20	5.5	9065	174.40	41	0.85	6.1	8125	156.31	49	0.95	6.8	7335	141.12	51	1.05	7.5	6663	128.18	53	1.15	8.4	5911	113.72	54	1.30	9.3	5364	103.20	55	1.40	6.5	7714	222.60	50	1.00	7.6	6530	188.45	53	1.15	8.3	6043	174.40	54	1.25	9.2	5416	156.31	55	1.40	10	4890	141.12	55	1.55	11	4442	128.18	56	1.70	13	3941	113.72	56	1.90	20	2547	73.49	57	3.00	22	2259	65.20	58	3.30	24	2050	59.17	58	3.70	28	1762	50.86	58	4.30	11	4424	127.68	26	0.90	12	4007	115.63	28	1.00	14	3553	102.53	30	1.15	16	3212	92.70	32	1.25	18	2723	78.57	32	1.50	20	2525	72.88	31	1.60	22	2273	65.60	30	1.80	24	2059	59.41	30	1.95	27	1825	52.68	29	2.20	30	1650	47.63	28	2.50	36	1399	40.37	27	2.90	20	2501	72.17	21	1.15	22	2260	65.21	23	1.25	24	2076	59.92	23	1.35	27	1844	53.21	22	1.55	30	1649	47.58	22	1.70	34	1482	42.78	21	1.90	39	1287	37.13	21	2.20	43	1152	33.25	20	2.40	52	956	27.58	19	2.60	45	1111	32.05	20	2.20	53	942	27.19	19	2.60	58	867	25.03	19	3.10	64	775	22.37	18	3.30	71	698	20.14	17	3.50	79	632	18.24	17	3.70	89	560	16.17	16	4.00	30	1656	47.79	15	0.90	34	1453	41.92	16	1.00	39	1282	37.00	16	1.15	44	1137	32.80	16	1.30	51	970	28.00	15	1.45	52	969	27.96	15	1.50	61	815	23.51	15	1.80	67	748	21.60	14	1.90	75	665	19.18	14	2.00	84	594	17.15	14	2.20	93	534	15.42	13	2.40	108	464	13.38	13	2.60	120	415	11.98	12	2.80	145	344	9.94	12	3.20	157	317	9.15	12	3.60	175	285	8.23	11	3.80	202	247	7.14	11	4.10	77	651	18.80	8.8	1.15	81	617	17.82	8.9	1.20	92	541	15.60	8.7	1.30	102	487	14.05	8.5	1.40	117	427	12.33	8.3	1.50	132	377	10.88	8.0	1.65	149	334	9.64	7.8	1.80	168	298	8.59	7.7	2.00	186	268	7.74	7.5	2.20	212	235	6.79	7.2	2.30	240	208	5.99	7.0	2.50	271	184	5.31	6.7	2.60																																			
3.0	15834	481	128	2.3			3.0	15703	477	128	2.3			3.5	13431	408	128	2.7	4.0	11719	356	128	3.1	2.2	21595	656	114	0.85	GR169R99 GRF169R99	4P	11	4424	127.68			26	0.90	GR109 GRF109			4P	2.5					19060					579					114					0.95			2.9			16558	503	114	1.05	3.3	14221	432	114	1.25	3.8	12411	377	114	1.45	4.3	11028	335	114	1.60	4.8	9975	303	114	1.80	5.2	9184	279	114	1.95	3.1	15209	462	42	0.85	3.4	14024	426	55	0.90	3.9	12114	368	61	1.10	GR149R89 GRF149R89															4P			16			3212			92.70			32			1.25	GR99 GRF99	4P	4.4	10732	326	63	1.25	5.1	9217	280	65	1.40	5.8	8131	247	67	1.60	6.7	7045	214	68	1.90	7.6	6222	189	68	2.15	3.7	13450	194.08	128	2.50	4.0	12328			177.89	128	2.75					4.6	10739	154.96					128	3.05	3.1					15920	229.71	114					1.05	3.9	12955							186.93	114	1.30	GR179 GRF179			8P			17	2881	83.15	17			1.00	GR99 GRF99	4P	4.7	10608	153.07	114					1.60	5.1	9701	139.98	114	1.75	5.9					8442	121.81	114	2.00	4.4	11318	163.31					61			1.10	4.9	10181	146.91	63	1.20			GR169 GRF169	8P	6.0			8307	119.86	66	1.45	6.6	7576			109.31	67	1.60			5.9	8489	163.31	66	1.45	6.5			7636	146.91	67			1.60	8.0	6230	119.86	68	2.00	GR99 GRF99	4P	8.8	5682	109.31			69	2.20	10	4917	94.60	69	2.50	12	4339	83.47	70			2.80	5.6	8883	128.18	42	0.85	6.3	7881	113.72	50	0.95	GR149 GRF149	6P	7.0	7152	103.20	51	1.05	8.1	6147	88.70	53	1.20	5.5	9065	174.40	41	0.85	6.1	8125	156.31	49	0.95	6.8	7335	141.12	51	1.05	7.5	6663	128.18	53	1.15	8.4	5911	113.72	54	1.30	9.3	5364	103.20	55	1.40	6.5	7714	222.60	50	1.00	7.6	6530	188.45	53	1.15	8.3	6043	174.40	54	1.25	9.2	5416	156.31	55	1.40	10	4890	141.12	55	1.55	11	4442	128.18	56	1.70	13	3941	113.72	56	1.90	20	2547	73.49	57	3.00	22	2259	65.20	58	3.30	24	2050	59.17	58	3.70	28	1762	50.86	58	4.30	11	4424	127.68	26	0.90	12	4007	115.63	28	1.00	14	3553	102.53	30	1.15	16	3212	92.70	32	1.25	18	2723	78.57	32	1.50	20	2525	72.88	31	1.60	22	2273	65.60	30	1.80	24	2059	59.41	30	1.95	27	1825	52.68	29	2.20	30	1650	47.63	28	2.50	36	1399	40.37	27	2.90	20	2501	72.17	21	1.15	22	2260	65.21	23	1.25	24	2076	59.92	23	1.35	27	1844	53.21	22	1.55	30	1649	47.58	22	1.70	34	1482	42.78	21	1.90	39	1287	37.13	21	2.20	43	1152	33.25	20	2.40	52	956	27.58	19	2.60	45	1111	32.05	20	2.20	53	942	27.19	19	2.60	58	867	25.03	19	3.10	64	775	22.37	18	3.30	71	698	20.14	17	3.50	79	632	18.24	17	3.70	89	560	16.17	16	4.00	30	1656	47.79	15	0.90	34	1453	41.92	16	1.00	39	1282	37.00	16	1.15	44	1137	32.80	16	1.30	51	970	28.00	15	1.45	52	969	27.96	15	1.50	61	815	23.51	15	1.80	67	748	21.60	14	1.90	75	665	19.18	14	2.00	84	594	17.15	14	2.20	93	534	15.42	13	2.40	108	464	13.38	13	2.60	120	415	11.98	12	2.80	145	344	9.94	12	3.20	157	317	9.15	12	3.60	175	285	8.23	11	3.80	202	247	7.14	11	4.10	77	651	18.80	8.8	1.15	81	617	17.82	8.9	1.20	92	541	15.60	8.7	1.30	102	487	14.05	8.5	1.40	117	427	12.33	8.3	1.50	132	377	10.88	8.0	1.65	149	334	9.64	7.8	1.80	168	298	8.59	7.7	2.00	186	268	7.74	7.5	2.20	212	235	6.79	7.2	2.30	240	208	5.99	7.0	2.50	271	184	5.31	6.7	2.60																						
3.0	15703	477	128	2.3			3.5	13431	408	128	2.7			4.0	11719	356	128	3.1	2.2	21595	656	114	0.85	GR169R99 GRF169R99	4P	11	4424	127.68			26	0.90	GR109 GRF109			4P	2.5					19060					579					114					0.95					2.9			16558			503	114	1.05	3.3	14221	432	114	1.25	3.8	12411	377	114	1.45	4.3	11028	335	114	1.60	4.8	9975	303	114	1.80	5.2	9184	279	114	1.95	3.1	15209	462	42	0.85	3.4	14024	426	55	0.90	3.9	12114	368	61	1.10	GR149R89 GRF149R89																			4P			16			3212			92.70			32			1.25	GR99 GRF99	4P	4.4	10732	326	63	1.25	5.1	9217	280	65	1.40	5.8	8131	247	67	1.60	6.7	7045	214	68	1.90	7.6	6222	189	68	2.15	3.7	13450	194.08	128			2.50	4.0	12328					177.89	128	2.75					4.6	10739	154.96					128	3.05	3.1					15920	229.71	114							1.05	3.9	12955							186.93	114	1.30	GR179 GRF179			8P			17	2881	83.15	17					1.00	GR99 GRF99	4P	4.7	10608	153.07	114					1.60	5.1	9701	139.98	114	1.75	5.9					8442			121.81	114	2.00	4.4	11318	163.31					61			1.10	4.9	10181	146.91	63	1.20			GR169 GRF169	8P	6.0			8307	119.86	66	1.45	6.6	7576			109.31	67	1.60			5.9	8489	163.31	66	1.45	6.5			7636	146.91	67			1.60	8.0	6230	119.86	68	2.00	GR99 GRF99	4P	8.8	5682	109.31			69	2.20	10	4917	94.60	69	2.50	12	4339	83.47	70			2.80	5.6	8883	128.18	42	0.85	6.3	7881	113.72	50	0.95	GR149 GRF149	6P	7.0	7152	103.20	51	1.05	8.1	6147	88.70	53	1.20	5.5	9065	174.40	41	0.85	6.1	8125	156.31	49	0.95	6.8	7335	141.12	51	1.05	7.5	6663	128.18	53	1.15	8.4	5911	113.72	54	1.30	9.3	5364	103.20	55	1.40	6.5	7714	222.60	50	1.00	7.6	6530	188.45	53	1.15	8.3	6043	174.40	54	1.25	9.2	5416	156.31	55	1.40	10	4890	141.12	55	1.55	11	4442	128.18	56	1.70	13	3941	113.72	56	1.90	20	2547	73.49	57	3.00	22	2259	65.20	58	3.30	24	2050	59.17	58	3.70	28	1762	50.86	58	4.30	11	4424	127.68	26	0.90	12	4007	115.63	28	1.00	14	3553	102.53	30	1.15	16	3212	92.70	32	1.25	18	2723	78.57	32	1.50	20	2525	72.88	31	1.60	22	2273	65.60	30	1.80	24	2059	59.41	30	1.95	27	1825	52.68	29	2.20	30	1650	47.63	28	2.50	36	1399	40.37	27	2.90	20	2501	72.17	21	1.15	22	2260	65.21	23	1.25	24	2076	59.92	23	1.35	27	1844	53.21	22	1.55	30	1649	47.58	22	1.70	34	1482	42.78	21	1.90	39	1287	37.13	21	2.20	43	1152	33.25	20	2.40	52	956	27.58	19	2.60	45	1111	32.05	20	2.20	53	942	27.19	19	2.60	58	867	25.03	19	3.10	64	775	22.37	18	3.30	71	698	20.14	17	3.50	79	632	18.24	17	3.70	89	560	16.17	16	4.00	30	1656	47.79	15	0.90	34	1453	41.92	16	1.00	39	1282	37.00	16	1.15	44	1137	32.80	16	1.30	51	970	28.00	15	1.45	52	969	27.96	15	1.50	61	815	23.51	15	1.80	67	748	21.60	14	1.90	75	665	19.18	14	2.00	84	594	17.15	14	2.20	93	534	15.42	13	2.40	108	464	13.38	13	2.60	120	415	11.98	12	2.80	145	344	9.94	12	3.20	157	317	9.15	12	3.60	175	285	8.23	11	3.80	202	247	7.14	11	4.10	77	651	18.80	8.8	1.15	81	617	17.82	8.9	1.20	92	541	15.60	8.7	1.30	102	487	14.05	8.5	1.40	117	427	12.33	8.3	1.50	132	377	10.88	8.0	1.65	149	334	9.64	7.8	1.80	168	298	8.59	7.7	2.00	186	268	7.74	7.5	2.20	212	235	6.79	7.2	2.30	240	208	5.99	7.0	2.50	271	184	5.31	6.7	2.60									
3.5	13431	408	128	2.7			4.0	11719	356	128	3.1			2.2	21595	656	114	0.85	GR169R99 GRF169R99	4P	11	4424	127.68			26	0.90	GR109 GRF109			4P	2.5					19060					579					114					0.95					2.9					16558			503			114	1.05	3.3	14221	432	114	1.25	3.8	12411	377	114	1.45	4.3	11028	335	114	1.60	4.8	9975	303	114	1.80	5.2	9184	279	114	1.95	3.1	15209	462	42	0.85	3.4	14024	426	55	0.90	3.9	12114	368	61	1.10	GR149R89 GRF149R89																							4P			16			3212			92.70			32			1.25	GR99 GRF99	4P	4.4	10732	326	63	1.25	5.1	9217	280	65	1.40	5.8	8131	247	67	1.60	6.7	7045	214	68	1.90	7.6	6222	189	68	2.15	3.7			13450	194.08	128					2.50	4.0	12328					177.89	128	2.75					4.6	10739	154.96					128	3.05	3.1							15920	229.71	114							1.05	3.9	12955							186.93	114	1.30	GR179 GRF179					8P			17	2881	83.15	17					1.00	GR99 GRF99	4P	4.7	10608	153.07	114					1.60			5.1	9701	139.98	114	1.75	5.9					8442			121.81	114	2.00	4.4	11318	163.31					61			1.10	4.9	10181	146.91	63	1.20			GR169 GRF169	8P	6.0			8307	119.86	66	1.45	6.6	7576			109.31	67	1.60			5.9	8489	163.31	66	1.45	6.5			7636	146.91	67			1.60	8.0	6230	119.86	68	2.00	GR99 GRF99	4P	8.8	5682	109.31			69	2.20	10	4917	94.60	69	2.50	12	4339	83.47	70			2.80	5.6	8883	128.18	42	0.85	6.3	7881	113.72	50	0.95	GR149 GRF149	6P	7.0	7152	103.20	51	1.05	8.1	6147	88.70	53	1.20	5.5	9065	174.40	41	0.85	6.1	8125	156.31	49	0.95	6.8	7335	141.12	51	1.05	7.5	6663	128.18	53	1.15	8.4	5911	113.72	54	1.30	9.3	5364	103.20	55	1.40	6.5	7714	222.60	50	1.00	7.6	6530	188.45	53	1.15	8.3	6043	174.40	54	1.25	9.2	5416	156.31	55	1.40	10	4890	141.12	55	1.55	11	4442	128.18	56	1.70	13	3941	113.72	56	1.90	20	2547	73.49	57	3.00	22	2259	65.20	58	3.30	24	2050	59.17	58	3.70	28	1762	50.86	58	4.30	11	4424	127.68	26	0.90	12	4007	115.63	28	1.00	14	3553	102.53	30	1.15	16	3212	92.70	32	1.25	18	2723	78.57	32	1.50	20	2525	72.88	31	1.60	22	2273	65.60	30	1.80	24	2059	59.41	30	1.95	27	1825	52.68	29	2.20	30	1650	47.63	28	2.50	36	1399	40.37	27	2.90	20	2501	72.17	21	1.15	22	2260	65.21	23	1.25	24	2076	59.92	23	1.35	27	1844	53.21	22	1.55	30	1649	47.58	22	1.70	34	1482	42.78	21	1.90	39	1287	37.13	21	2.20	43	1152	33.25	20	2.40	52	956	27.58	19	2.60	45	1111	32.05	20	2.20	53	942	27.19	19	2.60	58	867	25.03	19	3.10	64	775	22.37	18	3.30	71	698	20.14	17	3.50	79	632	18.24	17	3.70	89	560	16.17	16	4.00	30	1656	47.79	15	0.90	34	1453	41.92	16	1.00	39	1282	37.00	16	1.15	44	1137	32.80	16	1.30	51	970	28.00	15	1.45	52	969	27.96	15	1.50	61	815	23.51	15	1.80	67	748	21.60	14	1.90	75	665	19.18	14	2.00	84	594	17.15	14	2.20	93	534	15.42	13	2.40	108	464	13.38	13	2.60	120	415	11.98	12	2.80	145	344	9.94	12	3.20	157	317	9.15	12	3.60	175	285	8.23	11	3.80	202	247	7.14	11	4.10	77	651	18.80	8.8	1.15	81	617	17.82	8.9	1.20	92	541	15.60	8.7	1.30	102	487	14.05	8.5	1.40	117	427	12.33	8.3	1.50	132	377	10.88	8.0	1.65	149	334	9.64	7.8	1.80	168	298	8.59	7.7	2.00	186	268	7.74	7.5	2.20	212	235	6.79	7.2	2.30	240	208	5.99	7.0	2.50	271
4.0	11719	356	128	3.1	2.2	21595	656	114	0.85	GR169R99 GRF169R99	4P	11	4424	127.68	26	0.90	GR109 GRF109	4P			2.5	19060	579			114	0.95					2.9					16558					503					114					1.05					3.3					14221			432			114	1.25	3.8	12411	377	114	1.45	4.3	11028	335	114	1.60	4.8	9975	303	114	1.80	5.2	9184	279	114	1.95	3.1	15209	462	42	0.85	3.4	14024	426	55	0.90	3.9	12114	368	61	1.10	GR149R89 GRF149R89	4P	16	3212	92.70																											32			1.25			GR99 GRF99			4P			4.4			10732	326	63	1.25	5.1	9217	280	65	1.40	5.8	8131	247	67	1.60	6.7	7045	214	68	1.90	7.6	6222	189	68	2.15	3.7	13450			194.08	128	2.50					4.0	12328	177.89					128	2.75	4.6					10739	154.96	128					3.05	3.1	15920							229.71	114	1.05							3.9	12955	186.93							114	1.30	GR179 GRF179									8P	17	2881	83.15					17			1.00	GR99 GRF99	4P	4.7					10608			153.07	114	1.60	5.1	9701	139.98					114			1.75	5.9	8442	121.81	114	2.00					4.4			11318	163.31	61	1.10	4.9	10181					146.91			63	1.20	GR169 GRF169	8P	6.0	8307			119.86	66	1.45			6.6	7576	109.31	67	1.60	5.9			8489	163.31	66			1.45	6.5	7636	146.91	67	1.60			8.0	6230	119.86			68	2.00	GR99 GRF99	4P	8.8	5682	109.31	69	2.20	10	4917			94.60	69	2.50	12	4339	83.47	70	2.80	5.6	8883	128.18			42	0.85	6.3	7881	113.72	50	0.95	GR149 GRF149	6P	7.0	7152	103.20	51	1.05	8.1	6147	88.70	53	1.20	5.5	9065	174.40	41	0.85	6.1	8125	156.31	49	0.95	6.8	7335	141.12	51	1.05	7.5	6663	128.18	53	1.15	8.4	5911	113.72	54	1.30	9.3	5364	103.20	55	1.40	6.5	7714	222.60	50	1.00	7.6	6530	188.45	53	1.15	8.3	6043	174.40	54	1.25	9.2	5416	156.31	55	1.40	10	4890	141.12	55	1.55	11	4442	128.18	56	1.70	13	3941	113.72	56	1.90	20	2547	73.49	57	3.00	22	2259	65.20	58	3.30	24	2050	59.17	58	3.70	28	1762	50.86	58	4.30	11	4424	127.68	26	0.90	12	4007	115.63	28	1.00	14	3553	102.53	30	1.15	16	3212	92.70	32	1.25	18	2723	78.57	32	1.50	20	2525	72.88	31	1.60	22	2273	65.60	30	1.80	24	2059	59.41	30	1.95	27	1825	52.68	29	2.20	30	1650	47.63	28	2.50	36	1399	40.37	27	2.90	20	2501	72.17	21	1.15	22	2260	65.21	23	1.25	24	2076	59.92	23	1.35	27	1844	53.21	22	1.55	30	1649	47.58	22	1.70	34	1482	42.78	21	1.90	39	1287	37.13	21	2.20	43	1152	33.25	20	2.40	52	956	27.58	19	2.60	45	1111	32.05	20	2.20	53	942	27.19	19	2.60	58	867	25.03	19	3.10	64	775	22.37	18	3.30	71	698	20.14	17	3.50	79	632	18.24	17	3.70	89	560	16.17	16	4.00	30	1656	47.79	15	0.90	34	1453	41.92	16	1.00	39	1282	37.00	16	1.15	44	1137	32.80	16	1.30	51	970	28.00	15	1.45	52	969	27.96	15	1.50	61	815	23.51	15	1.80	67	748	21.60	14	1.90	75	665	19.18	14	2.00	84	594	17.15	14	2.20	93	534	15.42	13	2.40	108	464	13.38	13	2.60	120	415	11.98	12	2.80	145	344	9.94	12	3.20	157	317	9.15	12	3.60	175	285	8.23	11	3.80	202	247	7.14	11	4.10	77	651	18.80	8.8	1.15	81	617	17.82	8.9	1.20	92	541	15.60	8.7	1.30	102	487	14.05	8.5	1.40	117	427	12.33	8.3	1.50	132	377	10.88	8.0	1.65	149	334	9.64	7.8	1.80	168	298	8.59	7.7	2.00	186	268	7.74	7.5	2.20	212	235
2.2	21595	656	114	0.85	GR169R99 GRF169R99	4P	11	4424	127.68			26	0.90	GR109 GRF109	4P																																																																																																																																																																																																																																																																																																																																																																																																																																																																																																																																																																																																																																																																																																																																																						
2.5	19060	579	114	0.95			2.9	16558	503			114	1.05			3.3					14221	432	114			1.25	3.8					12411					377					114					1.45					4.3		11028	335		114		1.60	4.8		9975	303	114	1.80	5.2	9184	279	114	1.95	3.1	15209	462	42	0.85	3.4	14024	426	55	0.90	3.9	12114	368	61	1.10	GR149R89 GRF149R89	4P	16	3212	92.70	32	1.25	GR99 GRF99	4P	4.4	10732	326	63	1.25	5.1	9217	280	65	1.40			5.8	8131	247								67	1.60	6.7	7045					214	68		1.90	7.6							6222			189									68			2.15	3.7	13450	194.08	128	2.50	4.0	12328	177.89	128	2.75	4.6	10739	154.96	128	3.05	3.1	15920	229.71	114	1.05	3.9	12955	186.93	114	1.30	GR179 GRF179	8P	17	2881	83.15	17	1.00	GR99 GRF99	4P	4.7	10608	153.07			114	1.60	5.1	9701	139.98					114	1.75	5.9					8442	121.81	114		2.00	4.4				11318	163.31	61		1.10	4.9				10181	146.91	63							1.20	GR169 GRF169			8P	6.0							8307	119.86	66	1.45	6.6			7576			109.31			67					1.60	5.9	8489	163.31	66	1.45	6.5	7636	146.91					67	1.60	8.0	6230	119.86	68	2.00	GR99 GRF99	4P					8.8			5682	109.31	69	2.20	10	4917					94.60			69	2.50			12	4339			83.47	70	2.80			5.6	8883	128.18	42	0.85	6.3			7881	113.72	50			0.95	GR149 GRF149	6P	7.0	7152	103.20			51	1.05	8.1			6147	88.70			53	1.20	5.5	9065	174.40	41	0.85			6.1	8125	156.31	49	0.95	6.8	7335	141.12	51	1.05	7.5			6663	128.18	53	1.15	8.4	5911	113.72			54	1.30	9.3	5364	103.20	55	1.40	6.5	7714	222.60	50	1.00	7.6	6530	188.45	53	1.15	8.3	6043	174.40	54	1.25	9.2	5416	156.31	55	1.40	10	4890	141.12	55	1.55	11	4442	128.18	56	1.70	13	3941	113.72	56	1.90	20	2547	73.49	57	3.00	22	2259	65.20	58	3.30	24	2050	59.17	58	3.70	28	1762	50.86	58	4.30	11	4424	127.68	26	0.90	12	4007	115.63	28	1.00	14	3553	102.53	30	1.15	16	3212	92.70	32	1.25	18	2723	78.57	32	1.50	20	2525	72.88	31	1.60	22	2273	65.60	30	1.80	24	2059	59.41	30	1.95	27	1825	52.68	29	2.20	30	1650	47.63	28	2.50	36	1399	40.37	27	2.90	20	2501	72.17	21	1.15	22	2260	65.21	23	1.25	24	2076	59.92	23	1.35	27	1844	53.21	22	1.55	30	1649	47.58	22	1.70	34	1482	42.78	21	1.90	39	1287	37.13	21	2.20	43	1152	33.25	20	2.40	52	956	27.58	19	2.60	45	1111	32.05	20	2.20	53	942	27.19	19	2.60	58	867	25.03	19	3.10	64	775	22.37	18	3.30	71	698	20.14	17	3.50	79	632	18.24	17	3.70	89	560	16.17	16	4.00	30	1656	47.79	15	0.90	34	1453	41.92	16	1.00	39	1282	37.00	16	1.15	44	1137	32.80	16	1.30	51	970	28.00	15	1.45	52	969	27.96	15	1.50	61	815	23.51	15	1.80	67	748	21.60	14	1.90	75	665	19.18	14	2.00	84	594	17.15	14	2.20	93	534	15.42	13	2.40	108	464	13.38	13	2.60	120	415	11.98	12	2.80	145	344	9.94	12	3.20	157	317	9.15	12	3.60	175	285	8.23	11	3.80	202	247	7.14	11	4.10	77	651	18.80	8.8	1.15	81	617	17.82	8.9	1.20	92	541	15.60	8.7	1.30	102	487	14.05	8.5	1.40	117	427	12.33	8.3	1.50	132	377	10.88	8.0	1.65	149	334	9.64	7.8	1.80	168	298	8.59	7.7	2.00	186	268	7.74	7.5	2.20	212	235	6.79	7.2	2.30	240	208	5.99	7.0	2.50	271	184	5.31	6.7	2.60																				
2.9	16558	503	114	1.05			3.3	14221	432			114	1.25			3.8					12411	377	114			1.45	4.3					11028					335					114					1.60		4.8	9975		303		114	1.80		5.2	9184	279	114	1.95	3.1	15209	462	42	0.85	3.4	14024	426	55	0.90	3.9	12114	368	61	1.10	GR149R89 GRF149R89	4P	16	3212	92.70	32	1.25	GR99 GRF99	4P			4.4	10732	326	63	1.25			5.1	9217	280	65	1.40	5.8	8131	247	67	1.60			6.7	7045	214							68	1.90	7.6	6222	189	68				2.15	3.7		13450	194.08		128	2.50				4.0			12328									177.89			128	2.75	4.6	10739	154.96	128	3.05	3.1	15920	229.71	114	1.05	3.9	12955	186.93	114	1.30	GR179 GRF179	8P	17	2881	83.15	17	1.00	GR99 GRF99	4P			4.7	10608	153.07	114	1.60			5.1	9701	139.98	114	1.75	5.9	8442	121.81	114	2.00			4.4	11318	163.31	61	1.10					4.9	10181	146.91		63	1.20				GR169 GRF169	8P	6.0		8307	119.86				66	1.45	6.6		7576	109.31				67					1.60							5.9	8489	163.31	66	1.45			6.5			7636			146.91	67	1.60			8.0	6230	119.86	68	2.00	GR99 GRF99	4P	8.8	5682					109.31	69	2.20	10	4917	94.60	69							2.50	12	4339	83.47	70	2.80	5.6	8883	128.18					42			0.85	6.3			7881	113.72			50	0.95	GR149 GRF149			6P	7.0	7152	103.20	51	1.05			8.1	6147	88.70			53			1.20	5.5	9065			174.40	41	0.85			6.1	8125			156.31	49	0.95	6.8	7335	141.12	51			1.05	7.5	6663	128.18	53	1.15	8.4	5911	113.72	54	1.30			9.3	5364	103.20	55	1.40	6.5	7714			222.60	50	1.00	7.6	6530	188.45	53	1.15	8.3	6043	174.40	54	1.25	9.2	5416	156.31	55	1.40	10	4890	141.12	55	1.55	11	4442	128.18	56	1.70	13	3941	113.72	56	1.90	20	2547	73.49	57	3.00	22	2259	65.20	58	3.30	24	2050	59.17	58	3.70	28	1762	50.86	58	4.30	11	4424	127.68	26	0.90	12	4007	115.63	28	1.00	14	3553	102.53	30	1.15	16	3212	92.70	32	1.25	18	2723	78.57	32	1.50	20	2525	72.88	31	1.60	22	2273	65.60	30	1.80	24	2059	59.41	30	1.95	27	1825	52.68	29	2.20	30	1650	47.63	28	2.50	36	1399	40.37	27	2.90	20	2501	72.17	21	1.15	22	2260	65.21	23	1.25	24	2076	59.92	23	1.35	27	1844	53.21	22	1.55	30	1649	47.58	22	1.70	34	1482	42.78	21	1.90	39	1287	37.13	21	2.20	43	1152	33.25	20	2.40	52	956	27.58	19	2.60	45	1111	32.05	20	2.20	53	942	27.19	19	2.60	58	867	25.03	19	3.10	64	775	22.37	18	3.30	71	698	20.14	17	3.50	79	632	18.24	17	3.70	89	560	16.17	16	4.00	30	1656	47.79	15	0.90	34	1453	41.92	16	1.00	39	1282	37.00	16	1.15	44	1137	32.80	16	1.30	51	970	28.00	15	1.45	52	969	27.96	15	1.50	61	815	23.51	15	1.80	67	748	21.60	14	1.90	75	665	19.18	14	2.00	84	594	17.15	14	2.20	93	534	15.42	13	2.40	108	464	13.38	13	2.60	120	415	11.98	12	2.80	145	344	9.94	12	3.20	157	317	9.15	12	3.60	175	285	8.23	11	3.80	202	247	7.14	11	4.10	77	651	18.80	8.8	1.15	81	617	17.82	8.9	1.20	92	541	15.60	8.7	1.30	102	487	14.05	8.5	1.40	117	427	12.33	8.3	1.50	132	377	10.88	8.0	1.65	149	334	9.64	7.8	1.80	168	298	8.59	7.7	2.00	186	268	7.74	7.5	2.20	212	235	6.79	7.2	2.30	240	208	5.99	7.0	2.50	271	184	5.31	6.7	2.60																													
3.3	14221	432	114	1.25			3.8	12411	377			114	1.45			4.3					11028	335	114			1.60	4.8					9975					303					114		1.80	5.2		9184		279	114		1.95	3.1	15209	462	42	0.85	3.4	14024	426	55	0.90	3.9	12114	368	61	1.10	GR149R89 GRF149R89	4P	16	3212	92.70	32	1.25	GR99 GRF99	4P			4.4	10732	326	63	1.25					5.1	9217	280	65	1.40			5.8	8131	247	67	1.60	6.7	7045	214	68	1.90			7.6	6222	189						68	2.15	3.7	13450	194.08	128	2.50	4.0			12328	177.89		128	2.75		4.6	10739		154.96	128	3.05			3.1									15920			229.71	114	1.05	3.9	12955	186.93	114	1.30	GR179 GRF179	8P	17	2881	83.15	17	1.00	GR99 GRF99	4P			4.7	10608	153.07	114	1.60					5.1	9701	139.98	114	1.75			5.9	8442	121.81	114	2.00	4.4	11318	163.31	61	1.10	4.9	10181	146.91	63	1.20	GR169 GRF169	8P			6.0	8307	119.86	66	1.45		6.6	7576						109.31		67	1.60				5.9	8489	163.31		66	1.45				6.5					7636	146.91	67					1.60	8.0	6230	119.86	68			2.00			GR99 GRF99			4P	8.8	5682			109.31	69	2.20	10	4917			94.60	69	2.50	12			4339	83.47	70	2.80	5.6	8883	128.18							42	0.85	6.3	7881	113.72	50	0.95	GR149 GRF149	6P					7.0	7152	103.20	51	1.05			8.1	6147			88.70	53					1.20	5.5	9065	174.40	41			0.85	6.1	8125			156.31			49	0.95	6.8			7335	141.12	51			1.05	7.5			6663	128.18	53	1.15	8.4	5911	113.72			54	1.30	9.3	5364	103.20	55	1.40	6.5	7714	222.60	50			1.00	7.6	6530	188.45	53	1.15	8.3			6043	174.40	54	1.25	9.2	5416	156.31	55	1.40	10	4890	141.12	55	1.55	11	4442	128.18	56	1.70	13	3941	113.72	56	1.90	20	2547	73.49	57	3.00	22	2259	65.20	58	3.30	24	2050	59.17	58	3.70	28	1762	50.86	58	4.30	11	4424	127.68	26	0.90	12	4007	115.63	28	1.00	14	3553	102.53	30	1.15	16	3212	92.70	32	1.25	18	2723	78.57	32	1.50	20	2525	72.88	31	1.60	22	2273	65.60	30	1.80	24	2059	59.41	30	1.95	27	1825	52.68	29	2.20	30	1650	47.63	28	2.50	36	1399	40.37	27	2.90	20	2501	72.17	21	1.15	22	2260	65.21	23	1.25	24	2076	59.92	23	1.35	27	1844	53.21	22	1.55	30	1649	47.58	22	1.70	34	1482	42.78	21	1.90	39	1287	37.13	21	2.20	43	1152	33.25	20	2.40	52	956	27.58	19	2.60	45	1111	32.05	20	2.20	53	942	27.19	19	2.60	58	867	25.03	19	3.10	64	775	22.37	18	3.30	71	698	20.14	17	3.50	79	632	18.24	17	3.70	89	560	16.17	16	4.00	30	1656	47.79	15	0.90	34	1453	41.92	16	1.00	39	1282	37.00	16	1.15	44	1137	32.80	16	1.30	51	970	28.00	15	1.45	52	969	27.96	15	1.50	61	815	23.51	15	1.80	67	748	21.60	14	1.90	75	665	19.18	14	2.00	84	594	17.15	14	2.20	93	534	15.42	13	2.40	108	464	13.38	13	2.60	120	415	11.98	12	2.80	145	344	9.94	12	3.20	157	317	9.15	12	3.60	175	285	8.23	11	3.80	202	247	7.14	11	4.10	77	651	18.80	8.8	1.15	81	617	17.82	8.9	1.20	92	541	15.60	8.7	1.30	102	487	14.05	8.5	1.40	117	427	12.33	8.3	1.50	132	377	10.88	8.0	1.65	149	334	9.64	7.8	1.80	168	298	8.59	7.7	2.00	186	268	7.74	7.5	2.20	212	235	6.79	7.2	2.30	240	208	5.99	7.0	2.50	271	184	5.31	6.7	2.60																																						
3.8	12411	377	114	1.45			4.3	11028	335			114	1.60			4.8					9975	303	114			1.80	5.2					9184					279		114	1.95		3.1		15209	462		42	0.85	3.4	14024	426	55	0.90	3.9	12114	368	61	1.10	GR149R89 GRF149R89	4P	16	3212	92.70	32	1.25	GR99 GRF99	4P			4.4	10732	326	63	1.25					5.1	9217	280	65	1.40					5.8	8131	247	67	1.60			6.7	7045	214	68	1.90	7.6	6222	189	68	2.15			3.7	13450	194.08					128	2.50	4.0	12328	177.89	128	2.75	4.6	10739	154.96		128	3.05		3.1	15920		229.71	114		1.05	3.9	12955	186.93	114	1.30									GR179 GRF179			8P	17	2881	83.15	17	1.00	GR99 GRF99	4P			4.7	10608	153.07	114	1.60					5.1	9701	139.98	114	1.75					5.9	8442	121.81	114	2.00			4.4	11318	163.31	61	1.10	4.9	10181	146.91	63	1.20	GR169 GRF169	8P	6.0	8307	119.86			66	1.45	6.6	7576	109.31	67	1.60		5.9	8489		163.31	66			1.45		6.5	7636				146.91	67	1.60		8.0	6230				119.86					68	2.00	GR99 GRF99					4P	8.8	5682	109.31	69	2.20	10	4917							94.60	69			2.50	12	4339	83.47	70			2.80	5.6	8883	128.18			42	0.85	6.3	7881	113.72	50	0.95			GR149 GRF149	6P			7.0	7152	103.20	51	1.05	8.1	6147							88.70	53	1.20	5.5	9065			174.40	41			0.85	6.1		8125	156.31		49	0.95	6.8	7335	141.12			51	1.05	7.5			6663			128.18	53	1.15			8.4	5911	113.72			54	1.30			9.3	5364	103.20	55	1.40	6.5	7714			222.60	50	1.00	7.6	6530	188.45	53	1.15	8.3	6043	174.40			54	1.25	9.2	5416	156.31	55	1.40			10	4890	141.12	55	1.55	11	4442	128.18	56	1.70	13	3941	113.72	56	1.90	20	2547	73.49	57	3.00	22	2259	65.20	58	3.30	24	2050	59.17	58	3.70	28	1762	50.86	58	4.30	11	4424	127.68	26	0.90	12	4007	115.63	28	1.00	14	3553	102.53	30	1.15	16	3212	92.70	32	1.25	18	2723	78.57	32	1.50	20	2525	72.88	31	1.60	22	2273	65.60	30	1.80	24	2059	59.41	30	1.95	27	1825	52.68	29	2.20	30	1650	47.63	28	2.50	36	1399	40.37	27	2.90	20	2501	72.17	21	1.15	22	2260	65.21	23	1.25	24	2076	59.92	23	1.35	27	1844	53.21	22	1.55	30	1649	47.58	22	1.70	34	1482	42.78	21	1.90	39	1287	37.13	21	2.20	43	1152	33.25	20	2.40	52	956	27.58	19	2.60	45	1111	32.05	20	2.20	53	942	27.19	19	2.60	58	867	25.03	19	3.10	64	775	22.37	18	3.30	71	698	20.14	17	3.50	79	632	18.24	17	3.70	89	560	16.17	16	4.00	30	1656	47.79	15	0.90	34	1453	41.92	16	1.00	39	1282	37.00	16	1.15	44	1137	32.80	16	1.30	51	970	28.00	15	1.45	52	969	27.96	15	1.50	61	815	23.51	15	1.80	67	748	21.60	14	1.90	75	665	19.18	14	2.00	84	594	17.15	14	2.20	93	534	15.42	13	2.40	108	464	13.38	13	2.60	120	415	11.98	12	2.80	145	344	9.94	12	3.20	157	317	9.15	12	3.60	175	285	8.23	11	3.80	202	247	7.14	11	4.10	77	651	18.80	8.8	1.15	81	617	17.82	8.9	1.20	92	541	15.60	8.7	1.30	102	487	14.05	8.5	1.40	117	427	12.33	8.3	1.50	132	377	10.88	8.0	1.65	149	334	9.64	7.8	1.80	168	298	8.59	7.7	2.00	186	268	7.74	7.5	2.20	212	235	6.79	7.2	2.30	240	208	5.99	7.0	2.50	271	184	5.31	6.7	2.60																																															
4.3	11028	335	114	1.60			4.8	9975	303			114	1.80			5.2					9184	279	114			1.95	3.1					15209		462	42		0.85		3.4	14024		426	55	0.90	3.9	12114	368	61	1.10	GR149R89 GRF149R89	4P	16	3212	92.70	32	1.25	GR99 GRF99	4P			4.4	10732	326	63	1.25					5.1	9217	280	65	1.40					5.8	8131	247	67	1.60					6.7	7045	214	68	1.90			7.6	6222	189	68	2.15	3.7	13450	194.08	128	2.50			4.0	12328	177.89				128	2.75	4.6	10739	154.96	128	3.05	3.1	15920	229.71	114	1.05	3.9	12955		186.93	114		1.30	GR179 GRF179		8P	17	2881	83.15	17	1.00	GR99 GRF99	4P											4.7	10608	153.07	114	1.60					5.1	9701	139.98	114	1.75					5.9	8442	121.81	114	2.00					4.4	11318	163.31	61	1.10			4.9	10181	146.91	63	1.20	GR169 GRF169	8P	6.0	8307	119.86			66	1.45	6.6			7576	109.31	67	1.60	5.9	8489	163.31	66	1.45	6.5	7636	146.91	67			1.60		8.0	6230		119.86	68	2.00	GR99 GRF99	4P		8.8	5682				109.31					69	2.20							10	4917	94.60	69	2.50	12	4339							83.47	70	2.80	5.6	8883	128.18	42	0.85	6.3			7881	113.72	50	0.95			GR149 GRF149	6P	7.0	7152	103.20	51	1.05							8.1	6147	88.70	53	1.20	5.5	9065			174.40	41			0.85	6.1	8125	156.31	49			0.95	6.8			7335	141.12		51	1.05		7.5	6663	128.18	53	1.15			8.4	5911	113.72	54	1.30	9.3			5364	103.20	55			1.40	6.5	7714			222.60	50			1.00	7.6	6530	188.45	53	1.15	8.3			6043	174.40	54	1.25	9.2	5416	156.31	55	1.40	10	4890			141.12	55	1.55	11	4442	128.18	56			1.70	13	3941	113.72	56	1.90	20	2547	73.49	57	3.00	22	2259	65.20	58	3.30	24	2050	59.17	58	3.70	28	1762	50.86	58	4.30	11	4424	127.68	26	0.90	12	4007	115.63	28	1.00	14	3553	102.53	30	1.15	16	3212	92.70	32	1.25	18	2723	78.57	32	1.50	20	2525	72.88	31	1.60	22	2273	65.60	30	1.80	24	2059	59.41	30	1.95	27	1825	52.68	29	2.20	30	1650	47.63	28	2.50	36	1399	40.37	27	2.90	20	2501	72.17	21	1.15	22	2260	65.21	23	1.25	24	2076	59.92	23	1.35	27	1844	53.21	22	1.55	30	1649	47.58	22	1.70	34	1482	42.78	21	1.90	39	1287	37.13	21	2.20	43	1152	33.25	20	2.40	52	956	27.58	19	2.60	45	1111	32.05	20	2.20	53	942	27.19	19	2.60	58	867	25.03	19	3.10	64	775	22.37	18	3.30	71	698	20.14	17	3.50	79	632	18.24	17	3.70	89	560	16.17	16	4.00	30	1656	47.79	15	0.90	34	1453	41.92	16	1.00	39	1282	37.00	16	1.15	44	1137	32.80	16	1.30	51	970	28.00	15	1.45	52	969	27.96	15	1.50	61	815	23.51	15	1.80	67	748	21.60	14	1.90	75	665	19.18	14	2.00	84	594	17.15	14	2.20	93	534	15.42	13	2.40	108	464	13.38	13	2.60	120	415	11.98	12	2.80	145	344	9.94	12	3.20	157	317	9.15	12	3.60	175	285	8.23	11	3.80	202	247	7.14	11	4.10	77	651	18.80	8.8	1.15	81	617	17.82	8.9	1.20	92	541	15.60	8.7	1.30	102	487	14.05	8.5	1.40	117	427	12.33	8.3	1.50	132	377	10.88	8.0	1.65	149	334	9.64	7.8	1.80	168	298	8.59	7.7	2.00	186	268	7.74	7.5	2.20	212	235	6.79	7.2	2.30	240	208	5.99	7.0	2.50	271	184	5.31	6.7	2.60																																																								
4.8	9975	303	114	1.80			5.2	9184	279			114	1.95			3.1					15209	462	42			0.85	3.4		14024	426		55		0.90	3.9		12114	368	61	1.10	GR149R89 GRF149R89	4P	16	3212	92.70	32	1.25	GR99 GRF99	4P			4.4	10732	326	63	1.25					5.1	9217	280	65	1.40					5.8	8131	247	67	1.60					6.7	7045	214	68	1.90					7.6	6222	189	68	2.15			3.7	13450	194.08	128	2.50	4.0	12328	177.89	128	2.75			4.6	10739	154.96			128	3.05	3.1	15920	229.71	114	1.05	3.9	12955	186.93	114	1.30	GR179 GRF179	8P	17	2881	83.15	17		1.00				GR99 GRF99	4P	4.7	10608	153.07				114	1.60								5.1	9701	139.98	114	1.75					5.9	8442	121.81	114	2.00					4.4	11318	163.31	61	1.10					4.9	10181	146.91	63	1.20			GR169 GRF169	8P	6.0	8307	119.86			66	1.45	6.6			7576	109.31	67			1.60	5.9	8489	163.31	66	1.45	6.5	7636	146.91	67	1.60	8.0	6230			119.86	68	2.00	GR99 GRF99	4P	8.8	5682	109.31				69	2.20		10	4917	94.60					69	2.50							12	4339	83.47	70	2.80	5.6	8883							128.18	42	0.85	6.3	7881	113.72	50	0.95	GR149 GRF149			6P	7.0	7152	103.20	51	1.05			8.1	6147	88.70	53	1.20							5.5	9065	174.40	41	0.85	6.1	8125			156.31	49			0.95	6.8	7335	141.12	51			1.05	7.5	6663	128.18	53	1.15		8.4	5911		113.72	54	1.30	9.3	5364			103.20	55	1.40	6.5	7714	222.60			50	1.00	7.6			6530	188.45	53	1.15	8.3	6043	174.40			54	1.25	9.2	5416	156.31	55	1.40			10	4890	141.12	55	1.55	11	4442	128.18	56	1.70	13			3941	113.72	56	1.90	20	2547	73.49			57	3.00	22	2259	65.20	58	3.30	24	2050	59.17	58	3.70	28	1762	50.86	58	4.30	11	4424	127.68	26	0.90	12	4007	115.63	28	1.00	14	3553	102.53	30	1.15	16	3212	92.70	32	1.25	18	2723	78.57	32	1.50	20	2525	72.88	31	1.60	22	2273	65.60	30	1.80	24	2059	59.41	30	1.95	27	1825	52.68	29	2.20	30	1650	47.63	28	2.50	36	1399	40.37	27	2.90	20	2501	72.17	21	1.15	22	2260	65.21	23	1.25	24	2076	59.92	23	1.35	27	1844	53.21	22	1.55	30	1649	47.58	22	1.70	34	1482	42.78	21	1.90	39	1287	37.13	21	2.20	43	1152	33.25	20	2.40	52	956	27.58	19	2.60	45	1111	32.05	20	2.20	53	942	27.19	19	2.60	58	867	25.03	19	3.10	64	775	22.37	18	3.30	71	698	20.14	17	3.50	79	632	18.24	17	3.70	89	560	16.17	16	4.00	30	1656	47.79	15	0.90	34	1453	41.92	16	1.00	39	1282	37.00	16	1.15	44	1137	32.80	16	1.30	51	970	28.00	15	1.45	52	969	27.96	15	1.50	61	815	23.51	15	1.80	67	748	21.60	14	1.90	75	665	19.18	14	2.00	84	594	17.15	14	2.20	93	534	15.42	13	2.40	108	464	13.38	13	2.60	120	415	11.98	12	2.80	145	344	9.94	12	3.20	157	317	9.15	12	3.60	175	285	8.23	11	3.80	202	247	7.14	11	4.10	77	651	18.80	8.8	1.15	81	617	17.82	8.9	1.20	92	541	15.60	8.7	1.30	102	487	14.05	8.5	1.40	117	427	12.33	8.3	1.50	132	377	10.88	8.0	1.65	149	334	9.64	7.8	1.80	168	298	8.59	7.7	2.00	186	268	7.74	7.5	2.20	212	235	6.79	7.2	2.30	240	208	5.99	7.0	2.50	271	184	5.31	6.7	2.60																																																																	
5.2	9184	279	114	1.95			3.1	15209	462			42	0.85			3.4					14024	426	55	0.90	3.9	12114	368		61	1.10		GR149R89 GRF149R89	4P	16	3212	92.70	32	1.25	GR99 GRF99	4P			4.4	10732	326	63	1.25					5.1	9217	280	65	1.40					5.8	8131	247	67	1.60					6.7	7045	214	68	1.90					7.6	6222	189	68	2.15					3.7	13450	194.08	128	2.50			4.0	12328	177.89	128	2.75	4.6	10739	154.96	128	3.05			3.1	15920	229.71		114	1.05	3.9	12955	186.93	114	1.30	GR179 GRF179	8P	17	2881	83.15	17			1.00	GR99 GRF99	4P	4.7	10608	153.07						114	1.60	5.1				9701	139.98		114	1.75					5.9	8442	121.81	114	2.00					4.4	11318	163.31	61	1.10					4.9	10181	146.91	63	1.20					GR169 GRF169	8P	6.0	8307	119.86					66	1.45	6.6			7576	109.31	67			1.60	5.9	8489			163.31	66	1.45	6.5	7636	146.91	67	1.60	8.0	6230	119.86	68	2.00			GR99 GRF99	4P	8.8			5682	109.31	69			2.20	10	4917	94.60	69	2.50	12					4339	83.47			70	2.80			5.6	8883	128.18	42	0.85	6.3	7881							113.72	50	0.95	GR149 GRF149	6P	7.0	7152	103.20					51	1.05	8.1	6147	88.70			53	1.20	5.5	9065	174.40					41	0.85	6.1	8125	156.31	49	0.95	6.8	7335			141.12	51			1.05	7.5	6663	128.18	53			1.15	8.4	5911	113.72	54	1.30		9.3	5364		103.20	55	1.40	6.5	7714	222.60	50	1.00	7.6	6530	188.45	53	1.15			8.3	6043	174.40			54	1.25	9.2	5416	156.31	55	1.40			10	4890	141.12	55	1.55	11	4442	128.18	56	1.70	13	3941	113.72	56	1.90	20	2547	73.49	57	3.00			22	2259	65.20	58	3.30	24	2050			59.17	58	3.70	28	1762	50.86	58	4.30	11	4424	127.68	26	0.90	12	4007	115.63	28	1.00	14	3553	102.53	30	1.15	16	3212	92.70	32	1.25	18	2723	78.57	32	1.50	20	2525	72.88	31	1.60	22	2273	65.60	30	1.80	24	2059	59.41	30	1.95	27	1825	52.68	29	2.20	30	1650	47.63	28	2.50	36	1399	40.37	27	2.90	20	2501	72.17	21	1.15	22	2260	65.21	23	1.25	24	2076	59.92	23	1.35	27	1844	53.21	22	1.55	30	1649	47.58	22	1.70	34	1482	42.78	21	1.90	39	1287	37.13	21	2.20	43	1152	33.25	20	2.40	52	956	27.58	19	2.60	45	1111	32.05	20	2.20	53	942	27.19	19	2.60	58	867	25.03	19	3.10	64	775	22.37	18	3.30	71	698	20.14	17	3.50	79	632	18.24	17	3.70	89	560	16.17	16	4.00	30	1656	47.79	15	0.90	34	1453	41.92	16	1.00	39	1282	37.00	16	1.15	44	1137	32.80	16	1.30	51	970	28.00	15	1.45	52	969	27.96	15	1.50	61	815	23.51	15	1.80	67	748	21.60	14	1.90	75	665	19.18	14	2.00	84	594	17.15	14	2.20	93	534	15.42	13	2.40	108	464	13.38	13	2.60	120	415	11.98	12	2.80	145	344	9.94	12	3.20	157	317	9.15	12	3.60	175	285	8.23	11	3.80	202	247	7.14	11	4.10	77	651	18.80	8.8	1.15	81	617	17.82	8.9	1.20	92	541	15.60	8.7	1.30	102	487	14.05	8.5	1.40	117	427	12.33	8.3	1.50	132	377	10.88	8.0	1.65	149	334	9.64	7.8	1.80	168	298	8.59	7.7	2.00	186	268	7.74	7.5	2.20	212	235	6.79	7.2	2.30	240	208	5.99	7.0	2.50	271	184	5.31	6.7	2.60																																																																										
3.1	15209	462	42	0.85			3.4	14024	426			55	0.90			3.9			12114	368	61	1.10	GR149R89 GRF149R89	4P	16	3212	92.70	32	1.25	GR99 GRF99	4P			4.4	10732	326	63	1.25					5.1	9217	280	65	1.40					5.8	8131	247	67	1.60					6.7	7045	214	68	1.90					7.6	6222	189	68	2.15					3.7	13450	194.08	128	2.50					4.0	12328	177.89	128	2.75			4.6	10739	154.96	128	3.05	3.1	15920	229.71	114	1.05			3.9	12955	186.93	114	1.30	GR179 GRF179	8P	17	2881	83.15	17			1.00	GR99 GRF99	4P	4.7			10608			153.07	114	1.60		5.1				9701	139.98	114				1.75	5.9		8442	121.81		114	2.00		4.4	11318	163.31	61	1.10					4.9	10181	146.91	63	1.20					GR169 GRF169	8P	6.0	8307	119.86							66	1.45	6.6					7576	109.31	67			1.60	5.9	8489			163.31	66	1.45			6.5	7636	146.91	67	1.60	8.0	6230	119.86	68	2.00	GR99 GRF99	4P	8.8					5682			109.31	69	2.20			10	4917	94.60	69	2.50	12	4339			83.47		70	2.80		5.6	8883	128.18			42	0.85	6.3	7881	113.72	50	0.95	GR149 GRF149	6P					7.0	7152	103.20			51	1.05	8.1					6147	88.70	53	1.20	5.5			9065	174.40	41	0.85	6.1					8125	156.31	49	0.95	6.8	7335	141.12	51	1.05			7.5	6663	128.18	53	1.15	8.4	5911	113.72	54			1.30	9.3	5364	103.20	55	1.40		6.5	7714		222.60	50	1.00	7.6	6530	188.45	53	1.15	8.3	6043	174.40	54	1.25			9.2	5416	156.31	55	1.40	10	4890	141.12	55	1.55	11	4442			128.18	56	1.70	13	3941	113.72	56	1.90	20	2547	73.49	57	3.00	22	2259	65.20	58	3.30	24	2050	59.17	58	3.70	28	1762	50.86	58	4.30	11			4424	127.68	26	0.90	12	4007	115.63	28	1.00	14	3553	102.53	30	1.15	16	3212	92.70	32	1.25	18	2723	78.57	32	1.50	20	2525	72.88	31	1.60	22	2273	65.60	30	1.80	24	2059	59.41	30	1.95	27	1825	52.68	29	2.20	30	1650	47.63	28	2.50	36	1399	40.37	27	2.90	20	2501	72.17	21	1.15	22	2260	65.21	23	1.25	24	2076	59.92	23	1.35	27	1844	53.21	22	1.55	30	1649	47.58	22	1.70	34	1482	42.78	21	1.90	39	1287	37.13	21	2.20	43	1152	33.25	20	2.40	52	956	27.58	19	2.60	45	1111	32.05	20	2.20	53	942	27.19	19	2.60	58	867	25.03	19	3.10	64	775	22.37	18	3.30	71	698	20.14	17	3.50	79	632	18.24	17	3.70	89	560	16.17	16	4.00	30	1656	47.79	15	0.90	34	1453	41.92	16	1.00	39	1282	37.00	16	1.15	44	1137	32.80	16	1.30	51	970	28.00	15	1.45	52	969	27.96	15	1.50	61	815	23.51	15	1.80	67	748	21.60	14	1.90	75	665	19.18	14	2.00	84	594	17.15	14	2.20	93	534	15.42	13	2.40	108	464	13.38	13	2.60	120	415	11.98	12	2.80	145	344	9.94	12	3.20	157	317	9.15	12	3.60	175	285	8.23	11	3.80	202	247	7.14	11	4.10	77	651	18.80	8.8	1.15	81	617	17.82	8.9	1.20	92	541	15.60	8.7	1.30	102	487	14.05	8.5	1.40	117	427	12.33	8.3	1.50	132	377	10.88	8.0	1.65	149	334	9.64	7.8	1.80	168	298	8.59	7.7	2.00	186	268	7.74	7.5	2.20	212	235	6.79	7.2	2.30	240	208	5.99	7.0	2.50	271	184	5.31	6.7	2.60																																																																																			
3.4	14024	426	55	0.90			3.9	12114	368	61	1.10	GR149R89 GRF149R89	4P			16	3212	92.70	32	1.25	GR99 GRF99	4P			4.4	10732	326	63	1.25					5.1	9217	280	65	1.40					5.8	8131	247	67	1.60					6.7	7045	214	68	1.90					7.6	6222	189	68	2.15					3.7	13450	194.08	128	2.50					4.0	12328	177.89	128	2.75					4.6	10739	154.96	128	3.05			3.1	15920	229.71	114	1.05	3.9	12955	186.93	114	1.30	GR179 GRF179	8P	17	2881	83.15	17	1.00			GR99 GRF99	4P	4.7	10608			153.07			114			1.60			5.1	9701	139.98		114				1.75	5.9	8442			121.81	114	2.00	4.4	11318	163.31		61	1.10		4.9	10181	146.91	63	1.20					GR169 GRF169	8P	6.0	8307	119.86							66	1.45	6.6							7576	109.31	67					1.60	5.9	8489			163.31	66	1.45			6.5	7636	146.91			67	1.60	8.0	6230	119.86	68	2.00	GR99 GRF99	4P	8.8			5682					109.31			69	2.20	10			4917	94.60	69	2.50	12	4339	83.47		70	2.80		5.6	8883		128.18	42	0.85	6.3		7881	113.72	50	0.95	GR149 GRF149	6P	7.0				7152	103.20		51	1.05	8.1			6147	88.70	53					1.20	5.5	9065	174.40	41			0.85	6.1	8125	156.31	49					0.95	6.8	7335	141.12	51	1.05	7.5	6663	128.18			53	1.15	8.4	5911	113.72	54	1.30	9.3	5364	103.20	55	1.40	6.5	7714	222.60	50	1.00		7.6	6530		188.45	53	1.15	8.3	6043	174.40	54	1.25	9.2	5416	156.31	55	1.40			10	4890	141.12	55	1.55	11	4442	128.18	56	1.70	13	3941	113.72	56	1.90	20	2547	73.49	57	3.00	22	2259	65.20	58	3.30	24	2050	59.17	58	3.70	28	1762	50.86	58	4.30	11	4424	127.68	26	0.90	12	4007	115.63	28	1.00	14	3553	102.53	30	1.15	16	3212	92.70	32	1.25	18	2723	78.57	32	1.50	20	2525	72.88	31	1.60	22	2273	65.60	30	1.80	24	2059	59.41	30	1.95	27	1825	52.68	29	2.20	30	1650	47.63	28	2.50	36	1399	40.37	27	2.90	20	2501	72.17	21	1.15	22	2260	65.21	23	1.25	24	2076	59.92	23	1.35	27	1844	53.21	22	1.55	30	1649	47.58	22	1.70	34	1482	42.78	21	1.90	39	1287	37.13	21	2.20	43	1152	33.25	20	2.40	52	956	27.58	19	2.60	45	1111	32.05	20	2.20	53	942	27.19	19	2.60	58	867	25.03	19	3.10	64	775	22.37	18	3.30	71	698	20.14	17	3.50	79	632	18.24	17	3.70	89	560	16.17	16	4.00	30	1656	47.79	15	0.90	34	1453	41.92	16	1.00	39	1282	37.00	16	1.15	44	1137	32.80	16	1.30	51	970	28.00	15	1.45	52	969	27.96	15	1.50	61	815	23.51	15	1.80	67	748	21.60	14	1.90	75	665	19.18	14	2.00	84	594	17.15	14	2.20	93	534	15.42	13	2.40	108	464	13.38	13	2.60	120	415	11.98	12	2.80	145	344	9.94	12	3.20	157	317	9.15	12	3.60	175	285	8.23	11	3.80	202	247	7.14	11	4.10	77	651	18.80	8.8	1.15	81	617	17.82	8.9	1.20	92	541	15.60	8.7	1.30	102	487	14.05	8.5	1.40	117	427	12.33	8.3	1.50	132	377	10.88	8.0	1.65	149	334	9.64	7.8	1.80	168	298	8.59	7.7	2.00	186	268	7.74	7.5	2.20	212	235	6.79	7.2	2.30	240	208	5.99	7.0	2.50	271	184	5.31	6.7	2.60																																																																																												
3.9	12114	368	61	1.10	GR149R89 GRF149R89	4P	16	3212	92.70	32	1.25			GR99 GRF99	4P																																																																																																																																																																																																																																																																																																																																																																																																																																																																																																																																																																																																																																																																																																																																																						
4.4	10732	326	63	1.25			5.1	9217	280	65	1.40					5.8	8131	247	67	1.60					6.7	7045	214	68	1.90					7.6	6222	189	68	2.15					3.7	13450	194.08	128	2.50					4.0	12328	177.89	128	2.75					4.6	10739	154.96	128	3.05					3.1	15920	229.71	114	1.05					3.9	12955	186.93	114	1.30			GR179 GRF179	8P	17	2881	83.15	17	1.00	GR99 GRF99	4P	4.7	10608	153.07	114	1.60	5.1	9701	139.98	114	1.75			5.9	8442	121.81	114	2.00					4.4	11318			163.31			61			1.10			4.9	10181	146.91		63				1.20	GR169 GRF169	8P			6.0	8307	119.86	66	1.45	6.6		7576	109.31		67	1.60	5.9	8489	163.31							66	1.45	6.5							7636	146.91	67			1.60	8.0			6230	119.86	68	2.00	GR99 GRF99			4P	8.8	5682			109.31	69	2.20			10	4917	94.60			69	2.50	12	4339	83.47	70	2.80			5.6			8883					128.18			42	0.85	6.3			7881	113.72	50	0.95	GR149 GRF149	6P	7.0	7152	103.20	51	1.05	8.1	6147		88.70	53	1.20	5.5		9065	174.40	41	0.85			6.1				8125	156.31		49	0.95	6.8			7335	141.12	51					1.05	7.5	6663	128.18	53			1.15	8.4	5911	113.72	54	1.30	9.3			5364	103.20	55	1.40	6.5	7714	222.60	50	1.00			7.6	6530	188.45	53	1.15	8.3	6043	174.40	54	1.25	9.2	5416	156.31	55	1.40	10	4890		141.12	55		1.55	11	4442	128.18	56	1.70	13	3941	113.72	56	1.90	20	2547	73.49	57	3.00	22	2259	65.20	58	3.30	24	2050	59.17	58	3.70	28	1762	50.86	58	4.30	11	4424	127.68	26	0.90	12	4007	115.63	28	1.00	14	3553	102.53	30	1.15	16	3212	92.70	32	1.25	18	2723	78.57	32	1.50	20	2525	72.88	31	1.60	22	2273	65.60	30	1.80	24	2059	59.41	30	1.95	27	1825	52.68	29	2.20	30	1650	47.63	28	2.50	36	1399	40.37	27	2.90	20	2501	72.17	21	1.15	22	2260	65.21	23	1.25	24	2076	59.92	23	1.35	27	1844	53.21	22	1.55	30	1649	47.58	22	1.70	34	1482	42.78	21	1.90	39	1287	37.13	21	2.20	43	1152	33.25	20	2.40	52	956	27.58	19	2.60	45	1111	32.05	20	2.20	53	942	27.19	19	2.60	58	867	25.03	19	3.10	64	775	22.37	18	3.30	71	698	20.14	17	3.50	79	632	18.24	17	3.70	89	560	16.17	16	4.00	30	1656	47.79	15	0.90	34	1453	41.92	16	1.00	39	1282	37.00	16	1.15	44	1137	32.80	16	1.30	51	970	28.00	15	1.45	52	969	27.96	15	1.50	61	815	23.51	15	1.80	67	748	21.60	14	1.90	75	665	19.18	14	2.00	84	594	17.15	14	2.20	93	534	15.42	13	2.40	108	464	13.38	13	2.60	120	415	11.98	12	2.80	145	344	9.94	12	3.20	157	317	9.15	12	3.60	175	285	8.23	11	3.80	202	247	7.14	11	4.10	77	651	18.80	8.8	1.15	81	617	17.82	8.9	1.20	92	541	15.60	8.7	1.30	102	487	14.05	8.5	1.40	117	427	12.33	8.3	1.50	132	377	10.88	8.0	1.65	149	334	9.64	7.8	1.80	168	298	8.59	7.7	2.00	186	268	7.74	7.5	2.20	212	235	6.79	7.2	2.30	240	208	5.99	7.0	2.50	271	184	5.31	6.7	2.60																																																																																																															
5.1	9217	280	65	1.40			5.8	8131	247	67	1.60					6.7	7045	214	68	1.90					7.6	6222	189	68	2.15					3.7	13450	194.08	128	2.50					4.0	12328	177.89	128	2.75					4.6	10739	154.96	128	3.05					3.1	15920	229.71	114	1.05					3.9	12955	186.93	114	1.30			GR179 GRF179	8P	17	2881	83.15	17	1.00	GR99 GRF99	4P			4.7	10608	153.07	114	1.60			5.1	9701	139.98	114	1.75	5.9	8442	121.81	114	2.00			4.4	11318	163.31	61	1.10					4.9	10181			146.91			63			1.20			GR169 GRF169	8P	6.0		8307				119.86					66	1.45	6.6	7576	109.31	67		1.60	5.9		8489	163.31	66	1.45	6.5							7636	146.91	67			1.60	8.0			6230	119.86	68	2.00	GR99 GRF99	4P	8.8			5682	109.31	69	2.20					10	4917			94.60	69	2.50			12	4339	83.47			70	2.80	5.6	8883	128.18	42	0.85			6.3			7881	113.72	50			0.95			GR149 GRF149	6P	7.0			7152	103.20	51	1.05			8.1	6147	88.70	53	1.20	5.5	9065		174.40	41	0.85	6.1		8125	156.31	49	0.95			6.8				7335	141.12		51	1.05	7.5			6663	128.18	53		1.15	8.4		5911	113.72	54	1.30	9.3			5364	103.20	55	1.40	6.5	7714	222.60			50	1.00	7.6	6530	188.45	53	1.15	8.3	6043			174.40	54	1.25	9.2	5416	156.31	55	1.40	10	4890	141.12	55	1.55	11	4442	128.18	56	1.70	13	3941	113.72	56	1.90	20	2547	73.49	57	3.00	22	2259	65.20	58	3.30	24	2050	59.17	58	3.70	28	1762	50.86	58	4.30	11	4424	127.68	26	0.90	12	4007	115.63	28	1.00	14	3553	102.53	30	1.15	16	3212	92.70	32	1.25	18	2723	78.57	32	1.50	20	2525	72.88	31	1.60	22	2273	65.60	30	1.80	24	2059	59.41	30	1.95	27	1825	52.68	29	2.20	30	1650	47.63	28	2.50	36	1399	40.37	27	2.90	20	2501	72.17	21	1.15	22	2260	65.21	23	1.25	24	2076	59.92	23	1.35	27	1844	53.21	22	1.55	30	1649	47.58	22	1.70	34	1482	42.78	21	1.90	39	1287	37.13	21	2.20	43	1152	33.25	20	2.40	52	956	27.58	19	2.60	45	1111	32.05	20	2.20	53	942	27.19	19	2.60	58	867	25.03	19	3.10	64	775	22.37	18	3.30	71	698	20.14	17	3.50	79	632	18.24	17	3.70	89	560	16.17	16	4.00	30	1656	47.79	15	0.90	34	1453	41.92	16	1.00	39	1282	37.00	16	1.15	44	1137	32.80	16	1.30	51	970	28.00	15	1.45	52	969	27.96	15	1.50	61	815	23.51	15	1.80	67	748	21.60	14	1.90	75	665	19.18	14	2.00	84	594	17.15	14	2.20	93	534	15.42	13	2.40	108	464	13.38	13	2.60	120	415	11.98	12	2.80	145	344	9.94	12	3.20	157	317	9.15	12	3.60	175	285	8.23	11	3.80	202	247	7.14	11	4.10	77	651	18.80	8.8	1.15	81	617	17.82	8.9	1.20	92	541	15.60	8.7	1.30	102	487	14.05	8.5	1.40	117	427	12.33	8.3	1.50	132	377	10.88	8.0	1.65	149	334	9.64	7.8	1.80	168	298	8.59	7.7	2.00	186	268	7.74	7.5	2.20	212	235	6.79	7.2	2.30	240	208	5.99	7.0	2.50	271	184	5.31	6.7	2.60																																																																																																																								
5.8	8131	247	67	1.60			6.7	7045	214	68	1.90					7.6	6222	189	68	2.15					3.7	13450	194.08	128	2.50					4.0	12328	177.89	128	2.75					4.6	10739	154.96	128	3.05					3.1	15920	229.71	114	1.05					3.9	12955	186.93	114	1.30			GR179 GRF179	8P	17	2881	83.15	17	1.00	GR99 GRF99	4P			4.7	10608	153.07	114	1.60					5.1	9701	139.98	114	1.75			5.9	8442	121.81	114	2.00	4.4	11318	163.31	61	1.10			4.9	10181	146.91	63	1.20					GR169 GRF169	8P			6.0			8307			119.86					66		1.45				6.6					7576	109.31	67	1.60	5.9	8489		163.31	66		1.45	6.5	7636	146.91	67			1.60	8.0			6230	119.86	68	2.00	GR99 GRF99	4P	8.8			5682	109.31	69	2.20			10			4917	94.60	69	2.50					12	4339			83.47	70	2.80			5.6	8883	128.18	42	0.85	6.3	7881	113.72	50	0.95	GR149 GRF149	6P			7.0			7152	103.20	51			1.05					8.1			6147	88.70	53	1.20			5.5	9065	174.40	41	0.85	6.1	8125		156.31	49	0.95	6.8		7335	141.12	51	1.05			7.5			6663	128.18	53	1.15	8.4	5911	113.72			54	1.30	9.3		5364	103.20		55	1.40	6.5	7714	222.60			50	1.00	7.6	6530	188.45	53	1.15			8.3	6043	174.40	54	1.25	9.2	5416	156.31	55	1.40	10	4890	141.12	55	1.55	11	4442	128.18	56	1.70	13	3941	113.72	56	1.90	20	2547	73.49	57	3.00	22	2259	65.20	58	3.30	24	2050	59.17	58	3.70	28	1762	50.86	58	4.30	11	4424	127.68	26	0.90	12	4007	115.63	28	1.00	14	3553	102.53	30	1.15	16	3212	92.70	32	1.25	18	2723	78.57	32	1.50	20	2525	72.88	31	1.60	22	2273	65.60	30	1.80	24	2059	59.41	30	1.95	27	1825	52.68	29	2.20	30	1650	47.63	28	2.50	36	1399	40.37	27	2.90	20	2501	72.17	21	1.15	22	2260	65.21	23	1.25	24	2076	59.92	23	1.35	27	1844	53.21	22	1.55	30	1649	47.58	22	1.70	34	1482	42.78	21	1.90	39	1287	37.13	21	2.20	43	1152	33.25	20	2.40	52	956	27.58	19	2.60	45	1111	32.05	20	2.20	53	942	27.19	19	2.60	58	867	25.03	19	3.10	64	775	22.37	18	3.30	71	698	20.14	17	3.50	79	632	18.24	17	3.70	89	560	16.17	16	4.00	30	1656	47.79	15	0.90	34	1453	41.92	16	1.00	39	1282	37.00	16	1.15	44	1137	32.80	16	1.30	51	970	28.00	15	1.45	52	969	27.96	15	1.50	61	815	23.51	15	1.80	67	748	21.60	14	1.90	75	665	19.18	14	2.00	84	594	17.15	14	2.20	93	534	15.42	13	2.40	108	464	13.38	13	2.60	120	415	11.98	12	2.80	145	344	9.94	12	3.20	157	317	9.15	12	3.60	175	285	8.23	11	3.80	202	247	7.14	11	4.10	77	651	18.80	8.8	1.15	81	617	17.82	8.9	1.20	92	541	15.60	8.7	1.30	102	487	14.05	8.5	1.40	117	427	12.33	8.3	1.50	132	377	10.88	8.0	1.65	149	334	9.64	7.8	1.80	168	298	8.59	7.7	2.00	186	268	7.74	7.5	2.20	212	235	6.79	7.2	2.30	240	208	5.99	7.0	2.50	271	184	5.31	6.7	2.60																																																																																																																																	
6.7	7045	214	68	1.90			7.6	6222	189	68	2.15					3.7	13450	194.08	128	2.50					4.0	12328	177.89	128	2.75					4.6	10739	154.96	128	3.05					3.1	15920	229.71	114	1.05					3.9	12955	186.93	114	1.30			GR179 GRF179	8P	17	2881	83.15	17	1.00	GR99 GRF99	4P			4.7	10608	153.07	114	1.60					5.1	9701	139.98	114	1.75					5.9	8442	121.81	114	2.00			4.4	11318	163.31	61	1.10	4.9	10181	146.91	63	1.20			GR169 GRF169	8P	6.0	8307	119.86									66			1.45			6.6					7576		109.31				67					1.60	5.9	8489	163.31	66	1.45	6.5	7636	146.91	67	1.60	8.0	6230	119.86	68	2.00	GR99 GRF99	4P	8.8			5682	109.31	69	2.20			10			4917	94.60	69	2.50			12			4339	83.47	70	2.80					5.6	8883			128.18	42	0.85	6.3	7881	113.72	50	0.95	GR149 GRF149	6P	7.0	7152	103.20	51	1.05					8.1			6147	88.70	53			1.20					5.5			9065	174.40	41	0.85			6.1	8125	156.31	49	0.95	6.8	7335	141.12	51	1.05	7.5	6663	128.18	53	1.15	8.4	5911			113.72			54	1.30	9.3	5364	103.20	55	1.40			6.5	7714	222.60		50	1.00		7.6	6530	188.45	53	1.15			8.3	6043	174.40	54	1.25	9.2	5416	156.31	55	1.40	10	4890	141.12	55	1.55	11	4442	128.18	56	1.70	13	3941	113.72	56	1.90	20	2547	73.49	57	3.00	22	2259	65.20	58	3.30	24	2050	59.17	58	3.70	28	1762	50.86	58	4.30	11	4424	127.68	26	0.90	12	4007	115.63	28	1.00	14	3553	102.53	30	1.15	16	3212	92.70	32	1.25	18	2723	78.57	32	1.50	20	2525	72.88	31	1.60	22	2273	65.60	30	1.80	24	2059	59.41	30	1.95	27	1825	52.68	29	2.20	30	1650	47.63	28	2.50	36	1399	40.37	27	2.90	20	2501	72.17	21	1.15	22	2260	65.21	23	1.25	24	2076	59.92	23	1.35	27	1844	53.21	22	1.55	30	1649	47.58	22	1.70	34	1482	42.78	21	1.90	39	1287	37.13	21	2.20	43	1152	33.25	20	2.40	52	956	27.58	19	2.60	45	1111	32.05	20	2.20	53	942	27.19	19	2.60	58	867	25.03	19	3.10	64	775	22.37	18	3.30	71	698	20.14	17	3.50	79	632	18.24	17	3.70	89	560	16.17	16	4.00	30	1656	47.79	15	0.90	34	1453	41.92	16	1.00	39	1282	37.00	16	1.15	44	1137	32.80	16	1.30	51	970	28.00	15	1.45	52	969	27.96	15	1.50	61	815	23.51	15	1.80	67	748	21.60	14	1.90	75	665	19.18	14	2.00	84	594	17.15	14	2.20	93	534	15.42	13	2.40	108	464	13.38	13	2.60	120	415	11.98	12	2.80	145	344	9.94	12	3.20	157	317	9.15	12	3.60	175	285	8.23	11	3.80	202	247	7.14	11	4.10	77	651	18.80	8.8	1.15	81	617	17.82	8.9	1.20	92	541	15.60	8.7	1.30	102	487	14.05	8.5	1.40	117	427	12.33	8.3	1.50	132	377	10.88	8.0	1.65	149	334	9.64	7.8	1.80	168	298	8.59	7.7	2.00	186	268	7.74	7.5	2.20	212	235	6.79	7.2	2.30	240	208	5.99	7.0	2.50	271	184	5.31	6.7	2.60																																																																																																																																										
7.6	6222	189	68	2.15			3.7	13450	194.08	128	2.50					4.0	12328	177.89	128	2.75					4.6	10739	154.96	128	3.05					3.1	15920	229.71	114	1.05					3.9	12955	186.93	114	1.30			GR179 GRF179	8P	17	2881	83.15	17	1.00	GR99 GRF99	4P			4.7	10608	153.07	114	1.60					5.1	9701	139.98	114	1.75					5.9	8442	121.81	114	2.00					4.4	11318	163.31	61	1.10			4.9	10181	146.91	63	1.20	GR169 GRF169	8P	6.0	8307	119.86					66	1.45	6.6									7576			109.31			67					1.60	5.9	8489	163.31			66			1.45	6.5	7636	146.91	67	1.60	8.0	6230	119.86	68	2.00	GR99 GRF99	4P	8.8	5682	109.31	69	2.20			10			4917	94.60	69	2.50			12			4339	83.47	70	2.80			5.6			8883	128.18	42	0.85					6.3	7881	113.72	50	0.95	GR149 GRF149	6P	7.0	7152	103.20	51	1.05			8.1	6147	88.70	53	1.20					5.5			9065	174.40	41			0.85					6.1	8125	156.31	49	0.95	6.8	7335			141.12	51	1.05	7.5	6663	128.18	53	1.15	8.4	5911	113.72	54	1.30	9.3	5364	103.20	55			1.40			6.5	7714	222.60	50	1.00	7.6	6530			188.45	53	1.15		8.3	6043		174.40	54	1.25	9.2	5416	156.31	55	1.40	10	4890	141.12	55	1.55	11	4442	128.18	56	1.70	13	3941	113.72	56	1.90	20	2547	73.49	57	3.00	22	2259	65.20	58	3.30	24	2050	59.17	58	3.70	28	1762	50.86	58	4.30	11	4424	127.68	26	0.90	12	4007	115.63	28	1.00	14	3553	102.53	30	1.15	16	3212	92.70	32	1.25	18	2723	78.57	32	1.50	20	2525	72.88	31	1.60	22	2273	65.60	30	1.80	24	2059	59.41	30	1.95	27	1825	52.68	29	2.20	30	1650	47.63	28	2.50	36	1399	40.37	27	2.90	20	2501	72.17	21	1.15	22	2260	65.21	23	1.25	24	2076	59.92	23	1.35	27	1844	53.21	22	1.55	30	1649	47.58	22	1.70	34	1482	42.78	21	1.90	39	1287	37.13	21	2.20	43	1152	33.25	20	2.40	52	956	27.58	19	2.60	45	1111	32.05	20	2.20	53	942	27.19	19	2.60	58	867	25.03	19	3.10	64	775	22.37	18	3.30	71	698	20.14	17	3.50	79	632	18.24	17	3.70	89	560	16.17	16	4.00	30	1656	47.79	15	0.90	34	1453	41.92	16	1.00	39	1282	37.00	16	1.15	44	1137	32.80	16	1.30	51	970	28.00	15	1.45	52	969	27.96	15	1.50	61	815	23.51	15	1.80	67	748	21.60	14	1.90	75	665	19.18	14	2.00	84	594	17.15	14	2.20	93	534	15.42	13	2.40	108	464	13.38	13	2.60	120	415	11.98	12	2.80	145	344	9.94	12	3.20	157	317	9.15	12	3.60	175	285	8.23	11	3.80	202	247	7.14	11	4.10	77	651	18.80	8.8	1.15	81	617	17.82	8.9	1.20	92	541	15.60	8.7	1.30	102	487	14.05	8.5	1.40	117	427	12.33	8.3	1.50	132	377	10.88	8.0	1.65	149	334	9.64	7.8	1.80	168	298	8.59	7.7	2.00	186	268	7.74	7.5	2.20	212	235	6.79	7.2	2.30	240	208	5.99	7.0	2.50	271	184	5.31	6.7	2.60																																																																																																																																																			
3.7	13450	194.08	128	2.50			4.0	12328	177.89	128	2.75					4.6	10739	154.96	128	3.05					3.1	15920	229.71	114	1.05					3.9	12955	186.93	114	1.30			GR179 GRF179	8P	17	2881	83.15	17	1.00	GR99 GRF99	4P			4.7	10608	153.07	114	1.60					5.1	9701	139.98	114	1.75					5.9	8442	121.81	114	2.00					4.4	11318	163.31	61	1.10					4.9	10181	146.91	63	1.20			GR169 GRF169	8P	6.0	8307	119.86			66	1.45	6.6					7576	109.31	67									1.60			5.9	8489	163.31	66					1.45	6.5	7636	146.91	67	1.60	8.0			6230	119.86	68	2.00	GR99 GRF99	4P	8.8	5682	109.31	69	2.20			10	4917	94.60	69	2.50			12			4339	83.47	70	2.80			5.6			8883	128.18	42	0.85			6.3			7881	113.72	50	0.95		GR149 GRF149	6P		7.0	7152	103.20	51	1.05			8.1	6147	88.70	53	1.20			5.5	9065	174.40	41	0.85					6.1			8125	156.31	49			0.95	6.8	7335			141.12	51	1.05	7.5	6663	128.18	53			1.15	8.4	5911	113.72	54	1.30	9.3	5364	103.20	55	1.40	6.5	7714	222.60	50	1.00	7.6			6530			188.45	53	1.15	8.3	6043	174.40	54			1.25	9.2	5416	156.31	55	1.40	10	4890	141.12	55	1.55	11	4442	128.18	56	1.70	13	3941	113.72	56	1.90	20	2547	73.49	57	3.00	22	2259	65.20	58	3.30	24	2050	59.17	58	3.70	28	1762	50.86	58	4.30	11	4424	127.68	26	0.90	12	4007	115.63	28	1.00	14	3553	102.53	30	1.15	16	3212	92.70	32	1.25	18	2723	78.57	32	1.50	20	2525	72.88	31	1.60	22	2273	65.60	30	1.80	24	2059	59.41	30	1.95	27	1825	52.68	29	2.20	30	1650	47.63	28	2.50	36	1399	40.37	27	2.90	20	2501	72.17	21	1.15	22	2260	65.21	23	1.25	24	2076	59.92	23	1.35	27	1844	53.21	22	1.55	30	1649	47.58	22	1.70	34	1482	42.78	21	1.90	39	1287	37.13	21	2.20	43	1152	33.25	20	2.40	52	956	27.58	19	2.60	45	1111	32.05	20	2.20	53	942	27.19	19	2.60	58	867	25.03	19	3.10	64	775	22.37	18	3.30	71	698	20.14	17	3.50	79	632	18.24	17	3.70	89	560	16.17	16	4.00	30	1656	47.79	15	0.90	34	1453	41.92	16	1.00	39	1282	37.00	16	1.15	44	1137	32.80	16	1.30	51	970	28.00	15	1.45	52	969	27.96	15	1.50	61	815	23.51	15	1.80	67	748	21.60	14	1.90	75	665	19.18	14	2.00	84	594	17.15	14	2.20	93	534	15.42	13	2.40	108	464	13.38	13	2.60	120	415	11.98	12	2.80	145	344	9.94	12	3.20	157	317	9.15	12	3.60	175	285	8.23	11	3.80	202	247	7.14	11	4.10	77	651	18.80	8.8	1.15	81	617	17.82	8.9	1.20	92	541	15.60	8.7	1.30	102	487	14.05	8.5	1.40	117	427	12.33	8.3	1.50	132	377	10.88	8.0	1.65	149	334	9.64	7.8	1.80	168	298	8.59	7.7	2.00	186	268	7.74	7.5	2.20	212	235	6.79	7.2	2.30	240	208	5.99	7.0	2.50	271	184	5.31	6.7	2.60																																																																																																																																																												
4.0	12328	177.89	128	2.75			4.6	10739	154.96	128	3.05					3.1	15920	229.71	114	1.05					3.9	12955	186.93	114	1.30			GR179 GRF179	8P	17	2881	83.15	17	1.00	GR99 GRF99	4P			4.7	10608	153.07	114	1.60					5.1	9701	139.98	114	1.75					5.9	8442	121.81	114	2.00					4.4	11318	163.31	61	1.10					4.9	10181	146.91	63	1.20					GR169 GRF169	8P	6.0	8307	119.86					66	1.45	6.6			7576	109.31	67					1.60	5.9	8489							163.31	66	1.45			6.5	7636	146.91	67	1.60	8.0			6230	119.86	68	2.00	GR99 GRF99	4P	8.8			5682	109.31	69	2.20			10	4917	94.60	69	2.50			12	4339	83.47	70	2.80			5.6			8883	128.18	42	0.85			6.3			7881	113.72	50	0.95			GR149 GRF149	6P	7.0	7152	103.20	51	1.05					8.1	6147	88.70	53	1.20			5.5	9065	174.40	41	0.85			6.1	8125	156.31	49	0.95					6.8			7335	141.12	51	1.05	7.5	6663	128.18	53			1.15	8.4	5911	113.72	54	1.30	9.3			5364	103.20	55	1.40	6.5	7714	222.60	50	1.00	7.6	6530	188.45	53	1.15	8.3	6043	174.40			54			1.25	9.2	5416	156.31	55	1.40	10	4890	141.12	55	1.55	11	4442	128.18	56	1.70	13	3941	113.72	56	1.90	20	2547	73.49	57	3.00	22	2259	65.20	58	3.30	24	2050	59.17	58	3.70	28	1762	50.86	58	4.30	11	4424	127.68	26	0.90	12	4007	115.63	28	1.00	14	3553	102.53	30	1.15	16	3212	92.70	32	1.25	18	2723	78.57	32	1.50	20	2525	72.88	31	1.60	22	2273	65.60	30	1.80	24	2059	59.41	30	1.95	27	1825	52.68	29	2.20	30	1650	47.63	28	2.50	36	1399	40.37	27	2.90	20	2501	72.17	21	1.15	22	2260	65.21	23	1.25	24	2076	59.92	23	1.35	27	1844	53.21	22	1.55	30	1649	47.58	22	1.70	34	1482	42.78	21	1.90	39	1287	37.13	21	2.20	43	1152	33.25	20	2.40	52	956	27.58	19	2.60	45	1111	32.05	20	2.20	53	942	27.19	19	2.60	58	867	25.03	19	3.10	64	775	22.37	18	3.30	71	698	20.14	17	3.50	79	632	18.24	17	3.70	89	560	16.17	16	4.00	30	1656	47.79	15	0.90	34	1453	41.92	16	1.00	39	1282	37.00	16	1.15	44	1137	32.80	16	1.30	51	970	28.00	15	1.45	52	969	27.96	15	1.50	61	815	23.51	15	1.80	67	748	21.60	14	1.90	75	665	19.18	14	2.00	84	594	17.15	14	2.20	93	534	15.42	13	2.40	108	464	13.38	13	2.60	120	415	11.98	12	2.80	145	344	9.94	12	3.20	157	317	9.15	12	3.60	175	285	8.23	11	3.80	202	247	7.14	11	4.10	77	651	18.80	8.8	1.15	81	617	17.82	8.9	1.20	92	541	15.60	8.7	1.30	102	487	14.05	8.5	1.40	117	427	12.33	8.3	1.50	132	377	10.88	8.0	1.65	149	334	9.64	7.8	1.80	168	298	8.59	7.7	2.00	186	268	7.74	7.5	2.20	212	235	6.79	7.2	2.30	240	208	5.99	7.0	2.50	271	184	5.31	6.7	2.60																																																																																																																																																																					
4.6	10739	154.96	128	3.05			3.1	15920	229.71	114	1.05					3.9	12955	186.93	114	1.30			GR179 GRF179	8P	17	2881	83.15	17	1.00	GR99 GRF99	4P			4.7	10608	153.07	114	1.60					5.1	9701	139.98	114	1.75					5.9	8442	121.81	114	2.00					4.4	11318	163.31	61	1.10					4.9	10181	146.91	63	1.20					GR169 GRF169	8P	6.0	8307	119.86							66	1.45	6.6					7576	109.31	67			1.60	5.9	8489					163.31	66	1.45	6.5	7636					146.91	67	1.60	8.0	6230	119.86	68	2.00	GR99 GRF99	4P	8.8			5682	109.31	69	2.20			10			4917	94.60	69	2.50			12	4339	83.47	70	2.80			5.6	8883	128.18	42	0.85			6.3			7881	113.72	50	0.95			GR149 GRF149	6P	7.0	7152	103.20	51	1.05					8.1	6147	88.70	53	1.20					5.5	9065	174.40	41	0.85			6.1	8125	156.31	49	0.95			6.8	7335	141.12	51	1.05					7.5	6663	128.18	53	1.15	8.4	5911	113.72	54	1.30	9.3			5364	103.20	55	1.40	6.5	7714	222.60			50	1.00	7.6	6530	188.45	53	1.15	8.3	6043	174.40	54	1.25	9.2	5416	156.31	55	1.40			10	4890	141.12	55	1.55	11	4442	128.18	56	1.70	13	3941	113.72	56	1.90	20	2547	73.49	57	3.00	22	2259	65.20	58	3.30	24	2050	59.17	58	3.70	28	1762	50.86	58	4.30	11	4424	127.68	26	0.90	12	4007	115.63	28	1.00	14	3553	102.53	30	1.15	16	3212	92.70	32	1.25	18	2723	78.57	32	1.50	20	2525	72.88	31	1.60	22	2273	65.60	30	1.80	24	2059	59.41	30	1.95	27	1825	52.68	29	2.20	30	1650	47.63	28	2.50	36	1399	40.37	27	2.90	20	2501	72.17	21	1.15	22	2260	65.21	23	1.25	24	2076	59.92	23	1.35	27	1844	53.21	22	1.55	30	1649	47.58	22	1.70	34	1482	42.78	21	1.90	39	1287	37.13	21	2.20	43	1152	33.25	20	2.40	52	956	27.58	19	2.60	45	1111	32.05	20	2.20	53	942	27.19	19	2.60	58	867	25.03	19	3.10	64	775	22.37	18	3.30	71	698	20.14	17	3.50	79	632	18.24	17	3.70	89	560	16.17	16	4.00	30	1656	47.79	15	0.90	34	1453	41.92	16	1.00	39	1282	37.00	16	1.15	44	1137	32.80	16	1.30	51	970	28.00	15	1.45	52	969	27.96	15	1.50	61	815	23.51	15	1.80	67	748	21.60	14	1.90	75	665	19.18	14	2.00	84	594	17.15	14	2.20	93	534	15.42	13	2.40	108	464	13.38	13	2.60	120	415	11.98	12	2.80	145	344	9.94	12	3.20	157	317	9.15	12	3.60	175	285	8.23	11	3.80	202	247	7.14	11	4.10	77	651	18.80	8.8	1.15	81	617	17.82	8.9	1.20	92	541	15.60	8.7	1.30	102	487	14.05	8.5	1.40	117	427	12.33	8.3	1.50	132	377	10.88	8.0	1.65	149	334	9.64	7.8	1.80	168	298	8.59	7.7	2.00	186	268	7.74	7.5	2.20	212	235	6.79	7.2	2.30	240	208	5.99	7.0	2.50	271	184	5.31	6.7	2.60																																																																																																																																																																														
3.1	15920	229.71	114	1.05			3.9	12955	186.93	114	1.30	GR179 GRF179	8P			17	2881	83.15	17	1.00	GR99 GRF99	4P			4.7	10608	153.07	114	1.60					5.1	9701	139.98	114	1.75					5.9	8442	121.81	114	2.00					4.4	11318	163.31	61	1.10					4.9	10181	146.91	63	1.20					GR169 GRF169	8P	6.0	8307	119.86							66	1.45	6.6							7576	109.31	67					1.60	5.9	8489			163.31	66	1.45	6.5	7636			146.91	67	1.60	8.0	6230	119.86	68			2.00	GR99 GRF99	4P	8.8	5682	109.31	69	2.20			10			4917	94.60	69	2.50			12			4339	83.47	70	2.80			5.6	8883	128.18	42	0.85			6.3	7881	113.72	50	0.95			GR149 GRF149	6P	7.0	7152	103.20	51	1.05					8.1	6147	88.70	53	1.20					5.5	9065	174.40	41	0.85					6.1	8125	156.31	49	0.95			6.8	7335	141.12	51	1.05			7.5	6663	128.18	53	1.15			8.4	5911	113.72	54	1.30	9.3	5364	103.20	55	1.40	6.5	7714	222.60			50	1.00	7.6	6530	188.45	53	1.15			8.3	6043	174.40	54	1.25	9.2	5416	156.31	55	1.40	10	4890	141.12	55	1.55	11	4442	128.18	56	1.70	13	3941	113.72	56	1.90	20	2547	73.49	57	3.00	22	2259	65.20	58	3.30	24	2050	59.17	58	3.70	28	1762	50.86	58	4.30	11	4424	127.68	26	0.90	12	4007	115.63	28	1.00	14	3553	102.53	30	1.15	16	3212	92.70	32	1.25	18	2723	78.57	32	1.50	20	2525	72.88	31	1.60	22	2273	65.60	30	1.80	24	2059	59.41	30	1.95	27	1825	52.68	29	2.20	30	1650	47.63	28	2.50	36	1399	40.37	27	2.90	20	2501	72.17	21	1.15	22	2260	65.21	23	1.25	24	2076	59.92	23	1.35	27	1844	53.21	22	1.55	30	1649	47.58	22	1.70	34	1482	42.78	21	1.90	39	1287	37.13	21	2.20	43	1152	33.25	20	2.40	52	956	27.58	19	2.60	45	1111	32.05	20	2.20	53	942	27.19	19	2.60	58	867	25.03	19	3.10	64	775	22.37	18	3.30	71	698	20.14	17	3.50	79	632	18.24	17	3.70	89	560	16.17	16	4.00	30	1656	47.79	15	0.90	34	1453	41.92	16	1.00	39	1282	37.00	16	1.15	44	1137	32.80	16	1.30	51	970	28.00	15	1.45	52	969	27.96	15	1.50	61	815	23.51	15	1.80	67	748	21.60	14	1.90	75	665	19.18	14	2.00	84	594	17.15	14	2.20	93	534	15.42	13	2.40	108	464	13.38	13	2.60	120	415	11.98	12	2.80	145	344	9.94	12	3.20	157	317	9.15	12	3.60	175	285	8.23	11	3.80	202	247	7.14	11	4.10	77	651	18.80	8.8	1.15	81	617	17.82	8.9	1.20	92	541	15.60	8.7	1.30	102	487	14.05	8.5	1.40	117	427	12.33	8.3	1.50	132	377	10.88	8.0	1.65	149	334	9.64	7.8	1.80	168	298	8.59	7.7	2.00	186	268	7.74	7.5	2.20	212	235	6.79	7.2	2.30	240	208	5.99	7.0	2.50	271	184	5.31	6.7	2.60																																																																																																																																																																																							
3.9	12955	186.93	114	1.30	GR179 GRF179	8P	17	2881	83.15	17	1.00			GR99 GRF99	4P																																																																																																																																																																																																																																																																																																																																																																																																																																																																																																																																																																																																																																																																																																																																																						
4.7	10608	153.07	114	1.60			5.1	9701	139.98	114	1.75					5.9	8442	121.81	114	2.00					4.4	11318	163.31	61	1.10					4.9	10181	146.91	63	1.20					GR169 GRF169	8P	6.0	8307	119.86					66	1.45	6.6	7576	109.31					67	1.60	5.9	8489	163.31							66	1.45	6.5							7636	146.91	67			1.60	8.0			6230	119.86	68	2.00	GR99 GRF99			4P	8.8	5682			109.31	69	2.20	10	4917			94.60	69	2.50	12	4339	83.47	70			2.80			5.6	8883	128.18	42	0.85			6.3			7881	113.72	50	0.95			GR149 GRF149	6P	7.0	7152	103.20	51	1.05			8.1	6147	88.70	53	1.20			5.5	9065	174.40	41	0.85					6.1	8125	156.31	49	0.95					6.8	7335	141.12	51	1.05					7.5	6663	128.18	53	1.15	8.4			5911	113.72	54	1.30	9.3	5364			103.20	55	1.40	6.5	7714			222.60	50	1.00	7.6	6530			188.45	53	1.15	8.3	6043	174.40	54	1.25	9.2	5416	156.31	55	1.40			10	4890	141.12	55	1.55	11	4442	128.18	56	1.70	13	3941	113.72	56	1.90	20	2547	73.49	57	3.00	22	2259	65.20	58	3.30	24	2050	59.17	58	3.70	28	1762	50.86	58	4.30	11	4424	127.68	26	0.90	12	4007	115.63	28	1.00	14	3553	102.53	30	1.15	16	3212	92.70	32	1.25	18	2723	78.57	32	1.50	20	2525	72.88	31	1.60	22	2273	65.60	30	1.80	24	2059	59.41	30	1.95	27	1825	52.68	29	2.20	30	1650	47.63	28	2.50	36	1399	40.37	27	2.90	20	2501	72.17	21	1.15	22	2260	65.21	23	1.25	24	2076	59.92	23	1.35	27	1844	53.21	22	1.55	30	1649	47.58	22	1.70	34	1482	42.78	21	1.90	39	1287	37.13	21	2.20	43	1152	33.25	20	2.40	52	956	27.58	19	2.60	45	1111	32.05	20	2.20	53	942	27.19	19	2.60	58	867	25.03	19	3.10	64	775	22.37	18	3.30	71	698	20.14	17	3.50	79	632	18.24	17	3.70	89	560	16.17	16	4.00	30	1656	47.79	15	0.90	34	1453	41.92	16	1.00	39	1282	37.00	16	1.15	44	1137	32.80	16	1.30	51	970	28.00	15	1.45	52	969	27.96	15	1.50	61	815	23.51	15	1.80	67	748	21.60	14	1.90	75	665	19.18	14	2.00	84	594	17.15	14	2.20	93	534	15.42	13	2.40	108	464	13.38	13	2.60	120	415	11.98	12	2.80	145	344	9.94	12	3.20	157	317	9.15	12	3.60	175	285	8.23	11	3.80	202	247	7.14	11	4.10	77	651	18.80	8.8	1.15	81	617	17.82	8.9	1.20	92	541	15.60	8.7	1.30	102	487	14.05	8.5	1.40	117	427	12.33	8.3	1.50	132	377	10.88	8.0	1.65	149	334	9.64	7.8	1.80	168	298	8.59	7.7	2.00	186	268	7.74	7.5	2.20	212	235	6.79	7.2	2.30	240	208	5.99	7.0	2.50	271	184	5.31	6.7	2.60																																																																																																																																																																																																										
5.1	9701	139.98	114	1.75			5.9	8442	121.81	114	2.00					4.4	11318	163.31	61	1.10					4.9	10181	146.91	63	1.20					GR169 GRF169	8P	6.0	8307	119.86							66	1.45	6.6					7576	109.31	67	1.60	5.9					8489	163.31	66	1.45	6.5							7636	146.91	67			1.60	8.0			6230	119.86	68	2.00	GR99 GRF99	4P	8.8			5682	109.31	69	2.20					10	4917			94.60	69	2.50	12	4339			83.47	70	2.80	5.6	8883	128.18	42			0.85			6.3	7881	113.72	50	0.95			GR149 GRF149	6P	7.0	7152	103.20	51	1.05					8.1	6147	88.70	53	1.20			5.5	9065	174.40	41	0.85			6.1	8125	156.31	49	0.95					6.8	7335	141.12	51	1.05					7.5	6663	128.18	53	1.15	8.4	5911			113.72	54	1.30	9.3	5364	103.20			55	1.40	6.5	7714	222.60	50			1.00	7.6	6530	188.45	53			1.15	8.3	6043	174.40	54			1.25	9.2	5416	156.31	55	1.40	10	4890	141.12	55	1.55	11	4442	128.18	56	1.70	13	3941	113.72	56	1.90	20	2547	73.49	57	3.00	22	2259	65.20	58	3.30	24	2050	59.17	58	3.70	28	1762	50.86	58	4.30	11	4424	127.68	26	0.90	12	4007	115.63	28	1.00	14	3553	102.53	30	1.15	16	3212	92.70	32	1.25	18	2723	78.57	32	1.50	20	2525	72.88	31	1.60	22	2273	65.60	30	1.80	24	2059	59.41	30	1.95	27	1825	52.68	29	2.20	30	1650	47.63	28	2.50	36	1399	40.37	27	2.90	20	2501	72.17	21	1.15	22	2260	65.21	23	1.25	24	2076	59.92	23	1.35	27	1844	53.21	22	1.55	30	1649	47.58	22	1.70	34	1482	42.78	21	1.90	39	1287	37.13	21	2.20	43	1152	33.25	20	2.40	52	956	27.58	19	2.60	45	1111	32.05	20	2.20	53	942	27.19	19	2.60	58	867	25.03	19	3.10	64	775	22.37	18	3.30	71	698	20.14	17	3.50	79	632	18.24	17	3.70	89	560	16.17	16	4.00	30	1656	47.79	15	0.90	34	1453	41.92	16	1.00	39	1282	37.00	16	1.15	44	1137	32.80	16	1.30	51	970	28.00	15	1.45	52	969	27.96	15	1.50	61	815	23.51	15	1.80	67	748	21.60	14	1.90	75	665	19.18	14	2.00	84	594	17.15	14	2.20	93	534	15.42	13	2.40	108	464	13.38	13	2.60	120	415	11.98	12	2.80	145	344	9.94	12	3.20	157	317	9.15	12	3.60	175	285	8.23	11	3.80	202	247	7.14	11	4.10	77	651	18.80	8.8	1.15	81	617	17.82	8.9	1.20	92	541	15.60	8.7	1.30	102	487	14.05	8.5	1.40	117	427	12.33	8.3	1.50	132	377	10.88	8.0	1.65	149	334	9.64	7.8	1.80	168	298	8.59	7.7	2.00	186	268	7.74	7.5	2.20	212	235	6.79	7.2	2.30	240	208	5.99	7.0	2.50	271	184	5.31	6.7	2.60																																																																																																																																																																																																																			
5.9	8442	121.81	114	2.00			4.4	11318	163.31	61	1.10					4.9	10181	146.91	63	1.20					GR169 GRF169	8P	6.0	8307	119.86							66	1.45	6.6							7576	109.31	67					1.60	5.9	8489	163.31	66					1.45	6.5	7636	146.91	67			1.60	8.0			6230	119.86	68	2.00	GR99 GRF99	4P	8.8			5682	109.31	69	2.20			10			4917	94.60	69	2.50					12	4339			83.47	70	2.80	5.6	8883			128.18	42	0.85	6.3	7881	113.72	50	0.95	GR149 GRF149	6P			7.0	7152	103.20	51	1.05					8.1	6147	88.70	53	1.20					5.5	9065	174.40	41	0.85			6.1	8125	156.31	49	0.95			6.8	7335	141.12	51	1.05					7.5	6663	128.18	53	1.15	8.4	5911			113.72	54	1.30	9.3	5364	103.20	55			1.40	6.5	7714	222.60	50	1.00			7.6	6530	188.45	53	1.15	8.3			6043	174.40	54	1.25	9.2			5416	156.31	55	1.40	10	4890	141.12	55	1.55	11	4442	128.18	56	1.70	13	3941	113.72	56	1.90	20	2547	73.49	57	3.00	22	2259	65.20	58	3.30	24	2050	59.17	58	3.70	28	1762	50.86	58	4.30	11	4424	127.68	26	0.90	12	4007	115.63	28	1.00	14	3553	102.53	30	1.15	16	3212	92.70	32	1.25	18	2723	78.57	32	1.50	20	2525	72.88	31	1.60	22	2273	65.60	30	1.80	24	2059	59.41	30	1.95	27	1825	52.68	29	2.20	30	1650	47.63	28	2.50	36	1399	40.37	27	2.90	20	2501	72.17	21	1.15	22	2260	65.21	23	1.25	24	2076	59.92	23	1.35	27	1844	53.21	22	1.55	30	1649	47.58	22	1.70	34	1482	42.78	21	1.90	39	1287	37.13	21	2.20	43	1152	33.25	20	2.40	52	956	27.58	19	2.60	45	1111	32.05	20	2.20	53	942	27.19	19	2.60	58	867	25.03	19	3.10	64	775	22.37	18	3.30	71	698	20.14	17	3.50	79	632	18.24	17	3.70	89	560	16.17	16	4.00	30	1656	47.79	15	0.90	34	1453	41.92	16	1.00	39	1282	37.00	16	1.15	44	1137	32.80	16	1.30	51	970	28.00	15	1.45	52	969	27.96	15	1.50	61	815	23.51	15	1.80	67	748	21.60	14	1.90	75	665	19.18	14	2.00	84	594	17.15	14	2.20	93	534	15.42	13	2.40	108	464	13.38	13	2.60	120	415	11.98	12	2.80	145	344	9.94	12	3.20	157	317	9.15	12	3.60	175	285	8.23	11	3.80	202	247	7.14	11	4.10	77	651	18.80	8.8	1.15	81	617	17.82	8.9	1.20	92	541	15.60	8.7	1.30	102	487	14.05	8.5	1.40	117	427	12.33	8.3	1.50	132	377	10.88	8.0	1.65	149	334	9.64	7.8	1.80	168	298	8.59	7.7	2.00	186	268	7.74	7.5	2.20	212	235	6.79	7.2	2.30	240	208	5.99	7.0	2.50	271	184	5.31	6.7	2.60																																																																																																																																																																																																																												
4.4	11318	163.31	61	1.10			4.9	10181	146.91	63	1.20					GR169 GRF169	8P	6.0	8307	119.86							66	1.45	6.6							7576	109.31	67							1.60	5.9	8489					163.31	66	1.45	6.5	7636			146.91	67	1.60	8.0	6230	119.86	68	2.00	GR99 GRF99	4P	8.8			5682	109.31	69	2.20			10			4917	94.60	69	2.50			12			4339	83.47	70	2.80					5.6	8883			128.18	42	0.85	6.3	7881	113.72	50	0.95	GR149 GRF149	6P	7.0	7152	103.20	51	1.05					8.1	6147	88.70	53	1.20					5.5	9065	174.40	41	0.85					6.1	8125	156.31	49	0.95			6.8	7335	141.12	51	1.05			7.5	6663	128.18	53	1.15	8.4	5911			113.72	54	1.30	9.3	5364	103.20	55			1.40	6.5	7714	222.60	50	1.00	7.6			6530	188.45	53	1.15	8.3	6043			174.40	54	1.25	9.2	5416	156.31			55	1.40	10	4890	141.12	55	1.55	11	4442	128.18	56	1.70	13	3941	113.72	56	1.90	20	2547	73.49	57	3.00	22	2259	65.20	58	3.30	24	2050	59.17	58	3.70	28	1762	50.86	58	4.30	11	4424	127.68	26	0.90	12	4007	115.63	28	1.00	14	3553	102.53	30	1.15	16	3212	92.70	32	1.25	18	2723	78.57	32	1.50	20	2525	72.88	31	1.60	22	2273	65.60	30	1.80	24	2059	59.41	30	1.95	27	1825	52.68	29	2.20	30	1650	47.63	28	2.50	36	1399	40.37	27	2.90	20	2501	72.17	21	1.15	22	2260	65.21	23	1.25	24	2076	59.92	23	1.35	27	1844	53.21	22	1.55	30	1649	47.58	22	1.70	34	1482	42.78	21	1.90	39	1287	37.13	21	2.20	43	1152	33.25	20	2.40	52	956	27.58	19	2.60	45	1111	32.05	20	2.20	53	942	27.19	19	2.60	58	867	25.03	19	3.10	64	775	22.37	18	3.30	71	698	20.14	17	3.50	79	632	18.24	17	3.70	89	560	16.17	16	4.00	30	1656	47.79	15	0.90	34	1453	41.92	16	1.00	39	1282	37.00	16	1.15	44	1137	32.80	16	1.30	51	970	28.00	15	1.45	52	969	27.96	15	1.50	61	815	23.51	15	1.80	67	748	21.60	14	1.90	75	665	19.18	14	2.00	84	594	17.15	14	2.20	93	534	15.42	13	2.40	108	464	13.38	13	2.60	120	415	11.98	12	2.80	145	344	9.94	12	3.20	157	317	9.15	12	3.60	175	285	8.23	11	3.80	202	247	7.14	11	4.10	77	651	18.80	8.8	1.15	81	617	17.82	8.9	1.20	92	541	15.60	8.7	1.30	102	487	14.05	8.5	1.40	117	427	12.33	8.3	1.50	132	377	10.88	8.0	1.65	149	334	9.64	7.8	1.80	168	298	8.59	7.7	2.00	186	268	7.74	7.5	2.20	212	235	6.79	7.2	2.30	240	208	5.99	7.0	2.50	271	184	5.31	6.7	2.60																																																																																																																																																																																																																																					
4.9	10181	146.91	63	1.20			GR169 GRF169	8P	6.0	8307	119.86							66	1.45	6.6							7576	109.31	67							1.60	5.9	8489							163.31	66	1.45			6.5	7636	146.91	67	1.60	8.0	6230	119.86	68	2.00	GR99 GRF99	4P	8.8	5682	109.31	69	2.20			10			4917	94.60	69	2.50			12			4339	83.47	70	2.80			5.6			8883	128.18	42	0.85					6.3	7881	113.72	50	0.95	GR149 GRF149	6P	7.0	7152	103.20	51	1.05			8.1	6147	88.70	53	1.20					5.5	9065	174.40	41	0.85					6.1	8125	156.31	49	0.95					6.8	7335	141.12	51	1.05			7.5	6663	128.18	53	1.15	8.4	5911	113.72	54	1.30	9.3	5364	103.20	55			1.40	6.5	7714	222.60	50	1.00	7.6			6530	188.45	53	1.15	8.3	6043	174.40			54	1.25	9.2	5416	156.31	55			1.40	10	4890	141.12	55	1.55	11	4442	128.18	56	1.70	13	3941	113.72	56	1.90	20	2547	73.49	57	3.00	22	2259	65.20	58	3.30	24	2050	59.17	58	3.70	28	1762	50.86	58	4.30	11	4424	127.68	26	0.90	12	4007	115.63	28	1.00	14	3553	102.53	30	1.15	16	3212	92.70	32	1.25	18	2723	78.57	32	1.50	20	2525	72.88	31	1.60	22	2273	65.60	30	1.80	24	2059	59.41	30	1.95	27	1825	52.68	29	2.20	30	1650	47.63	28	2.50	36	1399	40.37	27	2.90	20	2501	72.17	21	1.15	22	2260	65.21	23	1.25	24	2076	59.92	23	1.35	27	1844	53.21	22	1.55	30	1649	47.58	22	1.70	34	1482	42.78	21	1.90	39	1287	37.13	21	2.20	43	1152	33.25	20	2.40	52	956	27.58	19	2.60	45	1111	32.05	20	2.20	53	942	27.19	19	2.60	58	867	25.03	19	3.10	64	775	22.37	18	3.30	71	698	20.14	17	3.50	79	632	18.24	17	3.70	89	560	16.17	16	4.00	30	1656	47.79	15	0.90	34	1453	41.92	16	1.00	39	1282	37.00	16	1.15	44	1137	32.80	16	1.30	51	970	28.00	15	1.45	52	969	27.96	15	1.50	61	815	23.51	15	1.80	67	748	21.60	14	1.90	75	665	19.18	14	2.00	84	594	17.15	14	2.20	93	534	15.42	13	2.40	108	464	13.38	13	2.60	120	415	11.98	12	2.80	145	344	9.94	12	3.20	157	317	9.15	12	3.60	175	285	8.23	11	3.80	202	247	7.14	11	4.10	77	651	18.80	8.8	1.15	81	617	17.82	8.9	1.20	92	541	15.60	8.7	1.30	102	487	14.05	8.5	1.40	117	427	12.33	8.3	1.50	132	377	10.88	8.0	1.65	149	334	9.64	7.8	1.80	168	298	8.59	7.7	2.00	186	268	7.74	7.5	2.20	212	235	6.79	7.2	2.30	240	208	5.99	7.0	2.50	271	184	5.31	6.7	2.60																																																																																																																																																																																																																																														
6.0	8307	119.86	66	1.45					6.6	7576	109.31							67	1.60	5.9							8489	163.31	66							1.45	6.5	7636			146.91	67			1.60	8.0	6230	119.86	68	2.00	GR99 GRF99	4P	8.8	5682	109.31	69	2.20	10	4917			94.60	69	2.50	12	4339			83.47			70	2.80	5.6	8883			128.18			42	0.85	6.3	7881			113.72			50	0.95	GR149 GRF149	6P		7.0	7152		103.20	51	1.05	8.1	6147			88.70	53	1.20	5.5	9065			174.40	41	0.85	6.1	8125					156.31	49	0.95	6.8	7335					141.12	51	1.05	7.5	6663					128.18	53	1.15	8.4	5911	113.72	54	1.30	9.3	5364	103.20	55	1.40	6.5	7714	222.60	50	1.00	7.6	6530	188.45			53	1.15	8.3	6043	174.40	54	1.25			9.2	5416	156.31	55	1.40	10	4890			141.12	55	1.55	11	4442	128.18	56	1.70	13	3941	113.72	56	1.90	20	2547	73.49	57	3.00	22	2259	65.20	58	3.30	24	2050	59.17	58	3.70	28	1762	50.86	58	4.30	11	4424	127.68	26	0.90	12	4007	115.63	28	1.00	14	3553	102.53	30	1.15	16	3212	92.70	32	1.25	18	2723	78.57	32	1.50	20	2525	72.88	31	1.60	22	2273	65.60	30	1.80	24	2059	59.41	30	1.95	27	1825	52.68	29	2.20	30	1650	47.63	28	2.50	36	1399	40.37	27	2.90	20	2501	72.17	21	1.15	22	2260	65.21	23	1.25	24	2076	59.92	23	1.35	27	1844	53.21	22	1.55	30	1649	47.58	22	1.70	34	1482	42.78	21	1.90	39	1287	37.13	21	2.20	43	1152	33.25	20	2.40	52	956	27.58	19	2.60	45	1111	32.05	20	2.20	53	942	27.19	19	2.60	58	867	25.03	19	3.10	64	775	22.37	18	3.30	71	698	20.14	17	3.50	79	632	18.24	17	3.70	89	560	16.17	16	4.00	30	1656	47.79	15	0.90	34	1453	41.92	16	1.00	39	1282	37.00	16	1.15	44	1137	32.80	16	1.30	51	970	28.00	15	1.45	52	969	27.96	15	1.50	61	815	23.51	15	1.80	67	748	21.60	14	1.90	75	665	19.18	14	2.00	84	594	17.15	14	2.20	93	534	15.42	13	2.40	108	464	13.38	13	2.60	120	415	11.98	12	2.80	145	344	9.94	12	3.20	157	317	9.15	12	3.60	175	285	8.23	11	3.80	202	247	7.14	11	4.10	77	651	18.80	8.8	1.15	81	617	17.82	8.9	1.20	92	541	15.60	8.7	1.30	102	487	14.05	8.5	1.40	117	427	12.33	8.3	1.50	132	377	10.88	8.0	1.65	149	334	9.64	7.8	1.80	168	298	8.59	7.7	2.00	186	268	7.74	7.5	2.20	212	235	6.79	7.2	2.30	240	208	5.99	7.0	2.50	271	184	5.31	6.7	2.60																																																																																																																																																																																																																																																									
6.6	7576	109.31	67	1.60					5.9	8489	163.31							66	1.45	6.5							7636	146.91	67			1.60	8.0			6230	119.86	68	2.00	GR99 GRF99	4P	8.8			5682	109.31	69	2.20	10	4917			94.60	69	2.50	12	4339	83.47	70			2.80	5.6	8883	128.18	42			0.85			6.3	7881	113.72	50			0.95			GR149 GRF149	6P	7.0	7152			103.20	51	1.05	8.1	6147				88.70	53		1.20	5.5	9065	174.40	41			0.85	6.1	8125	156.31	49			0.95	6.8	7335	141.12	51					1.05	7.5	6663	128.18	53					1.15	8.4	5911	113.72	54	1.30	9.3			5364	103.20	55	1.40	6.5	7714	222.60	50	1.00	7.6	6530	188.45	53	1.15	8.3	6043	174.40	54	1.25	9.2	5416			156.31	55	1.40	10	4890	141.12	55			1.55	11	4442	128.18	56	1.70	13	3941	113.72	56	1.90	20	2547	73.49	57	3.00	22	2259	65.20	58	3.30	24	2050	59.17	58	3.70	28	1762	50.86	58	4.30	11	4424	127.68	26	0.90	12	4007	115.63	28	1.00	14	3553	102.53	30	1.15	16	3212	92.70	32	1.25	18	2723	78.57	32	1.50	20	2525	72.88	31	1.60	22	2273	65.60	30	1.80	24	2059	59.41	30	1.95	27	1825	52.68	29	2.20	30	1650	47.63	28	2.50	36	1399	40.37	27	2.90	20	2501	72.17	21	1.15	22	2260	65.21	23	1.25	24	2076	59.92	23	1.35	27	1844	53.21	22	1.55	30	1649	47.58	22	1.70	34	1482	42.78	21	1.90	39	1287	37.13	21	2.20	43	1152	33.25	20	2.40	52	956	27.58	19	2.60	45	1111	32.05	20	2.20	53	942	27.19	19	2.60	58	867	25.03	19	3.10	64	775	22.37	18	3.30	71	698	20.14	17	3.50	79	632	18.24	17	3.70	89	560	16.17	16	4.00	30	1656	47.79	15	0.90	34	1453	41.92	16	1.00	39	1282	37.00	16	1.15	44	1137	32.80	16	1.30	51	970	28.00	15	1.45	52	969	27.96	15	1.50	61	815	23.51	15	1.80	67	748	21.60	14	1.90	75	665	19.18	14	2.00	84	594	17.15	14	2.20	93	534	15.42	13	2.40	108	464	13.38	13	2.60	120	415	11.98	12	2.80	145	344	9.94	12	3.20	157	317	9.15	12	3.60	175	285	8.23	11	3.80	202	247	7.14	11	4.10	77	651	18.80	8.8	1.15	81	617	17.82	8.9	1.20	92	541	15.60	8.7	1.30	102	487	14.05	8.5	1.40	117	427	12.33	8.3	1.50	132	377	10.88	8.0	1.65	149	334	9.64	7.8	1.80	168	298	8.59	7.7	2.00	186	268	7.74	7.5	2.20	212	235	6.79	7.2	2.30	240	208	5.99	7.0	2.50	271	184	5.31	6.7	2.60																																																																																																																																																																																																																																																																				
5.9	8489	163.31	66	1.45					6.5	7636	146.91							67	1.60	8.0			6230	119.86			68	2.00	GR99 GRF99	4P	8.8	5682	109.31			69	2.20	10	4917			94.60			69	2.50	12	4339	83.47	70			2.80	5.6	8883	128.18	42	0.85	6.3			7881	113.72	50	0.95	GR149 GRF149			6P			7.0	7152	103.20	51			1.05	8.1	6147			88.70	53			1.20	5.5	9065	174.40	41				0.85	6.1		8125	156.31	49	0.95	6.8			7335	141.12	51	1.05	7.5			6663	128.18	53	1.15	8.4					5911	113.72	54	1.30	9.3	5364	103.20			55	1.40	6.5	7714	222.60	50	1.00			7.6	6530	188.45	53	1.15	8.3	6043	174.40	54	1.25	9.2	5416	156.31	55	1.40	10	4890	141.12	55	1.55	11			4442	128.18	56	1.70	13	3941	113.72	56	1.90	20	2547	73.49	57	3.00	22	2259	65.20	58	3.30	24	2050	59.17	58	3.70	28	1762	50.86	58	4.30	11	4424	127.68	26	0.90	12	4007	115.63	28	1.00	14	3553	102.53	30	1.15	16	3212	92.70	32	1.25	18	2723	78.57	32	1.50	20	2525	72.88	31	1.60	22	2273	65.60	30	1.80	24	2059	59.41	30	1.95	27	1825	52.68	29	2.20	30	1650	47.63	28	2.50	36	1399	40.37	27	2.90	20	2501	72.17	21	1.15	22	2260	65.21	23	1.25	24	2076	59.92	23	1.35	27	1844	53.21	22	1.55	30	1649	47.58	22	1.70	34	1482	42.78	21	1.90	39	1287	37.13	21	2.20	43	1152	33.25	20	2.40	52	956	27.58	19	2.60	45	1111	32.05	20	2.20	53	942	27.19	19	2.60	58	867	25.03	19	3.10	64	775	22.37	18	3.30	71	698	20.14	17	3.50	79	632	18.24	17	3.70	89	560	16.17	16	4.00	30	1656	47.79	15	0.90	34	1453	41.92	16	1.00	39	1282	37.00	16	1.15	44	1137	32.80	16	1.30	51	970	28.00	15	1.45	52	969	27.96	15	1.50	61	815	23.51	15	1.80	67	748	21.60	14	1.90	75	665	19.18	14	2.00	84	594	17.15	14	2.20	93	534	15.42	13	2.40	108	464	13.38	13	2.60	120	415	11.98	12	2.80	145	344	9.94	12	3.20	157	317	9.15	12	3.60	175	285	8.23	11	3.80	202	247	7.14	11	4.10	77	651	18.80	8.8	1.15	81	617	17.82	8.9	1.20	92	541	15.60	8.7	1.30	102	487	14.05	8.5	1.40	117	427	12.33	8.3	1.50	132	377	10.88	8.0	1.65	149	334	9.64	7.8	1.80	168	298	8.59	7.7	2.00	186	268	7.74	7.5	2.20	212	235	6.79	7.2	2.30	240	208	5.99	7.0	2.50	271	184	5.31	6.7	2.60																																																																																																																																																																																																																																																																															
6.5	7636	146.91	67	1.60					8.0	6230	119.86	68	2.00					GR99 GRF99	4P	8.8	5682	109.31	69	2.20			10	4917			94.60	69	2.50			12	4339	83.47	70			2.80			5.6	8883	128.18	42	0.85	6.3			7881	113.72	50	0.95	GR149 GRF149	6P	7.0			7152	103.20	51	1.05					8.1	6147	88.70	53	1.20	5.5			9065	174.40	41			0.85	6.1			8125	156.31	49	0.95	6.8				7335	141.12		51	1.05	7.5	6663	128.18			53	1.15	8.4	5911	113.72			54	1.30	9.3	5364	103.20			55	1.40	6.5	7714	222.60	50	1.00	7.6	6530			188.45	53	1.15	8.3	6043	174.40	54			1.25	9.2	5416	156.31	55	1.40	10	4890	141.12	55	1.55	11	4442	128.18	56	1.70	13	3941	113.72	56	1.90	20	2547	73.49	57	3.00	22	2259	65.20	58	3.30	24	2050	59.17	58	3.70	28	1762	50.86	58	4.30	11	4424	127.68	26	0.90	12	4007	115.63	28	1.00	14	3553	102.53	30	1.15	16	3212	92.70	32	1.25	18	2723	78.57	32	1.50	20	2525	72.88	31	1.60	22	2273	65.60	30	1.80	24	2059	59.41	30	1.95	27	1825	52.68	29	2.20	30	1650	47.63	28	2.50	36	1399	40.37	27	2.90	20	2501	72.17	21	1.15	22	2260	65.21	23	1.25	24	2076	59.92	23	1.35	27	1844	53.21	22	1.55	30	1649	47.58	22	1.70	34	1482	42.78	21	1.90	39	1287	37.13	21	2.20	43	1152	33.25	20	2.40	52	956	27.58	19	2.60	45	1111	32.05	20	2.20	53	942	27.19	19	2.60	58	867	25.03	19	3.10	64	775	22.37	18	3.30	71	698	20.14	17	3.50	79	632	18.24	17	3.70	89	560	16.17	16	4.00	30	1656	47.79	15	0.90	34	1453	41.92	16	1.00	39	1282	37.00	16	1.15	44	1137	32.80	16	1.30	51	970	28.00	15	1.45	52	969	27.96	15	1.50	61	815	23.51	15	1.80	67	748	21.60	14	1.90	75	665	19.18	14	2.00	84	594	17.15	14	2.20	93	534	15.42	13	2.40	108	464	13.38	13	2.60	120	415	11.98	12	2.80	145	344	9.94	12	3.20	157	317	9.15	12	3.60	175	285	8.23	11	3.80	202	247	7.14	11	4.10	77	651	18.80	8.8	1.15	81	617	17.82	8.9	1.20	92	541	15.60	8.7	1.30	102	487	14.05	8.5	1.40	117	427	12.33	8.3	1.50	132	377	10.88	8.0	1.65	149	334	9.64	7.8	1.80	168	298	8.59	7.7	2.00	186	268	7.74	7.5	2.20	212	235	6.79	7.2	2.30	240	208	5.99	7.0	2.50	271	184	5.31	6.7	2.60																																																																																																																																																																																																																																																																																										
8.0	6230	119.86	68	2.00	GR99 GRF99	4P			8.8	5682	109.31	69	2.20	10	4917					94.60	69	2.50	12	4339			83.47	70			2.80	5.6	8883			128.18	42	0.85	6.3			7881			113.72	50	0.95	GR149 GRF149	6P	7.0			7152	103.20	51	1.05			8.1			6147	88.70	53	1.20					5.5	9065	174.40	41	0.85	6.1			8125	156.31	49			0.95	6.8			7335	141.12	51	1.05	7.5				6663	128.18		53	1.15	8.4	5911	113.72			54	1.30	9.3	5364	103.20			55	1.40	6.5	7714	222.60			50	1.00	7.6	6530	188.45	53	1.15	8.3	6043			174.40	54	1.25	9.2	5416	156.31	55			1.40	10	4890	141.12	55	1.55	11	4442	128.18	56	1.70	13	3941	113.72	56	1.90	20	2547	73.49	57	3.00	22	2259	65.20	58	3.30	24	2050	59.17	58	3.70	28	1762	50.86	58	4.30	11	4424	127.68	26	0.90	12	4007	115.63	28	1.00	14	3553	102.53	30	1.15	16	3212	92.70	32	1.25	18	2723	78.57	32	1.50	20	2525	72.88	31	1.60	22	2273	65.60	30	1.80	24	2059	59.41	30	1.95	27	1825	52.68	29	2.20	30	1650	47.63	28	2.50	36	1399	40.37	27	2.90	20	2501	72.17	21	1.15	22	2260	65.21	23	1.25	24	2076	59.92	23	1.35	27	1844	53.21	22	1.55	30	1649	47.58	22	1.70	34	1482	42.78	21	1.90	39	1287	37.13	21	2.20	43	1152	33.25	20	2.40	52	956	27.58	19	2.60	45	1111	32.05	20	2.20	53	942	27.19	19	2.60	58	867	25.03	19	3.10	64	775	22.37	18	3.30	71	698	20.14	17	3.50	79	632	18.24	17	3.70	89	560	16.17	16	4.00	30	1656	47.79	15	0.90	34	1453	41.92	16	1.00	39	1282	37.00	16	1.15	44	1137	32.80	16	1.30	51	970	28.00	15	1.45	52	969	27.96	15	1.50	61	815	23.51	15	1.80	67	748	21.60	14	1.90	75	665	19.18	14	2.00	84	594	17.15	14	2.20	93	534	15.42	13	2.40	108	464	13.38	13	2.60	120	415	11.98	12	2.80	145	344	9.94	12	3.20	157	317	9.15	12	3.60	175	285	8.23	11	3.80	202	247	7.14	11	4.10	77	651	18.80	8.8	1.15	81	617	17.82	8.9	1.20	92	541	15.60	8.7	1.30	102	487	14.05	8.5	1.40	117	427	12.33	8.3	1.50	132	377	10.88	8.0	1.65	149	334	9.64	7.8	1.80	168	298	8.59	7.7	2.00	186	268	7.74	7.5	2.20	212	235	6.79	7.2	2.30	240	208	5.99	7.0	2.50	271	184	5.31	6.7	2.60																																																																																																																																																																																																																																																																																															
8.8	5682	109.31	69	2.20					10	4917	94.60	69	2.50	12	4339					83.47	70	2.80	5.6	8883			128.18	42			0.85	6.3	7881			113.72	50	0.95	GR149 GRF149			6P	7.0	7152	103.20	51	1.05			8.1			6147	88.70	53	1.20			5.5			9065	174.40	41	0.85					6.1	8125	156.31	49	0.95	6.8			7335	141.12	51			1.05	7.5			6663	128.18	53	1.15	8.4			5911	113.72	54	1.30	9.3	5364	103.20	55	1.40			6.5	7714	222.60	50	1.00			7.6	6530	188.45	53	1.15			8.3	6043	174.40	54	1.25	9.2	5416	156.31	55			1.40	10	4890	141.12	55	1.55	11	4442	128.18	56	1.70	13	3941	113.72	56	1.90	20	2547	73.49	57	3.00	22	2259	65.20	58	3.30	24	2050	59.17	58	3.70	28	1762	50.86	58	4.30	11	4424	127.68	26	0.90	12	4007	115.63	28	1.00	14	3553	102.53	30	1.15	16	3212	92.70	32	1.25	18	2723	78.57	32	1.50	20	2525	72.88	31	1.60	22	2273	65.60	30	1.80	24	2059	59.41	30	1.95	27	1825	52.68	29	2.20	30	1650	47.63	28	2.50	36	1399	40.37	27	2.90	20	2501	72.17	21	1.15	22	2260	65.21	23	1.25	24	2076	59.92	23	1.35	27	1844	53.21	22	1.55	30	1649	47.58	22	1.70	34	1482	42.78	21	1.90	39	1287	37.13	21	2.20	43	1152	33.25	20	2.40	52	956	27.58	19	2.60	45	1111	32.05	20	2.20	53	942	27.19	19	2.60	58	867	25.03	19	3.10	64	775	22.37	18	3.30	71	698	20.14	17	3.50	79	632	18.24	17	3.70	89	560	16.17	16	4.00	30	1656	47.79	15	0.90	34	1453	41.92	16	1.00	39	1282	37.00	16	1.15	44	1137	32.80	16	1.30	51	970	28.00	15	1.45	52	969	27.96	15	1.50	61	815	23.51	15	1.80	67	748	21.60	14	1.90	75	665	19.18	14	2.00	84	594	17.15	14	2.20	93	534	15.42	13	2.40	108	464	13.38	13	2.60	120	415	11.98	12	2.80	145	344	9.94	12	3.20	157	317	9.15	12	3.60	175	285	8.23	11	3.80	202	247	7.14	11	4.10	77	651	18.80	8.8	1.15	81	617	17.82	8.9	1.20	92	541	15.60	8.7	1.30	102	487	14.05	8.5	1.40	117	427	12.33	8.3	1.50	132	377	10.88	8.0	1.65	149	334	9.64	7.8	1.80	168	298	8.59	7.7	2.00	186	268	7.74	7.5	2.20	212	235	6.79	7.2	2.30	240	208	5.99	7.0	2.50	271	184	5.31	6.7	2.60																																																																																																																																																																																																																																																																																																								
10	4917	94.60	69	2.50					12	4339	83.47	70	2.80	5.6	8883					128.18	42	0.85	6.3	7881			113.72	50			0.95	GR149 GRF149	6P	7.0	7152	103.20	51	1.05					8.1	6147	88.70	53	1.20			5.5			9065	174.40	41	0.85			6.1			8125	156.31	49	0.95					6.8	7335	141.12	51	1.05	7.5			6663	128.18	53			1.15	8.4	5911	113.72	54	1.30	9.3	5364	103.20			55	1.40	6.5	7714	222.60	50	1.00	7.6	6530			188.45	53	1.15	8.3	6043			174.40	54	1.25	9.2	5416			156.31	55	1.40	10	4890	141.12	55	1.55	11	4442	128.18	56	1.70	13	3941	113.72	56	1.90	20	2547	73.49	57	3.00	22	2259	65.20	58	3.30	24	2050	59.17	58	3.70	28	1762	50.86	58	4.30	11	4424	127.68	26	0.90	12	4007	115.63	28	1.00	14	3553	102.53	30	1.15	16	3212	92.70	32	1.25	18	2723	78.57	32	1.50	20	2525	72.88	31	1.60	22	2273	65.60	30	1.80	24	2059	59.41	30	1.95	27	1825	52.68	29	2.20	30	1650	47.63	28	2.50	36	1399	40.37	27	2.90	20	2501	72.17	21	1.15	22	2260	65.21	23	1.25	24	2076	59.92	23	1.35	27	1844	53.21	22	1.55	30	1649	47.58	22	1.70	34	1482	42.78	21	1.90	39	1287	37.13	21	2.20	43	1152	33.25	20	2.40	52	956	27.58	19	2.60	45	1111	32.05	20	2.20	53	942	27.19	19	2.60	58	867	25.03	19	3.10	64	775	22.37	18	3.30	71	698	20.14	17	3.50	79	632	18.24	17	3.70	89	560	16.17	16	4.00	30	1656	47.79	15	0.90	34	1453	41.92	16	1.00	39	1282	37.00	16	1.15	44	1137	32.80	16	1.30	51	970	28.00	15	1.45	52	969	27.96	15	1.50	61	815	23.51	15	1.80	67	748	21.60	14	1.90	75	665	19.18	14	2.00	84	594	17.15	14	2.20	93	534	15.42	13	2.40	108	464	13.38	13	2.60	120	415	11.98	12	2.80	145	344	9.94	12	3.20	157	317	9.15	12	3.60	175	285	8.23	11	3.80	202	247	7.14	11	4.10	77	651	18.80	8.8	1.15	81	617	17.82	8.9	1.20	92	541	15.60	8.7	1.30	102	487	14.05	8.5	1.40	117	427	12.33	8.3	1.50	132	377	10.88	8.0	1.65	149	334	9.64	7.8	1.80	168	298	8.59	7.7	2.00	186	268	7.74	7.5	2.20	212	235	6.79	7.2	2.30	240	208	5.99	7.0	2.50	271	184	5.31	6.7	2.60																																																																																																																																																																																																																																																																																																																	
12	4339	83.47	70	2.80					5.6	8883	128.18	42	0.85	6.3	7881					113.72	50	0.95	GR149 GRF149	6P	7.0	7152	103.20	51			1.05			8.1	6147	88.70	53	1.20					5.5	9065	174.40	41	0.85			6.1			8125	156.31	49	0.95			6.8			7335	141.12	51	1.05					7.5	6663	128.18	53	1.15	8.4	5911	113.72	54	1.30	9.3			5364	103.20	55	1.40	6.5	7714	222.60	50	1.00			7.6	6530	188.45	53	1.15	8.3	6043	174.40	54			1.25	9.2	5416	156.31	55			1.40	10	4890	141.12	55	1.55	11	4442	128.18	56	1.70	13	3941	113.72	56	1.90	20	2547	73.49	57	3.00	22	2259	65.20	58	3.30	24	2050	59.17	58	3.70	28	1762	50.86	58	4.30	11	4424	127.68	26	0.90	12	4007	115.63	28	1.00	14	3553	102.53	30	1.15	16	3212	92.70	32	1.25	18	2723	78.57	32	1.50	20	2525	72.88	31	1.60	22	2273	65.60	30	1.80	24	2059	59.41	30	1.95	27	1825	52.68	29	2.20	30	1650	47.63	28	2.50	36	1399	40.37	27	2.90	20	2501	72.17	21	1.15	22	2260	65.21	23	1.25	24	2076	59.92	23	1.35	27	1844	53.21	22	1.55	30	1649	47.58	22	1.70	34	1482	42.78	21	1.90	39	1287	37.13	21	2.20	43	1152	33.25	20	2.40	52	956	27.58	19	2.60	45	1111	32.05	20	2.20	53	942	27.19	19	2.60	58	867	25.03	19	3.10	64	775	22.37	18	3.30	71	698	20.14	17	3.50	79	632	18.24	17	3.70	89	560	16.17	16	4.00	30	1656	47.79	15	0.90	34	1453	41.92	16	1.00	39	1282	37.00	16	1.15	44	1137	32.80	16	1.30	51	970	28.00	15	1.45	52	969	27.96	15	1.50	61	815	23.51	15	1.80	67	748	21.60	14	1.90	75	665	19.18	14	2.00	84	594	17.15	14	2.20	93	534	15.42	13	2.40	108	464	13.38	13	2.60	120	415	11.98	12	2.80	145	344	9.94	12	3.20	157	317	9.15	12	3.60	175	285	8.23	11	3.80	202	247	7.14	11	4.10	77	651	18.80	8.8	1.15	81	617	17.82	8.9	1.20	92	541	15.60	8.7	1.30	102	487	14.05	8.5	1.40	117	427	12.33	8.3	1.50	132	377	10.88	8.0	1.65	149	334	9.64	7.8	1.80	168	298	8.59	7.7	2.00	186	268	7.74	7.5	2.20	212	235	6.79	7.2	2.30	240	208	5.99	7.0	2.50	271	184	5.31	6.7	2.60																																																																																																																																																																																																																																																																																																																										
5.6	8883	128.18	42	0.85					6.3	7881	113.72	50	0.95	GR149 GRF149	6P	7.0	7152			103.20	51	1.05			8.1	6147	88.70	53			1.20			5.5	9065	174.40	41	0.85					6.1	8125	156.31	49	0.95			6.8			7335	141.12	51	1.05			7.5			6663	128.18	53	1.15		8.4	5911		113.72	54	1.30	9.3	5364	103.20	55	1.40	6.5	7714	222.60			50	1.00	7.6	6530	188.45	53	1.15	8.3	6043			174.40	54	1.25	9.2	5416	156.31	55	1.40	10			4890	141.12	55	1.55	11	4442	128.18	56	1.70	13	3941	113.72	56	1.90	20	2547	73.49	57	3.00	22	2259	65.20	58	3.30	24	2050	59.17	58	3.70	28	1762	50.86	58	4.30	11	4424	127.68	26	0.90	12	4007	115.63	28	1.00	14	3553	102.53	30	1.15	16	3212	92.70	32	1.25	18	2723	78.57	32	1.50	20	2525	72.88	31	1.60	22	2273	65.60	30	1.80	24	2059	59.41	30	1.95	27	1825	52.68	29	2.20	30	1650	47.63	28	2.50	36	1399	40.37	27	2.90	20	2501	72.17	21	1.15	22	2260	65.21	23	1.25	24	2076	59.92	23	1.35	27	1844	53.21	22	1.55	30	1649	47.58	22	1.70	34	1482	42.78	21	1.90	39	1287	37.13	21	2.20	43	1152	33.25	20	2.40	52	956	27.58	19	2.60	45	1111	32.05	20	2.20	53	942	27.19	19	2.60	58	867	25.03	19	3.10	64	775	22.37	18	3.30	71	698	20.14	17	3.50	79	632	18.24	17	3.70	89	560	16.17	16	4.00	30	1656	47.79	15	0.90	34	1453	41.92	16	1.00	39	1282	37.00	16	1.15	44	1137	32.80	16	1.30	51	970	28.00	15	1.45	52	969	27.96	15	1.50	61	815	23.51	15	1.80	67	748	21.60	14	1.90	75	665	19.18	14	2.00	84	594	17.15	14	2.20	93	534	15.42	13	2.40	108	464	13.38	13	2.60	120	415	11.98	12	2.80	145	344	9.94	12	3.20	157	317	9.15	12	3.60	175	285	8.23	11	3.80	202	247	7.14	11	4.10	77	651	18.80	8.8	1.15	81	617	17.82	8.9	1.20	92	541	15.60	8.7	1.30	102	487	14.05	8.5	1.40	117	427	12.33	8.3	1.50	132	377	10.88	8.0	1.65	149	334	9.64	7.8	1.80	168	298	8.59	7.7	2.00	186	268	7.74	7.5	2.20	212	235	6.79	7.2	2.30	240	208	5.99	7.0	2.50	271	184	5.31	6.7	2.60																																																																																																																																																																																																																																																																																																																																			
6.3	7881	113.72	50	0.95			GR149 GRF149	6P	7.0	7152	103.20	51	1.05			8.1	6147			88.70	53	1.20			5.5	9065	174.40	41			0.85			6.1	8125	156.31	49	0.95					6.8	7335	141.12	51	1.05			7.5			6663	128.18	53	1.15			8.4	5911	113.72	54	1.30	9.3	5364		103.20	55		1.40	6.5	7714	222.60	50	1.00	7.6	6530	188.45	53	1.15			8.3	6043	174.40	54	1.25	9.2	5416	156.31	55			1.40	10	4890	141.12	55	1.55	11	4442	128.18	56	1.70	13	3941	113.72	56	1.90	20	2547	73.49	57	3.00	22	2259	65.20	58	3.30	24	2050	59.17	58	3.70	28	1762	50.86	58	4.30	11	4424	127.68	26	0.90	12	4007	115.63	28	1.00	14	3553	102.53	30	1.15	16	3212	92.70	32	1.25	18	2723	78.57	32	1.50	20	2525	72.88	31	1.60	22	2273	65.60	30	1.80	24	2059	59.41	30	1.95	27	1825	52.68	29	2.20	30	1650	47.63	28	2.50	36	1399	40.37	27	2.90	20	2501	72.17	21	1.15	22	2260	65.21	23	1.25	24	2076	59.92	23	1.35	27	1844	53.21	22	1.55	30	1649	47.58	22	1.70	34	1482	42.78	21	1.90	39	1287	37.13	21	2.20	43	1152	33.25	20	2.40	52	956	27.58	19	2.60	45	1111	32.05	20	2.20	53	942	27.19	19	2.60	58	867	25.03	19	3.10	64	775	22.37	18	3.30	71	698	20.14	17	3.50	79	632	18.24	17	3.70	89	560	16.17	16	4.00	30	1656	47.79	15	0.90	34	1453	41.92	16	1.00	39	1282	37.00	16	1.15	44	1137	32.80	16	1.30	51	970	28.00	15	1.45	52	969	27.96	15	1.50	61	815	23.51	15	1.80	67	748	21.60	14	1.90	75	665	19.18	14	2.00	84	594	17.15	14	2.20	93	534	15.42	13	2.40	108	464	13.38	13	2.60	120	415	11.98	12	2.80	145	344	9.94	12	3.20	157	317	9.15	12	3.60	175	285	8.23	11	3.80	202	247	7.14	11	4.10	77	651	18.80	8.8	1.15	81	617	17.82	8.9	1.20	92	541	15.60	8.7	1.30	102	487	14.05	8.5	1.40	117	427	12.33	8.3	1.50	132	377	10.88	8.0	1.65	149	334	9.64	7.8	1.80	168	298	8.59	7.7	2.00	186	268	7.74	7.5	2.20	212	235	6.79	7.2	2.30	240	208	5.99	7.0	2.50	271	184	5.31	6.7	2.60																																																																																																																																																																																																																																																																																																																																												
7.0	7152	103.20	51	1.05					8.1	6147	88.70	53	1.20			5.5	9065			174.40	41	0.85			6.1	8125	156.31	49			0.95			6.8	7335	141.12	51	1.05					7.5	6663	128.18	53	1.15			8.4	5911	113.72	54	1.30	9.3	5364			103.20	55	1.40	6.5	7714	222.60	50		1.00	7.6		6530	188.45	53	1.15	8.3	6043	174.40	54	1.25	9.2	5416			156.31	55	1.40	10	4890	141.12	55	1.55	11	4442	128.18	56	1.70	13	3941	113.72	56	1.90	20	2547	73.49	57	3.00	22	2259	65.20	58	3.30	24	2050	59.17	58	3.70	28	1762	50.86	58	4.30	11	4424	127.68	26	0.90	12	4007	115.63	28	1.00	14	3553	102.53	30	1.15	16	3212	92.70	32	1.25	18	2723	78.57	32	1.50	20	2525	72.88	31	1.60	22	2273	65.60	30	1.80	24	2059	59.41	30	1.95	27	1825	52.68	29	2.20	30	1650	47.63	28	2.50	36	1399	40.37	27	2.90	20	2501	72.17	21	1.15	22	2260	65.21	23	1.25	24	2076	59.92	23	1.35	27	1844	53.21	22	1.55	30	1649	47.58	22	1.70	34	1482	42.78	21	1.90	39	1287	37.13	21	2.20	43	1152	33.25	20	2.40	52	956	27.58	19	2.60	45	1111	32.05	20	2.20	53	942	27.19	19	2.60	58	867	25.03	19	3.10	64	775	22.37	18	3.30	71	698	20.14	17	3.50	79	632	18.24	17	3.70	89	560	16.17	16	4.00	30	1656	47.79	15	0.90	34	1453	41.92	16	1.00	39	1282	37.00	16	1.15	44	1137	32.80	16	1.30	51	970	28.00	15	1.45	52	969	27.96	15	1.50	61	815	23.51	15	1.80	67	748	21.60	14	1.90	75	665	19.18	14	2.00	84	594	17.15	14	2.20	93	534	15.42	13	2.40	108	464	13.38	13	2.60	120	415	11.98	12	2.80	145	344	9.94	12	3.20	157	317	9.15	12	3.60	175	285	8.23	11	3.80	202	247	7.14	11	4.10	77	651	18.80	8.8	1.15	81	617	17.82	8.9	1.20	92	541	15.60	8.7	1.30	102	487	14.05	8.5	1.40	117	427	12.33	8.3	1.50	132	377	10.88	8.0	1.65	149	334	9.64	7.8	1.80	168	298	8.59	7.7	2.00	186	268	7.74	7.5	2.20	212	235	6.79	7.2	2.30	240	208	5.99	7.0	2.50	271	184	5.31	6.7	2.60																																																																																																																																																																																																																																																																																																																																																					
8.1	6147	88.70	53	1.20					5.5	9065	174.40	41	0.85			6.1	8125			156.31	49	0.95			6.8	7335	141.12	51			1.05			7.5	6663	128.18	53	1.15		8.4	5911		113.72	54	1.30	9.3	5364			103.20	55	1.40	6.5	7714	222.60	50			1.00	7.6	6530	188.45	53	1.15	8.3		6043	174.40		54	1.25	9.2	5416	156.31	55	1.40	10	4890	141.12	55	1.55	11	4442	128.18	56	1.70	13	3941	113.72	56	1.90	20	2547	73.49	57	3.00	22	2259	65.20	58	3.30	24	2050	59.17	58	3.70	28	1762	50.86	58	4.30	11	4424	127.68	26	0.90	12	4007	115.63	28	1.00	14	3553	102.53	30	1.15	16	3212	92.70	32	1.25	18	2723	78.57	32	1.50	20	2525	72.88	31	1.60	22	2273	65.60	30	1.80	24	2059	59.41	30	1.95	27	1825	52.68	29	2.20	30	1650	47.63	28	2.50	36	1399	40.37	27	2.90	20	2501	72.17	21	1.15	22	2260	65.21	23	1.25	24	2076	59.92	23	1.35	27	1844	53.21	22	1.55	30	1649	47.58	22	1.70	34	1482	42.78	21	1.90	39	1287	37.13	21	2.20	43	1152	33.25	20	2.40	52	956	27.58	19	2.60	45	1111	32.05	20	2.20	53	942	27.19	19	2.60	58	867	25.03	19	3.10	64	775	22.37	18	3.30	71	698	20.14	17	3.50	79	632	18.24	17	3.70	89	560	16.17	16	4.00	30	1656	47.79	15	0.90	34	1453	41.92	16	1.00	39	1282	37.00	16	1.15	44	1137	32.80	16	1.30	51	970	28.00	15	1.45	52	969	27.96	15	1.50	61	815	23.51	15	1.80	67	748	21.60	14	1.90	75	665	19.18	14	2.00	84	594	17.15	14	2.20	93	534	15.42	13	2.40	108	464	13.38	13	2.60	120	415	11.98	12	2.80	145	344	9.94	12	3.20	157	317	9.15	12	3.60	175	285	8.23	11	3.80	202	247	7.14	11	4.10	77	651	18.80	8.8	1.15	81	617	17.82	8.9	1.20	92	541	15.60	8.7	1.30	102	487	14.05	8.5	1.40	117	427	12.33	8.3	1.50	132	377	10.88	8.0	1.65	149	334	9.64	7.8	1.80	168	298	8.59	7.7	2.00	186	268	7.74	7.5	2.20	212	235	6.79	7.2	2.30	240	208	5.99	7.0	2.50	271	184	5.31	6.7	2.60																																																																																																																																																																																																																																																																																																																																																														
5.5	9065	174.40	41	0.85					6.1	8125	156.31	49	0.95			6.8	7335			141.12	51	1.05			7.5	6663	128.18	53	1.15	8.4	5911			113.72	54	1.30	9.3	5364		103.20	55		1.40	6.5	7714	222.60	50			1.00	7.6	6530	188.45	53	1.15	8.3			6043	174.40	54	1.25	9.2	5416	156.31	55	1.40	10	4890	141.12	55	1.55	11	4442	128.18	56	1.70	13	3941	113.72	56	1.90	20	2547	73.49	57	3.00	22	2259	65.20	58	3.30	24	2050	59.17	58	3.70	28	1762	50.86	58	4.30	11	4424	127.68	26	0.90	12	4007	115.63	28	1.00	14	3553	102.53	30	1.15	16	3212	92.70	32	1.25	18	2723	78.57	32	1.50	20	2525	72.88	31	1.60	22	2273	65.60	30	1.80	24	2059	59.41	30	1.95	27	1825	52.68	29	2.20	30	1650	47.63	28	2.50	36	1399	40.37	27	2.90	20	2501	72.17	21	1.15	22	2260	65.21	23	1.25	24	2076	59.92	23	1.35	27	1844	53.21	22	1.55	30	1649	47.58	22	1.70	34	1482	42.78	21	1.90	39	1287	37.13	21	2.20	43	1152	33.25	20	2.40	52	956	27.58	19	2.60	45	1111	32.05	20	2.20	53	942	27.19	19	2.60	58	867	25.03	19	3.10	64	775	22.37	18	3.30	71	698	20.14	17	3.50	79	632	18.24	17	3.70	89	560	16.17	16	4.00	30	1656	47.79	15	0.90	34	1453	41.92	16	1.00	39	1282	37.00	16	1.15	44	1137	32.80	16	1.30	51	970	28.00	15	1.45	52	969	27.96	15	1.50	61	815	23.51	15	1.80	67	748	21.60	14	1.90	75	665	19.18	14	2.00	84	594	17.15	14	2.20	93	534	15.42	13	2.40	108	464	13.38	13	2.60	120	415	11.98	12	2.80	145	344	9.94	12	3.20	157	317	9.15	12	3.60	175	285	8.23	11	3.80	202	247	7.14	11	4.10	77	651	18.80	8.8	1.15	81	617	17.82	8.9	1.20	92	541	15.60	8.7	1.30	102	487	14.05	8.5	1.40	117	427	12.33	8.3	1.50	132	377	10.88	8.0	1.65	149	334	9.64	7.8	1.80	168	298	8.59	7.7	2.00	186	268	7.74	7.5	2.20	212	235	6.79	7.2	2.30	240	208	5.99	7.0	2.50	271	184	5.31	6.7	2.60																																																																																																																																																																																																																																																																																																																																																																							
6.1	8125	156.31	49	0.95					6.8	7335	141.12	51	1.05			7.5	6663	128.18	53	1.15	8.4	5911			113.72	54	1.30	9.3	5364	103.20	55			1.40	6.5	7714	222.60	50		1.00	7.6		6530	188.45	53	1.15	8.3			6043	174.40	54	1.25	9.2	5416	156.31	55	1.40	10	4890	141.12	55	1.55	11	4442	128.18	56	1.70	13	3941	113.72	56	1.90	20	2547	73.49	57	3.00	22	2259	65.20	58	3.30	24	2050	59.17	58	3.70	28	1762	50.86	58	4.30	11	4424	127.68	26	0.90	12	4007	115.63	28	1.00	14	3553	102.53	30	1.15	16	3212	92.70	32	1.25	18	2723	78.57	32	1.50	20	2525	72.88	31	1.60	22	2273	65.60	30	1.80	24	2059	59.41	30	1.95	27	1825	52.68	29	2.20	30	1650	47.63	28	2.50	36	1399	40.37	27	2.90	20	2501	72.17	21	1.15	22	2260	65.21	23	1.25	24	2076	59.92	23	1.35	27	1844	53.21	22	1.55	30	1649	47.58	22	1.70	34	1482	42.78	21	1.90	39	1287	37.13	21	2.20	43	1152	33.25	20	2.40	52	956	27.58	19	2.60	45	1111	32.05	20	2.20	53	942	27.19	19	2.60	58	867	25.03	19	3.10	64	775	22.37	18	3.30	71	698	20.14	17	3.50	79	632	18.24	17	3.70	89	560	16.17	16	4.00	30	1656	47.79	15	0.90	34	1453	41.92	16	1.00	39	1282	37.00	16	1.15	44	1137	32.80	16	1.30	51	970	28.00	15	1.45	52	969	27.96	15	1.50	61	815	23.51	15	1.80	67	748	21.60	14	1.90	75	665	19.18	14	2.00	84	594	17.15	14	2.20	93	534	15.42	13	2.40	108	464	13.38	13	2.60	120	415	11.98	12	2.80	145	344	9.94	12	3.20	157	317	9.15	12	3.60	175	285	8.23	11	3.80	202	247	7.14	11	4.10	77	651	18.80	8.8	1.15	81	617	17.82	8.9	1.20	92	541	15.60	8.7	1.30	102	487	14.05	8.5	1.40	117	427	12.33	8.3	1.50	132	377	10.88	8.0	1.65	149	334	9.64	7.8	1.80	168	298	8.59	7.7	2.00	186	268	7.74	7.5	2.20	212	235	6.79	7.2	2.30	240	208	5.99	7.0	2.50	271	184	5.31	6.7	2.60																																																																																																																																																																																																																																																																																																																																																																																
6.8	7335	141.12	51	1.05	7.5	6663			128.18	53	1.15	8.4	5911			113.72	54	1.30	9.3	5364	103.20	55			1.40	6.5	7714	222.60	50	1.00	7.6			6530	188.45	53	1.15	8.3		6043	174.40		54	1.25	9.2	5416	156.31	55	1.40	10	4890	141.12	55	1.55	11	4442	128.18	56	1.70	13	3941	113.72	56	1.90	20	2547	73.49	57	3.00	22	2259	65.20	58	3.30	24	2050	59.17	58	3.70	28	1762	50.86	58	4.30	11	4424	127.68	26	0.90	12	4007	115.63	28	1.00	14	3553	102.53	30	1.15	16	3212	92.70	32	1.25	18	2723	78.57	32	1.50	20	2525	72.88	31	1.60	22	2273	65.60	30	1.80	24	2059	59.41	30	1.95	27	1825	52.68	29	2.20	30	1650	47.63	28	2.50	36	1399	40.37	27	2.90	20	2501	72.17	21	1.15	22	2260	65.21	23	1.25	24	2076	59.92	23	1.35	27	1844	53.21	22	1.55	30	1649	47.58	22	1.70	34	1482	42.78	21	1.90	39	1287	37.13	21	2.20	43	1152	33.25	20	2.40	52	956	27.58	19	2.60	45	1111	32.05	20	2.20	53	942	27.19	19	2.60	58	867	25.03	19	3.10	64	775	22.37	18	3.30	71	698	20.14	17	3.50	79	632	18.24	17	3.70	89	560	16.17	16	4.00	30	1656	47.79	15	0.90	34	1453	41.92	16	1.00	39	1282	37.00	16	1.15	44	1137	32.80	16	1.30	51	970	28.00	15	1.45	52	969	27.96	15	1.50	61	815	23.51	15	1.80	67	748	21.60	14	1.90	75	665	19.18	14	2.00	84	594	17.15	14	2.20	93	534	15.42	13	2.40	108	464	13.38	13	2.60	120	415	11.98	12	2.80	145	344	9.94	12	3.20	157	317	9.15	12	3.60	175	285	8.23	11	3.80	202	247	7.14	11	4.10	77	651	18.80	8.8	1.15	81	617	17.82	8.9	1.20	92	541	15.60	8.7	1.30	102	487	14.05	8.5	1.40	117	427	12.33	8.3	1.50	132	377	10.88	8.0	1.65	149	334	9.64	7.8	1.80	168	298	8.59	7.7	2.00	186	268	7.74	7.5	2.20	212	235	6.79	7.2	2.30	240	208	5.99	7.0	2.50	271	184	5.31	6.7	2.60																																																																																																																																																																																																																																																																																																																																																																																									
7.5	6663	128.18	53	1.15	8.4	5911			113.72	54	1.30	9.3	5364			103.20	55	1.40	6.5	7714	222.60	50			1.00	7.6	6530	188.45	53	1.15	8.3			6043	174.40	54	1.25	9.2	5416	156.31	55	1.40	10	4890	141.12	55	1.55	11	4442	128.18	56	1.70	13	3941	113.72	56	1.90	20	2547	73.49	57	3.00	22	2259	65.20	58	3.30	24	2050	59.17	58	3.70	28	1762	50.86	58	4.30	11	4424	127.68	26	0.90	12	4007	115.63	28	1.00	14	3553	102.53	30	1.15	16	3212	92.70	32	1.25	18	2723	78.57	32	1.50	20	2525	72.88	31	1.60	22	2273	65.60	30	1.80	24	2059	59.41	30	1.95	27	1825	52.68	29	2.20	30	1650	47.63	28	2.50	36	1399	40.37	27	2.90	20	2501	72.17	21	1.15	22	2260	65.21	23	1.25	24	2076	59.92	23	1.35	27	1844	53.21	22	1.55	30	1649	47.58	22	1.70	34	1482	42.78	21	1.90	39	1287	37.13	21	2.20	43	1152	33.25	20	2.40	52	956	27.58	19	2.60	45	1111	32.05	20	2.20	53	942	27.19	19	2.60	58	867	25.03	19	3.10	64	775	22.37	18	3.30	71	698	20.14	17	3.50	79	632	18.24	17	3.70	89	560	16.17	16	4.00	30	1656	47.79	15	0.90	34	1453	41.92	16	1.00	39	1282	37.00	16	1.15	44	1137	32.80	16	1.30	51	970	28.00	15	1.45	52	969	27.96	15	1.50	61	815	23.51	15	1.80	67	748	21.60	14	1.90	75	665	19.18	14	2.00	84	594	17.15	14	2.20	93	534	15.42	13	2.40	108	464	13.38	13	2.60	120	415	11.98	12	2.80	145	344	9.94	12	3.20	157	317	9.15	12	3.60	175	285	8.23	11	3.80	202	247	7.14	11	4.10	77	651	18.80	8.8	1.15	81	617	17.82	8.9	1.20	92	541	15.60	8.7	1.30	102	487	14.05	8.5	1.40	117	427	12.33	8.3	1.50	132	377	10.88	8.0	1.65	149	334	9.64	7.8	1.80	168	298	8.59	7.7	2.00	186	268	7.74	7.5	2.20	212	235	6.79	7.2	2.30	240	208	5.99	7.0	2.50	271	184	5.31	6.7	2.60																																																																																																																																																																																																																																																																																																																																																																																																
8.4	5911	113.72	54	1.30	9.3	5364			103.20	55	1.40	6.5	7714			222.60	50	1.00	7.6	6530	188.45	53			1.15	8.3	6043	174.40	54	1.25	9.2	5416	156.31	55	1.40	10	4890	141.12	55	1.55	11	4442	128.18	56	1.70	13	3941	113.72	56	1.90	20	2547	73.49	57	3.00	22	2259	65.20	58	3.30	24	2050	59.17	58	3.70	28	1762	50.86	58	4.30	11	4424	127.68	26	0.90	12	4007	115.63	28	1.00	14	3553	102.53	30	1.15	16	3212	92.70	32	1.25	18	2723	78.57	32	1.50	20	2525	72.88	31	1.60	22	2273	65.60	30	1.80	24	2059	59.41	30	1.95	27	1825	52.68	29	2.20	30	1650	47.63	28	2.50	36	1399	40.37	27	2.90	20	2501	72.17	21	1.15	22	2260	65.21	23	1.25	24	2076	59.92	23	1.35	27	1844	53.21	22	1.55	30	1649	47.58	22	1.70	34	1482	42.78	21	1.90	39	1287	37.13	21	2.20	43	1152	33.25	20	2.40	52	956	27.58	19	2.60	45	1111	32.05	20	2.20	53	942	27.19	19	2.60	58	867	25.03	19	3.10	64	775	22.37	18	3.30	71	698	20.14	17	3.50	79	632	18.24	17	3.70	89	560	16.17	16	4.00	30	1656	47.79	15	0.90	34	1453	41.92	16	1.00	39	1282	37.00	16	1.15	44	1137	32.80	16	1.30	51	970	28.00	15	1.45	52	969	27.96	15	1.50	61	815	23.51	15	1.80	67	748	21.60	14	1.90	75	665	19.18	14	2.00	84	594	17.15	14	2.20	93	534	15.42	13	2.40	108	464	13.38	13	2.60	120	415	11.98	12	2.80	145	344	9.94	12	3.20	157	317	9.15	12	3.60	175	285	8.23	11	3.80	202	247	7.14	11	4.10	77	651	18.80	8.8	1.15	81	617	17.82	8.9	1.20	92	541	15.60	8.7	1.30	102	487	14.05	8.5	1.40	117	427	12.33	8.3	1.50	132	377	10.88	8.0	1.65	149	334	9.64	7.8	1.80	168	298	8.59	7.7	2.00	186	268	7.74	7.5	2.20	212	235	6.79	7.2	2.30	240	208	5.99	7.0	2.50	271	184	5.31	6.7	2.60																																																																																																																																																																																																																																																																																																																																																																																																							
9.3	5364	103.20	55	1.40	6.5	7714			222.60	50	1.00	7.6	6530			188.45	53	1.15	8.3	6043	174.40	54	1.25	9.2	5416	156.31	55	1.40	10	4890	141.12	55	1.55	11	4442	128.18	56	1.70	13	3941	113.72	56	1.90	20	2547	73.49	57	3.00	22	2259	65.20	58	3.30	24	2050	59.17	58	3.70	28	1762	50.86	58	4.30	11	4424	127.68	26	0.90	12	4007	115.63	28	1.00	14	3553	102.53	30	1.15	16	3212	92.70	32	1.25	18	2723	78.57	32	1.50	20	2525	72.88	31	1.60	22	2273	65.60	30	1.80	24	2059	59.41	30	1.95	27	1825	52.68	29	2.20	30	1650	47.63	28	2.50	36	1399	40.37	27	2.90	20	2501	72.17	21	1.15	22	2260	65.21	23	1.25	24	2076	59.92	23	1.35	27	1844	53.21	22	1.55	30	1649	47.58	22	1.70	34	1482	42.78	21	1.90	39	1287	37.13	21	2.20	43	1152	33.25	20	2.40	52	956	27.58	19	2.60	45	1111	32.05	20	2.20	53	942	27.19	19	2.60	58	867	25.03	19	3.10	64	775	22.37	18	3.30	71	698	20.14	17	3.50	79	632	18.24	17	3.70	89	560	16.17	16	4.00	30	1656	47.79	15	0.90	34	1453	41.92	16	1.00	39	1282	37.00	16	1.15	44	1137	32.80	16	1.30	51	970	28.00	15	1.45	52	969	27.96	15	1.50	61	815	23.51	15	1.80	67	748	21.60	14	1.90	75	665	19.18	14	2.00	84	594	17.15	14	2.20	93	534	15.42	13	2.40	108	464	13.38	13	2.60	120	415	11.98	12	2.80	145	344	9.94	12	3.20	157	317	9.15	12	3.60	175	285	8.23	11	3.80	202	247	7.14	11	4.10	77	651	18.80	8.8	1.15	81	617	17.82	8.9	1.20	92	541	15.60	8.7	1.30	102	487	14.05	8.5	1.40	117	427	12.33	8.3	1.50	132	377	10.88	8.0	1.65	149	334	9.64	7.8	1.80	168	298	8.59	7.7	2.00	186	268	7.74	7.5	2.20	212	235	6.79	7.2	2.30	240	208	5.99	7.0	2.50	271	184	5.31	6.7	2.60																																																																																																																																																																																																																																																																																																																																																																																																														
6.5	7714	222.60	50	1.00	7.6	6530			188.45	53	1.15	8.3	6043	174.40	54	1.25	9.2	5416	156.31	55	1.40	10	4890	141.12	55	1.55	11	4442	128.18	56	1.70	13	3941	113.72	56	1.90	20	2547	73.49	57	3.00	22	2259	65.20	58	3.30	24	2050	59.17	58	3.70	28	1762	50.86	58	4.30	11	4424	127.68	26	0.90	12	4007	115.63	28	1.00	14	3553	102.53	30	1.15	16	3212	92.70	32	1.25	18	2723	78.57	32	1.50	20	2525	72.88	31	1.60	22	2273	65.60	30	1.80	24	2059	59.41	30	1.95	27	1825	52.68	29	2.20	30	1650	47.63	28	2.50	36	1399	40.37	27	2.90	20	2501	72.17	21	1.15	22	2260	65.21	23	1.25	24	2076	59.92	23	1.35	27	1844	53.21	22	1.55	30	1649	47.58	22	1.70	34	1482	42.78	21	1.90	39	1287	37.13	21	2.20	43	1152	33.25	20	2.40	52	956	27.58	19	2.60	45	1111	32.05	20	2.20	53	942	27.19	19	2.60	58	867	25.03	19	3.10	64	775	22.37	18	3.30	71	698	20.14	17	3.50	79	632	18.24	17	3.70	89	560	16.17	16	4.00	30	1656	47.79	15	0.90	34	1453	41.92	16	1.00	39	1282	37.00	16	1.15	44	1137	32.80	16	1.30	51	970	28.00	15	1.45	52	969	27.96	15	1.50	61	815	23.51	15	1.80	67	748	21.60	14	1.90	75	665	19.18	14	2.00	84	594	17.15	14	2.20	93	534	15.42	13	2.40	108	464	13.38	13	2.60	120	415	11.98	12	2.80	145	344	9.94	12	3.20	157	317	9.15	12	3.60	175	285	8.23	11	3.80	202	247	7.14	11	4.10	77	651	18.80	8.8	1.15	81	617	17.82	8.9	1.20	92	541	15.60	8.7	1.30	102	487	14.05	8.5	1.40	117	427	12.33	8.3	1.50	132	377	10.88	8.0	1.65	149	334	9.64	7.8	1.80	168	298	8.59	7.7	2.00	186	268	7.74	7.5	2.20	212	235	6.79	7.2	2.30	240	208	5.99	7.0	2.50	271	184	5.31	6.7	2.60																																																																																																																																																																																																																																																																																																																																																																																																																					
7.6	6530	188.45	53	1.15	8.3	6043	174.40	54	1.25	9.2	5416	156.31	55	1.40	10	4890	141.12	55	1.55	11	4442	128.18	56	1.70	13	3941	113.72	56	1.90	20	2547	73.49	57	3.00	22	2259	65.20	58	3.30	24	2050	59.17	58	3.70	28	1762	50.86	58	4.30	11	4424	127.68	26	0.90	12	4007	115.63	28	1.00	14	3553	102.53	30	1.15	16	3212	92.70	32	1.25	18	2723	78.57	32	1.50	20	2525	72.88	31	1.60	22	2273	65.60	30	1.80	24	2059	59.41	30	1.95	27	1825	52.68	29	2.20	30	1650	47.63	28	2.50	36	1399	40.37	27	2.90	20	2501	72.17	21	1.15	22	2260	65.21	23	1.25	24	2076	59.92	23	1.35	27	1844	53.21	22	1.55	30	1649	47.58	22	1.70	34	1482	42.78	21	1.90	39	1287	37.13	21	2.20	43	1152	33.25	20	2.40	52	956	27.58	19	2.60	45	1111	32.05	20	2.20	53	942	27.19	19	2.60	58	867	25.03	19	3.10	64	775	22.37	18	3.30	71	698	20.14	17	3.50	79	632	18.24	17	3.70	89	560	16.17	16	4.00	30	1656	47.79	15	0.90	34	1453	41.92	16	1.00	39	1282	37.00	16	1.15	44	1137	32.80	16	1.30	51	970	28.00	15	1.45	52	969	27.96	15	1.50	61	815	23.51	15	1.80	67	748	21.60	14	1.90	75	665	19.18	14	2.00	84	594	17.15	14	2.20	93	534	15.42	13	2.40	108	464	13.38	13	2.60	120	415	11.98	12	2.80	145	344	9.94	12	3.20	157	317	9.15	12	3.60	175	285	8.23	11	3.80	202	247	7.14	11	4.10	77	651	18.80	8.8	1.15	81	617	17.82	8.9	1.20	92	541	15.60	8.7	1.30	102	487	14.05	8.5	1.40	117	427	12.33	8.3	1.50	132	377	10.88	8.0	1.65	149	334	9.64	7.8	1.80	168	298	8.59	7.7	2.00	186	268	7.74	7.5	2.20	212	235	6.79	7.2	2.30	240	208	5.99	7.0	2.50	271	184	5.31	6.7	2.60																																																																																																																																																																																																																																																																																																																																																																																																																												
8.3	6043	174.40	54	1.25	9.2	5416	156.31	55	1.40	10	4890	141.12	55	1.55	11	4442	128.18	56	1.70	13	3941	113.72	56	1.90	20	2547	73.49	57	3.00	22	2259	65.20	58	3.30	24	2050	59.17	58	3.70	28	1762	50.86	58	4.30	11	4424	127.68	26	0.90	12	4007	115.63	28	1.00	14	3553	102.53	30	1.15	16	3212	92.70	32	1.25	18	2723	78.57	32	1.50	20	2525	72.88	31	1.60	22	2273	65.60	30	1.80	24	2059	59.41	30	1.95	27	1825	52.68	29	2.20	30	1650	47.63	28	2.50	36	1399	40.37	27	2.90	20	2501	72.17	21	1.15	22	2260	65.21	23	1.25	24	2076	59.92	23	1.35	27	1844	53.21	22	1.55	30	1649	47.58	22	1.70	34	1482	42.78	21	1.90	39	1287	37.13	21	2.20	43	1152	33.25	20	2.40	52	956	27.58	19	2.60	45	1111	32.05	20	2.20	53	942	27.19	19	2.60	58	867	25.03	19	3.10	64	775	22.37	18	3.30	71	698	20.14	17	3.50	79	632	18.24	17	3.70	89	560	16.17	16	4.00	30	1656	47.79	15	0.90	34	1453	41.92	16	1.00	39	1282	37.00	16	1.15	44	1137	32.80	16	1.30	51	970	28.00	15	1.45	52	969	27.96	15	1.50	61	815	23.51	15	1.80	67	748	21.60	14	1.90	75	665	19.18	14	2.00	84	594	17.15	14	2.20	93	534	15.42	13	2.40	108	464	13.38	13	2.60	120	415	11.98	12	2.80	145	344	9.94	12	3.20	157	317	9.15	12	3.60	175	285	8.23	11	3.80	202	247	7.14	11	4.10	77	651	18.80	8.8	1.15	81	617	17.82	8.9	1.20	92	541	15.60	8.7	1.30	102	487	14.05	8.5	1.40	117	427	12.33	8.3	1.50	132	377	10.88	8.0	1.65	149	334	9.64	7.8	1.80	168	298	8.59	7.7	2.00	186	268	7.74	7.5	2.20	212	235	6.79	7.2	2.30	240	208	5.99	7.0	2.50	271	184	5.31	6.7	2.60																																																																																																																																																																																																																																																																																																																																																																																																																																	
9.2	5416	156.31	55	1.40	10	4890	141.12	55	1.55	11	4442	128.18	56	1.70	13	3941	113.72	56	1.90	20	2547	73.49	57	3.00	22	2259	65.20	58	3.30	24	2050	59.17	58	3.70	28	1762	50.86	58	4.30	11	4424	127.68	26	0.90	12	4007	115.63	28	1.00	14	3553	102.53	30	1.15	16	3212	92.70	32	1.25	18	2723	78.57	32	1.50	20	2525	72.88	31	1.60	22	2273	65.60	30	1.80	24	2059	59.41	30	1.95	27	1825	52.68	29	2.20	30	1650	47.63	28	2.50	36	1399	40.37	27	2.90	20	2501	72.17	21	1.15	22	2260	65.21	23	1.25	24	2076	59.92	23	1.35	27	1844	53.21	22	1.55	30	1649	47.58	22	1.70	34	1482	42.78	21	1.90	39	1287	37.13	21	2.20	43	1152	33.25	20	2.40	52	956	27.58	19	2.60	45	1111	32.05	20	2.20	53	942	27.19	19	2.60	58	867	25.03	19	3.10	64	775	22.37	18	3.30	71	698	20.14	17	3.50	79	632	18.24	17	3.70	89	560	16.17	16	4.00	30	1656	47.79	15	0.90	34	1453	41.92	16	1.00	39	1282	37.00	16	1.15	44	1137	32.80	16	1.30	51	970	28.00	15	1.45	52	969	27.96	15	1.50	61	815	23.51	15	1.80	67	748	21.60	14	1.90	75	665	19.18	14	2.00	84	594	17.15	14	2.20	93	534	15.42	13	2.40	108	464	13.38	13	2.60	120	415	11.98	12	2.80	145	344	9.94	12	3.20	157	317	9.15	12	3.60	175	285	8.23	11	3.80	202	247	7.14	11	4.10	77	651	18.80	8.8	1.15	81	617	17.82	8.9	1.20	92	541	15.60	8.7	1.30	102	487	14.05	8.5	1.40	117	427	12.33	8.3	1.50	132	377	10.88	8.0	1.65	149	334	9.64	7.8	1.80	168	298	8.59	7.7	2.00	186	268	7.74	7.5	2.20	212	235	6.79	7.2	2.30	240	208	5.99	7.0	2.50	271	184	5.31	6.7	2.60																																																																																																																																																																																																																																																																																																																																																																																																																																						
10	4890	141.12	55	1.55	11	4442	128.18	56	1.70	13	3941	113.72	56	1.90	20	2547	73.49	57	3.00	22	2259	65.20	58	3.30	24	2050	59.17	58	3.70	28	1762	50.86	58	4.30	11	4424	127.68	26	0.90	12	4007	115.63	28	1.00	14	3553	102.53	30	1.15	16	3212	92.70	32	1.25	18	2723	78.57	32	1.50	20	2525	72.88	31	1.60	22	2273	65.60	30	1.80	24	2059	59.41	30	1.95	27	1825	52.68	29	2.20	30	1650	47.63	28	2.50	36	1399	40.37	27	2.90	20	2501	72.17	21	1.15	22	2260	65.21	23	1.25	24	2076	59.92	23	1.35	27	1844	53.21	22	1.55	30	1649	47.58	22	1.70	34	1482	42.78	21	1.90	39	1287	37.13	21	2.20	43	1152	33.25	20	2.40	52	956	27.58	19	2.60	45	1111	32.05	20	2.20	53	942	27.19	19	2.60	58	867	25.03	19	3.10	64	775	22.37	18	3.30	71	698	20.14	17	3.50	79	632	18.24	17	3.70	89	560	16.17	16	4.00	30	1656	47.79	15	0.90	34	1453	41.92	16	1.00	39	1282	37.00	16	1.15	44	1137	32.80	16	1.30	51	970	28.00	15	1.45	52	969	27.96	15	1.50	61	815	23.51	15	1.80	67	748	21.60	14	1.90	75	665	19.18	14	2.00	84	594	17.15	14	2.20	93	534	15.42	13	2.40	108	464	13.38	13	2.60	120	415	11.98	12	2.80	145	344	9.94	12	3.20	157	317	9.15	12	3.60	175	285	8.23	11	3.80	202	247	7.14	11	4.10	77	651	18.80	8.8	1.15	81	617	17.82	8.9	1.20	92	541	15.60	8.7	1.30	102	487	14.05	8.5	1.40	117	427	12.33	8.3	1.50	132	377	10.88	8.0	1.65	149	334	9.64	7.8	1.80	168	298	8.59	7.7	2.00	186	268	7.74	7.5	2.20	212	235	6.79	7.2	2.30	240	208	5.99	7.0	2.50	271	184	5.31	6.7	2.60																																																																																																																																																																																																																																																																																																																																																																																																																																											
11	4442	128.18	56	1.70	13	3941	113.72	56	1.90	20	2547	73.49	57	3.00	22	2259	65.20	58	3.30	24	2050	59.17	58	3.70	28	1762	50.86	58	4.30	11	4424	127.68	26	0.90	12	4007	115.63	28	1.00	14	3553	102.53	30	1.15	16	3212	92.70	32	1.25	18	2723	78.57	32	1.50	20	2525	72.88	31	1.60	22	2273	65.60	30	1.80	24	2059	59.41	30	1.95	27	1825	52.68	29	2.20	30	1650	47.63	28	2.50	36	1399	40.37	27	2.90	20	2501	72.17	21	1.15	22	2260	65.21	23	1.25	24	2076	59.92	23	1.35	27	1844	53.21	22	1.55	30	1649	47.58	22	1.70	34	1482	42.78	21	1.90	39	1287	37.13	21	2.20	43	1152	33.25	20	2.40	52	956	27.58	19	2.60	45	1111	32.05	20	2.20	53	942	27.19	19	2.60	58	867	25.03	19	3.10	64	775	22.37	18	3.30	71	698	20.14	17	3.50	79	632	18.24	17	3.70	89	560	16.17	16	4.00	30	1656	47.79	15	0.90	34	1453	41.92	16	1.00	39	1282	37.00	16	1.15	44	1137	32.80	16	1.30	51	970	28.00	15	1.45	52	969	27.96	15	1.50	61	815	23.51	15	1.80	67	748	21.60	14	1.90	75	665	19.18	14	2.00	84	594	17.15	14	2.20	93	534	15.42	13	2.40	108	464	13.38	13	2.60	120	415	11.98	12	2.80	145	344	9.94	12	3.20	157	317	9.15	12	3.60	175	285	8.23	11	3.80	202	247	7.14	11	4.10	77	651	18.80	8.8	1.15	81	617	17.82	8.9	1.20	92	541	15.60	8.7	1.30	102	487	14.05	8.5	1.40	117	427	12.33	8.3	1.50	132	377	10.88	8.0	1.65	149	334	9.64	7.8	1.80	168	298	8.59	7.7	2.00	186	268	7.74	7.5	2.20	212	235	6.79	7.2	2.30	240	208	5.99	7.0	2.50	271	184	5.31	6.7	2.60																																																																																																																																																																																																																																																																																																																																																																																																																																																
13	3941	113.72	56	1.90	20	2547	73.49	57	3.00	22	2259	65.20	58	3.30	24	2050	59.17	58	3.70	28	1762	50.86	58	4.30	11	4424	127.68	26	0.90	12	4007	115.63	28	1.00	14	3553	102.53	30	1.15	16	3212	92.70	32	1.25	18	2723	78.57	32	1.50	20	2525	72.88	31	1.60	22	2273	65.60	30	1.80	24	2059	59.41	30	1.95	27	1825	52.68	29	2.20	30	1650	47.63	28	2.50	36	1399	40.37	27	2.90	20	2501	72.17	21	1.15	22	2260	65.21	23	1.25	24	2076	59.92	23	1.35	27	1844	53.21	22	1.55	30	1649	47.58	22	1.70	34	1482	42.78	21	1.90	39	1287	37.13	21	2.20	43	1152	33.25	20	2.40	52	956	27.58	19	2.60	45	1111	32.05	20	2.20	53	942	27.19	19	2.60	58	867	25.03	19	3.10	64	775	22.37	18	3.30	71	698	20.14	17	3.50	79	632	18.24	17	3.70	89	560	16.17	16	4.00	30	1656	47.79	15	0.90	34	1453	41.92	16	1.00	39	1282	37.00	16	1.15	44	1137	32.80	16	1.30	51	970	28.00	15	1.45	52	969	27.96	15	1.50	61	815	23.51	15	1.80	67	748	21.60	14	1.90	75	665	19.18	14	2.00	84	594	17.15	14	2.20	93	534	15.42	13	2.40	108	464	13.38	13	2.60	120	415	11.98	12	2.80	145	344	9.94	12	3.20	157	317	9.15	12	3.60	175	285	8.23	11	3.80	202	247	7.14	11	4.10	77	651	18.80	8.8	1.15	81	617	17.82	8.9	1.20	92	541	15.60	8.7	1.30	102	487	14.05	8.5	1.40	117	427	12.33	8.3	1.50	132	377	10.88	8.0	1.65	149	334	9.64	7.8	1.80	168	298	8.59	7.7	2.00	186	268	7.74	7.5	2.20	212	235	6.79	7.2	2.30	240	208	5.99	7.0	2.50	271	184	5.31	6.7	2.60																																																																																																																																																																																																																																																																																																																																																																																																																																																					
20	2547	73.49	57	3.00	22	2259	65.20	58	3.30	24	2050	59.17	58	3.70	28	1762	50.86	58	4.30	11	4424	127.68	26	0.90	12	4007	115.63	28	1.00	14	3553	102.53	30	1.15	16	3212	92.70	32	1.25	18	2723	78.57	32	1.50	20	2525	72.88	31	1.60	22	2273	65.60	30	1.80	24	2059	59.41	30	1.95	27	1825	52.68	29	2.20	30	1650	47.63	28	2.50	36	1399	40.37	27	2.90	20	2501	72.17	21	1.15	22	2260	65.21	23	1.25	24	2076	59.92	23	1.35	27	1844	53.21	22	1.55	30	1649	47.58	22	1.70	34	1482	42.78	21	1.90	39	1287	37.13	21	2.20	43	1152	33.25	20	2.40	52	956	27.58	19	2.60	45	1111	32.05	20	2.20	53	942	27.19	19	2.60	58	867	25.03	19	3.10	64	775	22.37	18	3.30	71	698	20.14	17	3.50	79	632	18.24	17	3.70	89	560	16.17	16	4.00	30	1656	47.79	15	0.90	34	1453	41.92	16	1.00	39	1282	37.00	16	1.15	44	1137	32.80	16	1.30	51	970	28.00	15	1.45	52	969	27.96	15	1.50	61	815	23.51	15	1.80	67	748	21.60	14	1.90	75	665	19.18	14	2.00	84	594	17.15	14	2.20	93	534	15.42	13	2.40	108	464	13.38	13	2.60	120	415	11.98	12	2.80	145	344	9.94	12	3.20	157	317	9.15	12	3.60	175	285	8.23	11	3.80	202	247	7.14	11	4.10	77	651	18.80	8.8	1.15	81	617	17.82	8.9	1.20	92	541	15.60	8.7	1.30	102	487	14.05	8.5	1.40	117	427	12.33	8.3	1.50	132	377	10.88	8.0	1.65	149	334	9.64	7.8	1.80	168	298	8.59	7.7	2.00	186	268	7.74	7.5	2.20	212	235	6.79	7.2	2.30	240	208	5.99	7.0	2.50	271	184	5.31	6.7	2.60																																																																																																																																																																																																																																																																																																																																																																																																																																																										
22	2259	65.20	58	3.30	24	2050	59.17	58	3.70	28	1762	50.86	58	4.30	11	4424	127.68	26	0.90	12	4007	115.63	28	1.00	14	3553	102.53	30	1.15	16	3212	92.70	32	1.25	18	2723	78.57	32	1.50	20	2525	72.88	31	1.60	22	2273	65.60	30	1.80	24	2059	59.41	30	1.95	27	1825	52.68	29	2.20	30	1650	47.63	28	2.50	36	1399	40.37	27	2.90	20	2501	72.17	21	1.15	22	2260	65.21	23	1.25	24	2076	59.92	23	1.35	27	1844	53.21	22	1.55	30	1649	47.58	22	1.70	34	1482	42.78	21	1.90	39	1287	37.13	21	2.20	43	1152	33.25	20	2.40	52	956	27.58	19	2.60	45	1111	32.05	20	2.20	53	942	27.19	19	2.60	58	867	25.03	19	3.10	64	775	22.37	18	3.30	71	698	20.14	17	3.50	79	632	18.24	17	3.70	89	560	16.17	16	4.00	30	1656	47.79	15	0.90	34	1453	41.92	16	1.00	39	1282	37.00	16	1.15	44	1137	32.80	16	1.30	51	970	28.00	15	1.45	52	969	27.96	15	1.50	61	815	23.51	15	1.80	67	748	21.60	14	1.90	75	665	19.18	14	2.00	84	594	17.15	14	2.20	93	534	15.42	13	2.40	108	464	13.38	13	2.60	120	415	11.98	12	2.80	145	344	9.94	12	3.20	157	317	9.15	12	3.60	175	285	8.23	11	3.80	202	247	7.14	11	4.10	77	651	18.80	8.8	1.15	81	617	17.82	8.9	1.20	92	541	15.60	8.7	1.30	102	487	14.05	8.5	1.40	117	427	12.33	8.3	1.50	132	377	10.88	8.0	1.65	149	334	9.64	7.8	1.80	168	298	8.59	7.7	2.00	186	268	7.74	7.5	2.20	212	235	6.79	7.2	2.30	240	208	5.99	7.0	2.50	271	184	5.31	6.7	2.60																																																																																																																																																																																																																																																																																																																																																																																																																																																															
24	2050	59.17	58	3.70	28	1762	50.86	58	4.30	11	4424	127.68	26	0.90	12	4007	115.63	28	1.00	14	3553	102.53	30	1.15	16	3212	92.70	32	1.25	18	2723	78.57	32	1.50	20	2525	72.88	31	1.60	22	2273	65.60	30	1.80	24	2059	59.41	30	1.95	27	1825	52.68	29	2.20	30	1650	47.63	28	2.50	36	1399	40.37	27	2.90	20	2501	72.17	21	1.15	22	2260	65.21	23	1.25	24	2076	59.92	23	1.35	27	1844	53.21	22	1.55	30	1649	47.58	22	1.70	34	1482	42.78	21	1.90	39	1287	37.13	21	2.20	43	1152	33.25	20	2.40	52	956	27.58	19	2.60	45	1111	32.05	20	2.20	53	942	27.19	19	2.60	58	867	25.03	19	3.10	64	775	22.37	18	3.30	71	698	20.14	17	3.50	79	632	18.24	17	3.70	89	560	16.17	16	4.00	30	1656	47.79	15	0.90	34	1453	41.92	16	1.00	39	1282	37.00	16	1.15	44	1137	32.80	16	1.30	51	970	28.00	15	1.45	52	969	27.96	15	1.50	61	815	23.51	15	1.80	67	748	21.60	14	1.90	75	665	19.18	14	2.00	84	594	17.15	14	2.20	93	534	15.42	13	2.40	108	464	13.38	13	2.60	120	415	11.98	12	2.80	145	344	9.94	12	3.20	157	317	9.15	12	3.60	175	285	8.23	11	3.80	202	247	7.14	11	4.10	77	651	18.80	8.8	1.15	81	617	17.82	8.9	1.20	92	541	15.60	8.7	1.30	102	487	14.05	8.5	1.40	117	427	12.33	8.3	1.50	132	377	10.88	8.0	1.65	149	334	9.64	7.8	1.80	168	298	8.59	7.7	2.00	186	268	7.74	7.5	2.20	212	235	6.79	7.2	2.30	240	208	5.99	7.0	2.50	271	184	5.31	6.7	2.60																																																																																																																																																																																																																																																																																																																																																																																																																																																																				
28	1762	50.86	58	4.30	11	4424	127.68	26	0.90	12	4007	115.63	28	1.00	14	3553	102.53	30	1.15	16	3212	92.70	32	1.25	18	2723	78.57	32	1.50	20	2525	72.88	31	1.60	22	2273	65.60	30	1.80	24	2059	59.41	30	1.95	27	1825	52.68	29	2.20	30	1650	47.63	28	2.50	36	1399	40.37	27	2.90	20	2501	72.17	21	1.15	22	2260	65.21	23	1.25	24	2076	59.92	23	1.35	27	1844	53.21	22	1.55	30	1649	47.58	22	1.70	34	1482	42.78	21	1.90	39	1287	37.13	21	2.20	43	1152	33.25	20	2.40	52	956	27.58	19	2.60	45	1111	32.05	20	2.20	53	942	27.19	19	2.60	58	867	25.03	19	3.10	64	775	22.37	18	3.30	71	698	20.14	17	3.50	79	632	18.24	17	3.70	89	560	16.17	16	4.00	30	1656	47.79	15	0.90	34	1453	41.92	16	1.00	39	1282	37.00	16	1.15	44	1137	32.80	16	1.30	51	970	28.00	15	1.45	52	969	27.96	15	1.50	61	815	23.51	15	1.80	67	748	21.60	14	1.90	75	665	19.18	14	2.00	84	594	17.15	14	2.20	93	534	15.42	13	2.40	108	464	13.38	13	2.60	120	415	11.98	12	2.80	145	344	9.94	12	3.20	157	317	9.15	12	3.60	175	285	8.23	11	3.80	202	247	7.14	11	4.10	77	651	18.80	8.8	1.15	81	617	17.82	8.9	1.20	92	541	15.60	8.7	1.30	102	487	14.05	8.5	1.40	117	427	12.33	8.3	1.50	132	377	10.88	8.0	1.65	149	334	9.64	7.8	1.80	168	298	8.59	7.7	2.00	186	268	7.74	7.5	2.20	212	235	6.79	7.2	2.30	240	208	5.99	7.0	2.50	271	184	5.31	6.7	2.60																																																																																																																																																																																																																																																																																																																																																																																																																																																																									
11	4424	127.68	26	0.90	12	4007	115.63	28	1.00	14	3553	102.53	30	1.15	16	3212	92.70	32	1.25	18	2723	78.57	32	1.50	20	2525	72.88	31	1.60	22	2273	65.60	30	1.80	24	2059	59.41	30	1.95	27	1825	52.68	29	2.20	30	1650	47.63	28	2.50	36	1399	40.37	27	2.90	20	2501	72.17	21	1.15	22	2260	65.21	23	1.25	24	2076	59.92	23	1.35	27	1844	53.21	22	1.55	30	1649	47.58	22	1.70	34	1482	42.78	21	1.90	39	1287	37.13	21	2.20	43	1152	33.25	20	2.40	52	956	27.58	19	2.60	45	1111	32.05	20	2.20	53	942	27.19	19	2.60	58	867	25.03	19	3.10	64	775	22.37	18	3.30	71	698	20.14	17	3.50	79	632	18.24	17	3.70	89	560	16.17	16	4.00	30	1656	47.79	15	0.90	34	1453	41.92	16	1.00	39	1282	37.00	16	1.15	44	1137	32.80	16	1.30	51	970	28.00	15	1.45	52	969	27.96	15	1.50	61	815	23.51	15	1.80	67	748	21.60	14	1.90	75	665	19.18	14	2.00	84	594	17.15	14	2.20	93	534	15.42	13	2.40	108	464	13.38	13	2.60	120	415	11.98	12	2.80	145	344	9.94	12	3.20	157	317	9.15	12	3.60	175	285	8.23	11	3.80	202	247	7.14	11	4.10	77	651	18.80	8.8	1.15	81	617	17.82	8.9	1.20	92	541	15.60	8.7	1.30	102	487	14.05	8.5	1.40	117	427	12.33	8.3	1.50	132	377	10.88	8.0	1.65	149	334	9.64	7.8	1.80	168	298	8.59	7.7	2.00	186	268	7.74	7.5	2.20	212	235	6.79	7.2	2.30	240	208	5.99	7.0	2.50	271	184	5.31	6.7	2.60																																																																																																																																																																																																																																																																																																																																																																																																																																																																														
12	4007	115.63	28	1.00	14	3553	102.53	30	1.15	16	3212	92.70	32	1.25	18	2723	78.57	32	1.50	20	2525	72.88	31	1.60	22	2273	65.60	30	1.80	24	2059	59.41	30	1.95	27	1825	52.68	29	2.20	30	1650	47.63	28	2.50	36	1399	40.37	27	2.90	20	2501	72.17	21	1.15	22	2260	65.21	23	1.25	24	2076	59.92	23	1.35	27	1844	53.21	22	1.55	30	1649	47.58	22	1.70	34	1482	42.78	21	1.90	39	1287	37.13	21	2.20	43	1152	33.25	20	2.40	52	956	27.58	19	2.60	45	1111	32.05	20	2.20	53	942	27.19	19	2.60	58	867	25.03	19	3.10	64	775	22.37	18	3.30	71	698	20.14	17	3.50	79	632	18.24	17	3.70	89	560	16.17	16	4.00	30	1656	47.79	15	0.90	34	1453	41.92	16	1.00	39	1282	37.00	16	1.15	44	1137	32.80	16	1.30	51	970	28.00	15	1.45	52	969	27.96	15	1.50	61	815	23.51	15	1.80	67	748	21.60	14	1.90	75	665	19.18	14	2.00	84	594	17.15	14	2.20	93	534	15.42	13	2.40	108	464	13.38	13	2.60	120	415	11.98	12	2.80	145	344	9.94	12	3.20	157	317	9.15	12	3.60	175	285	8.23	11	3.80	202	247	7.14	11	4.10	77	651	18.80	8.8	1.15	81	617	17.82	8.9	1.20	92	541	15.60	8.7	1.30	102	487	14.05	8.5	1.40	117	427	12.33	8.3	1.50	132	377	10.88	8.0	1.65	149	334	9.64	7.8	1.80	168	298	8.59	7.7	2.00	186	268	7.74	7.5	2.20	212	235	6.79	7.2	2.30	240	208	5.99	7.0	2.50	271	184	5.31	6.7	2.60																																																																																																																																																																																																																																																																																																																																																																																																																																																																																			
14	3553	102.53	30	1.15	16	3212	92.70	32	1.25	18	2723	78.57	32	1.50	20	2525	72.88	31	1.60	22	2273	65.60	30	1.80	24	2059	59.41	30	1.95	27	1825	52.68	29	2.20	30	1650	47.63	28	2.50	36	1399	40.37	27	2.90	20	2501	72.17	21	1.15	22	2260	65.21	23	1.25	24	2076	59.92	23	1.35	27	1844	53.21	22	1.55	30	1649	47.58	22	1.70	34	1482	42.78	21	1.90	39	1287	37.13	21	2.20	43	1152	33.25	20	2.40	52	956	27.58	19	2.60	45	1111	32.05	20	2.20	53	942	27.19	19	2.60	58	867	25.03	19	3.10	64	775	22.37	18	3.30	71	698	20.14	17	3.50	79	632	18.24	17	3.70	89	560	16.17	16	4.00	30	1656	47.79	15	0.90	34	1453	41.92	16	1.00	39	1282	37.00	16	1.15	44	1137	32.80	16	1.30	51	970	28.00	15	1.45	52	969	27.96	15	1.50	61	815	23.51	15	1.80	67	748	21.60	14	1.90	75	665	19.18	14	2.00	84	594	17.15	14	2.20	93	534	15.42	13	2.40	108	464	13.38	13	2.60	120	415	11.98	12	2.80	145	344	9.94	12	3.20	157	317	9.15	12	3.60	175	285	8.23	11	3.80	202	247	7.14	11	4.10	77	651	18.80	8.8	1.15	81	617	17.82	8.9	1.20	92	541	15.60	8.7	1.30	102	487	14.05	8.5	1.40	117	427	12.33	8.3	1.50	132	377	10.88	8.0	1.65	149	334	9.64	7.8	1.80	168	298	8.59	7.7	2.00	186	268	7.74	7.5	2.20	212	235	6.79	7.2	2.30	240	208	5.99	7.0	2.50	271	184	5.31	6.7	2.60																																																																																																																																																																																																																																																																																																																																																																																																																																																																																								
16	3212	92.70	32	1.25	18	2723	78.57	32	1.50	20	2525	72.88	31	1.60	22	2273	65.60	30	1.80	24	2059	59.41	30	1.95	27	1825	52.68	29	2.20	30	1650	47.63	28	2.50	36	1399	40.37	27	2.90	20	2501	72.17	21	1.15	22	2260	65.21	23	1.25	24	2076	59.92	23	1.35	27	1844	53.21	22	1.55	30	1649	47.58	22	1.70	34	1482	42.78	21	1.90	39	1287	37.13	21	2.20	43	1152	33.25	20	2.40	52	956	27.58	19	2.60	45	1111	32.05	20	2.20	53	942	27.19	19	2.60	58	867	25.03	19	3.10	64	775	22.37	18	3.30	71	698	20.14	17	3.50	79	632	18.24	17	3.70	89	560	16.17	16	4.00	30	1656	47.79	15	0.90	34	1453	41.92	16	1.00	39	1282	37.00	16	1.15	44	1137	32.80	16	1.30	51	970	28.00	15	1.45	52	969	27.96	15	1.50	61	815	23.51	15	1.80	67	748	21.60	14	1.90	75	665	19.18	14	2.00	84	594	17.15	14	2.20	93	534	15.42	13	2.40	108	464	13.38	13	2.60	120	415	11.98	12	2.80	145	344	9.94	12	3.20	157	317	9.15	12	3.60	175	285	8.23	11	3.80	202	247	7.14	11	4.10	77	651	18.80	8.8	1.15	81	617	17.82	8.9	1.20	92	541	15.60	8.7	1.30	102	487	14.05	8.5	1.40	117	427	12.33	8.3	1.50	132	377	10.88	8.0	1.65	149	334	9.64	7.8	1.80	168	298	8.59	7.7	2.00	186	268	7.74	7.5	2.20	212	235	6.79	7.2	2.30	240	208	5.99	7.0	2.50	271	184	5.31	6.7	2.60																																																																																																																																																																																																																																																																																																																																																																																																																																																																																													
18	2723	78.57	32	1.50	20	2525	72.88	31	1.60	22	2273	65.60	30	1.80	24	2059	59.41	30	1.95	27	1825	52.68	29	2.20	30	1650	47.63	28	2.50	36	1399	40.37	27	2.90	20	2501	72.17	21	1.15	22	2260	65.21	23	1.25	24	2076	59.92	23	1.35	27	1844	53.21	22	1.55	30	1649	47.58	22	1.70	34	1482	42.78	21	1.90	39	1287	37.13	21	2.20	43	1152	33.25	20	2.40	52	956	27.58	19	2.60	45	1111	32.05	20	2.20	53	942	27.19	19	2.60	58	867	25.03	19	3.10	64	775	22.37	18	3.30	71	698	20.14	17	3.50	79	632	18.24	17	3.70	89	560	16.17	16	4.00	30	1656	47.79	15	0.90	34	1453	41.92	16	1.00	39	1282	37.00	16	1.15	44	1137	32.80	16	1.30	51	970	28.00	15	1.45	52	969	27.96	15	1.50	61	815	23.51	15	1.80	67	748	21.60	14	1.90	75	665	19.18	14	2.00	84	594	17.15	14	2.20	93	534	15.42	13	2.40	108	464	13.38	13	2.60	120	415	11.98	12	2.80	145	344	9.94	12	3.20	157	317	9.15	12	3.60	175	285	8.23	11	3.80	202	247	7.14	11	4.10	77	651	18.80	8.8	1.15	81	617	17.82	8.9	1.20	92	541	15.60	8.7	1.30	102	487	14.05	8.5	1.40	117	427	12.33	8.3	1.50	132	377	10.88	8.0	1.65	149	334	9.64	7.8	1.80	168	298	8.59	7.7	2.00	186	268	7.74	7.5	2.20	212	235	6.79	7.2	2.30	240	208	5.99	7.0	2.50	271	184	5.31	6.7	2.60																																																																																																																																																																																																																																																																																																																																																																																																																																																																																																		
20	2525	72.88	31	1.60	22	2273	65.60	30	1.80	24	2059	59.41	30	1.95	27	1825	52.68	29	2.20	30	1650	47.63	28	2.50	36	1399	40.37	27	2.90	20	2501	72.17	21	1.15	22	2260	65.21	23	1.25	24	2076	59.92	23	1.35	27	1844	53.21	22	1.55	30	1649	47.58	22	1.70	34	1482	42.78	21	1.90	39	1287	37.13	21	2.20	43	1152	33.25	20	2.40	52	956	27.58	19	2.60	45	1111	32.05	20	2.20	53	942	27.19	19	2.60	58	867	25.03	19	3.10	64	775	22.37	18	3.30	71	698	20.14	17	3.50	79	632	18.24	17	3.70	89	560	16.17	16	4.00	30	1656	47.79	15	0.90	34	1453	41.92	16	1.00	39	1282	37.00	16	1.15	44	1137	32.80	16	1.30	51	970	28.00	15	1.45	52	969	27.96	15	1.50	61	815	23.51	15	1.80	67	748	21.60	14	1.90	75	665	19.18	14	2.00	84	594	17.15	14	2.20	93	534	15.42	13	2.40	108	464	13.38	13	2.60	120	415	11.98	12	2.80	145	344	9.94	12	3.20	157	317	9.15	12	3.60	175	285	8.23	11	3.80	202	247	7.14	11	4.10	77	651	18.80	8.8	1.15	81	617	17.82	8.9	1.20	92	541	15.60	8.7	1.30	102	487	14.05	8.5	1.40	117	427	12.33	8.3	1.50	132	377	10.88	8.0	1.65	149	334	9.64	7.8	1.80	168	298	8.59	7.7	2.00	186	268	7.74	7.5	2.20	212	235	6.79	7.2	2.30	240	208	5.99	7.0	2.50	271	184	5.31	6.7	2.60																																																																																																																																																																																																																																																																																																																																																																																																																																																																																																							
22	2273	65.60	30	1.80	24	2059	59.41	30	1.95	27	1825	52.68	29	2.20	30	1650	47.63	28	2.50	36	1399	40.37	27	2.90	20	2501	72.17	21	1.15	22	2260	65.21	23	1.25	24	2076	59.92	23	1.35	27	1844	53.21	22	1.55	30	1649	47.58	22	1.70	34	1482	42.78	21	1.90	39	1287	37.13	21	2.20	43	1152	33.25	20	2.40	52	956	27.58	19	2.60	45	1111	32.05	20	2.20	53	942	27.19	19	2.60	58	867	25.03	19	3.10	64	775	22.37	18	3.30	71	698	20.14	17	3.50	79	632	18.24	17	3.70	89	560	16.17	16	4.00	30	1656	47.79	15	0.90	34	1453	41.92	16	1.00	39	1282	37.00	16	1.15	44	1137	32.80	16	1.30	51	970	28.00	15	1.45	52	969	27.96	15	1.50	61	815	23.51	15	1.80	67	748	21.60	14	1.90	75	665	19.18	14	2.00	84	594	17.15	14	2.20	93	534	15.42	13	2.40	108	464	13.38	13	2.60	120	415	11.98	12	2.80	145	344	9.94	12	3.20	157	317	9.15	12	3.60	175	285	8.23	11	3.80	202	247	7.14	11	4.10	77	651	18.80	8.8	1.15	81	617	17.82	8.9	1.20	92	541	15.60	8.7	1.30	102	487	14.05	8.5	1.40	117	427	12.33	8.3	1.50	132	377	10.88	8.0	1.65	149	334	9.64	7.8	1.80	168	298	8.59	7.7	2.00	186	268	7.74	7.5	2.20	212	235	6.79	7.2	2.30	240	208	5.99	7.0	2.50	271	184	5.31	6.7	2.60																																																																																																																																																																																																																																																																																																																																																																																																																																																																																																												
24	2059	59.41	30	1.95	27	1825	52.68	29	2.20	30	1650	47.63	28	2.50	36	1399	40.37	27	2.90	20	2501	72.17	21	1.15	22	2260	65.21	23	1.25	24	2076	59.92	23	1.35	27	1844	53.21	22	1.55	30	1649	47.58	22	1.70	34	1482	42.78	21	1.90	39	1287	37.13	21	2.20	43	1152	33.25	20	2.40	52	956	27.58	19	2.60	45	1111	32.05	20	2.20	53	942	27.19	19	2.60	58	867	25.03	19	3.10	64	775	22.37	18	3.30	71	698	20.14	17	3.50	79	632	18.24	17	3.70	89	560	16.17	16	4.00	30	1656	47.79	15	0.90	34	1453	41.92	16	1.00	39	1282	37.00	16	1.15	44	1137	32.80	16	1.30	51	970	28.00	15	1.45	52	969	27.96	15	1.50	61	815	23.51	15	1.80	67	748	21.60	14	1.90	75	665	19.18	14	2.00	84	594	17.15	14	2.20	93	534	15.42	13	2.40	108	464	13.38	13	2.60	120	415	11.98	12	2.80	145	344	9.94	12	3.20	157	317	9.15	12	3.60	175	285	8.23	11	3.80	202	247	7.14	11	4.10	77	651	18.80	8.8	1.15	81	617	17.82	8.9	1.20	92	541	15.60	8.7	1.30	102	487	14.05	8.5	1.40	117	427	12.33	8.3	1.50	132	377	10.88	8.0	1.65	149	334	9.64	7.8	1.80	168	298	8.59	7.7	2.00	186	268	7.74	7.5	2.20	212	235	6.79	7.2	2.30	240	208	5.99	7.0	2.50	271	184	5.31	6.7	2.60																																																																																																																																																																																																																																																																																																																																																																																																																																																																																																																	
27	1825	52.68	29	2.20	30	1650	47.63	28	2.50	36	1399	40.37	27	2.90	20	2501	72.17	21	1.15	22	2260	65.21	23	1.25	24	2076	59.92	23	1.35	27	1844	53.21	22	1.55	30	1649	47.58	22	1.70	34	1482	42.78	21	1.90	39	1287	37.13	21	2.20	43	1152	33.25	20	2.40	52	956	27.58	19	2.60	45	1111	32.05	20	2.20	53	942	27.19	19	2.60	58	867	25.03	19	3.10	64	775	22.37	18	3.30	71	698	20.14	17	3.50	79	632	18.24	17	3.70	89	560	16.17	16	4.00	30	1656	47.79	15	0.90	34	1453	41.92	16	1.00	39	1282	37.00	16	1.15	44	1137	32.80	16	1.30	51	970	28.00	15	1.45	52	969	27.96	15	1.50	61	815	23.51	15	1.80	67	748	21.60	14	1.90	75	665	19.18	14	2.00	84	594	17.15	14	2.20	93	534	15.42	13	2.40	108	464	13.38	13	2.60	120	415	11.98	12	2.80	145	344	9.94	12	3.20	157	317	9.15	12	3.60	175	285	8.23	11	3.80	202	247	7.14	11	4.10	77	651	18.80	8.8	1.15	81	617	17.82	8.9	1.20	92	541	15.60	8.7	1.30	102	487	14.05	8.5	1.40	117	427	12.33	8.3	1.50	132	377	10.88	8.0	1.65	149	334	9.64	7.8	1.80	168	298	8.59	7.7	2.00	186	268	7.74	7.5	2.20	212	235	6.79	7.2	2.30	240	208	5.99	7.0	2.50	271	184	5.31	6.7	2.60																																																																																																																																																																																																																																																																																																																																																																																																																																																																																																																						
30	1650	47.63	28	2.50	36	1399	40.37	27	2.90	20	2501	72.17	21	1.15	22	2260	65.21	23	1.25	24	2076	59.92	23	1.35	27	1844	53.21	22	1.55	30	1649	47.58	22	1.70	34	1482	42.78	21	1.90	39	1287	37.13	21	2.20	43	1152	33.25	20	2.40	52	956	27.58	19	2.60	45	1111	32.05	20	2.20	53	942	27.19	19	2.60	58	867	25.03	19	3.10	64	775	22.37	18	3.30	71	698	20.14	17	3.50	79	632	18.24	17	3.70	89	560	16.17	16	4.00	30	1656	47.79	15	0.90	34	1453	41.92	16	1.00	39	1282	37.00	16	1.15	44	1137	32.80	16	1.30	51	970	28.00	15	1.45	52	969	27.96	15	1.50	61	815	23.51	15	1.80	67	748	21.60	14	1.90	75	665	19.18	14	2.00	84	594	17.15	14	2.20	93	534	15.42	13	2.40	108	464	13.38	13	2.60	120	415	11.98	12	2.80	145	344	9.94	12	3.20	157	317	9.15	12	3.60	175	285	8.23	11	3.80	202	247	7.14	11	4.10	77	651	18.80	8.8	1.15	81	617	17.82	8.9	1.20	92	541	15.60	8.7	1.30	102	487	14.05	8.5	1.40	117	427	12.33	8.3	1.50	132	377	10.88	8.0	1.65	149	334	9.64	7.8	1.80	168	298	8.59	7.7	2.00	186	268	7.74	7.5	2.20	212	235	6.79	7.2	2.30	240	208	5.99	7.0	2.50	271	184	5.31	6.7	2.60																																																																																																																																																																																																																																																																																																																																																																																																																																																																																																																											
36	1399	40.37	27	2.90	20	2501	72.17	21	1.15	22	2260	65.21	23	1.25	24	2076	59.92	23	1.35	27	1844	53.21	22	1.55	30	1649	47.58	22	1.70	34	1482	42.78	21	1.90	39	1287	37.13	21	2.20	43	1152	33.25	20	2.40	52	956	27.58	19	2.60	45	1111	32.05	20	2.20	53	942	27.19	19	2.60	58	867	25.03	19	3.10	64	775	22.37	18	3.30	71	698	20.14	17	3.50	79	632	18.24	17	3.70	89	560	16.17	16	4.00	30	1656	47.79	15	0.90	34	1453	41.92	16	1.00	39	1282	37.00	16	1.15	44	1137	32.80	16	1.30	51	970	28.00	15	1.45	52	969	27.96	15	1.50	61	815	23.51	15	1.80	67	748	21.60	14	1.90	75	665	19.18	14	2.00	84	594	17.15	14	2.20	93	534	15.42	13	2.40	108	464	13.38	13	2.60	120	415	11.98	12	2.80	145	344	9.94	12	3.20	157	317	9.15	12	3.60	175	285	8.23	11	3.80	202	247	7.14	11	4.10	77	651	18.80	8.8	1.15	81	617	17.82	8.9	1.20	92	541	15.60	8.7	1.30	102	487	14.05	8.5	1.40	117	427	12.33	8.3	1.50	132	377	10.88	8.0	1.65	149	334	9.64	7.8	1.80	168	298	8.59	7.7	2.00	186	268	7.74	7.5	2.20	212	235	6.79	7.2	2.30	240	208	5.99	7.0	2.50	271	184	5.31	6.7	2.60																																																																																																																																																																																																																																																																																																																																																																																																																																																																																																																																
20	2501	72.17	21	1.15	22	2260	65.21	23	1.25	24	2076	59.92	23	1.35	27	1844	53.21	22	1.55	30	1649	47.58	22	1.70	34	1482	42.78	21	1.90	39	1287	37.13	21	2.20	43	1152	33.25	20	2.40	52	956	27.58	19	2.60	45	1111	32.05	20	2.20	53	942	27.19	19	2.60	58	867	25.03	19	3.10	64	775	22.37	18	3.30	71	698	20.14	17	3.50	79	632	18.24	17	3.70	89	560	16.17	16	4.00	30	1656	47.79	15	0.90	34	1453	41.92	16	1.00	39	1282	37.00	16	1.15	44	1137	32.80	16	1.30	51	970	28.00	15	1.45	52	969	27.96	15	1.50	61	815	23.51	15	1.80	67	748	21.60	14	1.90	75	665	19.18	14	2.00	84	594	17.15	14	2.20	93	534	15.42	13	2.40	108	464	13.38	13	2.60	120	415	11.98	12	2.80	145	344	9.94	12	3.20	157	317	9.15	12	3.60	175	285	8.23	11	3.80	202	247	7.14	11	4.10	77	651	18.80	8.8	1.15	81	617	17.82	8.9	1.20	92	541	15.60	8.7	1.30	102	487	14.05	8.5	1.40	117	427	12.33	8.3	1.50	132	377	10.88	8.0	1.65	149	334	9.64	7.8	1.80	168	298	8.59	7.7	2.00	186	268	7.74	7.5	2.20	212	235	6.79	7.2	2.30	240	208	5.99	7.0	2.50	271	184	5.31	6.7	2.60																																																																																																																																																																																																																																																																																																																																																																																																																																																																																																																																					
22	2260	65.21	23	1.25	24	2076	59.92	23	1.35	27	1844	53.21	22	1.55	30	1649	47.58	22	1.70	34	1482	42.78	21	1.90	39	1287	37.13	21	2.20	43	1152	33.25	20	2.40	52	956	27.58	19	2.60	45	1111	32.05	20	2.20	53	942	27.19	19	2.60	58	867	25.03	19	3.10	64	775	22.37	18	3.30	71	698	20.14	17	3.50	79	632	18.24	17	3.70	89	560	16.17	16	4.00	30	1656	47.79	15	0.90	34	1453	41.92	16	1.00	39	1282	37.00	16	1.15	44	1137	32.80	16	1.30	51	970	28.00	15	1.45	52	969	27.96	15	1.50	61	815	23.51	15	1.80	67	748	21.60	14	1.90	75	665	19.18	14	2.00	84	594	17.15	14	2.20	93	534	15.42	13	2.40	108	464	13.38	13	2.60	120	415	11.98	12	2.80	145	344	9.94	12	3.20	157	317	9.15	12	3.60	175	285	8.23	11	3.80	202	247	7.14	11	4.10	77	651	18.80	8.8	1.15	81	617	17.82	8.9	1.20	92	541	15.60	8.7	1.30	102	487	14.05	8.5	1.40	117	427	12.33	8.3	1.50	132	377	10.88	8.0	1.65	149	334	9.64	7.8	1.80	168	298	8.59	7.7	2.00	186	268	7.74	7.5	2.20	212	235	6.79	7.2	2.30	240	208	5.99	7.0	2.50	271	184	5.31	6.7	2.60																																																																																																																																																																																																																																																																																																																																																																																																																																																																																																																																										
24	2076	59.92	23	1.35	27	1844	53.21	22	1.55	30	1649	47.58	22	1.70	34	1482	42.78	21	1.90	39	1287	37.13	21	2.20	43	1152	33.25	20	2.40	52	956	27.58	19	2.60	45	1111	32.05	20	2.20	53	942	27.19	19	2.60	58	867	25.03	19	3.10	64	775	22.37	18	3.30	71	698	20.14	17	3.50	79	632	18.24	17	3.70	89	560	16.17	16	4.00	30	1656	47.79	15	0.90	34	1453	41.92	16	1.00	39	1282	37.00	16	1.15	44	1137	32.80	16	1.30	51	970	28.00	15	1.45	52	969	27.96	15	1.50	61	815	23.51	15	1.80	67	748	21.60	14	1.90	75	665	19.18	14	2.00	84	594	17.15	14	2.20	93	534	15.42	13	2.40	108	464	13.38	13	2.60	120	415	11.98	12	2.80	145	344	9.94	12	3.20	157	317	9.15	12	3.60	175	285	8.23	11	3.80	202	247	7.14	11	4.10	77	651	18.80	8.8	1.15	81	617	17.82	8.9	1.20	92	541	15.60	8.7	1.30	102	487	14.05	8.5	1.40	117	427	12.33	8.3	1.50	132	377	10.88	8.0	1.65	149	334	9.64	7.8	1.80	168	298	8.59	7.7	2.00	186	268	7.74	7.5	2.20	212	235	6.79	7.2	2.30	240	208	5.99	7.0	2.50	271	184	5.31	6.7	2.60																																																																																																																																																																																																																																																																																																																																																																																																																																																																																																																																															
27	1844	53.21	22	1.55	30	1649	47.58	22	1.70	34	1482	42.78	21	1.90	39	1287	37.13	21	2.20	43	1152	33.25	20	2.40	52	956	27.58	19	2.60	45	1111	32.05	20	2.20	53	942	27.19	19	2.60	58	867	25.03	19	3.10	64	775	22.37	18	3.30	71	698	20.14	17	3.50	79	632	18.24	17	3.70	89	560	16.17	16	4.00	30	1656	47.79	15	0.90	34	1453	41.92	16	1.00	39	1282	37.00	16	1.15	44	1137	32.80	16	1.30	51	970	28.00	15	1.45	52	969	27.96	15	1.50	61	815	23.51	15	1.80	67	748	21.60	14	1.90	75	665	19.18	14	2.00	84	594	17.15	14	2.20	93	534	15.42	13	2.40	108	464	13.38	13	2.60	120	415	11.98	12	2.80	145	344	9.94	12	3.20	157	317	9.15	12	3.60	175	285	8.23	11	3.80	202	247	7.14	11	4.10	77	651	18.80	8.8	1.15	81	617	17.82	8.9	1.20	92	541	15.60	8.7	1.30	102	487	14.05	8.5	1.40	117	427	12.33	8.3	1.50	132	377	10.88	8.0	1.65	149	334	9.64	7.8	1.80	168	298	8.59	7.7	2.00	186	268	7.74	7.5	2.20	212	235	6.79	7.2	2.30	240	208	5.99	7.0	2.50	271	184	5.31	6.7	2.60																																																																																																																																																																																																																																																																																																																																																																																																																																																																																																																																																				
30	1649	47.58	22	1.70	34	1482	42.78	21	1.90	39	1287	37.13	21	2.20	43	1152	33.25	20	2.40	52	956	27.58	19	2.60	45	1111	32.05	20	2.20	53	942	27.19	19	2.60	58	867	25.03	19	3.10	64	775	22.37	18	3.30	71	698	20.14	17	3.50	79	632	18.24	17	3.70	89	560	16.17	16	4.00	30	1656	47.79	15	0.90	34	1453	41.92	16	1.00	39	1282	37.00	16	1.15	44	1137	32.80	16	1.30	51	970	28.00	15	1.45	52	969	27.96	15	1.50	61	815	23.51	15	1.80	67	748	21.60	14	1.90	75	665	19.18	14	2.00	84	594	17.15	14	2.20	93	534	15.42	13	2.40	108	464	13.38	13	2.60	120	415	11.98	12	2.80	145	344	9.94	12	3.20	157	317	9.15	12	3.60	175	285	8.23	11	3.80	202	247	7.14	11	4.10	77	651	18.80	8.8	1.15	81	617	17.82	8.9	1.20	92	541	15.60	8.7	1.30	102	487	14.05	8.5	1.40	117	427	12.33	8.3	1.50	132	377	10.88	8.0	1.65	149	334	9.64	7.8	1.80	168	298	8.59	7.7	2.00	186	268	7.74	7.5	2.20	212	235	6.79	7.2	2.30	240	208	5.99	7.0	2.50	271	184	5.31	6.7	2.60																																																																																																																																																																																																																																																																																																																																																																																																																																																																																																																																																									
34	1482	42.78	21	1.90	39	1287	37.13	21	2.20	43	1152	33.25	20	2.40	52	956	27.58	19	2.60	45	1111	32.05	20	2.20	53	942	27.19	19	2.60	58	867	25.03	19	3.10	64	775	22.37	18	3.30	71	698	20.14	17	3.50	79	632	18.24	17	3.70	89	560	16.17	16	4.00	30	1656	47.79	15	0.90	34	1453	41.92	16	1.00	39	1282	37.00	16	1.15	44	1137	32.80	16	1.30	51	970	28.00	15	1.45	52	969	27.96	15	1.50	61	815	23.51	15	1.80	67	748	21.60	14	1.90	75	665	19.18	14	2.00	84	594	17.15	14	2.20	93	534	15.42	13	2.40	108	464	13.38	13	2.60	120	415	11.98	12	2.80	145	344	9.94	12	3.20	157	317	9.15	12	3.60	175	285	8.23	11	3.80	202	247	7.14	11	4.10	77	651	18.80	8.8	1.15	81	617	17.82	8.9	1.20	92	541	15.60	8.7	1.30	102	487	14.05	8.5	1.40	117	427	12.33	8.3	1.50	132	377	10.88	8.0	1.65	149	334	9.64	7.8	1.80	168	298	8.59	7.7	2.00	186	268	7.74	7.5	2.20	212	235	6.79	7.2	2.30	240	208	5.99	7.0	2.50	271	184	5.31	6.7	2.60																																																																																																																																																																																																																																																																																																																																																																																																																																																																																																																																																														
39	1287	37.13	21	2.20	43	1152	33.25	20	2.40	52	956	27.58	19	2.60	45	1111	32.05	20	2.20	53	942	27.19	19	2.60	58	867	25.03	19	3.10	64	775	22.37	18	3.30	71	698	20.14	17	3.50	79	632	18.24	17	3.70	89	560	16.17	16	4.00	30	1656	47.79	15	0.90	34	1453	41.92	16	1.00	39	1282	37.00	16	1.15	44	1137	32.80	16	1.30	51	970	28.00	15	1.45	52	969	27.96	15	1.50	61	815	23.51	15	1.80	67	748	21.60	14	1.90	75	665	19.18	14	2.00	84	594	17.15	14	2.20	93	534	15.42	13	2.40	108	464	13.38	13	2.60	120	415	11.98	12	2.80	145	344	9.94	12	3.20	157	317	9.15	12	3.60	175	285	8.23	11	3.80	202	247	7.14	11	4.10	77	651	18.80	8.8	1.15	81	617	17.82	8.9	1.20	92	541	15.60	8.7	1.30	102	487	14.05	8.5	1.40	117	427	12.33	8.3	1.50	132	377	10.88	8.0	1.65	149	334	9.64	7.8	1.80	168	298	8.59	7.7	2.00	186	268	7.74	7.5	2.20	212	235	6.79	7.2	2.30	240	208	5.99	7.0	2.50	271	184	5.31	6.7	2.60																																																																																																																																																																																																																																																																																																																																																																																																																																																																																																																																																																			
43	1152	33.25	20	2.40	52	956	27.58	19	2.60	45	1111	32.05	20	2.20	53	942	27.19	19	2.60	58	867	25.03	19	3.10	64	775	22.37	18	3.30	71	698	20.14	17	3.50	79	632	18.24	17	3.70	89	560	16.17	16	4.00	30	1656	47.79	15	0.90	34	1453	41.92	16	1.00	39	1282	37.00	16	1.15	44	1137	32.80	16	1.30	51	970	28.00	15	1.45	52	969	27.96	15	1.50	61	815	23.51	15	1.80	67	748	21.60	14	1.90	75	665	19.18	14	2.00	84	594	17.15	14	2.20	93	534	15.42	13	2.40	108	464	13.38	13	2.60	120	415	11.98	12	2.80	145	344	9.94	12	3.20	157	317	9.15	12	3.60	175	285	8.23	11	3.80	202	247	7.14	11	4.10	77	651	18.80	8.8	1.15	81	617	17.82	8.9	1.20	92	541	15.60	8.7	1.30	102	487	14.05	8.5	1.40	117	427	12.33	8.3	1.50	132	377	10.88	8.0	1.65	149	334	9.64	7.8	1.80	168	298	8.59	7.7	2.00	186	268	7.74	7.5	2.20	212	235	6.79	7.2	2.30	240	208	5.99	7.0	2.50	271	184	5.31	6.7	2.60																																																																																																																																																																																																																																																																																																																																																																																																																																																																																																																																																																								
52	956	27.58	19	2.60	45	1111	32.05	20	2.20	53	942	27.19	19	2.60	58	867	25.03	19	3.10	64	775	22.37	18	3.30	71	698	20.14	17	3.50	79	632	18.24	17	3.70	89	560	16.17	16	4.00	30	1656	47.79	15	0.90	34	1453	41.92	16	1.00	39	1282	37.00	16	1.15	44	1137	32.80	16	1.30	51	970	28.00	15	1.45	52	969	27.96	15	1.50	61	815	23.51	15	1.80	67	748	21.60	14	1.90	75	665	19.18	14	2.00	84	594	17.15	14	2.20	93	534	15.42	13	2.40	108	464	13.38	13	2.60	120	415	11.98	12	2.80	145	344	9.94	12	3.20	157	317	9.15	12	3.60	175	285	8.23	11	3.80	202	247	7.14	11	4.10	77	651	18.80	8.8	1.15	81	617	17.82	8.9	1.20	92	541	15.60	8.7	1.30	102	487	14.05	8.5	1.40	117	427	12.33	8.3	1.50	132	377	10.88	8.0	1.65	149	334	9.64	7.8	1.80	168	298	8.59	7.7	2.00	186	268	7.74	7.5	2.20	212	235	6.79	7.2	2.30	240	208	5.99	7.0	2.50	271	184	5.31	6.7	2.60																																																																																																																																																																																																																																																																																																																																																																																																																																																																																																																																																																													
45	1111	32.05	20	2.20	53	942	27.19	19	2.60	58	867	25.03	19	3.10	64	775	22.37	18	3.30	71	698	20.14	17	3.50	79	632	18.24	17	3.70	89	560	16.17	16	4.00	30	1656	47.79	15	0.90	34	1453	41.92	16	1.00	39	1282	37.00	16	1.15	44	1137	32.80	16	1.30	51	970	28.00	15	1.45	52	969	27.96	15	1.50	61	815	23.51	15	1.80	67	748	21.60	14	1.90	75	665	19.18	14	2.00	84	594	17.15	14	2.20	93	534	15.42	13	2.40	108	464	13.38	13	2.60	120	415	11.98	12	2.80	145	344	9.94	12	3.20	157	317	9.15	12	3.60	175	285	8.23	11	3.80	202	247	7.14	11	4.10	77	651	18.80	8.8	1.15	81	617	17.82	8.9	1.20	92	541	15.60	8.7	1.30	102	487	14.05	8.5	1.40	117	427	12.33	8.3	1.50	132	377	10.88	8.0	1.65	149	334	9.64	7.8	1.80	168	298	8.59	7.7	2.00	186	268	7.74	7.5	2.20	212	235	6.79	7.2	2.30	240	208	5.99	7.0	2.50	271	184	5.31	6.7	2.60																																																																																																																																																																																																																																																																																																																																																																																																																																																																																																																																																																																		
53	942	27.19	19	2.60	58	867	25.03	19	3.10	64	775	22.37	18	3.30	71	698	20.14	17	3.50	79	632	18.24	17	3.70	89	560	16.17	16	4.00	30	1656	47.79	15	0.90	34	1453	41.92	16	1.00	39	1282	37.00	16	1.15	44	1137	32.80	16	1.30	51	970	28.00	15	1.45	52	969	27.96	15	1.50	61	815	23.51	15	1.80	67	748	21.60	14	1.90	75	665	19.18	14	2.00	84	594	17.15	14	2.20	93	534	15.42	13	2.40	108	464	13.38	13	2.60	120	415	11.98	12	2.80	145	344	9.94	12	3.20	157	317	9.15	12	3.60	175	285	8.23	11	3.80	202	247	7.14	11	4.10	77	651	18.80	8.8	1.15	81	617	17.82	8.9	1.20	92	541	15.60	8.7	1.30	102	487	14.05	8.5	1.40	117	427	12.33	8.3	1.50	132	377	10.88	8.0	1.65	149	334	9.64	7.8	1.80	168	298	8.59	7.7	2.00	186	268	7.74	7.5	2.20	212	235	6.79	7.2	2.30	240	208	5.99	7.0	2.50	271	184	5.31	6.7	2.60																																																																																																																																																																																																																																																																																																																																																																																																																																																																																																																																																																																							
58	867	25.03	19	3.10	64	775	22.37	18	3.30	71	698	20.14	17	3.50	79	632	18.24	17	3.70	89	560	16.17	16	4.00	30	1656	47.79	15	0.90	34	1453	41.92	16	1.00	39	1282	37.00	16	1.15	44	1137	32.80	16	1.30	51	970	28.00	15	1.45	52	969	27.96	15	1.50	61	815	23.51	15	1.80	67	748	21.60	14	1.90	75	665	19.18	14	2.00	84	594	17.15	14	2.20	93	534	15.42	13	2.40	108	464	13.38	13	2.60	120	415	11.98	12	2.80	145	344	9.94	12	3.20	157	317	9.15	12	3.60	175	285	8.23	11	3.80	202	247	7.14	11	4.10	77	651	18.80	8.8	1.15	81	617	17.82	8.9	1.20	92	541	15.60	8.7	1.30	102	487	14.05	8.5	1.40	117	427	12.33	8.3	1.50	132	377	10.88	8.0	1.65	149	334	9.64	7.8	1.80	168	298	8.59	7.7	2.00	186	268	7.74	7.5	2.20	212	235	6.79	7.2	2.30	240	208	5.99	7.0	2.50	271	184	5.31	6.7	2.60																																																																																																																																																																																																																																																																																																																																																																																																																																																																																																																																																																																												
64	775	22.37	18	3.30	71	698	20.14	17	3.50	79	632	18.24	17	3.70	89	560	16.17	16	4.00	30	1656	47.79	15	0.90	34	1453	41.92	16	1.00	39	1282	37.00	16	1.15	44	1137	32.80	16	1.30	51	970	28.00	15	1.45	52	969	27.96	15	1.50	61	815	23.51	15	1.80	67	748	21.60	14	1.90	75	665	19.18	14	2.00	84	594	17.15	14	2.20	93	534	15.42	13	2.40	108	464	13.38	13	2.60	120	415	11.98	12	2.80	145	344	9.94	12	3.20	157	317	9.15	12	3.60	175	285	8.23	11	3.80	202	247	7.14	11	4.10	77	651	18.80	8.8	1.15	81	617	17.82	8.9	1.20	92	541	15.60	8.7	1.30	102	487	14.05	8.5	1.40	117	427	12.33	8.3	1.50	132	377	10.88	8.0	1.65	149	334	9.64	7.8	1.80	168	298	8.59	7.7	2.00	186	268	7.74	7.5	2.20	212	235	6.79	7.2	2.30	240	208	5.99	7.0	2.50	271	184	5.31	6.7	2.60																																																																																																																																																																																																																																																																																																																																																																																																																																																																																																																																																																																																	
71	698	20.14	17	3.50	79	632	18.24	17	3.70	89	560	16.17	16	4.00	30	1656	47.79	15	0.90	34	1453	41.92	16	1.00	39	1282	37.00	16	1.15	44	1137	32.80	16	1.30	51	970	28.00	15	1.45	52	969	27.96	15	1.50	61	815	23.51	15	1.80	67	748	21.60	14	1.90	75	665	19.18	14	2.00	84	594	17.15	14	2.20	93	534	15.42	13	2.40	108	464	13.38	13	2.60	120	415	11.98	12	2.80	145	344	9.94	12	3.20	157	317	9.15	12	3.60	175	285	8.23	11	3.80	202	247	7.14	11	4.10	77	651	18.80	8.8	1.15	81	617	17.82	8.9	1.20	92	541	15.60	8.7	1.30	102	487	14.05	8.5	1.40	117	427	12.33	8.3	1.50	132	377	10.88	8.0	1.65	149	334	9.64	7.8	1.80	168	298	8.59	7.7	2.00	186	268	7.74	7.5	2.20	212	235	6.79	7.2	2.30	240	208	5.99	7.0	2.50	271	184	5.31	6.7	2.60																																																																																																																																																																																																																																																																																																																																																																																																																																																																																																																																																																																																						
79	632	18.24	17	3.70	89	560	16.17	16	4.00	30	1656	47.79	15	0.90	34	1453	41.92	16	1.00	39	1282	37.00	16	1.15	44	1137	32.80	16	1.30	51	970	28.00	15	1.45	52	969	27.96	15	1.50	61	815	23.51	15	1.80	67	748	21.60	14	1.90	75	665	19.18	14	2.00	84	594	17.15	14	2.20	93	534	15.42	13	2.40	108	464	13.38	13	2.60	120	415	11.98	12	2.80	145	344	9.94	12	3.20	157	317	9.15	12	3.60	175	285	8.23	11	3.80	202	247	7.14	11	4.10	77	651	18.80	8.8	1.15	81	617	17.82	8.9	1.20	92	541	15.60	8.7	1.30	102	487	14.05	8.5	1.40	117	427	12.33	8.3	1.50	132	377	10.88	8.0	1.65	149	334	9.64	7.8	1.80	168	298	8.59	7.7	2.00	186	268	7.74	7.5	2.20	212	235	6.79	7.2	2.30	240	208	5.99	7.0	2.50	271	184	5.31	6.7	2.60																																																																																																																																																																																																																																																																																																																																																																																																																																																																																																																																																																																																											
89	560	16.17	16	4.00	30	1656	47.79	15	0.90	34	1453	41.92	16	1.00	39	1282	37.00	16	1.15	44	1137	32.80	16	1.30	51	970	28.00	15	1.45	52	969	27.96	15	1.50	61	815	23.51	15	1.80	67	748	21.60	14	1.90	75	665	19.18	14	2.00	84	594	17.15	14	2.20	93	534	15.42	13	2.40	108	464	13.38	13	2.60	120	415	11.98	12	2.80	145	344	9.94	12	3.20	157	317	9.15	12	3.60	175	285	8.23	11	3.80	202	247	7.14	11	4.10	77	651	18.80	8.8	1.15	81	617	17.82	8.9	1.20	92	541	15.60	8.7	1.30	102	487	14.05	8.5	1.40	117	427	12.33	8.3	1.50	132	377	10.88	8.0	1.65	149	334	9.64	7.8	1.80	168	298	8.59	7.7	2.00	186	268	7.74	7.5	2.20	212	235	6.79	7.2	2.30	240	208	5.99	7.0	2.50	271	184	5.31	6.7	2.60																																																																																																																																																																																																																																																																																																																																																																																																																																																																																																																																																																																																																
30	1656	47.79	15	0.90	34	1453	41.92	16	1.00	39	1282	37.00	16	1.15	44	1137	32.80	16	1.30	51	970	28.00	15	1.45	52	969	27.96	15	1.50	61	815	23.51	15	1.80	67	748	21.60	14	1.90	75	665	19.18	14	2.00	84	594	17.15	14	2.20	93	534	15.42	13	2.40	108	464	13.38	13	2.60	120	415	11.98	12	2.80	145	344	9.94	12	3.20	157	317	9.15	12	3.60	175	285	8.23	11	3.80	202	247	7.14	11	4.10	77	651	18.80	8.8	1.15	81	617	17.82	8.9	1.20	92	541	15.60	8.7	1.30	102	487	14.05	8.5	1.40	117	427	12.33	8.3	1.50	132	377	10.88	8.0	1.65	149	334	9.64	7.8	1.80	168	298	8.59	7.7	2.00	186	268	7.74	7.5	2.20	212	235	6.79	7.2	2.30	240	208	5.99	7.0	2.50	271	184	5.31	6.7	2.60																																																																																																																																																																																																																																																																																																																																																																																																																																																																																																																																																																																																																					
34	1453	41.92	16	1.00	39	1282	37.00	16	1.15	44	1137	32.80	16	1.30	51	970	28.00	15	1.45	52	969	27.96	15	1.50	61	815	23.51	15	1.80	67	748	21.60	14	1.90	75	665	19.18	14	2.00	84	594	17.15	14	2.20	93	534	15.42	13	2.40	108	464	13.38	13	2.60	120	415	11.98	12	2.80	145	344	9.94	12	3.20	157	317	9.15	12	3.60	175	285	8.23	11	3.80	202	247	7.14	11	4.10	77	651	18.80	8.8	1.15	81	617	17.82	8.9	1.20	92	541	15.60	8.7	1.30	102	487	14.05	8.5	1.40	117	427	12.33	8.3	1.50	132	377	10.88	8.0	1.65	149	334	9.64	7.8	1.80	168	298	8.59	7.7	2.00	186	268	7.74	7.5	2.20	212	235	6.79	7.2	2.30	240	208	5.99	7.0	2.50	271	184	5.31	6.7	2.60																																																																																																																																																																																																																																																																																																																																																																																																																																																																																																																																																																																																																										
39	1282	37.00	16	1.15	44	1137	32.80	16	1.30	51	970	28.00	15	1.45	52	969	27.96	15	1.50	61	815	23.51	15	1.80	67	748	21.60	14	1.90	75	665	19.18	14	2.00	84	594	17.15	14	2.20	93	534	15.42	13	2.40	108	464	13.38	13	2.60	120	415	11.98	12	2.80	145	344	9.94	12	3.20	157	317	9.15	12	3.60	175	285	8.23	11	3.80	202	247	7.14	11	4.10	77	651	18.80	8.8	1.15	81	617	17.82	8.9	1.20	92	541	15.60	8.7	1.30	102	487	14.05	8.5	1.40	117	427	12.33	8.3	1.50	132	377	10.88	8.0	1.65	149	334	9.64	7.8	1.80	168	298	8.59	7.7	2.00	186	268	7.74	7.5	2.20	212	235	6.79	7.2	2.30	240	208	5.99	7.0	2.50	271	184	5.31	6.7	2.60																																																																																																																																																																																																																																																																																																																																																																																																																																																																																																																																																																																																																															
44	1137	32.80	16	1.30	51	970	28.00	15	1.45	52	969	27.96	15	1.50	61	815	23.51	15	1.80	67	748	21.60	14	1.90	75	665	19.18	14	2.00	84	594	17.15	14	2.20	93	534	15.42	13	2.40	108	464	13.38	13	2.60	120	415	11.98	12	2.80	145	344	9.94	12	3.20	157	317	9.15	12	3.60	175	285	8.23	11	3.80	202	247	7.14	11	4.10	77	651	18.80	8.8	1.15	81	617	17.82	8.9	1.20	92	541	15.60	8.7	1.30	102	487	14.05	8.5	1.40	117	427	12.33	8.3	1.50	132	377	10.88	8.0	1.65	149	334	9.64	7.8	1.80	168	298	8.59	7.7	2.00	186	268	7.74	7.5	2.20	212	235	6.79	7.2	2.30	240	208	5.99	7.0	2.50	271	184	5.31	6.7	2.60																																																																																																																																																																																																																																																																																																																																																																																																																																																																																																																																																																																																																																				
51	970	28.00	15	1.45	52	969	27.96	15	1.50	61	815	23.51	15	1.80	67	748	21.60	14	1.90	75	665	19.18	14	2.00	84	594	17.15	14	2.20	93	534	15.42	13	2.40	108	464	13.38	13	2.60	120	415	11.98	12	2.80	145	344	9.94	12	3.20	157	317	9.15	12	3.60	175	285	8.23	11	3.80	202	247	7.14	11	4.10	77	651	18.80	8.8	1.15	81	617	17.82	8.9	1.20	92	541	15.60	8.7	1.30	102	487	14.05	8.5	1.40	117	427	12.33	8.3	1.50	132	377	10.88	8.0	1.65	149	334	9.64	7.8	1.80	168	298	8.59	7.7	2.00	186	268	7.74	7.5	2.20	212	235	6.79	7.2	2.30	240	208	5.99	7.0	2.50	271	184	5.31	6.7	2.60																																																																																																																																																																																																																																																																																																																																																																																																																																																																																																																																																																																																																																									
52	969	27.96	15	1.50	61	815	23.51	15	1.80	67	748	21.60	14	1.90	75	665	19.18	14	2.00	84	594	17.15	14	2.20	93	534	15.42	13	2.40	108	464	13.38	13	2.60	120	415	11.98	12	2.80	145	344	9.94	12	3.20	157	317	9.15	12	3.60	175	285	8.23	11	3.80	202	247	7.14	11	4.10	77	651	18.80	8.8	1.15	81	617	17.82	8.9	1.20	92	541	15.60	8.7	1.30	102	487	14.05	8.5	1.40	117	427	12.33	8.3	1.50	132	377	10.88	8.0	1.65	149	334	9.64	7.8	1.80	168	298	8.59	7.7	2.00	186	268	7.74	7.5	2.20	212	235	6.79	7.2	2.30	240	208	5.99	7.0	2.50	271	184	5.31	6.7	2.60																																																																																																																																																																																																																																																																																																																																																																																																																																																																																																																																																																																																																																														
61	815	23.51	15	1.80	67	748	21.60	14	1.90	75	665	19.18	14	2.00	84	594	17.15	14	2.20	93	534	15.42	13	2.40	108	464	13.38	13	2.60	120	415	11.98	12	2.80	145	344	9.94	12	3.20	157	317	9.15	12	3.60	175	285	8.23	11	3.80	202	247	7.14	11	4.10	77	651	18.80	8.8	1.15	81	617	17.82	8.9	1.20	92	541	15.60	8.7	1.30	102	487	14.05	8.5	1.40	117	427	12.33	8.3	1.50	132	377	10.88	8.0	1.65	149	334	9.64	7.8	1.80	168	298	8.59	7.7	2.00	186	268	7.74	7.5	2.20	212	235	6.79	7.2	2.30	240	208	5.99	7.0	2.50	271	184	5.31	6.7	2.60																																																																																																																																																																																																																																																																																																																																																																																																																																																																																																																																																																																																																																																			
67	748	21.60	14	1.90	75	665	19.18	14	2.00	84	594	17.15	14	2.20	93	534	15.42	13	2.40	108	464	13.38	13	2.60	120	415	11.98	12	2.80	145	344	9.94	12	3.20	157	317	9.15	12	3.60	175	285	8.23	11	3.80	202	247	7.14	11	4.10	77	651	18.80	8.8	1.15	81	617	17.82	8.9	1.20	92	541	15.60	8.7	1.30	102	487	14.05	8.5	1.40	117	427	12.33	8.3	1.50	132	377	10.88	8.0	1.65	149	334	9.64	7.8	1.80	168	298	8.59	7.7	2.00	186	268	7.74	7.5	2.20	212	235	6.79	7.2	2.30	240	208	5.99	7.0	2.50	271	184	5.31	6.7	2.60																																																																																																																																																																																																																																																																																																																																																																																																																																																																																																																																																																																																																																																								
75	665	19.18	14	2.00	84	594	17.15	14	2.20	93	534	15.42	13	2.40	108	464	13.38	13	2.60	120	415	11.98	12	2.80	145	344	9.94	12	3.20	157	317	9.15	12	3.60	175	285	8.23	11	3.80	202	247	7.14	11	4.10	77	651	18.80	8.8	1.15	81	617	17.82	8.9	1.20	92	541	15.60	8.7	1.30	102	487	14.05	8.5	1.40	117	427	12.33	8.3	1.50	132	377	10.88	8.0	1.65	149	334	9.64	7.8	1.80	168	298	8.59	7.7	2.00	186	268	7.74	7.5	2.20	212	235	6.79	7.2	2.30	240	208	5.99	7.0	2.50	271	184	5.31	6.7	2.60																																																																																																																																																																																																																																																																																																																																																																																																																																																																																																																																																																																																																																																													
84	594	17.15	14	2.20	93	534	15.42	13	2.40	108	464	13.38	13	2.60	120	415	11.98	12	2.80	145	344	9.94	12	3.20	157	317	9.15	12	3.60	175	285	8.23	11	3.80	202	247	7.14	11	4.10	77	651	18.80	8.8	1.15	81	617	17.82	8.9	1.20	92	541	15.60	8.7	1.30	102	487	14.05	8.5	1.40	117	427	12.33	8.3	1.50	132	377	10.88	8.0	1.65	149	334	9.64	7.8	1.80	168	298	8.59	7.7	2.00	186	268	7.74	7.5	2.20	212	235	6.79	7.2	2.30	240	208	5.99	7.0	2.50	271	184	5.31	6.7	2.60																																																																																																																																																																																																																																																																																																																																																																																																																																																																																																																																																																																																																																																																		
93	534	15.42	13	2.40	108	464	13.38	13	2.60	120	415	11.98	12	2.80	145	344	9.94	12	3.20	157	317	9.15	12	3.60	175	285	8.23	11	3.80	202	247	7.14	11	4.10	77	651	18.80	8.8	1.15	81	617	17.82	8.9	1.20	92	541	15.60	8.7	1.30	102	487	14.05	8.5	1.40	117	427	12.33	8.3	1.50	132	377	10.88	8.0	1.65	149	334	9.64	7.8	1.80	168	298	8.59	7.7	2.00	186	268	7.74	7.5	2.20	212	235	6.79	7.2	2.30	240	208	5.99	7.0	2.50	271	184	5.31	6.7	2.60																																																																																																																																																																																																																																																																																																																																																																																																																																																																																																																																																																																																																																																																							
108	464	13.38	13	2.60	120	415	11.98	12	2.80	145	344	9.94	12	3.20	157	317	9.15	12	3.60	175	285	8.23	11	3.80	202	247	7.14	11	4.10	77	651	18.80	8.8	1.15	81	617	17.82	8.9	1.20	92	541	15.60	8.7	1.30	102	487	14.05	8.5	1.40	117	427	12.33	8.3	1.50	132	377	10.88	8.0	1.65	149	334	9.64	7.8	1.80	168	298	8.59	7.7	2.00	186	268	7.74	7.5	2.20	212	235	6.79	7.2	2.30	240	208	5.99	7.0	2.50	271	184	5.31	6.7	2.60																																																																																																																																																																																																																																																																																																																																																																																																																																																																																																																																																																																																																																																																												
120	415	11.98	12	2.80	145	344	9.94	12	3.20	157	317	9.15	12	3.60	175	285	8.23	11	3.80	202	247	7.14	11	4.10	77	651	18.80	8.8	1.15	81	617	17.82	8.9	1.20	92	541	15.60	8.7	1.30	102	487	14.05	8.5	1.40	117	427	12.33	8.3	1.50	132	377	10.88	8.0	1.65	149	334	9.64	7.8	1.80	168	298	8.59	7.7	2.00	186	268	7.74	7.5	2.20	212	235	6.79	7.2	2.30	240	208	5.99	7.0	2.50	271	184	5.31	6.7	2.60																																																																																																																																																																																																																																																																																																																																																																																																																																																																																																																																																																																																																																																																																	
145	344	9.94	12	3.20	157	317	9.15	12	3.60	175	285	8.23	11	3.80	202	247	7.14	11	4.10	77	651	18.80	8.8	1.15	81	617	17.82	8.9	1.20	92	541	15.60	8.7	1.30	102	487	14.05	8.5	1.40	117	427	12.33	8.3	1.50	132	377	10.88	8.0	1.65	149	334	9.64	7.8	1.80	168	298	8.59	7.7	2.00	186	268	7.74	7.5	2.20	212	235	6.79	7.2	2.30	240	208	5.99	7.0	2.50	271	184	5.31	6.7	2.60																																																																																																																																																																																																																																																																																																																																																																																																																																																																																																																																																																																																																																																																																						
157	317	9.15	12	3.60	175	285	8.23	11	3.80	202	247	7.14	11	4.10	77	651	18.80	8.8	1.15	81	617	17.82	8.9	1.20	92	541	15.60	8.7	1.30	102	487	14.05	8.5	1.40	117	427	12.33	8.3	1.50	132	377	10.88	8.0	1.65	149	334	9.64	7.8	1.80	168	298	8.59	7.7	2.00	186	268	7.74	7.5	2.20	212	235	6.79	7.2	2.30	240	208	5.99	7.0	2.50	271	184	5.31	6.7	2.60																																																																																																																																																																																																																																																																																																																																																																																																																																																																																																																																																																																																																																																																																											
175	285	8.23	11	3.80	202	247	7.14	11	4.10	77	651	18.80	8.8	1.15	81	617	17.82	8.9	1.20	92	541	15.60	8.7	1.30	102	487	14.05	8.5	1.40	117	427	12.33	8.3	1.50	132	377	10.88	8.0	1.65	149	334	9.64	7.8	1.80	168	298	8.59	7.7	2.00	186	268	7.74	7.5	2.20	212	235	6.79	7.2	2.30	240	208	5.99	7.0	2.50	271	184	5.31	6.7	2.60																																																																																																																																																																																																																																																																																																																																																																																																																																																																																																																																																																																																																																																																																																
202	247	7.14	11	4.10	77	651	18.80	8.8	1.15	81	617	17.82	8.9	1.20	92	541	15.60	8.7	1.30	102	487	14.05	8.5	1.40	117	427	12.33	8.3	1.50	132	377	10.88	8.0	1.65	149	334	9.64	7.8	1.80	168	298	8.59	7.7	2.00	186	268	7.74	7.5	2.20	212	235	6.79	7.2	2.30	240	208	5.99	7.0	2.50	271	184	5.31	6.7	2.60																																																																																																																																																																																																																																																																																																																																																																																																																																																																																																																																																																																																																																																																																																					
77	651	18.80	8.8	1.15	81	617	17.82	8.9	1.20	92	541	15.60	8.7	1.30	102	487	14.05	8.5	1.40	117	427	12.33	8.3	1.50	132	377	10.88	8.0	1.65	149	334	9.64	7.8	1.80	168	298	8.59	7.7	2.00	186	268	7.74	7.5	2.20	212	235	6.79	7.2	2.30	240	208	5.99	7.0	2.50	271	184	5.31	6.7	2.60																																																																																																																																																																																																																																																																																																																																																																																																																																																																																																																																																																																																																																																																																																										
81	617	17.82	8.9	1.20	92	541	15.60	8.7	1.30	102	487	14.05	8.5	1.40	117	427	12.33	8.3	1.50	132	377	10.88	8.0	1.65	149	334	9.64	7.8	1.80	168	298	8.59	7.7	2.00	186	268	7.74	7.5	2.20	212	235	6.79	7.2	2.30	240	208	5.99	7.0	2.50	271	184	5.31	6.7	2.60																																																																																																																																																																																																																																																																																																																																																																																																																																																																																																																																																																																																																																																																																																															
92	541	15.60	8.7	1.30	102	487	14.05	8.5	1.40	117	427	12.33	8.3	1.50	132	377	10.88	8.0	1.65	149	334	9.64	7.8	1.80	168	298	8.59	7.7	2.00	186	268	7.74	7.5	2.20	212	235	6.79	7.2	2.30	240	208	5.99	7.0	2.50	271	184	5.31	6.7	2.60																																																																																																																																																																																																																																																																																																																																																																																																																																																																																																																																																																																																																																																																																																																				
102	487	14.05	8.5	1.40	117	427	12.33	8.3	1.50	132	377	10.88	8.0	1.65	149	334	9.64	7.8	1.80	168	298	8.59	7.7	2.00	186	268	7.74	7.5	2.20	212	235	6.79	7.2	2.30	240	208	5.99	7.0	2.50	271	184	5.31	6.7	2.60																																																																																																																																																																																																																																																																																																																																																																																																																																																																																																																																																																																																																																																																																																																									
117	427	12.33	8.3	1.50	132	377	10.88	8.0	1.65	149	334	9.64	7.8	1.80	168	298	8.59	7.7	2.00	186	268	7.74	7.5	2.20	212	235	6.79	7.2	2.30	240	208	5.99	7.0	2.50	271	184	5.31	6.7	2.60																																																																																																																																																																																																																																																																																																																																																																																																																																																																																																																																																																																																																																																																																																																														
132	377	10.88	8.0	1.65	149	334	9.64	7.8	1.80	168	298	8.59	7.7	2.00	186	268	7.74	7.5	2.20	212	235	6.79	7.2	2.30	240	208	5.99	7.0	2.50	271	184	5.31	6.7	2.60																																																																																																																																																																																																																																																																																																																																																																																																																																																																																																																																																																																																																																																																																																																																			
149	334	9.64	7.8	1.80	168	298	8.59	7.7	2.00	186	268	7.74	7.5	2.20	212	235	6.79	7.2	2.30	240	208	5.99	7.0	2.50	271	184	5.31	6.7	2.60																																																																																																																																																																																																																																																																																																																																																																																																																																																																																																																																																																																																																																																																																																																																								
168	298	8.59	7.7	2.00	186	268	7.74	7.5	2.20	212	235	6.79	7.2	2.30	240	208	5.99	7.0	2.50	271	184	5.31	6.7	2.60																																																																																																																																																																																																																																																																																																																																																																																																																																																																																																																																																																																																																																																																																																																																													
186	268	7.74	7.5	2.20	212	235	6.79	7.2	2.30	240	208	5.99	7.0	2.50	271	184	5.31	6.7	2.60																																																																																																																																																																																																																																																																																																																																																																																																																																																																																																																																																																																																																																																																																																																																																		
212	235	6.79	7.2	2.30	240	208	5.99	7.0	2.50	271	184	5.31	6.7	2.60																																																																																																																																																																																																																																																																																																																																																																																																																																																																																																																																																																																																																																																																																																																																																							
240	208	5.99	7.0	2.50	271	184	5.31	6.7	2.60																																																																																																																																																																																																																																																																																																																																																																																																																																																																																																																																																																																																																																																																																																																																																												
271	184	5.31	6.7	2.60																																																																																																																																																																																																																																																																																																																																																																																																																																																																																																																																																																																																																																																																																																																																																																	

选型参数表
(恒功率) 5.5kW-7.5kW
Selection Table
(Constant Power) 5.5kW-7.5kW

n_a [r/min]	M_a [Nm]	i	F_{Ra} [kN]	f_B	机型号 Type size	极数 Pole	n_a [r/min]	M_a [Nm]	i	F_{Ra} [kN]	f_B	机型号 Type size	极数 Pole																																																																																																																																																																																																																																																																																																																																																																																																																																																																																																																																																																																																																																					
5.5kW							5.5kW																																																																																																																																																																																																																																																																																																																																																																																																																																																																																																																																																																																																																																											
91	547	15.79	6.3	0.95	GR69 GRF69	4P	735	70	1.96	5.8	7.90	GRX99 GRXF99	4P																																																																																																																																																																																																																																																																																																																																																																																																																																																																																																																																																																																																																																					
97	517	14.91	6.6	1.00			113	440	12.70	6.5	1.10			125	400	11.54	6.4	1.20	144	347	10.00	6.2	1.30	166	301	8.70	6.0	1.40	185	270	7.79	5.9	1.35	196	255	7.36	5.8	1.35	230	217	6.27	5.6	1.45	253	198	5.70	5.4	1.50	292	171	4.93	5.2	1.60	336	149	4.29	5.0	1.70	GR69 GRF69							GRX89 GRXF89							333	150	8.70	5.0	2.80	372	134	7.79	4.9	2.70	394	127	7.36	4.8	2.80	463	108	6.27	4.6	2.90	509	98	5.70	4.5	3.00	588	85	4.93	4.3	3.20	676	74	4.29	4.1	3.50	GR69 GRF69							GRX79 GRXF79							97	512	14.77	1.6	0.80	103	483	13.95	2.0	0.85	121	412	11.88	2.8	0.95	133	374	10.79	3.1	1.00	154	324	9.35	3.1	1.10	181	276	7.97	3.1	1.20	191	261	7.53	3.0	1.25	225	222	6.41	3.0	1.40	247	202	5.82	2.9	1.50	285	175	5.05	2.9	1.65	328	152	4.39	2.8	1.75	GR59 GRF59							GRX69 GRXF69							310	161	9.35	2.8	2.20	364	137	7.97	2.7	2.40	385	130	7.53	2.7	2.50	452	110	6.41	2.6	2.90	498	100	5.82	2.5	3.00	574	87	5.05	2.4	3.30	661	76	4.39	2.3	3.50	GR59 GRF59							GRX59 GRXF59							297	168	4.85	1.8	0.85	332	150	4.34	2.0	0.90	389	128	3.70	2.0	1.00	GR49 GRF49							GR179R109 GRF179R109							231	216	12.54	1.6	1.10	246	203	11.79	1.8	1.15	286	175	10.15	2.1	1.25	320	156	9.07	2.1	1.35	374	133	7.75	1.9	1.40	483	103	6.00	1.9	1.45	514	97	5.64	1.9	1.50	598	83	4.85	1.8	1.70	668	75	4.34	1.8	1.85	784	64	3.70	1.7	2.10	GR49 GRF49							GR179R99 GRF179R99							221	232	6.52	16	4.80	245	209	5.87	16	6.25	GRX139 GRXF139							GR169R99 GRF169R99							217	236	6.63	10	1.90	257	200	5.61	9.5	2.20	277	185	5.19	9.3	3.70	310	165	4.65	9.0	4.10	GRX109 GRXF109							GR149R89 GRF149R89							249	206	5.79	8.0	1.95	293	175	4.91	7.6	2.20	319	161	4.52	7.4	3.60	356	144	4.04	7.2	4.00	396	129	3.64	7.0	4.40	436	117	3.30	6.8	4.90	493	104	2.92	6.5	5.50	545	94	2.64	6.4	6.10	643	80	2.24	6.0	7.20	GRX99 GRXF99							GR149R89 GRF149R89							7.5kW							7.5kW							1.5	43049	959	128	0.9	1.8	35867	799	128	1.0	1.9	34565	770	128	1.1	2.1	31243	696	128	1.2	2.4	26485	590	128	1.4	2.9	22086	492	128	1.7	3.2	20200	450	128	1.8	3.6	18091	403	128	2.0	4.0	16340	364	128	2.2	4.4	14859	331	128	2.5	4.9	13153	293	128	2.8	5.4	11941	266	128	3.1	1.9	34476	768	128	1.1	2.0	31872	710	128	1.1	2.3	27877	621	128	1.3	2.6	25273	563	128	1.4	3.0	21592	481	128	1.7	3.0	21413	477	128	1.7	3.5	18315	408	128	2.0	4.0	15981	356	128	2.3	4.9	13243	295	128	2.8	2.9	22580	503	54	0.80	3.3	19392	432	59	0.95	3.8	16924	377	62	1.10	4.3	15038	335	64	1.20	4.8	13602	303	66	1.30	5.2	12524	279	67	1.45	4.4	14634	326	48	0.90	5.1	12569	280	60	1.05	5.8	11088	247	62	1.20	6.7	9606	214	65	1.40	7.6	8484	189	66	1.60	9.1	7138	159
113	440	12.70	6.5	1.10			125	400	11.54	6.4	1.20	144	347	10.00	6.2	1.30	166	301	8.70	6.0	1.40	185	270	7.79	5.9	1.35	196	255	7.36	5.8	1.35	230	217	6.27	5.6	1.45	253	198	5.70	5.4	1.50	292	171	4.93	5.2	1.60	336	149	4.29	5.0	1.70	GR69 GRF69							GRX89 GRXF89							333	150	8.70	5.0	2.80	372	134	7.79	4.9	2.70	394	127	7.36	4.8	2.80	463	108	6.27	4.6	2.90	509	98	5.70	4.5	3.00	588	85	4.93	4.3	3.20	676	74	4.29	4.1	3.50	GR69 GRF69							GRX79 GRXF79							97	512	14.77	1.6	0.80	103	483	13.95	2.0	0.85	121	412	11.88	2.8	0.95	133	374	10.79	3.1	1.00	154	324	9.35	3.1	1.10	181	276	7.97	3.1	1.20	191	261	7.53	3.0	1.25	225	222	6.41	3.0	1.40	247	202	5.82	2.9	1.50	285	175	5.05	2.9	1.65	328	152	4.39	2.8	1.75	GR59 GRF59							GRX69 GRXF69							310	161	9.35	2.8	2.20	364	137	7.97	2.7	2.40	385	130	7.53	2.7	2.50	452	110	6.41	2.6	2.90	498	100	5.82	2.5	3.00	574	87	5.05	2.4	3.30	661	76	4.39	2.3	3.50	GR59 GRF59							GRX59 GRXF59							297	168	4.85	1.8	0.85	332	150	4.34	2.0	0.90	389	128	3.70	2.0	1.00	GR49 GRF49							GR179R109 GRF179R109							231	216	12.54	1.6	1.10	246	203	11.79	1.8	1.15	286	175	10.15	2.1	1.25	320	156	9.07	2.1	1.35	374	133	7.75	1.9	1.40	483	103	6.00	1.9	1.45	514	97	5.64	1.9	1.50	598	83	4.85	1.8	1.70	668	75	4.34	1.8	1.85	784	64	3.70	1.7	2.10	GR49 GRF49							GR179R99 GRF179R99							221	232	6.52	16	4.80	245	209	5.87	16	6.25	GRX139 GRXF139							GR169R99 GRF169R99							217	236	6.63	10	1.90	257	200	5.61	9.5	2.20	277	185	5.19	9.3	3.70	310	165	4.65	9.0	4.10	GRX109 GRXF109							GR149R89 GRF149R89							249	206	5.79	8.0	1.95	293	175	4.91	7.6	2.20	319	161	4.52	7.4	3.60	356	144	4.04	7.2	4.00	396	129	3.64	7.0	4.40	436	117	3.30	6.8	4.90	493	104	2.92	6.5	5.50	545	94	2.64	6.4	6.10	643	80	2.24	6.0	7.20	GRX99 GRXF99							GR149R89 GRF149R89							7.5kW							7.5kW							1.5	43049	959	128	0.9	1.8	35867	799	128	1.0	1.9	34565	770	128	1.1	2.1	31243	696	128	1.2	2.4	26485	590	128	1.4	2.9	22086	492	128	1.7	3.2	20200	450	128	1.8	3.6	18091	403	128	2.0	4.0	16340	364	128	2.2	4.4	14859	331	128	2.5	4.9	13153	293	128	2.8	5.4	11941	266	128	3.1	1.9	34476	768	128	1.1	2.0	31872	710	128	1.1	2.3	27877	621	128	1.3	2.6	25273	563	128	1.4	3.0	21592	481	128	1.7	3.0	21413	477	128	1.7	3.5	18315	408	128	2.0	4.0	15981	356	128	2.3	4.9	13243	295	128	2.8	2.9	22580	503	54	0.80	3.3	19392	432	59	0.95	3.8	16924	377	62	1.10	4.3	15038	335	64	1.20	4.8	13602	303	66	1.30	5.2	12524	279	67	1.45	4.4	14634	326	48	0.90	5.1	12569	280	60	1.05	5.8	11088	247	62	1.20	6.7	9606	214	65	1.40	7.6	8484	189	66	1.60	9.1	7138	159	67	1.80					
125	400	11.54	6.4	1.20			144	347	10.00	6.2	1.30	166	301	8.70	6.0	1.40	185	270	7.79	5.9	1.35	196	255	7.36	5.8	1.35	230	217	6.27	5.6	1.45	253	198	5.70	5.4	1.50	292	171	4.93	5.2	1.60	336	149	4.29	5.0	1.70	GR69 GRF69							GRX89 GRXF89							333	150	8.70	5.0	2.80	372	134	7.79	4.9	2.70	394	127	7.36	4.8	2.80	463	108	6.27	4.6	2.90	509	98	5.70	4.5	3.00	588	85	4.93	4.3	3.20	676	74	4.29	4.1	3.50	GR69 GRF69							GRX79 GRXF79							97	512	14.77	1.6	0.80	103	483	13.95	2.0	0.85	121	412	11.88	2.8	0.95	133	374	10.79	3.1	1.00	154	324	9.35	3.1	1.10	181	276	7.97	3.1	1.20	191	261	7.53	3.0	1.25	225	222	6.41	3.0	1.40	247	202	5.82	2.9	1.50	285	175	5.05	2.9	1.65	328	152	4.39	2.8	1.75	GR59 GRF59							GRX69 GRXF69							310	161	9.35	2.8	2.20	364	137	7.97	2.7	2.40	385	130	7.53	2.7	2.50	452	110	6.41	2.6	2.90	498	100	5.82	2.5	3.00	574	87	5.05	2.4	3.30	661	76	4.39	2.3	3.50	GR59 GRF59							GRX59 GRXF59							297	168	4.85	1.8	0.85	332	150	4.34	2.0	0.90	389	128	3.70	2.0	1.00	GR49 GRF49							GR179R109 GRF179R109							231	216	12.54	1.6	1.10	246	203	11.79	1.8	1.15	286	175	10.15	2.1	1.25	320	156	9.07	2.1	1.35	374	133	7.75	1.9	1.40	483	103	6.00	1.9	1.45	514	97	5.64	1.9	1.50	598	83	4.85	1.8	1.70	668	75	4.34	1.8	1.85	784	64	3.70	1.7	2.10	GR49 GRF49							GR179R99 GRF179R99							221	232	6.52	16	4.80	245	209	5.87	16	6.25	GRX139 GRXF139							GR169R99 GRF169R99							217	236	6.63	10	1.90	257	200	5.61	9.5	2.20	277	185	5.19	9.3	3.70	310	165	4.65	9.0	4.10	GRX109 GRXF109							GR149R89 GRF149R89							249	206	5.79	8.0	1.95	293	175	4.91	7.6	2.20	319	161	4.52	7.4	3.60	356	144	4.04	7.2	4.00	396	129	3.64	7.0	4.40	436	117	3.30	6.8	4.90	493	104	2.92	6.5	5.50	545	94	2.64	6.4	6.10	643	80	2.24	6.0	7.20	GRX99 GRXF99							GR149R89 GRF149R89							7.5kW							7.5kW							1.5	43049	959	128	0.9	1.8	35867	799	128	1.0	1.9	34565	770	128	1.1	2.1	31243	696	128	1.2	2.4	26485	590	128	1.4	2.9	22086	492	128	1.7	3.2	20200	450	128	1.8	3.6	18091	403	128	2.0	4.0	16340	364	128	2.2	4.4	14859	331	128	2.5	4.9	13153	293	128	2.8	5.4	11941	266	128	3.1	1.9	34476	768	128	1.1	2.0	31872	710	128	1.1	2.3	27877	621	128	1.3	2.6	25273	563	128	1.4	3.0	21592	481	128	1.7	3.0	21413	477	128	1.7	3.5	18315	408	128	2.0	4.0	15981	356	128	2.3	4.9	13243	295	128	2.8	2.9	22580	503	54	0.80	3.3	19392	432	59	0.95	3.8	16924	377	62	1.10	4.3	15038	335	64	1.20	4.8	13602	303	66	1.30	5.2	12524	279	67	1.45	4.4	14634	326	48	0.90	5.1	12569	280	60	1.05	5.8	11088	247	62	1.20	6.7	9606	214	65	1.40	7.6	8484	189	66	1.60	9.1	7138	159	67	1.80										
144	347	10.00	6.2	1.30			166	301	8.70	6.0	1.40	185	270	7.79	5.9	1.35	196	255	7.36	5.8	1.35	230	217	6.27	5.6	1.45	253	198	5.70	5.4	1.50	292	171	4.93	5.2	1.60	336	149	4.29	5.0	1.70	GR69 GRF69							GRX89 GRXF89							333	150	8.70	5.0	2.80	372	134	7.79	4.9	2.70	394	127	7.36	4.8	2.80	463	108	6.27	4.6	2.90	509	98	5.70	4.5	3.00	588	85	4.93	4.3	3.20	676	74	4.29	4.1	3.50	GR69 GRF69							GRX79 GRXF79							97	512	14.77	1.6	0.80	103	483	13.95	2.0	0.85	121	412	11.88	2.8	0.95	133	374	10.79	3.1	1.00	154	324	9.35	3.1	1.10	181	276	7.97	3.1	1.20	191	261	7.53	3.0	1.25	225	222	6.41	3.0	1.40	247	202	5.82	2.9	1.50	285	175	5.05	2.9	1.65	328	152	4.39	2.8	1.75	GR59 GRF59							GRX69 GRXF69							310	161	9.35	2.8	2.20	364	137	7.97	2.7	2.40	385	130	7.53	2.7	2.50	452	110	6.41	2.6	2.90	498	100	5.82	2.5	3.00	574	87	5.05	2.4	3.30	661	76	4.39	2.3	3.50	GR59 GRF59							GRX59 GRXF59							297	168	4.85	1.8	0.85	332	150	4.34	2.0	0.90	389	128	3.70	2.0	1.00	GR49 GRF49							GR179R109 GRF179R109							231	216	12.54	1.6	1.10	246	203	11.79	1.8	1.15	286	175	10.15	2.1	1.25	320	156	9.07	2.1	1.35	374	133	7.75	1.9	1.40	483	103	6.00	1.9	1.45	514	97	5.64	1.9	1.50	598	83	4.85	1.8	1.70	668	75	4.34	1.8	1.85	784	64	3.70	1.7	2.10	GR49 GRF49							GR179R99 GRF179R99							221	232	6.52	16	4.80	245	209	5.87	16	6.25	GRX139 GRXF139							GR169R99 GRF169R99							217	236	6.63	10	1.90	257	200	5.61	9.5	2.20	277	185	5.19	9.3	3.70	310	165	4.65	9.0	4.10	GRX109 GRXF109							GR149R89 GRF149R89							249	206	5.79	8.0	1.95	293	175	4.91	7.6	2.20	319	161	4.52	7.4	3.60	356	144	4.04	7.2	4.00	396	129	3.64	7.0	4.40	436	117	3.30	6.8	4.90	493	104	2.92	6.5	5.50	545	94	2.64	6.4	6.10	643	80	2.24	6.0	7.20	GRX99 GRXF99							GR149R89 GRF149R89							7.5kW							7.5kW							1.5	43049	959	128	0.9	1.8	35867	799	128	1.0	1.9	34565	770	128	1.1	2.1	31243	696	128	1.2	2.4	26485	590	128	1.4	2.9	22086	492	128	1.7	3.2	20200	450	128	1.8	3.6	18091	403	128	2.0	4.0	16340	364	128	2.2	4.4	14859	331	128	2.5	4.9	13153	293	128	2.8	5.4	11941	266	128	3.1	1.9	34476	768	128	1.1	2.0	31872	710	128	1.1	2.3	27877	621	128	1.3	2.6	25273	563	128	1.4	3.0	21592	481	128	1.7	3.0	21413	477	128	1.7	3.5	18315	408	128	2.0	4.0	15981	356	128	2.3	4.9	13243	295	128	2.8	2.9	22580	503	54	0.80	3.3	19392	432	59	0.95	3.8	16924	377	62	1.10	4.3	15038	335	64	1.20	4.8	13602	303	66	1.30	5.2	12524	279	67	1.45	4.4	14634	326	48	0.90	5.1	12569	280	60	1.05	5.8	11088	247	62	1.20	6.7	9606	214	65	1.40	7.6	8484	189	66	1.60	9.1	7138	159	67	1.80															
166	301	8.70	6.0	1.40			185	270	7.79	5.9	1.35	196	255	7.36	5.8	1.35	230	217	6.27	5.6	1.45	253	198	5.70	5.4	1.50	292	171	4.93	5.2	1.60	336	149	4.29	5.0	1.70	GR69 GRF69							GRX89 GRXF89							333	150	8.70	5.0	2.80	372	134	7.79	4.9	2.70	394	127	7.36	4.8	2.80	463	108	6.27	4.6	2.90	509	98	5.70	4.5	3.00	588	85	4.93	4.3	3.20	676	74	4.29	4.1	3.50	GR69 GRF69							GRX79 GRXF79							97	512	14.77	1.6	0.80	103	483	13.95	2.0	0.85	121	412	11.88	2.8	0.95	133	374	10.79	3.1	1.00	154	324	9.35	3.1	1.10	181	276	7.97	3.1	1.20	191	261	7.53	3.0	1.25	225	222	6.41	3.0	1.40	247	202	5.82	2.9	1.50	285	175	5.05	2.9	1.65	328	152	4.39	2.8	1.75	GR59 GRF59							GRX69 GRXF69							310	161	9.35	2.8	2.20	364	137	7.97	2.7	2.40	385	130	7.53	2.7	2.50	452	110	6.41	2.6	2.90	498	100	5.82	2.5	3.00	574	87	5.05	2.4	3.30	661	76	4.39	2.3	3.50	GR59 GRF59							GRX59 GRXF59							297	168	4.85	1.8	0.85	332	150	4.34	2.0	0.90	389	128	3.70	2.0	1.00	GR49 GRF49							GR179R109 GRF179R109							231	216	12.54	1.6	1.10	246	203	11.79	1.8	1.15	286	175	10.15	2.1	1.25	320	156	9.07	2.1	1.35	374	133	7.75	1.9	1.40	483	103	6.00	1.9	1.45	514	97	5.64	1.9	1.50	598	83	4.85	1.8	1.70	668	75	4.34	1.8	1.85	784	64	3.70	1.7	2.10	GR49 GRF49							GR179R99 GRF179R99							221	232	6.52	16	4.80	245	209	5.87	16	6.25	GRX139 GRXF139							GR169R99 GRF169R99							217	236	6.63	10	1.90	257	200	5.61	9.5	2.20	277	185	5.19	9.3	3.70	310	165	4.65	9.0	4.10	GRX109 GRXF109							GR149R89 GRF149R89							249	206	5.79	8.0	1.95	293	175	4.91	7.6	2.20	319	161	4.52	7.4	3.60	356	144	4.04	7.2	4.00	396	129	3.64	7.0	4.40	436	117	3.30	6.8	4.90	493	104	2.92	6.5	5.50	545	94	2.64	6.4	6.10	643	80	2.24	6.0	7.20	GRX99 GRXF99							GR149R89 GRF149R89							7.5kW							7.5kW							1.5	43049	959	128	0.9	1.8	35867	799	128	1.0	1.9	34565	770	128	1.1	2.1	31243	696	128	1.2	2.4	26485	590	128	1.4	2.9	22086	492	128	1.7	3.2	20200	450	128	1.8	3.6	18091	403	128	2.0	4.0	16340	364	128	2.2	4.4	14859	331	128	2.5	4.9	13153	293	128	2.8	5.4	11941	266	128	3.1	1.9	34476	768	128	1.1	2.0	31872	710	128	1.1	2.3	27877	621	128	1.3	2.6	25273	563	128	1.4	3.0	21592	481	128	1.7	3.0	21413	477	128	1.7	3.5	18315	408	128	2.0	4.0	15981	356	128	2.3	4.9	13243	295	128	2.8	2.9	22580	503	54	0.80	3.3	19392	432	59	0.95	3.8	16924	377	62	1.10	4.3	15038	335	64	1.20	4.8	13602	303	66	1.30	5.2	12524	279	67	1.45	4.4	14634	326	48	0.90	5.1	12569	280	60	1.05	5.8	11088	247	62	1.20	6.7	9606	214	65	1.40	7.6	8484	189	66	1.60	9.1	7138	159	67	1.80																				
185	270	7.79	5.9	1.35			196	255	7.36	5.8	1.35	230	217	6.27	5.6	1.45	253	198	5.70	5.4	1.50	292	171	4.93	5.2	1.60	336	149	4.29	5.0	1.70	GR69 GRF69							GRX89 GRXF89							333	150	8.70	5.0	2.80	372	134	7.79	4.9	2.70	394	127	7.36	4.8	2.80	463	108	6.27	4.6	2.90	509	98	5.70	4.5	3.00	588	85	4.93	4.3	3.20	676	74	4.29	4.1	3.50	GR69 GRF69							GRX79 GRXF79							97	512	14.77	1.6	0.80	103	483	13.95	2.0	0.85	121	412	11.88	2.8	0.95	133	374	10.79	3.1	1.00	154	324	9.35	3.1	1.10	181	276	7.97	3.1	1.20	191	261	7.53	3.0	1.25	225	222	6.41	3.0	1.40	247	202	5.82	2.9	1.50	285	175	5.05	2.9	1.65	328	152	4.39	2.8	1.75	GR59 GRF59							GRX69 GRXF69							310	161	9.35	2.8	2.20	364	137	7.97	2.7	2.40	385	130	7.53	2.7	2.50	452	110	6.41	2.6	2.90	498	100	5.82	2.5	3.00	574	87	5.05	2.4	3.30	661	76	4.39	2.3	3.50	GR59 GRF59							GRX59 GRXF59							297	168	4.85	1.8	0.85	332	150	4.34	2.0	0.90	389	128	3.70	2.0	1.00	GR49 GRF49							GR179R109 GRF179R109							231	216	12.54	1.6	1.10	246	203	11.79	1.8	1.15	286	175	10.15	2.1	1.25	320	156	9.07	2.1	1.35	374	133	7.75	1.9	1.40	483	103	6.00	1.9	1.45	514	97	5.64	1.9	1.50	598	83	4.85	1.8	1.70	668	75	4.34	1.8	1.85	784	64	3.70	1.7	2.10	GR49 GRF49							GR179R99 GRF179R99							221	232	6.52	16	4.80	245	209	5.87	16	6.25	GRX139 GRXF139							GR169R99 GRF169R99							217	236	6.63	10	1.90	257	200	5.61	9.5	2.20	277	185	5.19	9.3	3.70	310	165	4.65	9.0	4.10	GRX109 GRXF109							GR149R89 GRF149R89							249	206	5.79	8.0	1.95	293	175	4.91	7.6	2.20	319	161	4.52	7.4	3.60	356	144	4.04	7.2	4.00	396	129	3.64	7.0	4.40	436	117	3.30	6.8	4.90	493	104	2.92	6.5	5.50	545	94	2.64	6.4	6.10	643	80	2.24	6.0	7.20	GRX99 GRXF99							GR149R89 GRF149R89							7.5kW							7.5kW							1.5	43049	959	128	0.9	1.8	35867	799	128	1.0	1.9	34565	770	128	1.1	2.1	31243	696	128	1.2	2.4	26485	590	128	1.4	2.9	22086	492	128	1.7	3.2	20200	450	128	1.8	3.6	18091	403	128	2.0	4.0	16340	364	128	2.2	4.4	14859	331	128	2.5	4.9	13153	293	128	2.8	5.4	11941	266	128	3.1	1.9	34476	768	128	1.1	2.0	31872	710	128	1.1	2.3	27877	621	128	1.3	2.6	25273	563	128	1.4	3.0	21592	481	128	1.7	3.0	21413	477	128	1.7	3.5	18315	408	128	2.0	4.0	15981	356	128	2.3	4.9	13243	295	128	2.8	2.9	22580	503	54	0.80	3.3	19392	432	59	0.95	3.8	16924	377	62	1.10	4.3	15038	335	64	1.20	4.8	13602	303	66	1.30	5.2	12524	279	67	1.45	4.4	14634	326	48	0.90	5.1	12569	280	60	1.05	5.8	11088	247	62	1.20	6.7	9606	214	65	1.40	7.6	8484	189	66	1.60	9.1	7138	159	67	1.80																									
196	255	7.36	5.8	1.35			230	217	6.27	5.6	1.45	253	198	5.70	5.4	1.50	292	171	4.93	5.2	1.60	336	149	4.29	5.0	1.70	GR69 GRF69							GRX89 GRXF89							333	150	8.70	5.0	2.80	372	134	7.79	4.9	2.70	394	127	7.36	4.8	2.80	463	108	6.27	4.6	2.90	509	98	5.70	4.5	3.00	588	85	4.93	4.3	3.20	676	74	4.29	4.1	3.50	GR69 GRF69							GRX79 GRXF79							97	512	14.77	1.6	0.80	103	483	13.95	2.0	0.85	121	412	11.88	2.8	0.95	133	374	10.79	3.1	1.00	154	324	9.35	3.1	1.10	181	276	7.97	3.1	1.20	191	261	7.53	3.0	1.25	225	222	6.41	3.0	1.40	247	202	5.82	2.9	1.50	285	175	5.05	2.9	1.65	328	152	4.39	2.8	1.75	GR59 GRF59							GRX69 GRXF69							310	161	9.35	2.8	2.20	364	137	7.97	2.7	2.40	385	130	7.53	2.7	2.50	452	110	6.41	2.6	2.90	498	100	5.82	2.5	3.00	574	87	5.05	2.4	3.30	661	76	4.39	2.3	3.50	GR59 GRF59							GRX59 GRXF59							297	168	4.85	1.8	0.85	332	150	4.34	2.0	0.90	389	128	3.70	2.0	1.00	GR49 GRF49							GR179R109 GRF179R109							231	216	12.54	1.6	1.10	246	203	11.79	1.8	1.15	286	175	10.15	2.1	1.25	320	156	9.07	2.1	1.35	374	133	7.75	1.9	1.40	483	103	6.00	1.9	1.45	514	97	5.64	1.9	1.50	598	83	4.85	1.8	1.70	668	75	4.34	1.8	1.85	784	64	3.70	1.7	2.10	GR49 GRF49							GR179R99 GRF179R99							221	232	6.52	16	4.80	245	209	5.87	16	6.25	GRX139 GRXF139							GR169R99 GRF169R99							217	236	6.63	10	1.90	257	200	5.61	9.5	2.20	277	185	5.19	9.3	3.70	310	165	4.65	9.0	4.10	GRX109 GRXF109							GR149R89 GRF149R89							249	206	5.79	8.0	1.95	293	175	4.91	7.6	2.20	319	161	4.52	7.4	3.60	356	144	4.04	7.2	4.00	396	129	3.64	7.0	4.40	436	117	3.30	6.8	4.90	493	104	2.92	6.5	5.50	545	94	2.64	6.4	6.10	643	80	2.24	6.0	7.20	GRX99 GRXF99							GR149R89 GRF149R89							7.5kW							7.5kW							1.5	43049	959	128	0.9	1.8	35867	799	128	1.0	1.9	34565	770	128	1.1	2.1	31243	696	128	1.2	2.4	26485	590	128	1.4	2.9	22086	492	128	1.7	3.2	20200	450	128	1.8	3.6	18091	403	128	2.0	4.0	16340	364	128	2.2	4.4	14859	331	128	2.5	4.9	13153	293	128	2.8	5.4	11941	266	128	3.1	1.9	34476	768	128	1.1	2.0	31872	710	128	1.1	2.3	27877	621	128	1.3	2.6	25273	563	128	1.4	3.0	21592	481	128	1.7	3.0	21413	477	128	1.7	3.5	18315	408	128	2.0	4.0	15981	356	128	2.3	4.9	13243	295	128	2.8	2.9	22580	503	54	0.80	3.3	19392	432	59	0.95	3.8	16924	377	62	1.10	4.3	15038	335	64	1.20	4.8	13602	303	66	1.30	5.2	12524	279	67	1.45	4.4	14634	326	48	0.90	5.1	12569	280	60	1.05	5.8	11088	247	62	1.20	6.7	9606	214	65	1.40	7.6	8484	189	66	1.60	9.1	7138	159	67	1.80																														
230	217	6.27	5.6	1.45			253	198	5.70	5.4	1.50	292	171	4.93	5.2	1.60	336	149	4.29	5.0	1.70	GR69 GRF69							GRX89 GRXF89							333	150	8.70	5.0	2.80	372	134	7.79	4.9	2.70	394	127	7.36	4.8	2.80	463	108	6.27	4.6	2.90	509	98	5.70	4.5	3.00	588	85	4.93	4.3	3.20	676	74	4.29	4.1	3.50	GR69 GRF69							GRX79 GRXF79							97	512	14.77	1.6	0.80	103	483	13.95	2.0	0.85	121	412	11.88	2.8	0.95	133	374	10.79	3.1	1.00	154	324	9.35	3.1	1.10	181	276	7.97	3.1	1.20	191	261	7.53	3.0	1.25	225	222	6.41	3.0	1.40	247	202	5.82	2.9	1.50	285	175	5.05	2.9	1.65	328	152	4.39	2.8	1.75	GR59 GRF59							GRX69 GRXF69							310	161	9.35	2.8	2.20	364	137	7.97	2.7	2.40	385	130	7.53	2.7	2.50	452	110	6.41	2.6	2.90	498	100	5.82	2.5	3.00	574	87	5.05	2.4	3.30	661	76	4.39	2.3	3.50	GR59 GRF59							GRX59 GRXF59							297	168	4.85	1.8	0.85	332	150	4.34	2.0	0.90	389	128	3.70	2.0	1.00	GR49 GRF49							GR179R109 GRF179R109							231	216	12.54	1.6	1.10	246	203	11.79	1.8	1.15	286	175	10.15	2.1	1.25	320	156	9.07	2.1	1.35	374	133	7.75	1.9	1.40	483	103	6.00	1.9	1.45	514	97	5.64	1.9	1.50	598	83	4.85	1.8	1.70	668	75	4.34	1.8	1.85	784	64	3.70	1.7	2.10	GR49 GRF49							GR179R99 GRF179R99							221	232	6.52	16	4.80	245	209	5.87	16	6.25	GRX139 GRXF139							GR169R99 GRF169R99							217	236	6.63	10	1.90	257	200	5.61	9.5	2.20	277	185	5.19	9.3	3.70	310	165	4.65	9.0	4.10	GRX109 GRXF109							GR149R89 GRF149R89							249	206	5.79	8.0	1.95	293	175	4.91	7.6	2.20	319	161	4.52	7.4	3.60	356	144	4.04	7.2	4.00	396	129	3.64	7.0	4.40	436	117	3.30	6.8	4.90	493	104	2.92	6.5	5.50	545	94	2.64	6.4	6.10	643	80	2.24	6.0	7.20	GRX99 GRXF99							GR149R89 GRF149R89							7.5kW							7.5kW							1.5	43049	959	128	0.9	1.8	35867	799	128	1.0	1.9	34565	770	128	1.1	2.1	31243	696	128	1.2	2.4	26485	590	128	1.4	2.9	22086	492	128	1.7	3.2	20200	450	128	1.8	3.6	18091	403	128	2.0	4.0	16340	364	128	2.2	4.4	14859	331	128	2.5	4.9	13153	293	128	2.8	5.4	11941	266	128	3.1	1.9	34476	768	128	1.1	2.0	31872	710	128	1.1	2.3	27877	621	128	1.3	2.6	25273	563	128	1.4	3.0	21592	481	128	1.7	3.0	21413	477	128	1.7	3.5	18315	408	128	2.0	4.0	15981	356	128	2.3	4.9	13243	295	128	2.8	2.9	22580	503	54	0.80	3.3	19392	432	59	0.95	3.8	16924	377	62	1.10	4.3	15038	335	64	1.20	4.8	13602	303	66	1.30	5.2	12524	279	67	1.45	4.4	14634	326	48	0.90	5.1	12569	280	60	1.05	5.8	11088	247	62	1.20	6.7	9606	214	65	1.40	7.6	8484	189	66	1.60	9.1	7138	159	67	1.80																																			
253	198	5.70	5.4	1.50			292	171	4.93	5.2	1.60	336	149	4.29	5.0	1.70	GR69 GRF69							GRX89 GRXF89							333	150	8.70	5.0	2.80	372	134	7.79	4.9	2.70	394	127	7.36	4.8	2.80	463	108	6.27	4.6	2.90	509	98	5.70	4.5	3.00	588	85	4.93	4.3	3.20	676	74	4.29	4.1	3.50	GR69 GRF69							GRX79 GRXF79							97	512	14.77	1.6	0.80	103	483	13.95	2.0	0.85	121	412	11.88	2.8	0.95	133	374	10.79	3.1	1.00	154	324	9.35	3.1	1.10	181	276	7.97	3.1	1.20	191	261	7.53	3.0	1.25	225	222	6.41	3.0	1.40	247	202	5.82	2.9	1.50	285	175	5.05	2.9	1.65	328	152	4.39	2.8	1.75	GR59 GRF59							GRX69 GRXF69							310	161	9.35	2.8	2.20	364	137	7.97	2.7	2.40	385	130	7.53	2.7	2.50	452	110	6.41	2.6	2.90	498	100	5.82	2.5	3.00	574	87	5.05	2.4	3.30	661	76	4.39	2.3	3.50	GR59 GRF59							GRX59 GRXF59							297	168	4.85	1.8	0.85	332	150	4.34	2.0	0.90	389	128	3.70	2.0	1.00	GR49 GRF49							GR179R109 GRF179R109							231	216	12.54	1.6	1.10	246	203	11.79	1.8	1.15	286	175	10.15	2.1	1.25	320	156	9.07	2.1	1.35	374	133	7.75	1.9	1.40	483	103	6.00	1.9	1.45	514	97	5.64	1.9	1.50	598	83	4.85	1.8	1.70	668	75	4.34	1.8	1.85	784	64	3.70	1.7	2.10	GR49 GRF49							GR179R99 GRF179R99							221	232	6.52	16	4.80	245	209	5.87	16	6.25	GRX139 GRXF139							GR169R99 GRF169R99							217	236	6.63	10	1.90	257	200	5.61	9.5	2.20	277	185	5.19	9.3	3.70	310	165	4.65	9.0	4.10	GRX109 GRXF109							GR149R89 GRF149R89							249	206	5.79	8.0	1.95	293	175	4.91	7.6	2.20	319	161	4.52	7.4	3.60	356	144	4.04	7.2	4.00	396	129	3.64	7.0	4.40	436	117	3.30	6.8	4.90	493	104	2.92	6.5	5.50	545	94	2.64	6.4	6.10	643	80	2.24	6.0	7.20	GRX99 GRXF99							GR149R89 GRF149R89							7.5kW							7.5kW							1.5	43049	959	128	0.9	1.8	35867	799	128	1.0	1.9	34565	770	128	1.1	2.1	31243	696	128	1.2	2.4	26485	590	128	1.4	2.9	22086	492	128	1.7	3.2	20200	450	128	1.8	3.6	18091	403	128	2.0	4.0	16340	364	128	2.2	4.4	14859	331	128	2.5	4.9	13153	293	128	2.8	5.4	11941	266	128	3.1	1.9	34476	768	128	1.1	2.0	31872	710	128	1.1	2.3	27877	621	128	1.3	2.6	25273	563	128	1.4	3.0	21592	481	128	1.7	3.0	21413	477	128	1.7	3.5	18315	408	128	2.0	4.0	15981	356	128	2.3	4.9	13243	295	128	2.8	2.9	22580	503	54	0.80	3.3	19392	432	59	0.95	3.8	16924	377	62	1.10	4.3	15038	335	64	1.20	4.8	13602	303	66	1.30	5.2	12524	279	67	1.45	4.4	14634	326	48	0.90	5.1	12569	280	60	1.05	5.8	11088	247	62	1.20	6.7	9606	214	65	1.40	7.6	8484	189	66	1.60	9.1	7138	159	67	1.80																																								
292	171	4.93	5.2	1.60	336	149	4.29	5.0	1.70	GR69 GRF69							GRX89 GRXF89							333	150	8.70	5.0	2.80	372	134	7.79	4.9	2.70	394	127	7.36	4.8	2.80	463	108	6.27	4.6	2.90	509	98	5.70	4.5	3.00	588	85	4.93	4.3	3.20	676	74	4.29	4.1	3.50	GR69 GRF69							GRX79 GRXF79							97	512	14.77	1.6	0.80	103	483	13.95	2.0	0.85	121	412	11.88	2.8	0.95	133	374	10.79	3.1	1.00	154	324	9.35	3.1	1.10	181	276	7.97	3.1	1.20	191	261	7.53	3.0	1.25	225	222	6.41	3.0	1.40	247	202	5.82	2.9	1.50	285	175	5.05	2.9	1.65	328	152	4.39	2.8	1.75	GR59 GRF59							GRX69 GRXF69							310	161	9.35	2.8	2.20	364	137	7.97	2.7	2.40	385	130	7.53	2.7	2.50	452	110	6.41	2.6	2.90	498	100	5.82	2.5	3.00	574	87	5.05	2.4	3.30	661	76	4.39	2.3	3.50	GR59 GRF59							GRX59 GRXF59							297	168	4.85	1.8	0.85	332	150	4.34	2.0	0.90	389	128	3.70	2.0	1.00	GR49 GRF49							GR179R109 GRF179R109							231	216	12.54	1.6	1.10	246	203	11.79	1.8	1.15	286	175	10.15	2.1	1.25	320	156	9.07	2.1	1.35	374	133	7.75	1.9	1.40	483	103	6.00	1.9	1.45	514	97	5.64	1.9	1.50	598	83	4.85	1.8	1.70	668	75	4.34	1.8	1.85	784	64	3.70	1.7	2.10	GR49 GRF49							GR179R99 GRF179R99							221	232	6.52	16	4.80	245	209	5.87	16	6.25	GRX139 GRXF139							GR169R99 GRF169R99							217	236	6.63	10	1.90	257	200	5.61	9.5	2.20	277	185	5.19	9.3	3.70	310	165	4.65	9.0	4.10	GRX109 GRXF109							GR149R89 GRF149R89							249	206	5.79	8.0	1.95	293	175	4.91	7.6	2.20	319	161	4.52	7.4	3.60	356	144	4.04	7.2	4.00	396	129	3.64	7.0	4.40	436	117	3.30	6.8	4.90	493	104	2.92	6.5	5.50	545	94	2.64	6.4	6.10	643	80	2.24	6.0	7.20	GRX99 GRXF99							GR149R89 GRF149R89							7.5kW							7.5kW							1.5	43049	959	128	0.9	1.8	35867	799	128	1.0	1.9	34565	770	128	1.1	2.1	31243	696	128	1.2	2.4	26485	590	128	1.4	2.9	22086	492	128	1.7	3.2	20200	450	128	1.8	3.6	18091	403	128	2.0	4.0	16340	364	128	2.2	4.4	14859	331	128	2.5	4.9	13153	293	128	2.8	5.4	11941	266	128	3.1	1.9	34476	768	128	1.1	2.0	31872	710	128	1.1	2.3	27877	621	128	1.3	2.6	25273	563	128	1.4	3.0	21592	481	128	1.7	3.0	21413	477	128	1.7	3.5	18315	408	128	2.0	4.0	15981	356	128	2.3	4.9	13243	295	128	2.8	2.9	22580	503	54	0.80	3.3	19392	432	59	0.95	3.8	16924	377	62	1.10	4.3	15038	335	64	1.20	4.8	13602	303	66	1.30	5.2	12524	279	67	1.45	4.4	14634	326	48	0.90	5.1	12569	280	60	1.05	5.8	11088	247	62	1.20	6.7	9606	214	65	1.40	7.6	8484	189	66	1.60	9.1	7138	159	67	1.80																																															
336	149	4.29	5.0	1.70	GR69 GRF69							GRX89 GRXF89							333	150	8.70	5.0	2.80	372	134	7.79	4.9	2.70	394	127	7.36	4.8	2.80	463	108	6.27	4.6	2.90	509	98	5.70	4.5	3.00	588	85	4.93	4.3	3.20	676	74	4.29	4.1	3.50	GR69 GRF69							GRX79 GRXF79							97	512	14.77	1.6	0.80	103	483	13.95	2.0	0.85	121	412	11.88	2.8	0.95	133	374	10.79	3.1	1.00	154	324	9.35	3.1	1.10	181	276	7.97	3.1	1.20	191	261	7.53	3.0	1.25	225	222	6.41	3.0	1.40	247	202	5.82	2.9	1.50	285	175	5.05	2.9	1.65	328	152	4.39	2.8	1.75	GR59 GRF59							GRX69 GRXF69							310	161	9.35	2.8	2.20	364	137	7.97	2.7	2.40	385	130	7.53	2.7	2.50	452	110	6.41	2.6	2.90	498	100	5.82	2.5	3.00	574	87	5.05	2.4	3.30	661	76	4.39	2.3	3.50	GR59 GRF59							GRX59 GRXF59							297	168	4.85	1.8	0.85	332	150	4.34	2.0	0.90	389	128	3.70	2.0	1.00	GR49 GRF49							GR179R109 GRF179R109							231	216	12.54	1.6	1.10	246	203	11.79	1.8	1.15	286	175	10.15	2.1	1.25	320	156	9.07	2.1	1.35	374	133	7.75	1.9	1.40	483	103	6.00	1.9	1.45	514	97	5.64	1.9	1.50	598	83	4.85	1.8	1.70	668	75	4.34	1.8	1.85	784	64	3.70	1.7	2.10	GR49 GRF49							GR179R99 GRF179R99							221	232	6.52	16	4.80	245	209	5.87	16	6.25	GRX139 GRXF139							GR169R99 GRF169R99							217	236	6.63	10	1.90	257	200	5.61	9.5	2.20	277	185	5.19	9.3	3.70	310	165	4.65	9.0	4.10	GRX109 GRXF109							GR149R89 GRF149R89							249	206	5.79	8.0	1.95	293	175	4.91	7.6	2.20	319	161	4.52	7.4	3.60	356	144	4.04	7.2	4.00	396	129	3.64	7.0	4.40	436	117	3.30	6.8	4.90	493	104	2.92	6.5	5.50	545	94	2.64	6.4	6.10	643	80	2.24	6.0	7.20	GRX99 GRXF99							GR149R89 GRF149R89							7.5kW							7.5kW							1.5	43049	959	128	0.9	1.8	35867	799	128	1.0	1.9	34565	770	128	1.1	2.1	31243	696	128	1.2	2.4	26485	590	128	1.4	2.9	22086	492	128	1.7	3.2	20200	450	128	1.8	3.6	18091	403	128	2.0	4.0	16340	364	128	2.2	4.4	14859	331	128	2.5	4.9	13153	293	128	2.8	5.4	11941	266	128	3.1	1.9	34476	768	128	1.1	2.0	31872	710	128	1.1	2.3	27877	621	128	1.3	2.6	25273	563	128	1.4	3.0	21592	481	128	1.7	3.0	21413	477	128	1.7	3.5	18315	408	128	2.0	4.0	15981	356	128	2.3	4.9	13243	295	128	2.8	2.9	22580	503	54	0.80	3.3	19392	432	59	0.95	3.8	16924	377	62	1.10	4.3	15038	335	64	1.20	4.8	13602	303	66	1.30	5.2	12524	279	67	1.45	4.4	14634	326	48	0.90	5.1	12569	280	60	1.05	5.8	11088	247	62	1.20	6.7	9606	214	65	1.40	7.6	8484	189	66	1.60	9.1	7138	159	67	1.80																																																				
GR69 GRF69							GRX89 GRXF89																																																																																																																																																																																																																																																																																																																																																																																																																																																																																																																																																																																																																																											
333	150	8.70	5.0	2.80	372	134	7.79	4.9	2.70	394	127	7.36	4.8	2.80	463	108	6.27	4.6	2.90	509	98	5.70	4.5	3.00	588	85	4.93	4.3	3.20	676	74	4.29	4.1	3.50	GR69 GRF69							GRX79 GRXF79							97	512	14.77	1.6	0.80	103	483	13.95	2.0	0.85	121	412	11.88	2.8	0.95	133	374	10.79	3.1	1.00	154	324	9.35	3.1	1.10	181	276	7.97	3.1	1.20	191	261	7.53	3.0	1.25	225	222	6.41	3.0	1.40	247	202	5.82	2.9	1.50	285	175	5.05	2.9	1.65	328	152	4.39	2.8	1.75	GR59 GRF59							GRX69 GRXF69							310	161	9.35	2.8	2.20	364	137	7.97	2.7	2.40	385	130	7.53	2.7	2.50	452	110	6.41	2.6	2.90	498	100	5.82	2.5	3.00	574	87	5.05	2.4	3.30	661	76	4.39	2.3	3.50	GR59 GRF59							GRX59 GRXF59							297	168	4.85	1.8	0.85	332	150	4.34	2.0	0.90	389	128	3.70	2.0	1.00	GR49 GRF49							GR179R109 GRF179R109							231	216	12.54	1.6	1.10	246	203	11.79	1.8	1.15	286	175	10.15	2.1	1.25	320	156	9.07	2.1	1.35	374	133	7.75	1.9	1.40	483	103	6.00	1.9	1.45	514	97	5.64	1.9	1.50	598	83	4.85	1.8	1.70	668	75	4.34	1.8	1.85	784	64	3.70	1.7	2.10	GR49 GRF49							GR179R99 GRF179R99							221	232	6.52	16	4.80	245	209	5.87	16	6.25	GRX139 GRXF139							GR169R99 GRF169R99							217	236	6.63	10	1.90	257	200	5.61	9.5	2.20	277	185	5.19	9.3	3.70	310	165	4.65	9.0	4.10	GRX109 GRXF109							GR149R89 GRF149R89							249	206	5.79	8.0	1.95	293	175	4.91	7.6	2.20	319	161	4.52	7.4	3.60	356	144	4.04	7.2	4.00	396	129	3.64	7.0	4.40	436	117	3.30	6.8	4.90	493	104	2.92	6.5	5.50	545	94	2.64	6.4	6.10	643	80	2.24	6.0	7.20	GRX99 GRXF99							GR149R89 GRF149R89							7.5kW							7.5kW							1.5	43049	959	128	0.9	1.8	35867	799	128	1.0	1.9	34565	770	128	1.1	2.1	31243	696	128	1.2	2.4	26485	590	128	1.4	2.9	22086	492	128	1.7	3.2	20200	450	128	1.8	3.6	18091	403	128	2.0	4.0	16340	364	128	2.2	4.4	14859	331	128	2.5	4.9	13153	293	128	2.8	5.4	11941	266	128	3.1	1.9	34476	768	128	1.1	2.0	31872	710	128	1.1	2.3	27877	621	128	1.3	2.6	25273	563	128	1.4	3.0	21592	481	128	1.7	3.0	21413	477	128	1.7	3.5	18315	408	128	2.0	4.0	15981	356	128	2.3	4.9	13243	295	128	2.8	2.9	22580	503	54	0.80	3.3	19392	432	59	0.95	3.8	16924	377	62	1.10	4.3	15038	335	64	1.20	4.8	13602	303	66	1.30	5.2	12524	279	67	1.45	4.4	14634	326	48	0.90	5.1	12569	280	60	1.05	5.8	11088	247	62	1.20	6.7	9606	214	65	1.40	7.6	8484	189	66	1.60	9.1	7138	159	67	1.80																																																																							
372	134	7.79	4.9	2.70	394	127	7.36	4.8	2.80	463	108	6.27	4.6	2.90	509	98	5.70	4.5	3.00	588	85	4.93	4.3	3.20	676	74	4.29	4.1	3.50	GR69 GRF69							GRX79 GRXF79							97	512	14.77	1.6	0.80	103	483	13.95	2.0	0.85	121	412	11.88	2.8	0.95	133	374	10.79	3.1	1.00	154	324	9.35	3.1	1.10	181	276	7.97	3.1	1.20	191	261	7.53	3.0	1.25	225	222	6.41	3.0	1.40	247	202	5.82	2.9	1.50	285	175	5.05	2.9	1.65	328	152	4.39	2.8	1.75	GR59 GRF59							GRX69 GRXF69							310	161	9.35	2.8	2.20	364	137	7.97	2.7	2.40	385	130	7.53	2.7	2.50	452	110	6.41	2.6	2.90	498	100	5.82	2.5	3.00	574	87	5.05	2.4	3.30	661	76	4.39	2.3	3.50	GR59 GRF59							GRX59 GRXF59							297	168	4.85	1.8	0.85	332	150	4.34	2.0	0.90	389	128	3.70	2.0	1.00	GR49 GRF49							GR179R109 GRF179R109							231	216	12.54	1.6	1.10	246	203	11.79	1.8	1.15	286	175	10.15	2.1	1.25	320	156	9.07	2.1	1.35	374	133	7.75	1.9	1.40	483	103	6.00	1.9	1.45	514	97	5.64	1.9	1.50	598	83	4.85	1.8	1.70	668	75	4.34	1.8	1.85	784	64	3.70	1.7	2.10	GR49 GRF49							GR179R99 GRF179R99							221	232	6.52	16	4.80	245	209	5.87	16	6.25	GRX139 GRXF139							GR169R99 GRF169R99							217	236	6.63	10	1.90	257	200	5.61	9.5	2.20	277	185	5.19	9.3	3.70	310	165	4.65	9.0	4.10	GRX109 GRXF109							GR149R89 GRF149R89							249	206	5.79	8.0	1.95	293	175	4.91	7.6	2.20	319	161	4.52	7.4	3.60	356	144	4.04	7.2	4.00	396	129	3.64	7.0	4.40	436	117	3.30	6.8	4.90	493	104	2.92	6.5	5.50	545	94	2.64	6.4	6.10	643	80	2.24	6.0	7.20	GRX99 GRXF99							GR149R89 GRF149R89							7.5kW							7.5kW							1.5	43049	959	128	0.9	1.8	35867	799	128	1.0	1.9	34565	770	128	1.1	2.1	31243	696	128	1.2	2.4	26485	590	128	1.4	2.9	22086	492	128	1.7	3.2	20200	450	128	1.8	3.6	18091	403	128	2.0	4.0	16340	364	128	2.2	4.4	14859	331	128	2.5	4.9	13153	293	128	2.8	5.4	11941	266	128	3.1	1.9	34476	768	128	1.1	2.0	31872	710	128	1.1	2.3	27877	621	128	1.3	2.6	25273	563	128	1.4	3.0	21592	481	128	1.7	3.0	21413	477	128	1.7	3.5	18315	408	128	2.0	4.0	15981	356	128	2.3	4.9	13243	295	128	2.8	2.9	22580	503	54	0.80	3.3	19392	432	59	0.95	3.8	16924	377	62	1.10	4.3	15038	335	64	1.20	4.8	13602	303	66	1.30	5.2	12524	279	67	1.45	4.4	14634	326	48	0.90	5.1	12569	280	60	1.05	5.8	11088	247	62	1.20	6.7	9606	214	65	1.40	7.6	8484	189	66	1.60	9.1	7138	159	67	1.80																																																																												
394	127	7.36	4.8	2.80	463	108	6.27	4.6	2.90	509	98	5.70	4.5	3.00	588	85	4.93	4.3	3.20	676	74	4.29	4.1	3.50	GR69 GRF69							GRX79 GRXF79							97	512	14.77	1.6	0.80	103	483	13.95	2.0	0.85	121	412	11.88	2.8	0.95	133	374	10.79	3.1	1.00	154	324	9.35	3.1	1.10	181	276	7.97	3.1	1.20	191	261	7.53	3.0	1.25	225	222	6.41	3.0	1.40	247	202	5.82	2.9	1.50	285	175	5.05	2.9	1.65	328	152	4.39	2.8	1.75	GR59 GRF59							GRX69 GRXF69							310	161	9.35	2.8	2.20	364	137	7.97	2.7	2.40	385	130	7.53	2.7	2.50	452	110	6.41	2.6	2.90	498	100	5.82	2.5	3.00	574	87	5.05	2.4	3.30	661	76	4.39	2.3	3.50	GR59 GRF59							GRX59 GRXF59							297	168	4.85	1.8	0.85	332	150	4.34	2.0	0.90	389	128	3.70	2.0	1.00	GR49 GRF49							GR179R109 GRF179R109							231	216	12.54	1.6	1.10	246	203	11.79	1.8	1.15	286	175	10.15	2.1	1.25	320	156	9.07	2.1	1.35	374	133	7.75	1.9	1.40	483	103	6.00	1.9	1.45	514	97	5.64	1.9	1.50	598	83	4.85	1.8	1.70	668	75	4.34	1.8	1.85	784	64	3.70	1.7	2.10	GR49 GRF49							GR179R99 GRF179R99							221	232	6.52	16	4.80	245	209	5.87	16	6.25	GRX139 GRXF139							GR169R99 GRF169R99							217	236	6.63	10	1.90	257	200	5.61	9.5	2.20	277	185	5.19	9.3	3.70	310	165	4.65	9.0	4.10	GRX109 GRXF109							GR149R89 GRF149R89							249	206	5.79	8.0	1.95	293	175	4.91	7.6	2.20	319	161	4.52	7.4	3.60	356	144	4.04	7.2	4.00	396	129	3.64	7.0	4.40	436	117	3.30	6.8	4.90	493	104	2.92	6.5	5.50	545	94	2.64	6.4	6.10	643	80	2.24	6.0	7.20	GRX99 GRXF99							GR149R89 GRF149R89							7.5kW							7.5kW							1.5	43049	959	128	0.9	1.8	35867	799	128	1.0	1.9	34565	770	128	1.1	2.1	31243	696	128	1.2	2.4	26485	590	128	1.4	2.9	22086	492	128	1.7	3.2	20200	450	128	1.8	3.6	18091	403	128	2.0	4.0	16340	364	128	2.2	4.4	14859	331	128	2.5	4.9	13153	293	128	2.8	5.4	11941	266	128	3.1	1.9	34476	768	128	1.1	2.0	31872	710	128	1.1	2.3	27877	621	128	1.3	2.6	25273	563	128	1.4	3.0	21592	481	128	1.7	3.0	21413	477	128	1.7	3.5	18315	408	128	2.0	4.0	15981	356	128	2.3	4.9	13243	295	128	2.8	2.9	22580	503	54	0.80	3.3	19392	432	59	0.95	3.8	16924	377	62	1.10	4.3	15038	335	64	1.20	4.8	13602	303	66	1.30	5.2	12524	279	67	1.45	4.4	14634	326	48	0.90	5.1	12569	280	60	1.05	5.8	11088	247	62	1.20	6.7	9606	214	65	1.40	7.6	8484	189	66	1.60	9.1	7138	159	67	1.80																																																																																	
463	108	6.27	4.6	2.90	509	98	5.70	4.5	3.00	588	85	4.93	4.3	3.20	676	74	4.29	4.1	3.50	GR69 GRF69							GRX79 GRXF79							97	512	14.77	1.6	0.80	103	483	13.95	2.0	0.85	121	412	11.88	2.8	0.95	133	374	10.79	3.1	1.00	154	324	9.35	3.1	1.10	181	276	7.97	3.1	1.20	191	261	7.53	3.0	1.25	225	222	6.41	3.0	1.40	247	202	5.82	2.9	1.50	285	175	5.05	2.9	1.65	328	152	4.39	2.8	1.75	GR59 GRF59							GRX69 GRXF69							310	161	9.35	2.8	2.20	364	137	7.97	2.7	2.40	385	130	7.53	2.7	2.50	452	110	6.41	2.6	2.90	498	100	5.82	2.5	3.00	574	87	5.05	2.4	3.30	661	76	4.39	2.3	3.50	GR59 GRF59							GRX59 GRXF59							297	168	4.85	1.8	0.85	332	150	4.34	2.0	0.90	389	128	3.70	2.0	1.00	GR49 GRF49							GR179R109 GRF179R109							231	216	12.54	1.6	1.10	246	203	11.79	1.8	1.15	286	175	10.15	2.1	1.25	320	156	9.07	2.1	1.35	374	133	7.75	1.9	1.40	483	103	6.00	1.9	1.45	514	97	5.64	1.9	1.50	598	83	4.85	1.8	1.70	668	75	4.34	1.8	1.85	784	64	3.70	1.7	2.10	GR49 GRF49							GR179R99 GRF179R99							221	232	6.52	16	4.80	245	209	5.87	16	6.25	GRX139 GRXF139							GR169R99 GRF169R99							217	236	6.63	10	1.90	257	200	5.61	9.5	2.20	277	185	5.19	9.3	3.70	310	165	4.65	9.0	4.10	GRX109 GRXF109							GR149R89 GRF149R89							249	206	5.79	8.0	1.95	293	175	4.91	7.6	2.20	319	161	4.52	7.4	3.60	356	144	4.04	7.2	4.00	396	129	3.64	7.0	4.40	436	117	3.30	6.8	4.90	493	104	2.92	6.5	5.50	545	94	2.64	6.4	6.10	643	80	2.24	6.0	7.20	GRX99 GRXF99							GR149R89 GRF149R89							7.5kW							7.5kW							1.5	43049	959	128	0.9	1.8	35867	799	128	1.0	1.9	34565	770	128	1.1	2.1	31243	696	128	1.2	2.4	26485	590	128	1.4	2.9	22086	492	128	1.7	3.2	20200	450	128	1.8	3.6	18091	403	128	2.0	4.0	16340	364	128	2.2	4.4	14859	331	128	2.5	4.9	13153	293	128	2.8	5.4	11941	266	128	3.1	1.9	34476	768	128	1.1	2.0	31872	710	128	1.1	2.3	27877	621	128	1.3	2.6	25273	563	128	1.4	3.0	21592	481	128	1.7	3.0	21413	477	128	1.7	3.5	18315	408	128	2.0	4.0	15981	356	128	2.3	4.9	13243	295	128	2.8	2.9	22580	503	54	0.80	3.3	19392	432	59	0.95	3.8	16924	377	62	1.10	4.3	15038	335	64	1.20	4.8	13602	303	66	1.30	5.2	12524	279	67	1.45	4.4	14634	326	48	0.90	5.1	12569	280	60	1.05	5.8	11088	247	62	1.20	6.7	9606	214	65	1.40	7.6	8484	189	66	1.60	9.1	7138	159	67	1.80																																																																																						
509	98	5.70	4.5	3.00	588	85	4.93	4.3	3.20	676	74	4.29	4.1	3.50	GR69 GRF69							GRX79 GRXF79							97	512	14.77	1.6	0.80	103	483	13.95	2.0	0.85	121	412	11.88	2.8	0.95	133	374	10.79	3.1	1.00	154	324	9.35	3.1	1.10	181	276	7.97	3.1	1.20	191	261	7.53	3.0	1.25	225	222	6.41	3.0	1.40	247	202	5.82	2.9	1.50	285	175	5.05	2.9	1.65	328	152	4.39	2.8	1.75	GR59 GRF59							GRX69 GRXF69							310	161	9.35	2.8	2.20	364	137	7.97	2.7	2.40	385	130	7.53	2.7	2.50	452	110	6.41	2.6	2.90	498	100	5.82	2.5	3.00	574	87	5.05	2.4	3.30	661	76	4.39	2.3	3.50	GR59 GRF59							GRX59 GRXF59							297	168	4.85	1.8	0.85	332	150	4.34	2.0	0.90	389	128	3.70	2.0	1.00	GR49 GRF49							GR179R109 GRF179R109							231	216	12.54	1.6	1.10	246	203	11.79	1.8	1.15	286	175	10.15	2.1	1.25	320	156	9.07	2.1	1.35	374	133	7.75	1.9	1.40	483	103	6.00	1.9	1.45	514	97	5.64	1.9	1.50	598	83	4.85	1.8	1.70	668	75	4.34	1.8	1.85	784	64	3.70	1.7	2.10	GR49 GRF49							GR179R99 GRF179R99							221	232	6.52	16	4.80	245	209	5.87	16	6.25	GRX139 GRXF139							GR169R99 GRF169R99							217	236	6.63	10	1.90	257	200	5.61	9.5	2.20	277	185	5.19	9.3	3.70	310	165	4.65	9.0	4.10	GRX109 GRXF109							GR149R89 GRF149R89							249	206	5.79	8.0	1.95	293	175	4.91	7.6	2.20	319	161	4.52	7.4	3.60	356	144	4.04	7.2	4.00	396	129	3.64	7.0	4.40	436	117	3.30	6.8	4.90	493	104	2.92	6.5	5.50	545	94	2.64	6.4	6.10	643	80	2.24	6.0	7.20	GRX99 GRXF99							GR149R89 GRF149R89							7.5kW							7.5kW							1.5	43049	959	128	0.9	1.8	35867	799	128	1.0	1.9	34565	770	128	1.1	2.1	31243	696	128	1.2	2.4	26485	590	128	1.4	2.9	22086	492	128	1.7	3.2	20200	450	128	1.8	3.6	18091	403	128	2.0	4.0	16340	364	128	2.2	4.4	14859	331	128	2.5	4.9	13153	293	128	2.8	5.4	11941	266	128	3.1	1.9	34476	768	128	1.1	2.0	31872	710	128	1.1	2.3	27877	621	128	1.3	2.6	25273	563	128	1.4	3.0	21592	481	128	1.7	3.0	21413	477	128	1.7	3.5	18315	408	128	2.0	4.0	15981	356	128	2.3	4.9	13243	295	128	2.8	2.9	22580	503	54	0.80	3.3	19392	432	59	0.95	3.8	16924	377	62	1.10	4.3	15038	335	64	1.20	4.8	13602	303	66	1.30	5.2	12524	279	67	1.45	4.4	14634	326	48	0.90	5.1	12569	280	60	1.05	5.8	11088	247	62	1.20	6.7	9606	214	65	1.40	7.6	8484	189	66	1.60	9.1	7138	159	67	1.80																																																																																											
588	85	4.93	4.3	3.20	676	74	4.29	4.1	3.50	GR69 GRF69							GRX79 GRXF79							97	512	14.77	1.6	0.80	103	483	13.95	2.0	0.85	121	412	11.88	2.8	0.95	133	374	10.79	3.1	1.00	154	324	9.35	3.1	1.10	181	276	7.97	3.1	1.20	191	261	7.53	3.0	1.25	225	222	6.41	3.0	1.40	247	202	5.82	2.9	1.50	285	175	5.05	2.9	1.65	328	152	4.39	2.8	1.75	GR59 GRF59							GRX69 GRXF69							310	161	9.35	2.8	2.20	364	137	7.97	2.7	2.40	385	130	7.53	2.7	2.50	452	110	6.41	2.6	2.90	498	100	5.82	2.5	3.00	574	87	5.05	2.4	3.30	661	76	4.39	2.3	3.50	GR59 GRF59							GRX59 GRXF59							297	168	4.85	1.8	0.85	332	150	4.34	2.0	0.90	389	128	3.70	2.0	1.00	GR49 GRF49							GR179R109 GRF179R109							231	216	12.54	1.6	1.10	246	203	11.79	1.8	1.15	286	175	10.15	2.1	1.25	320	156	9.07	2.1	1.35	374	133	7.75	1.9	1.40	483	103	6.00	1.9	1.45	514	97	5.64	1.9	1.50	598	83	4.85	1.8	1.70	668	75	4.34	1.8	1.85	784	64	3.70	1.7	2.10	GR49 GRF49							GR179R99 GRF179R99							221	232	6.52	16	4.80	245	209	5.87	16	6.25	GRX139 GRXF139							GR169R99 GRF169R99							217	236	6.63	10	1.90	257	200	5.61	9.5	2.20	277	185	5.19	9.3	3.70	310	165	4.65	9.0	4.10	GRX109 GRXF109							GR149R89 GRF149R89							249	206	5.79	8.0	1.95	293	175	4.91	7.6	2.20	319	161	4.52	7.4	3.60	356	144	4.04	7.2	4.00	396	129	3.64	7.0	4.40	436	117	3.30	6.8	4.90	493	104	2.92	6.5	5.50	545	94	2.64	6.4	6.10	643	80	2.24	6.0	7.20	GRX99 GRXF99							GR149R89 GRF149R89							7.5kW							7.5kW							1.5	43049	959	128	0.9	1.8	35867	799	128	1.0	1.9	34565	770	128	1.1	2.1	31243	696	128	1.2	2.4	26485	590	128	1.4	2.9	22086	492	128	1.7	3.2	20200	450	128	1.8	3.6	18091	403	128	2.0	4.0	16340	364	128	2.2	4.4	14859	331	128	2.5	4.9	13153	293	128	2.8	5.4	11941	266	128	3.1	1.9	34476	768	128	1.1	2.0	31872	710	128	1.1	2.3	27877	621	128	1.3	2.6	25273	563	128	1.4	3.0	21592	481	128	1.7	3.0	21413	477	128	1.7	3.5	18315	408	128	2.0	4.0	15981	356	128	2.3	4.9	13243	295	128	2.8	2.9	22580	503	54	0.80	3.3	19392	432	59	0.95	3.8	16924	377	62	1.10	4.3	15038	335	64	1.20	4.8	13602	303	66	1.30	5.2	12524	279	67	1.45	4.4	14634	326	48	0.90	5.1	12569	280	60	1.05	5.8	11088	247	62	1.20	6.7	9606	214	65	1.40	7.6	8484	189	66	1.60	9.1	7138	159	67	1.80																																																																																																
676	74	4.29	4.1	3.50	GR69 GRF69							GRX79 GRXF79							97	512	14.77	1.6	0.80	103	483	13.95	2.0	0.85	121	412	11.88	2.8	0.95	133	374	10.79	3.1	1.00	154	324	9.35	3.1	1.10	181	276	7.97	3.1	1.20	191	261	7.53	3.0	1.25	225	222	6.41	3.0	1.40	247	202	5.82	2.9	1.50	285	175	5.05	2.9	1.65	328	152	4.39	2.8	1.75	GR59 GRF59							GRX69 GRXF69							310	161	9.35	2.8	2.20	364	137	7.97	2.7	2.40	385	130	7.53	2.7	2.50	452	110	6.41	2.6	2.90	498	100	5.82	2.5	3.00	574	87	5.05	2.4	3.30	661	76	4.39	2.3	3.50	GR59 GRF59							GRX59 GRXF59							297	168	4.85	1.8	0.85	332	150	4.34	2.0	0.90	389	128	3.70	2.0	1.00	GR49 GRF49							GR179R109 GRF179R109							231	216	12.54	1.6	1.10	246	203	11.79	1.8	1.15	286	175	10.15	2.1	1.25	320	156	9.07	2.1	1.35	374	133	7.75	1.9	1.40	483	103	6.00	1.9	1.45	514	97	5.64	1.9	1.50	598	83	4.85	1.8	1.70	668	75	4.34	1.8	1.85	784	64	3.70	1.7	2.10	GR49 GRF49							GR179R99 GRF179R99							221	232	6.52	16	4.80	245	209	5.87	16	6.25	GRX139 GRXF139							GR169R99 GRF169R99							217	236	6.63	10	1.90	257	200	5.61	9.5	2.20	277	185	5.19	9.3	3.70	310	165	4.65	9.0	4.10	GRX109 GRXF109							GR149R89 GRF149R89							249	206	5.79	8.0	1.95	293	175	4.91	7.6	2.20	319	161	4.52	7.4	3.60	356	144	4.04	7.2	4.00	396	129	3.64	7.0	4.40	436	117	3.30	6.8	4.90	493	104	2.92	6.5	5.50	545	94	2.64	6.4	6.10	643	80	2.24	6.0	7.20	GRX99 GRXF99							GR149R89 GRF149R89							7.5kW							7.5kW							1.5	43049	959	128	0.9	1.8	35867	799	128	1.0	1.9	34565	770	128	1.1	2.1	31243	696	128	1.2	2.4	26485	590	128	1.4	2.9	22086	492	128	1.7	3.2	20200	450	128	1.8	3.6	18091	403	128	2.0	4.0	16340	364	128	2.2	4.4	14859	331	128	2.5	4.9	13153	293	128	2.8	5.4	11941	266	128	3.1	1.9	34476	768	128	1.1	2.0	31872	710	128	1.1	2.3	27877	621	128	1.3	2.6	25273	563	128	1.4	3.0	21592	481	128	1.7	3.0	21413	477	128	1.7	3.5	18315	408	128	2.0	4.0	15981	356	128	2.3	4.9	13243	295	128	2.8	2.9	22580	503	54	0.80	3.3	19392	432	59	0.95	3.8	16924	377	62	1.10	4.3	15038	335	64	1.20	4.8	13602	303	66	1.30	5.2	12524	279	67	1.45	4.4	14634	326	48	0.90	5.1	12569	280	60	1.05	5.8	11088	247	62	1.20	6.7	9606	214	65	1.40	7.6	8484	189	66	1.60	9.1	7138	159	67	1.80																																																																																																					
GR69 GRF69							GRX79 GRXF79																																																																																																																																																																																																																																																																																																																																																																																																																																																																																																																																																																																																																																											
97	512	14.77	1.6	0.80	103	483	13.95	2.0	0.85	121	412	11.88	2.8	0.95	133	374	10.79	3.1	1.00	154	324	9.35	3.1	1.10	181	276	7.97	3.1	1.20	191	261	7.53	3.0	1.25	225	222	6.41	3.0	1.40	247	202	5.82	2.9	1.50	285	175	5.05	2.9	1.65	328	152	4.39	2.8	1.75	GR59 GRF59							GRX69 GRXF69							310	161	9.35	2.8	2.20	364	137	7.97	2.7	2.40	385	130	7.53	2.7	2.50	452	110	6.41	2.6	2.90	498	100	5.82	2.5	3.00	574	87	5.05	2.4	3.30	661	76	4.39	2.3	3.50	GR59 GRF59							GRX59 GRXF59							297	168	4.85	1.8	0.85	332	150	4.34	2.0	0.90	389	128	3.70	2.0	1.00	GR49 GRF49							GR179R109 GRF179R109							231	216	12.54	1.6	1.10	246	203	11.79	1.8	1.15	286	175	10.15	2.1	1.25	320	156	9.07	2.1	1.35	374	133	7.75	1.9	1.40	483	103	6.00	1.9	1.45	514	97	5.64	1.9	1.50	598	83	4.85	1.8	1.70	668	75	4.34	1.8	1.85	784	64	3.70	1.7	2.10	GR49 GRF49							GR179R99 GRF179R99							221	232	6.52	16	4.80	245	209	5.87	16	6.25	GRX139 GRXF139							GR169R99 GRF169R99							217	236	6.63	10	1.90	257	200	5.61	9.5	2.20	277	185	5.19	9.3	3.70	310	165	4.65	9.0	4.10	GRX109 GRXF109							GR149R89 GRF149R89							249	206	5.79	8.0	1.95	293	175	4.91	7.6	2.20	319	161	4.52	7.4	3.60	356	144	4.04	7.2	4.00	396	129	3.64	7.0	4.40	436	117	3.30	6.8	4.90	493	104	2.92	6.5	5.50	545	94	2.64	6.4	6.10	643	80	2.24	6.0	7.20	GRX99 GRXF99							GR149R89 GRF149R89							7.5kW							7.5kW							1.5	43049	959	128	0.9	1.8	35867	799	128	1.0	1.9	34565	770	128	1.1	2.1	31243	696	128	1.2	2.4	26485	590	128	1.4	2.9	22086	492	128	1.7	3.2	20200	450	128	1.8	3.6	18091	403	128	2.0	4.0	16340	364	128	2.2	4.4	14859	331	128	2.5	4.9	13153	293	128	2.8	5.4	11941	266	128	3.1	1.9	34476	768	128	1.1	2.0	31872	710	128	1.1	2.3	27877	621	128	1.3	2.6	25273	563	128	1.4	3.0	21592	481	128	1.7	3.0	21413	477	128	1.7	3.5	18315	408	128	2.0	4.0	15981	356	128	2.3	4.9	13243	295	128	2.8	2.9	22580	503	54	0.80	3.3	19392	432	59	0.95	3.8	16924	377	62	1.10	4.3	15038	335	64	1.20	4.8	13602	303	66	1.30	5.2	12524	279	67	1.45	4.4	14634	326	48	0.90	5.1	12569	280	60	1.05	5.8	11088	247	62	1.20	6.7	9606	214	65	1.40	7.6	8484	189	66	1.60	9.1	7138	159	67	1.80																																																																																																																								
103	483	13.95	2.0	0.85	121	412	11.88	2.8	0.95	133	374	10.79	3.1	1.00	154	324	9.35	3.1	1.10	181	276	7.97	3.1	1.20	191	261	7.53	3.0	1.25	225	222	6.41	3.0	1.40	247	202	5.82	2.9	1.50	285	175	5.05	2.9	1.65	328	152	4.39	2.8	1.75	GR59 GRF59							GRX69 GRXF69							310	161	9.35	2.8	2.20	364	137	7.97	2.7	2.40	385	130	7.53	2.7	2.50	452	110	6.41	2.6	2.90	498	100	5.82	2.5	3.00	574	87	5.05	2.4	3.30	661	76	4.39	2.3	3.50	GR59 GRF59							GRX59 GRXF59							297	168	4.85	1.8	0.85	332	150	4.34	2.0	0.90	389	128	3.70	2.0	1.00	GR49 GRF49							GR179R109 GRF179R109							231	216	12.54	1.6	1.10	246	203	11.79	1.8	1.15	286	175	10.15	2.1	1.25	320	156	9.07	2.1	1.35	374	133	7.75	1.9	1.40	483	103	6.00	1.9	1.45	514	97	5.64	1.9	1.50	598	83	4.85	1.8	1.70	668	75	4.34	1.8	1.85	784	64	3.70	1.7	2.10	GR49 GRF49							GR179R99 GRF179R99							221	232	6.52	16	4.80	245	209	5.87	16	6.25	GRX139 GRXF139							GR169R99 GRF169R99							217	236	6.63	10	1.90	257	200	5.61	9.5	2.20	277	185	5.19	9.3	3.70	310	165	4.65	9.0	4.10	GRX109 GRXF109							GR149R89 GRF149R89							249	206	5.79	8.0	1.95	293	175	4.91	7.6	2.20	319	161	4.52	7.4	3.60	356	144	4.04	7.2	4.00	396	129	3.64	7.0	4.40	436	117	3.30	6.8	4.90	493	104	2.92	6.5	5.50	545	94	2.64	6.4	6.10	643	80	2.24	6.0	7.20	GRX99 GRXF99							GR149R89 GRF149R89							7.5kW							7.5kW							1.5	43049	959	128	0.9	1.8	35867	799	128	1.0	1.9	34565	770	128	1.1	2.1	31243	696	128	1.2	2.4	26485	590	128	1.4	2.9	22086	492	128	1.7	3.2	20200	450	128	1.8	3.6	18091	403	128	2.0	4.0	16340	364	128	2.2	4.4	14859	331	128	2.5	4.9	13153	293	128	2.8	5.4	11941	266	128	3.1	1.9	34476	768	128	1.1	2.0	31872	710	128	1.1	2.3	27877	621	128	1.3	2.6	25273	563	128	1.4	3.0	21592	481	128	1.7	3.0	21413	477	128	1.7	3.5	18315	408	128	2.0	4.0	15981	356	128	2.3	4.9	13243	295	128	2.8	2.9	22580	503	54	0.80	3.3	19392	432	59	0.95	3.8	16924	377	62	1.10	4.3	15038	335	64	1.20	4.8	13602	303	66	1.30	5.2	12524	279	67	1.45	4.4	14634	326	48	0.90	5.1	12569	280	60	1.05	5.8	11088	247	62	1.20	6.7	9606	214	65	1.40	7.6	8484	189	66	1.60	9.1	7138	159	67	1.80																																																																																																																													
121	412	11.88	2.8	0.95	133	374	10.79	3.1	1.00	154	324	9.35	3.1	1.10	181	276	7.97	3.1	1.20	191	261	7.53	3.0	1.25	225	222	6.41	3.0	1.40	247	202	5.82	2.9	1.50	285	175	5.05	2.9	1.65	328	152	4.39	2.8	1.75	GR59 GRF59							GRX69 GRXF69							310	161	9.35	2.8	2.20	364	137	7.97	2.7	2.40	385	130	7.53	2.7	2.50	452	110	6.41	2.6	2.90	498	100	5.82	2.5	3.00	574	87	5.05	2.4	3.30	661	76	4.39	2.3	3.50	GR59 GRF59							GRX59 GRXF59							297	168	4.85	1.8	0.85	332	150	4.34	2.0	0.90	389	128	3.70	2.0	1.00	GR49 GRF49							GR179R109 GRF179R109							231	216	12.54	1.6	1.10	246	203	11.79	1.8	1.15	286	175	10.15	2.1	1.25	320	156	9.07	2.1	1.35	374	133	7.75	1.9	1.40	483	103	6.00	1.9	1.45	514	97	5.64	1.9	1.50	598	83	4.85	1.8	1.70	668	75	4.34	1.8	1.85	784	64	3.70	1.7	2.10	GR49 GRF49							GR179R99 GRF179R99							221	232	6.52	16	4.80	245	209	5.87	16	6.25	GRX139 GRXF139							GR169R99 GRF169R99							217	236	6.63	10	1.90	257	200	5.61	9.5	2.20	277	185	5.19	9.3	3.70	310	165	4.65	9.0	4.10	GRX109 GRXF109							GR149R89 GRF149R89							249	206	5.79	8.0	1.95	293	175	4.91	7.6	2.20	319	161	4.52	7.4	3.60	356	144	4.04	7.2	4.00	396	129	3.64	7.0	4.40	436	117	3.30	6.8	4.90	493	104	2.92	6.5	5.50	545	94	2.64	6.4	6.10	643	80	2.24	6.0	7.20	GRX99 GRXF99							GR149R89 GRF149R89							7.5kW							7.5kW							1.5	43049	959	128	0.9	1.8	35867	799	128	1.0	1.9	34565	770	128	1.1	2.1	31243	696	128	1.2	2.4	26485	590	128	1.4	2.9	22086	492	128	1.7	3.2	20200	450	128	1.8	3.6	18091	403	128	2.0	4.0	16340	364	128	2.2	4.4	14859	331	128	2.5	4.9	13153	293	128	2.8	5.4	11941	266	128	3.1	1.9	34476	768	128	1.1	2.0	31872	710	128	1.1	2.3	27877	621	128	1.3	2.6	25273	563	128	1.4	3.0	21592	481	128	1.7	3.0	21413	477	128	1.7	3.5	18315	408	128	2.0	4.0	15981	356	128	2.3	4.9	13243	295	128	2.8	2.9	22580	503	54	0.80	3.3	19392	432	59	0.95	3.8	16924	377	62	1.10	4.3	15038	335	64	1.20	4.8	13602	303	66	1.30	5.2	12524	279	67	1.45	4.4	14634	326	48	0.90	5.1	12569	280	60	1.05	5.8	11088	247	62	1.20	6.7	9606	214	65	1.40	7.6	8484	189	66	1.60	9.1	7138	159	67	1.80																																																																																																																																		
133	374	10.79	3.1	1.00	154	324	9.35	3.1	1.10	181	276	7.97	3.1	1.20	191	261	7.53	3.0	1.25	225	222	6.41	3.0	1.40	247	202	5.82	2.9	1.50	285	175	5.05	2.9	1.65	328	152	4.39	2.8	1.75	GR59 GRF59							GRX69 GRXF69							310	161	9.35	2.8	2.20	364	137	7.97	2.7	2.40	385	130	7.53	2.7	2.50	452	110	6.41	2.6	2.90	498	100	5.82	2.5	3.00	574	87	5.05	2.4	3.30	661	76	4.39	2.3	3.50	GR59 GRF59							GRX59 GRXF59							297	168	4.85	1.8	0.85	332	150	4.34	2.0	0.90	389	128	3.70	2.0	1.00	GR49 GRF49							GR179R109 GRF179R109							231	216	12.54	1.6	1.10	246	203	11.79	1.8	1.15	286	175	10.15	2.1	1.25	320	156	9.07	2.1	1.35	374	133	7.75	1.9	1.40	483	103	6.00	1.9	1.45	514	97	5.64	1.9	1.50	598	83	4.85	1.8	1.70	668	75	4.34	1.8	1.85	784	64	3.70	1.7	2.10	GR49 GRF49							GR179R99 GRF179R99							221	232	6.52	16	4.80	245	209	5.87	16	6.25	GRX139 GRXF139							GR169R99 GRF169R99							217	236	6.63	10	1.90	257	200	5.61	9.5	2.20	277	185	5.19	9.3	3.70	310	165	4.65	9.0	4.10	GRX109 GRXF109							GR149R89 GRF149R89							249	206	5.79	8.0	1.95	293	175	4.91	7.6	2.20	319	161	4.52	7.4	3.60	356	144	4.04	7.2	4.00	396	129	3.64	7.0	4.40	436	117	3.30	6.8	4.90	493	104	2.92	6.5	5.50	545	94	2.64	6.4	6.10	643	80	2.24	6.0	7.20	GRX99 GRXF99							GR149R89 GRF149R89							7.5kW							7.5kW							1.5	43049	959	128	0.9	1.8	35867	799	128	1.0	1.9	34565	770	128	1.1	2.1	31243	696	128	1.2	2.4	26485	590	128	1.4	2.9	22086	492	128	1.7	3.2	20200	450	128	1.8	3.6	18091	403	128	2.0	4.0	16340	364	128	2.2	4.4	14859	331	128	2.5	4.9	13153	293	128	2.8	5.4	11941	266	128	3.1	1.9	34476	768	128	1.1	2.0	31872	710	128	1.1	2.3	27877	621	128	1.3	2.6	25273	563	128	1.4	3.0	21592	481	128	1.7	3.0	21413	477	128	1.7	3.5	18315	408	128	2.0	4.0	15981	356	128	2.3	4.9	13243	295	128	2.8	2.9	22580	503	54	0.80	3.3	19392	432	59	0.95	3.8	16924	377	62	1.10	4.3	15038	335	64	1.20	4.8	13602	303	66	1.30	5.2	12524	279	67	1.45	4.4	14634	326	48	0.90	5.1	12569	280	60	1.05	5.8	11088	247	62	1.20	6.7	9606	214	65	1.40	7.6	8484	189	66	1.60	9.1	7138	159	67	1.80																																																																																																																																							
154	324	9.35	3.1	1.10	181	276	7.97	3.1	1.20	191	261	7.53	3.0	1.25	225	222	6.41	3.0	1.40	247	202	5.82	2.9	1.50	285	175	5.05	2.9	1.65	328	152	4.39	2.8	1.75	GR59 GRF59							GRX69 GRXF69							310	161	9.35	2.8	2.20	364	137	7.97	2.7	2.40	385	130	7.53	2.7	2.50	452	110	6.41	2.6	2.90	498	100	5.82	2.5	3.00	574	87	5.05	2.4	3.30	661	76	4.39	2.3	3.50	GR59 GRF59							GRX59 GRXF59							297	168	4.85	1.8	0.85	332	150	4.34	2.0	0.90	389	128	3.70	2.0	1.00	GR49 GRF49							GR179R109 GRF179R109							231	216	12.54	1.6	1.10	246	203	11.79	1.8	1.15	286	175	10.15	2.1	1.25	320	156	9.07	2.1	1.35	374	133	7.75	1.9	1.40	483	103	6.00	1.9	1.45	514	97	5.64	1.9	1.50	598	83	4.85	1.8	1.70	668	75	4.34	1.8	1.85	784	64	3.70	1.7	2.10	GR49 GRF49							GR179R99 GRF179R99							221	232	6.52	16	4.80	245	209	5.87	16	6.25	GRX139 GRXF139							GR169R99 GRF169R99							217	236	6.63	10	1.90	257	200	5.61	9.5	2.20	277	185	5.19	9.3	3.70	310	165	4.65	9.0	4.10	GRX109 GRXF109							GR149R89 GRF149R89							249	206	5.79	8.0	1.95	293	175	4.91	7.6	2.20	319	161	4.52	7.4	3.60	356	144	4.04	7.2	4.00	396	129	3.64	7.0	4.40	436	117	3.30	6.8	4.90	493	104	2.92	6.5	5.50	545	94	2.64	6.4	6.10	643	80	2.24	6.0	7.20	GRX99 GRXF99							GR149R89 GRF149R89							7.5kW							7.5kW							1.5	43049	959	128	0.9	1.8	35867	799	128	1.0	1.9	34565	770	128	1.1	2.1	31243	696	128	1.2	2.4	26485	590	128	1.4	2.9	22086	492	128	1.7	3.2	20200	450	128	1.8	3.6	18091	403	128	2.0	4.0	16340	364	128	2.2	4.4	14859	331	128	2.5	4.9	13153	293	128	2.8	5.4	11941	266	128	3.1	1.9	34476	768	128	1.1	2.0	31872	710	128	1.1	2.3	27877	621	128	1.3	2.6	25273	563	128	1.4	3.0	21592	481	128	1.7	3.0	21413	477	128	1.7	3.5	18315	408	128	2.0	4.0	15981	356	128	2.3	4.9	13243	295	128	2.8	2.9	22580	503	54	0.80	3.3	19392	432	59	0.95	3.8	16924	377	62	1.10	4.3	15038	335	64	1.20	4.8	13602	303	66	1.30	5.2	12524	279	67	1.45	4.4	14634	326	48	0.90	5.1	12569	280	60	1.05	5.8	11088	247	62	1.20	6.7	9606	214	65	1.40	7.6	8484	189	66	1.60	9.1	7138	159	67	1.80																																																																																																																																												
181	276	7.97	3.1	1.20	191	261	7.53	3.0	1.25	225	222	6.41	3.0	1.40	247	202	5.82	2.9	1.50	285	175	5.05	2.9	1.65	328	152	4.39	2.8	1.75	GR59 GRF59							GRX69 GRXF69							310	161	9.35	2.8	2.20	364	137	7.97	2.7	2.40	385	130	7.53	2.7	2.50	452	110	6.41	2.6	2.90	498	100	5.82	2.5	3.00	574	87	5.05	2.4	3.30	661	76	4.39	2.3	3.50	GR59 GRF59							GRX59 GRXF59							297	168	4.85	1.8	0.85	332	150	4.34	2.0	0.90	389	128	3.70	2.0	1.00	GR49 GRF49							GR179R109 GRF179R109							231	216	12.54	1.6	1.10	246	203	11.79	1.8	1.15	286	175	10.15	2.1	1.25	320	156	9.07	2.1	1.35	374	133	7.75	1.9	1.40	483	103	6.00	1.9	1.45	514	97	5.64	1.9	1.50	598	83	4.85	1.8	1.70	668	75	4.34	1.8	1.85	784	64	3.70	1.7	2.10	GR49 GRF49							GR179R99 GRF179R99							221	232	6.52	16	4.80	245	209	5.87	16	6.25	GRX139 GRXF139							GR169R99 GRF169R99							217	236	6.63	10	1.90	257	200	5.61	9.5	2.20	277	185	5.19	9.3	3.70	310	165	4.65	9.0	4.10	GRX109 GRXF109							GR149R89 GRF149R89							249	206	5.79	8.0	1.95	293	175	4.91	7.6	2.20	319	161	4.52	7.4	3.60	356	144	4.04	7.2	4.00	396	129	3.64	7.0	4.40	436	117	3.30	6.8	4.90	493	104	2.92	6.5	5.50	545	94	2.64	6.4	6.10	643	80	2.24	6.0	7.20	GRX99 GRXF99							GR149R89 GRF149R89							7.5kW							7.5kW							1.5	43049	959	128	0.9	1.8	35867	799	128	1.0	1.9	34565	770	128	1.1	2.1	31243	696	128	1.2	2.4	26485	590	128	1.4	2.9	22086	492	128	1.7	3.2	20200	450	128	1.8	3.6	18091	403	128	2.0	4.0	16340	364	128	2.2	4.4	14859	331	128	2.5	4.9	13153	293	128	2.8	5.4	11941	266	128	3.1	1.9	34476	768	128	1.1	2.0	31872	710	128	1.1	2.3	27877	621	128	1.3	2.6	25273	563	128	1.4	3.0	21592	481	128	1.7	3.0	21413	477	128	1.7	3.5	18315	408	128	2.0	4.0	15981	356	128	2.3	4.9	13243	295	128	2.8	2.9	22580	503	54	0.80	3.3	19392	432	59	0.95	3.8	16924	377	62	1.10	4.3	15038	335	64	1.20	4.8	13602	303	66	1.30	5.2	12524	279	67	1.45	4.4	14634	326	48	0.90	5.1	12569	280	60	1.05	5.8	11088	247	62	1.20	6.7	9606	214	65	1.40	7.6	8484	189	66	1.60	9.1	7138	159	67	1.80																																																																																																																																																	
191	261	7.53	3.0	1.25	225	222	6.41	3.0	1.40	247	202	5.82	2.9	1.50	285	175	5.05	2.9	1.65	328	152	4.39	2.8	1.75	GR59 GRF59							GRX69 GRXF69							310	161	9.35	2.8	2.20	364	137	7.97	2.7	2.40	385	130	7.53	2.7	2.50	452	110	6.41	2.6	2.90	498	100	5.82	2.5	3.00	574	87	5.05	2.4	3.30	661	76	4.39	2.3	3.50	GR59 GRF59							GRX59 GRXF59							297	168	4.85	1.8	0.85	332	150	4.34	2.0	0.90	389	128	3.70	2.0	1.00	GR49 GRF49							GR179R109 GRF179R109							231	216	12.54	1.6	1.10	246	203	11.79	1.8	1.15	286	175	10.15	2.1	1.25	320	156	9.07	2.1	1.35	374	133	7.75	1.9	1.40	483	103	6.00	1.9	1.45	514	97	5.64	1.9	1.50	598	83	4.85	1.8	1.70	668	75	4.34	1.8	1.85	784	64	3.70	1.7	2.10	GR49 GRF49							GR179R99 GRF179R99							221	232	6.52	16	4.80	245	209	5.87	16	6.25	GRX139 GRXF139							GR169R99 GRF169R99							217	236	6.63	10	1.90	257	200	5.61	9.5	2.20	277	185	5.19	9.3	3.70	310	165	4.65	9.0	4.10	GRX109 GRXF109							GR149R89 GRF149R89							249	206	5.79	8.0	1.95	293	175	4.91	7.6	2.20	319	161	4.52	7.4	3.60	356	144	4.04	7.2	4.00	396	129	3.64	7.0	4.40	436	117	3.30	6.8	4.90	493	104	2.92	6.5	5.50	545	94	2.64	6.4	6.10	643	80	2.24	6.0	7.20	GRX99 GRXF99							GR149R89 GRF149R89							7.5kW							7.5kW							1.5	43049	959	128	0.9	1.8	35867	799	128	1.0	1.9	34565	770	128	1.1	2.1	31243	696	128	1.2	2.4	26485	590	128	1.4	2.9	22086	492	128	1.7	3.2	20200	450	128	1.8	3.6	18091	403	128	2.0	4.0	16340	364	128	2.2	4.4	14859	331	128	2.5	4.9	13153	293	128	2.8	5.4	11941	266	128	3.1	1.9	34476	768	128	1.1	2.0	31872	710	128	1.1	2.3	27877	621	128	1.3	2.6	25273	563	128	1.4	3.0	21592	481	128	1.7	3.0	21413	477	128	1.7	3.5	18315	408	128	2.0	4.0	15981	356	128	2.3	4.9	13243	295	128	2.8	2.9	22580	503	54	0.80	3.3	19392	432	59	0.95	3.8	16924	377	62	1.10	4.3	15038	335	64	1.20	4.8	13602	303	66	1.30	5.2	12524	279	67	1.45	4.4	14634	326	48	0.90	5.1	12569	280	60	1.05	5.8	11088	247	62	1.20	6.7	9606	214	65	1.40	7.6	8484	189	66	1.60	9.1	7138	159	67	1.80																																																																																																																																																						
225	222	6.41	3.0	1.40	247	202	5.82	2.9	1.50	285	175	5.05	2.9	1.65	328	152	4.39	2.8	1.75	GR59 GRF59							GRX69 GRXF69							310	161	9.35	2.8	2.20	364	137	7.97	2.7	2.40	385	130	7.53	2.7	2.50	452	110	6.41	2.6	2.90	498	100	5.82	2.5	3.00	574	87	5.05	2.4	3.30	661	76	4.39	2.3	3.50	GR59 GRF59							GRX59 GRXF59							297	168	4.85	1.8	0.85	332	150	4.34	2.0	0.90	389	128	3.70	2.0	1.00	GR49 GRF49							GR179R109 GRF179R109							231	216	12.54	1.6	1.10	246	203	11.79	1.8	1.15	286	175	10.15	2.1	1.25	320	156	9.07	2.1	1.35	374	133	7.75	1.9	1.40	483	103	6.00	1.9	1.45	514	97	5.64	1.9	1.50	598	83	4.85	1.8	1.70	668	75	4.34	1.8	1.85	784	64	3.70	1.7	2.10	GR49 GRF49							GR179R99 GRF179R99							221	232	6.52	16	4.80	245	209	5.87	16	6.25	GRX139 GRXF139							GR169R99 GRF169R99							217	236	6.63	10	1.90	257	200	5.61	9.5	2.20	277	185	5.19	9.3	3.70	310	165	4.65	9.0	4.10	GRX109 GRXF109							GR149R89 GRF149R89							249	206	5.79	8.0	1.95	293	175	4.91	7.6	2.20	319	161	4.52	7.4	3.60	356	144	4.04	7.2	4.00	396	129	3.64	7.0	4.40	436	117	3.30	6.8	4.90	493	104	2.92	6.5	5.50	545	94	2.64	6.4	6.10	643	80	2.24	6.0	7.20	GRX99 GRXF99							GR149R89 GRF149R89							7.5kW							7.5kW							1.5	43049	959	128	0.9	1.8	35867	799	128	1.0	1.9	34565	770	128	1.1	2.1	31243	696	128	1.2	2.4	26485	590	128	1.4	2.9	22086	492	128	1.7	3.2	20200	450	128	1.8	3.6	18091	403	128	2.0	4.0	16340	364	128	2.2	4.4	14859	331	128	2.5	4.9	13153	293	128	2.8	5.4	11941	266	128	3.1	1.9	34476	768	128	1.1	2.0	31872	710	128	1.1	2.3	27877	621	128	1.3	2.6	25273	563	128	1.4	3.0	21592	481	128	1.7	3.0	21413	477	128	1.7	3.5	18315	408	128	2.0	4.0	15981	356	128	2.3	4.9	13243	295	128	2.8	2.9	22580	503	54	0.80	3.3	19392	432	59	0.95	3.8	16924	377	62	1.10	4.3	15038	335	64	1.20	4.8	13602	303	66	1.30	5.2	12524	279	67	1.45	4.4	14634	326	48	0.90	5.1	12569	280	60	1.05	5.8	11088	247	62	1.20	6.7	9606	214	65	1.40	7.6	8484	189	66	1.60	9.1	7138	159	67	1.80																																																																																																																																																											
247	202	5.82	2.9	1.50	285	175	5.05	2.9	1.65	328	152	4.39	2.8	1.75	GR59 GRF59							GRX69 GRXF69							310	161	9.35	2.8	2.20	364	137	7.97	2.7	2.40	385	130	7.53	2.7	2.50	452	110	6.41	2.6	2.90	498	100	5.82	2.5	3.00	574	87	5.05	2.4	3.30	661	76	4.39	2.3	3.50	GR59 GRF59							GRX59 GRXF59							297	168	4.85	1.8	0.85	332	150	4.34	2.0	0.90	389	128	3.70	2.0	1.00	GR49 GRF49							GR179R109 GRF179R109							231	216	12.54	1.6	1.10	246	203	11.79	1.8	1.15	286	175	10.15	2.1	1.25	320	156	9.07	2.1	1.35	374	133	7.75	1.9	1.40	483	103	6.00	1.9	1.45	514	97	5.64	1.9	1.50	598	83	4.85	1.8	1.70	668	75	4.34	1.8	1.85	784	64	3.70	1.7	2.10	GR49 GRF49							GR179R99 GRF179R99							221	232	6.52	16	4.80	245	209	5.87	16	6.25	GRX139 GRXF139							GR169R99 GRF169R99							217	236	6.63	10	1.90	257	200	5.61	9.5	2.20	277	185	5.19	9.3	3.70	310	165	4.65	9.0	4.10	GRX109 GRXF109							GR149R89 GRF149R89							249	206	5.79	8.0	1.95	293	175	4.91	7.6	2.20	319	161	4.52	7.4	3.60	356	144	4.04	7.2	4.00	396	129	3.64	7.0	4.40	436	117	3.30	6.8	4.90	493	104	2.92	6.5	5.50	545	94	2.64	6.4	6.10	643	80	2.24	6.0	7.20	GRX99 GRXF99							GR149R89 GRF149R89							7.5kW							7.5kW							1.5	43049	959	128	0.9	1.8	35867	799	128	1.0	1.9	34565	770	128	1.1	2.1	31243	696	128	1.2	2.4	26485	590	128	1.4	2.9	22086	492	128	1.7	3.2	20200	450	128	1.8	3.6	18091	403	128	2.0	4.0	16340	364	128	2.2	4.4	14859	331	128	2.5	4.9	13153	293	128	2.8	5.4	11941	266	128	3.1	1.9	34476	768	128	1.1	2.0	31872	710	128	1.1	2.3	27877	621	128	1.3	2.6	25273	563	128	1.4	3.0	21592	481	128	1.7	3.0	21413	477	128	1.7	3.5	18315	408	128	2.0	4.0	15981	356	128	2.3	4.9	13243	295	128	2.8	2.9	22580	503	54	0.80	3.3	19392	432	59	0.95	3.8	16924	377	62	1.10	4.3	15038	335	64	1.20	4.8	13602	303	66	1.30	5.2	12524	279	67	1.45	4.4	14634	326	48	0.90	5.1	12569	280	60	1.05	5.8	11088	247	62	1.20	6.7	9606	214	65	1.40	7.6	8484	189	66	1.60	9.1	7138	159	67	1.80																																																																																																																																																																
285	175	5.05	2.9	1.65	328	152	4.39	2.8	1.75	GR59 GRF59							GRX69 GRXF69							310	161	9.35	2.8	2.20	364	137	7.97	2.7	2.40	385	130	7.53	2.7	2.50	452	110	6.41	2.6	2.90	498	100	5.82	2.5	3.00	574	87	5.05	2.4	3.30	661	76	4.39	2.3	3.50	GR59 GRF59							GRX59 GRXF59							297	168	4.85	1.8	0.85	332	150	4.34	2.0	0.90	389	128	3.70	2.0	1.00	GR49 GRF49							GR179R109 GRF179R109							231	216	12.54	1.6	1.10	246	203	11.79	1.8	1.15	286	175	10.15	2.1	1.25	320	156	9.07	2.1	1.35	374	133	7.75	1.9	1.40	483	103	6.00	1.9	1.45	514	97	5.64	1.9	1.50	598	83	4.85	1.8	1.70	668	75	4.34	1.8	1.85	784	64	3.70	1.7	2.10	GR49 GRF49							GR179R99 GRF179R99							221	232	6.52	16	4.80	245	209	5.87	16	6.25	GRX139 GRXF139							GR169R99 GRF169R99							217	236	6.63	10	1.90	257	200	5.61	9.5	2.20	277	185	5.19	9.3	3.70	310	165	4.65	9.0	4.10	GRX109 GRXF109							GR149R89 GRF149R89							249	206	5.79	8.0	1.95	293	175	4.91	7.6	2.20	319	161	4.52	7.4	3.60	356	144	4.04	7.2	4.00	396	129	3.64	7.0	4.40	436	117	3.30	6.8	4.90	493	104	2.92	6.5	5.50	545	94	2.64	6.4	6.10	643	80	2.24	6.0	7.20	GRX99 GRXF99							GR149R89 GRF149R89							7.5kW							7.5kW							1.5	43049	959	128	0.9	1.8	35867	799	128	1.0	1.9	34565	770	128	1.1	2.1	31243	696	128	1.2	2.4	26485	590	128	1.4	2.9	22086	492	128	1.7	3.2	20200	450	128	1.8	3.6	18091	403	128	2.0	4.0	16340	364	128	2.2	4.4	14859	331	128	2.5	4.9	13153	293	128	2.8	5.4	11941	266	128	3.1	1.9	34476	768	128	1.1	2.0	31872	710	128	1.1	2.3	27877	621	128	1.3	2.6	25273	563	128	1.4	3.0	21592	481	128	1.7	3.0	21413	477	128	1.7	3.5	18315	408	128	2.0	4.0	15981	356	128	2.3	4.9	13243	295	128	2.8	2.9	22580	503	54	0.80	3.3	19392	432	59	0.95	3.8	16924	377	62	1.10	4.3	15038	335	64	1.20	4.8	13602	303	66	1.30	5.2	12524	279	67	1.45	4.4	14634	326	48	0.90	5.1	12569	280	60	1.05	5.8	11088	247	62	1.20	6.7	9606	214	65	1.40	7.6	8484	189	66	1.60	9.1	7138	159	67	1.80																																																																																																																																																																					
328	152	4.39	2.8	1.75	GR59 GRF59							GRX69 GRXF69							310	161	9.35	2.8	2.20	364	137	7.97	2.7	2.40	385	130	7.53	2.7	2.50	452	110	6.41	2.6	2.90	498	100	5.82	2.5	3.00	574	87	5.05	2.4	3.30	661	76	4.39	2.3	3.50	GR59 GRF59							GRX59 GRXF59							297	168	4.85	1.8	0.85	332	150	4.34	2.0	0.90	389	128	3.70	2.0	1.00	GR49 GRF49							GR179R109 GRF179R109							231	216	12.54	1.6	1.10	246	203	11.79	1.8	1.15	286	175	10.15	2.1	1.25	320	156	9.07	2.1	1.35	374	133	7.75	1.9	1.40	483	103	6.00	1.9	1.45	514	97	5.64	1.9	1.50	598	83	4.85	1.8	1.70	668	75	4.34	1.8	1.85	784	64	3.70	1.7	2.10	GR49 GRF49							GR179R99 GRF179R99							221	232	6.52	16	4.80	245	209	5.87	16	6.25	GRX139 GRXF139							GR169R99 GRF169R99							217	236	6.63	10	1.90	257	200	5.61	9.5	2.20	277	185	5.19	9.3	3.70	310	165	4.65	9.0	4.10	GRX109 GRXF109							GR149R89 GRF149R89							249	206	5.79	8.0	1.95	293	175	4.91	7.6	2.20	319	161	4.52	7.4	3.60	356	144	4.04	7.2	4.00	396	129	3.64	7.0	4.40	436	117	3.30	6.8	4.90	493	104	2.92	6.5	5.50	545	94	2.64	6.4	6.10	643	80	2.24	6.0	7.20	GRX99 GRXF99							GR149R89 GRF149R89							7.5kW							7.5kW							1.5	43049	959	128	0.9	1.8	35867	799	128	1.0	1.9	34565	770	128	1.1	2.1	31243	696	128	1.2	2.4	26485	590	128	1.4	2.9	22086	492	128	1.7	3.2	20200	450	128	1.8	3.6	18091	403	128	2.0	4.0	16340	364	128	2.2	4.4	14859	331	128	2.5	4.9	13153	293	128	2.8	5.4	11941	266	128	3.1	1.9	34476	768	128	1.1	2.0	31872	710	128	1.1	2.3	27877	621	128	1.3	2.6	25273	563	128	1.4	3.0	21592	481	128	1.7	3.0	21413	477	128	1.7	3.5	18315	408	128	2.0	4.0	15981	356	128	2.3	4.9	13243	295	128	2.8	2.9	22580	503	54	0.80	3.3	19392	432	59	0.95	3.8	16924	377	62	1.10	4.3	15038	335	64	1.20	4.8	13602	303	66	1.30	5.2	12524	279	67	1.45	4.4	14634	326	48	0.90	5.1	12569	280	60	1.05	5.8	11088	247	62	1.20	6.7	9606	214	65	1.40	7.6	8484	189	66	1.60	9.1	7138	159	67	1.80																																																																																																																																																																										
GR59 GRF59							GRX69 GRXF69																																																																																																																																																																																																																																																																																																																																																																																																																																																																																																																																																																																																																																											
310	161	9.35	2.8	2.20	364	137	7.97	2.7	2.40	385	130	7.53	2.7	2.50	452	110	6.41	2.6	2.90	498	100	5.82	2.5	3.00	574	87	5.05	2.4	3.30	661	76	4.39	2.3	3.50	GR59 GRF59							GRX59 GRXF59							297	168	4.85	1.8	0.85	332	150	4.34	2.0	0.90	389	128	3.70	2.0	1.00	GR49 GRF49							GR179R109 GRF179R109							231	216	12.54	1.6	1.10	246	203	11.79	1.8	1.15	286	175	10.15	2.1	1.25	320	156	9.07	2.1	1.35	374	133	7.75	1.9	1.40	483	103	6.00	1.9	1.45	514	97	5.64	1.9	1.50	598	83	4.85	1.8	1.70	668	75	4.34	1.8	1.85	784	64	3.70	1.7	2.10	GR49 GRF49							GR179R99 GRF179R99							221	232	6.52	16	4.80	245	209	5.87	16	6.25	GRX139 GRXF139							GR169R99 GRF169R99							217	236	6.63	10	1.90	257	200	5.61	9.5	2.20	277	185	5.19	9.3	3.70	310	165	4.65	9.0	4.10	GRX109 GRXF109							GR149R89 GRF149R89							249	206	5.79	8.0	1.95	293	175	4.91	7.6	2.20	319	161	4.52	7.4	3.60	356	144	4.04	7.2	4.00	396	129	3.64	7.0	4.40	436	117	3.30	6.8	4.90	493	104	2.92	6.5	5.50	545	94	2.64	6.4	6.10	643	80	2.24	6.0	7.20	GRX99 GRXF99							GR149R89 GRF149R89							7.5kW							7.5kW							1.5	43049	959	128	0.9	1.8	35867	799	128	1.0	1.9	34565	770	128	1.1	2.1	31243	696	128	1.2	2.4	26485	590	128	1.4	2.9	22086	492	128	1.7	3.2	20200	450	128	1.8	3.6	18091	403	128	2.0	4.0	16340	364	128	2.2	4.4	14859	331	128	2.5	4.9	13153	293	128	2.8	5.4	11941	266	128	3.1	1.9	34476	768	128	1.1	2.0	31872	710	128	1.1	2.3	27877	621	128	1.3	2.6	25273	563	128	1.4	3.0	21592	481	128	1.7	3.0	21413	477	128	1.7	3.5	18315	408	128	2.0	4.0	15981	356	128	2.3	4.9	13243	295	128	2.8	2.9	22580	503	54	0.80	3.3	19392	432	59	0.95	3.8	16924	377	62	1.10	4.3	15038	335	64	1.20	4.8	13602	303	66	1.30	5.2	12524	279	67	1.45	4.4	14634	326	48	0.90	5.1	12569	280	60	1.05	5.8	11088	247	62	1.20	6.7	9606	214	65	1.40	7.6	8484	189	66	1.60	9.1	7138	159	67	1.80																																																																																																																																																																																													
364	137	7.97	2.7	2.40	385	130	7.53	2.7	2.50	452	110	6.41	2.6	2.90	498	100	5.82	2.5	3.00	574	87	5.05	2.4	3.30	661	76	4.39	2.3	3.50	GR59 GRF59							GRX59 GRXF59							297	168	4.85	1.8	0.85	332	150	4.34	2.0	0.90	389	128	3.70	2.0	1.00	GR49 GRF49							GR179R109 GRF179R109							231	216	12.54	1.6	1.10	246	203	11.79	1.8	1.15	286	175	10.15	2.1	1.25	320	156	9.07	2.1	1.35	374	133	7.75	1.9	1.40	483	103	6.00	1.9	1.45	514	97	5.64	1.9	1.50	598	83	4.85	1.8	1.70	668	75	4.34	1.8	1.85	784	64	3.70	1.7	2.10	GR49 GRF49							GR179R99 GRF179R99							221	232	6.52	16	4.80	245	209	5.87	16	6.25	GRX139 GRXF139							GR169R99 GRF169R99							217	236	6.63	10	1.90	257	200	5.61	9.5	2.20	277	185	5.19	9.3	3.70	310	165	4.65	9.0	4.10	GRX109 GRXF109							GR149R89 GRF149R89							249	206	5.79	8.0	1.95	293	175	4.91	7.6	2.20	319	161	4.52	7.4	3.60	356	144	4.04	7.2	4.00	396	129	3.64	7.0	4.40	436	117	3.30	6.8	4.90	493	104	2.92	6.5	5.50	545	94	2.64	6.4	6.10	643	80	2.24	6.0	7.20	GRX99 GRXF99							GR149R89 GRF149R89							7.5kW							7.5kW							1.5	43049	959	128	0.9	1.8	35867	799	128	1.0	1.9	34565	770	128	1.1	2.1	31243	696	128	1.2	2.4	26485	590	128	1.4	2.9	22086	492	128	1.7	3.2	20200	450	128	1.8	3.6	18091	403	128	2.0	4.0	16340	364	128	2.2	4.4	14859	331	128	2.5	4.9	13153	293	128	2.8	5.4	11941	266	128	3.1	1.9	34476	768	128	1.1	2.0	31872	710	128	1.1	2.3	27877	621	128	1.3	2.6	25273	563	128	1.4	3.0	21592	481	128	1.7	3.0	21413	477	128	1.7	3.5	18315	408	128	2.0	4.0	15981	356	128	2.3	4.9	13243	295	128	2.8	2.9	22580	503	54	0.80	3.3	19392	432	59	0.95	3.8	16924	377	62	1.10	4.3	15038	335	64	1.20	4.8	13602	303	66	1.30	5.2	12524	279	67	1.45	4.4	14634	326	48	0.90	5.1	12569	280	60	1.05	5.8	11088	247	62	1.20	6.7	9606	214	65	1.40	7.6	8484	189	66	1.60	9.1	7138	159	67	1.80																																																																																																																																																																																																		
385	130	7.53	2.7	2.50	452	110	6.41	2.6	2.90	498	100	5.82	2.5	3.00	574	87	5.05	2.4	3.30	661	76	4.39	2.3	3.50	GR59 GRF59							GRX59 GRXF59							297	168	4.85	1.8	0.85	332	150	4.34	2.0	0.90	389	128	3.70	2.0	1.00	GR49 GRF49							GR179R109 GRF179R109							231	216	12.54	1.6	1.10	246	203	11.79	1.8	1.15	286	175	10.15	2.1	1.25	320	156	9.07	2.1	1.35	374	133	7.75	1.9	1.40	483	103	6.00	1.9	1.45	514	97	5.64	1.9	1.50	598	83	4.85	1.8	1.70	668	75	4.34	1.8	1.85	784	64	3.70	1.7	2.10	GR49 GRF49							GR179R99 GRF179R99							221	232	6.52	16	4.80	245	209	5.87	16	6.25	GRX139 GRXF139							GR169R99 GRF169R99							217	236	6.63	10	1.90	257	200	5.61	9.5	2.20	277	185	5.19	9.3	3.70	310	165	4.65	9.0	4.10	GRX109 GRXF109							GR149R89 GRF149R89							249	206	5.79	8.0	1.95	293	175	4.91	7.6	2.20	319	161	4.52	7.4	3.60	356	144	4.04	7.2	4.00	396	129	3.64	7.0	4.40	436	117	3.30	6.8	4.90	493	104	2.92	6.5	5.50	545	94	2.64	6.4	6.10	643	80	2.24	6.0	7.20	GRX99 GRXF99							GR149R89 GRF149R89							7.5kW							7.5kW							1.5	43049	959	128	0.9	1.8	35867	799	128	1.0	1.9	34565	770	128	1.1	2.1	31243	696	128	1.2	2.4	26485	590	128	1.4	2.9	22086	492	128	1.7	3.2	20200	450	128	1.8	3.6	18091	403	128	2.0	4.0	16340	364	128	2.2	4.4	14859	331	128	2.5	4.9	13153	293	128	2.8	5.4	11941	266	128	3.1	1.9	34476	768	128	1.1	2.0	31872	710	128	1.1	2.3	27877	621	128	1.3	2.6	25273	563	128	1.4	3.0	21592	481	128	1.7	3.0	21413	477	128	1.7	3.5	18315	408	128	2.0	4.0	15981	356	128	2.3	4.9	13243	295	128	2.8	2.9	22580	503	54	0.80	3.3	19392	432	59	0.95	3.8	16924	377	62	1.10	4.3	15038	335	64	1.20	4.8	13602	303	66	1.30	5.2	12524	279	67	1.45	4.4	14634	326	48	0.90	5.1	12569	280	60	1.05	5.8	11088	247	62	1.20	6.7	9606	214	65	1.40	7.6	8484	189	66	1.60	9.1	7138	159	67	1.80																																																																																																																																																																																																							
452	110	6.41	2.6	2.90	498	100	5.82	2.5	3.00	574	87	5.05	2.4	3.30	661	76	4.39	2.3	3.50	GR59 GRF59							GRX59 GRXF59							297	168	4.85	1.8	0.85	332	150	4.34	2.0	0.90	389	128	3.70	2.0	1.00	GR49 GRF49							GR179R109 GRF179R109							231	216	12.54	1.6	1.10	246	203	11.79	1.8	1.15	286	175	10.15	2.1	1.25	320	156	9.07	2.1	1.35	374	133	7.75	1.9	1.40	483	103	6.00	1.9	1.45	514	97	5.64	1.9	1.50	598	83	4.85	1.8	1.70	668	75	4.34	1.8	1.85	784	64	3.70	1.7	2.10	GR49 GRF49							GR179R99 GRF179R99							221	232	6.52	16	4.80	245	209	5.87	16	6.25	GRX139 GRXF139							GR169R99 GRF169R99							217	236	6.63	10	1.90	257	200	5.61	9.5	2.20	277	185	5.19	9.3	3.70	310	165	4.65	9.0	4.10	GRX109 GRXF109							GR149R89 GRF149R89							249	206	5.79	8.0	1.95	293	175	4.91	7.6	2.20	319	161	4.52	7.4	3.60	356	144	4.04	7.2	4.00	396	129	3.64	7.0	4.40	436	117	3.30	6.8	4.90	493	104	2.92	6.5	5.50	545	94	2.64	6.4	6.10	643	80	2.24	6.0	7.20	GRX99 GRXF99							GR149R89 GRF149R89							7.5kW							7.5kW							1.5	43049	959	128	0.9	1.8	35867	799	128	1.0	1.9	34565	770	128	1.1	2.1	31243	696	128	1.2	2.4	26485	590	128	1.4	2.9	22086	492	128	1.7	3.2	20200	450	128	1.8	3.6	18091	403	128	2.0	4.0	16340	364	128	2.2	4.4	14859	331	128	2.5	4.9	13153	293	128	2.8	5.4	11941	266	128	3.1	1.9	34476	768	128	1.1	2.0	31872	710	128	1.1	2.3	27877	621	128	1.3	2.6	25273	563	128	1.4	3.0	21592	481	128	1.7	3.0	21413	477	128	1.7	3.5	18315	408	128	2.0	4.0	15981	356	128	2.3	4.9	13243	295	128	2.8	2.9	22580	503	54	0.80	3.3	19392	432	59	0.95	3.8	16924	377	62	1.10	4.3	15038	335	64	1.20	4.8	13602	303	66	1.30	5.2	12524	279	67	1.45	4.4	14634	326	48	0.90	5.1	12569	280	60	1.05	5.8	11088	247	62	1.20	6.7	9606	214	65	1.40	7.6	8484	189	66	1.60	9.1	7138	159	67	1.80																																																																																																																																																																																																												
498	100	5.82	2.5	3.00	574	87	5.05	2.4	3.30	661	76	4.39	2.3	3.50	GR59 GRF59							GRX59 GRXF59							297	168	4.85	1.8	0.85	332	150	4.34	2.0	0.90	389	128	3.70	2.0	1.00	GR49 GRF49							GR179R109 GRF179R109							231	216	12.54	1.6	1.10	246	203	11.79	1.8	1.15	286	175	10.15	2.1	1.25	320	156	9.07	2.1	1.35	374	133	7.75	1.9	1.40	483	103	6.00	1.9	1.45	514	97	5.64	1.9	1.50	598	83	4.85	1.8	1.70	668	75	4.34	1.8	1.85	784	64	3.70	1.7	2.10	GR49 GRF49							GR179R99 GRF179R99							221	232	6.52	16	4.80	245	209	5.87	16	6.25	GRX139 GRXF139							GR169R99 GRF169R99							217	236	6.63	10	1.90	257	200	5.61	9.5	2.20	277	185	5.19	9.3	3.70	310	165	4.65	9.0	4.10	GRX109 GRXF109							GR149R89 GRF149R89							249	206	5.79	8.0	1.95	293	175	4.91	7.6	2.20	319	161	4.52	7.4	3.60	356	144	4.04	7.2	4.00	396	129	3.64	7.0	4.40	436	117	3.30	6.8	4.90	493	104	2.92	6.5	5.50	545	94	2.64	6.4	6.10	643	80	2.24	6.0	7.20	GRX99 GRXF99							GR149R89 GRF149R89							7.5kW							7.5kW							1.5	43049	959	128	0.9	1.8	35867	799	128	1.0	1.9	34565	770	128	1.1	2.1	31243	696	128	1.2	2.4	26485	590	128	1.4	2.9	22086	492	128	1.7	3.2	20200	450	128	1.8	3.6	18091	403	128	2.0	4.0	16340	364	128	2.2	4.4	14859	331	128	2.5	4.9	13153	293	128	2.8	5.4	11941	266	128	3.1	1.9	34476	768	128	1.1	2.0	31872	710	128	1.1	2.3	27877	621	128	1.3	2.6	25273	563	128	1.4	3.0	21592	481	128	1.7	3.0	21413	477	128	1.7	3.5	18315	408	128	2.0	4.0	15981	356	128	2.3	4.9	13243	295	128	2.8	2.9	22580	503	54	0.80	3.3	19392	432	59	0.95	3.8	16924	377	62	1.10	4.3	15038	335	64	1.20	4.8	13602	303	66	1.30	5.2	12524	279	67	1.45	4.4	14634	326	48	0.90	5.1	12569	280	60	1.05	5.8	11088	247	62	1.20	6.7	9606	214	65	1.40	7.6	8484	189	66	1.60	9.1	7138	159	67	1.80																																																																																																																																																																																																																	
574	87	5.05	2.4	3.30	661	76	4.39	2.3	3.50	GR59 GRF59							GRX59 GRXF59							297	168	4.85	1.8	0.85	332	150	4.34	2.0	0.90	389	128	3.70	2.0	1.00	GR49 GRF49							GR179R109 GRF179R109							231	216	12.54	1.6	1.10	246	203	11.79	1.8	1.15	286	175	10.15	2.1	1.25	320	156	9.07	2.1	1.35	374	133	7.75	1.9	1.40	483	103	6.00	1.9	1.45	514	97	5.64	1.9	1.50	598	83	4.85	1.8	1.70	668	75	4.34	1.8	1.85	784	64	3.70	1.7	2.10	GR49 GRF49							GR179R99 GRF179R99							221	232	6.52	16	4.80	245	209	5.87	16	6.25	GRX139 GRXF139							GR169R99 GRF169R99							217	236	6.63	10	1.90	257	200	5.61	9.5	2.20	277	185	5.19	9.3	3.70	310	165	4.65	9.0	4.10	GRX109 GRXF109							GR149R89 GRF149R89							249	206	5.79	8.0	1.95	293	175	4.91	7.6	2.20	319	161	4.52	7.4	3.60	356	144	4.04	7.2	4.00	396	129	3.64	7.0	4.40	436	117	3.30	6.8	4.90	493	104	2.92	6.5	5.50	545	94	2.64	6.4	6.10	643	80	2.24	6.0	7.20	GRX99 GRXF99							GR149R89 GRF149R89							7.5kW							7.5kW							1.5	43049	959	128	0.9	1.8	35867	799	128	1.0	1.9	34565	770	128	1.1	2.1	31243	696	128	1.2	2.4	26485	590	128	1.4	2.9	22086	492	128	1.7	3.2	20200	450	128	1.8	3.6	18091	403	128	2.0	4.0	16340	364	128	2.2	4.4	14859	331	128	2.5	4.9	13153	293	128	2.8	5.4	11941	266	128	3.1	1.9	34476	768	128	1.1	2.0	31872	710	128	1.1	2.3	27877	621	128	1.3	2.6	25273	563	128	1.4	3.0	21592	481	128	1.7	3.0	21413	477	128	1.7	3.5	18315	408	128	2.0	4.0	15981	356	128	2.3	4.9	13243	295	128	2.8	2.9	22580	503	54	0.80	3.3	19392	432	59	0.95	3.8	16924	377	62	1.10	4.3	15038	335	64	1.20	4.8	13602	303	66	1.30	5.2	12524	279	67	1.45	4.4	14634	326	48	0.90	5.1	12569	280	60	1.05	5.8	11088	247	62	1.20	6.7	9606	214	65	1.40	7.6	8484	189	66	1.60	9.1	7138	159	67	1.80																																																																																																																																																																																																																						
661	76	4.39	2.3	3.50	GR59 GRF59							GRX59 GRXF59							297	168	4.85	1.8	0.85	332	150	4.34	2.0	0.90	389	128	3.70	2.0	1.00	GR49 GRF49							GR179R109 GRF179R109							231	216	12.54	1.6	1.10	246	203	11.79	1.8	1.15	286	175	10.15	2.1	1.25	320	156	9.07	2.1	1.35	374	133	7.75	1.9	1.40	483	103	6.00	1.9	1.45	514	97	5.64	1.9	1.50	598	83	4.85	1.8	1.70	668	75	4.34	1.8	1.85	784	64	3.70	1.7	2.10	GR49 GRF49							GR179R99 GRF179R99							221	232	6.52	16	4.80	245	209	5.87	16	6.25	GRX139 GRXF139							GR169R99 GRF169R99							217	236	6.63	10	1.90	257	200	5.61	9.5	2.20	277	185	5.19	9.3	3.70	310	165	4.65	9.0	4.10	GRX109 GRXF109							GR149R89 GRF149R89							249	206	5.79	8.0	1.95	293	175	4.91	7.6	2.20	319	161	4.52	7.4	3.60	356	144	4.04	7.2	4.00	396	129	3.64	7.0	4.40	436	117	3.30	6.8	4.90	493	104	2.92	6.5	5.50	545	94	2.64	6.4	6.10	643	80	2.24	6.0	7.20	GRX99 GRXF99							GR149R89 GRF149R89							7.5kW							7.5kW							1.5	43049	959	128	0.9	1.8	35867	799	128	1.0	1.9	34565	770	128	1.1	2.1	31243	696	128	1.2	2.4	26485	590	128	1.4	2.9	22086	492	128	1.7	3.2	20200	450	128	1.8	3.6	18091	403	128	2.0	4.0	16340	364	128	2.2	4.4	14859	331	128	2.5	4.9	13153	293	128	2.8	5.4	11941	266	128	3.1	1.9	34476	768	128	1.1	2.0	31872	710	128	1.1	2.3	27877	621	128	1.3	2.6	25273	563	128	1.4	3.0	21592	481	128	1.7	3.0	21413	477	128	1.7	3.5	18315	408	128	2.0	4.0	15981	356	128	2.3	4.9	13243	295	128	2.8	2.9	22580	503	54	0.80	3.3	19392	432	59	0.95	3.8	16924	377	62	1.10	4.3	15038	335	64	1.20	4.8	13602	303	66	1.30	5.2	12524	279	67	1.45	4.4	14634	326	48	0.90	5.1	12569	280	60	1.05	5.8	11088	247	62	1.20	6.7	9606	214	65	1.40	7.6	8484	189	66	1.60	9.1	7138	159	67	1.80																																																																																																																																																																																																																											
GR59 GRF59							GRX59 GRXF59																																																																																																																																																																																																																																																																																																																																																																																																																																																																																																																																																																																																																																											
297	168	4.85	1.8	0.85	332	150	4.34	2.0	0.90	389	128	3.70	2.0	1.00	GR49 GRF49							GR179R109 GRF179R109							231	216	12.54	1.6	1.10	246	203	11.79	1.8	1.15	286	175	10.15	2.1	1.25	320	156	9.07	2.1	1.35	374	133	7.75	1.9	1.40	483	103	6.00	1.9	1.45	514	97	5.64	1.9	1.50	598	83	4.85	1.8	1.70	668	75	4.34	1.8	1.85	784	64	3.70	1.7	2.10	GR49 GRF49							GR179R99 GRF179R99							221	232	6.52	16	4.80	245	209	5.87	16	6.25	GRX139 GRXF139							GR169R99 GRF169R99							217	236	6.63	10	1.90	257	200	5.61	9.5	2.20	277	185	5.19	9.3	3.70	310	165	4.65	9.0	4.10	GRX109 GRXF109							GR149R89 GRF149R89							249	206	5.79	8.0	1.95	293	175	4.91	7.6	2.20	319	161	4.52	7.4	3.60	356	144	4.04	7.2	4.00	396	129	3.64	7.0	4.40	436	117	3.30	6.8	4.90	493	104	2.92	6.5	5.50	545	94	2.64	6.4	6.10	643	80	2.24	6.0	7.20	GRX99 GRXF99							GR149R89 GRF149R89							7.5kW							7.5kW							1.5	43049	959	128	0.9	1.8	35867	799	128	1.0	1.9	34565	770	128	1.1	2.1	31243	696	128	1.2	2.4	26485	590	128	1.4	2.9	22086	492	128	1.7	3.2	20200	450	128	1.8	3.6	18091	403	128	2.0	4.0	16340	364	128	2.2	4.4	14859	331	128	2.5	4.9	13153	293	128	2.8	5.4	11941	266	128	3.1	1.9	34476	768	128	1.1	2.0	31872	710	128	1.1	2.3	27877	621	128	1.3	2.6	25273	563	128	1.4	3.0	21592	481	128	1.7	3.0	21413	477	128	1.7	3.5	18315	408	128	2.0	4.0	15981	356	128	2.3	4.9	13243	295	128	2.8	2.9	22580	503	54	0.80	3.3	19392	432	59	0.95	3.8	16924	377	62	1.10	4.3	15038	335	64	1.20	4.8	13602	303	66	1.30	5.2	12524	279	67	1.45	4.4	14634	326	48	0.90	5.1	12569	280	60	1.05	5.8	11088	247	62	1.20	6.7	9606	214	65	1.40	7.6	8484	189	66	1.60	9.1	7138	159	67	1.80																																																																																																																																																																																																																																														
332	150	4.34	2.0	0.90	389	128	3.70	2.0	1.00	GR49 GRF49							GR179R109 GRF179R109							231	216	12.54	1.6	1.10	246	203	11.79	1.8	1.15	286	175	10.15	2.1	1.25	320	156	9.07	2.1	1.35	374	133	7.75	1.9	1.40	483	103	6.00	1.9	1.45	514	97	5.64	1.9	1.50	598	83	4.85	1.8	1.70	668	75	4.34	1.8	1.85	784	64	3.70	1.7	2.10	GR49 GRF49							GR179R99 GRF179R99							221	232	6.52	16	4.80	245	209	5.87	16	6.25	GRX139 GRXF139							GR169R99 GRF169R99							217	236	6.63	10	1.90	257	200	5.61	9.5	2.20	277	185	5.19	9.3	3.70	310	165	4.65	9.0	4.10	GRX109 GRXF109							GR149R89 GRF149R89							249	206	5.79	8.0	1.95	293	175	4.91	7.6	2.20	319	161	4.52	7.4	3.60	356	144	4.04	7.2	4.00	396	129	3.64	7.0	4.40	436	117	3.30	6.8	4.90	493	104	2.92	6.5	5.50	545	94	2.64	6.4	6.10	643	80	2.24	6.0	7.20	GRX99 GRXF99							GR149R89 GRF149R89							7.5kW							7.5kW							1.5	43049	959	128	0.9	1.8	35867	799	128	1.0	1.9	34565	770	128	1.1	2.1	31243	696	128	1.2	2.4	26485	590	128	1.4	2.9	22086	492	128	1.7	3.2	20200	450	128	1.8	3.6	18091	403	128	2.0	4.0	16340	364	128	2.2	4.4	14859	331	128	2.5	4.9	13153	293	128	2.8	5.4	11941	266	128	3.1	1.9	34476	768	128	1.1	2.0	31872	710	128	1.1	2.3	27877	621	128	1.3	2.6	25273	563	128	1.4	3.0	21592	481	128	1.7	3.0	21413	477	128	1.7	3.5	18315	408	128	2.0	4.0	15981	356	128	2.3	4.9	13243	295	128	2.8	2.9	22580	503	54	0.80	3.3	19392	432	59	0.95	3.8	16924	377	62	1.10	4.3	15038	335	64	1.20	4.8	13602	303	66	1.30	5.2	12524	279	67	1.45	4.4	14634	326	48	0.90	5.1	12569	280	60	1.05	5.8	11088	247	62	1.20	6.7	9606	214	65	1.40	7.6	8484	189	66	1.60	9.1	7138	159	67	1.80																																																																																																																																																																																																																																																			
389	128	3.70	2.0	1.00	GR49 GRF49							GR179R109 GRF179R109							231	216	12.54	1.6	1.10	246	203	11.79	1.8	1.15	286	175	10.15	2.1	1.25	320	156	9.07	2.1	1.35	374	133	7.75	1.9	1.40	483	103	6.00	1.9	1.45	514	97	5.64	1.9	1.50	598	83	4.85	1.8	1.70	668	75	4.34	1.8	1.85	784	64	3.70	1.7	2.10	GR49 GRF49							GR179R99 GRF179R99							221	232	6.52	16	4.80	245	209	5.87	16	6.25	GRX139 GRXF139							GR169R99 GRF169R99							217	236	6.63	10	1.90	257	200	5.61	9.5	2.20	277	185	5.19	9.3	3.70	310	165	4.65	9.0	4.10	GRX109 GRXF109							GR149R89 GRF149R89							249	206	5.79	8.0	1.95	293	175	4.91	7.6	2.20	319	161	4.52	7.4	3.60	356	144	4.04	7.2	4.00	396	129	3.64	7.0	4.40	436	117	3.30	6.8	4.90	493	104	2.92	6.5	5.50	545	94	2.64	6.4	6.10	643	80	2.24	6.0	7.20	GRX99 GRXF99							GR149R89 GRF149R89							7.5kW							7.5kW							1.5	43049	959	128	0.9	1.8	35867	799	128	1.0	1.9	34565	770	128	1.1	2.1	31243	696	128	1.2	2.4	26485	590	128	1.4	2.9	22086	492	128	1.7	3.2	20200	450	128	1.8	3.6	18091	403	128	2.0	4.0	16340	364	128	2.2	4.4	14859	331	128	2.5	4.9	13153	293	128	2.8	5.4	11941	266	128	3.1	1.9	34476	768	128	1.1	2.0	31872	710	128	1.1	2.3	27877	621	128	1.3	2.6	25273	563	128	1.4	3.0	21592	481	128	1.7	3.0	21413	477	128	1.7	3.5	18315	408	128	2.0	4.0	15981	356	128	2.3	4.9	13243	295	128	2.8	2.9	22580	503	54	0.80	3.3	19392	432	59	0.95	3.8	16924	377	62	1.10	4.3	15038	335	64	1.20	4.8	13602	303	66	1.30	5.2	12524	279	67	1.45	4.4	14634	326	48	0.90	5.1	12569	280	60	1.05	5.8	11088	247	62	1.20	6.7	9606	214	65	1.40	7.6	8484	189	66	1.60	9.1	7138	159	67	1.80																																																																																																																																																																																																																																																								
GR49 GRF49							GR179R109 GRF179R109																																																																																																																																																																																																																																																																																																																																																																																																																																																																																																																																																																																																																																											
231	216	12.54	1.6	1.10	246	203	11.79	1.8	1.15	286	175	10.15	2.1	1.25	320	156	9.07	2.1	1.35	374	133	7.75	1.9	1.40	483	103	6.00	1.9	1.45	514	97	5.64	1.9	1.50	598	83	4.85	1.8	1.70	668	75	4.34	1.8	1.85	784	64	3.70	1.7	2.10	GR49 GRF49							GR179R99 GRF179R99							221	232	6.52	16	4.80	245	209	5.87	16	6.25	GRX139 GRXF139							GR169R99 GRF169R99							217	236	6.63	10	1.90	257	200	5.61	9.5	2.20	277	185	5.19	9.3	3.70	310	165	4.65	9.0	4.10	GRX109 GRXF109							GR149R89 GRF149R89							249	206	5.79	8.0	1.95	293	175	4.91	7.6	2.20	319	161	4.52	7.4	3.60	356	144	4.04	7.2	4.00	396	129	3.64	7.0	4.40	436	117	3.30	6.8	4.90	493	104	2.92	6.5	5.50	545	94	2.64	6.4	6.10	643	80	2.24	6.0	7.20	GRX99 GRXF99							GR149R89 GRF149R89							7.5kW							7.5kW							1.5	43049	959	128	0.9	1.8	35867	799	128	1.0	1.9	34565	770	128	1.1	2.1	31243	696	128	1.2	2.4	26485	590	128	1.4	2.9	22086	492	128	1.7	3.2	20200	450	128	1.8	3.6	18091	403	128	2.0	4.0	16340	364	128	2.2	4.4	14859	331	128	2.5	4.9	13153	293	128	2.8	5.4	11941	266	128	3.1	1.9	34476	768	128	1.1	2.0	31872	710	128	1.1	2.3	27877	621	128	1.3	2.6	25273	563	128	1.4	3.0	21592	481	128	1.7	3.0	21413	477	128	1.7	3.5	18315	408	128	2.0	4.0	15981	356	128	2.3	4.9	13243	295	128	2.8	2.9	22580	503	54	0.80	3.3	19392	432	59	0.95	3.8	16924	377	62	1.10	4.3	15038	335	64	1.20	4.8	13602	303	66	1.30	5.2	12524	279	67	1.45	4.4	14634	326	48	0.90	5.1	12569	280	60	1.05	5.8	11088	247	62	1.20	6.7	9606	214	65	1.40	7.6	8484	189	66	1.60	9.1	7138	159	67	1.80																																																																																																																																																																																																																																																																											
246	203	11.79	1.8	1.15	286	175	10.15	2.1	1.25	320	156	9.07	2.1	1.35	374	133	7.75	1.9	1.40	483	103	6.00	1.9	1.45	514	97	5.64	1.9	1.50	598	83	4.85	1.8	1.70	668	75	4.34	1.8	1.85	784	64	3.70	1.7	2.10	GR49 GRF49							GR179R99 GRF179R99							221	232	6.52	16	4.80	245	209	5.87	16	6.25	GRX139 GRXF139							GR169R99 GRF169R99							217	236	6.63	10	1.90	257	200	5.61	9.5	2.20	277	185	5.19	9.3	3.70	310	165	4.65	9.0	4.10	GRX109 GRXF109							GR149R89 GRF149R89							249	206	5.79	8.0	1.95	293	175	4.91	7.6	2.20	319	161	4.52	7.4	3.60	356	144	4.04	7.2	4.00	396	129	3.64	7.0	4.40	436	117	3.30	6.8	4.90	493	104	2.92	6.5	5.50	545	94	2.64	6.4	6.10	643	80	2.24	6.0	7.20	GRX99 GRXF99							GR149R89 GRF149R89							7.5kW							7.5kW							1.5	43049	959	128	0.9	1.8	35867	799	128	1.0	1.9	34565	770	128	1.1	2.1	31243	696	128	1.2	2.4	26485	590	128	1.4	2.9	22086	492	128	1.7	3.2	20200	450	128	1.8	3.6	18091	403	128	2.0	4.0	16340	364	128	2.2	4.4	14859	331	128	2.5	4.9	13153	293	128	2.8	5.4	11941	266	128	3.1	1.9	34476	768	128	1.1	2.0	31872	710	128	1.1	2.3	27877	621	128	1.3	2.6	25273	563	128	1.4	3.0	21592	481	128	1.7	3.0	21413	477	128	1.7	3.5	18315	408	128	2.0	4.0	15981	356	128	2.3	4.9	13243	295	128	2.8	2.9	22580	503	54	0.80	3.3	19392	432	59	0.95	3.8	16924	377	62	1.10	4.3	15038	335	64	1.20	4.8	13602	303	66	1.30	5.2	12524	279	67	1.45	4.4	14634	326	48	0.90	5.1	12569	280	60	1.05	5.8	11088	247	62	1.20	6.7	9606	214	65	1.40	7.6	8484	189	66	1.60	9.1	7138	159	67	1.80																																																																																																																																																																																																																																																																																
286	175	10.15	2.1	1.25	320	156	9.07	2.1	1.35	374	133	7.75	1.9	1.40	483	103	6.00	1.9	1.45	514	97	5.64	1.9	1.50	598	83	4.85	1.8	1.70	668	75	4.34	1.8	1.85	784	64	3.70	1.7	2.10	GR49 GRF49							GR179R99 GRF179R99							221	232	6.52	16	4.80	245	209	5.87	16	6.25	GRX139 GRXF139							GR169R99 GRF169R99							217	236	6.63	10	1.90	257	200	5.61	9.5	2.20	277	185	5.19	9.3	3.70	310	165	4.65	9.0	4.10	GRX109 GRXF109							GR149R89 GRF149R89							249	206	5.79	8.0	1.95	293	175	4.91	7.6	2.20	319	161	4.52	7.4	3.60	356	144	4.04	7.2	4.00	396	129	3.64	7.0	4.40	436	117	3.30	6.8	4.90	493	104	2.92	6.5	5.50	545	94	2.64	6.4	6.10	643	80	2.24	6.0	7.20	GRX99 GRXF99							GR149R89 GRF149R89							7.5kW							7.5kW							1.5	43049	959	128	0.9	1.8	35867	799	128	1.0	1.9	34565	770	128	1.1	2.1	31243	696	128	1.2	2.4	26485	590	128	1.4	2.9	22086	492	128	1.7	3.2	20200	450	128	1.8	3.6	18091	403	128	2.0	4.0	16340	364	128	2.2	4.4	14859	331	128	2.5	4.9	13153	293	128	2.8	5.4	11941	266	128	3.1	1.9	34476	768	128	1.1	2.0	31872	710	128	1.1	2.3	27877	621	128	1.3	2.6	25273	563	128	1.4	3.0	21592	481	128	1.7	3.0	21413	477	128	1.7	3.5	18315	408	128	2.0	4.0	15981	356	128	2.3	4.9	13243	295	128	2.8	2.9	22580	503	54	0.80	3.3	19392	432	59	0.95	3.8	16924	377	62	1.10	4.3	15038	335	64	1.20	4.8	13602	303	66	1.30	5.2	12524	279	67	1.45	4.4	14634	326	48	0.90	5.1	12569	280	60	1.05	5.8	11088	247	62	1.20	6.7	9606	214	65	1.40	7.6	8484	189	66	1.60	9.1	7138	159	67	1.80																																																																																																																																																																																																																																																																																					
320	156	9.07	2.1	1.35	374	133	7.75	1.9	1.40	483	103	6.00	1.9	1.45	514	97	5.64	1.9	1.50	598	83	4.85	1.8	1.70	668	75	4.34	1.8	1.85	784	64	3.70	1.7	2.10	GR49 GRF49							GR179R99 GRF179R99							221	232	6.52	16	4.80	245	209	5.87	16	6.25	GRX139 GRXF139							GR169R99 GRF169R99							217	236	6.63	10	1.90	257	200	5.61	9.5	2.20	277	185	5.19	9.3	3.70	310	165	4.65	9.0	4.10	GRX109 GRXF109							GR149R89 GRF149R89							249	206	5.79	8.0	1.95	293	175	4.91	7.6	2.20	319	161	4.52	7.4	3.60	356	144	4.04	7.2	4.00	396	129	3.64	7.0	4.40	436	117	3.30	6.8	4.90	493	104	2.92	6.5	5.50	545	94	2.64	6.4	6.10	643	80	2.24	6.0	7.20	GRX99 GRXF99							GR149R89 GRF149R89							7.5kW							7.5kW							1.5	43049	959	128	0.9	1.8	35867	799	128	1.0	1.9	34565	770	128	1.1	2.1	31243	696	128	1.2	2.4	26485	590	128	1.4	2.9	22086	492	128	1.7	3.2	20200	450	128	1.8	3.6	18091	403	128	2.0	4.0	16340	364	128	2.2	4.4	14859	331	128	2.5	4.9	13153	293	128	2.8	5.4	11941	266	128	3.1	1.9	34476	768	128	1.1	2.0	31872	710	128	1.1	2.3	27877	621	128	1.3	2.6	25273	563	128	1.4	3.0	21592	481	128	1.7	3.0	21413	477	128	1.7	3.5	18315	408	128	2.0	4.0	15981	356	128	2.3	4.9	13243	295	128	2.8	2.9	22580	503	54	0.80	3.3	19392	432	59	0.95	3.8	16924	377	62	1.10	4.3	15038	335	64	1.20	4.8	13602	303	66	1.30	5.2	12524	279	67	1.45	4.4	14634	326	48	0.90	5.1	12569	280	60	1.05	5.8	11088	247	62	1.20	6.7	9606	214	65	1.40	7.6	8484	189	66	1.60	9.1	7138	159	67	1.80																																																																																																																																																																																																																																																																																										
374	133	7.75	1.9	1.40	483	103	6.00	1.9	1.45	514	97	5.64	1.9	1.50	598	83	4.85	1.8	1.70	668	75	4.34	1.8	1.85	784	64	3.70	1.7	2.10	GR49 GRF49							GR179R99 GRF179R99							221	232	6.52	16	4.80	245	209	5.87	16	6.25	GRX139 GRXF139							GR169R99 GRF169R99							217	236	6.63	10	1.90	257	200	5.61	9.5	2.20	277	185	5.19	9.3	3.70	310	165	4.65	9.0	4.10	GRX109 GRXF109							GR149R89 GRF149R89							249	206	5.79	8.0	1.95	293	175	4.91	7.6	2.20	319	161	4.52	7.4	3.60	356	144	4.04	7.2	4.00	396	129	3.64	7.0	4.40	436	117	3.30	6.8	4.90	493	104	2.92	6.5	5.50	545	94	2.64	6.4	6.10	643	80	2.24	6.0	7.20	GRX99 GRXF99							GR149R89 GRF149R89							7.5kW							7.5kW							1.5	43049	959	128	0.9	1.8	35867	799	128	1.0	1.9	34565	770	128	1.1	2.1	31243	696	128	1.2	2.4	26485	590	128	1.4	2.9	22086	492	128	1.7	3.2	20200	450	128	1.8	3.6	18091	403	128	2.0	4.0	16340	364	128	2.2	4.4	14859	331	128	2.5	4.9	13153	293	128	2.8	5.4	11941	266	128	3.1	1.9	34476	768	128	1.1	2.0	31872	710	128	1.1	2.3	27877	621	128	1.3	2.6	25273	563	128	1.4	3.0	21592	481	128	1.7	3.0	21413	477	128	1.7	3.5	18315	408	128	2.0	4.0	15981	356	128	2.3	4.9	13243	295	128	2.8	2.9	22580	503	54	0.80	3.3	19392	432	59	0.95	3.8	16924	377	62	1.10	4.3	15038	335	64	1.20	4.8	13602	303	66	1.30	5.2	12524	279	67	1.45	4.4	14634	326	48	0.90	5.1	12569	280	60	1.05	5.8	11088	247	62	1.20	6.7	9606	214	65	1.40	7.6	8484	189	66	1.60	9.1	7138	159	67	1.80																																																																																																																																																																																																																																																																																															
483	103	6.00	1.9	1.45	514	97	5.64	1.9	1.50	598	83	4.85	1.8	1.70	668	75	4.34	1.8	1.85	784	64	3.70	1.7	2.10	GR49 GRF49							GR179R99 GRF179R99							221	232	6.52	16	4.80	245	209	5.87	16	6.25	GRX139 GRXF139							GR169R99 GRF169R99							217	236	6.63	10	1.90	257	200	5.61	9.5	2.20	277	185	5.19	9.3	3.70	310	165	4.65	9.0	4.10	GRX109 GRXF109							GR149R89 GRF149R89							249	206	5.79	8.0	1.95	293	175	4.91	7.6	2.20	319	161	4.52	7.4	3.60	356	144	4.04	7.2	4.00	396	129	3.64	7.0	4.40	436	117	3.30	6.8	4.90	493	104	2.92	6.5	5.50	545	94	2.64	6.4	6.10	643	80	2.24	6.0	7.20	GRX99 GRXF99							GR149R89 GRF149R89							7.5kW							7.5kW							1.5	43049	959	128	0.9	1.8	35867	799	128	1.0	1.9	34565	770	128	1.1	2.1	31243	696	128	1.2	2.4	26485	590	128	1.4	2.9	22086	492	128	1.7	3.2	20200	450	128	1.8	3.6	18091	403	128	2.0	4.0	16340	364	128	2.2	4.4	14859	331	128	2.5	4.9	13153	293	128	2.8	5.4	11941	266	128	3.1	1.9	34476	768	128	1.1	2.0	31872	710	128	1.1	2.3	27877	621	128	1.3	2.6	25273	563	128	1.4	3.0	21592	481	128	1.7	3.0	21413	477	128	1.7	3.5	18315	408	128	2.0	4.0	15981	356	128	2.3	4.9	13243	295	128	2.8	2.9	22580	503	54	0.80	3.3	19392	432	59	0.95	3.8	16924	377	62	1.10	4.3	15038	335	64	1.20	4.8	13602	303	66	1.30	5.2	12524	279	67	1.45	4.4	14634	326	48	0.90	5.1	12569	280	60	1.05	5.8	11088	247	62	1.20	6.7	9606	214	65	1.40	7.6	8484	189	66	1.60	9.1	7138	159	67	1.80																																																																																																																																																																																																																																																																																																				
514	97	5.64	1.9	1.50	598	83	4.85	1.8	1.70	668	75	4.34	1.8	1.85	784	64	3.70	1.7	2.10	GR49 GRF49							GR179R99 GRF179R99							221	232	6.52	16	4.80	245	209	5.87	16	6.25	GRX139 GRXF139							GR169R99 GRF169R99							217	236	6.63	10	1.90	257	200	5.61	9.5	2.20	277	185	5.19	9.3	3.70	310	165	4.65	9.0	4.10	GRX109 GRXF109							GR149R89 GRF149R89							249	206	5.79	8.0	1.95	293	175	4.91	7.6	2.20	319	161	4.52	7.4	3.60	356	144	4.04	7.2	4.00	396	129	3.64	7.0	4.40	436	117	3.30	6.8	4.90	493	104	2.92	6.5	5.50	545	94	2.64	6.4	6.10	643	80	2.24	6.0	7.20	GRX99 GRXF99							GR149R89 GRF149R89							7.5kW							7.5kW							1.5	43049	959	128	0.9	1.8	35867	799	128	1.0	1.9	34565	770	128	1.1	2.1	31243	696	128	1.2	2.4	26485	590	128	1.4	2.9	22086	492	128	1.7	3.2	20200	450	128	1.8	3.6	18091	403	128	2.0	4.0	16340	364	128	2.2	4.4	14859	331	128	2.5	4.9	13153	293	128	2.8	5.4	11941	266	128	3.1	1.9	34476	768	128	1.1	2.0	31872	710	128	1.1	2.3	27877	621	128	1.3	2.6	25273	563	128	1.4	3.0	21592	481	128	1.7	3.0	21413	477	128	1.7	3.5	18315	408	128	2.0	4.0	15981	356	128	2.3	4.9	13243	295	128	2.8	2.9	22580	503	54	0.80	3.3	19392	432	59	0.95	3.8	16924	377	62	1.10	4.3	15038	335	64	1.20	4.8	13602	303	66	1.30	5.2	12524	279	67	1.45	4.4	14634	326	48	0.90	5.1	12569	280	60	1.05	5.8	11088	247	62	1.20	6.7	9606	214	65	1.40	7.6	8484	189	66	1.60	9.1	7138	159	67	1.80																																																																																																																																																																																																																																																																																																									
598	83	4.85	1.8	1.70	668	75	4.34	1.8	1.85	784	64	3.70	1.7	2.10	GR49 GRF49							GR179R99 GRF179R99							221	232	6.52	16	4.80	245	209	5.87	16	6.25	GRX139 GRXF139							GR169R99 GRF169R99							217	236	6.63	10	1.90	257	200	5.61	9.5	2.20	277	185	5.19	9.3	3.70	310	165	4.65	9.0	4.10	GRX109 GRXF109							GR149R89 GRF149R89							249	206	5.79	8.0	1.95	293	175	4.91	7.6	2.20	319	161	4.52	7.4	3.60	356	144	4.04	7.2	4.00	396	129	3.64	7.0	4.40	436	117	3.30	6.8	4.90	493	104	2.92	6.5	5.50	545	94	2.64	6.4	6.10	643	80	2.24	6.0	7.20	GRX99 GRXF99							GR149R89 GRF149R89							7.5kW							7.5kW							1.5	43049	959	128	0.9	1.8	35867	799	128	1.0	1.9	34565	770	128	1.1	2.1	31243	696	128	1.2	2.4	26485	590	128	1.4	2.9	22086	492	128	1.7	3.2	20200	450	128	1.8	3.6	18091	403	128	2.0	4.0	16340	364	128	2.2	4.4	14859	331	128	2.5	4.9	13153	293	128	2.8	5.4	11941	266	128	3.1	1.9	34476	768	128	1.1	2.0	31872	710	128	1.1	2.3	27877	621	128	1.3	2.6	25273	563	128	1.4	3.0	21592	481	128	1.7	3.0	21413	477	128	1.7	3.5	18315	408	128	2.0	4.0	15981	356	128	2.3	4.9	13243	295	128	2.8	2.9	22580	503	54	0.80	3.3	19392	432	59	0.95	3.8	16924	377	62	1.10	4.3	15038	335	64	1.20	4.8	13602	303	66	1.30	5.2	12524	279	67	1.45	4.4	14634	326	48	0.90	5.1	12569	280	60	1.05	5.8	11088	247	62	1.20	6.7	9606	214	65	1.40	7.6	8484	189	66	1.60	9.1	7138	159	67	1.80																																																																																																																																																																																																																																																																																																														
668	75	4.34	1.8	1.85	784	64	3.70	1.7	2.10	GR49 GRF49							GR179R99 GRF179R99							221	232	6.52	16	4.80	245	209	5.87	16	6.25	GRX139 GRXF139							GR169R99 GRF169R99							217	236	6.63	10	1.90	257	200	5.61	9.5	2.20	277	185	5.19	9.3	3.70	310	165	4.65	9.0	4.10	GRX109 GRXF109							GR149R89 GRF149R89							249	206	5.79	8.0	1.95	293	175	4.91	7.6	2.20	319	161	4.52	7.4	3.60	356	144	4.04	7.2	4.00	396	129	3.64	7.0	4.40	436	117	3.30	6.8	4.90	493	104	2.92	6.5	5.50	545	94	2.64	6.4	6.10	643	80	2.24	6.0	7.20	GRX99 GRXF99							GR149R89 GRF149R89							7.5kW							7.5kW							1.5	43049	959	128	0.9	1.8	35867	799	128	1.0	1.9	34565	770	128	1.1	2.1	31243	696	128	1.2	2.4	26485	590	128	1.4	2.9	22086	492	128	1.7	3.2	20200	450	128	1.8	3.6	18091	403	128	2.0	4.0	16340	364	128	2.2	4.4	14859	331	128	2.5	4.9	13153	293	128	2.8	5.4	11941	266	128	3.1	1.9	34476	768	128	1.1	2.0	31872	710	128	1.1	2.3	27877	621	128	1.3	2.6	25273	563	128	1.4	3.0	21592	481	128	1.7	3.0	21413	477	128	1.7	3.5	18315	408	128	2.0	4.0	15981	356	128	2.3	4.9	13243	295	128	2.8	2.9	22580	503	54	0.80	3.3	19392	432	59	0.95	3.8	16924	377	62	1.10	4.3	15038	335	64	1.20	4.8	13602	303	66	1.30	5.2	12524	279	67	1.45	4.4	14634	326	48	0.90	5.1	12569	280	60	1.05	5.8	11088	247	62	1.20	6.7	9606	214	65	1.40	7.6	8484	189	66	1.60	9.1	7138	159	67	1.80																																																																																																																																																																																																																																																																																																																			
784	64	3.70	1.7	2.10	GR49 GRF49							GR179R99 GRF179R99							221	232	6.52	16	4.80	245	209	5.87	16	6.25	GRX139 GRXF139							GR169R99 GRF169R99							217	236	6.63	10	1.90	257	200	5.61	9.5	2.20	277	185	5.19	9.3	3.70	310	165	4.65	9.0	4.10	GRX109 GRXF109							GR149R89 GRF149R89							249	206	5.79	8.0	1.95	293	175	4.91	7.6	2.20	319	161	4.52	7.4	3.60	356	144	4.04	7.2	4.00	396	129	3.64	7.0	4.40	436	117	3.30	6.8	4.90	493	104	2.92	6.5	5.50	545	94	2.64	6.4	6.10	643	80	2.24	6.0	7.20	GRX99 GRXF99							GR149R89 GRF149R89							7.5kW							7.5kW							1.5	43049	959	128	0.9	1.8	35867	799	128	1.0	1.9	34565	770	128	1.1	2.1	31243	696	128	1.2	2.4	26485	590	128	1.4	2.9	22086	492	128	1.7	3.2	20200	450	128	1.8	3.6	18091	403	128	2.0	4.0	16340	364	128	2.2	4.4	14859	331	128	2.5	4.9	13153	293	128	2.8	5.4	11941	266	128	3.1	1.9	34476	768	128	1.1	2.0	31872	710	128	1.1	2.3	27877	621	128	1.3	2.6	25273	563	128	1.4	3.0	21592	481	128	1.7	3.0	21413	477	128	1.7	3.5	18315	408	128	2.0	4.0	15981	356	128	2.3	4.9	13243	295	128	2.8	2.9	22580	503	54	0.80	3.3	19392	432	59	0.95	3.8	16924	377	62	1.10	4.3	15038	335	64	1.20	4.8	13602	303	66	1.30	5.2	12524	279	67	1.45	4.4	14634	326	48	0.90	5.1	12569	280	60	1.05	5.8	11088	247	62	1.20	6.7	9606	214	65	1.40	7.6	8484	189	66	1.60	9.1	7138	159	67	1.80																																																																																																																																																																																																																																																																																																																								
GR49 GRF49							GR179R99 GRF179R99																																																																																																																																																																																																																																																																																																																																																																																																																																																																																																																																																																																																																																											
221	232	6.52	16	4.80	245	209	5.87	16	6.25	GRX139 GRXF139							GR169R99 GRF169R99							217	236	6.63	10	1.90	257	200	5.61	9.5	2.20	277	185	5.19	9.3	3.70	310	165	4.65	9.0	4.10	GRX109 GRXF109							GR149R89 GRF149R89							249	206	5.79	8.0	1.95	293	175	4.91	7.6	2.20	319	161	4.52	7.4	3.60	356	144	4.04	7.2	4.00	396	129	3.64	7.0	4.40	436	117	3.30	6.8	4.90	493	104	2.92	6.5	5.50	545	94	2.64	6.4	6.10	643	80	2.24	6.0	7.20	GRX99 GRXF99							GR149R89 GRF149R89							7.5kW							7.5kW							1.5	43049	959	128	0.9	1.8	35867	799	128	1.0	1.9	34565	770	128	1.1	2.1	31243	696	128	1.2	2.4	26485	590	128	1.4	2.9	22086	492	128	1.7	3.2	20200	450	128	1.8	3.6	18091	403	128	2.0	4.0	16340	364	128	2.2	4.4	14859	331	128	2.5	4.9	13153	293	128	2.8	5.4	11941	266	128	3.1	1.9	34476	768	128	1.1	2.0	31872	710	128	1.1	2.3	27877	621	128	1.3	2.6	25273	563	128	1.4	3.0	21592	481	128	1.7	3.0	21413	477	128	1.7	3.5	18315	408	128	2.0	4.0	15981	356	128	2.3	4.9	13243	295	128	2.8	2.9	22580	503	54	0.80	3.3	19392	432	59	0.95	3.8	16924	377	62	1.10	4.3	15038	335	64	1.20	4.8	13602	303	66	1.30	5.2	12524	279	67	1.45	4.4	14634	326	48	0.90	5.1	12569	280	60	1.05	5.8	11088	247	62	1.20	6.7	9606	214	65	1.40	7.6	8484	189	66	1.60	9.1	7138	159	67	1.80																																																																																																																																																																																																																																																																																																																																											
245	209	5.87	16	6.25	GRX139 GRXF139							GR169R99 GRF169R99							217	236	6.63	10	1.90	257	200	5.61	9.5	2.20	277	185	5.19	9.3	3.70	310	165	4.65	9.0	4.10	GRX109 GRXF109							GR149R89 GRF149R89							249	206	5.79	8.0	1.95	293	175	4.91	7.6	2.20	319	161	4.52	7.4	3.60	356	144	4.04	7.2	4.00	396	129	3.64	7.0	4.40	436	117	3.30	6.8	4.90	493	104	2.92	6.5	5.50	545	94	2.64	6.4	6.10	643	80	2.24	6.0	7.20	GRX99 GRXF99							GR149R89 GRF149R89							7.5kW							7.5kW							1.5	43049	959	128	0.9	1.8	35867	799	128	1.0	1.9	34565	770	128	1.1	2.1	31243	696	128	1.2	2.4	26485	590	128	1.4	2.9	22086	492	128	1.7	3.2	20200	450	128	1.8	3.6	18091	403	128	2.0	4.0	16340	364	128	2.2	4.4	14859	331	128	2.5	4.9	13153	293	128	2.8	5.4	11941	266	128	3.1	1.9	34476	768	128	1.1	2.0	31872	710	128	1.1	2.3	27877	621	128	1.3	2.6	25273	563	128	1.4	3.0	21592	481	128	1.7	3.0	21413	477	128	1.7	3.5	18315	408	128	2.0	4.0	15981	356	128	2.3	4.9	13243	295	128	2.8	2.9	22580	503	54	0.80	3.3	19392	432	59	0.95	3.8	16924	377	62	1.10	4.3	15038	335	64	1.20	4.8	13602	303	66	1.30	5.2	12524	279	67	1.45	4.4	14634	326	48	0.90	5.1	12569	280	60	1.05	5.8	11088	247	62	1.20	6.7	9606	214	65	1.40	7.6	8484	189	66	1.60	9.1	7138	159	67	1.80																																																																																																																																																																																																																																																																																																																																																
GRX139 GRXF139							GR169R99 GRF169R99																																																																																																																																																																																																																																																																																																																																																																																																																																																																																																																																																																																																																																											
217	236	6.63	10	1.90	257	200	5.61	9.5	2.20	277	185	5.19	9.3	3.70	310	165	4.65	9.0	4.10	GRX109 GRXF109							GR149R89 GRF149R89							249	206	5.79	8.0	1.95	293	175	4.91	7.6	2.20	319	161	4.52	7.4	3.60	356	144	4.04	7.2	4.00	396	129	3.64	7.0	4.40	436	117	3.30	6.8	4.90	493	104	2.92	6.5	5.50	545	94	2.64	6.4	6.10	643	80	2.24	6.0	7.20	GRX99 GRXF99							GR149R89 GRF149R89							7.5kW							7.5kW							1.5	43049	959	128	0.9	1.8	35867	799	128	1.0	1.9	34565	770	128	1.1	2.1	31243	696	128	1.2	2.4	26485	590	128	1.4	2.9	22086	492	128	1.7	3.2	20200	450	128	1.8	3.6	18091	403	128	2.0	4.0	16340	364	128	2.2	4.4	14859	331	128	2.5	4.9	13153	293	128	2.8	5.4	11941	266	128	3.1	1.9	34476	768	128	1.1	2.0	31872	710	128	1.1	2.3	27877	621	128	1.3	2.6	25273	563	128	1.4	3.0	21592	481	128	1.7	3.0	21413	477	128	1.7	3.5	18315	408	128	2.0	4.0	15981	356	128	2.3	4.9	13243	295	128	2.8	2.9	22580	503	54	0.80	3.3	19392	432	59	0.95	3.8	16924	377	62	1.10	4.3	15038	335	64	1.20	4.8	13602	303	66	1.30	5.2	12524	279	67	1.45	4.4	14634	326	48	0.90	5.1	12569	280	60	1.05	5.8	11088	247	62	1.20	6.7	9606	214	65	1.40	7.6	8484	189	66	1.60	9.1	7138	159	67	1.80																																																																																																																																																																																																																																																																																																																																																																			
257	200	5.61	9.5	2.20	277	185	5.19	9.3	3.70	310	165	4.65	9.0	4.10	GRX109 GRXF109							GR149R89 GRF149R89							249	206	5.79	8.0	1.95	293	175	4.91	7.6	2.20	319	161	4.52	7.4	3.60	356	144	4.04	7.2	4.00	396	129	3.64	7.0	4.40	436	117	3.30	6.8	4.90	493	104	2.92	6.5	5.50	545	94	2.64	6.4	6.10	643	80	2.24	6.0	7.20	GRX99 GRXF99							GR149R89 GRF149R89							7.5kW							7.5kW							1.5	43049	959	128	0.9	1.8	35867	799	128	1.0	1.9	34565	770	128	1.1	2.1	31243	696	128	1.2	2.4	26485	590	128	1.4	2.9	22086	492	128	1.7	3.2	20200	450	128	1.8	3.6	18091	403	128	2.0	4.0	16340	364	128	2.2	4.4	14859	331	128	2.5	4.9	13153	293	128	2.8	5.4	11941	266	128	3.1	1.9	34476	768	128	1.1	2.0	31872	710	128	1.1	2.3	27877	621	128	1.3	2.6	25273	563	128	1.4	3.0	21592	481	128	1.7	3.0	21413	477	128	1.7	3.5	18315	408	128	2.0	4.0	15981	356	128	2.3	4.9	13243	295	128	2.8	2.9	22580	503	54	0.80	3.3	19392	432	59	0.95	3.8	16924	377	62	1.10	4.3	15038	335	64	1.20	4.8	13602	303	66	1.30	5.2	12524	279	67	1.45	4.4	14634	326	48	0.90	5.1	12569	280	60	1.05	5.8	11088	247	62	1.20	6.7	9606	214	65	1.40	7.6	8484	189	66	1.60	9.1	7138	159	67	1.80																																																																																																																																																																																																																																																																																																																																																																								
277	185	5.19	9.3	3.70	310	165	4.65	9.0	4.10	GRX109 GRXF109							GR149R89 GRF149R89							249	206	5.79	8.0	1.95	293	175	4.91	7.6	2.20	319	161	4.52	7.4	3.60	356	144	4.04	7.2	4.00	396	129	3.64	7.0	4.40	436	117	3.30	6.8	4.90	493	104	2.92	6.5	5.50	545	94	2.64	6.4	6.10	643	80	2.24	6.0	7.20	GRX99 GRXF99							GR149R89 GRF149R89							7.5kW							7.5kW							1.5	43049	959	128	0.9	1.8	35867	799	128	1.0	1.9	34565	770	128	1.1	2.1	31243	696	128	1.2	2.4	26485	590	128	1.4	2.9	22086	492	128	1.7	3.2	20200	450	128	1.8	3.6	18091	403	128	2.0	4.0	16340	364	128	2.2	4.4	14859	331	128	2.5	4.9	13153	293	128	2.8	5.4	11941	266	128	3.1	1.9	34476	768	128	1.1	2.0	31872	710	128	1.1	2.3	27877	621	128	1.3	2.6	25273	563	128	1.4	3.0	21592	481	128	1.7	3.0	21413	477	128	1.7	3.5	18315	408	128	2.0	4.0	15981	356	128	2.3	4.9	13243	295	128	2.8	2.9	22580	503	54	0.80	3.3	19392	432	59	0.95	3.8	16924	377	62	1.10	4.3	15038	335	64	1.20	4.8	13602	303	66	1.30	5.2	12524	279	67	1.45	4.4	14634	326	48	0.90	5.1	12569	280	60	1.05	5.8	11088	247	62	1.20	6.7	9606	214	65	1.40	7.6	8484	189	66	1.60	9.1	7138	159	67	1.80																																																																																																																																																																																																																																																																																																																																																																													
310	165	4.65	9.0	4.10	GRX109 GRXF109							GR149R89 GRF149R89							249	206	5.79	8.0	1.95	293	175	4.91	7.6	2.20	319	161	4.52	7.4	3.60	356	144	4.04	7.2	4.00	396	129	3.64	7.0	4.40	436	117	3.30	6.8	4.90	493	104	2.92	6.5	5.50	545	94	2.64	6.4	6.10	643	80	2.24	6.0	7.20	GRX99 GRXF99							GR149R89 GRF149R89							7.5kW							7.5kW							1.5	43049	959	128	0.9	1.8	35867	799	128	1.0	1.9	34565	770	128	1.1	2.1	31243	696	128	1.2	2.4	26485	590	128	1.4	2.9	22086	492	128	1.7	3.2	20200	450	128	1.8	3.6	18091	403	128	2.0	4.0	16340	364	128	2.2	4.4	14859	331	128	2.5	4.9	13153	293	128	2.8	5.4	11941	266	128	3.1	1.9	34476	768	128	1.1	2.0	31872	710	128	1.1	2.3	27877	621	128	1.3	2.6	25273	563	128	1.4	3.0	21592	481	128	1.7	3.0	21413	477	128	1.7	3.5	18315	408	128	2.0	4.0	15981	356	128	2.3	4.9	13243	295	128	2.8	2.9	22580	503	54	0.80	3.3	19392	432	59	0.95	3.8	16924	377	62	1.10	4.3	15038	335	64	1.20	4.8	13602	303	66	1.30	5.2	12524	279	67	1.45	4.4	14634	326	48	0.90	5.1	12569	280	60	1.05	5.8	11088	247	62	1.20	6.7	9606	214	65	1.40	7.6	8484	189	66	1.60	9.1	7138	159	67	1.80																																																																																																																																																																																																																																																																																																																																																																																		
GRX109 GRXF109							GR149R89 GRF149R89																																																																																																																																																																																																																																																																																																																																																																																																																																																																																																																																																																																																																																											
249	206	5.79	8.0	1.95	293	175	4.91	7.6	2.20	319	161	4.52	7.4	3.60	356	144	4.04	7.2	4.00	396	129	3.64	7.0	4.40	436	117	3.30	6.8	4.90	493	104	2.92	6.5	5.50	545	94	2.64	6.4	6.10	643	80	2.24	6.0	7.20	GRX99 GRXF99							GR149R89 GRF149R89							7.5kW							7.5kW							1.5	43049	959	128	0.9	1.8	35867	799	128	1.0	1.9	34565	770	128	1.1	2.1	31243	696	128	1.2	2.4	26485	590	128	1.4	2.9	22086	492	128	1.7	3.2	20200	450	128	1.8	3.6	18091	403	128	2.0	4.0	16340	364	128	2.2	4.4	14859	331	128	2.5	4.9	13153	293	128	2.8	5.4	11941	266	128	3.1	1.9	34476	768	128	1.1	2.0	31872	710	128	1.1	2.3	27877	621	128	1.3	2.6	25273	563	128	1.4	3.0	21592	481	128	1.7	3.0	21413	477	128	1.7	3.5	18315	408	128	2.0	4.0	15981	356	128	2.3	4.9	13243	295	128	2.8	2.9	22580	503	54	0.80	3.3	19392	432	59	0.95	3.8	16924	377	62	1.10	4.3	15038	335	64	1.20	4.8	13602	303	66	1.30	5.2	12524	279	67	1.45	4.4	14634	326	48	0.90	5.1	12569	280	60	1.05	5.8	11088	247	62	1.20	6.7	9606	214	65	1.40	7.6	8484	189	66	1.60	9.1	7138	159	67	1.80																																																																																																																																																																																																																																																																																																																																																																																																					
293	175	4.91	7.6	2.20	319	161	4.52	7.4	3.60	356	144	4.04	7.2	4.00	396	129	3.64	7.0	4.40	436	117	3.30	6.8	4.90	493	104	2.92	6.5	5.50	545	94	2.64	6.4	6.10	643	80	2.24	6.0	7.20	GRX99 GRXF99							GR149R89 GRF149R89							7.5kW							7.5kW							1.5	43049	959	128	0.9	1.8	35867	799	128	1.0	1.9	34565	770	128	1.1	2.1	31243	696	128	1.2	2.4	26485	590	128	1.4	2.9	22086	492	128	1.7	3.2	20200	450	128	1.8	3.6	18091	403	128	2.0	4.0	16340	364	128	2.2	4.4	14859	331	128	2.5	4.9	13153	293	128	2.8	5.4	11941	266	128	3.1	1.9	34476	768	128	1.1	2.0	31872	710	128	1.1	2.3	27877	621	128	1.3	2.6	25273	563	128	1.4	3.0	21592	481	128	1.7	3.0	21413	477	128	1.7	3.5	18315	408	128	2.0	4.0	15981	356	128	2.3	4.9	13243	295	128	2.8	2.9	22580	503	54	0.80	3.3	19392	432	59	0.95	3.8	16924	377	62	1.10	4.3	15038	335	64	1.20	4.8	13602	303	66	1.30	5.2	12524	279	67	1.45	4.4	14634	326	48	0.90	5.1	12569	280	60	1.05	5.8	11088	247	62	1.20	6.7	9606	214	65	1.40	7.6	8484	189	66	1.60	9.1	7138	159	67	1.80																																																																																																																																																																																																																																																																																																																																																																																																										
319	161	4.52	7.4	3.60	356	144	4.04	7.2	4.00	396	129	3.64	7.0	4.40	436	117	3.30	6.8	4.90	493	104	2.92	6.5	5.50	545	94	2.64	6.4	6.10	643	80	2.24	6.0	7.20	GRX99 GRXF99							GR149R89 GRF149R89							7.5kW							7.5kW							1.5	43049	959	128	0.9	1.8	35867	799	128	1.0	1.9	34565	770	128	1.1	2.1	31243	696	128	1.2	2.4	26485	590	128	1.4	2.9	22086	492	128	1.7	3.2	20200	450	128	1.8	3.6	18091	403	128	2.0	4.0	16340	364	128	2.2	4.4	14859	331	128	2.5	4.9	13153	293	128	2.8	5.4	11941	266	128	3.1	1.9	34476	768	128	1.1	2.0	31872	710	128	1.1	2.3	27877	621	128	1.3	2.6	25273	563	128	1.4	3.0	21592	481	128	1.7	3.0	21413	477	128	1.7	3.5	18315	408	128	2.0	4.0	15981	356	128	2.3	4.9	13243	295	128	2.8	2.9	22580	503	54	0.80	3.3	19392	432	59	0.95	3.8	16924	377	62	1.10	4.3	15038	335	64	1.20	4.8	13602	303	66	1.30	5.2	12524	279	67	1.45	4.4	14634	326	48	0.90	5.1	12569	280	60	1.05	5.8	11088	247	62	1.20	6.7	9606	214	65	1.40	7.6	8484	189	66	1.60	9.1	7138	159	67	1.80																																																																																																																																																																																																																																																																																																																																																																																																															
356	144	4.04	7.2	4.00	396	129	3.64	7.0	4.40	436	117	3.30	6.8	4.90	493	104	2.92	6.5	5.50	545	94	2.64	6.4	6.10	643	80	2.24	6.0	7.20	GRX99 GRXF99							GR149R89 GRF149R89							7.5kW							7.5kW							1.5	43049	959	128	0.9	1.8	35867	799	128	1.0	1.9	34565	770	128	1.1	2.1	31243	696	128	1.2	2.4	26485	590	128	1.4	2.9	22086	492	128	1.7	3.2	20200	450	128	1.8	3.6	18091	403	128	2.0	4.0	16340	364	128	2.2	4.4	14859	331	128	2.5	4.9	13153	293	128	2.8	5.4	11941	266	128	3.1	1.9	34476	768	128	1.1	2.0	31872	710	128	1.1	2.3	27877	621	128	1.3	2.6	25273	563	128	1.4	3.0	21592	481	128	1.7	3.0	21413	477	128	1.7	3.5	18315	408	128	2.0	4.0	15981	356	128	2.3	4.9	13243	295	128	2.8	2.9	22580	503	54	0.80	3.3	19392	432	59	0.95	3.8	16924	377	62	1.10	4.3	15038	335	64	1.20	4.8	13602	303	66	1.30	5.2	12524	279	67	1.45	4.4	14634	326	48	0.90	5.1	12569	280	60	1.05	5.8	11088	247	62	1.20	6.7	9606	214	65	1.40	7.6	8484	189	66	1.60	9.1	7138	159	67	1.80																																																																																																																																																																																																																																																																																																																																																																																																																				
396	129	3.64	7.0	4.40	436	117	3.30	6.8	4.90	493	104	2.92	6.5	5.50	545	94	2.64	6.4	6.10	643	80	2.24	6.0	7.20	GRX99 GRXF99							GR149R89 GRF149R89							7.5kW							7.5kW							1.5	43049	959	128	0.9	1.8	35867	799	128	1.0	1.9	34565	770	128	1.1	2.1	31243	696	128	1.2	2.4	26485	590	128	1.4	2.9	22086	492	128	1.7	3.2	20200	450	128	1.8	3.6	18091	403	128	2.0	4.0	16340	364	128	2.2	4.4	14859	331	128	2.5	4.9	13153	293	128	2.8	5.4	11941	266	128	3.1	1.9	34476	768	128	1.1	2.0	31872	710	128	1.1	2.3	27877	621	128	1.3	2.6	25273	563	128	1.4	3.0	21592	481	128	1.7	3.0	21413	477	128	1.7	3.5	18315	408	128	2.0	4.0	15981	356	128	2.3	4.9	13243	295	128	2.8	2.9	22580	503	54	0.80	3.3	19392	432	59	0.95	3.8	16924	377	62	1.10	4.3	15038	335	64	1.20	4.8	13602	303	66	1.30	5.2	12524	279	67	1.45	4.4	14634	326	48	0.90	5.1	12569	280	60	1.05	5.8	11088	247	62	1.20	6.7	9606	214	65	1.40	7.6	8484	189	66	1.60	9.1	7138	159	67	1.80																																																																																																																																																																																																																																																																																																																																																																																																																									
436	117	3.30	6.8	4.90	493	104	2.92	6.5	5.50	545	94	2.64	6.4	6.10	643	80	2.24	6.0	7.20	GRX99 GRXF99							GR149R89 GRF149R89							7.5kW							7.5kW							1.5	43049	959	128	0.9	1.8	35867	799	128	1.0	1.9	34565	770	128	1.1	2.1	31243	696	128	1.2	2.4	26485	590	128	1.4	2.9	22086	492	128	1.7	3.2	20200	450	128	1.8	3.6	18091	403	128	2.0	4.0	16340	364	128	2.2	4.4	14859	331	128	2.5	4.9	13153	293	128	2.8	5.4	11941	266	128	3.1	1.9	34476	768	128	1.1	2.0	31872	710	128	1.1	2.3	27877	621	128	1.3	2.6	25273	563	128	1.4	3.0	21592	481	128	1.7	3.0	21413	477	128	1.7	3.5	18315	408	128	2.0	4.0	15981	356	128	2.3	4.9	13243	295	128	2.8	2.9	22580	503	54	0.80	3.3	19392	432	59	0.95	3.8	16924	377	62	1.10	4.3	15038	335	64	1.20	4.8	13602	303	66	1.30	5.2	12524	279	67	1.45	4.4	14634	326	48	0.90	5.1	12569	280	60	1.05	5.8	11088	247	62	1.20	6.7	9606	214	65	1.40	7.6	8484	189	66	1.60	9.1	7138	159	67	1.80																																																																																																																																																																																																																																																																																																																																																																																																																														
493	104	2.92	6.5	5.50	545	94	2.64	6.4	6.10	643	80	2.24	6.0	7.20	GRX99 GRXF99							GR149R89 GRF149R89							7.5kW							7.5kW							1.5	43049	959	128	0.9	1.8	35867	799	128	1.0	1.9	34565	770	128	1.1	2.1	31243	696	128	1.2	2.4	26485	590	128	1.4	2.9	22086	492	128	1.7	3.2	20200	450	128	1.8	3.6	18091	403	128	2.0	4.0	16340	364	128	2.2	4.4	14859	331	128	2.5	4.9	13153	293	128	2.8	5.4	11941	266	128	3.1	1.9	34476	768	128	1.1	2.0	31872	710	128	1.1	2.3	27877	621	128	1.3	2.6	25273	563	128	1.4	3.0	21592	481	128	1.7	3.0	21413	477	128	1.7	3.5	18315	408	128	2.0	4.0	15981	356	128	2.3	4.9	13243	295	128	2.8	2.9	22580	503	54	0.80	3.3	19392	432	59	0.95	3.8	16924	377	62	1.10	4.3	15038	335	64	1.20	4.8	13602	303	66	1.30	5.2	12524	279	67	1.45	4.4	14634	326	48	0.90	5.1	12569	280	60	1.05	5.8	11088	247	62	1.20	6.7	9606	214	65	1.40	7.6	8484	189	66	1.60	9.1	7138	159	67	1.80																																																																																																																																																																																																																																																																																																																																																																																																																																			
545	94	2.64	6.4	6.10	643	80	2.24	6.0	7.20	GRX99 GRXF99							GR149R89 GRF149R89							7.5kW							7.5kW							1.5	43049	959	128	0.9	1.8	35867	799	128	1.0	1.9	34565	770	128	1.1	2.1	31243	696	128	1.2	2.4	26485	590	128	1.4	2.9	22086	492	128	1.7	3.2	20200	450	128	1.8	3.6	18091	403	128	2.0	4.0	16340	364	128	2.2	4.4	14859	331	128	2.5	4.9	13153	293	128	2.8	5.4	11941	266	128	3.1	1.9	34476	768	128	1.1	2.0	31872	710	128	1.1	2.3	27877	621	128	1.3	2.6	25273	563	128	1.4	3.0	21592	481	128	1.7	3.0	21413	477	128	1.7	3.5	18315	408	128	2.0	4.0	15981	356	128	2.3	4.9	13243	295	128	2.8	2.9	22580	503	54	0.80	3.3	19392	432	59	0.95	3.8	16924	377	62	1.10	4.3	15038	335	64	1.20	4.8	13602	303	66	1.30	5.2	12524	279	67	1.45	4.4	14634	326	48	0.90	5.1	12569	280	60	1.05	5.8	11088	247	62	1.20	6.7	9606	214	65	1.40	7.6	8484	189	66	1.60	9.1	7138	159	67	1.80																																																																																																																																																																																																																																																																																																																																																																																																																																								
643	80	2.24	6.0	7.20	GRX99 GRXF99							GR149R89 GRF149R89							7.5kW							7.5kW							1.5	43049	959	128	0.9	1.8	35867	799	128	1.0	1.9	34565	770	128	1.1	2.1	31243	696	128	1.2	2.4	26485	590	128	1.4	2.9	22086	492	128	1.7	3.2	20200	450	128	1.8	3.6	18091	403	128	2.0	4.0	16340	364	128	2.2	4.4	14859	331	128	2.5	4.9	13153	293	128	2.8	5.4	11941	266	128	3.1	1.9	34476	768	128	1.1	2.0	31872	710	128	1.1	2.3	27877	621	128	1.3	2.6	25273	563	128	1.4	3.0	21592	481	128	1.7	3.0	21413	477	128	1.7	3.5	18315	408	128	2.0	4.0	15981	356	128	2.3	4.9	13243	295	128	2.8	2.9	22580	503	54	0.80	3.3	19392	432	59	0.95	3.8	16924	377	62	1.10	4.3	15038	335	64	1.20	4.8	13602	303	66	1.30	5.2	12524	279	67	1.45	4.4	14634	326	48	0.90	5.1	12569	280	60	1.05	5.8	11088	247	62	1.20	6.7	9606	214	65	1.40	7.6	8484	189	66	1.60	9.1	7138	159	67	1.80																																																																																																																																																																																																																																																																																																																																																																																																																																													
GRX99 GRXF99							GR149R89 GRF149R89																																																																																																																																																																																																																																																																																																																																																																																																																																																																																																																																																																																																																																											
7.5kW							7.5kW																																																																																																																																																																																																																																																																																																																																																																																																																																																																																																																																																																																																																																											
1.5	43049	959	128	0.9	1.8	35867	799	128	1.0	1.9	34565	770	128	1.1	2.1	31243	696	128	1.2	2.4	26485	590	128	1.4	2.9	22086	492	128	1.7	3.2	20200	450	128	1.8	3.6	18091	403	128	2.0	4.0	16340	364	128	2.2	4.4	14859	331	128	2.5	4.9	13153	293	128	2.8	5.4	11941	266	128	3.1	1.9	34476	768	128	1.1	2.0	31872	710	128	1.1	2.3	27877	621	128	1.3	2.6	25273	563	128	1.4	3.0	21592	481	128	1.7	3.0	21413	477	128	1.7	3.5	18315	408	128	2.0	4.0	15981	356	128	2.3	4.9	13243	295	128	2.8	2.9	22580	503	54	0.80	3.3	19392	432	59	0.95	3.8	16924	377	62	1.10	4.3	15038	335	64	1.20	4.8	13602	303	66	1.30	5.2	12524	279	67	1.45	4.4	14634	326	48	0.90	5.1	12569	280	60	1.05	5.8	11088	247	62	1.20	6.7	9606	214	65	1.40	7.6	8484	189	66	1.60	9.1	7138	159	67	1.80																																																																																																																																																																																																																																																																																																																																																																																																																																																																														
1.8	35867	799	128	1.0	1.9	34565	770	128	1.1	2.1	31243	696	128	1.2	2.4	26485	590	128	1.4	2.9	22086	492	128	1.7	3.2	20200	450	128	1.8	3.6	18091	403	128	2.0	4.0	16340	364	128	2.2	4.4	14859	331	128	2.5	4.9	13153	293	128	2.8	5.4	11941	266	128	3.1	1.9	34476	768	128	1.1	2.0	31872	710	128	1.1	2.3	27877	621	128	1.3	2.6	25273	563	128	1.4	3.0	21592	481	128	1.7	3.0	21413	477	128	1.7	3.5	18315	408	128	2.0	4.0	15981	356	128	2.3	4.9	13243	295	128	2.8	2.9	22580	503	54	0.80	3.3	19392	432	59	0.95	3.8	16924	377	62	1.10	4.3	15038	335	64	1.20	4.8	13602	303	66	1.30	5.2	12524	279	67	1.45	4.4	14634	326	48	0.90	5.1	12569	280	60	1.05	5.8	11088	247	62	1.20	6.7	9606	214	65	1.40	7.6	8484	189	66	1.60	9.1	7138	159	67	1.80																																																																																																																																																																																																																																																																																																																																																																																																																																																																																			
1.9	34565	770	128	1.1	2.1	31243	696	128	1.2	2.4	26485	590	128	1.4	2.9	22086	492	128	1.7	3.2	20200	450	128	1.8	3.6	18091	403	128	2.0	4.0	16340	364	128	2.2	4.4	14859	331	128	2.5	4.9	13153	293	128	2.8	5.4	11941	266	128	3.1	1.9	34476	768	128	1.1	2.0	31872	710	128	1.1	2.3	27877	621	128	1.3	2.6	25273	563	128	1.4	3.0	21592	481	128	1.7	3.0	21413	477	128	1.7	3.5	18315	408	128	2.0	4.0	15981	356	128	2.3	4.9	13243	295	128	2.8	2.9	22580	503	54	0.80	3.3	19392	432	59	0.95	3.8	16924	377	62	1.10	4.3	15038	335	64	1.20	4.8	13602	303	66	1.30	5.2	12524	279	67	1.45	4.4	14634	326	48	0.90	5.1	12569	280	60	1.05	5.8	11088	247	62	1.20	6.7	9606	214	65	1.40	7.6	8484	189	66	1.60	9.1	7138	159	67	1.80																																																																																																																																																																																																																																																																																																																																																																																																																																																																																								
2.1	31243	696	128	1.2	2.4	26485	590	128	1.4	2.9	22086	492	128	1.7	3.2	20200	450	128	1.8	3.6	18091	403	128	2.0	4.0	16340	364	128	2.2	4.4	14859	331	128	2.5	4.9	13153	293	128	2.8	5.4	11941	266	128	3.1	1.9	34476	768	128	1.1	2.0	31872	710	128	1.1	2.3	27877	621	128	1.3	2.6	25273	563	128	1.4	3.0	21592	481	128	1.7	3.0	21413	477	128	1.7	3.5	18315	408	128	2.0	4.0	15981	356	128	2.3	4.9	13243	295	128	2.8	2.9	22580	503	54	0.80	3.3	19392	432	59	0.95	3.8	16924	377	62	1.10	4.3	15038	335	64	1.20	4.8	13602	303	66	1.30	5.2	12524	279	67	1.45	4.4	14634	326	48	0.90	5.1	12569	280	60	1.05	5.8	11088	247	62	1.20	6.7	9606	214	65	1.40	7.6	8484	189	66	1.60	9.1	7138	159	67	1.80																																																																																																																																																																																																																																																																																																																																																																																																																																																																																													
2.4	26485	590	128	1.4	2.9	22086	492	128	1.7	3.2	20200	450	128	1.8	3.6	18091	403	128	2.0	4.0	16340	364	128	2.2	4.4	14859	331	128	2.5	4.9	13153	293	128	2.8	5.4	11941	266	128	3.1	1.9	34476	768	128	1.1	2.0	31872	710	128	1.1	2.3	27877	621	128	1.3	2.6	25273	563	128	1.4	3.0	21592	481	128	1.7	3.0	21413	477	128	1.7	3.5	18315	408	128	2.0	4.0	15981	356	128	2.3	4.9	13243	295	128	2.8	2.9	22580	503	54	0.80	3.3	19392	432	59	0.95	3.8	16924	377	62	1.10	4.3	15038	335	64	1.20	4.8	13602	303	66	1.30	5.2	12524	279	67	1.45	4.4	14634	326	48	0.90	5.1	12569	280	60	1.05	5.8	11088	247	62	1.20	6.7	9606	214	65	1.40	7.6	8484	189	66	1.60	9.1	7138	159	67	1.80																																																																																																																																																																																																																																																																																																																																																																																																																																																																																																		
2.9	22086	492	128	1.7	3.2	20200	450	128	1.8	3.6	18091	403	128	2.0	4.0	16340	364	128	2.2	4.4	14859	331	128	2.5	4.9	13153	293	128	2.8	5.4	11941	266	128	3.1	1.9	34476	768	128	1.1	2.0	31872	710	128	1.1	2.3	27877	621	128	1.3	2.6	25273	563	128	1.4	3.0	21592	481	128	1.7	3.0	21413	477	128	1.7	3.5	18315	408	128	2.0	4.0	15981	356	128	2.3	4.9	13243	295	128	2.8	2.9	22580	503	54	0.80	3.3	19392	432	59	0.95	3.8	16924	377	62	1.10	4.3	15038	335	64	1.20	4.8	13602	303	66	1.30	5.2	12524	279	67	1.45	4.4	14634	326	48	0.90	5.1	12569	280	60	1.05	5.8	11088	247	62	1.20	6.7	9606	214	65	1.40	7.6	8484	189	66	1.60	9.1	7138	159	67	1.80																																																																																																																																																																																																																																																																																																																																																																																																																																																																																																							
3.2	20200	450	128	1.8	3.6	18091	403	128	2.0	4.0	16340	364	128	2.2	4.4	14859	331	128	2.5	4.9	13153	293	128	2.8	5.4	11941	266	128	3.1	1.9	34476	768	128	1.1	2.0	31872	710	128	1.1	2.3	27877	621	128	1.3	2.6	25273	563	128	1.4	3.0	21592	481	128	1.7	3.0	21413	477	128	1.7	3.5	18315	408	128	2.0	4.0	15981	356	128	2.3	4.9	13243	295	128	2.8	2.9	22580	503	54	0.80	3.3	19392	432	59	0.95	3.8	16924	377	62	1.10	4.3	15038	335	64	1.20	4.8	13602	303	66	1.30	5.2	12524	279	67	1.45	4.4	14634	326	48	0.90	5.1	12569	280	60	1.05	5.8	11088	247	62	1.20	6.7	9606	214	65	1.40	7.6	8484	189	66	1.60	9.1	7138	159	67	1.80																																																																																																																																																																																																																																																																																																																																																																																																																																																																																																												
3.6	18091	403	128	2.0	4.0	16340	364	128	2.2	4.4	14859	331	128	2.5	4.9	13153	293	128	2.8	5.4	11941	266	128	3.1	1.9	34476	768	128	1.1	2.0	31872	710	128	1.1	2.3	27877	621	128	1.3	2.6	25273	563	128	1.4	3.0	21592	481	128	1.7	3.0	21413	477	128	1.7	3.5	18315	408	128	2.0	4.0	15981	356	128	2.3	4.9	13243	295	128	2.8	2.9	22580	503	54	0.80	3.3	19392	432	59	0.95	3.8	16924	377	62	1.10	4.3	15038	335	64	1.20	4.8	13602	303	66	1.30	5.2	12524	279	67	1.45	4.4	14634	326	48	0.90	5.1	12569	280	60	1.05	5.8	11088	247	62	1.20	6.7	9606	214	65	1.40	7.6	8484	189	66	1.60	9.1	7138	159	67	1.80																																																																																																																																																																																																																																																																																																																																																																																																																																																																																																																	
4.0	16340	364	128	2.2	4.4	14859	331	128	2.5	4.9	13153	293	128	2.8	5.4	11941	266	128	3.1	1.9	34476	768	128	1.1	2.0	31872	710	128	1.1	2.3	27877	621	128	1.3	2.6	25273	563	128	1.4	3.0	21592	481	128	1.7	3.0	21413	477	128	1.7	3.5	18315	408	128	2.0	4.0	15981	356	128	2.3	4.9	13243	295	128	2.8	2.9	22580	503	54	0.80	3.3	19392	432	59	0.95	3.8	16924	377	62	1.10	4.3	15038	335	64	1.20	4.8	13602	303	66	1.30	5.2	12524	279	67	1.45	4.4	14634	326	48	0.90	5.1	12569	280	60	1.05	5.8	11088	247	62	1.20	6.7	9606	214	65	1.40	7.6	8484	189	66	1.60	9.1	7138	159	67	1.80																																																																																																																																																																																																																																																																																																																																																																																																																																																																																																																						
4.4	14859	331	128	2.5	4.9	13153	293	128	2.8	5.4	11941	266	128	3.1	1.9	34476	768	128	1.1	2.0	31872	710	128	1.1	2.3	27877	621	128	1.3	2.6	25273	563	128	1.4	3.0	21592	481	128	1.7	3.0	21413	477	128	1.7	3.5	18315	408	128	2.0	4.0	15981	356	128	2.3	4.9	13243	295	128	2.8	2.9	22580	503	54	0.80	3.3	19392	432	59	0.95	3.8	16924	377	62	1.10	4.3	15038	335	64	1.20	4.8	13602	303	66	1.30	5.2	12524	279	67	1.45	4.4	14634	326	48	0.90	5.1	12569	280	60	1.05	5.8	11088	247	62	1.20	6.7	9606	214	65	1.40	7.6	8484	189	66	1.60	9.1	7138	159	67	1.80																																																																																																																																																																																																																																																																																																																																																																																																																																																																																																																											
4.9	13153	293	128	2.8	5.4	11941	266	128	3.1	1.9	34476	768	128	1.1	2.0	31872	710	128	1.1	2.3	27877	621	128	1.3	2.6	25273	563	128	1.4	3.0	21592	481	128	1.7	3.0	21413	477	128	1.7	3.5	18315	408	128	2.0	4.0	15981	356	128	2.3	4.9	13243	295	128	2.8	2.9	22580	503	54	0.80	3.3	19392	432	59	0.95	3.8	16924	377	62	1.10	4.3	15038	335	64	1.20	4.8	13602	303	66	1.30	5.2	12524	279	67	1.45	4.4	14634	326	48	0.90	5.1	12569	280	60	1.05	5.8	11088	247	62	1.20	6.7	9606	214	65	1.40	7.6	8484	189	66	1.60	9.1	7138	159	67	1.80																																																																																																																																																																																																																																																																																																																																																																																																																																																																																																																																
5.4	11941	266	128	3.1	1.9	34476	768	128	1.1	2.0	31872	710	128	1.1	2.3	27877	621	128	1.3	2.6	25273	563	128	1.4	3.0	21592	481	128	1.7	3.0	21413	477	128	1.7	3.5	18315	408	128	2.0	4.0	15981	356	128	2.3	4.9	13243	295	128	2.8	2.9	22580	503	54	0.80	3.3	19392	432	59	0.95	3.8	16924	377	62	1.10	4.3	15038	335	64	1.20	4.8	13602	303	66	1.30	5.2	12524	279	67	1.45	4.4	14634	326	48	0.90	5.1	12569	280	60	1.05	5.8	11088	247	62	1.20	6.7	9606	214	65	1.40	7.6	8484	189	66	1.60	9.1	7138	159	67	1.80																																																																																																																																																																																																																																																																																																																																																																																																																																																																																																																																					
1.9	34476	768	128	1.1	2.0	31872	710	128	1.1	2.3	27877	621	128	1.3	2.6	25273	563	128	1.4	3.0	21592	481	128	1.7	3.0	21413	477	128	1.7	3.5	18315	408	128	2.0	4.0	15981	356	128	2.3	4.9	13243	295	128	2.8	2.9	22580	503	54	0.80	3.3	19392	432	59	0.95	3.8	16924	377	62	1.10	4.3	15038	335	64	1.20	4.8	13602	303	66	1.30	5.2	12524	279	67	1.45	4.4	14634	326	48	0.90	5.1	12569	280	60	1.05	5.8	11088	247	62	1.20	6.7	9606	214	65	1.40	7.6	8484	189	66	1.60	9.1	7138	159	67	1.80																																																																																																																																																																																																																																																																																																																																																																																																																																																																																																																																										
2.0	31872	710	128	1.1	2.3	27877	621	128	1.3	2.6	25273	563	128	1.4	3.0	21592	481	128	1.7	3.0	21413	477	128	1.7	3.5	18315	408	128	2.0	4.0	15981	356	128	2.3	4.9	13243	295	128	2.8	2.9	22580	503	54	0.80	3.3	19392	432	59	0.95	3.8	16924	377	62	1.10	4.3	15038	335	64	1.20	4.8	13602	303	66	1.30	5.2	12524	279	67	1.45	4.4	14634	326	48	0.90	5.1	12569	280	60	1.05	5.8	11088	247	62	1.20	6.7	9606	214	65	1.40	7.6	8484	189	66	1.60	9.1	7138	159	67	1.80																																																																																																																																																																																																																																																																																																																																																																																																																																																																																																																																															
2.3	27877	621	128	1.3	2.6	25273	563	128	1.4	3.0	21592	481	128	1.7	3.0	21413	477	128	1.7	3.5	18315	408	128	2.0	4.0	15981	356	128	2.3	4.9	13243	295	128	2.8	2.9	22580	503	54	0.80	3.3	19392	432	59	0.95	3.8	16924	377	62	1.10	4.3	15038	335	64	1.20	4.8	13602	303	66	1.30	5.2	12524	279	67	1.45	4.4	14634	326	48	0.90	5.1	12569	280	60	1.05	5.8	11088	247	62	1.20	6.7	9606	214	65	1.40	7.6	8484	189	66	1.60	9.1	7138	159	67	1.80																																																																																																																																																																																																																																																																																																																																																																																																																																																																																																																																																				
2.6	25273	563	128	1.4	3.0	21592	481	128	1.7	3.0	21413	477	128	1.7	3.5	18315	408	128	2.0	4.0	15981	356	128	2.3	4.9	13243	295	128	2.8	2.9	22580	503	54	0.80	3.3	19392	432	59	0.95	3.8	16924	377	62	1.10	4.3	15038	335	64	1.20	4.8	13602	303	66	1.30	5.2	12524	279	67	1.45	4.4	14634	326	48	0.90	5.1	12569	280	60	1.05	5.8	11088	247	62	1.20	6.7	9606	214	65	1.40	7.6	8484	189	66	1.60	9.1	7138	159	67	1.80																																																																																																																																																																																																																																																																																																																																																																																																																																																																																																																																																									
3.0	21592	481	128	1.7	3.0	21413	477	128	1.7	3.5	18315	408	128	2.0	4.0	15981	356	128	2.3	4.9	13243	295	128	2.8	2.9	22580	503	54	0.80	3.3	19392	432	59	0.95	3.8	16924	377	62	1.10	4.3	15038	335	64	1.20	4.8	13602	303	66	1.30	5.2	12524	279	67	1.45	4.4	14634	326	48	0.90	5.1	12569	280	60	1.05	5.8	11088	247	62	1.20	6.7	9606	214	65	1.40	7.6	8484	189	66	1.60	9.1	7138	159	67	1.80																																																																																																																																																																																																																																																																																																																																																																																																																																																																																																																																																														
3.0	21413	477	128	1.7	3.5	18315	408	128	2.0	4.0	15981	356	128	2.3	4.9	13243	295	128	2.8	2.9	22580	503	54	0.80	3.3	19392	432	59	0.95	3.8	16924	377	62	1.10	4.3	15038	335	64	1.20	4.8	13602	303	66	1.30	5.2	12524	279	67	1.45	4.4	14634	326	48	0.90	5.1	12569	280	60	1.05	5.8	11088	247	62	1.20	6.7	9606	214	65	1.40	7.6	8484	189	66	1.60	9.1	7138	159	67	1.80																																																																																																																																																																																																																																																																																																																																																																																																																																																																																																																																																																			
3.5	18315	408	128	2.0	4.0	15981	356	128	2.3	4.9	13243	295	128	2.8	2.9	22580	503	54	0.80	3.3	19392	432	59	0.95	3.8	16924	377	62	1.10	4.3	15038	335	64	1.20	4.8	13602	303	66	1.30	5.2	12524	279	67	1.45	4.4	14634	326	48	0.90	5.1	12569	280	60	1.05	5.8	11088	247	62	1.20	6.7	9606	214	65	1.40	7.6	8484	189	66	1.60	9.1	7138	159	67	1.80																																																																																																																																																																																																																																																																																																																																																																																																																																																																																																																																																																								
4.0	15981	356	128	2.3	4.9	13243	295	128	2.8	2.9	22580	503	54	0.80	3.3	19392	432	59	0.95	3.8	16924	377	62	1.10	4.3	15038	335	64	1.20	4.8	13602	303	66	1.30	5.2	12524	279	67	1.45	4.4	14634	326	48	0.90	5.1	12569	280	60	1.05	5.8	11088	247	62	1.20	6.7	9606	214	65	1.40	7.6	8484	189	66	1.60	9.1	7138	159	67	1.80																																																																																																																																																																																																																																																																																																																																																																																																																																																																																																																																																																													
4.9	13243	295	128	2.8	2.9	22580	503	54	0.80	3.3	19392	432	59	0.95	3.8	16924	377	62	1.10	4.3	15038	335	64	1.20	4.8	13602	303	66	1.30	5.2	12524	279	67	1.45	4.4	14634	326	48	0.90	5.1	12569	280	60	1.05	5.8	11088	247	62	1.20	6.7	9606	214	65	1.40	7.6	8484	189	66	1.60	9.1	7138	159	67	1.80																																																																																																																																																																																																																																																																																																																																																																																																																																																																																																																																																																																		
2.9	22580	503	54	0.80	3.3	19392	432	59	0.95	3.8	16924	377	62	1.10	4.3	15038	335	64	1.20	4.8	13602	303	66	1.30	5.2	12524	279	67	1.45	4.4	14634	326	48	0.90	5.1	12569	280	60	1.05	5.8	11088	247	62	1.20	6.7	9606	214	65	1.40	7.6	8484	189	66	1.60	9.1	7138	159	67	1.80																																																																																																																																																																																																																																																																																																																																																																																																																																																																																																																																																																																							
3.3	19392	432	59	0.95	3.8	16924	377	62	1.10	4.3	15038	335	64	1.20	4.8	13602	303	66	1.30	5.2	12524	279	67	1.45	4.4	14634	326	48	0.90	5.1	12569	280	60	1.05	5.8	11088	247	62	1.20	6.7	9606	214	65	1.40	7.6	8484	189	66	1.60	9.1	7138	159	67	1.80																																																																																																																																																																																																																																																																																																																																																																																																																																																																																																																																																																																												
3.8	16924	377	62	1.10	4.3	15038	335	64	1.20	4.8	13602	303	66	1.30	5.2	12524	279	67	1.45	4.4	14634	326	48	0.90	5.1	12569	280	60	1.05	5.8	11088	247	62	1.20	6.7	9606	214	65	1.40	7.6	8484	189	66	1.60	9.1	7138	159	67	1.80																																																																																																																																																																																																																																																																																																																																																																																																																																																																																																																																																																																																	
4.3	15038	335	64	1.20	4.8	13602	303	66	1.30	5.2	12524	279	67	1.45	4.4	14634	326	48	0.90	5.1	12569	280	60	1.05	5.8	11088	247	62	1.20	6.7	9606	214	65	1.40	7.6	8484	189	66	1.60	9.1	7138	159	67	1.80																																																																																																																																																																																																																																																																																																																																																																																																																																																																																																																																																																																																						
4.8	13602	303	66	1.30	5.2	12524	279	67	1.45	4.4	14634	326	48	0.90	5.1	12569	280	60	1.05	5.8	11088	247	62	1.20	6.7	9606	214	65	1.40	7.6	8484	189	66	1.60	9.1	7138	159	67	1.80																																																																																																																																																																																																																																																																																																																																																																																																																																																																																																																																																																																																											
5.2	12524	279	67	1.45	4.4	14634	326	48	0.90	5.1	12569	280	60	1.05	5.8	11088	247	62	1.20	6.7	9606	214	65	1.40	7.6	8484	189	66	1.60	9.1	7138	159	67	1.80																																																																																																																																																																																																																																																																																																																																																																																																																																																																																																																																																																																																																
4.4	14634	326	48	0.90	5.1	12569	280	60	1.05	5.8	11088	247	62	1.20	6.7	9606	214	65	1.40	7.6	8484	189	66	1.60	9.1	7138	159	67	1.80																																																																																																																																																																																																																																																																																																																																																																																																																																																																																																																																																																																																																					
5.1	12569	280	60	1.05	5.8	11088	247	62	1.20	6.7	9606	214	65	1.40	7.6	8484	189	66	1.60	9.1	7138	159	67	1.80																																																																																																																																																																																																																																																																																																																																																																																																																																																																																																																																																																																																																										
5.8	11088	247	62	1.20	6.7	9606	214	65	1.40	7.6	8484	189	66	1.60	9.1	7138	159	67	1.80																																																																																																																																																																																																																																																																																																																																																																																																																																																																																																																																																																																																																															
6.7	9606	214	65	1.40	7.6	8484	189	66	1.60	9.1	7138	159	67	1.80																																																																																																																																																																																																																																																																																																																																																																																																																																																																																																																																																																																																																																				
7.6	8484	189	66	1.60	9.1	7138	159	67	1.80																																																																																																																																																																																																																																																																																																																																																																																																																																																																																																																																																																																																																																									
9.1	7138	159	67	1.80																																																																																																																																																																																																																																																																																																																																																																																																																																																																																																																																																																																																																																														

选型参数表

(恒功率) 7.5kW

Selection Table

(Constant Power) 7.5kW

n _a [r/min]	M _a [Nm]	i	F _{Ra} [kN]	f _B	机型号 Type size	极数 Pole	n _a [r/min]	M _a [Nm]	i	F _{Ra} [kN]	f _B	机型号 Type size	极数 Pole		
7.5kW							7.5kW								
3.7	18342	194.08	128	1.85			34	2021	42.78	20	1.40				
4.0	16812	177.89	128	2.00	GR179	8P	39	1754	37.13	20	1.60	GR99	4P		
4.6	14645	154.96	128	2.25	GRF179		43	1571	33.25	19	1.75	GRF99			
5.2	12976	137.30	128	2.55			52	1303	27.58	18	1.95				
3.1	21709	229.71	114	0.80				45	1514	32.05	19	1.60			
3.9	17666	186.93	114	0.95	GR169	8P	53	1285	27.19	18	1.90		4P		
4.7	14466	153.07	114	1.20	GRF169		58	1183	25.03	18	2.30	GR99			
5.1	13229	139.98	114	1.30			64	1057	22.37	17	2.40	GRF99			
5.9	11512	121.81	114	1.50			71	952	20.14	17	2.60				
4.2	16114	229.71	114	1.05			79	862	18.24	17	2.70				
5.2	13113	186.93	114	1.30			89	764	16.17	17	3.00				
6.3	10738	153.07	114	1.60			98	691	14.62	17	3.40				
6.9	9819	139.98	114	1.70	GR169	6P	39	1748	37.00	11	0.85	GR89	4P		
8.0	8545	121.81	114	2.00	GRF169		44	1550	32.80	15	0.95	GRF89			
9.0	7540	107.49	114	2.20			51	1323	28.00	14	1.05				
10	6537	93.19	114	2.60			52	1321	27.96	14	1.10				
12	5816	82.91	114	2.90				61	1111	23.51	14	1.30			
13	5170	73.70	114	3.30				67	1021	21.60	14	1.40			
14	4728	67.40	114	3.60				75	906	19.18	13	1.50			
4.4	15434	163.31	31	0.80				84	810	17.15	13	1.65			
4.9	13884	146.91	52	0.90	GR149	8P	93	729	15.42	12	1.75				
6.0	11327	119.86	61	1.10	GRF149		108	632	13.38	12	1.90	GR89	4P		
6.6	10330	109.31	63	1.20			120	566	11.98	12	2.10	GRF89			
5.9	11456	163.31	61	1.05				145	470	9.94	11	2.40			
6.6	10305	146.91	63	1.20			157	432	9.15	11	2.60				
8.1	8408	119.86	66	1.45	GR149	6P	175	389	8.23	11	2.80				
8.9	7668	109.31	67	1.60	GRF149		202	337	7.14	11	3.00				
10	6636	94.60	68	1.85				225	302	6.39	10	3.20			
12	5855	83.47	68	2.10				271	251	5.31	10	3.40			
7.6	8905	188.45	43	0.85			77	888	18.80	5.0	0.85				
8.3	8241	174.40	48	0.90			81	842	17.82	5.4	0.85				
9.2	7386	156.31	51	1.00			92	737	15.60	6.3	0.95				
10	6668	141.12	52	1.15			102	664	14.05	6.8	1.00				
11	6057	128.18	54	1.25			117	583	12.33	7.4	1.10				
13	5374	113.72	55	1.40	GR139	4P	132	514	10.88	7.6	1.20	GR79	4P		
14	4876	103.20	55	1.55	GRF139		149	456	9.64	7.4	1.30	GRF79			
16	4191	88.70	56	1.80			168	406	8.59	7.2	1.45				
18	3823	80.91	57	1.95			186	366	7.74	7.2	1.55				
20	3473	73.49	57	2.20			212	321	6.79	7.0	1.70				
22	3081	65.20	57	2.50			240	283	5.99	6.8	1.80				
24	2796	59.17	57	2.70			271	251	5.31	6.5	1.90				
28	2403	50.86	58	3.10				113	600	12.70	4.0	0.80			
32	2098	44.39	57	3.50				125	545	11.54	4.6	0.85			
16	4380	92.70	26	0.95				144	473	10.00	5.3	0.95			
18	3713	78.57	30	1.10				166	411	8.70	5.6	1.00			
20	3444	72.88	30	1.20				185	368	7.79	5.2	0.95		GR69	4P
22	3100	65.60	29	1.30			196	348	7.36	5.4	1.00	GRF69			
24	2807	59.41	29	1.45	GR109	4P	230	296	6.27	5.3	1.05				
27	2489	52.68	28	1.65	GRF109		253	269	5.70	5.2	1.10				
30	2251	47.63	27	1.80			292	233	4.93	5.0	1.15				
36	1908	40.37	26	2.10			336	203	4.29	4.9	1.25				
41	1666	35.26	25	2.40				181	377	7.97	0.9	0.90			
49	1393	29.49	24	2.90				191	356	7.53	1.2	0.95			
47	1454	30.77	24	2.80				225	303	6.41	1.9	1.05	GR59	4P	
52	1303	27.58	23	3.10	GR109		247	275	5.82	2.3	1.10	GRF59			
58	1177	24.90	23	3.50	GRF109	285	239	5.05	2.6	1.20					
64	1069	22.62	22	3.80		328	207	4.39	2.6	1.25					
24	2831	59.92	19	1.00	GR99	4P	196	347	14.77	2.5	1.20				
27	2514	53.21	21	1.15	GRF99		208	327	13.95	2.6	1.25	GR59	2P		
30	2248	47.58	21	1.25			244	279	11.88	2.6	1.40	GRF59			
							269	253	10.79	2.6	1.45				

选型参数表
(恒功率) 7.5kW-11kW
Selection Table
(Constant Power) 7.5kW-11kW

n_a [r/min]	M_a [Nm]	i	F_{Ra} [kN]	f_B	机型号 Type size	极数 Pole	n_a [r/min]	M_a [Nm]	i	F_{Ra} [kN]	f_B	机型号 Type size	极数 Pole																																																																																																																																																																																																																																																																																																																																																																																																																																																																																																																																																										
7.5kW							11kW																																																																																																																																																																																																																																																																																																																																																																																																																																																																																																																																																																
310	219	9.35	2.6	1.60	GR59 GRF59	2P	4.9	19156	295	114	0.90	GR169R109 GRF169R109	4P																																																																																																																																																																																																																																																																																																																																																																																																																																																																																																																																																										
364	187	7.97	2.5	1.80			385	177	7.53	2.5	1.90			452	150	6.41	2.4	2.10	498	137	5.82	2.4	2.20	574	118	5.05	2.3	2.50	661	103	4.39	2.3	2.60	221	316	6.52	16	3.55	GRX139 GRXF139	4P	5.0	18897	291	114	0.95	GR169R109 GRF169R109	4P	245	285	5.87	16	4.60	217	322	6.63	10	1.40	GRX109 GRXF109	4P	4.4	21754	335	114	0.80	GR169R99 GRF169R99	4P	257	272	5.61	9.2	1.60	277	252	5.19	9.0	2.70	310	226	4.65	8.7	3.00	343	204	4.20	8.5	3.90	249	281	5.79	7.7	1.45	GRX99 GRXF99	4P	4.8	19676	303	114	0.90	GR149R89 GRF149R89	4P	293	238	4.91	7.4	1.60	319	219	4.52	7.2	2.60	356	196	4.04	7.0	2.90	396	177	3.64	6.8	3.30	436	160	3.30	6.6	3.60	493	142	2.92	6.4	4.10	320	218	4.50	5.5	1.30	GRX89 GRXF89	4P	5.2	19968	194.08	128	1.70	GR179 GRF179	8P	381	183	3.78	5.3	1.60	414	169	3.48	5.1	2.30	466	150	3.09	5.0	2.60	522	134	2.76	4.9	2.90	581	120	2.48	4.7	3.30	670	104	2.15	4.5	3.60	746	94	1.93	4.4	3.70	GRX79 GRXF79	4P	5.5	18302	177.89	128	1.85	GR179 GRF179	6P	900	78	1.60	4.2	3.90	1036	67	1.39	4.0	4.20	443	158	3.25	3.6	1.10	468	149	3.08	3.7	1.25	533	131	2.70	3.6	1.60	593	118	2.43	3.5	1.75	GRX69 GRXF69	4P	6.3	15943	154.96	128	2.05	GR169 GRF169	6P	676	103	2.13	3.4	1.85	766	91	1.88	3.3	2.00	862	81	1.67	3.2	2.10	1014	69	1.42	3.1	2.20	567	123	2.54	1.4	0.95	GR169 GRF169	4P	6.4	15702	137.3	128	1.75	GR179 GRF179	4P	600	116	2.40	1.5	1.00	706	99	2.04	1.7	1.30	774	90	1.86	1.8	1.35	894	78	1.61	2.0	1.40	1029	68	1.40	2.0	1.50	11kW							5.2	19232	186.93	114	0.90	GR169 GRF169	6P	2.5	38313	590	128	1.0	3.0	31949	492	128	1.1	3.2	29222	450	128	1.3	3.6	26170	403	128	1.4	4.0	23637	364	128	1.5	4.4	21494	331	128	1.7	5.0	19026	293	128	1.9	5.5	17273	266	128	2.1	6.4	14871	229	128	2.5	7.3	12987	200	128	2.8	2.4	40326	621	128	0.9	2.6	36559	563	128	1.0	3.0	31235	481	128	1.2	3.1	30975	477	128	1.2	3.6	26494	408	128	1.4	4.1	23117	356	128	1.6	4.9	19156	295	128	1.9	6.6	15115	146.91	34	0.80	8.1	12332	119.86	59	1.00	8.9	11246	109.31	61	1.10	10	9733	94.60	64	1.25	12	8588	83.47	66	1.40	8.9	11163	163.31	61	1.10	9.9	10042	146.91	63	1.20	12	8193	119.86	65	1.50	13	7472	109.31	66	1.65	15	6466	94.60	67	1.90	17	5706	83.47	68	2.10	20	4928	72.09	69	2.50	22	4579	66.99	69	2.70	24	4176	61.09	70	2.90	28	3614	52.87	70	3.40	10	9646	141.12	22	0.80	11	8762	128.18	45	0.85	13	7773	113.72	50	0.95	14	7054	103.20	52	1.05	16	6063	88.70	53	1.25	GR179R109 GRF179R109							GR149 GRF149							GR179R99 GRF179R99							GR139 GRF139																																												
385	177	7.53	2.5	1.90			452	150	6.41	2.4	2.10			498	137	5.82	2.4	2.20	574	118	5.05	2.3	2.50	661	103	4.39	2.3	2.60	221	316	6.52	16	3.55	GRX139 GRXF139	4P	5.0	18897	291			114	0.95	GR169R109 GRF169R109	4P	245			285	5.87	16	4.60	217	322	6.63	10	1.40	GRX109 GRXF109			4P	4.4	21754	335	114			0.80	GR169R99 GRF169R99	4P	257	272	5.61	9.2	1.60	277	252	5.19	9.0	2.70	310	226	4.65	8.7	3.00	343	204	4.20	8.5	3.90	249	281			5.79	7.7	1.45	GRX99 GRXF99	4P			4.8	19676	303	114	0.90	GR149R89 GRF149R89	4P	293	238	4.91	7.4	1.60	319	219	4.52	7.2	2.60	356	196	4.04	7.0	2.90	396	177	3.64	6.8	3.30	436	160	3.30	6.6	3.60	493	142	2.92			6.4	4.10	320	218	4.50			5.5	1.30	GRX89 GRXF89	4P	5.2	19968	194.08	128	1.70	GR179 GRF179	8P	381	183	3.78	5.3	1.60	414	169	3.48	5.1	2.30	466	150	3.09	5.0	2.60	522	134	2.76	4.9	2.90	581	120	2.48	4.7			3.30	670	104	2.15	4.5			3.60	746	94	1.93	4.4	3.70	GRX79 GRXF79	4P	5.5	18302	177.89	128	1.85	GR179 GRF179	6P	900	78	1.60	4.2	3.90	1036	67	1.39	4.0	4.20	443	158	3.25	3.6	1.10			468	149	3.08	3.7	1.25			533	131	2.70	3.6	1.60	593	118	2.43	3.5	1.75	GRX69 GRXF69	4P	6.3	15943	154.96	128	2.05	GR169 GRF169	6P	676	103	2.13	3.4	1.85	766			91	1.88	3.3	2.00	862			81	1.67	3.2	2.10	1014	69	1.42	3.1	2.20	567	123	2.54	1.4	0.95	GR169 GRF169	4P	6.4	15702	137.3	128	1.75	GR179 GRF179	4P	600	116	2.40	1.5	1.00	706	99	2.04	1.7	1.30	774	90	1.86	1.8			1.35	894	78	1.61	2.0	1.40	1029	68	1.40	2.0	1.50	11kW							5.2	19232	186.93	114	0.90	GR169 GRF169	6P	2.5	38313	590	128	1.0	3.0	31949	492	128	1.1	3.2	29222	450	128	1.3	3.6	26170	403	128	1.4	4.0	23637	364	128	1.5	4.4	21494	331	128	1.7	5.0	19026	293	128	1.9	5.5	17273	266	128	2.1	6.4	14871	229	128	2.5	7.3	12987	200	128	2.8	2.4	40326	621	128	0.9	2.6	36559	563	128	1.0	3.0	31235	481	128	1.2	3.1	30975	477	128	1.2	3.6	26494	408	128	1.4	4.1	23117	356	128	1.6	4.9	19156	295	128	1.9	6.6	15115	146.91	34	0.80	8.1	12332	119.86	59	1.00	8.9	11246	109.31	61	1.10	10	9733	94.60	64	1.25	12	8588	83.47	66	1.40	8.9	11163	163.31	61	1.10	9.9	10042	146.91	63	1.20	12	8193	119.86	65	1.50	13	7472	109.31	66	1.65	15	6466	94.60	67	1.90	17	5706	83.47	68	2.10	20	4928	72.09	69	2.50	22	4579	66.99	69	2.70	24	4176	61.09	70	2.90	28	3614	52.87	70	3.40	10	9646	141.12	22	0.80	11	8762	128.18	45	0.85	13	7773	113.72	50	0.95	14	7054	103.20	52	1.05	16	6063	88.70	53	1.25	GR179R109 GRF179R109							GR149 GRF149							GR179R99 GRF179R99							GR139 GRF139																			
452	150	6.41	2.4	2.10			498	137	5.82	2.4	2.20			574	118	5.05	2.3	2.50	661	103	4.39	2.3	2.60	221	316	6.52	16	3.55	GRX139 GRXF139	4P	5.0	18897	291			114	0.95	GR169R109 GRF169R109	4P	245	285	5.87			16	4.60	217	322	6.63	10	1.40	GRX109 GRXF109	4P	4.4	21754	335					114	0.80	GR169R99 GRF169R99	4P			257			272	5.61	9.2	1.60	277	252	5.19	9.0	2.70	310	226	4.65	8.7	3.00	343	204	4.20	8.5	3.90	249	281	5.79			7.7	1.45	GRX99 GRXF99					4P	4.8	19676	303	114			0.90	GR149R89 GRF149R89	4P	293	238	4.91	7.4	1.60	319	219	4.52	7.2	2.60	356	196	4.04	7.0	2.90	396	177	3.64	6.8	3.30	436	160	3.30	6.6	3.60			493	142	2.92	6.4	4.10			320	218			4.50	5.5	1.30	GRX89 GRXF89	4P			5.2	19968	194.08	128	1.70	GR179 GRF179	8P	381	183	3.78	5.3	1.60	414	169	3.48	5.1	2.30	466	150	3.09	5.0	2.60	522	134			2.76	4.9	2.90	581	120			2.48	4.7	3.30	670	104	2.15			4.5	3.60	746	94	1.93			4.4	3.70	GRX79 GRXF79	4P	5.5	18302	177.89	128	1.85	GR179 GRF179	6P	900	78	1.60	4.2			3.90	1036	67	1.39	4.0			4.20	443	158	3.25	3.6	1.10	468	149	3.08	3.7			1.25	533	131	2.70	3.6			1.60	593	118	2.43	3.5	1.75			GRX69 GRXF69	4P	6.3	15943	154.96			128	2.05	GR169 GRF169	6P	676	103	2.13	3.4	1.85	766	91	1.88	3.3	2.00			862	81	1.67	3.2	2.10			1014	69	1.42	3.1	2.20	567	123	2.54	1.4	0.95	GR169 GRF169	4P	6.4	15702			137.3	128	1.75	GR179 GRF179	4P	600	116	2.40	1.5	1.00	706	99	2.04	1.7	1.30	774	90	1.86	1.8	1.35	894	78	1.61			2.0	1.40	1029	68	1.40	2.0	1.50	11kW							5.2	19232	186.93	114	0.90	GR169 GRF169	6P	2.5	38313	590	128	1.0	3.0	31949	492	128	1.1	3.2	29222	450	128	1.3	3.6	26170	403	128	1.4	4.0	23637	364	128	1.5	4.4	21494	331	128	1.7	5.0	19026	293	128	1.9	5.5	17273	266	128	2.1	6.4	14871	229	128	2.5	7.3	12987	200	128	2.8	2.4	40326	621	128	0.9	2.6	36559	563	128	1.0	3.0	31235	481	128	1.2	3.1	30975	477	128	1.2	3.6	26494	408	128	1.4	4.1	23117	356	128	1.6	4.9	19156	295	128	1.9	6.6	15115	146.91	34	0.80	8.1	12332	119.86	59	1.00	8.9	11246	109.31	61	1.10	10	9733	94.60	64	1.25	12	8588	83.47	66	1.40	8.9	11163	163.31	61	1.10	9.9	10042	146.91	63	1.20	12	8193	119.86	65	1.50	13	7472	109.31	66	1.65	15	6466	94.60	67	1.90	17	5706	83.47	68	2.10	20	4928	72.09	69	2.50	22	4579	66.99	69	2.70	24	4176	61.09	70	2.90	28	3614	52.87	70	3.40	10	9646	141.12	22	0.80	11	8762	128.18	45	0.85	13	7773	113.72	50	0.95	14	7054	103.20	52	1.05	16	6063	88.70	53	1.25	GR179R109 GRF179R109							GR149 GRF149							GR179R99 GRF179R99					
498	137	5.82	2.4	2.20			574	118	5.05	2.3	2.50			661	103	4.39	2.3	2.60	221	316	6.52	16	3.55	GRX139 GRXF139	4P	5.0	18897	291			114	0.95	GR169R109 GRF169R109	4P	245	285	5.87			16	4.60	217	322	6.63	10	1.40	GRX109 GRXF109	4P	4.4	21754	335			114	0.80	GR169R99 GRF169R99					4P	257			272	5.61	9.2			1.60	277	252	5.19	9.0	2.70	310	226	4.65	8.7	3.00	343	204	4.20	8.5	3.90	249	281	5.79	7.7	1.45	GRX99 GRXF99			4P	4.8				19676	303		114	0.90	GR149R89 GRF149R89	4P			293			238	4.91	7.4	1.60	319	219	4.52	7.2	2.60	356	196	4.04	7.0	2.90	396	177	3.64	6.8	3.30	436	160	3.30	6.6	3.60	493			142	2.92	6.4	4.10	320	218	4.50	5.5	1.30			GRX89 GRXF89	4P	5.2					19968	194.08	128	1.70	GR179 GRF179			8P	381	183	3.78	5.3	1.60	414	169	3.48	5.1	2.30	466	150	3.09	5.0	2.60	522			134	2.76	4.9	2.90	581	120	2.48	4.7	3.30	670	104	2.15	4.5			3.60	746	94	1.93	4.4			3.70	GRX79 GRXF79			4P	5.5	18302	177.89	128			1.85	GR179 GRF179	6P	900			78	1.60	4.2	3.90	1036	67	1.39	4.0	4.20	443	158	3.25	3.6	1.10	468	149	3.08			3.7	1.25	533	131	2.70			3.6	1.60	593	118	2.43	3.5					1.75	GRX69 GRXF69	4P	6.3	15943	154.96	128			2.05	GR169 GRF169	6P	676	103	2.13	3.4	1.85	766	91			1.88	3.3	2.00	862	81			1.67	3.2	2.10	1014	69	1.42	3.1	2.20	567	123			2.54	1.4	0.95	GR169 GRF169	4P	6.4	15702			137.3	128	1.75	GR179 GRF179	4P	600	116	2.40	1.5	1.00	706	99	2.04	1.7	1.30	774	90	1.86			1.8	1.35	894	78	1.61	2.0	1.40	1029	68	1.40	2.0	1.50	11kW									5.2	19232	186.93	114	0.90	GR169 GRF169	6P	2.5	38313	590	128	1.0	3.0	31949	492	128	1.1	3.2	29222	450	128	1.3	3.6	26170	403	128	1.4	4.0	23637	364	128	1.5	4.4	21494	331	128	1.7	5.0	19026	293	128	1.9	5.5	17273	266	128	2.1	6.4	14871	229	128	2.5	7.3	12987	200	128	2.8	2.4	40326	621	128	0.9	2.6	36559	563	128	1.0	3.0	31235	481	128	1.2	3.1	30975	477	128	1.2	3.6	26494	408	128	1.4	4.1	23117	356	128	1.6	4.9	19156	295	128	1.9	6.6	15115	146.91	34	0.80	8.1	12332	119.86	59	1.00	8.9	11246	109.31	61	1.10	10	9733	94.60	64	1.25	12	8588	83.47	66	1.40	8.9	11163	163.31	61	1.10	9.9	10042	146.91	63	1.20	12	8193	119.86	65	1.50	13	7472	109.31	66	1.65	15	6466	94.60	67	1.90	17	5706	83.47	68	2.10	20	4928	72.09	69	2.50	22	4579	66.99	69	2.70	24	4176	61.09	70	2.90	28	3614	52.87	70	3.40	10	9646	141.12	22	0.80	11	8762	128.18	45	0.85	13	7773	113.72	50	0.95	14	7054	103.20	52	1.05	16	6063	88.70	53	1.25	GR179R109 GRF179R109							GR149 GRF149					
574	118	5.05	2.3	2.50			661	103	4.39	2.3	2.60			221	316	6.52	16	3.55	GRX139 GRXF139	4P	5.0	18897	291			114	0.95	GR169R109 GRF169R109	4P	245	285	5.87			16	4.60	217	322	6.63	10	1.40	GRX109 GRXF109	4P	4.4	21754	335			114	0.80	GR169R99 GRF169R99			4P	257							272			5.61	9.2	1.60	277	252	5.19	9.0	2.70	310	226	4.65	8.7	3.00	343	204	4.20	8.5	3.90	249	281	5.79	7.7	1.45	GRX99 GRXF99	4P	4.8					19676				303	114		0.90	GR149R89 GRF149R89			4P	293	238			4.91	7.4	1.60	319	219	4.52	7.2	2.60	356	196	4.04	7.0	2.90	396	177	3.64	6.8	3.30	436	160	3.30	6.6	3.60	493	142			2.92	6.4	4.10	320	218	4.50	5.5	1.30	GRX89 GRXF89					4P			5.2	19968	194.08	128	1.70	GR179 GRF179					8P	381	183	3.78	5.3	1.60	414	169	3.48	5.1	2.30	466	150	3.09	5.0	2.60			522	134	2.76	4.9	2.90	581	120	2.48	4.7	3.30	670	104	2.15			4.5	3.60	746	94	1.93	4.4	3.70	GRX79 GRXF79					4P	5.5	18302	177.89			128			1.85			GR179 GRF179	6P	900	78	1.60	4.2	3.90	1036	67	1.39	4.0	4.20	443	158	3.25	3.6	1.10			468	149	3.08	3.7	1.25	533	131	2.70	3.6	1.60	593	118	2.43					3.5			1.75	GRX69 GRXF69	4P	6.3			15943			154.96	128	2.05	GR169 GRF169	6P	676	103			2.13	3.4	1.85	766	91	1.88	3.3	2.00	862	81	1.67	3.2	2.10	1014	69	1.42	3.1			2.20	567	123			2.54	1.4			0.95	GR169 GRF169	4P			6.4	15702	137.3	128	1.75	GR179 GRF179	4P	600	116	2.40	1.5	1.00	706	99	2.04	1.7	1.30	774	90	1.86	1.8	1.35	894	78	1.61	2.0	1.40	1029	68	1.40	2.0	1.50	11kW							5.2	19232			186.93	114	0.90	GR169 GRF169	6P	2.5	38313	590	128	1.0	3.0	31949	492	128	1.1	3.2	29222	450	128	1.3	3.6	26170	403	128	1.4	4.0	23637	364	128	1.5	4.4	21494	331	128	1.7	5.0	19026	293	128	1.9	5.5	17273	266	128	2.1	6.4	14871	229	128	2.5	7.3	12987	200	128	2.8	2.4	40326	621	128	0.9	2.6	36559	563	128	1.0	3.0	31235	481	128	1.2	3.1	30975	477	128	1.2	3.6	26494	408	128	1.4	4.1	23117	356	128	1.6	4.9	19156	295	128	1.9	6.6	15115	146.91	34	0.80	8.1	12332	119.86	59	1.00	8.9	11246	109.31	61	1.10	10	9733	94.60	64	1.25	12	8588	83.47	66	1.40	8.9	11163	163.31	61	1.10	9.9	10042	146.91	63	1.20	12	8193	119.86	65	1.50	13	7472	109.31	66	1.65	15	6466	94.60	67	1.90	17	5706	83.47	68	2.10	20	4928	72.09	69	2.50	22	4579	66.99	69	2.70	24	4176	61.09	70	2.90	28	3614	52.87	70	3.40	10	9646	141.12	22	0.80	11	8762	128.18	45	0.85	13	7773	113.72	50	0.95	14	7054	103.20	52	1.05	16	6063	88.70	53	1.25	GR179R109 GRF179R109							GR149 GRF149
661	103	4.39	2.3	2.60	221	316	6.52	16	3.55	GRX139 GRXF139	4P	5.0	18897	291	114	0.95	GR169R109 GRF169R109	4P			245	285	5.87	16	4.60	217	322			6.63	10	1.40	GRX109 GRXF109	4P	4.4	21754	335	114	0.80	GR169R99 GRF169R99	4P			257	272	5.61			9.2	1.60					277							252	5.19	9.0	2.70	310	226	4.65	8.7	3.00	343	204	4.20	8.5	3.90	249	281	5.79	7.7	1.45	GRX99 GRXF99	4P	4.8	19676	303	114	0.90			GR149R89 GRF149R89					4P				293	238		4.91					7.4	1.60	319	219	4.52	7.2	2.60	356	196	4.04	7.0	2.90	396	177	3.64	6.8	3.30	436	160	3.30	6.6	3.60	493	142	2.92	6.4	4.10	320	218			4.50	5.5	1.30	GRX89 GRXF89	4P	5.2	19968	194.08									128	1.70	GR179 GRF179	8P	381			183	3.78			5.3	1.60	414	169	3.48	5.1	2.30	466	150	3.09	5.0	2.60	522	134	2.76			4.9	2.90	581	120	2.48	4.7	3.30	670	104	2.15	4.5	3.60	746			94	1.93	4.4	3.70	GRX79 GRXF79	4P	5.5							18302	177.89	128	1.85	GR179 GRF179	6P			900					78	1.60	4.2	3.90	1036	67	1.39	4.0	4.20	443	158	3.25	3.6	1.10	468			149	3.08	3.7	1.25	533	131	2.70	3.6	1.60	593	118	2.43	3.5					1.75			GRX69 GRXF69			4P	6.3	15943	154.96			128	2.05	GR169 GRF169			6P	676			103	2.13	3.4	1.85	766	91	1.88	3.3	2.00	862	81	1.67	3.2	2.10	1014	69	1.42			3.1	2.20	567			123	2.54	1.4	0.95	GR169 GRF169					4P	6.4	15702	137.3	128			1.75	GR179 GRF179	4P	600	116	2.40	1.5	1.00	706	99	2.04	1.7	1.30	774	90	1.86	1.8	1.35	894	78	1.61	2.0	1.40	1029	68	1.40	2.0	1.50	11kW								5.2	19232	186.93			114	0.90	GR169 GRF169	6P	2.5	38313	590	128	1.0	3.0	31949	492	128	1.1	3.2	29222	450	128	1.3	3.6	26170	403	128	1.4	4.0	23637	364	128	1.5	4.4	21494	331	128	1.7	5.0	19026	293	128	1.9	5.5	17273	266	128	2.1	6.4	14871	229	128	2.5	7.3	12987	200	128	2.8	2.4	40326	621	128	0.9	2.6	36559	563	128	1.0	3.0	31235	481	128	1.2	3.1	30975	477	128	1.2	3.6	26494	408	128	1.4	4.1	23117	356	128	1.6	4.9	19156	295	128	1.9	6.6	15115	146.91	34	0.80	8.1	12332	119.86	59	1.00	8.9	11246	109.31	61	1.10	10	9733	94.60	64	1.25	12	8588	83.47	66	1.40	8.9	11163	163.31	61	1.10	9.9	10042	146.91	63	1.20	12	8193	119.86	65	1.50	13	7472	109.31	66	1.65	15	6466	94.60	67	1.90	17	5706	83.47	68	2.10	20	4928	72.09	69	2.50	22	4579	66.99	69	2.70	24	4176	61.09	70	2.90	28	3614	52.87	70	3.40	10	9646	141.12	22	0.80	11	8762	128.18	45	0.85	13	7773	113.72	50	0.95	14	7054	103.20	52	1.05	16	6063	88.70	53	1.25	GR179R109 GRF179R109			
221	316	6.52	16	3.55	GRX139 GRXF139	4P	5.0	18897	291			114	0.95	GR169R109 GRF169R109	4P																																																																																																																																																																																																																																																																																																																																																																																																																																																																																																																																																								
245	285	5.87	16	4.60			217	322	6.63	10	1.40	GRX109 GRXF109	4P			4.4	21754	335	114	0.80	GR169R99 GRF169R99	4P	257	272	5.61	9.2	1.60	277	252	5.19	9.0	2.70			310	226	4.65	8.7	3.00					343	204	4.20			8.5	3.90	249			281	5.79	7.7	1.45	GRX99 GRXF99	4P	4.8	19676	303	114	0.90	GR149R89 GRF149R89	4P	293	238	4.91	7.4	1.60	319	219	4.52	7.2	2.60	356	196	4.04	7.0			2.90	396	177	3.64	6.8					3.30	436				160	3.30	6.6	3.60		493	142	2.92	6.4	4.10	320	218	4.50	5.5	1.30	GRX89 GRXF89	4P	5.2	19968	194.08	128	1.70	GR179 GRF179	8P	381	183	3.78	5.3	1.60	414	169	3.48	5.1	2.30	466	150	3.09	5.0	2.60	522	134	2.76	4.9	2.90			581	120	2.48		4.7	3.30						670	104			2.15	4.5	3.60	746	94	1.93	4.4	3.70	GRX79 GRXF79	4P	5.5	18302	177.89	128	1.85	GR179 GRF179	6P	900	78	1.60	4.2	3.90	1036	67	1.39	4.0	4.20	443	158	3.25	3.6	1.10	468	149	3.08	3.7	1.25	533	131	2.70	3.6	1.60	593			118							2.43	3.5	1.75	GRX69 GRXF69			4P	6.3	15943	154.96	128	2.05	GR169 GRF169	6P	676	103	2.13	3.4	1.85	766	91	1.88	3.3	2.00	862	81	1.67	3.2	2.10	1014	69	1.42	3.1	2.20	567	123	2.54	1.4	0.95	GR169 GRF169	4P	6.4	15702	137.3	128			1.75							GR179 GRF179	4P	600	116	2.40	1.5	1.00		706	99		2.04	1.7	1.30	774	90	1.86	1.8	1.35	894	78	1.61	2.0	1.40	1029	68	1.40	2.0	1.50	11kW									5.2	19232	186.93	114				0.90	GR169 GRF169		6P	2.5	38313	590	128	1.0	3.0			31949	492	128	1.1	3.2	29222	450	128	1.3	3.6	26170	403	128	1.4	4.0	23637	364	128	1.5	4.4	21494	331	128	1.7	5.0	19026	293	128	1.9	5.5	17273	266	128	2.1	6.4	14871	229	128	2.5	7.3			12987	200	128	2.8	2.4	40326	621	128	0.9	2.6	36559	563	128	1.0	3.0	31235	481	128	1.2	3.1	30975	477	128	1.2	3.6	26494	408	128	1.4	4.1	23117	356	128	1.6	4.9	19156	295	128	1.9	6.6	15115	146.91	34	0.80	8.1	12332	119.86	59	1.00	8.9	11246	109.31	61	1.10	10	9733	94.60	64	1.25	12	8588	83.47	66	1.40	8.9	11163	163.31	61	1.10	9.9	10042	146.91	63	1.20	12	8193	119.86	65	1.50	13	7472	109.31	66	1.65	15	6466	94.60	67	1.90	17	5706	83.47	68	2.10	20	4928	72.09	69	2.50	22	4579	66.99	69	2.70	24	4176	61.09	70	2.90	28	3614	52.87	70	3.40	10	9646	141.12	22	0.80	11	8762	128.18	45	0.85	13	7773	113.72	50	0.95	14	7054	103.20	52	1.05	16	6063	88.70	53	1.25	GR179R109 GRF179R109							GR149 GRF149							GR179R99 GRF179R99							GR139 GRF139																												
217	322	6.63	10	1.40	GRX109 GRXF109	4P	4.4	21754	335	114	0.80			GR169R99 GRF169R99	4P																																																																																																																																																																																																																																																																																																																																																																																																																																																																																																																																																								
257	272	5.61	9.2	1.60			277	252	5.19	9.0	2.70					310	226	4.65	8.7	3.00			343	204	4.20	8.5	3.90	249	281	5.79	7.7	1.45			GRX99 GRXF99	4P	4.8	19676	303	114	0.90			GR149R89 GRF149R89	4P	293	238	4.91	7.4	1.60	319	219	4.52	7.2	2.60	356	196			4.04	7.0	2.90	396	177			3.64	6.8	3.30	436	160	3.30	6.6	3.60	493	142	2.92	6.4	4.10	320			218	4.50	5.5	1.30	GRX89 GRXF89			4P	5.2	19968	194.08	128	1.70	GR179 GRF179	8P	381	183	3.78	5.3	1.60	414	169	3.48	5.1	2.30	466	150	3.09	5.0			2.60	522	134	2.76	4.9			2.90	581	120	2.48	4.7	3.30	670	104	2.15	4.5	3.60	746	94	1.93	4.4	3.70	GRX79 GRXF79	4P	5.5	18302			177.89	128	1.85		GR179 GRF179	6P	900	78		1.60	4.2	3.90	1036	67	1.39	4.0	4.20	443	158	3.25	3.6	1.10	468			149	3.08	3.7	1.25	533			131	2.70	3.6	1.60	593	118	2.43	3.5	1.75	GRX69 GRXF69	4P	6.3	15943	154.96	128	2.05	GR169 GRF169	6P	676	103	2.13	3.4	1.85	766	91	1.88			3.3		2.00	862	81	1.67		3.2	2.10	1014		69	1.42		3.1	2.20	567	123	2.54			1.4	0.95	GR169 GRF169	4P	6.4	15702	137.3	128	1.75	GR179 GRF179	4P	600	116	2.40	1.5	1.00	706	99	2.04	1.7	1.30	774	90	1.86	1.8			1.35	894	78	1.61	2.0	1.40	1029	68	1.40							2.0	1.50	11kW							5.2	19232	186.93	114	0.90	GR169 GRF169	6P	2.5	38313	590	128	1.0	3.0	31949	492	128	1.1	3.2	29222	450	128	1.3	3.6	26170	403	128	1.4	4.0	23637	364	128				1.5				4.4	21494	331	128	1.7	5.0	19026	293	128	1.9	5.5	17273	266	128	2.1	6.4	14871	229	128	2.5	7.3	12987	200	128	2.8	2.4	40326	621	128	0.9	2.6	36559	563	128	1.0	3.0	31235	481	128	1.2	3.1	30975	477	128	1.2	3.6	26494	408	128	1.4	4.1	23117	356	128	1.6	4.9	19156	295	128	1.9	6.6	15115	146.91	34	0.80	8.1	12332	119.86	59	1.00	8.9	11246	109.31	61	1.10	10	9733	94.60	64	1.25	12	8588	83.47	66	1.40	8.9	11163	163.31	61	1.10	9.9	10042	146.91	63	1.20	12	8193	119.86	65	1.50	13	7472	109.31	66	1.65	15	6466	94.60	67	1.90	17	5706	83.47	68	2.10	20	4928	72.09	69	2.50	22	4579	66.99	69	2.70	24	4176	61.09	70	2.90	28	3614	52.87	70	3.40	10	9646	141.12	22	0.80	11	8762	128.18	45	0.85	13	7773	113.72	50	0.95	14	7054	103.20	52	1.05	16	6063	88.70	53	1.25	GR179R109 GRF179R109							GR149 GRF149							GR179R99 GRF179R99							GR139 GRF139																																																									
277	252	5.19	9.0	2.70			310	226	4.65	8.7	3.00					343	204	4.20	8.5	3.90	249	281	5.79	7.7	1.45	GRX99 GRXF99	4P	4.8	19676	303	114	0.90					GR149R89 GRF149R89	4P	293	238	4.91	7.4	1.60			319	219	4.52	7.2	2.60	356	196	4.04	7.0	2.90	396	177			3.64	6.8	3.30	436	160	3.30	6.6	3.60	493	142	2.92	6.4	4.10	320	218	4.50	5.5	1.30	GRX89 GRXF89	4P	5.2			19968	194.08	128	1.70		GR179 GRF179	8P		381	183	3.78	5.3	1.60			414	169	3.48	5.1	2.30	466	150	3.09	5.0	2.60	522	134	2.76	4.9			2.90	581	120	2.48	4.7	3.30	670	104	2.15	4.5	3.60	746	94	1.93	4.4	3.70	GRX79 GRXF79	4P	5.5	18302	177.89	128	1.85			GR179 GRF179	6P			900	78	1.60	4.2			3.90	1036	67	1.39	4.0	4.20	443	158	3.25	3.6	1.10	468	149	3.08	3.7	1.25	533			131	2.70	3.6	1.60	593	118	2.43	3.5	1.75	GRX69 GRXF69	4P	6.3	15943	154.96	128	2.05			GR169 GRF169	6P	676	103	2.13			3.4	1.85	766	91	1.88	3.3	2.00	862			81	1.67	3.2	2.10	1014	69	1.42	3.1	2.20	567		123	2.54		1.4	0.95	GR169 GRF169	4P	6.4	15702	137.3	128	1.75			GR179 GRF179	4P	600	116	2.40			1.5	1.00	706	99	2.04	1.7	1.30	774	90	1.86	1.8	1.35	894	78			1.61	2.0	1.40	1029	68	1.40	2.0	1.50	11kW							5.2	19232	186.93	114	0.90	GR169 GRF169	6P	2.5	38313	590	128	1.0	3.0	31949			492	128	1.1	3.2	29222	450	128	1.3	3.6	26170	403	128	1.4	4.0	23637	364	128	1.5	4.4	21494	331	128	1.7	5.0		19026	293	128	1.9		5.5	17273	266	128	2.1	6.4	14871	229	128	2.5	7.3	12987	200	128	2.8	2.4	40326	621	128	0.9	2.6	36559	563	128	1.0	3.0	31235	481	128	1.2	3.1	30975	477	128	1.2	3.6	26494	408	128	1.4	4.1	23117	356	128	1.6	4.9	19156	295	128	1.9	6.6	15115	146.91	34	0.80	8.1	12332	119.86	59	1.00	8.9	11246	109.31	61	1.10	10	9733	94.60	64	1.25	12	8588	83.47	66	1.40	8.9	11163	163.31	61	1.10	9.9	10042	146.91	63	1.20	12	8193	119.86	65	1.50	13	7472	109.31	66	1.65	15	6466	94.60	67	1.90	17	5706	83.47	68	2.10	20	4928	72.09	69	2.50	22	4579	66.99	69	2.70	24	4176	61.09	70	2.90	28	3614	52.87	70	3.40	10	9646	141.12	22	0.80	11	8762	128.18	45	0.85	13	7773	113.72	50	0.95	14	7054	103.20	52	1.05	16	6063	88.70	53	1.25	GR179R109 GRF179R109							GR149 GRF149							GR179R99 GRF179R99							GR139 GRF139																																																																				
310	226	4.65	8.7	3.00			343	204	4.20	8.5	3.90			249	281	5.79	7.7	1.45	GRX99 GRXF99	4P	4.8	19676	303	114	0.90			GR149R89 GRF149R89	4P	293	238	4.91	7.4	1.60					319	219	4.52	7.2	2.60			356	196	4.04	7.0	2.90	396	177	3.64	6.8	3.30	436	160			3.30	6.6	3.60	493	142	2.92	6.4	4.10	320	218	4.50	5.5	1.30	GRX89 GRXF89	4P	5.2	19968	194.08			128	1.70	GR179 GRF179	8P	381	183	3.78					5.3	1.60	414	169	3.48			5.1	2.30	466	150	3.09	5.0	2.60	522	134	2.76	4.9	2.90	581	120			2.48	4.7	3.30	670	104	2.15	4.5	3.60	746	94	1.93	4.4	3.70	GRX79 GRXF79	4P	5.5			18302	177.89	128	1.85	GR179 GRF179					6P	900	78	1.60	4.2	3.90			1036	67	1.39	4.0	4.20	443	158	3.25	3.6	1.10	468	149	3.08	3.7	1.25	533	131			2.70	3.6	1.60	593	118	2.43	3.5	1.75	GRX69 GRXF69			4P	6.3	15943	154.96	128					2.05	GR169 GRF169	6P			676	103	2.13	3.4	1.85	766	91	1.88	3.3	2.00	862	81	1.67	3.2	2.10	1014	69	1.42	3.1	2.20		567	123		2.54	1.4			0.95	GR169 GRF169	4P	6.4	15702					137.3	128	1.75			GR179 GRF179	4P	600	116	2.40	1.5	1.00	706	99	2.04	1.7	1.30	774	90			1.86	1.8	1.35	894	78	1.61	2.0	1.40	1029	68	1.40	2.0	1.50	11kW									5.2	19232	186.93	114	0.90	GR169 GRF169	6P			2.5	38313	590	128	1.0	3.0	31949	492	128	1.1	3.2	29222	450	128	1.3	3.6	26170	403	128	1.4	4.0	23637	364	128	1.5	4.4	21494	331	128	1.7	5.0	19026	293	128	1.9	5.5	17273	266	128	2.1	6.4	14871	229	128	2.5	7.3	12987	200	128	2.8	2.4	40326	621	128	0.9	2.6	36559	563	128	1.0	3.0	31235	481	128	1.2	3.1	30975	477	128	1.2	3.6	26494	408	128	1.4	4.1	23117	356	128	1.6	4.9	19156	295	128	1.9	6.6	15115	146.91	34	0.80	8.1	12332	119.86	59	1.00	8.9	11246	109.31	61	1.10	10	9733	94.60	64	1.25	12	8588	83.47	66	1.40	8.9	11163	163.31	61	1.10	9.9	10042	146.91	63	1.20	12	8193	119.86	65	1.50	13	7472	109.31	66	1.65	15	6466	94.60	67	1.90	17	5706	83.47	68	2.10	20	4928	72.09	69	2.50	22	4579	66.99	69	2.70	24	4176	61.09	70	2.90	28	3614	52.87	70	3.40	10	9646	141.12	22	0.80	11	8762	128.18	45	0.85	13	7773	113.72	50	0.95	14	7054	103.20	52	1.05	16	6063	88.70	53	1.25	GR179R109 GRF179R109							GR149 GRF149							GR179R99 GRF179R99							GR139 GRF139																																																															
343	204	4.20	8.5	3.90			249	281	5.79	7.7	1.45			GRX99 GRXF99	4P	4.8	19676	303			114	0.90	GR149R89 GRF149R89	4P	293					238	4.91	7.4	1.60	319					219	4.52	7.2	2.60	356	196	4.04	7.0	2.90	396	177	3.64	6.8	3.30	436	160	3.30	6.6	3.60			493	142	2.92	6.4	4.10	320	218	4.50	5.5	1.30	GRX89 GRXF89	4P	5.2			19968	194.08	128			1.70	GR179 GRF179			8P	381	183					3.78	5.3	1.60	414	169	3.48	5.1	2.30	466	150	3.09	5.0	2.60	522	134	2.76	4.9	2.90	581	120	2.48			4.7	3.30	670	104	2.15	4.5	3.60	746	94	1.93	4.4	3.70	GRX79 GRXF79			4P			5.5	18302	177.89	128							1.85	GR179 GRF179	6P	900	78	1.60	4.2	3.90	1036	67	1.39	4.0	4.20	443	158	3.25	3.6	1.10	468	149	3.08	3.7	1.25	533			131	2.70	3.6	1.60	593	118	2.43	3.5					1.75	GRX69 GRXF69	4P	6.3					15943			154.96	128	2.05	GR169 GRF169	6P	676	103	2.13	3.4	1.85	766	91	1.88	3.3	2.00	862	81	1.67	3.2	2.10	1014	69		1.42	3.1		2.20	567			123			2.54	1.4					0.95	GR169 GRF169	4P	6.4	15702			137.3	128	1.75	GR179 GRF179	4P	600	116	2.40	1.5	1.00	706	99			2.04	1.7	1.30	774	90	1.86	1.8	1.35	894	78	1.61	2.0	1.40	1029	68	1.40	2.0	1.50	11kW							5.2	19232			186.93	114	0.90	GR169 GRF169	6P	2.5	38313	590	128	1.0	3.0	31949	492	128	1.1	3.2	29222	450	128	1.3	3.6	26170	403	128	1.4	4.0	23637	364	128	1.5	4.4	21494	331	128	1.7	5.0	19026	293	128	1.9	5.5	17273	266	128	2.1	6.4	14871	229	128	2.5	7.3	12987	200	128	2.8	2.4	40326	621	128	0.9	2.6	36559	563	128	1.0	3.0	31235	481	128	1.2	3.1	30975	477	128	1.2	3.6	26494	408	128	1.4	4.1	23117	356	128	1.6	4.9	19156	295	128	1.9	6.6	15115	146.91	34	0.80	8.1	12332	119.86	59	1.00	8.9	11246	109.31	61	1.10	10	9733	94.60	64	1.25	12	8588	83.47	66	1.40	8.9	11163	163.31	61	1.10	9.9	10042	146.91	63	1.20	12	8193	119.86	65	1.50	13	7472	109.31	66	1.65	15	6466	94.60	67	1.90	17	5706	83.47	68	2.10	20	4928	72.09	69	2.50	22	4579	66.99	69	2.70	24	4176	61.09	70	2.90	28	3614	52.87	70	3.40	10	9646	141.12	22	0.80	11	8762	128.18	45	0.85	13	7773	113.72	50	0.95	14	7054	103.20	52	1.05	16	6063	88.70	53	1.25	GR179R109 GRF179R109							GR149 GRF149							GR179R99 GRF179R99							GR139 GRF139																																																												
249	281	5.79	7.7	1.45			GRX99 GRXF99	4P	4.8	19676	303	114	0.90			GR149R89 GRF149R89	4P																																																																																																																																																																																																																																																																																																																																																																																																																																																																																																																																																						
293	238	4.91	7.4	1.60	319	219			4.52	7.2	2.60	356	196					4.04			7.0	2.90			396			177	3.64	6.8	3.30	436	160	3.30			6.6	3.60	493	142	2.92	6.4	4.10	320	218	4.50	5.5	1.30	GRX89 GRXF89	4P	5.2	19968	194.08	128	1.70	GR179 GRF179	8P	381	183	3.78	5.3	1.60	414	169	3.48	5.1	2.30	466	150			3.09			5.0	2.60	522			134		2.76	4.9		2.90	581		120	2.48		4.7	3.30	670	104	2.15	4.5	3.60	746	94	1.93	4.4	3.70	GRX79 GRXF79	4P	5.5	18302	177.89	128	1.85	GR179 GRF179	6P	900	78	1.60	4.2	3.90	1036	67	1.39	4.0	4.20	443	158	3.25	3.6							1.10	468	149	3.08	3.7			1.25	533	131	2.70			3.6	1.60	593	118	2.43	3.5	1.75	GRX69 GRXF69	4P	6.3	15943	154.96	128	2.05	GR169 GRF169	6P	676	103	2.13	3.4	1.85	766	91	1.88	3.3	2.00	862	81	1.67	3.2	2.10					1014			69			1.42	3.1	2.20	567	123	2.54	1.4	0.95			GR169 GRF169	4P	6.4	15702	137.3	128	1.75	GR179 GRF179	4P	600	116	2.40	1.5	1.00	706	99	2.04	1.7	1.30	774	90	1.86	1.8			1.35			894	78			1.61	2.0	1.40			1029	68	1.40	2.0	1.50	11kW							5.2	19232	186.93	114	0.90	GR169 GRF169	6P	2.5	38313	590	128	1.0	3.0	31949	492	128	1.1	3.2	29222	450	128	1.3	3.6	26170	403	128	1.4	4.0	23637	364	128	1.5	4.4	21494	331	128	1.7	5.0			19026	293	128	1.9	5.5	17273	266	128	2.1	6.4	14871	229	128	2.5	7.3	12987	200	128	2.8	2.4	40326	621	128	0.9	2.6	36559	563	128	1.0	3.0	31235	481	128	1.2	3.1	30975	477	128	1.2	3.6	26494	408	128	1.4	4.1	23117	356	128	1.6	4.9	19156	295	128	1.9	6.6	15115	146.91	34	0.80	8.1	12332	119.86	59	1.00	8.9	11246	109.31	61	1.10	10	9733	94.60	64	1.25	12	8588	83.47	66	1.40	8.9	11163	163.31	61	1.10	9.9	10042	146.91	63	1.20	12	8193	119.86	65	1.50	13	7472	109.31	66	1.65	15	6466	94.60	67	1.90	17	5706	83.47	68	2.10	20	4928	72.09	69	2.50	22	4579	66.99	69	2.70	24	4176	61.09	70	2.90	28	3614	52.87	70	3.40	10	9646	141.12	22	0.80	11	8762	128.18	45	0.85	13	7773	113.72	50	0.95	14	7054	103.20	52	1.05	16	6063	88.70	53	1.25	GR179R109 GRF179R109							GR149 GRF149							GR179R99 GRF179R99							GR139 GRF139																																																																																											
319	219	4.52	7.2	2.60	356	196			4.04	7.0	2.90	396	177					3.64			6.8	3.30	436	160	3.30			6.6	3.60	493	142	2.92	6.4	4.10	320	218	4.50	5.5	1.30	GRX89 GRXF89	4P	5.2	19968	194.08	128	1.70	GR179 GRF179	8P			381	183	3.78	5.3	1.60			414	169	3.48	5.1	2.30	466	150	3.09	5.0	2.60	522	134			2.76			4.9	2.90	581			120	2.48	4.7	3.30	670	104	2.15	4.5	3.60	746	94	1.93	4.4	3.70	GRX79 GRXF79	4P	5.5	18302	177.89	128	1.85	GR179 GRF179	6P			900	78	1.60	4.2	3.90			1036	67	1.39	4.0	4.20	443	158	3.25	3.6	1.10	468	149	3.08	3.7							1.25	533	131	2.70	3.6	1.60	593	118	2.43	3.5	1.75	GRX69 GRXF69	4P	6.3	15943	154.96	128	2.05	GR169 GRF169	6P			676	103	2.13	3.4	1.85			766	91	1.88	3.3	2.00	862	81	1.67	3.2	2.10	1014	69	1.42	3.1	2.20					567			123	2.54	1.4	0.95	GR169 GRF169	4P	6.4	15702	137.3	128	1.75	GR179 GRF179	4P			600	116	2.40	1.5	1.00			706	99	2.04	1.7	1.30	774	90	1.86	1.8	1.35	894	78	1.61	2.0			1.40			1029	68	1.40	2.0	1.50	11kW							5.2	19232	186.93	114	0.90	GR169 GRF169	6P	2.5	38313	590	128	1.0	3.0	31949			492	128	1.1	3.2	29222	450	128	1.3	3.6	26170	403	128	1.4	4.0	23637	364	128	1.5	4.4	21494	331	128	1.7	5.0	19026	293	128	1.9	5.5	17273	266	128	2.1	6.4	14871	229	128	2.5	7.3	12987	200	128	2.8	2.4	40326	621	128	0.9	2.6	36559	563	128	1.0	3.0	31235	481	128	1.2	3.1	30975	477	128	1.2	3.6	26494	408	128	1.4	4.1	23117	356	128	1.6	4.9	19156	295	128	1.9	6.6	15115	146.91	34	0.80	8.1	12332	119.86	59	1.00	8.9	11246	109.31	61	1.10	10	9733	94.60	64	1.25	12	8588	83.47	66	1.40	8.9	11163	163.31	61	1.10	9.9	10042	146.91	63	1.20	12	8193	119.86	65	1.50	13	7472	109.31	66	1.65	15	6466	94.60	67	1.90	17	5706	83.47	68	2.10	20	4928	72.09	69	2.50	22	4579	66.99	69	2.70	24	4176	61.09	70	2.90	28	3614	52.87	70	3.40	10	9646	141.12	22	0.80	11	8762	128.18	45	0.85	13	7773	113.72	50	0.95	14	7054	103.20	52	1.05	16	6063	88.70	53	1.25	GR179R109 GRF179R109							GR149 GRF149							GR179R99 GRF179R99							GR139 GRF139																																																																																																				
356	196	4.04	7.0	2.90	396	177			3.64	6.8	3.30	436	160			3.30	6.6	3.60			493	142	2.92	6.4	4.10	320	218	4.50	5.5	1.30	GRX89 GRXF89	4P	5.2	19968	194.08	128	1.70	GR179 GRF179	8P			381	183	3.78	5.3	1.60					414	169	3.48	5.1	2.30			466	150	3.09	5.0	2.60	522	134	2.76	4.9	2.90	581	120			2.48			4.7	3.30	670	104	2.15	4.5	3.60	746	94	1.93	4.4	3.70	GRX79 GRXF79	4P	5.5	18302	177.89	128	1.85			GR179 GRF179	6P	900	78	1.60					4.2	3.90	1036	67	1.39			4.0	4.20	443	158	3.25	3.6	1.10	468	149	3.08	3.7	1.25	533	131					2.70	3.6	1.60	593	118	2.43	3.5	1.75	GRX69 GRXF69	4P	6.3	15943	154.96			128	2.05	GR169 GRF169	6P	676					103	2.13	3.4	1.85	766			91	1.88	3.3	2.00	862	81	1.67	3.2	2.10	1014	69	1.42	3.1	2.20	567		123	2.54		1.4			0.95	GR169 GRF169	4P	6.4			15702	137.3	128	1.75	GR179 GRF179					4P	600	116	2.40	1.5			1.00	706	99	2.04	1.7	1.30	774	90	1.86	1.8	1.35	894	78	1.61	2.0	1.40	1029			68	1.40	2.0	1.50	11kW							5.2	19232	186.93	114	0.90	GR169 GRF169			6P	2.5	38313	590	128	1.0	3.0			31949	492	128	1.1	3.2	29222	450	128	1.3	3.6	26170	403	128	1.4	4.0	23637	364	128	1.5	4.4	21494	331	128	1.7	5.0	19026	293	128	1.9	5.5	17273	266	128	2.1	6.4	14871	229	128	2.5	7.3	12987	200	128	2.8	2.4	40326	621	128	0.9	2.6	36559	563	128	1.0	3.0	31235	481	128	1.2	3.1	30975	477	128	1.2	3.6	26494	408	128	1.4	4.1	23117	356	128	1.6	4.9	19156	295	128	1.9	6.6	15115	146.91	34	0.80	8.1	12332	119.86	59	1.00	8.9	11246	109.31	61	1.10	10	9733	94.60	64	1.25	12	8588	83.47	66	1.40	8.9	11163	163.31	61	1.10	9.9	10042	146.91	63	1.20	12	8193	119.86	65	1.50	13	7472	109.31	66	1.65	15	6466	94.60	67	1.90	17	5706	83.47	68	2.10	20	4928	72.09	69	2.50	22	4579	66.99	69	2.70	24	4176	61.09	70	2.90	28	3614	52.87	70	3.40	10	9646	141.12	22	0.80	11	8762	128.18	45	0.85	13	7773	113.72	50	0.95	14	7054	103.20	52	1.05	16	6063	88.70	53	1.25	GR179R109 GRF179R109							GR149 GRF149							GR179R99 GRF179R99							GR139 GRF139																																																																																																			
396	177	3.64	6.8	3.30	436	160			3.30	6.6	3.60	493	142			2.92	6.4	4.10	320	218	4.50	5.5	1.30	GRX89 GRXF89	4P	5.2	19968	194.08	128	1.70			GR179 GRF179	8P	381	183	3.78					5.3	1.60	414	169	3.48					5.1	2.30	466	150	3.09	5.0	2.60	522	134	2.76	4.9	2.90	581	120	2.48	4.7	3.30	670	104			2.15	4.5	3.60	746	94	1.93	4.4	3.70	GRX79 GRXF79	4P	5.5	18302	177.89	128	1.85			GR179 GRF179	6P	900	78	1.60					4.2	3.90	1036					67	1.39	4.0	4.20	443	158	3.25	3.6	1.10	468	149	3.08	3.7	1.25	533	131	2.70	3.6	1.60	593	118		2.43	3.5		1.75	GRX69 GRXF69	4P	6.3	15943	154.96	128	2.05			GR169 GRF169	6P	676			103	2.13			3.4					1.85	766	91	1.88	3.3	2.00	862	81	1.67	3.2	2.10	1014	69	1.42	3.1	2.20	567	123	2.54	1.4	0.95	GR169 GRF169	4P	6.4	15702	137.3	128			1.75			GR179 GRF179			4P	600	116	2.40							1.5	1.00	706	99	2.04	1.7	1.30	774	90	1.86	1.8	1.35	894	78	1.61	2.0	1.40	1029	68	1.40	2.0	1.50	11kW							5.2	19232	186.93			114	0.90	GR169 GRF169	6P	2.5	38313	590					128	1.0	3.0	31949	492	128	1.1	3.2	29222	450	128	1.3	3.6	26170	403	128	1.4	4.0	23637	364	128	1.5	4.4	21494	331	128	1.7	5.0	19026	293	128	1.9	5.5	17273	266	128	2.1	6.4	14871	229	128	2.5	7.3	12987	200	128	2.8	2.4	40326	621	128	0.9	2.6	36559	563	128	1.0	3.0	31235	481	128	1.2	3.1	30975	477	128	1.2	3.6	26494	408	128	1.4	4.1	23117	356	128	1.6	4.9	19156	295	128	1.9	6.6	15115	146.91	34	0.80	8.1	12332	119.86	59	1.00	8.9	11246	109.31	61	1.10	10	9733	94.60	64	1.25	12	8588	83.47	66	1.40	8.9	11163	163.31	61	1.10	9.9	10042	146.91	63	1.20	12	8193	119.86	65	1.50	13	7472	109.31	66	1.65	15	6466	94.60	67	1.90	17	5706	83.47	68	2.10	20	4928	72.09	69	2.50	22	4579	66.99	69	2.70	24	4176	61.09	70	2.90	28	3614	52.87	70	3.40	10	9646	141.12	22	0.80	11	8762	128.18	45	0.85	13	7773	113.72	50	0.95	14	7054	103.20	52	1.05	16	6063	88.70	53	1.25	GR179R109 GRF179R109							GR149 GRF149							GR179R99 GRF179R99							GR139 GRF139																																																																																																								
436	160	3.30	6.6	3.60	493	142			2.92	6.4	4.10	320	218	4.50	5.5	1.30	GRX89 GRXF89	4P	5.2	19968	194.08	128	1.70			GR179 GRF179	8P	381	183	3.78					5.3	1.60	414					169	3.48	5.1	2.30	466	150	3.09			5.0	2.60	522	134	2.76	4.9	2.90	581	120	2.48	4.7	3.30	670	104	2.15	4.5	3.60	746	94	1.93	4.4	3.70	GRX79 GRXF79	4P	5.5	18302	177.89	128	1.85			GR179 GRF179	6P	900	78	1.60					4.2	3.90	1036					67	1.39	4.0	4.20	443			158	3.25	3.6	1.10	468	149	3.08	3.7	1.25	533	131	2.70	3.6	1.60	593	118	2.43	3.5	1.75	GRX69 GRXF69	4P	6.3	15943	154.96	128	2.05			GR169 GRF169	6P	676	103	2.13					3.4			1.85	766			91	1.88	3.3			2.00	862	81	1.67	3.2	2.10	1014	69	1.42	3.1	2.20	567	123	2.54	1.4	0.95	GR169 GRF169	4P	6.4	15702	137.3			128	1.75	GR179 GRF179	4P	600	116	2.40							1.5	1.00	706		99	2.04				1.7	1.30	774	90	1.86	1.8	1.35	894	78	1.61	2.0	1.40	1029	68	1.40	2.0	1.50	11kW							5.2	19232	186.93	114	0.90	GR169 GRF169	6P	2.5	38313	590	128	1.0			3.0	31949	492		128	1.1		3.2	29222	450	128	1.3	3.6	26170	403	128	1.4	4.0	23637	364	128	1.5	4.4	21494	331	128	1.7	5.0	19026	293	128	1.9	5.5	17273	266	128	2.1	6.4	14871	229	128	2.5	7.3	12987	200	128	2.8	2.4	40326	621	128	0.9	2.6	36559	563	128	1.0	3.0	31235	481	128	1.2	3.1	30975	477	128	1.2	3.6	26494	408	128	1.4	4.1	23117	356	128	1.6	4.9	19156	295	128	1.9	6.6	15115	146.91	34	0.80	8.1	12332	119.86	59	1.00	8.9	11246	109.31	61	1.10	10	9733	94.60	64	1.25	12	8588	83.47	66	1.40	8.9	11163	163.31	61	1.10	9.9	10042	146.91	63	1.20	12	8193	119.86	65	1.50	13	7472	109.31	66	1.65	15	6466	94.60	67	1.90	17	5706	83.47	68	2.10	20	4928	72.09	69	2.50	22	4579	66.99	69	2.70	24	4176	61.09	70	2.90	28	3614	52.87	70	3.40	10	9646	141.12	22	0.80	11	8762	128.18	45	0.85	13	7773	113.72	50	0.95	14	7054	103.20	52	1.05	16	6063	88.70	53	1.25	GR179R109 GRF179R109							GR149 GRF149							GR179R99 GRF179R99							GR139 GRF139																																																																																																															
493	142	2.92	6.4	4.10	320	218	4.50	5.5	1.30	GRX89 GRXF89	4P	5.2	19968	194.08	128	1.70			GR179 GRF179	8P	381	183	3.78					5.3	1.60	414					169	3.48	5.1	2.30	466			150	3.09	5.0	2.60	522	134	2.76			4.9	2.90	581	120	2.48	4.7	3.30	670	104	2.15	4.5	3.60	746	94	1.93	4.4	3.70	GRX79 GRXF79	4P	5.5	18302	177.89			128	1.85	GR179 GRF179	6P	900					78	1.60	4.2					3.90	1036	67			1.39	4.0	4.20	443	158	3.25	3.6			1.10	468	149	3.08	3.7	1.25	533	131	2.70	3.6	1.60	593	118	2.43	3.5	1.75	GRX69 GRXF69	4P	6.3			15943	154.96	128	2.05	GR169 GRF169					6P	676	103					2.13			3.4	1.85	766	91	1.88	3.3	2.00			862	81	1.67	3.2	2.10	1014	69	1.42	3.1	2.20	567	123	2.54	1.4	0.95	GR169 GRF169			4P	6.4	15702			137.3	128			1.75	GR179 GRF179	4P							600	116	2.40	1.5	1.00	706			99	2.04	1.7	1.30	774	90	1.86	1.8	1.35	894	78	1.61	2.0	1.40	1029	68	1.40	2.0	1.50	11kW							5.2	19232	186.93	114			0.90	GR169 GRF169	6P	2.5	38313			590	128	1.0	3.0	31949	492	128	1.1	3.2	29222	450	128	1.3	3.6	26170	403	128	1.4	4.0	23637	364	128	1.5	4.4	21494	331	128	1.7	5.0	19026	293	128	1.9	5.5	17273	266	128	2.1	6.4	14871	229	128	2.5	7.3	12987	200	128	2.8	2.4	40326	621	128	0.9	2.6	36559	563	128	1.0	3.0	31235	481	128	1.2	3.1	30975	477	128	1.2	3.6	26494	408	128	1.4	4.1	23117	356	128	1.6	4.9	19156	295	128	1.9	6.6	15115	146.91	34	0.80	8.1	12332	119.86	59	1.00	8.9	11246	109.31	61	1.10	10	9733	94.60	64	1.25	12	8588	83.47	66	1.40	8.9	11163	163.31	61	1.10	9.9	10042	146.91	63	1.20	12	8193	119.86	65	1.50	13	7472	109.31	66	1.65	15	6466	94.60	67	1.90	17	5706	83.47	68	2.10	20	4928	72.09	69	2.50	22	4579	66.99	69	2.70	24	4176	61.09	70	2.90	28	3614	52.87	70	3.40	10	9646	141.12	22	0.80	11	8762	128.18	45	0.85	13	7773	113.72	50	0.95	14	7054	103.20	52	1.05	16	6063	88.70	53	1.25	GR179R109 GRF179R109							GR149 GRF149							GR179R99 GRF179R99							GR139 GRF139																																																																																																														
320	218	4.50	5.5	1.30	GRX89 GRXF89	4P	5.2	19968	194.08			128	1.70	GR179 GRF179	8P																																																																																																																																																																																																																																																																																																																																																																																																																																																																																																																																																								
381	183	3.78	5.3	1.60			414	169	3.48			5.1	2.30			466					150	3.09	5.0			2.60	522	134	2.76	4.9			2.90	581	120	2.48	4.7	3.30	670	104	2.15	4.5	3.60	746	94	1.93	4.4	3.70	GRX79 GRXF79	4P	5.5	18302	177.89	128	1.85	GR179 GRF179	6P	900	78	1.60	4.2	3.90	1036	67	1.39	4.0	4.20			443	158	3.25			3.6	1.10			468			149	3.08	3.7	1.25	533			131	2.70	3.6	1.60	593	118	2.43	3.5	1.75	GRX69 GRXF69	4P	6.3	15943	154.96	128	2.05	GR169 GRF169	6P	676	103	2.13	3.4	1.85	766	91	1.88	3.3	2.00	862	81	1.67	3.2			2.10			1014	69	1.42	3.1				2.20	567		123	2.54			1.4	0.95	GR169 GRF169	4P	6.4	15702	137.3	128	1.75	GR179 GRF179	4P	600	116	2.40	1.5	1.00	706	99	2.04	1.7	1.30	774	90	1.86	1.8	1.35	894	78	1.61					2.0	1.40			1029	68	1.40	2.0	1.50					11kW							5.2	19232	186.93	114	0.90	GR169 GRF169	6P	2.5	38313	590	128	1.0	3.0	31949	492	128	1.1	3.2	29222	450	128	1.3	3.6	26170	403	128	1.4	4.0	23637	364	128	1.5	4.4	21494	331	128	1.7	5.0			19026	293	128	1.9	5.5	17273	266	128	2.1	6.4	14871	229	128	2.5	7.3	12987	200	128	2.8	2.4	40326	621	128	0.9	2.6	36559	563	128	1.0	3.0	31235	481	128	1.2	3.1	30975	477	128	1.2	3.6	26494	408	128	1.4	4.1	23117	356	128	1.6	4.9	19156	295	128	1.9	6.6	15115	146.91	34	0.80	8.1	12332	119.86	59	1.00	8.9	11246	109.31	61	1.10	10	9733	94.60	64	1.25	12	8588	83.47	66	1.40	8.9	11163	163.31	61	1.10	9.9	10042	146.91	63	1.20	12	8193	119.86	65	1.50	13	7472	109.31	66	1.65	15	6466	94.60	67	1.90	17	5706	83.47	68	2.10	20	4928	72.09	69	2.50	22	4579	66.99	69	2.70	24	4176	61.09	70	2.90	28	3614	52.87	70	3.40	10	9646	141.12	22	0.80	11	8762	128.18	45	0.85	13	7773	113.72	50	0.95	14	7054	103.20	52	1.05	16	6063	88.70	53	1.25	GR179R109 GRF179R109							GR149 GRF149							GR179R99 GRF179R99							GR139 GRF139																																																																																																																																															
414	169	3.48	5.1	2.30			466	150	3.09			5.0	2.60			522			134	2.76	4.9	2.90	581			120	2.48	4.7	3.30	670	104	2.15	4.5	3.60	746	94	1.93	4.4	3.70	GRX79 GRXF79	4P	5.5	18302	177.89	128	1.85	GR179 GRF179	6P			900	78	1.60	4.2	3.90			1036	67	1.39	4.0	4.20	443	158	3.25	3.6	1.10			468	149	3.08			3.7	1.25	533	131	2.70			3.6	1.60	593	118	2.43	3.5	1.75	GRX69 GRXF69	4P	6.3	15943	154.96	128	2.05	GR169 GRF169	6P			676	103	2.13	3.4	1.85			766	91	1.88	3.3	2.00	862	81	1.67	3.2	2.10	1014	69	1.42	3.1			2.20			567	123	2.54	1.4	0.95			GR169 GRF169	4P	6.4	15702	137.3	128	1.75	GR179 GRF179	4P			600	116	2.40	1.5	1.00			706	99	2.04	1.7	1.30	774	90	1.86	1.8	1.35	894	78	1.61	2.0	1.40	1029	68	1.40					2.0	1.50			11kW							5.2	19232	186.93	114	0.90	GR169 GRF169	6P	2.5	38313	590	128	1.0	3.0	31949			492	128	1.1	3.2	29222	450	128	1.3	3.6	26170	403	128	1.4	4.0	23637	364	128	1.5	4.4	21494	331	128	1.7	5.0	19026	293	128	1.9	5.5	17273	266	128	2.1	6.4	14871	229	128	2.5	7.3	12987	200	128	2.8	2.4	40326	621	128	0.9	2.6	36559	563	128	1.0	3.0	31235	481	128	1.2	3.1	30975	477	128	1.2	3.6	26494	408	128	1.4	4.1	23117	356	128	1.6	4.9	19156	295	128	1.9	6.6	15115	146.91	34	0.80	8.1	12332	119.86	59	1.00	8.9	11246	109.31	61	1.10	10	9733	94.60	64	1.25	12	8588	83.47	66	1.40	8.9	11163	163.31	61	1.10	9.9	10042	146.91	63	1.20	12	8193	119.86	65	1.50	13	7472	109.31	66	1.65	15	6466	94.60	67	1.90	17	5706	83.47	68	2.10	20	4928	72.09	69	2.50	22	4579	66.99	69	2.70	24	4176	61.09	70	2.90	28	3614	52.87	70	3.40	10	9646	141.12	22	0.80	11	8762	128.18	45	0.85	13	7773	113.72	50	0.95	14	7054	103.20	52	1.05	16	6063	88.70	53	1.25	GR179R109 GRF179R109							GR149 GRF149							GR179R99 GRF179R99							GR139 GRF139																																																																																																																																																								
466	150	3.09	5.0	2.60			522	134	2.76			4.9	2.90	581	120	2.48			4.7	3.30	670	104	2.15	4.5	3.60	746	94	1.93	4.4	3.70	GRX79 GRXF79	4P	5.5	18302	177.89	128	1.85	GR179 GRF179	6P			900	78	1.60	4.2	3.90					1036	67	1.39	4.0	4.20			443	158	3.25	3.6	1.10	468	149	3.08	3.7	1.25			533	131	2.70			3.6	1.60	593	118	2.43	3.5	1.75	GRX69 GRXF69	4P	6.3	15943	154.96	128	2.05			GR169 GRF169	6P	676	103	2.13					3.4	1.85	766	91	1.88			3.3	2.00	862	81	1.67	3.2	2.10	1014	69	1.42	3.1	2.20	567	123			2.54			1.4	0.95	GR169 GRF169	4P	6.4	15702	137.3			128	1.75	GR179 GRF179	4P	600					116	2.40	1.5	1.00	706			99	2.04	1.7	1.30	774	90	1.86	1.8	1.35	894	78	1.61	2.0	1.40	1029	68	1.40	2.0					1.50	11kW							5.2	19232	186.93	114	0.90	GR169 GRF169	6P	2.5			38313	590	128	1.0	3.0	31949	492			128	1.1	3.2	29222	450	128	1.3	3.6	26170	403	128	1.4	4.0	23637	364	128	1.5	4.4	21494	331	128	1.7	5.0	19026	293	128	1.9	5.5	17273	266	128	2.1	6.4	14871	229	128	2.5	7.3	12987	200	128	2.8	2.4	40326	621	128	0.9	2.6	36559	563	128	1.0	3.0	31235	481	128	1.2	3.1	30975	477	128	1.2	3.6	26494	408	128	1.4	4.1	23117	356	128	1.6	4.9	19156	295	128	1.9	6.6	15115	146.91	34	0.80	8.1	12332	119.86	59	1.00	8.9	11246	109.31	61	1.10	10	9733	94.60	64	1.25	12	8588	83.47	66	1.40	8.9	11163	163.31	61	1.10	9.9	10042	146.91	63	1.20	12	8193	119.86	65	1.50	13	7472	109.31	66	1.65	15	6466	94.60	67	1.90	17	5706	83.47	68	2.10	20	4928	72.09	69	2.50	22	4579	66.99	69	2.70	24	4176	61.09	70	2.90	28	3614	52.87	70	3.40	10	9646	141.12	22	0.80	11	8762	128.18	45	0.85	13	7773	113.72	50	0.95	14	7054	103.20	52	1.05	16	6063	88.70	53	1.25	GR179R109 GRF179R109							GR149 GRF149							GR179R99 GRF179R99							GR139 GRF139																																																																																																																																																									
522	134	2.76	4.9	2.90			581	120	2.48			4.7	3.30	670	104	2.15	4.5	3.60	746	94	1.93	4.4	3.70	GRX79 GRXF79	4P	5.5	18302	177.89	128	1.85			GR179 GRF179	6P	900	78	1.60					4.2	3.90	1036	67	1.39					4.0	4.20	443	158	3.25	3.6	1.10	468	149	3.08	3.7	1.25	533	131	2.70	3.6	1.60			593	118	2.43	3.5	1.75	GRX69 GRXF69	4P	6.3	15943	154.96	128	2.05			GR169 GRF169	6P	676	103	2.13					3.4	1.85	766					91	1.88	3.3	2.00	862	81	1.67	3.2	2.10	1014	69	1.42	3.1	2.20	567	123	2.54	1.4	0.95	GR169 GRF169	4P			6.4	15702	137.3	128	1.75			GR179 GRF179	4P	600			116	2.40			1.5					1.00	706	99	2.04	1.7	1.30	774	90	1.86	1.8	1.35	894	78	1.61	2.0	1.40	1029	68	1.40	2.0	1.50	11kW								5.2	19232	186.93	114	0.90	GR169 GRF169	6P	2.5	38313	590	128	1.0	3.0			31949			492	128	1.1	3.2	29222	450	128	1.3	3.6	26170	403	128	1.4	4.0	23637	364	128	1.5	4.4	21494	331	128	1.7	5.0	19026	293	128	1.9	5.5	17273	266	128	2.1	6.4	14871	229	128	2.5	7.3	12987	200	128	2.8	2.4	40326	621	128	0.9	2.6	36559	563	128	1.0	3.0	31235	481	128	1.2	3.1	30975	477	128	1.2	3.6	26494	408	128	1.4	4.1	23117	356	128	1.6	4.9	19156	295	128	1.9	6.6	15115	146.91	34	0.80	8.1	12332	119.86	59	1.00	8.9	11246	109.31	61	1.10	10	9733	94.60	64	1.25	12	8588	83.47	66	1.40	8.9	11163	163.31	61	1.10	9.9	10042	146.91	63	1.20	12	8193	119.86	65	1.50	13	7472	109.31	66	1.65	15	6466	94.60	67	1.90	17	5706	83.47	68	2.10	20	4928	72.09	69	2.50	22	4579	66.99	69	2.70	24	4176	61.09	70	2.90	28	3614	52.87	70	3.40	10	9646	141.12	22	0.80	11	8762	128.18	45	0.85	13	7773	113.72	50	0.95	14	7054	103.20	52	1.05	16	6063	88.70	53	1.25	GR179R109 GRF179R109							GR149 GRF149							GR179R99 GRF179R99							GR139 GRF139																																																																																																																																																																	
581	120	2.48	4.7	3.30			670	104	2.15	4.5	3.60	746	94	1.93	4.4	3.70	GRX79 GRXF79	4P	5.5	18302	177.89	128	1.85			GR179 GRF179	6P	900	78	1.60					4.2	3.90	1036					67	1.39	4.0	4.20	443	158	3.25			3.6	1.10	468	149	3.08	3.7	1.25	533	131	2.70	3.6	1.60	593	118	2.43	3.5	1.75	GRX69 GRXF69	4P	6.3	15943	154.96	128	2.05			GR169 GRF169	6P	676	103	2.13					3.4	1.85	766					91	1.88	3.3	2.00	862			81	1.67	3.2	2.10	1014	69	1.42	3.1	2.20	567	123	2.54	1.4	0.95	GR169 GRF169	4P	6.4	15702	137.3			128	1.75	GR179 GRF179	4P	600	116	2.40					1.5			1.00	706			99	2.04	1.7			1.30	774	90	1.86	1.8	1.35	894	78	1.61	2.0	1.40	1029	68	1.40	2.0	1.50	11kW							5.2	19232	186.93	114	0.90	GR169 GRF169	6P	2.5	38313	590	128			1.0	3.0	31949	492	128	1.1			3.2	29222	450	128	1.3	3.6	26170	403	128	1.4	4.0	23637	364	128	1.5	4.4	21494	331	128	1.7	5.0	19026	293	128	1.9	5.5	17273	266	128	2.1	6.4	14871	229	128	2.5	7.3	12987	200	128	2.8	2.4	40326	621	128	0.9	2.6	36559	563	128	1.0	3.0	31235	481	128	1.2	3.1	30975	477	128	1.2	3.6	26494	408	128	1.4	4.1	23117	356	128	1.6	4.9	19156	295	128	1.9	6.6	15115	146.91	34	0.80	8.1	12332	119.86	59	1.00	8.9	11246	109.31	61	1.10	10	9733	94.60	64	1.25	12	8588	83.47	66	1.40	8.9	11163	163.31	61	1.10	9.9	10042	146.91	63	1.20	12	8193	119.86	65	1.50	13	7472	109.31	66	1.65	15	6466	94.60	67	1.90	17	5706	83.47	68	2.10	20	4928	72.09	69	2.50	22	4579	66.99	69	2.70	24	4176	61.09	70	2.90	28	3614	52.87	70	3.40	10	9646	141.12	22	0.80	11	8762	128.18	45	0.85	13	7773	113.72	50	0.95	14	7054	103.20	52	1.05	16	6063	88.70	53	1.25	GR179R109 GRF179R109							GR149 GRF149							GR179R99 GRF179R99							GR139 GRF139																																																																																																																																																																							
670	104	2.15	4.5	3.60	746	94	1.93	4.4	3.70	GRX79 GRXF79	4P	5.5	18302	177.89	128	1.85			GR179 GRF179	6P	900	78	1.60					4.2	3.90	1036					67	1.39	4.0	4.20	443			158	3.25	3.6	1.10	468	149	3.08			3.7	1.25	533	131	2.70	3.6	1.60	593	118	2.43	3.5	1.75	GRX69 GRXF69	4P	6.3	15943	154.96			128	2.05	GR169 GRF169	6P	676					103	2.13	3.4					1.85	766	91			1.88	3.3	2.00	862	81	1.67	3.2			2.10	1014	69	1.42	3.1	2.20	567	123	2.54	1.4	0.95	GR169 GRF169	4P	6.4			15702	137.3	128			1.75	GR179 GRF179			4P	600	116					2.40			1.5	1.00	706	99	2.04	1.7	1.30			774	90	1.86	1.8	1.35	894	78	1.61	2.0	1.40	1029	68	1.40	2.0	1.50	11kW							5.2	19232	186.93	114	0.90	GR169 GRF169			6P	2.5	38313	590			128	1.0	3.0	31949	492	128	1.1	3.2	29222	450	128	1.3	3.6	26170	403	128	1.4	4.0	23637	364	128	1.5	4.4	21494	331	128	1.7	5.0	19026	293	128	1.9	5.5	17273	266	128	2.1	6.4	14871	229	128	2.5	7.3	12987	200	128	2.8	2.4	40326	621	128	0.9	2.6	36559	563	128	1.0	3.0	31235	481	128	1.2	3.1	30975	477	128	1.2	3.6	26494	408	128	1.4	4.1	23117	356	128	1.6	4.9	19156	295	128	1.9	6.6	15115	146.91	34	0.80	8.1	12332	119.86	59	1.00	8.9	11246	109.31	61	1.10	10	9733	94.60	64	1.25	12	8588	83.47	66	1.40	8.9	11163	163.31	61	1.10	9.9	10042	146.91	63	1.20	12	8193	119.86	65	1.50	13	7472	109.31	66	1.65	15	6466	94.60	67	1.90	17	5706	83.47	68	2.10	20	4928	72.09	69	2.50	22	4579	66.99	69	2.70	24	4176	61.09	70	2.90	28	3614	52.87	70	3.40	10	9646	141.12	22	0.80	11	8762	128.18	45	0.85	13	7773	113.72	50	0.95	14	7054	103.20	52	1.05	16	6063	88.70	53	1.25	GR179R109 GRF179R109							GR149 GRF149							GR179R99 GRF179R99							GR139 GRF139																																																																																																																																																																								
746	94	1.93	4.4	3.70	GRX79 GRXF79	4P	5.5	18302	177.89			128	1.85	GR179 GRF179	6P																																																																																																																																																																																																																																																																																																																																																																																																																																																																																																																																																								
900	78	1.60	4.2	3.90			1036	67	1.39			4.0	4.20			443					158	3.25	3.6			1.10	468	149	3.08	3.7			1.25	533	131	2.70	3.6	1.60	593	118	2.43	3.5	1.75	GRX69 GRXF69	4P	6.3	15943	154.96	128	2.05	GR169 GRF169	6P	676	103	2.13	3.4	1.85	766	91	1.88	3.3	2.00			862	81	1.67			3.2	2.10			1014			69	1.42	3.1	2.20	567			123	2.54	1.4	0.95	GR169 GRF169	4P	6.4	15702	137.3	128	1.75	GR179 GRF179	4P	600	116	2.40	1.5	1.00	706	99	2.04	1.7	1.30	774	90	1.86	1.8			1.35			894	78	1.61			2.0		1.40	1029		68	1.40			2.0	1.50	11kW							5.2	19232	186.93	114	0.90	GR169 GRF169	6P	2.5	38313	590	128	1.0	3.0	31949	492	128	1.1	3.2	29222	450	128	1.3	3.6	26170	403	128	1.4	4.0	23637	364	128	1.5		4.4	21494		331	128	1.7	5.0	19026	293	128	1.9	5.5	17273	266	128	2.1	6.4	14871	229	128	2.5	7.3	12987	200	128	2.8	2.4	40326	621	128	0.9	2.6	36559	563	128	1.0	3.0	31235	481	128	1.2	3.1	30975	477	128	1.2	3.6	26494	408	128	1.4	4.1	23117	356	128	1.6	4.9	19156	295	128	1.9	6.6	15115	146.91	34	0.80	8.1	12332	119.86	59	1.00	8.9	11246	109.31	61	1.10	10	9733	94.60	64	1.25	12	8588	83.47	66	1.40	8.9	11163	163.31	61	1.10	9.9	10042	146.91	63	1.20	12	8193	119.86	65	1.50	13	7472	109.31	66	1.65	15	6466	94.60	67	1.90	17	5706	83.47	68	2.10	20	4928	72.09	69	2.50	22	4579	66.99	69	2.70	24	4176	61.09	70	2.90	28	3614	52.87	70	3.40	10	9646	141.12	22	0.80	11	8762	128.18	45	0.85	13	7773	113.72	50	0.95	14	7054	103.20	52	1.05	16	6063	88.70	53	1.25	GR179R109 GRF179R109							GR149 GRF149							GR179R99 GRF179R99							GR139 GRF139																																																																																																																																																																																																					
1036	67	1.39	4.0	4.20			443	158	3.25			3.6	1.10			468			149	3.08	3.7	1.25	533			131	2.70	3.6	1.60	593	118	2.43	3.5	1.75	GRX69 GRXF69	4P	6.3	15943	154.96	128	2.05	GR169 GRF169	6P			676	103	2.13	3.4	1.85			766	91	1.88	3.3	2.00	862	81	1.67	3.2	2.10			1014	69	1.42			3.1	2.20	567	123	2.54			1.4	0.95	GR169 GRF169	4P	6.4	15702	137.3	128	1.75	GR179 GRF179	4P			600	116	2.40	1.5	1.00			706	99	2.04	1.7	1.30	774	90	1.86	1.8	1.35	894	78	1.61	2.0			1.40			1029	68	1.40			2.0	1.50	11kW							5.2	19232	186.93	114	0.90	GR169 GRF169	6P	2.5	38313	590	128	1.0	3.0	31949			492	128	1.1	3.2	29222	450	128	1.3	3.6	26170	403	128	1.4	4.0	23637	364	128	1.5	4.4	21494	331	128	1.7	5.0	19026	293	128	1.9	5.5	17273	266	128	2.1	6.4	14871	229	128	2.5	7.3	12987	200	128	2.8	2.4	40326	621	128	0.9	2.6	36559	563	128	1.0	3.0	31235	481	128	1.2	3.1	30975	477	128	1.2	3.6	26494	408	128	1.4	4.1	23117	356	128	1.6	4.9	19156	295	128	1.9	6.6	15115	146.91	34	0.80	8.1	12332	119.86	59	1.00	8.9	11246	109.31	61	1.10	10	9733	94.60	64	1.25	12	8588	83.47	66	1.40	8.9	11163	163.31	61	1.10	9.9	10042	146.91	63	1.20	12	8193	119.86	65	1.50	13	7472	109.31	66	1.65	15	6466	94.60	67	1.90	17	5706	83.47	68	2.10	20	4928	72.09	69	2.50	22	4579	66.99	69	2.70	24	4176	61.09	70	2.90	28	3614	52.87	70	3.40	10	9646	141.12	22	0.80	11	8762	128.18	45	0.85	13	7773	113.72	50	0.95	14	7054	103.20	52	1.05	16	6063	88.70	53	1.25	GR179R109 GRF179R109							GR149 GRF149							GR179R99 GRF179R99							GR139 GRF139																																																																																																																																																																																																														
443	158	3.25	3.6	1.10			468	149	3.08			3.7	1.25	533	131	2.70			3.6	1.60	593	118	2.43	3.5	1.75	GRX69 GRXF69	4P	6.3	15943	154.96	128	2.05	GR169 GRF169	6P			676	103	2.13	3.4	1.85					766	91	1.88	3.3	2.00			862	81	1.67	3.2	2.10	1014	69	1.42	3.1	2.20			567	123	2.54			1.4	0.95	GR169 GRF169	4P	6.4	15702	137.3	128	1.75			GR179 GRF179	4P	600	116	2.40					1.5	1.00	706	99	2.04			1.7	1.30	774	90	1.86	1.8	1.35	894	78	1.61	2.0	1.40	1029	68			1.40			2.0	1.50	11kW							5.2	19232	186.93	114	0.90	GR169 GRF169	6P	2.5	38313	590			128	1.0	3.0	31949	492	128	1.1			3.2	29222	450	128	1.3	3.6	26170	403	128	1.4	4.0	23637	364	128	1.5	4.4	21494	331	128	1.7	5.0	19026	293	128	1.9	5.5	17273	266	128	2.1	6.4	14871	229	128	2.5	7.3	12987	200	128	2.8	2.4	40326	621	128	0.9	2.6	36559	563	128	1.0	3.0	31235	481	128	1.2	3.1	30975	477	128	1.2	3.6	26494	408	128	1.4	4.1	23117	356	128	1.6	4.9	19156	295	128	1.9	6.6	15115	146.91	34	0.80	8.1	12332	119.86	59	1.00	8.9	11246	109.31	61	1.10	10	9733	94.60	64	1.25	12	8588	83.47	66	1.40	8.9	11163	163.31	61	1.10	9.9	10042	146.91	63	1.20	12	8193	119.86	65	1.50	13	7472	109.31	66	1.65	15	6466	94.60	67	1.90	17	5706	83.47	68	2.10	20	4928	72.09	69	2.50	22	4579	66.99	69	2.70	24	4176	61.09	70	2.90	28	3614	52.87	70	3.40	10	9646	141.12	22	0.80	11	8762	128.18	45	0.85	13	7773	113.72	50	0.95	14	7054	103.20	52	1.05	16	6063	88.70	53	1.25	GR179R109 GRF179R109							GR149 GRF149							GR179R99 GRF179R99							GR139 GRF139																																																																																																																																																																																																																	
468	149	3.08	3.7	1.25			533	131	2.70			3.6	1.60	593	118	2.43	3.5	1.75	GRX69 GRXF69	4P	6.3	15943	154.96	128	2.05			GR169 GRF169	6P	676	103	2.13					3.4	1.85	766	91	1.88					3.3	2.00	862	81	1.67	3.2	2.10	1014	69	1.42	3.1	2.20	567	123	2.54	1.4	0.95			GR169 GRF169	4P	6.4	15702	137.3	128	1.75			GR179 GRF179	4P	600	116	2.40					1.5	1.00	706					99	2.04	1.7	1.30	774	90	1.86	1.8	1.35	894	78	1.61	2.0	1.40	1029	68	1.40	2.0	1.50	11kW							5.2	19232	186.93	114	0.90	GR169 GRF169	6P	2.5	38313	590	128	1.0	3.0	31949			492	128	1.1			3.2	29222	450	128	1.3	3.6	26170	403	128	1.4	4.0	23637	364	128	1.5	4.4	21494	331	128	1.7	5.0	19026	293	128	1.9	5.5	17273	266	128	2.1	6.4	14871	229	128	2.5	7.3	12987	200	128	2.8	2.4	40326	621	128	0.9	2.6	36559	563	128	1.0	3.0	31235	481	128	1.2	3.1	30975	477	128	1.2	3.6	26494	408	128	1.4	4.1	23117	356	128	1.6	4.9	19156	295	128	1.9	6.6	15115	146.91	34	0.80	8.1	12332	119.86	59	1.00	8.9	11246	109.31	61	1.10	10	9733	94.60	64	1.25	12	8588	83.47	66	1.40	8.9	11163	163.31	61	1.10	9.9	10042	146.91	63	1.20	12	8193	119.86	65	1.50	13	7472	109.31	66	1.65	15	6466	94.60	67	1.90	17	5706	83.47	68	2.10	20	4928	72.09	69	2.50	22	4579	66.99	69	2.70	24	4176	61.09	70	2.90	28	3614	52.87	70	3.40	10	9646	141.12	22	0.80	11	8762	128.18	45	0.85	13	7773	113.72	50	0.95	14	7054	103.20	52	1.05	16	6063	88.70	53	1.25	GR179R109 GRF179R109							GR149 GRF149							GR179R99 GRF179R99							GR139 GRF139																																																																																																																																																																																																																										
533	131	2.70	3.6	1.60			593	118	2.43	3.5	1.75	GRX69 GRXF69	4P	6.3	15943	154.96	128	2.05			GR169 GRF169	6P	676	103	2.13					3.4	1.85	766					91	1.88	3.3	2.00	862	81	1.67			3.2	2.10	1014	69	1.42	3.1	2.20	567	123	2.54	1.4	0.95	GR169 GRF169	4P	6.4	15702	137.3	128	1.75			GR179 GRF179	4P	600	116	2.40					1.5	1.00	706					99	2.04	1.7	1.30	774			90	1.86	1.8	1.35	894	78	1.61	2.0	1.40	1029	68	1.40	2.0	1.50	11kW							5.2	19232	186.93	114	0.90	GR169 GRF169	6P	2.5	38313	590			128	1.0	3.0	31949	492	128	1.1			3.2	29222	450	128	1.3	3.6	26170	403	128	1.4	4.0	23637	364	128	1.5	4.4	21494	331	128	1.7	5.0	19026	293	128	1.9	5.5	17273	266	128	2.1	6.4	14871	229	128	2.5	7.3	12987	200	128	2.8	2.4	40326	621	128	0.9	2.6	36559	563	128	1.0	3.0	31235	481	128	1.2	3.1	30975	477	128	1.2	3.6	26494	408	128	1.4	4.1	23117	356	128	1.6	4.9	19156	295	128	1.9	6.6	15115	146.91	34	0.80	8.1	12332	119.86	59	1.00	8.9	11246	109.31	61	1.10	10	9733	94.60	64	1.25	12	8588	83.47	66	1.40	8.9	11163	163.31	61	1.10	9.9	10042	146.91	63	1.20	12	8193	119.86	65	1.50	13	7472	109.31	66	1.65	15	6466	94.60	67	1.90	17	5706	83.47	68	2.10	20	4928	72.09	69	2.50	22	4579	66.99	69	2.70	24	4176	61.09	70	2.90	28	3614	52.87	70	3.40	10	9646	141.12	22	0.80	11	8762	128.18	45	0.85	13	7773	113.72	50	0.95	14	7054	103.20	52	1.05	16	6063	88.70	53	1.25	GR179R109 GRF179R109							GR149 GRF149							GR179R99 GRF179R99							GR139 GRF139																																																																																																																																																																																																																															
593	118	2.43	3.5	1.75	GRX69 GRXF69	4P	6.3	15943	154.96	128	2.05			GR169 GRF169	6P																																																																																																																																																																																																																																																																																																																																																																																																																																																																																																																																																								
676	103	2.13	3.4	1.85			766	91	1.88	3.3	2.00					862	81	1.67					3.2	2.10	1014			69	1.42	3.1	2.20	567	123	2.54			1.4	0.95	GR169 GRF169	4P	6.4	15702	137.3	128	1.75	GR179 GRF179	4P	600	116	2.40	1.5	1.00	706	99	2.04	1.7	1.30			774	90	1.86	1.8	1.35					894	78	1.61			2.0	1.40	1029	68	1.40			2.0	1.50	11kW							5.2	19232	186.93	114	0.90	GR169 GRF169	6P	2.5	38313	590	128	1.0	3.0	31949	492	128	1.1	3.2	29222	450	128	1.3	3.6	26170	403	128			1.4	4.0	23637	364	128	1.5	4.4	21494	331	128	1.7	5.0	19026	293	128	1.9	5.5	17273	266	128	2.1	6.4	14871	229	128	2.5	7.3	12987	200	128	2.8	2.4	40326	621	128	0.9	2.6	36559	563	128	1.0	3.0	31235	481	128	1.2	3.1	30975	477	128	1.2	3.6	26494	408	128	1.4	4.1	23117	356	128	1.6	4.9	19156	295	128	1.9	6.6	15115	146.91	34	0.80	8.1	12332	119.86	59	1.00	8.9	11246	109.31	61	1.10	10	9733	94.60	64	1.25	12	8588	83.47	66	1.40	8.9	11163	163.31	61	1.10	9.9	10042	146.91	63	1.20	12	8193	119.86	65	1.50	13	7472	109.31	66	1.65	15	6466	94.60	67	1.90	17	5706	83.47	68	2.10	20	4928	72.09	69	2.50	22	4579	66.99	69	2.70	24	4176	61.09	70	2.90	28	3614	52.87	70	3.40	10	9646	141.12	22	0.80	11	8762	128.18	45	0.85	13	7773	113.72	50	0.95	14	7054	103.20	52	1.05	16	6063	88.70	53	1.25	GR179R109 GRF179R109							GR149 GRF149							GR179R99 GRF179R99							GR139 GRF139																																																																																																																																																																																																																																																						
766	91	1.88	3.3	2.00			862	81	1.67	3.2	2.10					1014	69	1.42			3.1	2.20	567	123	2.54			1.4	0.95	GR169 GRF169	4P	6.4	15702	137.3	128	1.75	GR179 GRF179	4P			600	116	2.40	1.5	1.00			706	99	2.04	1.7	1.30	774	90	1.86	1.8	1.35			894	78	1.61	2.0	1.40			1029	68	1.40	2.0	1.50			11kW							5.2	19232	186.93	114	0.90	GR169 GRF169	6P	2.5	38313	590	128	1.0	3.0	31949			492	128	1.1	3.2	29222	450	128	1.3	3.6	26170	403	128	1.4	4.0	23637	364	128	1.5	4.4	21494	331	128	1.7	5.0	19026	293	128	1.9	5.5	17273	266	128	2.1	6.4	14871	229	128	2.5	7.3	12987	200	128	2.8	2.4	40326	621	128	0.9	2.6	36559	563	128	1.0	3.0	31235	481	128	1.2	3.1	30975	477	128	1.2	3.6	26494	408	128	1.4	4.1	23117	356	128	1.6	4.9	19156	295	128	1.9	6.6	15115	146.91	34	0.80	8.1	12332	119.86	59	1.00	8.9	11246	109.31	61	1.10	10	9733	94.60	64	1.25	12	8588	83.47	66	1.40	8.9	11163	163.31	61	1.10	9.9	10042	146.91	63	1.20	12	8193	119.86	65	1.50	13	7472	109.31	66	1.65	15	6466	94.60	67	1.90	17	5706	83.47	68	2.10	20	4928	72.09	69	2.50	22	4579	66.99	69	2.70	24	4176	61.09	70	2.90	28	3614	52.87	70	3.40	10	9646	141.12	22	0.80	11	8762	128.18	45	0.85	13	7773	113.72	50	0.95	14	7054	103.20	52	1.05	16	6063	88.70	53	1.25	GR179R109 GRF179R109							GR149 GRF149							GR179R99 GRF179R99							GR139 GRF139																																																																																																																																																																																																																																																															
862	81	1.67	3.2	2.10			1014	69	1.42	3.1	2.20			567	123	2.54	1.4	0.95			GR169 GRF169	4P	6.4	15702	137.3	128	1.75	GR179 GRF179	4P			600	116	2.40	1.5	1.00					706	99	2.04	1.7	1.30			774	90	1.86	1.8	1.35	894	78	1.61	2.0	1.40			1029	68	1.40	2.0	1.50			11kW							5.2	19232	186.93	114	0.90	GR169 GRF169	6P	2.5	38313	590	128	1.0			3.0	31949	492	128	1.1	3.2	29222			450	128	1.3	3.6	26170	403	128	1.4	4.0	23637	364	128	1.5	4.4	21494	331	128	1.7	5.0	19026	293	128	1.9	5.5	17273	266	128	2.1	6.4	14871	229	128	2.5	7.3	12987	200	128	2.8	2.4	40326	621	128	0.9	2.6	36559	563	128	1.0	3.0	31235	481	128	1.2	3.1	30975	477	128	1.2	3.6	26494	408	128	1.4	4.1	23117	356	128	1.6	4.9	19156	295	128	1.9	6.6	15115	146.91	34	0.80	8.1	12332	119.86	59	1.00	8.9	11246	109.31	61	1.10	10	9733	94.60	64	1.25	12	8588	83.47	66	1.40	8.9	11163	163.31	61	1.10	9.9	10042	146.91	63	1.20	12	8193	119.86	65	1.50	13	7472	109.31	66	1.65	15	6466	94.60	67	1.90	17	5706	83.47	68	2.10	20	4928	72.09	69	2.50	22	4579	66.99	69	2.70	24	4176	61.09	70	2.90	28	3614	52.87	70	3.40	10	9646	141.12	22	0.80	11	8762	128.18	45	0.85	13	7773	113.72	50	0.95	14	7054	103.20	52	1.05	16	6063	88.70	53	1.25	GR179R109 GRF179R109							GR149 GRF149							GR179R99 GRF179R99							GR139 GRF139																																																																																																																																																																																																																																																																				
1014	69	1.42	3.1	2.20			567	123	2.54	1.4	0.95			GR169 GRF169	4P	6.4	15702	137.3	128	1.75			GR179 GRF179	4P	600	116	2.40					1.5	1.00	706	99	2.04					1.7	1.30	774	90	1.86	1.8	1.35	894	78	1.61	2.0	1.40	1029	68	1.40	2.0	1.50			11kW							5.2	19232	186.93	114	0.90	GR169 GRF169	6P	2.5	38313	590	128	1.0			3.0	31949	492	128	1.1			3.2	29222	450	128	1.3	3.6	26170	403	128	1.4	4.0	23637	364	128	1.5	4.4	21494	331	128	1.7	5.0	19026	293	128	1.9	5.5	17273	266	128	2.1	6.4	14871	229	128	2.5	7.3	12987	200	128	2.8	2.4	40326	621	128	0.9	2.6	36559	563	128	1.0	3.0	31235	481	128	1.2	3.1	30975	477	128	1.2	3.6	26494	408	128	1.4	4.1	23117	356	128	1.6	4.9	19156	295	128	1.9	6.6	15115	146.91	34	0.80	8.1	12332	119.86	59	1.00	8.9	11246	109.31	61	1.10	10	9733	94.60	64	1.25	12	8588	83.47	66	1.40	8.9	11163	163.31	61	1.10	9.9	10042	146.91	63	1.20	12	8193	119.86	65	1.50	13	7472	109.31	66	1.65	15	6466	94.60	67	1.90	17	5706	83.47	68	2.10	20	4928	72.09	69	2.50	22	4579	66.99	69	2.70	24	4176	61.09	70	2.90	28	3614	52.87	70	3.40	10	9646	141.12	22	0.80	11	8762	128.18	45	0.85	13	7773	113.72	50	0.95	14	7054	103.20	52	1.05	16	6063	88.70	53	1.25	GR179R109 GRF179R109							GR149 GRF149							GR179R99 GRF179R99							GR139 GRF139																																																																																																																																																																																																																																																																											
567	123	2.54	1.4	0.95			GR169 GRF169	4P	6.4	15702	137.3	128	1.75			GR179 GRF179	4P																																																																																																																																																																																																																																																																																																																																																																																																																																																																																																																																																						
600	116	2.40	1.5	1.00	706	99			2.04	1.7	1.30	774	90					1.86	1.8	1.35					894	78	1.61	2.0	1.40			1029	68	1.40	2.0	1.50	11kW							5.2	19232	186.93	114	0.90	GR169 GRF169	6P	2.5	38313	590	128	1.0	3.0	31949	492	128	1.1	3.2	29222	450	128	1.3	3.6	26170	403	128	1.4	4.0			23637	364	128	1.5	4.4	21494	331	128	1.7	5.0	19026	293	128	1.9	5.5	17273	266	128	2.1	6.4	14871	229	128	2.5	7.3	12987	200	128	2.8	2.4	40326	621	128	0.9	2.6	36559	563	128	1.0	3.0	31235	481	128	1.2	3.1	30975	477	128	1.2	3.6	26494	408	128	1.4	4.1	23117	356	128	1.6	4.9	19156	295	128	1.9	6.6	15115	146.91	34	0.80	8.1	12332	119.86	59	1.00	8.9	11246	109.31	61	1.10	10	9733	94.60	64	1.25	12	8588	83.47	66	1.40	8.9	11163	163.31	61	1.10	9.9	10042	146.91	63	1.20	12	8193	119.86	65	1.50	13	7472	109.31	66	1.65	15	6466	94.60	67	1.90	17	5706	83.47	68	2.10	20	4928	72.09	69	2.50	22	4579	66.99	69	2.70	24	4176	61.09	70	2.90	28	3614	52.87	70	3.40	10	9646	141.12	22	0.80	11	8762	128.18	45	0.85	13	7773	113.72	50	0.95	14	7054	103.20	52	1.05	16	6063	88.70	53	1.25	GR179R109 GRF179R109							GR149 GRF149							GR179R99 GRF179R99							GR139 GRF139																																																																																																																																																																																																																																																																																																				
706	99	2.04	1.7	1.30	774	90			1.86	1.8	1.35	894	78					1.61	2.0	1.40			1029	68	1.40	2.0	1.50	11kW							5.2	19232	186.93	114	0.90	GR169 GRF169	6P	2.5	38313	590	128	1.0	3.0	31949			492	128	1.1	3.2	29222	450	128	1.3	3.6	26170	403	128	1.4	4.0	23637	364	128	1.5	4.4	21494	331	128	1.7	5.0	19026	293	128	1.9	5.5	17273	266	128	2.1	6.4	14871	229	128	2.5	7.3	12987	200	128	2.8	2.4	40326	621	128	0.9	2.6	36559	563	128	1.0	3.0	31235	481	128	1.2	3.1	30975	477	128	1.2	3.6	26494	408	128	1.4	4.1	23117	356	128	1.6	4.9	19156	295	128	1.9	6.6	15115	146.91	34	0.80	8.1	12332	119.86	59	1.00	8.9	11246	109.31	61	1.10	10	9733	94.60	64	1.25	12	8588	83.47	66	1.40	8.9	11163	163.31	61	1.10	9.9	10042	146.91	63	1.20	12	8193	119.86	65	1.50	13	7472	109.31	66	1.65	15	6466	94.60	67	1.90	17	5706	83.47	68	2.10	20	4928	72.09	69	2.50	22	4579	66.99	69	2.70	24	4176	61.09	70	2.90	28	3614	52.87	70	3.40	10	9646	141.12	22	0.80	11	8762	128.18	45	0.85	13	7773	113.72	50	0.95	14	7054	103.20	52	1.05	16	6063	88.70	53	1.25	GR179R109 GRF179R109							GR149 GRF149							GR179R99 GRF179R99							GR139 GRF139																																																																																																																																																																																																																																																																																																													
774	90	1.86	1.8	1.35	894	78			1.61	2.0	1.40	1029	68			1.40	2.0	1.50	11kW							5.2	19232	186.93	114	0.90	GR169 GRF169	6P	2.5	38313	590	128	1.0	3.0	31949			492	128	1.1	3.2	29222	450	128			1.3	3.6	26170	403	128	1.4	4.0	23637	364	128	1.5	4.4	21494	331	128	1.7	5.0	19026	293	128	1.9	5.5	17273	266	128	2.1	6.4	14871	229	128	2.5	7.3	12987	200	128	2.8	2.4	40326	621	128	0.9	2.6	36559	563	128	1.0	3.0	31235	481	128	1.2	3.1	30975	477	128	1.2	3.6	26494	408	128	1.4	4.1	23117	356	128	1.6	4.9	19156	295	128	1.9	6.6	15115	146.91	34	0.80	8.1	12332	119.86	59	1.00	8.9	11246	109.31	61	1.10	10	9733	94.60	64	1.25	12	8588	83.47	66	1.40	8.9	11163	163.31	61	1.10	9.9	10042	146.91	63	1.20	12	8193	119.86	65	1.50	13	7472	109.31	66	1.65	15	6466	94.60	67	1.90	17	5706	83.47	68	2.10	20	4928	72.09	69	2.50	22	4579	66.99	69	2.70	24	4176	61.09	70	2.90	28	3614	52.87	70	3.40	10	9646	141.12	22	0.80	11	8762	128.18	45	0.85	13	7773	113.72	50	0.95	14	7054	103.20	52	1.05	16	6063	88.70	53	1.25	GR179R109 GRF179R109							GR149 GRF149							GR179R99 GRF179R99							GR139 GRF139																																																																																																																																																																																																																																																																																																																				
894	78	1.61	2.0	1.40	1029	68			1.40	2.0	1.50	11kW							5.2	19232	186.93	114	0.90	GR169 GRF169	6P	2.5	38313	590	128	1.0			3.0	31949	492	128	1.1	3.2	29222			450	128	1.3	3.6	26170	403	128	1.4	4.0	23637	364	128	1.5	4.4	21494	331	128	1.7	5.0	19026	293	128	1.9	5.5	17273	266	128	2.1	6.4	14871	229	128	2.5	7.3	12987	200	128	2.8	2.4	40326	621	128	0.9	2.6	36559	563	128	1.0	3.0	31235	481	128	1.2	3.1	30975	477	128	1.2	3.6	26494	408	128	1.4	4.1	23117	356	128	1.6	4.9	19156	295	128	1.9	6.6	15115	146.91	34	0.80	8.1	12332	119.86	59	1.00	8.9	11246	109.31	61	1.10	10	9733	94.60	64	1.25	12	8588	83.47	66	1.40	8.9	11163	163.31	61	1.10	9.9	10042	146.91	63	1.20	12	8193	119.86	65	1.50	13	7472	109.31	66	1.65	15	6466	94.60	67	1.90	17	5706	83.47	68	2.10	20	4928	72.09	69	2.50	22	4579	66.99	69	2.70	24	4176	61.09	70	2.90	28	3614	52.87	70	3.40	10	9646	141.12	22	0.80	11	8762	128.18	45	0.85	13	7773	113.72	50	0.95	14	7054	103.20	52	1.05	16	6063	88.70	53	1.25	GR179R109 GRF179R109							GR149 GRF149							GR179R99 GRF179R99							GR139 GRF139																																																																																																																																																																																																																																																																																																																											
1029	68	1.40	2.0	1.50	11kW							5.2	19232	186.93	114	0.90	GR169 GRF169	6P	2.5	38313	590	128	1.0			3.0	31949	492	128	1.1			3.2	29222	450	128	1.3	3.6	26170	403	128	1.4	4.0	23637	364	128	1.5	4.4	21494	331	128	1.7	5.0	19026	293	128	1.9	5.5	17273	266	128	2.1	6.4	14871	229	128	2.5	7.3	12987	200	128	2.8	2.4	40326	621	128	0.9	2.6	36559	563	128	1.0	3.0	31235	481	128	1.2	3.1	30975	477	128	1.2	3.6	26494	408	128	1.4	4.1	23117	356	128	1.6	4.9	19156	295	128	1.9	6.6	15115	146.91	34	0.80	8.1	12332	119.86	59	1.00	8.9	11246	109.31	61	1.10	10	9733	94.60	64	1.25	12	8588	83.47	66	1.40	8.9	11163	163.31	61	1.10	9.9	10042	146.91	63	1.20	12	8193	119.86	65	1.50	13	7472	109.31	66	1.65	15	6466	94.60	67	1.90	17	5706	83.47	68	2.10	20	4928	72.09	69	2.50	22	4579	66.99	69	2.70	24	4176	61.09	70	2.90	28	3614	52.87	70	3.40	10	9646	141.12	22	0.80	11	8762	128.18	45	0.85	13	7773	113.72	50	0.95	14	7054	103.20	52	1.05	16	6063	88.70	53	1.25	GR179R109 GRF179R109							GR149 GRF149							GR179R99 GRF179R99							GR139 GRF139																																																																																																																																																																																																																																																																																																																																		
11kW							5.2	19232	186.93	114	0.90	GR169 GRF169	6P																																																																																																																																																																																																																																																																																																																																																																																																																																																																																																																																																										
2.5	38313	590	128	1.0	3.0	31949	492	128	1.1	3.2	29222			450	128	1.3			3.6	26170	403	128	1.4	4.0	23637	364	128	1.5	4.4	21494	331	128	1.7	5.0	19026	293	128	1.9	5.5	17273	266	128	2.1	6.4	14871	229	128	2.5	7.3	12987	200	128	2.8	2.4	40326	621	128	0.9	2.6	36559	563	128	1.0	3.0	31235	481	128	1.2	3.1	30975	477	128	1.2	3.6	26494	408	128	1.4	4.1	23117	356	128	1.6	4.9	19156	295	128	1.9	6.6	15115	146.91	34	0.80	8.1	12332	119.86	59	1.00	8.9	11246	109.31	61	1.10	10	9733	94.60	64	1.25	12	8588	83.47	66	1.40	8.9	11163	163.31	61	1.10	9.9	10042	146.91	63	1.20	12	8193	119.86	65	1.50	13	7472	109.31	66	1.65	15	6466	94.60	67	1.90	17	5706	83.47	68	2.10	20	4928	72.09	69	2.50	22	4579	66.99	69	2.70	24	4176	61.09	70	2.90	28	3614	52.87	70	3.40	10	9646	141.12	22	0.80	11	8762	128.18	45	0.85	13	7773	113.72	50	0.95	14	7054	103.20	52	1.05	16	6063	88.70	53	1.25	GR179R109 GRF179R109							GR149 GRF149							GR179R99 GRF179R99							GR139 GRF139																																																																																																																																																																																																																																																																																																																																																					
3.0	31949	492	128	1.1	3.2	29222	450	128	1.3	3.6	26170			403	128	1.4	4.0	23637	364	128	1.5	4.4	21494	331	128	1.7	5.0	19026	293	128	1.9	5.5	17273	266	128	2.1	6.4	14871	229	128	2.5	7.3	12987	200	128	2.8	2.4	40326	621	128	0.9	2.6	36559	563	128	1.0	3.0	31235	481	128	1.2	3.1	30975	477	128	1.2	3.6	26494	408	128	1.4	4.1	23117	356	128	1.6	4.9	19156	295	128	1.9	6.6	15115	146.91	34	0.80	8.1	12332	119.86	59	1.00	8.9	11246	109.31	61	1.10	10	9733	94.60	64	1.25	12	8588	83.47	66	1.40	8.9	11163	163.31	61	1.10	9.9	10042	146.91	63	1.20	12	8193	119.86	65	1.50	13	7472	109.31	66	1.65	15	6466	94.60	67	1.90	17	5706	83.47	68	2.10	20	4928	72.09	69	2.50	22	4579	66.99	69	2.70	24	4176	61.09	70	2.90	28	3614	52.87	70	3.40	10	9646	141.12	22	0.80	11	8762	128.18	45	0.85	13	7773	113.72	50	0.95	14	7054	103.20	52	1.05	16	6063	88.70	53	1.25	GR179R109 GRF179R109							GR149 GRF149							GR179R99 GRF179R99							GR139 GRF139																																																																																																																																																																																																																																																																																																																																																												
3.2	29222	450	128	1.3	3.6	26170	403	128	1.4	4.0	23637	364	128	1.5	4.4	21494	331	128	1.7	5.0	19026	293	128	1.9	5.5	17273	266	128	2.1	6.4	14871	229	128	2.5	7.3	12987	200	128	2.8	2.4	40326	621	128	0.9	2.6	36559	563	128	1.0	3.0	31235	481	128	1.2	3.1	30975	477	128	1.2	3.6	26494	408	128	1.4	4.1	23117	356	128	1.6	4.9	19156	295	128	1.9	6.6	15115	146.91	34	0.80	8.1	12332	119.86	59	1.00	8.9	11246	109.31	61	1.10	10	9733	94.60	64	1.25	12	8588	83.47	66	1.40	8.9	11163	163.31	61	1.10	9.9	10042	146.91	63	1.20	12	8193	119.86	65	1.50	13	7472	109.31	66	1.65	15	6466	94.60	67	1.90	17	5706	83.47	68	2.10	20	4928	72.09	69	2.50	22	4579	66.99	69	2.70	24	4176	61.09	70	2.90	28	3614	52.87	70	3.40	10	9646	141.12	22	0.80	11	8762	128.18	45	0.85	13	7773	113.72	50	0.95	14	7054	103.20	52	1.05	16	6063	88.70	53	1.25	GR179R109 GRF179R109							GR149 GRF149							GR179R99 GRF179R99							GR139 GRF139																																																																																																																																																																																																																																																																																																																																																																			
3.6	26170	403	128	1.4	4.0	23637	364	128	1.5	4.4	21494	331	128	1.7	5.0	19026	293	128	1.9	5.5	17273	266	128	2.1	6.4	14871	229	128	2.5	7.3	12987	200	128	2.8	2.4	40326	621	128	0.9	2.6	36559	563	128	1.0	3.0	31235	481	128	1.2	3.1	30975	477	128	1.2	3.6	26494	408	128	1.4	4.1	23117	356	128	1.6	4.9	19156	295	128	1.9	6.6	15115	146.91	34	0.80	8.1	12332	119.86	59	1.00	8.9	11246	109.31	61	1.10	10	9733	94.60	64	1.25	12	8588	83.47	66	1.40	8.9	11163	163.31	61	1.10	9.9	10042	146.91	63	1.20	12	8193	119.86	65	1.50	13	7472	109.31	66	1.65	15	6466	94.60	67	1.90	17	5706	83.47	68	2.10	20	4928	72.09	69	2.50	22	4579	66.99	69	2.70	24	4176	61.09	70	2.90	28	3614	52.87	70	3.40	10	9646	141.12	22	0.80	11	8762	128.18	45	0.85	13	7773	113.72	50	0.95	14	7054	103.20	52	1.05	16	6063	88.70	53	1.25	GR179R109 GRF179R109							GR149 GRF149							GR179R99 GRF179R99							GR139 GRF139																																																																																																																																																																																																																																																																																																																																																																								
4.0	23637	364	128	1.5	4.4	21494	331	128	1.7	5.0	19026	293	128	1.9	5.5	17273	266	128	2.1	6.4	14871	229	128	2.5	7.3	12987	200	128	2.8	2.4	40326	621	128	0.9	2.6	36559	563	128	1.0	3.0	31235	481	128	1.2	3.1	30975	477	128	1.2	3.6	26494	408	128	1.4	4.1	23117	356	128	1.6	4.9	19156	295	128	1.9	6.6	15115	146.91	34	0.80	8.1	12332	119.86	59	1.00	8.9	11246	109.31	61	1.10	10	9733	94.60	64	1.25	12	8588	83.47	66	1.40	8.9	11163	163.31	61	1.10	9.9	10042	146.91	63	1.20	12	8193	119.86	65	1.50	13	7472	109.31	66	1.65	15	6466	94.60	67	1.90	17	5706	83.47	68	2.10	20	4928	72.09	69	2.50	22	4579	66.99	69	2.70	24	4176	61.09	70	2.90	28	3614	52.87	70	3.40	10	9646	141.12	22	0.80	11	8762	128.18	45	0.85	13	7773	113.72	50	0.95	14	7054	103.20	52	1.05	16	6063	88.70	53	1.25	GR179R109 GRF179R109							GR149 GRF149							GR179R99 GRF179R99							GR139 GRF139																																																																																																																																																																																																																																																																																																																																																																													
4.4	21494	331	128	1.7	5.0	19026	293	128	1.9	5.5	17273	266	128	2.1	6.4	14871	229	128	2.5	7.3	12987	200	128	2.8	2.4	40326	621	128	0.9	2.6	36559	563	128	1.0	3.0	31235	481	128	1.2	3.1	30975	477	128	1.2	3.6	26494	408	128	1.4	4.1	23117	356	128	1.6	4.9	19156	295	128	1.9	6.6	15115	146.91	34	0.80	8.1	12332	119.86	59	1.00	8.9	11246	109.31	61	1.10	10	9733	94.60	64	1.25	12	8588	83.47	66	1.40	8.9	11163	163.31	61	1.10	9.9	10042	146.91	63	1.20	12	8193	119.86	65	1.50	13	7472	109.31	66	1.65	15	6466	94.60	67	1.90	17	5706	83.47	68	2.10	20	4928	72.09	69	2.50	22	4579	66.99	69	2.70	24	4176	61.09	70	2.90	28	3614	52.87	70	3.40	10	9646	141.12	22	0.80	11	8762	128.18	45	0.85	13	7773	113.72	50	0.95	14	7054	103.20	52	1.05	16	6063	88.70	53	1.25	GR179R109 GRF179R109							GR149 GRF149							GR179R99 GRF179R99							GR139 GRF139																																																																																																																																																																																																																																																																																																																																																																																		
5.0	19026	293	128	1.9	5.5	17273	266	128	2.1	6.4	14871	229	128	2.5	7.3	12987	200	128	2.8	2.4	40326	621	128	0.9	2.6	36559	563	128	1.0	3.0	31235	481	128	1.2	3.1	30975	477	128	1.2	3.6	26494	408	128	1.4	4.1	23117	356	128	1.6	4.9	19156	295	128	1.9	6.6	15115	146.91	34	0.80	8.1	12332	119.86	59	1.00	8.9	11246	109.31	61	1.10	10	9733	94.60	64	1.25	12	8588	83.47	66	1.40	8.9	11163	163.31	61	1.10	9.9	10042	146.91	63	1.20	12	8193	119.86	65	1.50	13	7472	109.31	66	1.65	15	6466	94.60	67	1.90	17	5706	83.47	68	2.10	20	4928	72.09	69	2.50	22	4579	66.99	69	2.70	24	4176	61.09	70	2.90	28	3614	52.87	70	3.40	10	9646	141.12	22	0.80	11	8762	128.18	45	0.85	13	7773	113.72	50	0.95	14	7054	103.20	52	1.05	16	6063	88.70	53	1.25	GR179R109 GRF179R109							GR149 GRF149							GR179R99 GRF179R99							GR139 GRF139																																																																																																																																																																																																																																																																																																																																																																																							
5.5	17273	266	128	2.1	6.4	14871	229	128	2.5	7.3	12987	200	128	2.8	2.4	40326	621	128	0.9	2.6	36559	563	128	1.0	3.0	31235	481	128	1.2	3.1	30975	477	128	1.2	3.6	26494	408	128	1.4	4.1	23117	356	128	1.6	4.9	19156	295	128	1.9	6.6	15115	146.91	34	0.80	8.1	12332	119.86	59	1.00	8.9	11246	109.31	61	1.10	10	9733	94.60	64	1.25	12	8588	83.47	66	1.40	8.9	11163	163.31	61	1.10	9.9	10042	146.91	63	1.20	12	8193	119.86	65	1.50	13	7472	109.31	66	1.65	15	6466	94.60	67	1.90	17	5706	83.47	68	2.10	20	4928	72.09	69	2.50	22	4579	66.99	69	2.70	24	4176	61.09	70	2.90	28	3614	52.87	70	3.40	10	9646	141.12	22	0.80	11	8762	128.18	45	0.85	13	7773	113.72	50	0.95	14	7054	103.20	52	1.05	16	6063	88.70	53	1.25	GR179R109 GRF179R109							GR149 GRF149							GR179R99 GRF179R99							GR139 GRF139																																																																																																																																																																																																																																																																																																																																																																																												
6.4	14871	229	128	2.5	7.3	12987	200	128	2.8	2.4	40326	621	128	0.9	2.6	36559	563	128	1.0	3.0	31235	481	128	1.2	3.1	30975	477	128	1.2	3.6	26494	408	128	1.4	4.1	23117	356	128	1.6	4.9	19156	295	128	1.9	6.6	15115	146.91	34	0.80	8.1	12332	119.86	59	1.00	8.9	11246	109.31	61	1.10	10	9733	94.60	64	1.25	12	8588	83.47	66	1.40	8.9	11163	163.31	61	1.10	9.9	10042	146.91	63	1.20	12	8193	119.86	65	1.50	13	7472	109.31	66	1.65	15	6466	94.60	67	1.90	17	5706	83.47	68	2.10	20	4928	72.09	69	2.50	22	4579	66.99	69	2.70	24	4176	61.09	70	2.90	28	3614	52.87	70	3.40	10	9646	141.12	22	0.80	11	8762	128.18	45	0.85	13	7773	113.72	50	0.95	14	7054	103.20	52	1.05	16	6063	88.70	53	1.25	GR179R109 GRF179R109							GR149 GRF149							GR179R99 GRF179R99							GR139 GRF139																																																																																																																																																																																																																																																																																																																																																																																																	
7.3	12987	200	128	2.8	2.4	40326	621	128	0.9	2.6	36559	563	128	1.0	3.0	31235	481	128	1.2	3.1	30975	477	128	1.2	3.6	26494	408	128	1.4	4.1	23117	356	128	1.6	4.9	19156	295	128	1.9	6.6	15115	146.91	34	0.80	8.1	12332	119.86	59	1.00	8.9	11246	109.31	61	1.10	10	9733	94.60	64	1.25	12	8588	83.47	66	1.40	8.9	11163	163.31	61	1.10	9.9	10042	146.91	63	1.20	12	8193	119.86	65	1.50	13	7472	109.31	66	1.65	15	6466	94.60	67	1.90	17	5706	83.47	68	2.10	20	4928	72.09	69	2.50	22	4579	66.99	69	2.70	24	4176	61.09	70	2.90	28	3614	52.87	70	3.40	10	9646	141.12	22	0.80	11	8762	128.18	45	0.85	13	7773	113.72	50	0.95	14	7054	103.20	52	1.05	16	6063	88.70	53	1.25	GR179R109 GRF179R109							GR149 GRF149							GR179R99 GRF179R99							GR139 GRF139																																																																																																																																																																																																																																																																																																																																																																																																						
2.4	40326	621	128	0.9	2.6	36559	563	128	1.0	3.0	31235	481	128	1.2	3.1	30975	477	128	1.2	3.6	26494	408	128	1.4	4.1	23117	356	128	1.6	4.9	19156	295	128	1.9	6.6	15115	146.91	34	0.80	8.1	12332	119.86	59	1.00	8.9	11246	109.31	61	1.10	10	9733	94.60	64	1.25	12	8588	83.47	66	1.40	8.9	11163	163.31	61	1.10	9.9	10042	146.91	63	1.20	12	8193	119.86	65	1.50	13	7472	109.31	66	1.65	15	6466	94.60	67	1.90	17	5706	83.47	68	2.10	20	4928	72.09	69	2.50	22	4579	66.99	69	2.70	24	4176	61.09	70	2.90	28	3614	52.87	70	3.40	10	9646	141.12	22	0.80	11	8762	128.18	45	0.85	13	7773	113.72	50	0.95	14	7054	103.20	52	1.05	16	6063	88.70	53	1.25	GR179R109 GRF179R109							GR149 GRF149							GR179R99 GRF179R99							GR139 GRF139																																																																																																																																																																																																																																																																																																																																																																																																											
2.6	36559	563	128	1.0	3.0	31235	481	128	1.2	3.1	30975	477	128	1.2	3.6	26494	408	128	1.4	4.1	23117	356	128	1.6	4.9	19156	295	128	1.9	6.6	15115	146.91	34	0.80	8.1	12332	119.86	59	1.00	8.9	11246	109.31	61	1.10	10	9733	94.60	64	1.25	12	8588	83.47	66	1.40	8.9	11163	163.31	61	1.10	9.9	10042	146.91	63	1.20	12	8193	119.86	65	1.50	13	7472	109.31	66	1.65	15	6466	94.60	67	1.90	17	5706	83.47	68	2.10	20	4928	72.09	69	2.50	22	4579	66.99	69	2.70	24	4176	61.09	70	2.90	28	3614	52.87	70	3.40	10	9646	141.12	22	0.80	11	8762	128.18	45	0.85	13	7773	113.72	50	0.95	14	7054	103.20	52	1.05	16	6063	88.70	53	1.25	GR179R109 GRF179R109							GR149 GRF149							GR179R99 GRF179R99							GR139 GRF139																																																																																																																																																																																																																																																																																																																																																																																																																
3.0	31235	481	128	1.2	3.1	30975	477	128	1.2	3.6	26494	408	128	1.4	4.1	23117	356	128	1.6	4.9	19156	295	128	1.9	6.6	15115	146.91	34	0.80	8.1	12332	119.86	59	1.00	8.9	11246	109.31	61	1.10	10	9733	94.60	64	1.25	12	8588	83.47	66	1.40	8.9	11163	163.31	61	1.10	9.9	10042	146.91	63	1.20	12	8193	119.86	65	1.50	13	7472	109.31	66	1.65	15	6466	94.60	67	1.90	17	5706	83.47	68	2.10	20	4928	72.09	69	2.50	22	4579	66.99	69	2.70	24	4176	61.09	70	2.90	28	3614	52.87	70	3.40	10	9646	141.12	22	0.80	11	8762	128.18	45	0.85	13	7773	113.72	50	0.95	14	7054	103.20	52	1.05	16	6063	88.70	53	1.25	GR179R109 GRF179R109							GR149 GRF149							GR179R99 GRF179R99							GR139 GRF139																																																																																																																																																																																																																																																																																																																																																																																																																					
3.1	30975	477	128	1.2	3.6	26494	408	128	1.4	4.1	23117	356	128	1.6	4.9	19156	295	128	1.9	6.6	15115	146.91	34	0.80	8.1	12332	119.86	59	1.00	8.9	11246	109.31	61	1.10	10	9733	94.60	64	1.25	12	8588	83.47	66	1.40	8.9	11163	163.31	61	1.10	9.9	10042	146.91	63	1.20	12	8193	119.86	65	1.50	13	7472	109.31	66	1.65	15	6466	94.60	67	1.90	17	5706	83.47	68	2.10	20	4928	72.09	69	2.50	22	4579	66.99	69	2.70	24	4176	61.09	70	2.90	28	3614	52.87	70	3.40	10	9646	141.12	22	0.80	11	8762	128.18	45	0.85	13	7773	113.72	50	0.95	14	7054	103.20	52	1.05	16	6063	88.70	53	1.25	GR179R109 GRF179R109							GR149 GRF149							GR179R99 GRF179R99							GR139 GRF139																																																																																																																																																																																																																																																																																																																																																																																																																										
3.6	26494	408	128	1.4	4.1	23117	356	128	1.6	4.9	19156	295	128	1.9	6.6	15115	146.91	34	0.80	8.1	12332	119.86	59	1.00	8.9	11246	109.31	61	1.10	10	9733	94.60	64	1.25	12	8588	83.47	66	1.40	8.9	11163	163.31	61	1.10	9.9	10042	146.91	63	1.20	12	8193	119.86	65	1.50	13	7472	109.31	66	1.65	15	6466	94.60	67	1.90	17	5706	83.47	68	2.10	20	4928	72.09	69	2.50	22	4579	66.99	69	2.70	24	4176	61.09	70	2.90	28	3614	52.87	70	3.40	10	9646	141.12	22	0.80	11	8762	128.18	45	0.85	13	7773	113.72	50	0.95	14	7054	103.20	52	1.05	16	6063	88.70	53	1.25	GR179R109 GRF179R109							GR149 GRF149							GR179R99 GRF179R99							GR139 GRF139																																																																																																																																																																																																																																																																																																																																																																																																																															
4.1	23117	356	128	1.6	4.9	19156	295	128	1.9	6.6	15115	146.91	34	0.80	8.1	12332	119.86	59	1.00	8.9	11246	109.31	61	1.10	10	9733	94.60	64	1.25	12	8588	83.47	66	1.40	8.9	11163	163.31	61	1.10	9.9	10042	146.91	63	1.20	12	8193	119.86	65	1.50	13	7472	109.31	66	1.65	15	6466	94.60	67	1.90	17	5706	83.47	68	2.10	20	4928	72.09	69	2.50	22	4579	66.99	69	2.70	24	4176	61.09	70	2.90	28	3614	52.87	70	3.40	10	9646	141.12	22	0.80	11	8762	128.18	45	0.85	13	7773	113.72	50	0.95	14	7054	103.20	52	1.05	16	6063	88.70	53	1.25	GR179R109 GRF179R109							GR149 GRF149							GR179R99 GRF179R99							GR139 GRF139																																																																																																																																																																																																																																																																																																																																																																																																																																				
4.9	19156	295	128	1.9	6.6	15115	146.91	34	0.80	8.1	12332	119.86	59	1.00	8.9	11246	109.31	61	1.10	10	9733	94.60	64	1.25	12	8588	83.47	66	1.40	8.9	11163	163.31	61	1.10	9.9	10042	146.91	63	1.20	12	8193	119.86	65	1.50	13	7472	109.31	66	1.65	15	6466	94.60	67	1.90	17	5706	83.47	68	2.10	20	4928	72.09	69	2.50	22	4579	66.99	69	2.70	24	4176	61.09	70	2.90	28	3614	52.87	70	3.40	10	9646	141.12	22	0.80	11	8762	128.18	45	0.85	13	7773	113.72	50	0.95	14	7054	103.20	52	1.05	16	6063	88.70	53	1.25	GR179R109 GRF179R109							GR149 GRF149							GR179R99 GRF179R99							GR139 GRF139																																																																																																																																																																																																																																																																																																																																																																																																																																									
6.6	15115	146.91	34	0.80	8.1	12332	119.86	59	1.00	8.9	11246	109.31	61	1.10	10	9733	94.60	64	1.25	12	8588	83.47	66	1.40	8.9	11163	163.31	61	1.10	9.9	10042	146.91	63	1.20	12	8193	119.86	65	1.50	13	7472	109.31	66	1.65	15	6466	94.60	67	1.90	17	5706	83.47	68	2.10	20	4928	72.09	69	2.50	22	4579	66.99	69	2.70	24	4176	61.09	70	2.90	28	3614	52.87	70	3.40	10	9646	141.12	22	0.80	11	8762	128.18	45	0.85	13	7773	113.72	50	0.95	14	7054	103.20	52	1.05	16	6063	88.70	53	1.25	GR179R109 GRF179R109							GR149 GRF149							GR179R99 GRF179R99							GR139 GRF139																																																																																																																																																																																																																																																																																																																																																																																																																																														
8.1	12332	119.86	59	1.00	8.9	11246	109.31	61	1.10	10	9733	94.60	64	1.25	12	8588	83.47	66	1.40	8.9	11163	163.31	61	1.10	9.9	10042	146.91	63	1.20	12	8193	119.86	65	1.50	13	7472	109.31	66	1.65	15	6466	94.60	67	1.90	17	5706	83.47	68	2.10	20	4928	72.09	69	2.50	22	4579	66.99	69	2.70	24	4176	61.09	70	2.90	28	3614	52.87	70	3.40	10	9646	141.12	22	0.80	11	8762	128.18	45	0.85	13	7773	113.72	50	0.95	14	7054	103.20	52	1.05	16	6063	88.70	53	1.25	GR179R109 GRF179R109							GR149 GRF149							GR179R99 GRF179R99							GR139 GRF139																																																																																																																																																																																																																																																																																																																																																																																																																																																			
8.9	11246	109.31	61	1.10	10	9733	94.60	64	1.25	12	8588	83.47	66	1.40	8.9	11163	163.31	61	1.10	9.9	10042	146.91	63	1.20	12	8193	119.86	65	1.50	13	7472	109.31	66	1.65	15	6466	94.60	67	1.90	17	5706	83.47	68	2.10	20	4928	72.09	69	2.50	22	4579	66.99	69	2.70	24	4176	61.09	70	2.90	28	3614	52.87	70	3.40	10	9646	141.12	22	0.80	11	8762	128.18	45	0.85	13	7773	113.72	50	0.95	14	7054	103.20	52	1.05	16	6063	88.70	53	1.25	GR179R109 GRF179R109							GR149 GRF149							GR179R99 GRF179R99							GR139 GRF139																																																																																																																																																																																																																																																																																																																																																																																																																																																								
10	9733	94.60	64	1.25	12	8588	83.47	66	1.40	8.9	11163	163.31	61	1.10	9.9	10042	146.91	63	1.20	12	8193	119.86	65	1.50	13	7472	109.31	66	1.65	15	6466	94.60	67	1.90	17	5706	83.47	68	2.10	20	4928	72.09	69	2.50	22	4579	66.99	69	2.70	24	4176	61.09	70	2.90	28	3614	52.87	70	3.40	10	9646	141.12	22	0.80	11	8762	128.18	45	0.85	13	7773	113.72	50	0.95	14	7054	103.20	52	1.05	16	6063	88.70	53	1.25	GR179R109 GRF179R109							GR149 GRF149							GR179R99 GRF179R99							GR139 GRF139																																																																																																																																																																																																																																																																																																																																																																																																																																																													
12	8588	83.47	66	1.40	8.9	11163	163.31	61	1.10	9.9	10042	146.91	63	1.20	12	8193	119.86	65	1.50	13	7472	109.31	66	1.65	15	6466	94.60	67	1.90	17	5706	83.47	68	2.10	20	4928	72.09	69	2.50	22	4579	66.99	69	2.70	24	4176	61.09	70	2.90	28	3614	52.87	70	3.40	10	9646	141.12	22	0.80	11	8762	128.18	45	0.85	13	7773	113.72	50	0.95	14	7054	103.20	52	1.05	16	6063	88.70	53	1.25	GR179R109 GRF179R109							GR149 GRF149							GR179R99 GRF179R99							GR139 GRF139																																																																																																																																																																																																																																																																																																																																																																																																																																																																		
8.9	11163	163.31	61	1.10	9.9	10042	146.91	63	1.20	12	8193	119.86	65	1.50	13	7472	109.31	66	1.65	15	6466	94.60	67	1.90	17	5706	83.47	68	2.10	20	4928	72.09	69	2.50	22	4579	66.99	69	2.70	24	4176	61.09	70	2.90	28	3614	52.87	70	3.40	10	9646	141.12	22	0.80	11	8762	128.18	45	0.85	13	7773	113.72	50	0.95	14	7054	103.20	52	1.05	16	6063	88.70	53	1.25	GR179R109 GRF179R109							GR149 GRF149							GR179R99 GRF179R99							GR139 GRF139																																																																																																																																																																																																																																																																																																																																																																																																																																																																							
9.9	10042	146.91	63	1.20	12	8193	119.86	65	1.50	13	7472	109.31	66	1.65	15	6466	94.60	67	1.90	17	5706	83.47	68	2.10	20	4928	72.09	69	2.50	22	4579	66.99	69	2.70	24	4176	61.09	70	2.90	28	3614	52.87	70	3.40	10	9646	141.12	22	0.80	11	8762	128.18	45	0.85	13	7773	113.72	50	0.95	14	7054	103.20	52	1.05	16	6063	88.70	53	1.25	GR179R109 GRF179R109							GR149 GRF149							GR179R99 GRF179R99							GR139 GRF139																																																																																																																																																																																																																																																																																																																																																																																																																																																																												
12	8193	119.86	65	1.50	13	7472	109.31	66	1.65	15	6466	94.60	67	1.90	17	5706	83.47	68	2.10	20	4928	72.09	69	2.50	22	4579	66.99	69	2.70	24	4176	61.09	70	2.90	28	3614	52.87	70	3.40	10	9646	141.12	22	0.80	11	8762	128.18	45	0.85	13	7773	113.72	50	0.95	14	7054	103.20	52	1.05	16	6063	88.70	53	1.25	GR179R109 GRF179R109							GR149 GRF149							GR179R99 GRF179R99							GR139 GRF139																																																																																																																																																																																																																																																																																																																																																																																																																																																																																	
13	7472	109.31	66	1.65	15	6466	94.60	67	1.90	17	5706	83.47	68	2.10	20	4928	72.09	69	2.50	22	4579	66.99	69	2.70	24	4176	61.09	70	2.90	28	3614	52.87	70	3.40	10	9646	141.12	22	0.80	11	8762	128.18	45	0.85	13	7773	113.72	50	0.95	14	7054	103.20	52	1.05	16	6063	88.70	53	1.25	GR179R109 GRF179R109							GR149 GRF149							GR179R99 GRF179R99							GR139 GRF139																																																																																																																																																																																																																																																																																																																																																																																																																																																																																						
15	6466	94.60	67	1.90	17	5706	83.47	68	2.10	20	4928	72.09	69	2.50	22	4579	66.99	69	2.70	24	4176	61.09	70	2.90	28	3614	52.87	70	3.40	10	9646	141.12	22	0.80	11	8762	128.18	45	0.85	13	7773	113.72	50	0.95	14	7054	103.20	52	1.05	16	6063	88.70	53	1.25	GR179R109 GRF179R109							GR149 GRF149							GR179R99 GRF179R99							GR139 GRF139																																																																																																																																																																																																																																																																																																																																																																																																																																																																																											
17	5706	83.47	68	2.10	20	4928	72.09	69	2.50	22	4579	66.99	69	2.70	24	4176	61.09	70	2.90	28	3614	52.87	70	3.40	10	9646	141.12	22	0.80	11	8762	128.18	45	0.85	13	7773	113.72	50	0.95	14	7054	103.20	52	1.05	16	6063	88.70	53	1.25	GR179R109 GRF179R109							GR149 GRF149							GR179R99 GRF179R99							GR139 GRF139																																																																																																																																																																																																																																																																																																																																																																																																																																																																																																
20	4928	72.09	69	2.50	22	4579	66.99	69	2.70	24	4176	61.09	70	2.90	28	3614	52.87	70	3.40	10	9646	141.12	22	0.80	11	8762	128.18	45	0.85	13	7773	113.72	50	0.95	14	7054	103.20	52	1.05	16	6063	88.70	53	1.25	GR179R109 GRF179R109							GR149 GRF149							GR179R99 GRF179R99							GR139 GRF139																																																																																																																																																																																																																																																																																																																																																																																																																																																																																																					
22	4579	66.99	69	2.70	24	4176	61.09	70	2.90	28	3614	52.87	70	3.40	10	9646	141.12	22	0.80	11	8762	128.18	45	0.85	13	7773	113.72	50	0.95	14	7054	103.20	52	1.05	16	6063	88.70	53	1.25	GR179R109 GRF179R109							GR149 GRF149							GR179R99 GRF179R99							GR139 GRF139																																																																																																																																																																																																																																																																																																																																																																																																																																																																																																										
24	4176	61.09	70	2.90	28	3614	52.87	70	3.40	10	9646	141.12	22	0.80	11	8762	128.18	45	0.85	13	7773	113.72	50	0.95	14	7054	103.20	52	1.05	16	6063	88.70	53	1.25	GR179R109 GRF179R109							GR149 GRF149							GR179R99 GRF179R99							GR139 GRF139																																																																																																																																																																																																																																																																																																																																																																																																																																																																																																															
28	3614	52.87	70	3.40	10	9646	141.12	22	0.80	11	8762	128.18	45	0.85	13	7773	113.72	50	0.95	14	7054	103.20	52	1.05	16	6063	88.70	53	1.25	GR179R109 GRF179R109							GR149 GRF149							GR179R99 GRF179R99							GR139 GRF139																																																																																																																																																																																																																																																																																																																																																																																																																																																																																																																				
10	9646	141.12	22	0.80	11	8762	128.18	45	0.85	13	7773	113.72	50	0.95	14	7054	103.20	52	1.05	16	6063	88.70	53	1.25	GR179R109 GRF179R109							GR149 GRF149							GR179R99 GRF179R99							GR139 GRF139																																																																																																																																																																																																																																																																																																																																																																																																																																																																																																																									
11	8762	128.18	45	0.85	13	7773	113.72	50	0.95	14	7054	103.20	52	1.05	16	6063	88.70	53	1.25	GR179R109 GRF179R109							GR149 GRF149							GR179R99 GRF179R99							GR139 GRF139																																																																																																																																																																																																																																																																																																																																																																																																																																																																																																																														
13	7773	113.72	50	0.95	14	7054	103.20	52	1.05	16	6063	88.70	53	1.25	GR179R109 GRF179R109							GR149 GRF149							GR179R99 GRF179R99							GR139 GRF139																																																																																																																																																																																																																																																																																																																																																																																																																																																																																																																																			
14	7054	103.20	52	1.05	16	6063	88.70	53	1.25	GR179R109 GRF179R109							GR149 GRF149							GR179R99 GRF179R99							GR139 GRF139																																																																																																																																																																																																																																																																																																																																																																																																																																																																																																																																								
16	6063	88.70	53	1.25	GR179R109 GRF179R109							GR149 GRF149							GR179R99 GRF179R99							GR139 GRF139																																																																																																																																																																																																																																																																																																																																																																																																																																																																																																																																													
GR179R109 GRF179R109							GR149 GRF149																																																																																																																																																																																																																																																																																																																																																																																																																																																																																																																																																																
GR179R99 GRF179R99							GR139 GRF139																																																																																																																																																																																																																																																																																																																																																																																																																																																																																																																																																																

选型参数表

(恒功率) 11kW-15kW

Selection Table

(Constant Power) 11kW-15kW

n_a [r/min]	M_a [Nm]	i	F_{Ra} [kN]	f_B	机型号 Type size	极数 Pole	n_a [r/min]	M_a [Nm]	i	F_{Ra} [kN]	f_B	机型号 Type size	极数 Pole
11kW							11kW						
18	5531	80.91	54	1.35			281	364	5.19	8.6	1.85		
20	5023	73.49	55	1.50			314	326	4.65	8.3	2.00		
22	4457	65.20	56	1.70			348	295	4.20	8.1	2.70		
25	4045	59.17	56	1.85	GR139	4P	383	267	3.81	7.9	3.00	GRX109	4P
29	3477	50.86	57	2.20	GRF139		432	237	3.38	7.7	3.40	GRXF109	
33	3034	44.39	57	2.50			476	215	3.07	7.5	3.70		
39	2574	37.65	57	2.90			553	185	2.64	7.2	4.30		
44	2250	32.91	58	3.30			323	317	4.52	6.8	1.80		
22	4484	65.60	23	0.90			361	283	4.04	6.6	2.00		
25	4061	59.41	26	1.00			401	255	3.64	6.5	2.20		
28	3601	52.68	26	1.10	GR109	4P	442	232	3.30	6.3	2.50		
31	3256	47.63	25	1.25	GRF109		500	205	2.92	6.1	2.80	GRX99	4P
36	2759	40.37	24	1.45			553	185	2.64	6.0	3.10	GRXF99	
41	2410	35.26	24	1.65			652	157	2.24	5.7	3.60		
50	2016	29.49	23	2.00			745	138	1.96	5.5	4.00		
47	2103	30.77	23	1.90			890	115	1.64	5.2	4.20		
53	1885	27.58	22	2.10	GR109	4P	1028	100	1.42	5.0	4.40		
59	1702	24.90	22	2.40	GRF109		420	244	3.48	4.8	1.60		
65	1546	22.62	21	2.60			472	217	3.09	4.7	1.80		
73	1372	20.07	21	2.90			529	194	2.76	4.6	2.00		
80	1245	18.21	20	3.20			589	174	2.48	4.4	2.20	GRX89	4P
34	2924	42.78	14	0.95	GR99	4P	679	151	2.15	4.3	2.50	GRXF89	
39	2538	37.13	18	1.10	GRF99		756	135	1.93	4.2	2.50		
44	2273	33.25	18	1.20			913	112	1.60	4.0	2.70		
53	1885	27.58	17	1.35			1050	98	1.39	3.8	2.90		
58	1711	25.03	17	1.55			601	171	2.43	1.8	1.20		
65	1529	22.37	16	1.65			685	149	2.13	2.0	1.30	GRX79	4P
72	1377	20.14	16	1.80	GR99	4P	777	132	1.88	2.2	1.35	GRXF79	
80	1247	18.24	16	1.90	GRF99		874	117	1.67	2.3	1.40		
90	1105	16.17	15	2.00			1028	100	1.42	2.5	1.50		
100	999	14.62	15	2.20			15kW						
118	847	12.39	14	2.40			3.2	39848	450	128	0.9		
135	740	10.83	14	2.70			3.6	35686	403	128	1.0		
157	635	9.29	14	3.00			4.0	32232	364	128	1.1		
174	573	8.39	13	3.30			4.4	29310	331	128	1.2	GR179R109	4P
205	487	7.12	13	3.80			5.0	25945	293	128	1.4	GRF179R109	
235	424	6.21	12	4.20			5.5	23554	266	128	1.6		
68	1476	21.60	13	0.95			6.4	20278	229	128	1.8		
76	1311	19.18	12	1.05			7.3	17710	200	128	2.1		
85	1172	17.15	12	1.10	GR89	4P	8.6	14965	169	128	2.4		
95	1054	15.42	12	1.20	GRF89		3.0	42593	481	128	0.9		
109	915	13.38	12	1.30			3.1	42238	477	128	0.9	GR179R99	4P
122	819	11.98	11	1.40			3.6	36128	408	128	1.0	GRF179R99	
147	679	9.94	11	1.65			4.1	31524	356	128	1.2		
160	625	9.15	11	1.80			4.9	26122	295	128	1.4		
177	563	8.23	11	1.95			6.4	20278	229	114	0.85	GR169R109	4P
204	488	7.14	10	2.10			7.3	17710	200	114	1.00	GRF169R109	
228	437	6.39	10	2.20			8.6	14965	169	114	1.20		
275	363	5.31	9.4	2.30			6.4	20101	227	114	0.90	GR169R109	4P
134	744	10.88	4.0	0.85	GR79	4P	7.4	17533	198	114	1.00	GRF169R109	
151	659	9.64	4.8	0.90	GRF79		4.1	33162	177.89	128	1.00	GR179	8P
189	529	7.74	4.4	1.10			4.7	28888	154.96	128	1.15	GRF179	
215	464	6.79	5.0	1.15			5.3	25596	137.30	128	1.30		
244	409	5.99	5.4	1.25			5.0	27229	194.08	128	1.25		
275	363	5.31	5.8	1.30			5.5	24957	177.89	128	1.35	GR179	6P
224	457	6.52	16	2.45			6.3	21740	154.96	128	1.50	GRF179	
249	412	5.87	12	3.20	GRX139	4P	7.1	19263	137.30	128	1.70		
277	370	5.28	12	3.65	GRXF139								
339	302	4.31	10	3.85									
372	276	3.93	6.0	4.80									
429	239	3.40	6.0	5.60									

选型参数表
(恒功率) 15kW
Selection Table
(Constant Power) 15kW

n_a [r/min]	M_a [Nm]	i	F_{Ra} [kN]	f_B	机型号 Type size	极数 Pole	n_a [r/min]	M_a [Nm]	i	F_{Ra} [kN]	f_B	机型号 Type size	极数 Pole																																																																																																																																																																																																																																																																																																																																																																																																																																																																																																																																																																																																																																																																																																																																																																																																																																																																																																																											
15kW							15kW																																																																																																																																																																																																																																																																																																																																																																																																																																																																																																																																																																																																																																																																																																																																																																																																																																																																																																																																	
7.5	18090	194.08	128	1.85	GR179 GRF179	4P	53	2571	27.58	16	1.00	GR99 GRF99	4P																																																																																																																																																																																																																																																																																																																																																																																																																																																																																																																																																																																																																																																																																																																																																																																																																																																																																																																											
8.2	16581	177.89	128	2.05			9.4	14444	154.96	128	2.25			10.6	12798	137.30	128	2.60	6.3	21475	153.07	114	0.80	GR169 GRF169	6P	58	2333	25.03	15	1.15	GR99 GRF99	4P	6.9	19639	139.98	114	0.85	8.0	17090	121.81	114	1.00	9.0	15080	107.49	114	1.15	6.4	21411	229.71	114	0.80	GR169 GRF169	4P	65	2085	22.37	15	1.25	7.8	17424	186.93	114	1.00	9.5	14268	153.07	114	1.20	10	13048	139.98	114	1.30	12	11354	121.81	114	1.50	14	10019	107.49	114	1.70	16	8686	93.19	114	1.95	18	7728	82.91	114	2.20	20	6870	73.70	114	2.50	22	6282	67.40	114	2.70	8.9	15336	109.31	33	0.80	GR149 GRF149	6P	118	1155	12.39	14	1.80	10	13272	94.60	57	0.95	12	11711	83.47	61	1.05	13	10114	72.09	63	1.20	14	9398	66.99	64	1.30	8.9	15222	163.31	34	0.80	GR149 GRF149	4P	135	1009	10.83	13	1.95	9.9	13694	146.91	54	0.90	12	11172	119.86	62	1.10	13	10189	109.31	63	1.20	15	8818	94.60	65	1.40	17	7780	83.47	66	1.60	21	6720	72.09	68	1.85	22	6244	66.99	68	2.00	24	5694	61.09	68	2.20	28	4928	52.87	69	2.50	31	4348	46.65	69	2.80	36	3755	40.29	69	3.30	41	3322	35.64	69	3.70	14	9619	103.20	29	0.80	GR149 GRF149	4P	157	866	9.29	13	2.20	16	8268	88.70	48	0.90	18	7542	80.91	51	1.00	20	6850	73.49	52	1.10	22	6077	65.20	54	1.25	25	5515	59.17	54	1.40	29	4741	50.86	55	1.60	33	4138	44.39	56	1.85	39	3509	37.65	57	2.20	44	3068	32.91	57	2.50	52	2594	27.83	57	2.80	61	2248	24.12	57	3.20	GR139 GRF139	4P	174	782	8.39	13	2.50	66	2051	22.00	57	3.50	77	1775	19.04	57	4.00	31	4440	47.63	23	0.90	GR139 GRF139	4P	205	664	7.12	12	2.90	36	3763	40.37	23	1.10	41	3287	35.26	22	1.25	50	2749	29.49	21	1.50	47	2868	30.77	22	1.40	53	2571	27.58	21	1.60	59	2321	24.90	21	1.75	65	2108	22.62	20	1.95	73	1871	20.07	20	2.20	80	1697	18.21	19	2.40	93	1459	15.65	19	2.80	107	1273	13.66	18	3.20	281	485	5.20	17	3.70	GR139 GRF139	4P	235	579	6.21	12	3.10	85	1599	17.15	11	0.85	95	1437	15.42	11	0.90	109	1247	13.38	11	1.00	122	1117	11.98	11	1.05	147	927	9.94	10	1.20	160	853	9.15	10	1.35	177	767	8.23	10	1.45	204	666	7.14	10	1.55	228	596	6.39	10	1.65	275	495	5.31	9.1	1.75	224	624	6.52	16	1.80	GRX139 GRXF139	4P	281	497	5.19	8.0	1.35	249	562	5.87	12	2.35	277	505	5.28	12	2.65	339	412	4.31	10	2.80	372	376	3.93	6.0	3.50	429	325	3.40	5.9	4.15	487	287	3.00	5.9	4.90	564	248	2.59	6.5	5.20	638	219	2.29	6.1	5.35	281	497	5.19	8.0	1.35	314	445	4.65	7.8	1.50	348	402	4.20	7.7	2.00	383	365	3.81	7.5	2.20	432	323	3.38	7.3	2.50	476	294	3.07	7.2	2.80	553	253	2.64	6.9	3.20	635	220	2.30	6.7	3.70	749	187	1.95	6.4	4.00	854	164	1.71	6.1	4.20	1014	138	1.44	5.9	4.60	323	432	4.52	6.3	1.35	GRX109 GRXF109	4P	361	387	4.04	6.2	1.50	401	348	3.64	6.1	1.65	442	316	3.30	6.0	1.85	500	279	2.92	5.8	2.10	553	253	2.64	5.7	2.30	652	214	2.24	5.4	2.70	745	188	1.96	5.3	3.00	890	157	1.64	5.0	3.20	1028	136	1.42	4.8	3.30	420	333	3.48	4.0	1.20	472	296	3.09	4.3	1.35	529	264	2.76	4.2	1.50	589	237	2.48	4.1	1.65	679	206	2.15	4.0	1.80	756	185	1.93	3.9	1.90	913	153	1.60	3.8	2.00	1050	133	1.39	3.6	2.10	323	432	4.52	6.3	1.35	GRX99 GRXF99	4P	361	387	4.04	6.2	1.50	401	348	3.64	6.1	1.65	442	316	3.30	6.0	1.85	500	279	2.92	5.8	2.10	553	253	2.64	5.7	2.30	652	214	2.24	5.4	2.70	745	188	1.96	5.3	3.00	890	157	1.64	5.0	3.20	1028	136	1.42	4.8	3.30	420	333	3.48	4.0	1.20	472	296	3.09	4.3	1.35	529	264	2.76	4.2	1.50	589	237	2.48	4.1	1.65	679	206	2.15	4.0	1.80	756	185	1.93	3.9	1.90	913	153	1.60	3.8	2.00	1050	133	1.39	3.6	2.10	323	432	4.52	6.3	1.35	GRX89 GRXF89	4P	361	387	4.04	6.2	1.50	401	348	3.64	6.1	1.65	442	316	3.30	6.0	1.85	500	279	2.92	5.8	2.10	553	253	2.64	5.7	2.30	652	214	2.24	5.4	2.70	745	188	1.96	5.3	3.00	890	157	1.64	5.0	3.20	1028	136	1.42	4.8	3.30	420	333	3.48	4.0	1.20	472	296	3.09	4.3	1.35	529	264	2.76	4.2	1.50	589	237	2.48	4.1	1.65	679	206	2.15	4.0	1.80	756	185	1.93	3.9	1.90	913	153	1.60	3.8	2.00	1050	133	1.39	3.6	2.10																																																																																																				
9.4	14444	154.96	128	2.25			10.6	12798	137.30	128	2.60			6.3	21475	153.07	114	0.80	GR169 GRF169	6P	58	2333	25.03			15	1.15	GR99 GRF99	4P	6.9			19639	139.98	114	0.85	8.0	17090	121.81	114	1.00	9.0	15080	107.49	114	1.15	6.4	21411	229.71	114	0.80	GR169 GRF169			4P	65	2085	22.37	15	1.25	7.8	17424	186.93	114	1.00	9.5	14268	153.07	114	1.20	10	13048	139.98	114	1.30	12	11354	121.81	114	1.50	14	10019	107.49	114	1.70	16	8686	93.19	114	1.95	18	7728	82.91	114	2.20	20	6870	73.70	114	2.50	22	6282	67.40	114	2.70	8.9	15336	109.31	33			0.80	GR149 GRF149	6P	118	1155	12.39	14	1.80	10	13272	94.60	57	0.95	12	11711	83.47	61	1.05	13	10114	72.09	63	1.20	14	9398	66.99	64	1.30	8.9	15222			163.31	34	0.80	GR149 GRF149	4P	135	1009	10.83	13	1.95	9.9	13694	146.91	54	0.90	12	11172	119.86	62	1.10	13	10189	109.31	63	1.20	15	8818	94.60	65	1.40	17	7780	83.47	66	1.60	21	6720	72.09	68	1.85	22	6244	66.99	68	2.00	24	5694	61.09	68	2.20	28	4928	52.87	69	2.50	31	4348	46.65	69	2.80	36	3755	40.29	69	3.30	41	3322	35.64	69	3.70			14	9619	103.20	29	0.80	GR149 GRF149	4P	157	866	9.29	13	2.20	16	8268	88.70	48	0.90	18	7542	80.91	51	1.00	20	6850	73.49	52	1.10	22	6077	65.20	54	1.25	25	5515	59.17	54	1.40	29	4741	50.86	55	1.60	33	4138	44.39	56	1.85	39	3509	37.65	57	2.20	44	3068	32.91	57	2.50	52	2594	27.83			57	2.80	61	2248	24.12	57	3.20	GR139 GRF139	4P	174	782	8.39	13	2.50	66	2051	22.00	57	3.50	77			1775	19.04	57	4.00	31	4440	47.63	23	0.90	GR139 GRF139	4P	205	664	7.12	12	2.90	36	3763	40.37	23	1.10	41	3287	35.26	22	1.25	50	2749	29.49	21	1.50	47	2868	30.77	22	1.40	53	2571	27.58	21	1.60	59	2321	24.90	21	1.75	65	2108	22.62	20	1.95	73	1871	20.07	20	2.20	80	1697	18.21	19	2.40	93	1459	15.65	19			2.80	107	1273	13.66	18	3.20	281	485	5.20	17	3.70	GR139 GRF139	4P	235	579	6.21	12	3.10	85	1599	17.15	11	0.85	95	1437	15.42	11	0.90	109	1247	13.38	11	1.00	122	1117	11.98	11	1.05	147	927	9.94	10	1.20	160	853	9.15	10	1.35	177	767	8.23	10	1.45	204	666	7.14	10	1.55	228	596			6.39	10	1.65	275	495	5.31	9.1	1.75	224	624	6.52	16	1.80	GRX139 GRXF139	4P	281	497	5.19	8.0	1.35	249	562	5.87	12	2.35	277	505	5.28	12	2.65	339	412	4.31	10	2.80	372	376	3.93	6.0	3.50	429	325	3.40	5.9	4.15	487	287	3.00	5.9	4.90	564	248	2.59	6.5	5.20	638	219	2.29	6.1	5.35	281	497	5.19	8.0	1.35	314	445	4.65	7.8	1.50	348	402	4.20	7.7	2.00	383	365	3.81	7.5	2.20	432	323	3.38	7.3	2.50	476	294	3.07	7.2	2.80	553	253	2.64	6.9	3.20	635	220	2.30	6.7	3.70	749	187	1.95	6.4	4.00			854	164	1.71	6.1	4.20	1014	138	1.44	5.9	4.60	323	432	4.52	6.3	1.35	GRX109 GRXF109	4P	361	387	4.04	6.2	1.50	401	348	3.64	6.1	1.65	442	316	3.30	6.0	1.85	500	279	2.92	5.8	2.10	553	253	2.64	5.7	2.30	652	214	2.24	5.4	2.70	745	188	1.96	5.3	3.00	890	157	1.64	5.0	3.20	1028	136	1.42	4.8	3.30	420	333	3.48	4.0	1.20	472	296	3.09	4.3	1.35	529	264	2.76	4.2	1.50	589	237	2.48	4.1	1.65	679	206	2.15	4.0	1.80	756	185	1.93			3.9	1.90	913	153	1.60	3.8	2.00	1050	133	1.39	3.6	2.10	323	432	4.52	6.3	1.35	GRX99 GRXF99	4P	361	387	4.04	6.2	1.50	401	348	3.64	6.1	1.65	442	316	3.30	6.0	1.85	500	279	2.92	5.8	2.10	553	253	2.64	5.7	2.30	652	214	2.24	5.4	2.70	745	188	1.96	5.3	3.00	890	157	1.64	5.0	3.20	1028	136	1.42	4.8	3.30	420	333	3.48	4.0	1.20	472	296	3.09	4.3	1.35	529	264	2.76	4.2	1.50	589	237	2.48	4.1	1.65	679	206	2.15	4.0	1.80	756			185	1.93	3.9	1.90	913	153	1.60	3.8	2.00	1050	133	1.39	3.6	2.10	323	432	4.52	6.3	1.35	GRX89 GRXF89	4P	361	387	4.04	6.2	1.50	401	348	3.64	6.1	1.65	442	316	3.30	6.0	1.85	500	279	2.92	5.8	2.10	553	253	2.64	5.7	2.30	652	214	2.24	5.4	2.70	745	188	1.96	5.3	3.00	890	157	1.64	5.0	3.20	1028	136	1.42	4.8	3.30	420	333	3.48	4.0	1.20	472	296	3.09	4.3	1.35	529	264	2.76	4.2	1.50	589	237	2.48	4.1	1.65	679	206	2.15	4.0	1.80	756	185	1.93	3.9	1.90	913	153	1.60	3.8	2.00	1050	133	1.39	3.6	2.10																																																																															
10.6	12798	137.30	128	2.60			6.3	21475	153.07	114	0.80			GR169 GRF169	6P	58	2333	25.03			15	1.15	GR99 GRF99			4P	6.9			19639			139.98	114	0.85	8.0	17090	121.81	114	1.00	9.0	15080	107.49	114	1.15	6.4	21411	229.71	114	0.80	GR169 GRF169					4P	65	2085	22.37	15	1.25	7.8	17424	186.93	114	1.00	9.5	14268	153.07	114	1.20	10	13048	139.98	114	1.30	12	11354	121.81	114	1.50	14	10019	107.49	114	1.70	16	8686	93.19	114	1.95	18	7728	82.91	114	2.20	20	6870	73.70	114	2.50	22	6282	67.40	114	2.70	8.9	15336	109.31			33			0.80	GR149 GRF149	6P	118	1155	12.39	14	1.80	10	13272	94.60	57	0.95	12	11711	83.47	61	1.05	13	10114	72.09	63	1.20	14	9398	66.99	64			1.30	8.9	15222			163.31	34	0.80	GR149 GRF149	4P	135	1009	10.83	13	1.95	9.9	13694	146.91	54	0.90	12	11172	119.86	62	1.10	13	10189	109.31	63	1.20	15	8818	94.60	65	1.40	17	7780	83.47	66	1.60	21	6720	72.09	68	1.85	22	6244	66.99	68	2.00	24	5694	61.09	68	2.20	28	4928	52.87	69	2.50	31	4348	46.65	69	2.80	36	3755	40.29	69	3.30			41	3322	35.64	69	3.70			14	9619	103.20	29	0.80	GR149 GRF149	4P	157	866	9.29	13	2.20	16	8268	88.70	48	0.90	18	7542	80.91	51	1.00	20	6850	73.49	52	1.10	22	6077	65.20	54	1.25	25	5515	59.17	54	1.40	29	4741	50.86	55	1.60	33	4138	44.39	56	1.85	39	3509	37.65	57	2.20	44			3068	32.91	57	2.50	52	2594	27.83			57	2.80	61	2248	24.12	57	3.20	GR139 GRF139	4P	174	782			8.39	13	2.50	66	2051	22.00	57	3.50	77			1775	19.04	57	4.00	31	4440	47.63	23	0.90	GR139 GRF139	4P	205	664	7.12	12	2.90	36	3763	40.37	23	1.10	41	3287	35.26	22	1.25	50	2749	29.49	21	1.50	47	2868	30.77	22	1.40	53	2571	27.58	21	1.60	59	2321	24.90	21	1.75	65	2108	22.62	20	1.95	73	1871	20.07			20	2.20	80	1697	18.21	19	2.40	93	1459	15.65	19			2.80	107	1273	13.66	18	3.20	281	485	5.20	17	3.70	GR139 GRF139	4P	235	579	6.21	12	3.10	85	1599	17.15	11	0.85	95	1437	15.42	11	0.90	109	1247	13.38	11	1.00	122	1117	11.98	11	1.05	147	927	9.94	10	1.20	160	853	9.15	10			1.35	177	767	8.23	10	1.45	204	666	7.14	10	1.55	228	596			6.39	10	1.65	275	495	5.31	9.1	1.75	224	624	6.52	16	1.80	GRX139 GRXF139	4P	281	497	5.19	8.0	1.35	249	562	5.87	12	2.35	277	505	5.28	12	2.65	339	412	4.31	10	2.80	372	376	3.93	6.0	3.50	429	325	3.40	5.9	4.15	487	287	3.00	5.9	4.90	564	248	2.59	6.5	5.20	638	219	2.29	6.1	5.35	281	497	5.19	8.0	1.35	314	445	4.65	7.8	1.50	348	402	4.20	7.7	2.00	383	365	3.81	7.5	2.20	432	323	3.38	7.3	2.50	476	294	3.07	7.2	2.80			553	253	2.64	6.9	3.20	635	220	2.30	6.7	3.70	749	187	1.95	6.4	4.00			854	164	1.71	6.1	4.20	1014	138	1.44	5.9	4.60	323	432	4.52	6.3	1.35	GRX109 GRXF109	4P	361	387	4.04	6.2	1.50	401	348	3.64	6.1	1.65	442	316	3.30	6.0	1.85	500	279	2.92	5.8	2.10	553	253	2.64	5.7	2.30	652	214	2.24	5.4	2.70	745	188	1.96	5.3	3.00	890	157	1.64	5.0	3.20	1028	136	1.42	4.8	3.30	420	333	3.48	4.0	1.20	472	296	3.09	4.3	1.35	529			264	2.76	4.2	1.50	589	237	2.48	4.1	1.65	679	206	2.15	4.0	1.80	756	185	1.93			3.9	1.90	913	153	1.60	3.8	2.00	1050	133	1.39	3.6	2.10	323	432	4.52	6.3	1.35	GRX99 GRXF99	4P	361	387	4.04	6.2	1.50	401	348	3.64	6.1	1.65	442	316	3.30	6.0	1.85	500	279	2.92	5.8	2.10	553	253	2.64	5.7	2.30	652	214	2.24	5.4	2.70	745	188	1.96	5.3	3.00	890	157	1.64	5.0	3.20	1028	136	1.42	4.8	3.30	420	333	3.48	4.0	1.20	472	296			3.09	4.3	1.35	529	264	2.76	4.2	1.50	589	237	2.48	4.1	1.65	679	206	2.15	4.0	1.80	756			185	1.93	3.9	1.90	913	153	1.60	3.8	2.00	1050	133	1.39	3.6	2.10	323	432	4.52	6.3	1.35	GRX89 GRXF89	4P	361	387	4.04	6.2	1.50	401	348	3.64	6.1	1.65	442	316	3.30	6.0	1.85	500	279	2.92	5.8	2.10	553	253	2.64	5.7	2.30	652	214	2.24	5.4	2.70	745	188	1.96	5.3	3.00	890	157	1.64	5.0	3.20	1028	136	1.42	4.8	3.30	420	333	3.48	4.0	1.20	472	296	3.09	4.3	1.35	529	264	2.76	4.2	1.50	589	237	2.48	4.1	1.65	679	206	2.15	4.0	1.80	756	185	1.93	3.9	1.90	913	153	1.60	3.8	2.00	1050	133	1.39	3.6	2.10																																																										
6.3	21475	153.07	114	0.80	GR169 GRF169	6P	58	2333	25.03	15	1.15	GR99 GRF99	4P																																																																																																																																																																																																																																																																																																																																																																																																																																																																																																																																																																																																																																																																																																																																																																																																																																																																																																																											
6.9	19639	139.98	114	0.85			8.0	17090	121.81	114	1.00					9.0	15080	107.49			114	1.15		6.4	21411		229.71			114			0.80	GR169 GRF169	4P	65	2085	22.37	15	1.25	7.8	17424	186.93	114	1.00	9.5	14268	153.07	114	1.20							10	13048	139.98	114	1.30	12	11354	121.81	114	1.50	14	10019	107.49	114	1.70	16	8686	93.19	114	1.95	18	7728	82.91	114	2.20	20	6870	73.70	114	2.50	22	6282	67.40	114	2.70	8.9	15336	109.31	33	0.80	GR149 GRF149	6P	118	1155	12.39	14	1.80	10	13272	94.60	57	0.95	12			11711			83.47			61	1.05	13	10114	72.09	63	1.20	14	9398	66.99	64	1.30	8.9	15222	163.31	34	0.80	GR149 GRF149	4P	135	1009	10.83	13	1.95			9.9	13694	146.91			54	0.90	12			11172	119.86	62	1.10	13	10189	109.31	63	1.20	15	8818	94.60	65	1.40	17	7780	83.47	66	1.60	21	6720	72.09	68	1.85	22	6244	66.99	68	2.00	24	5694	61.09	68	2.20	28	4928	52.87	69	2.50	31	4348	46.65	69	2.80	36	3755	40.29	69	3.30	41	3322	35.64	69	3.70	14	9619	103.20	29	0.80	GR149 GRF149			4P	157	866	9.29	13			2.20	16	8268	88.70	48			0.90	18	7542	80.91	51	1.00	20	6850	73.49	52	1.10	22	6077	65.20	54	1.25	25	5515	59.17	54	1.40	29	4741	50.86	55	1.60	33	4138	44.39	56	1.85	39	3509	37.65	57	2.20	44	3068	32.91	57	2.50	52	2594	27.83	57	2.80			61	2248	24.12	57	3.20	GR139 GRF139	4P			174	782	8.39	13	2.50	66	2051			22.00	57			3.50	77	1775	19.04	57	4.00	31	4440	47.63			23	0.90	GR139 GRF139	4P	205	664	7.12	12	2.90			36	3763	40.37	23	1.10	41	3287	35.26	22	1.25	50	2749	29.49	21	1.50	47	2868	30.77	22	1.40	53	2571	27.58	21	1.60	59	2321	24.90	21	1.75	65	2108	22.62	20	1.95	73	1871	20.07	20	2.20	80	1697	18.21			19	2.40	93	1459	15.65	19	2.80	107	1273	13.66	18			3.20	281	485	5.20	17	3.70	GR139 GRF139	4P	235	579	6.21			12	3.10	85	1599	17.15	11	0.85	95	1437	15.42	11	0.90	109	1247	13.38	11	1.00	122	1117	11.98	11	1.05	147	927	9.94	10	1.20	160	853	9.15	10	1.35	177	767			8.23	10	1.45	204	666	7.14	10	1.55	228	596	6.39	10	1.65			275	495	5.31	9.1	1.75	224	624	6.52	16	1.80	GRX139 GRXF139	4P	281			497	5.19	8.0	1.35	249	562	5.87	12	2.35	277	505	5.28	12	2.65	339	412	4.31	10	2.80	372	376	3.93	6.0	3.50	429	325	3.40	5.9	4.15	487	287	3.00	5.9	4.90	564	248	2.59	6.5	5.20	638	219	2.29	6.1	5.35	281	497	5.19	8.0	1.35	314	445	4.65	7.8	1.50	348	402	4.20	7.7	2.00	383	365	3.81	7.5	2.20	432	323	3.38	7.3	2.50	476	294	3.07	7.2	2.80	553			253	2.64	6.9	3.20	635	220	2.30	6.7	3.70	749	187	1.95	6.4	4.00	854			164	1.71	6.1	4.20	1014	138	1.44	5.9	4.60	323	432	4.52	6.3	1.35	GRX109 GRXF109			4P	361	387	4.04	6.2	1.50	401	348	3.64	6.1	1.65	442	316	3.30	6.0	1.85	500	279	2.92	5.8	2.10	553	253	2.64	5.7	2.30	652	214	2.24	5.4	2.70	745	188	1.96	5.3	3.00	890	157	1.64	5.0	3.20	1028	136	1.42	4.8	3.30	420	333	3.48	4.0	1.20	472	296	3.09	4.3	1.35			529	264	2.76	4.2	1.50	589	237	2.48	4.1	1.65	679	206	2.15	4.0	1.80	756	185			1.93	3.9	1.90	913	153	1.60	3.8	2.00	1050	133	1.39	3.6	2.10	323	432	4.52	6.3			1.35	GRX99 GRXF99	4P	361	387	4.04	6.2	1.50	401	348	3.64	6.1	1.65	442	316	3.30	6.0	1.85	500	279	2.92	5.8	2.10	553	253	2.64	5.7	2.30	652	214	2.24	5.4	2.70	745	188	1.96	5.3	3.00	890	157	1.64	5.0	3.20	1028	136	1.42	4.8	3.30	420	333	3.48	4.0			1.20	472	296	3.09	4.3	1.35	529	264	2.76	4.2	1.50	589	237	2.48	4.1	1.65	679	206	2.15			4.0	1.80	756	185	1.93	3.9	1.90	913	153	1.60	3.8	2.00	1050	133	1.39	3.6	2.10	323	432			4.52	6.3	1.35	GRX89 GRXF89	4P	361	387	4.04	6.2	1.50	401	348	3.64	6.1	1.65	442	316	3.30	6.0	1.85	500	279	2.92	5.8	2.10	553	253	2.64	5.7	2.30	652	214	2.24	5.4	2.70	745	188	1.96	5.3	3.00	890	157	1.64	5.0	3.20	1028	136	1.42	4.8	3.30	420	333	3.48	4.0	1.20	472	296	3.09	4.3	1.35	529	264	2.76	4.2	1.50	589	237	2.48	4.1	1.65	679	206	2.15	4.0	1.80	756	185	1.93	3.9	1.90	913	153	1.60	3.8	2.00	1050	133	1.39	3.6	2.10																																																					
8.0	17090	121.81	114	1.00			9.0	15080	107.49	114	1.15					6.4	21411	229.71	114	0.80	GR169 GRF169	4P		65	2085		22.37			15			1.25			7.8	17424	186.93	114	1.00	9.5	14268	153.07	114	1.20	10	13048	139.98	114	1.30							12	11354	121.81	114	1.50	14	10019	107.49	114	1.70	16	8686	93.19	114	1.95	18	7728	82.91	114	2.20	20	6870	73.70	114	2.50	22	6282	67.40	114	2.70	8.9	15336	109.31	33	0.80	GR149 GRF149	6P	118	1155	12.39			14	1.80	10	13272	94.60	57	0.95	12	11711	83.47	61	1.05	13	10114			72.09			63	1.20	14	9398	66.99	64	1.30	8.9	15222	163.31	34	0.80	GR149 GRF149	4P	135	1009	10.83			13	1.95	9.9	13694	146.91			54	0.90	12			11172	119.86	62			1.10	13	10189	109.31	63	1.20	15	8818	94.60	65	1.40	17	7780	83.47	66	1.60	21	6720	72.09	68	1.85	22	6244	66.99	68	2.00	24	5694	61.09	68	2.20	28	4928	52.87	69	2.50	31	4348	46.65	69	2.80	36	3755	40.29	69	3.30	41	3322	35.64	69	3.70	14	9619	103.20	29	0.80	GR149 GRF149	4P	157					866	9.29	13	2.20			16	8268	88.70	48	0.90			18	7542	80.91	51	1.00	20	6850	73.49	52	1.10	22	6077	65.20	54	1.25	25	5515	59.17	54	1.40	29	4741	50.86	55	1.60	33	4138	44.39	56	1.85	39	3509	37.65	57	2.20	44	3068	32.91	57	2.50	52	2594	27.83	57	2.80	61			2248	24.12	57	3.20	GR139 GRF139					4P	174	782	8.39	13	2.50	66			2051	22.00			57	3.50	77	1775	19.04	57	4.00	31	4440			47.63	23			0.90	GR139 GRF139	4P	205	664			7.12	12	2.90	36	3763	40.37	23	1.10	41	3287	35.26	22	1.25	50	2749	29.49	21	1.50	47	2868	30.77	22	1.40	53	2571	27.58	21	1.60	59	2321	24.90	21	1.75	65	2108	22.62	20	1.95	73	1871	20.07	20	2.20			80	1697	18.21	19	2.40	93	1459	15.65	19	2.80	107			1273	13.66	18	3.20	281	485			5.20	17	3.70			GR139 GRF139	4P	235	579	6.21	12	3.10	85	1599	17.15	11	0.85	95	1437	15.42	11	0.90	109	1247	13.38	11	1.00	122	1117	11.98	11	1.05	147	927	9.94	10	1.20	160	853			9.15	10	1.35	177	767	8.23	10	1.45	204	666	7.14	10	1.55			228	596	6.39	10	1.65	275	495	5.31	9.1	1.75			224			624	6.52	16	1.80	GRX139 GRXF139	4P	281	497	5.19	8.0	1.35	249	562	5.87	12	2.35	277	505	5.28	12	2.65	339	412	4.31	10	2.80	372	376	3.93	6.0	3.50	429	325	3.40	5.9	4.15	487	287	3.00	5.9	4.90	564	248	2.59	6.5	5.20	638	219	2.29	6.1	5.35	281	497	5.19	8.0	1.35	314	445	4.65	7.8	1.50	348	402	4.20	7.7	2.00	383	365	3.81	7.5	2.20	432	323	3.38	7.3			2.50	476	294	3.07	7.2	2.80	553	253	2.64	6.9	3.20	635	220	2.30	6.7			3.70	749	187	1.95	6.4	4.00	854	164	1.71	6.1	4.20	1014	138	1.44					5.9	4.60	323	432	4.52	6.3	1.35	GRX109 GRXF109	4P	361	387	4.04	6.2	1.50	401	348	3.64	6.1	1.65	442	316	3.30	6.0	1.85	500	279	2.92	5.8	2.10	553	253	2.64	5.7	2.30	652	214	2.24	5.4	2.70	745	188	1.96	5.3	3.00	890	157	1.64	5.0	3.20	1028	136	1.42	4.8	3.30	420			333	3.48	4.0	1.20	472	296	3.09	4.3	1.35	529	264	2.76	4.2	1.50	589	237	2.48			4.1	1.65	679	206	2.15	4.0	1.80	756	185	1.93	3.9	1.90	913	153	1.60	3.8	2.00			1050			133	1.39	3.6	2.10	323	432	4.52	6.3	1.35	GRX99 GRXF99	4P	361	387	4.04	6.2	1.50	401	348	3.64	6.1	1.65	442	316	3.30	6.0	1.85	500	279	2.92	5.8	2.10	553	253	2.64	5.7	2.30	652	214	2.24	5.4	2.70	745	188	1.96	5.3	3.00	890	157	1.64			5.0	3.20	1028	136	1.42	4.8	3.30	420	333	3.48	4.0	1.20	472	296	3.09	4.3	1.35	529	264			2.76	4.2	1.50	589	237	2.48	4.1	1.65	679	206	2.15	4.0	1.80	756	185	1.93	3.9	1.90	913			153	1.60	3.8			2.00	1050	133	1.39	3.6	2.10	323	432	4.52	6.3	1.35	GRX89 GRXF89	4P	361	387	4.04	6.2	1.50	401	348	3.64	6.1	1.65	442	316	3.30	6.0	1.85	500	279	2.92	5.8	2.10	553	253	2.64	5.7	2.30	652	214	2.24	5.4	2.70	745	188	1.96	5.3	3.00	890	157	1.64	5.0	3.20	1028	136	1.42	4.8	3.30	420	333	3.48	4.0	1.20	472	296	3.09	4.3	1.35	529	264	2.76	4.2	1.50	589	237	2.48	4.1	1.65	679	206	2.15	4.0	1.80	756	185	1.93	3.9	1.90	913	153	1.60	3.8	2.00	1050	133	1.39	3.6	2.10																																								
9.0	15080	107.49	114	1.15			6.4	21411	229.71	114	0.80			GR169 GRF169	4P	65	2085	22.37	15	1.25				7.8	17424		186.93			114			1.00			9.5	14268	153.07	114	1.20	10	13048	139.98	114	1.30	12	11354	121.81	114	1.50							14	10019	107.49	114	1.70	16	8686	93.19	114	1.95	18	7728	82.91	114	2.20	20	6870	73.70	114	2.50	22	6282	67.40	114	2.70	8.9	15336	109.31	33	0.80	GR149 GRF149	6P	118	1155	12.39			14	1.80	10			13272	94.60	57	0.95	12	11711	83.47	61	1.05	13	10114	72.09	63	1.20	14	9398	66.99			64	1.30	8.9	15222	163.31	34	0.80	GR149 GRF149	4P	135	1009	10.83			13	1.95	9.9			13694	146.91	54	0.90	12			11172	119.86	62			1.10	13	10189			109.31	63	1.20	15	8818	94.60	65	1.40	17	7780	83.47	66	1.60	21	6720	72.09	68	1.85	22	6244	66.99	68	2.00	24	5694	61.09	68	2.20	28	4928	52.87	69	2.50	31	4348	46.65	69	2.80	36	3755	40.29	69	3.30	41	3322	35.64	69	3.70	14	9619	103.20	29	0.80	GR149 GRF149	4P	157			866					9.29	13	2.20	16			8268	88.70	48	0.90	18			7542	80.91	51	1.00	20	6850	73.49	52	1.10	22	6077	65.20	54	1.25	25	5515	59.17	54	1.40	29	4741	50.86	55	1.60	33	4138	44.39	56	1.85	39	3509	37.65	57	2.20	44	3068	32.91	57	2.50	52	2594	27.83	57	2.80	61	2248			24.12	57	3.20	GR139 GRF139							4P	174	782	8.39	13	2.50			66	2051			22.00	57	3.50	77	1775	19.04	57	4.00	31			4440	47.63			23			0.90	GR139 GRF139			4P	205	664	7.12	12	2.90	36	3763	40.37	23	1.10	41	3287	35.26	22	1.25	50	2749	29.49	21	1.50	47	2868	30.77	22	1.40	53	2571	27.58	21	1.60	59	2321	24.90	21	1.75	65	2108	22.62	20	1.95	73	1871			20.07	20	2.20	80	1697	18.21	19	2.40	93	1459	15.65			19	2.80	107	1273	13.66	18			3.20	281	485					5.20	17	3.70	GR139 GRF139	4P	235	579	6.21	12	3.10	85	1599	17.15	11	0.85	95	1437	15.42	11	0.90	109	1247	13.38	11	1.00	122	1117	11.98	11	1.05	147	927			9.94	10	1.20	160	853	9.15	10	1.35	177	767	8.23	10	1.45			204	666	7.14	10	1.55	228	596	6.39	10	1.65			275			495	5.31	9.1	1.75			224	624	6.52	16	1.80	GRX139 GRXF139	4P	281	497	5.19	8.0	1.35	249	562	5.87	12	2.35	277	505	5.28	12	2.65	339	412	4.31	10	2.80	372	376	3.93	6.0	3.50	429	325	3.40	5.9	4.15	487	287	3.00	5.9	4.90	564	248	2.59	6.5	5.20	638	219	2.29	6.1	5.35	281	497	5.19	8.0	1.35	314	445	4.65	7.8	1.50	348	402	4.20	7.7	2.00	383	365			3.81	7.5	2.20	432	323	3.38	7.3	2.50	476	294	3.07	7.2	2.80	553	253			2.64	6.9	3.20	635	220	2.30	6.7	3.70	749	187	1.95	6.4	4.00	854					164	1.71	6.1	4.20	1014	138	1.44			5.9	4.60	323	432	4.52	6.3	1.35	GRX109 GRXF109	4P	361	387	4.04	6.2	1.50	401	348	3.64	6.1	1.65	442	316	3.30	6.0	1.85	500	279	2.92	5.8	2.10	553	253	2.64	5.7	2.30	652	214	2.24	5.4	2.70	745	188	1.96	5.3	3.00	890	157			1.64	5.0	3.20	1028	136	1.42	4.8	3.30	420	333	3.48	4.0	1.20	472	296	3.09	4.3			1.35	529	264	2.76	4.2	1.50	589	237	2.48	4.1	1.65	679	206	2.15	4.0	1.80	756			185			1.93	3.9	1.90	913	153	1.60	3.8	2.00	1050			133	1.39	3.6	2.10	323	432	4.52	6.3	1.35	GRX99 GRXF99	4P	361	387	4.04	6.2	1.50	401	348	3.64	6.1	1.65	442	316	3.30	6.0	1.85	500	279	2.92	5.8	2.10	553	253	2.64	5.7	2.30	652	214			2.24	5.4	2.70	745	188	1.96	5.3	3.00	890	157	1.64	5.0	3.20	1028	136	1.42	4.8	3.30	420			333	3.48	4.0	1.20	472	296	3.09	4.3	1.35	529	264	2.76	4.2	1.50	589	237	2.48	4.1	1.65			679	206	2.15			4.0	1.80	756	185	1.93	3.9	1.90	913	153	1.60	3.8			2.00	1050	133	1.39	3.6	2.10	323	432	4.52	6.3	1.35	GRX89 GRXF89	4P	361	387	4.04	6.2	1.50	401	348	3.64	6.1	1.65	442	316	3.30	6.0	1.85	500	279	2.92	5.8	2.10	553	253	2.64	5.7	2.30	652	214	2.24	5.4	2.70	745	188	1.96	5.3	3.00	890	157	1.64	5.0	3.20	1028	136	1.42	4.8	3.30	420	333	3.48	4.0	1.20	472	296	3.09	4.3	1.35	529	264	2.76	4.2	1.50	589	237	2.48	4.1	1.65	679	206	2.15	4.0	1.80	756	185	1.93	3.9	1.90	913	153	1.60	3.8	2.00	1050	133	1.39	3.6	2.10																											
6.4	21411	229.71	114	0.80	GR169 GRF169	4P	65	2085	22.37	15	1.25																																																																																																																																																																																																																																																																																																																																																																																																																																																																																																																																																																																																																																																																																																																																																																																																																																																																																																																													
7.8	17424	186.93	114	1.00			9.5	14268	153.07	114	1.20					10	13048	139.98	114	1.30				12	11354		121.81			114			1.50			14	10019	107.49	114	1.70	16	8686	93.19	114	1.95	18	7728	82.91	114	2.20							20	6870	73.70	114	2.50	22	6282	67.40	114	2.70	8.9	15336	109.31	33	0.80	GR149 GRF149	6P	118	1155	12.39	14	1.80	10	13272	94.60	57	0.95	12	11711	83.47			61	1.05	13			10114	72.09	63			1.20	14	9398	66.99	64	1.30	8.9	15222	163.31	34	0.80	GR149 GRF149	4P	135	1009	10.83	13	1.95	9.9	13694	146.91	54	0.90	12	11172	119.86			62	1.10	13			10189	109.31	63			1.20	15	8818	94.60	65			1.40	17	7780			83.47	66	1.60			21	6720	72.09	68	1.85	22	6244	66.99	68	2.00	24	5694	61.09	68	2.20	28	4928	52.87	69	2.50	31	4348	46.65	69	2.80	36	3755	40.29	69	3.30	41	3322	35.64	69	3.70	14	9619	103.20	29	0.80	GR149 GRF149	4P	157	866	9.29	13	2.20	16	8268	88.70	48	0.90	18			7542			80.91					51	1.00	20	6850			73.49	52	1.10	22	6077			65.20	54	1.25	25	5515	59.17	54	1.40	29	4741	50.86	55	1.60	33	4138	44.39	56	1.85	39	3509	37.65	57	2.20	44	3068	32.91	57	2.50	52	2594	27.83	57	2.80	61	2248	24.12	57	3.20	GR139 GRF139	4P	174	782	8.39	13	2.50	66			2051	22.00	57									3.50	77	1775	19.04	57			4.00	31			4440	47.63	23	0.90	GR139 GRF139	4P	205	664	7.12			12	2.90			36			3763					40.37	23	1.10	41	3287	35.26	22	1.25	50	2749	29.49	21	1.50	47	2868	30.77	22	1.40	53	2571	27.58	21	1.60	59	2321	24.90	21	1.75	65	2108	22.62	20	1.95	73	1871	20.07	20	2.20	80	1697	18.21	19			2.40	93	1459	15.65	19	2.80	107	1273	13.66	18	3.20			281	485	5.20	17	3.70	GR139 GRF139			4P	235	579					6.21	12	3.10			85	1599	17.15	11	0.85	95	1437	15.42	11	0.90	109	1247	13.38	11	1.00	122	1117	11.98	11	1.05	147	927	9.94	10	1.20	160	853			9.15	10	1.35	177	767	8.23	10	1.45	204	666	7.14	10	1.55			228	596	6.39	10	1.65	275	495	5.31	9.1	1.75			224			624	6.52	16	1.80			GRX139 GRXF139	4P	281	497	5.19			8.0	1.35	249	562	5.87	12	2.35	277	505	5.28	12	2.65	339	412	4.31	10	2.80	372	376	3.93	6.0	3.50	429	325	3.40	5.9	4.15	487	287	3.00	5.9	4.90	564	248	2.59	6.5	5.20	638	219	2.29	6.1	5.35	281	497	5.19	8.0	1.35	314	445	4.65	7.8	1.50	348	402	4.20	7.7	2.00	383	365	3.81	7.5	2.20			432	323	3.38	7.3	2.50	476	294	3.07	7.2	2.80	553	253	2.64	6.9	3.20			635	220	2.30	6.7	3.70	749	187	1.95	6.4	4.00	854	164	1.71	6.1					4.20	1014	138	1.44	5.9	4.60	323			432	4.52	6.3	1.35	GRX109 GRXF109	4P	361			387	4.04	6.2	1.50	401	348	3.64	6.1	1.65	442	316	3.30	6.0	1.85	500	279	2.92	5.8	2.10	553	253	2.64	5.7	2.30	652	214	2.24	5.4	2.70	745	188	1.96	5.3	3.00	890	157	1.64			5.0	3.20	1028	136	1.42	4.8	3.30	420	333	3.48	4.0	1.20	472	296	3.09	4.3	1.35			529	264	2.76	4.2	1.50	589	237	2.48	4.1	1.65	679	206	2.15	4.0	1.80	756	185			1.93			3.9	1.90	913	153	1.60	3.8	2.00	1050	133			1.39	3.6	2.10	323	432	4.52	6.3	1.35	GRX99 GRXF99			4P	361	387	4.04	6.2	1.50	401	348	3.64	6.1	1.65	442	316	3.30	6.0	1.85	500	279	2.92	5.8	2.10	553	253	2.64	5.7	2.30	652			214	2.24	5.4	2.70	745	188	1.96	5.3	3.00	890	157	1.64	5.0	3.20	1028	136	1.42	4.8	3.30			420	333	3.48	4.0	1.20	472	296	3.09	4.3	1.35	529	264	2.76	4.2	1.50	589	237	2.48	4.1			1.65	679	206			2.15	4.0	1.80	756	185	1.93	3.9	1.90	913	153	1.60			3.8	2.00	1050	133	1.39	3.6	2.10	323	432	4.52	6.3			1.35	GRX89 GRXF89	4P	361	387	4.04	6.2	1.50	401	348	3.64	6.1	1.65	442	316	3.30	6.0	1.85	500	279	2.92	5.8	2.10	553	253	2.64	5.7	2.30	652	214	2.24	5.4	2.70	745	188	1.96	5.3	3.00	890	157	1.64	5.0	3.20	1028	136	1.42	4.8	3.30	420	333	3.48	4.0	1.20	472	296	3.09	4.3	1.35	529	264	2.76	4.2	1.50	589	237	2.48	4.1	1.65	679	206	2.15	4.0	1.80	756	185	1.93	3.9	1.90	913	153	1.60	3.8	2.00	1050	133	1.39	3.6	2.10																								
9.5	14268	153.07	114	1.20			10	13048	139.98	114	1.30					12	11354	121.81	114	1.50				14	10019		107.49			114			1.70			16	8686	93.19	114	1.95	18	7728	82.91	114	2.20	20	6870	73.70	114	2.50							22	6282	67.40	114	2.70	8.9	15336	109.31	33	0.80	GR149 GRF149	6P	118	1155	12.39			14	1.80	10	13272	94.60	57	0.95	12	11711	83.47	61	1.05	13			10114	72.09	63			1.20	14	9398	66.99	64	1.30	8.9	15222	163.31	34	0.80	GR149 GRF149	4P	135	1009	10.83			13	1.95	9.9	13694	146.91	54	0.90	12	11172	119.86	62	1.10	13			10189	109.31	63			1.20	15	8818			94.60	65	1.40	17	7780			83.47	66	1.60			21	6720	72.09			68	1.85	22	6244	66.99	68	2.00	24	5694	61.09	68	2.20	28	4928	52.87	69	2.50	31	4348	46.65	69	2.80	36	3755	40.29	69	3.30	41	3322	35.64	69	3.70	14	9619	103.20	29	0.80	GR149 GRF149	4P	157			866	9.29	13	2.20	16	8268	88.70	48	0.90	18	7542			80.91			51					1.00	20	6850	73.49			52	1.10	22	6077	65.20			54	1.25	25	5515	59.17	54	1.40	29	4741	50.86	55	1.60	33	4138	44.39	56	1.85	39	3509	37.65	57	2.20	44	3068	32.91	57	2.50	52	2594	27.83	57	2.80	61	2248	24.12	57	3.20	GR139 GRF139			4P	174	782	8.39	13	2.50			66	2051	22.00									57	3.50	77	1775	19.04			57	4.00			31	4440	47.63	23			0.90	GR139 GRF139	4P			205	664			7.12			12					2.90	36	3763	40.37	23	1.10	41	3287	35.26	22	1.25	50	2749	29.49	21	1.50	47	2868	30.77	22	1.40	53	2571	27.58	21	1.60	59	2321	24.90	21	1.75	65	2108	22.62	20	1.95	73	1871	20.07	20	2.20	80			1697	18.21	19	2.40	93	1459	15.65	19	2.80	107	1273			13.66	18	3.20	281	485					5.20	17					3.70	GR139 GRF139	4P			235	579	6.21	12	3.10	85	1599	17.15	11	0.85	95	1437	15.42	11	0.90	109	1247	13.38	11	1.00	122	1117	11.98	11	1.05	147	927			9.94	10	1.20	160	853	9.15	10	1.35	177	767	8.23	10	1.45			204	666	7.14	10	1.55	228	596	6.39	10	1.65			275			495	5.31	9.1	1.75					224	624	6.52			16	1.80	GRX139 GRXF139	4P	281	497	5.19	8.0	1.35	249	562	5.87	12	2.35	277	505	5.28	12	2.65	339	412	4.31	10	2.80	372	376	3.93	6.0	3.50	429	325	3.40	5.9	4.15	487	287	3.00	5.9	4.90	564	248	2.59	6.5	5.20	638	219	2.29	6.1	5.35	281	497	5.19	8.0	1.35	314	445	4.65	7.8	1.50	348	402	4.20			7.7	2.00	383	365	3.81	7.5	2.20	432	323	3.38	7.3	2.50	476	294	3.07			7.2	2.80	553	253	2.64	6.9	3.20	635	220	2.30	6.7	3.70	749	187					1.95	6.4	4.00	854	164	1.71	6.1			4.20	1014	138	1.44			5.9			4.60	323	432	4.52	6.3	1.35	GRX109 GRXF109	4P	361	387	4.04	6.2	1.50	401	348	3.64	6.1	1.65	442	316	3.30	6.0	1.85	500	279	2.92	5.8	2.10	553	253	2.64	5.7	2.30	652	214	2.24	5.4			2.70	745	188	1.96	5.3	3.00	890	157	1.64	5.0	3.20	1028	136	1.42	4.8	3.30	420			333	3.48	4.0	1.20	472	296	3.09	4.3	1.35	529	264	2.76	4.2	1.50	589	237	2.48			4.1			1.65	679	206	2.15	4.0	1.80	756	185	1.93			3.9	1.90	913	153	1.60	3.8	2.00	1050					133	1.39	3.6	2.10	323	432	4.52	6.3	1.35	GRX99 GRXF99	4P	361	387	4.04	6.2	1.50	401	348	3.64	6.1	1.65	442	316	3.30	6.0	1.85			500	279	2.92	5.8	2.10	553	253	2.64	5.7	2.30	652	214	2.24	5.4	2.70	745	188	1.96	5.3			3.00	890	157	1.64	5.0	3.20	1028	136	1.42	4.8	3.30	420	333	3.48	4.0	1.20	472	296	3.09			4.3	1.35	529			264	2.76	4.2	1.50	589	237	2.48	4.1	1.65	679	206			2.15	4.0	1.80	756	185	1.93	3.9	1.90	913	153	1.60			3.8			2.00	1050	133	1.39	3.6	2.10	323	432	4.52	6.3	1.35	GRX89 GRXF89	4P	361	387	4.04	6.2	1.50	401	348	3.64	6.1	1.65	442	316	3.30	6.0	1.85	500	279	2.92	5.8	2.10	553	253	2.64	5.7	2.30	652	214	2.24	5.4	2.70	745	188	1.96	5.3	3.00	890	157	1.64	5.0	3.20	1028	136	1.42	4.8	3.30	420	333	3.48	4.0	1.20	472	296	3.09	4.3	1.35	529	264	2.76	4.2	1.50	589	237	2.48	4.1	1.65	679	206	2.15	4.0	1.80	756	185	1.93	3.9	1.90	913	153	1.60	3.8	2.00	1050	133	1.39	3.6	2.10											
10	13048	139.98	114	1.30			12	11354	121.81	114	1.50					14	10019	107.49	114	1.70				16	8686		93.19			114			1.95			18	7728	82.91	114	2.20	20	6870	73.70	114	2.50	22	6282	67.40	114	2.70							8.9	15336	109.31	33	0.80	GR149 GRF149	6P	118	1155	12.39			14	1.80	10			13272	94.60	57	0.95	12	11711	83.47	61	1.05	13	10114	72.09	63			1.20	14	9398	66.99	64	1.30	8.9	15222	163.31	34	0.80	GR149 GRF149	4P	135	1009	10.83			13	1.95	9.9			13694	146.91	54	0.90	12	11172	119.86	62	1.10	13	10189	109.31	63			1.20	15	8818			94.60	65	1.40			17	7780	83.47	66	1.60			21	6720	72.09			68	1.85	22			6244	66.99	68	2.00	24	5694	61.09	68	2.20	28	4928	52.87	69	2.50	31	4348	46.65	69	2.80	36	3755	40.29	69	3.30	41	3322	35.64	69	3.70	14	9619	103.20	29	0.80	GR149 GRF149	4P	157			866			9.29	13	2.20	16	8268	88.70	48	0.90	18	7542	80.91			51			1.00					20	6850	73.49	52			1.10	22	6077	65.20	54			1.25	25	5515	59.17	54	1.40	29	4741	50.86	55	1.60	33	4138	44.39	56	1.85	39	3509	37.65	57	2.20	44	3068	32.91	57	2.50	52	2594	27.83	57	2.80	61	2248	24.12	57	3.20	GR139 GRF139					4P	174	782	8.39	13			2.50	66	2051									22.00	57	3.50	77	1775			19.04	57			4.00	31	4440	47.63			23					0.90	GR139 GRF139			4P			205					664	7.12	12	2.90	36	3763	40.37	23	1.10	41	3287	35.26	22	1.25	50	2749	29.49	21	1.50	47	2868	30.77	22	1.40	53	2571	27.58	21	1.60	59	2321	24.90	21	1.75	65	2108	22.62	20	1.95	73	1871	20.07			20	2.20	80	1697	18.21	19	2.40	93	1459	15.65	19			2.80	107	1273	13.66	18					3.20	281					485					5.20	17	3.70	GR139 GRF139	4P	235	579	6.21	12	3.10	85	1599	17.15	11	0.85	95	1437	15.42	11	0.90	109	1247	13.38	11	1.00	122	1117			11.98	11	1.05	147	927	9.94	10	1.20	160	853	9.15	10	1.35			177	767	8.23	10	1.45	204	666	7.14	10	1.55			228			596	6.39	10	1.65					275	495	5.31			9.1	1.75			224	624	6.52	16	1.80	GRX139 GRXF139	4P	281	497	5.19	8.0	1.35	249	562	5.87	12	2.35	277	505	5.28	12	2.65	339	412	4.31	10	2.80	372	376	3.93	6.0	3.50	429	325	3.40	5.9	4.15	487	287	3.00	5.9	4.90	564	248	2.59	6.5	5.20	638	219	2.29	6.1	5.35	281	497	5.19	8.0	1.35	314			445	4.65	7.8	1.50	348	402	4.20	7.7	2.00	383	365	3.81	7.5	2.20	432			323	3.38	7.3	2.50	476	294	3.07	7.2	2.80	553	253	2.64	6.9	3.20					635	220	2.30	6.7	3.70	749	187			1.95	6.4	4.00	854			164			1.71	6.1	4.20	1014	138	1.44			5.9	4.60	323	432	4.52	6.3	1.35	GRX109 GRXF109	4P	361	387	4.04	6.2	1.50	401	348	3.64	6.1	1.65	442	316	3.30	6.0	1.85	500	279	2.92	5.8	2.10			553	253	2.64	5.7	2.30	652	214	2.24	5.4	2.70	745	188	1.96	5.3	3.00	890	157			1.64	5.0	3.20	1028	136	1.42	4.8	3.30	420	333	3.48	4.0	1.20	472	296	3.09	4.3			1.35			529	264	2.76	4.2	1.50	589	237	2.48	4.1			1.65	679	206	2.15	4.0	1.80	756	185					1.93	3.9	1.90	913	153	1.60	3.8	2.00	1050			133	1.39	3.6	2.10	323	432	4.52	6.3	1.35	GRX99 GRXF99	4P	361	387	4.04	6.2			1.50	401	348	3.64	6.1	1.65	442	316	3.30	6.0	1.85	500	279	2.92	5.8	2.10	553	253	2.64			5.7	2.30	652	214	2.24	5.4	2.70	745	188	1.96	5.3	3.00	890	157	1.64	5.0	3.20	1028	136			1.42	4.8	3.30			420	333	3.48	4.0	1.20	472	296	3.09	4.3	1.35	529			264	2.76	4.2	1.50	589	237	2.48	4.1	1.65	679	206			2.15			4.0	1.80	756	185	1.93	3.9	1.90	913	153	1.60	3.8			2.00	1050	133	1.39	3.6	2.10	323	432	4.52	6.3	1.35	GRX89 GRXF89	4P	361	387	4.04	6.2	1.50	401	348	3.64	6.1	1.65	442	316	3.30	6.0	1.85	500	279	2.92	5.8	2.10	553	253	2.64	5.7	2.30	652	214	2.24	5.4	2.70	745	188	1.96	5.3	3.00	890	157	1.64	5.0	3.20	1028	136	1.42	4.8	3.30	420	333	3.48	4.0	1.20	472	296	3.09	4.3	1.35	529	264	2.76	4.2	1.50	589	237	2.48	4.1	1.65	679	206	2.15	4.0	1.80	756	185	1.93	3.9	1.90	913	153	1.60	3.8	2.00	1050	133	1.39
12	11354	121.81	114	1.50			14	10019	107.49	114	1.70					16	8686	93.19	114	1.95				18	7728		82.91			114			2.20			20	6870	73.70	114	2.50	22	6282	67.40	114	2.70	8.9	15336	109.31	33	0.80							GR149 GRF149	6P	118	1155	12.39			14	1.80	10			13272	94.60	57			0.95	12	11711	83.47	61	1.05	13	10114	72.09	63	1.20	14	9398	66.99	64	1.30	8.9	15222	163.31	34	0.80	GR149 GRF149	4P	135	1009	10.83			13	1.95	9.9			13694	146.91	54			0.90	12	11172	119.86	62	1.10	13	10189	109.31	63	1.20	15	8818			94.60	65	1.40			17	7780	83.47			66	1.60	21	6720	72.09			68	1.85	22			6244	66.99	68			2.00	24	5694	61.09	68	2.20	28	4928	52.87	69	2.50	31	4348	46.65	69	2.80	36	3755	40.29	69	3.30	41	3322	35.64	69	3.70	14	9619	103.20	29	0.80	GR149 GRF149	4P	157			866			9.29			13	2.20	16	8268	88.70	48	0.90	18	7542	80.91	51			1.00			20					6850	73.49	52	1.10			22	6077	65.20	54	1.25			25	5515	59.17	54	1.40	29	4741	50.86	55	1.60	33	4138	44.39	56	1.85	39	3509	37.65	57	2.20	44	3068	32.91	57	2.50	52	2594	27.83	57	2.80	61	2248	24.12	57	3.20	GR139 GRF139							4P	174	782	8.39			13	2.50	66									2051	22.00	57	3.50	77			1775	19.04			57	4.00	31	4440			47.63					23							0.90					GR139 GRF139	4P	205	664	7.12	12	2.90	36	3763	40.37	23	1.10	41	3287	35.26	22	1.25	50	2749	29.49	21	1.50	47	2868	30.77	22	1.40	53	2571	27.58	21	1.60	59	2321	24.90	21	1.75	65	2108	22.62	20	1.95			73	1871	20.07	20	2.20	80	1697	18.21	19	2.40	93			1459	15.65	19	2.80	107					1273	13.66					18					3.20	281	485			5.20	17	3.70	GR139 GRF139	4P	235	579	6.21	12	3.10	85	1599	17.15	11	0.85	95	1437	15.42	11	0.90	109	1247			13.38	11	1.00	122	1117	11.98	11	1.05	147	927	9.94	10	1.20			160	853	9.15	10	1.35	177	767	8.23	10	1.45			204			666	7.14	10	1.55					228	596	6.39			10	1.65			275	495	5.31	9.1	1.75			224	624	6.52	16	1.80	GRX139 GRXF139	4P	281	497	5.19	8.0	1.35	249	562	5.87	12	2.35	277	505	5.28	12	2.65	339	412	4.31	10	2.80	372	376	3.93	6.0	3.50	429	325	3.40	5.9	4.15	487	287	3.00	5.9	4.90	564	248	2.59	6.5	5.20	638	219	2.29	6.1			5.35	281	497	5.19	8.0	1.35	314	445	4.65	7.8	1.50	348	402	4.20	7.7			2.00	383	365	3.81	7.5	2.20	432	323	3.38	7.3	2.50	476	294	3.07					7.2	2.80	553	253	2.64	6.9	3.20			635	220	2.30	6.7			3.70			749	187	1.95	6.4	4.00	854			164	1.71	6.1	4.20	1014	138	1.44			5.9	4.60	323	432	4.52	6.3	1.35	GRX109 GRXF109	4P	361	387	4.04	6.2	1.50	401	348	3.64	6.1	1.65	442			316	3.30	6.0	1.85	500	279	2.92	5.8	2.10	553	253	2.64	5.7	2.30	652	214	2.24			5.4	2.70	745	188	1.96	5.3	3.00	890	157	1.64	5.0	3.20	1028	136	1.42	4.8	3.30			420			333	3.48	4.0	1.20	472	296	3.09	4.3	1.35			529	264	2.76	4.2	1.50	589	237	2.48					4.1	1.65	679	206	2.15	4.0	1.80	756	185			1.93	3.9	1.90	913	153	1.60	3.8	2.00	1050			133	1.39	3.6	2.10			323	432	4.52	6.3	1.35	GRX99 GRXF99	4P	361	387	4.04	6.2	1.50	401	348	3.64	6.1	1.65	442	316			3.30	6.0	1.85	500	279	2.92	5.8	2.10	553	253	2.64	5.7	2.30	652	214	2.24	5.4	2.70	745			188	1.96	5.3			3.00	890	157	1.64	5.0	3.20	1028	136	1.42	4.8	3.30			420	333	3.48	4.0	1.20	472	296	3.09	4.3	1.35	529			264			2.76	4.2	1.50	589	237	2.48	4.1	1.65	679	206	2.15			4.0	1.80	756	185	1.93	3.9	1.90	913	153	1.60	3.8			2.00	1050	133	1.39	3.6	2.10	323	432	4.52	6.3	1.35	GRX89 GRXF89	4P	361	387	4.04	6.2	1.50	401	348	3.64	6.1	1.65	442	316	3.30	6.0	1.85	500	279	2.92	5.8	2.10	553	253	2.64	5.7	2.30	652	214	2.24	5.4	2.70	745	188	1.96	5.3	3.00	890	157	1.64	5.0	3.20	1028	136	1.42	4.8	3.30	420	333	3.48	4.0	1.20	472	296	3.09	4.3	1.35	529	264	2.76	4.2	1.50	589	237	2.48	4.1	1.65	679	206	2.15	4.0	1.80
14	10019	107.49	114	1.70			16	8686	93.19	114	1.95					18	7728	82.91	114	2.20				20	6870		73.70			114	2.50	22	6282			67.40	114	2.70	8.9	15336	109.31	33	0.80	GR149 GRF149	6P	118	1155	12.39	14	1.80			10	13272					94.60	57	0.95			12	11711	83.47			61	1.05	13			10114	72.09	63	1.20	14	9398	66.99	64	1.30	8.9	15222	163.31	34	0.80	GR149 GRF149	4P	135	1009	10.83	13	1.95			9.9	13694	146.91			54	0.90	12			11172	119.86	62			1.10	13	10189	109.31	63	1.20	15	8818	94.60	65	1.40	17	7780			83.47	66	1.60			21	6720	72.09			68	1.85	22	6244	66.99			68	2.00	24			5694	61.09	68			2.20	28	4928	52.87	69	2.50	31	4348	46.65	69	2.80	36	3755	40.29	69	3.30	41	3322	35.64	69	3.70	14	9619	103.20	29	0.80	GR149 GRF149	4P	157	866	9.29			13			2.20			16			8268	88.70	48	0.90	18	7542	80.91	51	1.00	20	6850			73.49			52		1.10	22		6077	65.20	54	1.25			25	5515	59.17	54	1.40			29	4741	50.86	55	1.60	33	4138	44.39	56	1.85	39	3509	37.65	57	2.20	44	3068	32.91	57	2.50	52	2594	27.83	57	2.80	61	2248	24.12	57	3.20	GR139 GRF139	4P	174	782	8.39									13	2.50	66	2051	22.00	57	3.50	77									1775	19.04	57	4.00	31			4440	47.63	23	0.90	GR139 GRF139	4P	205	664			7.12					12							2.90							36	3763	40.37	23	1.10	41	3287	35.26	22	1.25	50	2749	29.49	21	1.50	47	2868	30.77	22	1.40	53	2571	27.58	21	1.60	59	2321	24.90	21	1.75	65	2108	22.62	20	1.95	73	1871	20.07	20	2.20	80	1697	18.21	19	2.40	93	1459	15.65	19	2.80	107	1273	13.66			18	3.20	281	485	5.20					17	3.70					GR139 GRF139					4P	235	579			6.21	12	3.10			85	1599	17.15	11	0.85	95	1437	15.42	11	0.90	109	1247	13.38	11	1.00	122	1117	11.98	11	1.05	147	927	9.94	10	1.20	160	853	9.15	10	1.35	177	767			8.23	10	1.45	204	666	7.14	10	1.55	228	596			6.39			10	1.65	275	495					5.31	9.1	1.75			224	624			6.52	16	1.80	GRX139 GRXF139	4P			281	497	5.19	8.0	1.35			249	562	5.87	12	2.35	277	505	5.28	12	2.65	339	412	4.31	10	2.80	372	376	3.93	6.0	3.50	429	325	3.40	5.9	4.15	487	287	3.00	5.9	4.90	564	248	2.59	6.5	5.20	638	219	2.29	6.1	5.35	281	497	5.19	8.0	1.35	314	445	4.65	7.8	1.50	348	402	4.20	7.7	2.00	383	365	3.81	7.5	2.20	432			323	3.38	7.3	2.50	476	294	3.07	7.2	2.80	553	253	2.64	6.9	3.20					635	220	2.30	6.7	3.70	749	187			1.95	6.4	4.00	854			164			1.71	6.1	4.20	1014	138	1.44			5.9	4.60	323	432	4.52	6.3	1.35			GRX109 GRXF109	4P	361	387	4.04	6.2	1.50			401	348	3.64	6.1	1.65	442	316	3.30	6.0	1.85	500	279	2.92	5.8	2.10	553	253	2.64	5.7	2.30	652	214	2.24	5.4	2.70	745	188	1.96	5.3	3.00			890	157	1.64	5.0	3.20	1028	136	1.42	4.8	3.30	420	333	3.48	4.0	1.20	472	296			3.09			4.3	1.35	529	264	2.76	4.2	1.50	589	237			2.48	4.1	1.65	679	206	2.15	4.0	1.80					756	185	1.93	3.9	1.90	913	153	1.60	3.8			2.00	1050	133	1.39	3.6	2.10	323	432	4.52			6.3	1.35	GRX99 GRXF99	4P	361	387	4.04	6.2	1.50	401	348			3.64	6.1	1.65	442	316	3.30	6.0	1.85	500	279	2.92	5.8			2.10	553	253	2.64	5.7	2.30	652	214	2.24	5.4	2.70	745	188	1.96	5.3	3.00	890	157	1.64			5.0	3.20	1028			136	1.42	4.8	3.30	420	333	3.48	4.0	1.20	472	296			3.09	4.3	1.35	529	264	2.76	4.2	1.50	589	237	2.48			4.1			1.65	679	206	2.15	4.0	1.80	756	185	1.93	3.9	1.90			913	153	1.60	3.8	2.00	1050	133	1.39	3.6	2.10	323			432	4.52	6.3	1.35	GRX89 GRXF89	4P	361	387	4.04	6.2	1.50			401	348	3.64	6.1	1.65	442	316	3.30	6.0	1.85	500	279	2.92	5.8	2.10	553	253	2.64	5.7	2.30	652	214	2.24	5.4	2.70	745	188	1.96	5.3	3.00	890	157	1.64	5.0	3.20	1028	136	1.42	4.8	3.30	420	333	3.48	4.0	1.20	472	296	3.09	4.3	1.35	529	264	2.76	4.2	1.50	589	237	2.48	4.1	1.65	679	206	2.15	4.0	1.80	756	185	1.93	3.9	1.90
16	8686	93.19	114	1.95			18	7728	82.91	114	2.20					20	6870	73.70	114	2.50				22	6282		67.40	114	2.70	8.9	15336	109.31	33			0.80	GR149 GRF149	6P	118	1155	12.39	14	1.80			10	13272	94.60	57	0.95		12	11711	83.47	61				1.05	13	10114			72.09	63	1.20			14	9398	66.99	64	1.30	8.9	15222	163.31	34	0.80	GR149 GRF149	4P	135	1009	10.83	13	1.95	9.9	13694			146.91	54	0.90	12	11172			119.86	62	1.10			13	10189	109.31			63	1.20	15			8818	94.60	65	1.40	17	7780	83.47	66	1.60	21	6720	72.09	68			1.85	22	6244			66.99	68	2.00			24	5694	61.09	68	2.20			28	4928	52.87			69	2.50	31			4348	46.65	69	2.80	36	3755	40.29	69	3.30	41	3322	35.64	69	3.70	14	9619	103.20	29	0.80	GR149 GRF149	4P	157	866	9.29	13	2.20			16	8268	88.70			48			0.90			18			7542	80.91	51	1.00	20	6850	73.49	52	1.10	22	6077			65.20			54		1.25	25		5515	59.17	54	1.40	29	4741	50.86	55	1.60	33	4138			44.39	56	1.85	39	3509	37.65	57	2.20	44	3068	32.91	57	2.50	52	2594	27.83	57	2.80	61	2248	24.12	57	3.20	GR139 GRF139	4P	174	782	8.39	13	2.50			66	2051	22.00									57	3.50	77	1775	19.04	57	4.00	31					4440	47.63			23	0.90	GR139 GRF139	4P	205			664	7.12	12	2.90			36	3763			40.37			23	1.10	41							3287							35.26	22	1.25	50	2749	29.49	21	1.50	47	2868	30.77	22	1.40	53	2571	27.58	21	1.60	59	2321	24.90	21	1.75	65	2108	22.62	20	1.95	73	1871	20.07	20	2.20	80	1697	18.21	19	2.40	93	1459	15.65	19	2.80	107	1273	13.66	18	3.20	281	485	5.20	17	3.70	GR139 GRF139	4P	235	579	6.21	12	3.10					85	1599											17.15	11			0.85	95	1437			15.42	11	0.90	109	1247	13.38	11	1.00	122	1117	11.98	11	1.05	147	927	9.94	10	1.20	160	853	9.15	10	1.35	177	767	8.23	10	1.45	204	666	7.14	10	1.55	228	596	6.39	10	1.65	275	495	5.31	9.1	1.75	224			624			6.52	16	1.80	GRX139 GRXF139					4P	281	497			5.19	8.0			1.35	249	562					5.87	12	2.35	277	505			5.28	12	2.65	339	412	4.31	10	2.80	372	376	3.93	6.0	3.50	429	325	3.40	5.9	4.15	487	287	3.00	5.9	4.90	564	248	2.59	6.5	5.20	638	219	2.29	6.1	5.35	281	497	5.19	8.0	1.35	314	445	4.65	7.8	1.50	348	402	4.20	7.7	2.00	383	365	3.81	7.5	2.20	432	323	3.38	7.3	2.50	476	294	3.07	7.2	2.80	553	253	2.64	6.9	3.20	635	220	2.30	6.7	3.70	749	187	1.95	6.4					4.00	854	164	1.71	6.1	4.20	1014			138	1.44	5.9	4.60			323			432	4.52	6.3	1.35	GRX109 GRXF109	4P			361	387	4.04	6.2	1.50	401	348					3.64	6.1	1.65	442	316			3.30	6.0	1.85	500	279	2.92	5.8	2.10	553	253	2.64	5.7	2.30	652	214	2.24	5.4	2.70	745	188	1.96	5.3	3.00	890	157	1.64	5.0	3.20	1028	136	1.42	4.8	3.30	420	333	3.48	4.0	1.20	472	296	3.09	4.3	1.35	529	264	2.76	4.2	1.50	589			237			2.48	4.1	1.65	679	206	2.15	4.0	1.80	756			185	1.93	3.9	1.90	913	153	1.60	3.8					2.00	1050	133	1.39	3.6	2.10	323	432	4.52			6.3	1.35	GRX99 GRXF99	4P	361	387	4.04	6.2	1.50			401	348			3.64	6.1	1.65	442	316	3.30	6.0			1.85	500	279	2.92	5.8	2.10	553	253	2.64	5.7	2.30	652	214	2.24	5.4	2.70	745	188	1.96	5.3	3.00	890	157	1.64	5.0	3.20	1028	136	1.42	4.8	3.30	420	333			3.48	4.0	1.20			472	296	3.09	4.3	1.35	529	264	2.76	4.2	1.50	589			237	2.48	4.1	1.65	679	206	2.15	4.0	1.80	756	185			1.93			3.9	1.90	913	153	1.60	3.8	2.00	1050	133	1.39	3.6			2.10	323	432	4.52	6.3	1.35	GRX89 GRXF89	4P	361	387	4.04			6.2	1.50	401	348			3.64	6.1	1.65	442	316			3.30	6.0	1.85	500	279	2.92	5.8	2.10	553	253	2.64	5.7	2.30	652	214	2.24	5.4	2.70	745	188	1.96	5.3	3.00	890	157	1.64	5.0	3.20	1028	136	1.42	4.8	3.30	420	333	3.48	4.0	1.20	472	296	3.09	4.3	1.35	529	264	2.76	4.2	1.50	589	237	2.48	4.1	1.65	679	206	2.15	4.0	1.80	756	185	1.93	3.9	1.90	913	153	1.60	3.8	2.00	1050	133
18	7728	82.91	114	2.20			20	6870	73.70	114	2.50					22	6282	67.40	114	2.70			8.9	15336	109.31	33	0.80	GR149 GRF149	6P	118	1155	12.39	14			1.80			10	13272	94.60	57	0.95			12	11711	83.47	61	1.05	13	10114	72.09	63	1.20	14			9398	66.99	64			1.30	8.9	15222	163.31	34	0.80	GR149 GRF149	4P	135	1009	10.83	13	1.95	9.9	13694			146.91	54	0.90	12	11172	119.86	62			1.10	13	10189	109.31	63			1.20	15	8818			94.60	65	1.40			17	7780	83.47			66	1.60	21	6720	72.09	68	1.85	22	6244	66.99	68	2.00	24			5694	61.09	68			2.20	28	4928			52.87	69	2.50	31	4348			46.65	69	2.80			36	3755	40.29			69	3.30	41	3322	35.64	69	3.70	14	9619	103.20	29	0.80	GR149 GRF149	4P	157	866	9.29	13	2.20			16	8268	88.70	48	0.90			18	7542	80.91			51			1.00			20			6850	73.49	52	1.10	22	6077	65.20	54	1.25	25	5515			59.17			54		1.40	29		4741	50.86	55	1.60	33	4138	44.39	56	1.85	39	3509	37.65	57	2.20	44	3068	32.91	57	2.50	52	2594	27.83	57	2.80	61	2248	24.12	57	3.20	GR139 GRF139	4P	174	782	8.39	13	2.50			66	2051	22.00	57	3.50			77	1775	19.04									57	4.00	31	4440	47.63	23	0.90	GR139 GRF139					4P	205			664	7.12			12	2.90	36	3763	40.37	23	1.10			41	3287			35.26			22	1.25	50							2749		29.49	21				1.50	47	2868	30.77	22	1.40	53	2571	27.58	21	1.60	59	2321	24.90	21	1.75	65	2108	22.62	20	1.95	73	1871	20.07	20	2.20	80	1697	18.21	19	2.40	93	1459	15.65	19	2.80	107	1273	13.66	18	3.20	281	485	5.20	17	3.70	GR139 GRF139	4P	235	579	6.21	12	3.10			85	1599	17.15	11	0.85					95	1437	15.42	11									0.90	109			1247	13.38	11			1.00	122	1117	11.98	11	1.05	147	927	9.94	10	1.20	160	853	9.15	10	1.35	177	767	8.23	10	1.45	204	666	7.14	10	1.55	228	596	6.39	10	1.65	275	495	5.31	9.1	1.75	224	624	6.52	16	1.80	GRX139 GRXF139	4P	281			497	5.19	8.0	1.35	249	562							5.87	12			2.35	277			505	5.28	12					2.65	339	412	4.31	10			2.80	372	376	3.93	6.0	3.50	429	325	3.40	5.9	4.15	487	287	3.00	5.9	4.90	564	248	2.59	6.5	5.20	638	219	2.29	6.1	5.35	281	497	5.19	8.0	1.35	314	445	4.65	7.8	1.50	348	402	4.20	7.7	2.00	383	365	3.81	7.5	2.20	432	323	3.38	7.3	2.50	476	294	3.07	7.2	2.80	553	253	2.64	6.9	3.20	635	220	2.30	6.7	3.70	749	187	1.95	6.4	4.00	854	164	1.71	6.1	4.20	1014		138	1.44		5.9	4.60	323	432	4.52	6.3	1.35			GRX109 GRXF109	4P	361	387			4.04			6.2	1.50	401	348					3.64	6.1	1.65	442	316	3.30	6.0					1.85	500	279	2.92	5.8			2.10	553	253	2.64	5.7	2.30	652	214	2.24	5.4	2.70	745	188	1.96	5.3	3.00	890	157	1.64	5.0	3.20	1028	136	1.42	4.8	3.30	420	333	3.48	4.0	1.20	472	296	3.09	4.3	1.35	529	264	2.76	4.2	1.50	589	237	2.48	4.1	1.65	679	206	2.15	4.0	1.80	756			185	1.93	3.9	1.90	913	153	1.60	3.8	2.00			1050	133	1.39	3.6	2.10	323	432	4.52					6.3	1.35	GRX99 GRXF99	4P	361	387	4.04	6.2	1.50			401	348			3.64	6.1	1.65	442	316			3.30	6.0			1.85	500	279	2.92	5.8	2.10	553			253	2.64	5.7	2.30	652	214	2.24	5.4	2.70	745	188	1.96	5.3	3.00	890	157	1.64	5.0	3.20	1028	136	1.42	4.8	3.30	420	333	3.48	4.0	1.20	472	296	3.09	4.3	1.35	529	264	2.76	4.2			1.50	589	237	2.48	4.1	1.65	679	206	2.15	4.0	1.80			756	185	1.93	3.9	1.90	913	153	1.60	3.8	2.00	1050			133			1.39	3.6	2.10	323	432	4.52	6.3	1.35	GRX89 GRXF89	4P	361			387	4.04	6.2	1.50	401	348			3.64	6.1	1.65			442	316	3.30	6.0			1.85	500	279	2.92	5.8			2.10	553	253	2.64	5.7	2.30	652	214	2.24	5.4	2.70	745	188	1.96	5.3	3.00	890	157	1.64	5.0	3.20	1028	136	1.42	4.8	3.30	420	333	3.48	4.0	1.20	472	296	3.09	4.3	1.35	529	264	2.76	4.2	1.50	589	237	2.48	4.1	1.65	679	206	2.15	4.0	1.80	756	185	1.93	3.9	1.90	913	153	1.60	3.8	2.00	1050	133	1.39	3.6	2.10				
20	6870	73.70	114	2.50			22	6282	67.40	114	2.70	8.9	15336			109.31	33	0.80	GR149 GRF149	6P			118	1155	12.39	14	1.80			10	13272	94.60	57			0.95			12	11711	83.47	61	1.05			13	10114	72.09	63	1.20	14	9398	66.99	64	1.30	8.9			15222	163.31	34	0.80	GR149 GRF149	4P	135	1009	10.83	13	1.95			9.9	13694	146.91	54	0.90	12	11172			119.86	62	1.10	13	10189	109.31	63			1.20	15	8818	94.60	65			1.40	17	7780			83.47	66	1.60			21	6720	72.09			68	1.85	22	6244	66.99	68	2.00	24	5694	61.09	68	2.20	28			4928	52.87	69			2.50	31	4348			46.65	69	2.80	36	3755	40.29	69	3.30	41	3322			35.64	69	3.70			14	9619	103.20	29	0.80	GR149 GRF149	4P	157	866	9.29	13	2.20			16	8268	88.70	48	0.90			18	7542	80.91	51	1.00			20	6850	73.49			52			1.10			22			6077	65.20	54	1.25	25	5515	59.17	54	1.40	29	4741			50.86			55		1.60	33		4138	44.39	56	1.85	39	3509	37.65	57	2.20	44	3068	32.91	57	2.50	52	2594	27.83	57	2.80	61	2248	24.12	57	3.20	GR139 GRF139	4P	174	782	8.39			13	2.50	66	2051	22.00			57	3.50	77	1775	19.04			57	4.00	31									4440	47.63	23	0.90	GR139 GRF139	4P	205							664			7.12	12			2.90	36	3763	40.37	23	1.10	41			3287	35.26			22			1.25	50	2749							29.49		21	1.50				47	2868	30.77	22	1.40	53	2571	27.58	21	1.60	59	2321	24.90	21	1.75	65	2108	22.62	20	1.95	73	1871	20.07	20	2.20	80	1697	18.21	19	2.40	93	1459	15.65	19	2.80	107	1273	13.66	18	3.20	281	485	5.20	17	3.70	GR139 GRF139			4P	235	579	6.21	12			3.10	85	1599	17.15	11					0.85	95	1437	15.42									11	0.90			109	1247	13.38			11	1.00	122	1117	11.98	11	1.05	147	927	9.94	10	1.20	160	853	9.15	10	1.35	177	767	8.23	10	1.45	204	666	7.14	10	1.55	228	596	6.39	10	1.65	275	495	5.31	9.1	1.75	224	624	6.52	16			1.80			GRX139 GRXF139	4P	281	497	5.19	8.0							1.35	249			562	5.87			12	2.35	277					505	5.28	12	2.65	339			412	4.31	10	2.80	372	376	3.93	6.0	3.50	429	325	3.40	5.9	4.15	487	287	3.00	5.9	4.90	564	248	2.59	6.5	5.20	638	219	2.29	6.1	5.35	281	497	5.19	8.0	1.35	314	445	4.65	7.8	1.50	348	402	4.20	7.7	2.00	383	365	3.81	7.5	2.20	432	323	3.38	7.3	2.50	476	294	3.07	7.2	2.80	553	253	2.64	6.9	3.20	635	220	2.30	6.7	3.70	749	187	1.95	6.4	4.00	854	164	1.71		6.1	4.20		1014	138	1.44	5.9	4.60	323	432					4.52	6.3			1.35			GRX109 GRXF109	4P	361	387					4.04	6.2	1.50	401	348	3.64	6.1					1.65	442	316	3.30	6.0			1.85	500	279	2.92	5.8	2.10	553	253	2.64	5.7	2.30	652	214	2.24	5.4	2.70	745	188	1.96	5.3	3.00	890	157	1.64	5.0	3.20	1028	136	1.42	4.8	3.30	420	333	3.48	4.0	1.20	472	296	3.09	4.3	1.35	529	264	2.76	4.2	1.50	589	237	2.48	4.1	1.65	679			206	2.15	4.0	1.80	756	185	1.93	3.9	1.90			913	153	1.60	3.8	2.00	1050	133	1.39					3.6	2.10			323	432	4.52	6.3	1.35			GRX99 GRXF99	4P			361	387	4.04	6.2	1.50			401	348			3.64	6.1	1.65	442	316	3.30	6.0			1.85	500	279	2.92	5.8	2.10	553	253	2.64	5.7	2.30	652	214	2.24	5.4	2.70	745	188	1.96	5.3	3.00	890	157	1.64	5.0	3.20	1028	136	1.42	4.8	3.30	420	333	3.48	4.0	1.20	472	296			3.09	4.3	1.35	529	264	2.76	4.2	1.50	589	237	2.48			4.1	1.65	679	206	2.15	4.0	1.80	756	185	1.93	3.9			1.90			913	153	1.60	3.8	2.00	1050	133	1.39			3.6			2.10	323	432	4.52	6.3	1.35			GRX89 GRXF89	4P	361			387	4.04	6.2	1.50			401	348	3.64	6.1	1.65			442	316	3.30	6.0	1.85	500	279	2.92	5.8	2.10	553	253	2.64	5.7	2.30	652	214	2.24	5.4	2.70	745	188	1.96	5.3	3.00	890	157	1.64	5.0	3.20	1028	136	1.42	4.8	3.30	420	333	3.48	4.0	1.20	472	296	3.09	4.3	1.35	529	264	2.76	4.2	1.50	589	237	2.48	4.1	1.65	679	206	2.15	4.0	1.80	756	185	1.93	3.9	1.90	913	153	1.60	3.8	2.00
22	6282	67.40	114	2.70			8.9	15336	109.31	33	0.80	GR149 GRF149	6P			118	1155	12.39					14	1.80	10	13272	94.60			57	0.95	12	11711	83.47	61	1.05			13	10114	72.09	63	1.20			14	9398	66.99	64	1.30	8.9	15222	163.31	34	0.80	GR149 GRF149	4P	135	1009	10.83	13	1.95			9.9	13694	146.91	54	0.90			12	11172	119.86	62	1.10	13	10189			109.31	63	1.20	15	8818	94.60	65			1.40	17	7780	83.47	66			1.60	21	6720			72.09	68	1.85			22	6244	66.99			68	2.00	24	5694	61.09	68	2.20	28	4928	52.87	69	2.50	31			4348	46.65	69			2.80	36	3755			40.29	69	3.30	41	3322	35.64	69	3.70	14	9619	103.20	29	0.80	GR149 GRF149	4P			157	866	9.29	13	2.20			16	8268	88.70	48	0.90			18	7542	80.91	51	1.00			20	6850	73.49	52	1.10			22	6077	65.20			54			1.25			25			5515	59.17	54	1.40	29	4741	50.86	55	1.60	33	4138			44.39			56	1.85	39	3509	37.65	57	2.20	44	3068	32.91	57	2.50	52	2594	27.83	57	2.80	61	2248	24.12	57	3.20	GR139 GRF139	4P	174	782	8.39	13	2.50			66	2051	22.00			57	3.50	77	1775	19.04			57	4.00	31	4440	47.63			23	0.90	GR139 GRF139									4P	205	664	7.12			12				2.90	36		3763			40.37	23			1.10	41	3287	35.26	22	1.25	50			2749	29.49			21			1.50	47	2868		30.77	22				1.40		53	2571				27.58	21	1.60	59	2321	24.90	21	1.75	65	2108	22.62	20	1.95	73	1871	20.07	20	2.20	80	1697	18.21	19	2.40	93	1459	15.65	19	2.80	107	1273	13.66	18	3.20	281	485	5.20	17	3.70	GR139 GRF139	4P	235	579	6.21	12	3.10					85	1599	17.15	11			0.85	95	1437	15.42	11		0.90	109		1247	13.38	11	1.00									122	1117			11.98	11	1.05			147	927	9.94	10	1.20	160	853	9.15	10	1.35	177	767	8.23	10	1.45	204	666	7.14	10	1.55	228	596	6.39	10	1.65	275	495	5.31	9.1	1.75	224	624	6.52	16	1.80	GRX139 GRXF139	4P	281	497	5.19	8.0			1.35	249	562			5.87	12	2.35	277							505	5.28			12	2.65			339	412	4.31					10	2.80	372	376	3.93			6.0	3.50	429	325	3.40	5.9	4.15	487	287	3.00	5.9	4.90	564	248	2.59	6.5	5.20	638	219	2.29	6.1	5.35	281	497	5.19	8.0	1.35	314	445	4.65	7.8	1.50	348	402	4.20	7.7	2.00	383	365	3.81	7.5	2.20	432	323	3.38	7.3	2.50	476	294	3.07	7.2	2.80	553	253	2.64	6.9	3.20	635	220	2.30	6.7	3.70	749	187	1.95	6.4	4.00	854	164	1.71	6.1	4.20	1014	138	1.44	5.9	4.60	323	432	4.52	6.3	1.35	GRX109 GRXF109	4P	361	387	4.04	6.2					1.50	401			348					3.64	6.1					1.65	442	316	3.30	6.0	1.85	500					279	2.92	5.8	2.10	553			253	2.64	5.7	2.30	652	214	2.24	5.4	2.70	745	188	1.96	5.3	3.00	890	157	1.64	5.0	3.20	1028	136	1.42	4.8	3.30	420	333	3.48	4.0	1.20	472	296	3.09	4.3	1.35	529	264	2.76	4.2	1.50	589	237	2.48	4.1	1.65	679	206	2.15	4.0	1.80	756	185	1.93	3.9	1.90	913	153	1.60	3.8	2.00	1050	133	1.39	3.6			2.10	323	432	4.52	6.3	1.35	GRX99 GRXF99	4P					361	387			4.04	6.2	1.50	401	348							3.64	6.1	1.65	442	316			3.30	6.0			1.85	500	279	2.92	5.8	2.10	553			253	2.64	5.7	2.30	652	214	2.24	5.4	2.70	745	188	1.96	5.3	3.00	890	157	1.64	5.0	3.20	1028	136	1.42	4.8	3.30	420	333	3.48	4.0	1.20	472	296	3.09	4.3	1.35	529	264	2.76	4.2	1.50	589	237	2.48	4.1	1.65	679	206	2.15	4.0	1.80	756	185			1.93	3.9	1.90	913	153	1.60	3.8	2.00	1050	133	1.39			3.6			2.10	323	432	4.52	6.3	1.35	GRX89 GRXF89	4P			361			387	4.04	6.2	1.50	401	348					3.64			6.1	1.65	442	316			3.30	6.0	1.85	500	279			2.92	5.8	2.10	553	253	2.64	5.7	2.30	652	214	2.24	5.4	2.70	745	188	1.96	5.3	3.00	890	157	1.64	5.0	3.20	1028	136	1.42	4.8	3.30	420	333	3.48	4.0	1.20	472	296	3.09	4.3	1.35	529	264	2.76	4.2	1.50	589	237	2.48	4.1	1.65	679	206	2.15	4.0	1.80	756	185	1.93	3.9	1.90	913	153	1.60	3.8	2.00	1050	133	1.39	3.6	2.10		
8.9	15336	109.31	33	0.80			GR149 GRF149	6P	118	1155	12.39					14	1.80																																																																																																																																																																																																																																																																																																																																																																																																																																																																																																																																																																																																																																																																																																																																																																																																																																																																																																																							
10	13272	94.60	57	0.95					12	11711	83.47			61	1.05	13	10114	72.09			63	1.20	14	9398	66.99	64	1.30			8.9	15222	163.31	34	0.80	GR149 GRF149	4P	135	1009	10.83	13	1.95	9.9	13694	146.91	54	0.90	12	11172	119.86	62	1.10	13	10189	109.31	63			1.20	15	8818	94.60	65			1.40	17	7780	83.47	66			1.60	21	6720	72.09	68	1.85	22			6244	66.99	68	2.00	24	5694	61.09			68	2.20	28	4928	52.87			69	2.50	31			4348	46.65	69			2.80	36	3755			40.29	69	3.30	41	3322	35.64	69	3.70	14	9619	103.20	29	0.80			GR149 GRF149	4P	157			866	9.29	13			2.20	16	8268	88.70	48	0.90	18	7542	80.91	51	1.00	20	6850			73.49	52	1.10	22	6077	65.20	54			1.25	25	5515	59.17	54			1.40	29	4741	50.86	55			1.60	33	4138	44.39	56			1.85	39	3509			37.65			57			2.20			44	3068	32.91	57	2.50	52	2594	27.83	57	2.80	61	2248	24.12	57	3.20	GR139 GRF139	4P	174	782	8.39	13	2.50	66	2051	22.00	57	3.50	77	1775	19.04	57	4.00	31	4440	47.63	23	0.90	GR139 GRF139			4P	205	664	7.12	12			2.90	36	3763			40.37	23	1.10	41	3287			35.26	22	1.25	50	2749			29.49	21											1.50	47	2868			30.77		22	1.40	53	2571		27.58	21	1.60	59	2321			24.90	21	1.75	65	2108	22.62	20			1.95	73			1871			20.07	20	2.20		80	1697		18.21	19	2.40	93	1459	15.65	19			2.80	107	1273	13.66	18	3.20	281	485	5.20	17	3.70	GR139 GRF139	4P	235	579	6.21	12	3.10	85	1599	17.15	11	0.85	95	1437	15.42	11	0.90	109	1247	13.38	11	1.00	122	1117	11.98	11	1.05			147	927	9.94	10	1.20					160	853	9.15	10			1.35	177	767	8.23	10		1.45	204		666	7.14	10	1.55	228	596				6.39	10		1.65	275			495	5.31	9.1			1.75	224	624	6.52	16	1.80	GRX139 GRXF139	4P	281	497	5.19	8.0	1.35	249	562	5.87	12	2.35	277	505	5.28	12	2.65	339	412	4.31	10	2.80	372	376	3.93	6.0	3.50	429	325			3.40	5.9	4.15	487			287	3.00	5.9			4.90	564	248	2.59		6.5	5.20				638	219	2.29	6.1	5.35	281			497	5.19	8.0					1.35	314	445	4.65	7.8			1.50	348	402	4.20	7.7	2.00	383	365	3.81	7.5	2.20	432	323	3.38	7.3	2.50	476	294	3.07	7.2	2.80	553	253	2.64	6.9	3.20	635	220	2.30	6.7	3.70	749	187	1.95	6.4	4.00	854	164	1.71	6.1	4.20	1014	138	1.44	5.9	4.60	323	432	4.52	6.3	1.35	GRX109 GRXF109	4P	361	387	4.04	6.2	1.50	401	348	3.64	6.1	1.65	442	316	3.30	6.0	1.85	500	279	2.92	5.8	2.10	553	253	2.64	5.7	2.30	652	214	2.24	5.4			2.70	745	188	1.96	5.3	3.00			890	157			1.64	5.0	3.20			1028	136					1.42	4.8	3.30	420	333	3.48	4.0					1.20	472	296	3.09	4.3			1.35	529	264	2.76	4.2	1.50	589	237	2.48	4.1	1.65	679	206	2.15	4.0	1.80	756	185	1.93	3.9	1.90	913	153	1.60	3.8	2.00	1050	133	1.39	3.6	2.10	323	432	4.52	6.3	1.35	GRX99 GRXF99	4P	361	387	4.04	6.2	1.50	401	348	3.64	6.1	1.65	442	316	3.30	6.0	1.85	500	279	2.92	5.8	2.10	553	253	2.64	5.7	2.30	652	214	2.24	5.4	2.70	745	188	1.96				5.3	3.00		890	157			1.64	5.0	3.20	1028	136							1.42	4.8	3.30	420	333			3.48	4.0			1.20	472	296	3.09	4.3	1.35	529			264	2.76	4.2	1.50	589	237	2.48	4.1	1.65	679	206	2.15	4.0	1.80	756	185	1.93	3.9	1.90	913	153	1.60	3.8	2.00	1050	133	1.39	3.6	2.10	323	432	4.52	6.3	1.35	GRX89 GRXF89	4P	361	387	4.04	6.2	1.50	401	348	3.64	6.1	1.65	442	316	3.30	6.0	1.85	500	279	2.92	5.8	2.10	553	253	2.64	5.7	2.30	652	214	2.24	5.4	2.70	745			188	1.96	5.3	3.00	890	157					1.64			5.0	3.20	1028	136	1.42	4.8					3.30			420	333	3.48	4.0			1.20	472	296	3.09	4.3			1.35	529	264	2.76	4.2	1.50	589	237	2.48	4.1	1.65	679	206	2.15	4.0	1.80	756	185	1.93	3.9	1.90	913	153	1.60	3.8	2.00	1050	133	1.39	3.6	2.10																																							
12	11711	83.47	61	1.05	13	10114			72.09	63	1.20			14	9398	66.99	64	1.30			8.9	15222	163.31	34	0.80	GR149 GRF149	4P	135	1009	10.83	13	1.95	9.9	13694			146.91	54	0.90	12	11172	119.86	62	1.10	13	10189	109.31	63	1.20	15	8818	94.60	65	1.40	17			7780	83.47	66	1.60	21			6720	72.09	68	1.85	22			6244	66.99	68	2.00	24	5694	61.09			68	2.20	28	4928	52.87	69	2.50			31	4348	46.65	69	2.80			36	3755	40.29			69	3.30	41			3322	35.64	69			3.70	14	9619	103.20	29	0.80	GR149 GRF149	4P	157	866	9.29	13	2.20					16			8268	88.70	48	0.90	18	7542	80.91	51	1.00	20	6850	73.49	52	1.10	22	6077	65.20	54			1.25	25	5515	59.17	54	1.40	29			4741	50.86	55	1.60	33			4138	44.39	56	1.85	39			3509	37.65	57	2.20	44			3068	32.91	57			2.50			52			2594			27.83	57	2.80	61	2248	24.12	57	3.20	GR139 GRF139	4P	174	782	8.39	13	2.50			66	2051	22.00	57	3.50	77	1775	19.04	57	4.00	31	4440	47.63	23	0.90	GR139 GRF139	4P	205	664	7.12					12	2.90	36	3763			40.37	23	1.10			41	3287	35.26	22	1.25			50	2749	29.49	21	1.50			47	2868											30.77	22	1.40			53		2571	27.58	21	1.60		59	2321	24.90	21	1.75			65	2108	22.62	20	1.95	73	1871			20.07	20			2.20			80	1697	18.21		19	2.40		93	1459	15.65	19	2.80	107	1273			13.66	18	3.20	281	485	5.20	17	3.70	GR139 GRF139	4P	235			579	6.21	12	3.10	85	1599	17.15	11	0.85	95	1437	15.42	11	0.90	109	1247	13.38	11	1.00	122	1117	11.98	11	1.05	147			927	9.94	10	1.20	160					853	9.15	10	1.35			177	767	8.23	10	1.45		204	666		7.14	10	1.55	228	596	6.39				10	1.65		275	495			5.31	9.1	1.75			224	624	6.52	16	1.80	GRX139 GRXF139			4P	281	497	5.19	8.0	1.35	249	562	5.87	12	2.35	277	505	5.28	12	2.65	339	412	4.31	10	2.80	372	376	3.93	6.0	3.50	429			325	3.40	5.9	4.15			487	287	3.00			5.9	4.90	564	248		2.59	6.5				5.20	638	219	2.29	6.1	5.35			281	497	5.19					8.0	1.35	314	445	4.65			7.8	1.50	348	402	4.20	7.7	2.00	383	365	3.81	7.5	2.20	432	323	3.38	7.3	2.50	476	294	3.07	7.2	2.80	553	253	2.64	6.9	3.20	635	220	2.30	6.7	3.70	749	187	1.95	6.4	4.00	854	164	1.71	6.1	4.20	1014	138	1.44	5.9	4.60	323	432	4.52	6.3			1.35	GRX109 GRXF109	4P	361	387	4.04	6.2	1.50	401	348	3.64	6.1	1.65	442	316	3.30	6.0	1.85	500	279	2.92	5.8	2.10	553	253	2.64	5.7	2.30	652			214	2.24	5.4	2.70	745	188			1.96	5.3			3.00	890	157			1.64	5.0					3.20	1028	136	1.42	4.8	3.30	420					333	3.48	4.0	1.20	472			296	3.09	4.3	1.35	529	264	2.76	4.2	1.50	589	237	2.48	4.1	1.65	679	206	2.15	4.0	1.80	756	185	1.93	3.9	1.90	913	153	1.60	3.8	2.00	1050	133	1.39	3.6	2.10	323	432			4.52	6.3	1.35	GRX99 GRXF99	4P	361	387	4.04	6.2	1.50	401	348	3.64	6.1	1.65	442	316	3.30	6.0	1.85	500	279	2.92	5.8	2.10	553	253	2.64	5.7	2.30	652	214	2.24				5.4	2.70		745	188			1.96	5.3	3.00	890	157							1.64	5.0	3.20	1028	136			1.42	4.8			3.30	420	333	3.48	4.0	1.20	472			296	3.09	4.3	1.35	529	264	2.76	4.2	1.50	589	237	2.48	4.1	1.65	679	206	2.15	4.0	1.80	756	185	1.93	3.9	1.90	913	153	1.60	3.8	2.00	1050	133	1.39	3.6	2.10			323	432	4.52	6.3	1.35	GRX89 GRXF89	4P	361	387	4.04	6.2	1.50	401	348	3.64	6.1	1.65	442	316	3.30	6.0	1.85	500	279	2.92	5.8	2.10	553	253	2.64	5.7			2.30	652	214	2.24	5.4	2.70					745			188	1.96	5.3	3.00	890	157					1.64			5.0	3.20	1028	136			1.42	4.8	3.30	420	333			3.48	4.0	1.20	472	296	3.09	4.3	1.35	529	264	2.76	4.2	1.50	589	237	2.48	4.1	1.65	679	206	2.15	4.0	1.80	756	185	1.93	3.9	1.90	913	153	1.60	3.8	2.00	1050	133	1.39	3.6	2.10																																
13	10114	72.09	63	1.20	14	9398			66.99	64	1.30			8.9	15222	163.31	34	0.80	GR149 GRF149	4P	135	1009	10.83	13	1.95			9.9	13694	146.91	54	0.90	12	11172			119.86	62	1.10	13	10189	109.31	63	1.20	15	8818	94.60	65	1.40	17	7780	83.47	66	1.60	21			6720	72.09	68	1.85	22			6244	66.99	68	2.00	24			5694	61.09	68	2.20	28	4928	52.87			69	2.50	31	4348	46.65	69	2.80			36	3755	40.29	69	3.30			41	3322	35.64			69	3.70	14			9619	103.20	29			0.80	GR149 GRF149	4P	157	866	9.29			13	2.20	16	8268	88.70					48	0.90	18	7542	80.91	51	1.00	20	6850	73.49	52	1.10	22	6077	65.20	54	1.25	25	5515	59.17	54			1.40	29	4741	50.86	55	1.60	33			4138	44.39	56	1.85	39			3509	37.65	57	2.20	44			3068	32.91	57	2.50	52			2594	27.83	57			2.80			61			2248	24.12	57	3.20	GR139 GRF139	4P	174	782	8.39	13	2.50			66	2051	22.00	57	3.50			77	1775	19.04	57	4.00	31	4440	47.63	23	0.90	GR139 GRF139	4P	205	664	7.12			12	2.90	36					3763	40.37	23	1.10			41	3287	35.26			22	1.25	50	2749	29.49			21	1.50	47	2868	30.77			22	1.40					53	2571					27.58	21	1.60			59		2321	24.90	21	1.75		65	2108	22.62	20	1.95			73	1871	20.07	20	2.20	80	1697			18.21	19	2.40	93	1459			15.65	19	2.80		107	1273		13.66	18	3.20	281	485	5.20	17			3.70	GR139 GRF139	4P	235	579	6.21	12	3.10			85			1599	17.15	11	0.85	95	1437	15.42	11	0.90	109	1247	13.38	11	1.00	122	1117	11.98	11	1.05	147	927	9.94	10	1.20	160			853	9.15	10	1.35	177					767	8.23	10	1.45			204	666	7.14	10	1.55	228	596	6.39	10	1.65	275	495	5.31	9.1	1.75				224	624		6.52	16			1.80	GRX139 GRXF139	4P			281	497	5.19	8.0	1.35					249	562	5.87	12	2.35	277	505	5.28	12	2.65	339	412	4.31	10	2.80	372	376	3.93	6.0	3.50	429	325	3.40	5.9	4.15	487			287	3.00	5.9	4.90			564	248	2.59			6.5	5.20	638	219		2.29	6.1	5.35	281		497	5.19	8.0	1.35	314	445			4.65	7.8	1.50					348	402	4.20	7.7	2.00			383	365	3.81	7.5	2.20	432	323	3.38	7.3	2.50	476	294	3.07	7.2	2.80	553	253	2.64	6.9	3.20	635	220	2.30	6.7	3.70	749	187	1.95	6.4	4.00	854	164	1.71	6.1	4.20	1014	138	1.44	5.9	4.60	323	432	4.52	6.3	1.35	GRX109 GRXF109	4P	361	387	4.04	6.2			1.50			401	348	3.64	6.1	1.65	442	316	3.30	6.0	1.85	500	279	2.92	5.8	2.10	553	253	2.64	5.7	2.30	652	214	2.24	5.4	2.70	745			188	1.96	5.3	3.00	890	157			1.64	5.0	3.20	1028	136	1.42	4.8			3.30	420					333	3.48	4.0	1.20	472	296	3.09					4.3	1.35	529	264	2.76			4.2	1.50	589	237	2.48	4.1	1.65	679	206	2.15	4.0	1.80	756	185	1.93	3.9	1.90	913	153	1.60	3.8	2.00	1050	133	1.39	3.6	2.10	323	432	4.52	6.3	1.35	GRX99 GRXF99	4P	361	387			4.04	6.2	1.50			401	348	3.64	6.1	1.65	442	316	3.30	6.0	1.85	500	279	2.92	5.8	2.10	553	253	2.64	5.7	2.30	652	214	2.24	5.4	2.70	745	188	1.96			5.3	3.00	890	157	1.64	5.0			3.20	1028	136	1.42	4.8							3.30	420	333	3.48	4.0			1.20	472			296	3.09	4.3	1.35	529	264	2.76			4.2	1.50	589	237	2.48	4.1	1.65	679	206	2.15	4.0	1.80	756	185	1.93	3.9	1.90	913	153	1.60	3.8	2.00	1050	133	1.39	3.6	2.10	323	432	4.52	6.3	1.35	GRX89 GRXF89	4P			361	387	4.04	6.2	1.50			401	348	3.64	6.1	1.65	442	316	3.30	6.0	1.85	500	279	2.92	5.8	2.10	553	253	2.64	5.7	2.30	652	214	2.24	5.4	2.70	745	188	1.96	5.3	3.00	890	157					1.64			5.0	3.20	1028	136	1.42	4.8					3.30			420	333	3.48	4.0			1.20	472	296	3.09	4.3			1.35	529	264	2.76	4.2	1.50	589	237	2.48	4.1	1.65	679	206	2.15	4.0	1.80	756	185	1.93	3.9	1.90	913	153	1.60	3.8	2.00	1050	133	1.39	3.6	2.10																																							
14	9398	66.99	64	1.30	8.9	15222			163.31	34	0.80	GR149 GRF149	4P	135	1009	10.83	13	1.95			9.9	13694	146.91	54	0.90			12	11172	119.86	62	1.10	13	10189			109.31	63	1.20	15	8818	94.60	65	1.40	17	7780	83.47	66	1.60	21	6720	72.09	68	1.85	22			6244	66.99	68	2.00	24			5694	61.09	68	2.20	28			4928	52.87	69	2.50	31	4348	46.65			69	2.80	36	3755	40.29	69	3.30			41	3322	35.64	69	3.70			14	9619	103.20			29	0.80	GR149 GRF149			4P	157	866			9.29			13	2.20	16			8268	88.70	48	0.90	18	7542	80.91			51	1.00	20	6850	73.49	52	1.10	22	6077	65.20	54	1.25	25	5515	59.17	54	1.40	29	4741	50.86	55			1.60	33	4138	44.39	56	1.85	39			3509	37.65	57	2.20	44			3068	32.91	57	2.50	52			2594	27.83	57	2.80	61			2248	24.12	57			3.20			GR139 GRF139	4P	174	782	8.39	13	2.50			66	2051	22.00	57	3.50			77	1775	19.04	57	4.00			31	4440	47.63	23	0.90	GR139 GRF139	4P	205	664	7.12			12	2.90	36			3763	40.37	23					1.10	41	3287	35.26			22	1.25	50			2749	29.49	21	1.50	47			2868	30.77	22	1.40	53			2571	27.58				21	1.60	59	2321				24.90	21	1.75			65		2108	22.62	20	1.95		73	1871	20.07	20	2.20			80	1697	18.21	19	2.40	93	1459			15.65	19	2.80	107	1273	13.66	18	3.20	281	485		5.20	17		3.70	GR139 GRF139	4P	235	579	6.21	12			3.10			85	1599	17.15	11	0.85			95			1437	15.42	11	0.90	109	1247	13.38	11	1.00	122	1117	11.98	11	1.05	147	927	9.94	10	1.20	160	853	9.15	10	1.35	177			767	8.23	10	1.45	204					666	7.14	10	1.55			228	596	6.39	10	1.65	275	495	5.31	9.1	1.75	224	624	6.52	16	1.80		GRX139 GRXF139	4P	281	497		5.19	8.0			1.35					249	562	5.87	12	2.35					277	505	5.28	12	2.65	339	412	4.31	10	2.80	372	376	3.93	6.0	3.50	429	325	3.40	5.9	4.15	487	287	3.00	5.9	4.90	564			248	2.59	6.5	5.20			638	219	2.29			6.1	5.35	281	497		5.19	8.0	1.35	314		445	4.65	7.8	1.50	348	402	4.20	7.7	2.00	383	365					3.81	7.5	2.20	432	323			3.38	7.3	2.50	476	294	3.07	7.2	2.80	553	253	2.64	6.9	3.20	635	220	2.30	6.7	3.70	749	187	1.95	6.4	4.00	854	164	1.71	6.1	4.20	1014	138	1.44	5.9	4.60	323	432	4.52	6.3	1.35	GRX109 GRXF109	4P	361	387	4.04	6.2	1.50			401	348	3.64	6.1			1.65			442	316	3.30	6.0	1.85	500	279	2.92	5.8	2.10	553	253	2.64	5.7	2.30	652	214	2.24	5.4	2.70	745	188	1.96	5.3	3.00	890			157	1.64	5.0	3.20	1028	136			1.42	4.8	3.30	420	333	3.48	4.0			1.20	472			296	3.09	4.3	1.35	529	264	2.76	4.2	1.50					589	237	2.48	4.1	1.65			679	206	2.15	4.0	1.80	756	185	1.93	3.9	1.90	913	153	1.60	3.8	2.00	1050	133	1.39	3.6	2.10	323	432	4.52	6.3	1.35	GRX99 GRXF99	4P	361	387	4.04	6.2	1.50			401	348			3.64	6.1	1.65			442	316	3.30	6.0	1.85	500	279	2.92	5.8	2.10	553	253	2.64	5.7	2.30	652	214	2.24	5.4	2.70	745	188	1.96	5.3	3.00	890	157	1.64			5.0	3.20	1028	136	1.42	4.8			3.30	420	333	3.48	4.0	1.20	472					296	3.09	4.3	1.35	529			264	2.76			4.2	1.50	589	237	2.48	4.1	1.65			679	206	2.15	4.0	1.80	756	185	1.93	3.9	1.90	913	153	1.60	3.8	2.00	1050	133	1.39	3.6	2.10	323	432	4.52	6.3	1.35	GRX89 GRXF89	4P	361	387	4.04	6.2	1.50					401	348	3.64	6.1	1.65			442	316	3.30	6.0	1.85	500	279	2.92	5.8	2.10	553	253	2.64	5.7	2.30	652	214	2.24	5.4	2.70	745	188	1.96	5.3	3.00	890	157	1.64	5.0	3.20	1028	136					1.42	4.8	3.30	420	333	3.48	4.0	1.20	472					296			3.09	4.3	1.35	529			264	2.76	4.2	1.50	589			237	2.48	4.1	1.65	679	206	2.15	4.0	1.80	756	185	1.93	3.9	1.90	913	153	1.60	3.8	2.00	1050	133	1.39	3.6	2.10																																														
8.9	15222	163.31	34	0.80	GR149 GRF149	4P	135	1009	10.83	13	1.95																																																																																																																																																																																																																																																																																																																																																																																																																																																																																																																																																																																																																																																																																																																																																																																																																																																																																																																													
9.9	13694	146.91	54	0.90			12	11172	119.86	62	1.10			13	10189	109.31	63	1.20			15	8818	94.60	65	1.40			17	7780	83.47	66	1.60	21	6720			72.09	68	1.85	22	6244	66.99	68	2.00	24	5694	61.09	68	2.20	28	4928	52.87	69	2.50	31			4348	46.65	69	2.80	36			3755	40.29	69	3.30	41			3322	35.64	69	3.70	14	9619	103.20			29	0.80	GR149 GRF149	4P	157	866	9.29			13	2.20	16	8268	88.70			48	0.90	18			7542	80.91					51	1.00	20	6850	73.49			52	1.10	22			6077	65.20	54	1.25	25	5515	59.17			54	1.40	29	4741	50.86	55	1.60	33	4138	44.39	56	1.85	39	3509	37.65	57	2.20	44	3068	32.91	57			2.50	52	2594	27.83	57	2.80	61			2248	24.12	57	3.20	GR139 GRF139			4P	174	782	8.39	13			2.50	66	2051	22.00	57			3.50	77	1775	19.04	57	4.00	31	4440			47.63	23	0.90	GR139 GRF139	4P			205	664	7.12	12	2.90			36	3763	40.37	23	1.10			41	3287	35.26	22	1.25			50	2749	29.49			21	1.50	47			2868	30.77	22					1.40	53	2571	27.58			21	1.60	59			2321	24.90	21	1.75	65			2108	22.62	20	1.95	73			1871	20.07		20	2.20	80	1697	18.21	19	2.40	93		1459	15.65	19			2.80		107	1273	13.66	18		3.20	281	485	5.20	17			3.70	GR139 GRF139	4P	235	579	6.21	12			3.10	85	1599	17.15	11	0.85	95	1437	15.42	11	0.90	109	1247	13.38	11			1.00	122	1117	11.98	11	1.05	147			927	9.94	10	1.20	160			853			9.15	10	1.35	177	767	8.23	10	1.45	204	666	7.14	10	1.55	228	596	6.39	10	1.65	275	495	5.31	9.1	1.75	224	624			6.52	16	1.80	GRX139 GRXF139	4P					281	497	5.19	8.0			1.35	249	562	5.87	12	2.35	277	505	5.28	12	2.65	339	412	4.31	10				2.80	372		376	3.93	6.0	3.50	429			325	3.40	5.9	4.15	487	287	3.00					5.9	4.90	564	248	2.59	6.5	5.20	638	219	2.29	6.1	5.35	281	497	5.19	8.0	1.35	314	445	4.65	7.8	1.50	348	402	4.20	7.7			2.00	383	365	3.81			7.5	2.20	432			323	3.38	7.3	2.50		476	294	3.07	7.2		2.80	553	253	2.64	6.9	3.20	635	220	2.30	6.7	3.70			749	187	1.95	6.4	4.00	854	164	1.71	6.1	4.20	1014	138	1.44	5.9	4.60	323	432	4.52	6.3	1.35	GRX109 GRXF109	4P	361	387	4.04	6.2	1.50	401	348	3.64	6.1	1.65	442	316	3.30	6.0	1.85	500	279	2.92	5.8	2.10	553	253	2.64	5.7	2.30			652	214	2.24	5.4	2.70			745	188	1.96	5.3			3.00			890	157	1.64	5.0	3.20	1028	136	1.42	4.8	3.30	420	333	3.48	4.0	1.20	472	296	3.09	4.3	1.35	529	264	2.76	4.2	1.50	589			237	2.48	4.1	1.65	679	206			2.15	4.0	1.80	756	185	1.93	3.9			1.90	913			153	1.60	3.8	2.00	1050	133	1.39	3.6	2.10	323	432			4.52	6.3	1.35	GRX99 GRXF99	4P	361	387	4.04	6.2	1.50	401	348	3.64	6.1	1.65	442	316	3.30	6.0	1.85	500	279	2.92	5.8	2.10	553	253	2.64	5.7	2.30	652	214			2.24	5.4	2.70	745	188			1.96	5.3			3.00	890	157			1.64	5.0	3.20	1028	136	1.42	4.8	3.30	420	333	3.48	4.0	1.20	472	296	3.09	4.3	1.35	529	264	2.76	4.2	1.50	589	237	2.48	4.1	1.65			679	206	2.15	4.0	1.80	756			185	1.93	3.9	1.90	913	153	1.60					3.8	2.00	1050	133	1.39	3.6	2.10	323	432			4.52	6.3	1.35	GRX89 GRXF89	4P	361	387	4.04	6.2	1.50	401	348	3.64	6.1	1.65	442	316	3.30	6.0	1.85	500	279	2.92	5.8	2.10	553	253	2.64	5.7	2.30	652	214	2.24	5.4			2.70	745	188	1.96	5.3					3.00	890	157	1.64	5.0			3.20	1028	136	1.42	4.8	3.30	420	333	3.48	4.0	1.20	472	296	3.09	4.3	1.35	529	264	2.76	4.2	1.50	589	237	2.48	4.1	1.65	679	206	2.15	4.0	1.80	756					185	1.93	3.9	1.90	913	153	1.60	3.8	2.00					1050	133	1.39	3.6	2.10																																																																																	
12	11172	119.86	62	1.10			13	10189	109.31	63	1.20			15	8818	94.60	65	1.40			17	7780	83.47	66	1.60			21	6720	72.09	68	1.85	22	6244			66.99	68	2.00	24	5694	61.09	68	2.20	28	4928	52.87	69	2.50	31	4348	46.65	69	2.80	36			3755	40.29	69	3.30	41			3322	35.64	69	3.70	14			9619	103.20	29	0.80	GR149 GRF149	4P	157			866	9.29			13	2.20	16			8268	88.70	48	0.90	18			7542	80.91	51			1.00	20		6850	73.49		52	1.10	22	6077	65.20			54	1.25	25			5515	59.17	54	1.40	29	4741	50.86			55	1.60	33	4138	44.39	56	1.85	39	3509	37.65	57	2.20	44	3068	32.91	57	2.50	52	2594	27.83	57			2.80	61	2248	24.12	57	3.20	GR139 GRF139			4P	174	782	8.39					13	2.50	66	2051			22.00	57	3.50	77	1775	19.04	57	4.00	31	4440	47.63	23	0.90	GR139 GRF139	4P			205	664	7.12					12	2.90	36	3763	40.37			23	1.10	41	3287	35.26			22	1.25	50	2749	29.49			21	1.50	47			2868	30.77	22			1.40	53	2571					27.58	21	1.60	59			2321	24.90	21			1.75	65	2108	22.62	20			1.95	73	1871	20.07	20	2.20	80	1697	18.21		19	2.40	93	1459	15.65	19	2.80	107		1273	13.66	18			3.20		281	485	5.20	17		3.70	GR139 GRF139	4P	235	579			6.21			12	3.10	85	1599	17.15	11	0.85	95	1437	15.42	11	0.90	109	1247	13.38	11	1.00	122	1117	11.98	11			1.05	147	927	9.94	10	1.20	160			853	9.15	10	1.35	177			767			8.23	10	1.45	204	666	7.14	10	1.55	228	596	6.39	10	1.65	275	495	5.31	9.1	1.75	224	624	6.52	16	1.80	GRX139 GRXF139	4P			281	497	5.19							8.0	1.35	249	562			5.87	12	2.35	277	505	5.28	12	2.65	339	412	4.31	10	2.80	372	376	3.93			6.0	3.50	429	325	3.40	5.9	4.15	487			287	3.00	5.9	4.90	564	248	2.59					6.5	5.20	638	219	2.29	6.1	5.35	281	497	5.19	8.0	1.35	314	445	4.65	7.8	1.50	348	402	4.20	7.7	2.00	383	365	3.81	7.5			2.20	432	323	3.38			7.3	2.50	476			294	3.07	7.2	2.80		553	253	2.64	6.9		3.20	635	220	2.30	6.7	3.70	749	187	1.95	6.4	4.00	854	164	1.71	6.1	4.20	1014	138	1.44	5.9	4.60	323	432	4.52	6.3	1.35	GRX109 GRXF109	4P	361	387	4.04	6.2	1.50			401	348	3.64	6.1	1.65	442	316	3.30	6.0	1.85	500	279	2.92	5.8	2.10	553	253	2.64	5.7	2.30	652	214	2.24	5.4	2.70			745	188	1.96	5.3	3.00			890	157	1.64	5.0			3.20			1028	136	1.42	4.8	3.30	420	333	3.48	4.0	1.20	472	296	3.09	4.3	1.35	529	264	2.76	4.2	1.50	589	237	2.48	4.1	1.65	679			206	2.15	4.0	1.80	756	185			1.93	3.9	1.90	913	153	1.60	3.8			2.00	1050			133	1.39	3.6	2.10	323	432	4.52	6.3	1.35	GRX99 GRXF99	4P	361	387	4.04	6.2	1.50			401	348	3.64	6.1	1.65	442	316	3.30	6.0	1.85	500	279	2.92	5.8	2.10	553	253	2.64	5.7	2.30	652	214	2.24	5.4	2.70	745	188			1.96	5.3	3.00	890	157			1.64	5.0			3.20	1028	136			1.42	4.8	3.30	420	333	3.48	4.0	1.20	472	296	3.09	4.3	1.35	529	264	2.76	4.2	1.50	589	237	2.48	4.1	1.65	679	206	2.15	4.0	1.80			756	185	1.93	3.9	1.90	913			153	1.60	3.8	2.00	1050	133	1.39					3.6	2.10	323	432	4.52	6.3	1.35	GRX89 GRXF89	4P	361	387	4.04	6.2	1.50			401	348	3.64	6.1	1.65	442	316	3.30	6.0	1.85	500	279	2.92	5.8	2.10	553	253	2.64	5.7	2.30	652	214	2.24	5.4	2.70	745	188	1.96	5.3			3.00	890	157	1.64	5.0					3.20	1028	136	1.42	4.8			3.30	420	333	3.48	4.0	1.20	472	296	3.09	4.3	1.35	529	264	2.76	4.2	1.50	589	237	2.48	4.1	1.65	679	206	2.15	4.0	1.80	756	185	1.93	3.9	1.90	913					153	1.60	3.8	2.00	1050	133	1.39	3.6	2.10																																																																																										
13	10189	109.31	63	1.20			15	8818	94.60	65	1.40			17	7780	83.47	66	1.60			21	6720	72.09	68	1.85			22	6244	66.99	68	2.00	24	5694			61.09	68	2.20	28	4928	52.87	69	2.50	31	4348	46.65	69	2.80	36	3755	40.29	69	3.30	41			3322	35.64	69	3.70	14			9619	103.20	29	0.80	GR149 GRF149			4P	157	866	9.29			13			2.20	16			8268	88.70	48			0.90	18	7542	80.91	51			1.00	20	6850	73.49	52	1.10	22		6077	65.20		54	1.25	25	5515	59.17			54	1.40	29			4741	50.86	55	1.60	33	4138	44.39			56	1.85	39	3509	37.65	57	2.20	44	3068	32.91	57	2.50	52	2594	27.83	57	2.80	61	2248	24.12	57			3.20	GR139 GRF139	4P	174	782	8.39					13	2.50	66					2051	22.00	57	3.50	77	1775	19.04	57	4.00	31	4440	47.63	23	0.90	GR139 GRF139	4P	205	664	7.12					12	2.90	36					3763	40.37	23	1.10	41			3287	35.26	22	1.25	50			2749	29.49	21	1.50	47			2868	30.77	22			1.40	53	2571			27.58	21	1.60					59	2321	24.90	21			1.75	65	2108			22.62	20	1.95	73	1871	20.07	20	2.20	80	1697	18.21	19	2.40	93	1459	15.65		19	2.80	107	1273	13.66	18	3.20	281		485	5.20	17			3.70		GR139 GRF139	4P	235	579		6.21			12	3.10	85	1599	17.15			11	0.85	95	1437	15.42	11	0.90	109	1247	13.38	11	1.00	122	1117	11.98	11	1.05	147	927	9.94	10			1.20	160	853	9.15	10	1.35	177			767	8.23	10	1.45	204			666			7.14	10	1.55	228	596	6.39	10	1.65	275	495	5.31	9.1	1.75	224	624	6.52	16	1.80	GRX139 GRXF139	4P	281	497	5.19					8.0	1.35	249							562	5.87	12	2.35	277	505	5.28	12	2.65	339	412	4.31	10	2.80	372	376	3.93	6.0	3.50	429	325	3.40			5.9	4.15	487	287	3.00	5.9	4.90	564			248	2.59	6.5	5.20	638	219	2.29					6.1	5.35	281	497	5.19	8.0	1.35	314	445	4.65	7.8	1.50	348	402	4.20	7.7	2.00	383	365	3.81	7.5	2.20	432	323	3.38	7.3			2.50	476	294	3.07			7.2	2.80	553			253	2.64	6.9	3.20	635	220	2.30	6.7	3.70	749	187	1.95	6.4	4.00	854	164	1.71	6.1	4.20	1014	138	1.44	5.9	4.60	323	432	4.52	6.3	1.35	GRX109 GRXF109	4P	361	387	4.04	6.2	1.50			401	348	3.64	6.1	1.65			442	316	3.30	6.0	1.85	500	279	2.92	5.8	2.10	553	253	2.64	5.7	2.30	652	214	2.24	5.4	2.70	745	188	1.96	5.3	3.00			890	157	1.64	5.0	3.20			1028	136	1.42	4.8			3.30			420	333	3.48	4.0	1.20	472	296	3.09	4.3	1.35	529	264	2.76	4.2	1.50	589	237	2.48	4.1	1.65	679	206	2.15	4.0	1.80	756			185	1.93	3.9	1.90	913	153			1.60	3.8	2.00	1050	133	1.39	3.6			2.10	323	432	4.52	6.3	1.35	GRX99 GRXF99	4P	361	387	4.04	6.2	1.50			401	348	3.64	6.1	1.65			442	316	3.30	6.0	1.85	500	279	2.92	5.8	2.10	553	253	2.64	5.7	2.30	652	214	2.24	5.4	2.70	745	188	1.96	5.3	3.00	890	157			1.64	5.0	3.20	1028	136			1.42	4.8			3.30	420	333			3.48	4.0	1.20	472	296	3.09	4.3	1.35	529	264	2.76	4.2	1.50	589	237	2.48	4.1	1.65	679	206	2.15	4.0	1.80	756	185	1.93	3.9	1.90			913	153	1.60	3.8	2.00	1050			133	1.39	3.6	2.10	323	432	4.52			6.3	1.35	GRX89 GRXF89	4P	361	387	4.04	6.2	1.50			401	348	3.64	6.1	1.65			442	316	3.30	6.0	1.85	500	279	2.92	5.8	2.10	553	253	2.64	5.7	2.30	652	214	2.24	5.4	2.70	745	188	1.96	5.3	3.00	890	157	1.64	5.0			3.20	1028	136	1.42	4.8					3.30	420	333	3.48	4.0			1.20	472	296	3.09	4.3	1.35	529	264	2.76	4.2	1.50	589	237	2.48	4.1	1.65	679	206	2.15	4.0	1.80	756	185	1.93	3.9	1.90	913	153	1.60	3.8	2.00	1050					133	1.39	3.6	2.10																																																																																															
15	8818	94.60	65	1.40			17	7780	83.47	66	1.60			21	6720	72.09	68	1.85			22	6244	66.99	68	2.00			24	5694	61.09	68	2.20	28	4928			52.87	69	2.50	31	4348	46.65	69	2.80	36	3755	40.29	69	3.30	41	3322	35.64	69	3.70	14			9619	103.20	29	0.80	GR149 GRF149			4P	157	866	9.29					13	2.20	16			8268			88.70	48			0.90	18	7542			80.91	51	1.00	20	6850	73.49	52	1.10	22	6077	65.20	54	1.25	25		5515	59.17		54	1.40	29	4741	50.86			55	1.60	33			4138	44.39	56	1.85	39	3509	37.65			57	2.20	44	3068	32.91	57	2.50	52	2594	27.83	57	2.80	61	2248	24.12	57	3.20	GR139 GRF139	4P	174	782			8.39			13	2.50	66					2051	22.00	57		3.50	77		1775	19.04	57	4.00	31	4440	47.63	23	0.90	GR139 GRF139	4P	205	664	7.12			12	2.90	36					3763	40.37	23					1.10	41	3287	35.26	22			1.25	50	2749	29.49	21			1.50	47	2868	30.77	22			1.40	53	2571			27.58	21	1.60			59	2321	24.90					21	1.75	65	2108			22.62	20	1.95	73	1871	20.07	20	2.20	80	1697	18.21	19	2.40	93	1459	15.65	19	2.80	107	1273	13.66		18	3.20	281	485	5.20	17	3.70	GR139 GRF139		4P	235	579			6.21	12			3.10	85	1599	17.15			11	0.85	95	1437	15.42			11	0.90	109	1247	13.38	11	1.00	122	1117	11.98	11	1.05	147	927	9.94	10	1.20	160	853	9.15	10			1.35	177	767	8.23	10	1.45	204			666	7.14	10	1.55	228			596			6.39	10	1.65	275	495	5.31	9.1	1.75	224	624	6.52	16	1.80	GRX139 GRXF139	4P	281	497	5.19			8.0	1.35	249					562	5.87	12				2.35	277		505	5.28	12	2.65	339	412	4.31	10	2.80	372	376	3.93	6.0	3.50	429	325	3.40	5.9	4.15	487	287	3.00			5.9	4.90	564	248	2.59	6.5	5.20	638			219	2.29	6.1	5.35	281	497	5.19					8.0	1.35	314	445	4.65	7.8	1.50	348	402	4.20	7.7	2.00	383	365	3.81	7.5	2.20	432	323	3.38	7.3	2.50	476	294	3.07	7.2			2.80	553	253	2.64	6.9	3.20	635	220	2.30			6.7	3.70	749	187	1.95	6.4	4.00	854	164	1.71	6.1	4.20	1014	138	1.44	5.9	4.60	323	432	4.52	6.3	1.35	GRX109 GRXF109	4P	361	387	4.04	6.2	1.50			401	348	3.64	6.1	1.65			442	316	3.30	6.0	1.85			500	279	2.92	5.8	2.10	553	253	2.64	5.7	2.30	652	214	2.24	5.4	2.70	745	188	1.96	5.3	3.00	890	157	1.64	5.0	3.20			1028	136	1.42	4.8	3.30			420	333	3.48	4.0			1.20			472	296	3.09	4.3	1.35	529	264	2.76	4.2	1.50	589	237	2.48	4.1	1.65	679	206	2.15	4.0	1.80	756	185	1.93	3.9	1.90	913			153	1.60	3.8	2.00	1050	133	1.39	3.6	2.10	323	432	4.52	6.3	1.35	GRX99 GRXF99			4P	361	387	4.04	6.2	1.50			401	348	3.64	6.1	1.65			442	316	3.30	6.0	1.85			500	279	2.92	5.8	2.10	553	253	2.64	5.7	2.30	652	214	2.24	5.4	2.70	745	188	1.96	5.3	3.00	890	157	1.64	5.0	3.20	1028	136			1.42	4.8	3.30	420	333			3.48	4.0			1.20	472	296			3.09	4.3	1.35	529	264	2.76	4.2	1.50	589	237	2.48	4.1	1.65	679	206	2.15	4.0	1.80	756	185	1.93	3.9	1.90	913	153	1.60	3.8	2.00			1050	133	1.39	3.6	2.10	323	432	4.52	6.3	1.35	GRX89 GRXF89	4P	361	387	4.04			6.2	1.50			401	348	3.64	6.1	1.65			442	316	3.30	6.0	1.85			500	279	2.92	5.8	2.10	553	253	2.64	5.7	2.30	652	214	2.24	5.4	2.70	745	188	1.96	5.3	3.00	890	157	1.64	5.0	3.20	1028	136	1.42	4.8			3.30	420	333	3.48	4.0					1.20	472	296	3.09	4.3			1.35	529	264	2.76	4.2	1.50	589	237	2.48	4.1	1.65	679	206	2.15	4.0	1.80	756	185	1.93	3.9	1.90	913	153	1.60	3.8	2.00	1050	133	1.39	3.6	2.10																																																																																																								
17	7780	83.47	66	1.60			21	6720	72.09	68	1.85			22	6244	66.99	68	2.00			24	5694	61.09	68	2.20			28	4928	52.87	69	2.50	31	4348			46.65	69	2.80	36	3755	40.29	69	3.30	41	3322	35.64	69	3.70	14	9619	103.20	29	0.80	GR149 GRF149			4P	157	866	9.29					13	2.20	16					8268	88.70	48			0.90			18	7542			80.91	51	1.00	20	6850	73.49	52	1.10	22	6077	65.20	54	1.25	25	5515	59.17	54	1.40	29		4741	50.86		55	1.60	33	4138	44.39			56	1.85	39			3509	37.65	57	2.20	44	3068	32.91			57	2.50	52	2594	27.83	57	2.80	61	2248	24.12	57	3.20	GR139 GRF139	4P	174	782	8.39			13	2.50			66			2051	22.00	57		3.50	77		1775	19.04	57		4.00	31		4440	47.63	23	0.90	GR139 GRF139	4P	205	664	7.12			12	2.90	36			3763	40.37	23					1.10	41	3287					35.26	22	1.25	50	2749			29.49	21	1.50	47	2868			30.77	22	1.40	53	2571			27.58	21	1.60			59	2321	24.90			21	1.75	65					2108	22.62	20	1.95	73	1871	20.07	20	2.20	80	1697	18.21	19	2.40	93	1459	15.65	19	2.80	107	1273	13.66	18	3.20	281	485	5.20		17	3.70	GR139 GRF139	4P	235	579	6.21				12	3.10	85	1599	17.15	11			0.85	95	1437	15.42			11	0.90	109	1247	13.38			11	1.00	122	1117	11.98	11	1.05	147	927	9.94	10	1.20	160	853	9.15	10	1.35	177	767	8.23	10			1.45	204	666	7.14	10	1.55	228			596	6.39	10	1.65	275			495			5.31	9.1	1.75	224	624	6.52	16	1.80	GRX139 GRXF139	4P	281	497	5.19			8.0	1.35	249			562	5.87	12					2.35	277	505			5.28	12	2.65	339	412	4.31	10	2.80	372	376	3.93	6.0	3.50	429	325	3.40	5.9	4.15	487	287	3.00	5.9	4.90	564	248	2.59			6.5	5.20	638	219	2.29	6.1	5.35	281			497	5.19	8.0	1.35	314	445	4.65					7.8	1.50	348	402	4.20	7.7	2.00	383	365	3.81	7.5	2.20	432	323	3.38	7.3	2.50	476	294	3.07	7.2	2.80	553	253	2.64	6.9			3.20	635	220	2.30	6.7	3.70	749	187	1.95	6.4	4.00	854	164	1.71	6.1	4.20	1014	138	1.44	5.9	4.60	323	432	4.52	6.3	1.35	GRX109 GRXF109	4P	361	387	4.04	6.2	1.50			401	348	3.64	6.1	1.65			442	316	3.30	6.0	1.85			500	279	2.92	5.8	2.10			553	253	2.64	5.7	2.30	652	214	2.24	5.4	2.70	745	188	1.96	5.3	3.00	890	157	1.64	5.0	3.20	1028	136	1.42	4.8	3.30			420	333	3.48	4.0	1.20			472	296	3.09	4.3			1.35			529	264	2.76	4.2	1.50	589	237	2.48	4.1	1.65	679	206	2.15	4.0	1.80	756	185	1.93	3.9	1.90	913	153	1.60	3.8	2.00	1050			133	1.39	3.6	2.10	323	432	4.52	6.3	1.35	GRX99 GRXF99	4P	361	387	4.04		6.2	1.50		401	348	3.64	6.1	1.65			442	316	3.30	6.0	1.85			500	279	2.92	5.8	2.10			553	253	2.64	5.7	2.30	652	214	2.24	5.4	2.70	745	188	1.96	5.3	3.00	890	157	1.64	5.0	3.20	1028	136	1.42	4.8	3.30	420	333			3.48	4.0	1.20	472	296			3.09	4.3			1.35	529	264			2.76	4.2	1.50	589	237	2.48	4.1	1.65	679	206	2.15	4.0	1.80	756	185	1.93	3.9	1.90	913	153	1.60	3.8	2.00	1050	133	1.39	3.6	2.10			323	432	4.52	6.3	1.35	GRX89 GRXF89	4P	361	387	4.04			6.2	1.50	401	348	3.64	6.1	1.65			442	316	3.30	6.0	1.85			500	279	2.92	5.8	2.10			553	253	2.64	5.7	2.30	652	214	2.24	5.4	2.70	745	188	1.96	5.3	3.00	890	157	1.64	5.0	3.20	1028	136	1.42	4.8	3.30	420	333	3.48	4.0			1.20	472	296	3.09	4.3					1.35	529	264	2.76	4.2			1.50	589	237	2.48	4.1	1.65	679	206	2.15	4.0	1.80	756	185	1.93	3.9	1.90	913	153	1.60	3.8	2.00	1050	133	1.39	3.6	2.10																																																																																																													
21	6720	72.09	68	1.85			22	6244	66.99	68	2.00			24	5694	61.09	68	2.20			28	4928	52.87	69	2.50			31	4348	46.65	69	2.80	36	3755			40.29	69	3.30	41	3322	35.64	69	3.70	14	9619	103.20	29	0.80	GR149 GRF149	4P	157	866	9.29					13	2.20	16					8268	88.70	48					0.90	18	7542			80.91	51	1.00	20	6850			73.49	52	1.10	22	6077	65.20	54	1.25	25	5515	59.17	54	1.40	29	4741	50.86	55	1.60	33		4138	44.39		56	1.85	39	3509	37.65			57	2.20	44			3068	32.91	57	2.50	52	2594	27.83			57	2.80	61	2248	24.12	57	3.20	GR139 GRF139	4P	174	782	8.39			13	2.50	66			2051	22.00	57	3.50	77			1775	19.04	57		4.00	31		4440	47.63	23		0.90	GR139 GRF139		4P	205	664	7.12			12	2.90	36			3763	40.37	23			1.10	41	3287					35.26	22	1.25					50	2749	29.49	21	1.50			47	2868	30.77	22	1.40			53	2571	27.58	21	1.60			59	2321	24.90			21	1.75	65			2108	22.62	20		1.95	73		1871	20.07	20	2.20	80	1697	18.21	19	2.40	93	1459	15.65	19	2.80	107	1273	13.66	18	3.20	281	485	5.20	17	3.70	GR139 GRF139	4P	235	579	6.21	12			3.10	85	1599		17.15		11	0.85	95	1437	15.42	11			0.90	109	1247	13.38			11	1.00	122	1117	11.98			11	1.05	147	927	9.94	10	1.20	160	853	9.15	10	1.35	177	767	8.23	10	1.45	204	666	7.14	10			1.55	228	596	6.39	10	1.65	275			495	5.31	9.1	1.75	224			624			6.52	16	1.80	GRX139 GRXF139	4P	281	497	5.19			8.0	1.35	249			562	5.87	12			2.35	277	505			5.28	12	2.65	339	412			4.31	10	2.80	372	376	3.93	6.0	3.50	429	325	3.40	5.9	4.15	487	287	3.00	5.9	4.90	564	248	2.59	6.5	5.20	638	219	2.29			6.1	5.35	281	497	5.19	8.0	1.35	314			445	4.65	7.8	1.50	348	402	4.20					7.7	2.00	383	365	3.81	7.5	2.20	432	323	3.38	7.3	2.50	476	294	3.07	7.2	2.80	553	253	2.64	6.9	3.20	635	220	2.30	6.7	3.70	749	187	1.95	6.4	4.00	854	164	1.71	6.1	4.20	1014	138	1.44	5.9	4.60	323	432	4.52	6.3	1.35	GRX109 GRXF109	4P	361	387	4.04	6.2	1.50			401	348	3.64	6.1	1.65			442	316	3.30	6.0	1.85			500	279	2.92	5.8	2.10			553	253	2.64	5.7	2.30			652	214	2.24	5.4	2.70	745	188	1.96	5.3	3.00	890	157	1.64	5.0	3.20	1028	136	1.42	4.8	3.30	420	333	3.48	4.0	1.20			472	296	3.09	4.3	1.35			529	264	2.76	4.2			1.50			589	237	2.48	4.1	1.65	679	206	2.15	4.0	1.80	756	185	1.93	3.9	1.90	913	153	1.60	3.8	2.00	1050	133	1.39	3.6	2.10	323	432	4.52	6.3	1.35	GRX99 GRXF99	4P	361	387	4.04	6.2	1.50			401	348	3.64		6.1	1.65		442	316	3.30	6.0	1.85			500	279	2.92	5.8	2.10			553	253	2.64	5.7	2.30			652	214	2.24	5.4	2.70	745	188	1.96	5.3	3.00	890	157	1.64	5.0	3.20	1028	136	1.42	4.8	3.30	420	333	3.48	4.0	1.20	472	296			3.09	4.3	1.35	529	264			2.76	4.2			1.50	589	237			2.48	4.1	1.65	679	206	2.15	4.0	1.80	756	185	1.93	3.9	1.90	913	153	1.60	3.8	2.00	1050	133	1.39	3.6	2.10	323	432	4.52	6.3	1.35	GRX89 GRXF89	4P	361	387	4.04	6.2	1.50			401	348	3.64			6.1	1.65	442	316	3.30	6.0	1.85			500	279	2.92	5.8	2.10			553	253	2.64	5.7	2.30			652	214	2.24	5.4	2.70	745	188	1.96	5.3	3.00	890	157	1.64	5.0	3.20	1028	136	1.42	4.8	3.30	420	333	3.48	4.0	1.20	472	296	3.09	4.3			1.35	529	264	2.76	4.2					1.50	589	237	2.48	4.1			1.65	679	206	2.15	4.0	1.80	756	185	1.93	3.9	1.90	913	153	1.60	3.8	2.00	1050	133	1.39	3.6	2.10																																																																																																																		
22	6244	66.99	68	2.00			24	5694	61.09	68	2.20			28	4928	52.87	69	2.50			31	4348	46.65	69	2.80			36	3755	40.29	69	3.30	41	3322			35.64	69	3.70	14	9619	103.20	29	0.80	GR149 GRF149	4P	157	866	9.29			13	2.20	16					8268	88.70	48					0.90	18	7542		80.91	51		1.00	20	6850			73.49	52	1.10	22	6077			65.20	54	1.25	25	5515	59.17	54	1.40	29	4741	50.86	55	1.60	33	4138	44.39	56	1.85	39		3509	37.65		57	2.20	44	3068	32.91			57	2.50	52			2594	27.83	57	2.80	61	2248	24.12			57	3.20	GR139 GRF139	4P	174	782	8.39			13	2.50	66			2051	22.00	57			3.50	77	1775	19.04	57			4.00	31	4440		47.63	23		0.90	GR139 GRF139	4P		205				664	7.12	12			2.90	36	3763			40.37	23	1.10			41	3287	35.26					22	1.25	50					2749	29.49	21	1.50	47			2868	30.77	22	1.40	53			2571	27.58	21	1.60	59			2321	24.90	21			1.75	65	2108			22.62	20	1.95		73	1871		20.07	20	2.20	80	1697	18.21	19	2.40	93	1459	15.65	19	2.80	107	1273	13.66	18	3.20	281	485	5.20	17	3.70	GR139 GRF139			4P	235	579	6.21			12	3.10	85		1599		17.15	11	0.85	95	1437	15.42			11	0.90	109	1247			13.38	11	1.00	122	1117			11.98	11	1.05	147	927	9.94	10	1.20	160	853	9.15	10	1.35	177	767	8.23	10	1.45	204	666	7.14			10	1.55	228	596	6.39	10	1.65			275	495	5.31	9.1	1.75			224			624	6.52	16			1.80	GRX139 GRXF139	4P			281	497	5.19			8.0	1.35	249			562	5.87	12			2.35	277	505	5.28	12			2.65	339	412	4.31	10	2.80	372	376	3.93	6.0	3.50	429	325	3.40	5.9	4.15	487	287	3.00	5.9	4.90	564	248	2.59	6.5	5.20			638	219	2.29	6.1	5.35	281	497	5.19			8.0	1.35	314	445	4.65	7.8	1.50					348	402	4.20	7.7	2.00	383	365	3.81	7.5	2.20	432	323	3.38	7.3	2.50	476	294	3.07	7.2	2.80	553	253	2.64	6.9	3.20	635	220	2.30	6.7	3.70	749	187	1.95	6.4	4.00	854	164	1.71	6.1	4.20	1014	138	1.44	5.9	4.60	323	432			4.52	6.3	1.35	GRX109 GRXF109	4P			361	387	4.04	6.2	1.50			401	348	3.64	6.1	1.65			442	316	3.30	6.0	1.85			500	279	2.92	5.8	2.10			553	253	2.64	5.7	2.30	652	214	2.24	5.4	2.70	745	188	1.96	5.3	3.00	890	157	1.64	5.0	3.20	1028	136	1.42	4.8	3.30			420	333	3.48	4.0	1.20			472	296	3.09	4.3			1.35			529	264	2.76	4.2	1.50	589	237	2.48	4.1	1.65	679	206	2.15	4.0	1.80	756	185	1.93	3.9	1.90	913	153	1.60	3.8	2.00	1050	133	1.39	3.6	2.10			323	432	4.52	6.3	1.35			GRX99 GRXF99	4P	361		387	4.04		6.2	1.50	401	348	3.64			6.1	1.65	442	316	3.30			6.0	1.85	500	279	2.92			5.8	2.10	553	253	2.64	5.7	2.30	652	214	2.24	5.4	2.70	745	188	1.96	5.3	3.00	890	157	1.64	5.0	3.20	1028	136	1.42	4.8	3.30			420	333	3.48	4.0	1.20			472	296			3.09	4.3	1.35			529	264	2.76	4.2	1.50	589	237	2.48	4.1	1.65	679	206	2.15	4.0	1.80	756	185	1.93	3.9	1.90	913	153	1.60	3.8	2.00	1050	133	1.39			3.6	2.10	323	432	4.52			6.3	1.35	GRX89 GRXF89			4P	361	387	4.04	6.2	1.50	401			348	3.64	6.1	1.65	442			316	3.30	6.0	1.85	500			279	2.92	5.8	2.10	553	253	2.64	5.7	2.30	652	214	2.24	5.4	2.70	745	188	1.96	5.3	3.00	890	157	1.64	5.0	3.20	1028	136	1.42	4.8	3.30			420	333	3.48	4.0	1.20					472	296	3.09	4.3	1.35			529	264	2.76	4.2	1.50	589	237	2.48	4.1	1.65	679	206	2.15	4.0	1.80	756	185	1.93	3.9	1.90	913	153	1.60	3.8	2.00	1050	133	1.39	3.6	2.10																																																																																																									
24	5694	61.09	68	2.20			28	4928	52.87	69	2.50			31	4348	46.65	69	2.80			36	3755	40.29	69	3.30			41	3322	35.64	69	3.70	14	9619			103.20	29	0.80	GR149 GRF149	4P	157	866	9.29			13	2.20	16			8268	88.70	48					0.90	18	7542		80.91	51		1.00	20	6850		73.49	52		1.10	22	6077			65.20	54	1.25	25	5515			59.17	54	1.40	29	4741	50.86	55	1.60	33	4138	44.39	56	1.85	39	3509	37.65	57	2.20	44		3068	32.91		57	2.50	52	2594	27.83			57	2.80	61			2248	24.12	57	3.20	GR139 GRF139	4P	174	782	8.39	13	2.50			66	2051	22.00			57	3.50	77			1775	19.04	57			4.00	31	4440	47.63	23			0.90	GR139 GRF139	4P		205	664		7.12				12				2.90	36	3763			40.37	23	1.10			41	3287	35.26			22	1.25	50					2749	29.49	21					1.50	47	2868	30.77	22			1.40	53	2571	27.58	21	1.60	59	2321	24.90	21	1.75	65			2108	22.62	20			1.95	73	1871			20.07	20	2.20	80	1697	18.21	19	2.40	93	1459	15.65	19	2.80	107	1273	13.66	18	3.20	281	485	5.20	17	3.70	GR139 GRF139	4P	235	579	6.21	12	3.10					85	1599	17.15			11	0.85	95		1437		15.42	11	0.90	109	1247	13.38			11	1.00	122	1117			11.98	11	1.05	147	927			9.94	10	1.20	160	853	9.15	10	1.35	177	767	8.23	10	1.45	204	666	7.14	10	1.55	228	596	6.39			10	1.65	275	495	5.31	9.1	1.75			224	624	6.52	16	1.80			GRX139 GRXF139	4P	281	497	5.19	8.0			1.35					249	562	5.87			12	2.35	277			505	5.28	12			2.65	339	412	4.31	10			2.80	372	376	3.93	6.0	3.50	429	325	3.40	5.9	4.15	487	287	3.00	5.9	4.90	564	248	2.59	6.5	5.20	638	219	2.29	6.1	5.35			281	497	5.19	8.0	1.35	314	445	4.65			7.8	1.50	348	402	4.20	7.7	2.00		383	365		3.81	7.5	2.20	432	323	3.38	7.3	2.50	476	294	3.07	7.2	2.80	553	253	2.64	6.9	3.20	635	220	2.30	6.7	3.70	749	187	1.95	6.4	4.00	854	164	1.71	6.1	4.20	1014	138	1.44	5.9	4.60	323	432	4.52	6.3	1.35	GRX109 GRXF109	4P	361	387			4.04	6.2	1.50					401	348	3.64	6.1	1.65			442	316	3.30	6.0	1.85			500	279	2.92	5.8	2.10			553	253	2.64	5.7	2.30			652	214	2.24	5.4	2.70	745	188	1.96	5.3	3.00	890	157	1.64	5.0	3.20	1028	136	1.42	4.8	3.30	420	333	3.48	4.0	1.20			472	296	3.09	4.3	1.35			529	264	2.76	4.2	1.50	589	237			2.48	4.1	1.65	679	206	2.15	4.0	1.80	756	185	1.93	3.9	1.90	913	153	1.60	3.8	2.00	1050	133	1.39	3.6	2.10	323	432	4.52	6.3	1.35	GRX99 GRXF99	4P			361	387	4.04	6.2	1.50					401		348	3.64		6.1	1.65	442	316	3.30			6.0	1.85	500	279	2.92			5.8	2.10	553	253	2.64			5.7	2.30	652	214	2.24	5.4	2.70	745	188	1.96	5.3	3.00	890	157	1.64	5.0	3.20	1028	136	1.42	4.8	3.30	420	333	3.48	4.0	1.20			472	296	3.09	4.3	1.35			529	264	2.76	4.2	1.50	589	237			2.48	4.1	1.65	679	206	2.15	4.0	1.80	756	185	1.93	3.9	1.90	913	153	1.60	3.8	2.00	1050	133	1.39	3.6	2.10	323	432	4.52	6.3	1.35			GRX89 GRXF89	4P	361	387	4.04			6.2	1.50					401	348	3.64	6.1	1.65	442			316	3.30	6.0	1.85	500			279	2.92	5.8	2.10	553			253	2.64	5.7	2.30	652	214	2.24	5.4	2.70	745	188	1.96	5.3	3.00	890	157	1.64	5.0	3.20	1028	136	1.42	4.8	3.30	420	333	3.48	4.0	1.20			472	296	3.09	4.3	1.35			529	264	2.76	4.2	1.50	589	237			2.48	4.1	1.65	679	206	2.15	4.0	1.80	756	185	1.93	3.9	1.90	913	153	1.60	3.8	2.00	1050	133	1.39	3.6	2.10																																																																																																																
28	4928	52.87	69	2.50			31	4348	46.65	69	2.80			36	3755	40.29	69	3.30			41	3322	35.64	69	3.70			14	9619	103.20	29	0.80	GR149 GRF149	4P			157	866	9.29			13	2.20	16			8268	88.70	48			0.90	18	7542		80.91	51		1.00	20	6850		73.49	52		1.10	22	6077		65.20	54		1.25	25	5515			59.17	54	1.40	29	4741			50.86	55	1.60	33	4138	44.39	56	1.85	39	3509	37.65	57	2.20	44	3068	32.91	57	2.50	52		2594	27.83		57	2.80	61	2248	24.12			57	3.20	GR139 GRF139	4P	174	782	8.39	13	2.50			66	2051	22.00	57	3.50			77	1775	19.04			57	4.00	31			4440	47.63	23			0.90	GR139 GRF139	4P	205	664			7.12				12	2.90		36				3763				40.37	23	1.10			41	3287	35.26			22	1.25	50			2749	29.49	21					1.50	47	2868					30.77	22	1.40	53	2571	27.58	21	1.60	59	2321	24.90	21	1.75	65	2108	22.62	20	1.95	73			1871	20.07	20			2.20	80	1697	18.21	19	2.40	93	1459	15.65	19	2.80	107	1273	13.66	18	3.20	281	485	5.20	17	3.70	GR139 GRF139	4P	235	579	6.21	12	3.10			85	1599	17.15	11	0.85					95	1437	15.42			11	0.90	109		1247		13.38	11	1.00	122	1117	11.98			11	1.05	147	927			9.94	10	1.20	160	853			9.15	10	1.35	177	767	8.23	10	1.45	204	666	7.14	10	1.55	228	596	6.39	10	1.65	275	495	5.31			9.1	1.75	224	624	6.52	16	1.80			GRX139 GRXF139	4P	281	497	5.19	8.0	1.35			249	562	5.87	12			2.35					277	505	5.28			12	2.65	339			412	4.31	10			2.80	372	376	3.93	6.0			3.50	429	325	3.40	5.9	4.15	487	287	3.00	5.9	4.90	564	248	2.59	6.5	5.20	638	219	2.29	6.1	5.35	281	497	5.19	8.0	1.35			314	445	4.65	7.8	1.50	348	402	4.20			7.7	2.00	383	365	3.81	7.5	2.20	432	323	3.38	7.3	2.50	476	294	3.07	7.2	2.80	553	253	2.64	6.9	3.20	635	220	2.30	6.7	3.70	749	187	1.95	6.4	4.00	854	164	1.71	6.1	4.20	1014	138	1.44	5.9	4.60	323	432	4.52	6.3	1.35	GRX109 GRXF109	4P	361	387	4.04	6.2	1.50			401	348			3.64	6.1	1.65					442	316	3.30	6.0	1.85			500	279	2.92	5.8	2.10			553	253	2.64	5.7	2.30			652	214	2.24	5.4	2.70			745	188	1.96	5.3	3.00	890	157	1.64	5.0	3.20	1028	136	1.42	4.8	3.30	420	333	3.48	4.0	1.20	472	296	3.09	4.3	1.35			529	264	2.76	4.2	1.50			589	237	2.48	4.1	1.65	679	206	2.15	4.0	1.80	756	185	1.93	3.9	1.90	913	153	1.60	3.8	2.00	1050	133	1.39	3.6	2.10	323	432	4.52	6.3	1.35	GRX99 GRXF99	4P	361	387	4.04	6.2	1.50					401	348	3.64	6.1	1.65					442		316	3.30		6.0	1.85	500	279	2.92			5.8	2.10	553	253	2.64			5.7	2.30	652	214	2.24			5.4	2.70	745	188	1.96	5.3	3.00	890	157	1.64	5.0	3.20	1028	136	1.42	4.8	3.30	420	333	3.48	4.0	1.20	472	296	3.09	4.3	1.35			529	264	2.76	4.2	1.50			589	237	2.48	4.1	1.65	679	206	2.15	4.0	1.80	756	185	1.93	3.9	1.90	913	153	1.60	3.8	2.00	1050	133	1.39	3.6	2.10	323	432	4.52	6.3	1.35	GRX89 GRXF89	4P	361	387	4.04	6.2	1.50					401	348	3.64			6.1	1.65					442	316	3.30	6.0	1.85	500			279	2.92	5.8	2.10	553			253	2.64	5.7	2.30	652			214	2.24	5.4	2.70	745	188	1.96	5.3	3.00	890	157	1.64	5.0	3.20	1028	136	1.42	4.8	3.30	420	333	3.48	4.0	1.20	472	296	3.09	4.3	1.35			529	264	2.76	4.2	1.50			589	237	2.48	4.1	1.65	679	206	2.15	4.0	1.80	756	185	1.93	3.9	1.90	913	153	1.60	3.8	2.00	1050	133	1.39	3.6	2.10																																																																																																																							
31	4348	46.65	69	2.80			36	3755	40.29	69	3.30			41	3322	35.64	69	3.70			14	9619	103.20	29	0.80			GR149 GRF149	4P	157	866	9.29					13	2.20	16			8268	88.70	48			0.90	18	7542			80.91	51	1.00		20	6850		73.49	52	1.10		22	6077		65.20	54	1.25		25	5515		59.17	54	1.40			29	4741	50.86	55	1.60			33	4138	44.39	56	1.85	39	3509	37.65	57	2.20	44	3068	32.91	57	2.50	52	2594	27.83	57		2.80	61		2248	24.12	57	3.20	GR139 GRF139	4P	174	782	8.39			13	2.50	66	2051	22.00			57	3.50	77	1775	19.04			57	4.00	31			4440	47.63	23			0.90	GR139 GRF139	4P			205			664	7.12			12				2.90	36		3763				40.37				23	1.10	41			3287	35.26	22			1.25	50	2749			29.49	21	1.50					47	2868	30.77			22	1.40	53	2571	27.58	21	1.60	59	2321	24.90	21	1.75	65	2108	22.62	20	1.95	73	1871	20.07	20			2.20	80	1697	18.21	19	2.40	93	1459	15.65	19	2.80	107	1273	13.66	18	3.20	281	485	5.20	17	3.70	GR139 GRF139	4P	235	579	6.21			12	3.10	85	1599	17.15			11	0.85	95	1437	15.42					11	0.90	109			1247	13.38	11		1.00		122	1117	11.98	11	1.05	147			927	9.94	10	1.20			160	853	9.15	10	1.35			177	767	8.23	10	1.45	204	666	7.14	10	1.55	228	596	6.39	10	1.65	275	495	5.31	9.1	1.75	224			624	6.52	16	1.80	GRX139 GRXF139	4P	281	497	5.19			8.0	1.35	249	562	5.87			12	2.35	277	505			5.28					12	2.65	339			412	4.31	10			2.80	372	376			3.93	6.0	3.50	429	325			3.40	5.9	4.15	487	287	3.00	5.9	4.90	564	248	2.59	6.5	5.20	638	219	2.29	6.1	5.35	281	497	5.19	8.0	1.35	314	445	4.65			7.8	1.50	348	402	4.20	7.7	2.00	383	365	3.81	7.5	2.20	432	323	3.38	7.3	2.50	476	294	3.07	7.2	2.80	553	253	2.64	6.9	3.20	635	220	2.30	6.7	3.70	749	187	1.95	6.4	4.00	854	164	1.71	6.1	4.20	1014	138	1.44	5.9	4.60	323	432	4.52	6.3	1.35	GRX109 GRXF109	4P	361	387	4.04			6.2	1.50	401	348	3.64			6.1	1.65			442	316	3.30					6.0	1.85	500	279	2.92			5.8	2.10	553	253	2.64			5.7	2.30	652	214	2.24			5.4	2.70	745	188	1.96			5.3	3.00	890	157	1.64	5.0	3.20	1028	136	1.42	4.8	3.30	420	333	3.48	4.0	1.20	472	296	3.09	4.3	1.35	529	264	2.76			4.2	1.50	589	237	2.48	4.1	1.65	679	206	2.15	4.0	1.80	756	185	1.93	3.9	1.90	913	153	1.60	3.8	2.00	1050	133	1.39	3.6	2.10	323	432	4.52	6.3	1.35	GRX99 GRXF99	4P	361	387	4.04			6.2	1.50	401	348	3.64					6.1	1.65	442	316	3.30					6.0		1.85	500		279	2.92	5.8	2.10	553			253	2.64	5.7	2.30	652			214	2.24	5.4	2.70	745			188	1.96	5.3	3.00	890	157	1.64	5.0	3.20	1028	136	1.42	4.8	3.30	420	333	3.48	4.0	1.20	472	296	3.09	4.3	1.35	529	264	2.76			4.2	1.50	589	237	2.48	4.1	1.65	679	206	2.15	4.0	1.80	756	185	1.93	3.9	1.90	913	153	1.60	3.8	2.00	1050	133	1.39	3.6	2.10	323	432	4.52	6.3	1.35	GRX89 GRXF89	4P	361	387	4.04			6.2	1.50	401	348	3.64					6.1	1.65	442			316	3.30					6.0	1.85	500	279	2.92	5.8			2.10	553	253	2.64	5.7			2.30	652	214	2.24	5.4			2.70	745	188	1.96	5.3	3.00	890	157	1.64	5.0	3.20	1028	136	1.42	4.8	3.30	420	333	3.48	4.0	1.20	472	296	3.09	4.3	1.35	529	264	2.76			4.2	1.50	589	237	2.48	4.1	1.65	679	206	2.15	4.0	1.80	756	185	1.93	3.9	1.90	913	153	1.60	3.8	2.00	1050	133	1.39	3.6	2.10																																																																																																																												
36	3755	40.29	69	3.30			41	3322	35.64	69	3.70			14	9619	103.20	29	0.80			GR149 GRF149	4P	157	866	9.29					13	2.20	16			8268	88.70	48	0.90	18			7542	80.91	51			1.00	20	6850			73.49	52	1.10		22	6077		65.20	54	1.25		25	5515		59.17	54	1.40		29	4741		50.86	55	1.60			33	4138	44.39	56	1.85			39	3509	37.65	57	2.20	44	3068	32.91	57	2.50	52	2594	27.83	57	2.80	61	2248	24.12	57	3.20	GR139 GRF139	4P	174	782	8.39	13	2.50			66	2051	22.00			57	3.50	77	1775	19.04			57	4.00	31	4440	47.63			23	0.90	GR139 GRF139			4P	205	664			7.12					12			2.90	36			3763				40.37	23		1.10				41				3287	35.26	22			1.25	50	2749			29.49	21	1.50			47	2868	30.77			22	1.40	53	2571	27.58			21	1.60	59	2321	24.90	21	1.75	65	2108	22.62	20	1.95	73	1871	20.07	20	2.20	80	1697	18.21	19	2.40	93	1459	15.65	19	2.80	107	1273	13.66	18	3.20	281	485	5.20	17	3.70	GR139 GRF139	4P	235	579	6.21	12	3.10			85	1599	17.15			11	0.85	95	1437	15.42			11	0.90	109	1247	13.38					11	1.00	122			1117	11.98	11		1.05		147	927	9.94	10	1.20	160			853	9.15	10	1.35			177	767	8.23	10	1.45			204	666	7.14	10	1.55	228	596	6.39	10	1.65	275	495	5.31	9.1	1.75	224	624	6.52	16	1.80	GRX139 GRXF139	4P	281	497	5.19	8.0	1.35			249	562	5.87			12	2.35	277	505	5.28			12	2.65	339	412			4.31					10	2.80	372			376	3.93	6.0			3.50	429	325			3.40	5.9	4.15	487	287			3.00	5.9	4.90	564	248	2.59	6.5	5.20	638	219	2.29	6.1	5.35	281	497	5.19	8.0	1.35	314	445	4.65	7.8	1.50	348	402	4.20	7.7	2.00	383	365	3.81	7.5	2.20	432	323	3.38	7.3	2.50	476	294	3.07	7.2	2.80	553	253	2.64	6.9	3.20	635	220	2.30	6.7	3.70	749	187	1.95	6.4	4.00	854	164	1.71	6.1	4.20	1014	138	1.44	5.9	4.60	323	432	4.52	6.3	1.35	GRX109 GRXF109	4P	361	387	4.04	6.2	1.50			401	348	3.64			6.1	1.65	442	316	3.30			6.0	1.85			500	279	2.92					5.8	2.10	553	253	2.64			5.7	2.30	652	214	2.24			5.4	2.70	745	188	1.96			5.3	3.00	890	157	1.64			5.0	3.20	1028	136	1.42	4.8	3.30	420	333	3.48	4.0	1.20	472	296	3.09	4.3	1.35	529	264	2.76	4.2	1.50	589	237	2.48	4.1	1.65	679	206	2.15	4.0	1.80	756	185	1.93	3.9	1.90	913	153	1.60	3.8	2.00	1050	133	1.39	3.6	2.10	323	432	4.52	6.3	1.35	GRX99 GRXF99	4P	361	387	4.04	6.2	1.50			401	348	3.64			6.1	1.65	442	316	3.30					6.0	1.85	500	279	2.92					5.8		2.10	553		253	2.64	5.7	2.30	652			214	2.24	5.4	2.70	745			188	1.96	5.3	3.00	890			157	1.64	5.0	3.20	1028	136	1.42	4.8	3.30	420	333	3.48	4.0	1.20	472	296	3.09	4.3	1.35	529	264	2.76	4.2	1.50	589	237	2.48	4.1	1.65	679	206	2.15	4.0	1.80	756	185	1.93	3.9	1.90	913	153	1.60	3.8	2.00	1050	133	1.39	3.6	2.10	323	432	4.52	6.3	1.35	GRX89 GRXF89	4P	361	387	4.04	6.2	1.50			401	348	3.64			6.1	1.65	442	316	3.30					6.0	1.85	500			279	2.92					5.8	2.10	553	253	2.64	5.7			2.30	652	214	2.24	5.4			2.70	745	188	1.96	5.3			3.00	890	157	1.64	5.0	3.20	1028	136	1.42	4.8	3.30	420	333	3.48	4.0	1.20	472	296	3.09	4.3	1.35	529	264	2.76	4.2	1.50	589	237	2.48	4.1	1.65	679	206	2.15	4.0	1.80	756	185	1.93	3.9	1.90	913	153	1.60	3.8	2.00	1050	133	1.39	3.6	2.10																																																																																																																																			
41	3322	35.64	69	3.70			14	9619	103.20	29	0.80			GR149 GRF149	4P	157	866	9.29					13	2.20	16	8268	88.70			48	0.90	18			7542	80.91	51	1.00	20			6850	73.49	52			1.10	22	6077			65.20	54	1.25		25	5515		59.17	54	1.40		29	4741		50.86	55	1.60		33	4138		44.39	56	1.85			39	3509	37.65	57	2.20			44	3068	32.91	57	2.50	52	2594	27.83	57	2.80	61	2248	24.12	57	3.20	GR139 GRF139	4P	174	782	8.39			13	2.50	66	2051	22.00			57	3.50	77			1775	19.04	57	4.00	31			4440	47.63	23	0.90	GR139 GRF139			4P	205					664	7.12			12					2.90			36	3763			40.37				23	1.10		41				3287				35.26	22	1.25			50	2749	29.49			21	1.50	47			2868	30.77	22			1.40	53	2571	27.58	21			1.60	59	2321	24.90	21	1.75	65	2108	22.62	20	1.95	73	1871	20.07	20	2.20	80	1697	18.21	19	2.40	93	1459	15.65	19	2.80	107	1273	13.66	18	3.20	281	485	5.20	17	3.70	GR139 GRF139			4P	235	579	6.21	12			3.10	85	1599			17.15	11	0.85	95	1437			15.42	11	0.90	109	1247					13.38	11	1.00			122	1117	11.98		11		1.05	147	927	9.94	10	1.20			160	853	9.15	10			1.35	177	767	8.23	10			1.45	204	666	7.14	10	1.55	228	596	6.39	10	1.65	275	495	5.31	9.1	1.75	224	624	6.52	16			1.80	GRX139 GRXF139	4P	281	497			5.19	8.0	1.35			249	562	5.87	12	2.35			277	505	5.28	12			2.65					339	412	4.31			10	2.80	372			376	3.93	6.0			3.50	429	325	3.40	5.9			4.15	487	287	3.00	5.9	4.90	564	248	2.59	6.5	5.20	638	219	2.29	6.1	5.35	281	497	5.19	8.0	1.35	314	445	4.65	7.8	1.50	348	402	4.20	7.7	2.00	383	365	3.81	7.5	2.20	432	323	3.38	7.3	2.50	476	294	3.07	7.2	2.80	553	253	2.64	6.9	3.20	635	220	2.30	6.7	3.70	749	187	1.95	6.4	4.00	854	164	1.71	6.1	4.20	1014	138	1.44	5.9	4.60	323	432			4.52	6.3	1.35	GRX109 GRXF109	4P			361	387	4.04			6.2	1.50	401	348	3.64			6.1	1.65			442	316	3.30					6.0	1.85	500	279	2.92			5.8	2.10	553	253	2.64			5.7	2.30	652	214	2.24			5.4	2.70	745	188	1.96			5.3	3.00	890	157	1.64	5.0	3.20	1028	136	1.42	4.8	3.30	420	333	3.48	4.0	1.20	472	296	3.09	4.3	1.35	529	264	2.76	4.2	1.50	589	237	2.48	4.1	1.65	679	206	2.15	4.0	1.80	756	185	1.93	3.9	1.90	913	153	1.60	3.8	2.00	1050	133	1.39	3.6	2.10			323	432	4.52	6.3	1.35			GRX99 GRXF99	4P	361			387	4.04	6.2	1.50	401					348	3.64	6.1	1.65	442					316		3.30	6.0		1.85	500	279	2.92	5.8			2.10	553	253	2.64	5.7			2.30	652	214	2.24	5.4			2.70	745	188	1.96	5.3	3.00	890	157	1.64	5.0	3.20	1028	136	1.42	4.8	3.30	420	333	3.48	4.0	1.20	472	296	3.09	4.3	1.35	529	264	2.76	4.2	1.50	589	237	2.48	4.1	1.65	679	206	2.15	4.0	1.80	756	185	1.93	3.9	1.90	913	153	1.60	3.8	2.00	1050	133	1.39			3.6	2.10	323	432	4.52			6.3	1.35	GRX89 GRXF89			4P	361	387	4.04	6.2					1.50	401	348			3.64	6.1					1.65	442	316	3.30	6.0	1.85			500	279	2.92	5.8	2.10			553	253	2.64	5.7	2.30			652	214	2.24	5.4	2.70	745	188	1.96	5.3	3.00	890	157	1.64	5.0	3.20	1028	136	1.42	4.8	3.30	420	333	3.48	4.0	1.20	472	296	3.09	4.3	1.35	529	264	2.76	4.2	1.50	589	237	2.48	4.1	1.65	679	206	2.15	4.0	1.80	756	185	1.93	3.9	1.90	913	153	1.60	3.8	2.00	1050	133	1.39	3.6	2.10																																																																																																																										
14	9619	103.20	29	0.80			GR149 GRF149	4P	157	866	9.29					13	2.20																																																																																																																																																																																																																																																																																																																																																																																																																																																																																																																																																																																																																																																																																																																																																																																																																																																																																																																							
16	8268	88.70	48	0.90					18	7542	80.91	51	1.00			20	6850	73.49	52	1.10			22	6077	65.20	54	1.25			25	5515	59.17			54	1.40	29	4741	50.86			55	1.60	33			4138	44.39	56			1.85	39	3509		37.65	57		2.20	44	3068		32.91	57		2.50	52	2594		27.83	57		2.80	61	2248	24.12	57	3.20	GR139 GRF139	4P	174	782	8.39	13	2.50	66	2051	22.00	57	3.50	77	1775	19.04	57	4.00	31	4440	47.63	23			0.90	GR139 GRF139	4P			205	664	7.12	12	2.90			36	3763	40.37			23	1.10	41	3287	35.26			22	1.25	50	2749					29.49					21	1.50			47					2868			30.77	22			1.40			53	2571	27.58	21	1.60			59	2321		24.90		21	1.75	65			2108	22.62	20			1.95	73	1871			20.07	20	2.20	80	1697	18.21	19	2.40	93	1459	15.65	19	2.80	107	1273	13.66	18	3.20	281	485	5.20	17	3.70	GR139 GRF139	4P	235	579	6.21	12	3.10	85	1599	17.15	11	0.85	95	1437	15.42	11	0.90	109	1247	13.38	11	1.00	122	1117	11.98					11	1.05	147	927			9.94	10	1.20			160	853	9.15	10	1.35			177	767	8.23	10	1.45					204	666	7.14			10	1.55	228		596		6.39	10	1.65	275	495	5.31			9.1	1.75	224	624	6.52	16	1.80	GRX139 GRXF139	4P	281	497	5.19	8.0	1.35	249	562	5.87	12	2.35	277	505	5.28	12	2.65	339	412	4.31	10	2.80	372	376	3.93	6.0			3.50			429	325			3.40	5.9	4.15			487	287	3.00	5.9	4.90			564	248	2.59	6.5			5.20					638	219	2.29			6.1	5.35	281			497	5.19	8.0	1.35	314	445	4.65	7.8	1.50	348	402	4.20	7.7	2.00	383	365	3.81	7.5	2.20	432	323	3.38	7.3	2.50	476	294	3.07	7.2	2.80	553	253	2.64	6.9	3.20	635	220	2.30	6.7	3.70	749	187	1.95	6.4	4.00	854	164	1.71	6.1	4.20	1014	138	1.44	5.9	4.60	323	432	4.52	6.3	1.35	GRX109 GRXF109	4P	361	387	4.04	6.2	1.50	401	348	3.64	6.1	1.65	442	316	3.30	6.0	1.85	500	279	2.92	5.8	2.10	553	253	2.64	5.7			2.30	652	214					2.24	5.4	2.70			745	188	1.96	5.3	3.00			890	157			1.64	5.0	3.20					1028	136	1.42	4.8	3.30			420	333	3.48	4.0	1.20			472	296	3.09	4.3	1.35	529	264	2.76	4.2	1.50	589	237	2.48	4.1	1.65	679	206	2.15	4.0	1.80	756	185	1.93	3.9	1.90	913	153	1.60	3.8	2.00	1050	133	1.39	3.6	2.10	323	432	4.52	6.3	1.35	GRX99 GRXF99	4P	361	387	4.04	6.2	1.50	401	348	3.64	6.1	1.65	442	316	3.30	6.0	1.85	500	279	2.92	5.8	2.10	553	253	2.64	5.7			2.30	652	214	2.24	5.4					2.70			745	188	1.96	5.3	3.00					890	157	1.64	5.0	3.20					1028		136	1.42		4.8	3.30	420	333	3.48			4.0	1.20	472	296	3.09	4.3	1.35	529	264	2.76	4.2	1.50	589	237	2.48	4.1	1.65	679	206	2.15	4.0	1.80	756	185	1.93	3.9	1.90	913	153	1.60	3.8	2.00	1050	133	1.39	3.6	2.10	323	432	4.52	6.3	1.35	GRX89 GRXF89	4P	361	387	4.04	6.2	1.50	401	348	3.64	6.1	1.65	442	316	3.30	6.0	1.85	500	279	2.92	5.8	2.10	553	253	2.64	5.7			2.30	652	214	2.24	5.4			2.70	745					188	1.96	5.3	3.00					890	157	1.64			5.0	3.20					1028	136	1.42	4.8	3.30	420			333	3.48	4.0	1.20	472	296	3.09	4.3	1.35	529	264	2.76	4.2	1.50	589	237	2.48	4.1	1.65	679	206	2.15	4.0	1.80	756	185	1.93	3.9	1.90	913	153	1.60	3.8	2.00	1050	133	1.39	3.6	2.10																																																																																																																																																													
18	7542	80.91	51	1.00	20	6850			73.49	52	1.10	22	6077			65.20	54	1.25	25	5515			59.17	54	1.40	29	4741			50.86	55	1.60			33	4138	44.39	56	1.85			39	3509	37.65			57	2.20	44			3068	32.91	57		2.50	52		2594	27.83	57		2.80	61		2248	24.12	57	3.20	GR139 GRF139	4P	174	782	8.39	13	2.50	66	2051			22.00	57	3.50	77	1775	19.04	57	4.00	31	4440	47.63	23	0.90	GR139 GRF139	4P	205	664	7.12	12			2.90					36	3763	40.37	23	1.10			41	3287	35.26			22	1.25	50	2749	29.49			21	1.50	47	2868					30.77					22	1.40			53					2571			27.58	21	1.60	59	2321			24.90	21	1.75	65	2108			22.62	20		1.95		73	1871	20.07			20	2.20	80			1697	18.21	19	2.40	93	1459	15.65	19	2.80	107	1273	13.66	18	3.20	281	485	5.20	17	3.70	GR139 GRF139	4P	235	579	6.21	12	3.10	85	1599			17.15	11	0.85	95	1437	15.42	11	0.90	109	1247	13.38	11	1.00	122	1117	11.98	11	1.05	147	927	9.94	10	1.20					160	853	9.15	10			1.35	177	767			8.23	10	1.45	204	666			7.14	10	1.55	228	596					6.39	10	1.65			275	495	5.31		9.1		1.75	224	624	6.52	16	1.80	GRX139 GRXF139	4P	281	497	5.19	8.0	1.35	249	562			5.87	12	2.35	277	505	5.28	12	2.65	339	412	4.31	10	2.80	372	376	3.93	6.0	3.50	429	325	3.40	5.9	4.15	487			287			3.00	5.9			4.90	564	248			2.59	6.5	5.20	638	219			2.29	6.1	5.35	281			497					5.19	8.0	1.35			314	445	4.65	7.8	1.50	348	402	4.20	7.7	2.00	383	365	3.81	7.5	2.20	432	323	3.38	7.3	2.50	476	294	3.07	7.2	2.80	553	253	2.64	6.9	3.20	635	220	2.30	6.7	3.70	749	187	1.95	6.4	4.00	854	164	1.71	6.1	4.20	1014	138	1.44	5.9	4.60	323	432	4.52	6.3	1.35	GRX109 GRXF109	4P	361	387	4.04	6.2	1.50	401	348			3.64	6.1	1.65	442	316	3.30	6.0	1.85	500	279	2.92	5.8	2.10	553	253	2.64	5.7	2.30	652	214	2.24	5.4	2.70	745			188	1.96	5.3					3.00	890	157			1.64	5.0	3.20	1028	136			1.42	4.8			3.30	420	333					3.48	4.0	1.20	472	296			3.09	4.3	1.35	529	264	2.76	4.2	1.50	589	237	2.48	4.1	1.65	679	206	2.15	4.0	1.80	756	185	1.93	3.9	1.90	913	153	1.60	3.8	2.00	1050	133	1.39	3.6	2.10	323	432	4.52	6.3	1.35	GRX99 GRXF99	4P	361	387	4.04	6.2	1.50	401	348			3.64	6.1	1.65	442	316	3.30	6.0	1.85	500	279	2.92	5.8	2.10	553	253	2.64	5.7	2.30	652	214	2.24	5.4	2.70	745			188	1.96	5.3	3.00	890					157			1.64	5.0	3.20	1028	136					1.42	4.8	3.30	420	333					3.48		4.0	1.20		472	296	3.09	4.3	1.35	529	264	2.76	4.2	1.50	589	237	2.48	4.1	1.65	679	206	2.15	4.0	1.80	756	185	1.93	3.9	1.90	913	153	1.60	3.8	2.00	1050	133	1.39	3.6	2.10	323	432	4.52	6.3	1.35	GRX89 GRXF89	4P	361	387	4.04	6.2	1.50	401	348			3.64	6.1	1.65	442	316	3.30	6.0	1.85	500	279	2.92	5.8	2.10	553	253	2.64	5.7	2.30	652	214	2.24	5.4	2.70	745			188	1.96	5.3	3.00	890			157	1.64					5.0	3.20	1028	136					1.42	4.8	3.30			420	333					3.48	4.0	1.20	472	296	3.09	4.3	1.35	529	264	2.76	4.2	1.50	589	237	2.48	4.1	1.65	679	206	2.15	4.0	1.80	756	185	1.93	3.9	1.90	913	153	1.60	3.8	2.00	1050	133	1.39	3.6	2.10																																																																																																																																																																						
20	6850	73.49	52	1.10	22	6077			65.20	54	1.25	25	5515			59.17	54	1.40	29	4741			50.86	55	1.60	33	4138			44.39	56	1.85			39	3509	37.65	57	2.20			44	3068	32.91			57	2.50	52			2594	27.83	57		2.80	61		2248	24.12	57	3.20	GR139 GRF139	4P	174	782	8.39	13	2.50			66	2051	22.00	57	3.50	77	1775			19.04	57	4.00	31	4440	47.63	23	0.90	GR139 GRF139	4P	205	664	7.12			12	2.90	36	3763			40.37					23	1.10	41	3287	35.26			22	1.25	50			2749	29.49	21	1.50	47			2868	30.77	22	1.40					53					2571	27.58			21			1.60	59	2321			24.90	21	1.75	65	2108			22.62	20	1.95	73	1871			20.07	20		2.20		80	1697	18.21			19	2.40	93	1459	15.65	19	2.80	107	1273	13.66	18	3.20	281	485	5.20	17	3.70	GR139 GRF139	4P	235	579	6.21	12	3.10			85	1599	17.15	11	0.85	95	1437			15.42	11	0.90	109	1247	13.38	11	1.00	122	1117	11.98	11	1.05	147	927	9.94	10	1.20	160	853	9.15	10	1.35					177	767	8.23	10			1.45	204	666			7.14	10	1.55	228	596			6.39	10	1.65	275	495					5.31	9.1	1.75			224	624	6.52	16	1.80	GRX139 GRXF139	4P	281	497	5.19	8.0	1.35			249	562	5.87	12	2.35	277	505			5.28	12	2.65	339	412	4.31	10	2.80	372	376	3.93	6.0	3.50	429	325	3.40	5.9	4.15	487	287	3.00	5.9	4.90	564			248			2.59	6.5			5.20	638	219			2.29	6.1	5.35	281	497			5.19	8.0	1.35	314			445					4.65	7.8	1.50	348	402	4.20	7.7	2.00	383	365	3.81	7.5	2.20	432	323	3.38	7.3	2.50	476	294	3.07	7.2	2.80	553	253	2.64	6.9	3.20	635	220	2.30	6.7	3.70	749	187	1.95	6.4	4.00	854	164	1.71	6.1	4.20	1014	138	1.44	5.9	4.60	323	432	4.52	6.3	1.35	GRX109 GRXF109	4P	361	387	4.04	6.2	1.50			401	348	3.64	6.1	1.65	442	316			3.30	6.0	1.85	500	279	2.92	5.8	2.10	553	253	2.64	5.7	2.30	652	214	2.24	5.4	2.70	745	188	1.96	5.3	3.00	890			157	1.64	5.0					3.20	1028	136			1.42	4.8	3.30	420	333			3.48	4.0			1.20	472	296					3.09	4.3	1.35	529	264	2.76	4.2	1.50	589	237	2.48	4.1	1.65	679	206	2.15	4.0	1.80	756	185	1.93	3.9	1.90	913	153	1.60	3.8	2.00	1050	133	1.39	3.6	2.10	323	432	4.52	6.3	1.35	GRX99 GRXF99	4P	361	387	4.04	6.2	1.50			401	348	3.64	6.1	1.65	442	316			3.30	6.0	1.85	500	279	2.92	5.8	2.10	553	253	2.64	5.7	2.30	652	214	2.24	5.4	2.70	745	188	1.96	5.3	3.00	890			157	1.64	5.0	3.20	1028					136			1.42	4.8	3.30	420	333					3.48	4.0	1.20	472	296					3.09	4.3	1.35	529	264	2.76	4.2	1.50	589	237	2.48	4.1	1.65	679	206	2.15	4.0	1.80	756	185	1.93	3.9	1.90	913	153	1.60	3.8	2.00	1050	133	1.39	3.6	2.10	323	432	4.52	6.3	1.35	GRX89 GRXF89	4P	361	387	4.04	6.2	1.50			401	348	3.64	6.1	1.65	442	316			3.30	6.0	1.85	500	279	2.92	5.8	2.10	553	253	2.64	5.7	2.30	652	214	2.24	5.4	2.70	745	188	1.96	5.3	3.00	890			157	1.64	5.0	3.20	1028			136	1.42					4.8	3.30	420	333					3.48	4.0	1.20			472	296		3.09	4.3		1.35	529	264	2.76	4.2	1.50	589	237	2.48	4.1	1.65	679	206	2.15	4.0	1.80	756	185	1.93	3.9	1.90	913	153	1.60	3.8	2.00	1050	133	1.39	3.6	2.10																																																																																																																																																																													
22	6077	65.20	54	1.25	25	5515			59.17	54	1.40	29	4741			50.86	55	1.60	33	4138			44.39	56	1.85	39	3509			37.65	57	2.20			44	3068	32.91	57	2.50			52	2594	27.83			57	2.80	61			2248	24.12	57	3.20	GR139 GRF139	4P	174	782	8.39	13	2.50			66	2051	22.00	57	3.50			77	1775	19.04	57	4.00	31	4440			47.63	23	0.90	GR139 GRF139	4P	205	664	7.12			12	2.90	36			3763	40.37	23	1.10			41					3287	35.26	22	1.25	50			2749	29.49	21			1.50	47	2868	30.77	22			1.40	53	2571	27.58					21					1.60	59	2321	24.90	21			1.75	65	2108			22.62	20	1.95	73	1871			20.07	20	2.20	80	1697			18.21	19		2.40		93	1459	15.65	19	2.80	107	1273	13.66	18	3.20	281	485	5.20	17	3.70	GR139 GRF139	4P	235	579	6.21	12	3.10			85	1599	17.15	11	0.85			95	1437	15.42	11	0.90	109	1247			13.38	11	1.00	122	1117	11.98	11	1.05	147	927	9.94	10	1.20	160	853	9.15	10	1.35	177	767	8.23	10	1.45					204	666	7.14	10			1.55	228	596			6.39	10	1.65	275	495			5.31	9.1	1.75	224	624					6.52	16	1.80	GRX139 GRXF139	4P	281	497	5.19	8.0	1.35			249	562	5.87	12	2.35			277	505	5.28	12	2.65	339	412			4.31	10	2.80	372	376	3.93	6.0	3.50	429	325	3.40	5.9	4.15	487	287	3.00	5.9	4.90	564	248	2.59	6.5	5.20	638			219			2.29	6.1			5.35	281	497			5.19	8.0	1.35	314	445			4.65	7.8	1.50	348			402			4.20	7.7	2.00	383	365	3.81	7.5	2.20	432	323	3.38	7.3	2.50	476	294	3.07	7.2	2.80	553	253	2.64	6.9	3.20	635	220	2.30	6.7	3.70	749	187	1.95	6.4	4.00	854	164	1.71	6.1	4.20	1014	138	1.44	5.9	4.60	323	432	4.52	6.3	1.35	GRX109 GRXF109	4P	361	387	4.04	6.2	1.50			401	348	3.64	6.1	1.65			442	316	3.30	6.0	1.85	500	279			2.92	5.8	2.10	553	253	2.64	5.7	2.30	652	214	2.24	5.4	2.70	745	188	1.96	5.3	3.00	890	157	1.64	5.0	3.20	1028			136	1.42	4.8					3.30	420	333			3.48	4.0	1.20	472	296			3.09	4.3			1.35	529	264			2.76	4.2	1.50	589	237	2.48	4.1	1.65	679	206	2.15	4.0	1.80	756	185	1.93	3.9	1.90	913	153	1.60	3.8	2.00	1050	133	1.39	3.6	2.10	323	432	4.52	6.3	1.35	GRX99 GRXF99	4P	361	387	4.04	6.2	1.50			401	348	3.64	6.1	1.65			442	316	3.30	6.0	1.85	500	279			2.92	5.8	2.10	553	253	2.64	5.7	2.30	652	214	2.24	5.4	2.70	745	188	1.96	5.3	3.00	890	157	1.64	5.0	3.20	1028			136	1.42	4.8	3.30	420					333			3.48	4.0	1.20	472	296					3.09	4.3	1.35	529	264	2.76	4.2			1.50	589	237	2.48	4.1	1.65	679	206	2.15	4.0	1.80	756	185	1.93	3.9	1.90	913	153	1.60	3.8	2.00	1050	133	1.39	3.6	2.10	323	432	4.52	6.3	1.35	GRX89 GRXF89	4P	361	387	4.04	6.2	1.50			401	348	3.64	6.1	1.65			442	316	3.30	6.0	1.85	500	279			2.92	5.8	2.10	553	253	2.64	5.7	2.30	652	214	2.24	5.4	2.70	745	188	1.96	5.3	3.00	890	157	1.64	5.0	3.20	1028			136	1.42	4.8	3.30	420			333	3.48					4.0	1.20	472	296					3.09	4.3	1.35	529	264	2.76	4.2		1.50	589		237	2.48	4.1	1.65	679	206	2.15	4.0	1.80	756	185	1.93	3.9	1.90	913	153	1.60	3.8	2.00	1050	133	1.39	3.6	2.10																																																																																																																																																																																				
25	5515	59.17	54	1.40	29	4741			50.86	55	1.60	33	4138			44.39	56	1.85	39	3509			37.65	57	2.20	44	3068			32.91	57	2.50			52	2594	27.83	57	2.80			61	2248	24.12			57	3.20	GR139 GRF139	4P	174	782	8.39	13	2.50			66	2051	22.00	57	3.50			77	1775	19.04	57	4.00			31	4440	47.63	23	0.90	GR139 GRF139	4P			205	664	7.12			12	2.90	36			3763	40.37	23			1.10	41	3287	35.26			22					1.25	50	2749	29.49	21			1.50	47	2868			30.77	22	1.40	53	2571			27.58	21	1.60	59					2321		24.90	21		1.75	65	2108	22.62	20			1.95	73	1871			20.07	20	2.20	80	1697			18.21	19	2.40	93	1459			15.65	19	2.80	107	1273	13.66	18	3.20	281	485	5.20	17	3.70	GR139 GRF139	4P	235	579	6.21	12	3.10			85	1599	17.15	11	0.85			95	1437	15.42	11	0.90			109	1247	13.38	11	1.00	122	1117			11.98	11	1.05	147	927	9.94	10	1.20	160	853	9.15	10	1.35	177	767	8.23	10	1.45	204	666	7.14	10	1.55					228	596	6.39	10			1.65	275	495			5.31	9.1	1.75	224	624			6.52	16	1.80	GRX139 GRXF139	4P		281	497		5.19	8.0	1.35			249	562	5.87	12	2.35			277	505	5.28	12	2.65			339	412	4.31	10	2.80	372	376			3.93	6.0	3.50	429	325	3.40	5.9	4.15	487	287	3.00	5.9	4.90	564	248	2.59	6.5	5.20	638	219	2.29	6.1	5.35	281			497			5.19	8.0			1.35	314	445			4.65	7.8	1.50	348	402			4.20	7.7	2.00	383	365	3.81	7.5			2.20	432	323	3.38	7.3	2.50	476	294	3.07	7.2	2.80	553	253	2.64	6.9	3.20	635	220	2.30	6.7	3.70	749	187	1.95	6.4	4.00	854	164	1.71	6.1	4.20	1014	138	1.44	5.9	4.60	323	432	4.52	6.3	1.35	GRX109 GRXF109	4P	361	387	4.04	6.2	1.50			401	348	3.64	6.1	1.65			442	316	3.30	6.0	1.85			500	279	2.92	5.8	2.10	553	253			2.64	5.7	2.30	652	214	2.24	5.4	2.70	745	188	1.96	5.3	3.00	890	157	1.64	5.0	3.20	1028	136	1.42	4.8	3.30	420			333	3.48	4.0					1.20	472	296			3.09	4.3	1.35	529	264			2.76	4.2	1.50	589	237	2.48	4.1			1.65	679	206	2.15	4.0	1.80	756	185	1.93	3.9	1.90	913	153	1.60	3.8	2.00	1050	133	1.39	3.6	2.10	323	432	4.52	6.3	1.35	GRX99 GRXF99	4P	361	387	4.04	6.2	1.50			401	348	3.64	6.1	1.65			442	316	3.30	6.0	1.85			500	279	2.92	5.8	2.10	553	253			2.64	5.7	2.30	652	214	2.24	5.4	2.70	745	188	1.96	5.3	3.00	890	157	1.64	5.0	3.20	1028	136	1.42	4.8	3.30	420			333	3.48	4.0	1.20	472					296			3.09	4.3	1.35	529	264			2.76	4.2	1.50	589	237	2.48	4.1	1.65	679			206	2.15	4.0	1.80	756	185	1.93	3.9	1.90	913	153	1.60	3.8	2.00	1050	133	1.39	3.6	2.10	323	432	4.52	6.3	1.35	GRX89 GRXF89	4P	361	387	4.04	6.2	1.50			401	348	3.64	6.1	1.65			442	316	3.30	6.0	1.85			500	279	2.92	5.8	2.10	553	253			2.64	5.7	2.30	652	214	2.24	5.4	2.70	745	188	1.96	5.3	3.00	890	157	1.64	5.0	3.20	1028	136	1.42	4.8	3.30	420			333	3.48	4.0	1.20	472			296	3.09					4.3	1.35	529	264	2.76	4.2			1.50	589	237	2.48	4.1	1.65	679		206	2.15		4.0	1.80	756	185	1.93	3.9	1.90	913	153	1.60	3.8	2.00	1050	133	1.39	3.6	2.10																																																																																																																																																																																											
29	4741	50.86	55	1.60	33	4138			44.39	56	1.85	39	3509			37.65	57	2.20	44	3068			32.91	57	2.50	52	2594			27.83	57	2.80			61	2248	24.12	57	3.20			GR139 GRF139	4P	174	782	8.39	13	2.50			66	2051	22.00	57	3.50			77	1775	19.04	57	4.00			31	4440	47.63	23	0.90			GR139 GRF139	4P	205	664	7.12					12	2.90	36			3763	40.37	23			1.10	41	3287			35.26	22	1.25	50			2749					29.49	21	1.50	47	2868			30.77	22	1.40			53	2571	27.58	21	1.60			59	2321	24.90	21		1.75	65		2108		22.62	20		1.95	73	1871	20.07	20			2.20	80	1697			18.21	19	2.40	93	1459			15.65	19	2.80	107	1273	13.66	18	3.20	281	485	5.20	17	3.70	GR139 GRF139	4P	235	579	6.21	12	3.10			85	1599	17.15	11	0.85			95	1437	15.42	11	0.90			109	1247	13.38	11	1.00			122	1117	11.98	11	1.05	147	927			9.94	10	1.20	160	853	9.15	10	1.35	177	767	8.23	10	1.45	204	666	7.14	10	1.55	228	596	6.39	10	1.65					275	495	5.31	9.1			1.75	224	624			6.52	16	1.80	GRX139 GRXF139	4P			281	497	5.19			8.0	1.35	249	562	5.87	12	2.35			277	505	5.28	12	2.65			339	412	4.31	10	2.80			372	376	3.93	6.0	3.50	429	325			3.40	5.9	4.15	487	287	3.00	5.9	4.90	564	248	2.59	6.5	5.20	638	219	2.29	6.1	5.35	281	497	5.19	8.0	1.35	314			445			4.65	7.8			1.50	348	402			4.20	7.7	2.00	383	365			3.81	7.5	2.20	432	323	3.38	7.3	2.50	476	294	3.07	7.2	2.80	553	253	2.64	6.9	3.20	635	220	2.30	6.7	3.70	749	187	1.95	6.4	4.00	854	164	1.71	6.1	4.20	1014	138	1.44	5.9	4.60	323	432	4.52	6.3	1.35	GRX109 GRXF109	4P	361	387	4.04	6.2	1.50			401	348	3.64	6.1	1.65			442	316	3.30	6.0	1.85			500	279	2.92	5.8	2.10			553	253	2.64	5.7	2.30	652	214			2.24	5.4	2.70	745	188	1.96	5.3	3.00	890	157	1.64	5.0	3.20	1028	136	1.42	4.8	3.30	420	333	3.48	4.0	1.20	472			296	3.09	4.3					1.35	529	264			2.76	4.2	1.50	589	237			2.48	4.1	1.65	679	206	2.15	4.0	1.80	756	185	1.93	3.9	1.90	913	153	1.60	3.8	2.00	1050	133	1.39	3.6	2.10	323	432	4.52	6.3	1.35	GRX99 GRXF99	4P	361	387	4.04	6.2	1.50			401	348	3.64	6.1	1.65			442	316	3.30	6.0	1.85			500	279	2.92	5.8	2.10			553	253	2.64	5.7	2.30	652	214			2.24	5.4	2.70	745	188	1.96	5.3	3.00	890	157	1.64	5.0	3.20	1028	136	1.42	4.8	3.30	420	333	3.48	4.0	1.20	472			296	3.09	4.3	1.35	529					264			2.76	4.2	1.50	589	237			2.48	4.1	1.65	679	206	2.15	4.0	1.80	756	185	1.93	3.9	1.90	913	153	1.60	3.8	2.00	1050	133	1.39	3.6	2.10	323	432	4.52	6.3	1.35	GRX89 GRXF89	4P	361	387	4.04	6.2	1.50			401	348	3.64	6.1	1.65			442	316	3.30	6.0	1.85			500	279	2.92	5.8	2.10			553	253	2.64	5.7	2.30	652	214			2.24	5.4	2.70	745	188	1.96	5.3	3.00	890	157	1.64	5.0	3.20	1028	136	1.42	4.8	3.30	420	333	3.48	4.0	1.20	472			296	3.09	4.3	1.35	529			264	2.76					4.2	1.50	589	237	2.48	4.1			1.65	679	206	2.15	4.0	1.80	756	185	1.93	3.9	1.90	913	153	1.60	3.8	2.00	1050	133	1.39	3.6	2.10																																																																																																																																																																																																		
33	4138	44.39	56	1.85	39	3509			37.65	57	2.20	44	3068			32.91	57	2.50	52	2594			27.83	57	2.80	61	2248			24.12	57	3.20			GR139 GRF139	4P	174	782	8.39	13	2.50			66	2051	22.00	57	3.50			77	1775	19.04	57	4.00			31	4440	47.63	23	0.90			GR139 GRF139	4P	205	664	7.12					12	2.90	36					3763	40.37	23			1.10	41	3287			35.26	22	1.25			50	2749	29.49	21			1.50					47	2868	30.77	22	1.40			53	2571	27.58			21	1.60	59	2321	24.90	21	1.75	65	2108	22.62	20		1.95	73		1871		20.07	20		2.20	80	1697	18.21	19			2.40	93	1459			15.65	19	2.80	107	1273	13.66	18	3.20	281	485	5.20	17	3.70	GR139 GRF139	4P	235	579	6.21	12	3.10			85	1599	17.15	11	0.85			95	1437	15.42	11	0.90			109	1247	13.38	11	1.00			122	1117	11.98	11	1.05			147	927	9.94	10	1.20	160	853			9.15	10	1.35	177	767	8.23	10	1.45	204	666	7.14	10	1.55	228	596	6.39	10	1.65	275	495	5.31	9.1	1.75					224	624	6.52	16			1.80	GRX139 GRXF139	4P			281	497	5.19			8.0	1.35	249	562	5.87			12	2.35	277	505	5.28	12	2.65			339	412	4.31	10	2.80			372	376	3.93	6.0	3.50			429	325	3.40	5.9	4.15	487	287			3.00	5.9	4.90	564	248	2.59	6.5	5.20	638	219	2.29	6.1	5.35	281	497	5.19	8.0	1.35	314	445	4.65	7.8	1.50	348			402			4.20	7.7			2.00	383	365			3.81	7.5	2.20	432	323	3.38	7.3	2.50	476	294	3.07	7.2	2.80	553	253	2.64	6.9	3.20	635	220	2.30	6.7	3.70	749	187	1.95	6.4	4.00	854	164	1.71	6.1	4.20	1014	138	1.44	5.9	4.60	323	432	4.52	6.3	1.35	GRX109 GRXF109	4P	361	387	4.04	6.2	1.50			401	348	3.64	6.1	1.65			442	316	3.30	6.0	1.85			500	279	2.92	5.8	2.10			553	253	2.64	5.7	2.30			652	214	2.24	5.4	2.70	745	188			1.96	5.3	3.00	890	157	1.64	5.0	3.20	1028	136	1.42	4.8	3.30	420	333	3.48	4.0	1.20	472	296	3.09	4.3	1.35	529			264	2.76	4.2					1.50	589	237			2.48	4.1	1.65	679	206	2.15	4.0	1.80	756	185	1.93	3.9	1.90	913	153	1.60	3.8	2.00	1050	133	1.39	3.6	2.10	323	432	4.52	6.3	1.35	GRX99 GRXF99	4P	361	387	4.04	6.2	1.50			401	348	3.64	6.1	1.65			442	316	3.30	6.0	1.85			500	279	2.92	5.8	2.10			553	253	2.64	5.7	2.30			652	214	2.24	5.4	2.70	745	188			1.96	5.3	3.00	890	157	1.64	5.0	3.20	1028	136	1.42	4.8	3.30	420	333	3.48	4.0	1.20	472	296	3.09	4.3	1.35	529			264	2.76	4.2	1.50	589					237			2.48	4.1	1.65	679	206	2.15	4.0	1.80	756	185	1.93	3.9	1.90	913	153	1.60	3.8	2.00	1050	133	1.39	3.6	2.10	323	432	4.52	6.3	1.35	GRX89 GRXF89	4P	361	387	4.04	6.2	1.50			401	348	3.64	6.1	1.65			442	316	3.30	6.0	1.85			500	279	2.92	5.8	2.10			553	253	2.64	5.7	2.30			652	214	2.24	5.4	2.70	745	188			1.96	5.3	3.00	890	157	1.64	5.0	3.20	1028	136	1.42	4.8	3.30	420	333	3.48	4.0	1.20	472	296	3.09	4.3	1.35	529			264	2.76	4.2	1.50	589			237	2.48					4.1	1.65	679	206	2.15	4.0	1.80	756	185	1.93	3.9	1.90	913	153	1.60	3.8	2.00	1050	133	1.39	3.6	2.10																																																																																																																																																																																																									
39	3509	37.65	57	2.20	44	3068			32.91	57	2.50	52	2594			27.83	57	2.80	61	2248			24.12	57	3.20	GR139 GRF139	4P			174	782	8.39	13	2.50			66	2051	22.00	57	3.50			77	1775	19.04	57	4.00			31	4440	47.63	23	0.90			GR139 GRF139	4P	205	664	7.12					12	2.90	36					3763	40.37	23					1.10	41	3287			35.26	22	1.25			50	2749	29.49			21	1.50	47	2868			30.77					22	1.40	53	2571	27.58			21	1.60	59	2321	24.90	21	1.75	65	2108	22.62	20	1.95	73	1871	20.07	20		2.20	80		1697		18.21	19		2.40	93	1459	15.65	19			2.80	107	1273	13.66	18	3.20	281	485	5.20	17	3.70	GR139 GRF139	4P	235	579	6.21	12	3.10			85	1599	17.15	11	0.85			95	1437	15.42	11	0.90			109	1247	13.38	11	1.00			122	1117	11.98	11	1.05			147	927	9.94	10	1.20			160	853	9.15	10	1.35	177	767			8.23	10	1.45	204	666	7.14	10	1.55	228	596	6.39	10	1.65	275	495	5.31	9.1	1.75	224	624	6.52	16	1.80					GRX139 GRXF139	4P	281	497			5.19			8.0	1.35	249	562	5.87			12	2.35	277	505	5.28			12	2.65	339	412	4.31	10	2.80			372	376	3.93	6.0	3.50			429	325	3.40	5.9	4.15			487	287	3.00	5.9	4.90	564	248			2.59	6.5	5.20	638	219	2.29	6.1	5.35	281	497	5.19	8.0	1.35	314	445	4.65	7.8	1.50	348	402	4.20	7.7	2.00	383			365			3.81	7.5			2.20	432	323	3.38	7.3	2.50	476	294	3.07	7.2	2.80	553	253	2.64	6.9	3.20	635	220	2.30	6.7	3.70	749	187	1.95	6.4	4.00	854	164	1.71	6.1	4.20	1014	138	1.44	5.9	4.60	323	432	4.52	6.3	1.35	GRX109 GRXF109	4P	361	387	4.04	6.2	1.50			401	348	3.64	6.1	1.65			442	316	3.30	6.0	1.85			500	279	2.92	5.8	2.10			553	253	2.64	5.7	2.30			652	214	2.24	5.4	2.70			745	188	1.96	5.3	3.00	890	157			1.64	5.0	3.20	1028	136	1.42	4.8	3.30	420	333	3.48	4.0	1.20	472	296	3.09	4.3	1.35	529	264	2.76	4.2	1.50	589			237	2.48	4.1					1.65	679	206	2.15	4.0	1.80	756	185	1.93	3.9	1.90	913	153	1.60	3.8	2.00	1050	133	1.39	3.6	2.10	323	432	4.52	6.3	1.35	GRX99 GRXF99	4P	361	387	4.04	6.2	1.50			401	348	3.64	6.1	1.65			442	316	3.30	6.0	1.85			500	279	2.92	5.8	2.10			553	253	2.64	5.7	2.30			652	214	2.24	5.4	2.70			745	188	1.96	5.3	3.00	890	157			1.64	5.0	3.20	1028	136	1.42	4.8	3.30	420	333	3.48	4.0	1.20	472	296	3.09	4.3	1.35	529	264	2.76	4.2	1.50	589			237	2.48	4.1	1.65	679					206	2.15	4.0	1.80	756	185	1.93	3.9	1.90	913	153	1.60	3.8	2.00	1050	133	1.39	3.6	2.10	323	432	4.52	6.3	1.35	GRX89 GRXF89	4P	361	387	4.04	6.2	1.50			401	348	3.64	6.1	1.65			442	316	3.30	6.0	1.85			500	279	2.92	5.8	2.10			553	253	2.64	5.7	2.30			652	214	2.24	5.4	2.70			745	188	1.96	5.3	3.00	890	157			1.64	5.0	3.20	1028	136	1.42	4.8	3.30	420	333	3.48	4.0	1.20	472	296	3.09	4.3	1.35	529	264	2.76	4.2	1.50	589			237	2.48	4.1	1.65	679			206	2.15		4.0	1.80		756	185	1.93	3.9	1.90	913	153	1.60	3.8	2.00	1050	133	1.39	3.6	2.10																																																																																																																																																																																																																
44	3068	32.91	57	2.50	52	2594			27.83	57	2.80	61	2248			24.12	57	3.20	GR139 GRF139	4P			174	782	8.39			13	2.50	66	2051	22.00	57	3.50			77	1775	19.04	57	4.00			31	4440	47.63	23	0.90			GR139 GRF139	4P	205	664	7.12					12	2.90	36					3763	40.37	23					1.10	41	3287					35.26	22	1.25			50	2749	29.49			21	1.50	47			2868	30.77	22	1.40			53					2571	27.58	21	1.60	59	2321	24.90	21	1.75	65	2108	22.62	20	1.95	73	1871	20.07	20	2.20	80	1697	18.21	19		2.40	93		1459		15.65	19		2.80	107	1273	13.66	18	3.20	281	485	5.20	17	3.70	GR139 GRF139	4P	235	579	6.21	12	3.10			85	1599	17.15	11	0.85			95	1437	15.42	11	0.90			109	1247	13.38	11	1.00			122	1117	11.98	11	1.05			147	927	9.94	10	1.20			160	853	9.15	10	1.35			177	767	8.23	10	1.45	204	666			7.14	10	1.55	228	596	6.39	10	1.65	275	495	5.31	9.1	1.75	224	624	6.52	16	1.80	GRX139 GRXF139	4P	281	497	5.19							8.0	1.35	249	562	5.87			12	2.35	277	505	5.28			12	2.65	339	412	4.31			10	2.80	372	376	3.93	6.0	3.50			429	325	3.40	5.9	4.15			487	287	3.00	5.9	4.90			564	248	2.59	6.5	5.20	638	219			2.29	6.1	5.35	281	497	5.19	8.0	1.35	314	445	4.65	7.8	1.50	348	402	4.20	7.7	2.00	383	365	3.81	7.5	2.20	432			323			3.38	7.3	2.50	476	294	3.07	7.2	2.80	553	253	2.64	6.9	3.20	635	220	2.30	6.7	3.70	749	187	1.95	6.4	4.00	854	164	1.71	6.1	4.20	1014	138	1.44	5.9	4.60	323	432	4.52	6.3	1.35	GRX109 GRXF109	4P	361	387	4.04	6.2	1.50			401	348	3.64	6.1	1.65			442	316	3.30	6.0	1.85			500	279	2.92	5.8	2.10			553	253	2.64	5.7	2.30			652	214	2.24	5.4	2.70			745	188	1.96	5.3	3.00			890	157	1.64	5.0	3.20	1028	136			1.42	4.8	3.30	420	333	3.48	4.0	1.20	472	296	3.09	4.3	1.35	529	264	2.76	4.2	1.50	589	237	2.48	4.1	1.65	679			206	2.15	4.0			1.80	756	185	1.93	3.9	1.90	913	153	1.60	3.8	2.00	1050	133	1.39	3.6	2.10	323	432	4.52	6.3	1.35	GRX99 GRXF99	4P	361	387	4.04	6.2	1.50			401	348	3.64	6.1	1.65			442	316	3.30	6.0	1.85			500	279	2.92	5.8	2.10			553	253	2.64	5.7	2.30			652	214	2.24	5.4	2.70			745	188	1.96	5.3	3.00			890	157	1.64	5.0	3.20	1028	136			1.42	4.8	3.30	420	333	3.48	4.0	1.20	472	296	3.09	4.3	1.35	529	264	2.76	4.2	1.50	589	237	2.48	4.1	1.65	679			206	2.15	4.0	1.80	756	185	1.93			3.9	1.90	913	153	1.60	3.8	2.00	1050	133	1.39	3.6	2.10	323	432	4.52	6.3	1.35	GRX89 GRXF89	4P	361	387	4.04	6.2	1.50			401	348	3.64	6.1	1.65			442	316	3.30	6.0	1.85			500	279	2.92	5.8	2.10			553	253	2.64	5.7	2.30			652	214	2.24	5.4	2.70			745	188	1.96	5.3	3.00			890	157	1.64	5.0	3.20	1028	136			1.42	4.8	3.30	420	333	3.48	4.0	1.20	472	296	3.09	4.3	1.35	529	264	2.76	4.2	1.50	589	237	2.48	4.1	1.65	679			206	2.15	4.0	1.80	756	185	1.93	3.9	1.90		913	153		1.60	3.8	2.00	1050	133	1.39	3.6	2.10																																																																																																																																																																																																																							
52	2594	27.83	57	2.80	61	2248			24.12	57	3.20	GR139 GRF139	4P			174	782	8.39			13	2.50	66	2051	22.00			57	3.50	77	1775	19.04	57	4.00			31	4440	47.63	23	0.90			GR139 GRF139	4P	205	664	7.12					12	2.90	36					3763	40.37	23					1.10	41	3287					35.26	22	1.25					50	2749	29.49			21	1.50	47			2868	30.77	22			1.40	53	2571	27.58			21			1.60	59	2321	24.90	21	1.75	65	2108	22.62	20	1.95	73	1871	20.07	20	2.20	80	1697	18.21	19	2.40	93	1459	15.65	19		2.80	107		1273	13.66	18	3.20	281	485	5.20	17	3.70	GR139 GRF139	4P	235	579	6.21	12	3.10			85	1599	17.15	11	0.85			95	1437	15.42	11	0.90			109	1247	13.38	11	1.00			122	1117	11.98	11	1.05			147	927	9.94	10	1.20			160	853	9.15	10	1.35			177	767	8.23	10	1.45			204	666	7.14	10	1.55	228	596			6.39	10	1.65	275	495	5.31	9.1	1.75	224	624	6.52	16	1.80	GRX139 GRXF139	4P	281	497	5.19			8.0	1.35	249		562	5.87				12	2.35	277	505	5.28			12	2.65	339	412	4.31			10	2.80	372	376	3.93			6.0	3.50	429	325	3.40	5.9	4.15			487	287	3.00	5.9	4.90			564	248	2.59	6.5	5.20			638	219	2.29	6.1	5.35	281	497			5.19	8.0	1.35	314	445	4.65	7.8	1.50	348	402	4.20	7.7	2.00	383	365	3.81	7.5	2.20	432	323	3.38	7.3	2.50	476	294	3.07	7.2			2.80	553	253	2.64	6.9	3.20	635	220	2.30	6.7	3.70	749	187	1.95	6.4	4.00	854	164	1.71	6.1	4.20	1014	138	1.44	5.9	4.60	323	432	4.52	6.3	1.35	GRX109 GRXF109	4P	361	387	4.04	6.2	1.50			401	348	3.64	6.1	1.65			442	316	3.30	6.0	1.85			500	279	2.92	5.8	2.10			553	253	2.64	5.7	2.30			652	214	2.24	5.4	2.70			745	188	1.96	5.3	3.00			890	157	1.64	5.0	3.20			1028	136	1.42	4.8	3.30	420	333			3.48	4.0	1.20	472	296	3.09	4.3	1.35	529	264	2.76	4.2	1.50	589	237	2.48	4.1	1.65	679	206	2.15	4.0	1.80	756	185	1.93	3.9	1.90	913			153	1.60	3.8	2.00	1050	133	1.39	3.6	2.10	323	432	4.52	6.3	1.35	GRX99 GRXF99	4P	361	387	4.04	6.2	1.50			401	348	3.64	6.1	1.65			442	316	3.30	6.0	1.85			500	279	2.92	5.8	2.10			553	253	2.64	5.7	2.30			652	214	2.24	5.4	2.70			745	188	1.96	5.3	3.00			890	157	1.64	5.0	3.20			1028	136	1.42	4.8	3.30	420	333			3.48	4.0	1.20	472	296	3.09	4.3	1.35	529	264	2.76	4.2	1.50	589	237	2.48	4.1	1.65	679	206	2.15	4.0	1.80	756	185	1.93	3.9	1.90	913	153	1.60	3.8	2.00			1050	133	1.39	3.6	2.10	323	432	4.52	6.3	1.35	GRX89 GRXF89	4P	361	387	4.04	6.2	1.50			401	348	3.64	6.1	1.65			442	316	3.30	6.0	1.85			500	279	2.92	5.8	2.10			553	253	2.64	5.7	2.30			652	214	2.24	5.4	2.70			745	188	1.96	5.3	3.00			890	157	1.64	5.0	3.20			1028	136	1.42	4.8	3.30	420	333			3.48	4.0	1.20	472	296	3.09	4.3	1.35	529	264	2.76	4.2	1.50	589	237	2.48	4.1	1.65	679	206	2.15	4.0	1.80	756	185	1.93	3.9	1.90	913	153	1.60	3.8	2.00	1050	133		1.39	3.6		2.10																																																																																																																																																																																																																														
61	2248	24.12	57	3.20	GR139 GRF139	4P			174	782	8.39			13	2.50																																																																																																																																																																																																																																																																																																																																																																																																																																																																																																																																																																																																																																																																																																																																																																																																																																																																																																																									
66	2051	22.00	57	3.50			77	1775	19.04	57	4.00			31	4440	47.63	23	0.90			GR139 GRF139	4P	205	664	7.12			12	2.90	36	3763	40.37	23	1.10			41	3287	35.26	22	1.25					50	2749	29.49					21	1.50	47					2868	30.77	22					1.40	53	2571					27.58	21	1.60					59	2321	24.90			21	1.75	65			2108	22.62	20			1.95	73	1871	20.07	20	2.20	80			1697	18.21	19	2.40	93	1459	15.65	19	2.80	107	1273	13.66	18	3.20	281	485	5.20	17	3.70	GR139 GRF139	4P	235	579	6.21	12	3.10	85	1599	17.15	11	0.85	95	1437	15.42	11	0.90	109	1247			13.38	11	1.00	122	1117			11.98	11	1.05	147	927			9.94	10	1.20	160	853			9.15	10	1.35	177	767			8.23	10	1.45	204	666			7.14	10	1.55	228	596			6.39	10	1.65	275	495			5.31	9.1	1.75	224	624			6.52	16	1.80	GRX139 GRXF139	4P	281	497			5.19	8.0	1.35	249	562	5.87	12	2.35	277	505	5.28	12	2.65			339	412	4.31			10	2.80	372	376	3.93	6.0	3.50			429	325	3.40	5.9	4.15			487	287	3.00	5.9	4.90			564	248	2.59	6.5	5.20			638	219	2.29	6.1	5.35	281	497			5.19	8.0	1.35	314	445			4.65	7.8	1.50	348	402			4.20	7.7	2.00	383	365	3.81	7.5			2.20	432	323	3.38	7.3	2.50	476	294	3.07	7.2	2.80	553	253	2.64	6.9	3.20	635	220	2.30	6.7	3.70	749	187	1.95	6.4	4.00	854	164	1.71	6.1	4.20	1014	138	1.44	5.9	4.60	323	432	4.52	6.3	1.35	GRX109 GRXF109	4P	361	387	4.04	6.2	1.50	401	348	3.64	6.1	1.65	442	316	3.30	6.0	1.85	500	279			2.92	5.8	2.10	553	253			2.64	5.7	2.30	652	214			2.24	5.4	2.70	745	188			1.96	5.3	3.00	890	157			1.64	5.0	3.20	1028	136			1.42	4.8	3.30	420	333			3.48	4.0	1.20	472	296			3.09	4.3	1.35	529	264			2.76	4.2	1.50	589	237	2.48	4.1			1.65	679	206	2.15	4.0	1.80	756	185	1.93	3.9	1.90	913	153	1.60	3.8	2.00	1050	133	1.39	3.6	2.10	323	432	4.52	6.3	1.35	GRX99 GRXF99	4P	361	387	4.04	6.2	1.50	401	348	3.64	6.1	1.65	442	316	3.30	6.0	1.85	500	279			2.92	5.8	2.10	553	253			2.64	5.7	2.30	652	214			2.24	5.4	2.70	745	188			1.96	5.3	3.00	890	157			1.64	5.0	3.20	1028	136			1.42	4.8	3.30	420	333			3.48	4.0	1.20	472	296			3.09	4.3	1.35	529	264			2.76	4.2	1.50	589	237	2.48	4.1			1.65	679	206	2.15	4.0	1.80	756	185	1.93	3.9	1.90	913	153	1.60	3.8	2.00	1050	133	1.39	3.6	2.10	323	432	4.52	6.3	1.35	GRX89 GRXF89	4P	361	387	4.04	6.2	1.50	401	348	3.64	6.1	1.65	442	316	3.30	6.0	1.85	500	279			2.92	5.8	2.10	553	253			2.64	5.7	2.30	652	214			2.24	5.4	2.70	745	188			1.96	5.3	3.00	890	157			1.64	5.0	3.20	1028	136			1.42	4.8	3.30	420	333			3.48	4.0	1.20	472	296			3.09	4.3	1.35	529	264			2.76	4.2	1.50	589	237	2.48	4.1			1.65	679	206	2.15	4.0	1.80	756	185	1.93	3.9	1.90	913	153	1.60	3.8	2.00	1050	133	1.39	3.6	2.10																																																																																																																																																																																																																																																	
77	1775	19.04	57	4.00			31	4440	47.63	23	0.90			GR139 GRF139	4P	205	664	7.12					12	2.90	36			3763	40.37	23	1.10	41	3287	35.26			22	1.25	50	2749	29.49					21	1.50	47					2868	30.77	22					1.40	53	2571					27.58	21	1.60					59	2321	24.90			21	1.75	65	2108	22.62			20	1.95	73			1871	20.07	20			2.20	80	1697	18.21	19	2.40	93	1459	15.65	19	2.80	107	1273	13.66	18	3.20	281	485	5.20	17	3.70	GR139 GRF139	4P	235	579	6.21	12	3.10			85	1599	17.15	11	0.85	95	1437	15.42	11	0.90	109	1247	13.38	11	1.00	122	1117			11.98	11	1.05	147	927			9.94	10	1.20	160	853			9.15	10	1.35	177	767			8.23	10	1.45	204	666			7.14	10	1.55	228	596			6.39	10	1.65	275	495			5.31	9.1	1.75	224	624			6.52	16	1.80	GRX139 GRXF139	4P			281	497	5.19			8.0	1.35	249	562	5.87	12	2.35	277	505	5.28	12	2.65	339	412	4.31	10	2.80			372	376	3.93			6.0	3.50	429	325	3.40	5.9	4.15			487	287	3.00	5.9	4.90			564	248	2.59	6.5	5.20			638	219	2.29	6.1	5.35			281	497	5.19	8.0	1.35	314	445			4.65	7.8	1.50	348	402			4.20	7.7	2.00	383	365			3.81	7.5	2.20	432	323	3.38	7.3	2.50	476	294	3.07	7.2	2.80	553	253	2.64	6.9	3.20	635	220	2.30	6.7	3.70	749	187	1.95	6.4	4.00	854	164	1.71	6.1	4.20	1014	138	1.44	5.9	4.60	323	432	4.52	6.3	1.35	GRX109 GRXF109	4P	361	387	4.04	6.2	1.50			401	348	3.64	6.1	1.65	442	316	3.30	6.0	1.85	500	279	2.92	5.8	2.10	553	253			2.64	5.7	2.30	652	214			2.24	5.4	2.70	745	188			1.96	5.3	3.00	890	157			1.64	5.0	3.20	1028	136			1.42	4.8	3.30	420	333			3.48	4.0	1.20	472	296			3.09	4.3	1.35	529	264			2.76	4.2	1.50	589	237			2.48	4.1	1.65	679	206	2.15	4.0	1.80	756	185	1.93	3.9	1.90	913	153	1.60	3.8	2.00	1050	133	1.39	3.6	2.10	323	432	4.52	6.3	1.35	GRX99 GRXF99	4P	361	387	4.04	6.2	1.50			401	348	3.64	6.1	1.65	442	316	3.30	6.0	1.85	500	279	2.92	5.8	2.10	553	253			2.64	5.7	2.30	652	214			2.24	5.4	2.70	745	188			1.96	5.3	3.00	890	157			1.64	5.0	3.20	1028	136			1.42	4.8	3.30	420	333			3.48	4.0	1.20	472	296			3.09	4.3	1.35	529	264			2.76	4.2	1.50	589	237			2.48	4.1	1.65	679	206	2.15	4.0	1.80	756	185	1.93	3.9	1.90	913	153	1.60	3.8	2.00	1050	133	1.39	3.6	2.10	323	432	4.52	6.3	1.35	GRX89 GRXF89	4P	361	387	4.04	6.2	1.50			401	348	3.64	6.1	1.65	442	316	3.30	6.0	1.85	500	279	2.92	5.8	2.10	553	253			2.64	5.7	2.30	652	214			2.24	5.4	2.70	745	188			1.96	5.3	3.00	890	157			1.64	5.0	3.20	1028	136			1.42	4.8	3.30	420	333			3.48	4.0	1.20	472	296			3.09	4.3	1.35	529	264			2.76	4.2	1.50	589	237			2.48	4.1	1.65	679	206	2.15	4.0	1.80	756	185	1.93	3.9	1.90	913	153	1.60	3.8	2.00	1050	133	1.39	3.6	2.10																																																																																																																																																																																																																																																								
31	4440	47.63	23	0.90			GR139 GRF139	4P	205	664	7.12					12	2.90																																																																																																																																																																																																																																																																																																																																																																																																																																																																																																																																																																																																																																																																																																																																																																																																																																																																																																																							
36	3763	40.37	23	1.10					41	3287	35.26					22	1.25	50					2749	29.49	21			1.50	47	2868	30.77	22	1.40	53			2571	27.58	21	1.60	59					2321	24.90	21					1.75	65	2108					22.62	20	1.95	73	1871			20.07	20	2.20	80	1697			18.21	19	2.40			93	1459	15.65	19	2.80			107	1273	13.66	18	3.20	281	485	5.20	17	3.70	GR139 GRF139	4P	235	579	6.21	12	3.10	85	1599	17.15	11	0.85	95	1437	15.42	11	0.90	109	1247	13.38	11			1.00	122	1117	11.98	11			1.05	147	927	9.94	10	1.20	160	853	9.15	10	1.35	177	767	8.23	10	1.45	204			666	7.14	10	1.55	228			596	6.39	10	1.65	275			495	5.31	9.1	1.75	224			624	6.52	16	1.80	GRX139 GRXF139			4P	281	497	5.19	8.0			1.35	249	562	5.87	12			2.35	277	505	5.28	12	2.65	339	412	4.31	10			2.80	372	376	3.93	6.0			3.50	429	325	3.40	5.9	4.15	487	287	3.00	5.9	4.90	564	248	2.59	6.5	5.20	638			219	2.29	6.1			5.35	281	497	5.19	8.0	1.35	314			445	4.65	7.8	1.50	348			402	4.20	7.7	2.00	383			365	3.81	7.5	2.20	432			323	3.38	7.3	2.50	476	294	3.07			7.2	2.80	553	253	2.64	6.9	3.20	635	220	2.30	6.7	3.70	749	187	1.95	6.4	4.00	854	164	1.71	6.1	4.20	1014	138	1.44	5.9	4.60	323	432	4.52	6.3	1.35	GRX109 GRXF109	4P	361	387	4.04	6.2	1.50	401	348	3.64	6.1	1.65	442	316	3.30	6.0	1.85	500	279	2.92	5.8	2.10	553	253	2.64			5.7	2.30	652	214	2.24			5.4	2.70	745	188	1.96	5.3	3.00	890	157	1.64	5.0	3.20	1028	136	1.42	4.8	3.30			420	333	3.48	4.0	1.20			472	296	3.09	4.3	1.35			529	264	2.76	4.2	1.50			589	237	2.48	4.1	1.65			679	206	2.15	4.0	1.80			756	185	1.93	3.9	1.90			913	153	1.60	3.8	2.00	1050	133	1.39	3.6	2.10	323	432	4.52	6.3	1.35	GRX99 GRXF99	4P	361	387	4.04	6.2	1.50	401	348	3.64	6.1	1.65	442	316	3.30	6.0	1.85	500	279	2.92	5.8	2.10	553	253	2.64	5.7	2.30			652	214	2.24	5.4	2.70			745	188	1.96	5.3	3.00	890	157	1.64	5.0	3.20	1028	136	1.42	4.8	3.30	420	333			3.48	4.0	1.20	472	296			3.09	4.3	1.35	529	264			2.76	4.2	1.50	589	237			2.48	4.1	1.65	679	206			2.15	4.0	1.80	756	185			1.93	3.9	1.90	913	153			1.60	3.8	2.00	1050	133	1.39	3.6	2.10	323	432	4.52	6.3	1.35	GRX89 GRXF89	4P	361	387	4.04	6.2	1.50	401	348	3.64	6.1	1.65	442	316	3.30	6.0	1.85	500	279	2.92	5.8	2.10	553	253	2.64	5.7	2.30	652	214			2.24	5.4	2.70	745	188			1.96	5.3	3.00	890	157	1.64	5.0	3.20	1028	136	1.42	4.8	3.30	420	333	3.48	4.0			1.20	472	296	3.09	4.3			1.35	529	264	2.76	4.2			1.50	589	237	2.48	4.1			1.65	679	206	2.15	4.0			1.80	756	185	1.93	3.9			1.90	913	153	1.60	3.8			2.00	1050	133	1.39	3.6	2.10																																																																																																																																																																																																																																																																																							
41	3287	35.26	22	1.25					50	2749	29.49					21	1.50	47					2868	30.77	22			1.40	53	2571	27.58	21	1.60	59			2321	24.90	21	1.75	65					2108	22.62	20					1.95	73	1871	20.07	20			2.20	80	1697	18.21	19			2.40	93	1459	15.65	19			2.80	107	1273			13.66	18	3.20	281	485	5.20	17	3.70	GR139 GRF139	4P	235	579	6.21	12	3.10	85	1599			17.15	11	0.85	95	1437	15.42	11	0.90	109	1247	13.38	11	1.00	122	1117	11.98	11	1.05	147			927	9.94	10	1.20	160			853	9.15	10	1.35	177	767	8.23	10	1.45	204	666	7.14	10	1.55	228	596	6.39			10	1.65	275	495	5.31			9.1	1.75	224	624	6.52			16	1.80	GRX139 GRXF139	4P	281			497	5.19	8.0	1.35					249	562	5.87	12			2.35	277	505	5.28	12	2.65	339	412	4.31	10	2.80	372	376	3.93	6.0	3.50	429			325	3.40	5.9	4.15	487			287	3.00	5.9	4.90	564	248	2.59	6.5	5.20	638	219	2.29	6.1	5.35	281	497	5.19			8.0	1.35	314			445	4.65	7.8	1.50	348	402	4.20			7.7	2.00	383	365	3.81			7.5	2.20	432	323	3.38			7.3	2.50	476	294	3.07			7.2	2.80	553	253	2.64	6.9	3.20	635	220	2.30	6.7	3.70	749	187	1.95	6.4	4.00	854	164	1.71	6.1	4.20	1014	138	1.44	5.9	4.60	323	432	4.52	6.3	1.35	GRX109 GRXF109	4P	361	387	4.04	6.2	1.50	401	348			3.64	6.1	1.65	442	316	3.30	6.0	1.85	500	279	2.92	5.8	2.10	553	253	2.64	5.7	2.30	652	214	2.24	5.4	2.70			745	188	1.96	5.3	3.00			890	157	1.64	5.0	3.20	1028	136	1.42	4.8	3.30	420	333	3.48	4.0	1.20	472	296			3.09	4.3	1.35	529	264			2.76	4.2	1.50	589	237			2.48	4.1	1.65	679	206			2.15	4.0	1.80	756	185			1.93	3.9	1.90	913	153			1.60	3.8	2.00	1050	133	1.39	3.6	2.10	323	432	4.52	6.3	1.35	GRX99 GRXF99	4P	361	387	4.04	6.2	1.50	401	348			3.64	6.1	1.65	442	316	3.30	6.0	1.85	500	279	2.92	5.8	2.10	553	253	2.64	5.7	2.30	652	214	2.24	5.4	2.70	745	188			1.96	5.3	3.00	890	157			1.64	5.0	3.20	1028	136	1.42	4.8	3.30	420	333	3.48	4.0	1.20	472	296	3.09	4.3			1.35	529	264	2.76	4.2			1.50	589	237	2.48	4.1			1.65	679	206	2.15	4.0			1.80	756	185	1.93	3.9			1.90	913	153	1.60	3.8			2.00	1050	133	1.39	3.6	2.10	323	432	4.52	6.3	1.35	GRX89 GRXF89	4P	361	387	4.04	6.2	1.50	401	348			3.64	6.1	1.65	442	316	3.30	6.0	1.85	500	279	2.92	5.8	2.10	553	253	2.64	5.7	2.30	652	214	2.24	5.4	2.70	745	188	1.96	5.3			3.00	890	157	1.64	5.0			3.20	1028	136	1.42	4.8	3.30	420	333	3.48	4.0	1.20	472	296	3.09	4.3	1.35	529			264	2.76	4.2	1.50	589			237	2.48	4.1	1.65	679			206	2.15	4.0	1.80	756			185	1.93	3.9	1.90	913			153	1.60	3.8	2.00	1050			133	1.39	3.6	2.10																																																																																																																																																																																																																																																																																																
50	2749	29.49	21	1.50					47	2868	30.77					22	1.40	53					2571	27.58	21			1.60	59	2321	24.90	21	1.75	65			2108	22.62	20	1.95	73					1871	20.07	20	2.20	80			1697	18.21	19	2.40	93			1459	15.65	19	2.80	107			1273	13.66	18	3.20	281			485	5.20	17	3.70	GR139 GRF139	4P	235	579	6.21	12	3.10	85	1599			17.15	11	0.85	95	1437	15.42	11			0.90	109	1247	13.38	11	1.00	122	1117	11.98	11	1.05	147	927	9.94	10	1.20	160	853	9.15			10	1.35	177	767	8.23			10	1.45	204	666	7.14	10	1.55	228	596	6.39	10	1.65	275	495	5.31	9.1	1.75			224	624	6.52	16	1.80			GRX139 GRXF139	4P	281	497	5.19			8.0	1.35			249			562	5.87	12	2.35					277	505	5.28	12	2.65	339	412	4.31	10	2.80	372	376	3.93	6.0	3.50	429	325	3.40	5.9	4.15	487	287	3.00			5.9	4.90	564	248	2.59			6.5	5.20	638	219	2.29	6.1	5.35	281	497	5.19	8.0	1.35	314	445	4.65	7.8	1.50			348	402	4.20			7.7	2.00	383	365	3.81	7.5	2.20			432	323	3.38	7.3	2.50			476	294	3.07	7.2	2.80			553	253	2.64	6.9	3.20	635	220	2.30	6.7	3.70	749	187	1.95	6.4	4.00	854	164	1.71	6.1	4.20	1014	138	1.44	5.9	4.60	323	432	4.52	6.3	1.35	GRX109 GRXF109	4P	361	387	4.04	6.2	1.50	401	348			3.64	6.1	1.65	442	316	3.30	6.0			1.85	500	279	2.92	5.8	2.10	553	253	2.64	5.7	2.30	652	214	2.24	5.4	2.70	745	188	1.96	5.3	3.00	890	157			1.64	5.0	3.20	1028	136			1.42	4.8	3.30	420	333	3.48	4.0	1.20	472	296	3.09	4.3	1.35	529	264	2.76	4.2			1.50	589	237	2.48	4.1			1.65	679	206	2.15	4.0			1.80	756	185	1.93	3.9			1.90	913	153	1.60	3.8			2.00	1050	133	1.39	3.6	2.10	323	432	4.52	6.3	1.35	GRX99 GRXF99	4P	361	387	4.04	6.2	1.50	401	348			3.64	6.1	1.65	442	316	3.30	6.0			1.85	500	279	2.92	5.8	2.10	553	253	2.64	5.7	2.30	652	214	2.24	5.4	2.70	745	188	1.96	5.3	3.00	890	157	1.64	5.0			3.20	1028	136	1.42	4.8			3.30	420	333	3.48	4.0	1.20	472	296	3.09	4.3	1.35	529	264	2.76	4.2	1.50	589			237	2.48	4.1	1.65	679			206	2.15	4.0	1.80	756			185	1.93	3.9	1.90	913			153	1.60	3.8	2.00	1050			133	1.39	3.6	2.10	323	432	4.52	6.3	1.35	GRX89 GRXF89	4P	361	387	4.04	6.2	1.50	401	348			3.64	6.1	1.65	442	316	3.30	6.0			1.85	500	279	2.92	5.8	2.10	553	253	2.64	5.7	2.30	652	214	2.24	5.4	2.70	745	188	1.96	5.3	3.00	890	157	1.64	5.0	3.20	1028			136	1.42	4.8	3.30	420			333	3.48	4.0	1.20	472	296	3.09	4.3	1.35	529	264	2.76	4.2	1.50	589	237	2.48			4.1	1.65	679	206	2.15			4.0	1.80	756	185	1.93			3.9	1.90	913	153	1.60			3.8	2.00	1050	133	1.39			3.6	2.10																																																																																																																																																																																																																																																																																																									
47	2868	30.77	22	1.40					53	2571	27.58					21	1.60	59					2321	24.90	21			1.75	65	2108	22.62	20	1.95	73			1871	20.07	20	2.20	80	1697	18.21			19	2.40	93	1459	15.65			19	2.80	107	1273	13.66			18	3.20	281	485	5.20			17	3.70	GR139 GRF139	4P	235	579	6.21	12	3.10	85	1599			17.15	11	0.85	95	1437	15.42	11			0.90	109	1247	13.38	11	1.00	122			1117	11.98	11	1.05	147	927	9.94	10	1.20	160	853	9.15	10	1.35	177	767	8.23	10	1.45			204	666	7.14	10	1.55			228	596	6.39	10	1.65	275	495	5.31	9.1	1.75	224	624	6.52	16	1.80	GRX139 GRXF139	4P			281	497	5.19	8.0	1.35					249	562	5.87			12	2.35			277			505	5.28	12	2.65		339	412		4.31	10	2.80	372	376	3.93	6.0	3.50	429	325	3.40	5.9	4.15	487	287	3.00	5.9	4.90	564	248	2.59	6.5	5.20			638	219	2.29	6.1	5.35			281	497	5.19	8.0	1.35	314	445	4.65	7.8	1.50	348	402	4.20	7.7	2.00	383	365			3.81	7.5	2.20			432	323	3.38	7.3	2.50	476	294			3.07	7.2	2.80	553	253			2.64	6.9	3.20	635	220	2.30	6.7	3.70	749	187	1.95	6.4	4.00	854	164	1.71	6.1	4.20	1014	138	1.44	5.9	4.60	323	432	4.52	6.3	1.35	GRX109 GRXF109	4P	361	387	4.04	6.2	1.50	401	348			3.64	6.1	1.65	442	316	3.30	6.0			1.85	500	279	2.92	5.8	2.10	553			253	2.64	5.7	2.30	652	214	2.24	5.4	2.70	745	188	1.96	5.3	3.00	890	157	1.64	5.0	3.20	1028	136	1.42	4.8			3.30	420	333	3.48	4.0			1.20	472	296	3.09	4.3	1.35	529	264	2.76	4.2	1.50	589	237	2.48	4.1	1.65	679			206	2.15	4.0	1.80	756			185	1.93	3.9	1.90	913			153	1.60	3.8	2.00	1050			133	1.39	3.6	2.10	323	432	4.52	6.3	1.35	GRX99 GRXF99	4P	361	387	4.04	6.2	1.50	401	348			3.64	6.1	1.65	442	316	3.30	6.0			1.85	500	279	2.92	5.8	2.10	553			253	2.64	5.7	2.30	652	214	2.24	5.4	2.70	745	188	1.96	5.3	3.00	890	157	1.64	5.0	3.20	1028	136	1.42	4.8	3.30	420			333	3.48	4.0	1.20	472			296	3.09	4.3	1.35	529	264	2.76	4.2	1.50	589	237	2.48	4.1	1.65	679	206	2.15			4.0	1.80	756	185	1.93			3.9	1.90	913	153	1.60			3.8	2.00	1050	133	1.39			3.6	2.10	323	432	4.52	6.3	1.35	GRX89 GRXF89	4P	361	387	4.04	6.2	1.50	401	348			3.64	6.1	1.65	442	316	3.30	6.0			1.85	500	279	2.92	5.8	2.10	553			253	2.64	5.7	2.30	652	214	2.24	5.4	2.70	745	188	1.96	5.3	3.00	890	157	1.64	5.0	3.20	1028	136	1.42	4.8	3.30	420	333	3.48			4.0	1.20	472	296	3.09			4.3	1.35	529	264	2.76	4.2	1.50	589	237	2.48	4.1	1.65	679	206	2.15	4.0	1.80			756	185	1.93	3.9	1.90			913	153	1.60	3.8	2.00			1050	133	1.39	3.6	2.10																																																																																																																																																																																																																																																																																																																				
53	2571	27.58	21	1.60					59	2321	24.90					21	1.75	65					2108	22.62	20			1.95	73	1871	20.07	20	2.20	80	1697	18.21	19	2.40	93	1459	15.65	19	2.80			107	1273	13.66	18	3.20			281	485	5.20	17	3.70			GR139 GRF139	4P	235	579	6.21	12	3.10	85	1599			17.15	11	0.85	95	1437	15.42	11			0.90	109	1247	13.38	11	1.00	122			1117	11.98	11	1.05	147	927	9.94			10	1.20	160	853	9.15	10	1.35	177	767	8.23	10	1.45	204	666	7.14	10	1.55	228	596			6.39	10	1.65	275	495			5.31	9.1	1.75	224	624	6.52	16	1.80	GRX139 GRXF139	4P	281	497	5.19	8.0	1.35					249	562	5.87	12	2.35					277	505	5.28			12	2.65			339	412	4.31	10	2.80	372	376		3.93	6.0		3.50	429	325	3.40	5.9	4.15	487	287	3.00	5.9	4.90	564	248	2.59	6.5	5.20	638	219	2.29	6.1	5.35	281	497			5.19	8.0	1.35	314	445			4.65	7.8	1.50	348	402	4.20	7.7	2.00	383	365	3.81	7.5	2.20	432	323	3.38	7.3			2.50	476	294			3.07	7.2	2.80	553	253	2.64	6.9			3.20	635	220	2.30	6.7	3.70	749	187	1.95	6.4	4.00	854	164	1.71	6.1	4.20	1014	138	1.44	5.9	4.60	323	432	4.52	6.3	1.35	GRX109 GRXF109	4P	361	387	4.04	6.2	1.50	401	348			3.64	6.1	1.65	442	316	3.30	6.0			1.85	500	279	2.92	5.8	2.10	553			253	2.64	5.7	2.30	652	214	2.24			5.4	2.70	745	188	1.96	5.3	3.00	890	157	1.64	5.0	3.20	1028	136	1.42	4.8	3.30	420	333	3.48	4.0	1.20	472			296	3.09	4.3	1.35	529			264	2.76	4.2	1.50	589	237	2.48	4.1	1.65	679	206	2.15	4.0	1.80	756	185	1.93			3.9	1.90	913	153	1.60			3.8	2.00	1050	133	1.39			3.6	2.10	323	432	4.52	6.3	1.35	GRX99 GRXF99	4P	361	387	4.04	6.2	1.50	401	348			3.64	6.1	1.65	442	316	3.30	6.0			1.85	500	279	2.92	5.8	2.10	553			253	2.64	5.7	2.30	652	214	2.24			5.4	2.70	745	188	1.96	5.3	3.00	890	157	1.64	5.0	3.20	1028	136	1.42	4.8	3.30	420	333	3.48	4.0	1.20	472	296	3.09			4.3	1.35	529	264	2.76			4.2	1.50	589	237	2.48	4.1	1.65	679	206	2.15	4.0	1.80	756	185	1.93	3.9	1.90			913	153	1.60	3.8	2.00			1050	133	1.39	3.6	2.10			323	432	4.52	6.3	1.35	GRX89 GRXF89	4P	361	387	4.04	6.2	1.50	401	348			3.64	6.1	1.65	442	316	3.30	6.0			1.85	500	279	2.92	5.8	2.10	553			253	2.64	5.7	2.30	652	214	2.24			5.4	2.70	745	188	1.96	5.3	3.00	890	157	1.64	5.0	3.20	1028	136	1.42	4.8	3.30	420	333	3.48	4.0	1.20	472	296	3.09	4.3	1.35			529	264	2.76	4.2	1.50			589	237	2.48	4.1	1.65	679	206	2.15	4.0	1.80	756	185	1.93	3.9	1.90	913	153			1.60	3.8	2.00	1050	133			1.39	3.6	2.10																																																																																																																																																																																																																																																																																																																													
59	2321	24.90	21	1.75					65	2108	22.62					20	1.95	73					1871	20.07	20	2.20	80	1697	18.21	19	2.40	93	1459	15.65	19	2.80	107	1273	13.66	18	3.20	281	485			5.20	17	3.70	GR139 GRF139	4P			235	579	6.21	12	3.10	85	1599			17.15	11	0.85	95	1437	15.42	11			0.90	109	1247	13.38	11	1.00	122			1117	11.98	11	1.05	147	927	9.94			10	1.20	160	853	9.15	10	1.35			177	767	8.23	10	1.45	204	666	7.14	10	1.55	228	596	6.39	10	1.65	275	495	5.31	9.1			1.75	224	624	6.52	16			1.80	GRX139 GRXF139	4P	281	497	5.19	8.0	1.35			249	562	5.87	12	2.35					277	505	5.28	12	2.65					339	412	4.31	10	2.80	372	376			3.93	6.0	3.50	429	325	3.40	5.9		4.15	487		287	3.00	5.9	4.90	564	248	2.59	6.5	5.20	638	219	2.29	6.1	5.35	281	497	5.19	8.0	1.35	314	445	4.65	7.8			1.50	348	402	4.20	7.7			2.00	383	365	3.81	7.5	2.20	432	323	3.38	7.3	2.50	476	294	3.07	7.2	2.80	553			253	2.64	6.9			3.20	635	220	2.30	6.7	3.70	749	187	1.95	6.4	4.00	854	164	1.71	6.1	4.20	1014	138	1.44	5.9	4.60	323	432	4.52	6.3	1.35	GRX109 GRXF109	4P	361	387	4.04	6.2	1.50	401	348			3.64	6.1	1.65	442	316	3.30	6.0			1.85	500	279	2.92	5.8	2.10	553			253	2.64	5.7	2.30	652	214	2.24			5.4	2.70	745	188	1.96	5.3	3.00			890	157	1.64	5.0	3.20	1028	136	1.42	4.8	3.30	420	333	3.48	4.0	1.20	472	296	3.09	4.3	1.35	529	264	2.76			4.2	1.50	589	237	2.48			4.1	1.65	679	206	2.15	4.0	1.80	756	185	1.93	3.9	1.90	913	153	1.60	3.8	2.00			1050	133	1.39	3.6	2.10			323	432	4.52	6.3	1.35	GRX99 GRXF99	4P	361	387	4.04	6.2	1.50	401	348			3.64	6.1	1.65	442	316	3.30	6.0			1.85	500	279	2.92	5.8	2.10	553			253	2.64	5.7	2.30	652	214	2.24			5.4	2.70	745	188	1.96	5.3	3.00			890	157	1.64	5.0	3.20	1028	136	1.42	4.8	3.30	420	333	3.48	4.0	1.20	472	296	3.09	4.3	1.35	529	264	2.76	4.2	1.50			589	237	2.48	4.1	1.65			679	206	2.15	4.0	1.80	756	185	1.93	3.9	1.90	913	153	1.60	3.8	2.00	1050	133			1.39	3.6	2.10	323	432			4.52	6.3	1.35	GRX89 GRXF89	4P	361	387	4.04	6.2	1.50	401	348			3.64	6.1	1.65	442	316	3.30	6.0			1.85	500	279	2.92	5.8	2.10	553			253	2.64	5.7	2.30	652	214	2.24			5.4	2.70	745	188	1.96	5.3	3.00			890	157	1.64	5.0	3.20	1028	136	1.42	4.8	3.30	420	333	3.48	4.0	1.20	472	296	3.09	4.3	1.35	529	264	2.76	4.2	1.50	589	237			2.48	4.1	1.65	679	206			2.15	4.0	1.80	756	185	1.93	3.9	1.90	913	153	1.60	3.8	2.00	1050	133	1.39	3.6			2.10																																																																																																																																																																																																																																																																																																																																						
65	2108	22.62	20	1.95					73	1871	20.07					20	2.20	80	1697	18.21			19	2.40	93	1459	15.65	19	2.80	107	1273	13.66	18	3.20	281	485	5.20	17	3.70	GR139 GRF139	4P	235	579			6.21	12	3.10			85	1599	17.15	11	0.85	95	1437	15.42	11			0.90	109	1247	13.38	11	1.00	122			1117	11.98	11	1.05	147	927	9.94			10	1.20	160	853	9.15	10	1.35			177	767	8.23	10	1.45	204	666			7.14	10	1.55	228	596	6.39	10	1.65	275	495	5.31	9.1	1.75	224	624	6.52	16	1.80	GRX139 GRXF139			4P	281	497	5.19	8.0			1.35			249	562	5.87	12	2.35			277	505	5.28	12	2.65					339	412	4.31	10	2.80	372	376			3.93	6.0	3.50	429	325	3.40	5.9			4.15	487	287	3.00	5.9	4.90	564		248	2.59		6.5	5.20	638	219	2.29	6.1	5.35	281	497	5.19	8.0	1.35	314	445	4.65	7.8	1.50	348	402	4.20	7.7	2.00	383			365	3.81	7.5	2.20	432			323	3.38	7.3	2.50	476	294	3.07	7.2	2.80	553	253	2.64	6.9	3.20	635	220	2.30			6.7	3.70	749	187	1.95	6.4	4.00	854	164	1.71	6.1	4.20	1014	138	1.44	5.9	4.60	323	432	4.52	6.3	1.35	GRX109 GRXF109	4P	361	387	4.04	6.2	1.50	401	348			3.64	6.1	1.65	442	316	3.30	6.0			1.85	500	279	2.92	5.8	2.10	553			253	2.64	5.7	2.30	652	214	2.24			5.4	2.70	745	188	1.96	5.3	3.00			890	157	1.64	5.0	3.20	1028	136			1.42	4.8	3.30	420	333	3.48	4.0	1.20	472	296	3.09	4.3	1.35	529	264	2.76	4.2	1.50	589	237	2.48	4.1	1.65			679	206	2.15	4.0	1.80			756	185	1.93	3.9	1.90	913	153	1.60	3.8	2.00	1050	133	1.39	3.6	2.10	323	432			4.52	6.3	1.35	GRX99 GRXF99	4P	361	387	4.04	6.2	1.50	401	348			3.64	6.1	1.65	442	316	3.30	6.0			1.85	500	279	2.92	5.8	2.10	553			253	2.64	5.7	2.30	652	214	2.24			5.4	2.70	745	188	1.96	5.3	3.00			890	157	1.64	5.0	3.20	1028	136			1.42	4.8	3.30	420	333	3.48	4.0	1.20	472	296	3.09	4.3	1.35	529	264	2.76	4.2	1.50	589	237	2.48	4.1	1.65	679	206			2.15	4.0	1.80	756	185			1.93	3.9	1.90	913	153	1.60	3.8	2.00	1050	133	1.39	3.6	2.10	323	432	4.52	6.3			1.35	GRX89 GRXF89	4P	361	387	4.04	6.2	1.50	401	348			3.64	6.1	1.65	442	316	3.30	6.0			1.85	500	279	2.92	5.8	2.10	553			253	2.64	5.7	2.30	652	214	2.24			5.4	2.70	745	188	1.96	5.3	3.00			890	157	1.64	5.0	3.20	1028	136			1.42	4.8	3.30	420	333	3.48	4.0	1.20	472	296	3.09	4.3	1.35	529	264	2.76	4.2	1.50	589	237	2.48	4.1	1.65	679	206	2.15	4.0			1.80	756	185	1.93	3.9			1.90	913	153	1.60	3.8	2.00	1050	133	1.39	3.6	2.10																																																																																																																																																																																																																																																																																																																																															
73	1871	20.07	20	2.20					80	1697	18.21	19	2.40			93	1459	15.65	19	2.80			107	1273	13.66	18	3.20	281	485	5.20	17	3.70	GR139 GRF139	4P	235	579	6.21	12	3.10			85	1599	17.15	11	0.85	95	1437			15.42	11	0.90	109	1247	13.38	11	1.00	122			1117	11.98	11	1.05	147	927	9.94			10	1.20	160	853	9.15	10	1.35			177	767	8.23	10	1.45	204	666			7.14	10	1.55	228	596	6.39	10			1.65	275	495	5.31	9.1	1.75	224	624	6.52	16	1.80	GRX139 GRXF139	4P	281	497	5.19	8.0	1.35					249	562	5.87	12			2.35			277	505	5.28	12	2.65			339	412	4.31	10	2.80			372	376	3.93	6.0	3.50	429	325	3.40	5.9			4.15	487	287	3.00	5.9	4.90	564			248	2.59	6.5	5.20	638	219	2.29		6.1	5.35		281	497	5.19	8.0	1.35	314	445	4.65	7.8	1.50	348	402	4.20	7.7	2.00	383	365	3.81	7.5	2.20	432	323	3.38			7.3	2.50	476	294	3.07			7.2	2.80	553	253	2.64	6.9	3.20	635	220	2.30	6.7	3.70	749	187	1.95	6.4	4.00	854	164	1.71	6.1	4.20	1014	138	1.44	5.9	4.60	323	432	4.52	6.3	1.35	GRX109 GRXF109	4P	361	387	4.04	6.2	1.50	401	348			3.64	6.1	1.65	442	316	3.30	6.0			1.85	500	279	2.92	5.8	2.10	553			253	2.64	5.7	2.30	652	214	2.24			5.4	2.70	745	188	1.96	5.3	3.00			890	157	1.64	5.0	3.20	1028	136			1.42	4.8	3.30	420	333	3.48	4.0			1.20	472	296	3.09	4.3	1.35	529	264	2.76	4.2	1.50	589	237	2.48	4.1	1.65	679	206	2.15	4.0	1.80	756	185			1.93	3.9	1.90	913	153			1.60	3.8	2.00	1050	133	1.39	3.6	2.10	323	432	4.52	6.3	1.35	GRX99 GRXF99	4P	361	387	4.04	6.2	1.50	401	348			3.64	6.1	1.65	442	316	3.30	6.0			1.85	500	279	2.92	5.8	2.10	553			253	2.64	5.7	2.30	652	214	2.24			5.4	2.70	745	188	1.96	5.3	3.00			890	157	1.64	5.0	3.20	1028	136			1.42	4.8	3.30	420	333	3.48	4.0			1.20	472	296	3.09	4.3	1.35	529	264	2.76	4.2	1.50	589	237	2.48	4.1	1.65	679	206	2.15	4.0	1.80	756	185	1.93	3.9			1.90	913	153	1.60	3.8			2.00	1050	133	1.39	3.6	2.10	323	432	4.52	6.3	1.35	GRX89 GRXF89	4P	361	387	4.04	6.2	1.50	401	348			3.64	6.1	1.65	442	316	3.30	6.0			1.85	500	279	2.92	5.8	2.10	553			253	2.64	5.7	2.30	652	214	2.24			5.4	2.70	745	188	1.96	5.3	3.00			890	157	1.64	5.0	3.20	1028	136			1.42	4.8	3.30	420	333	3.48	4.0			1.20	472	296	3.09	4.3	1.35	529	264	2.76	4.2	1.50	589	237	2.48	4.1	1.65	679	206	2.15	4.0	1.80	756	185	1.93	3.9	1.90	913			153	1.60	3.8	2.00	1050			133	1.39	3.6	2.10																																																																																																																																																																																																																																																																																																																																																						
80	1697	18.21	19	2.40	93	1459			15.65	19	2.80	107	1273			13.66	18	3.20	281	485			5.20	17	3.70	GR139 GRF139	4P	235	579	6.21	12	3.10			85	1599	17.15	11	0.85			95	1437	15.42	11	0.90	109	1247			13.38	11	1.00	122	1117	11.98	11	1.05	147			927	9.94	10	1.20	160	853	9.15			10	1.35	177	767	8.23	10	1.45			204	666	7.14	10	1.55	228	596			6.39	10	1.65	275	495	5.31	9.1			1.75	224	624	6.52	16	1.80	GRX139 GRXF139	4P	281	497	5.19			8.0	1.35	249	562	5.87					12	2.35	277	505			5.28			12	2.65	339	412	4.31			10	2.80	372	376	3.93			6.0	3.50	429	325	3.40	5.9	4.15	487	287			3.00	5.9	4.90	564	248	2.59	6.5			5.20	638	219	2.29	6.1	5.35	281		497	5.19		8.0	1.35	314	445	4.65	7.8	1.50	348	402	4.20	7.7	2.00	383	365	3.81	7.5	2.20	432	323	3.38	7.3	2.50	476			294	3.07	7.2	2.80	553			253	2.64	6.9	3.20	635	220	2.30	6.7	3.70	749	187	1.95	6.4	4.00	854	164	1.71	6.1	4.20	1014	138	1.44	5.9	4.60	323	432	4.52	6.3	1.35	GRX109 GRXF109	4P	361			387	4.04	6.2	1.50	401	348	3.64			6.1	1.65	442	316	3.30	6.0	1.85			500	279	2.92	5.8	2.10	553	253			2.64	5.7	2.30	652	214	2.24	5.4			2.70	745	188	1.96	5.3	3.00	890			157	1.64	5.0	3.20	1028	136	1.42			4.8	3.30	420	333	3.48	4.0	1.20			472	296	3.09	4.3	1.35	529	264	2.76	4.2	1.50	589	237	2.48	4.1	1.65	679	206	2.15	4.0	1.80	756	185	1.93			3.9	1.90	913	153	1.60			3.8	2.00	1050	133	1.39	3.6	2.10	323	432	4.52	6.3	1.35	GRX99 GRXF99			4P	361	387	4.04	6.2	1.50	401			348	3.64	6.1	1.65	442	316	3.30			6.0	1.85	500	279	2.92	5.8	2.10			553	253	2.64	5.7	2.30	652	214			2.24	5.4	2.70	745	188	1.96	5.3			3.00	890	157	1.64	5.0	3.20	1028			136	1.42	4.8	3.30	420	333	3.48			4.0	1.20	472	296	3.09	4.3	1.35	529	264	2.76	4.2	1.50	589	237	2.48	4.1	1.65	679	206	2.15	4.0	1.80	756	185	1.93			3.9	1.90	913	153	1.60			3.8	2.00	1050	133	1.39	3.6	2.10	323	432	4.52	6.3			1.35	GRX89 GRXF89	4P	361	387	4.04	6.2			1.50	401	348	3.64	6.1	1.65	442			316	3.30	6.0	1.85	500	279	2.92			5.8	2.10	553	253	2.64	5.7	2.30			652	214	2.24	5.4	2.70	745	188			1.96	5.3	3.00	890	157	1.64	5.0			3.20	1028	136	1.42	4.8	3.30	420			333	3.48	4.0	1.20	472	296	3.09	4.3	1.35	529	264	2.76	4.2	1.50	589	237	2.48	4.1	1.65	679	206	2.15	4.0	1.80	756	185	1.93			3.9	1.90	913	153	1.60			3.8	2.00	1050	133	1.39	3.6	2.10																																																																																																																																																																																																																																																																																																																																																			
93	1459	15.65	19	2.80	107	1273			13.66	18	3.20	281	485			5.20	17	3.70	GR139 GRF139	4P	235	579	6.21	12	3.10			85	1599	17.15	11	0.85			95	1437	15.42	11	0.90			109	1247	13.38	11	1.00	122	1117			11.98	11	1.05	147	927	9.94	10	1.20	160			853	9.15	10	1.35	177	767	8.23			10	1.45	204	666	7.14	10	1.55			228	596	6.39	10	1.65	275	495			5.31	9.1	1.75	224	624	6.52	16			1.80	GRX139 GRXF139	4P	281	497	5.19			8.0	1.35	249			562	5.87	12	2.35	277					505	5.28	12	2.65	339	412	4.31			10	2.80	372	376	3.93			6.0	3.50	429	325	3.40			5.9	4.15	487	287	3.00	5.9	4.90	564	248			2.59	6.5	5.20	638	219	2.29	6.1			5.35	281	497	5.19	8.0	1.35	314		445	4.65		7.8	1.50	348	402	4.20	7.7	2.00	383	365	3.81	7.5	2.20	432	323	3.38	7.3	2.50	476	294	3.07	7.2	2.80	553			253	2.64	6.9	3.20	635	220	2.30	6.7	3.70	749	187	1.95	6.4	4.00	854	164	1.71	6.1	4.20	1014	138	1.44	5.9	4.60	323	432	4.52	6.3	1.35	GRX109 GRXF109	4P	361	387	4.04	6.2	1.50			401			348	3.64	6.1	1.65	442	316	3.30			6.0	1.85	500	279	2.92	5.8	2.10			553	253	2.64	5.7	2.30	652	214			2.24	5.4	2.70	745	188	1.96	5.3			3.00	890	157	1.64	5.0	3.20	1028			136	1.42	4.8	3.30	420	333	3.48			4.0	1.20	472	296	3.09	4.3	1.35			529	264	2.76	4.2	1.50	589	237	2.48	4.1	1.65	679	206	2.15	4.0	1.80	756	185	1.93	3.9	1.90	913	153	1.60			3.8	2.00	1050	133	1.39	3.6	2.10	323	432	4.52	6.3	1.35	GRX99 GRXF99	4P	361	387	4.04	6.2	1.50					401	348	3.64	6.1	1.65	442			316	3.30	6.0	1.85	500	279	2.92			5.8	2.10	553	253	2.64	5.7	2.30			652	214	2.24	5.4	2.70	745	188			1.96	5.3	3.00	890	157	1.64	5.0			3.20	1028	136	1.42	4.8	3.30	420			333	3.48	4.0	1.20	472	296	3.09			4.3	1.35	529	264	2.76	4.2	1.50	589	237	2.48	4.1	1.65	679	206	2.15	4.0	1.80	756	185	1.93	3.9	1.90	913	153	1.60			3.8	2.00	1050	133	1.39	3.6	2.10	323	432	4.52	6.3	1.35	GRX89 GRXF89	4P	361	387	4.04	6.2			1.50			401	348	3.64	6.1			1.65	442	316	3.30	6.0	1.85	500			279	2.92	5.8	2.10	553	253	2.64			5.7	2.30	652	214	2.24	5.4	2.70			745	188	1.96	5.3	3.00	890	157			1.64	5.0	3.20	1028	136	1.42	4.8			3.30	420	333	3.48	4.0	1.20	472			296	3.09	4.3	1.35	529	264	2.76	4.2	1.50	589	237	2.48	4.1	1.65	679	206	2.15	4.0	1.80	756	185	1.93	3.9	1.90	913	153	1.60			3.8	2.00	1050	133	1.39	3.6	2.10																																																																																																																																																																																																																																																																																																																																																										
107	1273	13.66	18	3.20	281	485			5.20	17	3.70	GR139 GRF139	4P	235	579	6.21	12	3.10			85	1599	17.15	11	0.85			95	1437	15.42	11	0.90			109	1247	13.38	11	1.00			122	1117	11.98	11	1.05	147	927			9.94	10	1.20	160	853	9.15	10	1.35	177			767	8.23	10	1.45	204	666	7.14			10	1.55	228	596	6.39	10	1.65			275	495	5.31	9.1	1.75	224	624			6.52	16	1.80	GRX139 GRXF139	4P	281	497			5.19			8.0	1.35	249			562	5.87	12			2.35	277	505	5.28	12		2.65	339		412	4.31	10	2.80	372	376	3.93			6.0	3.50	429	325	3.40			5.9	4.15	487	287	3.00			5.9	4.90	564	248	2.59	6.5	5.20	638	219			2.29	6.1	5.35	281	497	5.19	8.0			1.35	314	445	4.65	7.8	1.50	348		402	4.20		7.7	2.00	383	365	3.81	7.5	2.20	432	323	3.38	7.3	2.50	476	294	3.07	7.2	2.80	553	253	2.64	6.9	3.20	635	220	2.30	6.7	3.70	749	187	1.95	6.4	4.00	854	164	1.71	6.1	4.20	1014	138	1.44	5.9	4.60	323	432	4.52	6.3	1.35	GRX109 GRXF109	4P	361	387	4.04	6.2	1.50			401	348	3.64	6.1	1.65			442			316	3.30	6.0	1.85	500	279	2.92			5.8	2.10	553	253	2.64	5.7	2.30			652	214	2.24	5.4	2.70	745	188			1.96	5.3	3.00	890	157	1.64	5.0			3.20	1028	136	1.42	4.8	3.30	420			333	3.48	4.0	1.20	472	296	3.09			4.3	1.35	529	264	2.76	4.2	1.50			589	237	2.48	4.1	1.65	679	206	2.15	4.0	1.80	756	185	1.93	3.9	1.90	913	153	1.60	3.8	2.00	1050	133	1.39	3.6	2.10	323	432	4.52	6.3	1.35	GRX99 GRXF99	4P	361	387	4.04	6.2	1.50			401	348	3.64	6.1	1.65					442	316	3.30	6.0	1.85	500			279	2.92	5.8	2.10	553	253	2.64			5.7	2.30	652	214	2.24	5.4	2.70			745	188	1.96	5.3	3.00	890	157			1.64	5.0	3.20	1028	136	1.42	4.8			3.30	420	333	3.48	4.0	1.20	472			296	3.09	4.3	1.35	529	264	2.76			4.2	1.50	589	237	2.48	4.1	1.65	679	206	2.15	4.0	1.80	756	185	1.93	3.9	1.90	913	153	1.60	3.8	2.00	1050	133	1.39	3.6	2.10	323	432	4.52	6.3	1.35	GRX89 GRXF89	4P	361	387	4.04	6.2	1.50			401	348	3.64	6.1			1.65			442	316	3.30	6.0			1.85	500	279	2.92	5.8	2.10	553			253	2.64	5.7	2.30	652	214	2.24			5.4	2.70	745	188	1.96	5.3	3.00			890	157	1.64	5.0	3.20	1028	136			1.42	4.8	3.30	420	333	3.48	4.0			1.20	472	296	3.09	4.3	1.35	529			264	2.76	4.2	1.50	589	237	2.48	4.1	1.65	679	206	2.15	4.0	1.80	756	185	1.93	3.9	1.90	913	153	1.60	3.8	2.00	1050	133	1.39	3.6	2.10																																																																																																																																																																																																																																																																																																																																																																	
281	485	5.20	17	3.70	GR139 GRF139	4P	235	579	6.21	12	3.10																																																																																																																																																																																																																																																																																																																																																																																																																																																																																																																																																																																																																																																																																																																																																																																																																																																																																																																													
85	1599	17.15	11	0.85			95	1437	15.42	11	0.90			109	1247	13.38	11	1.00			122	1117	11.98	11	1.05			147	927	9.94	10	1.20			160	853	9.15	10	1.35			177	767	8.23	10	1.45	204	666			7.14	10	1.55	228	596	6.39	10	1.65	275			495	5.31	9.1	1.75	224	624	6.52			16	1.80	GRX139 GRXF139	4P	281	497	5.19			8.0	1.35	249	562	5.87	12	2.35			277	505	5.28			12	2.65	339	412	4.31			10	2.80	372			376	3.93	6.0			3.50	429	325	3.40	5.9		4.15	487		287	3.00	5.9	4.90	564	248	2.59			6.5	5.20	638	219	2.29			6.1	5.35	281	497	5.19			8.0	1.35	314	445	4.65	7.8	1.50	348	402			4.20	7.7	2.00	383	365	3.81	7.5			2.20	432	323	3.38	7.3	2.50	476	294	3.07	7.2	2.80	553	253	2.64	6.9	3.20	635	220	2.30	6.7	3.70	749	187	1.95	6.4	4.00	854	164	1.71	6.1	4.20	1014	138	1.44	5.9	4.60	323	432	4.52	6.3	1.35	GRX109 GRXF109	4P	361	387	4.04	6.2	1.50	401	348	3.64	6.1	1.65	442	316	3.30	6.0	1.85			500	279	2.92	5.8	2.10			553	253	2.64	5.7	2.30			652			214	2.24	5.4	2.70	745	188	1.96			5.3	3.00	890	157	1.64	5.0	3.20			1028	136	1.42	4.8	3.30	420	333			3.48	4.0	1.20	472	296	3.09	4.3			1.35	529	264	2.76	4.2	1.50	589			237	2.48	4.1	1.65	679	206	2.15			4.0	1.80	756	185	1.93	3.9	1.90	913	153	1.60	3.8	2.00	1050	133	1.39	3.6	2.10	323	432	4.52	6.3	1.35	GRX99 GRXF99	4P	361	387	4.04	6.2	1.50	401	348	3.64	6.1	1.65	442	316	3.30	6.0	1.85			500	279	2.92	5.8	2.10			553	253	2.64	5.7	2.30					652	214	2.24	5.4	2.70	745			188	1.96	5.3	3.00	890	157	1.64			5.0	3.20	1028	136	1.42	4.8	3.30			420	333	3.48	4.0	1.20	472	296			3.09	4.3	1.35	529	264	2.76	4.2			1.50	589	237	2.48	4.1	1.65	679			206	2.15	4.0	1.80	756	185	1.93	3.9	1.90	913	153	1.60	3.8	2.00	1050	133	1.39	3.6	2.10	323	432	4.52	6.3	1.35	GRX89 GRXF89	4P	361	387	4.04	6.2	1.50	401	348	3.64	6.1	1.65	442	316	3.30	6.0	1.85			500	279	2.92	5.8	2.10			553	253	2.64	5.7			2.30			652	214	2.24	5.4			2.70	745	188	1.96	5.3	3.00	890			157	1.64	5.0	3.20	1028	136	1.42			4.8	3.30	420	333	3.48	4.0	1.20			472	296	3.09	4.3	1.35	529	264			2.76	4.2	1.50	589	237	2.48	4.1			1.65	679	206	2.15	4.0	1.80	756	185	1.93	3.9	1.90	913	153	1.60	3.8	2.00	1050	133	1.39	3.6	2.10																																																																																																																																																																																																																																																																																																																																																																																		
95	1437	15.42	11	0.90			109	1247	13.38	11	1.00			122	1117	11.98	11	1.05			147	927	9.94	10	1.20			160	853	9.15	10	1.35			177	767	8.23	10	1.45			204	666	7.14	10	1.55	228	596			6.39	10	1.65	275	495	5.31	9.1	1.75	224			624	6.52	16	1.80	GRX139 GRXF139	4P	281			497	5.19			8.0	1.35	249			562	5.87	12	2.35	277	505	5.28	12	2.65	339	412	4.31			10	2.80	372	376	3.93			6.0	3.50	429			325	3.40	5.9			4.15	487	287	3.00	5.9		4.90	564		248	2.59	6.5	5.20	638	219	2.29			6.1	5.35	281	497	5.19			8.0	1.35	314	445	4.65			7.8	1.50	348	402	4.20	7.7	2.00	383	365			3.81	7.5	2.20	432	323	3.38	7.3	2.50	476	294	3.07	7.2	2.80	553	253	2.64	6.9	3.20	635	220	2.30	6.7	3.70	749	187	1.95	6.4	4.00	854	164	1.71	6.1	4.20	1014	138	1.44	5.9	4.60	323	432	4.52	6.3	1.35	GRX109 GRXF109	4P	361	387	4.04	6.2	1.50			401	348	3.64	6.1	1.65	442	316	3.30	6.0	1.85	500	279	2.92	5.8	2.10			553	253	2.64	5.7	2.30			652	214	2.24	5.4	2.70			745			188	1.96	5.3	3.00	890	157	1.64			5.0	3.20	1028	136	1.42	4.8	3.30			420	333	3.48	4.0	1.20	472	296			3.09	4.3	1.35	529	264	2.76	4.2			1.50	589	237	2.48	4.1	1.65	679			206	2.15	4.0	1.80	756	185	1.93	3.9	1.90	913	153	1.60	3.8	2.00	1050	133	1.39	3.6	2.10	323	432	4.52	6.3	1.35	GRX99 GRXF99	4P	361	387	4.04	6.2	1.50			401	348	3.64	6.1	1.65	442	316	3.30	6.0	1.85	500	279	2.92	5.8	2.10			553	253	2.64	5.7	2.30			652	214	2.24	5.4	2.70					745	188	1.96	5.3	3.00	890			157	1.64	5.0	3.20	1028	136	1.42			4.8	3.30	420	333	3.48	4.0	1.20			472	296	3.09	4.3	1.35	529	264			2.76	4.2	1.50	589	237	2.48	4.1			1.65	679	206	2.15	4.0	1.80	756	185	1.93	3.9	1.90	913	153	1.60	3.8	2.00	1050	133	1.39	3.6	2.10	323	432	4.52	6.3	1.35	GRX89 GRXF89	4P	361	387	4.04	6.2	1.50			401	348	3.64	6.1	1.65	442	316	3.30	6.0	1.85	500	279	2.92	5.8	2.10			553	253	2.64	5.7	2.30			652	214	2.24	5.4			2.70			745	188	1.96	5.3			3.00	890	157	1.64	5.0	3.20	1028			136	1.42	4.8	3.30	420	333	3.48			4.0	1.20	472	296	3.09	4.3	1.35			529	264	2.76	4.2	1.50	589	237			2.48	4.1	1.65	679	206	2.15	4.0	1.80	756	185	1.93	3.9	1.90	913	153	1.60	3.8	2.00	1050	133	1.39	3.6	2.10																																																																																																																																																																																																																																																																																																																																																																																									
109	1247	13.38	11	1.00			122	1117	11.98	11	1.05			147	927	9.94	10	1.20			160	853	9.15	10	1.35			177	767	8.23	10	1.45			204	666	7.14	10	1.55			228	596	6.39	10	1.65	275	495			5.31	9.1	1.75	224	624	6.52	16	1.80	GRX139 GRXF139			4P	281	497	5.19			8.0			1.35	249			562	5.87	12	2.35	277	505	5.28	12	2.65	339	412	4.31	10	2.80	372	376	3.93			6.0	3.50	429	325	3.40			5.9	4.15	487			287	3.00	5.9			4.90	564	248	2.59	6.5		5.20	638		219	2.29	6.1	5.35	281	497	5.19			8.0	1.35	314	445	4.65			7.8	1.50	348	402	4.20			7.7	2.00	383	365	3.81	7.5	2.20	432	323	3.38	7.3	2.50	476	294	3.07	7.2	2.80	553	253	2.64	6.9	3.20	635	220	2.30	6.7	3.70	749	187	1.95	6.4	4.00	854	164	1.71	6.1	4.20	1014	138	1.44	5.9	4.60	323	432	4.52	6.3	1.35	GRX109 GRXF109	4P	361	387	4.04	6.2	1.50			401	348	3.64	6.1	1.65			442	316	3.30	6.0	1.85	500	279	2.92	5.8	2.10	553	253	2.64	5.7	2.30			652	214	2.24	5.4	2.70			745	188	1.96	5.3	3.00			890			157	1.64	5.0	3.20	1028	136	1.42			4.8	3.30	420	333	3.48	4.0	1.20			472	296	3.09	4.3	1.35	529	264			2.76	4.2	1.50	589	237	2.48	4.1			1.65	679	206	2.15	4.0	1.80	756	185	1.93	3.9	1.90	913	153	1.60	3.8	2.00	1050	133	1.39	3.6	2.10	323	432	4.52	6.3	1.35	GRX99 GRXF99	4P	361	387	4.04	6.2	1.50			401	348	3.64	6.1	1.65			442	316	3.30	6.0	1.85	500	279	2.92	5.8	2.10	553	253	2.64	5.7	2.30			652	214	2.24	5.4	2.70			745	188	1.96	5.3	3.00					890	157	1.64	5.0	3.20	1028			136	1.42	4.8	3.30	420	333	3.48			4.0	1.20	472	296	3.09	4.3	1.35			529	264	2.76	4.2	1.50	589	237			2.48	4.1	1.65	679	206	2.15	4.0	1.80	756	185	1.93	3.9	1.90	913	153	1.60	3.8	2.00	1050	133	1.39	3.6	2.10	323	432	4.52	6.3	1.35	GRX89 GRXF89	4P	361	387	4.04	6.2	1.50			401	348	3.64	6.1	1.65			442	316	3.30	6.0	1.85	500	279	2.92	5.8	2.10	553	253	2.64	5.7	2.30			652	214	2.24	5.4	2.70			745	188	1.96	5.3			3.00			890	157	1.64	5.0			3.20	1028	136	1.42	4.8	3.30	420			333	3.48	4.0	1.20	472	296	3.09			4.3	1.35	529	264	2.76	4.2	1.50			589	237	2.48	4.1	1.65	679	206	2.15	4.0	1.80	756	185	1.93	3.9	1.90	913	153	1.60	3.8	2.00	1050	133	1.39	3.6	2.10																																																																																																																																																																																																																																																																																																																																																																																																
122	1117	11.98	11	1.05			147	927	9.94	10	1.20			160	853	9.15	10	1.35			177	767	8.23	10	1.45			204	666	7.14	10	1.55			228	596	6.39	10	1.65			275	495	5.31	9.1	1.75	224	624			6.52	16	1.80	GRX139 GRXF139	4P	281	497	5.19					8.0	1.35	249			562	5.87	12	2.35	277			505	5.28	12	2.65	339	412	4.31	10	2.80	372	376	3.93	6.0	3.50	429	325	3.40			5.9	4.15	487	287	3.00			5.9	4.90	564			248	2.59	6.5			5.20	638	219	2.29	6.1		5.35	281		497	5.19	8.0	1.35	314	445	4.65			7.8	1.50	348	402	4.20			7.7	2.00	383	365	3.81	7.5	2.20	432	323	3.38	7.3	2.50	476	294	3.07	7.2	2.80	553	253	2.64	6.9	3.20	635	220	2.30	6.7	3.70	749	187	1.95	6.4	4.00	854	164	1.71	6.1	4.20	1014	138	1.44	5.9	4.60	323	432	4.52	6.3	1.35	GRX109 GRXF109	4P	361	387	4.04	6.2	1.50			401	348	3.64	6.1	1.65			442	316	3.30	6.0	1.85			500	279	2.92	5.8	2.10	553	253	2.64	5.7	2.30	652	214	2.24	5.4	2.70			745	188	1.96	5.3	3.00			890	157	1.64	5.0	3.20			1028			136	1.42	4.8	3.30	420	333	3.48			4.0	1.20	472	296	3.09	4.3	1.35			529	264	2.76	4.2	1.50	589	237			2.48	4.1	1.65	679	206	2.15	4.0	1.80	756	185	1.93	3.9	1.90	913	153	1.60	3.8	2.00	1050	133	1.39	3.6	2.10	323	432	4.52	6.3	1.35	GRX99 GRXF99	4P	361	387	4.04	6.2	1.50			401	348	3.64	6.1	1.65			442	316	3.30	6.0	1.85			500	279	2.92	5.8	2.10	553	253	2.64	5.7	2.30	652	214	2.24	5.4	2.70			745	188	1.96	5.3	3.00			890	157	1.64	5.0	3.20					1028	136	1.42	4.8	3.30	420			333	3.48	4.0	1.20	472	296	3.09			4.3	1.35	529	264	2.76	4.2	1.50			589	237	2.48	4.1	1.65	679	206	2.15	4.0	1.80	756	185	1.93	3.9	1.90	913	153	1.60	3.8	2.00	1050	133	1.39	3.6	2.10	323	432	4.52	6.3	1.35	GRX89 GRXF89	4P	361	387	4.04	6.2	1.50			401	348	3.64	6.1	1.65			442	316	3.30	6.0	1.85			500	279	2.92	5.8	2.10	553	253	2.64	5.7	2.30	652	214	2.24	5.4	2.70			745	188	1.96	5.3	3.00			890	157	1.64	5.0			3.20			1028	136	1.42	4.8			3.30	420	333	3.48	4.0	1.20	472			296	3.09	4.3	1.35	529	264	2.76			4.2	1.50	589	237	2.48	4.1	1.65	679	206	2.15	4.0	1.80	756	185	1.93	3.9	1.90	913	153	1.60	3.8	2.00	1050	133	1.39	3.6	2.10																																																																																																																																																																																																																																																																																																																																																																																																							
147	927	9.94	10	1.20			160	853	9.15	10	1.35			177	767	8.23	10	1.45			204	666	7.14	10	1.55			228	596	6.39	10	1.65			275	495	5.31	9.1	1.75			224	624	6.52	16	1.80	GRX139 GRXF139	4P			281	497	5.19			8.0	1.35	249		562	5.87		12	2.35	277			505	5.28	12	2.65	339			412	4.31	10	2.80	372	376	3.93	6.0	3.50	429	325	3.40	5.9	4.15	487	287	3.00			5.9	4.90	564	248	2.59			6.5	5.20	638			219	2.29	6.1			5.35	281	497	5.19	8.0		1.35	314		445	4.65	7.8	1.50	348	402	4.20			7.7	2.00	383	365	3.81	7.5	2.20	432	323	3.38	7.3	2.50	476	294	3.07	7.2	2.80	553	253	2.64	6.9	3.20	635	220	2.30	6.7	3.70	749	187	1.95	6.4	4.00	854	164	1.71	6.1	4.20	1014	138	1.44	5.9	4.60	323	432	4.52	6.3	1.35	GRX109 GRXF109	4P	361	387	4.04	6.2	1.50			401	348	3.64	6.1	1.65			442	316	3.30	6.0	1.85			500	279	2.92	5.8	2.10			553	253	2.64	5.7	2.30	652	214	2.24	5.4	2.70	745	188	1.96	5.3	3.00			890	157	1.64	5.0	3.20			1028	136	1.42	4.8	3.30			420			333	3.48	4.0	1.20	472	296	3.09			4.3	1.35	529	264	2.76	4.2	1.50			589	237	2.48	4.1	1.65	679	206	2.15	4.0	1.80	756	185	1.93	3.9	1.90	913	153	1.60	3.8	2.00	1050	133	1.39	3.6	2.10	323	432	4.52	6.3	1.35	GRX99 GRXF99	4P	361	387	4.04	6.2	1.50			401	348	3.64	6.1	1.65			442	316	3.30	6.0	1.85			500	279	2.92	5.8	2.10			553	253	2.64	5.7	2.30	652	214	2.24	5.4	2.70	745	188	1.96	5.3	3.00			890	157	1.64	5.0	3.20			1028	136	1.42	4.8	3.30					420	333	3.48	4.0	1.20	472			296	3.09	4.3	1.35	529	264	2.76			4.2	1.50	589	237	2.48	4.1	1.65	679	206	2.15	4.0	1.80	756	185	1.93	3.9	1.90	913	153	1.60	3.8	2.00	1050	133	1.39	3.6	2.10	323	432	4.52	6.3	1.35	GRX89 GRXF89	4P	361	387	4.04	6.2	1.50			401	348	3.64	6.1	1.65			442	316	3.30	6.0	1.85			500	279	2.92	5.8	2.10			553	253	2.64	5.7	2.30	652	214	2.24	5.4	2.70	745	188	1.96	5.3	3.00			890	157	1.64	5.0	3.20			1028	136	1.42	4.8			3.30			420	333	3.48	4.0			1.20	472	296	3.09	4.3	1.35	529			264	2.76	4.2	1.50	589	237	2.48	4.1	1.65	679	206	2.15	4.0	1.80	756	185	1.93	3.9	1.90	913	153	1.60	3.8	2.00	1050	133	1.39	3.6	2.10																																																																																																																																																																																																																																																																																																																																																																																																														
160	853	9.15	10	1.35			177	767	8.23	10	1.45			204	666	7.14	10	1.55			228	596	6.39	10	1.65			275	495	5.31	9.1	1.75			224	624	6.52	16	1.80			GRX139 GRXF139	4P	281	497	5.19			8.0	1.35	249	562	5.87			12	2.35	277		505	5.28		12	2.65	339			412	4.31	10	2.80	372			376	3.93	6.0	3.50	429	325	3.40	5.9	4.15	487	287	3.00	5.9	4.90	564	248	2.59			6.5	5.20	638	219	2.29			6.1	5.35	281			497	5.19	8.0			1.35	314	445	4.65	7.8		1.50	348		402	4.20	7.7	2.00	383	365	3.81	7.5	2.20	432	323	3.38	7.3	2.50	476	294	3.07	7.2	2.80	553	253	2.64	6.9	3.20	635	220	2.30	6.7	3.70	749	187	1.95	6.4	4.00	854	164	1.71	6.1	4.20	1014	138	1.44	5.9	4.60	323	432	4.52	6.3	1.35	GRX109 GRXF109	4P	361	387	4.04	6.2	1.50			401	348	3.64	6.1	1.65			442	316	3.30	6.0	1.85			500	279	2.92	5.8	2.10			553	253	2.64	5.7	2.30			652	214	2.24	5.4	2.70	745	188	1.96	5.3	3.00	890	157	1.64	5.0	3.20			1028	136	1.42	4.8	3.30			420	333	3.48	4.0	1.20			472			296	3.09	4.3	1.35	529	264	2.76			4.2	1.50	589	237	2.48	4.1	1.65	679	206	2.15	4.0	1.80	756	185	1.93	3.9	1.90	913	153	1.60	3.8	2.00	1050	133	1.39	3.6	2.10	323	432	4.52	6.3	1.35	GRX99 GRXF99	4P	361	387	4.04	6.2	1.50			401	348	3.64	6.1	1.65			442	316	3.30	6.0	1.85			500	279	2.92	5.8	2.10			553	253	2.64	5.7	2.30			652	214	2.24	5.4	2.70	745	188	1.96	5.3	3.00	890	157	1.64	5.0	3.20			1028	136	1.42	4.8	3.30			420	333	3.48	4.0	1.20					472	296	3.09	4.3	1.35	529			264	2.76	4.2	1.50	589	237	2.48	4.1	1.65	679	206	2.15	4.0	1.80	756	185	1.93	3.9	1.90	913	153	1.60	3.8	2.00	1050	133	1.39	3.6	2.10	323	432	4.52	6.3	1.35	GRX89 GRXF89	4P	361	387	4.04	6.2	1.50			401	348	3.64	6.1	1.65			442	316	3.30	6.0	1.85			500	279	2.92	5.8	2.10			553	253	2.64	5.7	2.30			652	214	2.24	5.4	2.70	745	188	1.96	5.3	3.00	890	157	1.64	5.0	3.20			1028	136	1.42	4.8	3.30			420	333	3.48	4.0			1.20			472	296	3.09	4.3			1.35	529	264	2.76	4.2	1.50	589	237	2.48	4.1	1.65	679	206	2.15	4.0	1.80	756	185	1.93	3.9	1.90	913	153	1.60	3.8	2.00	1050	133	1.39	3.6	2.10																																																																																																																																																																																																																																																																																																																																																																																																																					
177	767	8.23	10	1.45			204	666	7.14	10	1.55			228	596	6.39	10	1.65			275	495	5.31	9.1	1.75			224	624	6.52	16	1.80			GRX139 GRXF139	4P	281	497	5.19	8.0	1.35			249	562	5.87			12	2.35	277	505	5.28			12	2.65	339		412	4.31		10	2.80	372			376	3.93	6.0	3.50	429			325	3.40	5.9	4.15	487	287	3.00	5.9	4.90	564	248	2.59	6.5	5.20	638	219	2.29			6.1	5.35	281	497	5.19			8.0	1.35	314			445	4.65	7.8			1.50	348	402	4.20	7.7	2.00	383	365	3.81	7.5	2.20	432	323	3.38	7.3	2.50	476	294	3.07	7.2	2.80	553	253	2.64	6.9	3.20	635	220	2.30	6.7	3.70	749	187	1.95	6.4	4.00	854	164	1.71	6.1	4.20	1014	138	1.44	5.9	4.60	323	432	4.52	6.3	1.35	GRX109 GRXF109	4P	361	387	4.04	6.2	1.50			401	348	3.64	6.1	1.65			442	316	3.30	6.0	1.85			500	279	2.92	5.8	2.10			553	253	2.64	5.7	2.30			652	214	2.24	5.4	2.70			745	188	1.96	5.3	3.00	890	157	1.64	5.0	3.20	1028	136	1.42	4.8	3.30			420	333	3.48	4.0	1.20			472	296	3.09	4.3	1.35			529			264	2.76	4.2	1.50	589	237	2.48	4.1	1.65	679	206	2.15	4.0	1.80	756	185	1.93	3.9	1.90	913	153	1.60	3.8	2.00	1050	133	1.39	3.6	2.10	323	432	4.52	6.3	1.35	GRX99 GRXF99	4P	361	387	4.04	6.2	1.50			401	348	3.64	6.1	1.65			442	316	3.30	6.0	1.85			500	279	2.92	5.8	2.10			553	253	2.64	5.7	2.30			652	214	2.24	5.4	2.70			745	188	1.96	5.3	3.00	890	157	1.64	5.0	3.20	1028	136	1.42	4.8	3.30			420	333	3.48	4.0	1.20			472	296	3.09	4.3	1.35					529	264	2.76	4.2	1.50	589	237	2.48	4.1	1.65	679	206	2.15	4.0	1.80	756	185	1.93	3.9	1.90	913	153	1.60	3.8	2.00	1050	133	1.39	3.6	2.10	323	432	4.52	6.3	1.35	GRX89 GRXF89	4P	361	387	4.04	6.2	1.50			401	348	3.64	6.1	1.65			442	316	3.30	6.0	1.85			500	279	2.92	5.8	2.10			553	253	2.64	5.7	2.30			652	214	2.24	5.4	2.70			745	188	1.96	5.3	3.00	890	157	1.64	5.0	3.20	1028	136	1.42	4.8	3.30			420	333	3.48	4.0	1.20			472	296	3.09	4.3			1.35			529	264	2.76	4.2	1.50	589	237	2.48	4.1	1.65	679	206	2.15	4.0	1.80	756	185	1.93	3.9	1.90	913	153	1.60	3.8	2.00	1050	133	1.39	3.6	2.10																																																																																																																																																																																																																																																																																																																																																																																																																												
204	666	7.14	10	1.55			228	596	6.39	10	1.65			275	495	5.31	9.1	1.75			224	624	6.52	16	1.80			GRX139 GRXF139	4P	281	497	5.19	8.0	1.35			249	562	5.87	12	2.35			277	505	5.28			12	2.65	339	412	4.31			10	2.80	372		376	3.93		6.0	3.50	429			325	3.40	5.9	4.15	487			287	3.00	5.9	4.90	564	248	2.59	6.5	5.20	638	219	2.29	6.1	5.35	281	497	5.19			8.0	1.35	314	445	4.65			7.8	1.50	348			402	4.20	7.7	2.00	383	365	3.81	7.5	2.20	432	323	3.38	7.3	2.50	476	294	3.07	7.2	2.80	553	253	2.64	6.9	3.20	635	220	2.30	6.7	3.70	749	187	1.95	6.4	4.00	854	164	1.71	6.1	4.20	1014	138	1.44	5.9	4.60	323	432	4.52	6.3	1.35	GRX109 GRXF109	4P	361	387	4.04	6.2	1.50			401	348	3.64	6.1	1.65			442	316	3.30	6.0	1.85			500	279	2.92	5.8	2.10			553	253	2.64	5.7	2.30			652	214	2.24	5.4	2.70			745	188	1.96	5.3	3.00			890	157	1.64	5.0	3.20	1028	136	1.42	4.8	3.30	420	333	3.48	4.0	1.20			472	296	3.09	4.3	1.35			529	264	2.76	4.2	1.50			589	237	2.48	4.1	1.65	679	206	2.15	4.0	1.80	756	185	1.93	3.9	1.90	913	153	1.60	3.8	2.00	1050	133	1.39	3.6	2.10	323	432	4.52	6.3	1.35	GRX99 GRXF99	4P	361	387	4.04	6.2	1.50			401	348	3.64	6.1	1.65			442	316	3.30	6.0	1.85			500	279	2.92	5.8	2.10			553	253	2.64	5.7	2.30			652	214	2.24	5.4	2.70			745	188	1.96	5.3	3.00			890	157	1.64	5.0	3.20	1028	136	1.42	4.8	3.30	420	333	3.48	4.0	1.20			472	296	3.09	4.3	1.35			529	264	2.76	4.2	1.50		589	237		2.48	4.1	1.65	679	206	2.15	4.0	1.80	756	185	1.93	3.9	1.90	913	153	1.60	3.8	2.00	1050	133	1.39	3.6	2.10	323	432	4.52	6.3	1.35	GRX89 GRXF89	4P	361	387	4.04	6.2	1.50			401	348	3.64	6.1	1.65			442	316	3.30	6.0	1.85			500	279	2.92	5.8	2.10			553	253	2.64	5.7	2.30			652	214	2.24	5.4	2.70			745	188	1.96	5.3	3.00			890	157	1.64	5.0	3.20	1028	136	1.42	4.8	3.30	420	333	3.48	4.0	1.20			472	296	3.09	4.3	1.35			529	264	2.76	4.2	1.50	589	237			2.48	4.1	1.65	679	206	2.15	4.0	1.80	756	185	1.93	3.9	1.90	913	153	1.60	3.8	2.00	1050	133	1.39	3.6	2.10																																																																																																																																																																																																																																																																																																																																																																																																																																			
228	596	6.39	10	1.65			275	495	5.31	9.1	1.75			224	624	6.52	16	1.80			GRX139 GRXF139	4P	281	497	5.19	8.0	1.35			249	562	5.87	12	2.35			277	505	5.28	12	2.65			339	412	4.31			10	2.80	372	376	3.93			6.0	3.50	429		325	3.40		5.9	4.15	487			287	3.00	5.9	4.90	564			248	2.59	6.5	5.20	638	219	2.29	6.1	5.35	281	497	5.19	8.0	1.35	314	445	4.65			7.8	1.50	348	402	4.20			7.7	2.00	383	365	3.81	7.5	2.20	432	323	3.38	7.3	2.50	476	294	3.07	7.2	2.80	553	253	2.64	6.9	3.20	635	220	2.30	6.7	3.70	749	187	1.95	6.4	4.00	854	164	1.71	6.1	4.20	1014	138	1.44	5.9	4.60	323	432	4.52	6.3	1.35	GRX109 GRXF109	4P	361	387	4.04	6.2	1.50			401	348	3.64	6.1	1.65			442	316	3.30	6.0	1.85			500	279	2.92	5.8	2.10			553	253	2.64	5.7	2.30			652	214	2.24	5.4	2.70			745	188	1.96	5.3	3.00			890	157	1.64	5.0	3.20			1028	136	1.42	4.8	3.30	420	333	3.48	4.0	1.20	472	296	3.09	4.3	1.35			529	264	2.76	4.2	1.50			589	237	2.48	4.1	1.65	679	206	2.15	4.0	1.80	756	185	1.93	3.9	1.90	913	153	1.60	3.8	2.00	1050	133	1.39	3.6	2.10	323	432	4.52	6.3	1.35	GRX99 GRXF99	4P	361	387	4.04	6.2	1.50			401	348	3.64	6.1	1.65			442	316	3.30	6.0	1.85			500	279	2.92	5.8	2.10			553	253	2.64	5.7	2.30			652	214	2.24	5.4	2.70			745	188	1.96	5.3	3.00			890	157	1.64	5.0	3.20			1028	136	1.42	4.8	3.30	420	333	3.48	4.0	1.20	472	296	3.09	4.3	1.35			529	264	2.76	4.2	1.50			589	237	2.48	4.1	1.65	679	206	2.15	4.0	1.80	756	185	1.93	3.9	1.90	913	153	1.60	3.8	2.00	1050	133	1.39	3.6	2.10	323	432	4.52	6.3	1.35	GRX89 GRXF89	4P	361	387	4.04	6.2	1.50			401	348	3.64	6.1	1.65			442	316	3.30	6.0	1.85			500	279	2.92	5.8	2.10			553	253	2.64	5.7	2.30			652	214	2.24	5.4	2.70			745	188	1.96	5.3	3.00			890	157	1.64	5.0	3.20			1028	136	1.42	4.8	3.30	420	333	3.48	4.0	1.20	472	296	3.09	4.3	1.35			529	264	2.76	4.2	1.50			589	237	2.48	4.1	1.65	679	206	2.15	4.0	1.80	756	185	1.93	3.9	1.90	913	153	1.60	3.8	2.00	1050	133	1.39	3.6	2.10																																																																																																																																																																																																																																																																																																																																																																																																																																										
275	495	5.31	9.1	1.75			224	624	6.52	16	1.80			GRX139 GRXF139	4P	281	497	5.19	8.0	1.35			249	562	5.87	12	2.35			277	505	5.28	12	2.65			339	412	4.31	10	2.80			372	376	3.93			6.0	3.50	429	325	3.40			5.9	4.15	487		287	3.00		5.9	4.90	564			248	2.59	6.5	5.20	638			219	2.29	6.1	5.35	281	497	5.19	8.0	1.35	314	445	4.65	7.8	1.50	348	402	4.20			7.7	2.00	383	365	3.81	7.5	2.20	432	323	3.38	7.3	2.50	476	294	3.07	7.2	2.80	553	253	2.64	6.9	3.20	635	220	2.30	6.7	3.70	749	187	1.95	6.4	4.00	854	164	1.71	6.1	4.20	1014	138	1.44	5.9	4.60	323	432	4.52	6.3	1.35	GRX109 GRXF109	4P	361	387	4.04	6.2	1.50			401	348	3.64	6.1	1.65			442	316	3.30	6.0	1.85			500	279	2.92	5.8	2.10			553	253	2.64	5.7	2.30			652	214	2.24	5.4	2.70			745	188	1.96	5.3	3.00			890	157	1.64	5.0	3.20			1028	136	1.42	4.8	3.30			420	333	3.48	4.0	1.20	472	296	3.09	4.3	1.35	529	264	2.76	4.2	1.50			589	237	2.48	4.1	1.65	679	206	2.15	4.0	1.80	756	185	1.93	3.9	1.90	913	153	1.60	3.8	2.00	1050	133	1.39	3.6	2.10	323	432	4.52	6.3	1.35	GRX99 GRXF99	4P	361	387	4.04	6.2	1.50			401	348	3.64	6.1	1.65			442	316	3.30	6.0	1.85			500	279	2.92	5.8	2.10			553	253	2.64	5.7	2.30			652	214	2.24	5.4	2.70			745	188	1.96	5.3	3.00			890	157	1.64	5.0	3.20			1028	136	1.42	4.8	3.30			420	333	3.48	4.0	1.20	472	296	3.09	4.3	1.35	529	264	2.76	4.2	1.50			589	237	2.48	4.1	1.65	679	206	2.15	4.0	1.80	756	185	1.93	3.9	1.90	913	153	1.60	3.8	2.00	1050	133	1.39	3.6	2.10	323	432	4.52	6.3	1.35	GRX89 GRXF89	4P	361	387	4.04	6.2	1.50			401	348	3.64	6.1	1.65			442	316	3.30	6.0	1.85			500	279	2.92	5.8	2.10			553	253	2.64	5.7	2.30			652	214	2.24	5.4	2.70			745	188	1.96	5.3	3.00			890	157	1.64	5.0	3.20			1028	136	1.42	4.8	3.30			420	333	3.48	4.0	1.20	472	296	3.09	4.3	1.35	529	264	2.76	4.2	1.50			589	237	2.48	4.1	1.65	679	206	2.15	4.0	1.80	756	185	1.93	3.9	1.90	913	153	1.60	3.8	2.00	1050	133	1.39	3.6	2.10																																																																																																																																																																																																																																																																																																																																																																																																																																																	
224	624	6.52	16	1.80			GRX139 GRXF139	4P	281	497	5.19	8.0	1.35																																																																																																																																																																																																																																																																																																																																																																																																																																																																																																																																																																																																																																																																																																																																																																																																																																																																																																																											
249	562	5.87	12	2.35	277	505			5.28	12	2.65	339	412			4.31	10	2.80	372	376			3.93	6.0	3.50	429	325			3.40	5.9	4.15	487	287			3.00	5.9	4.90	564	248			2.59	6.5	5.20			638	219	2.29	6.1	5.35			281	497	5.19		8.0	1.35		314	445	4.65			7.8	1.50	348	402	4.20			7.7	2.00	383	365	3.81	7.5	2.20	432	323	3.38	7.3	2.50	476	294	3.07	7.2	2.80	553	253	2.64	6.9	3.20	635	220	2.30	6.7	3.70	749	187	1.95	6.4	4.00	854	164	1.71	6.1	4.20	1014	138	1.44	5.9	4.60	323	432	4.52	6.3	1.35	GRX109 GRXF109	4P	361	387	4.04	6.2	1.50	401	348	3.64	6.1	1.65	442	316	3.30	6.0	1.85	500	279			2.92	5.8	2.10	553	253			2.64	5.7	2.30	652	214			2.24	5.4	2.70	745	188			1.96	5.3	3.00	890	157			1.64	5.0	3.20	1028	136			1.42	4.8	3.30	420	333			3.48	4.0	1.20	472	296			3.09	4.3	1.35	529	264			2.76	4.2	1.50	589	237			2.48	4.1	1.65	679	206	2.15	4.0	1.80	756	185	1.93	3.9	1.90	913	153	1.60	3.8	2.00	1050	133	1.39	3.6	2.10	323	432	4.52	6.3	1.35	GRX99 GRXF99	4P	361	387	4.04	6.2	1.50	401	348	3.64	6.1	1.65	442	316	3.30	6.0	1.85	500	279			2.92	5.8	2.10	553	253			2.64	5.7	2.30	652	214			2.24	5.4	2.70	745	188			1.96	5.3	3.00	890	157			1.64	5.0	3.20	1028	136			1.42	4.8	3.30	420	333			3.48	4.0	1.20	472	296			3.09	4.3	1.35	529	264			2.76	4.2	1.50	589	237			2.48	4.1	1.65	679	206	2.15	4.0	1.80	756	185	1.93	3.9	1.90	913	153	1.60	3.8	2.00	1050	133	1.39	3.6	2.10	323	432	4.52	6.3	1.35	GRX89 GRXF89	4P	361	387	4.04	6.2	1.50	401	348	3.64	6.1	1.65	442	316	3.30	6.0	1.85	500	279			2.92	5.8	2.10	553	253			2.64	5.7	2.30	652	214			2.24	5.4	2.70	745	188			1.96	5.3	3.00	890	157			1.64	5.0	3.20	1028	136			1.42	4.8	3.30	420	333			3.48	4.0	1.20	472	296			3.09	4.3	1.35	529	264			2.76	4.2	1.50	589	237			2.48	4.1	1.65	679	206	2.15	4.0	1.80	756	185	1.93	3.9	1.90	913	153	1.60	3.8	2.00	1050	133	1.39	3.6	2.10																																																																																																																																																																																																																																																																																																																																																																																																																																																																				
277	505	5.28	12	2.65	339	412			4.31	10	2.80	372	376			3.93	6.0	3.50	429	325			3.40	5.9	4.15	487	287			3.00	5.9	4.90	564	248			2.59	6.5	5.20	638	219			2.29	6.1	5.35			281	497	5.19	8.0	1.35			314	445	4.65		7.8	1.50		348	402	4.20			7.7	2.00	383	365	3.81	7.5	2.20	432	323	3.38	7.3	2.50	476	294	3.07	7.2	2.80	553	253	2.64	6.9	3.20	635	220	2.30	6.7	3.70	749	187	1.95	6.4	4.00	854	164	1.71	6.1	4.20	1014	138	1.44	5.9	4.60	323	432	4.52	6.3	1.35	GRX109 GRXF109	4P	361	387	4.04	6.2	1.50			401	348	3.64	6.1	1.65	442	316	3.30	6.0	1.85	500	279	2.92	5.8	2.10	553	253			2.64	5.7	2.30	652	214			2.24	5.4	2.70	745	188			1.96	5.3	3.00	890	157			1.64	5.0	3.20	1028	136			1.42	4.8	3.30	420	333			3.48	4.0	1.20	472	296			3.09	4.3	1.35	529	264			2.76	4.2	1.50	589	237			2.48	4.1	1.65	679	206	2.15	4.0	1.80	756	185	1.93	3.9	1.90	913	153	1.60	3.8	2.00	1050	133	1.39	3.6	2.10	323	432	4.52	6.3	1.35	GRX99 GRXF99	4P	361	387	4.04	6.2	1.50			401	348	3.64	6.1	1.65	442	316	3.30	6.0	1.85	500	279	2.92	5.8	2.10	553	253			2.64	5.7	2.30	652	214			2.24	5.4	2.70	745	188			1.96	5.3	3.00	890	157			1.64	5.0	3.20	1028	136			1.42	4.8	3.30	420	333			3.48	4.0	1.20	472	296			3.09	4.3	1.35	529	264			2.76	4.2	1.50	589	237			2.48	4.1	1.65	679	206	2.15	4.0	1.80	756	185	1.93	3.9	1.90	913	153	1.60	3.8	2.00	1050	133	1.39	3.6	2.10	323	432	4.52	6.3	1.35	GRX89 GRXF89	4P	361	387	4.04	6.2	1.50			401	348	3.64	6.1	1.65	442	316	3.30	6.0	1.85	500	279	2.92	5.8	2.10	553	253			2.64	5.7	2.30	652	214			2.24	5.4	2.70	745	188			1.96	5.3	3.00	890	157			1.64	5.0	3.20	1028	136			1.42	4.8	3.30	420	333			3.48	4.0	1.20	472	296			3.09	4.3	1.35	529	264			2.76	4.2	1.50	589	237			2.48	4.1	1.65	679	206	2.15	4.0	1.80	756	185	1.93	3.9	1.90	913	153	1.60	3.8	2.00	1050	133	1.39	3.6	2.10																																																																																																																																																																																																																																																																																																																																																																																																																																																																											
339	412	4.31	10	2.80	372	376			3.93	6.0	3.50	429	325			3.40	5.9	4.15	487	287			3.00	5.9	4.90	564	248			2.59	6.5	5.20	638	219			2.29	6.1	5.35	281	497			5.19	8.0	1.35			314	445	4.65	7.8	1.50			348	402	4.20		7.7	2.00		383	365	3.81	7.5	2.20	432	323	3.38	7.3	2.50	476	294	3.07	7.2	2.80	553	253	2.64	6.9	3.20	635	220	2.30	6.7	3.70	749	187	1.95	6.4	4.00	854	164	1.71	6.1	4.20	1014	138	1.44	5.9	4.60	323	432	4.52	6.3	1.35	GRX109 GRXF109	4P	361	387	4.04	6.2	1.50			401	348	3.64	6.1	1.65			442	316	3.30	6.0	1.85	500	279	2.92	5.8	2.10	553	253	2.64	5.7	2.30	652	214			2.24	5.4	2.70	745	188			1.96	5.3	3.00	890	157			1.64	5.0	3.20	1028	136			1.42	4.8	3.30	420	333			3.48	4.0	1.20	472	296			3.09	4.3	1.35	529	264			2.76	4.2	1.50	589	237			2.48	4.1	1.65	679	206	2.15	4.0	1.80	756	185	1.93	3.9	1.90	913	153	1.60	3.8	2.00	1050	133	1.39	3.6	2.10	323	432	4.52	6.3	1.35	GRX99 GRXF99	4P	361	387	4.04	6.2	1.50			401	348	3.64	6.1	1.65			442	316	3.30	6.0	1.85	500	279	2.92	5.8	2.10	553	253	2.64	5.7	2.30	652	214			2.24	5.4	2.70	745	188			1.96	5.3	3.00	890	157			1.64	5.0	3.20	1028	136			1.42	4.8	3.30	420	333			3.48	4.0	1.20	472	296			3.09	4.3	1.35	529	264			2.76	4.2	1.50	589	237			2.48	4.1	1.65	679	206	2.15	4.0	1.80	756	185	1.93	3.9	1.90	913	153	1.60	3.8	2.00	1050	133	1.39	3.6	2.10	323	432	4.52	6.3	1.35	GRX89 GRXF89	4P	361	387	4.04	6.2	1.50			401	348	3.64	6.1	1.65			442	316	3.30	6.0	1.85	500	279	2.92	5.8	2.10	553	253	2.64	5.7	2.30	652	214			2.24	5.4	2.70	745	188			1.96	5.3	3.00	890	157			1.64	5.0	3.20	1028	136			1.42	4.8	3.30	420	333			3.48	4.0	1.20	472	296			3.09	4.3	1.35	529	264			2.76	4.2	1.50	589	237			2.48	4.1	1.65	679	206	2.15	4.0	1.80	756	185	1.93	3.9	1.90	913	153	1.60	3.8	2.00	1050	133	1.39	3.6	2.10																																																																																																																																																																																																																																																																																																																																																																																																																																																																																		
372	376	3.93	6.0	3.50	429	325			3.40	5.9	4.15	487	287			3.00	5.9	4.90	564	248			2.59	6.5	5.20	638	219			2.29	6.1	5.35	281	497			5.19	8.0	1.35	314	445			4.65	7.8	1.50			348	402	4.20	7.7	2.00			383	365	3.81	7.5	2.20	432	323	3.38	7.3	2.50	476	294	3.07	7.2	2.80	553	253	2.64	6.9	3.20	635	220	2.30	6.7	3.70	749	187	1.95	6.4	4.00	854	164	1.71	6.1	4.20	1014	138	1.44	5.9	4.60	323	432	4.52	6.3	1.35	GRX109 GRXF109	4P	361	387	4.04	6.2	1.50			401	348	3.64	6.1	1.65			442	316	3.30	6.0	1.85			500	279	2.92	5.8	2.10	553	253	2.64	5.7	2.30	652	214	2.24	5.4	2.70	745	188			1.96	5.3	3.00	890	157			1.64	5.0	3.20	1028	136			1.42	4.8	3.30	420	333			3.48	4.0	1.20	472	296			3.09	4.3	1.35	529	264			2.76	4.2	1.50	589	237			2.48	4.1	1.65	679	206	2.15	4.0	1.80	756	185	1.93	3.9	1.90	913	153	1.60	3.8	2.00	1050	133	1.39	3.6	2.10	323	432	4.52	6.3	1.35	GRX99 GRXF99	4P	361	387	4.04	6.2	1.50			401	348	3.64	6.1	1.65			442	316	3.30	6.0	1.85			500	279	2.92	5.8	2.10	553	253	2.64	5.7	2.30	652	214	2.24	5.4	2.70	745	188			1.96	5.3	3.00	890	157			1.64	5.0	3.20	1028	136			1.42	4.8	3.30	420	333			3.48	4.0	1.20	472	296			3.09	4.3	1.35	529	264			2.76	4.2	1.50	589	237			2.48	4.1	1.65	679	206	2.15	4.0	1.80	756	185	1.93	3.9	1.90	913	153	1.60	3.8	2.00	1050	133	1.39	3.6	2.10	323	432	4.52	6.3	1.35	GRX89 GRXF89	4P	361	387	4.04	6.2	1.50			401	348	3.64	6.1	1.65			442	316	3.30	6.0	1.85			500	279	2.92	5.8	2.10	553	253	2.64	5.7	2.30	652	214	2.24	5.4	2.70	745	188			1.96	5.3	3.00	890	157			1.64	5.0	3.20	1028	136			1.42	4.8	3.30	420	333			3.48	4.0	1.20	472	296			3.09	4.3	1.35	529	264			2.76	4.2	1.50	589	237			2.48	4.1	1.65	679	206	2.15	4.0	1.80	756	185	1.93	3.9	1.90	913	153	1.60	3.8	2.00	1050	133	1.39	3.6	2.10																																																																																																																																																																																																																																																																																																																																																																																																																																																																																									
429	325	3.40	5.9	4.15	487	287			3.00	5.9	4.90	564	248			2.59	6.5	5.20	638	219			2.29	6.1	5.35	281	497			5.19	8.0	1.35	314	445			4.65	7.8	1.50	348	402			4.20	7.7	2.00			383	365	3.81	7.5	2.20	432	323	3.38	7.3	2.50	476	294	3.07	7.2	2.80	553	253	2.64	6.9	3.20	635	220	2.30	6.7	3.70	749	187	1.95	6.4	4.00	854	164	1.71	6.1	4.20	1014	138	1.44	5.9	4.60	323	432	4.52	6.3	1.35	GRX109 GRXF109	4P	361	387	4.04	6.2	1.50			401	348	3.64	6.1	1.65			442	316	3.30	6.0	1.85			500	279	2.92	5.8	2.10			553	253	2.64	5.7	2.30	652	214	2.24	5.4	2.70	745	188	1.96	5.3	3.00	890	157			1.64	5.0	3.20	1028	136			1.42	4.8	3.30	420	333			3.48	4.0	1.20	472	296			3.09	4.3	1.35	529	264			2.76	4.2	1.50	589	237			2.48	4.1	1.65	679	206	2.15	4.0	1.80	756	185	1.93	3.9	1.90	913	153	1.60	3.8	2.00	1050	133	1.39	3.6	2.10	323	432	4.52	6.3	1.35	GRX99 GRXF99	4P	361	387	4.04	6.2	1.50			401	348	3.64	6.1	1.65			442	316	3.30	6.0	1.85			500	279	2.92	5.8	2.10			553	253	2.64	5.7	2.30	652	214	2.24	5.4	2.70	745	188	1.96	5.3	3.00	890	157			1.64	5.0	3.20	1028	136			1.42	4.8	3.30	420	333			3.48	4.0	1.20	472	296			3.09	4.3	1.35	529	264			2.76	4.2	1.50	589	237			2.48	4.1	1.65	679	206	2.15	4.0	1.80	756	185	1.93	3.9	1.90	913	153	1.60	3.8	2.00	1050	133	1.39	3.6	2.10	323	432	4.52	6.3	1.35	GRX89 GRXF89	4P	361	387	4.04	6.2	1.50			401	348	3.64	6.1	1.65			442	316	3.30	6.0	1.85			500	279	2.92	5.8	2.10			553	253	2.64	5.7	2.30	652	214	2.24	5.4	2.70	745	188	1.96	5.3	3.00	890	157			1.64	5.0	3.20	1028	136			1.42	4.8	3.30	420	333			3.48	4.0	1.20	472	296			3.09	4.3	1.35	529	264			2.76	4.2	1.50	589	237			2.48	4.1	1.65	679	206	2.15	4.0	1.80	756	185	1.93	3.9	1.90	913	153	1.60	3.8	2.00	1050	133	1.39	3.6	2.10																																																																																																																																																																																																																																																																																																																																																																																																																																																																																																
487	287	3.00	5.9	4.90	564	248			2.59	6.5	5.20	638	219			2.29	6.1	5.35	281	497			5.19	8.0	1.35	314	445			4.65	7.8	1.50	348	402			4.20	7.7	2.00	383	365			3.81	7.5	2.20	432	323	3.38	7.3	2.50	476	294	3.07	7.2	2.80	553	253	2.64	6.9	3.20	635	220	2.30	6.7	3.70	749	187	1.95	6.4	4.00	854	164	1.71	6.1	4.20	1014	138	1.44	5.9	4.60	323	432	4.52	6.3	1.35	GRX109 GRXF109	4P	361	387	4.04	6.2	1.50			401	348	3.64	6.1	1.65			442	316	3.30	6.0	1.85			500	279	2.92	5.8	2.10			553	253	2.64	5.7	2.30			652	214	2.24	5.4	2.70	745	188	1.96	5.3	3.00	890	157	1.64	5.0	3.20	1028	136			1.42	4.8	3.30	420	333			3.48	4.0	1.20	472	296			3.09	4.3	1.35	529	264			2.76	4.2	1.50	589	237			2.48	4.1	1.65	679	206	2.15	4.0	1.80	756	185	1.93	3.9	1.90	913	153	1.60	3.8	2.00	1050	133	1.39	3.6	2.10	323	432	4.52	6.3	1.35	GRX99 GRXF99	4P	361	387	4.04	6.2	1.50			401	348	3.64	6.1	1.65			442	316	3.30	6.0	1.85			500	279	2.92	5.8	2.10			553	253	2.64	5.7	2.30			652	214	2.24	5.4	2.70	745	188	1.96	5.3	3.00	890	157	1.64	5.0	3.20	1028	136			1.42	4.8	3.30	420	333			3.48	4.0	1.20	472	296			3.09	4.3	1.35	529	264			2.76	4.2	1.50	589	237			2.48	4.1	1.65	679	206	2.15	4.0	1.80	756	185	1.93	3.9	1.90	913	153	1.60	3.8	2.00	1050	133	1.39	3.6	2.10	323	432	4.52	6.3	1.35	GRX89 GRXF89	4P	361	387	4.04	6.2	1.50			401	348	3.64	6.1	1.65			442	316	3.30	6.0	1.85			500	279	2.92	5.8	2.10			553	253	2.64	5.7	2.30			652	214	2.24	5.4	2.70	745	188	1.96	5.3	3.00	890	157	1.64	5.0	3.20	1028	136			1.42	4.8	3.30	420	333			3.48	4.0	1.20	472	296			3.09	4.3	1.35	529	264			2.76	4.2	1.50	589	237			2.48	4.1	1.65	679	206	2.15	4.0	1.80	756	185	1.93	3.9	1.90	913	153	1.60	3.8	2.00	1050	133	1.39	3.6	2.10																																																																																																																																																																																																																																																																																																																																																																																																																																																																																																							
564	248	2.59	6.5	5.20	638	219			2.29	6.1	5.35	281	497			5.19	8.0	1.35	314	445			4.65	7.8	1.50	348	402			4.20	7.7	2.00	383	365			3.81	7.5	2.20	432	323	3.38	7.3	2.50	476	294	3.07	7.2	2.80	553	253	2.64	6.9	3.20	635	220	2.30	6.7	3.70	749	187	1.95	6.4	4.00	854	164	1.71	6.1	4.20	1014	138	1.44	5.9	4.60	323	432	4.52	6.3	1.35	GRX109 GRXF109	4P	361	387	4.04	6.2	1.50			401	348	3.64	6.1	1.65			442	316	3.30	6.0	1.85			500	279	2.92	5.8	2.10			553	253	2.64	5.7	2.30			652	214	2.24	5.4	2.70			745	188	1.96	5.3	3.00	890	157	1.64	5.0	3.20	1028	136	1.42	4.8	3.30	420	333			3.48	4.0	1.20	472	296			3.09	4.3	1.35	529	264			2.76	4.2	1.50	589	237			2.48	4.1	1.65	679	206	2.15	4.0	1.80	756	185	1.93	3.9	1.90	913	153	1.60	3.8	2.00	1050	133	1.39	3.6	2.10	323	432	4.52	6.3	1.35	GRX99 GRXF99	4P	361	387	4.04	6.2	1.50			401	348	3.64	6.1	1.65			442	316	3.30	6.0	1.85			500	279	2.92	5.8	2.10			553	253	2.64	5.7	2.30			652	214	2.24	5.4	2.70			745	188	1.96	5.3	3.00	890	157	1.64	5.0	3.20	1028	136	1.42	4.8	3.30	420	333			3.48	4.0	1.20	472	296			3.09	4.3	1.35	529	264			2.76	4.2	1.50	589	237			2.48	4.1	1.65	679	206	2.15	4.0	1.80	756	185	1.93	3.9	1.90	913	153	1.60	3.8	2.00	1050	133	1.39	3.6	2.10	323	432	4.52	6.3	1.35	GRX89 GRXF89	4P	361	387	4.04	6.2	1.50			401	348	3.64	6.1	1.65			442	316	3.30	6.0	1.85			500	279	2.92	5.8	2.10			553	253	2.64	5.7	2.30			652	214	2.24	5.4	2.70			745	188	1.96	5.3	3.00	890	157	1.64	5.0	3.20	1028	136	1.42	4.8	3.30	420	333			3.48	4.0	1.20	472	296			3.09	4.3	1.35	529	264			2.76	4.2	1.50	589	237			2.48	4.1	1.65	679	206	2.15	4.0	1.80	756	185	1.93	3.9	1.90	913	153	1.60	3.8	2.00	1050	133	1.39	3.6	2.10																																																																																																																																																																																																																																																																																																																																																																																																																																																																																																														
638	219	2.29	6.1	5.35	281	497			5.19	8.0	1.35	314	445			4.65	7.8	1.50	348	402			4.20	7.7	2.00	383	365			3.81	7.5	2.20	432	323	3.38	7.3	2.50	476	294	3.07	7.2	2.80	553	253	2.64	6.9	3.20	635	220	2.30	6.7	3.70	749	187	1.95	6.4	4.00	854	164	1.71	6.1	4.20	1014	138	1.44	5.9	4.60	323	432	4.52	6.3	1.35	GRX109 GRXF109	4P	361	387	4.04	6.2	1.50			401	348	3.64	6.1	1.65			442	316	3.30	6.0	1.85			500	279	2.92	5.8	2.10			553	253	2.64	5.7	2.30			652	214	2.24	5.4	2.70			745	188	1.96	5.3	3.00			890	157	1.64	5.0	3.20	1028	136	1.42	4.8	3.30	420	333	3.48	4.0	1.20	472	296			3.09	4.3	1.35	529	264			2.76	4.2	1.50	589	237			2.48	4.1	1.65	679	206	2.15	4.0	1.80	756	185	1.93	3.9	1.90	913	153	1.60	3.8	2.00	1050	133	1.39	3.6	2.10	323	432	4.52	6.3	1.35	GRX99 GRXF99	4P	361	387	4.04	6.2	1.50			401	348	3.64	6.1	1.65			442	316	3.30	6.0	1.85			500	279	2.92	5.8	2.10			553	253	2.64	5.7	2.30			652	214	2.24	5.4	2.70			745	188	1.96	5.3	3.00			890	157	1.64	5.0	3.20	1028	136	1.42	4.8	3.30	420	333	3.48	4.0	1.20	472	296			3.09	4.3	1.35	529	264			2.76	4.2	1.50	589	237			2.48	4.1	1.65	679	206	2.15	4.0	1.80	756	185	1.93	3.9	1.90	913	153	1.60	3.8	2.00	1050	133	1.39	3.6	2.10	323	432	4.52	6.3	1.35	GRX89 GRXF89	4P	361	387	4.04	6.2	1.50			401	348	3.64	6.1	1.65			442	316	3.30	6.0	1.85			500	279	2.92	5.8	2.10			553	253	2.64	5.7	2.30			652	214	2.24	5.4	2.70			745	188	1.96	5.3	3.00			890	157	1.64	5.0	3.20	1028	136	1.42	4.8	3.30	420	333	3.48	4.0	1.20	472	296			3.09	4.3	1.35	529	264			2.76	4.2	1.50	589	237			2.48	4.1	1.65	679	206	2.15	4.0	1.80	756	185	1.93	3.9	1.90	913	153	1.60	3.8	2.00	1050	133	1.39	3.6	2.10																																																																																																																																																																																																																																																																																																																																																																																																																																																																																																																					
281	497	5.19	8.0	1.35	314	445			4.65	7.8	1.50	348	402			4.20	7.7	2.00	383	365			3.81	7.5	2.20	432	323	3.38	7.3	2.50	476	294	3.07	7.2	2.80	553	253	2.64	6.9	3.20	635	220	2.30	6.7	3.70	749	187	1.95	6.4	4.00	854	164	1.71	6.1	4.20	1014	138	1.44	5.9	4.60	323	432	4.52	6.3	1.35	GRX109 GRXF109	4P	361	387	4.04	6.2	1.50			401	348	3.64	6.1	1.65			442	316	3.30	6.0	1.85			500	279	2.92	5.8	2.10			553	253	2.64	5.7	2.30			652	214	2.24	5.4	2.70			745	188	1.96	5.3	3.00			890	157	1.64	5.0	3.20			1028	136	1.42	4.8	3.30	420	333	3.48	4.0	1.20	472	296	3.09	4.3	1.35	529	264			2.76	4.2	1.50	589	237			2.48	4.1	1.65	679	206	2.15	4.0	1.80	756	185	1.93	3.9	1.90	913	153	1.60	3.8	2.00	1050	133	1.39	3.6	2.10	323	432	4.52	6.3	1.35	GRX99 GRXF99	4P	361	387	4.04	6.2	1.50			401	348	3.64	6.1	1.65			442	316	3.30	6.0	1.85			500	279	2.92	5.8	2.10			553	253	2.64	5.7	2.30			652	214	2.24	5.4	2.70			745	188	1.96	5.3	3.00			890	157	1.64	5.0	3.20			1028	136	1.42	4.8	3.30	420	333	3.48	4.0	1.20	472	296	3.09	4.3	1.35	529	264			2.76	4.2	1.50	589	237			2.48	4.1	1.65	679	206	2.15	4.0	1.80	756	185	1.93	3.9	1.90	913	153	1.60	3.8	2.00	1050	133	1.39	3.6	2.10	323	432	4.52	6.3	1.35	GRX89 GRXF89	4P	361	387	4.04	6.2	1.50			401	348	3.64	6.1	1.65			442	316	3.30	6.0	1.85			500	279	2.92	5.8	2.10			553	253	2.64	5.7	2.30			652	214	2.24	5.4	2.70			745	188	1.96	5.3	3.00			890	157	1.64	5.0	3.20			1028	136	1.42	4.8	3.30	420	333	3.48	4.0	1.20	472	296	3.09	4.3	1.35	529	264			2.76	4.2	1.50	589	237			2.48	4.1	1.65	679	206	2.15	4.0	1.80	756	185	1.93	3.9	1.90	913	153	1.60	3.8	2.00	1050	133	1.39	3.6	2.10																																																																																																																																																																																																																																																																																																																																																																																																																																																																																																																												
314	445	4.65	7.8	1.50	348	402			4.20	7.7	2.00	383	365			3.81	7.5	2.20	432	323	3.38	7.3	2.50	476	294	3.07	7.2	2.80	553	253	2.64	6.9	3.20	635	220	2.30	6.7	3.70	749	187	1.95	6.4	4.00	854	164	1.71	6.1	4.20	1014	138	1.44	5.9	4.60	323	432	4.52	6.3	1.35	GRX109 GRXF109	4P	361	387	4.04	6.2	1.50			401	348	3.64	6.1	1.65			442	316	3.30	6.0	1.85			500	279	2.92	5.8	2.10			553	253	2.64	5.7	2.30			652	214	2.24	5.4	2.70			745	188	1.96	5.3	3.00			890	157	1.64	5.0	3.20			1028	136	1.42	4.8	3.30			420	333	3.48	4.0	1.20	472	296	3.09	4.3	1.35	529	264	2.76	4.2	1.50	589	237			2.48	4.1	1.65	679	206	2.15	4.0	1.80	756	185	1.93	3.9	1.90	913	153	1.60	3.8	2.00	1050	133	1.39	3.6	2.10	323	432	4.52	6.3	1.35	GRX99 GRXF99	4P	361	387	4.04	6.2	1.50			401	348	3.64	6.1	1.65			442	316	3.30	6.0	1.85			500	279	2.92	5.8	2.10			553	253	2.64	5.7	2.30			652	214	2.24	5.4	2.70			745	188	1.96	5.3	3.00			890	157	1.64	5.0	3.20			1028	136	1.42	4.8	3.30			420	333	3.48	4.0	1.20	472	296	3.09	4.3	1.35	529	264	2.76	4.2	1.50	589	237			2.48	4.1	1.65	679	206	2.15	4.0	1.80	756	185	1.93	3.9	1.90	913	153	1.60	3.8	2.00	1050	133	1.39	3.6	2.10	323	432	4.52	6.3	1.35	GRX89 GRXF89	4P	361	387	4.04	6.2	1.50			401	348	3.64	6.1	1.65			442	316	3.30	6.0	1.85			500	279	2.92	5.8	2.10			553	253	2.64	5.7	2.30			652	214	2.24	5.4	2.70			745	188	1.96	5.3	3.00			890	157	1.64	5.0	3.20			1028	136	1.42	4.8	3.30			420	333	3.48	4.0	1.20	472	296	3.09	4.3	1.35	529	264	2.76	4.2	1.50	589	237			2.48	4.1	1.65	679	206	2.15	4.0	1.80	756	185	1.93	3.9	1.90	913	153	1.60	3.8	2.00	1050	133	1.39	3.6	2.10																																																																																																																																																																																																																																																																																																																																																																																																																																																																																																																																			
348	402	4.20	7.7	2.00	383	365			3.81	7.5	2.20	432	323	3.38	7.3	2.50	476	294	3.07	7.2	2.80	553	253	2.64	6.9	3.20	635	220	2.30	6.7	3.70	749	187	1.95	6.4	4.00	854	164	1.71	6.1	4.20	1014	138	1.44	5.9	4.60	323	432	4.52	6.3	1.35	GRX109 GRXF109	4P	361	387	4.04	6.2	1.50			401	348	3.64	6.1	1.65			442	316	3.30	6.0	1.85			500	279	2.92	5.8	2.10			553	253	2.64	5.7	2.30			652	214	2.24	5.4	2.70			745	188	1.96	5.3	3.00			890	157	1.64	5.0	3.20			1028	136	1.42	4.8	3.30			420	333	3.48	4.0	1.20			472	296	3.09	4.3	1.35	529	264	2.76	4.2	1.50	589	237	2.48	4.1	1.65	679	206	2.15	4.0	1.80	756	185	1.93	3.9	1.90	913	153	1.60	3.8	2.00	1050	133	1.39	3.6	2.10	323	432	4.52	6.3	1.35	GRX99 GRXF99	4P	361	387	4.04	6.2	1.50			401	348	3.64	6.1	1.65			442	316	3.30	6.0	1.85			500	279	2.92	5.8	2.10			553	253	2.64	5.7	2.30			652	214	2.24	5.4	2.70			745	188	1.96	5.3	3.00			890	157	1.64	5.0	3.20			1028	136	1.42	4.8	3.30			420	333	3.48	4.0	1.20			472	296	3.09	4.3	1.35	529	264	2.76	4.2	1.50	589	237	2.48	4.1	1.65	679	206	2.15	4.0	1.80	756	185	1.93	3.9	1.90	913	153	1.60	3.8	2.00	1050	133	1.39	3.6	2.10	323	432	4.52	6.3	1.35	GRX89 GRXF89	4P	361	387	4.04	6.2	1.50			401	348	3.64	6.1	1.65			442	316	3.30	6.0	1.85			500	279	2.92	5.8	2.10			553	253	2.64	5.7	2.30			652	214	2.24	5.4	2.70			745	188	1.96	5.3	3.00			890	157	1.64	5.0	3.20			1028	136	1.42	4.8	3.30			420	333	3.48	4.0	1.20			472	296	3.09	4.3	1.35	529	264	2.76	4.2	1.50	589	237	2.48	4.1	1.65	679	206	2.15	4.0	1.80	756	185	1.93	3.9	1.90	913	153	1.60	3.8	2.00	1050	133	1.39	3.6	2.10																																																																																																																																																																																																																																																																																																																																																																																																																																																																																																																																										
383	365	3.81	7.5	2.20	432	323	3.38	7.3	2.50	476	294	3.07	7.2	2.80	553	253	2.64	6.9	3.20	635	220	2.30	6.7	3.70	749	187	1.95	6.4	4.00	854	164	1.71	6.1	4.20	1014	138	1.44	5.9	4.60	323	432	4.52	6.3	1.35	GRX109 GRXF109	4P	361	387	4.04	6.2	1.50			401	348	3.64	6.1	1.65			442	316	3.30	6.0	1.85			500	279	2.92	5.8	2.10			553	253	2.64	5.7	2.30			652	214	2.24	5.4	2.70			745	188	1.96	5.3	3.00			890	157	1.64	5.0	3.20			1028	136	1.42	4.8	3.30			420	333	3.48	4.0	1.20			472	296	3.09	4.3	1.35			529	264	2.76	4.2	1.50	589	237	2.48	4.1	1.65	679	206	2.15	4.0	1.80	756	185	1.93	3.9	1.90	913	153	1.60	3.8	2.00	1050	133	1.39	3.6	2.10	323	432	4.52	6.3	1.35	GRX99 GRXF99	4P	361	387	4.04			6.2	1.50	401	348	3.64			6.1	1.65	442	316	3.30			6.0	1.85	500	279	2.92			5.8	2.10	553	253	2.64			5.7	2.30	652	214	2.24			5.4	2.70	745	188	1.96			5.3	3.00	890	157	1.64			5.0	3.20	1028	136	1.42			4.8	3.30	420	333	3.48			4.0	1.20	472	296	3.09			4.3	1.35	529	264	2.76	4.2	1.50	589	237	2.48	4.1	1.65	679	206	2.15	4.0	1.80	756	185	1.93	3.9	1.90	913	153	1.60	3.8	2.00	1050	133	1.39	3.6	2.10	323	432	4.52	6.3	1.35	GRX89 GRXF89	4P	361			387	4.04	6.2	1.50	401			348	3.64	6.1	1.65	442			316	3.30	6.0	1.85	500			279	2.92	5.8	2.10	553			253	2.64	5.7	2.30	652			214	2.24	5.4	2.70	745			188	1.96	5.3	3.00	890			157	1.64	5.0	3.20	1028			136	1.42	4.8	3.30	420			333	3.48	4.0	1.20	472			296	3.09	4.3	1.35	529	264	2.76	4.2	1.50	589	237	2.48	4.1	1.65	679	206	2.15	4.0	1.80	756	185	1.93	3.9	1.90	913	153	1.60	3.8	2.00	1050	133	1.39	3.6	2.10																																																																																																																																																																																																																																																																																																																																																																																																																																																																																																																																											
432	323	3.38	7.3	2.50	476	294	3.07	7.2	2.80	553	253	2.64	6.9	3.20	635	220	2.30	6.7	3.70	749	187	1.95	6.4	4.00	854	164	1.71	6.1	4.20	1014	138	1.44	5.9	4.60	323	432	4.52	6.3	1.35	GRX109 GRXF109	4P	361	387	4.04			6.2	1.50	401	348	3.64			6.1	1.65	442	316	3.30			6.0	1.85	500	279	2.92			5.8	2.10	553	253	2.64			5.7	2.30	652	214	2.24			5.4	2.70	745	188	1.96			5.3	3.00	890	157	1.64			5.0	3.20	1028	136	1.42			4.8	3.30	420	333	3.48			4.0	1.20	472	296	3.09			4.3	1.35	529	264	2.76	4.2	1.50	589	237	2.48	4.1	1.65	679	206	2.15	4.0	1.80	756	185	1.93	3.9	1.90	913	153	1.60	3.8	2.00	1050	133	1.39	3.6	2.10	323	432	4.52	6.3	1.35	GRX99 GRXF99	4P	361	387	4.04			6.2	1.50	401			348	3.64	6.1	1.65	442			316	3.30	6.0	1.85	500			279	2.92	5.8	2.10	553			253	2.64	5.7	2.30	652			214	2.24	5.4	2.70	745			188	1.96	5.3	3.00	890			157	1.64	5.0	3.20	1028			136	1.42	4.8	3.30	420			333	3.48	4.0	1.20	472			296	3.09	4.3	1.35	529	264	2.76	4.2	1.50	589	237	2.48	4.1	1.65	679	206	2.15	4.0	1.80	756	185	1.93	3.9	1.90	913	153	1.60	3.8	2.00	1050	133	1.39	3.6	2.10	323	432	4.52	6.3	1.35	GRX89 GRXF89	4P	361	387	4.04			6.2			1.50	401	348	3.64	6.1			1.65	442	316	3.30	6.0			1.85	500	279	2.92	5.8			2.10	553	253	2.64	5.7			2.30	652	214	2.24	5.4			2.70	745	188	1.96	5.3			3.00	890	157	1.64	5.0			3.20	1028	136	1.42	4.8			3.30	420	333	3.48	4.0			1.20	472	296	3.09	4.3	1.35	529	264	2.76	4.2	1.50	589	237	2.48	4.1	1.65	679	206	2.15	4.0	1.80	756	185	1.93	3.9	1.90	913	153	1.60	3.8	2.00	1050	133	1.39	3.6	2.10																																																																																																																																																																																																																																																																																																																																																																																																																																																																																																																																																
476	294	3.07	7.2	2.80	553	253	2.64	6.9	3.20	635	220	2.30	6.7	3.70	749	187	1.95	6.4	4.00	854	164	1.71	6.1	4.20	1014	138	1.44	5.9	4.60	323	432	4.52	6.3	1.35	GRX109 GRXF109	4P	361	387	4.04			6.2	1.50	401			348	3.64	6.1	1.65	442			316	3.30	6.0	1.85	500			279	2.92	5.8	2.10	553			253	2.64	5.7	2.30	652			214	2.24	5.4	2.70	745			188	1.96	5.3	3.00	890			157	1.64	5.0	3.20	1028			136	1.42	4.8	3.30	420			333	3.48	4.0	1.20	472			296	3.09	4.3	1.35	529	264	2.76	4.2	1.50	589	237	2.48	4.1	1.65	679	206	2.15	4.0	1.80	756	185	1.93	3.9	1.90	913	153	1.60	3.8	2.00	1050	133	1.39	3.6	2.10	323	432	4.52	6.3	1.35	GRX99 GRXF99	4P	361	387	4.04			6.2	1.50	401			348	3.64	6.1			1.65	442	316	3.30	6.0			1.85	500	279	2.92	5.8			2.10	553	253	2.64	5.7			2.30	652	214	2.24	5.4			2.70	745	188	1.96	5.3			3.00	890	157	1.64	5.0			3.20	1028	136	1.42	4.8			3.30	420	333	3.48	4.0			1.20	472	296	3.09	4.3	1.35	529	264	2.76	4.2	1.50	589	237	2.48	4.1	1.65	679	206	2.15	4.0	1.80	756	185	1.93	3.9	1.90	913	153	1.60	3.8	2.00	1050	133	1.39	3.6	2.10	323	432	4.52	6.3	1.35	GRX89 GRXF89	4P	361	387	4.04			6.2	1.50	401			348			3.64	6.1	1.65	442	316			3.30	6.0	1.85	500	279			2.92	5.8	2.10	553	253			2.64	5.7	2.30	652	214			2.24	5.4	2.70	745	188			1.96	5.3	3.00	890	157			1.64	5.0	3.20	1028	136			1.42	4.8	3.30	420	333			3.48	4.0	1.20	472	296	3.09	4.3	1.35	529	264	2.76	4.2	1.50	589	237	2.48	4.1	1.65	679	206	2.15	4.0	1.80	756	185	1.93	3.9	1.90	913	153	1.60	3.8	2.00	1050	133	1.39	3.6	2.10																																																																																																																																																																																																																																																																																																																																																																																																																																																																																																																																																					
553	253	2.64	6.9	3.20	635	220	2.30	6.7	3.70	749	187	1.95	6.4	4.00	854	164	1.71	6.1	4.20	1014	138	1.44	5.9	4.60	323	432	4.52	6.3	1.35	GRX109 GRXF109	4P	361	387	4.04			6.2	1.50	401			348	3.64	6.1			1.65	442	316	3.30	6.0			1.85	500	279	2.92	5.8			2.10	553	253	2.64	5.7			2.30	652	214	2.24	5.4			2.70	745	188	1.96	5.3			3.00	890	157	1.64	5.0			3.20	1028	136	1.42	4.8			3.30	420	333	3.48	4.0			1.20	472	296	3.09	4.3	1.35	529	264	2.76	4.2	1.50	589	237	2.48	4.1	1.65	679	206	2.15	4.0	1.80	756	185	1.93	3.9	1.90	913	153	1.60	3.8	2.00	1050	133	1.39	3.6	2.10	323	432	4.52	6.3	1.35	GRX99 GRXF99	4P	361	387	4.04			6.2	1.50	401			348	3.64	6.1			1.65	442	316			3.30	6.0	1.85	500	279			2.92	5.8	2.10	553	253			2.64	5.7	2.30	652	214			2.24	5.4	2.70	745	188			1.96	5.3	3.00	890	157			1.64	5.0	3.20	1028	136			1.42	4.8	3.30	420	333			3.48	4.0	1.20	472	296	3.09	4.3	1.35	529	264	2.76	4.2	1.50	589	237	2.48	4.1	1.65	679	206	2.15	4.0	1.80	756	185	1.93	3.9	1.90	913	153	1.60	3.8	2.00	1050	133	1.39	3.6	2.10	323	432	4.52	6.3	1.35	GRX89 GRXF89	4P	361	387	4.04			6.2	1.50	401			348	3.64	6.1			1.65			442	316	3.30	6.0	1.85			500	279	2.92	5.8	2.10			553	253	2.64	5.7	2.30			652	214	2.24	5.4	2.70			745	188	1.96	5.3	3.00			890	157	1.64	5.0	3.20			1028	136	1.42	4.8	3.30			420	333	3.48	4.0	1.20	472	296	3.09	4.3	1.35	529	264	2.76	4.2	1.50	589	237	2.48	4.1	1.65	679	206	2.15	4.0	1.80	756	185	1.93	3.9	1.90	913	153	1.60	3.8	2.00	1050	133	1.39	3.6	2.10																																																																																																																																																																																																																																																																																																																																																																																																																																																																																																																																																										
635	220	2.30	6.7	3.70	749	187	1.95	6.4	4.00	854	164	1.71	6.1	4.20	1014	138	1.44	5.9	4.60	323	432	4.52	6.3	1.35	GRX109 GRXF109	4P	361	387	4.04			6.2	1.50	401			348	3.64	6.1			1.65	442	316			3.30	6.0	1.85	500	279			2.92	5.8	2.10	553	253			2.64	5.7	2.30	652	214			2.24	5.4	2.70	745	188			1.96	5.3	3.00	890	157			1.64	5.0	3.20	1028	136			1.42	4.8	3.30	420	333			3.48	4.0	1.20	472	296	3.09	4.3	1.35	529	264	2.76	4.2	1.50	589	237	2.48	4.1	1.65	679	206	2.15	4.0	1.80	756	185	1.93	3.9	1.90	913	153	1.60	3.8	2.00	1050	133	1.39	3.6	2.10	323	432	4.52	6.3	1.35	GRX99 GRXF99	4P	361	387	4.04			6.2	1.50	401			348	3.64	6.1			1.65	442	316			3.30	6.0	1.85			500	279	2.92	5.8	2.10			553	253	2.64	5.7	2.30			652	214	2.24	5.4	2.70			745	188	1.96	5.3	3.00			890	157	1.64	5.0	3.20			1028	136	1.42	4.8	3.30			420	333	3.48	4.0	1.20	472	296	3.09	4.3	1.35	529	264	2.76	4.2	1.50	589	237	2.48	4.1	1.65	679	206	2.15	4.0	1.80	756	185	1.93	3.9	1.90	913	153	1.60	3.8	2.00	1050	133	1.39	3.6	2.10	323	432	4.52	6.3	1.35	GRX89 GRXF89	4P	361	387	4.04			6.2	1.50	401			348	3.64	6.1			1.65	442	316			3.30			6.0	1.85	500	279	2.92			5.8	2.10	553	253	2.64			5.7	2.30	652	214	2.24			5.4	2.70	745	188	1.96			5.3	3.00	890	157	1.64			5.0	3.20	1028	136	1.42			4.8	3.30	420	333	3.48	4.0	1.20	472	296	3.09	4.3	1.35	529	264	2.76	4.2	1.50	589	237	2.48	4.1	1.65	679	206	2.15	4.0	1.80	756	185	1.93	3.9	1.90	913	153	1.60	3.8	2.00	1050	133	1.39	3.6	2.10																																																																																																																																																																																																																																																																																																																																																																																																																																																																																																																																																															
749	187	1.95	6.4	4.00	854	164	1.71	6.1	4.20	1014	138	1.44	5.9	4.60	323	432	4.52	6.3	1.35	GRX109 GRXF109	4P	361	387	4.04			6.2	1.50	401			348	3.64	6.1			1.65	442	316			3.30	6.0	1.85			500	279	2.92	5.8	2.10			553	253	2.64	5.7	2.30			652	214	2.24	5.4	2.70			745	188	1.96	5.3	3.00			890	157	1.64	5.0	3.20			1028	136	1.42	4.8	3.30			420	333	3.48	4.0	1.20	472	296	3.09	4.3	1.35	529	264	2.76	4.2	1.50	589	237	2.48	4.1	1.65	679	206	2.15	4.0	1.80	756	185	1.93	3.9	1.90	913	153	1.60	3.8	2.00	1050	133	1.39	3.6	2.10	323	432	4.52	6.3	1.35	GRX99 GRXF99	4P	361	387	4.04			6.2	1.50	401			348	3.64	6.1			1.65	442	316			3.30	6.0	1.85			500	279	2.92			5.8	2.10	553	253	2.64			5.7	2.30	652	214	2.24			5.4	2.70	745	188	1.96			5.3	3.00	890	157	1.64			5.0	3.20	1028	136	1.42			4.8	3.30	420	333	3.48	4.0	1.20	472	296	3.09	4.3	1.35	529	264	2.76	4.2	1.50	589	237	2.48	4.1	1.65	679	206	2.15	4.0	1.80	756	185	1.93	3.9	1.90	913	153	1.60	3.8	2.00	1050	133	1.39	3.6	2.10	323	432	4.52	6.3	1.35	GRX89 GRXF89	4P	361	387	4.04			6.2	1.50	401			348	3.64	6.1			1.65	442	316			3.30	6.0	1.85			500			279	2.92	5.8	2.10	553			253	2.64	5.7	2.30	652			214	2.24	5.4	2.70	745			188	1.96	5.3	3.00	890			157	1.64	5.0	3.20	1028			136	1.42	4.8	3.30	420	333	3.48	4.0	1.20	472	296	3.09	4.3	1.35	529	264	2.76	4.2	1.50	589	237	2.48	4.1	1.65	679	206	2.15	4.0	1.80	756	185	1.93	3.9	1.90	913	153	1.60	3.8	2.00	1050	133	1.39	3.6	2.10																																																																																																																																																																																																																																																																																																																																																																																																																																																																																																																																																																				
854	164	1.71	6.1	4.20	1014	138	1.44	5.9	4.60	323	432	4.52	6.3	1.35	GRX109 GRXF109	4P	361	387	4.04			6.2	1.50	401			348	3.64	6.1			1.65	442	316			3.30	6.0	1.85			500	279	2.92			5.8	2.10	553	253	2.64			5.7	2.30	652	214	2.24			5.4	2.70	745	188	1.96			5.3	3.00	890	157	1.64			5.0	3.20	1028	136	1.42			4.8	3.30	420	333	3.48	4.0	1.20	472	296	3.09	4.3	1.35	529	264	2.76	4.2	1.50	589	237	2.48	4.1	1.65	679	206	2.15	4.0	1.80	756	185	1.93	3.9	1.90	913	153	1.60	3.8	2.00	1050	133	1.39	3.6	2.10	323	432	4.52	6.3	1.35	GRX99 GRXF99	4P	361	387	4.04			6.2	1.50	401			348	3.64	6.1			1.65	442	316			3.30	6.0	1.85			500	279	2.92			5.8	2.10	553			253	2.64	5.7	2.30	652			214	2.24	5.4	2.70	745			188	1.96	5.3	3.00	890			157	1.64	5.0	3.20	1028			136	1.42	4.8	3.30	420	333	3.48	4.0	1.20	472	296	3.09	4.3	1.35	529	264	2.76	4.2	1.50	589	237	2.48	4.1	1.65	679	206	2.15	4.0	1.80	756	185	1.93	3.9	1.90	913	153	1.60	3.8	2.00	1050	133	1.39	3.6	2.10	323	432	4.52	6.3	1.35	GRX89 GRXF89	4P	361	387	4.04			6.2	1.50	401			348	3.64	6.1			1.65	442	316			3.30	6.0	1.85			500	279	2.92			5.8			2.10	553	253	2.64	5.7			2.30	652	214	2.24	5.4			2.70	745	188	1.96	5.3			3.00	890	157	1.64	5.0			3.20	1028	136	1.42	4.8	3.30	420	333	3.48	4.0	1.20	472	296	3.09	4.3	1.35	529	264	2.76	4.2	1.50	589	237	2.48	4.1	1.65	679	206	2.15	4.0	1.80	756	185	1.93	3.9	1.90	913	153	1.60	3.8	2.00	1050	133	1.39	3.6	2.10																																																																																																																																																																																																																																																																																																																																																																																																																																																																																																																																																																									
1014	138	1.44	5.9	4.60	323	432	4.52	6.3	1.35	GRX109 GRXF109	4P	361	387	4.04			6.2	1.50	401			348	3.64	6.1			1.65	442	316			3.30	6.0	1.85			500	279	2.92			5.8	2.10	553			253	2.64	5.7	2.30	652			214	2.24	5.4	2.70	745			188	1.96	5.3	3.00	890			157	1.64	5.0	3.20	1028			136	1.42	4.8	3.30	420	333	3.48	4.0	1.20	472	296	3.09	4.3	1.35	529	264	2.76	4.2	1.50	589	237	2.48	4.1	1.65	679	206	2.15	4.0	1.80	756	185	1.93	3.9	1.90	913	153	1.60	3.8	2.00	1050	133	1.39	3.6	2.10	323	432	4.52	6.3	1.35	GRX99 GRXF99	4P	361	387	4.04			6.2	1.50	401			348	3.64	6.1			1.65	442	316			3.30	6.0	1.85			500	279	2.92			5.8	2.10	553			253	2.64	5.7			2.30	652	214	2.24	5.4			2.70	745	188	1.96	5.3			3.00	890	157	1.64	5.0			3.20	1028	136	1.42	4.8	3.30	420	333	3.48	4.0	1.20	472	296	3.09	4.3	1.35	529	264	2.76	4.2	1.50	589	237	2.48	4.1	1.65	679	206	2.15	4.0	1.80	756	185	1.93	3.9	1.90	913	153	1.60	3.8	2.00	1050	133	1.39	3.6	2.10	323	432	4.52	6.3	1.35	GRX89 GRXF89	4P	361	387	4.04			6.2	1.50	401			348	3.64	6.1			1.65	442	316			3.30	6.0	1.85			500	279	2.92			5.8	2.10	553			253			2.64	5.7	2.30	652	214			2.24	5.4	2.70	745	188			1.96	5.3	3.00	890	157			1.64	5.0	3.20	1028	136	1.42	4.8	3.30	420	333	3.48	4.0	1.20	472	296	3.09	4.3	1.35	529	264	2.76	4.2	1.50	589	237	2.48	4.1	1.65	679	206	2.15	4.0	1.80	756	185	1.93	3.9	1.90	913	153	1.60	3.8	2.00	1050	133	1.39	3.6	2.10																																																																																																																																																																																																																																																																																																																																																																																																																																																																																																																																																																														
323	432	4.52	6.3	1.35	GRX109 GRXF109	4P	361	387	4.04			6.2	1.50																																																																																																																																																																																																																																																																																																																																																																																																																																																																																																																																																																																																																																																																																																																																																																																																																																																																																																																											
401	348	3.64	6.1	1.65			442	316	3.30			6.0	1.85	500			279	2.92	5.8			2.10	553	253			2.64	5.7	2.30			652	214	2.24			5.4	2.70	745			188	1.96	5.3			3.00	890	157	1.64	5.0			3.20	1028	136	1.42	4.8			3.30	420	333	3.48	4.0	1.20	472	296	3.09	4.3	1.35	529	264	2.76	4.2	1.50	589	237	2.48	4.1	1.65	679	206	2.15	4.0	1.80	756	185	1.93	3.9	1.90	913	153	1.60	3.8	2.00	1050	133	1.39	3.6	2.10	323	432	4.52	6.3	1.35	GRX99 GRXF99	4P	361	387	4.04	6.2	1.50	401	348	3.64	6.1	1.65	442	316	3.30	6.0	1.85			500	279	2.92			5.8	2.10	553			253	2.64	5.7			2.30	652	214			2.24	5.4	2.70			745	188	1.96			5.3	3.00	890			157	1.64	5.0			3.20	1028	136	1.42	4.8			3.30	420	333	3.48	4.0	1.20	472	296	3.09	4.3	1.35	529	264	2.76	4.2	1.50	589	237	2.48	4.1	1.65	679	206	2.15	4.0	1.80	756	185	1.93	3.9	1.90	913	153	1.60	3.8	2.00	1050	133	1.39	3.6	2.10	323	432	4.52	6.3	1.35	GRX89 GRXF89	4P	361	387	4.04	6.2	1.50	401	348	3.64	6.1	1.65	442	316	3.30	6.0	1.85	500	279			2.92	5.8	2.10			553	253	2.64			5.7	2.30	652			214	2.24	5.4			2.70	745	188			1.96	5.3	3.00			890	157	1.64			5.0			3.20	1028	136	1.42	4.8			3.30	420	333	3.48	4.0	1.20	472	296	3.09	4.3	1.35	529	264	2.76	4.2	1.50	589	237	2.48	4.1	1.65	679	206	2.15	4.0	1.80	756	185	1.93	3.9	1.90	913	153	1.60	3.8	2.00	1050	133	1.39	3.6	2.10																																																																																																																																																																																																																																																																																																																																																																																																																																																																																																																																																																																																			
442	316	3.30	6.0	1.85			500	279	2.92			5.8	2.10	553			253	2.64	5.7			2.30	652	214			2.24	5.4	2.70			745	188	1.96			5.3	3.00	890			157	1.64	5.0			3.20	1028	136	1.42	4.8			3.30	420	333	3.48	4.0	1.20	472	296	3.09	4.3	1.35	529	264	2.76	4.2	1.50	589	237	2.48	4.1	1.65	679	206	2.15	4.0	1.80	756	185	1.93	3.9	1.90	913	153	1.60	3.8	2.00	1050	133	1.39	3.6	2.10	323	432	4.52	6.3	1.35	GRX99 GRXF99	4P	361	387	4.04	6.2	1.50			401	348	3.64	6.1	1.65	442	316	3.30	6.0	1.85	500	279	2.92	5.8	2.10			553	253	2.64			5.7	2.30	652			214	2.24	5.4			2.70	745	188			1.96	5.3	3.00			890	157	1.64			5.0	3.20	1028			136	1.42	4.8			3.30	420	333	3.48	4.0	1.20	472	296	3.09	4.3	1.35	529	264	2.76	4.2	1.50	589	237	2.48	4.1	1.65	679	206	2.15	4.0	1.80	756	185	1.93	3.9	1.90	913	153	1.60	3.8	2.00	1050	133	1.39	3.6	2.10	323	432	4.52	6.3	1.35	GRX89 GRXF89	4P	361	387	4.04	6.2	1.50			401	348	3.64	6.1	1.65	442	316	3.30	6.0	1.85	500	279	2.92	5.8	2.10	553	253			2.64	5.7	2.30			652	214	2.24			5.4	2.70	745			188	1.96	5.3			3.00	890	157			1.64	5.0	3.20			1028	136	1.42			4.8			3.30	420	333	3.48	4.0	1.20	472	296	3.09	4.3	1.35	529	264	2.76	4.2	1.50	589	237	2.48	4.1	1.65	679	206	2.15	4.0	1.80	756	185	1.93	3.9	1.90	913	153	1.60	3.8	2.00	1050	133	1.39	3.6	2.10																																																																																																																																																																																																																																																																																																																																																																																																																																																																																																																																																																																																										
500	279	2.92	5.8	2.10			553	253	2.64			5.7	2.30	652			214	2.24	5.4			2.70	745	188			1.96	5.3	3.00			890	157	1.64			5.0	3.20	1028			136	1.42	4.8			3.30	420	333	3.48	4.0	1.20	472	296	3.09	4.3	1.35	529	264	2.76	4.2	1.50	589	237	2.48	4.1	1.65	679	206	2.15	4.0	1.80	756	185	1.93	3.9	1.90	913	153	1.60	3.8	2.00	1050	133	1.39	3.6	2.10	323	432	4.52	6.3	1.35	GRX99 GRXF99	4P	361	387	4.04	6.2	1.50			401	348	3.64	6.1	1.65			442	316	3.30	6.0	1.85	500	279	2.92	5.8	2.10	553	253	2.64	5.7	2.30			652	214	2.24			5.4	2.70	745			188	1.96	5.3			3.00	890	157			1.64	5.0	3.20			1028	136	1.42			4.8	3.30	420			333	3.48	4.0	1.20	472	296	3.09	4.3	1.35	529	264	2.76	4.2	1.50	589	237	2.48	4.1	1.65	679	206	2.15	4.0	1.80	756	185	1.93	3.9	1.90	913	153	1.60	3.8	2.00	1050	133	1.39	3.6	2.10	323	432	4.52	6.3	1.35	GRX89 GRXF89	4P	361	387	4.04	6.2	1.50			401	348	3.64	6.1	1.65			442	316	3.30	6.0	1.85	500	279	2.92	5.8	2.10	553	253	2.64	5.7	2.30	652	214			2.24	5.4	2.70			745	188	1.96			5.3	3.00	890			157	1.64	5.0			3.20	1028	136			1.42	4.8	3.30			420	333	3.48			4.0	1.20	472	296	3.09	4.3	1.35	529	264	2.76	4.2	1.50	589	237	2.48	4.1	1.65	679	206	2.15	4.0	1.80	756	185	1.93	3.9	1.90	913	153	1.60	3.8	2.00	1050	133	1.39	3.6	2.10																																																																																																																																																																																																																																																																																																																																																																																																																																																																																																																																																																																																																	
553	253	2.64	5.7	2.30			652	214	2.24			5.4	2.70	745			188	1.96	5.3			3.00	890	157			1.64	5.0	3.20			1028	136	1.42			4.8	3.30	420			333	3.48	4.0	1.20	472	296	3.09	4.3	1.35	529	264	2.76	4.2	1.50	589	237	2.48	4.1	1.65	679	206	2.15	4.0	1.80	756	185	1.93	3.9	1.90	913	153	1.60	3.8	2.00	1050	133	1.39	3.6	2.10	323	432	4.52	6.3	1.35	GRX99 GRXF99	4P	361	387	4.04	6.2	1.50			401	348	3.64	6.1	1.65			442	316	3.30	6.0	1.85			500	279	2.92	5.8	2.10	553	253	2.64	5.7	2.30	652	214	2.24	5.4	2.70			745	188	1.96			5.3	3.00	890			157	1.64	5.0			3.20	1028	136			1.42	4.8	3.30			420	333	3.48			4.0	1.20	472	296	3.09	4.3	1.35	529	264	2.76	4.2	1.50	589	237	2.48	4.1	1.65	679	206	2.15	4.0	1.80	756	185	1.93	3.9	1.90	913	153	1.60	3.8	2.00	1050	133	1.39	3.6	2.10	323	432	4.52	6.3	1.35	GRX89 GRXF89	4P	361	387	4.04	6.2	1.50			401	348	3.64	6.1	1.65			442	316	3.30	6.0	1.85			500	279	2.92	5.8	2.10	553	253	2.64	5.7	2.30	652	214	2.24	5.4	2.70	745	188			1.96	5.3	3.00			890	157	1.64			5.0	3.20	1028			136	1.42	4.8			3.30	420	333			3.48	4.0	1.20			472	296	3.09	4.3	1.35	529	264	2.76	4.2	1.50	589	237	2.48	4.1	1.65	679	206	2.15	4.0	1.80	756	185	1.93	3.9	1.90	913	153	1.60	3.8	2.00	1050	133	1.39	3.6	2.10																																																																																																																																																																																																																																																																																																																																																																																																																																																																																																																																																																																																																								
652	214	2.24	5.4	2.70			745	188	1.96			5.3	3.00	890			157	1.64	5.0			3.20	1028	136			1.42	4.8	3.30			420	333	3.48			4.0	1.20	472	296	3.09	4.3	1.35	529	264	2.76	4.2	1.50	589	237	2.48	4.1	1.65	679	206	2.15	4.0	1.80	756	185	1.93	3.9	1.90	913	153	1.60	3.8	2.00	1050	133	1.39	3.6	2.10	323	432	4.52	6.3	1.35	GRX99 GRXF99	4P	361	387	4.04	6.2	1.50			401	348	3.64	6.1	1.65			442	316	3.30	6.0	1.85			500	279	2.92	5.8	2.10			553	253	2.64	5.7	2.30	652	214	2.24	5.4	2.70	745	188	1.96	5.3	3.00			890	157	1.64			5.0	3.20	1028			136	1.42	4.8			3.30	420	333			3.48	4.0	1.20			472	296	3.09	4.3	1.35	529	264	2.76	4.2	1.50	589	237	2.48	4.1	1.65	679	206	2.15	4.0	1.80	756	185	1.93	3.9	1.90	913	153	1.60	3.8	2.00	1050	133	1.39	3.6	2.10	323	432	4.52	6.3	1.35	GRX89 GRXF89	4P	361	387	4.04	6.2	1.50			401	348	3.64	6.1	1.65			442	316	3.30	6.0	1.85			500	279	2.92	5.8	2.10			553	253	2.64	5.7	2.30	652	214	2.24	5.4	2.70	745	188	1.96	5.3	3.00	890	157			1.64	5.0	3.20			1028	136	1.42			4.8	3.30	420			333	3.48	4.0			1.20	472	296			3.09	4.3	1.35	529	264	2.76	4.2	1.50	589	237	2.48	4.1	1.65	679	206	2.15	4.0	1.80	756	185	1.93	3.9	1.90	913	153	1.60	3.8	2.00	1050	133	1.39	3.6	2.10																																																																																																																																																																																																																																																																																																																																																																																																																																																																																																																																																																																																																															
745	188	1.96	5.3	3.00			890	157	1.64			5.0	3.20	1028			136	1.42	4.8			3.30	420	333			3.48	4.0	1.20			472	296	3.09	4.3	1.35	529	264	2.76	4.2	1.50	589	237	2.48	4.1	1.65	679	206	2.15	4.0	1.80	756	185	1.93	3.9	1.90	913	153	1.60	3.8	2.00	1050	133	1.39	3.6	2.10	323	432	4.52	6.3	1.35	GRX99 GRXF99	4P	361	387	4.04	6.2	1.50			401	348	3.64	6.1	1.65			442	316	3.30	6.0	1.85			500	279	2.92	5.8	2.10			553	253	2.64	5.7	2.30			652	214	2.24	5.4	2.70	745	188	1.96	5.3	3.00	890	157	1.64	5.0	3.20			1028	136	1.42			4.8	3.30	420			333	3.48	4.0			1.20	472	296			3.09	4.3	1.35	529	264	2.76	4.2	1.50	589	237	2.48	4.1	1.65	679	206	2.15	4.0	1.80	756	185	1.93	3.9	1.90	913	153	1.60	3.8	2.00	1050	133	1.39	3.6	2.10	323	432	4.52	6.3	1.35	GRX89 GRXF89	4P	361	387	4.04	6.2	1.50			401	348	3.64	6.1	1.65			442	316	3.30	6.0	1.85			500	279	2.92	5.8	2.10			553	253	2.64	5.7	2.30			652	214	2.24	5.4	2.70	745	188	1.96	5.3	3.00	890	157	1.64	5.0	3.20	1028	136			1.42	4.8	3.30			420	333	3.48			4.0	1.20	472			296	3.09	4.3			1.35	529	264	2.76	4.2	1.50	589	237	2.48	4.1	1.65	679	206	2.15	4.0	1.80	756	185	1.93	3.9	1.90	913	153	1.60	3.8	2.00	1050	133	1.39	3.6	2.10																																																																																																																																																																																																																																																																																																																																																																																																																																																																																																																																																																																																																																						
890	157	1.64	5.0	3.20			1028	136	1.42			4.8	3.30	420			333	3.48	4.0			1.20	472	296			3.09	4.3	1.35	529	264	2.76	4.2	1.50	589	237	2.48	4.1	1.65	679	206	2.15	4.0	1.80	756	185	1.93	3.9	1.90	913	153	1.60	3.8	2.00	1050	133	1.39	3.6	2.10	323	432	4.52	6.3	1.35	GRX99 GRXF99	4P	361	387	4.04	6.2	1.50			401	348	3.64	6.1	1.65			442	316	3.30	6.0	1.85			500	279	2.92	5.8	2.10			553	253	2.64	5.7	2.30			652	214	2.24	5.4	2.70			745	188	1.96	5.3	3.00	890	157	1.64	5.0	3.20	1028	136	1.42	4.8	3.30			420	333	3.48			4.0	1.20	472			296	3.09	4.3			1.35	529	264	2.76	4.2	1.50	589	237	2.48	4.1	1.65	679	206	2.15	4.0	1.80	756	185	1.93	3.9	1.90	913	153	1.60	3.8	2.00	1050	133	1.39	3.6	2.10	323	432	4.52	6.3	1.35	GRX89 GRXF89	4P	361	387	4.04	6.2	1.50			401	348	3.64	6.1	1.65			442	316	3.30	6.0	1.85			500	279	2.92	5.8	2.10			553	253	2.64	5.7	2.30			652	214	2.24	5.4	2.70			745	188	1.96	5.3	3.00	890	157	1.64	5.0	3.20	1028	136	1.42	4.8	3.30	420	333			3.48	4.0	1.20			472	296	3.09			4.3	1.35	529			264	2.76	4.2	1.50	589	237	2.48	4.1	1.65	679	206	2.15	4.0	1.80	756	185	1.93	3.9	1.90	913	153	1.60	3.8	2.00	1050	133	1.39	3.6	2.10																																																																																																																																																																																																																																																																																																																																																																																																																																																																																																																																																																																																																																													
1028	136	1.42	4.8	3.30			420	333	3.48			4.0	1.20	472			296	3.09	4.3			1.35	529	264	2.76	4.2	1.50	589	237	2.48	4.1	1.65	679	206	2.15	4.0	1.80	756	185	1.93	3.9	1.90	913	153	1.60	3.8	2.00	1050	133	1.39	3.6	2.10	323	432	4.52	6.3	1.35	GRX99 GRXF99	4P	361	387	4.04	6.2	1.50			401	348	3.64	6.1	1.65			442	316	3.30	6.0	1.85			500	279	2.92	5.8	2.10			553	253	2.64	5.7	2.30			652	214	2.24	5.4	2.70			745	188	1.96	5.3	3.00			890	157	1.64	5.0	3.20	1028	136	1.42	4.8	3.30	420	333	3.48	4.0	1.20			472	296	3.09			4.3	1.35	529			264	2.76	4.2	1.50	589	237	2.48	4.1	1.65	679	206	2.15	4.0	1.80	756	185	1.93	3.9	1.90	913	153	1.60	3.8	2.00	1050	133	1.39	3.6	2.10	323	432	4.52	6.3	1.35	GRX89 GRXF89	4P	361	387	4.04	6.2	1.50			401	348	3.64	6.1	1.65			442	316	3.30	6.0	1.85			500	279	2.92	5.8	2.10			553	253	2.64	5.7	2.30			652	214	2.24	5.4	2.70			745	188	1.96	5.3	3.00			890	157	1.64	5.0	3.20	1028	136	1.42	4.8	3.30	420	333	3.48	4.0	1.20	472	296			3.09	4.3	1.35			529	264	2.76			4.2	1.50	589	237	2.48	4.1	1.65	679	206	2.15	4.0	1.80	756	185	1.93	3.9	1.90	913	153	1.60	3.8	2.00	1050	133	1.39	3.6	2.10																																																																																																																																																																																																																																																																																																																																																																																																																																																																																																																																																																																																																																																				
420	333	3.48	4.0	1.20			472	296	3.09			4.3	1.35	529			264	2.76	4.2	1.50	589	237	2.48	4.1	1.65	679	206	2.15	4.0	1.80	756	185	1.93	3.9	1.90	913	153	1.60	3.8	2.00	1050	133	1.39	3.6	2.10	323	432	4.52	6.3	1.35	GRX99 GRXF99	4P	361	387	4.04	6.2	1.50			401	348	3.64	6.1	1.65			442	316	3.30	6.0	1.85			500	279	2.92	5.8	2.10			553	253	2.64	5.7	2.30			652	214	2.24	5.4	2.70			745	188	1.96	5.3	3.00			890	157	1.64	5.0	3.20			1028	136	1.42	4.8	3.30	420	333	3.48	4.0	1.20	472	296	3.09	4.3	1.35			529	264	2.76			4.2	1.50	589	237	2.48	4.1	1.65	679	206	2.15	4.0	1.80	756	185	1.93	3.9	1.90	913	153	1.60	3.8	2.00	1050	133	1.39	3.6	2.10	323	432	4.52	6.3	1.35	GRX89 GRXF89	4P	361	387	4.04	6.2	1.50			401	348	3.64	6.1	1.65			442	316	3.30	6.0	1.85			500	279	2.92	5.8	2.10			553	253	2.64	5.7	2.30			652	214	2.24	5.4	2.70			745	188	1.96	5.3	3.00			890	157	1.64	5.0	3.20			1028	136	1.42	4.8	3.30	420	333	3.48	4.0	1.20	472	296	3.09	4.3	1.35	529	264			2.76	4.2	1.50			589	237	2.48	4.1	1.65	679	206	2.15	4.0	1.80	756	185	1.93	3.9	1.90	913	153	1.60	3.8	2.00	1050	133	1.39	3.6	2.10																																																																																																																																																																																																																																																																																																																																																																																																																																																																																																																																																																																																																																																											
472	296	3.09	4.3	1.35			529	264	2.76			4.2	1.50	589	237	2.48	4.1	1.65	679	206	2.15	4.0	1.80	756	185	1.93	3.9	1.90	913	153	1.60	3.8	2.00	1050	133	1.39	3.6	2.10	323	432	4.52	6.3	1.35	GRX99 GRXF99	4P	361	387	4.04	6.2	1.50			401	348	3.64	6.1	1.65			442	316	3.30	6.0	1.85			500	279	2.92	5.8	2.10			553	253	2.64	5.7	2.30			652	214	2.24	5.4	2.70			745	188	1.96	5.3	3.00			890	157	1.64	5.0	3.20			1028	136	1.42	4.8	3.30			420	333	3.48	4.0	1.20	472	296	3.09	4.3	1.35	529	264	2.76	4.2	1.50			589	237	2.48	4.1	1.65	679	206	2.15	4.0	1.80	756	185	1.93	3.9	1.90	913	153	1.60	3.8	2.00	1050	133	1.39	3.6	2.10	323	432	4.52	6.3	1.35	GRX89 GRXF89	4P	361	387	4.04	6.2	1.50			401	348	3.64	6.1	1.65			442	316	3.30	6.0	1.85			500	279	2.92	5.8	2.10			553	253	2.64	5.7	2.30			652	214	2.24	5.4	2.70			745	188	1.96	5.3	3.00			890	157	1.64	5.0	3.20			1028	136	1.42	4.8	3.30			420	333	3.48	4.0	1.20	472	296	3.09	4.3	1.35	529	264	2.76	4.2	1.50	589	237			2.48	4.1	1.65	679	206	2.15	4.0	1.80	756	185	1.93	3.9	1.90	913	153	1.60	3.8	2.00	1050	133	1.39	3.6	2.10																																																																																																																																																																																																																																																																																																																																																																																																																																																																																																																																																																																																																																																																		
529	264	2.76	4.2	1.50			589	237	2.48	4.1	1.65	679	206	2.15	4.0	1.80	756	185	1.93	3.9	1.90	913	153	1.60	3.8	2.00	1050	133	1.39	3.6	2.10	323	432	4.52	6.3	1.35	GRX99 GRXF99	4P	361	387	4.04	6.2	1.50			401	348	3.64	6.1	1.65			442	316	3.30	6.0	1.85			500	279	2.92	5.8	2.10			553	253	2.64	5.7	2.30			652	214	2.24	5.4	2.70			745	188	1.96	5.3	3.00			890	157	1.64	5.0	3.20			1028	136	1.42	4.8	3.30			420	333	3.48	4.0	1.20			472	296	3.09	4.3	1.35	529	264	2.76	4.2	1.50	589	237	2.48	4.1	1.65	679	206	2.15	4.0	1.80	756	185	1.93	3.9	1.90	913	153	1.60	3.8	2.00	1050	133	1.39	3.6	2.10	323	432	4.52	6.3	1.35	GRX89 GRXF89	4P	361	387	4.04	6.2	1.50			401	348	3.64	6.1	1.65			442	316	3.30	6.0	1.85			500	279	2.92	5.8	2.10			553	253	2.64	5.7	2.30			652	214	2.24	5.4	2.70			745	188	1.96	5.3	3.00			890	157	1.64	5.0	3.20			1028	136	1.42	4.8	3.30			420	333	3.48	4.0	1.20			472	296	3.09	4.3	1.35	529	264	2.76	4.2	1.50	589	237	2.48	4.1	1.65	679	206	2.15	4.0	1.80	756	185	1.93	3.9	1.90	913	153	1.60	3.8	2.00	1050	133	1.39	3.6	2.10																																																																																																																																																																																																																																																																																																																																																																																																																																																																																																																																																																																																																																																																									
589	237	2.48	4.1	1.65	679	206	2.15	4.0	1.80	756	185	1.93	3.9	1.90	913	153	1.60	3.8	2.00	1050	133	1.39	3.6	2.10	323	432	4.52	6.3	1.35	GRX99 GRXF99	4P	361	387	4.04	6.2	1.50			401	348	3.64	6.1	1.65			442	316	3.30	6.0	1.85			500	279	2.92	5.8	2.10			553	253	2.64	5.7	2.30			652	214	2.24	5.4	2.70			745	188	1.96	5.3	3.00			890	157	1.64	5.0	3.20			1028	136	1.42	4.8	3.30			420	333	3.48	4.0	1.20			472	296	3.09	4.3	1.35			529	264	2.76	4.2	1.50	589	237	2.48	4.1	1.65	679	206	2.15	4.0	1.80	756	185	1.93	3.9	1.90	913	153	1.60	3.8	2.00	1050	133	1.39	3.6	2.10	323	432	4.52	6.3	1.35	GRX89 GRXF89	4P	361	387	4.04			6.2	1.50	401	348	3.64			6.1	1.65	442	316	3.30			6.0	1.85	500	279	2.92			5.8	2.10	553	253	2.64			5.7	2.30	652	214	2.24			5.4	2.70	745	188	1.96			5.3	3.00	890	157	1.64			5.0	3.20	1028	136	1.42			4.8	3.30	420	333	3.48			4.0	1.20	472	296	3.09			4.3	1.35	529	264	2.76	4.2	1.50	589	237	2.48	4.1	1.65	679	206	2.15	4.0	1.80	756	185	1.93	3.9	1.90	913	153	1.60	3.8	2.00	1050	133	1.39	3.6	2.10																																																																																																																																																																																																																																																																																																																																																																																																																																																																																																																																																																																																																																																																												
679	206	2.15	4.0	1.80	756	185	1.93	3.9	1.90	913	153	1.60	3.8	2.00	1050	133	1.39	3.6	2.10	323	432	4.52	6.3	1.35	GRX99 GRXF99	4P	361	387	4.04			6.2	1.50	401	348	3.64			6.1	1.65	442	316	3.30			6.0	1.85	500	279	2.92			5.8	2.10	553	253	2.64			5.7	2.30	652	214	2.24			5.4	2.70	745	188	1.96			5.3	3.00	890	157	1.64			5.0	3.20	1028	136	1.42			4.8	3.30	420	333	3.48			4.0	1.20	472	296	3.09			4.3	1.35	529	264	2.76	4.2	1.50	589	237	2.48	4.1	1.65	679	206	2.15	4.0	1.80	756	185	1.93	3.9	1.90	913	153	1.60	3.8	2.00	1050	133	1.39	3.6	2.10	323	432	4.52	6.3	1.35	GRX89 GRXF89	4P	361	387	4.04			6.2	1.50	401			348	3.64	6.1	1.65	442			316	3.30	6.0	1.85	500			279	2.92	5.8	2.10	553			253	2.64	5.7	2.30	652			214	2.24	5.4	2.70	745			188	1.96	5.3	3.00	890			157	1.64	5.0	3.20	1028			136	1.42	4.8	3.30	420			333	3.48	4.0	1.20	472			296	3.09	4.3	1.35	529	264	2.76	4.2	1.50	589	237	2.48	4.1	1.65	679	206	2.15	4.0	1.80	756	185	1.93	3.9	1.90	913	153	1.60	3.8	2.00	1050	133	1.39	3.6	2.10																																																																																																																																																																																																																																																																																																																																																																																																																																																																																																																																																																																																																																																																																	
756	185	1.93	3.9	1.90	913	153	1.60	3.8	2.00	1050	133	1.39	3.6	2.10	323	432	4.52	6.3	1.35	GRX99 GRXF99	4P	361	387	4.04			6.2	1.50	401			348	3.64	6.1	1.65	442			316	3.30	6.0	1.85	500			279	2.92	5.8	2.10	553			253	2.64	5.7	2.30	652			214	2.24	5.4	2.70	745			188	1.96	5.3	3.00	890			157	1.64	5.0	3.20	1028			136	1.42	4.8	3.30	420			333	3.48	4.0	1.20	472			296	3.09	4.3	1.35	529	264	2.76	4.2	1.50	589	237	2.48	4.1	1.65	679	206	2.15	4.0	1.80	756	185	1.93	3.9	1.90	913	153	1.60	3.8	2.00	1050	133	1.39	3.6	2.10	323	432	4.52	6.3	1.35	GRX89 GRXF89	4P	361	387	4.04			6.2	1.50	401			348	3.64	6.1			1.65	442	316	3.30	6.0			1.85	500	279	2.92	5.8			2.10	553	253	2.64	5.7			2.30	652	214	2.24	5.4			2.70	745	188	1.96	5.3			3.00	890	157	1.64	5.0			3.20	1028	136	1.42	4.8			3.30	420	333	3.48	4.0			1.20	472	296	3.09	4.3	1.35	529	264	2.76	4.2	1.50	589	237	2.48	4.1	1.65	679	206	2.15	4.0	1.80	756	185	1.93	3.9	1.90	913	153	1.60	3.8	2.00	1050	133	1.39	3.6	2.10																																																																																																																																																																																																																																																																																																																																																																																																																																																																																																																																																																																																																																																																																						
913	153	1.60	3.8	2.00	1050	133	1.39	3.6	2.10	323	432	4.52	6.3	1.35	GRX99 GRXF99	4P	361	387	4.04			6.2	1.50	401			348	3.64	6.1			1.65	442	316	3.30	6.0			1.85	500	279	2.92	5.8			2.10	553	253	2.64	5.7			2.30	652	214	2.24	5.4			2.70	745	188	1.96	5.3			3.00	890	157	1.64	5.0			3.20	1028	136	1.42	4.8			3.30	420	333	3.48	4.0			1.20	472	296	3.09	4.3	1.35	529	264	2.76	4.2	1.50	589	237	2.48	4.1	1.65	679	206	2.15	4.0	1.80	756	185	1.93	3.9	1.90	913	153	1.60	3.8	2.00	1050	133	1.39	3.6	2.10	323	432	4.52	6.3	1.35	GRX89 GRXF89	4P	361	387	4.04			6.2	1.50	401			348	3.64	6.1			1.65	442	316			3.30	6.0	1.85	500	279			2.92	5.8	2.10	553	253			2.64	5.7	2.30	652	214			2.24	5.4	2.70	745	188			1.96	5.3	3.00	890	157			1.64	5.0	3.20	1028	136			1.42	4.8	3.30	420	333			3.48	4.0	1.20	472	296	3.09	4.3	1.35	529	264	2.76	4.2	1.50	589	237	2.48	4.1	1.65	679	206	2.15	4.0	1.80	756	185	1.93	3.9	1.90	913	153	1.60	3.8	2.00	1050	133	1.39	3.6	2.10																																																																																																																																																																																																																																																																																																																																																																																																																																																																																																																																																																																																																																																																																											
1050	133	1.39	3.6	2.10	323	432	4.52	6.3	1.35	GRX99 GRXF99	4P	361	387	4.04			6.2	1.50	401			348	3.64	6.1			1.65	442	316			3.30	6.0	1.85	500	279			2.92	5.8	2.10	553	253			2.64	5.7	2.30	652	214			2.24	5.4	2.70	745	188			1.96	5.3	3.00	890	157			1.64	5.0	3.20	1028	136			1.42	4.8	3.30	420	333			3.48	4.0	1.20	472	296	3.09	4.3	1.35	529	264	2.76	4.2	1.50	589	237	2.48	4.1	1.65	679	206	2.15	4.0	1.80	756	185	1.93	3.9	1.90	913	153	1.60	3.8	2.00	1050	133	1.39	3.6	2.10	323	432	4.52	6.3	1.35	GRX89 GRXF89	4P	361	387	4.04			6.2	1.50	401			348	3.64	6.1			1.65	442	316			3.30	6.0	1.85			500	279	2.92	5.8	2.10			553	253	2.64	5.7	2.30			652	214	2.24	5.4	2.70			745	188	1.96	5.3	3.00			890	157	1.64	5.0	3.20			1028	136	1.42	4.8	3.30			420	333	3.48	4.0	1.20	472	296	3.09	4.3	1.35	529	264	2.76	4.2	1.50	589	237	2.48	4.1	1.65	679	206	2.15	4.0	1.80	756	185	1.93	3.9	1.90	913	153	1.60	3.8	2.00	1050	133	1.39	3.6	2.10																																																																																																																																																																																																																																																																																																																																																																																																																																																																																																																																																																																																																																																																																																
323	432	4.52	6.3	1.35	GRX99 GRXF99	4P	361	387	4.04			6.2	1.50																																																																																																																																																																																																																																																																																																																																																																																																																																																																																																																																																																																																																																																																																																																																																																																																																																																																																																																											
401	348	3.64	6.1	1.65			442	316	3.30			6.0	1.85	500			279	2.92	5.8			2.10	553	253			2.64	5.7	2.30			652	214	2.24	5.4	2.70			745	188	1.96	5.3	3.00			890	157	1.64	5.0	3.20			1028	136	1.42	4.8	3.30			420	333	3.48	4.0	1.20			472	296	3.09	4.3	1.35	529	264	2.76	4.2	1.50	589	237	2.48	4.1	1.65	679	206	2.15	4.0	1.80	756	185	1.93	3.9	1.90	913	153	1.60	3.8	2.00	1050	133	1.39	3.6	2.10	323	432	4.52	6.3	1.35	GRX89 GRXF89	4P	361	387	4.04	6.2	1.50	401	348	3.64	6.1	1.65	442	316	3.30	6.0	1.85			500	279	2.92			5.8	2.10	553			253	2.64	5.7			2.30	652	214			2.24	5.4	2.70			745	188	1.96	5.3	3.00			890	157	1.64	5.0	3.20			1028	136	1.42	4.8	3.30			420	333	3.48	4.0	1.20			472	296	3.09	4.3	1.35	529	264	2.76	4.2	1.50	589	237	2.48	4.1	1.65	679	206	2.15	4.0	1.80	756	185	1.93	3.9	1.90	913	153	1.60	3.8	2.00	1050	133	1.39	3.6	2.10																																																																																																																																																																																																																																																																																																																																																																																																																																																																																																																																																																																																																																																																																																																			
442	316	3.30	6.0	1.85			500	279	2.92			5.8	2.10	553			253	2.64	5.7			2.30	652	214			2.24	5.4	2.70			745	188	1.96	5.3	3.00			890	157	1.64	5.0	3.20			1028	136	1.42	4.8	3.30			420	333	3.48	4.0	1.20			472	296	3.09	4.3	1.35	529	264	2.76	4.2	1.50	589	237	2.48	4.1	1.65	679	206	2.15	4.0	1.80	756	185	1.93	3.9	1.90	913	153	1.60	3.8	2.00	1050	133	1.39	3.6	2.10	323	432	4.52	6.3	1.35	GRX89 GRXF89	4P	361	387	4.04	6.2	1.50			401	348	3.64	6.1	1.65	442	316	3.30	6.0	1.85	500	279	2.92	5.8	2.10			553	253	2.64			5.7	2.30	652			214	2.24	5.4			2.70	745	188			1.96	5.3	3.00			890	157	1.64	5.0	3.20			1028	136	1.42	4.8	3.30			420	333	3.48	4.0	1.20			472	296	3.09	4.3	1.35	529	264	2.76	4.2	1.50	589	237	2.48	4.1	1.65	679	206	2.15	4.0	1.80	756	185	1.93	3.9	1.90	913	153	1.60	3.8	2.00	1050	133	1.39	3.6	2.10																																																																																																																																																																																																																																																																																																																																																																																																																																																																																																																																																																																																																																																																																																																										
500	279	2.92	5.8	2.10			553	253	2.64			5.7	2.30	652			214	2.24	5.4			2.70	745	188			1.96	5.3	3.00			890	157	1.64	5.0	3.20			1028	136	1.42	4.8	3.30			420	333	3.48	4.0	1.20			472	296	3.09	4.3	1.35	529	264	2.76	4.2	1.50	589	237	2.48	4.1	1.65	679	206	2.15	4.0	1.80	756	185	1.93	3.9	1.90	913	153	1.60	3.8	2.00	1050	133	1.39	3.6	2.10	323	432	4.52	6.3	1.35	GRX89 GRXF89	4P	361	387	4.04	6.2	1.50			401	348	3.64	6.1	1.65			442	316	3.30	6.0	1.85	500	279	2.92	5.8	2.10	553	253	2.64	5.7	2.30			652	214	2.24			5.4	2.70	745			188	1.96	5.3			3.00	890	157			1.64	5.0	3.20			1028	136	1.42	4.8	3.30			420	333	3.48	4.0	1.20			472	296	3.09	4.3	1.35	529	264	2.76	4.2	1.50	589	237	2.48	4.1	1.65	679	206	2.15	4.0	1.80	756	185	1.93	3.9	1.90	913	153	1.60	3.8	2.00	1050	133	1.39	3.6	2.10																																																																																																																																																																																																																																																																																																																																																																																																																																																																																																																																																																																																																																																																																																																																	
553	253	2.64	5.7	2.30			652	214	2.24			5.4	2.70	745			188	1.96	5.3			3.00	890	157			1.64	5.0	3.20			1028	136	1.42	4.8	3.30			420	333	3.48	4.0	1.20			472	296	3.09	4.3	1.35	529	264	2.76	4.2	1.50	589	237	2.48	4.1	1.65	679	206	2.15	4.0	1.80	756	185	1.93	3.9	1.90	913	153	1.60	3.8	2.00	1050	133	1.39	3.6	2.10	323	432	4.52	6.3	1.35	GRX89 GRXF89	4P	361	387	4.04	6.2	1.50			401	348	3.64	6.1	1.65			442	316	3.30	6.0	1.85			500	279	2.92	5.8	2.10	553	253	2.64	5.7	2.30	652	214	2.24	5.4	2.70			745	188	1.96			5.3	3.00	890			157	1.64	5.0			3.20	1028	136			1.42	4.8	3.30			420	333	3.48	4.0	1.20			472	296	3.09	4.3	1.35	529	264	2.76	4.2	1.50	589	237	2.48	4.1	1.65	679	206	2.15	4.0	1.80	756	185	1.93	3.9	1.90	913	153	1.60	3.8	2.00	1050	133	1.39	3.6	2.10																																																																																																																																																																																																																																																																																																																																																																																																																																																																																																																																																																																																																																																																																																																																								
652	214	2.24	5.4	2.70			745	188	1.96			5.3	3.00	890			157	1.64	5.0			3.20	1028	136			1.42	4.8	3.30			420	333	3.48	4.0	1.20			472	296	3.09	4.3	1.35	529	264	2.76	4.2	1.50	589	237	2.48	4.1	1.65	679	206	2.15	4.0	1.80	756	185	1.93	3.9	1.90	913	153	1.60	3.8	2.00	1050	133	1.39	3.6	2.10	323	432	4.52	6.3	1.35	GRX89 GRXF89	4P	361	387	4.04	6.2	1.50			401	348	3.64	6.1	1.65			442	316	3.30	6.0	1.85			500	279	2.92	5.8	2.10			553	253	2.64	5.7	2.30	652	214	2.24	5.4	2.70	745	188	1.96	5.3	3.00			890	157	1.64			5.0	3.20	1028			136	1.42	4.8			3.30	420	333			3.48	4.0	1.20			472	296	3.09	4.3	1.35	529	264	2.76	4.2	1.50	589	237	2.48	4.1	1.65	679	206	2.15	4.0	1.80	756	185	1.93	3.9	1.90	913	153	1.60	3.8	2.00	1050	133	1.39	3.6	2.10																																																																																																																																																																																																																																																																																																																																																																																																																																																																																																																																																																																																																																																																																																																																															
745	188	1.96	5.3	3.00			890	157	1.64			5.0	3.20	1028			136	1.42	4.8			3.30	420	333			3.48	4.0	1.20			472	296	3.09	4.3	1.35	529	264	2.76	4.2	1.50	589	237	2.48	4.1	1.65	679	206	2.15	4.0	1.80	756	185	1.93	3.9	1.90	913	153	1.60	3.8	2.00	1050	133	1.39	3.6	2.10	323	432	4.52	6.3	1.35	GRX89 GRXF89	4P	361	387	4.04	6.2	1.50			401	348	3.64	6.1	1.65			442	316	3.30	6.0	1.85			500	279	2.92	5.8	2.10			553	253	2.64	5.7	2.30			652	214	2.24	5.4	2.70	745	188	1.96	5.3	3.00	890	157	1.64	5.0	3.20			1028	136	1.42			4.8	3.30	420			333	3.48	4.0			1.20	472	296			3.09	4.3	1.35	529	264	2.76	4.2	1.50	589	237	2.48	4.1	1.65	679	206	2.15	4.0	1.80	756	185	1.93	3.9	1.90	913	153	1.60	3.8	2.00	1050	133	1.39	3.6	2.10																																																																																																																																																																																																																																																																																																																																																																																																																																																																																																																																																																																																																																																																																																																																																						
890	157	1.64	5.0	3.20			1028	136	1.42			4.8	3.30	420			333	3.48	4.0			1.20	472	296			3.09	4.3	1.35	529	264	2.76	4.2	1.50	589	237	2.48	4.1	1.65	679	206	2.15	4.0	1.80	756	185	1.93	3.9	1.90	913	153	1.60	3.8	2.00	1050	133	1.39	3.6	2.10	323	432	4.52	6.3	1.35	GRX89 GRXF89	4P	361	387	4.04	6.2	1.50			401	348	3.64	6.1	1.65			442	316	3.30	6.0	1.85			500	279	2.92	5.8	2.10			553	253	2.64	5.7	2.30			652	214	2.24	5.4	2.70			745	188	1.96	5.3	3.00	890	157	1.64	5.0	3.20	1028	136	1.42	4.8	3.30			420	333	3.48			4.0	1.20	472			296	3.09	4.3			1.35	529	264	2.76	4.2	1.50	589	237	2.48	4.1	1.65	679	206	2.15	4.0	1.80	756	185	1.93	3.9	1.90	913	153	1.60	3.8	2.00	1050	133	1.39	3.6	2.10																																																																																																																																																																																																																																																																																																																																																																																																																																																																																																																																																																																																																																																																																																																																																													
1028	136	1.42	4.8	3.30			420	333	3.48			4.0	1.20	472			296	3.09	4.3			1.35	529	264	2.76	4.2	1.50	589	237	2.48	4.1	1.65	679	206	2.15	4.0	1.80	756	185	1.93	3.9	1.90	913	153	1.60	3.8	2.00	1050	133	1.39	3.6	2.10	323	432	4.52	6.3	1.35	GRX89 GRXF89	4P	361	387	4.04	6.2	1.50			401	348	3.64	6.1	1.65			442	316	3.30	6.0	1.85			500	279	2.92	5.8	2.10			553	253	2.64	5.7	2.30			652	214	2.24	5.4	2.70			745	188	1.96	5.3	3.00			890	157	1.64	5.0	3.20	1028	136	1.42	4.8	3.30	420	333	3.48	4.0	1.20			472	296	3.09			4.3	1.35	529			264	2.76	4.2	1.50	589	237	2.48	4.1	1.65	679	206	2.15	4.0	1.80	756	185	1.93	3.9	1.90	913	153	1.60	3.8	2.00	1050	133	1.39	3.6	2.10																																																																																																																																																																																																																																																																																																																																																																																																																																																																																																																																																																																																																																																																																																																																																																				
420	333	3.48	4.0	1.20			472	296	3.09			4.3	1.35	529			264	2.76	4.2	1.50	589	237	2.48	4.1	1.65	679	206	2.15	4.0	1.80	756	185	1.93	3.9	1.90	913	153	1.60	3.8	2.00	1050	133	1.39	3.6	2.10	323	432	4.52	6.3	1.35	GRX89 GRXF89	4P	361	387	4.04	6.2	1.50			401	348	3.64	6.1	1.65			442	316	3.30	6.0	1.85			500	279	2.92	5.8	2.10			553	253	2.64	5.7	2.30			652	214	2.24	5.4	2.70			745	188	1.96	5.3	3.00			890	157	1.64	5.0	3.20			1028	136	1.42	4.8	3.30	420	333	3.48	4.0	1.20	472	296	3.09	4.3	1.35			529	264	2.76			4.2	1.50	589	237	2.48	4.1	1.65	679	206	2.15	4.0	1.80	756	185	1.93	3.9	1.90	913	153	1.60	3.8	2.00	1050	133	1.39	3.6	2.10																																																																																																																																																																																																																																																																																																																																																																																																																																																																																																																																																																																																																																																																																																																																																																											
472	296	3.09	4.3	1.35			529	264	2.76			4.2	1.50	589	237	2.48	4.1	1.65	679	206	2.15	4.0	1.80	756	185	1.93	3.9	1.90	913	153	1.60	3.8	2.00	1050	133	1.39	3.6	2.10	323	432	4.52	6.3	1.35	GRX89 GRXF89	4P	361	387	4.04	6.2	1.50			401	348	3.64	6.1	1.65			442	316	3.30	6.0	1.85			500	279	2.92	5.8	2.10			553	253	2.64	5.7	2.30			652	214	2.24	5.4	2.70			745	188	1.96	5.3	3.00			890	157	1.64	5.0	3.20			1028	136	1.42	4.8	3.30			420	333	3.48	4.0	1.20	472	296	3.09	4.3	1.35	529	264	2.76	4.2	1.50			589	237	2.48	4.1	1.65	679	206	2.15	4.0	1.80	756	185	1.93	3.9	1.90	913	153	1.60	3.8	2.00	1050	133	1.39	3.6	2.10																																																																																																																																																																																																																																																																																																																																																																																																																																																																																																																																																																																																																																																																																																																																																																																		
529	264	2.76	4.2	1.50			589	237	2.48	4.1	1.65	679	206	2.15	4.0	1.80	756	185	1.93	3.9	1.90	913	153	1.60	3.8	2.00	1050	133	1.39	3.6	2.10	323	432	4.52	6.3	1.35	GRX89 GRXF89	4P	361	387	4.04	6.2	1.50			401	348	3.64	6.1	1.65			442	316	3.30	6.0	1.85			500	279	2.92	5.8	2.10			553	253	2.64	5.7	2.30			652	214	2.24	5.4	2.70			745	188	1.96	5.3	3.00			890	157	1.64	5.0	3.20			1028	136	1.42	4.8	3.30			420	333	3.48	4.0	1.20			472	296	3.09	4.3	1.35	529	264	2.76	4.2	1.50	589	237	2.48	4.1	1.65	679	206	2.15	4.0	1.80	756	185	1.93	3.9	1.90	913	153	1.60	3.8	2.00	1050	133	1.39	3.6	2.10																																																																																																																																																																																																																																																																																																																																																																																																																																																																																																																																																																																																																																																																																																																																																																																									
589	237	2.48	4.1	1.65	679	206	2.15	4.0	1.80	756	185	1.93	3.9	1.90	913	153	1.60	3.8	2.00	1050	133	1.39	3.6	2.10	323	432	4.52	6.3	1.35	GRX89 GRXF89	4P	361	387	4.04	6.2	1.50			401	348	3.64	6.1	1.65			442	316	3.30	6.0	1.85			500	279	2.92	5.8	2.10			553	253	2.64	5.7	2.30			652	214	2.24	5.4	2.70			745	188	1.96	5.3	3.00			890	157	1.64	5.0	3.20			1028	136	1.42	4.8	3.30			420	333	3.48	4.0	1.20			472	296	3.09	4.3	1.35			529	264	2.76	4.2	1.50	589	237	2.48	4.1	1.65	679	206	2.15	4.0	1.80	756	185	1.93	3.9	1.90	913	153	1.60	3.8	2.00	1050	133	1.39	3.6	2.10																																																																																																																																																																																																																																																																																																																																																																																																																																																																																																																																																																																																																																																																																																																																																																																														
679	206	2.15	4.0	1.80	756	185	1.93	3.9	1.90	913	153	1.60	3.8	2.00	1050	133	1.39	3.6	2.10	323	432	4.52	6.3	1.35	GRX89 GRXF89	4P	361	387	4.04			6.2	1.50	401	348	3.64			6.1	1.65	442	316	3.30			6.0	1.85	500	279	2.92			5.8	2.10	553	253	2.64			5.7	2.30	652	214	2.24			5.4	2.70	745	188	1.96			5.3	3.00	890	157	1.64			5.0	3.20	1028	136	1.42			4.8	3.30	420	333	3.48			4.0	1.20	472	296	3.09			4.3	1.35	529	264	2.76	4.2	1.50	589	237	2.48	4.1	1.65	679	206	2.15	4.0	1.80	756	185	1.93	3.9	1.90	913	153	1.60	3.8	2.00	1050	133	1.39	3.6	2.10																																																																																																																																																																																																																																																																																																																																																																																																																																																																																																																																																																																																																																																																																																																																																																																																			
756	185	1.93	3.9	1.90	913	153	1.60	3.8	2.00	1050	133	1.39	3.6	2.10	323	432	4.52	6.3	1.35	GRX89 GRXF89	4P	361	387	4.04			6.2	1.50	401			348	3.64	6.1	1.65	442			316	3.30	6.0	1.85	500			279	2.92	5.8	2.10	553			253	2.64	5.7	2.30	652			214	2.24	5.4	2.70	745			188	1.96	5.3	3.00	890			157	1.64	5.0	3.20	1028			136	1.42	4.8	3.30	420			333	3.48	4.0	1.20	472			296	3.09	4.3	1.35	529	264	2.76	4.2	1.50	589	237	2.48	4.1	1.65	679	206	2.15	4.0	1.80	756	185	1.93	3.9	1.90	913	153	1.60	3.8	2.00	1050	133	1.39	3.6	2.10																																																																																																																																																																																																																																																																																																																																																																																																																																																																																																																																																																																																																																																																																																																																																																																																								
913	153	1.60	3.8	2.00	1050	133	1.39	3.6	2.10	323	432	4.52	6.3	1.35	GRX89 GRXF89	4P	361	387	4.04			6.2	1.50	401			348	3.64	6.1			1.65	442	316	3.30	6.0			1.85	500	279	2.92	5.8			2.10	553	253	2.64	5.7			2.30	652	214	2.24	5.4			2.70	745	188	1.96	5.3			3.00	890	157	1.64	5.0			3.20	1028	136	1.42	4.8			3.30	420	333	3.48	4.0			1.20	472	296	3.09	4.3	1.35	529	264	2.76	4.2	1.50	589	237	2.48	4.1	1.65	679	206	2.15	4.0	1.80	756	185	1.93	3.9	1.90	913	153	1.60	3.8	2.00	1050	133	1.39	3.6	2.10																																																																																																																																																																																																																																																																																																																																																																																																																																																																																																																																																																																																																																																																																																																																																																																																													
1050	133	1.39	3.6	2.10	323	432	4.52	6.3	1.35	GRX89 GRXF89	4P	361	387	4.04			6.2	1.50	401			348	3.64	6.1			1.65	442	316			3.30	6.0	1.85	500	279			2.92	5.8	2.10	553	253			2.64	5.7	2.30	652	214			2.24	5.4	2.70	745	188			1.96	5.3	3.00	890	157			1.64	5.0	3.20	1028	136			1.42	4.8	3.30	420	333			3.48	4.0	1.20	472	296	3.09	4.3	1.35	529	264	2.76	4.2	1.50	589	237	2.48	4.1	1.65	679	206	2.15	4.0	1.80	756	185	1.93	3.9	1.90	913	153	1.60	3.8	2.00	1050	133	1.39	3.6	2.10																																																																																																																																																																																																																																																																																																																																																																																																																																																																																																																																																																																																																																																																																																																																																																																																																		
323	432	4.52	6.3	1.35	GRX89 GRXF89	4P	361	387	4.04			6.2	1.50																																																																																																																																																																																																																																																																																																																																																																																																																																																																																																																																																																																																																																																																																																																																																																																																																																																																																																																											
401	348	3.64	6.1	1.65			442	316	3.30			6.0	1.85	500			279	2.92	5.8			2.10	553	253			2.64	5.7	2.30			652	214	2.24	5.4	2.70			745	188	1.96	5.3	3.00			890	157	1.64	5.0	3.20			1028	136	1.42	4.8	3.30			420	333	3.48	4.0	1.20			472	296	3.09	4.3	1.35	529	264	2.76	4.2	1.50	589	237	2.48	4.1	1.65	679	206	2.15	4.0	1.80	756	185	1.93	3.9	1.90	913	153	1.60	3.8	2.00	1050	133	1.39	3.6	2.10																																																																																																																																																																																																																																																																																																																																																																																																																																																																																																																																																																																																																																																																																																																																																																																																																																			
442	316	3.30	6.0	1.85			500	279	2.92			5.8	2.10	553			253	2.64	5.7			2.30	652	214			2.24	5.4	2.70			745	188	1.96	5.3	3.00			890	157	1.64	5.0	3.20			1028	136	1.42	4.8	3.30			420	333	3.48	4.0	1.20			472	296	3.09	4.3	1.35	529	264	2.76	4.2	1.50	589	237	2.48	4.1	1.65	679	206	2.15	4.0	1.80	756	185	1.93	3.9	1.90	913	153	1.60	3.8	2.00	1050	133	1.39	3.6	2.10																																																																																																																																																																																																																																																																																																																																																																																																																																																																																																																																																																																																																																																																																																																																																																																																																																										
500	279	2.92	5.8	2.10			553	253	2.64			5.7	2.30	652			214	2.24	5.4			2.70	745	188			1.96	5.3	3.00			890	157	1.64	5.0	3.20			1028	136	1.42	4.8	3.30			420	333	3.48	4.0	1.20			472	296	3.09	4.3	1.35	529	264	2.76	4.2	1.50	589	237	2.48	4.1	1.65	679	206	2.15	4.0	1.80	756	185	1.93	3.9	1.90	913	153	1.60	3.8	2.00	1050	133	1.39	3.6	2.10																																																																																																																																																																																																																																																																																																																																																																																																																																																																																																																																																																																																																																																																																																																																																																																																																																																	
553	253	2.64	5.7	2.30			652	214	2.24			5.4	2.70	745			188	1.96	5.3			3.00	890	157			1.64	5.0	3.20			1028	136	1.42	4.8	3.30			420	333	3.48	4.0	1.20			472	296	3.09	4.3	1.35	529	264	2.76	4.2	1.50	589	237	2.48	4.1	1.65	679	206	2.15	4.0	1.80	756	185	1.93	3.9	1.90	913	153	1.60	3.8	2.00	1050	133	1.39	3.6	2.10																																																																																																																																																																																																																																																																																																																																																																																																																																																																																																																																																																																																																																																																																																																																																																																																																																																								
652	214	2.24	5.4	2.70			745	188	1.96			5.3	3.00	890			157	1.64	5.0			3.20	1028	136			1.42	4.8	3.30			420	333	3.48	4.0	1.20			472	296	3.09	4.3	1.35	529	264	2.76	4.2	1.50	589	237	2.48	4.1	1.65	679	206	2.15	4.0	1.80	756	185	1.93	3.9	1.90	913	153	1.60	3.8	2.00	1050	133	1.39	3.6	2.10																																																																																																																																																																																																																																																																																																																																																																																																																																																																																																																																																																																																																																																																																																																																																																																																																																																															
745	188	1.96	5.3	3.00			890	157	1.64			5.0	3.20	1028			136	1.42	4.8			3.30	420	333			3.48	4.0	1.20			472	296	3.09	4.3	1.35	529	264	2.76	4.2	1.50	589	237	2.48	4.1	1.65	679	206	2.15	4.0	1.80	756	185	1.93	3.9	1.90	913	153	1.60	3.8	2.00	1050	133	1.39	3.6	2.10																																																																																																																																																																																																																																																																																																																																																																																																																																																																																																																																																																																																																																																																																																																																																																																																																																																																						
890	157	1.64	5.0	3.20			1028	136	1.42			4.8	3.30	420			333	3.48	4.0			1.20	472	296			3.09	4.3	1.35	529	264	2.76	4.2	1.50	589	237	2.48	4.1	1.65	679	206	2.15	4.0	1.80	756	185	1.93	3.9	1.90	913	153	1.60	3.8	2.00	1050	133	1.39	3.6	2.10																																																																																																																																																																																																																																																																																																																																																																																																																																																																																																																																																																																																																																																																																																																																																																																																																																																																													
1028	136	1.42	4.8	3.30			420	333	3.48			4.0	1.20	472			296	3.09	4.3			1.35	529	264	2.76	4.2	1.50	589	237	2.48	4.1	1.65	679	206	2.15	4.0	1.80	756	185	1.93	3.9	1.90	913	153	1.60	3.8	2.00	1050	133	1.39	3.6	2.10																																																																																																																																																																																																																																																																																																																																																																																																																																																																																																																																																																																																																																																																																																																																																																																																																																																																																				
420	333	3.48	4.0	1.20			472	296	3.09			4.3	1.35	529			264	2.76	4.2	1.50	589	237	2.48	4.1	1.65	679	206	2.15	4.0	1.80	756	185	1.93	3.9	1.90	913	153	1.60	3.8	2.00	1050	133	1.39	3.6	2.10																																																																																																																																																																																																																																																																																																																																																																																																																																																																																																																																																																																																																																																																																																																																																																																																																																																																																											
472	296	3.09	4.3	1.35			529	264	2.76			4.2	1.50	589	237	2.48	4.1	1.65	679	206	2.15	4.0	1.80	756	185	1.93	3.9	1.90	913	153	1.60	3.8	2.00	1050	133	1.39	3.6	2.10																																																																																																																																																																																																																																																																																																																																																																																																																																																																																																																																																																																																																																																																																																																																																																																																																																																																																																		
529	264	2.76	4.2	1.50			589	237	2.48	4.1	1.65	679	206	2.15	4.0	1.80	756	185	1.93	3.9	1.90	913	153	1.60	3.8	2.00	1050	133	1.39	3.6	2.10																																																																																																																																																																																																																																																																																																																																																																																																																																																																																																																																																																																																																																																																																																																																																																																																																																																																																																									
589	237	2.48	4.1	1.65	679	206	2.15	4.0	1.80	756	185	1.93	3.9	1.90	913	153	1.60	3.8	2.00	1050	133	1.39	3.6	2.10																																																																																																																																																																																																																																																																																																																																																																																																																																																																																																																																																																																																																																																																																																																																																																																																																																																																																																																
679	206	2.15	4.0	1.80	756	185	1.93	3.9	1.90	913	153	1.60	3.8	2.00	1050	133	1.39	3.6	2.10																																																																																																																																																																																																																																																																																																																																																																																																																																																																																																																																																																																																																																																																																																																																																																																																																																																																																																																					
756	185	1.93	3.9	1.90	913	153	1.60	3.8	2.00	1050	133	1.39	3.6	2.10																																																																																																																																																																																																																																																																																																																																																																																																																																																																																																																																																																																																																																																																																																																																																																																																																																																																																																																										
913	153	1.60	3.8	2.00	1050	133	1.39	3.6	2.10																																																																																																																																																																																																																																																																																																																																																																																																																																																																																																																																																																																																																																																																																																																																																																																																																																																																																																																															
1050	133	1.39	3.6	2.10																																																																																																																																																																																																																																																																																																																																																																																																																																																																																																																																																																																																																																																																																																																																																																																																																																																																																																																																				

选型参数表

(恒功率) 18.5kW

Selection Table

(Constant Power) 18.5kW

n_a [r/min]	M_a [Nm]	i	F_{Ra} [kN]	f_B	机型号 Type size	极数 Pole	n_a [r/min]	M_a [Nm]	i	F_{Ra} [kN]	f_B	机型号 Type size	极数 Pole
18.5kW							18.5kW						
4.0	39483	364	128	0.9			59	2843	24.90	20	1.45		
4.4	35903	331	128	1.0			65	2583	22.62	20	1.60		
5.0	31781	293	128	1.2	GR179R109	4P	73	2292	20.07	19	1.80		
5.5	28853	266	128	1.3	GRF179R109		81	2079	18.21	19	1.95	GR109	4P
6.4	24839	229	128	1.5			94	1787	15.65	18	2.30	GRF109	
7.4	21694	200	128	1.7			108	1560	13.66	18	2.60		
8.7	18331	169	128	2.0			127	1323	11.59	17	3.10		
3.6	44255	408	128	0.8	GR179R99	4P	145	1157	10.13	16	3.50		
4.1	38615	356	128	0.9	GRF179R99		187	897	7.86	15	3.10		
5.0	31998	295	128	1.1			221	760	6.66	15	3.70		
5.5	30781	177.89	128	1.10	GR179	6P	73	2300	20.14	14	1.05		
6.3	26813	154.96	128	1.20	GRF179		81	2083	18.24	14	1.15		
7.1	23757	137.30	128	1.40			91	1846	16.17	14	1.25		
7.6	22160	194.08	128	1.50	GR179	4P	101	1669	14.62	13	1.30	GR99	4P
8.3	20311	177.89	128	1.65	GRF179		119	1415	12.39	13	1.45	GRF99	
9.5	17693	154.96	128	1.85			136	1237	10.83	13	1.60		
10.7	15677	137.30	128	2.10			158	1061	9.29	13	1.80		
7.9	21343	186.93	114	0.80			175	958	8.39	12	2.00		
9.6	17477	153.07	114	1.00			206	813	7.12	12	2.30		
11	15983	139.98	114	1.05			237	709	6.21	11	2.50		
12	13908	121.81	114	1.25			283	594	5.20	11	2.80		
14	12273	107.49	114	1.40	GR169	4P	327	514	4.50	11	3.00		
16	10640	93.19	114	1.60	GRF169		110	1528	13.38	10	0.80		
18	9466	82.91	114	1.80			123	1368	11.98	9.9	0.85		
20	8415	73.70	114	2.00			148	1135	9.94	9.7	1.00	GR89	4P
22	7696	67.40	114	2.20			161	1045	9.15	10	1.10	GRF89	
25	6697	58.65	114	2.50			179	940	8.23	9.8	1.15		
28	5910	51.76	114	2.80			206	815	7.14	9.5	1.25		
33	5123	44.87	114	3.20			230	730	6.39	9.3	1.30		
12	13685	119.86	54	0.90			277	606	5.31	8.9	1.40		
13	12481	109.31	59	1.00			341	492	4.31	10	2.30		
16	10801	94.60	62	1.15			374	449	3.93	5.9	2.90	GRX139	4P
18	9530	83.47	64	1.30			432	388	3.40	5.9	3.40	GRXF139	
20	8231	72.09	66	1.50	GR149	4P	490	343	3.00	6.5	4.00		
22	7649	66.99	67	1.60	GRF149		568	296	2.59	6.9	4.25		
24	6975	61.09	67	1.75			642	261	2.29	5.9	4.35		
28	6037	52.87	68	2.00			762	220	1.93	6.0	4.90		
32	5326	46.65	69	2.30			350	480	4.20	7.3	1.65		
36	4600	40.29	69	2.70			386	435	3.81	7.2	1.80		
41	4069	35.64	69	3.00			435	386	3.38	7.0	2.00	GRX109	4P
49	3420	29.95	69	3.50			479	351	3.07	6.9	2.20	GRXF109	
18	9238	80.91	37	0.80			557	301	2.64	6.7	2.60		
20	8391	73.49	48	0.90			639	263	2.30	6.4	3.00		
23	7444	65.20	51	1.00			754	223	1.95	6.2	3.20		
25	6756	59.17	52	1.10	GR139	4P	860	195	1.71	6.0	3.40		
29	5807	50.86	54	1.30	GRF139		1021	164	1.44	5.7	3.70		
33	5068	44.39	55	1.50			404	416	3.64	5.8	1.35		
39	4299	37.65	56	1.75			445	377	3.30	5.7	1.50		
45	3758	32.91	57	2.00			503	333	2.92	5.5	1.70	GRX99	4P
53	3178	27.83	57	2.30			557	301	2.64	5.4	1.85	GRXF99	
50	3376	29.57	57	2.20			656	256	2.24	5.2	2.20		
61	2754	24.12	57	2.80	GR139	4P	750	224	1.96	5.1	2.40		
67	2512	22.00	58	3.00	GRF139		896	187	1.64	4.9	2.60		
77	2174	19.04	58	3.50			1035	162	1.42	4.7	2.70		
88	1918	16.80	58	4.00			533	315	2.76	2.9	1.20		
36	4609	40.37	19	0.90			593	283	2.48	3.2	1.35	GRX89	4P
42	4026	35.26	21	1.00	GR109	4P	684	245	2.15	3.4	1.50	GRXF89	
50	3367	29.49	20	1.20	GRF109		762	220	1.93	3.6	1.55		
							919	183	1.60	3.6	1.65		
							1058	159	1.39	3.5	1.75		

选型参数表
(恒功率) 22kW-30kW
Selection Table
(Constant Power) 22kW-30kW

n_a [r/min]	M_a [Nm]	i	F_{Ra} [kN]	f_B	机型号 Type size	极数 Pole	n_a [r/min]	M_a [Nm]	i	F_{Ra} [kN]	f_B	机型号 Type size	极数 Pole
22kW							22kW						
4.4	42696	331	128	0.9			94	2125	15.65	18	1.90		
5.0	37794	293	128	1.0			108	1855	13.66	17	2.20		
5.5	34311	266	128	1.1	GR179R109	4P	127	1574	11.59	16	2.60	GR109	4P
6.4	29539	229	128	1.2	GRF179R109		145	1375	10.13	16	3.00		
7.4	25798	200	128	1.4			172	1162	8.56	15	3.50	GRF109	
8.7	21799	169	128	1.7			187	1067	7.86	15	2.60		
5.0	38052	295	128	1.0	GR179R99	4P	221	904	6.66	15	3.10		
					GRF179R99		253	790	5.82	14	3.60		
5.5	36604	177.89	128	0.90	GR179	6P	73	2735	20.14	13	0.90		
6.3	31886	154.96	128	1.05	GRF179		81	2477	18.24	13	0.95		
7.1	28252	137.30	128	1.15			91	2196	16.17	13	1.05		
7.6	26352	194.08	128	1.25			101	1985	14.62	13	1.10		
8.3	24154	177.89	128	1.40	GR179	4P	119	1682	12.39	13	1.25	GR99	4P
9.5	21040	154.96	128	1.55	GRF179		136	1470	10.83	12	1.35		
10.7	18642	137.30	128	1.75			158	1261	9.29	12	1.50	GRF99	
9.6	20784	153.07	114	0.80			175	1139	8.39	12	1.70		
11	19006	139.98	114	0.90			206	967	7.12	12	1.95		
12	16539	121.81	114	1.05			237	843	6.21	11	2.10		
14	14595	107.49	114	1.15			283	706	5.20	11	2.40		
16	12653	93.19	114	1.35			327	611	4.50	10	2.50		
18	11257	82.91	114	1.50	GR169	4P	148	1350	9.94	9.2	0.85	GR89	4P
20	10007	73.70	114	1.70	GRF169		161	1242	9.15	10	0.90		
22	9151	67.40	114	1.85			179	1117	8.23	9.5	1.00	GRF89	
25	7963	58.65	114	2.10			206	969	7.14	9.2	1.05		
28	7028	51.76	114	2.40			230	868	6.39	9.0	1.10		
33	6092	44.87	114	2.80			277	721	5.31	8.7	1.20		
37	5420	39.92	114	3.10			341	585	4.31	10	1.90		
43	4672	34.41	114	3.50			374	534	3.93	5.9	2.40		
13	14842	109.31	39	0.85			432	462	3.40	5.9	2.85	GRX139	4P
16	12845	94.60	58	0.95			490	407	3.00	6.5	3.40		
18	11333	83.47	61	1.10			568	352	2.59	6.9	3.60	GRXF139	
20	9788	72.09	64	1.25			642	311	2.29	5.9	3.65		
22	9096	66.99	65	1.35	GR149	4P	762	262	1.93	6.0	4.10		
24	8295	61.09	66	1.50	GRF149		350	570	4.20	7.0	1.40	GRX109	4P
28	7179	52.87	67	1.70			386	517	3.81	6.9	1.50		
32	6334	46.65	68	1.95			435	459	3.38	6.7	1.70	GRXF109	
36	5471	40.29	69	2.20			479	417	3.07	6.6	1.90		
41	4839	35.64	69	2.50			557	358	2.64	6.4	2.20		
49	4067	29.95	70	3.00			639	312	2.30	6.2	2.50		
23	8853	65.20	45	0.85			754	265	1.95	6.0	2.70		
25	8034	59.17	49	0.95			860	232	1.71	5.8	2.90		
29	6906	50.86	52	1.10	GR139	4P	1021	196	1.44	5.6	3.10		
33	6027	44.39	54	1.25	GRF139		404	494	3.64	5.4	1.15	GRX99	4P
39	5112	37.65	55	1.50			445	448	3.30	5.4	1.25		
45	4468	32.91	56	1.70			503	396	2.92	5.3	1.40	GRXF99	
53	3779	27.83	57	1.90			557	358	2.64	5.2	1.55		
50	4015	29.57	56	1.85			656	304	2.24	5.0	1.85		
61	3275	24.12	57	2.30			750	266	1.96	4.9	2.00		
67	2987	22.00	57	2.50	GR139	4P	896	223	1.64	4.7	2.20		
77	2585	19.04	57	2.90	GRF139		1035	193	1.42	4.6	2.20		
88	2281	16.80	58	3.30			533	385	2.76	1.2	1.00	GRX89	4P
101	1970	14.51	58	3.80			593	346	2.48	1.6	1.15		
115	1742	12.83	58	4.30			684	300	2.15	2.1	1.25	GRXF89	
42	4788	35.26	6.9	0.85	GR109	4P	762	269	1.93	2.3	1.30		
50	4004	29.49	19	1.00	GRF109		919	223	1.60	2.6	1.35		
59	3381	24.90	19	1.20			1058	194	1.39	2.9	1.45		
65	3071	22.62	19	1.35	GR109	4P	30kW						
73	2725	20.07	18	1.50	GRF109		6.4	40280	229	128	0.9	GR179R109	4P
81	2473	18.21	18	1.65			7.4	35179	200	128	1.0	GRF179R109	
							8.7	29726	169	128	1.2		

选型参数表

(恒功率) 30kW-37kW

Selection Table

(Constant Power) 30kW-37kW

n_a [r/min]	M_a [Nm]	i	F_{Ra} [kN]	f_B	机型号 Type size	极数 Pole	n_a [r/min]	M_a [Nm]	i	F_{Ra} [kN]	f_B	机型号 Type size	极数 Pole																																																																																																																																																																																																																																																																																																																																																																																																																																																																																																																																																																																																																																																																															
30kW							30kW																																																																																																																																																																																																																																																																																																																																																																																																																																																																																																																																																																																																																																																																																					
8.3	32937	177.89	128	1.00	GR179 GRF179	4P	101	2707	14.62	11	0.80	GR99 GRF99	4P																																																																																																																																																																																																																																																																																																																																																																																																																																																																																																																																																																																																																																																																															
9.5	28691	154.96	128	1.15			10.7	25422	137.30	128	1.30			12.3	22192	119.86	128	1.65	13.7	19841	107.16	128	1.85	16.0	16967	91.64	128	2.05	19.4	14064	75.96	128	2.40	21.9	12409	67.02	128	2.95	25.6	10613	57.32	128	3.30	374	760	3.93	5.9	1.80	432	694	3.40	5.9	2.10	GRX139 GRXF139	4P	490	604	3.00	6.5	2.50	568	532	2.59	6.9	2.60	642	452	2.29	5.9	2.70	762	398	1.93	6.0	3.00	435	642	3.38	6.1	1.25	GRX109 GRXF109	4P	479	583	3.07	6.0	1.40	557	502	2.64	5.9	1.60	639	437	2.30	5.7	1.85	754	371	1.95	5.6	2.00	860	325	1.71	5.4	2.10	1021	274	1.44	5.2	2.30	503	555	2.92	3.0	1.05	GRX99 GRXF99	4P	557	502	2.64	3.4	1.15	656	426	2.24	3.8	1.35	750	373	1.96	4.2	1.50	896	312	1.64	4.4	1.60	1035	270	1.42	4.2	1.65	37kW							37kW							7.4	43094	200	128	0.85	GR179R109 GRF179R109	4P	8.8	36415	169	128	1.0	8.3	40348	177.89	128	0.85	9.6	35147	154.96	128	0.95	GR179 GRF179	4P	10.8	31141	137.30	128	1.05	10.8	31141	137.30	128	1.05	12.3	27186	119.86	128	1.35	13.8	24305	107.16	128	1.50	16.2	20785	91.64	128	1.70	19.5	17229	75.96	128	1.95	22.1	15201	67.02	128	2.40	25.8	13001	57.32	128	2.70	31.2	10776	47.51	128	3.15	36.3	9236	40.72	128	3.85	44.6	7526	33.18	128	4.50	16	21137	93.19	114	0.80	GR169 GRF169	4P	18	18805	82.91	114	0.90	20	16716	73.70	114	1.00	22	15287	67.40	114	1.10	25	13303	58.65	114	1.30	29	11740	51.76	114	1.45	33	10177	44.87	114	1.65	37	9054	39.92	114	1.90	43	7805	34.41	114	2.20	53	6342	27.96	114	2.70	48	6965	30.71	114	1.35	GR169 GRF169	4P	60	5573	24.57	114	2.40	68	4956	21.85	114	2.50	78	4316	19.03	114	3.50	87	3851	16.98	114	3.70	14	19902	107.49	114	0.85	GR169 GRF169	4P	16	17254	93.19	114	1.00	16	17254	93.19	114	1.00	18	15351	82.91	114	1.10	20	13646	73.70	114	1.25	22	12479	67.40	114	1.35	25	10859	58.65	114	1.55	28	9584	51.76	114	1.80	33	8308	44.87	114	2.10	37	7391	39.92	114	2.30	43	6371	34.41	114	2.70	53	5177	27.96	114	3.30	62	4390	23.71	114	3.90	18	15455	83.47	31	0.80	GR149 GRF149	4P	20	13348	72.09	57	0.95	22	12403	66.99	59	1.00	24	11311	61.09	61	1.10	28	9789	52.87	64	1.25	32	8637	46.65	66	1.45	36	7460	40.29	67	1.65	41	6599	35.64	68	1.85	49	5545	29.95	69	2.20	61	4479	24.19	69	2.50	72	3785	20.44	70	3.00	GR149 GRF149	4P	81	3340	18.04	70	3.00	94	2896	15.64	70	4.30	29	9417	50.86	34	0.80	GR139 GRF139	4P	33	8219	44.39	49	0.90	39	6971	37.65	52	1.10	45	6093	32.91	54	1.25	53	5153	27.83	55	1.40	61	4466	24.12	56	1.70	67	4073	22.00	56	1.85	GR139 GRF139	4P	77	3525	19.04	57	2.20	88	3111	16.80	57	2.40	101	2687	14.51	57	2.80	115	2376	12.83	55	3.20	136	1998	10.79	54	3.80	194	1405	7.59	51	3.50	230	1181	6.38	49	4.10	73	3716	20.07	17	1.10	GR109 GRF109	4P	81	3372	18.21	17	1.20	94	2898	15.65	16	1.40	108	2529	13.66	16	1.60	127	2146	11.59	15	1.90	145	1876	10.13	15	2.20	172	1585	8.56	15	2.60	187	1455	7.86	15	1.95	221	1233	6.66	14	2.30	253	1078	5.82	14	2.60	299	911	4.92	13	3.00																																																																																					
10.7	25422	137.30	128	1.30			12.3	22192	119.86	128	1.65			13.7	19841	107.16	128	1.85	16.0	16967	91.64	128	2.05	19.4	14064	75.96	128	2.40	21.9	12409	67.02	128	2.95	25.6	10613	57.32	128	3.30	374	760	3.93	5.9	1.80	432	694	3.40	5.9	2.10	GRX139 GRXF139	4P	490	604	3.00			6.5	2.50	568	532	2.59	6.9	2.60	642	452	2.29	5.9	2.70	762	398	1.93	6.0	3.00	435	642	3.38	6.1	1.25	GRX109 GRXF109	4P	479			583	3.07	6.0	1.40	557	502	2.64	5.9	1.60	639	437	2.30	5.7	1.85	754	371	1.95	5.6	2.00	860	325	1.71	5.4	2.10	1021	274	1.44	5.2	2.30	503	555	2.92	3.0	1.05	GRX99 GRXF99			4P	557	502	2.64	3.4	1.15	656	426	2.24	3.8	1.35	750	373	1.96	4.2	1.50	896	312	1.64	4.4	1.60	1035	270	1.42	4.2	1.65	37kW							37kW							7.4	43094	200	128			0.85	GR179R109 GRF179R109	4P	8.8	36415	169	128	1.0	8.3	40348	177.89	128	0.85	9.6	35147			154.96	128	0.95	GR179 GRF179	4P	10.8	31141	137.30	128	1.05	10.8	31141	137.30	128	1.05	12.3	27186	119.86	128	1.35	13.8	24305	107.16	128	1.50	16.2	20785	91.64	128	1.70	19.5	17229	75.96	128	1.95	22.1	15201	67.02	128	2.40	25.8	13001	57.32	128	2.70	31.2	10776	47.51	128	3.15	36.3	9236	40.72	128	3.85	44.6	7526	33.18	128	4.50			16	21137	93.19	114	0.80	GR169 GRF169	4P	18	18805	82.91	114	0.90	20	16716	73.70	114	1.00	22	15287	67.40	114	1.10	25	13303	58.65	114	1.30	29	11740	51.76	114	1.45	33	10177	44.87	114	1.65	37	9054	39.92	114	1.90	43	7805	34.41	114	2.20	53	6342	27.96			114	2.70	48	6965	30.71	114	1.35	GR169 GRF169	4P	60	5573	24.57	114	2.40	68	4956	21.85	114	2.50	78	4316	19.03	114	3.50	87			3851	16.98	114	3.70	14	19902	107.49	114	0.85	GR169 GRF169	4P	16	17254	93.19	114	1.00	16	17254	93.19	114	1.00	18	15351	82.91	114	1.10	20	13646	73.70	114	1.25	22	12479	67.40	114	1.35	25	10859	58.65	114	1.55	28	9584	51.76	114	1.80	33	8308	44.87	114	2.10	37	7391	39.92	114	2.30	43	6371	34.41	114	2.70	53	5177	27.96	114			3.30	62	4390	23.71	114	3.90	18	15455	83.47	31	0.80	GR149 GRF149	4P	20	13348	72.09	57	0.95	22	12403	66.99	59	1.00	24	11311	61.09	61	1.10	28	9789	52.87	64	1.25	32	8637	46.65	66	1.45	36	7460	40.29	67	1.65	41	6599	35.64	68	1.85	49	5545			29.95	69	2.20	61	4479	24.19	69	2.50	72	3785	20.44	70	3.00	GR149 GRF149	4P			81	3340	18.04	70	3.00	94	2896	15.64	70	4.30	29	9417	50.86	34	0.80	GR139 GRF139	4P	33	8219	44.39	49	0.90	39	6971	37.65	52	1.10	45	6093	32.91			54	1.25	53	5153	27.83	55	1.40	61	4466	24.12	56	1.70	67	4073	22.00	56	1.85	GR139 GRF139	4P	77	3525	19.04	57	2.20	88	3111	16.80	57	2.40	101	2687	14.51	57	2.80	115	2376	12.83	55	3.20	136			1998	10.79	54	3.80	194	1405	7.59	51	3.50	230	1181	6.38	49	4.10	73	3716	20.07	17	1.10	GR109 GRF109	4P	81	3372	18.21	17	1.20	94	2898	15.65	16	1.40	108	2529	13.66	16	1.60	127	2146	11.59	15	1.90	145	1876	10.13	15	2.20	172	1585	8.56	15	2.60	187	1455	7.86	15	1.95	221	1233	6.66	14	2.30	253	1078	5.82	14	2.60	299	911	4.92	13	3.00																																																																
12.3	22192	119.86	128	1.65			13.7	19841	107.16	128	1.85			16.0	16967	91.64	128	2.05	19.4	14064	75.96	128	2.40	21.9	12409	67.02	128	2.95	25.6	10613	57.32	128	3.30	374	760	3.93	5.9	1.80	432	694	3.40	5.9	2.10	GRX139 GRXF139	4P	490	604	3.00			6.5	2.50	568			532	2.59	6.9	2.60	642	452	2.29	5.9	2.70	762	398	1.93	6.0	3.00	435	642	3.38	6.1	1.25	GRX109 GRXF109	4P	479			583			3.07	6.0	1.40	557	502	2.64	5.9	1.60	639	437	2.30	5.7	1.85	754	371	1.95	5.6	2.00	860	325	1.71	5.4	2.10	1021	274	1.44	5.2	2.30	503	555	2.92	3.0	1.05	GRX99 GRXF99					4P	557	502	2.64	3.4	1.15	656	426	2.24	3.8	1.35	750	373	1.96	4.2	1.50	896	312	1.64	4.4	1.60	1035	270	1.42	4.2	1.65	37kW							37kW							7.4	43094	200	128	0.85	GR179R109 GRF179R109			4P	8.8	36415	169	128	1.0	8.3	40348	177.89	128	0.85	9.6			35147	154.96	128			0.95	GR179 GRF179	4P	10.8	31141	137.30	128	1.05	10.8	31141	137.30	128	1.05	12.3	27186	119.86	128	1.35	13.8	24305	107.16	128	1.50	16.2	20785	91.64	128	1.70	19.5	17229	75.96	128	1.95	22.1	15201	67.02	128	2.40	25.8	13001	57.32	128	2.70	31.2	10776	47.51	128	3.15	36.3	9236	40.72	128	3.85	44.6	7526			33.18	128	4.50	16	21137			93.19	114	0.80	GR169 GRF169	4P	18	18805	82.91	114	0.90	20	16716	73.70	114	1.00	22	15287	67.40	114	1.10	25	13303	58.65	114	1.30	29	11740	51.76	114	1.45	33	10177	44.87	114	1.65	37	9054	39.92	114	1.90	43	7805	34.41			114	2.20	53	6342	27.96	114	2.70			48	6965	30.71	114	1.35	GR169 GRF169	4P	60	5573	24.57	114	2.40	68	4956	21.85	114			2.50	78	4316	19.03	114	3.50	87	3851	16.98			114	3.70	14	19902	107.49	114	0.85	GR169 GRF169	4P	16	17254	93.19	114	1.00	16	17254	93.19	114	1.00	18	15351	82.91	114	1.10	20	13646	73.70	114	1.25	22	12479	67.40	114	1.35	25	10859	58.65	114	1.55	28	9584	51.76	114	1.80	33	8308	44.87	114	2.10	37	7391	39.92	114	2.30			43	6371	34.41	114	2.70	53	5177	27.96	114	3.30	62			4390	23.71	114	3.90	18	15455	83.47	31	0.80	GR149 GRF149	4P	20	13348	72.09	57	0.95	22	12403	66.99	59	1.00	24	11311	61.09	61	1.10	28	9789	52.87	64	1.25	32	8637	46.65	66	1.45	36			7460	40.29	67	1.65	41	6599	35.64	68	1.85	49	5545	29.95	69					2.20	61	4479	24.19	69	2.50	72	3785	20.44	70	3.00	GR149 GRF149	4P	81	3340			18.04	70	3.00	94	2896	15.64	70	4.30	29	9417	50.86	34	0.80			GR139 GRF139	4P	33	8219	44.39	49	0.90	39	6971	37.65	52	1.10	45	6093	32.91	54	1.25			53	5153	27.83	55	1.40	61	4466	24.12	56	1.70	67	4073	22.00	56	1.85	GR139 GRF139	4P	77	3525	19.04	57			2.20	88	3111	16.80	57	2.40	101	2687	14.51	57	2.80	115	2376	12.83	55	3.20	136	1998	10.79			54	3.80	194	1405	7.59	51	3.50	230	1181	6.38	49	4.10	73	3716	20.07	17	1.10	GR109 GRF109	4P	81	3372	18.21	17	1.20	94	2898	15.65	16	1.40	108	2529	13.66	16	1.60	127	2146	11.59	15	1.90	145	1876	10.13	15	2.20	172	1585	8.56	15	2.60	187	1455	7.86	15	1.95	221	1233	6.66	14	2.30	253	1078	5.82	14	2.60	299	911	4.92	13	3.00																																													
13.7	19841	107.16	128	1.85			16.0	16967	91.64	128	2.05			19.4	14064	75.96	128	2.40	21.9	12409	67.02	128	2.95	25.6	10613	57.32	128	3.30	374	760	3.93	5.9	1.80	432	694	3.40	5.9	2.10	GRX139 GRXF139	4P	490	604	3.00			6.5	2.50	568			532	2.59	6.9			2.60	642	452	2.29	5.9	2.70	762	398	1.93	6.0	3.00	435	642	3.38	6.1	1.25	GRX109 GRXF109	4P	479			583			3.07			6.0	1.40	557	502	2.64	5.9	1.60	639	437	2.30	5.7	1.85	754	371	1.95	5.6	2.00	860	325	1.71	5.4	2.10	1021	274	1.44	5.2	2.30	503	555	2.92	3.0	1.05	GRX99 GRXF99							4P	557	502	2.64	3.4	1.15	656	426	2.24	3.8	1.35	750	373	1.96	4.2	1.50	896	312	1.64	4.4	1.60	1035	270	1.42	4.2	1.65	37kW							37kW							7.4	43094	200	128		0.85	GR179R109 GRF179R109		4P	8.8	36415	169	128	1.0	8.3	40348	177.89	128	0.85			9.6	35147	154.96			128			0.95	GR179 GRF179	4P	10.8	31141	137.30	128	1.05	10.8	31141	137.30	128	1.05	12.3	27186	119.86	128	1.35	13.8	24305	107.16	128	1.50	16.2	20785	91.64	128	1.70	19.5	17229	75.96	128	1.95	22.1	15201	67.02	128	2.40	25.8	13001	57.32	128	2.70	31.2	10776	47.51	128	3.15	36.3	9236	40.72	128			3.85	44.6	7526	33.18	128			4.50	16	21137			93.19	114	0.80	GR169 GRF169	4P	18	18805	82.91	114	0.90	20	16716	73.70	114	1.00	22	15287	67.40	114	1.10	25	13303	58.65	114	1.30	29	11740	51.76	114	1.45	33	10177	44.87	114	1.65	37	9054	39.92			114	1.90	43	7805	34.41	114	2.20			53	6342	27.96	114	2.70			48	6965	30.71	114	1.35	GR169 GRF169	4P	60	5573			24.57	114	2.40	68	4956	21.85	114	2.50	78			4316	19.03	114	3.50	87	3851	16.98			114	3.70	14	19902	107.49	114	0.85	GR169 GRF169	4P	16	17254	93.19	114	1.00	16	17254	93.19	114	1.00	18	15351	82.91	114	1.10	20	13646	73.70	114	1.25	22	12479	67.40	114	1.35	25	10859	58.65	114	1.55	28	9584	51.76	114	1.80	33			8308	44.87	114	2.10	37	7391	39.92	114	2.30	43	6371			34.41	114	2.70	53	5177	27.96	114	3.30	62			4390	23.71	114	3.90	18	15455	83.47	31	0.80	GR149 GRF149	4P	20	13348	72.09	57	0.95	22	12403	66.99	59	1.00	24	11311	61.09	61	1.10			28	9789	52.87	64	1.25	32	8637	46.65	66	1.45	36	7460	40.29					67	1.65	41	6599	35.64	68	1.85	49	5545	29.95	69			2.20	61			4479	24.19	69	2.50	72	3785	20.44	70	3.00	GR149 GRF149	4P	81	3340					18.04	70	3.00	94	2896	15.64	70	4.30	29	9417	50.86	34	0.80	GR139 GRF139	4P			33	8219	44.39	49	0.90	39	6971	37.65	52	1.10	45	6093	32.91	54	1.25			53	5153	27.83	55			1.40	61	4466	24.12	56	1.70	67	4073	22.00	56	1.85	GR139 GRF139	4P	77	3525	19.04	57	2.20	88			3111	16.80	57	2.40	101	2687	14.51	57	2.80	115	2376	12.83	55	3.20	136	1998	10.79			54	3.80	194	1405	7.59	51	3.50	230	1181	6.38	49	4.10	73	3716	20.07	17	1.10	GR109 GRF109	4P	81	3372	18.21	17	1.20	94	2898	15.65	16	1.40	108	2529	13.66	16	1.60	127	2146	11.59	15	1.90	145	1876	10.13	15	2.20	172	1585	8.56	15	2.60	187	1455	7.86	15	1.95	221	1233	6.66	14	2.30	253	1078	5.82	14	2.60	299	911	4.92	13	3.00																										
16.0	16967	91.64	128	2.05			19.4	14064	75.96	128	2.40			21.9	12409	67.02	128	2.95	25.6	10613	57.32	128	3.30	374	760	3.93	5.9	1.80	432	694	3.40	5.9	2.10	GRX139 GRXF139	4P	490	604	3.00			6.5	2.50	568			532	2.59	6.9			2.60	642	452			2.29	5.9	2.70	762	398	1.93	6.0	3.00	435	642	3.38	6.1	1.25	GRX109 GRXF109	4P	479			583			3.07			6.0			1.40	557	502	2.64	5.9	1.60	639	437	2.30	5.7	1.85	754	371	1.95	5.6	2.00	860	325	1.71	5.4	2.10	1021	274	1.44	5.2	2.30	503	555	2.92	3.0	1.05	GRX99 GRXF99									4P	557	502	2.64	3.4	1.15	656	426	2.24	3.8	1.35	750	373	1.96	4.2	1.50	896	312	1.64	4.4	1.60	1035	270	1.42	4.2	1.65	37kW							37kW							7.4	43094	200	128	0.85		GR179R109 GRF179R109		4P	8.8	36415	169	128	1.0	8.3	40348	177.89	128			0.85	9.6	35147			154.96			128			0.95	GR179 GRF179	4P	10.8	31141	137.30	128	1.05	10.8	31141	137.30	128	1.05	12.3	27186	119.86	128	1.35	13.8	24305	107.16	128	1.50	16.2	20785	91.64	128	1.70	19.5	17229	75.96	128	1.95	22.1	15201	67.02	128	2.40	25.8	13001	57.32	128	2.70	31.2	10776	47.51	128	3.15	36.3			9236	40.72	128	3.85	44.6			7526	33.18	128			4.50	16	21137			93.19	114	0.80	GR169 GRF169	4P	18	18805	82.91	114	0.90	20	16716	73.70	114	1.00	22	15287	67.40	114	1.10	25	13303	58.65	114	1.30	29	11740	51.76	114	1.45	33	10177	44.87			114	1.65	37	9054	39.92	114	1.90			43	7805	34.41	114	2.20			53	6342	27.96	114	2.70			48	6965			30.71	114	1.35	GR169 GRF169	4P	60	5573	24.57	114			2.40	68	4956	21.85	114	2.50	78			4316	19.03	114	3.50	87	3851	16.98			114	3.70	14	19902	107.49	114	0.85	GR169 GRF169	4P	16	17254	93.19	114	1.00	16	17254	93.19	114	1.00	18	15351	82.91	114	1.10	20	13646	73.70	114	1.25	22	12479	67.40	114	1.35	25	10859			58.65	114	1.55	28	9584	51.76	114	1.80	33	8308	44.87			114	2.10	37	7391	39.92	114	2.30	43	6371			34.41	114	2.70	53	5177	27.96	114	3.30	62			4390	23.71	114	3.90	18	15455	83.47	31	0.80	GR149 GRF149	4P	20	13348	72.09	57	0.95	22	12403	66.99	59	1.00	24	11311	61.09	61	1.10	28	9789	52.87	64					1.25	32	8637	46.65	66	1.45	36	7460	40.29	67	1.65			41	6599			35.64	68	1.85	49	5545	29.95	69	2.20	61			4479	24.19					69	2.50	72	3785	20.44	70	3.00	GR149 GRF149	4P	81	3340	18.04	70					3.00	94	2896	15.64	70	4.30	29	9417	50.86	34	0.80	GR139 GRF139	4P	33	8219			44.39	49	0.90	39			6971	37.65	52	1.10	45	6093	32.91	54	1.25	53	5153			27.83	55	1.40	61	4466	24.12			56	1.70	67	4073	22.00	56	1.85	GR139 GRF139	4P	77	3525	19.04	57	2.20	88	3111	16.80			57	2.40	101	2687	14.51	57	2.80	115	2376	12.83	55	3.20	136	1998	10.79	54	3.80			194	1405	7.59	51	3.50	230	1181	6.38	49	4.10	73	3716	20.07	17	1.10	GR109 GRF109	4P	81	3372	18.21	17	1.20	94	2898	15.65	16	1.40	108	2529	13.66	16	1.60	127	2146	11.59	15	1.90	145	1876	10.13	15	2.20	172	1585	8.56	15	2.60	187	1455	7.86	15	1.95	221	1233	6.66	14	2.30	253	1078	5.82	14	2.60	299	911	4.92	13	3.00									
19.4	14064	75.96	128	2.40			21.9	12409	67.02	128	2.95			25.6	10613	57.32	128	3.30	374	760	3.93	5.9	1.80	432	694	3.40	5.9	2.10	GRX139 GRXF139	4P	490	604	3.00			6.5	2.50	568			532	2.59	6.9			2.60	642	452			2.29	5.9	2.70	762	398	1.93	6.0	3.00	435	642	3.38	6.1	1.25	GRX109 GRXF109	4P	479	583	3.07			6.0			1.40			557			502			2.64	5.9	1.60	639	437	2.30	5.7	1.85	754	371	1.95	5.6	2.00	860	325	1.71	5.4	2.10	1021	274	1.44	5.2	2.30	503	555	2.92	3.0	1.05	GRX99 GRXF99	4P	557					502	2.64					3.4	1.15	656	426	2.24	3.8	1.35	750	373	1.96	4.2	1.50	896	312	1.64	4.4	1.60	1035	270	1.42	4.2	1.65	37kW							37kW							7.4	43094	200	128	0.85	GR179R109 GRF179R109	4P	8.8	36415		169		128	1.0	8.3	40348	177.89	128	0.85	9.6	35147			154.96	128	0.95			GR179 GRF179			4P			10.8			31141	137.30	128	1.05	10.8	31141	137.30	128	1.05	12.3	27186	119.86	128	1.35	13.8	24305	107.16	128	1.50	16.2	20785	91.64	128	1.70	19.5	17229	75.96	128	1.95	22.1	15201	67.02	128	2.40	25.8	13001	57.32	128	2.70	31.2	10776	47.51	128	3.15	36.3	9236			40.72	128	3.85	44.6	7526			33.18	128	4.50			16	21137	93.19			114	0.80	GR169 GRF169			4P	18	18805	82.91	114	0.90	20	16716	73.70	114	1.00	22	15287	67.40	114	1.10	25	13303	58.65	114	1.30	29	11740	51.76	114	1.45	33	10177	44.87	114	1.65	37	9054	39.92	114	1.90	43			7805	34.41	114	2.20	53			6342	27.96	114	2.70	48			6965	30.71			114	1.35	GR169 GRF169			4P	60	5573	24.57			114	2.40	68	4956	21.85	114	2.50			78	4316	19.03	114	3.50	87	3851			16.98	114	3.70	14	19902	107.49	114			0.85	GR169 GRF169	4P	16	17254	93.19	114	1.00	16	17254	93.19	114	1.00	18	15351	82.91	114	1.10	20	13646	73.70	114	1.25	22	12479	67.40	114			1.35	25	10859	58.65	114	1.55	28	9584	51.76	114	1.80			33	8308	44.87	114	2.10	37	7391	39.92	114			2.30	43	6371	34.41	114	2.70	53	5177	27.96			114	3.30	62	4390	23.71	114	3.90	18	15455			83.47	31	0.80	GR149 GRF149	4P	20	13348	72.09	57	0.95	22	12403	66.99	59	1.00	24	11311	61.09	61	1.10	28			9789	52.87	64	1.25	32	8637	46.65	66	1.45	36	7460			40.29	67			1.65	41	6599	35.64	68	1.85	49	5545	29.95			69	2.20					61	4479	24.19	69	2.50	72	3785			20.44	70	3.00	GR149 GRF149					4P	81	3340	18.04	70	3.00	94	2896	15.64	70	4.30			29	9417			50.86	34	0.80	GR139 GRF139			4P	33	8219	44.39	49	0.90	39	6971	37.65	52	1.10			45	6093	32.91	54	1.25	53			5153	27.83	55	1.40	61	4466	24.12			56	1.70	67	4073	22.00	56	1.85	GR139 GRF139			4P	77	3525	19.04	57	2.20	88	3111	16.80	57	2.40	101	2687	14.51	57	2.80	115			2376	12.83	55	3.20	136	1998	10.79	54	3.80	194	1405	7.59	51	3.50	230			1181	6.38	49	4.10	73	3716	20.07	17	1.10	GR109 GRF109	4P	81	3372	18.21	17	1.20	94	2898	15.65	16	1.40	108	2529	13.66	16	1.60	127	2146	11.59	15	1.90	145	1876	10.13	15	2.20	172	1585	8.56	15	2.60	187	1455	7.86	15	1.95	221	1233	6.66	14	2.30	253	1078	5.82	14	2.60	299	911	4.92
21.9	12409	67.02	128	2.95			25.6	10613	57.32	128	3.30			374	760	3.93	5.9	1.80	432	694	3.40	5.9	2.10	GRX139 GRXF139	4P	490	604	3.00			6.5	2.50	568			532	2.59	6.9			2.60	642	452			2.29	5.9	2.70	762	398	1.93	6.0	3.00	435	642	3.38	6.1	1.25	GRX109 GRXF109	4P	479	583	3.07			6.0	1.40	557			502			2.64			5.9			1.60			639	437	2.30	5.7	1.85	754	371	1.95	5.6	2.00	860	325	1.71	5.4	2.10	1021	274	1.44	5.2	2.30	503	555	2.92	3.0	1.05	GRX99 GRXF99	4P	557			502				2.64	3.4	1.15	656				426	2.24	3.8	1.35	750	373	1.96	4.2	1.50	896	312	1.64	4.4	1.60	1035	270	1.42	4.2	1.65	37kW							37kW							7.4	43094	200	128	0.85	GR179R109 GRF179R109	4P	8.8			36415	169	128	1.0	8.3	40348	177.89	128	0.85	9.6	35147	154.96	128	0.95			GR179 GRF179	4P	10.8									31141			137.30	128	1.05	10.8	31141	137.30	128	1.05	12.3	27186	119.86	128	1.35	13.8	24305	107.16	128	1.50	16.2	20785	91.64	128	1.70	19.5	17229	75.96	128	1.95	22.1	15201	67.02	128	2.40	25.8	13001	57.32	128	2.70	31.2	10776	47.51	128	3.15	36.3	9236	40.72			128	3.85	44.6	7526	33.18			128	4.50	16			21137	93.19	114			0.80	GR169 GRF169					4P	18	18805	82.91	114	0.90	20	16716	73.70	114	1.00	22	15287	67.40	114	1.10	25	13303	58.65	114	1.30	29	11740	51.76	114	1.45	33	10177	44.87	114	1.65	37	9054	39.92	114	1.90	43	7805	34.41	114	2.20	53	6342			27.96	114	2.70	48	6965			30.71	114			1.35	GR169 GRF169					4P	60	5573			24.57	114	2.40	68	4956	21.85	114			2.50	78	4316	19.03	114	3.50	87			3851	16.98	114	3.70	14	19902	107.49			114			0.85	GR169 GRF169	4P	16	17254	93.19	114	1.00	16	17254	93.19	114	1.00	18	15351	82.91	114	1.10	20	13646	73.70	114	1.25	22			12479	67.40	114	1.35	25	10859	58.65	114	1.55	28	9584			51.76	114	1.80	33	8308	44.87	114	2.10	37			7391	39.92	114	2.30	43	6371	34.41	114	2.70			53	5177	27.96	114	3.30	62	4390	23.71	114			3.90	18	15455			83.47	31	0.80	GR149 GRF149	4P	20	13348	72.09	57	0.95	22	12403	66.99	59	1.00	24	11311	61.09	61	1.10	28	9789	52.87	64	1.25	32	8637	46.65	66	1.45	36	7460	40.29			67	1.65	41	6599	35.64	68	1.85	49	5545			29.95	69					2.20	61	4479	24.19	69	2.50	72			3785	20.44	70							3.00	GR149 GRF149	4P	81	3340	18.04	70	3.00	94	2896			15.64	70			4.30	29	9417					50.86	34	0.80	GR139 GRF139	4P	33	8219	44.39	49	0.90			39	6971	37.65	52	1.10	45			6093	32.91	54	1.25	53	5153	27.83			55	1.40	61	4466	24.12	56	1.70					67	4073	22.00	56	1.85	GR139 GRF139	4P	77	3525	19.04	57	2.20	88	3111	16.80	57			2.40	101	2687	14.51	57	2.80	115	2376	12.83	55	3.20	136	1998	10.79	54			3.80	194	1405	7.59	51	3.50	230	1181	6.38			49	4.10	73	3716	20.07	17	1.10	GR109 GRF109	4P	81	3372	18.21	17	1.20	94	2898	15.65	16	1.40	108	2529	13.66	16	1.60	127	2146	11.59	15	1.90	145	1876	10.13	15	2.20	172	1585	8.56	15	2.60	187	1455	7.86	15	1.95	221	1233	6.66	14
25.6	10613	57.32	128	3.30			374	760	3.93	5.9	1.80			432	694	3.40	5.9	2.10	GRX139 GRXF139	4P	490	604	3.00			6.5	2.50	568			532	2.59	6.9			2.60	642	452			2.29	5.9	2.70	762	398	1.93	6.0	3.00	435	642	3.38	6.1	1.25	GRX109 GRXF109	4P	479	583	3.07			6.0	1.40	557			502	2.64	5.9			1.60			639			437			2.30	5.7	1.85	754	371	1.95	5.6	2.00	860	325	1.71	5.4	2.10	1021	274	1.44	5.2	2.30	503	555	2.92	3.0	1.05	GRX99 GRXF99	4P	557	502	2.64			3.4			1.15			656	426	2.24	3.8	1.35	750			373	1.96	4.2	1.50	896	312	1.64	4.4	1.60	1035	270	1.42	4.2	1.65	37kW							37kW							7.4	43094	200	128	0.85	GR179R109 GRF179R109	4P	8.8	36415	169			128	1.0	8.3	40348	177.89	128	0.85	9.6	35147	154.96	128	0.95	GR179 GRF179	4P	10.8	31141	137.30					128									1.05			10.8	31141	137.30	128	1.05	12.3	27186	119.86	128	1.35	13.8	24305	107.16	128	1.50	16.2	20785	91.64	128	1.70	19.5	17229	75.96	128	1.95	22.1	15201	67.02	128	2.40	25.8	13001	57.32	128	2.70	31.2	10776	47.51	128	3.15	36.3	9236	40.72	128	3.85	44.6			7526	33.18	128	4.50	16			21137	93.19	114			0.80	GR169 GRF169	4P			18							18805	82.91	114	0.90	20	16716	73.70	114	1.00	22	15287	67.40	114	1.10	25	13303	58.65	114	1.30	29	11740	51.76	114	1.45	33	10177	44.87	114	1.65	37	9054	39.92	114	1.90	43	7805	34.41	114	2.20	53	6342	27.96	114	2.70	48	6965	30.71	114	1.35			GR169 GRF169	4P			60							5573	24.57			114	2.40	68	4956	21.85	114	2.50			78	4316	19.03	114	3.50	87	3851			16.98	114	3.70	14	19902	107.49	114			0.85			GR169 GRF169			4P	16	17254	93.19	114	1.00	16	17254	93.19	114	1.00	18	15351	82.91	114	1.10	20	13646	73.70	114	1.25			22	12479	67.40	114	1.35	25	10859	58.65	114	1.55	28			9584	51.76	114	1.80	33	8308	44.87	114	2.10			37	7391	39.92	114	2.30	43	6371	34.41	114			2.70	53	5177	27.96	114	3.30	62	4390	23.71			114	3.90	18			15455	83.47	31			0.80	GR149 GRF149	4P	20	13348	72.09	57	0.95	22	12403	66.99	59	1.00	24	11311	61.09	61	1.10	28	9789	52.87	64	1.25	32	8637	46.65	66	1.45	36	7460	40.29	67	1.65	41	6599	35.64	68	1.85	49	5545	29.95	69	2.20					61	4479	24.19	69	2.50	72	3785			20.44	70	3.00							GR149 GRF149			4P	81	3340	18.04	70	3.00	94			2896	15.64			70	4.30	29					9417	50.86	34			0.80	GR139 GRF139	4P	33	8219			44.39	49	0.90	39	6971	37.65			52	1.10	45	6093	32.91	54	1.25			53	5153	27.83	55	1.40	61	4466					24.12	56	1.70	67	4073			22.00	56	1.85	GR139 GRF139	4P	77	3525	19.04	57			2.20	88	3111	16.80	57	2.40	101	2687	14.51	57	2.80	115	2376	12.83	55			3.20	136	1998	10.79	54	3.80	194	1405	7.59			51	3.50	230	1181	6.38	49	4.10			73	3716	20.07	17	1.10	GR109 GRF109	4P	81	3372	18.21	17	1.20	94	2898	15.65	16	1.40	108	2529	13.66	16	1.60	127	2146	11.59	15	1.90	145	1876	10.13	15	2.20	172	1585	8.56	15	2.60	187	1455
374	760	3.93	5.9	1.80			432	694	3.40	5.9	2.10			GRX139 GRXF139	4P	490	604	3.00			6.5	2.50	568			532	2.59	6.9			2.60	642	452			2.29	5.9	2.70	762	398	1.93	6.0	3.00	435	642	3.38	6.1	1.25	GRX109 GRXF109	4P	479	583	3.07			6.0	1.40	557			502	2.64	5.9			1.60	639	437			2.30			5.7			1.85	754	371	1.95	5.6	2.00	860	325	1.71	5.4	2.10	1021	274	1.44	5.2	2.30	503	555	2.92	3.0	1.05	GRX99 GRXF99	4P	557	502	2.64			3.4	1.15	656			426			2.24		3.8	1.35	750	373	1.96	4.2	1.50	896		312	1.64	4.4	1.60	1035	270	1.42	4.2	1.65	37kW							37kW							7.4	43094	200	128	0.85	GR179R109 GRF179R109	4P	8.8	36415	169			128	1.0	8.3	40348	177.89	128	0.85	9.6	35147	154.96	128	0.95	GR179 GRF179	4P	10.8	31141	137.30			128	1.05	10.8					31141									137.30			128	1.05	12.3	27186	119.86	128	1.35	13.8	24305	107.16	128	1.50	16.2	20785	91.64	128	1.70	19.5	17229	75.96	128	1.95	22.1	15201	67.02	128	2.40	25.8	13001	57.32	128	2.70	31.2	10776	47.51	128	3.15	36.3	9236	40.72	128	3.85	44.6	7526	33.18	128			4.50	16	21137	93.19	114			0.80	GR169 GRF169	4P			18					18805							82.91	114	0.90	20	16716	73.70	114	1.00	22	15287	67.40	114	1.10	25	13303	58.65	114	1.30	29	11740	51.76	114	1.45	33	10177	44.87	114	1.65	37	9054	39.92	114	1.90	43	7805	34.41	114	2.20	53	6342	27.96	114	2.70	48	6965	30.71	114	1.35	GR169 GRF169	4P	60					5573							24.57	114			2.40	68	4956	21.85	114	2.50	78			4316	19.03	114	3.50	87	3851	16.98			114	3.70	14	19902	107.49	114	0.85			GR169 GRF169							4P	16	17254	93.19	114	1.00	16	17254	93.19	114	1.00	18	15351	82.91	114	1.10	20	13646	73.70	114	1.25	22	12479	67.40	114	1.35	25	10859	58.65	114	1.55	28	9584			51.76	114	1.80	33	8308	44.87	114	2.10	37			7391	39.92	114	2.30	43	6371	34.41	114	2.70			53	5177	27.96	114	3.30	62	4390	23.71	114			3.90	18	15455			83.47	31	0.80			GR149 GRF149			4P	20	13348	72.09	57	0.95	22	12403	66.99	59	1.00	24	11311	61.09	61	1.10	28	9789	52.87	64	1.25	32	8637	46.65	66	1.45	36	7460	40.29	67	1.65	41	6599	35.64	68	1.85	49	5545	29.95	69	2.20	61	4479	24.19	69	2.50	72	3785	20.44	70	3.00	GR149 GRF149	4P	81	3340	18.04											70	3.00	94	2896	15.64	70			4.30	29			9417	50.86	34					0.80	GR139 GRF139	4P			33			8219	44.39			49	0.90	39	6971	37.65	52			1.10	45	6093	32.91	54	1.25	53			5153	27.83	55	1.40	61	4466	24.12					56	1.70	67	4073	22.00			56	1.85	GR139 GRF139			4P	77	3525	19.04			57	2.20	88	3111	16.80	57	2.40	101	2687	14.51	57	2.80	115	2376	12.83			55	3.20	136	1998	10.79	54	3.80	194	1405			7.59	51	3.50	230	1181	6.38	49			4.10	73	3716	20.07	17			1.10	GR109 GRF109	4P	81	3372	18.21	17	1.20	94	2898	15.65	16	1.40	108	2529	13.66	16	1.60	127	2146	11.59	15	1.90	145	1876	10.13	15	2.20	172	1585	8.56	15
432	694	3.40	5.9	2.10	GRX139 GRXF139	4P																																																																																																																																																																																																																																																																																																																																																																																																																																																																																																																																																																																																																																																																																						
490	604	3.00	6.5	2.50			568	532	2.59	6.9	2.60	642	452			2.29	5.9	2.70			762	398	1.93			6.0	3.00	435	642	3.38	6.1	1.25	GRX109 GRXF109	4P	479	583	3.07	6.0	1.40	557	502	2.64	5.9	1.60	639	437	2.30	5.7			1.85	754	371			1.95	5.6	2.00			860	325	1.71			5.4	2.10	1021			274	1.44	5.2	2.30	503	555	2.92	3.0	1.05	GRX99 GRXF99	4P	557	502	2.64	3.4	1.15	656	426	2.24	3.8	1.35	750	373	1.96	4.2	1.50	896			312	1.64	4.4			1.60	1035	270			1.42	4.2	1.65	37kW							37kW							7.4	43094	200	128	0.85	GR179R109 GRF179R109	4P	8.8	36415	169	128	1.0	8.3	40348	177.89	128	0.85	9.6	35147	154.96	128	0.95	GR179 GRF179	4P	10.8	31141	137.30	128	1.05	10.8	31141	137.30	128	1.05	12.3	27186	119.86	128	1.35	13.8	24305	107.16	128	1.50			16.2	20785	91.64			128	1.70	19.5	17229	75.96			128									1.95			22.1	15201	67.02	128	2.40	25.8	13001	57.32	128	2.70	31.2	10776	47.51	128	3.15	36.3	9236	40.72	128	3.85	44.6	7526	33.18	128	4.50	16	21137	93.19	114	0.80	GR169 GRF169	4P	18	18805	82.91	114	0.90	20	16716	73.70	114	1.00	22	15287	67.40	114	1.10	25	13303	58.65	114	1.30	29			11740					51.76					114							1.45	33	10177	44.87	114	1.65	37	9054	39.92	114	1.90	43	7805	34.41	114	2.20	53	6342	27.96	114	2.70	48	6965	30.71	114	1.35	GR169 GRF169	4P	60	5573	24.57	114	2.40	68	4956	21.85	114	2.50	78	4316	19.03	114	3.50	87	3851	16.98	114	3.70			14					19902		107.49	114	0.85	GR169 GRF169		4P	16			17254	93.19	114	1.00	16	17254	93.19			114	1.00	18	15351	82.91	114	1.10			20	13646	73.70	114	1.25	22	12479											67.40	114	1.35	25	10859	58.65	114	1.55	28	9584	51.76	114	1.80	33	8308	44.87	114	2.10	37	7391	39.92	114	2.30	43	6371	34.41	114	2.70	53	5177	27.96	114	3.30	62	4390	23.71	114	3.90	18	15455	83.47	31	0.80	GR149 GRF149	4P	20	13348	72.09	57	0.95	22	12403	66.99	59			1.00	24	11311	61.09	61	1.10	28	9789	52.87			64	1.25	32			8637	46.65	66							1.45	36	7460	40.29	67	1.65	41	6599	35.64	68	1.85	49	5545	29.95	69	2.20	61	4479	24.19	69	2.50	72	3785	20.44	70	3.00	GR149 GRF149	4P	81	3340	18.04	70	3.00	94	2896	15.64	70	4.30	29	9417	50.86	34	0.80	GR139 GRF139	4P	33	8219	44.39	49	0.90			39	6971	37.65	52	1.10	45	6093	32.91	54		1.25	53		5153	27.83	55	1.40	61	4466	24.12	56	1.70	67	4073	22.00	56	1.85	GR139 GRF139					4P					77			3525	19.04			57	2.20	88	3111	16.80	57			2.40	101	2687	14.51	57	2.80	115			2376	12.83	55	3.20	136	1998	10.79					54	3.80	194	1405	7.59			51	3.50					230	1181	6.38			49	4.10	73	3716	20.07	17	1.10	GR109 GRF109	4P	81	3372	18.21	17	1.20	94			2898	15.65	16	1.40	108	2529	13.66	16	1.60			127	2146	11.59	15	1.90	145	1876			10.13	15	2.20	172	1585			8.56			15	2.60	187	1455	7.86	15	1.95	221	1233	6.66	14	2.30	253	1078	5.82	14	2.60	299	911	4.92	13	3.00							
568	532	2.59	6.9	2.60			642	452	2.29	5.9	2.70	762	398			1.93	6.0	3.00			435	642	3.38	6.1	1.25	GRX109 GRXF109	4P	479	583	3.07	6.0	1.40			557	502	2.64	5.9	1.60	639	437	2.30	5.7	1.85	754	371	1.95	5.6			2.00	860	325			1.71	5.4	2.10			1021	274	1.44			5.2	2.30	503	555	2.92	3.0	1.05	GRX99 GRXF99	4P	557	502	2.64	3.4	1.15			656	426	2.24	3.8	1.35	750	373	1.96	4.2	1.50	896	312	1.64	4.4	1.60	1035			270	1.42	4.2			1.65	37kW							37kW							7.4	43094	200	128	0.85	GR179R109 GRF179R109	4P	8.8	36415	169	128	1.0			8.3	40348	177.89	128	0.85	9.6	35147	154.96	128	0.95	GR179 GRF179	4P	10.8	31141	137.30			128	1.05	10.8	31141	137.30	128	1.05	12.3	27186	119.86	128	1.35	13.8	24305	107.16	128	1.50	16.2	20785	91.64			128	1.70	19.5			17229	75.96	128	1.95	22.1			15201	67.02	128							2.40			25.8	13001	57.32	128	2.70	31.2	10776	47.51	128	3.15	36.3	9236	40.72	128	3.85	44.6	7526	33.18	128	4.50	16	21137	93.19	114	0.80	GR169 GRF169	4P	18	18805	82.91			114	0.90	20	16716	73.70	114	1.00	22	15287	67.40	114	1.10	25	13303	58.65	114	1.30	29	11740	51.76	114	1.45	33	10177					44.87					114							1.65	37	9054	39.92	114	1.90	43	7805	34.41	114	2.20	53	6342	27.96	114	2.70	48	6965	30.71	114	1.35	GR169 GRF169	4P	60	5573	24.57			114	2.40	68	4956	21.85	114	2.50	78	4316	19.03	114	3.50	87	3851	16.98	114	3.70	14	19902	107.49			114					0.85	GR169 GRF169	4P	16	17254		93.19		114			1.00	16	17254	93.19	114	1.00	18			15351	82.91	114	1.10	20	13646	73.70			114	1.25	22	12479	67.40	114	1.35											25	10859	58.65	114	1.55	28	9584	51.76	114	1.80	33	8308	44.87	114	2.10	37	7391	39.92	114	2.30	43	6371	34.41	114	2.70	53	5177	27.96	114	3.30	62	4390	23.71	114	3.90	18	15455	83.47	31	0.80	GR149 GRF149	4P	20			13348	72.09	57	0.95	22	12403	66.99	59	1.00	24	11311	61.09	61	1.10	28	9789	52.87	64	1.25	32			8637	46.65	66			1.45	36	7460							40.29	67	1.65	41	6599	35.64	68	1.85	49	5545	29.95	69	2.20	61	4479	24.19	69	2.50	72	3785	20.44	70	3.00	GR149 GRF149	4P	81			3340	18.04	70	3.00	94	2896	15.64	70	4.30	29	9417	50.86	34	0.80	GR139 GRF139			4P	33	8219	44.39	49			0.90	39	6971	37.65	52	1.10	45	6093	32.91	54	1.25	53	5153	27.83	55	1.40	61	4466	24.12	56	1.70	67	4073	22.00	56	1.85	GR139 GRF139		4P	77	3525	19.04						57			2.20	88	3111	16.80	57	2.40	101	2687	14.51	57			2.80	115	2376	12.83	55	3.20	136			1998	10.79	54	3.80	194	1405	7.59					51	3.50	230	1181	6.38			49	4.10					73	3716	20.07			17	1.10	GR109 GRF109	4P	81	3372	18.21			17	1.20	94	2898	15.65	16			1.40	108	2529	13.66	16	1.60	127	2146	11.59			15	1.90	145	1876	10.13	15	2.20			172	1585	8.56	15	2.60			187			1455	7.86	15	1.95	221	1233	6.66	14	2.30	253	1078	5.82	14	2.60	299	911	4.92	13	3.00										
642	452	2.29	5.9	2.70			762	398	1.93	6.0	3.00	435	642			3.38	6.1	1.25	GRX109 GRXF109	4P	479	583	3.07	6.0	1.40			557	502	2.64	5.9	1.60			639	437	2.30	5.7	1.85	754	371	1.95	5.6	2.00	860	325	1.71	5.4			2.10	1021	274			1.44	5.2	2.30			503	555	2.92	3.0	1.05	GRX99 GRXF99	4P	557	502	2.64	3.4	1.15			656	426	2.24	3.8	1.35			750	373	1.96	4.2	1.50	896	312	1.64	4.4	1.60	1035	270	1.42	4.2	1.65	37kW							37kW							7.4	43094	200	128	0.85	GR179R109 GRF179R109	4P	8.8	36415	169	128	1.0	8.3	40348			177.89	128	0.85	9.6	35147	154.96	128	0.95	GR179 GRF179	4P	10.8	31141	137.30	128	1.05	10.8	31141			137.30	128	1.05			12.3	27186	119.86	128	1.35	13.8	24305	107.16	128	1.50	16.2	20785	91.64	128	1.70	19.5	17229	75.96	128	1.95			22.1	15201	67.02			128	2.40	25.8	13001	57.32			128	2.70	31.2		10776	47.51				128			3.15	36.3	9236	40.72	128	3.85	44.6	7526	33.18	128	4.50	16	21137	93.19	114	0.80	GR169 GRF169	4P	18	18805	82.91	114	0.90	20	16716			73.70	114	1.00			22	15287	67.40	114	1.10	25	13303	58.65	114	1.30	29	11740	51.76	114	1.45	33	10177	44.87	114	1.65	37	9054	39.92	114			1.90	43	7805					34.41							114	2.20	53	6342	27.96	114	2.70	48	6965	30.71	114	1.35	GR169 GRF169	4P	60	5573	24.57	114	2.40	68	4956			21.85	114	2.50			78	4316	19.03	114	3.50	87	3851	16.98	114	3.70	14	19902	107.49	114	0.85	GR169 GRF169	4P	16	17254	93.19			114	1.00	16			17254			93.19	114		1.00		18			15351	82.91	114	1.10	20	13646	73.70			114	1.25	22	12479	67.40	114	1.35			25	10859	58.65	114	1.55	28	9584											51.76	114	1.80	33	8308	44.87	114	2.10	37	7391	39.92	114	2.30	43	6371	34.41	114	2.70	53	5177	27.96	114	3.30	62	4390	23.71	114	3.90	18	15455	83.47	31	0.80	GR149 GRF149	4P	20	13348	72.09	57	0.95			22			12403	66.99	59	1.00	24	11311	61.09	61	1.10	28	9789	52.87	64	1.25	32	8637	46.65	66	1.45	36	7460	40.29	67	1.65	41			6599	35.64	68							1.85	49	5545	29.95	69	2.20	61	4479	24.19	69	2.50	72	3785	20.44	70	3.00	GR149 GRF149	4P	81	3340	18.04	70	3.00			94			2896	15.64	70	4.30	29	9417	50.86	34	0.80	GR139 GRF139	4P	33	8219	44.39					49	0.90	39	6971	37.65	52	1.10	45	6093	32.91	54	1.25	53	5153	27.83	55	1.40	61	4466	24.12	56	1.70	67	4073	22.00	56	1.85	GR139 GRF139	4P	77	3525	19.04				57	2.20	88				3111	16.80	57			2.40	101	2687	14.51	57	2.80	115	2376	12.83	55	3.20	136	1998	10.79	54	3.80	194	1405	7.59	51	3.50	230	1181	6.38	49	4.10	73	3716					20.07	17	1.10	GR109 GRF109	4P			81	3372					18.21	17	1.20			94	2898			15.65	16	1.40			108	2529	13.66	16	1.60	127			2146	11.59	15	1.90	145	1876	10.13	15	2.20			172	1585	8.56	15	2.60	187	1455			7.86	15	1.95	221	1233			6.66			14	2.30	253	1078	5.82	14	2.60	299	911	4.92	13	3.00																	
762	398	1.93	6.0	3.00			435	642	3.38	6.1	1.25	GRX109 GRXF109	4P	479	583	3.07	6.0	1.40			557	502	2.64	5.9	1.60			639	437	2.30	5.7	1.85			754	371	1.95	5.6	2.00	860	325	1.71	5.4	2.10	1021	274	1.44	5.2			2.30	503	555			2.92	3.0	1.05	GRX99 GRXF99	4P	557	502	2.64	3.4	1.15			656	426	2.24	3.8	1.35			750	373	1.96	4.2	1.50			896	312	1.64	4.4	1.60	1035	270	1.42	4.2	1.65	37kW							37kW							7.4	43094	200	128	0.85	GR179R109 GRF179R109	4P	8.8	36415	169			128	1.0	8.3	40348	177.89	128	0.85	9.6	35147	154.96	128	0.95	GR179 GRF179	4P	10.8	31141	137.30			128	1.05	10.8	31141	137.30	128	1.05			12.3	27186	119.86			128	1.35	13.8	24305	107.16	128	1.50	16.2	20785	91.64	128	1.70	19.5	17229	75.96	128	1.95	22.1	15201	67.02			128	2.40	25.8			13001	57.32	128	2.70	31.2			10776	47.51	128		3.15	36.3		9236	40.72	128			3.85	44.6	7526	33.18	128	4.50	16	21137	93.19	114	0.80	GR169 GRF169	4P	18	18805	82.91			114	0.90	20	16716	73.70	114	1.00			22	15287	67.40			114	1.10	25	13303	58.65	114	1.30	29	11740	51.76	114	1.45	33	10177	44.87	114	1.65	37	9054	39.92	114	1.90	43	7805			34.41	114	2.20			53	6342	27.96							114	2.70	48	6965	30.71	114	1.35	GR169 GRF169	4P	60	5573	24.57			114	2.40	68	4956	21.85	114	2.50			78	4316	19.03			114	3.50	87	3851	16.98	114	3.70	14	19902	107.49	114	0.85	GR169 GRF169	4P	16			17254	93.19	114	1.00	16	17254	93.19	114			1.00			18	15351		82.91		114			1.10	20	13646	73.70	114	1.25	22			12479	67.40	114	1.35	25	10859	58.65			114	1.55	28	9584	51.76	114	1.80											33	8308	44.87	114	2.10	37	7391	39.92	114	2.30	43	6371	34.41	114	2.70	53	5177	27.96	114	3.30	62	4390	23.71	114	3.90	18	15455	83.47	31	0.80	GR149 GRF149	4P	20			13348	72.09	57	0.95	22			12403			66.99	59	1.00	24	11311	61.09	61	1.10	28	9789	52.87	64	1.25	32	8637	46.65	66	1.45	36	7460	40.29	67	1.65	41	6599	35.64	68	1.85	49	5545							29.95	69	2.20	61	4479	24.19	69	2.50	72	3785	20.44	70	3.00	GR149 GRF149	4P	81			3340	18.04	70	3.00	94			2896			15.64	70	4.30	29	9417	50.86	34	0.80	GR139 GRF139			4P	33	8219					44.39	49	0.90	39	6971	37.65	52	1.10	45	6093	32.91	54	1.25	53	5153	27.83	55	1.40	61	4466	24.12	56	1.70	67	4073	22.00	56			1.85	GR139 GRF139	4P				77	3525	19.04				57	2.20	88	3111	16.80	57	2.40	101	2687	14.51	57	2.80	115	2376	12.83	55	3.20	136	1998	10.79	54	3.80	194	1405	7.59	51	3.50	230	1181	6.38	49	4.10	73	3716	20.07	17	1.10	GR109 GRF109	4P	81					3372	18.21					17	1.20	94			2898	15.65			16	1.40	108			2529	13.66	16	1.60	127	2146			11.59	15	1.90	145	1876	10.13	15	2.20	172			1585	8.56	15	2.60	187	1455	7.86			15	1.95	221	1233	6.66			14			2.30	253	1078	5.82	14	2.60	299	911	4.92	13	3.00																		
435	642	3.38	6.1	1.25	GRX109 GRXF109	4P																																																																																																																																																																																																																																																																																																																																																																																																																																																																																																																																																																																																																																																																																						
479	583	3.07	6.0	1.40			557	502	2.64	5.9	1.60			639	437	2.30	5.7	1.85			754	371	1.95	5.6	2.00			860	325	1.71	5.4	2.10			1021	274	1.44	5.2	2.30	503	555	2.92	3.0	1.05	GRX99 GRXF99	4P	557	502	2.64	3.4	1.15	656	426	2.24	3.8	1.35	750	373			1.96	4.2	1.50	896	312			1.64	4.4	1.60	1035	270			1.42	4.2	1.65	37kW							37kW							7.4	43094	200	128	0.85	GR179R109 GRF179R109	4P	8.8	36415	169	128	1.0	8.3	40348	177.89	128	0.85	9.6	35147	154.96	128	0.95	GR179 GRF179	4P	10.8	31141	137.30	128	1.05	10.8	31141	137.30	128	1.05	12.3	27186	119.86	128			1.35	13.8	24305			107.16	128	1.50	16.2	20785	91.64	128			1.70	19.5	17229			75.96	128	1.95	22.1	15201	67.02	128	2.40	25.8	13001	57.32	128	2.70	31.2	10776	47.51	128	3.15	36.3	9236			40.72	128	3.85			44.6	7526	33.18	128	4.50			16	21137	93.19	114	0.80	GR169 GRF169	4P	18	18805	82.91	114	0.90	20	16716	73.70	114	1.00	22	15287	67.40	114	1.10	25			13303	58.65	114			1.30	29	11740	51.76	114	1.45	33			10177	44.87	114			1.65	37	9054	39.92	114	1.90	43	7805	34.41	114	2.20	53	6342	27.96	114	2.70	48	6965	30.71	114	1.35	GR169 GRF169	4P	60			5573	24.57	114			2.40	68	4956		21.85	114	2.50	78		4316	19.03	114	3.50	87	3851	16.98			114	3.70	14			19902	107.49	114	0.85	GR169 GRF169	4P	16			17254	93.19	114	1.00	16	17254	93.19	114	1.00	18	15351	82.91	114	1.10	20	13646	73.70			114			1.25	22	12479	67.40	114	1.35	25	10859	58.65	114	1.55			28	9584		51.76		114	1.80	33	8308	44.87	114	2.10	37	7391	39.92			114	2.30	43	6371	34.41	114	2.70			53	5177	27.96	114	3.30	62	4390											23.71	114	3.90	18	15455	83.47	31	0.80	GR149 GRF149	4P	20	13348	72.09	57	0.95	22	12403	66.99	59	1.00	24	11311	61.09	61	1.10	28	9789	52.87	64	1.25			32			8637	46.65	66	1.45	36			7460			40.29	67	1.65	41	6599	35.64	68	1.85	49	5545	29.95	69	2.20	61	4479	24.19	69	2.50	72	3785	20.44	70	3.00	GR149 GRF149	4P	81	3340	18.04	70	3.00	94	2896		15.64	70		4.30	29	9417	50.86	34	0.80	GR139 GRF139	4P	33	8219	44.39	49	0.90			39			6971	37.65	52	1.10	45	6093	32.91	54	1.25	53	5153	27.83	55	1.40	61	4466	24.12	56					1.70	67					4073	22.00	56	1.85	GR139 GRF139	4P	77	3525	19.04	57	2.20	88	3111	16.80	57	2.40	101	2687	14.51	57	2.80	115	2376	12.83	55	3.20	136			1998						10.79	54	3.80		194	1405	7.59	51	3.50	230	1181	6.38	49	4.10	73	3716	20.07	17	1.10	GR109 GRF109	4P	81	3372	18.21	17	1.20	94	2898	15.65	16	1.40	108	2529	13.66	16	1.60	127	2146	11.59	15	1.90	145	1876			10.13			15	2.20	172	1585		8.56	15		2.60	187	1455	7.86	15	1.95	221			1233	6.66	14			2.30	253	1078	5.82	14	2.60	299	911	4.92	13	3.00																																																								
557	502	2.64	5.9	1.60			639	437	2.30	5.7	1.85			754	371	1.95	5.6	2.00			860	325	1.71	5.4	2.10			1021	274	1.44	5.2	2.30			503	555	2.92	3.0	1.05	GRX99 GRXF99	4P	557	502	2.64			3.4	1.15	656	426	2.24	3.8	1.35	750	373	1.96	4.2	1.50			896	312	1.64	4.4	1.60			1035	270	1.42	4.2	1.65	37kW							37kW							7.4	43094	200	128	0.85	GR179R109 GRF179R109	4P	8.8	36415	169			128	1.0	8.3	40348	177.89	128	0.85	9.6	35147	154.96	128	0.95	GR179 GRF179	4P	10.8			31141	137.30	128	1.05	10.8	31141	137.30	128	1.05	12.3	27186	119.86	128	1.35			13.8	24305	107.16			128	1.50	16.2	20785	91.64	128	1.70			19.5	17229	75.96			128	1.95	22.1	15201	67.02	128	2.40	25.8	13001	57.32	128	2.70	31.2	10776	47.51	128	3.15	36.3	9236	40.72			128	3.85	44.6			7526	33.18	128	4.50	16	21137	93.19	114	0.80	GR169 GRF169	4P	18			18805	82.91	114	0.90	20	16716	73.70	114	1.00	22	15287	67.40	114	1.10	25	13303			58.65	114	1.30			29	11740	51.76	114	1.45	33	10177			44.87	114	1.65			37	9054	39.92	114	1.90	43	7805	34.41	114	2.20	53	6342	27.96	114	2.70	48	6965	30.71	114	1.35	GR169 GRF169			4P			60	5573	24.57			114	2.40	68	4956	21.85	114	2.50	78	4316	19.03	114	3.50	87	3851	16.98	114			3.70	14	19902			107.49	114	0.85	GR169 GRF169			4P	16	17254	93.19	114	1.00	16	17254	93.19	114	1.00	18	15351	82.91	114	1.10	20	13646	73.70	114			1.25			22	12479	67.40	114	1.35	25	10859	58.65	114	1.55	28			9584	51.76		114		1.80	33	8308	44.87	114	2.10	37	7391	39.92	114	2.30	43	6371	34.41	114	2.70	53	5177	27.96			114	3.30	62	4390	23.71	114	3.90											18	15455	83.47	31	0.80	GR149 GRF149	4P	20			13348	72.09	57	0.95	22	12403	66.99	59	1.00	24	11311	61.09	61	1.10	28	9789	52.87	64	1.25	32			8637			46.65	66	1.45	36	7460			40.29			67	1.65	41	6599	35.64	68	1.85	49	5545	29.95	69	2.20	61	4479	24.19	69	2.50	72	3785	20.44	70	3.00	GR149 GRF149			4P	81	3340	18.04	70	3.00	94	2896	15.64	70	4.30	29	9417	50.86	34	0.80	GR139 GRF139			4P	33	8219	44.39	49			0.90	39	6971	37.65	52	1.10	45	6093	32.91	54	1.25	53	5153	27.83	55	1.40	61	4466	24.12	56	1.70					67	4073		22.00	56		1.85	GR139 GRF139	4P	77			3525	19.04	57	2.20	88	3111	16.80	57	2.40	101	2687	14.51	57	2.80	115	2376	12.83	55	3.20	136	1998			10.79						54	3.80	194		1405	7.59	51	3.50	230	1181	6.38	49	4.10	73	3716	20.07	17	1.10	GR109 GRF109			4P	81	3372	18.21	17	1.20	94	2898	15.65	16	1.40	108	2529	13.66	16	1.60	127	2146	11.59	15	1.90	145			1876			10.13	15	2.20	172	1585	8.56	15	2.60	187	1455	7.86	15	1.95	221	1233			6.66	14	2.30			253	1078	5.82	14	2.60	299	911	4.92	13	3.00																																																									
639	437	2.30	5.7	1.85			754	371	1.95	5.6	2.00			860	325	1.71	5.4	2.10			1021	274	1.44	5.2	2.30			503	555	2.92	3.0	1.05	GRX99 GRXF99	4P	557	502	2.64	3.4	1.15			656	426	2.24			3.8	1.35	750	373	1.96	4.2	1.50	896	312	1.64	4.4	1.60			1035	270	1.42	4.2	1.65	37kW							37kW							7.4	43094	200	128	0.85	GR179R109 GRF179R109	4P	8.8	36415	169	128	1.0			8.3	40348	177.89	128	0.85	9.6	35147	154.96	128	0.95	GR179 GRF179	4P	10.8	31141	137.30	128	1.05			10.8			31141	137.30	128	1.05	12.3	27186	119.86	128	1.35	13.8	24305	107.16	128	1.50			16.2	20785	91.64			128	1.70	19.5	17229	75.96	128	1.95			22.1	15201	67.02			128	2.40	25.8	13001	57.32	128	2.70	31.2	10776	47.51	128	3.15	36.3	9236	40.72	128	3.85	44.6	7526	33.18			128	4.50	16	21137	93.19	114	0.80	GR169 GRF169	4P	18	18805	82.91	114	0.90			20			16716	73.70	114	1.00	22	15287	67.40	114	1.10	25	13303	58.65	114	1.30	29	11740			51.76	114	1.45			33	10177	44.87	114	1.65	37	9054			39.92	114	1.90			43	7805	34.41	114	2.20	53	6342	27.96	114	2.70	48	6965	30.71	114	1.35	GR169 GRF169	4P	60	5573	24.57							114	2.40	68	4956	21.85	114	2.50	78	4316	19.03	114	3.50	87	3851	16.98	114	3.70	14	19902	107.49	114			0.85	GR169 GRF169	4P	16	17254	93.19	114	1.00					16	17254	93.19	114	1.00	18	15351	82.91	114	1.10	20	13646	73.70	114	1.25	22	12479	67.40	114			1.35			25	10859	58.65	114	1.55	28	9584	51.76	114	1.80	33			8308	44.87		114		2.10	37	7391	39.92	114	2.30	43	6371	34.41	114	2.70	53	5177	27.96	114	3.30	62	4390	23.71	114	3.90	18	15455	83.47	31	0.80	GR149 GRF149	4P											20	13348	72.09	57	0.95			22			12403	66.99	59	1.00	24	11311	61.09	61	1.10	28	9789	52.87	64	1.25	32	8637	46.65	66	1.45	36			7460			40.29	67	1.65	41	6599			35.64			68	1.85	49	5545	29.95	69	2.20	61	4479	24.19	69	2.50	72	3785	20.44	70	3.00	GR149 GRF149	4P	81	3340	18.04					70	3.00	94	2896	15.64	70	4.30	29	9417	50.86	34	0.80	GR139 GRF139	4P	33					8219	44.39	49	0.90	39	6971	37.65	52	1.10	45	6093	32.91	54	1.25	53	5153	27.83	55	1.40	61	4466	24.12	56	1.70	67	4073	22.00					56	1.85	GR139 GRF139	4P	77	3525	19.04			57			2.20	88	3111	16.80	57	2.40	101	2687	14.51	57	2.80	115	2376	12.83	55	3.20	136	1998	10.79	54	3.80			194						1405	7.59	51		3.50	230	1181	6.38	49	4.10	73	3716	20.07	17	1.10	GR109 GRF109	4P	81					3372	18.21	17	1.20	94	2898	15.65	16	1.40	108	2529	13.66	16	1.60	127	2146	11.59	15	1.90	145	1876			10.13			15	2.20	172	1585	8.56	15	2.60	187	1455	7.86	15	1.95	221	1233	6.66			14	2.30	253			1078	5.82	14	2.60	299	911	4.92	13	3.00																																																										
754	371	1.95	5.6	2.00			860	325	1.71	5.4	2.10			1021	274	1.44	5.2	2.30			503	555	2.92	3.0	1.05	GRX99 GRXF99	4P	557	502	2.64	3.4	1.15			656	426	2.24	3.8	1.35			750	373	1.96			4.2	1.50	896	312	1.64	4.4	1.60	1035	270	1.42	4.2	1.65	37kW							37kW							7.4	43094	200	128	0.85	GR179R109 GRF179R109	4P	8.8	36415	169	128	1.0			8.3	40348	177.89	128	0.85	9.6	35147	154.96	128	0.95	GR179 GRF179	4P	10.8	31141	137.30	128	1.05			10.8	31141	137.30	128	1.05			12.3			27186	119.86	128	1.35	13.8	24305	107.16	128	1.50	16.2	20785	91.64	128	1.70			19.5	17229	75.96			128	1.95	22.1	15201	67.02	128	2.40			25.8	13001	57.32			128	2.70	31.2	10776	47.51	128	3.15	36.3	9236	40.72	128	3.85	44.6	7526	33.18	128	4.50	16	21137	93.19	114	0.80	GR169 GRF169	4P	18	18805	82.91	114	0.90			20	16716	73.70	114	1.00			22			15287	67.40	114	1.10	25	13303	58.65	114	1.30	29	11740	51.76	114	1.45	33	10177			44.87	114	1.65			37	9054	39.92	114	1.90	43	7805			34.41	114	2.20			53	6342	27.96	114	2.70	48	6965	30.71	114	1.35	GR169 GRF169	4P	60	5573	24.57			114	2.40	68					4956	21.85	114	2.50	78	4316	19.03	114	3.50	87	3851	16.98	114	3.70	14	19902	107.49	114	0.85	GR169 GRF169	4P	16	17254	93.19	114	1.00			16	17254	93.19	114	1.00					18	15351	82.91	114	1.10	20	13646	73.70	114	1.25	22	12479	67.40	114	1.35	25	10859	58.65	114			1.55			28	9584	51.76	114	1.80	33	8308	44.87	114	2.10	37			7391	39.92		114		2.30	43	6371	34.41	114	2.70	53	5177	27.96	114	3.30	62	4390	23.71	114	3.90	18	15455	83.47	31	0.80	GR149 GRF149	4P	20	13348	72.09			57	0.95									22	12403	66.99	59	1.00			24			11311	61.09	61	1.10	28	9789	52.87	64	1.25	32	8637	46.65	66	1.45	36	7460	40.29	67	1.65	41			6599			35.64	68	1.85	49	5545			29.95	69	2.20	61	4479	24.19	69	2.50	72	3785	20.44	70	3.00	GR149 GRF149	4P	81	3340	18.04	70	3.00			94	2896	15.64					70	4.30	29	9417	50.86	34	0.80	GR139 GRF139	4P	33	8219	44.39			49					0.90	39	6971	37.65	52	1.10	45	6093	32.91	54	1.25	53	5153	27.83	55	1.40	61	4466	24.12	56	1.70	67	4073	22.00	56	1.85	GR139 GRF139		4P	77		3525	19.04			57	2.20	88			3111			16.80	57	2.40	101	2687	14.51	57	2.80	115	2376	12.83	55	3.20	136	1998	10.79	54	3.80	194	1405	7.59			51				3.50		230	1181	6.38	49	4.10	73	3716	20.07	17	1.10	GR109 GRF109	4P	81	3372	18.21			17					1.20	94	2898	15.65	16	1.40	108	2529	13.66	16	1.60	127	2146	11.59	15	1.90	145	1876	10.13	15	2.20			172			1585	8.56	15	2.60	187	1455	7.86	15	1.95	221	1233	6.66	14	2.30	253			1078	5.82	14			2.60	299	911	4.92	13	3.00																																																													
860	325	1.71	5.4	2.10			1021	274	1.44	5.2	2.30			503	555	2.92	3.0	1.05	GRX99 GRXF99	4P	557	502	2.64	3.4	1.15			656	426	2.24	3.8	1.35			750	373	1.96	4.2	1.50			896	312	1.64			4.4	1.60	1035	270	1.42	4.2	1.65	37kW							37kW							7.4	43094	200	128	0.85	GR179R109 GRF179R109	4P	8.8	36415	169			128	1.0	8.3	40348	177.89	128	0.85	9.6	35147	154.96	128	0.95	GR179 GRF179	4P	10.8	31141	137.30			128	1.05	10.8	31141	137.30			128	1.05	12.3	27186	119.86			128			1.35	13.8	24305	107.16	128	1.50	16.2	20785	91.64	128	1.70	19.5	17229	75.96			128	1.95	22.1			15201	67.02	128	2.40	25.8	13001	57.32			128	2.70	31.2			10776	47.51	128	3.15	36.3	9236	40.72	128	3.85	44.6	7526	33.18	128	4.50	16	21137	93.19	114	0.80	GR169 GRF169	4P	18			18805	82.91	114	0.90	20			16716	73.70	114	1.00	22			15287			67.40	114	1.10	25	13303	58.65	114	1.30	29	11740	51.76	114	1.45	33	10177	44.87			114	1.65	37			9054	39.92	114	1.90	43	7805	34.41			114	2.20	53			6342	27.96	114	2.70	48	6965	30.71	114	1.35	GR169 GRF169			4P	60	5573			24.57	114	2.40					68	4956	21.85	114	2.50	78	4316	19.03	114	3.50	87	3851	16.98	114	3.70	14	19902	107.49	114			0.85	GR169 GRF169	4P	16	17254			93.19	114	1.00	16	17254					93.19	114	1.00	18	15351	82.91	114	1.10	20	13646	73.70	114	1.25	22	12479	67.40	114	1.35	25			10859			58.65	114	1.55	28	9584	51.76	114	1.80	33	8308	44.87			114	2.10		37		7391	39.92	114	2.30	43	6371	34.41	114	2.70	53	5177	27.96	114	3.30	62	4390	23.71	114	3.90	18	15455			83.47	31	0.80			GR149 GRF149	4P		20	13348						72.09	57	0.95	22	12403			66.99			59	1.00	24	11311	61.09	61	1.10	28	9789	52.87	64	1.25	32	8637	46.65	66	1.45	36	7460	40.29			67			1.65	41	6599	35.64	68	1.85	49	5545	29.95	69	2.20	61	4479	24.19	69	2.50	72	3785	20.44	70			3.00	GR149 GRF149	4P	81	3340			18.04	70	3.00		94	2896		15.64	70	4.30	29	9417	50.86	34			0.80	GR139 GRF139	4P			33					8219	44.39	49	0.90	39	6971	37.65	52	1.10	45	6093	32.91	54	1.25	53	5153	27.83	55	1.40	61	4466	24.12	56	1.70	67	4073		22.00		56	1.85	GR139 GRF139	4P			77	3525	19.04			57			2.20	88	3111	16.80	57	2.40	101	2687	14.51	57	2.80	115	2376	12.83	55	3.20	136	1998	10.79	54	3.80			194			1405	7.59	51	3.50	230	1181	6.38	49	4.10	73	3716	20.07	17			1.10	GR109 GRF109	4P			81					3372	18.21	17	1.20	94	2898	15.65	16	1.40	108	2529	13.66	16	1.60	127	2146	11.59	15	1.90	145	1876			10.13			15	2.20	172	1585	8.56	15	2.60	187	1455	7.86	15	1.95	221	1233	6.66			14	2.30	253			1078	5.82	14	2.60	299	911	4.92	13	3.00																																																										
1021	274	1.44	5.2	2.30			503	555	2.92	3.0	1.05	GRX99 GRXF99	4P	557	502	2.64	3.4	1.15			656	426	2.24	3.8	1.35			750	373	1.96	4.2	1.50			896	312	1.64	4.4	1.60			1035	270	1.42	4.2	1.65	37kW							37kW							7.4	43094	200	128	0.85	GR179R109 GRF179R109	4P	8.8	36415	169	128	1.0			8.3	40348	177.89	128	0.85	9.6	35147	154.96	128	0.95	GR179 GRF179	4P	10.8	31141	137.30	128	1.05			10.8	31141	137.30			128	1.05	12.3	27186	119.86			128	1.35	13.8	24305	107.16			128			1.50	16.2	20785	91.64	128	1.70	19.5	17229	75.96	128	1.95	22.1	15201	67.02			128	2.40	25.8			13001	57.32	128	2.70	31.2	10776	47.51			128	3.15	36.3	9236	40.72	128	3.85	44.6	7526	33.18	128	4.50	16	21137	93.19	114	0.80	GR169 GRF169	4P	18	18805	82.91	114	0.90			20			16716	73.70	114	1.00	22			15287	67.40	114	1.10	25			13303			58.65	114	1.30	29	11740	51.76	114	1.45	33	10177	44.87	114	1.65	37	9054	39.92			114	1.90	43			7805	34.41	114	2.20	53	6342	27.96			114	2.70	48	6965	30.71	114	1.35	GR169 GRF169	4P	60	5573	24.57	114	2.40					68	4956			21.85	114	2.50		78	4316		19.03	114	3.50	87	3851	16.98	114	3.70	14	19902	107.49	114	0.85	GR169 GRF169	4P	16	17254	93.19	114			1.00			16	17254			93.19	114	1.00	18	15351					82.91	114	1.10	20	13646	73.70	114	1.25	22	12479	67.40	114	1.35	25	10859	58.65	114	1.55	28			9584			51.76	114	1.80	33	8308	44.87	114	2.10	37	7391	39.92			114	2.30		43		6371	34.41	114	2.70	53	5177	27.96	114	3.30	62	4390	23.71	114	3.90	18	15455	83.47	31	0.80	GR149 GRF149	4P			20	13348	72.09						57	0.95		22	12403			66.99	59	1.00	24	11311			61.09			61	1.10	28	9789	52.87	64	1.25	32	8637	46.65	66	1.45	36	7460	40.29	67	1.65	41	6599	35.64			68	1.85	49	5545	29.95	69	2.20	61	4479	24.19	69	2.50	72	3785	20.44	70	3.00	GR149 GRF149	4P	81	3340	18.04	70			3.00			94	2896			15.64	70	4.30	29	9417	50.86	34	0.80	GR139 GRF139	4P	33	8219	44.39	49			0.90					39					6971	37.65	52	1.10	45	6093	32.91	54	1.25	53	5153	27.83	55	1.40	61	4466	24.12	56	1.70	67	4073	22.00	56	1.85	GR139 GRF139	4P		77		3525	19.04					57	2.20	88			3111			16.80	57	2.40	101	2687	14.51	57	2.80	115	2376	12.83	55	3.20	136	1998	10.79	54	3.80	194	1405	7.59	51	3.50	230			1181	6.38	49	4.10	73	3716	20.07	17	1.10	GR109 GRF109	4P	81	3372			18.21					17					1.20	94	2898	15.65	16	1.40	108	2529	13.66	16	1.60	127	2146	11.59	15	1.90	145	1876	10.13	15	2.20			172			1585	8.56	15	2.60	187	1455	7.86	15	1.95	221	1233	6.66	14	2.30	253			1078	5.82	14			2.60	299	911	4.92	13	3.00																																																													
503	555	2.92	3.0	1.05	GRX99 GRXF99	4P																																																																																																																																																																																																																																																																																																																																																																																																																																																																																																																																																																																																																																																																																						
557	502	2.64	3.4	1.15			656	426	2.24	3.8	1.35			750	373	1.96	4.2	1.50			896	312	1.64	4.4	1.60			1035	270	1.42	4.2	1.65	37kW							37kW							7.4	43094	200	128	0.85	GR179R109 GRF179R109	4P	8.8	36415	169	128	1.0	8.3	40348	177.89	128	0.85	9.6	35147	154.96	128	0.95	GR179 GRF179	4P	10.8	31141	137.30	128	1.05	10.8	31141	137.30	128	1.05	12.3	27186	119.86	128			1.35	13.8	24305	107.16	128			1.50	16.2	20785			91.64	128	1.70	19.5	17229			75.96	128	1.95	22.1	15201			67.02			128	2.40	25.8	13001	57.32	128	2.70	31.2	10776	47.51	128	3.15	36.3	9236			40.72	128	3.85	44.6	7526	33.18	128	4.50	16	21137	93.19	114	0.80	GR169 GRF169	4P	18	18805	82.91	114	0.90	20	16716	73.70	114	1.00	22	15287	67.40	114	1.10	25			13303	58.65	114	1.30	29			11740			51.76	114	1.45	33	10177			44.87	114	1.65	37	9054			39.92			114	1.90	43	7805	34.41	114	2.20	53	6342	27.96	114	2.70	48	6965	30.71	114			1.35	GR169 GRF169	4P	60	5573	24.57	114	2.40	68	4956	21.85	114	2.50	78	4316	19.03	114	3.50	87	3851	16.98			114	3.70	14	19902	107.49					114	0.85	GR169 GRF169	4P	16	17254	93.19	114	1.00	16	17254	93.19	114	1.00	18	15351	82.91	114	1.10	20	13646	73.70	114	1.25			22	12479	67.40	114			1.35			25	10859			58.65	114	1.55	28	9584					51.76	114	1.80	33	8308	44.87	114	2.10	37	7391	39.92	114	2.30	43	6371	34.41	114	2.70	53			5177			27.96	114	3.30	62	4390	23.71	114	3.90	18	15455	83.47			31	0.80		GR149 GRF149		4P	20	13348	72.09	57	0.95	22	12403	66.99	59	1.00	24	11311	61.09	61	1.10	28	9789	52.87					64	1.25	32					8637	46.65	66	1.45	36	7460	40.29	67	1.65	41	6599	35.64	68			1.85			49	5545	29.95	69	2.20	61	4479	24.19	69	2.50	72	3785	20.44	70	3.00	GR149 GRF149	4P	81	3340	18.04	70	3.00	94	2896	15.64	70	4.30	29	9417	50.86	34	0.80	GR139 GRF139	4P	33	8219	44.39	49	0.90			39	6971	37.65	52	1.10	45	6093			32.91	54	1.25	53	5153	27.83	55	1.40	61	4466	24.12	56			1.70	67	4073	22.00			56					1.85	GR139 GRF139	4P	77	3525	19.04	57	2.20	88	3111	16.80	57	2.40	101	2687	14.51	57	2.80	115	2376	12.83	55	3.20	136	1998	10.79	54	3.80	194				1405		7.59	51					3.50	230	1181			6.38			49	4.10	73	3716	20.07	17	1.10	GR109 GRF109	4P	81	3372	18.21	17	1.20	94	2898	15.65	16	1.40	108	2529	13.66	16	1.60	127	2146	11.59	15	1.90	145	1876	10.13	15	2.20	172			1585	8.56			15					2.60					187	1455	7.86	15	1.95	221	1233	6.66	14	2.30	253	1078	5.82	14	2.60	299	911	4.92	13	3.00																																																																																															
656	426	2.24	3.8	1.35			750	373	1.96	4.2	1.50			896	312	1.64	4.4	1.60			1035	270	1.42	4.2	1.65	37kW							37kW							7.4	43094	200	128	0.85	GR179R109 GRF179R109	4P	8.8	36415	169	128	1.0			8.3	40348	177.89	128	0.85	9.6	35147	154.96	128	0.95	GR179 GRF179	4P	10.8	31141	137.30			128	1.05	10.8	31141	137.30	128	1.05	12.3	27186	119.86	128	1.35	13.8	24305			107.16	128	1.50	16.2	20785			91.64	128	1.70			19.5	17229	75.96	128	1.95			22.1	15201	67.02	128	2.40			25.8			13001	57.32	128	2.70	31.2	10776	47.51	128	3.15	36.3	9236	40.72	128	3.85	44.6	7526	33.18	128	4.50	16	21137	93.19	114	0.80	GR169 GRF169	4P	18	18805	82.91			114	0.90	20	16716	73.70	114	1.00	22	15287	67.40	114	1.10	25	13303	58.65	114			1.30	29	11740	51.76	114			1.45			33	10177	44.87	114	1.65			37	9054	39.92	114	1.90			43			7805	34.41	114	2.20	53	6342	27.96	114	2.70	48	6965	30.71	114	1.35	GR169 GRF169	4P	60	5573	24.57			114	2.40	68	4956	21.85	114	2.50	78	4316	19.03	114	3.50	87	3851	16.98	114	3.70	14			19902	107.49	114	0.85	GR169 GRF169		4P	16		17254	93.19			114	1.00	16	17254	93.19	114	1.00	18	15351	82.91	114	1.10	20	13646	73.70	114	1.25	22	12479	67.40			114	1.35	25	10859			58.65			114	1.55			28	9584	51.76	114	1.80					33	8308	44.87	114	2.10	37	7391	39.92	114	2.30	43	6371	34.41	114	2.70	53	5177	27.96	114			3.30			62	4390	23.71	114	3.90	18	15455	83.47	31	0.80	GR149 GRF149			4P	20					13348	72.09	57	0.95	22	12403	66.99	59	1.00	24	11311	61.09	61	1.10	28	9789	52.87	64					1.25	32	8637					46.65	66	1.45	36	7460	40.29	67	1.65	41	6599	35.64	68	1.85			49	5545	29.95	69	2.20	61	4479	24.19	69	2.50	72	3785	20.44	70	3.00	GR149 GRF149	4P	81			3340	18.04	70	3.00	94	2896	15.64	70	4.30	29	9417	50.86	34	0.80	GR139 GRF139			4P	33	8219	44.39	49			0.90	39	6971	37.65	52	1.10	45	6093	32.91	54	1.25	53	5153	27.83	55	1.40	61	4466	24.12	56	1.70			67	4073	22.00	56			1.85			GR139 GRF139	4P	77			3525	19.04	57	2.20	88	3111	16.80	57	2.40	101	2687	14.51	57	2.80	115	2376	12.83	55	3.20	136	1998	10.79	54	3.80	194	1405				7.59		51	3.50					230	1181	6.38			49	4.10	73	3716	20.07	17	1.10	GR109 GRF109	4P	81			3372	18.21	17	1.20	94	2898	15.65	16	1.40	108	2529	13.66	16	1.60	127	2146	11.59	15	1.90	145	1876	10.13	15	2.20	172	1585			8.56	15			2.60					187					1455	7.86	15	1.95	221	1233	6.66	14	2.30	253	1078	5.82	14	2.60	299	911	4.92	13	3.00																																																																																																
750	373	1.96	4.2	1.50			896	312	1.64	4.4	1.60			1035	270	1.42	4.2	1.65	37kW							37kW							7.4	43094	200	128	0.85	GR179R109 GRF179R109	4P	8.8	36415	169	128	1.0			8.3	40348	177.89	128	0.85	9.6	35147	154.96	128	0.95	GR179 GRF179	4P	10.8	31141	137.30	128	1.05			10.8	31141	137.30			128	1.05	12.3	27186	119.86	128	1.35	13.8	24305	107.16	128	1.50	16.2	20785			91.64	128	1.70	19.5	17229			75.96	128	1.95			22.1	15201	67.02	128	2.40			25.8	13001	57.32	128	2.70			31.2			10776	47.51	128	3.15	36.3	9236	40.72	128	3.85	44.6	7526	33.18	128	4.50	16	21137	93.19	114	0.80	GR169 GRF169	4P	18	18805	82.91			114	0.90	20			16716	73.70	114	1.00	22	15287	67.40	114	1.10	25	13303	58.65	114	1.30	29	11740			51.76	114	1.45	33	10177			44.87			114	1.65	37	9054	39.92			114	1.90	43	7805	34.41			114			2.20	53	6342	27.96	114	2.70	48	6965	30.71	114	1.35	GR169 GRF169	4P	60			5573	24.57	114			2.40	68	4956	21.85	114	2.50	78	4316	19.03	114	3.50	87	3851	16.98	114	3.70	14	19902			107.49	114	0.85	GR169 GRF169		4P		16	17254	93.19	114			1.00	16	17254	93.19	114	1.00	18	15351	82.91	114	1.10	20	13646	73.70	114	1.25	22	12479	67.40	114			1.35	25	10859	58.65			114			1.55	28			9584	51.76	114	1.80	33					8308	44.87	114	2.10	37	7391	39.92	114	2.30	43	6371	34.41	114	2.70	53	5177	27.96	114	3.30			62			4390	23.71	114	3.90	18	15455	83.47	31	0.80	GR149 GRF149					4P	20		13348		72.09	57	0.95	22	12403	66.99	59	1.00	24	11311	61.09	61	1.10	28	9789	52.87	64	1.25					32	8637	46.65					66	1.45	36	7460	40.29	67	1.65	41	6599	35.64	68	1.85	49	5545	29.95	69	2.20	61	4479	24.19	69	2.50	72	3785	20.44	70	3.00	GR149 GRF149	4P	81			3340			18.04	70	3.00	94	2896	15.64	70	4.30	29	9417	50.86	34	0.80	GR139 GRF139					4P	33	8219	44.39	49	0.90	39	6971	37.65	52	1.10	45	6093	32.91	54	1.25	53	5153	27.83	55	1.40	61	4466	24.12	56	1.70	67			4073	22.00	56	1.85	GR139 GRF139	4P	77					3525			19.04	57	2.20	88	3111	16.80	57	2.40	101	2687	14.51	57	2.80	115	2376	12.83	55	3.20	136	1998	10.79	54	3.80	194	1405	7.59				51		3.50	230					1181	6.38	49	4.10	73	3716	20.07	17	1.10	GR109 GRF109	4P	81			3372			18.21	17	1.20	94	2898	15.65	16	1.40	108	2529	13.66	16	1.60	127	2146	11.59	15	1.90	145	1876	10.13	15	2.20	172	1585	8.56			15	2.60			187					1455					7.86	15	1.95	221	1233	6.66	14	2.30	253	1078	5.82	14	2.60	299	911	4.92	13	3.00																																																																																																	
896	312	1.64	4.4	1.60			1035	270	1.42	4.2	1.65	37kW							37kW							7.4	43094	200	128	0.85	GR179R109 GRF179R109	4P	8.8	36415	169	128	1.0			8.3	40348	177.89	128	0.85	9.6	35147	154.96	128	0.95	GR179 GRF179	4P	10.8	31141	137.30	128	1.05			10.8	31141	137.30	128	1.05			12.3	27186	119.86			128	1.35	13.8	24305	107.16	128	1.50	16.2	20785	91.64	128	1.70	19.5	17229			75.96	128	1.95	22.1	15201			67.02	128	2.40			25.8	13001	57.32	128	2.70			31.2	10776	47.51	128	3.15			36.3	9236	40.72	128	3.85	44.6	7526	33.18	128	4.50	16	21137	93.19	114	0.80	GR169 GRF169	4P	18	18805	82.91	114	0.90			20	16716	73.70			114	1.00	22			15287	67.40	114	1.10	25	13303	58.65	114	1.30	29	11740	51.76	114	1.45	33	10177			44.87	114	1.65	37	9054			39.92			114	1.90	43	7805	34.41			114	2.20	53	6342	27.96			114	2.70	48	6965	30.71	114	1.35	GR169 GRF169	4P	60	5573	24.57	114	2.40			68			4956	21.85	114			2.50	78	4316	19.03	114	3.50	87	3851	16.98	114	3.70	14	19902	107.49	114	0.85	GR169 GRF169	4P	16	17254	93.19	114	1.00					16	17254	93.19	114			1.00	18	15351	82.91	114	1.10	20	13646	73.70	114	1.25	22	12479	67.40	114	1.35	25	10859	58.65	114			1.55	28	9584	51.76			114			1.80	33			8308	44.87	114	2.10	37					7391	39.92	114	2.30	43	6371	34.41	114	2.70	53	5177	27.96	114	3.30	62	4390	23.71	114	3.90			18			15455	83.47	31	0.80	GR149 GRF149	4P	20	13348	72.09			57	0.95			22		12403		66.99	59	1.00	24	11311	61.09	61	1.10	28	9789	52.87	64	1.25	32	8637	46.65	66	1.45					36	7460	40.29	67	1.65			41	6599	35.64	68	1.85	49	5545	29.95	69	2.20	61	4479	24.19	69	2.50	72	3785	20.44	70	3.00	GR149 GRF149	4P	81	3340	18.04	70	3.00			94			2896			15.64	70	4.30	29	9417	50.86	34	0.80	GR139 GRF139	4P	33	8219	44.39							49	0.90	39	6971	37.65	52	1.10	45	6093	32.91	54	1.25	53	5153	27.83	55	1.40	61	4466	24.12	56	1.70	67	4073	22.00	56			1.85	GR139 GRF139	4P	77			3525	19.04	57			2.20			88	3111	16.80	57	2.40	101	2687	14.51	57	2.80	115	2376	12.83	55	3.20	136	1998	10.79	54	3.80	194	1405	7.59	51	3.50	230				1181		6.38	49			4.10	73	3716	20.07	17	1.10	GR109 GRF109	4P	81	3372	18.21			17			1.20			94	2898	15.65	16	1.40	108	2529	13.66	16	1.60	127	2146	11.59	15	1.90	145	1876	10.13	15	2.20	172	1585	8.56	15	2.60	187			1455	7.86			15					1.95					221	1233	6.66	14	2.30	253	1078	5.82	14	2.60	299	911	4.92	13	3.00																																																																																																				
1035	270	1.42	4.2	1.65	37kW							37kW							7.4	43094	200	128	0.85	GR179R109 GRF179R109	4P	8.8	36415	169	128	1.0			8.3	40348	177.89	128	0.85	9.6	35147	154.96	128	0.95	GR179 GRF179	4P	10.8	31141	137.30	128	1.05			10.8	31141	137.30	128	1.05			12.3	27186	119.86	128	1.35			13.8	24305	107.16			128	1.50	16.2	20785	91.64	128	1.70	19.5	17229	75.96	128	1.95	22.1	15201			67.02	128	2.40	25.8	13001			57.32	128	2.70			31.2	10776	47.51	128	3.15			36.3	9236	40.72	128	3.85	44.6	7526	33.18	128	4.50	16	21137	93.19	114	0.80	GR169 GRF169	4P	18	18805	82.91	114	0.90			20	16716	73.70	114	1.00			22	15287	67.40			114	1.10	25			13303	58.65	114	1.30	29	11740	51.76	114	1.45	33	10177	44.87	114	1.65	37	9054			39.92	114	1.90	43	7805			34.41			114	2.20	53	6342	27.96			114	2.70	48	6965	30.71	114	1.35	GR169 GRF169	4P	60	5573	24.57	114	2.40			68	4956	21.85	114	2.50			78			4316	19.03	114			3.50	87	3851	16.98	114	3.70	14	19902	107.49	114	0.85	GR169 GRF169	4P	16	17254	93.19			114	1.00	16	17254	93.19					114	1.00	18	15351			82.91	114	1.10	20	13646	73.70	114	1.25	22	12479	67.40	114	1.35	25	10859	58.65	114	1.55	28	9584			51.76	114	1.80	33			8308			44.87	114			2.10	37	7391	39.92	114					2.30	43	6371	34.41	114	2.70	53	5177	27.96	114	3.30	62	4390	23.71	114	3.90	18	15455	83.47			31	0.80	GR149 GRF149	4P	20	13348	72.09			57	0.95	22			12403	66.99			59		1.00		24	11311	61.09	61	1.10	28	9789	52.87	64	1.25	32	8637	46.65	66	1.45	36	7460	40.29			67	1.65	41	6599	35.64	68	1.85			49	5545	29.95	69	2.20	61	4479	24.19	69	2.50	72	3785	20.44	70	3.00	GR149 GRF149	4P	81	3340	18.04			70	3.00	94	2896	15.64			70			4.30	29	9417	50.86	34	0.80	GR139 GRF139	4P	33	8219	44.39			49	0.90	39							6971	37.65	52	1.10	45	6093	32.91	54	1.25	53	5153	27.83	55	1.40	61	4466	24.12	56	1.70	67	4073	22.00	56	1.85	GR139 GRF139	4P	77	3525	19.04			57			2.20	88	3111			16.80			57	2.40	101	2687	14.51	57	2.80	115	2376	12.83	55	3.20	136	1998	10.79	54	3.80	194	1405	7.59	51	3.50	230	1181	6.38	49			4.10	73	3716	20.07	17			1.10	GR109 GRF109	4P	81	3372	18.21			17	1.20	94			2898			15.65			16	1.40	108	2529	13.66	16	1.60	127	2146	11.59	15	1.90	145	1876	10.13	15	2.20	172	1585	8.56	15	2.60	187	1455	7.86	15			1.95	221			1233					6.66		14	2.30		253	1078	5.82	14	2.60	299	911	4.92	13	3.00																																																																																																									
37kW							37kW																																																																																																																																																																																																																																																																																																																																																																																																																																																																																																																																																																																																																																																																																					
7.4	43094	200	128	0.85	GR179R109 GRF179R109	4P	8.8	36415	169	128	1.0																																																																																																																																																																																																																																																																																																																																																																																																																																																																																																																																																																																																																																																																																	
8.3	40348	177.89	128	0.85			9.6	35147	154.96	128	0.95	GR179 GRF179	4P	10.8	31141	137.30	128	1.05	10.8	31141	137.30	128	1.05	12.3	27186	119.86	128	1.35	13.8	24305	107.16	128	1.50	16.2	20785	91.64	128	1.70	19.5	17229	75.96	128			1.95	22.1	15201	67.02	128			2.40	25.8	13001	57.32	128			2.70	31.2	10776	47.51	128			3.15	36.3	9236			40.72	128	3.85	44.6	7526	33.18	128	4.50	16	21137	93.19	114	0.80	GR169 GRF169			4P	18	18805	82.91	114	0.90	20	16716	73.70	114	1.00	22	15287	67.40	114	1.10	25	13303	58.65	114	1.30	29	11740	51.76	114	1.45	33	10177	44.87	114	1.65	37	9054	39.92			114	1.90	43	7805	34.41			114	2.20	53	6342	27.96			114	2.70	48			6965	30.71	114			1.35	GR169 GRF169	4P	60	5573	24.57	114	2.40	68	4956	21.85	114	2.50	78	4316	19.03			114	3.50	87	3851	16.98	114	3.70	14	19902	107.49	114	0.85	GR169 GRF169	4P	16	17254	93.19	114	1.00	16	17254	93.19	114	1.00			18	15351	82.91	114	1.10			20	13646	73.70	114	1.25	22	12479	67.40	114	1.35	25	10859	58.65	114	1.55	28	9584	51.76	114	1.80	33	8308	44.87	114	2.10	37			7391	39.92	114			2.30	43	6371	34.41	114					2.70	53	5177	27.96			114	3.30	62	4390	23.71	114	3.90	18	15455	83.47	31	0.80	GR149 GRF149	4P	20	13348	72.09	57	0.95	22			12403	66.99	59	1.00			24			11311	61.09			61	1.10	28	9789	52.87		64	1.25		32	8637	46.65	66	1.45	36	7460	40.29	67	1.65	41	6599	35.64	68	1.85	49	5545	29.95	69	2.20	61	4479	24.19			69	2.50	72			3785	20.44	70			3.00	GR149 GRF149			4P		81		3340	18.04	70	3.00	94	2896	15.64	70	4.30	29	9417	50.86	34	0.80	GR139 GRF139	4P	33	8219	44.39	49	0.90	39	6971	37.65	52	1.10	45	6093	32.91	54	1.25	53	5153	27.83	55	1.40	61	4466	24.12	56	1.70	67	4073	22.00			56	1.85	GR139 GRF139	4P	77	3525	19.04	57	2.20	88	3111	16.80	57	2.40	101	2687	14.51	57	2.80	115	2376			12.83	55	3.20			136	1998	10.79		54	3.80	194	1405		7.59	51	3.50	230	1181	6.38	49	4.10	73	3716	20.07	17	1.10	GR109 GRF109	4P	81	3372	18.21	17	1.20	94	2898	15.65	16			1.40	108	2529			13.66			16	1.60	127			2146			11.59	15	1.90	145	1876	10.13	15	2.20	172	1585	8.56	15	2.60	187	1455	7.86	15	1.95	221	1233	6.66	14	2.30	253	1078	5.82	14	2.60	299	911	4.92	13	3.00																																																																																																																																																																																		
9.6	35147	154.96	128	0.95	GR179 GRF179	4P	10.8	31141	137.30	128	1.05			10.8	31141	137.30	128	1.05	12.3	27186	119.86	128	1.35	13.8	24305	107.16	128	1.50	16.2	20785	91.64	128	1.70	19.5	17229	75.96	128	1.95	22.1	15201	67.02	128			2.40	25.8	13001	57.32	128			2.70	31.2	10776	47.51	128			3.15	36.3	9236	40.72	128			3.85	44.6	7526			33.18	128	4.50	16	21137	93.19	114	0.80	GR169 GRF169	4P	18	18805	82.91		114	0.90		20	16716	73.70	114	1.00	22	15287	67.40	114	1.10	25	13303	58.65	114	1.30	29	11740	51.76	114	1.45	33	10177	44.87	114	1.65	37	9054	39.92	114	1.90	43	7805	34.41			114	2.20	53	6342	27.96			114	2.70	48	6965	30.71			114	1.35	GR169 GRF169			4P	60	5573			24.57			114	2.40	68	4956	21.85	114	2.50	78	4316	19.03	114	3.50	87	3851	16.98	114	3.70	14	19902	107.49	114	0.85	GR169 GRF169	4P	16	17254	93.19			114	1.00	16	17254	93.19	114	1.00	18	15351	82.91			114	1.10	20	13646	73.70	114	1.25	22	12479	67.40	114	1.35	25	10859	58.65	114	1.55	28	9584	51.76	114	1.80	33	8308	44.87	114	2.10	37	7391	39.92	114	2.30	43			6371	34.41	114			2.70	53	5177	27.96	114					3.30	62	4390	23.71			114	3.90	18	15455	83.47	31	0.80	GR149 GRF149	4P	20	13348	72.09			57	0.95	22	12403	66.99	59			1.00	24	11311	61.09			61			1.10	28			9789	52.87	64	1.25	32	8637	46.65	66	1.45	36	7460	40.29	67	1.65	41	6599	35.64	68	1.85	49	5545	29.95	69	2.20	61	4479	24.19	69	2.50	72	3785	20.44			70	3.00	GR149 GRF149			4P	81	3340			18.04					70	3.00	94	2896	15.64	70	4.30	29	9417	50.86	34	0.80	GR139 GRF139	4P	33	8219	44.39			49	0.90	39	6971	37.65	52	1.10	45	6093	32.91	54	1.25	53	5153	27.83	55	1.40	61	4466	24.12	56	1.70	67	4073	22.00	56	1.85	GR139 GRF139	4P	77	3525	19.04			57	2.20	88	3111	16.80	57	2.40	101	2687	14.51	57	2.80	115	2376	12.83	55	3.20			136	1998	10.79			54	3.80	194	1405	7.59	51	3.50	230	1181	6.38	49	4.10	73	3716	20.07	17	1.10	GR109 GRF109	4P	81	3372	18.21			17	1.20	94	2898	15.65	16	1.40	108	2529			13.66	16	1.60			127			2146	11.59	15			1.90	145	1876	10.13	15	2.20	172	1585	8.56	15	2.60	187	1455	7.86	15	1.95	221	1233	6.66	14	2.30	253	1078	5.82	14	2.60	299	911	4.92	13	3.00																																																																																																																																																																																							
10.8	31141	137.30	128	1.05			12.3	27186	119.86	128	1.35			13.8	24305	107.16	128	1.50	16.2	20785	91.64	128	1.70	19.5	17229	75.96	128	1.95	22.1	15201	67.02	128	2.40	25.8	13001	57.32	128	2.70	31.2	10776	47.51	128			3.15	36.3	9236	40.72	128			3.85	44.6	7526	33.18	128			4.50	16	21137	93.19	114			0.80	GR169 GRF169	4P			18	18805	82.91	114	0.90	20	16716	73.70			114	1.00	22		15287	67.40		114	1.10	25	13303	58.65	114	1.30	29	11740	51.76	114	1.45	33	10177	44.87	114	1.65	37	9054	39.92	114	1.90	43	7805	34.41	114	2.20	53	6342	27.96	114	2.70	48			6965	30.71	114	1.35	GR169 GRF169			4P	60	5573	24.57	114			2.40	68					4956	21.85			114			2.50	78	4316	19.03	114	3.50	87	3851	16.98	114	3.70	14	19902	107.49	114	0.85	GR169 GRF169	4P	16	17254	93.19	114			1.00	16	17254			93.19	114	1.00	18	15351	82.91	114	1.10	20	13646	73.70	114	1.25	22	12479	67.40	114	1.35	25	10859	58.65	114	1.55	28	9584	51.76	114	1.80	33	8308	44.87	114	2.10	37	7391	39.92	114	2.30	43	6371	34.41	114	2.70	53	5177			27.96	114	3.30			62	4390	23.71	114	3.90					18	15455	83.47	31			0.80	GR149 GRF149	4P	20	13348	72.09	57			0.95	22	12403			66.99	59	1.00	24	11311	61.09			61	1.10	28	9789			52.87			64	1.25	32	8637	46.65	66	1.45	36	7460	40.29	67	1.65	41	6599	35.64	68	1.85	49	5545	29.95	69	2.20	61	4479	24.19	69	2.50	72	3785	20.44	70	3.00	GR149 GRF149	4P	81	3340			18.04	70					3.00	94		2896	15.64		70			4.30	29	9417	50.86	34	0.80	GR139 GRF139	4P	33	8219	44.39	49			0.90	39	6971			37.65	52	1.10	45	6093	32.91	54	1.25	53	5153	27.83	55	1.40	61	4466	24.12	56	1.70	67	4073	22.00	56	1.85	GR139 GRF139	4P	77	3525			19.04	57	2.20			88	3111	16.80	57	2.40	101	2687	14.51	57	2.80	115	2376	12.83	55	3.20	136	1998			10.79	54	3.80	194	1405	7.59	51	3.50	230	1181	6.38	49	4.10	73	3716	20.07	17	1.10	GR109 GRF109	4P	81	3372			18.21	17	1.20			94	2898	15.65	16	1.40	108	2529	13.66	16			1.60	127	2146			11.59			15	1.90	145	1876	10.13	15	2.20	172	1585	8.56	15	2.60	187	1455	7.86	15	1.95	221	1233	6.66	14	2.30	253	1078	5.82	14	2.60	299	911	4.92	13	3.00																																																																																																																																																																																											
12.3	27186	119.86	128	1.35			13.8	24305	107.16	128	1.50			16.2	20785	91.64	128	1.70	19.5	17229	75.96	128	1.95	22.1	15201	67.02	128	2.40	25.8	13001	57.32	128	2.70	31.2	10776	47.51	128	3.15	36.3	9236	40.72	128			3.85	44.6	7526	33.18	128			4.50	16	21137	93.19	114			0.80	GR169 GRF169	4P	18	18805			82.91			114	0.90	20	16716	73.70	114	1.00	22	15287	67.40			114	1.10	25		13303	58.65		114	1.30	29	11740	51.76	114	1.45	33	10177	44.87	114	1.65	37	9054	39.92	114	1.90	43	7805	34.41	114	2.20	53	6342	27.96	114	2.70	48	6965	30.71	114	1.35	GR169 GRF169			4P	60	5573	24.57					114	2.40	68	4956			21.85	114					2.50	78	4316	19.03	114			3.50	87	3851	16.98	114	3.70	14	19902	107.49	114	0.85	GR169 GRF169	4P	16	17254	93.19			114	1.00	16	17254			93.19	114	1.00			18	15351	82.91	114	1.10	20	13646	73.70	114	1.25	22	12479	67.40	114	1.35	25	10859	58.65	114	1.55	28	9584	51.76	114	1.80	33	8308	44.87	114	2.10	37	7391	39.92	114	2.30	43	6371	34.41	114	2.70	53	5177	27.96	114	3.30			62	4390	23.71			114	3.90	18	15455	83.47					31	0.80	GR149 GRF149	4P			20			13348	72.09	57	0.95			22	12403	66.99			59	1.00	24	11311	61.09	61			1.10	28	9789	52.87	64	1.25	32			8637	46.65	66	1.45	36	7460	40.29	67	1.65	41	6599	35.64	68	1.85	49	5545	29.95	69	2.20	61	4479	24.19	69	2.50	72	3785	20.44	70	3.00	GR149 GRF149	4P	81			3340	18.04			70	3.00					94	2896	15.64	70	4.30		29	9417		50.86	34	0.80	GR139 GRF139	4P	33			8219	44.39	49	0.90			39	6971	37.65			52	1.10	45	6093	32.91	54	1.25	53	5153	27.83	55	1.40	61	4466	24.12	56	1.70	67	4073	22.00	56	1.85	GR139 GRF139			4P	77			3525	19.04	57			2.20	88	3111	16.80	57	2.40	101	2687	14.51	57	2.80	115	2376	12.83	55	3.20	136	1998	10.79	54	3.80	194	1405	7.59	51	3.50	230	1181	6.38	49	4.10	73	3716	20.07	17	1.10	GR109 GRF109			4P	81			3372	18.21	17			1.20	94	2898	15.65	16	1.40	108	2529	13.66			16	1.60	127			2146	11.59	15	1.90	145	1876	10.13	15	2.20	172	1585	8.56	15	2.60	187	1455	7.86	15	1.95	221	1233	6.66	14	2.30	253	1078	5.82	14	2.60	299	911	4.92	13	3.00																																																																																																																																																																																												
13.8	24305	107.16	128	1.50			16.2	20785	91.64	128	1.70			19.5	17229	75.96	128	1.95	22.1	15201	67.02	128	2.40	25.8	13001	57.32	128	2.70	31.2	10776	47.51	128	3.15	36.3	9236	40.72	128	3.85	44.6	7526	33.18	128			4.50	16	21137	93.19	114			0.80	GR169 GRF169	4P	18	18805			82.91			114	0.90	20	16716	73.70			114	1.00	22	15287	67.40	114	1.10	25	13303	58.65			114	1.30	29		11740	51.76		114	1.45	33	10177	44.87	114	1.65	37	9054	39.92	114	1.90	43	7805	34.41	114	2.20	53	6342	27.96	114	2.70	48	6965	30.71	114	1.35	GR169 GRF169	4P	60	5573	24.57					114	2.40	68					4956	21.85	114	2.50			78	4316		19.03	114		3.50	87	3851	16.98	114			3.70	14	19902	107.49	114	0.85	GR169 GRF169	4P	16	17254	93.19			114	1.00	16			17254	93.19	114	1.00			18	15351	82.91			114	1.10	20	13646	73.70	114	1.25	22	12479	67.40	114	1.35	25	10859	58.65	114	1.55	28	9584	51.76	114	1.80	33	8308	44.87	114	2.10	37	7391	39.92	114	2.30	43	6371	34.41	114	2.70	53	5177	27.96	114	3.30	62	4390	23.71			114	3.90	18			15455	83.47	31	0.80	GR149 GRF149					4P	20					13348			72.09	57	0.95	22			12403	66.99	59			1.00	24	11311	61.09	61	1.10			28	9789	52.87	64	1.25	32	8637	46.65	66	1.45	36	7460	40.29	67	1.65	41	6599	35.64	68	1.85	49	5545	29.95	69	2.20	61	4479	24.19	69	2.50	72	3785	20.44	70	3.00	GR149 GRF149	4P	81			3340			18.04	70			3.00	94		2896	15.64		70	4.30	29	9417	50.86	34	0.80	GR139 GRF139	4P	33	8219	44.39			49			0.90	39	6971	37.65			52	1.10	45			6093	32.91	54	1.25	53	5153	27.83	55	1.40	61	4466	24.12	56	1.70	67	4073	22.00	56	1.85	GR139 GRF139	4P	77					3525			19.04	57	2.20			88	3111	16.80	57	2.40	101	2687	14.51	57	2.80	115	2376	12.83	55	3.20	136	1998	10.79	54	3.80	194	1405	7.59	51	3.50	230	1181	6.38	49	4.10	73	3716	20.07	17	1.10	GR109 GRF109					4P			81	3372	18.21			17	1.20	94	2898	15.65	16	1.40	108	2529			13.66	16	1.60	127	2146	11.59	15	1.90	145	1876	10.13	15	2.20	172	1585	8.56	15	2.60	187	1455	7.86	15	1.95	221	1233	6.66	14	2.30	253	1078	5.82	14	2.60	299	911	4.92	13	3.00																																																																																																																																																																																													
16.2	20785	91.64	128	1.70			19.5	17229	75.96	128	1.95			22.1	15201	67.02	128	2.40	25.8	13001	57.32	128	2.70	31.2	10776	47.51	128	3.15	36.3	9236	40.72	128	3.85	44.6	7526	33.18	128	4.50	16	21137	93.19	114			0.80	GR169 GRF169	4P	18	18805			82.91			114	0.90	20	16716	73.70			114	1.00	22	15287	67.40			114	1.10	25	13303	58.65	114	1.30	29	11740	51.76			114	1.45	33		10177	44.87		114	1.65	37	9054	39.92	114	1.90	43	7805	34.41	114	2.20	53	6342	27.96	114	2.70	48	6965	30.71	114	1.35	GR169 GRF169	4P	60	5573	24.57			114	2.40	68					4956	21.85	114					2.50	78	4316	19.03	114	3.50	87	3851		16.98	114		3.70	14	19902	107.49	114	0.85	GR169 GRF169	4P	16	17254	93.19	114	1.00			16	17254	93.19			114	1.00	18			15351	82.91	114	1.10			20	13646	73.70			114	1.25	22	12479	67.40	114	1.35	25	10859	58.65	114	1.55	28	9584	51.76	114	1.80	33	8308	44.87	114	2.10	37	7391	39.92	114	2.30	43	6371	34.41	114	2.70	53	5177	27.96	114	3.30	62	4390	23.71	114	3.90	18	15455	83.47			31	0.80	GR149 GRF149			4P	20	13348	72.09							57					0.95			22	12403	66.99	59			1.00	24	11311			61.09	61	1.10	28	9789	52.87	64	1.25	32	8637	46.65	66	1.45	36	7460	40.29	67	1.65	41	6599	35.64	68	1.85	49	5545	29.95	69	2.20	61	4479	24.19	69	2.50	72	3785	20.44	70	3.00	GR149 GRF149	4P	81	3340	18.04			70			3.00			94	2896	15.64	70	4.30	29	9417	50.86	34	0.80	GR139 GRF139	4P	33	8219	44.39	49	0.90			39	6971	37.65			52			1.10	45	6093	32.91			54	1.25	53			5153	27.83	55	1.40	61	4466	24.12	56	1.70	67	4073	22.00	56	1.85	GR139 GRF139	4P	77	3525	19.04			57					2.20			88	3111	16.80			57	2.40	101	2687	14.51	57	2.80	115	2376	12.83	55	3.20	136	1998	10.79	54	3.80	194	1405	7.59	51	3.50	230	1181	6.38	49	4.10	73	3716	20.07	17	1.10	GR109 GRF109	4P	81									3372	18.21	17			1.20	94	2898	15.65	16	1.40	108	2529	13.66	16	1.60	127	2146	11.59	15	1.90	145	1876	10.13	15	2.20	172	1585	8.56	15	2.60	187	1455	7.86	15	1.95	221	1233	6.66	14	2.30	253	1078	5.82	14	2.60	299	911	4.92	13	3.00																																																																																																																																																																																																
19.5	17229	75.96	128	1.95			22.1	15201	67.02	128	2.40			25.8	13001	57.32	128	2.70	31.2	10776	47.51	128	3.15	36.3	9236	40.72	128	3.85	44.6	7526	33.18	128	4.50	16	21137	93.19	114	0.80	GR169 GRF169	4P	18	18805			82.91			114	0.90	20	16716	73.70			114	1.00	22	15287	67.40			114	1.10	25	13303	58.65			114	1.30	29	11740	51.76	114	1.45	33	10177	44.87			114	1.65	37		9054	39.92		114	1.90	43	7805	34.41	114	2.20	53	6342	27.96	114	2.70	48	6965	30.71	114	1.35	GR169 GRF169	4P	60	5573	24.57			114	2.40	68			4956	21.85	114					2.50	78	4316		19.03	114		3.50	87	3851	16.98	114	3.70	14	19902	107.49	114	0.85	GR169 GRF169	4P	16	17254	93.19	114	1.00			16	17254	93.19	114	1.00			18	15351	82.91			114	1.10	20			13646	73.70	114	1.25			22	12479	67.40			114	1.35	25	10859	58.65	114	1.55	28	9584	51.76	114	1.80	33	8308	44.87	114	2.10	37	7391	39.92	114	2.30	43	6371	34.41	114	2.70	53	5177	27.96	114	3.30	62	4390	23.71	114	3.90	18	15455	83.47	31	0.80	GR149 GRF149	4P	20			13348	72.09					57	0.95	22							12403					66.99			59	1.00	24	11311			61.09	61	1.10			28	9789	52.87	64	1.25	32	8637	46.65	66	1.45	36	7460	40.29	67	1.65	41	6599	35.64	68	1.85	49	5545	29.95	69	2.20	61	4479	24.19	69	2.50	72	3785	20.44	70	3.00	GR149 GRF149	4P	81			3340	18.04	70			3.00			94	2896	15.64	70	4.30	29	9417	50.86	34	0.80	GR139 GRF139	4P	33			8219	44.39	49	0.90	39			6971	37.65	52			1.10			45	6093	32.91	54			1.25	53	5153	27.83	55	1.40	61	4466	24.12	56	1.70	67	4073	22.00	56	1.85	GR139 GRF139	4P	77			3525	19.04	57			2.20					88			3111	16.80	57			2.40	101	2687	14.51	57	2.80	115	2376	12.83	55	3.20	136	1998	10.79	54	3.80	194	1405	7.59	51	3.50	230	1181	6.38	49	4.10	73	3716	20.07	17	1.10	GR109 GRF109			4P									81	3372	18.21			17	1.20	94	2898	15.65	16	1.40	108	2529	13.66	16	1.60	127	2146	11.59	15	1.90	145	1876	10.13	15	2.20	172	1585	8.56	15	2.60	187	1455	7.86	15	1.95	221	1233	6.66	14	2.30	253	1078	5.82	14	2.60	299	911	4.92	13	3.00																																																																																																																																																																																															
22.1	15201	67.02	128	2.40			25.8	13001	57.32	128	2.70			31.2	10776	47.51	128	3.15	36.3	9236	40.72	128	3.85	44.6	7526	33.18	128	4.50	16	21137	93.19	114	0.80	GR169 GRF169	4P	18	18805	82.91			114	0.90	20	16716	73.70			114	1.00	22	15287	67.40			114	1.10	25	13303	58.65			114	1.30	29	11740	51.76			114	1.45	33	10177	44.87	114	1.65	37	9054	39.92			114	1.90	43		7805	34.41		114	2.20	53	6342	27.96	114	2.70	48	6965	30.71	114	1.35	GR169 GRF169	4P	60	5573	24.57			114	2.40	68			4956	21.85	114			2.50	78	4316		19.03	114		3.50	87	3851	16.98	114	3.70	14	19902	107.49	114	0.85	GR169 GRF169	4P	16	17254	93.19	114	1.00			16	17254	93.19	114	1.00			18	15351	82.91	114	1.10			20	13646	73.70			114	1.25	22			12479	67.40	114	1.35			25	10859	58.65			114	1.55	28	9584	51.76	114	1.80	33	8308	44.87	114	2.10	37	7391	39.92	114	2.30	43	6371	34.41	114	2.70	53	5177	27.96	114	3.30	62	4390	23.71	114	3.90	18	15455	83.47	31	0.80	GR149 GRF149	4P	20	13348	72.09			57			0.95	22					12403	66.99	59							1.00			24	11311	61.09			61	1.10	28	9789			52.87	64	1.25			32	8637	46.65	66	1.45	36	7460	40.29	67	1.65	41	6599	35.64	68	1.85	49	5545	29.95	69	2.20	61	4479	24.19	69	2.50	72	3785	20.44	70	3.00	GR149 GRF149	4P	81	3340	18.04			70			3.00	94	2896			15.64	70	4.30	29	9417	50.86	34	0.80	GR139 GRF139	4P	33	8219	44.39			49			0.90	39	6971	37.65	52			1.10	45	6093			32.91			54	1.25	53	5153	27.83	55	1.40	61	4466	24.12	56	1.70	67	4073	22.00	56	1.85	GR139 GRF139	4P	77	3525	19.04			57			2.20	88	3111			16.80					57			2.40	101	2687			14.51	57	2.80	115	2376	12.83	55	3.20	136	1998	10.79	54	3.80	194	1405	7.59	51	3.50	230	1181	6.38	49	4.10	73	3716	20.07	17	1.10	GR109 GRF109	4P	81													3372	18.21	17			1.20	94	2898	15.65	16	1.40	108	2529	13.66	16	1.60	127	2146	11.59	15	1.90	145	1876	10.13	15	2.20	172	1585	8.56	15	2.60	187	1455	7.86	15	1.95	221	1233	6.66	14	2.30	253	1078	5.82	14	2.60	299	911	4.92	13	3.00																																																																																																																																																																																																
25.8	13001	57.32	128	2.70			31.2	10776	47.51	128	3.15			36.3	9236	40.72	128	3.85	44.6	7526	33.18	128	4.50	16	21137	93.19	114	0.80	GR169 GRF169	4P	18	18805	82.91			114	0.90	20			16716	73.70	114	1.00	22			15287	67.40	114	1.10	25			13303	58.65	114	1.30	29			11740	51.76	114	1.45	33			10177	44.87	114	1.65	37	9054	39.92	114	1.90	43			7805	34.41	114		2.20	53		6342	27.96	114	2.70	48	6965	30.71	114	1.35	GR169 GRF169	4P	60			5573	24.57	114			2.40	68	4956			21.85	114	2.50			78	4316	19.03	114	3.50	87	3851	16.98	114	3.70	14	19902	107.49	114	0.85	GR169 GRF169	4P	16			17254	93.19	114	1.00	16			17254	93.19	114	1.00	18			15351	82.91	114	1.10	20			13646	73.70	114			1.25	22	12479			67.40	114	1.35	25			10859	58.65	114			1.55	28	9584	51.76	114	1.80	33	8308	44.87	114	2.10	37	7391	39.92	114	2.30	43	6371	34.41	114	2.70	53	5177	27.96	114	3.30	62	4390	23.71	114	3.90	18	15455	83.47	31	0.80	GR149 GRF149			4P	20	13348			72.09			57	0.95					22	12403	66.99			59		1.00		24			11311	61.09	61			1.10	28	9789	52.87			64	1.25	32	8637	46.65	66	1.45	36	7460	40.29	67	1.65	41	6599	35.64	68	1.85	49	5545	29.95	69	2.20	61	4479	24.19	69	2.50	72	3785	20.44	70	3.00	GR149 GRF149	4P	81			3340	18.04	70			3.00			94	2896	15.64	70	4.30	29	9417	50.86	34	0.80	GR139 GRF139	4P	33			8219	44.39	49			0.90			39	6971	37.65	52	1.10			45	6093	32.91			54	1.25	53	5153	27.83	55	1.40	61	4466	24.12	56	1.70	67	4073	22.00	56	1.85	GR139 GRF139	4P	77			3525	19.04	57			2.20			88	3111	16.80			57					2.40			101	2687	14.51	57	2.80	115	2376	12.83	55	3.20	136	1998	10.79	54	3.80	194	1405	7.59	51	3.50	230	1181	6.38	49	4.10	73	3716	20.07	17	1.10	GR109 GRF109	4P	81			3372													18.21	17	1.20			94	2898	15.65	16	1.40	108	2529	13.66	16	1.60	127	2146	11.59	15	1.90	145	1876	10.13	15	2.20	172	1585	8.56	15	2.60	187	1455	7.86	15	1.95	221	1233	6.66	14	2.30	253	1078	5.82	14	2.60	299	911	4.92	13	3.00																																																																																																																																																																																																	
31.2	10776	47.51	128	3.15			36.3	9236	40.72	128	3.85			44.6	7526	33.18	128	4.50	16	21137	93.19	114	0.80	GR169 GRF169	4P	18	18805	82.91			114	0.90	20			16716	73.70	114			1.00	22	15287	67.40	114			1.10	25	13303	58.65	114			1.30	29	11740	51.76	114			1.45	33	10177	44.87	114			1.65	37	9054	39.92	114	1.90	43	7805	34.41	114			2.20	53	6342		27.96	114		2.70	48	6965	30.71	114	1.35	GR169 GRF169	4P	60			5573			24.57	114	2.40			68	4956	21.85			114	2.50	78	4316	19.03	114	3.50	87	3851	16.98	114	3.70	14	19902	107.49	114	0.85	GR169 GRF169	4P	16			17254			93.19	114	1.00	16	17254			93.19	114	1.00	18	15351			82.91	114	1.10	20	13646			73.70	114	1.25			22	12479	67.40			114	1.35	25	10859			58.65	114	1.55			28	9584	51.76	114	1.80	33	8308	44.87	114	2.10	37	7391	39.92	114	2.30	43	6371	34.41	114	2.70	53	5177	27.96	114	3.30	62	4390	23.71	114	3.90	18	15455	83.47	31	0.80	GR149 GRF149					4P	20			13348			72.09	57					0.95	22	12403		66.99	59	1.00	24		11311			61.09	61	1.10			28	9789	52.87	64	1.25	32	8637	46.65	66	1.45	36	7460	40.29	67	1.65	41	6599	35.64	68	1.85	49	5545	29.95	69	2.20	61	4479	24.19	69	2.50	72	3785	20.44	70	3.00	GR149 GRF149	4P	81			3340			18.04	70	3.00			94	2896	15.64	70	4.30	29	9417	50.86	34	0.80	GR139 GRF139	4P	33			8219			44.39	49	0.90			39			6971	37.65	52	1.10	45			6093	32.91	54	1.25	53	5153	27.83	55	1.40	61	4466	24.12	56	1.70	67	4073	22.00	56	1.85	GR139 GRF139	4P	77			3525			19.04	57	2.20			88			3111	16.80	57			2.40					101	2687	14.51	57	2.80	115	2376	12.83	55	3.20	136	1998	10.79	54	3.80	194	1405	7.59	51	3.50	230	1181	6.38	49	4.10	73	3716	20.07	17	1.10	GR109 GRF109	4P	81			3372			18.21													17	1.20	94			2898	15.65	16	1.40	108	2529	13.66	16	1.60	127	2146	11.59	15	1.90	145	1876	10.13	15	2.20	172	1585	8.56	15	2.60	187	1455	7.86	15	1.95	221	1233	6.66	14	2.30	253	1078	5.82	14	2.60	299	911	4.92	13	3.00																																																																																																																																																																																																		
36.3	9236	40.72	128	3.85			44.6	7526	33.18	128	4.50	16	21137	93.19	114	0.80	GR169 GRF169	4P	18	18805	82.91	114	0.90			20	16716	73.70			114	1.00	22			15287	67.40	114			1.10	25	13303	58.65	114			1.30	29	11740	51.76	114			1.45	33	10177	44.87	114			1.65	37	9054	39.92	114			1.90	43	7805	34.41	114	2.20	53	6342	27.96	114			2.70	48	6965	30.71	114	1.35	GR169 GRF169	4P	60	5573	24.57	114	2.40			68			4956			21.85	114	2.50			78	4316	19.03	114	3.50	87	3851	16.98	114	3.70	14	19902	107.49	114	0.85	GR169 GRF169	4P	16	17254	93.19	114	1.00			16			17254			93.19	114	1.00	18	15351			82.91	114	1.10	20	13646			73.70	114	1.25	22	12479			67.40	114	1.35			25	10859	58.65			114	1.55	28	9584			51.76	114	1.80			33	8308	44.87	114	2.10	37	7391	39.92	114	2.30	43	6371	34.41	114	2.70	53	5177	27.96	114	3.30	62	4390	23.71	114	3.90	18	15455	83.47	31	0.80	GR149 GRF149	4P	20	13348	72.09							57			0.95			22	12403		66.99	59		1.00	24	11311		61.09	61	1.10	28		9789			52.87	64	1.25	32	8637	46.65	66	1.45	36	7460	40.29	67	1.65	41	6599	35.64	68	1.85	49	5545	29.95	69	2.20	61	4479	24.19	69	2.50	72	3785	20.44	70	3.00	GR149 GRF149	4P	81	3340	18.04	70	3.00			94			2896			15.64	70	4.30	29	9417	50.86	34	0.80	GR139 GRF139	4P	33	8219	44.39	49	0.90			39			6971			37.65	52	1.10			45			6093	32.91	54	1.25	53	5153	27.83	55	1.40	61	4466	24.12	56	1.70	67	4073	22.00	56	1.85	GR139 GRF139	4P	77	3525	19.04	57	2.20			88			3111			16.80	57	2.40			101			2687	14.51	57			2.80		115	2376		12.83	55	3.20	136	1998	10.79	54	3.80	194	1405	7.59	51	3.50	230	1181	6.38	49	4.10	73	3716	20.07	17	1.10	GR109 GRF109	4P	81	3372	18.21	17	1.20			94			2898			15.65													16	1.40	108			2529	13.66	16	1.60	127	2146	11.59	15	1.90	145	1876	10.13	15	2.20	172	1585	8.56	15	2.60	187	1455	7.86	15	1.95	221	1233	6.66	14	2.30	253	1078	5.82	14	2.60	299	911	4.92	13	3.00																																																																																																																																																																																																							
44.6	7526	33.18	128	4.50	16	21137	93.19	114	0.80	GR169 GRF169	4P	18	18805	82.91	114	0.90			20	16716	73.70	114	1.00			22	15287	67.40			114	1.10	25			13303	58.65	114			1.30	29	11740	51.76	114			1.45	33	10177	44.87	114			1.65	37	9054	39.92	114			1.90	43	7805	34.41	114			2.20	53	6342	27.96	114	2.70	48	6965	30.71	114	1.35	GR169 GRF169	4P	60	5573	24.57	114	2.40			68	4956	21.85	114	2.50			78			4316			19.03	114	3.50	87	3851	16.98	114	3.70	14	19902	107.49	114	0.85	GR169 GRF169	4P	16	17254	93.19	114	1.00			16	17254	93.19	114	1.00			18			15351			82.91	114	1.10	20	13646			73.70	114	1.25	22	12479			67.40	114	1.35	25	10859			58.65	114	1.55			28	9584	51.76			114	1.80	33	8308			44.87	114	2.10			37	7391	39.92	114	2.30	43	6371	34.41	114	2.70	53	5177	27.96	114	3.30	62	4390	23.71	114	3.90	18	15455	83.47	31	0.80	GR149 GRF149	4P	20	13348	72.09			57	0.95	22							12403			66.99	59	1.00	24	11311		61.09	61		1.10	28	9789		52.87	64	1.25	32		8637	46.65	66	1.45	36	7460	40.29	67	1.65	41	6599	35.64	68	1.85	49	5545	29.95	69	2.20	61	4479	24.19	69	2.50	72	3785	20.44	70	3.00	GR149 GRF149	4P	81	3340	18.04	70	3.00			94	2896	15.64	70	4.30			29			9417	50.86	34	0.80	GR139 GRF139	4P	33	8219	44.39	49	0.90			39	6971	37.65	52	1.10			45			6093			32.91	54	1.25			53	5153	27.83	55	1.40	61	4466	24.12	56	1.70	67	4073	22.00	56	1.85	GR139 GRF139	4P	77	3525	19.04	57	2.20			88	3111	16.80	57	2.40			101			2687			14.51	57	2.80			115			2376	12.83	55			3.20	136	1998	10.79	54	3.80	194	1405	7.59	51	3.50	230	1181	6.38	49	4.10	73	3716	20.07	17	1.10	GR109 GRF109	4P	81	3372	18.21	17	1.20			94	2898	15.65	16	1.40			108			2529			13.66													16	1.60	127	2146	11.59	15	1.90	145	1876	10.13	15	2.20	172	1585	8.56	15	2.60	187	1455	7.86	15	1.95	221	1233	6.66	14	2.30	253	1078	5.82	14	2.60	299	911	4.92	13	3.00																																																																																																																																																																																																														
16	21137	93.19	114	0.80	GR169 GRF169	4P																																																																																																																																																																																																																																																																																																																																																																																																																																																																																																																																																																																																																																																																																						
18	18805	82.91	114	0.90			20	16716	73.70			114	1.00	22	15287	67.40			114	1.10	25	13303	58.65			114	1.30	29			11740	51.76	114			1.45	33	10177			44.87	114	1.65	37	9054			39.92	114	1.90	43	7805			34.41	114	2.20	53	6342	27.96	114	2.70	48	6965	30.71	114	1.35	GR169 GRF169	4P	60	5573	24.57	114	2.40	68	4956	21.85	114	2.50			78	4316	19.03	114	3.50			87	3851	16.98	114	3.70			14	19902	107.49	114	0.85	GR169 GRF169	4P	16	17254	93.19	114	1.00	16	17254	93.19	114	1.00	18	15351			82.91	114	1.10	20	13646			73.70	114	1.25	22	12479			67.40			114			1.35	25	10859	58.65	114			1.55	28	9584	51.76	114			1.80	33	8308	44.87	114			2.10	37	7391			39.92	114	2.30			43	6371	34.41	114			2.70	53	5177			27.96	114	3.30	62	4390	23.71	114	3.90	18	15455	83.47	31	0.80	GR149 GRF149	4P	20	13348	72.09	57	0.95	22	12403	66.99	59	1.00			24	11311	61.09			61	1.10	28							9789			52.87	64	1.25	32	8637	46.65	66	1.45	36	7460	40.29	67	1.65	41	6599	35.64	68	1.85	49	5545	29.95	69	2.20	61	4479	24.19	69	2.50	72	3785	20.44	70	3.00	GR149 GRF149	4P	81	3340	18.04	70	3.00	94	2896	15.64	70	4.30	29	9417			50.86	34	0.80	GR139 GRF139	4P			33	8219	44.39	49	0.90	39	6971	37.65	52	1.10	45	6093	32.91	54			1.25	53	5153	27.83	55			1.40	61	4466	24.12	56			1.70			67	4073	22.00	56	1.85	GR139 GRF139	4P	77	3525	19.04	57	2.20	88	3111	16.80	57	2.40	101	2687	14.51	57	2.80	115			2376	12.83	55	3.20	136			1998	10.79	54	3.80	194			1405			7.59			51	3.50	230			1181	6.38	49	4.10	73	3716	20.07	17	1.10	GR109 GRF109	4P	81	3372	18.21	17	1.20	94	2898	15.65	16	1.40	108	2529	13.66	16	1.60	127	2146	11.59			15	1.90	145	1876	10.13			15	2.20	172	1585	8.56			15			2.60			187							1455	7.86			15	1.95	221	1233	6.66	14	2.30	253	1078	5.82	14	2.60	299	911	4.92	13	3.00																																																																																																																																																																																																																																				
20	16716	73.70	114	1.00			22	15287	67.40			114	1.10	25	13303	58.65			114	1.30	29	11740	51.76			114	1.45	33			10177	44.87	114			1.65	37	9054			39.92	114	1.90	43	7805			34.41	114	2.20	53	6342	27.96	114	2.70	48	6965	30.71	114	1.35	GR169 GRF169	4P	60	5573	24.57	114	2.40			68	4956	21.85	114	2.50	78	4316	19.03	114	3.50			87	3851	16.98	114	3.70			14	19902	107.49	114	0.85	GR169 GRF169	4P	16	17254	93.19	114	1.00			16	17254	93.19	114	1.00	18	15351	82.91	114	1.10	20	13646			73.70	114	1.25	22	12479			67.40	114	1.35	25	10859			58.65			114			1.55	28	9584	51.76	114			1.80	33	8308	44.87	114			2.10	37	7391	39.92	114			2.30	43	6371			34.41	114	2.70			53	5177	27.96	114			3.30	62	4390	23.71	114	3.90	18	15455	83.47	31	0.80	GR149 GRF149	4P	20	13348	72.09	57	0.95			22	12403	66.99	59	1.00	24	11311	61.09	61	1.10			28	9789	52.87			64	1.25	32							8637	46.65	66	1.45	36	7460	40.29	67	1.65	41	6599	35.64	68	1.85	49	5545	29.95	69	2.20	61	4479	24.19	69	2.50	72	3785	20.44	70	3.00	GR149 GRF149	4P	81	3340	18.04	70	3.00			94	2896	15.64	70	4.30	29	9417	50.86	34	0.80	GR139 GRF139	4P			33	8219	44.39			49	0.90	39	6971	37.65	52	1.10	45	6093	32.91	54	1.25	53	5153	27.83	55			1.40	61	4466	24.12	56			1.70	67	4073	22.00	56			1.85	GR139 GRF139	4P	77	3525	19.04	57	2.20			88	3111	16.80	57	2.40	101	2687	14.51	57	2.80	115	2376	12.83	55	3.20	136			1998	10.79	54	3.80	194			1405	7.59	51	3.50	230			1181			6.38			49	4.10	73	3716	20.07	17	1.10	GR109 GRF109	4P	81	3372	18.21	17	1.20			94	2898	15.65	16	1.40	108	2529	13.66	16	1.60	127	2146	11.59	15	1.90	145	1876	10.13			15	2.20	172	1585	8.56			15	2.60	187	1455	7.86			15			1.95			221						1233	6.66	14	2.30		253	1078	5.82	14	2.60	299	911	4.92	13	3.00																																																																																																																																																																																																																																											
22	15287	67.40	114	1.10			25	13303	58.65			114	1.30	29	11740	51.76			114	1.45	33	10177	44.87			114	1.65	37			9054	39.92	114			1.90	43	7805			34.41	114	2.20	53	6342	27.96	114	2.70	48	6965	30.71	114	1.35	GR169 GRF169	4P	60	5573	24.57	114	2.40			68	4956	21.85	114	2.50			78	4316	19.03	114	3.50	87	3851	16.98	114	3.70			14	19902	107.49	114	0.85	GR169 GRF169	4P	16	17254	93.19	114	1.00			16	17254	93.19	114	1.00			18	15351	82.91	114	1.10	20	13646	73.70	114	1.25	22	12479			67.40	114	1.35	25	10859			58.65	114	1.55	28	9584			51.76			114			1.80	33	8308	44.87	114			2.10	37	7391	39.92	114			2.30	43	6371	34.41	114			2.70	53	5177			27.96	114	3.30			62	4390	23.71	114	3.90	18	15455	83.47	31	0.80	GR149 GRF149	4P	20	13348	72.09	57	0.95			22	12403	66.99	59	1.00			24	11311	61.09	61	1.10	28	9789	52.87	64	1.25			32	8637	46.65			66	1.45	36			7460	40.29			67	1.65	41	6599	35.64	68	1.85	49	5545	29.95	69	2.20	61	4479	24.19	69	2.50	72	3785	20.44	70	3.00	GR149 GRF149	4P	81	3340	18.04	70	3.00			94	2896	15.64	70	4.30			29	9417	50.86	34	0.80	GR139 GRF139	4P	33	8219	44.39			49	0.90	39	6971	37.65			52	1.10	45	6093	32.91	54	1.25	53	5153	27.83	55	1.40	61	4466	24.12	56			1.70	67	4073	22.00	56			1.85	GR139 GRF139	4P	77	3525	19.04	57	2.20			88	3111	16.80	57	2.40			101	2687	14.51	57	2.80	115	2376	12.83	55	3.20	136	1998	10.79	54	3.80	194			1405	7.59	51	3.50	230			1181	6.38	49	4.10	73			3716			20.07	17	1.10	GR109 GRF109	4P	81	3372	18.21	17	1.20			94	2898	15.65	16	1.40			108	2529	13.66	16	1.60	127	2146	11.59	15	1.90	145	1876	10.13	15	2.20	172	1585	8.56			15	2.60	187	1455	7.86			15	1.95	221	1233	6.66			14			2.30			253					1078	5.82	14	2.60	299	911	4.92	13	3.00																																																																																																																																																																																																																																																		
25	13303	58.65	114	1.30			29	11740	51.76			114	1.45	33	10177	44.87			114	1.65	37	9054	39.92			114	1.90	43			7805	34.41	114			2.20	53	6342	27.96	114	2.70	48	6965	30.71	114	1.35	GR169 GRF169	4P	60	5573	24.57	114	2.40			68	4956	21.85	114	2.50			78	4316	19.03	114	3.50			87	3851	16.98	114	3.70	14	19902	107.49	114	0.85	GR169 GRF169	4P	16	17254	93.19	114	1.00			16	17254	93.19	114	1.00			18	15351	82.91	114	1.10			20	13646	73.70	114	1.25	22	12479	67.40	114	1.35	25	10859			58.65	114	1.55	28	9584			51.76	114	1.80	33	8308			44.87			114			2.10	37	7391	39.92	114			2.30	43	6371	34.41	114			2.70	53	5177	27.96	114			3.30	62	4390			23.71	114	3.90	18	15455	83.47	31	0.80	GR149 GRF149	4P	20	13348	72.09	57	0.95			22	12403	66.99	59	1.00			24	11311	61.09	61	1.10			28	9789	52.87	64	1.25	32	8637	46.65	66	1.45			36	7460	40.29			67	1.65	41		6599	35.64	68	1.85		49	5545	29.95	69	2.20	61	4479	24.19	69	2.50	72	3785	20.44	70	3.00	GR149 GRF149	4P	81	3340	18.04	70	3.00			94	2896	15.64	70	4.30			29	9417	50.86	34	0.80			GR139 GRF139	4P	33	8219	44.39			49	0.90	39			6971	37.65	52	1.10	45			6093	32.91	54	1.25	53	5153	27.83	55	1.40	61	4466	24.12	56	1.70	67	4073			22.00	56	1.85	GR139 GRF139	4P	77	3525	19.04			57	2.20	88	3111	16.80			57	2.40	101	2687	14.51			57	2.80	115	2376	12.83	55	3.20	136	1998	10.79	54	3.80	194	1405	7.59	51			3.50	230	1181	6.38	49			4.10	73	3716	20.07	17			1.10	GR109 GRF109	4P	81	3372	18.21			17	1.20	94	2898	15.65			16	1.40	108	2529	13.66			16	1.60	127	2146	11.59	15	1.90	145	1876	10.13	15	2.20	172	1585	8.56	15	2.60	187			1455	7.86	15	1.95	221			1233	6.66	14	2.30	253			1078			5.82			14		2.60	299		911	4.92	13	3.00																																																																																																																																																																																																																																																							
29	11740	51.76	114	1.45			33	10177	44.87			114	1.65	37	9054	39.92			114	1.90	43	7805	34.41			114	2.20	53			6342	27.96	114	2.70	48	6965	30.71	114	1.35	GR169 GRF169	4P	60	5573	24.57	114	2.40			68	4956	21.85	114	2.50			78	4316	19.03	114	3.50			87	3851	16.98	114	3.70			14	19902	107.49	114	0.85	GR169 GRF169	4P	16	17254	93.19			114	1.00	16	17254	93.19			114	1.00	18	15351	82.91			114	1.10	20	13646	73.70			114	1.25	22	12479	67.40	114	1.35	25	10859	58.65	114	1.55			28	9584	51.76	114	1.80			33	8308	44.87	114	2.10			37			7391			39.92	114	2.30	43	6371			34.41	114	2.70	53	5177			27.96	114	3.30	62	4390			23.71	114	3.90	18	15455	83.47	31	0.80	GR149 GRF149	4P	20	13348	72.09			57	0.95	22	12403	66.99			59	1.00	24	11311	61.09			61	1.10	28	9789	52.87			64	1.25	32	8637	46.65	66	1.45	36	7460	40.29			67	1.65	41			6599	35.64	68	1.85	49	5545	29.95	69	2.20	61	4479	24.19	69	2.50	72	3785	20.44	70	3.00	GR149 GRF149	4P	81	3340	18.04			70	3.00	94	2896	15.64			70	4.30	29	9417	50.86			34	0.80	GR139 GRF139	4P	33	8219	44.39			49	0.90	39			6971	37.65	52			1.10	45	6093	32.91	54			1.25	53	5153	27.83	55	1.40	61	4466	24.12	56	1.70	67	4073	22.00	56	1.85	GR139 GRF139	4P	77	3525	19.04			57	2.20	88			3111	16.80	57	2.40	101			2687	14.51	57	2.80	115			2376	12.83	55	3.20	136	1998	10.79	54	3.80	194	1405	7.59	51	3.50	230	1181			6.38	49	4.10	73	3716			20.07	17	1.10	GR109 GRF109	4P	81	3372	18.21			17	1.20	94			2898	15.65	16	1.40	108			2529	13.66	16	1.60	127			2146	11.59	15	1.90	145	1876	10.13	15	2.20	172	1585	8.56	15	2.60	187	1455	7.86	15			1.95	221	1233	6.66	14			2.30	253	1078	5.82	14			2.60			299			911	4.92	13	3.00																																																																																																																																																																																																																																																												
33	10177	44.87	114	1.65			37	9054	39.92			114	1.90	43	7805	34.41			114	2.20	53	6342	27.96			114	2.70	48	6965	30.71	114	1.35	GR169 GRF169	4P	60	5573	24.57	114	2.40			68	4956	21.85	114	2.50			78	4316	19.03	114	3.50			87	3851	16.98	114	3.70			14	19902	107.49	114	0.85	GR169 GRF169	4P	16	17254	93.19	114	1.00			16	17254	93.19			114	1.00	18	15351	82.91			114	1.10	20	13646	73.70			114	1.25	22	12479	67.40			114	1.35	25	10859	58.65	114	1.55	28	9584	51.76	114	1.80			33	8308	44.87	114	2.10			37	7391	39.92	114	2.30			43			6371			34.41	114	2.70	53	5177			27.96	114	3.30	62	4390			23.71	114	3.90	18	15455	83.47	31	0.80	GR149 GRF149	4P	20	13348	72.09	57	0.95			22	12403	66.99			59	1.00	24	11311	61.09			61	1.10	28	9789	52.87			64	1.25	32	8637	46.65			66	1.45	36	7460	40.29	67	1.65	41	6599	35.64			68	1.85	49	5545	29.95	69	2.20	61	4479	24.19	69	2.50	72	3785	20.44	70	3.00	GR149 GRF149	4P	81	3340	18.04	70	3.00			94	2896	15.64			70	4.30	29	9417	50.86			34	0.80	GR139 GRF139	4P	33	8219	44.39	49	0.90			39	6971	37.65			52	1.10	45			6093	32.91	54			1.25	53	5153	27.83	55			1.40	61	4466	24.12	56	1.70	67	4073	22.00	56	1.85	GR139 GRF139	4P	77	3525	19.04			57	2.20	88			3111	16.80	57			2.40	101	2687	14.51	57			2.80	115	2376	12.83	55			3.20	136	1998	10.79	54	3.80	194	1405	7.59	51	3.50	230	1181	6.38	49	4.10			73	3716	20.07	17	1.10	GR109 GRF109	4P	81	3372	18.21			17	1.20	94			2898	15.65	16			1.40	108	2529	13.66	16			1.60	127	2146	11.59	15			1.90	145	1876	10.13	15	2.20	172	1585	8.56	15	2.60	187	1455	7.86	15	1.95	221	1233			6.66	14	2.30	253	1078			5.82	14	2.60	299	911			4.92			13	3.00																																																																																																																																																																																																																																																																	
37	9054	39.92	114	1.90			43	7805	34.41			114	2.20	53	6342	27.96			114	2.70	48	6965	30.71	114	1.35	GR169 GRF169	4P	60	5573	24.57	114	2.40			68	4956	21.85	114	2.50			78	4316	19.03	114	3.50			87	3851	16.98	114	3.70			14	19902	107.49	114	0.85	GR169 GRF169	4P	16	17254	93.19	114	1.00			16	17254	93.19	114	1.00			18	15351	82.91			114	1.10	20	13646	73.70			114	1.25	22	12479	67.40			114	1.35	25	10859	58.65			114	1.55	28	9584	51.76	114	1.80	33	8308	44.87	114	2.10			37	7391	39.92	114	2.30			43	6371	34.41	114	2.70			53			5177			27.96	114	3.30	62	4390			23.71	114	3.90	18	15455	83.47	31	0.80	GR149 GRF149	4P	20	13348	72.09	57	0.95			22	12403	66.99	59	1.00			24	11311	61.09			61	1.10	28	9789	52.87			64	1.25	32	8637	46.65			66	1.45	36	7460	40.29			67	1.65	41	6599	35.64	68	1.85	49	5545	29.95	69	2.20	61	4479	24.19	69	2.50	72	3785	20.44	70	3.00	GR149 GRF149	4P	81	3340	18.04	70	3.00			94	2896	15.64	70	4.30			29	9417	50.86			34	0.80	GR139 GRF139	4P	33	8219	44.39	49	0.90			39	6971	37.65	52	1.10			45	6093	32.91			54	1.25	53			5153	27.83	55			1.40	61	4466	24.12	56	1.70	67	4073	22.00	56	1.85	GR139 GRF139	4P	77	3525	19.04	57	2.20			88	3111	16.80			57	2.40	101			2687	14.51	57			2.80	115	2376	12.83	55			3.20	136	1998	10.79	54			3.80	194	1405	7.59	51	3.50	230	1181	6.38	49	4.10	73	3716	20.07	17	1.10	GR109 GRF109	4P	81	3372	18.21	17	1.20			94	2898	15.65			16	1.40	108			2529	13.66	16			1.60	127	2146	11.59	15			1.90	145	1876	10.13	15			2.20	172	1585	8.56	15	2.60	187	1455	7.86	15	1.95	221	1233	6.66	14	2.30	253	1078			5.82	14	2.60	299	911			4.92	13	3.00																																																																																																																																																																																																																																																																										
43	7805	34.41	114	2.20			53	6342	27.96			114	2.70	48	6965	30.71	114	1.35	GR169 GRF169	4P	60	5573	24.57	114	2.40			68	4956	21.85	114	2.50			78	4316	19.03	114	3.50			87	3851	16.98	114	3.70			14	19902	107.49	114	0.85	GR169 GRF169	4P	16	17254	93.19	114	1.00			16	17254	93.19	114	1.00			18	15351	82.91	114	1.10			20	13646	73.70			114	1.25	22	12479	67.40			114	1.35	25	10859	58.65			114	1.55	28	9584	51.76			114	1.80	33	8308	44.87	114	2.10	37	7391	39.92	114	2.30			43	6371	34.41	114	2.70			53	5177	27.96	114	3.30			62			4390			23.71	114	3.90	18	15455	83.47	31	0.80	GR149 GRF149	4P	20	13348	72.09	57	0.95			22	12403	66.99	59	1.00			24	11311	61.09	61	1.10			28	9789	52.87			64	1.25	32	8637	46.65			66	1.45	36	7460	40.29			67	1.65	41	6599	35.64			68	1.85	49	5545	29.95	69	2.20	61	4479	24.19	69	2.50	72	3785	20.44	70	3.00	GR149 GRF149	4P	81	3340	18.04			70	3.00	94	2896	15.64			70	4.30	29	9417	50.86			34	0.80	GR139 GRF139	4P	33	8219	44.39			49	0.90	39	6971	37.65			52	1.10	45	6093	32.91			54	1.25	53			5153	27.83	55			1.40	61	4466	24.12	56	1.70	67	4073	22.00	56	1.85	GR139 GRF139	4P	77	3525	19.04			57	2.20	88	3111	16.80			57	2.40	101			2687	14.51	57			2.80	115	2376			12.83	55	3.20	136	1998			10.79	54	3.80	194	1405			7.59	51	3.50	230	1181	6.38	49	4.10	73	3716	20.07	17	1.10	GR109 GRF109	4P	81			3372	18.21	17	1.20	94			2898	15.65	16			1.40	108	2529			13.66	16	1.60			127	2146	11.59	15	1.90			145	1876	10.13	15	2.20			172	1585	8.56	15	2.60	187	1455	7.86	15	1.95	221	1233	6.66	14	2.30	253	1078	5.82			14	2.60	299	911	4.92			13	3.00																																																																																																																																																																																																																																																																											
53	6342	27.96	114	2.70			48	6965	30.71	114	1.35	GR169 GRF169	4P	60	5573	24.57	114	2.40			68	4956	21.85	114	2.50			78	4316	19.03	114	3.50			87	3851	16.98	114	3.70			14	19902	107.49	114	0.85	GR169 GRF169	4P	16	17254	93.19	114	1.00			16	17254	93.19	114	1.00			18	15351	82.91	114	1.10			20	13646	73.70	114	1.25			22	12479	67.40			114	1.35	25	10859	58.65			114	1.55	28	9584	51.76			114	1.80	33	8308	44.87			114	2.10	37	7391	39.92	114	2.30	43	6371	34.41	114	2.70			53	5177	27.96	114	3.30			62	4390	23.71	114	3.90			18			15455	83.47	31	0.80	GR149 GRF149	4P	20	13348	72.09	57	0.95			22	12403	66.99	59	1.00			24	11311	61.09	61	1.10			28	9789	52.87	64	1.25			32	8637	46.65			66	1.45	36	7460	40.29			67	1.65	41	6599	35.64			68	1.85	49	5545	29.95	69	2.20	61	4479	24.19	69	2.50	72	3785	20.44	70	3.00	GR149 GRF149	4P	81	3340	18.04	70	3.00			94	2896	15.64			70	4.30	29	9417	50.86			34	0.80	GR139 GRF139	4P	33	8219	44.39	49	0.90			39	6971	37.65			52	1.10	45	6093	32.91			54	1.25	53	5153	27.83			55	1.40	61			4466	24.12	56	1.70	67	4073	22.00	56	1.85	GR139 GRF139	4P	77	3525	19.04	57	2.20			88	3111	16.80			57	2.40	101	2687	14.51			57	2.80	115			2376	12.83	55			3.20	136	1998			10.79	54	3.80	194	1405			7.59	51	3.50	230	1181	6.38	49	4.10	73	3716	20.07	17	1.10	GR109 GRF109	4P	81	3372	18.21	17	1.20			94			2898	15.65	16	1.40	108			2529	13.66	16			1.60	127	2146			11.59	15	1.90			145	1876	10.13	15	2.20			172	1585	8.56	15	2.60			187	1455	7.86	15	1.95	221	1233	6.66	14	2.30	253	1078	5.82	14	2.60	299	911	4.92			13	3.00																																																																																																																																																																																																																																																																																		
48	6965	30.71	114	1.35	GR169 GRF169	4P																																																																																																																																																																																																																																																																																																																																																																																																																																																																																																																																																																																																																																																																																						
60	5573	24.57	114	2.40			68	4956	21.85	114	2.50			78	4316	19.03	114	3.50			87	3851	16.98	114	3.70			14	19902	107.49	114	0.85	GR169 GRF169	4P	16	17254	93.19	114	1.00	16	17254	93.19	114	1.00	18	15351			82.91	114	1.10	20	13646			73.70	114	1.25	22	12479			67.40	114	1.35	25	10859			58.65	114	1.55	28	9584			51.76	114	1.80			33	8308	44.87	114	2.10			37	7391	39.92	114	2.30			43	6371	34.41	114	2.70			53	5177	27.96	114	3.30	62	4390	23.71	114	3.90	18	15455			83.47	31	0.80	GR149 GRF149	4P			20	13348	72.09	57	0.95	22	12403	66.99	59	1.00	24	11311	61.09	61			1.10	28	9789	52.87	64			1.25	32	8637	46.65	66			1.45	36	7460	40.29	67			1.65	41	6599	35.64	68			1.85	49	5545			29.95	69	2.20	61	4479	24.19	69	2.50	72	3785	20.44	70	3.00	GR149 GRF149	4P	81	3340	18.04	70	3.00	94	2896	15.64	70	4.30	29	9417	50.86	34	0.80	GR139 GRF139			4P	33	8219	44.39	49			0.90	39	6971	37.65	52	1.10	45	6093	32.91	54	1.25	53	5153	27.83			55	1.40	61	4466	24.12			56	1.70	67			4073	22.00	56	1.85	GR139 GRF139			4P	77	3525	19.04	57	2.20	88	3111	16.80	57	2.40	101	2687	14.51	57	2.80	115	2376	12.83	55	3.20			136	1998	10.79	54	3.80			194	1405	7.59			51	3.50	230	1181	6.38			49	4.10	73			3716	20.07	17			1.10	GR109 GRF109	4P	81	3372	18.21	17	1.20	94	2898	15.65	16	1.40	108	2529	13.66	16	1.60	127	2146	11.59	15	1.90	145	1876			10.13	15	2.20	172	1585			8.56			15	2.60	187	1455	7.86			15	1.95	221			1233	6.66	14			2.30	253	1078			5.82	14	2.60	299	911			4.92	13	3.00																																																																																																																																																																																																																																																																																																												
68	4956	21.85	114	2.50			78	4316	19.03	114	3.50			87	3851	16.98	114	3.70			14	19902	107.49	114	0.85	GR169 GRF169	4P	16	17254	93.19	114	1.00			16	17254	93.19	114	1.00	18	15351	82.91	114	1.10	20	13646			73.70	114	1.25	22	12479			67.40	114	1.35	25	10859			58.65	114	1.55	28	9584			51.76	114	1.80	33	8308			44.87	114	2.10			37	7391	39.92	114	2.30			43	6371	34.41	114	2.70			53	5177	27.96	114	3.30			62	4390	23.71	114	3.90	18	15455	83.47	31	0.80	GR149 GRF149	4P			20	13348	72.09			57	0.95	22	12403	66.99	59	1.00	24	11311	61.09	61	1.10	28	9789	52.87	64			1.25	32	8637	46.65	66			1.45	36	7460	40.29	67			1.65	41	6599	35.64	68			1.85	49	5545	29.95	69			2.20	61	4479	24.19	69	2.50	72	3785	20.44	70	3.00	GR149 GRF149	4P	81	3340	18.04	70	3.00			94	2896	15.64	70	4.30	29	9417	50.86	34	0.80	GR139 GRF139	4P	33	8219	44.39					49	0.90	39	6971	37.65	52	1.10	45	6093	32.91	54	1.25	53	5153	27.83	55	1.40	61	4466	24.12			56	1.70	67	4073	22.00			56	1.85	GR139 GRF139			4P	77	3525	19.04		57	2.20		88	3111	16.80	57	2.40	101	2687	14.51	57	2.80	115	2376	12.83	55	3.20	136	1998	10.79	54	3.80			194	1405	7.59	51	3.50			230	1181	6.38			49	4.10	73	3716	20.07			17	1.10	GR109 GRF109			4P	81	3372	18.21	17	1.20			94	2898	15.65	16	1.40	108	2529	13.66	16	1.60	127	2146	11.59	15	1.90	145	1876	10.13	15	2.20	172	1585			8.56	15	2.60	187	1455			7.86			15	1.95	221	1233	6.66			14	2.30	253			1078	5.82	14			2.60	299	911			4.92	13	3.00																																																																																																																																																																																																																																																																																																																			
78	4316	19.03	114	3.50			87	3851	16.98	114	3.70			14	19902	107.49	114	0.85	GR169 GRF169	4P	16	17254	93.19	114	1.00			16	17254	93.19	114	1.00			18	15351	82.91	114	1.10	20	13646	73.70	114	1.25	22	12479			67.40	114	1.35	25	10859			58.65	114	1.55	28	9584			51.76	114	1.80	33	8308			44.87	114	2.10	37	7391			39.92	114	2.30			43	6371	34.41	114	2.70			53	5177	27.96	114	3.30			62	4390	23.71	114	3.90			18	15455	83.47	31	0.80	GR149 GRF149	4P	20	13348	72.09			57	0.95	22	12403	66.99			59	1.00	24	11311	61.09	61	1.10	28	9789	52.87	64	1.25	32	8637	46.65	66			1.45	36	7460	40.29	67			1.65	41	6599	35.64	68			1.85	49	5545	29.95	69			2.20	61	4479	24.19	69	2.50	72	3785	20.44	70	3.00	GR149 GRF149	4P	81	3340	18.04	70	3.00			94	2896	15.64	70	4.30			29	9417	50.86	34	0.80	GR139 GRF139	4P	33	8219	44.39			49	0.90	39		6971	37.65		52	1.10	45	6093	32.91	54	1.25	53	5153	27.83	55	1.40	61	4466	24.12	56	1.70	67	4073	22.00			56	1.85	GR139 GRF139	4P	77			3525	19.04		57	2.20		88	3111	16.80		57	2.40		101	2687	14.51	57	2.80	115	2376	12.83	55	3.20	136	1998	10.79	54	3.80	194	1405	7.59	51	3.50			230	1181	6.38	49	4.10			73	3716	20.07			17	1.10	GR109 GRF109	4P	81			3372	18.21		17	1.20		94	2898	15.65	16	1.40			108	2529	13.66	16	1.60	127	2146	11.59	15	1.90	145	1876	10.13	15	2.20	172	1585	8.56	15	2.60	187	1455			7.86	15	1.95	221	1233			6.66			14	2.30	253	1078	5.82			14	2.60	299			911	4.92	13			3.00																																																																																																																																																																																																																																																																																																																										
87	3851	16.98	114	3.70																																																																																																																																																																																																																																																																																																																																																																																																																																																																																																																																																																																																																																																																																								
14	19902	107.49	114	0.85	GR169 GRF169	4P	16	17254	93.19	114	1.00	16	17254	93.19	114	1.00	18	15351			82.91	114	1.10	20	13646			73.70	114	1.25	22	12479			67.40	114	1.35	25	10859	58.65	114	1.55	28	9584	51.76	114			1.80	33	8308	44.87	114			2.10	37	7391	39.92	114			2.30	43	6371	34.41	114			2.70	53	5177	27.96	114			3.30	62	4390			23.71	114	3.90	18	15455			83.47	31	0.80	GR149 GRF149	4P			20	13348	72.09	57	0.95	22	12403	66.99	59	1.00	24	11311			61.09	61	1.10			28	9789	52.87	64	1.25			32	8637	46.65	66	1.45	36	7460	40.29	67	1.65	41	6599	35.64	68	1.85	49			5545	29.95	69	2.20	61			4479	24.19	69	2.50	72	3785	20.44	70	3.00	GR149 GRF149	4P	81	3340	18.04	70	3.00	94	2896	15.64	70	4.30	29	9417	50.86	34			0.80	GR139 GRF139	4P	33	8219			44.39	49	0.90	39	6971	37.65	52	1.10	45	6093	32.91	54			1.25	53	5153			27.83	55	1.40		61	4466		24.12	56	1.70	67	4073	22.00	56	1.85	GR139 GRF139	4P	77	3525	19.04	57	2.20	88	3111	16.80	57	2.40	101	2687	14.51	57			2.80	115	2376	12.83	55		3.20	136		1998	10.79	54		3.80	194		1405	7.59	51	3.50	230	1181	6.38	49	4.10	73	3716	20.07	17	1.10	GR109 GRF109	4P	81	3372	18.21	17			1.20	94	2898	15.65	16			1.40	108	2529	13.66	16	1.60	127			2146	11.59	15	1.90	145		1876	10.13		15	2.20	172	1585	8.56			15	2.60	187	1455	7.86	15	1.95	221	1233	6.66	14	2.30	253	1078	5.82	14	2.60	299	911	4.92	13	3.00																																																																																																																																																																																																																																																																																																																																																								
16	17254	93.19	114	1.00			18	15351	82.91	114	1.10	20	13646	73.70	114	1.25	22	12479			67.40	114	1.35	25	10859			58.65	114	1.55	28	9584			51.76	114	1.80	33	8308	44.87	114	2.10	37	7391	39.92	114			2.30	43	6371	34.41	114			2.70	53	5177	27.96	114			3.30	62	4390	23.71	114			3.90	18	15455	83.47	31			0.80	GR149 GRF149	4P			20	13348	72.09	57	0.95			22	12403	66.99			59	1.00	24	11311	61.09	61	1.10	28	9789	52.87	64	1.25	32	8637			46.65	66	1.45			36	7460	40.29	67	1.65			41	6599	35.64	68	1.85	49	5545	29.95	69	2.20	61	4479	24.19	69	2.50	72			3785	20.44	70	3.00	GR149 GRF149	4P	81	3340	18.04	70	3.00	94	2896	15.64	70	4.30			29	9417	50.86	34	0.80	GR139 GRF139	4P	33	8219	44.39	49	0.90	39	6971			37.65			52	1.10	45	6093	32.91	54	1.25	53	5153	27.83	55	1.40	61	4466	24.12	56			1.70	67	4073			22.00	56	1.85		GR139 GRF139	4P		77	3525	19.04	57	2.20	88	3111	16.80			57	2.40	101	2687	14.51	57	2.80	115	2376	12.83	55	3.20	136	1998			10.79	54	3.80	194	1405		7.59	51		3.50	230	1181		6.38	49		4.10	73	3716	20.07	17	1.10	GR109 GRF109	4P	81	3372	18.21	17	1.20	94			2898	15.65	16	1.40			108	2529	13.66	16	1.60	127	2146	11.59	15	1.90	145	1876	10.13	15			2.20	172	1585	8.56	15		2.60	187		1455	7.86	15	1.95	221			1233	6.66	14	2.30	253	1078	5.82	14	2.60	299	911	4.92	13	3.00																																																																																																																																																																																																																																																																																																																																																																
18	15351	82.91	114	1.10			20	13646	73.70	114	1.25	22	12479	67.40	114	1.35	25	10859			58.65	114	1.55	28	9584			51.76	114	1.80	33	8308			44.87	114	2.10	37	7391	39.92	114	2.30	43	6371	34.41	114			2.70	53	5177	27.96	114			3.30	62	4390	23.71	114			3.90	18	15455	83.47	31			0.80	GR149 GRF149	4P	20	13348			72.09					57	0.95	22	12403	66.99	59	1.00	24	11311	61.09			61	1.10	28	9789	52.87	64	1.25	32	8637	46.65	66	1.45	36	7460			40.29	67	1.65			41	6599	35.64	68	1.85			49	5545	29.95	69	2.20	61	4479	24.19	69	2.50	72	3785	20.44	70	3.00	GR149 GRF149	4P	81	3340	18.04	70	3.00			94	2896	15.64	70	4.30	29	9417	50.86	34	0.80			GR139 GRF139	4P	33	8219	44.39			49	0.90	39	6971	37.65	52	1.10	45	6093	32.91			54	1.25	53	5153	27.83	55	1.40	61	4466	24.12	56	1.70	67	4073	22.00	56			1.85	GR139 GRF139	4P			77	3525	19.04	57			2.20	88	3111	16.80	57	2.40	101	2687	14.51			57	2.80	115	2376	12.83	55	3.20	136	1998	10.79	54	3.80	194	1405			7.59	51	3.50	230	1181		6.38	49		4.10	73	3716		20.07	17		1.10	GR109 GRF109	4P	81	3372	18.21			17	1.20	94	2898	15.65	16			1.40	108	2529	13.66	16	1.60	127	2146	11.59	15	1.90	145	1876	10.13	15	2.20	172	1585	8.56	15			2.60	187	1455	7.86	15		1.95	221		1233	6.66	14	2.30	253			1078	5.82	14	2.60	299	911	4.92	13	3.00																																																																																																																																																																																																																																																																																																																																																																					
20	13646	73.70	114	1.25			22	12479	67.40	114	1.35	25	10859	58.65	114	1.55	28	9584			51.76	114	1.80	33	8308			44.87	114	2.10	37	7391			39.92	114	2.30	43	6371	34.41	114	2.70	53	5177	27.96	114			3.30	62	4390	23.71	114			3.90	18	15455	83.47	31			0.80	GR149 GRF149	4P	20	13348			72.09			57	0.95			22			12403	66.99	59	1.00	24	11311	61.09	61	1.10	28	9789	52.87			64	1.25	32	8637	46.65	66	1.45	36	7460	40.29	67	1.65	41	6599			35.64	68	1.85			49	5545	29.95	69	2.20			61	4479	24.19	69	2.50	72	3785	20.44	70	3.00	GR149 GRF149	4P	81	3340	18.04			70	3.00	94	2896	15.64			70	4.30	29	9417	50.86	34	0.80	GR139 GRF139	4P	33					8219	44.39	49			0.90	39	6971	37.65	52	1.10	45	6093	32.91	54			1.25	53	5153	27.83	55	1.40	61	4466	24.12	56	1.70	67	4073	22.00	56	1.85			GR139 GRF139			4P	77	3525	19.04	57	2.20			88	3111	16.80	57	2.40	101	2687	14.51	57			2.80	115	2376	12.83	55	3.20	136	1998	10.79	54	3.80	194	1405	7.59			51	3.50	230	1181	6.38		49	4.10		73	3716	20.07		17	1.10		GR109 GRF109			4P	81	3372			18.21	17	1.20	94	2898	15.65			16	1.40	108	2529	13.66	16	1.60	127	2146	11.59	15	1.90	145	1876	10.13	15	2.20	172	1585	8.56			15	2.60	187	1455	7.86		15	1.95		221	1233	6.66	14	2.30			253	1078	5.82	14	2.60	299	911	4.92	13	3.00																																																																																																																																																																																																																																																																																																																																																																				
22	12479	67.40	114	1.35			25	10859	58.65	114	1.55	28	9584	51.76	114	1.80	33	8308			44.87	114	2.10	37	7391			39.92	114	2.30	43	6371			34.41	114	2.70	53	5177	27.96	114	3.30	62	4390	23.71	114			3.90	18	15455	83.47	31			0.80	GR149 GRF149	4P	20	13348			72.09			57	0.95			22			12403	66.99	59	1.00	24			11311	61.09	61	1.10	28	9789	52.87	64	1.25	32	8637	46.65			66	1.45	36	7460	40.29	67	1.65	41	6599	35.64	68	1.85	49	5545			29.95	69	2.20			61	4479	24.19	69	2.50	72	3785	20.44	70	3.00	GR149 GRF149	4P	81	3340	18.04	70	3.00			94	2896	15.64			70	4.30	29	9417	50.86			34	0.80	GR139 GRF139	4P	33	8219	44.39			49	0.90	39			6971	37.65	52			1.10	45	6093	32.91	54	1.25	53	5153	27.83	55			1.40	61	4466	24.12	56	1.70	67	4073	22.00	56	1.85	GR139 GRF139	4P	77	3525	19.04	57	2.20					88	3111	16.80	57	2.40			101	2687	14.51	57	2.80	115	2376	12.83	55			3.20	136	1998	10.79	54	3.80	194	1405	7.59	51	3.50	230	1181	6.38			49	4.10	73	3716	20.07		17	1.10		GR109 GRF109	4P	81	3372	18.21	17	1.20					94	2898			15.65	16	1.40	108	2529	13.66			16	1.60	127	2146	11.59	15	1.90	145	1876	10.13	15	2.20	172	1585	8.56	15	2.60	187	1455	7.86			15	1.95	221	1233	6.66		14	2.30		253	1078	5.82	14	2.60			299	911	4.92	13	3.00																																																																																																																																																																																																																																																																																																																																																																									
25	10859	58.65	114	1.55			28	9584	51.76	114	1.80	33	8308	44.87	114	2.10	37	7391			39.92	114	2.30	43	6371			34.41	114	2.70	53	5177			27.96	114	3.30	62	4390	23.71	114	3.90	18	15455	83.47	31			0.80	GR149 GRF149	4P	20	13348			72.09			57	0.95			22			12403	66.99	59	1.00	24			11311	61.09	61	1.10	28			9789	52.87	64	1.25	32	8637	46.65	66	1.45	36	7460	40.29			67	1.65	41	6599	35.64	68	1.85	49	5545	29.95	69	2.20	61	4479			24.19	69	2.50	72	3785	20.44	70	3.00	GR149 GRF149	4P	81	3340	18.04	70	3.00			94	2896	15.64	70	4.30			29	9417	50.86			34	0.80	GR139 GRF139	4P	33	8219	44.39	49	0.90			39	6971	37.65			52	1.10	45			6093	32.91	54			1.25	53	5153	27.83	55	1.40	61	4466	24.12	56			1.70	67	4073	22.00	56	1.85	GR139 GRF139	4P	77	3525	19.04			57	2.20	88	3111	16.80					57	2.40	101	2687	14.51			57	2.80	115	2376	12.83	55	3.20	136	1998			10.79	54	3.80	194	1405	7.59	51	3.50	230	1181	6.38	49	4.10	73			3716	20.07	17	1.10	GR109 GRF109	4P	81	3372	18.21			17	1.20	94	2898	15.65					16	1.40			108	2529	13.66	16	1.60	127			2146	11.59	15	1.90	145	1876	10.13	15	2.20	172	1585	8.56	15	2.60	187	1455	7.86	15	1.95	221			1233	6.66	14	2.30	253		1078	5.82		14	2.60	299	911	4.92			13	3.00																																																																																																																																																																																																																																																																																																																																																																												
28	9584	51.76	114	1.80			33	8308	44.87	114	2.10	37	7391	39.92	114	2.30	43	6371			34.41	114	2.70	53	5177			27.96	114	3.30	62	4390			23.71	114	3.90	18	15455	83.47	31	0.80	GR149 GRF149	4P	20	13348			72.09			57	0.95			22			12403	66.99	59	1.00	24			11311	61.09	61	1.10	28			9789	52.87	64	1.25	32			8637	46.65	66	1.45	36	7460	40.29	67	1.65	41	6599	35.64			68	1.85	49	5545	29.95	69	2.20	61	4479	24.19	69	2.50	72	3785	20.44	70	3.00	GR149 GRF149	4P	81	3340	18.04	70	3.00			94	2896	15.64	70	4.30			29	9417	50.86	34	0.80			GR139 GRF139	4P	33	8219	44.39	49	0.90			39	6971	37.65	52	1.10			45	6093	32.91			54	1.25	53			5153	27.83	55			1.40	61	4466	24.12	56	1.70	67	4073	22.00	56	1.85	GR139 GRF139	4P	77	3525	19.04	57	2.20			88	3111	16.80			57	2.40	101	2687	14.51					57	2.80	115	2376	12.83			55	3.20	136	1998	10.79	54	3.80	194	1405			7.59	51	3.50	230	1181	6.38	49	4.10	73	3716	20.07	17	1.10	GR109 GRF109	4P	81	3372	18.21	17	1.20			94	2898	15.65			16	1.40	108	2529	13.66					16	1.60			127	2146	11.59	15	1.90	145			1876	10.13	15	2.20	172	1585	8.56	15	2.60	187	1455	7.86	15	1.95	221	1233	6.66	14	2.30	253			1078	5.82	14	2.60	299		911	4.92		13	3.00																																																																																																																																																																																																																																																																																																																																																																																			
33	8308	44.87	114	2.10			37	7391	39.92	114	2.30	43	6371	34.41	114	2.70	53	5177			27.96	114	3.30	62	4390			23.71	114	3.90	18	15455			83.47	31	0.80	GR149 GRF149	4P	20	13348	72.09			57	0.95			22			12403	66.99	59	1.00	24			11311	61.09	61	1.10	28			9789	52.87	64	1.25	32			8637	46.65	66	1.45	36			7460	40.29	67	1.65	41	6599	35.64	68	1.85	49	5545	29.95			69	2.20	61	4479	24.19	69	2.50	72	3785	20.44	70	3.00	GR149 GRF149	4P	81	3340	18.04			70	3.00	94	2896	15.64			70	4.30	29	9417	50.86			34	0.80	GR139 GRF139	4P	33	8219	44.39			49	0.90	39	6971	37.65			52	1.10	45	6093	32.91			54	1.25	53			5153	27.83	55			1.40	61	4466	24.12	56	1.70	67	4073	22.00	56	1.85	GR139 GRF139	4P	77	3525	19.04			57	2.20	88	3111	16.80			57	2.40	101			2687	14.51	57	2.80	115					2376	12.83	55	3.20	136			1998	10.79	54	3.80	194	1405	7.59	51	3.50			230	1181	6.38	49	4.10	73	3716	20.07	17	1.10	GR109 GRF109	4P	81			3372	18.21	17	1.20	94			2898	15.65	16			1.40	108	2529	13.66	16					1.60	127			2146	11.59	15	1.90	145	1876			10.13	15	2.20	172	1585	8.56	15	2.60	187	1455	7.86	15	1.95	221	1233	6.66	14	2.30	253	1078			5.82	14	2.60	299	911		4.92	13		3.00																																																																																																																																																																																																																																																																																																																																																																																				
37	7391	39.92	114	2.30			43	6371	34.41	114	2.70	53	5177	27.96	114	3.30	62	4390			23.71	114	3.90	18	15455			83.47	31	0.80	GR149 GRF149	4P			20	13348	72.09			57	0.95	22			12403	66.99	59	1.00	24			11311	61.09	61	1.10	28			9789	52.87	64	1.25	32			8637	46.65	66	1.45	36			7460	40.29	67	1.65	41			6599	35.64	68	1.85	49	5545	29.95	69	2.20	61	4479	24.19	69	2.50	72	3785	20.44	70	3.00	GR149 GRF149	4P	81	3340	18.04	70	3.00			94	2896	15.64			70	4.30	29	9417	50.86			34	0.80	GR139 GRF139	4P	33	8219	44.39	49	0.90			39	6971	37.65			52	1.10	45	6093	32.91			54	1.25	53	5153	27.83			55	1.40	61			4466	24.12	56	1.70	67	4073	22.00	56	1.85	GR139 GRF139	4P	77	3525	19.04	57	2.20			88	3111	16.80			57	2.40	101	2687	14.51			57	2.80	115			2376	12.83	55	3.20	136					1998	10.79	54	3.80	194			1405	7.59	51	3.50	230	1181	6.38	49	4.10	73	3716	20.07	17	1.10	GR109 GRF109	4P	81	3372	18.21	17	1.20			94			2898	15.65	16	1.40	108			2529	13.66	16			1.60	127	2146	11.59	15					1.90	145			1876	10.13	15	2.20	172	1585			8.56	15	2.60	187	1455	7.86	15	1.95	221	1233	6.66	14	2.30	253	1078	5.82	14	2.60	299	911			4.92	13	3.00																																																																																																																																																																																																																																																																																																																																																																																											
43	6371	34.41	114	2.70			53	5177	27.96	114	3.30	62	4390	23.71	114	3.90	18	15455			83.47	31	0.80	GR149 GRF149	4P			20	13348	72.09					57	0.95	22			12403	66.99	59			1.00	24	11311	61.09	61			1.10	28	9789	52.87	64			1.25	32	8637	46.65	66			1.45	36	7460	40.29	67			1.65	41	6599	35.64	68	1.85	49	5545	29.95	69	2.20	61	4479	24.19	69	2.50	72	3785	20.44	70	3.00	GR149 GRF149	4P	81	3340	18.04			70	3.00	94	2896	15.64			70	4.30	29			9417	50.86	34	0.80	GR139 GRF139	4P	33	8219	44.39			49	0.90	39	6971	37.65			52	1.10	45			6093	32.91	54	1.25	53			5153	27.83	55	1.40	61			4466	24.12	56	1.70	67	4073	22.00	56	1.85	GR139 GRF139	4P	77	3525	19.04			57	2.20	88	3111	16.80			57	2.40	101			2687	14.51	57	2.80	115			2376	12.83	55			3.20	136	1998	10.79	54					3.80	194	1405	7.59	51	3.50	230	1181	6.38	49	4.10	73	3716	20.07	17	1.10	GR109 GRF109	4P	81	3372	18.21			17	1.20	94	2898	15.65			16			1.40	108	2529	13.66	16			1.60	127	2146			11.59	15	1.90	145	1876					10.13	15			2.20	172	1585	8.56	15	2.60			187	1455	7.86	15	1.95	221	1233	6.66	14	2.30	253	1078	5.82	14	2.60	299	911	4.92	13	3.00																																																																																																																																																																																																																																																																																																																																																																																																
53	5177	27.96	114	3.30			62	4390	23.71	114	3.90	18	15455	83.47	31	0.80	GR149 GRF149	4P			20	13348	72.09					57	0.95	22			12403	66.99	59	1.00	24			11311	61.09	61			1.10	28	9789	52.87	64			1.25	32	8637	46.65	66			1.45	36	7460	40.29	67			1.65	41	6599	35.64	68	1.85	49	5545	29.95	69	2.20	61	4479	24.19	69	2.50	72	3785	20.44	70	3.00	GR149 GRF149	4P	81	3340	18.04	70	3.00			94	2896	15.64			70	4.30	29	9417	50.86			34	0.80	GR139 GRF139	4P	33	8219	44.39	49	0.90			39	6971	37.65			52	1.10	45	6093	32.91			54	1.25	53			5153	27.83	55	1.40	61			4466	24.12	56	1.70	67	4073	22.00	56	1.85	GR139 GRF139	4P	77	3525	19.04	57	2.20			88	3111	16.80			57	2.40	101	2687	14.51			57	2.80	115			2376	12.83	55	3.20	136			1998	10.79	54			3.80	194	1405	7.59	51		3.50	230		1181	6.38	49	4.10	73	3716	20.07	17	1.10	GR109 GRF109	4P	81	3372	18.21	17	1.20			94	2898	15.65			16	1.40	108	2529	13.66			16			1.60	127	2146	11.59	15			1.90	145	1876			10.13	15	2.20	172	1585					8.56	15			2.60	187	1455	7.86	15	1.95			221	1233	6.66	14	2.30	253	1078	5.82	14	2.60	299	911	4.92	13	3.00																																																																																																																																																																																																																																																																																																																																																																																																					
62	4390	23.71	114	3.90			18	15455	83.47	31	0.80	GR149 GRF149	4P	20	13348	72.09					57	0.95	22			12403	66.99	59	1.00	24			11311	61.09	61	1.10	28			9789	52.87	64			1.25	32	8637	46.65	66			1.45	36	7460	40.29	67			1.65	41	6599	35.64	68	1.85	49	5545	29.95	69	2.20	61	4479	24.19	69	2.50	72	3785	20.44	70	3.00	GR149 GRF149	4P	81	3340	18.04	70	3.00			94	2896	15.64	70	4.30			29	9417	50.86			34	0.80	GR139 GRF139	4P	33	8219	44.39	49	0.90			39	6971	37.65	52	1.10			45	6093	32.91			54	1.25	53	5153	27.83			55	1.40	61			4466	24.12	56	1.70	67	4073	22.00	56	1.85	GR139 GRF139	4P	77	3525	19.04	57	2.20			88	3111	16.80	57	2.40			101	2687	14.51			57	2.80	115	2376	12.83			55	3.20	136			1998	10.79	54	3.80	194			1405	7.59	51			3.50	230	1181	6.38	49	4.10	73	3716	20.07	17	1.10	GR109 GRF109	4P	81	3372	18.21	17	1.20			94	2898	15.65	16	1.40			108	2529	13.66			16	1.60	127	2146	11.59			15			1.90	145	1876	10.13	15			2.20	172	1585			8.56	15	2.60	187	1455					7.86	15			1.95	221	1233	6.66	14	2.30	253	1078	5.82	14	2.60	299	911	4.92	13	3.00																																																																																																																																																																																																																																																																																																																																																																																																												
18	15455	83.47	31	0.80			GR149 GRF149	4P	20	13348	72.09			57	0.95	22			12403	66.99	59	1.00	24			11311	61.09	61	1.10	28			9789	52.87	64	1.25	32			8637	46.65	66			1.45	36	7460	40.29	67			1.65	41	6599	35.64	68	1.85	49	5545	29.95	69	2.20	61	4479	24.19	69	2.50	72	3785	20.44	70	3.00	GR149 GRF149	4P	81	3340	18.04	70	3.00			94	2896	15.64	70	4.30			29	9417	50.86	34	0.80			GR139 GRF139	4P	33	8219	44.39	49	0.90			39	6971	37.65	52	1.10			45	6093	32.91	54	1.25			53	5153	27.83			55	1.40	61	4466	24.12			56	1.70	67	4073	22.00	56	1.85	GR139 GRF139	4P	77	3525	19.04	57	2.20			88	3111	16.80	57	2.40			101	2687	14.51	57	2.80			115	2376	12.83			55	3.20	136	1998	10.79			54	3.80	194			1405	7.59	51	3.50	230			1181	6.38	49	4.10	73	3716	20.07	17	1.10	GR109 GRF109	4P	81	3372	18.21	17	1.20			94	2898	15.65	16	1.40			108	2529	13.66	16	1.60			127	2146	11.59			15	1.90	145	1876	10.13			15			2.20	172	1585	8.56	15			2.60	187	1455			7.86	15	1.95	221	1233					6.66	14	2.30	253	1078	5.82	14	2.60	299	911	4.92	13	3.00																																																																																																																																																																																																																																																																																																																																																																																																																			
22	12403	66.99	59	1.00					24	11311	61.09			61	1.10	28			9789	52.87	64	1.25	32			8637	46.65	66	1.45	36			7460	40.29	67	1.65	41			6599	35.64	68			1.85	49	5545	29.95	69	2.20	61	4479	24.19	69	2.50	72	3785	20.44	70	3.00	GR149 GRF149	4P	81	3340	18.04	70	3.00	94	2896	15.64	70	4.30			29	9417	50.86	34	0.80			GR139 GRF139	4P	33	8219	44.39			49	0.90	39	6971	37.65	52	1.10			45	6093	32.91	54	1.25			53	5153	27.83	55	1.40			61	4466	24.12	56	1.70			67	4073	22.00			56	1.85	GR139 GRF139	4P	77	3525	19.04	57	2.20	88	3111	16.80	57	2.40			101	2687	14.51	57	2.80			115	2376	12.83	55	3.20			136	1998	10.79	54	3.80			194	1405	7.59			51	3.50	230	1181	6.38			49	4.10	73			3716	20.07	17	1.10	GR109 GRF109	4P	81	3372	18.21	17	1.20	94	2898	15.65	16	1.40			108	2529	13.66	16	1.60			127	2146	11.59	15	1.90			145	1876	10.13	15	2.20			172	1585	8.56			15	2.60	187	1455	7.86			15			1.95	221	1233	6.66	14			2.30	253	1078			5.82	14	2.60	299	911		4.92	13		3.00																																																																																																																																																																																																																																																																																																																																																																																																																															
24	11311	61.09	61	1.10	28	9789			52.87	64	1.25			32	8637	46.65			66	1.45	36	7460	40.29			67	1.65	41	6599	35.64			68	1.85	49	5545	29.95			69	2.20	61	4479	24.19	69	2.50	72	3785	20.44	70	3.00	GR149 GRF149	4P	81	3340	18.04	70	3.00	94	2896			15.64	70	4.30	29	9417	50.86	34	0.80	GR139 GRF139	4P			33	8219	44.39	49	0.90					39	6971	37.65	52	1.10	45	6093	32.91	54	1.25	53	5153			27.83	55	1.40	61	4466			24.12	56	1.70	67	4073			22.00	56	1.85	GR139 GRF139	4P			77	3525	19.04	57	2.20	88	3111			16.80	57	2.40	101	2687	14.51	57	2.80	115	2376			12.83	55	3.20	136	1998			10.79	54	3.80	194	1405			7.59	51	3.50	230	1181			6.38	49	4.10			73	3716	20.07	17	1.10			GR109 GRF109	4P	81	3372	18.21	17	1.20	94	2898			15.65	16	1.40	108	2529	13.66	16	1.60	127	2146			11.59	15	1.90	145	1876			10.13	15	2.20	172	1585			8.56	15	2.60	187	1455			7.86	15	1.95			221	1233	6.66	14	2.30			253			1078	5.82	14	2.60	299			911	4.92	13			3.00																																																																																																																																																																																																																																																																																																																																																																																																																																								
28	9789	52.87	64	1.25	32	8637			46.65	66	1.45			36	7460	40.29			67	1.65	41	6599	35.64			68	1.85	49	5545	29.95			69	2.20	61	4479	24.19	69	2.50	72	3785	20.44	70	3.00	GR149 GRF149	4P	81	3340	18.04	70	3.00			94	2896	15.64	70	4.30	29	9417			50.86	34	0.80	GR139 GRF139	4P	33	8219	44.39					49	0.90	39	6971	37.65	52	1.10			45	6093	32.91	54	1.25	53	5153	27.83	55	1.40	61	4466			24.12	56	1.70	67	4073			22.00	56	1.85	GR139 GRF139	4P			77	3525	19.04			57	2.20	88	3111	16.80	57	2.40	101	2687			14.51	57	2.80	115	2376	12.83	55	3.20	136	1998			10.79	54	3.80	194	1405			7.59	51	3.50	230	1181			6.38	49	4.10	73	3716			20.07	17	1.10			GR109 GRF109	4P	81	3372	18.21	17	1.20			94	2898	15.65	16	1.40	108	2529			13.66	16	1.60	127	2146	11.59	15	1.90	145	1876			10.13	15	2.20	172	1585			8.56	15	2.60	187	1455			7.86	15	1.95	221	1233			6.66	14	2.30			253	1078	5.82	14	2.60			299			911	4.92	13	3.00																																																																																																																																																																																																																																																																																																																																																																																																																																																	
32	8637	46.65	66	1.45	36	7460			40.29	67	1.65			41	6599	35.64			68	1.85	49	5545	29.95			69	2.20	61	4479	24.19	69	2.50	72	3785	20.44	70	3.00	GR149 GRF149	4P	81	3340	18.04	70	3.00			94	2896	15.64	70	4.30			29	9417	50.86	34	0.80	GR139 GRF139	4P			33	8219	44.39			49	0.90	39			6971	37.65	52	1.10	45	6093	32.91	54	1.25			53	5153	27.83	55	1.40	61	4466	24.12	56	1.70	67	4073			22.00	56	1.85	GR139 GRF139	4P			77	3525	19.04			57	2.20	88	3111	16.80			57	2.40	101	2687	14.51	57	2.80	115	2376			12.83	55	3.20	136	1998	10.79	54	3.80	194	1405			7.59	51	3.50	230	1181			6.38	49	4.10	73	3716			20.07	17	1.10	GR109 GRF109	4P			81	3372	18.21	17	1.20			94	2898	15.65	16	1.40			108	2529	13.66	16	1.60	127	2146			11.59	15	1.90	145	1876	10.13	15	2.20	172	1585			8.56	15	2.60	187	1455			7.86	15	1.95	221	1233			6.66	14	2.30	253	1078			5.82	14	2.60			299	911	4.92	13	3.00																																																																																																																																																																																																																																																																																																																																																																																																																																																										
36	7460	40.29	67	1.65	41	6599			35.64	68	1.85			49	5545	29.95			69	2.20	61	4479	24.19	69	2.50	72	3785	20.44	70	3.00	GR149 GRF149	4P	81	3340	18.04	70	3.00			94	2896	15.64	70	4.30			29	9417	50.86	34	0.80			GR139 GRF139	4P	33	8219	44.39			49	0.90	39	6971	37.65			52	1.10	45			6093	32.91	54	1.25	53	5153	27.83	55	1.40			61	4466	24.12	56	1.70	67	4073	22.00	56	1.85	GR139 GRF139	4P			77	3525	19.04			57	2.20	88	3111	16.80			57	2.40	101	2687	14.51			57	2.80	115	2376	12.83	55	3.20	136	1998			10.79	54	3.80	194	1405	7.59	51	3.50	230	1181			6.38	49	4.10	73	3716			20.07	17	1.10	GR109 GRF109	4P			81	3372	18.21			17	1.20	94	2898	15.65	16	1.40			108	2529	13.66	16	1.60			127	2146	11.59	15	1.90	145	1876			10.13	15	2.20	172	1585	8.56	15	2.60	187	1455			7.86	15	1.95	221	1233			6.66	14	2.30	253	1078			5.82	14	2.60	299	911			4.92	13	3.00																																																																																																																																																																																																																																																																																																																																																																																																																																																																	
41	6599	35.64	68	1.85	49	5545			29.95	69	2.20			61	4479	24.19	69	2.50	72	3785	20.44	70	3.00	GR149 GRF149	4P	81	3340	18.04	70	3.00			94	2896	15.64	70	4.30			29	9417	50.86	34	0.80			GR139 GRF139	4P	33	8219	44.39	49	0.90			39	6971	37.65			52	1.10	45	6093	32.91			54	1.25	53			5153	27.83	55	1.40	61	4466	24.12	56	1.70			67	4073	22.00	56	1.85	GR139 GRF139	4P	77	3525	19.04			57	2.20	88	3111	16.80			57	2.40	101	2687	14.51			57	2.80	115	2376	12.83			55	3.20	136	1998	10.79	54	3.80	194	1405			7.59	51	3.50	230	1181	6.38	49	4.10	73	3716			20.07	17	1.10	GR109 GRF109	4P			81	3372	18.21			17	1.20	94	2898	15.65			16	1.40	108	2529	13.66	16	1.60			127	2146	11.59	15	1.90			145	1876	10.13	15	2.20	172	1585			8.56	15	2.60	187	1455	7.86	15	1.95	221	1233			6.66	14	2.30	253	1078			5.82	14	2.60	299	911			4.92	13	3.00																																																																																																																																																																																																																																																																																																																																																																																																																																																																								
49	5545	29.95	69	2.20	61	4479			24.19	69	2.50	72	3785	20.44	70	3.00	GR149 GRF149	4P	81	3340	18.04	70	3.00			94	2896	15.64	70	4.30			29	9417	50.86	34	0.80			GR139 GRF139	4P	33	8219	44.39	49	0.90			39	6971	37.65	52	1.10			45	6093	32.91			54	1.25	53	5153	27.83			55	1.40	61			4466	24.12	56	1.70	67	4073	22.00	56	1.85	GR139 GRF139	4P	77	3525	19.04	57	2.20			88	3111	16.80			57	2.40	101	2687	14.51			57	2.80	115	2376	12.83			55	3.20	136	1998	10.79			54	3.80	194	1405	7.59	51	3.50	230	1181			6.38	49	4.10	73	3716	20.07	17	1.10	GR109 GRF109	4P			81	3372	18.21			17	1.20	94	2898	15.65			16	1.40	108	2529	13.66			16	1.60	127	2146	11.59	15	1.90			145	1876	10.13	15	2.20			172	1585	8.56	15	2.60	187	1455			7.86	15	1.95	221	1233	6.66	14	2.30	253	1078			5.82	14	2.60	299	911			4.92	13	3.00																																																																																																																																																																																																																																																																																																																																																																																																																																																																															
61	4479	24.19	69	2.50	72	3785	20.44	70	3.00	GR149 GRF149	4P	81	3340	18.04	70	3.00			94	2896	15.64	70	4.30			29	9417	50.86	34	0.80			GR139 GRF139	4P	33	8219	44.39	49	0.90			39	6971	37.65	52	1.10			45	6093	32.91	54	1.25			53	5153	27.83			55	1.40	61	4466	24.12			56	1.70	67	4073	22.00	56	1.85	GR139 GRF139	4P	77	3525	19.04	57	2.20			88	3111	16.80	57	2.40			101	2687	14.51			57	2.80	115	2376	12.83			55	3.20	136	1998	10.79			54	3.80	194	1405	7.59			51	3.50	230	1181	6.38	49	4.10	73	3716			20.07	17	1.10	GR109 GRF109	4P	81	3372	18.21			17	1.20	94	2898	15.65			16	1.40	108	2529	13.66			16	1.60	127	2146	11.59			15	1.90	145	1876	10.13	15	2.20			172	1585	8.56	15	2.60			187	1455	7.86	15	1.95	221	1233			6.66	14	2.30	253	1078	5.82	14	2.60	299	911			4.92	13	3.00																																																																																																																																																																																																																																																																																																																																																																																																																																																																																						
72	3785	20.44	70	3.00	GR149 GRF149	4P																																																																																																																																																																																																																																																																																																																																																																																																																																																																																																																																																																																																																																																																																						
81	3340	18.04	70	3.00			94	2896	15.64			70	4.30	29	9417	50.86			34	0.80	GR139 GRF139	4P	33	8219	44.39	49	0.90	39	6971	37.65	52	1.10			45	6093	32.91	54	1.25			53	5153	27.83	55	1.40			61	4466	24.12	56	1.70			67	4073	22.00	56	1.85	GR139 GRF139	4P	77	3525	19.04	57	2.20	88	3111	16.80	57	2.40	101	2687			14.51	57	2.80	115	2376			12.83	55	3.20	136	1998			10.79	54	3.80			194	1405	7.59	51	3.50			230	1181	6.38	49	4.10			73	3716	20.07	17	1.10	GR109 GRF109	4P	81	3372	18.21	17	1.20	94	2898	15.65	16	1.40	108	2529	13.66	16			1.60	127	2146			11.59	15	1.90	145	1876			10.13	15	2.20	172	1585			8.56	15	2.60	187	1455			7.86	15	1.95	221	1233	6.66	14			2.30	253	1078	5.82	14			2.60	299	911	4.92	13	3.00																																																																																																																																																																																																																																																																																																																																																																																																																																																																																																								
94	2896	15.64	70	4.30			29	9417	50.86			34	0.80	GR139 GRF139	4P	33	8219	44.39	49	0.90			39	6971	37.65	52	1.10	45	6093	32.91	54	1.25			53	5153	27.83	55	1.40			61	4466	24.12	56	1.70			67	4073	22.00	56	1.85	GR139 GRF139	4P	77	3525	19.04	57	2.20			88	3111	16.80	57	2.40	101	2687	14.51	57	2.80	115	2376			12.83	55	3.20	136	1998			10.79	54	3.80	194	1405			7.59	51	3.50			230	1181	6.38	49	4.10			73	3716	20.07	17	1.10	GR109 GRF109	4P	81	3372	18.21	17	1.20			94	2898	15.65	16	1.40	108	2529	13.66	16	1.60	127	2146	11.59	15			1.90	145	1876			10.13	15	2.20	172	1585			8.56	15	2.60	187	1455			7.86	15	1.95	221	1233			6.66	14	2.30	253	1078	5.82	14			2.60	299	911	4.92	13			3.00																																																																																																																																																																																																																																																																																																																																																																																																																																																																																																													
29	9417	50.86	34	0.80			GR139 GRF139	4P																																																																																																																																																																																																																																																																																																																																																																																																																																																																																																																																																																																																																																																																																				
33	8219	44.39	49	0.90	39	6971			37.65	52	1.10	45	6093			32.91	54	1.25	53	5153			27.83	55	1.40	61	4466	24.12	56	1.70	67	4073			22.00	56	1.85	GR139 GRF139	4P	77	3525	19.04	57	2.20	88	3111	16.80	57	2.40	101	2687	14.51	57			2.80	115	2376	12.83	55			3.20	136	1998	10.79	54	3.80	194	1405	7.59	51	3.50	230			1181	6.38	49	4.10	73			3716	20.07	17	1.10	GR109 GRF109			4P	81	3372	18.21	17	1.20	94	2898	15.65	16	1.40	108	2529	13.66	16	1.60	127			2146	11.59	15	1.90	145			1876	10.13	15	2.20	172	1585	8.56	15	2.60	187	1455	7.86	15	1.95			221	1233	6.66			14	2.30	253	1078	5.82			14	2.60	299	911	4.92			13	3.00																																																																																																																																																																																																																																																																																																																																																																																																																																																																																																																																			
39	6971	37.65	52	1.10	45	6093			32.91	54	1.25	53	5153			27.83	55	1.40	61	4466			24.12	56	1.70	67	4073	22.00	56	1.85	GR139 GRF139	4P	77	3525	19.04	57	2.20			88	3111	16.80	57	2.40	101	2687	14.51	57	2.80	115	2376	12.83	55			3.20	136	1998	10.79	54			3.80	194	1405	7.59	51	3.50	230	1181	6.38	49	4.10	73			3716	20.07	17	1.10	GR109 GRF109			4P	81	3372	18.21		17	1.20		94	2898	15.65	16	1.40	108	2529	13.66	16	1.60	127	2146	11.59	15	1.90	145			1876	10.13	15	2.20	172			1585	8.56	15	2.60	187	1455	7.86	15	1.95	221	1233	6.66	14	2.30			253	1078	5.82			14	2.60	299	911	4.92			13	3.00																																																																																																																																																																																																																																																																																																																																																																																																																																																																																																																																										
45	6093	32.91	54	1.25	53	5153			27.83	55	1.40	61	4466			24.12	56	1.70	67	4073			22.00	56	1.85	GR139 GRF139	4P	77	3525	19.04			57	2.20	88	3111	16.80			57	2.40	101	2687	14.51	57	2.80	115	2376	12.83	55	3.20	136	1998			10.79	54	3.80	194	1405			7.59	51	3.50	230	1181	6.38	49	4.10	73	3716	20.07	17			1.10	GR109 GRF109	4P	81		3372	18.21		17	1.20	94		2898	15.65		16	1.40	108	2529	13.66	16	1.60	127	2146	11.59	15	1.90	145	1876	10.13	15			2.20	172	1585	8.56	15			2.60	187	1455	7.86	15	1.95	221	1233	6.66	14	2.30	253	1078	5.82			14	2.60	299			911	4.92	13	3.00																																																																																																																																																																																																																																																																																																																																																																																																																																																																																																																																															
53	5153	27.83	55	1.40	61	4466			24.12	56	1.70	67	4073			22.00	56	1.85	GR139 GRF139	4P	77	3525	19.04	57	2.20			88	3111	16.80			57	2.40	101	2687	14.51			57	2.80	115	2376	12.83	55	3.20	136	1998	10.79	54	3.80	194	1405			7.59	51	3.50	230	1181			6.38	49	4.10	73	3716	20.07	17	1.10	GR109 GRF109	4P	81	3372	18.21	17	1.20			94		2898	15.65		16	1.40	108		2529	13.66		16	1.60	127	2146	11.59	15	1.90	145	1876	10.13	15	2.20	172	1585	8.56	15			2.60	187	1455	7.86	15			1.95	221	1233	6.66	14	2.30	253	1078	5.82	14	2.60	299	911	4.92			13	3.00																																																																																																																																																																																																																																																																																																																																																																																																																																																																																																																																																						
61	4466	24.12	56	1.70	67	4073			22.00	56	1.85	GR139 GRF139	4P	77	3525	19.04	57	2.20			88	3111	16.80	57	2.40			101	2687	14.51			57	2.80	115	2376	12.83			55	3.20	136	1998	10.79	54	3.80	194	1405	7.59	51	3.50	230	1181			6.38	49	4.10	73	3716			20.07	17	1.10	GR109 GRF109	4P	81	3372	18.21			17	1.20	94	2898	15.65			16		1.40	108		2529	13.66	16		1.60	127		2146	11.59	15	1.90	145	1876	10.13	15	2.20	172	1585	8.56	15	2.60	187	1455			7.86	15	1.95	221	1233			6.66	14	2.30	253	1078	5.82	14	2.60	299	911	4.92	13	3.00																																																																																																																																																																																																																																																																																																																																																																																																																																																																																																																																																											
67	4073	22.00	56	1.85	GR139 GRF139	4P																																																																																																																																																																																																																																																																																																																																																																																																																																																																																																																																																																																																																																																																																						
77	3525	19.04	57	2.20			88	3111	16.80	57	2.40			101	2687	14.51	57	2.80			115	2376	12.83	55	3.20			136	1998	10.79			54	3.80	194	1405	7.59			51	3.50	230	1181	6.38	49	4.10	73	3716	20.07	17	1.10	GR109 GRF109	4P	81	3372	18.21	17	1.20	94	2898	15.65	16	1.40	108	2529			13.66	16	1.60			127	2146	11.59	15	1.90			145		1876	10.13		15	2.20	172		1585	8.56		15	2.60	187	1455	7.86	15	1.95	221	1233	6.66	14	2.30	253	1078	5.82	14			2.60	299	911	4.92	13			3.00																																																																																																																																																																																																																																																																																																																																																																																																																																																																																																																																																																							
88	3111	16.80	57	2.40			101	2687	14.51	57	2.80			115	2376	12.83	55	3.20			136	1998	10.79	54	3.80			194	1405	7.59			51	3.50	230	1181	6.38			49	4.10	73	3716	20.07	17	1.10	GR109 GRF109	4P	81	3372	18.21			17	1.20	94	2898	15.65	16	1.40	108	2529	13.66	16	1.60			127	2146	11.59			15	1.90	145	1876	10.13			15		2.20	172		1585	8.56	15		2.60	187		1455	7.86	15	1.95	221	1233	6.66	14	2.30	253	1078	5.82	14	2.60	299	911			4.92	13	3.00																																																																																																																																																																																																																																																																																																																																																																																																																																																																																																																																																																												
101	2687	14.51	57	2.80			115	2376	12.83	55	3.20			136	1998	10.79	54	3.80			194	1405	7.59	51	3.50			230	1181	6.38			49	4.10	73	3716	20.07	17	1.10	GR109 GRF109	4P	81	3372	18.21	17	1.20			94	2898	15.65			16	1.40	108	2529	13.66	16	1.60	127	2146	11.59	15	1.90			145	1876	10.13			15	2.20	172	1585	8.56			15		2.60	187		1455	7.86	15		1.95	221		1233	6.66	14	2.30	253	1078	5.82	14	2.60	299	911	4.92	13	3.00																																																																																																																																																																																																																																																																																																																																																																																																																																																																																																																																																																																			
115	2376	12.83	55	3.20			136	1998	10.79	54	3.80			194	1405	7.59	51	3.50			230	1181	6.38	49	4.10			73	3716	20.07	17	1.10	GR109 GRF109	4P	81	3372	18.21	17	1.20			94	2898	15.65	16	1.40			108	2529	13.66			16	1.60	127	2146	11.59	15	1.90	145	1876	10.13	15	2.20			172	1585	8.56			15	2.60	187	1455	7.86			15		1.95	221		1233	6.66	14		2.30	253		1078	5.82	14	2.60	299	911	4.92	13	3.00																																																																																																																																																																																																																																																																																																																																																																																																																																																																																																																																																																																								
136	1998	10.79	54	3.80			194	1405	7.59	51	3.50			230	1181	6.38	49	4.10			73	3716	20.07	17	1.10	GR109 GRF109	4P	81	3372	18.21	17	1.20			94	2898	15.65	16	1.40			108	2529	13.66	16	1.60			127	2146	11.59			15	1.90	145	1876	10.13	15	2.20	172	1585	8.56	15	2.60			187	1455	7.86			15	1.95	221	1233	6.66			14		2.30	253		1078	5.82	14		2.60	299		911	4.92	13	3.00																																																																																																																																																																																																																																																																																																																																																																																																																																																																																																																																																																																													
194	1405	7.59	51	3.50			230	1181	6.38	49	4.10			73	3716	20.07	17	1.10	GR109 GRF109	4P	81	3372	18.21	17	1.20			94	2898	15.65	16	1.40			108	2529	13.66	16	1.60			127	2146	11.59	15	1.90			145	1876	10.13			15	2.20	172	1585	8.56	15	2.60	187	1455	7.86	15	1.95			221	1233	6.66			14	2.30	253	1078	5.82			14		2.60	299		911	4.92	13	3.00																																																																																																																																																																																																																																																																																																																																																																																																																																																																																																																																																																																																				
230	1181	6.38	49	4.10			73	3716	20.07	17	1.10	GR109 GRF109	4P	81	3372	18.21	17	1.20			94	2898	15.65	16	1.40			108	2529	13.66	16	1.60			127	2146	11.59	15	1.90			145	1876	10.13	15	2.20			172	1585	8.56			15	2.60	187	1455	7.86	15	1.95	221	1233	6.66	14	2.30			253	1078	5.82			14	2.60	299	911	4.92			13	3.00																																																																																																																																																																																																																																																																																																																																																																																																																																																																																																																																																																																																											
73	3716	20.07	17	1.10	GR109 GRF109	4P																																																																																																																																																																																																																																																																																																																																																																																																																																																																																																																																																																																																																																																																																						
81	3372	18.21	17	1.20			94	2898	15.65	16	1.40			108	2529	13.66	16	1.60			127	2146	11.59	15	1.90			145	1876	10.13	15	2.20			172	1585	8.56	15	2.60			187	1455	7.86	15	1.95			221	1233	6.66			14	2.30	253	1078	5.82	14	2.60	299	911	4.92	13	3.00																																																																																																																																																																																																																																																																																																																																																																																																																																																																																																																																																																																																																											
94	2898	15.65	16	1.40			108	2529	13.66	16	1.60			127	2146	11.59	15	1.90			145	1876	10.13	15	2.20			172	1585	8.56	15	2.60			187	1455	7.86	15	1.95			221	1233	6.66	14	2.30			253	1078	5.82			14	2.60	299	911	4.92	13	3.00																																																																																																																																																																																																																																																																																																																																																																																																																																																																																																																																																																																																																																
108	2529	13.66	16	1.60			127	2146	11.59	15	1.90			145	1876	10.13	15	2.20			172	1585	8.56	15	2.60			187	1455	7.86	15	1.95			221	1233	6.66	14	2.30			253	1078	5.82	14	2.60			299	911	4.92			13	3.00																																																																																																																																																																																																																																																																																																																																																																																																																																																																																																																																																																																																																																					
127	2146	11.59	15	1.90			145	1876	10.13	15	2.20			172	1585	8.56	15	2.60			187	1455	7.86	15	1.95			221	1233	6.66	14	2.30			253	1078	5.82	14	2.60			299	911	4.92	13	3.00																																																																																																																																																																																																																																																																																																																																																																																																																																																																																																																																																																																																																																														
145	1876	10.13	15	2.20			172	1585	8.56	15	2.60			187	1455	7.86	15	1.95			221	1233	6.66	14	2.30			253	1078	5.82	14	2.60			299	911	4.92	13	3.00																																																																																																																																																																																																																																																																																																																																																																																																																																																																																																																																																																																																																																																					
172	1585	8.56	15	2.60			187	1455	7.86	15	1.95			221	1233	6.66	14	2.30			253	1078	5.82	14	2.60			299	911	4.92	13	3.00																																																																																																																																																																																																																																																																																																																																																																																																																																																																																																																																																																																																																																																												
187	1455	7.86	15	1.95			221	1233	6.66	14	2.30			253	1078	5.82	14	2.60			299	911	4.92	13	3.00																																																																																																																																																																																																																																																																																																																																																																																																																																																																																																																																																																																																																																																																			
221	1233	6.66	14	2.30			253	1078	5.82	14	2.60			299	911	4.92	13	3.00																																																																																																																																																																																																																																																																																																																																																																																																																																																																																																																																																																																																																																																																										
253	1078	5.82	14	2.60			299	911	4.92	13	3.00																																																																																																																																																																																																																																																																																																																																																																																																																																																																																																																																																																																																																																																																																	
299	911	4.92	13	3.00																																																																																																																																																																																																																																																																																																																																																																																																																																																																																																																																																																																																																																																																																								

选型参数表
(恒功率) 37kW-45kW
Selection Table
(Constant Power) 37kW-45kW

n_a [r/min]	M_a [Nm]	i	F_{Ra} [kN]	f_B	机型号 Type size	极数 Pole	n_a [r/min]	M_a [Nm]	i	F_{Ra} [kN]	f_B	机型号 Type size	极数 Pole
37kW							45kW						
22	15194	66.99	33	0.80	GR149 GRF149	4P	36	11233	40.72	128	3.15	GR179	4P
24	13856	61.09	51	0.90			45	9153	33.18	128	3.70	GRF179	
28	11992	52.87	60	1.00			50	8251	29.60	116	2.25	GR179 GRF179	4P
32	10581	46.65	63	1.15			58	7164	25.70	116	2.60		
37	9138	40.29	65	1.35			63	6501	23.32	105	3.25		
42	8084	35.64	66	1.50			74	5600	20.09	105	4.35		
49	6793	29.95	68	1.80			20	20330	73.70	114	0.85		
61	5487	24.19	69	2.00			22	18592	67.40	114	0.90		
72	4636	20.44	69	2.40			25	16179	58.65	114	1.05		
82	4092	18.04	70	2.40			29	14278	51.76	114	1.20		
95	3547	15.64	70	3.50	33	12378	44.87	114	1.35				
106	3155	13.91	70	3.80	37	11012	39.92	114	1.55				
39	8539	37.65	47	0.90	43	9492	34.41	114	1.80				
45	7464	32.91	51	1.00	53	7713	27.96	114	2.20				
53	6312	27.83	53	1.15	62	6540	23.71	114	2.60				
61	5471	24.12	54	1.40	48	8471	30.71	114	1.10				
67	4990	22.00	55	1.50	60	6778	24.57	114	1.95				
78	4319	19.04	55	1.75	68	6027	21.85	114	2.00				
88	3810	16.80	54	2.00	78	5249	19.03	114	2.90				
102	3291	14.51	54	2.30	87	4684	16.98	114	3.00				
115	2910	12.83	53	2.60	102	3994	14.48	114	3.50				
137	2447	10.79	52	3.10	28	14584	52.87	42	0.85				
170	1976	8.71	50	3.70	32	12869	46.65	58	0.95				
195	1722	7.59	49	2.80	37	11114	40.29	62	1.10				
232	1447	6.38	48	3.30	42	9831	35.64	64	1.25				
287	1168	5.15	45	3.70	49	8262	29.95	66	1.50				
74	4552	20.07	15	0.90	61	6673	24.19	69	1.70				
81	4130	18.21	15	1.00	72	5638	20.44	69	2.00				
95	3550	15.65	15	1.15	82	4976	18.04	69	2.00				
108	3098	13.66	15	1.30	95	4314	15.64	70	2.80				
128	2629	11.59	15	1.55	106	3837	13.91	70	3.10				
146	2298	10.13	14	1.75	123	3307	11.99	70	3.70				
173	1942	8.56	14	2.10	204	2000	7.25	71	4.10				
188	1783	7.86	14	1.55	45	9078	32.91	40	0.85				
222	1511	6.66	14	1.85	53	7677	27.83	49	0.95				
254	1320	5.82	13	2.10	61	6654	24.12	50	1.15				
301	1116	4.92	13	2.50	67	6069	22.00	51	1.25				
377	915	3.93	5.9	1.45	78	5252	19.04	51	1.45				
435	792	3.40	5.9	1.70	88	4634	16.80	51	1.65				
493	698	3.00	6.5	2.00	102	4003	14.51	51	1.90				
571	603	2.59	6.9	2.15	115	3539	12.83	50	2.10				
646	533	2.29	5.9	2.20	137	2976	10.79	49	2.50				
767	449	1.93	6.0	2.45	170	2403	8.71	48	3.10				
438	787	3.38	4.2	1.00	195	2094	7.59	48	2.30				
482	715	3.07	4.7	1.10	232	1760	6.38	46	2.70				
561	615	2.64	5.3	1.30	287	1421	5.15	44	3.00				
643	536	2.30	5.3	1.50	95	4317	15.65	14	0.95				
759	454	1.95	5.2	1.65	108	3768	13.66	14	1.10				
865	398	1.71	5.1	1.70	128	3197	11.59	14	1.25				
1028	335	1.44	5.0	1.85	146	2794	10.13	14	1.45				
45kW							173	2361	8.56	13	1.70	GR109 GRF109	4P
11	37875	137.30	128	0.85	188	2168	7.86	14	1.30				
12	33064	119.86	128	1.10	222	1837	6.66	13	1.50				
14	29560	107.16	128	1.25	254	1605	5.82	13	1.75				
16	25279	91.64	128	1.40	301	1357	4.92	12	2.00				
19	20954	75.96	128	1.60	377	1113	3.93	5.9	1.20				
22	18488	67.02	128	2.00	435	963	3.40	5.9	1.40				
26	15812	57.32	128	2.20	493	850	3.00	6.5	1.65				
31	13106	47.51	128	2.60	571	733	2.59	6.9	1.75				
					646	648	2.29	5.9	1.80				
					767	547	1.93	6.0	2.00				

选型参数表

(恒功率) 45kW-90kW

Selection Table

(Constant Power) 45kW-90kW

n_a [r/min]	M_a [Nm]	i	F_{Ra} [kN]	f_B	机型号 Type size	极数 Pole	n_a [r/min]	M_a [Nm]	i	F_{Ra} [kN]	f_B	机型号 Type size	极数 Pole																																																																																																																																																																																																																																																																																																																																																																																																																																																																																																																																																																																																																																																											
45kW							75kW																																																																																																																																																																																																																																																																																																																																																																																																																																																																																																																																																																																																																																																																	
438	957	3.38	1.3	0.85	GRX109 GRXF109	4P	16	42132	91.64	128	0.85	GR179 GRF179	4P																																																																																																																																																																																																																																																																																																																																																																																																																																																																																																																																																																																																																																																											
482	869	3.07	3.5	0.90			561	748	2.64	2.8	1.10			643	651	2.30	3.5	1.25	759	552	1.95	4.0	1.35	865	484	1.71	4.3	1.40	1028	408	1.44	4.6	1.55	55kW							90kW							12	40411	119.86	128	0.90	GR179 GRF179	4P	58	11940	25.70	116	1.55	GR179 GRF179	4P	14	36129	107.16	128	1.00	16	30897	91.64	128	1.15	19	25610	75.96	128	1.30	22	22596	67.02	128	1.60	26	19326	57.32	128	1.80	31	16018	47.51	128	2.10	36	13729	40.72	128	2.60	45	11187	33.18	128	3.00	58	8756	25.70	116	2.15	GR179 GRF179	4P	63	10834	23.32	116	1.95	GR169 GRF169	4P	63	7945	23.32	116	2.65	74	6845	20.09	105	3.55	88	5751	16.88	105	4.70	25	19774	58.65	114	0.85	GR169 GRF169	4P	60	11296	24.57	114	1.20	GR169 GRF169	4P	29	17451	51.76	114	1.00	33	15128	44.87	114	1.15	37	13459	39.92	114	1.25	43	11601	34.41	114	1.45	53	9427	27.96	114	1.80	62	7994	23.71	114	2.10	60	8284	24.57	114	1.60	GR169 GRF169	4P	68	10046	21.85	114	1.25	GR149 GRF149	4P	68	7367	21.85	114	1.65	78	6416	19.03	114	2.40	87	5725	16.98	114	2.50	102	4882	14.48	114	3.50	123	4042	11.99	114	4.00	32	15728	46.65	25	0.80	GR149 GRF149	4P	72	9397	20.44	65	1.20	GR149 GRF149	4P	37	13584	40.29	55	0.90	42	12016	35.64	60	1.00	49	10098	29.95	63	1.20	61	8156	24.19	66	1.40	72	6891	20.44	68	1.65	82	6082	18.04	68	1.65	95	5273	15.64	69	2.30	GR149 GRF149	4P	82	8294	18.04	66	1.20	GR149 GRF149	4P	106	4690	13.91	69	2.50	123	4042	11.99	70	3.00	152	3284	9.74	70	3.80	204	2444	7.25	70	3.40	251	1986	5.89	69	4.10	78	6419	19.04	45	1.20	GR149 GRF149	4P	95	7191	15.64	67	1.70	GR149 GRF149	4P	88	5664	16.80	46	1.35	102	4892	14.51	46	1.55	115	4326	12.83	47	1.75	137	3638	10.79	46	2.10	170	2937	8.71	46	2.50	195	2559	7.59	46	1.90	GR179 GRF179	4P	106	6395	13.91	68	1.85	GR179 GRF179	4P	232	2151	6.38	45	2.20	287	1736	5.15	43	2.50	37	21876	39.92	114	0.80	GR179 GRF179	4P	43	18857	34.41	114	0.90	53	15322	27.96	114	1.10	63	12993	23.71	114	1.30	61	13464	24.57	114	1.00	68	11974	21.85	114	1.00	78	10429	19.03	114	1.45	GR179 GRF179	4P	74	11125	20.09	116	2.20	GR179 GRF179	4P	88	9348	16.88	105	2.90	102	8096	14.62	105	3.10	122	6745	12.18	98	4.45	37	21876	39.92	114	0.80	GR169 GRF169	4P	43	18857	34.41	114	0.90	53	15322	27.96	114	1.10	63	12993	23.71	114	1.30	61	13464	24.57	114	1.00	68	11974	21.85	114	1.00	78	10429	19.03	114	1.45	GR169 GRF169	4P	88	9305	16.98	114	1.50	103	7935	14.48	111	2.10	124	6571	11.99	108	2.40	146	5612	10.24	105	2.90																																																																																																																																																																									
561	748	2.64	2.8	1.10			643	651	2.30	3.5	1.25			759	552	1.95	4.0	1.35	865	484	1.71	4.3	1.40	1028	408	1.44	4.6	1.55	55kW							90kW							12	40411	119.86	128	0.90	GR179 GRF179	4P	58	11940	25.70			116	1.55	GR179 GRF179	4P	14			36129	107.16	128	1.00	16	30897	91.64	128	1.15	19	25610	75.96	128	1.30	22	22596	67.02	128	1.60	26	19326	57.32	128	1.80	31	16018	47.51	128	2.10	36	13729	40.72	128	2.60	45	11187	33.18	128	3.00	58	8756	25.70	116	2.15	GR179 GRF179			4P	63	10834	23.32	116			1.95	GR169 GRF169	4P	63	7945	23.32	116	2.65	74	6845	20.09	105	3.55	88	5751	16.88	105	4.70	25	19774			58.65	114	0.85	GR169 GRF169	4P			60	11296	24.57	114	1.20	GR169 GRF169	4P	29	17451	51.76	114	1.00	33	15128	44.87	114	1.15	37	13459	39.92	114	1.25	43	11601	34.41	114	1.45	53	9427	27.96	114	1.80	62	7994	23.71			114	2.10	60	8284	24.57			114	1.60	GR169 GRF169	4P	68	10046	21.85	114	1.25	GR149 GRF149	4P	68	7367	21.85	114	1.65	78	6416	19.03	114	2.40	87	5725	16.98	114	2.50	102	4882	14.48	114			3.50	123	4042	11.99	114			4.00	32	15728	46.65	25	0.80	GR149 GRF149	4P	72	9397	20.44	65	1.20	GR149 GRF149	4P	37	13584	40.29	55	0.90	42	12016	35.64	60	1.00	49	10098	29.95	63	1.20	61	8156	24.19	66	1.40			72	6891	20.44	68	1.65			82	6082	18.04	68	1.65	95	5273	15.64	69	2.30	GR149 GRF149	4P	82	8294	18.04	66	1.20	GR149 GRF149	4P	106	4690	13.91	69	2.50	123	4042	11.99	70	3.00	152			3284	9.74	70	3.80	204			2444	7.25	70	3.40	251	1986	5.89	69	4.10	78	6419	19.04	45	1.20	GR149 GRF149	4P	95	7191	15.64	67	1.70	GR149 GRF149	4P	88	5664	16.80	46	1.35	102	4892			14.51	46	1.55	115	4326			12.83	47	1.75	137	3638	10.79	46	2.10	170	2937	8.71	46	2.50	195	2559			7.59	46	1.90	GR179 GRF179	4P	106	6395	13.91	68	1.85	GR179 GRF179	4P	232	2151	6.38	45	2.20	287	1736	5.15	43	2.50	37	21876	39.92	114	0.80	GR179 GRF179	4P	43			18857	34.41	114	0.90	53			15322	27.96	114	1.10	63	12993	23.71	114	1.30	61	13464	24.57	114	1.00	68	11974	21.85	114	1.00	78			10429	19.03	114	1.45	GR179 GRF179	4P	74	11125	20.09	116	2.20	GR179 GRF179	4P	88	9348	16.88	105	2.90	102	8096	14.62	105	3.10	122	6745	12.18	98	4.45	37	21876			39.92	114	0.80	GR169 GRF169	4P	43	18857	34.41	114	0.90	53	15322	27.96	114	1.10	63	12993	23.71	114	1.30	61	13464	24.57	114	1.00	68	11974	21.85	114	1.00	78	10429	19.03	114	1.45	GR169 GRF169	4P	88	9305	16.98	114	1.50	103	7935	14.48	111	2.10	124	6571	11.99	108	2.40	146	5612	10.24	105	2.90																																																																																																																																				
643	651	2.30	3.5	1.25			759	552	1.95	4.0	1.35			865	484	1.71	4.3	1.40	1028	408	1.44	4.6	1.55	55kW							90kW							12	40411	119.86	128	0.90	GR179 GRF179	4P	58	11940	25.70			116	1.55	GR179 GRF179			4P	14			36129			107.16	128	1.00	16	30897	91.64	128	1.15	19	25610	75.96	128	1.30	22	22596	67.02	128	1.60	26	19326	57.32	128	1.80	31	16018	47.51	128	2.10	36	13729	40.72	128	2.60	45	11187	33.18	128	3.00	58	8756	25.70	116	2.15	GR179 GRF179					4P	63	10834	23.32			116			1.95	GR169 GRF169	4P	63	7945	23.32	116	2.65	74	6845	20.09	105	3.55	88	5751	16.88	105			4.70	25	19774					58.65	114	0.85	GR169 GRF169	4P			60	11296	24.57	114	1.20	GR169 GRF169	4P	29	17451	51.76	114	1.00	33	15128	44.87	114	1.15	37	13459	39.92	114	1.25	43	11601	34.41	114	1.45	53			9427	27.96	114	1.80	62			7994	23.71			114	2.10	60	8284	24.57			114	1.60	GR169 GRF169	4P	68	10046	21.85	114	1.25	GR149 GRF149	4P	68	7367	21.85	114	1.65	78	6416	19.03			114	2.40	87	5725	16.98			114	2.50	102	4882	14.48	114			3.50	123	4042	11.99	114			4.00	32	15728	46.65	25	0.80	GR149 GRF149	4P	72	9397	20.44	65	1.20	GR149 GRF149	4P	37	13584	40.29	55	0.90			42	12016	35.64	60	1.00			49	10098	29.95	63	1.20	61	8156	24.19	66	1.40			72	6891	20.44	68	1.65			82	6082	18.04	68	1.65	95	5273	15.64	69	2.30	GR149 GRF149			4P	82	8294	18.04	66			1.20	GR149 GRF149	4P	106	4690	13.91	69	2.50	123	4042	11.99	70	3.00	152			3284	9.74	70	3.80	204			2444	7.25	70	3.40	251	1986	5.89			69	4.10	78	6419	19.04			45	1.20	GR149 GRF149	4P	95	7191	15.64	67	1.70	GR149 GRF149	4P	88	5664	16.80	46			1.35	102	4892			14.51	46	1.55	115	4326			12.83	47	1.75	137	3638	10.79	46	2.10	170	2937	8.71	46	2.50	195	2559			7.59			46	1.90	GR179 GRF179	4P	106			6395	13.91	68	1.85	GR179 GRF179	4P	232	2151	6.38	45	2.20	287	1736	5.15	43	2.50	37	21876	39.92	114			0.80	GR179 GRF179	4P	43			18857	34.41	114	0.90	53			15322	27.96	114	1.10	63	12993	23.71	114	1.30	61	13464	24.57	114	1.00	68	11974	21.85			114	1.00	78			10429	19.03	114	1.45	GR179 GRF179	4P	74	11125	20.09	116	2.20	GR179 GRF179	4P	88	9348	16.88	105	2.90	102	8096	14.62	105	3.10	122	6745	12.18	98	4.45	37	21876			39.92	114	0.80	GR169 GRF169	4P	43	18857	34.41	114	0.90	53	15322	27.96	114	1.10	63	12993	23.71	114	1.30	61	13464	24.57	114	1.00	68	11974	21.85	114	1.00	78	10429	19.03	114	1.45	GR169 GRF169	4P	88	9305	16.98	114	1.50	103	7935	14.48	111	2.10	124	6571	11.99	108	2.40	146	5612	10.24	105	2.90																																																																																															
759	552	1.95	4.0	1.35			865	484	1.71	4.3	1.40			1028	408	1.44	4.6	1.55	55kW							90kW							12	40411	119.86	128	0.90	GR179 GRF179	4P	58	11940	25.70			116	1.55	GR179 GRF179			4P	14					36129			107.16			128	1.00	16	30897	91.64	128	1.15	19	25610	75.96	128	1.30	22	22596	67.02	128	1.60	26	19326	57.32	128	1.80	31	16018	47.51	128	2.10	36	13729	40.72	128	2.60	45	11187	33.18	128	3.00	58	8756	25.70	116	2.15	GR179 GRF179							4P	63	10834			23.32			116			1.95	GR169 GRF169	4P	63	7945	23.32	116	2.65	74	6845	20.09	105	3.55	88			5751	16.88	105					4.70	25	19774					58.65	114	0.85	GR169 GRF169	4P			60	11296	24.57	114	1.20	GR169 GRF169	4P	29	17451	51.76	114	1.00	33	15128	44.87	114	1.15	37	13459	39.92	114			1.25	43	11601	34.41	114			1.45	53			9427	27.96	114	1.80	62			7994	23.71			114	2.10	60	8284	24.57			114	1.60	GR169 GRF169	4P	68	10046	21.85	114			1.25	GR149 GRF149	4P	68	7367			21.85	114	1.65	78	6416	19.03			114	2.40	87	5725	16.98			114	2.50	102	4882	14.48	114			3.50	123	4042	11.99	114			4.00	32	15728	46.65	25			0.80	GR149 GRF149	4P	72	9397			20.44	65	1.20	GR149 GRF149	4P	37	13584	40.29	55	0.90			42	12016	35.64	60	1.00			49	10098	29.95	63	1.20	61	8156	24.19	66	1.40					72	6891	20.44	68			1.65			82	6082	18.04	68	1.65	95	5273	15.64	69	2.30	GR149 GRF149			4P	82	8294	18.04	66			1.20	GR149 GRF149	4P	106	4690	13.91	69			2.50	123	4042	11.99	70			3.00	152			3284	9.74	70	3.80	204			2444	7.25	70	3.40			251	1986	5.89			69	4.10	78	6419	19.04			45	1.20	GR149 GRF149	4P	95	7191	15.64	67	1.70	GR149 GRF149	4P	88	5664	16.80	46			1.35			102	4892			14.51			46	1.55	115	4326			12.83	47	1.75	137	3638	10.79	46	2.10	170	2937	8.71	46	2.50	195			2559			7.59			46	1.90	GR179 GRF179	4P	106			6395	13.91	68	1.85	GR179 GRF179	4P	232	2151	6.38	45	2.20	287	1736	5.15	43	2.50	37			21876	39.92	114			0.80	GR179 GRF179	4P	43			18857	34.41	114	0.90	53			15322	27.96	114	1.10	63	12993	23.71	114	1.30	61	13464	24.57	114	1.00	68	11974	21.85			114	1.00	78			10429	19.03	114	1.45	GR179 GRF179	4P	74	11125	20.09	116	2.20	GR179 GRF179	4P	88	9348	16.88	105	2.90	102	8096	14.62	105	3.10	122	6745	12.18	98	4.45	37	21876			39.92	114	0.80	GR169 GRF169	4P	43	18857	34.41	114	0.90	53	15322	27.96	114	1.10	63	12993	23.71	114	1.30	61	13464	24.57	114	1.00	68	11974	21.85	114	1.00	78	10429	19.03	114	1.45	GR169 GRF169	4P	88	9305	16.98	114	1.50	103	7935	14.48	111	2.10	124	6571	11.99	108	2.40	146	5612	10.24	105	2.90																																																										
865	484	1.71	4.3	1.40			1028	408	1.44	4.6	1.55			55kW							90kW							12	40411	119.86	128	0.90	GR179 GRF179	4P	58	11940	25.70			116	1.55	GR179 GRF179			4P	14					36129					107.16			128			1.00	16	30897	91.64	128	1.15	19	25610	75.96	128	1.30	22	22596	67.02	128	1.60	26	19326	57.32	128	1.80	31	16018	47.51	128	2.10	36	13729	40.72	128	2.60	45	11187	33.18	128	3.00	58	8756	25.70	116	2.15	GR179 GRF179				4P	63				10834	23.32	116	1.95	GR169 GRF169			4P			63			7945	23.32	116	2.65	74	6845	20.09	105	3.55	88	5751			16.88	105	4.70					25	19774	58.65					114	0.85	GR169 GRF169					4P	60	11296	24.57	114			1.20	GR169 GRF169	4P	29	17451	51.76	114	1.00	33	15128	44.87	114	1.15	37			13459	39.92	114	1.25	43			11601	34.41			114	1.45	53	9427	27.96			114	1.80			62	7994	23.71	114	2.10			60	8284			24.57	114	1.60	GR169 GRF169			4P			68	10046			21.85	114	1.25	GR149 GRF149	4P	68			7367	21.85	114	1.65	78			6416	19.03	114	2.40	87	5725			16.98	114	2.50	102	4882			14.48	114	3.50	123	4042			11.99			114	4.00			32	15728	46.65			25	0.80	GR149 GRF149	4P	72			9397	20.44	65	1.20	GR149 GRF149			4P	37	13584	40.29	55	0.90	42	12016	35.64	60					1.00	49	10098	29.95			63			1.20	61	8156	24.19	66	1.40	72	6891	20.44	68					1.65	82	6082	18.04			68			1.65	95	5273	15.64			69	2.30	GR149 GRF149	4P	82			8294	18.04			66	1.20	GR149 GRF149	4P	106			4690	13.91	69	2.50			123	4042	11.99			70	3.00	152	3284	9.74			70	3.80			204	2444	7.25	70	3.40			251	1986	5.89	69			4.10			78	6419			19.04			45	1.20	GR149 GRF149	4P			95	7191	15.64	67	1.70	GR149 GRF149	4P	88	5664	16.80	46	1.35	102	4892			14.51			46			1.55	115			4326			12.83	47	1.75	137			3638	10.79	46	2.10	170	2937	8.71	46	2.50	195	2559			7.59	46	1.90			GR179 GRF179			4P			106	6395	13.91	68	1.85			GR179 GRF179	4P	232	2151	6.38	45	2.20	287	1736	5.15	43	2.50	37	21876	39.92	114	0.80			GR179 GRF179	4P	43			18857	34.41	114	0.90			53	15322	27.96	114	1.10			63	12993	23.71	114	1.30	61	13464	24.57	114	1.00	68	11974	21.85	114	1.00	78	10429			19.03	114	1.45			GR179 GRF179	4P	74	11125	20.09	116	2.20	GR179 GRF179	4P	88	9348	16.88	105	2.90	102	8096	14.62	105	3.10	122	6745	12.18	98	4.45	37	21876	39.92	114	0.80	GR169 GRF169			4P	43	18857	34.41	114	0.90	53	15322	27.96	114	1.10	63	12993	23.71	114	1.30	61	13464	24.57	114	1.00	68	11974	21.85	114	1.00	78	10429	19.03	114	1.45	GR169 GRF169	4P	88	9305	16.98	114	1.50	103	7935	14.48	111	2.10	124	6571	11.99	108	2.40	146	5612	10.24	105	2.90																									
1028	408	1.44	4.6	1.55			55kW							90kW							12	40411	119.86	128	0.90	GR179 GRF179	4P	58	11940	25.70	116	1.55			GR179 GRF179	4P	14			36129	107.16					128					1.00					16			30897			91.64	128	1.15	19	25610	75.96	128	1.30	22	22596	67.02	128	1.60	26	19326	57.32	128	1.80	31	16018	47.51	128	2.10	36	13729	40.72	128	2.60	45	11187	33.18	128	3.00	58	8756	25.70	116	2.15	GR179 GRF179	4P	63				10834		23.32	116			1.95	GR169 GRF169	4P	63		7945	23.32				116			2.65	74	6845	20.09	105	3.55	88	5751	16.88	105	4.70			25	19774	58.65					114	0.85	GR169 GRF169					4P	60							11296	24.57	114	1.20			GR169 GRF169			4P	29	17451	51.76	114	1.00	33	15128	44.87	114	1.15			37	13459	39.92	114	1.25			43	11601			34.41	114	1.45	53	9427			27.96	114			1.80	62	7994	23.71	114			2.10	60			8284	24.57	114							1.60	GR169 GRF169			4P	68	10046			21.85			114	1.25	GR149 GRF149	4P	68			7367	21.85	114	1.65	78	6416			19.03	114	2.40	87	5725			16.98	114	2.50	102	4882			14.48			114	3.50			123	4042	11.99			114	4.00			32			15728	46.65	25	0.80					GR149 GRF149	4P	72	9397	20.44	65	1.20	GR149 GRF149	4P					37	13584	40.29	55			0.90			42	12016	35.64	60	1.00	49	10098	29.95	63	1.20					61	8156	24.19	66			1.40			72	6891	20.44	68			1.65	82			6082			18.04	68			1.65	95			5273			15.64	69	2.30	GR149 GRF149			4P	82	8294			18.04	66	1.20	GR149 GRF149	4P			106	4690			13.91	69	2.50	123	4042			11.99	70	3.00	152			3284			9.74	70			3.80			204	2444					7.25	70	3.40	251	1986			5.89	69	4.10	78	6419	19.04	45			1.20			GR149 GRF149			4P	95			7191			15.64	67	1.70	GR149 GRF149			4P	88	5664	16.80	46	1.35	102	4892	14.51	46	1.55			115	4326	12.83									47	1.75	137	3638	10.79					46	2.10	170	2937	8.71	46	2.50	195	2559	7.59	46	1.90	GR179 GRF179	4P	106					6395			13.91	68	1.85	GR179 GRF179			4P	232	2151	6.38	45			2.20	287	1736	5.15	43	2.50	37	21876	39.92	114	0.80	GR179 GRF179	4P	43	18857	34.41	114			0.90	53	15322					27.96	114	1.10	63	12993			23.71	114	1.30	61	13464	24.57	114	1.00	68	11974	21.85	114	1.00	78	10429	19.03	114	1.45	GR179 GRF179	4P					74	11125	20.09	116	2.20	GR179 GRF179	4P	88	9348	16.88	105	2.90	102	8096	14.62	105	3.10	122	6745	12.18	98	4.45	37	21876	39.92	114	0.80	GR169 GRF169	4P	43			18857	34.41	114	0.90	53	15322	27.96	114	1.10	63	12993	23.71	114	1.30	61	13464	24.57	114	1.00	68	11974	21.85	114	1.00	78	10429	19.03	114	1.45	GR169 GRF169	4P	88	9305	16.98	114	1.50	103	7935	14.48	111	2.10	124	6571	11.99	108
55kW							90kW																																																																																																																																																																																																																																																																																																																																																																																																																																																																																																																																																																																																																																																																	
12	40411	119.86	128	0.90	GR179 GRF179	4P	58	11940	25.70	116	1.55	GR179 GRF179	4P																																																																																																																																																																																																																																																																																																																																																																																																																																																																																																																																																																																																																																																											
14	36129	107.16	128	1.00			16	30897	91.64	128	1.15			19	25610	75.96	128	1.30	22	22596	67.02	128	1.60	26	19326			57.32	128	1.80	31	16018					47.51			128	2.10					36		13729	40.72		128		2.60	45		11187	33.18	128	3.00	58	8756	25.70	116	2.15	GR179 GRF179	4P	63	10834	23.32	116	1.95	GR169 GRF169	4P	63	7945	23.32	116	2.65	74	6845	20.09	105	3.55	88	5751	16.88	105	4.70	25	19774	58.65	114	0.85	GR169 GRF169	4P	60	11296	24.57	114			1.20	GR169 GRF169	4P	29	17451	51.76	114	1.00	33	15128	44.87			114	1.15	37	13459	39.92	114	1.25	43	11601	34.41	114	1.45	53	9427	27.96	114	1.80	62	7994	23.71	114	2.10	60	8284	24.57	114	1.60	GR169 GRF169	4P	68	10046	21.85				114	1.25		GR149 GRF149							4P	68	7367	21.85							114	1.65	78	6416	19.03	114	2.40	87	5725	16.98	114	2.50	102	4882	14.48	114	3.50	123	4042	11.99	114	4.00	32	15728	46.65	25	0.80	GR149 GRF149	4P	72	9397	20.44			65	1.20	GR149 GRF149	4P	37			13584	40.29			55	0.90	42		12016	35.64				60		1.00	49		10098	29.95			63	1.20	61	8156	24.19			66	1.40	72	6891	20.44	68	1.65	82	6082			18.04	68	1.65	95	5273			15.64	69	2.30	GR149 GRF149	4P	82	8294	18.04			66	1.20	GR149 GRF149	4P	106	4690	13.91			69	2.50			123	4042	11.99	70	3.00	152	3284		9.74	70				3.80	204	2444	7.25	70				3.40	251		1986	5.89	69	4.10	78	6419	19.04			45	1.20	GR149 GRF149	4P	95	7191	15.64	67	1.70	GR149 GRF149		4P	88		5664	16.80	46	1.35	102	4892	14.51			46	1.55	115	4326	12.83	47	1.75	137			3638	10.79	46	2.10	170			2937	8.71			46			2.50	195	2559		7.59	46		1.90	GR179 GRF179	4P	106	6395	13.91	68			1.85	GR179 GRF179	4P	232			2151	6.38	45	2.20	287			1736	5.15	43	2.50	37	21876	39.92	114	0.80	GR179 GRF179	4P			43	18857	34.41	114	0.90					53	15322	27.96	114	1.10			63	12993	23.71	114	1.30	61	13464	24.57	114	1.00				68	11974		21.85			114	1.00	78	10429	19.03	114					1.45	GR179 GRF179	4P	74	11125	20.09	116	2.20	GR179 GRF179	4P	88	9348	16.88	105	2.90	102	8096							14.62	105	3.10	122	6745					12.18	98	4.45	37	21876	39.92	114	0.80	GR169 GRF169	4P	43	18857			34.41	114	0.90			53			15322	27.96	114					1.10	63	12993	23.71			114	1.30	61	13464	24.57	114	1.00	68	11974	21.85	114			1.00	78	10429	19.03			114	1.45	GR169 GRF169					4P	88	9305	16.98	114			1.50	103	7935	14.48	111	2.10	124	6571	11.99	108	2.40	146	5612	10.24	105	2.90																																																																																					
16	30897	91.64	128	1.15			19	25610	75.96	128	1.30			22	22596	67.02	128	1.60	26	19326	57.32	128	1.80	31	16018			47.51	128	2.10	36	13729					40.72			128	2.60		45	11187		33.18		128	3.00		58	8756	25.70	116	2.15	GR179 GRF179	4P	63	10834	23.32	116	1.95	GR169 GRF169	4P			63	7945	23.32	116	2.65			74	6845	20.09	105	3.55	88	5751	16.88	105	4.70	25	19774	58.65	114	0.85	GR169 GRF169	4P	60	11296	24.57			114	1.20	GR169 GRF169	4P	29	17451	51.76			114	1.00	33	15128	44.87	114	1.15	37	13459	39.92	114	1.25	43	11601	34.41	114	1.45	53	9427	27.96	114	1.80	62	7994	23.71	114	2.10	60	8284	24.57	114	1.60	GR169 GRF169	4P	68	10046	21.85			114	1.25	GR149 GRF149		4P	68	7367	21.85						114	1.65			78	6416	19.03							114	2.40	87	5725	16.98	114	2.50	102	4882	14.48	114	3.50	123	4042	11.99	114	4.00	32	15728	46.65	25	0.80	GR149 GRF149	4P	72	9397	20.44			65	1.20	GR149 GRF149	4P	37	13584	40.29			55	0.90	42	12016	35.64			60	1.00	49		10098	29.95				63		1.20	61		8156	24.19			66	1.40	72	6891	20.44			68	1.65	82	6082	18.04	68	1.65	95	5273	15.64	69	2.30	GR149 GRF149	4P	82	8294	18.04	66	1.20	GR149 GRF149	4P			106	4690	13.91			69	2.50			123	4042	11.99			70	3.00			152	3284	9.74	70	3.80	204	2444		7.25	70				3.40	251	1986	5.89	69			4.10	78	6419	19.04	45	1.20	GR149 GRF149	4P	95	7191	15.64	67	1.70	GR149 GRF149	4P			88	5664	16.80	46	1.35				102		4892	14.51	46	1.55	115	4326	12.83			47	1.75	137	3638	10.79	46	2.10	170			2937	8.71	46	2.50	195	2559	7.59	46	1.90			GR179 GRF179	4P	106	6395	13.91	68		1.85	GR179 GRF179		4P			232	2151	6.38	45			2.20			287			1736	5.15	43	2.50	37			21876	39.92	114	0.80	GR179 GRF179	4P	43	18857	34.41			114	0.90	53	15322	27.96	114	1.10			63	12993	23.71	114	1.30	61	13464			24.57	114	1.00	68	11974	21.85	114	1.00	78	10429	19.03	114		1.45	GR179 GRF179		4P			74	11125	20.09	116	2.20	GR179 GRF179					4P			88	9348	16.88	105	2.90			102	8096	14.62	105	3.10	122	6745					12.18	98	4.45	37	21876	39.92	114	0.80	GR169 GRF169			4P	43	18857	34.41	114	0.90	53	15322			27.96	114			1.10	63	12993			23.71	114	1.30	61	13464	24.57					114	1.00	68	11974			21.85	114	1.00	78	10429	19.03	114	1.45	GR169 GRF169	4P	88			9305	16.98	114	1.50	103	7935	14.48	111							2.10	124	6571	11.99			108	2.40	146	5612	10.24	105	2.90																																																																																														
19	25610	75.96	128	1.30			22	22596	67.02	128	1.60			26	19326	57.32	128	1.80	31	16018	47.51	128	2.10	36	13729			40.72	128	2.60	45	11187					33.18	128	3.00	58	8756		25.70	116		2.15	GR179 GRF179	4P	63	10834	23.32	116	1.95	GR169 GRF169	4P			63	7945	23.32	116	2.65					74	6845	20.09	105	3.55			88	5751	16.88	105	4.70	25	19774	58.65	114	0.85	GR169 GRF169	4P	60	11296	24.57			114	1.20	GR169 GRF169			4P	29			17451	51.76	114			1.00	33	15128	44.87	114	1.15	37	13459	39.92	114	1.25	43	11601	34.41	114	1.45	53	9427	27.96	114	1.80	62	7994	23.71	114	2.10	60	8284	24.57	114	1.60	GR169 GRF169			4P	68	10046			21.85	114				1.25	GR149 GRF149	4P				68	7367	21.85	114			1.65	78	6416	19.03	114					2.40	87	5725	16.98	114	2.50	102	4882	14.48	114	3.50	123	4042	11.99	114	4.00	32	15728	46.65	25	0.80	GR149 GRF149			4P	72	9397			20.44	65			1.20	GR149 GRF149	4P			37	13584	40.29	55	0.90	42	12016	35.64	60	1.00		49	10098		29.95	63	1.20		61	8156		24.19	66			1.40	72	6891	20.44	68			1.65	82	6082	18.04	68	1.65	95	5273	15.64	69	2.30	GR149 GRF149			4P	82	8294	18.04	66					1.20	GR149 GRF149	4P	106	4690	13.91	69			2.50	123	4042	11.99	70	3.00	152			3284	9.74	70	3.80	204	2444	7.25		70	3.40				251	1986	5.89	69	4.10			78	6419	19.04	45	1.20	GR149 GRF149			4P	95	7191	15.64	67					1.70	GR149 GRF149	4P	88	5664		16.80		46	1.35	102	4892	14.51	46	1.55	115	4326	12.83	47	1.75	137	3638	10.79	46	2.10	170	2937			8.71	46	2.50	195	2559	7.59	46	1.90	GR179 GRF179					4P	106	6395	13.91		68						1.85	GR179 GRF179	4P	232			2151			6.38	45	2.20	287	1736	5.15	43	2.50	37	21876	39.92	114	0.80	GR179 GRF179			4P	43	18857			34.41	114	0.90	53	15322	27.96	114			1.10	63	12993	23.71	114	1.30	61			13464	24.57	114	1.00	68	11974	21.85	114	1.00	78	10429	19.03		114				1.45	GR179 GRF179	4P	74	11125	20.09	116			2.20	GR179 GRF179					4P	88	9348	16.88	105			2.90	102	8096	14.62	105	3.10	122		6745	12.18		98	4.45	37	21876	39.92	114	0.80	GR169 GRF169					4P	43	18857	34.41	114	0.90	53			15322	27.96			114	1.10	63			12993	23.71	114	1.30	61	13464		24.57	114		1.00	68	11974	21.85	114	1.00	78	10429	19.03	114	1.45	GR169 GRF169	4P	88			9305			16.98	114	1.50	103	7935	14.48	111	2.10		124	6571				11.99	108	2.40	146			5612	10.24	105	2.90																																																																																																	
22	22596	67.02	128	1.60			26	19326	57.32	128	1.80			31	16018	47.51	128	2.10	36	13729	40.72	128	2.60	45	11187			33.18	128	3.00	58	8756	25.70	116			2.15	GR179 GRF179	4P	63	10834	23.32	116	1.95	GR169 GRF169	4P			63	7945	23.32	116	2.65					74	6845	20.09	105	3.55					88	5751	16.88	105	4.70			25	19774	58.65	114	0.85	GR169 GRF169	4P	60	11296	24.57			114	1.20	GR169 GRF169			4P	29					17451			51.76	114	1.00			33	15128	44.87	114	1.15	37	13459	39.92	114	1.25	43	11601	34.41	114	1.45	53	9427	27.96	114	1.80	62	7994	23.71	114	2.10	60	8284	24.57	114	1.60	GR169 GRF169					4P	68			10046	21.85				114					1.25	GR149 GRF149	4P	68	7367	21.85		114	1.65	78	6416	19.03		114	2.40		87	5725	16.98	114	2.50	102	4882	14.48	114	3.50	123	4042	11.99	114	4.00	32	15728	46.65	25	0.80	GR149 GRF149					4P	72			9397	20.44			65					1.20	GR149 GRF149	4P	37	13584	40.29	55	0.90	42	12016	35.64	60	1.00	49	10098	29.95	63		1.20	61		8156	24.19	66	1.40	72	6891	20.44	68	1.65			82	6082	18.04	68	1.65	95	5273	15.64	69	2.30	GR149 GRF149					4P	82	8294	18.04					66			1.20	GR149 GRF149	4P	106			4690	13.91	69	2.50	123	4042	11.99	70	3.00	152	3284	9.74	70	3.80	204	2444	7.25	70	3.40	251			1986	5.89	69	4.10	78			6419	19.04	45	1.20	GR149 GRF149					4P	95	7191	15.64					67			1.70	GR149 GRF149		4P		88	5664	16.80	46	1.35	102	4892	14.51	46	1.55	115	4326	12.83	47	1.75	137	3638	10.79	46	2.10	170	2937	8.71	46	2.50	195	2559	7.59	46		1.90	GR179 GRF179				4P	106	6395		13.91						68			1.85			GR179 GRF179			4P	232	2151	6.38	45	2.20	287	1736	5.15	43	2.50	37	21876					39.92	114			0.80	GR179 GRF179	4P	43	18857	34.41	114	0.90	53	15322	27.96	114	1.10	63	12993	23.71	114	1.30	61	13464	24.57	114	1.00	68	11974	21.85	114	1.00	78	10429		19.03				114			1.45	GR179 GRF179	4P	74			11125							20.09	116	2.20	GR179 GRF179			4P	88	9348	16.88	105	2.90	102	8096	14.62	105	3.10	122	6745	12.18	98	4.45	37	21876			39.92	114			0.80	GR169 GRF169	4P	43	18857	34.41			114	0.90			53	15322	27.96	114	1.10	63	12993	23.71	114	1.30	61		13464	24.57		114	1.00	68	11974	21.85	114	1.00	78	10429	19.03	114			1.45			GR169 GRF169			4P	88	9305	16.98	114	1.50	103	7935		14.48	111	2.10	124		6571	11.99	108	2.40	146	5612	10.24	105	2.90																																																																																																		
26	19326	57.32	128	1.80			31	16018	47.51	128	2.10			36	13729	40.72	128	2.60	45	11187	33.18	128	3.00	58	8756	25.70	116	2.15	GR179 GRF179	4P	63	10834	23.32	116	1.95	GR169 GRF169	4P			63	7945	23.32	116	2.65					74	6845	20.09	105	3.55					88	5751	16.88	105	4.70			25	19774	58.65	114	0.85	GR169 GRF169	4P	60	11296	24.57	114	1.20	GR169 GRF169	4P			29	17451	51.76			114	1.00					33					15128			44.87	114	1.15			37	13459	39.92	114	1.25	43	11601	34.41	114	1.45	53	9427	27.96	114	1.80	62	7994	23.71	114	2.10	60	8284	24.57	114	1.60	GR169 GRF169	4P	68	10046	21.85							114			1.25	GR149 GRF149		4P		68			7367		21.85			114	1.65	78		6416	19.03	114	2.40	87	5725	16.98	114	2.50	102	4882	14.48	114	3.50	123	4042	11.99	114	4.00	32	15728	46.65	25	0.80	GR149 GRF149	4P	72	9397	20.44							65			1.20	GR149 GRF149			4P					37			13584	40.29	55	0.90	42	12016	35.64	60	1.00	49	10098	29.95	63	1.20	61	8156	24.19	66	1.40	72	6891	20.44	68	1.65	82	6082	18.04	68	1.65	95	5273	15.64	69	2.30	GR149 GRF149	4P	82	8294	18.04							66	1.20	GR149 GRF149					4P			106			4690			13.91	69	2.50	123	4042	11.99	70	3.00	152	3284	9.74	70	3.80	204	2444	7.25	70	3.40	251	1986	5.89	69	4.10	78	6419	19.04	45	1.20	GR149 GRF149	4P	95	7191	15.64							67	1.70	GR149 GRF149					4P			88					5664	16.80	46	1.35	102	4892	14.51	46	1.55	115	4326	12.83	47	1.75	137	3638	10.79	46	2.10	170	2937	8.71	46	2.50	195	2559	7.59	46	1.90		GR179 GRF179						4P	106	6395	13.91		68				1.85			GR179 GRF179	4P	232					2151	6.38	45	2.20	287	1736	5.15	43	2.50	37	21876	39.92					114	0.80			GR179 GRF179			4P	43	18857	34.41	114	0.90	53	15322	27.96	114	1.10	63	12993	23.71	114	1.30	61	13464	24.57	114	1.00	68	11974	21.85	114	1.00	78	10429	19.03		114		1.45			GR179 GRF179			4P		74	11125		20.09					116	2.20	GR179 GRF179					4P	88	9348	16.88	105	2.90	102	8096	14.62	105	3.10	122	6745	12.18	98	4.45	37			21876	39.92			114			0.80	GR169 GRF169	4P			43	18857	34.41	114	0.90	53	15322	27.96	114	1.10	63	12993	23.71	114	1.30	61	13464	24.57	114	1.00	68	11974	21.85	114	1.00	78	10429	19.03	114	1.45			GR169 GRF169				4P	88		9305	16.98	114	1.50	103	7935	14.48		111	2.10	124	6571		11.99	108	2.40	146	5612	10.24	105	2.90																																																																																																			
31	16018	47.51	128	2.10			36	13729	40.72	128	2.60			45	11187	33.18	128	3.00	58	8756	25.70	116	2.15	GR179 GRF179	4P	63	10834	23.32			116	1.95	GR169 GRF169	4P	63					7945	23.32	116	2.65	74					6845	20.09	105	3.55	88			5751	16.88	105	4.70	25	19774	58.65	114	0.85	GR169 GRF169	4P	60	11296	24.57			114	1.20	GR169 GRF169	4P	29					17451	51.76	114			1.00	33					15128					44.87			114	1.15	37			13459	39.92	114	1.25	43	11601	34.41	114	1.45	53	9427	27.96	114	1.80	62	7994	23.71	114	2.10	60	8284	24.57	114	1.60	GR169 GRF169			4P	68	10046							21.85			114					1.25			GR149 GRF149		4P			68	7367	21.85		114	1.65	78	6416	19.03	114	2.40	87	5725	16.98	114	2.50	102	4882	14.48	114	3.50	123	4042	11.99	114	4.00	32	15728			46.65	25	0.80							GR149 GRF149			4P									72			9397	20.44	65	1.20	GR149 GRF149	4P	37	13584	40.29	55	0.90	42	12016	35.64	60	1.00	49	10098	29.95	63	1.20	61	8156	24.19	66	1.40	72	6891	20.44	68	1.65	82	6082	18.04			68	1.65	95							5273	15.64									69			2.30			GR149 GRF149	4P	82	8294	18.04	66	1.20	GR149 GRF149	4P	106	4690	13.91	69	2.50	123	4042	11.99	70	3.00	152	3284	9.74	70	3.80	204	2444	7.25	70			3.40	251	1986							5.89	69									4.10					78	6419	19.04	45	1.20	GR149 GRF149	4P	95	7191	15.64	67	1.70	GR149 GRF149	4P	88	5664	16.80	46	1.35	102	4892	14.51	46	1.55	115	4326	12.83	47	1.75									137	3638	10.79		46				2.10					170					2937	8.71	46	2.50	195	2559	7.59	46	1.90	GR179 GRF179	4P	106					6395	13.91							68	1.85	GR179 GRF179	4P	232	2151	6.38	45	2.20	287	1736	5.15	43	2.50	37	21876	39.92	114	0.80	GR179 GRF179	4P	43	18857	34.41	114	0.90	53	15322		27.96		114								1.10	63		12993					23.71	114							1.30	61	13464	24.57	114	1.00	68	11974	21.85	114	1.00	78	10429	19.03	114	1.45			GR179 GRF179	4P			74			11125					20.09	116	2.20	GR179 GRF179	4P	88	9348	16.88	105	2.90	102	8096	14.62	105	3.10	122	6745	12.18	98	4.45	37	21876	39.92	114	0.80	GR169 GRF169	4P	43	18857	34.41								114		0.90	53	15322	27.96	114	1.10	63		12993	23.71	114	1.30		61	13464	24.57	114	1.00	68	11974	21.85	114	1.00	78	10429	19.03	114	1.45	GR169 GRF169	4P	88	9305	16.98	114	1.50	103	7935	14.48	111	2.10	124	6571	11.99	108	2.40	146	5612	10.24	105	2.90																																																																						
36	13729	40.72	128	2.60	45	11187	33.18	128	3.00	58	8756	25.70	116	2.15	GR179 GRF179	4P	63	10834	23.32	116	1.95	GR169 GRF169	4P			63	7945	23.32			116	2.65			74					6845	20.09	105	3.55	88			5751	16.88	105	4.70	25	19774	58.65	114	0.85	GR169 GRF169	4P	60	11296	24.57	114	1.20	GR169 GRF169	4P			29	17451	51.76			114	1.00			33					15128	44.87	114			1.15	37					13459					39.92			114	1.25	43			11601	34.41	114	1.45	53	9427	27.96	114	1.80	62	7994	23.71	114	2.10	60	8284	24.57	114	1.60	GR169 GRF169	4P	68	10046	21.85					114	1.25							GR149 GRF149			4P					68								7367	21.85	114		1.65	78	6416	19.03	114	2.40	87	5725	16.98	114	2.50	102	4882	14.48	114	3.50	123	4042	11.99	114	4.00	32	15728	46.65			25	0.80	GR149 GRF149																			4P			72	9397	20.44	65			1.20	GR149 GRF149	4P	37	13584	40.29	55	0.90	42	12016	35.64	60	1.00	49	10098	29.95	63	1.20	61	8156	24.19	66	1.40	72	6891	20.44	68	1.65			82	6082	18.04							68	1.65									95			5273					15.64	69	2.30	GR149 GRF149	4P			82	8294	18.04	66	1.20	GR149 GRF149	4P	106	4690	13.91	69	2.50	123	4042	11.99	70	3.00	152	3284			9.74	70	3.80							204	2444									7.25					70	3.40	251	1986	5.89			69	4.10	78	6419	19.04			45	1.20	GR149 GRF149	4P	95	7191	15.64	67	1.70	GR149 GRF149	4P	88	5664	16.80	46									1.35	102	4892		14.51				46					1.55					115	4326	12.83	47	1.75	137	3638	10.79	46			2.10					170	2937							8.71	46			2.50	195	2559	7.59	46	1.90	GR179 GRF179	4P	106	6395	13.91	68	1.85	GR179 GRF179	4P			232	2151	6.38	45	2.20	287	1736		5.15		43								2.50	37		21876					39.92	114							0.80	GR179 GRF179	4P	43	18857	34.41	114	0.90	53	15322	27.96	114	1.10	63	12993	23.71							114			1.30					61	13464	24.57			114	1.00	68	11974	21.85	114	1.00	78	10429	19.03	114	1.45	GR179 GRF179	4P	74	11125	20.09	116	2.20	GR179 GRF179			4P	88	9348								16.88		105	2.90	102	8096	14.62	105	3.10		122	6745	12.18	98		4.45	37	21876	39.92	114	0.80	GR169 GRF169	4P	43	18857	34.41	114	0.90	53	15322			27.96	114	1.10	63	12993	23.71	114	1.30	61	13464	24.57	114	1.00	68	11974	21.85	114	1.00	78	10429	19.03	114	1.45	GR169 GRF169	4P	88	9305	16.98	114	1.50	103	7935	14.48	111	2.10	124	6571	11.99	108	2.40	146	5612	10.24	105	2.90																																													
45	11187	33.18	128	3.00	58	8756	25.70	116	2.15	GR179 GRF179	4P	63	10834	23.32			116	1.95	GR169 GRF169	4P	63					7945	23.32	116			2.65	74			6845			20.09	105	3.55	88	5751	16.88	105	4.70	25	19774	58.65	114	0.85	GR169 GRF169	4P	60	11296	24.57			114	1.20	GR169 GRF169	4P	29					17451	51.76	114			1.00	33			15128					44.87	114	1.15			37	13459					39.92		114	1.25		43			11601	34.41	114	1.45	53	9427	27.96	114	1.80	62	7994	23.71	114	2.10	60	8284	24.57	114	1.60	GR169 GRF169	4P	68	10046	21.85			114	1.25	GR149 GRF149					4P	68								7367	21.85						114				1.65				78	6416	19.03	114	2.40	87	5725	16.98	114	2.50	102	4882	14.48	114	3.50	123	4042	11.99	114	4.00	32	15728	46.65	25	0.80	GR149 GRF149	4P	72			9397	20.44									65	1.20								GR149 GRF149	4P				37	13584	40.29	55			0.90			42	12016	35.64	60	1.00	49	10098	29.95	63	1.20	61	8156	24.19	66	1.40	72	6891	20.44	68	1.65	82	6082	18.04	68	1.65			95	5273	15.64							69	2.30				GR149 GRF149	4P				82			8294	18.04	66			1.20	GR149 GRF149	4P					106	4690	13.91	69	2.50			123	4042	11.99	70	3.00	152	3284	9.74	70	3.80	204	2444			7.25	70	3.40							251	1986				5.89	69				4.10		78		6419	19.04	45	1.20	GR149 GRF149	4P			95	7191	15.64	67	1.70			GR149 GRF149	4P			88	5664	16.80	46	1.35			102	4892	14.51	46									1.55	115	4326		12.83		47	1.75	137					3638		10.79	46		2.10	170	2937	8.71	46	2.50	195	2559	7.59			46					1.90	GR179 GRF179	4P	106					6395	13.91			68	1.85	GR179 GRF179	4P	232	2151			6.38	45	2.20	287	1736					5.15	43	2.50	37	21876	39.92	114		0.80		GR179 GRF179								4P	43		18857		34.41	114		0.90	53			15322	27.96			114			1.10	63	12993	23.71	114	1.30	61	13464	24.57	114	1.00	68	11974							21.85			114			1.00	78	10429	19.03	114			1.45	GR179 GRF179	4P	74	11125	20.09	116	2.20	GR179 GRF179	4P	88	9348			16.88	105	2.90	102	8096					14.62	105								3.10		122	6745	12.18	98	4.45	37	21876	39.92	114	0.80	GR169 GRF169	4P	43	18857	34.41	114	0.90	53	15322			27.96	114	1.10	63	12993	23.71	114			1.30	61	13464	24.57	114	1.00	68	11974	21.85	114	1.00	78	10429	19.03	114	1.45	GR169 GRF169	4P	88	9305	16.98	114	1.50			103	7935	14.48	111	2.10	124	6571	11.99	108	2.40	146	5612	10.24	105	2.90																																																		
58	8756	25.70	116	2.15	GR179 GRF179	4P	63	10834	23.32			116	1.95	GR169 GRF169			4P																																																																																																																																																																																																																																																																																																																																																																																																																																																																																																																																																																																																																																																							
63	7945	23.32	116	2.65			74	6845	20.09			105	3.55					88			5751			16.88	105	4.70	25	19774	58.65	114	0.85	GR169 GRF169	4P	60	11296	24.57	114	1.20	GR169 GRF169	4P	29	17451	51.76	114	1.00	33	15128	44.87	114	1.15			37	13459	39.92			114	1.25			43					11601	34.41	114			1.45	53			9427					27.96	114	1.80	62	7994	23.71	114		2.10	60		8284	24.57	114	1.60	GR169 GRF169	4P	68	10046	21.85	114	1.25	GR149 GRF149	4P	68	7367	21.85	114	1.65	78	6416	19.03	114	2.40	87	5725	16.98	114			2.50	102	4882			14.48	114							3.50		123	4042	11.99	114			4.00	32			15728		46.65	25	0.80	GR149 GRF149		4P				72	9397	20.44	65	1.20	GR149 GRF149	4P	37	13584	40.29	55	0.90	42	12016	35.64	60	1.00	49	10098	29.95	63	1.20	61	8156	24.19			66			1.40	72			6891	20.44	68	1.65			82	6082			18.04	68		1.65	95						5273	15.64	69	2.30			GR149 GRF149			4P	82	8294	18.04	66	1.20	GR149 GRF149	4P	106	4690	13.91	69	2.50	123	4042	11.99	70	3.00	152	3284	9.74	70	3.80	204	2444			7.25	70	3.40		251	1986	5.89	69		4.10	78		6419	19.04				45	1.20	GR149 GRF149			4P	95	7191			15.64							67	1.70	GR149 GRF149	4P	88			5664	16.80	46	1.35	102	4892	14.51	46	1.55	115	4326	12.83			47	1.75	137		3638	10.79	46	2.10		170	2937		8.71	46	2.50	195		2559	7.59	46		1.90		GR179 GRF179	4P	106	6395					13.91	68	1.85	GR179 GRF179	4P							232	2151	6.38	45	2.20			287	1736	5.15	43	2.50			37	21876	39.92			114	0.80	GR179 GRF179	4P	43	18857	34.41	114	0.90	53	15322			27.96		114	1.10		63	12993	23.71	114	1.30	61	13464	24.57	114			1.00	68	11974	21.85	114	1.00			78					10429	19.03			114	1.45			GR179 GRF179	4P			74	11125	20.09	116	2.20					GR179 GRF179	4P	88	9348	16.88	105	2.90	102	8096	14.62		105	3.10					122		6745	12.18	98	4.45	37	21876	39.92	114	0.80			GR169 GRF169	4P			43			18857	34.41	114	0.90	53	15322	27.96	114	1.10	63	12993	23.71	114	1.30	61			13464	24.57	114			1.00			68	11974	21.85	114	1.00			78			10429	19.03	114	1.45	GR169 GRF169			4P	88			9305	16.98	114	1.50	103					7935	14.48	111	2.10		124	6571			11.99		108	2.40	146	5612	10.24	105	2.90																																																																																																																	
74	6845	20.09	105	3.55			88	5751	16.88			105	4.70		25	19774		58.65			114	0.85	GR169 GRF169	4P	60	11296	24.57	114	1.20	GR169 GRF169	4P			29	17451	51.76	114	1.00			33	15128	44.87	114	1.15	37	13459	39.92	114	1.25			43	11601	34.41			114	1.45			53					9427	27.96	114			1.80	62			7994			23.71	114	2.10	60	8284	24.57	114	1.60	GR169 GRF169	4P	68	10046	21.85	114	1.25	GR149 GRF149	4P			68	7367	21.85	114	1.65			78	6416	19.03	114	2.40	87	5725	16.98	114	2.50	102	4882	14.48	114			3.50	123	4042			11.99	114							4.00	32	15728	46.65	25	0.80	GR149 GRF149		4P	72			9397		20.44	65	1.20					GR149 GRF149	4P	37	13584	40.29	55	0.90			42	12016	35.64	60	1.00	49	10098	29.95	63	1.20	61	8156	24.19	66	1.40	72	6891	20.44			68			1.65	82		6082	18.04	68	1.65	95	5273		15.64	69			2.30	GR149 GRF149		4P	82				8294	18.04	66	1.20	GR149 GRF149	4P							106	4690	13.91	69	2.50			123	4042	11.99	70	3.00	152	3284	9.74	70	3.80	204	2444	7.25	70	3.40	251	1986			5.89	69	4.10	78	6419	19.04	45	1.20	GR149 GRF149	4P	95		7191	15.64				67	1.70		GR149 GRF149	4P		88	5664			16.80							46	1.35			102			4892	14.51	46	1.55	115	4326	12.83	47	1.75	137	3638	10.79			46	2.10	170	2937	8.71	46	2.50	195	2559	7.59	46		1.90	GR179 GRF179	4P	106		6395	13.91	68	1.85	GR179 GRF179	4P			232	2151					6.38	45	2.20									287	1736	5.15	43	2.50			37	21876	39.92	114	0.80		GR179 GRF179	4P	43	18857	34.41		114	0.90			53	15322	27.96	114	1.10	63	12993			23.71	114	1.30	61	13464	24.57	114	1.00	68	11974	21.85	114	1.00	78			10429	19.03	114	1.45	GR179 GRF179	4P			74		11125	20.09		116	2.20			GR179 GRF179	4P							88	9348	16.88	105	2.90							102	8096	14.62	105	3.10	122	6745	12.18		98	4.45		37	21876		39.92		114	0.80	GR169 GRF169	4P	43	18857	34.41	114	0.90		53			15322		27.96			114	1.10	63	12993	23.71	114	1.30	61	13464	24.57	114	1.00	68	11974	21.85			114	1.00	78	10429	19.03	114			1.45	GR169 GRF169	4P	88	9305			16.98			114	1.50	103	7935					14.48			111	2.10	124	6571	11.99					108	2.40	146	5612		10.24	105	2.90																																																																																																																											
88	5751	16.88	105	4.70			25	19774	58.65	114	0.85	GR169 GRF169	4P		60	11296		24.57	114	1.20	GR169 GRF169	4P			29	17451	51.76	114	1.00					33	15128	44.87	114	1.15			37	13459	39.92	114	1.25	43	11601	34.41	114	1.45			53	9427	27.96			114	1.80			62					7994	23.71	114	2.10	60	8284	24.57			114	1.60	GR169 GRF169	4P	68	10046	21.85	114	1.25	GR149 GRF149	4P			68	7367	21.85	114	1.65					78	6416	19.03	114	2.40			87	5725	16.98	114	2.50	102	4882	14.48	114	3.50	123	4042	11.99	114			4.00	32	15728			46.65	25			0.80	GR149 GRF149			4P	72	9397	20.44	65	1.20				GR149 GRF149		4P	37	13584	40.29	55	0.90							42	12016	35.64	60	1.00			49	10098	29.95	63	1.20	61	8156	24.19	66	1.40	72	6891	20.44	68	1.65	82	6082	18.04			68	1.65	95	5273	15.64		69	2.30	GR149 GRF149	4P	82	8294		18.04	66		1.20	GR149 GRF149		4P		106				4690	13.91	69	2.50									123	4042	11.99	70	3.00			152	3284	9.74	70	3.80	204	2444	7.25	70	3.40	251	1986	5.89	69	4.10	78	6419	19.04	45	1.20	GR149 GRF149	4P	95	7191	15.64	67	1.70			GR149 GRF149	4P	88	5664			16.80	46	1.35					102	4892			14.51							46	1.55			115			4326	12.83	47	1.75	137	3638	10.79	46	2.10	170	2937	8.71	46	2.50	195	2559	7.59	46	1.90	GR179 GRF179	4P	106	6395	13.91	68	1.85	GR179 GRF179			4P	232	2151	6.38	45	2.20					287	1736					5.15	43	2.50									37	21876	39.92	114	0.80			GR179 GRF179	4P	43	18857	34.41	114			0.90	53	15322	27.96	114	1.10			63	12993	23.71	114	1.30	61	13464	24.57	114	1.00	68	11974	21.85	114	1.00	78	10429	19.03	114	1.45	GR179 GRF179	4P	74			11125	20.09	116	2.20					GR179 GRF179	4P	88	9348	16.88	105	2.90											102	8096	14.62	105	3.10							122	6745	12.18	98	4.45	37	21876	39.92		114	0.80	GR169 GRF169	4P	43	18857	34.41		114	0.90			53	15322	27.96	114	1.10	63	12993			23.71	114	1.30			61	13464	24.57	114	1.00	68	11974	21.85	114	1.00	78	10429	19.03	114	1.45			GR169 GRF169	4P	88	9305	16.98	114	1.50	103	7935			14.48	111			2.10			124	6571	11.99	108					2.40			146	5612	10.24	105	2.90																																																																																																																																							
25	19774	58.65	114	0.85	GR169 GRF169	4P	60	11296	24.57	114	1.20			GR169 GRF169	4P																																																																																																																																																																																																																																																																																																																																																																																																																																																																																																																																																																																																																																																									
29	17451	51.76	114	1.00			33	15128	44.87	114	1.15					37	13459	39.92	114	1.25					43	11601	34.41	114	1.45					53	9427	27.96	114	1.80			62	7994	23.71	114	2.10	60	8284	24.57	114	1.60			GR169 GRF169	4P	68	10046	21.85	114	1.25			GR149 GRF149	4P	68	7367	21.85	114	1.65	78	6416	19.03	114	2.40	87	5725	16.98	114			2.50	102	4882	14.48	114					3.50	123	4042	11.99	114					4.00	32	15728	46.65	25			0.80	GR149 GRF149	4P	72	9397	20.44	65	1.20	GR149 GRF149	4P	37	13584	40.29	55			0.90	42	12016	35.64	60	1.00	49		10098	29.95		63			1.20	61	8156	24.19	66		1.40			72		6891	20.44	68	1.65	82		6082		18.04			68	1.65	95	5273	15.64			69	2.30	GR149 GRF149	4P	82	8294	18.04	66	1.20	GR149 GRF149	4P	106	4690	13.91	69	2.50	123	4042			11.99	70	3.00	152	3284	9.74	70	3.80			204	2444	7.25	70	3.40	251	1986					5.89			69	4.10	78	6419	19.04			45	1.20		GR149 GRF149	4P		95	7191	15.64	67	1.70			GR149 GRF149	4P	88	5664	16.80	46	1.35	102	4892	14.51	46	1.55	115	4326	12.83	47	1.75	137	3638	10.79			46	2.10	170	2937	8.71					46	2.50			195	2559	7.59					46	1.90	GR179 GRF179	4P	106			6395	13.91	68	1.85	GR179 GRF179	4P			232	2151	6.38	45	2.20	287	1736	5.15	43	2.50	37	21876	39.92	114	0.80	GR179 GRF179	4P	43	18857	34.41	114	0.90			53	15322	27.96	114	1.10					63	12993	23.71	114	1.30					61	13464			24.57	114	1.00	68	11974			21.85	114			1.00	78	10429	19.03	114	1.45	GR179 GRF179	4P	74			11125	20.09	116	2.20			GR179 GRF179	4P	88	9348	16.88	105			2.90	102	8096	14.62	105	3.10	122	6745	12.18	98	4.45	37	21876	39.92	114	0.80	GR169 GRF169	4P	43	18857			34.41	114	0.90	53	15322	27.96	114							1.10	63	12993	23.71	114	1.30	61							13464	24.57	114	1.00	68	11974	21.85	114	1.00	78	10429			19.03	114	1.45	GR169 GRF169	4P	88	9305	16.98		114	1.50			103	7935	14.48		111	2.10			124	6571	11.99	108	2.40	146	5612			10.24	105	2.90																																																																																																																																																																																												
33	15128	44.87	114	1.15			37	13459	39.92	114	1.25					43	11601	34.41	114	1.45					53	9427	27.96	114	1.80					62	7994	23.71	114	2.10			60	8284	24.57	114	1.60	GR169 GRF169	4P	68	10046	21.85	114	1.25			GR149 GRF149	4P	68	7367	21.85	114	1.65			78	6416	19.03	114	2.40	87	5725	16.98	114	2.50	102	4882	14.48	114			3.50	123	4042	11.99	114					4.00	32	15728	46.65	25					0.80	GR149 GRF149	4P	72	9397			20.44			65	1.20	GR149 GRF149	4P	37			13584	40.29	55	0.90	42	12016	35.64	60	1.00	49	10098	29.95	63	1.20	61	8156		24.19	66		1.40	72	6891	20.44	68		1.65			82		6082	18.04	68	1.65	95		5273		15.64			69	2.30	GR149 GRF149	4P	82			8294	18.04			66	1.20	GR149 GRF149	4P	106			4690	13.91	69	2.50	123	4042	11.99	70	3.00	152	3284	9.74	70	3.80	204	2444	7.25			70	3.40	251	1986	5.89	69	4.10					78	6419	19.04	45	1.20	GR149 GRF149	4P	95			7191	15.64					67	1.70	GR149 GRF149	4P	88					5664	16.80	46	1.35	102	4892	14.51	46	1.55	115	4326	12.83	47	1.75	137	3638	10.79	46			2.10	170	2937	8.71	46					2.50	195	2559	7.59	46	1.90	GR179 GRF179					4P	106			6395	13.91	68	1.85	GR179 GRF179	4P	232					2151	6.38	45	2.20	287	1736	5.15	43	2.50	37	21876	39.92	114	0.80	GR179 GRF179			4P	43	18857	34.41	114			0.90	53	15322	27.96	114					1.10	63	12993	23.71	114					1.30	61	13464	24.57	114	1.00	68	11974	21.85			114	1.00	78	10429	19.03	114	1.45	GR179 GRF179	4P	74			11125			20.09	116	2.20	GR179 GRF179					4P	88	9348	16.88			105	2.90	102	8096	14.62	105	3.10	122	6745	12.18	98	4.45	37	21876	39.92	114			0.80	GR169 GRF169			4P	43	18857	34.41	114	0.90	53			15322	27.96			114	1.10	63	12993	23.71	114	1.30			61	13464			24.57	114	1.00	68	11974	21.85	114	1.00	78	10429	19.03			114	1.45	GR169 GRF169			4P	88	9305	16.98	114	1.50			103	7935	14.48	111	2.10	124			6571	11.99	108	2.40	146	5612	10.24			105	2.90																																																																																																																																																																																													
37	13459	39.92	114	1.25			43	11601	34.41	114	1.45					53	9427	27.96	114	1.80					62	7994	23.71	114	2.10					60	8284	24.57	114	1.60			GR169 GRF169	4P	68	10046	21.85			114	1.25	GR149 GRF149	4P	68					7367	21.85	114	1.65	78			6416	19.03	114	2.40	87	5725	16.98	114	2.50	102	4882	14.48	114	3.50			123	4042	11.99	114	4.00					32	15728	46.65	25	0.80					GR149 GRF149			4P	72			9397			20.44	65			1.20			GR149 GRF149	4P	37	13584	40.29	55	0.90	42	12016	35.64	60	1.00	49	10098	29.95	63		1.20	61		8156	24.19	66	1.40	72		6891			20.44		68	1.65	82	6082	18.04		68		1.65			95	5273			15.64			69	2.30			GR149 GRF149	4P			82			8294	18.04	66	1.20	GR149 GRF149	4P	106	4690	13.91	69	2.50	123	4042	11.99	70	3.00	152			3284	9.74	70	3.80	204	2444	7.25					70	3.40	251	1986	5.89			69			4.10	78					6419	19.04			45					1.20	GR149 GRF149	4P	95	7191	15.64	67	1.70	GR149 GRF149	4P	88	5664	16.80	46	1.35	102	4892	14.51			46	1.55	115	4326	12.83					47	1.75	137	3638	10.79	46							2.10			170	2937	8.71	46			2.50					195	2559	7.59	46	1.90	GR179 GRF179	4P	106	6395	13.91	68	1.85	GR179 GRF179	4P					232	2151	6.38	45			2.20	287	1736	5.15	43					2.50	37	21876	39.92	114					0.80	GR179 GRF179	4P	43	18857	34.41	114	0.90	53			15322	27.96	114	1.10	63	12993	23.71			114			1.30			61	13464	24.57							114	1.00	68			11974	21.85	114	1.00	78	10429	19.03	114	1.45	GR179 GRF179	4P	74	11125	20.09	116	2.20			GR179 GRF179					4P	88	9348	16.88	105	2.90			102	8096			14.62	105	3.10	122	6745	12.18	98			4.45	37			21876	39.92	114	0.80	GR169 GRF169	4P	43	18857	34.41	114	0.90			53	15322					27.96	114	1.10	63	12993			23.71	114	1.30	61	13464	24.57			114	1.00	68	11974	21.85	114	1.00			78	10429	19.03	114	1.45	GR169 GRF169	4P	88	9305	16.98	114	1.50	103	7935	14.48	111	2.10	124	6571	11.99	108	2.40			146	5612	10.24	105	2.90																																																																																																																																																																		
43	11601	34.41	114	1.45			53	9427	27.96	114	1.80					62	7994	23.71	114	2.10					60	8284	24.57	114	1.60			GR169 GRF169	4P	68	10046	21.85	114	1.25	GR149 GRF149	4P			68	7367	21.85			114	1.65			78					6416	19.03	114	2.40	87			5725	16.98	114	2.50	102	4882	14.48	114	3.50	123	4042	11.99	114	4.00			32	15728	46.65	25	0.80					GR149 GRF149	4P	72	9397	20.44			65	1.20					GR149 GRF149	4P	37	13584			40.29	55			0.90					42	12016	35.64	60	1.00	49	10098	29.95	63	1.20	61	8156	24.19	66		1.40	72		6891	20.44	68	1.65	82		6082			18.04		68	1.65	95	5273	15.64	69	2.30	GR149 GRF149	4P			82	8294			18.04	66	1.20	GR149 GRF149	4P							106			4690	13.91	69	2.50			123	4042	11.99	70	3.00	152	3284	9.74	70	3.80	204			2444	7.25	70	3.40	251	1986	5.89					69	4.10	78	6419	19.04			45			1.20	GR149 GRF149	4P			95	7191	15.64			67	1.70	GR149 GRF149			4P			88	5664	16.80	46	1.35			102	4892	14.51	46	1.55	115	4326	12.83			47	1.75	137	3638	10.79					46	2.10	170	2937	8.71	46		2.50			195		2559			7.59	46	1.90	GR179 GRF179			4P			106	6395	13.91	68	1.85	GR179 GRF179	4P			232	2151	6.38	45	2.20							287	1736	5.15	43			2.50	37	21876	39.92	114					0.80	GR179 GRF179	4P	43	18857			34.41	114	0.90			53	15322	27.96	114	1.10	63	12993	23.71	114	1.30	61	13464	24.57	114	1.00			68			11974			21.85	114	1.00							78	10429	19.03	114	1.45	GR179 GRF179	4P	74	11125	20.09	116	2.20	GR179 GRF179	4P			88	9348	16.88	105	2.90									102	8096	14.62	105	3.10			122	6745			12.18	98	4.45	37	21876	39.92	114			0.80	GR169 GRF169	4P	43	18857	34.41	114	0.90			53	15322	27.96	114	1.10	63	12993	23.71	114					1.30	61	13464	24.57	114			1.00	68	11974	21.85	114	1.00			78	10429	19.03	114	1.45	GR169 GRF169	4P	88	9305	16.98	114	1.50	103	7935			14.48	111	2.10	124	6571	11.99	108	2.40	146	5612	10.24	105	2.90																																																																																																																																																																											
53	9427	27.96	114	1.80			62	7994	23.71	114	2.10					60	8284	24.57	114	1.60			GR169 GRF169	4P	68	10046	21.85	114	1.25	GR149 GRF149	4P			68	7367	21.85	114	1.65					78	6416	19.03			114	2.40			87					5725	16.98	114	2.50	102			4882	14.48	114	3.50	123	4042	11.99	114	4.00	32	15728	46.65	25	0.80			GR149 GRF149	4P	72	9397	20.44			65	1.20			GR149 GRF149	4P	37	13584	40.29	55	0.90							42	12016			35.64	60			1.00					49	10098	29.95	63	1.20	61	8156	24.19	66	1.40	72	6891	20.44	68		1.65	82		6082	18.04	68	1.65	95	5273	15.64	69		2.30		GR149 GRF149	4P	82	8294	18.04	66	1.20			GR149 GRF149	4P	106	4690			13.91	69	2.50									123			4042	11.99	70	3.00			152	3284	9.74	70	3.80	204	2444	7.25	70	3.40	251			1986	5.89	69	4.10	78	6419	19.04		45		1.20	GR149 GRF149	4P	95	7191	15.64			67	1.70	GR149 GRF149	4P					88	5664	16.80			46	1.35							102	4892	14.51	46	1.55			115	4326	12.83	47	1.75	137	3638	10.79			46	2.10	170	2937	8.71	46	2.50			195	2559	7.59	46	1.90	GR179 GRF179		4P	106	6395	13.91		68			1.85	GR179 GRF179	4P							232	2151	6.38	45	2.20					287	1736	5.15	43	2.50							37	21876	39.92	114			0.80	GR179 GRF179	4P	43	18857		34.41	114		0.90			53	15322	27.96	114	1.10	63	12993			23.71	114	1.30	61	13464	24.57	114	1.00	68	11974	21.85	114	1.00	78	10429			19.03			114			1.45	GR179 GRF179	4P		74	11125				20.09	116	2.20	GR179 GRF179	4P			88	9348	16.88	105	2.90					102	8096	14.62	105	3.10									122	6745	12.18	98	4.45	37	21876	39.92	114			0.80	GR169 GRF169	4P	43	18857	34.41	114	0.90	53	15322			27.96	114	1.10	63	12993			23.71	114	1.30	61	13464	24.57	114	1.00	68					11974	21.85	114	1.00	78			10429	19.03	114	1.45	GR169 GRF169	4P	88	9305	16.98	114	1.50	103	7935			14.48	111	2.10	124	6571	11.99	108			2.40	146	5612	10.24	105	2.90																																																																																																																																																																																		
62	7994	23.71	114	2.10			60	8284	24.57	114	1.60	GR169 GRF169	4P			68	10046	21.85	114	1.25	GR149 GRF149	4P			68	7367	21.85	114	1.65					78	6416	19.03	114	2.40					87	5725	16.98			114	2.50			102					4882	14.48	114	3.50	123			4042	11.99	114	4.00	32	15728	46.65	25	0.80	GR149 GRF149	4P	72	9397	20.44	65	1.20			GR149 GRF149	4P	37	13584	40.29	55	0.90					42	12016	35.64	60	1.00							49	10098			29.95	63			1.20					61	8156	24.19	66	1.40	72	6891	20.44	68	1.65	82	6082	18.04	68	1.65	95	5273	15.64	69	2.30	GR149 GRF149	4P	82	8294	18.04	66	1.20	GR149 GRF149	4P			106	4690	13.91	69	2.50					123	4042			11.99	70	3.00									152			3284	9.74	70	3.80			204	2444	7.25	70	3.40	251	1986	5.89	69	4.10	78	6419	19.04	45	1.20	GR149 GRF149	4P	95	7191	15.64	67	1.70	GR149 GRF149	4P			88	5664	16.80			46	1.35							102	4892	14.51			46	1.55							115	4326	12.83	47	1.75			137	3638	10.79	46	2.10	170	2937	8.71	46	2.50	195	2559	7.59	46	1.90	GR179 GRF179	4P	106	6395	13.91	68	1.85	GR179 GRF179	4P				232	2151	6.38		45			2.20									287	1736	5.15	43	2.50					37	21876	39.92	114	0.80							GR179 GRF179	4P	43	18857	34.41	114	0.90			53	15322	27.96	114	1.10	63	12993			23.71	114	1.30	61	13464	24.57	114			1.00	68	11974	21.85	114	1.00	78	10429	19.03	114	1.45	GR179 GRF179	4P	74	11125			20.09			116	2.20	GR179 GRF179	4P				88	9348				16.88	105	2.90					102	8096	14.62	105	3.10					122	6745	12.18	98	4.45					37	21876			39.92	114	0.80	GR169 GRF169	4P	43	18857	34.41	114	0.90	53	15322			27.96	114	1.10	63	12993	23.71	114			1.30	61	13464	24.57	114			1.00	68	11974	21.85	114	1.00	78	10429	19.03					114	1.45	GR169 GRF169	4P	88	9305	16.98	114	1.50	103	7935			14.48	111	2.10	124	6571	11.99	108			2.40	146	5612	10.24	105	2.90																																																																																																																																																																																											
60	8284	24.57	114	1.60	GR169 GRF169	4P	68	10046	21.85	114	1.25			GR149 GRF149	4P																																																																																																																																																																																																																																																																																																																																																																																																																																																																																																																																																																																																																																																									
68	7367	21.85	114	1.65			78	6416	19.03	114	2.40					87	5725	16.98	114	2.50					102	4882	14.48	114	3.50					123	4042	11.99	114	4.00					32	15728	46.65			25	0.80			GR149 GRF149	4P	72			9397	20.44	65	1.20	GR149 GRF149	4P	37	13584	40.29	55	0.90	42	12016	35.64	60	1.00			49	10098	29.95	63	1.20					61	8156	24.19	66	1.40					72	6891	20.44	68	1.65							82	6082	18.04	68	1.65	95			5273	15.64	69			2.30	GR149 GRF149	4P	82	8294	18.04	66	1.20	GR149 GRF149	4P	106	4690	13.91	69	2.50	123	4042	11.99	70	3.00			152	3284	9.74	70	3.80					204	2444	7.25	70	3.40					251	1986			5.89	69	4.10			78	6419					19.04	45	1.20	GR149 GRF149	4P	95	7191			15.64	67	1.70	GR149 GRF149	4P	88	5664	16.80	46	1.35	102	4892	14.51	46	1.55			115	4326	12.83	47	1.75					137	3638	10.79			46	2.10					170	2937	8.71	46	2.50			195	2559		7.59	46				1.90	GR179 GRF179	4P	106	6395			13.91	68	1.85	GR179 GRF179	4P	232	2151	6.38	45	2.20	287	1736	5.15	43	2.50			37	21876	39.92	114	0.80						GR179 GRF179	4P	43		18857	34.41	114	0.90							53	15322	27.96	114	1.10	63	12993					23.71	114	1.30	61	13464				24.57	114				1.00	68	11974	21.85	114			1.00	78	10429	19.03	114	1.45	GR179 GRF179			4P	74	11125	20.09	116	2.20	GR179 GRF179			4P	88	9348	16.88	105	2.90	102	8096	14.62	105	3.10			122	6745			12.18	98	4.45	37	21876						39.92	114	0.80	GR169 GRF169		4P	43	18857					34.41	114	0.90	53	15322					27.96	114	1.10	63	12993	23.71	114			1.30	61			13464	24.57	114			1.00	68	11974	21.85	114	1.00	78			10429	19.03	114	1.45	GR169 GRF169	4P	88			9305	16.98	114	1.50	103			7935	14.48	111	2.10	124	6571	11.99	108	2.40		146	5612		10.24	105			2.90																																																																																																																																																																																																																		
78	6416	19.03	114	2.40			87	5725	16.98	114	2.50					102	4882	14.48	114	3.50					123	4042	11.99	114	4.00					32	15728	46.65	25	0.80					GR149 GRF149	4P	72	9397	20.44	65	1.20					GR149 GRF149	4P	37	13584	40.29	55	0.90			42	12016	35.64	60	1.00	49	10098	29.95	63	1.20			61	8156	24.19	66	1.40					72	6891	20.44	68	1.65					82	6082	18.04	68	1.65		95	5273				15.64	69	2.30	GR149 GRF149	4P	82	8294	18.04	66	1.20	GR149 GRF149			4P			106	4690	13.91	69	2.50			123	4042	11.99	70	3.00	152	3284	9.74	70	3.80			204	2444	7.25	70	3.40					251	1986	5.89	69	4.10					78	6419	19.04	45	1.20	GR149 GRF149	4P			95	7191			15.64	67	1.70	GR149 GRF149	4P			88	5664			16.80	46	1.35			102	4892	14.51	46	1.55	115	4326	12.83	47	1.75			137	3638	10.79	46	2.10					170	2937	8.71	46	2.50	195	2559					7.59	46	1.90	GR179 GRF179	4P	106	6395	13.91	68		1.85	GR179 GRF179				4P			232	2151			6.38	45	2.20			287	1736	5.15	43	2.50	37	21876	39.92	114	0.80			GR179 GRF179	4P	43	18857	34.41				114				0.90	53	15322	27.96	114	1.10				63	12993		23.71	114	1.30	61	13464	24.57	114					1.00	68	11974	21.85	114			1.00	78	10429	19.03			114	1.45	GR179 GRF179	4P	74			11125	20.09	116	2.20	GR179 GRF179	4P					88	9348	16.88	105	2.90					102	8096	14.62	105	3.10	122	6745	12.18	98	4.45			37	21876	39.92	114	0.80	GR169 GRF169	4P	43	18857					34.41	114	0.90	53		15322		27.96	114					1.10	63	12993	23.71	114					1.30	61	13464	24.57	114	1.00	68		11974	21.85	114	1.00		78	10429	19.03			114	1.45	GR169 GRF169	4P	88	9305	16.98			114	1.50	103	7935			14.48			111	2.10	124	6571	11.99			108	2.40	146	5612	10.24	105	2.90																																																																																																																																																																																																																													
87	5725	16.98	114	2.50			102	4882	14.48	114	3.50					123	4042	11.99	114	4.00					32	15728	46.65	25	0.80					GR149 GRF149	4P	72	9397	20.44			65	1.20			GR149 GRF149	4P	37	13584	40.29	55	0.90					42	12016	35.64	60	1.00			49	10098	29.95	63	1.20	61	8156	24.19	66	1.40			72	6891	20.44	68	1.65					82	6082	18.04	68	1.65					95	5273	15.64	69	2.30	GR149 GRF149	4P	82	8294			18.04	66	1.20			GR149 GRF149	4P	106	4690	13.91		69	2.50				123	4042	11.99	70	3.00			152	3284	9.74	70	3.80	204	2444	7.25	70	3.40			251	1986	5.89	69	4.10					78	6419	19.04	45	1.20					GR149 GRF149	4P	95	7191	15.64					67	1.70	GR149 GRF149	4P	88	5664	16.80					46	1.35	102	4892	14.51	46	1.55			115	4326	12.83	47	1.75	137	3638	10.79	46	2.10			170	2937	8.71	46	2.50					195	2559	7.59	46	1.90	GR179 GRF179	4P					106	6395	13.91			68	1.85	GR179 GRF179	4P		232			2151	6.38				45	2.20	287	1736	5.15	43	2.50			37	21876	39.92	114	0.80	GR179 GRF179	4P	43	18857	34.41					114	0.90	53				15322				27.96	114	1.10	63	12993	23.71				114	1.30		61	13464	24.57	114	1.00	68	11974			21.85	114	1.00	78	10429	19.03	114	1.45	GR179 GRF179	4P	74	11125	20.09			116	2.20			GR179 GRF179			4P	88	9348	16.88							105	2.90	102	8096	14.62		105	3.10		122	6745	12.18	98	4.45	37	21876	39.92	114	0.80			GR169 GRF169	4P	43	18857	34.41			114	0.90					53	15322	27.96	114		1.10		63	12993					23.71	114	1.30	61	13464			24.57	114	1.00	68	11974	21.85	114	1.00	78	10429	19.03	114	1.45	GR169 GRF169	4P	88	9305	16.98			114	1.50			103	7935	14.48			111	2.10	124	6571			11.99			108	2.40	146	5612	10.24	105	2.90																																																																																																																																																																																																																																				
102	4882	14.48	114	3.50			123	4042	11.99	114	4.00					32	15728	46.65	25	0.80					GR149 GRF149	4P	72	9397	20.44			65	1.20			GR149 GRF149	4P	37	13584	40.29	55	0.90					42	12016	35.64	60	1.00					49	10098	29.95	63	1.20			61	8156	24.19	66	1.40	72	6891	20.44	68	1.65			82	6082	18.04	68	1.65					95	5273	15.64	69	2.30	GR149 GRF149	4P			82	8294	18.04	66	1.20			GR149 GRF149	4P	106	4690	13.91	69	2.50					123	4042	11.99		70	3.00				152	3284	9.74	70	3.80			204	2444	7.25	70	3.40	251	1986	5.89	69	4.10			78	6419	19.04	45	1.20					GR149 GRF149	4P	95	7191	15.64	67	1.70					GR149 GRF149	4P	88			5664	16.80	46	1.35			102	4892	14.51					46	1.55	115	4326	12.83	47	1.75			137	3638	10.79	46	2.10	170	2937	8.71	46	2.50			195	2559	7.59	46	1.90					GR179 GRF179	4P	106	6395	13.91					68	1.85	GR179 GRF179	4P	232			2151	6.38			45	2.20		287	1736	5.15				43	2.50	37	21876	39.92	114	0.80			GR179 GRF179	4P	43	18857	34.41			114	0.90	53					15322	27.96	114				1.10				63	12993	23.71	114	1.30	61			13464	24.57	114	1.00	68	11974	21.85	114	1.00	78	10429	19.03	114	1.45	GR179 GRF179	4P	74	11125	20.09	116	2.20			GR179 GRF179	4P	88			9348	16.88							105	2.90	102				8096	14.62		105	3.10	122	6745	12.18		98	4.45		37	21876	39.92	114	0.80	GR169 GRF169	4P	43	18857	34.41					114	0.90	53			15322	27.96					114	1.10	63	12993		23.71		114	1.30			61	13464	24.57	114	1.00	68	11974	21.85	114	1.00	78	10429	19.03	114	1.45	GR169 GRF169	4P	88	9305	16.98	114	1.50			103	7935	14.48			111	2.10			124	6571	11.99			108	2.40	146	5612			10.24	105	2.90																																																																																																																																																																																																																																											
123	4042	11.99	114	4.00			32	15728	46.65	25	0.80					GR149 GRF149	4P	72	9397	20.44			65	1.20			GR149 GRF149	4P	37	13584	40.29	55	0.90					42	12016	35.64	60	1.00					49	10098	29.95	63	1.20					61	8156	24.19	66	1.40			72	6891	20.44	68	1.65	82	6082	18.04	68	1.65			95	5273	15.64	69	2.30	GR149 GRF149	4P			82	8294	18.04	66	1.20			GR149 GRF149	4P	106	4690	13.91	69	2.50					123	4042	11.99	70	3.00					152	3284	9.74		70	3.80				204	2444	7.25	70	3.40			251	1986	5.89	69	4.10	78	6419	19.04	45	1.20			GR149 GRF149	4P	95	7191	15.64			67	1.70			GR149 GRF149	4P	88	5664	16.80	46	1.35					102			4892	14.51	46	1.55			115	4326	12.83					47	1.75	137	3638	10.79	46	2.10			170	2937	8.71	46	2.50	195	2559	7.59	46	1.90			GR179 GRF179	4P	106	6395	13.91			68	1.85			GR179 GRF179	4P	232			2151	6.38	45	2.20			287			1736	5.15			43	2.50		37	21876	39.92				114	0.80	GR179 GRF179	4P	43	18857	34.41					114	0.90	53			15322	27.96	114					1.10	63	12993			23.71	114	1.30			61	13464	24.57	114	1.00	68	11974	21.85	114	1.00	78	10429	19.03	114	1.45	GR179 GRF179	4P	74	11125	20.09	116	2.20			GR179 GRF179	4P	88	9348	16.88					105			2.90	102				8096	14.62		105	3.10	122				6745	12.18		98	4.45	37	21876	39.92		114	0.80		GR169 GRF169	4P	43	18857	34.41			114	0.90	53					15322	27.96	114			1.10	63			12993	23.71	114	1.30	61	13464		24.57		114	1.00	68	11974	21.85	114	1.00	78	10429	19.03	114	1.45	GR169 GRF169	4P	88	9305	16.98	114	1.50			103	7935	14.48	111	2.10			124	6571	11.99			108	2.40			146	5612	10.24	105	2.90																																																																																																																																																																																																																																																				
32	15728	46.65	25	0.80			GR149 GRF149	4P	72	9397	20.44	65	1.20					GR149 GRF149	4P																																																																																																																																																																																																																																																																																																																																																																																																																																																																																																																																																																																																																																																					
37	13584	40.29	55	0.90	42	12016			35.64	60	1.00	49	10098	29.95	63					1.20	61	8156	24.19	66					1.40	72	6891	20.44	68					1.65	82	6082	18.04	68					1.65	95	5273	15.64	69					2.30	GR149 GRF149	4P	82	8294			18.04	66	1.20	GR149 GRF149	4P	106	4690	13.91	69	2.50	123	4042	11.99	70	3.00	152	3284			9.74	70	3.80	204	2444	7.25	70					3.40	251	1986	5.89	69					4.10	78	6419	19.04	45					1.20	GR149 GRF149	4P		95	7191				15.64	67	1.70	GR149 GRF149	4P			88	5664	16.80	46	1.35	102	4892	14.51	46	1.55	115	4326			12.83	47	1.75	137	3638	10.79	46					2.10	170	2937	8.71	46					2.50			195	2559	7.59	46			1.90	GR179 GRF179	4P					106	6395	13.91	68	1.85	GR179 GRF179	4P			232	2151	6.38	45	2.20	287	1736	5.15	43	2.50	37	21876			39.92	114	0.80	GR179 GRF179	4P	43	18857					34.41			114	0.90	53	15322			27.96			114	1.10			63	12993		23.71	114	1.30				61	13464			24.57	114	1.00					68	11974	21.85			114	1.00	78	10429	19.03			114	1.45	GR179 GRF179	4P	74	11125	20.09	116			2.20	GR179 GRF179	4P	88	9348	16.88	105	2.90	102	8096	14.62	105	3.10	122	6745			12.18	98	4.45	37	21876					39.92	114	0.80					GR169 GRF169	4P	43	18857	34.41				114	0.90		53	15322	27.96				114	1.10		63	12993	23.71	114	1.30		61	13464				24.57	114	1.00			68	11974	21.85	114	1.00			78	10429	19.03			114	1.45	GR169 GRF169	4P	88	9305	16.98	114	1.50	103		7935		14.48	111	2.10	124	6571	11.99	108	2.40	146	5612	10.24	105			2.90																																																																																																																																																																																																																																																																															
42	12016	35.64	60	1.00	49	10098			29.95	63	1.20	61	8156	24.19	66					1.40	72	6891	20.44	68					1.65	82	6082	18.04	68					1.65	95	5273	15.64	69					2.30	GR149 GRF149	4P	82	8294	18.04	66			1.20			GR149 GRF149	4P	106	4690	13.91	69	2.50			123	4042	11.99	70	3.00	152	3284	9.74	70	3.80	204	2444			7.25	70	3.40	251	1986	5.89	69					4.10	78	6419	19.04	45					1.20	GR149 GRF149	4P	95	7191					15.64				67	1.70		GR149 GRF149	4P	88	5664	16.80			46	1.35	102	4892	14.51	46	1.55	115	4326	12.83	47	1.75	137	3638			10.79	46	2.10	170	2937	8.71	46					2.50	195	2559	7.59	46					1.90			GR179 GRF179	4P	106	6395			13.91					68	1.85	GR179 GRF179	4P	232	2151	6.38			45	2.20	287	1736	5.15	43	2.50	37	21876	39.92	114	0.80	GR179 GRF179	4P			43	18857	34.41			114	0.90					53			15322	27.96	114	1.10			63			12993	23.71			114	1.30		61	13464	24.57		114	1.00	68	11974			21.85	114	1.00	78	10429			19.03	114	1.45			GR179 GRF179	4P	74	11125	20.09			116	2.20			GR179 GRF179	4P	88	9348	16.88	105	2.90			102	8096	14.62	105	3.10	122	6745	12.18	98	4.45	37	21876			39.92	114	0.80	GR169 GRF169	4P					43	18857	34.41							114	0.90	53				15322	27.96		114	1.10	63			12993	23.71	114	1.30	61	13464	24.57	114	1.00	68	11974	21.85	114			1.00	78	10429			19.03	114	1.45	GR169 GRF169	4P			88	9305	16.98			114	1.50			103	7935	14.48	111	2.10	124	6571	11.99	108	2.40	146	5612	10.24	105	2.90																																																																																																																																																																																																																																																																																								
49	10098	29.95	63	1.20	61	8156			24.19	66	1.40	72	6891	20.44	68					1.65	82	6082	18.04	68					1.65	95	5273	15.64	69					2.30	GR149 GRF149	4P	82	8294	18.04	66			1.20			GR149 GRF149	4P	106	4690	13.91	69	2.50					123	4042	11.99	70	3.00			152	3284	9.74	70	3.80	204	2444	7.25	70	3.40	251	1986			5.89	69	4.10	78	6419	19.04	45					1.20	GR149 GRF149	4P	95	7191					15.64			67	1.70	GR149 GRF149	4P			88			5664	16.80	46	1.35			102	4892	14.51			46	1.55	115	4326	12.83	47	1.75	137	3638	10.79	46	2.10	170	2937			8.71	46	2.50	195	2559	7.59	46					1.90	GR179 GRF179	4P	106	6395					13.91	68	1.85			GR179 GRF179	4P			232			2151	6.38	45	2.20			287	1736	5.15			43	2.50	37	21876	39.92	114	0.80	GR179 GRF179	4P	43	18857	34.41					114	0.90	53			15322	27.96					114			1.10	63	12993	23.71			114	1.30	61	13464	24.57			114	1.00	68	11974	21.85	114	1.00	78	10429	19.03	114			1.45	GR179 GRF179	4P	74	11125			20.09	116	2.20					GR179 GRF179	4P	88	9348	16.88	105	2.90					102	8096	14.62	105	3.10			122	6745	12.18	98	4.45	37	21876	39.92	114	0.80	GR169 GRF169	4P			43	18857	34.41							114	0.90	53							15322	27.96	114	1.10	63		12993	23.71		114	1.30	61	13464	24.57	114	1.00	68	11974	21.85	114	1.00	78	10429	19.03	114	1.45	GR169 GRF169			4P	88	9305			16.98	114	1.50					103	7935	14.48	111	2.10	124	6571			11.99	108	2.40	146	5612	10.24	105	2.90																																																																																																																																																																																																																																																																																															
61	8156	24.19	66	1.40	72	6891			20.44	68	1.65	82	6082	18.04	68					1.65	95	5273	15.64	69					2.30	GR149 GRF149	4P	82	8294	18.04	66			1.20			GR149 GRF149	4P	106	4690	13.91	69	2.50					123	4042	11.99	70	3.00					152	3284	9.74	70	3.80			204	2444	7.25	70	3.40	251	1986	5.89	69	4.10	78	6419			19.04	45	1.20	GR149 GRF149	4P	95	7191					15.64			67	1.70	GR149 GRF149	4P			88			5664	16.80			46	1.35	102			4892	14.51	46	1.55			115	4326	12.83			47	1.75	137	3638	10.79	46	2.10	170	2937	8.71	46	2.50	195	2559			7.59	46	1.90	GR179 GRF179	4P	106	6395					13.91			68	1.85	GR179 GRF179	4P			232	2151	6.38					45	2.20	287			1736	5.15	43	2.50			37	21876	39.92			114	0.80	GR179 GRF179	4P	43	18857	34.41			114	0.90	53					15322	27.96	114			1.10	63					12993	23.71	114	1.30	61	13464	24.57			114	1.00	68	11974	21.85	114	1.00	78	10429	19.03	114	1.45	GR179 GRF179	4P	74	11125	20.09	116			2.20			GR179 GRF179	4P			88	9348	16.88	105	2.90					102	8096	14.62	105	3.10					122	6745	12.18	98	4.45			37	21876	39.92	114	0.80	GR169 GRF169	4P	43	18857	34.41					114	0.90	53							15322	27.96	114	1.10	63					12993	23.71	114	1.30	61	13464	24.57	114	1.00	68	11974	21.85	114	1.00	78	10429	19.03	114	1.45	GR169 GRF169	4P	88	9305	16.98	114	1.50					103	7935			14.48	111	2.10			124	6571	11.99	108	2.40	146	5612	10.24	105			2.90																																																																																																																																																																																																																																																																																																						
72	6891	20.44	68	1.65	82	6082			18.04	68	1.65	95	5273	15.64	69					2.30	GR149 GRF149	4P	82	8294	18.04	66			1.20			GR149 GRF149	4P	106	4690	13.91	69	2.50					123	4042	11.99	70	3.00					152	3284	9.74	70	3.80					204	2444	7.25	70	3.40			251	1986	5.89	69	4.10	78	6419	19.04	45	1.20	GR149 GRF149	4P			95	7191	15.64			67	1.70	GR149 GRF149	4P			88			5664	16.80			46	1.35	102			4892	14.51			46	1.55	115			4326	12.83	47	1.75			137	3638	10.79			46	2.10	170	2937	8.71	46	2.50	195	2559	7.59	46	1.90	GR179 GRF179	4P			106	6395	13.91			68	1.85	GR179 GRF179	4P			232			2151	6.38			45	2.20	287	1736	5.15					43	2.50	37			21876	39.92	114	0.80			GR179 GRF179	4P	43			18857	34.41			114	0.90	53			15322	27.96	114					1.10	63	12993			23.71	114	1.30	61			13464	24.57	114	1.00	68	11974	21.85	114	1.00	78	10429	19.03	114	1.45	GR179 GRF179	4P	74	11125	20.09	116	2.20			GR179 GRF179	4P	88	9348			16.88					105	2.90	102	8096	14.62	105	3.10					122	6745	12.18	98	4.45					37	21876	39.92	114	0.80			GR169 GRF169	4P	43	18857	34.41			114	0.90	53					15322	27.96	114			1.10	63			12993	23.71	114	1.30	61	13464	24.57			114	1.00	68	11974	21.85	114	1.00	78	10429	19.03	114	1.45	GR169 GRF169	4P	88	9305	16.98	114	1.50			103	7935	14.48	111	2.10					124	6571	11.99	108	2.40	146	5612			10.24	105	2.90																																																																																																																																																																																																																																																																																																															
82	6082	18.04	68	1.65	95	5273			15.64	69	2.30	GR149 GRF149	4P	82	8294	18.04	66			1.20			GR149 GRF149	4P	106	4690	13.91	69	2.50					123	4042	11.99	70	3.00					152	3284	9.74	70	3.80					204	2444	7.25	70	3.40					251	1986	5.89	69	4.10			78	6419	19.04	45	1.20	GR149 GRF149	4P	95	7191	15.64			67	1.70	GR149 GRF149	4P	88			5664	16.80			46	1.35	102			4892	14.51			46	1.55	115			4326	12.83			47	1.75	137			3638	10.79	46	2.10			170	2937	8.71			46	2.50	195	2559	7.59	46	1.90	GR179 GRF179	4P	106	6395	13.91			68	1.85	GR179 GRF179	4P	232			2151	6.38			45	2.20	287			1736	5.15			43	2.50	37	21876	39.92					114	0.80	GR179 GRF179			4P	43	18857	34.41					114			0.90	53			15322	27.96	114			1.10	63	12993			23.71	114	1.30	61	13464			24.57	114	1.00	68	11974	21.85	114	1.00	78	10429	19.03	114	1.45	GR179 GRF179	4P	74	11125	20.09	116	2.20			GR179 GRF179	4P	88	9348	16.88					105	2.90	102	8096	14.62					105	3.10	122	6745	12.18	98	4.45					37	21876	39.92	114	0.80					GR169 GRF169	4P	43	18857	34.41					114	0.90	53			15322	27.96	114			1.10	63	12993	23.71	114			1.30	61	13464	24.57	114	1.00	68	11974	21.85	114	1.00			78	10429	19.03	114	1.45	GR169 GRF169	4P	88	9305	16.98	114	1.50			103	7935	14.48	111	2.10			124	6571	11.99	108	2.40		146	5612		10.24	105	2.90																																																																																																																																																																																																																																																																																																																								
95	5273	15.64	69	2.30	GR149 GRF149	4P	82	8294	18.04	66	1.20			GR149 GRF149	4P																																																																																																																																																																																																																																																																																																																																																																																																																																																																																																																																																																																																																																																									
106	4690	13.91	69	2.50			123	4042	11.99	70	3.00					152	3284	9.74	70	3.80					204	2444	7.25	70	3.40					251	1986	5.89	69	4.10					78	6419	19.04	45	1.20					GR149 GRF149	4P	95	7191	15.64	67	1.70			GR149 GRF149	4P	88	5664	16.80	46	1.35	102	4892	14.51	46	1.55			115	4326	12.83			47	1.75			137			3638	10.79			46	2.10	170			2937	8.71			46	2.50	195			2559	7.59			46	1.90	GR179 GRF179	4P	106	6395	13.91	68	1.85			GR179 GRF179	4P	232	2151	6.38	45	2.20	287	1736	5.15	43	2.50			37	21876	39.92			114	0.80			GR179 GRF179			4P	43			18857	34.41	114			0.90	53			15322	27.96	114	1.10	63					12993	23.71		114	1.30		61	13464	24.57					114	1.00	68	11974	21.85			114	1.00	78			10429	19.03	114			1.45	GR179 GRF179	4P	74	11125	20.09	116	2.20	GR179 GRF179	4P	88	9348	16.88	105	2.90	102	8096	14.62	105	3.10			122	6745	12.18	98	4.45					37	21876	39.92					114	0.80	GR169 GRF169	4P	43					18857	34.41	114	0.90	53	15322	27.96					114	1.10	63	12993	23.71	114	1.30					61	13464	24.57	114	1.00			68	11974	21.85			114	1.00	78			10429	19.03	114	1.45	GR169 GRF169			4P	88	9305	16.98	114	1.50	103	7935	14.48	111	2.10	124	6571	11.99	108	2.40	146	5612			10.24	105	2.90																																																																																																																																																																																																																																																																																																																																															
123	4042	11.99	70	3.00			152	3284	9.74	70	3.80					204	2444	7.25	70	3.40					251	1986	5.89	69	4.10					78	6419	19.04	45	1.20					GR149 GRF149	4P	95	7191	15.64	67	1.70					GR149 GRF149	4P	88	5664	16.80	46	1.35			102	4892	14.51	46	1.55	115	4326	12.83	47	1.75			137	3638	10.79			46	2.10			170			2937	8.71			46	2.50	195			2559	7.59			46	1.90	GR179 GRF179	4P	106	6395	13.91			68	1.85			GR179 GRF179	4P	232	2151	6.38	45	2.20			287	1736	5.15	43	2.50	37	21876	39.92	114	0.80			GR179 GRF179	4P	43			18857	34.41							114			0.90	53	15322			27.96	114			1.10	63	12993	23.71	114	1.30	61			13464	24.57		114	1.00		68	11974	21.85	114	1.00			78	10429	19.03	114	1.45			GR179 GRF179	4P	74			11125	20.09	116	2.20	GR179 GRF179	4P			88	9348	16.88	105	2.90			102	8096	14.62	105	3.10	122	6745	12.18	98	4.45			37	21876	39.92	114	0.80					GR169 GRF169	4P	43					18857	34.41			114					0.90	53	15322	27.96	114	1.10	63	12993	23.71			114	1.30	61	13464	24.57	114	1.00	68	11974			21.85	114	1.00	78	10429			19.03	114	1.45			GR169 GRF169	4P	88			9305	16.98	114	1.50		103	7935		14.48	111	2.10	124	6571	11.99	108	2.40	146	5612	10.24	105	2.90																																																																																																																																																																																																																																																																																																																																																								
152	3284	9.74	70	3.80			204	2444	7.25	70	3.40					251	1986	5.89	69	4.10					78	6419	19.04	45	1.20					GR149 GRF149	4P	95	7191	15.64	67	1.70					GR149 GRF149	4P	88	5664	16.80	46	1.35					102	4892	14.51	46	1.55			115	4326	12.83	47	1.75	137	3638	10.79	46	2.10			170	2937	8.71			46	2.50			195			2559	7.59			46	1.90	GR179 GRF179	4P	106	6395	13.91			68	1.85			GR179 GRF179	4P	232	2151	6.38	45	2.20					287	1736	5.15	43	2.50			37	21876	39.92	114	0.80	GR179 GRF179	4P	43	18857	34.41					114			0.90	53							15322			27.96	114	1.10	63	12993	23.71	114			1.30	61	13464	24.57	114	1.00	68	11974	21.85	114	1.00		78	10429		19.03	114	1.45	GR179 GRF179	4P			74	11125	20.09	116	2.20					GR179 GRF179	4P	88	9348	16.88	105	2.90					102	8096	14.62	105	3.10			122	6745	12.18	98	4.45	37	21876	39.92	114	0.80			GR169 GRF169	4P	43	18857	34.41							114					0.90	53			15322	27.96	114			1.10	63	12993	23.71	114	1.30	61	13464	24.57	114	1.00	68	11974	21.85	114	1.00	78	10429	19.03	114			1.45	GR169 GRF169	4P	88	9305			16.98	114	1.50					103	7935	14.48	111	2.10	124	6571		11.99	108		2.40	146	5612	10.24	105	2.90																																																																																																																																																																																																																																																																																																																																																															
204	2444	7.25	70	3.40			251	1986	5.89	69	4.10					78	6419	19.04	45	1.20					GR149 GRF149	4P	95	7191	15.64	67	1.70					GR149 GRF149	4P	88	5664	16.80	46	1.35					102	4892	14.51	46	1.55					115	4326	12.83	47	1.75			137	3638	10.79	46	2.10	170	2937	8.71	46	2.50			195	2559	7.59			46	1.90			GR179 GRF179	4P	106	6395	13.91			68	1.85			GR179 GRF179	4P	232	2151	6.38	45	2.20					287	1736	5.15	43	2.50					37	21876	39.92	114	0.80			GR179 GRF179	4P	43	18857	34.41			114	0.90	53					15322			27.96	114				1.10	63		12993			23.71	114	1.30	61	13464	24.57	114	1.00	68	11974	21.85	114	1.00	78	10429	19.03	114	1.45	GR179 GRF179	4P		74	11125		20.09	116	2.20					GR179 GRF179	4P	88	9348	16.88	105	2.90					102	8096	14.62	105	3.10					122	6745	12.18	98	4.45			37	21876	39.92	114	0.80	GR169 GRF169	4P	43	18857	34.41					114	0.90	53							15322	27.96	114			1.10	63			12993	23.71	114	1.30	61	13464	24.57	114	1.00	68	11974	21.85	114	1.00	78	10429	19.03	114	1.45	GR169 GRF169	4P	88	9305	16.98	114			1.50			103	7935			14.48	111	2.10	124	6571			11.99	108	2.40	146	5612	10.24	105		2.90																																																																																																																																																																																																																																																																																																																																																																							
251	1986	5.89	69	4.10			78	6419	19.04	45	1.20					GR149 GRF149	4P	95	7191	15.64	67	1.70					GR149 GRF149	4P	88	5664	16.80	46	1.35					102	4892	14.51	46	1.55					115	4326	12.83	47	1.75					137	3638	10.79	46	2.10			170	2937	8.71	46	2.50	195	2559	7.59	46	1.90			GR179 GRF179	4P	106	6395	13.91	68	1.85					GR179 GRF179	4P	232	2151	6.38	45	2.20					287	1736	5.15	43	2.50					37	21876	39.92	114	0.80					GR179 GRF179	4P	43	18857	34.41					114	0.90	53			15322	27.96	114					1.10	63	12993	23.71	114				1.30	61		13464	24.57	114	1.00	68	11974	21.85	114	1.00	78	10429	19.03	114	1.45	GR179 GRF179	4P	74	11125	20.09	116	2.20				GR179 GRF179	4P		88	9348	16.88			105	2.90			102	8096	14.62	105	3.10					122	6745	12.18	98	4.45					37	21876	39.92	114	0.80			GR169 GRF169	4P	43	18857	34.41			114	0.90	53					15322	27.96	114	1.10	63					12993	23.71	114	1.30	61	13464	24.57			114	1.00	68	11974	21.85	114	1.00	78	10429	19.03	114	1.45	GR169 GRF169	4P	88	9305	16.98	114	1.50			103	7935	14.48	111			2.10			124	6571	11.99	108	2.40	146	5612	10.24	105			2.90																																																																																																																																																																																																																																																																																																																																																																															
78	6419	19.04	45	1.20			GR149 GRF149	4P	95	7191	15.64	67	1.70					GR149 GRF149	4P																																																																																																																																																																																																																																																																																																																																																																																																																																																																																																																																																																																																																																																					
88	5664	16.80	46	1.35	102	4892			14.51	46	1.55	115	4326	12.83	47					1.75	137	3638	10.79	46					2.10	170	2937	8.71	46					2.50	195	2559	7.59	46					1.90	GR179 GRF179	4P	106	6395					13.91	68	1.85	GR179 GRF179	4P			232	2151	6.38	45	2.20	287	1736	5.15	43	2.50	37	21876			39.92	114	0.80	GR179 GRF179	4P	43	18857					34.41	114	0.90	53	15322					27.96	114	1.10	63	12993					23.71	114	1.30	61	13464							24.57	114	1.00					68	11974	21.85			114	1.00	78	10429	19.03			114	1.45	GR179 GRF179	4P	74	11125	20.09		116	2.20		GR179 GRF179	4P	88	9348	16.88	105	2.90	102	8096	14.62	105	3.10	122	6745			12.18	98	4.45	37	21876			39.92			114	0.80	GR169 GRF169	4P			43	18857			34.41	114	0.90	53	15322					27.96	114	1.10	63	12993					23.71	114	1.30	61	13464					24.57	114	1.00			68	11974	21.85	114	1.00			78	10429	19.03	114	1.45	GR169 GRF169	4P			88	9305	16.98	114	1.50	103	7935			14.48	111	2.10	124	6571	11.99	108	2.40	146	5612	10.24	105			2.90																																																																																																																																																																																																																																																																																																																																																																																																										
102	4892	14.51	46	1.55	115	4326			12.83	47	1.75	137	3638	10.79	46					2.10	170	2937	8.71	46					2.50	195	2559	7.59	46					1.90	GR179 GRF179	4P	106	6395					13.91			68	1.85	GR179 GRF179	4P			232	2151	6.38			45	2.20	287	1736	5.15	43	2.50	37	21876	39.92	114	0.80	GR179 GRF179	4P			43	18857	34.41			114	0.90					53	15322	27.96	114	1.10					63	12993	23.71	114	1.30					61	13464	24.57	114	1.00	68	11974					21.85	114	1.00	78	10429			19.03	114	1.45			GR179 GRF179	4P	74	11125	20.09			116	2.20			GR179 GRF179	4P	88	9348	16.88	105	2.90			102	8096	14.62	105	3.10	122	6745	12.18	98	4.45	37	21876			39.92	114	0.80	GR169 GRF169	4P			43			18857	34.41					114	0.90			53	15322	27.96	114	1.10					63	12993	23.71	114	1.30			61	13464	24.57	114	1.00	68	11974	21.85	114			1.00	78	10429			19.03	114	1.45	GR169 GRF169	4P			88	9305	16.98	114	1.50					103	7935	14.48	111	2.10	124	6571	11.99	108	2.40	146	5612	10.24	105	2.90																																																																																																																																																																																																																																																																																																																																																																																																																			
115	4326	12.83	47	1.75	137	3638			10.79	46	2.10	170	2937	8.71	46					2.50	195	2559	7.59	46					1.90	GR179 GRF179	4P	106	6395					13.91			68	1.85	GR179 GRF179	4P			232			2151	6.38			45	2.20	287	1736	5.15			43	2.50	37	21876	39.92	114	0.80	GR179 GRF179	4P	43	18857	34.41					114	0.90	53			15322	27.96					114	1.10	63	12993	23.71					114	1.30	61	13464	24.57	114	1.00			68	11974	21.85	114	1.00	78	10429	19.03	114			1.45	GR179 GRF179	4P	74	11125			20.09	116	2.20					GR179 GRF179	4P	88	9348	16.88	105	2.90					102	8096	14.62	105	3.10			122	6745	12.18	98	4.45	37	21876	39.92	114	0.80	GR169 GRF169	4P			43	18857	34.41					114			0.90	53					15322	27.96			114	1.10	63	12993	23.71	114	1.30			61	13464	24.57	114	1.00	68	11974	21.85	114	1.00	78	10429	19.03	114	1.45	GR169 GRF169			4P	88	9305			16.98	114	1.50					103	7935	14.48	111	2.10			124	6571	11.99	108	2.40	146	5612	10.24	105	2.90																																																																																																																																																																																																																																																																																																																																																																																																																										
137	3638	10.79	46	2.10	170	2937			8.71	46	2.50	195	2559	7.59	46					1.90	GR179 GRF179	4P	106	6395					13.91			68	1.85	GR179 GRF179	4P			232			2151	6.38			45	2.20	287			1736	5.15			43	2.50	37	21876	39.92			114	0.80	GR179 GRF179	4P	43	18857	34.41			114	0.90	53					15322	27.96	114			1.10	63					12993	23.71	114	1.30	61	13464	24.57			114	1.00	68	11974	21.85	114	1.00	78	10429	19.03	114	1.45	GR179 GRF179	4P	74	11125	20.09	116			2.20			GR179 GRF179	4P			88	9348	16.88	105	2.90					102	8096	14.62	105	3.10					122	6745	12.18	98	4.45			37	21876	39.92	114	0.80	GR169 GRF169	4P	43	18857	34.41					114	0.90	53					15322			27.96	114			1.10	63	12993	23.71			114	1.30	61	13464	24.57	114	1.00	68	11974	21.85	114	1.00	78	10429	19.03	114	1.45	GR169 GRF169	4P	88	9305	16.98	114	1.50					103	7935			14.48	111	2.10			124	6571	11.99	108	2.40	146	5612			10.24	105	2.90																																																																																																																																																																																																																																																																																																																																																																																																																																	
170	2937	8.71	46	2.50	195	2559			7.59	46	1.90	GR179 GRF179	4P	106	6395					13.91			68	1.85	GR179 GRF179	4P			232			2151	6.38			45	2.20	287			1736	5.15			43	2.50	37			21876	39.92			114	0.80	GR179 GRF179	4P	43			18857	34.41			114	0.90	53			15322	27.96	114					1.10	63	12993			23.71	114	1.30	61			13464	24.57	114	1.00	68	11974	21.85	114	1.00	78	10429	19.03	114	1.45	GR179 GRF179	4P	74	11125	20.09	116	2.20			GR179 GRF179	4P	88	9348			16.88					105	2.90	102	8096	14.62	105	3.10					122	6745	12.18	98	4.45					37	21876	39.92	114	0.80			GR169 GRF169	4P	43	18857	34.41			114	0.90	53					15322	27.96	114			1.10	63	12993			23.71	114			1.30	61	13464	24.57	114	1.00	68	11974	21.85	114	1.00	78	10429	19.03	114	1.45	GR169 GRF169	4P	88	9305	16.98	114	1.50			103	7935	14.48	111	2.10					124	6571	11.99	108	2.40	146	5612			10.24	105	2.90																																																																																																																																																																																																																																																																																																																																																																																																																																										
195	2559	7.59	46	1.90	GR179 GRF179	4P			106	6395	13.91			68	1.85	GR179 GRF179	4P																																																																																																																																																																																																																																																																																																																																																																																																																																																																																																																																																																																																																																																							
232	2151	6.38	45	2.20			287	1736	5.15	43	2.50			37	21876			39.92	114	0.80			GR179 GRF179	4P			43	18857	34.41			114	0.90			53	15322	27.96			114	1.10			63	12993	23.71			114	1.30			61	13464			24.57			114	1.00			68	11974	21.85			114	1.00	78			10429	19.03	114	1.45	GR179 GRF179			4P	74	11125	20.09	116	2.20	GR179 GRF179	4P	88	9348	16.88	105	2.90	102	8096	14.62	105	3.10	122	6745			12.18	98	4.45	37	21876					39.92	114	0.80	GR169 GRF169	4P					43	18857	34.41	114	0.90	53	15322					27.96	114	1.10	63	12993					23.71	114	1.30	61	13464					24.57	114	1.00			68	11974	21.85			114	1.00	78	10429	19.03			114	1.45	GR169 GRF169	4P	88	9305	16.98			114	1.50	103	7935	14.48	111	2.10	124	6571	11.99	108	2.40	146	5612	10.24	105			2.90																																																																																																																																																																																																																																																																																																																																																																																																																																																																					
287	1736	5.15	43	2.50			37	21876	39.92	114	0.80			GR179 GRF179	4P			43	18857	34.41							114	0.90	53			15322	27.96			114	1.10	63			12993	23.71			114	1.30	61	13464	24.57	114	1.00			68	11974			21.85	114	1.00	78	10429			19.03	114	1.45			GR179 GRF179	4P	74			11125	20.09	116	2.20		GR179 GRF179	4P		88	9348	16.88	105	2.90			102	8096	14.62	105	3.10	122	6745	12.18	98	4.45	37	21876			39.92	114	0.80	GR169 GRF169	4P					43	18857	34.41							114	0.90	53	15322	27.96	114	1.10					63	12993	23.71	114	1.30	61	13464			24.57	114	1.00	68	11974	21.85	114			1.00	78	10429			19.03	114	1.45			GR169 GRF169	4P	88	9305	16.98			114	1.50			103	7935	14.48	111	2.10	124	6571	11.99	108	2.40	146	5612	10.24	105	2.90																																																																																																																																																																																																																																																																																																																																																																																																																																																																														
37	21876	39.92	114	0.80			GR179 GRF179	4P	43	18857	34.41							114	0.90	53							15322	27.96	114			1.10	63			12993	23.71	114	1.30	61	13464	24.57			114	1.00	68	11974	21.85	114	1.00	78	10429	19.03	114			1.45	GR179 GRF179	4P	74	11125			20.09	116	2.20					GR179 GRF179	4P	88	9348	16.88	105	2.90					102	8096	14.62	105	3.10			122	6745	12.18	98	4.45	37	21876	39.92	114	0.80	GR169 GRF169	4P			43	18857	34.41							114	0.90	53							15322	27.96	114	1.10	63	12993	23.71	114	1.30			61	13464	24.57	114	1.00	68	11974	21.85	114	1.00	78	10429	19.03	114	1.45	GR169 GRF169			4P	88	9305			16.98	114	1.50					103	7935	14.48	111	2.10	124	6571			11.99	108	2.40	146	5612	10.24	105	2.90																																																																																																																																																																																																																																																																																																																																																																																																																																																																																					
43	18857	34.41	114	0.90					53	15322	27.96							114	1.10	63							12993	23.71	114	1.30	61	13464	24.57			114	1.00	68	11974	21.85	114	1.00	78	10429	19.03	114	1.45	GR179 GRF179	4P	74	11125	20.09	116	2.20	GR179 GRF179			4P			88	9348			16.88	105	2.90	102	8096					14.62	105	3.10	122	6745					12.18	98	4.45	37	21876			39.92	114	0.80	GR169 GRF169	4P	43	18857	34.41	114	0.90					53	15322	27.96							114	1.10	63			12993	23.71			114	1.30	61	13464	24.57	114	1.00	68	11974	21.85	114	1.00	78	10429	19.03	114	1.45	GR169 GRF169	4P	88	9305	16.98	114	1.50	103	7935					14.48	111			2.10	124	6571	11.99	108			2.40	146	5612	10.24	105	2.90																																																																																																																																																																																																																																																																																																																																																																																																																																																																																																
53	15322	27.96	114	1.10					63	12993	23.71							114	1.30	61	13464	24.57					114	1.00	68	11974	21.85	114	1.00	78	10429	19.03	114	1.45	GR179 GRF179	4P	74	11125	20.09	116	2.20	GR179 GRF179	4P			88	9348	16.88	105	2.90							102	8096	14.62	105	3.10	122	6745	12.18	98					4.45	37	21876	39.92	114					0.80	GR169 GRF169	4P	43	18857			34.41	114	0.90			53	15322	27.96	114	1.10					63	12993	23.71			114	1.30			61	13464	24.57			114	1.00	68	11974	21.85	114	1.00	78	10429	19.03	114	1.45	GR169 GRF169	4P	88	9305	16.98	114	1.50	103	7935			14.48	111	2.10	124	6571	11.99	108					2.40	146	5612	10.24	105	2.90																																																																																																																																																																																																																																																																																																																																																																																																																																																																																																											
63	12993	23.71	114	1.30					61	13464	24.57	114	1.00					68	11974	21.85	114	1.00			78	10429	19.03	114	1.45	GR179 GRF179	4P	74	11125	20.09	116	2.20	GR179 GRF179	4P			88	9348	16.88	105	2.90					102	8096	14.62	105	3.10		122	6745				12.18	98	4.45	37	21876	39.92	114	0.80	GR169 GRF169					4P	43	18857	34.41	114					0.90			53	15322			27.96	114	1.10			63	12993	23.71	114	1.30			61	13464	24.57	114	1.00			68	11974	21.85	114	1.00	78	10429			19.03	114	1.45	GR169 GRF169	4P	88	9305	16.98	114	1.50	103	7935			14.48	111	2.10	124	6571	11.99	108			2.40	146	5612	10.24	105	2.90																																																																																																																																																																																																																																																																																																																																																																																																																																																																																																																						
61	13464	24.57	114	1.00	68	11974			21.85	114	1.00	78	10429			19.03	114	1.45	GR179 GRF179	4P	74	11125			20.09	116	2.20	GR179 GRF179	4P			88	9348	16.88	105	2.90					102	8096	14.62	105	3.10					122	6745	12.18	98	4.45		37	21876				39.92	114	0.80	GR169 GRF169	4P	43	18857	34.41							114	0.90	53	15322					27.96			114	1.10			63	12993	23.71			114	1.30	61	13464	24.57			114	1.00	68	11974	21.85			114	1.00	78	10429	19.03	114	1.45			GR169 GRF169	4P	88			9305	16.98	114	1.50	103	7935	14.48			111	2.10	124	6571	11.99	108	2.40			146	5612	10.24	105	2.90																																																																																																																																																																																																																																																																																																																																																																																																																																																																																																																							
68	11974	21.85	114	1.00	78	10429			19.03	114	1.45	GR179 GRF179	4P			74	11125	20.09			116	2.20	GR179 GRF179	4P	88	9348	16.88					105	2.90	102	8096	14.62					105	3.10	122	6745	12.18					98	4.45	37	21876	39.92		114	0.80				GR169 GRF169	4P	43			18857	34.41	114							0.90	53	15322	27.96	114			1.10	63			12993	23.71	114	1.30	61	13464	24.57			114	1.00	68	11974	21.85			114	1.00	78	10429	19.03			114	1.45	GR169 GRF169	4P	88	9305	16.98	114	1.50			103			7935	14.48	111	2.10	124	6571	11.99			108	2.40	146	5612	10.24	105	2.90																																																																																																																																																																																																																																																																																																																																																																																																																																																																																																																														
78	10429	19.03	114	1.45	GR179 GRF179	4P			74	11125	20.09			116	2.20	GR179 GRF179	4P																																																																																																																																																																																																																																																																																																																																																																																																																																																																																																																																																																																																																																																							
88	9348	16.88	105	2.90			102	8096	14.62	105	3.10			122	6745			12.18			98	4.45			37	21876	39.92					114	0.80	GR169 GRF169	4P	43					18857	34.41	114	0.90	53					15322	27.96	114	1.10	63		12993	23.71		114	1.30			61			13464	24.57	114		1.00	68	11974	21.85		114	1.00	78	10429	19.03	114	1.45	GR169 GRF169	4P			88	9305	16.98	114	1.50	103	7935			14.48	111	2.10	124	6571	11.99	108	2.40	146	5612	10.24	105	2.90																																																																																																																																																																																																																																																																																																																																																																																																																																																																																																																																																													
102	8096	14.62	105	3.10			122	6745	12.18	98	4.45			37	21876			39.92			114	0.80			GR169 GRF169	4P	43					18857	34.41			114					0.90	53	15322	27.96	114			1.10	63	12993	23.71	114	1.30	61	13464	24.57	114	1.00	68	11974			21.85			114	1.00	78		10429	19.03	114	1.45		GR169 GRF169	4P	88	9305	16.98	114	1.50					103	7935	14.48	111	2.10	124	6571	11.99	108	2.40	146	5612	10.24	105	2.90																																																																																																																																																																																																																																																																																																																																																																																																																																																																																																																																																																				
122	6745	12.18	98	4.45			37	21876	39.92	114	0.80			GR169 GRF169	4P			43			18857	34.41					114					0.90	53			15322			27.96	114	1.10	63	12993	23.71	114	1.30	61	13464	24.57	114	1.00	68	11974	21.85	114	1.00	78	10429	19.03	114			1.45			GR169 GRF169	4P	88		9305	16.98	114	1.50				103	7935	14.48	111	2.10			124	6571	11.99	108	2.40	146	5612	10.24	105	2.90																																																																																																																																																																																																																																																																																																																																																																																																																																																																																																																																																																											
37	21876	39.92	114	0.80			GR169 GRF169	4P	43	18857	34.41							114			0.90	53					15322			27.96	114	1.10	63			12993	23.71	114	1.30	61	13464	24.57	114	1.00	68	11974	21.85	114	1.00	78	10429	19.03	114	1.45	GR169 GRF169	4P	88	9305	16.98	114			1.50					103	7935	14.48	111	2.10	124	6571			11.99	108	2.40	146	5612			10.24	105	2.90																																																																																																																																																																																																																																																																																																																																																																																																																																																																																																																																																																																		
43	18857	34.41	114	0.90					53	15322	27.96							114	1.10	63	12993	23.71					114	1.30	61	13464	24.57	114	1.00			68	11974	21.85	114	1.00	78	10429	19.03	114	1.45	GR169 GRF169	4P	88	9305	16.98	114	1.50	103	7935			14.48	111	2.10	124			6571	11.99	108			2.40	146	5612	10.24	105	2.90																																																																																																																																																																																																																																																																																																																																																																																																																																																																																																																																																																																															
53	15322	27.96	114	1.10					63	12993	23.71	114	1.30					61	13464	24.57	114	1.00	68	11974			21.85	114	1.00	78	10429	19.03	114			1.45	GR169 GRF169	4P	88	9305	16.98	114	1.50	103	7935			14.48	111	2.10	124	6571	11.99	108			2.40	146	5612	10.24	105	2.90																																																																																																																																																																																																																																																																																																																																																																																																																																																																																																																																																																																																										
63	12993	23.71	114	1.30	61	13464			24.57	114	1.00	68	11974			21.85	114	1.00	78	10429	19.03	114	1.45	GR169 GRF169			4P	88	9305	16.98	114	1.50	103			7935			14.48	111	2.10	124	6571	11.99	108			2.40	146	5612	10.24	105	2.90																																																																																																																																																																																																																																																																																																																																																																																																																																																																																																																																																																																																																			
61	13464	24.57	114	1.00	68	11974			21.85	114	1.00	78	10429			19.03	114	1.45	GR169 GRF169	4P	88	9305	16.98					114	1.50	103	7935	14.48	111	2.10	124	6571			11.99	108	2.40	146	5612	10.24	105			2.90																																																																																																																																																																																																																																																																																																																																																																																																																																																																																																																																																																																																																								
68	11974	21.85	114	1.00	78	10429			19.03	114	1.45	GR169 GRF169	4P			88	9305	16.98			114	1.50	103		7935	14.48		111	2.10	124	6571	11.99	108	2.40	146	5612			10.24	105	2.90																																																																																																																																																																																																																																																																																																																																																																																																																																																																																																																																																																																																																															
78	10429	19.03	114	1.45	GR169 GRF169	4P			88	9305	16.98			114	1.50	103	7935	14.48			111	2.10	124		6571	11.99		108	2.40	146	5612	10.24	105	2.90																																																																																																																																																																																																																																																																																																																																																																																																																																																																																																																																																																																																																																						
88	9305	16.98	114	1.50			103	7935	14.48	111	2.10			124	6571	11.99	108	2.40			146	5612	10.24		105	2.90																																																																																																																																																																																																																																																																																																																																																																																																																																																																																																																																																																																																																																														
103	7935	14.48	111	2.10			124	6571	11.99	108	2.40			146	5612	10.24	105	2.90																																																																																																																																																																																																																																																																																																																																																																																																																																																																																																																																																																																																																																																						
124	6571	11.99	108	2.40			146	5612	10.24	105	2.90																																																																																																																																																																																																																																																																																																																																																																																																																																																																																																																																																																																																																																																													
146	5612	10.24	105	2.90																																																																																																																																																																																																																																																																																																																																																																																																																																																																																																																																																																																																																																																																				

选型参数表
(恒功率) 90kW-160kW
Selection Table
(Constant Power) 90kW-160kW

n_a [r/min]	M_a [Nm]	i	F_{Ra} [kN]	f_B	机型号 Type size	极数 Pole	n_a [r/min]	M_a [Nm]	i	F_{Ra} [kN]	f_B	机型号 Type size	极数 Pole																																																																																																																																																																									
90kW							110kW																																																																																																																																																																															
73	11201	20.44	62	1.00	GR149 GRF149	4P	78	12746	19.03	110	1.20	GR169 GRF169	4P																																																																																																																																																																									
83	9886	18.04	64	1.00			95	8571	15.64	66	1.45			107	7623	13.91	67	1.55	124	6571	11.99	68	1.85	153	5338	9.74	69	2.30	180	4527	8.26	69	2.70	206	3973	7.25	67	2.10	253	3228	5.89	65	2.50	296	2740	5.00	63	3.00	110kW							132kW							26	38392	57.32	128	0.90	GR179 GRF179	4P	31	38186	47.51	128	0.90	GR179 GRF179	4P	31	31821	47.51	128	1.05	37	27274	40.72	128	1.30	45	22223	33.18	128	1.50	64	15784	23.32	116	1.35	74	13598	20.09	116	1.80	GR179 GRF179	4P	74	16317	20.09	116	1.50	GR179 GRF179	4P	88	11425	16.88	105	2.35	102	9895	14.62	105	2.55	122	8244	12.18	98	3.70	148	7026	10.38	85	5.10	53	18727	27.96	111	0.90	GR169 GRF169	4P	160kW							63	15881	23.71	111	1.05	88	13710	16.88	116	1.60	GR179 GRF179	4P	88	13710	16.88	116	1.60	102	11874	14.62	105	1.75	122	9893	12.18	98	2.50	144	8431	10.38	85	3.50						
95	8571	15.64	66	1.45			107	7623	13.91	67	1.55			124	6571	11.99	68	1.85	153	5338	9.74	69	2.30	180	4527	8.26	69	2.70	206	3973	7.25	67	2.10	253	3228	5.89	65	2.50	296	2740	5.00	63	3.00	110kW							132kW							26	38392	57.32	128	0.90	GR179 GRF179	4P	31	38186	47.51			128	0.90	GR179 GRF179	4P	31			31821	47.51	128	1.05	37	27274	40.72	128	1.30	45	22223	33.18	128	1.50	64	15784	23.32	116	1.35	74	13598	20.09	116	1.80	GR179 GRF179			4P	74	16317	20.09	116			1.50	GR179 GRF179	4P	88	11425	16.88	105	2.35	102	9895	14.62	105	2.55	122	8244	12.18	98	3.70	148	7026	10.38	85	5.10	53	18727			27.96	111	0.90	GR169 GRF169	4P	160kW							63	15881	23.71	111	1.05			88	13710	16.88	116	1.60	GR179 GRF179	4P	88	13710	16.88	116	1.60	102	11874	14.62	105	1.75	122	9893	12.18	98	2.50	144	8431	10.38	85
107	7623	13.91	67	1.55			124	6571	11.99	68	1.85			153	5338	9.74	69	2.30	180	4527	8.26	69	2.70	206	3973	7.25	67	2.10	253	3228	5.89	65	2.50	296	2740	5.00	63	3.00	110kW							132kW							26	38392	57.32	128	0.90	GR179 GRF179	4P	31	38186	47.51			128	0.90	GR179 GRF179			4P	31			31821			47.51	128	1.05	37	27274	40.72	128	1.30	45	22223	33.18	128	1.50	64	15784	23.32	116	1.35	74	13598	20.09	116	1.80	GR179 GRF179					4P	74	16317	20.09			116			1.50	GR179 GRF179	4P	88	11425	16.88	105	2.35	102	9895	14.62	105	2.55	122	8244	12.18	98	3.70	148	7026	10.38	85	5.10	53	18727	27.96	111			0.90	GR169 GRF169	4P	160kW							63	15881			23.71	111	1.05	88	13710			16.88	116	1.60	GR179 GRF179	4P	88	13710	16.88	116	1.60	102	11874	14.62	105	1.75	122	9893	12.18	98
124	6571	11.99	68	1.85			153	5338	9.74	69	2.30			180	4527	8.26	69	2.70	206	3973	7.25	67	2.10	253	3228	5.89	65	2.50	296	2740	5.00	63	3.00	110kW							132kW							26	38392	57.32	128	0.90	GR179 GRF179	4P	31	38186	47.51			128	0.90	GR179 GRF179			4P	31					31821			47.51	128	1.05	37	27274	40.72	128	1.30	45	22223	33.18	128	1.50	64	15784	23.32	116	1.35	74	13598	20.09	116	1.80	GR179 GRF179	4P	74							16317	20.09	116			1.50			GR179 GRF179			4P	88	11425	16.88	105	2.35	102	9895	14.62	105	2.55	122	8244	12.18	98	3.70	148	7026	10.38	85	5.10	53	18727	27.96	111	0.90	GR169 GRF169			4P	160kW							63	15881	23.71	111	1.05	88	13710	16.88			116	1.60	GR179 GRF179			4P	88	13710	16.88	116	1.60	102	11874	14.62	105	1.75	122	9893	12.18
153	5338	9.74	69	2.30			180	4527	8.26	69	2.70	206	3973	7.25	67	2.10	253	3228	5.89	65	2.50	296	2740	5.00	63	3.00	110kW							132kW							26	38392	57.32	128	0.90	GR179 GRF179	4P	31	38186	47.51	128	0.90			GR179 GRF179	4P	31			31821	47.51					128					1.05	37	27274	40.72	128	1.30	45	22223	33.18	128	1.50	64	15784	23.32	116	1.35	74	13598	20.09	116	1.80	GR179 GRF179	4P	74	16317	20.09			116							1.50	GR179 GRF179	4P			88							11425	16.88	105	2.35	102	9895	14.62	105	2.55	122	8244	12.18	98	3.70	148	7026	10.38	85	5.10	53	18727	27.96	111	0.90	GR169 GRF169		4P	160kW							63	15881	23.71	111	1.05	88	13710	16.88	116	1.60	GR179 GRF179	4P	88	13710					16.88	116	1.60	102	11874	14.62	105	1.75	122	9893	12.18	98	2.50
180	4527	8.26	69	2.70			206	3973	7.25	67	2.10	253	3228	5.89	65	2.50	296	2740	5.00	63	3.00	110kW							132kW							26	38392	57.32	128	0.90	GR179 GRF179	4P	31	38186	47.51			128	0.90	GR179 GRF179	4P	31					31821			47.51	128					1.05	37	27274	40.72	128	1.30	45	22223	33.18	128	1.50	64	15784	23.32	116	1.35	74	13598	20.09	116	1.80	GR179 GRF179	4P	74	16317	20.09			116	1.50	GR179 GRF179			4P			88	11425			16.88			105	2.35	102							9895	14.62	105	2.55	122	8244	12.18	98	3.70	148	7026	10.38	85	5.10	53	18727	27.96	111	0.90	GR169 GRF169	4P	160kW							63	15881	23.71	111	1.05	88	13710	16.88	116	1.60	GR179 GRF179	4P	88	13710	16.88	116			1.60	102		11874	14.62		105	1.75	122	9893	12.18	98	2.50	144	8431	10.38	85	3.50	
206	3973	7.25	67	2.10			253	3228	5.89	65	2.50	296	2740	5.00	63	3.00	110kW							132kW							26	38392	57.32	128	0.90	GR179 GRF179	4P	31	38186	47.51			128	0.90	GR179 GRF179			4P	31			31821					47.51			128	1.05	37	27274	40.72	128	1.30	45	22223	33.18	128	1.50	64	15784	23.32	116	1.35	74	13598	20.09	116	1.80	GR179 GRF179	4P	74	16317	20.09			116	1.50	GR179 GRF179			4P	88						11425	16.88	105	2.35		102			9895	14.62	105	2.55	122					8244	12.18	98	3.70	148	7026	10.38	85	5.10	53	18727	27.96	111	0.90	GR169 GRF169	4P	160kW							63	15881	23.71	111	1.05	88	13710	16.88	116	1.60	GR179 GRF179	4P	88	13710	16.88			116	1.60	102	11874			14.62	105	1.75	122	9893	12.18	98	2.50	144	8431	10.38	85	3.50						
253	3228	5.89	65	2.50			296	2740	5.00	63	3.00	110kW							132kW							26	38392	57.32	128	0.90	GR179 GRF179	4P	31	38186	47.51			128	0.90	GR179 GRF179			4P	31					31821			47.51			128	1.05	37	27274	40.72	128	1.30	45	22223	33.18	128	1.50	64	15784	23.32	116	1.35	74	13598	20.09	116	1.80	GR179 GRF179	4P	74	16317	20.09			116	1.50	GR179 GRF179			4P	88					11425					16.88	105	2.35	102	9895	14.62	105			2.55	122	8244	12.18	98		3.70	148		7026	10.38	85	5.10	53	18727	27.96	111	0.90	GR169 GRF169	4P	160kW							63	15881	23.71	111	1.05	88	13710	16.88	116	1.60	GR179 GRF179	4P	88	13710	16.88			116	1.60	102			11874	14.62	105	1.75	122	9893	12.18	98	2.50	144	8431	10.38	85	3.50											
296	2740	5.00	63	3.00			110kW							132kW							26	38392	57.32	128	0.90	GR179 GRF179	4P	31	38186	47.51			128	0.90	GR179 GRF179			4P	31					31821					47.51	128	1.05	37	27274	40.72	128	1.30	45	22223	33.18	128	1.50	64	15784	23.32	116	1.35	74	13598	20.09	116	1.80	GR179 GRF179	4P	74	16317	20.09			116	1.50	GR179 GRF179			4P	88					11425					16.88		105	2.35		102	9895	14.62	105	2.55	122	8244			12.18	98	3.70	148	7026	10.38	85	5.10	53	18727	27.96	111	0.90	GR169 GRF169	4P	160kW							63	15881	23.71	111	1.05	88	13710	16.88	116	1.60	GR179 GRF179	4P	88	13710	16.88			116	1.60	102			11874	14.62	105	1.75	122	9893	12.18	98	2.50	144	8431	10.38	85	3.50																
110kW							132kW																																																																																																																																																																															
26	38392	57.32	128	0.90	GR179 GRF179	4P	31	38186	47.51	128	0.90	GR179 GRF179	4P																																																																																																																																																																									
31	31821	47.51	128	1.05			37	27274	40.72	128	1.30			45	22223	33.18	128	1.50	64	15784	23.32	116	1.35	74	13598			20.09	116	1.80			GR179 GRF179	4P	74	16317	20.09	116	1.50	GR179 GRF179	4P	88	11425	16.88	105	2.35	102	9895	14.62	105	2.55	122	8244	12.18	98	3.70	148	7026	10.38	85	5.10	53	18727	27.96	111	0.90	GR169 GRF169	4P	160kW							63			15881	23.71		111	1.05		88		13710	16.88		116	1.60	GR179 GRF179	4P	88	13710	16.88	116	1.60	102	11874	14.62	105	1.75	122	9893	12.18	98	2.50	144	8431	10.38	85	3.50																																																																					
37	27274	40.72	128	1.30			45	22223	33.18	128	1.50			64	15784	23.32	116	1.35	74	13598	20.09	116	1.80	GR179 GRF179	4P			74	16317	20.09	116	1.50			GR179 GRF179	4P	88	11425	16.88			105	2.35	102	9895	14.62	105	2.55	122	8244	12.18	98	3.70	148	7026	10.38	85	5.10	53	18727	27.96	111	0.90	GR169 GRF169	4P	160kW								63	15881	23.71	111	1.05	88	13710		16.88	116		1.60	GR179 GRF179	4P	88	13710	16.88	116			1.60	102	11874	14.62	105	1.75	122	9893	12.18	98	2.50	144	8431	10.38	85	3.50																																																																									
45	22223	33.18	128	1.50			64	15784	23.32	116	1.35	74	13598	20.09	116	1.80	GR179 GRF179	4P	74	16317	20.09	116	1.50			GR179 GRF179	4P	88	11425	16.88	105	2.35					102	9895	14.62			105	2.55	122	8244	12.18	98	3.70	148	7026	10.38	85	5.10	53	18727	27.96	111	0.90	GR169 GRF169	4P	160kW							63	15881	23.71	111	1.05	88	13710	16.88	116	1.60	GR179 GRF179	4P	88	13710	16.88	116	1.60	102			11874	14.62	105	1.75			122	9893	12.18	98	2.50	144	8431	10.38	85	3.50																																																																															
64	15784	23.32	116	1.35			74	13598	20.09	116	1.80	GR179 GRF179	4P	74	16317	20.09			116	1.50	GR179 GRF179	4P	88					11425	16.88	105	2.35	102					9895	14.62	105			2.55	122	8244	12.18	98	3.70	148	7026	10.38	85	5.10	53	18727	27.96	111	0.90	GR169 GRF169			4P	160kW							63	15881	23.71	111	1.05	88	13710	16.88	116			1.60	GR179 GRF179	4P	88	13710	16.88			116	1.60	102	11874	14.62	105	1.75	122	9893	12.18	98	2.50	144	8431	10.38	85	3.50																																																																														
74	13598	20.09	116	1.80	GR179 GRF179	4P	74	16317	20.09	116	1.50			GR179 GRF179	4P																																																																																																																																																																							
88	11425	16.88	105	2.35			102	9895	14.62	105	2.55					122			8244	12.18			98					3.70	148	7026	10.38	85	5.10	53			18727	27.96	111	0.90	GR169 GRF169	4P	160kW							63	15881	23.71	111	1.05	88	13710	16.88	116	1.60	GR179 GRF179	4P	88	13710	16.88	116	1.60	102	11874	14.62	105	1.75	122	9893	12.18	98	2.50	144	8431	10.38	85			3.50																																																																																																			
102	9895	14.62	105	2.55			122	8244	12.18	98	3.70					148			7026	10.38			85	5.10	53			18727	27.96	111	0.90	GR169 GRF169	4P	160kW									63	15881	23.71	111	1.05	88	13710	16.88	116	1.60	GR179 GRF179	4P	88	13710	16.88	116	1.60			102	11874	14.62	105	1.75	122	9893	12.18	98	2.50	144	8431	10.38	85	3.50																																																																																																										
122	8244	12.18	98	3.70			148	7026	10.38	85	5.10					53	18727	27.96	111	0.90			GR169 GRF169	4P	160kW									63	15881	23.71	111	1.05	88	13710	16.88	116	1.60	GR179 GRF179	4P	88	13710	16.88	116	1.60	102	11874			14.62	105	1.75	122	9893			12.18	98	2.50	144	8431	10.38	85	3.50																																																																																																																	
148	7026	10.38	85	5.10			53	18727	27.96	111	0.90	GR169 GRF169	4P			160kW									63	15881	23.71	111	1.05	88	13710	16.88	116	1.60	GR179 GRF179	4P	88	13710	16.88	116	1.60	102	11874			14.62	105	1.75	122	9893	12.18	98			2.50	144	8431	10.38	85	3.50																																																																																																																										
53	18727	27.96	111	0.90	GR169 GRF169	4P	160kW																																																																																																																																																																															
63	15881	23.71	111	1.05			88	13710	16.88	116	1.60	GR179 GRF179	4P	88	13710	16.88	116	1.60	102	11874	14.62	105	1.75	122	9893	12.18	98	2.50	144	8431	10.38	85	3.50																																																																																																																																																					
88	13710	16.88	116	1.60	GR179 GRF179	4P	88	13710	16.88	116	1.60																																																																																																																																																																											
102	11874	14.62	105	1.75			122	9893	12.18	98	2.50			144	8431	10.38	85	3.50																																																																																																																																																																				
122	9893	12.18	98	2.50			144	8431	10.38	85	3.50																																																																																																																																																																											
144	8431	10.38	85	3.50																																																																																																																																																																																		

选型参数表

Selection Table

(恒转矩) 130Nm-450Nm

(Constant Torque) 130Nm-450Nm

M _{amax} [Nm]	n _a [r/min]	i	F _{Ra} [kN]	机型号 Type size	P [kW]/4P	M _{amax} [Nm]	n _a [r/min]	i	F _{Ra} [kN]	机型号 Type size	P [kW]/4P			
130	0.16	8612	4	GR29R19 GRF29R19	0.12	200	4.8	289	4.7	GR39R19 GRF39R19	0.18			
	0.19	7425	4				5.2	265	4.7					
	0.20	6921	4				6.2	226	4.7					
	0.23	6050	4				6.9	202	4.7					
	0.27	5217	4				7.8	179	4.7	GR39R19 GRF39R19	0.25			
	0.30	4661	4				8.9	156	4.7					
	0.34	4073	4				10	135	4.7					
	0.40	3516	4				11	127	4.7					
	0.44	3160	4				13	104	4.7	GR39R19 GRF39R19	0.37			
	0.50	2763	4				15	90	4.7					
	0.58	2414	4				GR29R19 GRF29R19	0.12	300	0.10	13598	5.1	GR49R39 GRF49R39	0.12
	0.66	2110	4							0.11	12472	5.1		
	0.76	1822	4							0.13	10619	5.1		
	0.88	1580	4							0.15	9155	5.1		
	0.95	1464	4	0.16	8534	5.1								
	1.1	1270	4	0.19	7460	5.1								
	1.3	1100	4	0.20	6993	5.1								
	1.4	972	4	0.23	6171	5.1								
	1.7	840	4	0.25	5624	5.1								
	1.9	741	4	0.29	4849	5.1								
	2.1	654	4	0.31	4520	5.1								
	2.5	566	4	0.35	3951	5.1								
	2.8	499	4	0.38	3704	5.1								
	3.2	440	4	0.43	3268	5.1								
	3.6	381	4	0.48	2898	5.1								
	4.2	329	4	0.56	2463	5.1								
	4.8	290	4	0.54	2598	5.1	GR49R39 GRF49R39	0.12						
	5.4	256	4	0.58	2383	5.1								
6.1	227	4	0.69	2029	5.1									
6.8	203	4	0.79	1749	5.1									
7.8	179	4	0.85	1630	5.1									
8.9	156	4	0.98	1425	5.1									
10	135	4	1.0	1336	5.1									
12	118	4	1.2	1179	5.1									
13	104	4	1.3	1074	5.1									
15	90	4	1.5	927	5.1									
200	0.16	8595	4.7	GR39R19 GRF39R19	0.12	200	1.6	863	5.1	GR49R39 GRF49R39	0.12			
	0.19	7411	4.7				1.8	755	5.1					
	0.20	6907	4.7				2.5	546	5.1					
	0.23	6038	4.7				2.8	502	5.1					
	0.27	5206	4.7				3.2	429	5.1	GR49R39 GRF49R39	0.18			
	0.30	4651	4.7				3.7	372	5.1					
	0.34	4065	4.7				4.0	348	5.1					
	0.38	3658	4.7				4.6	301	5.1					
	0.44	3154	4.7				5.5	255	5.1	GR49R39 GRF49R39	0.25			
	0.50	2757	4.7				6.1	228	5.1					
	0.58	2409	4.7				GR39R19 GRF39R19	0.12	450	0.10	14369	6.7	GR59R39 GRF59R39	0.12
	0.66	2106	4.7							0.11	12095	6.7		
	0.76	1818	4.7							0.13	10860	6.7		
	0.88	1576	4.7							0.15	9445	6.7		
	1.0	1359	4.7	0.16	8480	6.7								
	1.1	1267	4.7	0.19	7312	6.7								
	1.3	1098	4.7	0.21	6521	6.7								
	1.4	970	4.7	0.25	5585	6.7								
	1.7	839	4.7	0.28	4928	6.7								
	1.9	740	4.7	0.32	4378	6.7								
	2.1	653	4.7	0.36	3873	6.7								
	2.4	577	4.7	0.42	3344	6.7								
	2.8	498	4.7	0.48	2907	6.7								
	3.2	439	4.7	0.54	2567	6.7								
	3.7	378	4.7	0.62	2244	6.7								
	4.2	328	4.7	0.71	1967	6.7								

选型参数表
(恒转矩) 450Nm-1550Nm
Selection Table
(Constant Torque) 450Nm-1550Nm

M _{amax} [Nm]	n _a [r/min]	i	F _{Ra} [kN]	机型号 Type size	P [kW]/4P	M _{amax} [Nm]	n _a [r/min]	i	F _{Ra} [kN]	机型号 Type size	P [kW]/4P	
450	0.80	1732	6.7	GR59R39 GRF59R39	0.12	820	0.16	8714	9.4	GR79R39 GRF79R39	0.12	
	0.89	1555	6.7				0.18	7617	9.4			
	0.99	1399	6.7				0.21	6770	9.4			
	1.2	1189	6.7				0.24	5838	9.4			
	1.3	1034	6.7				0.27	5184	9.4			
	1.8	782	6.7				0.31	4470	9.4			
	2.1	678	6.7	0.35	3999		9.4	GR79R39 GRF79R39	0.12			
	2.3	604	6.7	0.40	3488		9.4					
	2.6	537	6.7	0.46	3053		9.4					
	3.0	471	6.7	0.52	2671		9.4					
	3.9	357	6.7	0.44	3151		9.4					
	4.4	319	6.7	0.48	2890		9.4					
	5.1	273	6.7	0.57	2460		9.4			GR79R39 GRF79R39	0.12	
	5.8	241	6.7	0.66	2121		9.4					
600	0.09	15361	7.2	GR69R39 GRF69R39	0.12	0.70	1977					9.4
	0.11	12931	7.2			0.80	1728					9.4
	0.12	11996	7.2			0.86	1620					9.4
	0.14	10097	7.2			0.97	1430					9.4
	0.15	9066	7.2			1.1	1303					9.4
	0.18	7816	7.2			1.2	1124					9.4
	0.21	6732	7.2			1.3	1047	9.4	GR79R39 GRF79R39			0.18
	0.23	5970	7.2			1.5	915	9.4				
	0.26	5268	7.2			1.6	858	9.4				
	0.30	4680	7.2			1.8	757	9.4				
	0.34	4136	7.2			2.1	671	9.4				
	0.39	3566	7.2			2.4	571	9.4				
	0.44	3125	7.2			2.5	560	9.4				
	0.51	2745	7.2			2.8	488	9.4		GR79R39 GRF79R39	0.25	
0.58	2403	7.2	3.2	436	9.4							
0.52	2682	7.2	3.7	373	9.4							
0.57	2460	7.2	4.3	327	9.4							
0.66	2094	7.2	4.8	289	9.4							
0.77	1805	7.2	5.3	260	9.4							
0.85	1629	7.2	1550	0.08	17527	16	GR89R59 GRF89R59	0.12				
0.94	1471	7.2		0.09	15375	16						
1.0	1379	7.2		0.10	13872	16						
1.9	730	7.2		0.12	12076	16						
2.4	571	7.2		0.13	10594	16						
2.9	486	7.2		0.15	9283	16						
0.84	1652	7.2		0.17	8144	16						
0.97	1432	7.2		0.20	7069	16						
1.1	1259	7.2		0.22	6201	16						
1.3	1106	7.2		0.25	5473	16						
1.7	836	7.2		0.29	4852	16						
1.9	750	7.2		0.33	4224	16						
2.2	646	7.2		0.37	3761	16						
2.4	574	7.2		0.43	3247	16						
2.8	495	7.2	0.48	2885	16							
3.2	438	7.2	0.71	1969	16							
3.6	388	7.2	0.34	4037	16							
4.0	344	7.2	0.44	3195	16							
4.7	294	7.2	0.50	2781	16							
820	0.08	16370	9.4	GR79R39 GRF79R39	0.12	0.53	2606	16				
	0.09	15015	9.4			0.65	2138	16				
	0.10	13885	9.4			0.72	1938	16				
	0.11	12783	9.4			0.80	1740	16				
	0.13	11021	9.4			0.93	1495	16				
	0.14	9788	9.4									

选型参数表

(恒转矩) 1550Nm-4300Nm

Selection Table

(Constant Torque) 1550Nm-4300Nm

M_{amax} [Nm]	n_a [r/min]	i	F_{Ra} [kN]	机型号 Type size	P [kW]/4P	M_{amax} [Nm]	n_a [r/min]	i	F_{Ra} [kN]	机型号 Type size	P [kW]/4P	
1550	1	1401	16		0.25	3000	1.8	755	19	GR99R59 GRF99R59	0.75	
	1.1	1237	16	GR89R59 GRF89R59			0.37	0.76	1823	19		GR99R59 GRF99R59
	1.2	1150	16					0.18	0.88	1583	19	GR99R59 GRF99R59
	1.3	1042	16				1		1396	19		
	1.7	806	16	GR89R59 GRF89R59	0.37		1.1	1228	19	GR99R59 GRF99R59	0.75	
	1.8	758	16				1.3	1069	19	GR99R59 GRF99R59		
	0.8	1744	16	GR89R59 GRF89R59	0.18		1.5	938	19		1.1	
	0.9	1530	16				1.7	824	19	GR99R59 GRF99R59		
	1.1	1308	16	GR89R59 GRF89R59	0.25		1.9	737	19	GR99R59 GRF99R59	0.75	
	1.4	1012	16				2.2	632	19	GR99R59 GRF99R59		
	1.6	889	16	GR89R59 GRF89R59	0.37		2.5	560	19	GR99R59 GRF99R59	1.1	
	2	688	16				2.9	484	19			
	2.3	601	16	GR89R59 GRF89R59	0.55		3.2	431	19	GR99R59 GRF99R59	1.5	
	3.5	399	16				3.7	379	19	GR99R59 GRF99R59		
	3.9	354	16	GR89R59 GRF89R59	0.75		4.2	336	19		2.2	
	4.6	306	16				4.8	296	19	GR99R59 GRF99R59		
	5.2	269	16	GR89R59 GRF89R59	1.1		5.7	249	19	GR99R59 GRF99R59	2.2	
	2.6	540	16				6.1	234	19			
	2.9	474	16	GR89R59 GRF89R59	0.55		2.2	625	19	GR99R59 GRF99R59	1.1	
	3.5	402	16				2.6	549	19	GR99R59 GRF99R59		
3.8	363	16	GR89R59 GRF89R59	0.75	5.3	270	19	GR99R59 GRF99R59	2.2			
4.7	301	16			6.3	227	19	GR99R59 GRF99R59				
5.4	257	16	GR89R59 GRF89R59	1.1	4300	0.07	20018	28		0.12		
3000	0.06	21769	19				0.08	17080	28			
	0.07	19332	19			0.09	14936	28				
	0.08	17230	19			0.11	12829	28	GR109R79 GRF109R79			
	0.09	14999	19			0.12	11256	28				
	0.1	13320	19			0.15	9547	28				
	0.12	11156	19	GR99R59 GRF99R59		0.12	0.16	8618	28			
	0.14	10030	19				0.18	7583	28			
	0.16	8706	19			0.21	6743	28				
	0.18	7692	19			0.24	5914	28	GR109R79 GRF109R79		0.18	
	0.21	6708	19			0.27	5168	28	GR109R79 GRF109R79			
	0.23	5931	19			0.31	4435	28				
	0.27	5161	19			0.36	3896	28	GR109R79 GRF109R79		0.25	
	0.35	4004	19	GR99R59 GRF99R59		0.18	0.46	3039	28			GR109R79 GRF109R79
	0.4	3481	19				0.35	3918	28		GR109R79 GRF109R79	0.18
	0.3	4678	19	GR99R59 GRF99R59		0.12	0.42	3343	28		GR109R79 GRF109R79	
	0.32	4309	19		0.46		3034	28	GR109R79 GRF109R79	0.25		
	0.38	3702	19	GR99R59 GRF99R59	0.18	0.52	2653	28	GR109R79 GRF109R79			
	0.46	3019	19			0.61	2280	28	GR109R79 GRF109R79	0.37		
	0.52	2668	19	GR99R59 GRF99R59	0.25	0.67	2067	28				
	0.62	2245	19			0.82	1693	28	GR109R79 GRF109R79	0.55		
0.69	2016	19		0.9	1550	28	GR109R79 GRF109R79					
0.8	1733	19	GR99R59 GRF99R59	0.37	0.99	1407	28					
0.86	1623	19			1.1	1209	28	GR109R79 GRF109R79	0.75			
0.97	1434	19		1.3	1055	28	GR109R79 GRF109R79					
1.2	1207	19		1.5	919	28						
1.3	1084	19	GR99R59 GRF99R59	0.55	1.7	815	28	GR109R79 GRF109R79	1.1			
1.5	934	19			2	717	28					
1.6	878	19		2.2	626	28	GR109R79 GRF109R79	1.5				
				2.7	528	28	GR109R79 GRF109R79					

选型参数表
(恒转矩) 4300Nm-13000Nm
Selection Table
(Constant Torque) 4300Nm-13000Nm

M_{amax} [Nm]	n_a [r/min]	i	F_{Ra} [kN]	机型号 Type size	P [kW]/4P	M_{amax} [Nm]	n_a [r/min]	i	F_{Ra} [kN]	机型号 Type size	P [kW]/4P
4300	0.7	1987	28	GR109R79 GRF109R79	0.37	8000	1.3	1105	51	GR139R79 GRF139R79	1.5
	0.76	1827	28	GR109R79 GRF109R79	0.55		1.3	1043	51	GR139R79 GRF139R79	2.2
	0.87	1599	28	GR109R79 GRF109R79	0.75		1.6	888	51	GR139R79 GRF139R79	0.55
	0.99	1400	28	GR109R79 GRF109R79	1.1		2	699	51	GR139R79 GRF139R79	0.75
	1.1	1226	28	GR109R79 GRF109R79	1.5		2.3	609	51	GR139R79 GRF139R79	1.1
	1.3	1104	28	GR109R79 GRF109R79	2.2		0.52	2658	51	GR139R79 GRF139R79	1.5
	1.5	939	28	GR109R79 GRF109R79	3		0.58	2412	51	GR139R79 GRF139R79	2.2
	1.7	822	28	GR109R79 GRF109R79	4		0.67	2073	51	GR139R79 GRF139R79	3
	2.3	614	28	GR109R79 GRF109R79	1.5		0.76	1839	51	GR139R79 GRF139R79	1.1
	2.6	544	28	GR109R79 GRF109R79	2.2		0.88	1598	51	GR139R79 GRF139R79	1.5
	2.8	492	28	GR109R79 GRF109R79	3		1	1397	51	GR139R79 GRF139R79	2.2
	3.4	417	28	GR109R79 GRF109R79	4		1.1	1226	51	GR139R79 GRF139R79	3
	3.8	369	28	GR109R79 GRF109R79	1.5		1.3	1090	51	GR139R79 GRF139R79	1.5
	4.4	323	28	GR109R79 GRF109R79	2.2		1.5	951	51	GR139R79 GRF139R79	2.2
	5	285	28	GR109R79 GRF109R79	3		1.7	831	51	GR139R79 GRF139R79	3
	5.6	253	28	GR109R79 GRF109R79	4		1.9	730	51	GR139R79 GRF139R79	4
	6.7	214	28	GR109R79 GRF109R79	1.5		2.3	629	51	GR139R79 GRF139R79	1.5
	7.7	187	28	GR109R79 GRF109R79	2.2		2.5	560	51	GR139R79 GRF139R79	2.2
	3	469	28	GR109R79 GRF109R79	3		2.9	490	51	GR139R79 GRF139R79	3
	3.3	426	28	GR109R79 GRF109R79	4		3.4	428	51	GR139R79 GRF139R79	4
3.8	377	28	GR109R79 GRF109R79	1.5	3.8	381	51	GR139R79 GRF139R79	1.5		
4.4	325	28	GR109R79 GRF109R79	2.2	4.5	323	51	GR139R79 GRF139R79	2.2		
5	284	28	GR109R79 GRF109R79	3	4.9	291	51	GR139R79 GRF139R79	3		
5.5	256	28	GR109R79 GRF109R79	4	5.6	255	51	GR139R79 GRF139R79	4		
6.5	220	28	GR109R79 GRF109R79	1.5	2.5	564	51	GR139R79 GRF139R79	1.5		
7.5	193	28	GR109R79 GRF109R79	2.2	2.7	517	51	GR139R79 GRF139R79	2.2		
8.4	172	28	GR109R79 GRF109R79	3	3.1	453	51	GR139R79 GRF139R79	3		
8000	0.06	22203	51	GR139R79 GRF139R79	0.12	13000	0.06	23041	59	GR149R79 GRF149R79	0.12
	0.07	18945	51	GR139R79 GRF139R79	0.18		0.07	21342	59	GR149R79 GRF149R79	0.18
	0.08	16566	51	GR139R79 GRF139R79	0.25		0.08	18201	59	GR149R79 GRF149R79	0.25
	0.09	14777	51	GR139R79 GRF139R79	0.37		0.09	15923	59	GR149R79 GRF149R79	0.37
	0.11	12921	51	GR139R79 GRF139R79	0.55		0.1	14075	59	GR149R79 GRF149R79	0.55
	0.12	11712	51	GR139R79 GRF139R79	0.75		0.11	12344	59	GR149R79 GRF149R79	0.75
	0.13	10573	51	GR139R79 GRF139R79	1.1		0.12	11143	59	GR149R79 GRF149R79	1.1
	0.16	8784	51	GR139R79 GRF139R79	1.5		0.14	9743	59	GR149R79 GRF149R79	1.5
	0.19	7479	51	GR139R79 GRF139R79	2.2		0.16	8443	59	GR149R79 GRF149R79	2.2
	0.21	6559	51	GR139R79 GRF139R79	3		0.19	7307	59	GR149R79 GRF149R79	3
	0.24	5834	51	GR139R79 GRF139R79	4		0.22	6447	59	GR149R79 GRF149R79	4
	0.27	5116	51	GR139R79 GRF139R79	1.5		0.25	5568	59	GR149R79 GRF149R79	1.5
	0.31	4464	51	GR139R79 GRF139R79	2.2		0.28	4926	59	GR149R79 GRF149R79	2.2
	0.35	3928	51	GR139R79 GRF139R79	3		0.32	4325	59	GR149R79 GRF149R79	3
	0.4	3454	51	GR139R79 GRF139R79	4		0.37	3754	59	GR149R79 GRF149R79	4
	0.46	2993	51	GR139R79 GRF139R79	1.5		0.42	3302	59	GR149R79 GRF149R79	1.5
	0.3	4709	51	GR139R79 GRF139R79	2.2		0.48	2898	59	GR149R79 GRF149R79	2.2
	0.35	4018	51	GR139R79 GRF139R79	3		0.55	2555	59	GR149R79 GRF149R79	3
	0.4	3514	51	GR139R79 GRF139R79	4		0.63	2211	59	GR149R79 GRF149R79	4
	0.42	3338	51	GR139R79 GRF139R79	1.5		0.72	1951	59	GR149R79 GRF149R79	1.5
0.47	2929	51	GR139R79 GRF139R79	2.2	0.82	1705	59	GR149R79 GRF149R79	2.2		
0.56	2484	51	GR139R79 GRF139R79	3	0.91	1536	59	GR149R79 GRF149R79	3		
0.62	2242	51	GR139R79 GRF139R79	4	1.1	1329	59	GR149R79 GRF149R79	4		
0.75	1863	51	GR139R79 GRF139R79	1.5	1.2	1166	59	GR149R79 GRF149R79	1.5		
0.88	1586	51	GR139R79 GRF139R79	2.2	1.4	1029	59	GR149R79 GRF149R79	2.2		
1	1391	51	GR139R79 GRF139R79	3					3		
1.1	1256	51	GR139R79 GRF139R79	4					4		

选型参数表

(恒转矩) 13000Nm-36600Nm

Selection Table

(Constant Torque) 13000Nm-36600Nm

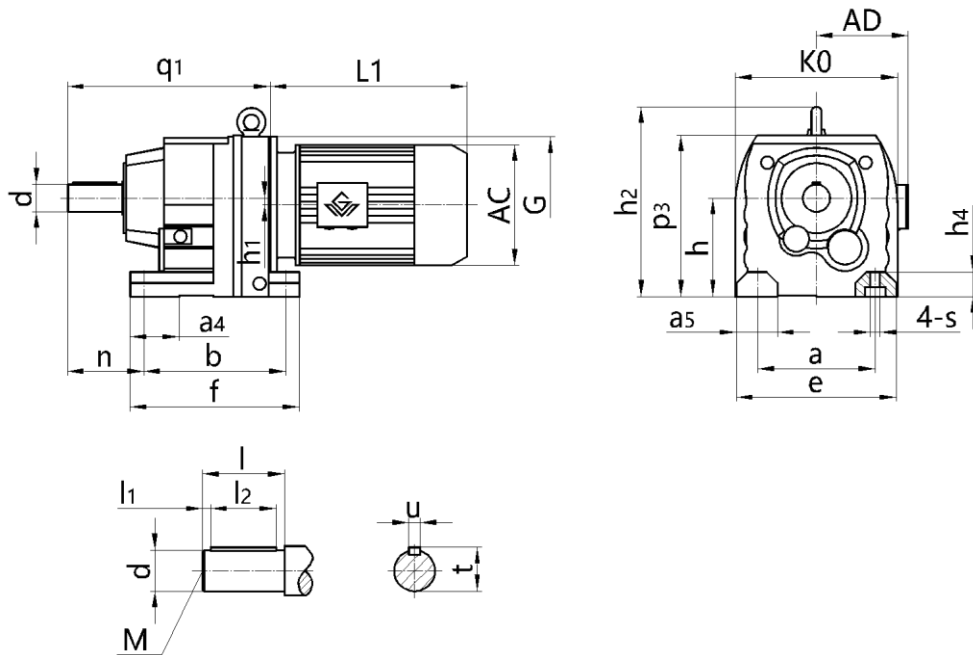
M_{amax} [Nm]	n_a [r/min]	i	F_{Ra} [kN]	机型号 Type size	P [kW]/4P	M_{amax} [Nm]	n_a [r/min]	i	F_{Ra} [kN]	机型号 Type size	P [kW]/4P			
13000	1.6	889	59	GR149R79	3	18000	4.9	295	91	GR169R109	11			
	1.8	784	59	GRF149R79			GRF169R109							
	2.1	695	59	GR149R79	4		6.4	229	91	GR169R109		15		
	2.3	619	59	GRF149R79			GRF169R109							
	2.6	558	59	GR149R79	5.5		5	291	91	GR169R109		11		
	2.9	489	59	GRF149R79			GRF169R109							
	2.7	533	59	GR149R89	4		5.5	264	91	GR169R109		15		
	3.1	462	59	GRF149R89			GRF169R109							
	3.4	426	59	GR149R89	5.5		36600	0.05	25852	128		GR179R99 GRF179R99	0.55	
	3.9	368	59	GRF149R89				0.06	23175	128				
	4.4	326	59	GR149R89	7.5			0.07	19819	128				
	5.1	280	59	GRF149R89				0.08	18219	128				
	5.8	247	59	GR149R89	7.5			0.09	15581	128				
	6.8	214	59	GRF149R89				0.1	13817	128				
18000	0.05	27001	91	GR169R99 GRF169R99	0.55	0.11		12482	128	GR179R99	0.75			
	0.06	22482	91			GRF179R99								
	0.07	20002	91			GR179R99 GRF179R99		1.1	0.13	10674	128			GRF179R99
	0.08	17361	91						0.16	8848	128			
	0.09	15446	91			GR179R99 GRF179R99		1.5	0.17	8475	128			GR179R99
	0.1	14051	91						GRF179R99					
	0.12	11812	91			GR179R99 GRF179R99		2.2	0.18	7734	128			GR179R99
	0.13	10509	91						GRF179R99					
	0.14	9631	91			GR179R99 GRF179R99	3	0.21	6614	128	GR179R99			
	0.18	7749	91					GRF179R99						
	0.2	6894	91			GR179R99 GRF179R99	4	0.25	5534	128	GR179R99			
	0.23	6077	91					GRF179R99						
	0.26	5407	91			GR179R99 GRF179R99	5.5	0.28	4914	128	GR179R99			
	0.3	4650	91					GRF179R99						
	0.34	4129	91	GR179R99 GRF179R99	7.5	0.33	4394	128	GR179R99					
	0.38	3692	91			GRF179R99								
	0.53	2657	91	GR179R99 GRF179R99	11	0.36	3950	128	GR179R99					
	0.6	2333	91			GRF179R99								
	0.67	2085	91	GR179R99 GRF179R99	15	0.42	3429	128	GR179R99					
	0.76	1877	91			GRF179R99								
	0.85	1670	91	GR179R99 GRF179R99	18.5	0.46	3098	128	GR179R99					
	0.99	1438	91			GRF179R99								
	1.1	1279	91	GR179R99 GRF179R99	22	0.49	2914	128	GR179R99					
	1.3	1123	91			GRF179R99								
	1.4	999	91	GR179R99 GRF179R99	30	0.53	2682	128	GR179R99					
	1.7	861	91			GRF179R99								
	1.9	760	91	GR179R109 GRF179R109	22	0.63	2294	128	GR179R99					
	2.2	656	91			GRF179R109								
2.5	579	91	GR179R109 GRF179R109	30	0.67	2158	128	GR179R99						
2.9	503	91			GRF179R109									
3.4	432	91	GR179R109 GRF179R109	37	0.78	1846	128	GR179R99						
3.9	377	91			GRF179R109									
4.4	335	91	GR179R109 GRF179R109	45	0.78	1846	128	GR179R99						
4.8	303	91			GRF179R109									
5.2	279	91	GR179R109	1	1435	128	GR179R99							
			GRF179R109	1.2	1189	128	GR179R99							
			GR179R109	1.2	1154	128	GR179R99							
			GRF179R109	1.5	957	128	GR179R99							
			GR179R109	1.9	768	128	GR179R99							
			GRF179R109	2.1	710	128	GR179R99							
			GR179R109	2.4	621	128	GR179R99							
			GRF179R109	2.6	563	128	GR179R99							
			GR179R109	3.1	481	128	GR179R99							
			GRF179R109	3.1	477	128	GR179R99							
			GR179R109	3.6	408	128	GR179R99							
			GRF179R109	4.1	356	128	GR179R99							
			GR179R109	5	295	128	GR179R99							
			GRF179R109	4	364	128	GR179R109							
			GR179R109	5	293	128	GR179R109							
			GRF179R109	5.5	266	128	GR179R109							
			GR179R109	6.5	229	128	GR179R109							
			GRF179R109	7.4	200	128	GR179R109							

安装结构尺寸

GR19-179

Mounting Dimensional Description

GR19-179



机型号 Type Size	q_1 e	d s	n h_4	a_4 K0	b l	f l_1	h_1 l_2	p_3 M	h u	a_5 t	a h_2	G	电机尺寸 Motor Size		
													AC	AD	L1
GR19	163 135	$\Phi 20k6$ $\Phi 9$	58 12	31.5 140	110 40	131 4	0 32	135 M6	$75_{-0.5}$ 6	25 22.5	110 /	$\Phi 120$	见附录 A-2 和 A-3 Please see appendix A-2 and A-3		
GR29	193 145	$\Phi 25k6$ $\Phi 9$	75.5 18	39 151	130 50	152 5	3.4 40	147 M10	$90_{-0.5}$ 8	32 28	110 /	$\Phi 120$			
GR39	201 157	$\Phi 25k6$ $\Phi 9$	75 18	40 161	130 50	160 5	10.1 40	153 M10	$90_{-0.5}$ 8	42 28	110 /	$\Phi 120$			
GR49	235 170	$\Phi 30k6$ $\Phi 13.5$	90 24	50 178	165 60	195 3.5	14 50	187 M10	$115_{-0.5}$ 8	42 33	135 /	$\Phi 160$			
GR59	257 190	$\Phi 35k6$ $\Phi 13.5$	100 24	60 202	165 70	200 7	11.2 56	190 M12	$115_{-0.5}$ 10	55 38	135 /	$\Phi 160$			
GR69	280 210	$\Phi 35k6$ $\Phi 14$	100 30	60 215	195 70	235 7	20.7 56	216 M12	$130_{-0.5}$ 10	60 38	150 245.5	$\Phi 160$			
GR79	300 230	$\Phi 40k6$ $\Phi 17.5$	115 30	60 235	205 80	245 5	15.9 70	234 M16	$140_{-0.5}$ 12	60 43	170 270	$\Phi 200$			
GR89	372 290	$\Phi 50k6$ $\Phi 17.5$	140 45	90 297	260 100	310 10	12.6 80	295 M16	$180_{-0.5}$ 14	75 53.5	215 345	$\Phi 250$			
GR99	440 340	$\Phi 60m6$ $\Phi 22$	160 55	100 348	310 120	365 5	10.2 110	370 M20	$225_{-0.5}$ 18	90 64	250 418	$\Phi 300$			
GR109	495 400	$\Phi 70m6$ $\Phi 26$	185 65	125 409	370 140	440 7.5	20.4 125	410 M20	$250_{-0.5}$ 20	110 74.5	290 480	$\Phi 350$			
GR139	589 450	$\Phi 90m6$ $\Phi 33$	220 70	130 458	410 170	490 5	25.1 160	495 M24	315_{-1} 25	110 95	340 563	$\Phi 400$			
GR149	695 530	$\Phi 110m6$ $\Phi 39$	260 80	150 540	500 210	590 15	33.4 180	565 M24	355_{-1} 28	150 116	380 648	$\Phi 450$			
GR169	790 660	$\Phi 120m6$ $\Phi 39$	270 100	160 670	580 210	670 5	59.9 200	675 M24	425_{-1} 32	160 127	500 775	$\Phi 550$			
GR179	955 780	$\Phi 160m6$ $\Phi 45$	280 110	280 780	790 250	904 15	93 220	835 M30	525_{-1} 40	180 169	600 /	$\Phi 550$			

注：减速机部分的外形尺寸，未包含通气帽的高度尺寸。通气帽的高度尺寸为 17。

Note: the dimensions don't include the height of the breathe valve. the height of the breathe valve is 17.

注：电机需方配或配特殊电机时需加联接法兰（见附录 D）

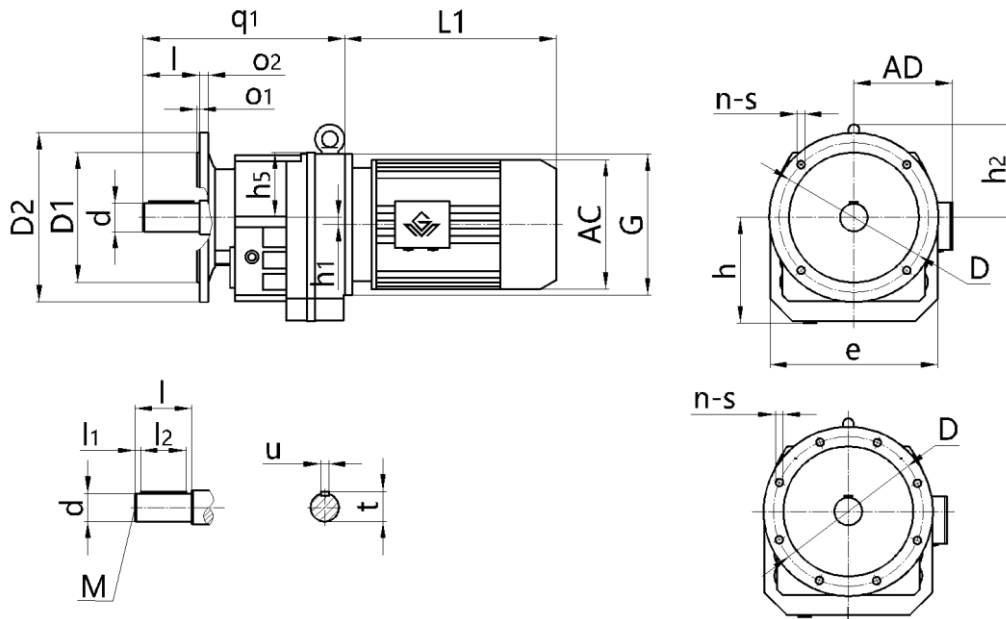
Note: When equipping the user's motor or the special one, the flange is required to connected. (Please see appendix D)

安装结构尺寸

GRF19-179

Mounting Dimensional Description

GRF19-179



机型号 Type Size	d	D2	o ₂	o ₁	s	D1	D	n	q ₁ l	h ₅ h ₁	h ₁ h ₂	h M	e u	h ₂ t	G	电机尺寸 Motor Size				
																AC	AD	L1		
GRF19	Φ20k6	Φ120	8	3	Φ6.5	Φ80j6	Φ100	4	175	60	0	77	130	/	Φ120	见附录 A-2 和 A-3 Please see appendix A-2 and A-3				
		Φ140	9	3	Φ8.5	Φ95j6	Φ115	4	40	4	32	M6	6	22.5						
GRF29	Φ25k6	Φ120	8	3	Φ6.5	Φ80j6	Φ100	4	204	59	3.4	92	142	/	Φ120					
		Φ140	8	3	Φ8.5	Φ95j6	Φ115	4	50	5	40	M10	8	28						
GRF39	Φ25k6	Φ120	8	3	Φ6.5	Φ80j6	Φ100	4	213	66.5	10.1	96	161	/	Φ120					
		Φ160	10	3.5	Φ9	Φ110j6	Φ130	4	50	5	40	M10	8	28						
		Φ200	12	3.5	Φ11	Φ130j6	Φ165	4												
GRF49	Φ30k6	Φ140	10	3	Φ9	Φ95j6	Φ115	4	240	72	14	118	180	/	Φ160					
		Φ160	10	3.5	Φ9	Φ110j6	Φ130	4	60	3.5	50	M10	8	33						
		Φ200	12	3.5	Φ11	Φ130j6	Φ165	4												
GRF59	Φ35k6	Φ160	10	3.5	Φ9	Φ110j6	Φ130	4	269	75	11.2	122	202	/	Φ160					
		Φ200	12	3.5	Φ11	Φ130j6	Φ165	4	70	7	56	M12	10	38						
		Φ250	15	4	Φ13.5	Φ180j6	Φ215	4												
GRF69	Φ35k6	Φ200	12	3.5	Φ11	Φ130j6	Φ165	4	294	86	20.7	134	215	116	Φ160					
		Φ250	15	4	Φ13.5	Φ180j6	Φ215	4	70	7	56	M12	10	38						
GRF79	Φ40k6	Φ250	15	4	Φ13.5	Φ180j6	Φ215	4	322	93	15.9	147	235	130	Φ200					
		Φ300	15	4	Φ13.5	Φ230j6	Φ265	4	80	5	70	M16	12	43						
GRF89	Φ50k6	Φ300	16	4	Φ13.5	Φ230j6	Φ265	4	395	115	12.6	184	297	165	Φ250					
		Φ350	18	5	Φ17.5	Φ250h6	Φ300	4	100	10	80	M16	14	53.5						
GRF99	Φ60m6	Φ350	18	5	Φ17.5	Φ250h6	Φ300	4	461	145	10.2	232	348	193	Φ300					
		Φ450	22	5	Φ17.5	Φ350h6	Φ400	8	120	5	110	M20	18	64						
GRF109	Φ70m6	Φ350	20	5	Φ17.5	Φ250h6	Φ300	4	510	161	20.4	258	409	230	Φ350					
		Φ450	22	5	Φ17.5	Φ350h6	Φ400	8	140	7.5	125	M20	20	74.5						
GRF139	Φ90m6	Φ450	22	5	Φ17.5	Φ350h6	Φ400	8	606	180	25.1	318	458	248	Φ400					
		Φ550	25	5	Φ17.5	Φ450h6	Φ500	8	170	5	160	M24	25	95						
GRF149	Φ110m6	Φ450	22	5	Φ17.5	Φ350h6	Φ400	8	711	210	33.4	363	540	293	Φ450					
		Φ550	25	5	Φ17.5	Φ450h6	Φ500	8	210	15	180	M24	28	116						
GRF169	Φ120m6	Φ550	25	5	Φ17.5	Φ450h6	Φ500	8	805	250	59.9	432	670	350	Φ550					
		Φ660	28	6	Φ22	Φ550h6	Φ600	8	210	5	200	M24	32	127						
GRF179	Φ160m6	Φ660	32	6	Φ22	Φ550h6	Φ600	8	980	355	93	533	780	/	Φ550					
		Φ880	36	6	Φ33	Φ680h6	Φ800	8	250	15	220	M30	40	169						

注：减速机部分的外形尺寸，未包含通气帽的高度尺寸。通气帽的高度尺寸为 17。

Note: the dimensions don't include the height of the breathe valve. the height of the breathe valve is 17.

注：电机需方配或配特殊电机时需加联接法兰（见附录 D）

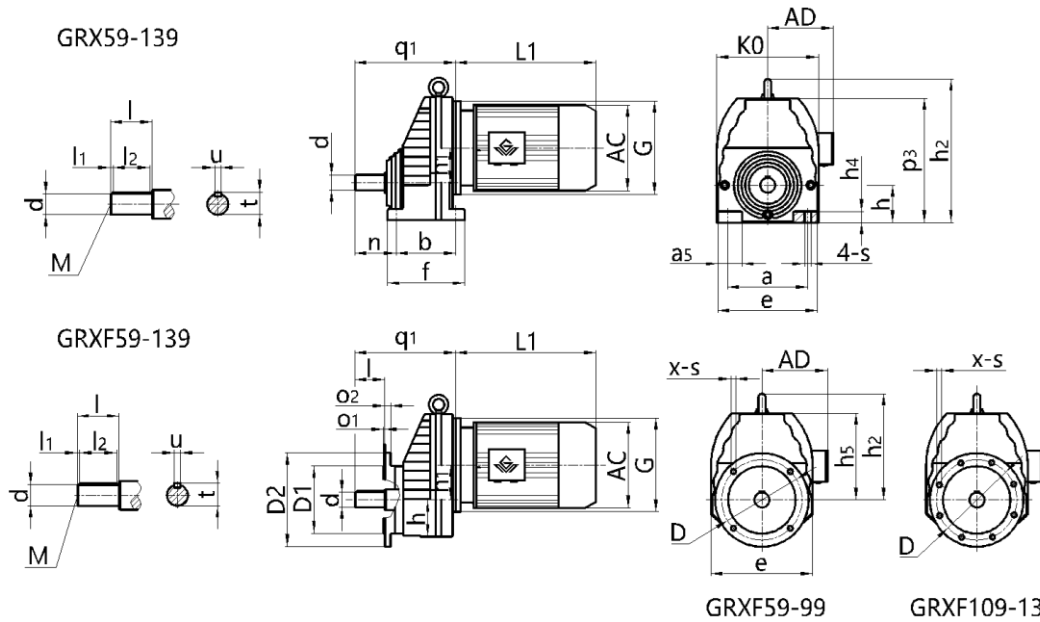
Note: When equipping the user's motor or the special one, the flange is required to connected. (Please see appendix D)

安装结构尺寸

GRX59-139/GRXF59-139

Mounting Dimensional Description

GRX59-139/GRXF59-139



机型号 Type Size	q1 h	d p3	h1 h2	n K0	b l1	f l2	a5 l	a M	e u	s t	h4 G	电机尺寸 Motor Size			
												AC	AD	L1	
GRX59	174 63-0.5	Φ20k6 206	52 /	56.5 162	110 3.5	137 32	31 40	125 M6	156 6	Φ11 22.5	18 Φ160	见附录 A-2 和 A-3 Please see appendix A-2 and A-3			
GRX69	201 80-0.5	Φ25k6 230	60 /	75 176	120 3.5	150 40	35 50	135 M10	170 8	Φ13.5 28	20 Φ160				
GRX79	227 90-0.5	Φ30k6 276	72 314	85 210	150 3.5	190 50	50 60	170 M10	204 8	Φ17.5 33	25 Φ200				
GRX89	269 100-0.5	Φ40k6 336	93.5 383	110 272	160 5	206 70	60 80	215 M16	266 12	Φ17.5 43	30 Φ250				
GRX99	316 112-0.5	Φ50k6 399	116 444	140 328	185 10	240 80	70 100	250 M16	320 14	Φ22 53.5	35 Φ300				
GRX109	364 140-0.5	Φ60m6 465	130 520	152 370	210 5	260 110	80 120	310 M20	360 18	Φ22 64	45 Φ350				
GRX139	398 160-0.5	Φ70m6 532	157 598	195 416	240 7.5	320 125	110 140	340 M20	450 20	Φ35 74.5	50 Φ400				

机型号 Type Size	d	D2	D1	o2	o1	D	x	s	h l2	h1 l	h5 M	h2 u	e t	l1 q1	G	电机尺寸 Motor Size			
																AC	AD	L1	
GRXF59	Φ20k6	Φ140	Φ95j6	10	3	Φ115	4	Φ9	68	52	141	/	162	3.5	Φ160	见附录 A-2 和 A-3 Please see appendix A-2 and A-3			
			Φ110j6	10	3.5	Φ130	4	Φ9	32	40	M6	6	22.5	174					
			Φ130j6	12	3.5	Φ165	4	Φ11											
GRXF69	Φ25k6	Φ160	Φ110j6	10	3.5	Φ130	4	Φ9	75	60	150	/	180	3.5	Φ160				
			Φ130j6	12	3.5	Φ165	4	Φ11	40	50	M10	8	28	201					
			Φ180j6	15	4	Φ215	4	Φ13.5											
GRXF79	Φ30k6	Φ200	Φ130j6	12	3.5	Φ165	4	Φ11	82	72	185	224	210	3.5	Φ200				
			Φ180j6	15	4	Φ215	4	Φ13.5	50	60	M10	8	33	227					
GRXF89	Φ40k6	Φ250	Φ180j6	15	4	Φ215	4	Φ13.5	102	93.5	238	283	272	5	Φ250				
			Φ230j6	16	4	Φ265	4	Φ13.5	70	80	M16	12	43	269					
GRXF99	Φ50k6	Φ300	Φ230j6	16	4	Φ265	4	Φ13.5	124	116	287	332	328	10	Φ300				
			Φ250h6	18	5	Φ300	4	Φ17.5	80	100	M16	14	53.5	316					
GRXF109	Φ60m6	Φ350	Φ250h6	18	5	Φ300	4	Φ17.5	141	130	325	380	370	5	Φ350				
			Φ350h6	22	5	Φ400	8	Φ17.5	110	120	M20	18	64	364					
GRXF139	Φ70m6	Φ450	Φ250h6	18	5	Φ300	4	Φ17.5	176	157	372	437	416	7.5	Φ400				
			Φ350h6	22	5	Φ400	8	Φ17.5	125	140	M20	20	74.5	398					

注：减速机部分的外形尺寸，未包含通气帽的高度尺寸。通气帽的高度尺寸为 17。

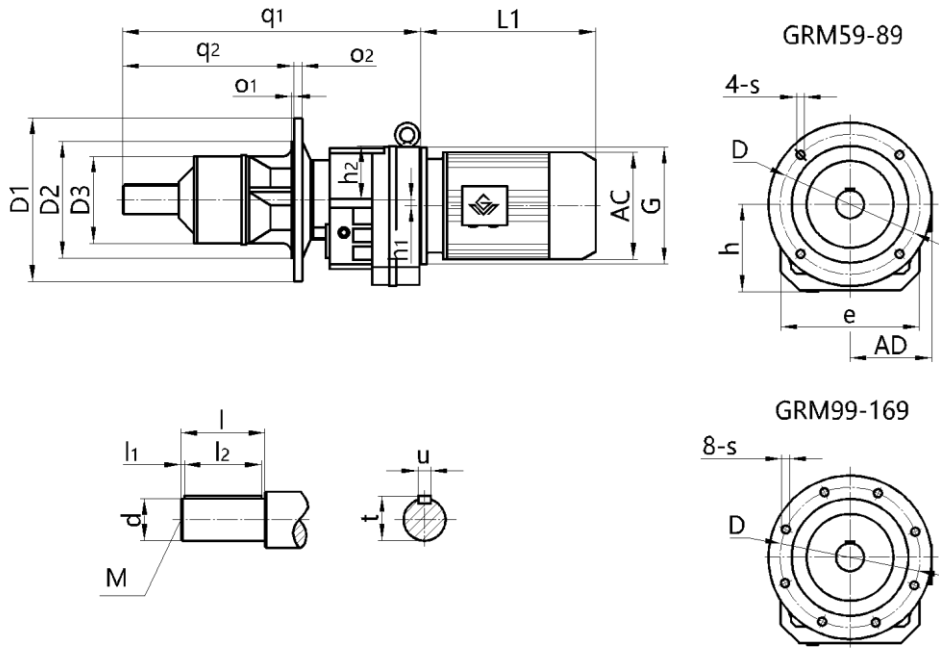
Note: the dimensions don't include the height of the breathe valve. the height of the breathe valve is 17.

注：电机需方配或配特殊电机时需加联接法兰（见附录 D）

Note: When equipping the user's motor or the special one, the flange is required to connected. (Please see appendix D)

安装结构尺寸 GRM59-169

Mounting Dimensional Description GRM59-169



机型号 Type Size	q ₁ q ₂	o ₁ o ₂	h ₁ h ₂	h e	D D1	D2 d	D3 l	l ₁ l ₂	s M	u t	G	电机尺寸 Motor Size		
												AC	AD	L1
GRM59	420	4	11.2	122	Φ215	Φ180j6	Φ142	7	Φ13.5	10	Φ160	见附录 A-2 和 A-3 Please see appendix A-2 and A-3		
	230	15	75	202	Φ250	Φ35k6	70	56	M12	38				
GRM69	459	4	20.7	134	Φ265	Φ230j6	Φ152	5	Φ13.5	12	Φ160			
	240	16	86	215	Φ300	Φ40k6	80	70	M16	43				
GRM79	527	5	15.9	147	Φ300	Φ250h6	Φ180	10	Φ17.5	14	Φ200			
	300	18	93	235	Φ350	Φ50k6	100	80	M16	53.5				
GRM89	639	5	12.6	184	Φ300	Φ250h6	Φ199	5	Φ17.5	18	Φ250			
	360	18	115	297	Φ350	Φ60m6	120	110	M20	64				
GRM99	745	5	10.2	232	Φ400	Φ350h6	Φ229	7.5	Φ17.5	20	Φ300			
	420	22	145	348	Φ450	Φ70m6	140	125	M20	74.5				
GRM109	864	5	20.4	258	Φ500	Φ450h6	Φ250	25	Φ17.5	22	Φ350			
	500	25	161	409	Φ550	Φ80m6	170	125	M20	85				
GRM139	1024	5	25.1	318	Φ500	Φ450h6	Φ275	15	Φ17.5	28	Φ400			
	600	25	180	458	Φ550	Φ100m6	210	180	M24	106				
GRM149	1154	6	33.4	363	Φ600	Φ550h6	Φ299	15	Φ22	28	Φ450			
	660	28	210	540	Φ660	Φ110m6	210	180	M24	116				
GRM169	1313	6	59.9	432	Φ600	Φ550h6	Φ321	5	Φ22	32	Φ550			
	730	28	250	670	Φ660	Φ125m6	210	200	M24	134				

注：减速机部分的外形尺寸，未包含通气帽的高度尺寸。通气帽的高度尺寸为 17。

Note: the dimensions don't include the height of the breathe valve. the height of the breathe valve is 17.

注：电机需方配或配特殊电机时需加联接法兰（见附录 D）

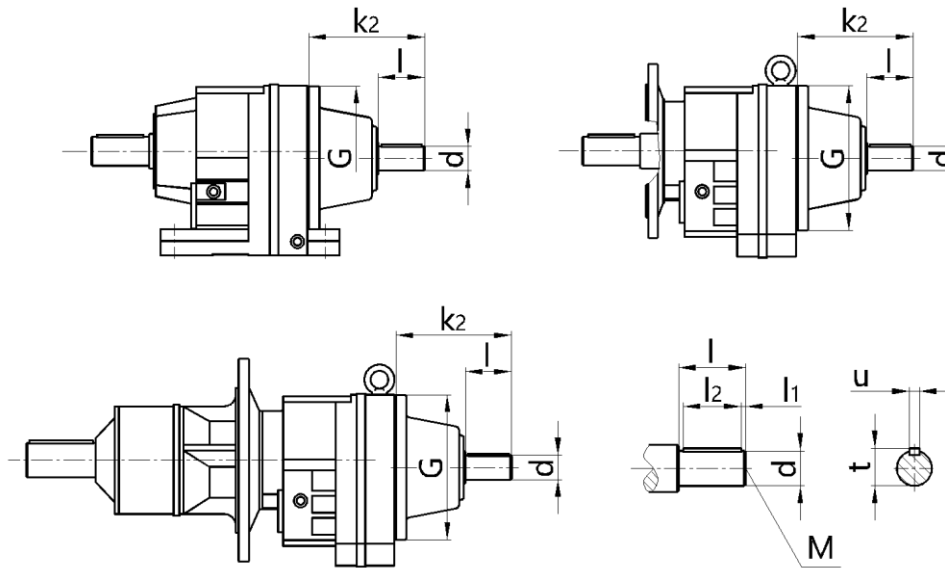
Note: When equipping the user's motor or the special one, the flange is required to connected. (Please see appendix D)

安装结构尺寸

GR..29-179AD1-8

Mounting Dimensional Description

GR..29-179AD1-8



机型号 Type Size	规格 Specification	适用功率范围(kW)/4P Range Power	d	G	k ₂	l	M	l ₁	l ₂	t	u
GR..29/39	AD1	0.12-0.18	16k6	Φ120	130	40	M5	4	32	18	5
	AD2	0.25-3	19k6	Φ120	130	40	M6	4	32	21.5	6
GR..49/59/69	AD2	0.12-1.5	19k6	Φ160	149	40	M6	4	32	21.5	6
	AD3	2.2-7.5	24k6	Φ160	159	50	M8	5	40	27	8
GR..79	AD2	0.18-1.5	19k6	Φ200	184	40	M6	4	32	21.5	6
	AD3	2.2-4	24k6	Φ200	194	50	M8	5	40	27	8
	AD4	5.5-11	38k6	Φ200	224	80	M12	5	70	41	10
GR..89	AD2	0.55-1.5	19k6	Φ250	136	40	M6	4	32	21.5	6
	AD3	2.2-4	28k6	Φ250	156	60	M10	5	50	31	8
	AD4	5.5-7.5	38k6	Φ250	262	80	M12	5	70	41	10
	AD5	11-22	42k6	Φ250	292	110	M16	10	70	45	12
GR..99	AD3	0.55-4	28k6	Φ300	194	60	M10	5	50	31	8
	AD4	5.5-7.5	38k6	Φ300	214	80	M12	5	70	41	10
	AD5	11-22	42k6	Φ300	327	110	M16	10	70	45	12
	AD6	30	48k6	Φ300	327	110	M16	10	80	51.5	14
GR..109	AD3	2.2-4	28k6	Φ350	188	60	M10	5	50	31	8
	AD4	5.5-7.5	38k6	Φ350	208	80	M12	5	70	41	10
	AD5	11-22	42k6	Φ350	321	110	M16	10	70	45	12
	AD6	30-45	48k6	Φ350	321	110	M16	10	80	51.5	14
GR..139	AD4	5.5-7.5	38k6	Φ400	270	80	M12	5	70	41	10
	AD5	11-22	42k6	Φ400	300	110	M16	10	70	45	12
	AD6	30-45	48k6	Φ400	300	110	M16	10	80	51.5	14
	AD7	55	55m6	Φ400	300	110	M20	10	90	59	16
GR..149	AD4	7.5	38k6	Φ450	270	80	M12	5	70	41	10
	AD5	11-22	42k6	Φ450	300	110	M16	10	90	45	12
	AD6	30-45	48k6	Φ450	300	110	M16	10	90	51.5	14
	AD7	55	55m6	Φ450	300	110	M20	10	90	59	16
	AD8	75-90	70m6	Φ450	383	140	M20	15	110	74.5	20
GR..169/179	AD5	11-22	42k6	Φ550	344	110	M16	10	90	45	12
	AD6	30-45	48k6	Φ550	344	110	M16	10	90	51.5	14
	AD7	55-90	55m6	Φ550	344	110	M20	10	90	59	16
	AD8	110-160	70m6	Φ550	374	140	M20	15	110	74.5	20

其它尺寸请参照 GR 型。

注： 1. GRF/GRX/GRXF/GRM 也可采用双轴型，并分别记为 GRF..AD... GRX..AD... GRXF..AD..和 GRM..AD..。

2. 通过联轴器联接，可直接参考上表功率范围；若电机和减速机之间是通过其他极数电机、齿轮、链轮、皮带轮等传动方式联接，需客户自行转换。

For other dimensions, see the type GR.

Note: 1. Double shafts type is also available for type GRF/GRX/GRXF/GRM and these double shafts types are respectively named type GRF..AD... GRX..AD... GRXF..AD..and GRM..AD..

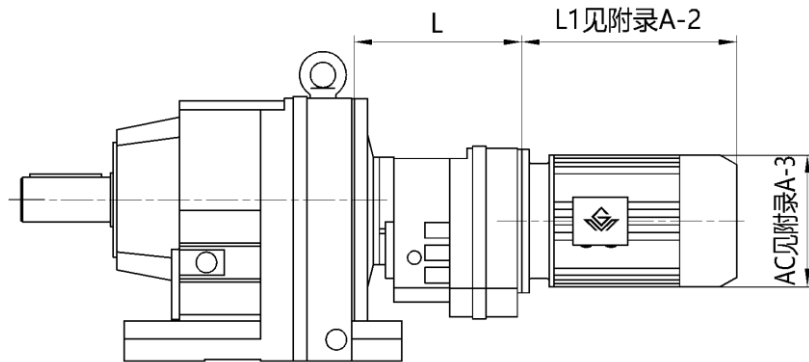
2. Applicable power refers to the input torque of 4 pole motor. If the connect way is coupling, can see the power range on the table directly, if the connect way is other pole motor, sprocket, belt pulley, need customers to convert by themselves.

安装结构尺寸

GR..R..

Mounting Dimensional Description

GR..R..



机型号 Type Size	机座号 Frame Size	L
GR..29R19 GR..39R19	63	135
	71	
GR..49R39 GR..59R39 GR..69R39	63	163
	71	
	80	
GR..79R39	63	163
	71	
	80	
GR..89R59	63	216
	71	
	80	
	90	
GR..99R59	63	216
	71	
	80	
	90	
	100	
GR..109R79	63	251
	71	
	80	
	90	
	100	
	112	
GR..139R79	63	244
	71	
	80	
	90	
	100	
	112	
	132	

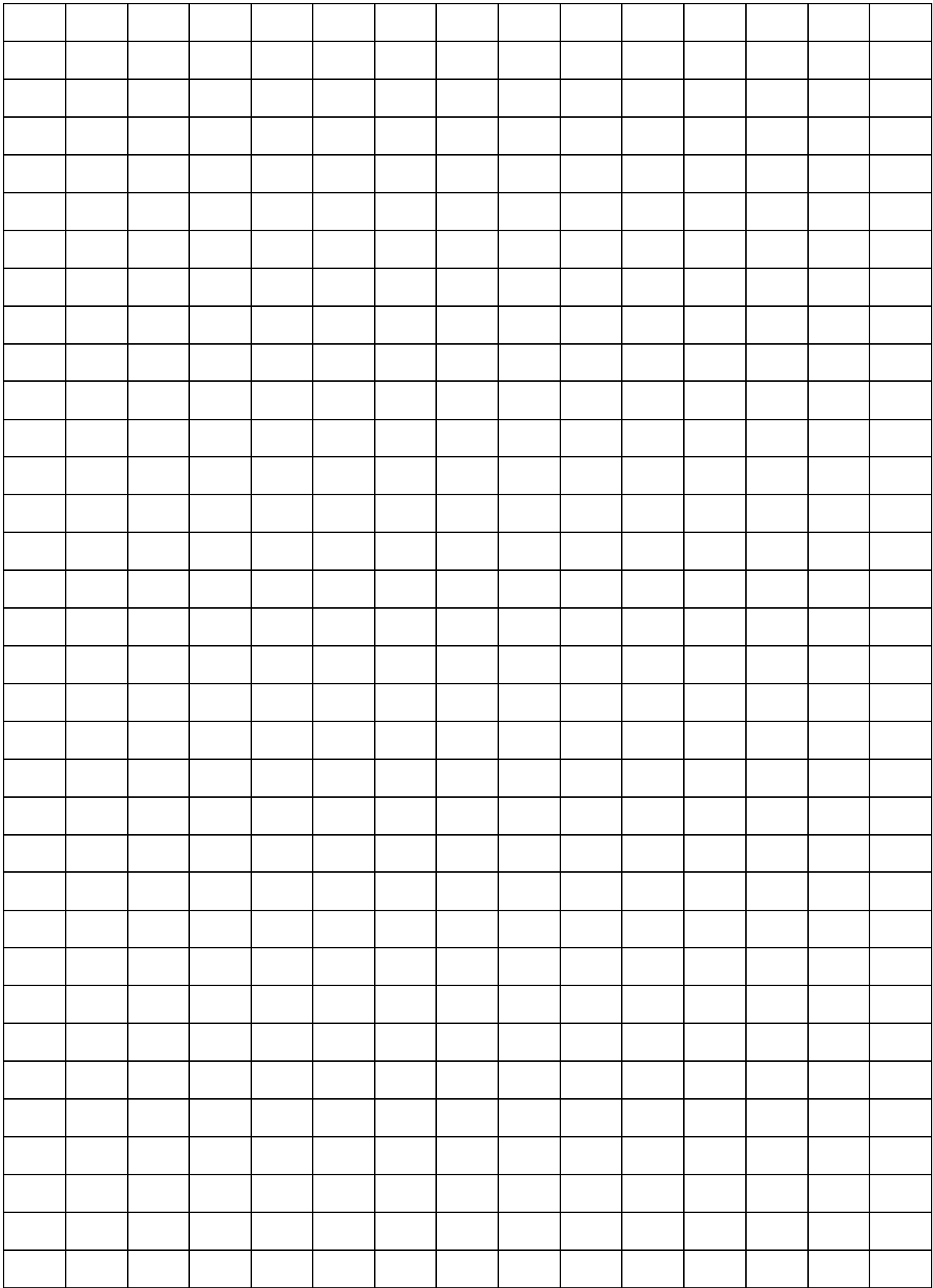
机型号 Type Size	机座号 Frame Size	L
GR..149R79	63	241
	71	
	80	
	90	
	100	
GR..149R89	90	280
	100	
	112	
	132	
	160	
GR..169R99 GR..179R99	80	332
	90	
	100	
	112	
	132	
	160	
GR..169R109 GR..179R109	100	382
	112	
	132	
	160	
	180	
	200	
225		

注: GRF 也可采用串联组合机型。

Note: Combined type is also available for type GRF.

注: 电机需方配或配特殊电机时需加联接法兰 (见附录 D)

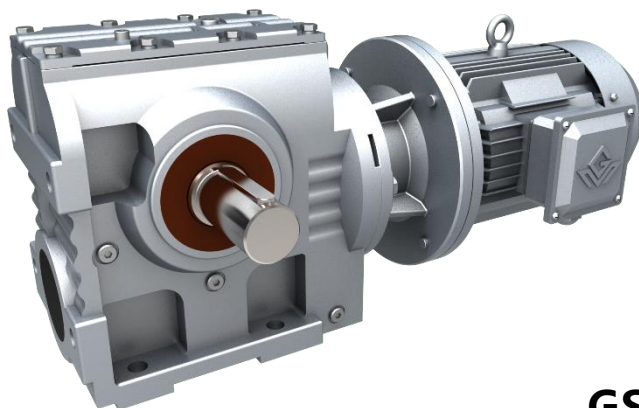
Note: When equipping the user's motor or the special one, the flange is required to connected. (Please see appendix D)



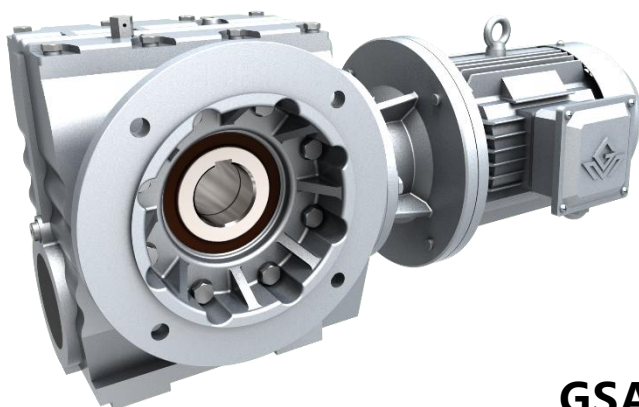
GS
系列

斜
齿
轮
—
蜗
轮
蜗
杆
减
速
电
机

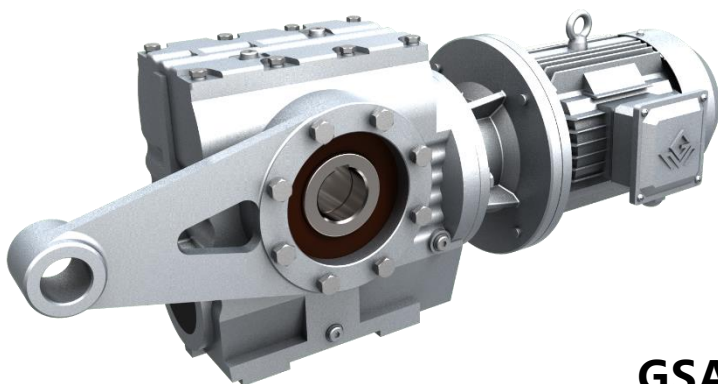
GS Series Helical-Worm Geared Motors



GS..



GSAF..



GSA/T..

GS 系列

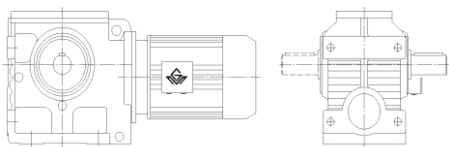
结构形式说明

GS 系列输出轴垂直于输入轴，由一级斜齿轮和一级蜗轮蜗杆构成。

Output shafts of GS series are vertical to input shafts. Units of GS series consist of single stage helical gears and single stage worn gears.

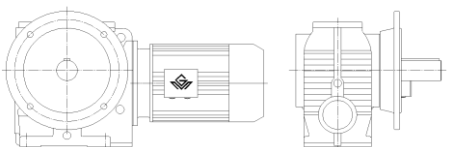
1.GS 型： 底脚安装，输出轴为实心轴。

Type GS: Foot-mounted. Solid output shaft.



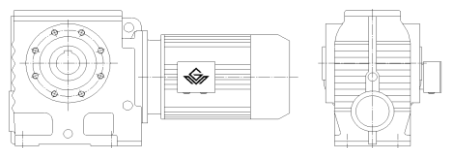
2.GSF 型： B5 法兰安装，输出轴为实心轴。

Type GSF: B5 flange mounted. Solid output shaft.



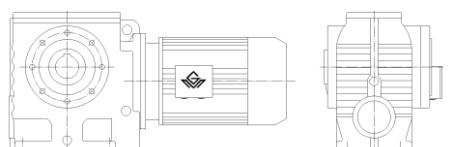
3.GSA 型： 轴装式，输出轴为空心轴。

Type GSA: Shaft mounted. Hollow output shaft.



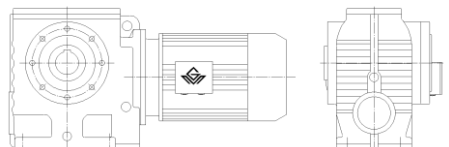
4.GSAF 型： B5 法兰安装，输出轴为空心轴。

Type GSAF: B5 flange mounted. Hollow output shaft.



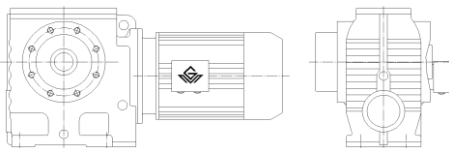
5.GSAZ 型： B14 法兰安装，输出轴为空心轴。

Type GSAZ: B14 flange mounted. Hollow output shaft.



6.GSH 型： 轴装式，输出轴为空心轴带锁紧盘。

Type GSH: Shaft mounted. Hollow output shaft with shrink disk.

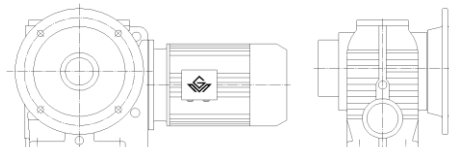


Type of GS Series

Dimensional Description

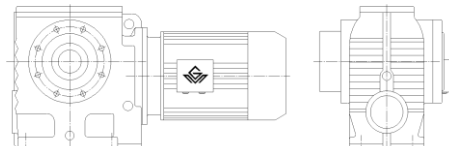
7.GSHF 型： B5 法兰安装，输出轴为空心轴带锁紧盘。

Type GSHF: B5 flange mounted. Hollow output shaft with shrink disk.



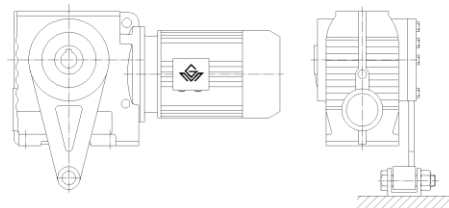
8.GSHZ 型： B14 法兰安装，输出轴为空心轴带锁紧盘。

Type GSHZ: B14 flange mounted. Hollow output shaft with shrink disk.



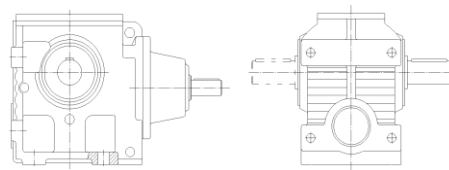
9.GSAT 型/GSHT 型： 防转臂安装。

Type GSAT/GSHT: Torque arm mounted.



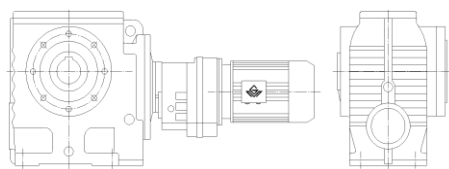
10.GS..AD 型： 输入轴型。

Type GS.. AD: Input Shaft types.



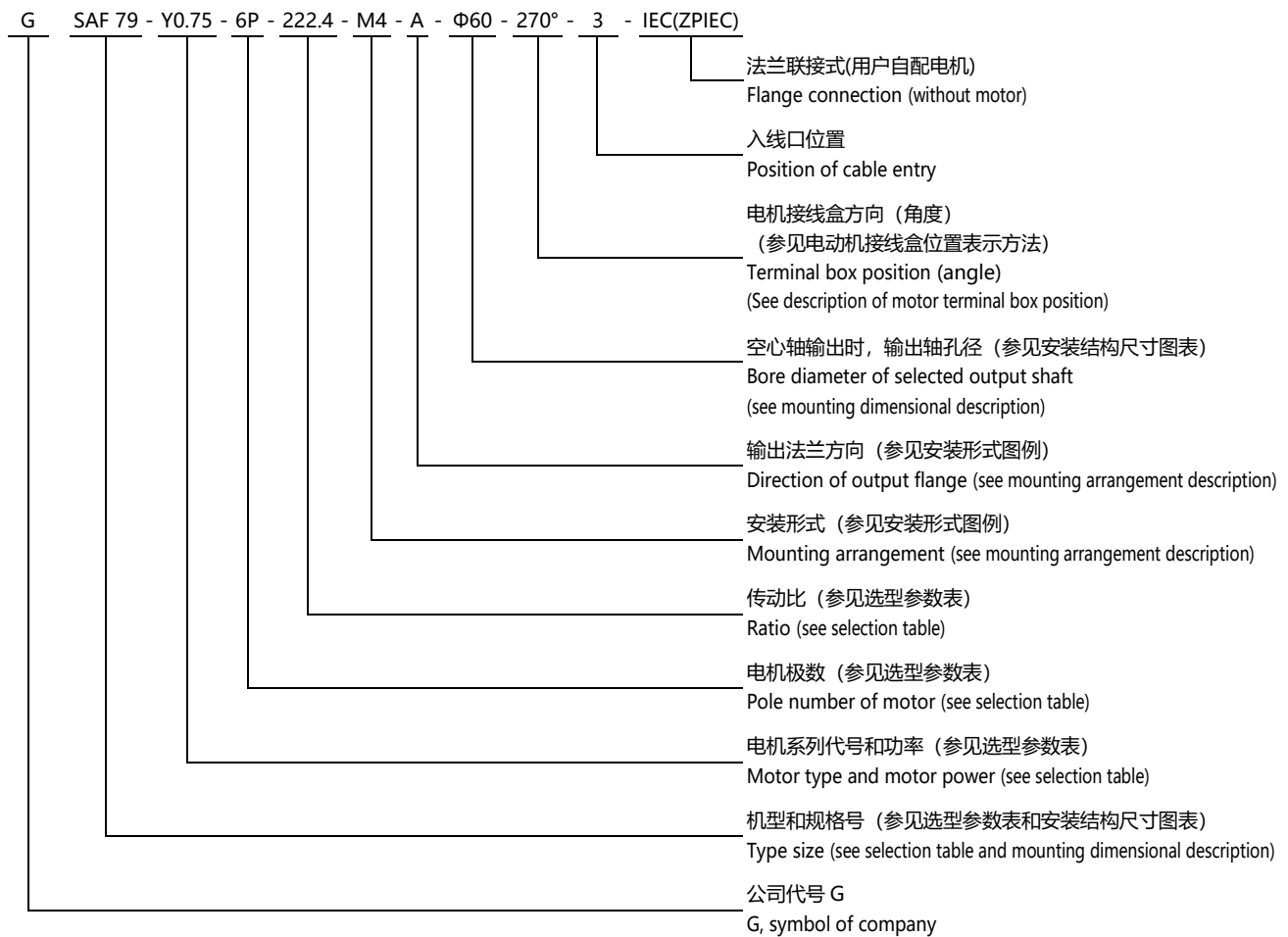
11.GS..R 型： GS 系列和 GR 系列的组合。

Type GS..R: Combined types of type GS and type GR.



型号表示方法

Type Expression of GS Series

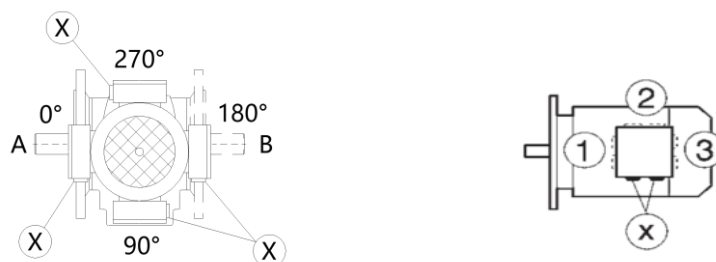


- 注: 1、需带联接法兰时请注明 IEC。
2、输入轴型没有电动机各项内容。
3、不注明减速机的安装形式时, 则默认为安装形式中的 M1 位置。不注明接线盒方向时, 则默认为安装形式中的 0 度位置。不注明入线口位置时, 则默认为 X 位置。
4、对输出轴旋转方向和输入轴旋转方向有特别要求的用户, 请与技术部联系, 并在订货时用简图或文字说明。

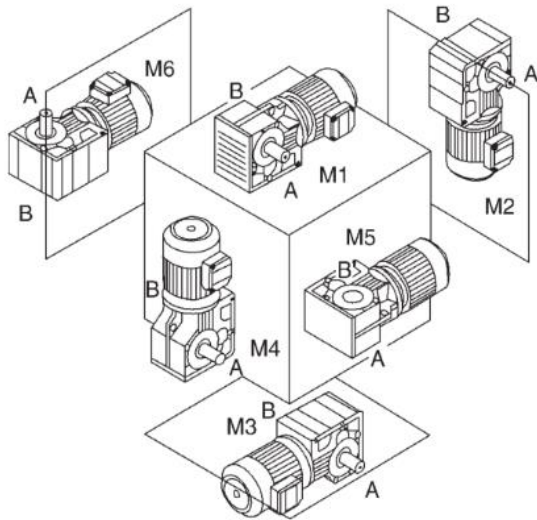
- Note: 1、Please make a note, if it needs connecting flange.
2、Contents of motors for input shaft types are not listed.
3、It is M1, When the mounting arrangement of the reducer is not mentioned. Degree=0°, if terminal box position is not mentioned. It is X, if cable entry position is not mentioned.
4、If specific rotation directions of output shaft or/and input shaft are specially requested, please contact our technology department, and make detailed description while placing order.

电机接线盒位置及入线口位置表示方法

Description of Motor Terminal Box Position and Cable Entry Position



安装形式图例



安装形式定义:

M1-电机水平放置; 减速机底脚朝下。

M2-电机居下。

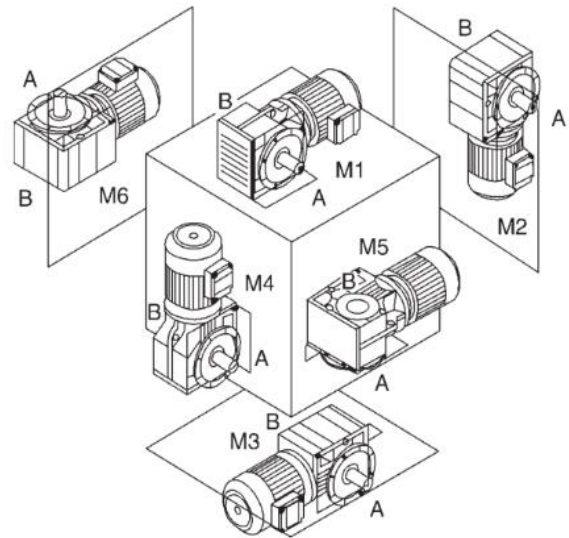
M3-电机水平放置; 减速机底脚朝上。

M4-电机居上。

M5-电机水平放置; 当减速机在 M1 安装位置时, 从电机方向看, 减速机的左面旋转到下方位置。

M6-电机水平放置; 当减速机在 M1 安装位置时, 从电机方向看, 减速机的左面旋转到上方位置。

Mounting Arrangements Description



Mounting arrangements are defined as following:

M1-horizontally mounted motor,unit base is at bottom.

M2-motor is vertically mounted downwards.

M3-horizontally mounted motor,unit base is top.

M4-motor is vertically mounted upwards.

M5-horizontally mounted motor,if placed on M1 position,left side of unit turns to bottom(view point:towards from motor side).

M6-horizontally mounted motor,if placed on M1 position,left side of unit turns to top(view point:towards from motor side).

减速机重量

机型号 Type size	GS39	GS49	GS59	GS69	GS79	GS89	GS99	GS109
重量(kg) Weight	7	10	14	26	50	95	170	240

注:重量为平均值, 不包括电机、联接法兰, 仅供参考。

(Note: The weights mean values without the motor and IEC flange, only for reference.)

Gear Unit Weight

选型参数表注释

恒功率 Constant power

n_a [r/min]	M_a [Nm]	i	F_{Ra} [kN]	f_b	机型号 Type size	极数 Pole
↓	↓	↓	↓	↓		
输出转速 Output speed	输出转矩 Output torque	减速比 Ratio	许用径向载荷 Permissible radial load	使用系数 Service factor		

Description of Selection Table

恒转矩 Constant torque

M_{max} [Nm]	n_a [r/min]	i	F_{Ra} [kN]	机型号 Type size	P [kW]/4P
↓	↓	↓	↓		↓
最大输出转矩 Max.output torque	输出转速 Output speed	减速比 Ratio	许用径向载荷 Permissible radial load		电机功率 Motor power

GS 系列斜齿轮-蜗轮蜗杆减速电机

选型参数表

Selection Table

(恒功率) 0.12kW-0.18kW

(Constant Power) 0.12kW-0.18kW

n _a [r/min]	M _a [Nm]	i	F _{Ra} [kN]	f _B	机型号 Type size	极数 Pole	n _a [r/min]	M _a [Nm]	i	F _{Ra} [kN]	f _B	机型号 Type size	极数 Pole
0.12kW							0.12kW						
0.10	7447	12901	40	0.85	GS109R79	4P	8.3	67	157.43	2.9	1.10		
0.11	6757	11708	40	0.95	GSF109R79		9.1	61	144.40	2.9	1.15		
					GSA109R79		11	54	122.94	2.9	1.20		
					GSAF109R79		12	47	106.00	2.9	1.30		
0.12	4275	11267	27	0.90	GS99R59	4P	13	44	98.80	2.9	1.30	GS39	4P
0.13	3906	10078	31	1.10	GSF99R59		15	40	86.36	2.9	1.40	GSF39	
0.15	3240	8608	32	1.25	GSA99R59		16	37	80.96	2.9	1.40	GSA39	
0.17	2862	7554	33	1.45	GSAF99R59		18	33	71.44	2.9	1.45	GSAF39	
0.20	2421	6706	26	1.05	GS89R59		21	30	63.33	2.9	1.55		
0.22	2160	5875	26	1.15	GSF89R59	4P	23	32	55.93	2.9	1.50		
0.25	1791	5187	27	1.30	GSA89R59		26	30	51.30	2.9	1.55		
0.28	1593	4606	27	1.40	GSAF89R59		30	25	43.68	2.9	1.65		
0.34	1323	3872	28	1.55			35	23	37.66	2.9	1.75		
0.37	1233	3540	9.2	0.95			37	21	35.10	2.9	1.75		
0.42	1080	3098	12	1.10		43	18	30.68	2.9	1.85			
0.48	1139	2753	11	1.05		46	17	28.76	2.9	1.90	GS39	4P	
0.55	1197	2374	11	0.90	GS79R39	52	15	25.38	2.9	2.00	GSF39		
0.63	1053	2083	12	1.10	GSF79R39	58	14	22.50	2.9	2.05	GSA39		
0.72	891	1813	13	1.30	GSA79R39	68	13	19.13	2.9	2.20	GSAF39		
0.75	846	1745	14	1.35	GSAF79R39	69	12	18.85	2.9	2.10			
0.82	774	1600	14	1.40		79	12	16.48	2.8	2.20			
0.93	680	1404	14	1.50		85	10	15.45	2.7	2.30			
1.1	594	1245	15	1.60									
1.1	531	1194	7.8	0.85									
1.3	477	1045	8.3	1.00									
1.4	414	914	8.8	1.10									
1.6	378	809	9.1	1.25	GS69R39	4P	0.16	7238	8360	40	0.90	GS109R79	4P
1.8	333	712	9.4	1.40	GSF69R39							GSF109R79	
2.1	275	615	10	1.55	GSA69R39							GSAF109R79	
2.4	248	543	10	1.60	GSAF69R39								
2.8	203	469	10	1.75									
3.1	185	424	10	1.80									
3.6	168	365	10	1.95									
2.0	297	655	6.6	0.85									
2.3	257	574	6.9	0.95									
2.6	225	506	7.2	1.10	GS59R19	4P	0.28	2709	4606	20	0.95	GS89R59	4P
3.0	194	438	7.4	1.25	GSF59R19							GSF89R59	
3.4	170	388	7.5	1.35	GSA59R19		0.34	2268	3872	26	1.15	GSA89R59	
3.9	152	336	7.6	1.45	GSAF59R19							GSAF89R59	
4.5	131	294	7.7	1.55									
4.9	125	269	7.7	1.60									
3.0	194	438	4.8	0.80									
3.4	170	388	4.9	0.85									
3.9	152	336	5.1	0.95	GS49R19	4P	0.38	2187	3475	26	1.25	GS89R59	4P
4.5	129	294	5.2	1.10	GSF49R19		0.45	1827	2905	27	1.40	GSF89R59	
5.1	88	257	5.4	1.40	GSA49R19		0.51	1584	2586	27	1.55	GSA89R59	
5.7	106	229	5.3	1.30	GSAF49R19		0.56	1413	2335	27	1.60	GSAF89R59	
6.6	92	200	5.3	1.35			0.64	1224	2054	28	1.70		
7.0	86	187	5.4	1.40			0.72	1089	1824	28	1.80		
							0.80	972	1631	28	1.85		
0.93	1125	1404	11	1.10									
1.1	990	1245	13	1.20									
1.8	540	712	7.7	0.95									
2.1	455	615	8.5	1.10									
2.4	405	543	8.9	1.20									
2.8	342	469	9.3	1.40									
3.1	306	424	9.5	1.50									
3.6	275	365	10	1.60									
3.0	320	438	6.3	0.85									
3.4	284	388	6.7	0.90									
3.9	248	336	7.0	1.05									
4.5	216	294	7.2	1.20									
4.9	203	269	7.3	1.30									
5.7	174	229	7.5	1.40									
6.4	157	204	7.6	1.50									
7.0	143	187	7.6	1.55									
4.5	231	294	4.7	0.80									
5.1	173	257	5.1	1.10	GS49R19	4P	5.7	204	229	4.9	0.95	GSF49R19	
5.7	204	229	4.9	0.95	GSA49R19		6.6	179	200	5.1	1.05	GSA49R19	
6.6	179	200	5.1	1.05	GSAF49R19								

GS 系列斜齿轮-蜗轮蜗杆减速电机

选型参数表

Selection Table

(恒功率) 0.25kW-0.37kW

(Constant Power) 0.25kW-0.37kW

n _a [r/min]	M _a [Nm]	i	F _{Ra} [kN]	f _B	机型号 Type size	极数 Pole	n _a [r/min]	M _a [Nm]	i	F _{Ra} [kN]	f _B	机型号 Type size	极数 Pole																																																																																																																																																																																																																																																																																																																																																																																																																																																																															
0.25kW							0.37kW																																																																																																																																																																																																																																																																																																																																																																																																																																																																																					
19	77	71.75	5.4	1.55	GS49 GSF49 GSA49 GSAF49	4P	2.9	662	225.26	14	1.65	GS79 GSF79 GSA79 GSAF79	8P																																																																																																																																																																																																																																																																																																																																																																																																																																																																															
19	87	69.39	5.4	1.40			20	72	67.20	5.5	1.60			21	81	63.80	5.4	1.45	24	70	54.59	5.4	1.55	28	61	47.32	5.5	1.65	13	97	98.80	2.8	0.85	GS39 GSF39 GSA39 GSAF39	4P	3.5	581	256.47	15	1.75	GS79 GSF79 GSA79 GSAF79	6P	15	86	86.36	2.8	0.90	16	82	80.96	2.8	0.95	19	73	71.44	2.8	1.00	21	66	63.33	2.8	1.05	24	70	55.93	2.8	1.05	26	65	51.30	2.8	1.05	30	56	43.68	2.8	1.15	35	49	37.66	2.8	1.20	38	46	35.10	2.8	1.20	43	41	30.68	2.8	1.30	46	38	28.76	2.8	1.30	52	33	25.38	2.8	1.40	59	30	22.50	2.8	1.45	70	29	19.13	2.7	1.60	71	26	18.85	2.7	1.50	81	23	16.48	2.6	1.60	86	20	15.45	2.6	1.65	98	18	13.63	2.5	1.70	110	16	12.08	2.4	1.80	130	15	10.27	2.3	1.85	95	19	28.76	2.6	1.70	GS39 GSF39 GSA39 GSAF39	2P	6.6	275	201.00	6.7	0.95	GS59 GSF59 GSA59 GSAF59	4P	107	17	25.38	2.5	1.75	121	15	22.50	2.4	1.85	142	14	19.13	2.3	1.95	144	14	18.85	2.2	1.90	165	12	16.48	2.2	2.00	176	12	15.45	2.1	2.05	200	10	13.63	2.1	2.15	225	8	12.08	2.0	2.20	10	189	137.05	4.9	0.80	10	179	128.10	4.9	0.85	12	158	110.73	5.1	0.95	14	136	94.08	5.2	1.10	16	123	84.00	5.2	1.20	19	107	71.75	5.3	1.30	19	122	69.39	5.2	1.15	20	101	67.20	5.3	1.30	21	113	63.80	5.2	1.20	24	98	54.59	5.3	1.30	28	86	47.32	5.1	1.35	30	81	44.23	5.1	1.40	35	70	38.23	4.9	1.45	41	60	32.48	4.7	1.55	46	54	29.00	4.6	1.65	54	47	24.77	4.4	1.70	57	44	23.20	4.3	1.75	68	41	19.54	4.0	1.90	75	36	17.80	3.8	2.00	88	33	15.12	3.8	2.10	21	93	63.33	2.8	0.85	26	91	51.30	2.8	0.85	30	78	43.68	2.8	0.95	35	68	37.66	2.8	1.00	38	64	35.10	2.8	1.00	0.31	7586	4328	40	0.85	GS109R79 GSF109R79 GSA109R79 GSAF109R79	4P							0.65	2574	2054	24	1.00	GS89R59 GSF89R59 GSA89R59 GSAF89R59	4P							0.73	2286	1824	26	1.10	0.82	2043	1631	27	1.20	1.4	1206	930	28	1.70	1.6	1089	831	28	1.75	1.9	1179	714	11	1.00	GS79R39 GSF79R39 GSA79R39 GSAF79R39	4P							2.1	1053	637	12	1.15	2.3	954	574	13	1.25	2.7	819	499	14	1.35	3.0	720	438	14	1.50	3.4	639	389	15	1.60	3.6	563	365	7.3	0.85	GS69R39 GSF69R39 GSA69R39 GSAF69R39	4P							4.2	491	319	8.1	1.00	4.7	432	281	8.6	1.10	5.4	387	246	9.0	1.25	2.3	882	288.00	28	2.00	GS89 GSF89 GSA89 GSAF89	8P							2.6	801	258.18	28	2.10	3.0	698	222.40	28	2.25																				
20	72	67.20	5.5	1.60			21	81	63.80	5.4	1.45			24	70	54.59	5.4	1.55	28	61	47.32	5.5	1.65	13	97	98.80	2.8	0.85	GS39 GSF39 GSA39 GSAF39	4P	3.5	581	256.47			15	1.75	GS79 GSF79 GSA79 GSAF79	6P	15			86	86.36	2.8	0.90	16	82	80.96	2.8	0.95	19	73	71.44	2.8	1.00	21	66	63.33	2.8	1.05	24	70	55.93	2.8	1.05	26	65	51.30	2.8	1.05	30	56	43.68	2.8	1.15	35	49	37.66	2.8	1.20	38	46	35.10	2.8	1.20	43	41	30.68	2.8	1.30	46	38	28.76	2.8	1.30	52	33	25.38	2.8	1.40	59	30	22.50	2.8	1.45	70	29	19.13	2.7	1.60	71	26	18.85	2.7	1.50	81	23	16.48	2.6	1.60	86	20	15.45	2.6	1.65	98	18	13.63	2.5	1.70	110	16	12.08	2.4	1.80	130	15	10.27	2.3	1.85	95	19	28.76	2.6	1.70	GS39 GSF39 GSA39 GSAF39			2P	6.6	275	201.00	6.7			0.95	GS59 GSF59 GSA59 GSAF59	4P	107	17	25.38	2.5	1.75	121	15	22.50	2.4	1.85	142	14	19.13	2.3	1.95	144	14	18.85	2.2	1.90	165	12	16.48	2.2	2.00	176	12	15.45	2.1	2.05	200	10	13.63	2.1	2.15	225	8	12.08	2.0	2.20	10	189	137.05	4.9	0.80	10	179	128.10	4.9	0.85	12	158	110.73	5.1	0.95	14	136	94.08	5.2	1.10	16	123	84.00	5.2	1.20	19	107	71.75	5.3	1.30	19	122	69.39	5.2	1.15	20	101	67.20	5.3	1.30	21	113	63.80	5.2	1.20	24	98	54.59	5.3	1.30	28	86	47.32	5.1	1.35	30	81	44.23	5.1	1.40	35	70	38.23	4.9	1.45	41	60	32.48	4.7	1.55	46	54	29.00	4.6	1.65	54	47	24.77	4.4	1.70	57	44	23.20	4.3	1.75	68	41	19.54	4.0	1.90	75	36	17.80	3.8	2.00	88	33	15.12	3.8	2.10	21	93	63.33	2.8	0.85	26	91	51.30	2.8	0.85	30	78	43.68	2.8	0.95	35	68	37.66	2.8	1.00	38	64	35.10	2.8	1.00	0.31	7586	4328	40	0.85	GS109R79 GSF109R79 GSA109R79 GSAF109R79	4P							0.65	2574			2054	24	1.00	GS89R59 GSF89R59 GSA89R59 GSAF89R59	4P							0.73	2286	1824	26	1.10	0.82	2043	1631	27	1.20	1.4	1206	930	28	1.70	1.6	1089	831	28	1.75			1.9	1179	714	11	1.00	GS79R39 GSF79R39 GSA79R39 GSAF79R39	4P							2.1	1053	637	12	1.15	2.3	954	574	13	1.25	2.7	819	499	14	1.35	3.0	720	438	14	1.50	3.4	639	389			15	1.60	3.6	563	365	7.3	0.85	GS69R39 GSF69R39 GSA69R39 GSAF69R39	4P							4.2	491	319	8.1	1.00	4.7	432	281	8.6	1.10	5.4			387	246	9.0	1.25	2.3	882	288.00	28	2.00	GS89 GSF89 GSA89 GSAF89	8P							2.6	801	258.18	28	2.10	3.0	698	222.40	28	2.25									
21	81	63.80	5.4	1.45			24	70	54.59	5.4	1.55			28	61	47.32	5.5	1.65	13	97	98.80	2.8	0.85	GS39 GSF39 GSA39 GSAF39	4P	3.5	581	256.47			15	1.75	GS79 GSF79 GSA79 GSAF79			6P	15			86			86.36	2.8	0.90	16	82	80.96	2.8	0.95	19	73	71.44	2.8	1.00	21	66	63.33	2.8	1.05	24	70	55.93	2.8	1.05	26	65	51.30	2.8	1.05	30	56	43.68	2.8	1.15	35	49	37.66	2.8	1.20	38	46	35.10	2.8	1.20	43	41	30.68	2.8	1.30	46	38	28.76	2.8	1.30	52	33	25.38	2.8	1.40	59	30	22.50	2.8	1.45	70	29	19.13	2.7	1.60	71	26	18.85	2.7	1.50	81	23	16.48	2.6	1.60	86	20	15.45	2.6	1.65	98	18	13.63	2.5	1.70	110	16	12.08	2.4	1.80	130	15	10.27	2.3	1.85	95	19	28.76	2.6	1.70	GS39 GSF39 GSA39 GSAF39					2P	6.6	275	201.00			6.7			0.95	GS59 GSF59 GSA59 GSAF59	4P	107	17	25.38	2.5	1.75	121	15	22.50	2.4	1.85	142	14	19.13	2.3	1.95	144	14	18.85	2.2	1.90	165	12	16.48	2.2	2.00	176	12	15.45	2.1	2.05	200	10	13.63	2.1	2.15	225	8	12.08	2.0	2.20	10	189	137.05	4.9	0.80	10	179	128.10	4.9	0.85	12	158	110.73	5.1	0.95	14	136	94.08	5.2	1.10	16	123	84.00	5.2	1.20	19	107	71.75	5.3	1.30	19	122	69.39	5.2	1.15	20	101	67.20	5.3	1.30	21	113	63.80	5.2	1.20	24	98	54.59	5.3	1.30	28	86	47.32	5.1	1.35	30	81	44.23	5.1	1.40	35	70	38.23	4.9	1.45	41	60	32.48	4.7	1.55	46	54	29.00	4.6	1.65	54	47	24.77	4.4	1.70	57	44	23.20	4.3	1.75	68	41	19.54	4.0	1.90	75	36	17.80	3.8	2.00	88	33	15.12	3.8	2.10	21	93	63.33	2.8	0.85	26	91	51.30	2.8	0.85	30	78	43.68	2.8	0.95	35	68	37.66	2.8	1.00	38	64	35.10	2.8	1.00	0.31	7586	4328	40	0.85	GS109R79 GSF109R79 GSA109R79 GSAF109R79	4P								0.65	2574	2054			24	1.00	GS89R59 GSF89R59 GSA89R59 GSAF89R59	4P							0.73	2286	1824	26	1.10	0.82	2043	1631	27	1.20	1.4	1206	930	28	1.70	1.6			1089	831	28	1.75	1.9			1179	714	11	1.00	GS79R39 GSF79R39 GSA79R39 GSAF79R39	4P							2.1	1053	637	12	1.15	2.3	954	574	13	1.25	2.7	819	499	14	1.35	3.0	720			438	14	1.50	3.4	639	389	15			1.60	3.6	563	365	7.3	0.85	GS69R39 GSF69R39 GSA69R39 GSAF69R39	4P							4.2	491	319			8.1	1.00	4.7	432	281	8.6	1.10	5.4	387			246	9.0	1.25	2.3	882	288.00	28	2.00	GS89 GSF89 GSA89 GSAF89	8P							2.6	801	258.18	28	2.10	3.0	698	222.40	28
24	70	54.59	5.4	1.55			28	61	47.32	5.5	1.65	13	97	98.80	2.8	0.85	GS39 GSF39 GSA39 GSAF39	4P	3.5	581	256.47	15	1.75			GS79 GSF79 GSA79 GSAF79	6P	15			86	86.36					2.8			0.90	16	82	80.96	2.8	0.95	19	73	71.44	2.8	1.00	21	66	63.33	2.8	1.05	24	70	55.93	2.8	1.05	26	65	51.30	2.8	1.05	30	56	43.68	2.8	1.15	35	49	37.66	2.8	1.20	38	46	35.10	2.8	1.20	43	41	30.68	2.8	1.30	46	38	28.76	2.8	1.30	52	33	25.38	2.8	1.40	59	30	22.50	2.8	1.45	70	29	19.13	2.7	1.60	71	26	18.85	2.7	1.50	81	23	16.48	2.6	1.60	86	20	15.45	2.6	1.65	98	18	13.63	2.5	1.70	110	16	12.08	2.4	1.80	130	15	10.27	2.3	1.85	95	19	28.76	2.6	1.70	GS39 GSF39 GSA39 GSAF39	2P	6.6	275	201.00							6.7	0.95	GS59 GSF59 GSA59 GSAF59			4P			107			17	25.38	2.5	1.75	121	15	22.50	2.4	1.85	142	14	19.13	2.3	1.95	144	14	18.85	2.2	1.90	165	12	16.48	2.2	2.00	176	12	15.45	2.1	2.05	200	10	13.63	2.1	2.15	225	8	12.08	2.0	2.20	10	189	137.05	4.9	0.80	10	179	128.10	4.9	0.85	12	158	110.73	5.1	0.95	14	136	94.08	5.2	1.10	16	123	84.00	5.2	1.20	19	107	71.75	5.3	1.30	19	122	69.39	5.2	1.15	20	101	67.20	5.3	1.30	21	113	63.80	5.2	1.20	24	98	54.59	5.3	1.30	28	86	47.32	5.1	1.35	30	81	44.23	5.1	1.40	35	70	38.23	4.9	1.45	41	60	32.48	4.7	1.55	46	54	29.00	4.6	1.65	54	47	24.77	4.4	1.70	57	44	23.20	4.3	1.75	68	41	19.54	4.0	1.90	75	36	17.80	3.8	2.00	88	33	15.12	3.8	2.10	21	93	63.33	2.8	0.85	26	91	51.30	2.8	0.85	30	78	43.68	2.8	0.95	35	68	37.66	2.8	1.00	38	64	35.10	2.8	1.00	0.31	7586	4328	40	0.85	GS109R79 GSF109R79 GSA109R79 GSAF109R79	4P									0.65	2574	2054			24	1.00			GS89R59 GSF89R59 GSA89R59 GSAF89R59	4P							0.73	2286	1824	26	1.10	0.82	2043	1631	27	1.20	1.4	1206	930	28			1.70	1.6	1089	831	28			1.75	1.9	1179	714			11	1.00	GS79R39 GSF79R39 GSA79R39 GSAF79R39	4P							2.1	1053	637	12	1.15	2.3	954	574	13	1.25	2.7	819	499			14	1.35	3.0	720	438	14	1.50			3.4	639	389	15	1.60	3.6			563	365	7.3	0.85	GS69R39 GSF69R39 GSA69R39 GSAF69R39	4P							4.2	491	319	8.1	1.00	4.7	432	281			8.6	1.10	5.4	387	246	9.0	1.25	2.3			882	288.00	28	2.00	GS89 GSF89 GSA89 GSAF89	8P							2.6	801	258.18
28	61	47.32	5.5	1.65	13	97	98.80	2.8	0.85	GS39 GSF39 GSA39 GSAF39	4P	3.5	581	256.47	15	1.75			GS79 GSF79 GSA79 GSAF79	6P	15	86	86.36					2.8			0.90	16					82	80.96	2.8	0.95	19	73	71.44	2.8	1.00	21	66	63.33	2.8	1.05	24	70	55.93	2.8	1.05	26	65	51.30	2.8	1.05	30	56	43.68	2.8	1.15	35	49	37.66	2.8	1.20	38	46	35.10	2.8	1.20	43	41	30.68	2.8	1.30	46	38	28.76	2.8	1.30	52	33	25.38	2.8	1.40	59	30	22.50	2.8	1.45	70	29	19.13	2.7	1.60	71	26	18.85	2.7	1.50	81	23	16.48	2.6	1.60	86	20	15.45	2.6	1.65	98	18	13.63	2.5	1.70	110	16	12.08	2.4	1.80	130	15	10.27	2.3	1.85	95	19	28.76	2.6	1.70	GS39 GSF39 GSA39 GSAF39	2P	6.6	275	201.00			6.7	0.95	GS59 GSF59 GSA59 GSAF59							4P	107							17			25.38	2.5	1.75	121	15	22.50	2.4	1.85	142	14	19.13	2.3	1.95	144	14	18.85	2.2	1.90	165	12	16.48	2.2	2.00	176	12	15.45	2.1	2.05	200	10	13.63	2.1	2.15	225	8	12.08	2.0	2.20	10	189	137.05	4.9	0.80	10	179	128.10	4.9	0.85	12	158	110.73	5.1	0.95	14	136	94.08	5.2	1.10	16	123	84.00	5.2	1.20	19	107	71.75	5.3	1.30	19	122	69.39	5.2	1.15	20	101	67.20	5.3	1.30	21	113	63.80	5.2	1.20	24	98	54.59	5.3	1.30	28	86	47.32	5.1	1.35	30	81	44.23	5.1	1.40	35	70	38.23	4.9	1.45	41	60	32.48	4.7	1.55	46	54	29.00	4.6	1.65	54	47	24.77	4.4	1.70	57	44	23.20	4.3	1.75	68	41	19.54	4.0	1.90	75	36	17.80	3.8	2.00	88	33	15.12	3.8	2.10	21	93	63.33	2.8	0.85	26	91	51.30	2.8	0.85	30	78	43.68	2.8	0.95	35	68	37.66	2.8	1.00	38	64	35.10	2.8	1.00	0.31	7586	4328	40	0.85	GS109R79 GSF109R79 GSA109R79 GSAF109R79	4P							0.65	2574	2054	24	1.00	GS89R59 GSF89R59 GSA89R59 GSAF89R59			4P							0.73	2286	1824	26	1.10	0.82	2043	1631	27	1.20	1.4	1206	930	28	1.70	1.6	1089	831	28			1.75	1.9	1179	714	11			1.00	GS79R39 GSF79R39 GSA79R39 GSAF79R39	4P								2.1	1053	637	12	1.15	2.3	954	574	13	1.25	2.7	819	499	14	1.35	3.0	720	438	14	1.50	3.4	639	389	15	1.60	3.6	563	365			7.3	0.85	GS69R39 GSF69R39 GSA69R39 GSAF69R39	4P							4.2	491			319	8.1	1.00	4.7	432	281	8.6	1.10	5.4	387	246	9.0	1.25	2.3	882	288.00	28	2.00	GS89 GSF89 GSA89 GSAF89	8P							2.6	801	258.18	28			2.10	3.0	698	222.40	28	2.25			
13	97	98.80	2.8	0.85	GS39 GSF39 GSA39 GSAF39	4P	3.5	581	256.47			15	1.75	GS79 GSF79 GSA79 GSAF79	6P																																																																																																																																																																																																																																																																																																																																																																																																																																																																													
15	86	86.36	2.8	0.90			16	82	80.96			2.8	0.95			19					73	71.44	2.8			1.00	21	66			63.33	2.8	1.05			24	70	55.93	2.8	1.05	26	65	51.30	2.8	1.05	30	56	43.68	2.8	1.15	35	49	37.66	2.8	1.20	38	46	35.10	2.8	1.20	43	41	30.68	2.8	1.30	46	38	28.76	2.8	1.30	52	33	25.38	2.8	1.40	59	30	22.50	2.8	1.45	70	29	19.13	2.7	1.60	71	26	18.85	2.7	1.50	81	23	16.48	2.6	1.60	86	20	15.45	2.6	1.65	98	18	13.63	2.5	1.70	110	16	12.08	2.4	1.80	130	15	10.27	2.3	1.85	95	19	28.76	2.6	1.70	GS39 GSF39 GSA39 GSAF39	2P	6.6	275	201.00	6.7	0.95	GS59 GSF59 GSA59 GSAF59	4P	107	17	25.38	2.5	1.75	121			15	22.50	2.4			1.85	142									14							19.13			2.3	1.95	144	14	18.85	2.2	1.90	165	12	16.48	2.2	2.00	176	12	15.45	2.1	2.05	200	10	13.63	2.1	2.15	225	8	12.08	2.0	2.20	10	189	137.05	4.9	0.80	10	179	128.10	4.9	0.85	12	158	110.73	5.1	0.95	14	136	94.08	5.2	1.10	16	123	84.00	5.2	1.20	19	107	71.75	5.3	1.30	19	122	69.39	5.2	1.15	20	101	67.20	5.3	1.30	21	113	63.80	5.2	1.20	24	98	54.59	5.3	1.30	28	86	47.32	5.1	1.35	30	81	44.23	5.1	1.40	35	70	38.23	4.9	1.45	41	60	32.48	4.7	1.55	46	54	29.00	4.6	1.65	54	47	24.77	4.4	1.70	57	44	23.20	4.3	1.75	68	41	19.54	4.0	1.90	75	36	17.80	3.8	2.00	88	33	15.12	3.8	2.10	21	93	63.33	2.8	0.85	26	91	51.30	2.8	0.85	30	78	43.68	2.8	0.95	35	68	37.66	2.8	1.00	38	64	35.10	2.8	1.00	0.31	7586	4328	40	0.85	GS109R79 GSF109R79 GSA109R79 GSAF109R79	4P							0.65	2574	2054	24	1.00	GS89R59 GSF89R59 GSA89R59 GSAF89R59	4P							0.73	2286	1824		26	1.10		0.82	2043	1631			27	1.20	1.4	1206	930	28	1.70	1.6	1089	831	28	1.75	1.9	1179	714	11	1.00	GS79R39 GSF79R39 GSA79R39 GSAF79R39	4P							2.1	1053			637			12			1.15	2.3			954	574	13	1.25	2.7	819	499	14	1.35	3.0	720	438	14	1.50	3.4	639	389	15	1.60	3.6	563	365	7.3	0.85	GS69R39 GSF69R39 GSA69R39 GSAF69R39	4P									4.2	491	319	8.1	1.00	4.7	432	281			8.6	1.10	5.4	387	246	9.0	1.25	2.3	882	288.00	28	2.00	GS89 GSF89 GSA89 GSAF89	8P							2.6	801	258.18	28	2.10	3.0	698	222.40	28	2.25											
16	82	80.96	2.8	0.95			19	73	71.44			2.8	1.00			21			66	63.33	2.8	1.05	24			70	55.93	2.8			1.05	26	65			51.30	2.8	1.05	30	56	43.68	2.8	1.15	35	49	37.66	2.8	1.20	38	46	35.10	2.8	1.20	43	41	30.68	2.8	1.30	46	38	28.76	2.8	1.30	52	33	25.38	2.8	1.40	59	30	22.50	2.8	1.45	70	29	19.13	2.7	1.60	71	26	18.85	2.7	1.50	81	23	16.48	2.6	1.60	86	20	15.45	2.6	1.65	98	18	13.63	2.5	1.70	110	16	12.08	2.4	1.80	130	15	10.27	2.3	1.85	95	19	28.76	2.6	1.70	GS39 GSF39 GSA39 GSAF39	2P	6.6	275	201.00	6.7	0.95			GS59 GSF59 GSA59 GSAF59	4P	107	17	25.38			2.5	1.75	121	15	22.50	2.4			1.85	142	14			19.13	2.3									1.95							144			14	18.85	2.2	1.90	165	12	16.48	2.2	2.00	176	12	15.45	2.1	2.05	200	10	13.63	2.1	2.15	225	8	12.08	2.0	2.20	10	189	137.05	4.9	0.80	10	179	128.10	4.9	0.85	12	158	110.73	5.1	0.95	14	136	94.08	5.2	1.10	16	123	84.00	5.2	1.20	19	107	71.75	5.3	1.30	19	122	69.39	5.2	1.15	20	101	67.20	5.3	1.30	21	113	63.80	5.2	1.20	24	98	54.59	5.3	1.30	28	86	47.32	5.1	1.35	30	81	44.23	5.1	1.40	35	70	38.23	4.9	1.45	41	60	32.48	4.7	1.55	46	54	29.00	4.6	1.65	54	47	24.77	4.4	1.70	57	44	23.20	4.3	1.75	68	41	19.54	4.0	1.90	75	36	17.80	3.8	2.00	88	33	15.12	3.8	2.10	21	93	63.33	2.8	0.85	26	91	51.30	2.8	0.85	30	78	43.68	2.8	0.95	35	68	37.66	2.8	1.00	38	64	35.10	2.8	1.00	0.31	7586	4328	40	0.85	GS109R79 GSF109R79 GSA109R79 GSAF109R79	4P							0.65	2574	2054	24	1.00	GS89R59 GSF89R59 GSA89R59 GSAF89R59	4P							0.73	2286	1824	26	1.10	0.82		2043	1631		27	1.20	1.4	1206	930	28	1.70	1.6	1089	831	28	1.75	1.9	1179	714	11	1.00	GS79R39 GSF79R39 GSA79R39 GSAF79R39	4P							2.1	1053	637	12	1.15	2.3	954	574	13	1.25			2.7			819	499			14	1.35	3.0	720	438	14	1.50	3.4	639	389	15	1.60	3.6	563	365	7.3	0.85	GS69R39 GSF69R39 GSA69R39 GSAF69R39	4P								4.2	491	319	8.1	1.00	4.7			432	281	8.6	1.10	5.4	387	246	9.0	1.25	2.3	882	288.00	28	2.00	GS89 GSF89 GSA89 GSAF89	8P									2.6	801	258.18	28	2.10	3.0	698	222.40	28	2.25																	
19	73	71.44	2.8	1.00			21	66	63.33			2.8	1.05	24	70	55.93			2.8	1.05	26	65	51.30			2.8	1.05	30			56	43.68	2.8			1.15	35	49	37.66	2.8	1.20	38	46	35.10	2.8	1.20	43	41	30.68	2.8	1.30	46	38	28.76	2.8	1.30	52	33	25.38	2.8	1.40	59	30	22.50	2.8	1.45	70	29	19.13	2.7	1.60	71	26	18.85	2.7	1.50	81	23	16.48	2.6	1.60	86	20	15.45	2.6	1.65	98	18	13.63	2.5	1.70	110	16	12.08	2.4	1.80	130	15	10.27	2.3	1.85	95	19	28.76	2.6	1.70	GS39 GSF39 GSA39 GSAF39	2P	6.6	275	201.00	6.7	0.95			GS59 GSF59 GSA59 GSAF59	4P	107	17	25.38					2.5	1.75	121			15	22.50	2.4	1.85	142	14			19.13	2.3	1.95			144	14									18.85							2.2			1.90	165	12	16.48	2.2	2.00	176	12	15.45	2.1	2.05	200	10	13.63	2.1	2.15	225	8	12.08	2.0	2.20	10	189	137.05	4.9	0.80	10	179	128.10	4.9	0.85	12	158	110.73	5.1	0.95	14	136	94.08	5.2	1.10	16	123	84.00	5.2	1.20	19	107	71.75	5.3	1.30	19	122	69.39	5.2	1.15	20	101	67.20	5.3	1.30	21	113	63.80	5.2	1.20	24	98	54.59	5.3	1.30	28	86	47.32	5.1	1.35	30	81	44.23	5.1	1.40	35	70	38.23	4.9	1.45	41	60	32.48	4.7	1.55	46	54	29.00	4.6	1.65	54	47	24.77	4.4	1.70	57	44	23.20	4.3	1.75	68	41	19.54	4.0	1.90	75	36	17.80	3.8	2.00	88	33	15.12	3.8	2.10	21	93	63.33	2.8	0.85	26	91	51.30	2.8	0.85	30	78	43.68	2.8	0.95	35	68	37.66	2.8	1.00	38	64	35.10	2.8	1.00	0.31	7586	4328	40	0.85	GS109R79 GSF109R79 GSA109R79 GSAF109R79	4P							0.65	2574	2054	24	1.00	GS89R59 GSF89R59 GSA89R59 GSAF89R59	4P							0.73	2286	1824	26	1.10	0.82	2043	1631	27	1.20	1.4	1206	930	28	1.70	1.6	1089	831	28	1.75	1.9	1179	714	11	1.00	GS79R39 GSF79R39 GSA79R39 GSAF79R39	4P							2.1	1053			637	12	1.15	2.3	954	574	13	1.25	2.7	819	499			14	1.35	3.0	720	438			14	1.50	3.4	639	389	15	1.60	3.6	563	365	7.3	0.85	GS69R39 GSF69R39 GSA69R39 GSAF69R39	4P							4.2	491	319	8.1			1.00	4.7	432	281	8.6	1.10	5.4	387	246	9.0	1.25	2.3	882	288.00	28	2.00	GS89 GSF89 GSA89 GSAF89	8P							2.6	801	258.18	28	2.10	3.0			698	222.40	28	2.25																							
21	66	63.33	2.8	1.05			24	70	55.93			2.8	1.05	26	65	51.30			2.8	1.05	30	56	43.68			2.8	1.15	35			49	37.66	2.8			1.20	38	46	35.10	2.8	1.20	43	41	30.68	2.8	1.30	46	38	28.76	2.8	1.30	52	33	25.38	2.8	1.40	59	30	22.50	2.8	1.45	70	29	19.13	2.7	1.60	71	26	18.85	2.7	1.50	81	23	16.48	2.6	1.60	86	20	15.45	2.6	1.65	98	18	13.63	2.5	1.70	110	16	12.08	2.4	1.80	130	15	10.27	2.3	1.85	95	19	28.76	2.6	1.70	GS39 GSF39 GSA39 GSAF39	2P	6.6	275	201.00			6.7	0.95	GS59 GSF59 GSA59 GSAF59	4P	107					17	25.38	2.5					1.75	121	15			22.50	2.4	1.85	142	14	19.13			2.3	1.95	144			14	18.85									2.2							1.90			165	12	16.48	2.2	2.00	176	12	15.45	2.1	2.05	200	10	13.63	2.1	2.15	225	8	12.08	2.0	2.20	10	189	137.05	4.9	0.80	10	179	128.10	4.9	0.85	12	158	110.73	5.1	0.95	14	136	94.08	5.2	1.10	16	123	84.00	5.2	1.20	19	107	71.75	5.3	1.30	19	122	69.39	5.2	1.15	20	101	67.20	5.3	1.30	21	113	63.80	5.2	1.20	24	98	54.59	5.3	1.30	28	86	47.32	5.1	1.35	30	81	44.23	5.1	1.40	35	70	38.23	4.9	1.45	41	60	32.48	4.7	1.55	46	54	29.00	4.6	1.65	54	47	24.77	4.4	1.70	57	44	23.20	4.3	1.75	68	41	19.54	4.0	1.90	75	36	17.80	3.8	2.00	88	33	15.12	3.8	2.10	21	93	63.33	2.8	0.85	26	91	51.30	2.8	0.85	30	78	43.68	2.8	0.95	35	68	37.66	2.8	1.00	38	64	35.10	2.8	1.00	0.31	7586	4328	40	0.85	GS109R79 GSF109R79 GSA109R79 GSAF109R79	4P							0.65	2574	2054	24	1.00	GS89R59 GSF89R59 GSA89R59 GSAF89R59			4P									0.73	2286	1824	26	1.10	0.82	2043	1631	27	1.20	1.4	1206	930	28	1.70	1.6	1089	831	28	1.75	1.9	1179			714	11	1.00			GS79R39 GSF79R39 GSA79R39 GSAF79R39	4P							2.1	1053	637	12	1.15	2.3	954	574			13	1.25	2.7	819	499	14	1.35	3.0	720	438	14	1.50	3.4	639	389	15	1.60	3.6	563			365	7.3	0.85			GS69R39 GSF69R39 GSA69R39 GSAF69R39	4P							4.2	491	319	8.1	1.00	4.7	432	281	8.6	1.10	5.4	387	246	9.0	1.25			2.3	882	288.00	28			2.00	GS89 GSF89 GSA89 GSAF89	8P							2.6	801	258.18	28	2.10	3.0	698	222.40	28	2.25																
24	70	55.93	2.8	1.05			26	65	51.30			2.8	1.05	30	56	43.68			2.8	1.15	35	49	37.66			2.8	1.20	38			46	35.10	2.8			1.20	43	41	30.68	2.8	1.30	46	38	28.76	2.8	1.30	52	33	25.38	2.8	1.40	59	30	22.50	2.8	1.45	70	29	19.13	2.7	1.60	71	26	18.85	2.7	1.50	81	23	16.48	2.6	1.60	86	20	15.45	2.6	1.65	98	18	13.63	2.5	1.70	110	16	12.08	2.4	1.80	130	15	10.27	2.3	1.85	95	19	28.76	2.6	1.70	GS39 GSF39 GSA39 GSAF39	2P	6.6	275	201.00			6.7	0.95	GS59 GSF59 GSA59 GSAF59			4P	107			17					25.38	2.5	1.75					121	15	22.50			2.4	1.85	142	14	19.13	2.3			1.95	144	14			18.85	2.2				1.90	165				12		16.48	2.2				2.00			176	12	15.45	2.1	2.05	200	10	13.63	2.1	2.15	225	8	12.08	2.0	2.20	10	189	137.05	4.9	0.80	10	179	128.10	4.9	0.85	12	158	110.73	5.1	0.95	14	136	94.08	5.2	1.10	16	123	84.00	5.2	1.20	19	107	71.75	5.3	1.30	19	122	69.39	5.2	1.15	20	101	67.20	5.3	1.30	21	113	63.80	5.2	1.20	24	98	54.59	5.3	1.30	28	86	47.32	5.1	1.35	30	81	44.23	5.1	1.40	35	70	38.23	4.9	1.45	41	60	32.48	4.7	1.55	46	54	29.00	4.6	1.65	54	47	24.77	4.4	1.70	57	44	23.20	4.3	1.75	68	41	19.54	4.0	1.90	75	36	17.80	3.8	2.00	88	33	15.12	3.8	2.10	21	93	63.33	2.8	0.85	26	91	51.30	2.8	0.85	30	78	43.68	2.8	0.95	35	68	37.66	2.8	1.00	38	64	35.10	2.8	1.00	0.31	7586	4328	40	0.85	GS109R79 GSF109R79 GSA109R79 GSAF109R79	4P							0.65	2574	2054	24	1.00	GS89R59 GSF89R59 GSA89R59 GSAF89R59	4P										0.73	2286	1824	26	1.10	0.82	2043	1631	27	1.20	1.4	1206	930	28	1.70	1.6	1089	831	28	1.75	1.9	1179	714	11	1.00	GS79R39 GSF79R39 GSA79R39 GSAF79R39	4P											2.1			1053	637	12	1.15	2.3	954	574	13	1.25	2.7	819	499	14	1.35	3.0	720	438	14	1.50	3.4	639	389	15	1.60	3.6	563	365	7.3	0.85	GS69R39 GSF69R39 GSA69R39 GSAF69R39	4P											4.2	491	319	8.1	1.00	4.7	432	281	8.6	1.10	5.4	387	246	9.0	1.25	2.3	882	288.00	28	2.00	GS89 GSF89 GSA89 GSAF89			8P									2.6	801	258.18	28	2.10	3.0	698	222.40	28	2.25																						
26	65	51.30	2.8	1.05			30	56	43.68			2.8	1.15	35	49	37.66			2.8	1.20	38	46	35.10			2.8	1.20	43			41	30.68	2.8			1.30	46	38	28.76	2.8	1.30	52	33	25.38	2.8	1.40	59	30	22.50	2.8	1.45	70	29	19.13	2.7	1.60	71	26	18.85	2.7	1.50	81	23	16.48	2.6	1.60	86	20	15.45	2.6	1.65	98	18	13.63	2.5	1.70	110	16	12.08	2.4	1.80	130	15	10.27	2.3	1.85	95	19	28.76	2.6	1.70	GS39 GSF39 GSA39 GSAF39	2P	6.6	275	201.00			6.7	0.95	GS59 GSF59 GSA59 GSAF59			4P	107					17			25.38					2.5	1.75	121					15	22.50	2.4			1.85	142	14	19.13	2.3	1.95			144	14	18.85			2.2	1.90			165	12	16.48	2.2			2.00		176	12		15.45	2.1	2.05			200	10	13.63	2.1	2.15	225	8	12.08	2.0	2.20	10	189	137.05	4.9	0.80	10	179	128.10	4.9	0.85	12	158	110.73	5.1	0.95	14	136	94.08	5.2	1.10	16	123	84.00	5.2	1.20	19	107	71.75	5.3	1.30	19	122	69.39	5.2	1.15	20	101	67.20	5.3	1.30	21	113	63.80	5.2	1.20	24	98	54.59	5.3	1.30	28	86	47.32	5.1	1.35	30	81	44.23	5.1	1.40	35	70	38.23	4.9	1.45	41	60	32.48	4.7	1.55	46	54	29.00	4.6	1.65	54	47	24.77	4.4	1.70	57	44	23.20	4.3	1.75	68	41	19.54	4.0	1.90	75	36	17.80	3.8	2.00	88	33	15.12	3.8	2.10	21	93	63.33	2.8	0.85	26	91	51.30	2.8	0.85	30	78	43.68	2.8	0.95	35	68	37.66	2.8	1.00	38	64	35.10	2.8	1.00	0.31	7586	4328	40	0.85	GS109R79 GSF109R79 GSA109R79 GSAF109R79	4P							0.65	2574	2054	24	1.00	GS89R59 GSF89R59 GSA89R59 GSAF89R59	4P							0.73	2286					1824	26	1.10	0.82	2043	1631	27	1.20	1.4	1206	930	28	1.70	1.6	1089	831	28	1.75	1.9	1179	714	11	1.00	GS79R39 GSF79R39 GSA79R39 GSAF79R39	4P								2.1	1053	637					12			1.15	2.3	954	574	13	1.25	2.7	819	499	14	1.35	3.0	720	438	14	1.50	3.4	639	389	15	1.60	3.6	563	365	7.3	0.85	GS69R39 GSF69R39 GSA69R39 GSAF69R39	4P							4.2	491	319	8.1	1.00			4.7	432	281	8.6	1.10	5.4	387	246	9.0	1.25	2.3	882	288.00	28	2.00	GS89 GSF89 GSA89 GSAF89	8P								2.6	801	258.18	28	2.10	3.0			698	222.40	28	2.25																												
30	56	43.68	2.8	1.15			35	49	37.66			2.8	1.20	38	46	35.10			2.8	1.20	43	41	30.68			2.8	1.30	46			38	28.76	2.8			1.30	52	33	25.38	2.8	1.40	59	30	22.50	2.8	1.45	70	29	19.13	2.7	1.60	71	26	18.85	2.7	1.50	81	23	16.48	2.6	1.60	86	20	15.45	2.6	1.65	98	18	13.63	2.5	1.70	110	16	12.08	2.4	1.80	130	15	10.27	2.3	1.85	95	19	28.76	2.6	1.70	GS39 GSF39 GSA39 GSAF39	2P	6.6	275	201.00			6.7	0.95	GS59 GSF59 GSA59 GSAF59			4P	107					17					25.38			2.5					1.75	121	15					22.50	2.4	1.85			142	14	19.13	2.3	1.95	144			14	18.85	2.2			1.90	165		12	16.48	2.2	2.00	176	12		15.45		2.1	2.05		200	10	13.63	2.1	2.15	225	8	12.08	2.0	2.20	10	189	137.05	4.9	0.80	10	179	128.10	4.9	0.85	12	158	110.73	5.1	0.95	14	136	94.08	5.2	1.10	16	123	84.00	5.2	1.20	19	107	71.75	5.3	1.30	19	122	69.39	5.2	1.15	20	101	67.20	5.3	1.30	21	113	63.80	5.2	1.20	24	98	54.59	5.3	1.30	28	86	47.32	5.1	1.35	30	81	44.23	5.1	1.40	35	70	38.23	4.9	1.45	41	60	32.48	4.7	1.55	46	54	29.00	4.6	1.65	54	47	24.77	4.4	1.70	57	44	23.20	4.3	1.75	68	41	19.54	4.0	1.90	75	36	17.80	3.8	2.00	88	33	15.12	3.8	2.10	21	93	63.33	2.8	0.85	26	91	51.30	2.8	0.85	30	78	43.68	2.8	0.95	35	68	37.66	2.8	1.00	38	64	35.10	2.8	1.00	0.31	7586	4328	40	0.85	GS109R79 GSF109R79 GSA109R79 GSAF109R79	4P							0.65	2574	2054	24	1.00	GS89R59 GSF89R59 GSA89R59 GSAF89R59	4P							0.73	2286			1824	26	1.10		0.82	2043		1631	27	1.20	1.4	1206	930	28	1.70	1.6	1089	831	28	1.75	1.9	1179	714	11	1.00	GS79R39 GSF79R39 GSA79R39 GSAF79R39	4P							2.1			1053			637	12	1.15					2.3	954	574	13	1.25	2.7	819	499	14	1.35	3.0	720	438	14	1.50	3.4	639	389	15	1.60	3.6	563	365	7.3	0.85	GS69R39 GSF69R39 GSA69R39 GSAF69R39	4P								4.2	491	319	8.1	1.00	4.7	432	281			8.6	1.10	5.4	387	246	9.0	1.25	2.3	882	288.00	28	2.00	GS89 GSF89 GSA89 GSAF89	8P								2.6	801		258.18	28	2.10	3.0	698	222.40	28	2.25																																
35	49	37.66	2.8	1.20			38	46	35.10			2.8	1.20	43	41	30.68			2.8	1.30	46	38	28.76			2.8	1.30	52			33	25.38	2.8			1.40	59	30	22.50	2.8	1.45	70	29	19.13	2.7	1.60	71	26	18.85	2.7	1.50	81	23	16.48	2.6	1.60	86	20	15.45	2.6	1.65	98	18	13.63	2.5	1.70	110	16	12.08	2.4	1.80	130	15	10.27	2.3	1.85	95	19	28.76	2.6	1.70	GS39 GSF39 GSA39 GSAF39	2P	6.6	275	201.00			6.7	0.95	GS59 GSF59 GSA59 GSAF59			4P	107					17					25.38					2.5			1.75					121	15	22.50					2.4	1.85	142			14	19.13	2.3	1.95	144	14			18.85	2.2	1.90	165	12	16.48	2.2		2.00	176	12	15.45	2.1	2.05		200	10	13.63	2.1	2.15	225	8	12.08	2.0	2.20	10	189	137.05	4.9	0.80	10	179	128.10	4.9	0.85	12	158	110.73	5.1	0.95	14	136	94.08	5.2	1.10	16	123	84.00	5.2	1.20	19	107	71.75	5.3	1.30	19	122	69.39	5.2	1.15	20	101	67.20	5.3	1.30	21	113	63.80	5.2	1.20	24	98	54.59	5.3	1.30	28	86	47.32	5.1	1.35	30	81	44.23	5.1	1.40	35	70	38.23	4.9	1.45	41	60	32.48	4.7	1.55	46	54	29.00	4.6	1.65	54	47	24.77	4.4	1.70	57	44	23.20	4.3	1.75	68	41	19.54	4.0	1.90	75	36	17.80	3.8	2.00	88	33	15.12	3.8	2.10	21	93	63.33	2.8	0.85	26	91	51.30	2.8	0.85	30	78	43.68	2.8	0.95	35	68	37.66	2.8	1.00	38	64	35.10	2.8	1.00	0.31	7586	4328	40	0.85	GS109R79 GSF109R79 GSA109R79 GSAF109R79	4P							0.65	2574	2054	24	1.00	GS89R59 GSF89R59 GSA89R59 GSAF89R59	4P							0.73	2286			1824	26	1.10			0.82	2043	1631	27	1.20	1.4	1206	930	28	1.70	1.6	1089	831	28	1.75	1.9	1179	714	11	1.00	GS79R39 GSF79R39 GSA79R39 GSAF79R39	4P							2.1	1053			637	12			1.15			2.3	954	574	13	1.25			2.7	819	499	14	1.35	3.0	720	438	14	1.50	3.4	639	389	15	1.60	3.6	563	365	7.3	0.85	GS69R39 GSF69R39 GSA69R39 GSAF69R39	4P							4.2			491			319	8.1	1.00	4.7	432	281	8.6	1.10	5.4	387	246	9.0	1.25	2.3	882	288.00	28	2.00	GS89 GSF89 GSA89 GSAF89	8P								2.6	801	258.18	28	2.10	3.0	698	222.40	28	2.25																																					
38	46	35.10	2.8	1.20			43	41	30.68			2.8	1.30	46	38	28.76			2.8	1.30	52	33	25.38			2.8	1.40	59			30	22.50	2.8			1.45	70	29	19.13	2.7	1.60	71	26	18.85	2.7	1.50	81	23	16.48	2.6	1.60	86	20	15.45	2.6	1.65	98	18	13.63	2.5	1.70	110	16	12.08	2.4	1.80	130	15	10.27	2.3	1.85	95	19	28.76	2.6	1.70	GS39 GSF39 GSA39 GSAF39	2P	6.6	275	201.00			6.7	0.95	GS59 GSF59 GSA59 GSAF59			4P	107					17					25.38					2.5					1.75			121					15	22.50	2.4					1.85	142	14			19.13	2.3	1.95	144	14	18.85	2.2	1.90	165	12	16.48	2.2	2.00	176	12	15.45	2.1	2.05	200	10	13.63	2.1	2.15	225	8	12.08	2.0	2.20	10	189	137.05	4.9	0.80	10	179	128.10	4.9	0.85	12	158	110.73	5.1	0.95	14	136	94.08	5.2	1.10	16	123	84.00	5.2	1.20	19	107	71.75	5.3	1.30	19	122	69.39	5.2	1.15	20	101	67.20	5.3	1.30	21	113	63.80	5.2	1.20	24	98	54.59	5.3	1.30	28	86	47.32	5.1	1.35	30	81	44.23	5.1	1.40	35	70	38.23	4.9	1.45	41	60	32.48	4.7	1.55	46	54	29.00	4.6	1.65	54	47	24.77	4.4	1.70	57	44	23.20	4.3	1.75	68	41	19.54	4.0	1.90	75	36	17.80	3.8	2.00	88	33	15.12	3.8	2.10	21	93	63.33	2.8	0.85	26	91	51.30	2.8	0.85	30	78	43.68	2.8	0.95	35	68	37.66	2.8	1.00	38	64	35.10	2.8	1.00	0.31	7586	4328	40	0.85	GS109R79 GSF109R79 GSA109R79 GSAF109R79	4P							0.65	2574	2054	24	1.00	GS89R59 GSF89R59 GSA89R59 GSAF89R59	4P							0.73	2286			1824	26	1.10			0.82	2043	1631	27	1.20	1.4	1206	930	28	1.70	1.6	1089	831	28	1.75	1.9	1179	714	11	1.00	GS79R39 GSF79R39 GSA79R39 GSAF79R39	4P							2.1	1053			637	12	1.15			2.3	954			574	13	1.25	2.7	819	499	14	1.35			3.0	720	438	14	1.50	3.4	639	389	15	1.60	3.6	563	365	7.3	0.85	GS69R39 GSF69R39 GSA69R39 GSAF69R39	4P							4.2	491			319	8.1			1.00	4.7	432	281	8.6	1.10	5.4	387	246	9.0	1.25	2.3	882	288.00	28	2.00	GS89 GSF89 GSA89 GSAF89	8P							2.6			801	258.18	28	2.10	3.0	698	222.40	28	2.25																																									
43	41	30.68	2.8	1.30			46	38	28.76			2.8	1.30	52	33	25.38			2.8	1.40	59	30	22.50			2.8	1.45	70			29	19.13	2.7	1.60	71	26	18.85	2.7	1.50	81	23	16.48	2.6	1.60	86	20	15.45	2.6	1.65	98	18	13.63	2.5	1.70	110	16	12.08	2.4	1.80	130	15	10.27	2.3	1.85	95	19	28.76	2.6	1.70	GS39 GSF39 GSA39 GSAF39	2P	6.6	275	201.00	6.7	0.95			GS59 GSF59 GSA59 GSAF59	4P	107			17	25.38					2.5					1.75					121					15					22.50			2.4					1.85	142	14					19.13	2.3	1.95			144	14	18.85	2.2	1.90	165	12	16.48	2.2	2.00	176	12	15.45	2.1	2.05	200	10	13.63	2.1	2.15	225	8	12.08	2.0	2.20	10	189	137.05	4.9	0.80	10	179	128.10	4.9	0.85	12	158	110.73	5.1	0.95	14	136	94.08	5.2	1.10	16	123	84.00	5.2	1.20	19	107	71.75	5.3	1.30	19	122	69.39	5.2	1.15	20	101	67.20	5.3	1.30	21	113	63.80	5.2	1.20	24	98	54.59	5.3	1.30	28	86	47.32	5.1	1.35	30	81	44.23	5.1	1.40	35	70	38.23	4.9	1.45	41	60	32.48	4.7	1.55	46	54	29.00	4.6	1.65	54	47	24.77	4.4	1.70	57	44	23.20	4.3	1.75	68	41	19.54	4.0	1.90	75	36	17.80	3.8	2.00	88	33	15.12	3.8	2.10	21	93	63.33	2.8	0.85	26	91	51.30	2.8	0.85	30	78	43.68	2.8	0.95	35	68	37.66	2.8	1.00	38	64	35.10	2.8	1.00	0.31	7586	4328	40	0.85	GS109R79 GSF109R79 GSA109R79 GSAF109R79	4P							0.65	2574	2054	24	1.00	GS89R59 GSF89R59 GSA89R59 GSAF89R59	4P									0.73	2286	1824			26	1.10	0.82	2043	1631	27	1.20	1.4	1206	930	28	1.70	1.6	1089	831	28	1.75	1.9	1179	714	11	1.00	GS79R39 GSF79R39 GSA79R39 GSAF79R39	4P									2.1	1053	637			12	1.15	2.3			954	574			13	1.25	2.7	819	499	14	1.35	3.0	720	438	14	1.50	3.4	639	389	15	1.60	3.6	563	365	7.3	0.85	GS69R39 GSF69R39 GSA69R39 GSAF69R39	4P									4.2	491	319			8.1	1.00	4.7	432	281	8.6	1.10	5.4	387	246	9.0	1.25	2.3	882	288.00	28	2.00	GS89 GSF89 GSA89 GSAF89	8P									2.6	801	258.18	28	2.10	3.0	698	222.40	28	2.25																																												
46	38	28.76	2.8	1.30			52	33	25.38			2.8	1.40	59	30	22.50			2.8	1.45	70	29	19.13			2.7	1.60	71	26	18.85	2.7	1.50	81	23	16.48	2.6	1.60	86	20	15.45	2.6	1.65	98	18	13.63	2.5	1.70	110	16	12.08	2.4	1.80	130	15	10.27	2.3	1.85	95	19	28.76	2.6	1.70	GS39 GSF39 GSA39 GSAF39	2P	6.6	275	201.00	6.7	0.95			GS59 GSF59 GSA59 GSAF59	4P	107	17	25.38					2.5			1.75	121					15					22.50					2.4					1.85					142			14					19.13	2.3	1.95	144	14			18.85	2.2	1.90	165	12	16.48	2.2	2.00	176	12	15.45	2.1	2.05	200	10	13.63	2.1	2.15	225	8	12.08	2.0	2.20	10	189	137.05	4.9	0.80	10	179	128.10	4.9	0.85	12	158	110.73	5.1	0.95	14	136	94.08	5.2	1.10	16	123	84.00	5.2	1.20	19	107	71.75	5.3	1.30	19	122	69.39	5.2	1.15	20	101	67.20	5.3	1.30	21	113	63.80	5.2	1.20	24	98	54.59	5.3	1.30	28	86	47.32	5.1	1.35	30	81	44.23	5.1	1.40	35	70	38.23	4.9	1.45	41	60	32.48	4.7	1.55	46	54	29.00	4.6	1.65	54	47	24.77	4.4	1.70	57	44	23.20	4.3	1.75	68	41	19.54	4.0	1.90	75	36	17.80	3.8	2.00	88	33	15.12	3.8	2.10	21	93	63.33	2.8	0.85	26	91	51.30	2.8	0.85	30	78	43.68	2.8	0.95	35	68	37.66	2.8	1.00	38	64	35.10	2.8	1.00	0.31	7586	4328	40	0.85	GS109R79 GSF109R79 GSA109R79 GSAF109R79	4P							0.65	2574	2054	24	1.00	GS89R59 GSF89R59 GSA89R59 GSAF89R59	4P								0.73			2286	1824	26			1.10	0.82	2043	1631	27	1.20	1.4	1206	930	28	1.70	1.6	1089	831	28	1.75	1.9	1179	714	11	1.00	GS79R39 GSF79R39 GSA79R39 GSAF79R39	4P							2.1			1053	637	12			1.15	2.3	954			574	13	1.25			2.7	819	499	14	1.35	3.0	720	438	14	1.50	3.4	639	389	15	1.60	3.6	563	365	7.3	0.85	GS69R39 GSF69R39 GSA69R39 GSAF69R39	4P							4.2			491	319	8.1			1.00	4.7	432	281	8.6	1.10	5.4	387	246	9.0	1.25	2.3	882	288.00	28	2.00	GS89 GSF89 GSA89 GSAF89	8P							2.6			801	258.18	28	2.10	3.0	698	222.40	28	2.25																																																		
52	33	25.38	2.8	1.40			59	30	22.50			2.8	1.45	70	29	19.13			2.7	1.60	71	26	18.85	2.7	1.50	81	23	16.48	2.6	1.60	86	20	15.45	2.6	1.65	98	18	13.63	2.5	1.70	110	16	12.08	2.4	1.80	130	15	10.27	2.3	1.85	95	19	28.76	2.6	1.70	GS39 GSF39 GSA39 GSAF39	2P	6.6	275	201.00	6.7	0.95			GS59 GSF59 GSA59 GSAF59	4P	107	17	25.38					2.5	1.75	121					15			22.50	2.4					1.85					142					14					19.13					2.3			1.95	144	14			18.85	2.2	1.90	165	12	16.48	2.2	2.00	176	12	15.45	2.1	2.05	200	10	13.63	2.1	2.15	225	8	12.08	2.0	2.20	10	189	137.05	4.9	0.80	10	179	128.10	4.9	0.85	12	158	110.73	5.1	0.95	14	136	94.08	5.2	1.10	16	123	84.00	5.2	1.20	19	107	71.75	5.3	1.30	19	122	69.39	5.2	1.15	20	101	67.20	5.3	1.30	21	113	63.80	5.2	1.20	24	98	54.59	5.3	1.30	28	86	47.32	5.1	1.35	30	81	44.23	5.1	1.40	35	70	38.23	4.9	1.45	41	60	32.48	4.7	1.55	46	54	29.00	4.6	1.65	54	47	24.77	4.4	1.70	57	44	23.20	4.3	1.75	68	41	19.54	4.0	1.90	75	36	17.80	3.8	2.00	88	33	15.12	3.8	2.10	21	93	63.33	2.8	0.85	26	91	51.30	2.8	0.85	30	78	43.68	2.8	0.95	35	68	37.66	2.8	1.00	38	64	35.10	2.8	1.00	0.31	7586	4328	40	0.85	GS109R79 GSF109R79 GSA109R79 GSAF109R79	4P							0.65	2574	2054	24	1.00	GS89R59 GSF89R59 GSA89R59 GSAF89R59	4P								0.73	2286	1824	26	1.10			0.82			2043	1631	27	1.20	1.4	1206	930	28	1.70	1.6	1089	831	28	1.75	1.9	1179	714	11	1.00	GS79R39 GSF79R39 GSA79R39 GSAF79R39	4P								2.1	1053	637	12			1.15			2.3	954	574			13	1.25	2.7			819	499	14	1.35	3.0	720	438	14	1.50	3.4	639	389	15	1.60	3.6	563	365	7.3	0.85	GS69R39 GSF69R39 GSA69R39 GSAF69R39	4P							4.2	491	319	8.1			1.00			4.7	432	281	8.6	1.10	5.4	387	246	9.0	1.25	2.3	882	288.00	28	2.00	GS89 GSF89 GSA89 GSAF89	8P							2.6	801	258.18	28			2.10	3.0	698	222.40	28	2.25																																																								
59	30	22.50	2.8	1.45			70	29	19.13			2.7	1.60	71	26	18.85	2.7	1.50	81	23	16.48	2.6	1.60	86	20	15.45	2.6	1.65	98	18	13.63	2.5	1.70	110	16	12.08	2.4	1.80	130	15	10.27	2.3	1.85	95	19	28.76	2.6	1.70	GS39 GSF39 GSA39 GSAF39	2P	6.6	275	201.00	6.7	0.95			GS59 GSF59 GSA59 GSAF59	4P	107	17	25.38					2.5	1.75	121					15	22.50	2.4					1.85			142	14					19.13					2.3					1.95					144		14	18.85		2.2			1.90	165	12	16.48	2.2	2.00	176	12	15.45	2.1	2.05	200	10	13.63	2.1	2.15	225	8	12.08	2.0	2.20	10	189	137.05	4.9	0.80	10	179	128.10	4.9	0.85	12	158	110.73	5.1	0.95	14	136	94.08	5.2	1.10	16	123	84.00	5.2	1.20	19	107	71.75	5.3	1.30	19	122	69.39	5.2	1.15	20	101	67.20	5.3	1.30	21	113	63.80	5.2	1.20	24	98	54.59	5.3	1.30	28	86	47.32	5.1	1.35	30	81	44.23	5.1	1.40	35	70	38.23	4.9	1.45	41	60	32.48	4.7	1.55	46	54	29.00	4.6	1.65	54	47	24.77	4.4	1.70	57	44	23.20	4.3	1.75	68	41	19.54	4.0	1.90	75	36	17.80	3.8	2.00	88	33	15.12	3.8	2.10	21	93	63.33	2.8	0.85	26	91	51.30	2.8	0.85	30	78	43.68	2.8	0.95	35	68	37.66	2.8	1.00	38	64	35.10	2.8	1.00	0.31	7586	4328	40	0.85	GS109R79 GSF109R79 GSA109R79 GSAF109R79	4P							0.65	2574	2054	24	1.00	GS89R59 GSF89R59 GSA89R59 GSAF89R59	4P								0.73	2286	1824	26	1.10			0.82	2043	1631	27	1.20			1.4	1206	930	28	1.70	1.6	1089	831	28	1.75	1.9	1179	714	11	1.00	GS79R39 GSF79R39 GSA79R39 GSAF79R39	4P								2.1	1053	637	12	1.15			2.3	954	574	13			1.25			2.7	819	499			14	1.35	3.0	720	438	14	1.50	3.4	639	389	15	1.60	3.6	563	365	7.3	0.85	GS69R39 GSF69R39 GSA69R39 GSAF69R39	4P								4.2	491	319	8.1			1.00	4.7	432	281			8.6	1.10	5.4	387	246	9.0	1.25	2.3	882	288.00	28	2.00	GS89 GSF89 GSA89 GSAF89	8P							2.6	801	258.18	28			2.10	3.0	698	222.40	28	2.25																																																														
70	29	19.13	2.7	1.60			71	26	18.85	2.7	1.50	81	23	16.48	2.6	1.60	86	20	15.45	2.6	1.65	98	18	13.63	2.5	1.70	110	16	12.08	2.4	1.80	130	15	10.27	2.3	1.85	95	19	28.76	2.6	1.70	GS39 GSF39 GSA39 GSAF39	2P	6.6	275	201.00	6.7	0.95			GS59 GSF59 GSA59 GSAF59	4P	107	17	25.38					2.5	1.75	121					15	22.50	2.4					1.85	142	14					19.13			2.3	1.95					144					14					18.85		2.2	1.90		165		12	16.48		2.2	2.00	176	12	15.45	2.1	2.05	200	10	13.63	2.1	2.15	225	8	12.08	2.0	2.20	10	189	137.05	4.9	0.80	10	179	128.10	4.9	0.85	12	158	110.73	5.1	0.95	14	136	94.08	5.2	1.10	16	123	84.00	5.2	1.20	19	107	71.75	5.3	1.30	19	122	69.39	5.2	1.15	20	101	67.20	5.3	1.30	21	113	63.80	5.2	1.20	24	98	54.59	5.3	1.30	28	86	47.32	5.1	1.35	30	81	44.23	5.1	1.40	35	70	38.23	4.9	1.45	41	60	32.48	4.7	1.55	46	54	29.00	4.6	1.65	54	47	24.77	4.4	1.70	57	44	23.20	4.3	1.75	68	41	19.54	4.0	1.90	75	36	17.80	3.8	2.00	88	33	15.12	3.8	2.10	21	93	63.33	2.8	0.85	26	91	51.30	2.8	0.85	30	78	43.68	2.8	0.95	35	68	37.66	2.8	1.00	38	64	35.10	2.8	1.00	0.31	7586	4328	40	0.85	GS109R79 GSF109R79 GSA109R79 GSAF109R79	4P							0.65	2574	2054	24	1.00	GS89R59 GSF89R59 GSA89R59 GSAF89R59	4P								0.73	2286	1824	26	1.10			0.82	2043	1631	27	1.20			1.4	1206	930	28	1.70	1.6	1089	831	28	1.75	1.9	1179	714	11	1.00	GS79R39 GSF79R39 GSA79R39 GSAF79R39	4P								2.1	1053	637	12	1.15			2.3	954	574	13	1.25			2.7	819	499	14			1.35			3.0	720	438	14	1.50	3.4	639	389	15	1.60	3.6	563	365	7.3	0.85	GS69R39 GSF69R39 GSA69R39 GSAF69R39	4P								4.2	491	319	8.1	1.00			4.7	432	281	8.6			1.10	5.4	387	246	9.0	1.25	2.3	882	288.00	28	2.00	GS89 GSF89 GSA89 GSAF89	8P								2.6	801	258.18	28			2.10	3.0	698	222.40	28	2.25																																																																				
71	26	18.85	2.7	1.50	81	23	16.48	2.6	1.60	86	20	15.45	2.6	1.65	98	18	13.63	2.5	1.70	110	16	12.08	2.4	1.80	130	15	10.27	2.3	1.85	95	19	28.76	2.6	1.70	GS39 GSF39 GSA39 GSAF39	2P	6.6	275	201.00	6.7	0.95			GS59 GSF59 GSA59 GSAF59	4P	107	17	25.38					2.5	1.75	121					15	22.50	2.4					1.85	142	14					19.13	2.3	1.95					144			14	18.85					2.2					1.90		165	12		16.48		2.2	2.00		176	12	15.45	2.1	2.05	200	10	13.63	2.1	2.15	225	8	12.08	2.0	2.20	10	189	137.05	4.9	0.80	10	179	128.10	4.9	0.85	12	158	110.73	5.1	0.95	14	136	94.08	5.2	1.10	16	123	84.00	5.2	1.20	19	107	71.75	5.3	1.30	19	122	69.39	5.2	1.15	20	101	67.20	5.3	1.30	21	113	63.80	5.2	1.20	24	98	54.59	5.3	1.30	28	86	47.32	5.1	1.35	30	81	44.23	5.1	1.40	35	70	38.23	4.9	1.45	41	60	32.48	4.7	1.55	46	54	29.00	4.6	1.65	54	47	24.77	4.4	1.70	57	44	23.20	4.3	1.75	68	41	19.54	4.0	1.90	75	36	17.80	3.8	2.00	88	33	15.12	3.8	2.10	21	93	63.33	2.8	0.85	26	91	51.30	2.8	0.85	30	78	43.68	2.8	0.95	35	68	37.66	2.8	1.00	38	64	35.10	2.8	1.00	0.31	7586	4328	40	0.85	GS109R79 GSF109R79 GSA109R79 GSAF109R79	4P							0.65	2574	2054	24	1.00	GS89R59 GSF89R59 GSA89R59 GSAF89R59	4P								0.73	2286	1824	26	1.10			0.82	2043	1631	27	1.20			1.4	1206	930	28	1.70	1.6	1089	831	28	1.75	1.9	1179	714	11	1.00	GS79R39 GSF79R39 GSA79R39 GSAF79R39	4P								2.1	1053	637	12	1.15			2.3	954	574	13	1.25			2.7	819	499	14	1.35			3.0	720	438	14			1.50	3.4	639	389	15	1.60	3.6	563	365	7.3	0.85	GS69R39 GSF69R39 GSA69R39 GSAF69R39	4P								4.2	491	319	8.1	1.00			4.7	432	281	8.6	1.10			5.4	387	246	9.0	1.25	2.3	882	288.00	28	2.00	GS89 GSF89 GSA89 GSAF89	8P								2.6	801	258.18	28	2.10			3.0	698	222.40	28	2.25																																																																											
81	23	16.48	2.6	1.60	86	20	15.45	2.6	1.65	98	18	13.63	2.5	1.70	110	16	12.08	2.4	1.80	130	15	10.27	2.3	1.85	95	19	28.76	2.6	1.70	GS39 GSF39 GSA39 GSAF39	2P	6.6	275	201.00			6.7	0.95	GS59 GSF59 GSA59 GSAF59	4P	107					17	25.38	2.5					1.75	121	15					22.50	2.4	1.85					142	14	19.13					2.3	1.95	144					14			18.85	2.2					1.90		165	12		16.48		2.2	2.00		176	12	15.45	2.1	2.05	200	10	13.63	2.1	2.15	225	8	12.08	2.0	2.20	10	189	137.05	4.9	0.80	10	179	128.10	4.9	0.85	12	158	110.73	5.1	0.95	14	136	94.08	5.2	1.10	16	123	84.00	5.2	1.20	19	107	71.75	5.3	1.30	19	122	69.39	5.2	1.15	20	101	67.20	5.3	1.30	21	113	63.80	5.2	1.20	24	98	54.59	5.3	1.30	28	86	47.32	5.1	1.35	30	81	44.23	5.1	1.40	35	70	38.23	4.9	1.45	41	60	32.48	4.7	1.55	46	54	29.00	4.6	1.65	54	47	24.77	4.4	1.70	57	44	23.20	4.3	1.75	68	41	19.54	4.0	1.90	75	36	17.80	3.8	2.00	88	33	15.12	3.8	2.10	21	93	63.33	2.8	0.85	26	91	51.30	2.8	0.85	30	78	43.68	2.8	0.95	35	68	37.66	2.8	1.00	38	64	35.10	2.8	1.00	0.31	7586	4328	40	0.85	GS109R79 GSF109R79 GSA109R79 GSAF109R79	4P							0.65	2574	2054	24	1.00	GS89R59 GSF89R59 GSA89R59 GSAF89R59	4P							0.73	2286	1824	26			1.10	0.82	2043	1631	27			1.20	1.4	1206	930	28	1.70	1.6	1089	831	28	1.75	1.9	1179	714	11	1.00	GS79R39 GSF79R39 GSA79R39 GSAF79R39	4P							2.1	1053	637	12	1.15			2.3	954	574	13	1.25			2.7	819	499	14	1.35			3.0	720	438	14	1.50			3.4	639	389	15	1.60	3.6	563	365	7.3	0.85	GS69R39 GSF69R39 GSA69R39 GSAF69R39	4P								4.2	491	319	8.1	1.00			4.7	432	281	8.6	1.10			5.4	387	246	9.0	1.25	2.3	882	288.00	28	2.00	GS89 GSF89 GSA89 GSAF89	8P								2.6	801	258.18	28	2.10			3.0	698	222.40	28	2.25																																																																																		
86	20	15.45	2.6	1.65	98	18	13.63	2.5	1.70	110	16	12.08	2.4	1.80	130	15	10.27	2.3	1.85	95	19	28.76	2.6	1.70	GS39 GSF39 GSA39 GSAF39	2P	6.6	275	201.00			6.7	0.95	GS59 GSF59 GSA59 GSAF59			4P	107			17					25.38	2.5	1.75					121	15	22.50					2.4	1.85	142					14	19.13	2.3					1.95	144	14					18.85			2.2	1.90		165	12		16.48		2.2	2.00		176	12	15.45	2.1	2.05	200	10	13.63	2.1	2.15	225	8	12.08	2.0	2.20	10	189	137.05	4.9	0.80	10	179	128.10	4.9	0.85	12	158	110.73	5.1	0.95	14	136	94.08	5.2	1.10	16	123	84.00	5.2	1.20	19	107	71.75	5.3	1.30	19	122	69.39	5.2	1.15	20	101	67.20	5.3	1.30	21	113	63.80	5.2	1.20	24	98	54.59	5.3	1.30	28	86	47.32	5.1	1.35	30	81	44.23	5.1	1.40	35	70	38.23	4.9	1.45	41	60	32.48	4.7	1.55	46	54	29.00	4.6	1.65	54	47	24.77	4.4	1.70	57	44	23.20	4.3	1.75	68	41	19.54	4.0	1.90	75	36	17.80	3.8	2.00	88	33	15.12	3.8	2.10	21	93	63.33	2.8	0.85	26	91	51.30	2.8	0.85	30	78	43.68	2.8	0.95	35	68	37.66	2.8	1.00	38	64	35.10	2.8	1.00	0.31	7586	4328	40	0.85	GS109R79 GSF109R79 GSA109R79 GSAF109R79	4P							0.65	2574	2054	24	1.00	GS89R59 GSF89R59 GSA89R59 GSAF89R59	4P							0.73	2286			1824	26	1.10	0.82	2043			1631	27	1.20	1.4	1206	930	28	1.70	1.6	1089	831	28	1.75	1.9	1179	714	11	1.00	GS79R39 GSF79R39 GSA79R39 GSAF79R39	4P							2.1	1053	637			12	1.15	2.3	954	574			13	1.25	2.7	819	499			14	1.35	3.0	720	438			14	1.50	3.4	639	389	15	1.60	3.6	563	365	7.3	0.85	GS69R39 GSF69R39 GSA69R39 GSAF69R39	4P							4.2	491	319	8.1			1.00	4.7	432	281	8.6			1.10	5.4	387	246	9.0	1.25	2.3	882	288.00	28	2.00	GS89 GSF89 GSA89 GSAF89	8P							2.6	801	258.18	28	2.10			3.0	698	222.40	28	2.25																																																																																									
98	18	13.63	2.5	1.70	110	16	12.08	2.4	1.80	130	15	10.27	2.3	1.85	95	19	28.76	2.6	1.70	GS39 GSF39 GSA39 GSAF39	2P	6.6	275	201.00			6.7	0.95	GS59 GSF59 GSA59 GSAF59			4P	107					17			25.38					2.5	1.75	121					15	22.50	2.4					1.85	142	14					19.13	2.3	1.95					144	14	18.85					2.2	1.90	165	12	16.48		2.2	2.00		176	12	15.45	2.1	2.05	200	10	13.63	2.1	2.15	225	8	12.08	2.0	2.20	10	189	137.05	4.9	0.80	10	179	128.10	4.9	0.85	12	158	110.73	5.1	0.95	14	136	94.08	5.2	1.10	16	123	84.00	5.2	1.20	19	107	71.75	5.3	1.30	19	122	69.39	5.2	1.15	20	101	67.20	5.3	1.30	21	113	63.80	5.2	1.20	24	98	54.59	5.3	1.30	28	86	47.32	5.1	1.35	30	81	44.23	5.1	1.40	35	70	38.23	4.9	1.45	41	60	32.48	4.7	1.55	46	54	29.00	4.6	1.65	54	47	24.77	4.4	1.70	57	44	23.20	4.3	1.75	68	41	19.54	4.0	1.90	75	36	17.80	3.8	2.00	88	33	15.12	3.8	2.10	21	93	63.33	2.8	0.85	26	91	51.30	2.8	0.85	30	78	43.68	2.8	0.95	35	68	37.66	2.8	1.00	38	64	35.10	2.8	1.00	0.31	7586	4328	40	0.85	GS109R79 GSF109R79 GSA109R79 GSAF109R79	4P							0.65	2574	2054	24	1.00	GS89R59 GSF89R59 GSA89R59 GSAF89R59	4P							0.73	2286			1824	26	1.10			0.82	2043	1631	27	1.20	1.4	1206	930	28	1.70	1.6	1089	831	28	1.75	1.9	1179	714	11	1.00	GS79R39 GSF79R39 GSA79R39 GSAF79R39	4P							2.1	1053			637	12	1.15	2.3			954	574	13	1.25	2.7			819	499	14	1.35	3.0			720	438	14	1.50	3.4	639	389	15	1.60	3.6	563	365	7.3	0.85	GS69R39 GSF69R39 GSA69R39 GSAF69R39	4P							4.2	491			319	8.1	1.00	4.7	432			281	8.6	1.10	5.4	387	246	9.0	1.25	2.3	882	288.00	28	2.00	GS89 GSF89 GSA89 GSAF89	8P							2.6	801	258.18			28	2.10	3.0	698	222.40	28	2.25																																																																																														
110	16	12.08	2.4	1.80	130	15	10.27	2.3	1.85	95	19	28.76	2.6	1.70	GS39 GSF39 GSA39 GSAF39	2P	6.6	275	201.00			6.7	0.95	GS59 GSF59 GSA59 GSAF59			4P	107					17					25.38			2.5					1.75	121	15					22.50	2.4	1.85					142	14	19.13					2.3	1.95	144					14	18.85	2.2	1.90	165			12	16.48	2.2	2.00	176	12	15.45	2.1	2.05	200	10	13.63	2.1	2.15	225	8	12.08	2.0	2.20	10	189	137.05	4.9	0.80	10	179	128.10	4.9	0.85	12	158	110.73	5.1	0.95	14	136	94.08	5.2	1.10	16	123	84.00	5.2	1.20	19	107	71.75	5.3	1.30	19	122	69.39	5.2	1.15	20	101	67.20	5.3	1.30	21	113	63.80	5.2	1.20	24	98	54.59	5.3	1.30	28	86	47.32	5.1	1.35	30	81	44.23	5.1	1.40	35	70	38.23	4.9	1.45	41	60	32.48	4.7	1.55	46	54	29.00	4.6	1.65	54	47	24.77	4.4	1.70	57	44	23.20	4.3	1.75	68	41	19.54	4.0	1.90	75	36	17.80	3.8	2.00	88	33	15.12	3.8	2.10	21	93	63.33	2.8	0.85	26	91	51.30	2.8	0.85	30	78	43.68	2.8	0.95	35	68	37.66	2.8	1.00	38	64	35.10	2.8	1.00	0.31	7586	4328	40	0.85	GS109R79 GSF109R79 GSA109R79 GSAF109R79	4P							0.65	2574	2054	24	1.00	GS89R59 GSF89R59 GSA89R59 GSAF89R59	4P							0.73	2286			1824	26	1.10			0.82	2043	1631	27	1.20	1.4	1206	930	28	1.70	1.6	1089	831	28	1.75	1.9	1179	714	11	1.00	GS79R39 GSF79R39 GSA79R39 GSAF79R39	4P							2.1	1053			637	12	1.15			2.3	954	574	13			1.25	2.7	819	499	14			1.35	3.0	720	438	14	1.50	3.4	639	389	15	1.60	3.6	563	365	7.3	0.85	GS69R39 GSF69R39 GSA69R39 GSAF69R39	4P							4.2	491			319	8.1	1.00			4.7	432	281	8.6	1.10	5.4	387	246	9.0	1.25	2.3	882	288.00	28	2.00	GS89 GSF89 GSA89 GSAF89	8P							2.6	801			258.18	28	2.10	3.0	698	222.40	28	2.25																																																																																																			
130	15	10.27	2.3	1.85	95	19	28.76	2.6	1.70	GS39 GSF39 GSA39 GSAF39	2P	6.6	275	201.00			6.7	0.95	GS59 GSF59 GSA59 GSAF59			4P	107					17					25.38					2.5			1.75					121	15	22.50					2.4	1.85	142					14	19.13	2.3					1.95	144	14	18.85	2.2			1.90	165	12	16.48	2.2	2.00	176	12	15.45	2.1	2.05	200	10	13.63	2.1	2.15	225	8	12.08	2.0	2.20	10	189	137.05	4.9	0.80	10	179	128.10	4.9	0.85	12	158	110.73	5.1	0.95	14	136	94.08	5.2	1.10	16	123	84.00	5.2	1.20	19	107	71.75	5.3	1.30	19	122	69.39	5.2	1.15	20	101	67.20	5.3	1.30	21	113	63.80	5.2	1.20	24	98	54.59	5.3	1.30	28	86	47.32	5.1	1.35	30	81	44.23	5.1	1.40	35	70	38.23	4.9	1.45	41	60	32.48	4.7	1.55	46	54	29.00	4.6	1.65	54	47	24.77	4.4	1.70	57	44	23.20	4.3	1.75	68	41	19.54	4.0	1.90	75	36	17.80	3.8	2.00	88	33	15.12	3.8	2.10	21	93	63.33	2.8	0.85	26	91	51.30	2.8	0.85	30	78	43.68	2.8	0.95	35	68	37.66	2.8	1.00	38	64	35.10	2.8	1.00	0.31	7586	4328	40	0.85	GS109R79 GSF109R79 GSA109R79 GSAF109R79	4P							0.65	2574	2054	24	1.00	GS89R59 GSF89R59 GSA89R59 GSAF89R59	4P							0.73	2286			1824	26	1.10			0.82	2043	1631	27	1.20	1.4	1206	930	28	1.70	1.6	1089	831	28	1.75	1.9	1179	714	11	1.00	GS79R39 GSF79R39 GSA79R39 GSAF79R39	4P							2.1	1053			637	12	1.15			2.3	954	574			13	1.25	2.7	819			499	14	1.35	3.0	720	438	14	1.50	3.4	639	389	15	1.60	3.6	563	365	7.3	0.85	GS69R39 GSF69R39 GSA69R39 GSAF69R39	4P							4.2	491			319	8.1	1.00			4.7	432	281	8.6	1.10	5.4	387	246	9.0	1.25	2.3	882	288.00	28	2.00	GS89 GSF89 GSA89 GSAF89	8P							2.6	801			258.18	28	2.10	3.0	698	222.40	28	2.25																																																																																																								
95	19	28.76	2.6	1.70	GS39 GSF39 GSA39 GSAF39	2P	6.6	275	201.00			6.7	0.95	GS59 GSF59 GSA59 GSAF59			4P																																																																																																																																																																																																																																																																																																																																																																																																																																																																											
107	17	25.38	2.5	1.75			121	15	22.50			2.4	1.85					142					14					19.13					2.3					1.95			144					14	18.85	2.2					1.90	165	12	16.48	2.2			2.00	176	12	15.45	2.1	2.05	200	10	13.63	2.1	2.15	225	8	12.08	2.0	2.20	10	189	137.05	4.9	0.80	10	179	128.10	4.9	0.85	12	158	110.73	5.1	0.95	14	136	94.08	5.2	1.10	16	123	84.00	5.2	1.20	19	107	71.75	5.3	1.30	19	122	69.39	5.2	1.15	20	101	67.20	5.3	1.30	21	113	63.80	5.2	1.20	24	98	54.59	5.3	1.30	28	86	47.32	5.1	1.35	30	81	44.23	5.1	1.40	35	70	38.23	4.9	1.45	41	60	32.48	4.7	1.55	46	54	29.00	4.6	1.65	54	47	24.77	4.4	1.70	57	44	23.20	4.3	1.75	68	41	19.54	4.0	1.90	75	36	17.80	3.8	2.00	88	33	15.12	3.8	2.10	21	93	63.33	2.8	0.85	26	91	51.30	2.8	0.85	30	78	43.68	2.8	0.95	35	68	37.66	2.8	1.00	38	64	35.10	2.8	1.00	0.31	7586	4328	40	0.85	GS109R79 GSF109R79 GSA109R79 GSAF109R79	4P							0.65	2574	2054	24	1.00	GS89R59 GSF89R59 GSA89R59 GSAF89R59	4P							0.73	2286	1824	26	1.10	0.82	2043	1631	27	1.20	1.4			1206	930	28			1.70	1.6	1089	831	28	1.75	1.9	1179	714	11	1.00	GS79R39 GSF79R39 GSA79R39 GSAF79R39	4P							2.1	1053	637	12	1.15	2.3	954	574	13	1.25	2.7			819	499	14			1.35	3.0	720			438	14	1.50			3.4	639	389	15	1.60	3.6	563	365	7.3	0.85	GS69R39 GSF69R39 GSA69R39 GSAF69R39	4P							4.2	491	319	8.1	1.00	4.7	432	281	8.6	1.10	5.4			387	246	9.0			1.25	2.3	882	288.00	28	2.00	GS89 GSF89 GSA89 GSAF89	8P							2.6	801	258.18	28	2.10	3.0	698	222.40	28	2.25																																																																																																																													
121	15	22.50	2.4	1.85			142	14	19.13			2.3	1.95					144					14					18.85					2.2					1.90			165					12	16.48	2.2	2.00	176			12	15.45	2.1	2.05	200	10	13.63	2.1	2.15	225	8	12.08	2.0	2.20	10	189	137.05	4.9	0.80	10	179	128.10	4.9	0.85	12	158	110.73	5.1	0.95	14	136	94.08	5.2	1.10	16	123	84.00	5.2	1.20	19	107	71.75	5.3	1.30	19	122	69.39	5.2	1.15	20	101	67.20	5.3	1.30	21	113	63.80	5.2	1.20	24	98	54.59	5.3	1.30	28	86	47.32	5.1	1.35	30	81	44.23	5.1	1.40	35	70	38.23	4.9	1.45	41	60	32.48	4.7	1.55	46	54	29.00	4.6	1.65	54	47	24.77	4.4	1.70	57	44	23.20	4.3	1.75	68	41	19.54	4.0	1.90	75	36	17.80	3.8	2.00	88	33	15.12	3.8	2.10	21	93	63.33	2.8	0.85	26	91	51.30	2.8	0.85	30	78	43.68	2.8	0.95	35	68	37.66	2.8	1.00	38	64	35.10	2.8	1.00	0.31	7586	4328	40	0.85	GS109R79 GSF109R79 GSA109R79 GSAF109R79	4P							0.65	2574	2054	24	1.00	GS89R59 GSF89R59 GSA89R59 GSAF89R59	4P							0.73			2286	1824	26	1.10	0.82	2043	1631	27	1.20	1.4	1206	930	28	1.70	1.6	1089	831			28	1.75	1.9	1179	714	11	1.00	GS79R39 GSF79R39 GSA79R39 GSAF79R39	4P							2.1			1053	637	12	1.15	2.3	954	574	13	1.25	2.7	819	499	14	1.35	3.0	720	438			14	1.50	3.4			639	389	15			1.60	3.6	563	365	7.3	0.85	GS69R39 GSF69R39 GSA69R39 GSAF69R39	4P							4.2			491	319	8.1	1.00	4.7	432	281	8.6	1.10	5.4	387	246	9.0	1.25	2.3	882	288.00			28	2.00	GS89 GSF89 GSA89 GSAF89	8P							2.6			801	258.18	28	2.10	3.0	698	222.40	28	2.25																																																																																																																																				
142	14	19.13	2.3	1.95			144	14	18.85			2.2	1.90					165					12					16.48					2.2					2.00			176	12	15.45			2.1	2.05	200	10	13.63	2.1	2.15	225	8	12.08	2.0	2.20	10	189	137.05	4.9	0.80	10	179	128.10	4.9	0.85	12	158	110.73	5.1	0.95	14	136	94.08	5.2	1.10	16	123	84.00	5.2	1.20	19	107	71.75	5.3	1.30	19	122	69.39	5.2	1.15	20	101	67.20	5.3	1.30	21	113	63.80	5.2	1.20	24	98	54.59	5.3	1.30	28	86	47.32	5.1	1.35	30	81	44.23	5.1	1.40	35	70	38.23	4.9	1.45	41	60	32.48	4.7	1.55	46	54	29.00	4.6	1.65	54	47	24.77	4.4	1.70	57	44	23.20	4.3	1.75	68	41	19.54	4.0	1.90	75	36	17.80	3.8	2.00	88	33	15.12	3.8	2.10	21	93	63.33	2.8	0.85	26	91	51.30	2.8	0.85	30	78	43.68	2.8	0.95	35	68	37.66	2.8	1.00	38	64	35.10	2.8	1.00	0.31	7586	4328	40	0.85	GS109R79 GSF109R79 GSA109R79 GSAF109R79	4P							0.65	2574	2054	24	1.00	GS89R59 GSF89R59 GSA89R59 GSAF89R59	4P							0.73			2286	1824	26	1.10	0.82	2043	1631			27	1.20	1.4	1206	930	28	1.70	1.6	1089	831	28	1.75	1.9	1179	714	11	1.00	GS79R39 GSF79R39 GSA79R39 GSAF79R39	4P							2.1			1053	637	12	1.15	2.3	954	574			13	1.25	2.7	819	499	14	1.35	3.0	720	438	14	1.50	3.4	639	389	15	1.60			3.6	563	365			7.3	0.85	GS69R39 GSF69R39 GSA69R39 GSAF69R39	4P							4.2			491	319	8.1	1.00	4.7	432	281			8.6	1.10	5.4	387	246	9.0	1.25	2.3	882	288.00	28	2.00	GS89 GSF89 GSA89 GSAF89	8P							2.6			801	258.18	28	2.10	3.0	698	222.40			28	2.25																																																																																																																																											
144	14	18.85	2.2	1.90			165	12	16.48			2.2	2.00					176					12					15.45					2.1		2.05	200		10			13.63	2.1	2.15	225	8	12.08	2.0	2.20	10	189	137.05	4.9	0.80	10	179	128.10	4.9	0.85	12	158	110.73	5.1	0.95	14	136	94.08	5.2	1.10	16	123	84.00	5.2	1.20	19	107	71.75	5.3	1.30	19	122	69.39	5.2	1.15	20	101	67.20	5.3	1.30	21	113	63.80	5.2	1.20	24	98	54.59	5.3	1.30	28	86	47.32	5.1	1.35	30	81	44.23	5.1	1.40	35	70	38.23	4.9	1.45	41	60	32.48	4.7	1.55	46	54	29.00	4.6	1.65	54	47	24.77	4.4	1.70	57	44	23.20	4.3	1.75	68	41	19.54	4.0	1.90	75	36	17.80	3.8	2.00	88	33	15.12	3.8	2.10	21	93	63.33	2.8	0.85	26	91	51.30	2.8	0.85	30	78	43.68	2.8	0.95	35	68	37.66	2.8	1.00	38	64	35.10	2.8	1.00	0.31	7586	4328	40	0.85	GS109R79 GSF109R79 GSA109R79 GSAF109R79	4P							0.65	2574	2054	24	1.00	GS89R59 GSF89R59 GSA89R59 GSAF89R59	4P							0.73			2286	1824	26	1.10	0.82	2043	1631			27	1.20	1.4	1206	930	28	1.70			1.6	1089	831	28	1.75	1.9	1179	714	11	1.00	GS79R39 GSF79R39 GSA79R39 GSAF79R39	4P								2.1	1053	637	12	1.15	2.3	954			574	13	1.25	2.7	819	499	14			1.35	3.0	720	438	14	1.50	3.4	639	389	15	1.60	3.6	563	365	7.3	0.85	GS69R39 GSF69R39 GSA69R39 GSAF69R39			4P									4.2	491	319	8.1	1.00	4.7	432			281	8.6	1.10	5.4	387	246	9.0			1.25	2.3	882	288.00	28	2.00	GS89 GSF89 GSA89 GSAF89	8P							2.6	801	258.18	28	2.10	3.0	698			222.40	28	2.25																																																																																																																																																			
165	12	16.48	2.2	2.00			176	12	15.45			2.1	2.05					200					10					13.63		2.1	2.15		225		8	12.08		2.0	2.20	10	189	137.05	4.9	0.80	10	179	128.10	4.9	0.85	12	158	110.73	5.1	0.95	14	136	94.08	5.2	1.10	16	123	84.00	5.2	1.20	19	107	71.75	5.3	1.30	19	122	69.39	5.2	1.15	20	101	67.20	5.3	1.30	21	113	63.80	5.2	1.20	24	98	54.59	5.3	1.30	28	86	47.32	5.1	1.35	30	81	44.23	5.1	1.40	35	70	38.23	4.9	1.45	41	60	32.48	4.7	1.55	46	54	29.00	4.6	1.65	54	47	24.77	4.4	1.70	57	44	23.20	4.3	1.75	68	41	19.54	4.0	1.90	75	36	17.80	3.8	2.00	88	33	15.12	3.8	2.10	21	93	63.33	2.8	0.85	26	91	51.30	2.8	0.85	30	78	43.68	2.8	0.95	35	68	37.66	2.8	1.00	38	64	35.10	2.8	1.00	0.31	7586	4328	40	0.85	GS109R79 GSF109R79 GSA109R79 GSAF109R79	4P							0.65	2574	2054	24	1.00	GS89R59 GSF89R59 GSA89R59 GSAF89R59	4P							0.73			2286	1824	26	1.10	0.82	2043	1631			27	1.20	1.4	1206	930	28	1.70			1.6	1089	831	28	1.75	1.9	1179	714	11	1.00	GS79R39 GSF79R39 GSA79R39 GSAF79R39	4P							2.1			1053	637	12	1.15	2.3			954	574	13	1.25	2.7	819	499			14	1.35	3.0	720	438	14	1.50			3.4	639	389	15	1.60	3.6	563	365	7.3	0.85	GS69R39 GSF69R39 GSA69R39 GSAF69R39	4P							4.2		491	319	8.1	1.00	4.7	432			281	8.6	1.10	5.4	387	246	9.0			1.25	2.3	882	288.00	28	2.00	GS89 GSF89 GSA89 GSAF89	8P							2.6			801	258.18	28	2.10			3.0	698	222.40	28	2.25																																																																																																																																																										
176	12	15.45	2.1	2.05			200	10	13.63			2.1	2.15					225					8		12.08	2.0		2.20		10	189		137.05	4.9	0.80	10	179	128.10	4.9	0.85	12	158	110.73	5.1	0.95	14	136	94.08	5.2	1.10	16	123	84.00	5.2	1.20	19	107	71.75	5.3	1.30	19	122	69.39	5.2	1.15	20	101	67.20	5.3	1.30	21	113	63.80	5.2	1.20	24	98	54.59	5.3	1.30	28	86	47.32	5.1	1.35	30	81	44.23	5.1	1.40	35	70	38.23	4.9	1.45	41	60	32.48	4.7	1.55	46	54	29.00	4.6	1.65	54	47	24.77	4.4	1.70	57	44	23.20	4.3	1.75	68	41	19.54	4.0	1.90	75	36	17.80	3.8	2.00	88	33	15.12	3.8	2.10	21	93	63.33	2.8	0.85	26	91	51.30	2.8	0.85	30	78	43.68	2.8	0.95	35	68	37.66	2.8	1.00	38	64	35.10	2.8	1.00	0.31	7586	4328	40	0.85	GS109R79 GSF109R79 GSA109R79 GSAF109R79	4P							0.65	2574	2054	24	1.00	GS89R59 GSF89R59 GSA89R59 GSAF89R59	4P							0.73			2286	1824	26	1.10	0.82	2043	1631			27	1.20	1.4	1206	930	28	1.70			1.6	1089	831	28	1.75	1.9	1179	714	11	1.00	GS79R39 GSF79R39 GSA79R39 GSAF79R39	4P							2.1			1053	637	12	1.15	2.3	954	574			13	1.25	2.7	819	499			14	1.35	3.0	720	438	14	1.50			3.4	639	389	15	1.60	3.6	563			365	7.3	0.85	GS69R39 GSF69R39 GSA69R39 GSAF69R39	4P								4.2	491	319	8.1		1.00	4.7		432	281	8.6	1.10	5.4	387			246	9.0	1.25	2.3	882	288.00	28	2.00	GS89 GSF89 GSA89 GSAF89	8P								2.6	801	258.18	28	2.10	3.0	698			222.40	28	2.25																																																																																																																																																																		
200	10	13.63	2.1	2.15			225	8	12.08			2.0	2.20					10		189	137.05		4.9		0.80	10		179	128.10	4.9	0.85	12	158	110.73	5.1	0.95	14	136	94.08	5.2	1.10	16	123	84.00	5.2	1.20	19	107	71.75	5.3	1.30	19	122	69.39	5.2	1.15	20	101	67.20	5.3	1.30	21	113	63.80	5.2	1.20	24	98	54.59	5.3	1.30	28	86	47.32	5.1	1.35	30	81	44.23	5.1	1.40	35	70	38.23	4.9	1.45	41	60	32.48	4.7	1.55	46	54	29.00	4.6	1.65	54	47	24.77	4.4	1.70	57	44	23.20	4.3	1.75	68	41	19.54	4.0	1.90	75	36	17.80	3.8	2.00	88	33	15.12	3.8	2.10	21	93	63.33	2.8	0.85	26	91	51.30	2.8	0.85	30	78	43.68	2.8	0.95	35	68	37.66	2.8	1.00	38	64	35.10	2.8	1.00	0.31	7586	4328	40	0.85	GS109R79 GSF109R79 GSA109R79 GSAF109R79	4P							0.65	2574	2054	24	1.00	GS89R59 GSF89R59 GSA89R59 GSAF89R59	4P							0.73			2286	1824	26	1.10	0.82	2043	1631			27	1.20	1.4	1206	930	28	1.70			1.6	1089	831	28	1.75	1.9	1179	714	11	1.00	GS79R39 GSF79R39 GSA79R39 GSAF79R39	4P							2.1			1053	637	12	1.15	2.3	954	574			13	1.25	2.7	819	499	14	1.35			3.0	720	438	14	1.50			3.4	639	389	15	1.60	3.6	563			365	7.3	0.85	GS69R39 GSF69R39 GSA69R39 GSAF69R39	4P							4.2			491	319	8.1	1.00	4.7			432	281	8.6	1.10		5.4	387		246	9.0	1.25	2.3	882	288.00	28	2.00	GS89 GSF89 GSA89 GSAF89	8P									2.6	801	258.18	28	2.10			3.0	698	222.40	28	2.25																																																																																																																																																																									
225	8	12.08	2.0	2.20			10	189	137.05			4.9	0.80		10	179		128.10		4.9	0.85		12	158	110.73	5.1	0.95	14	136	94.08	5.2	1.10	16	123	84.00	5.2	1.20	19	107	71.75	5.3	1.30	19	122	69.39	5.2	1.15	20	101	67.20	5.3	1.30	21	113	63.80	5.2	1.20	24	98	54.59	5.3	1.30	28	86	47.32	5.1	1.35	30	81	44.23	5.1	1.40	35	70	38.23	4.9	1.45	41	60	32.48	4.7	1.55	46	54	29.00	4.6	1.65	54	47	24.77	4.4	1.70	57	44	23.20	4.3	1.75	68	41	19.54	4.0	1.90	75	36	17.80	3.8	2.00	88	33	15.12	3.8	2.10	21	93	63.33	2.8	0.85	26	91	51.30	2.8	0.85	30	78	43.68	2.8	0.95	35	68	37.66	2.8	1.00	38	64	35.10	2.8	1.00	0.31	7586	4328	40	0.85	GS109R79 GSF109R79 GSA109R79 GSAF109R79	4P							0.65	2574	2054	24	1.00	GS89R59 GSF89R59 GSA89R59 GSAF89R59	4P							0.73			2286	1824	26	1.10	0.82	2043	1631			27	1.20	1.4	1206	930	28	1.70			1.6	1089	831	28	1.75	1.9	1179	714	11	1.00	GS79R39 GSF79R39 GSA79R39 GSAF79R39	4P							2.1			1053	637	12	1.15	2.3	954	574			13	1.25	2.7	819	499	14	1.35			3.0	720	438	14	1.50	3.4	639			389	15	1.60	3.6	563			365	7.3	0.85	GS69R39 GSF69R39 GSA69R39 GSAF69R39	4P							4.2			491	319	8.1	1.00	4.7	432	281			8.6	1.10	5.4	387	246			9.0	1.25	2.3	882	288.00	28	2.00	GS89 GSF89 GSA89 GSAF89	8P							2.6			801	258.18	28	2.10	3.0	698			222.40	28	2.25																																																																																																																																																																																		
10	189	137.05	4.9	0.80			10	179	128.10	4.9	0.85	12	158		110.73	5.1		0.95	14	136	94.08	5.2	1.10	16	123	84.00	5.2	1.20	19	107	71.75	5.3	1.30	19	122	69.39	5.2	1.15	20	101	67.20	5.3	1.30	21	113	63.80	5.2	1.20	24	98	54.59	5.3	1.30	28	86	47.32	5.1	1.35	30	81	44.23	5.1	1.40	35	70	38.23	4.9	1.45	41	60	32.48	4.7	1.55	46	54	29.00	4.6	1.65	54	47	24.77	4.4	1.70	57	44	23.20	4.3	1.75	68	41	19.54	4.0	1.90	75	36	17.80	3.8	2.00	88	33	15.12	3.8	2.10	21	93	63.33	2.8	0.85	26	91	51.30	2.8	0.85	30	78	43.68	2.8	0.95	35	68	37.66	2.8	1.00	38	64	35.10	2.8	1.00	0.31	7586	4328	40	0.85	GS109R79 GSF109R79 GSA109R79 GSAF109R79	4P							0.65	2574	2054	24	1.00	GS89R59 GSF89R59 GSA89R59 GSAF89R59	4P							0.73			2286	1824	26	1.10	0.82	2043	1631			27	1.20	1.4	1206	930	28	1.70			1.6	1089	831	28	1.75	1.9	1179	714	11	1.00	GS79R39 GSF79R39 GSA79R39 GSAF79R39	4P							2.1			1053	637	12	1.15	2.3	954	574			13	1.25	2.7	819	499	14	1.35			3.0	720	438	14	1.50	3.4	639			389	15	1.60	3.6	563	365	7.3			0.85	GS69R39 GSF69R39 GSA69R39 GSAF69R39	4P							4.2			491	319	8.1	1.00	4.7	432	281			8.6	1.10	5.4	387	246	9.0	1.25			2.3	882	288.00	28	2.00	GS89 GSF89 GSA89 GSAF89	8P							2.6			801	258.18	28	2.10	3.0	698	222.40			28	2.25																																																																																																																																																																																											
10	179	128.10	4.9	0.85	12	158	110.73	5.1	0.95	14	136	94.08	5.2	1.10	16	123	84.00	5.2	1.20	19	107	71.75	5.3	1.30	19	122	69.39	5.2	1.15	20	101	67.20	5.3	1.30	21	113	63.80	5.2	1.20	24	98	54.59	5.3	1.30	28	86	47.32	5.1	1.35	30	81	44.23	5.1	1.40	35	70	38.23	4.9	1.45	41	60	32.48	4.7	1.55	46	54	29.00	4.6	1.65	54	47	24.77	4.4	1.70	57	44	23.20	4.3	1.75	68	41	19.54	4.0	1.90	75	36	17.80	3.8	2.00	88	33	15.12	3.8	2.10	21	93	63.33	2.8	0.85	26	91	51.30	2.8	0.85	30	78	43.68	2.8	0.95	35	68	37.66	2.8	1.00	38	64	35.10	2.8	1.00	0.31	7586	4328	40	0.85	GS109R79 GSF109R79 GSA109R79 GSAF109R79	4P							0.65	2574	2054	24	1.00	GS89R59 GSF89R59 GSA89R59 GSAF89R59	4P							0.73			2286	1824	26	1.10	0.82	2043	1631			27	1.20	1.4	1206	930	28	1.70			1.6	1089	831	28	1.75	1.9	1179	714	11	1.00	GS79R39 GSF79R39 GSA79R39 GSAF79R39	4P							2.1			1053	637	12	1.15	2.3	954	574			13	1.25	2.7	819	499	14	1.35			3.0	720	438	14	1.50	3.4	639			389	15	1.60	3.6	563	365	7.3			0.85	GS69R39 GSF69R39 GSA69R39 GSAF69R39	4P							4.2			491	319	8.1	1.00	4.7	432	281			8.6	1.10	5.4	387	246	9.0	1.25			2.3	882	288.00	28	2.00	GS89 GSF89 GSA89 GSAF89	8P							2.6			801	258.18	28	2.10	3.0	698	222.40			28	2.25																																																																																																																																																																																																				
12	158	110.73	5.1	0.95	14	136	94.08	5.2	1.10	16	123	84.00	5.2	1.20	19	107	71.75	5.3	1.30	19	122	69.39	5.2	1.15	20	101	67.20	5.3	1.30	21	113	63.80	5.2	1.20	24	98	54.59	5.3	1.30	28	86	47.32	5.1	1.35	30	81	44.23	5.1	1.40	35	70	38.23	4.9	1.45	41	60	32.48	4.7	1.55	46	54	29.00	4.6	1.65	54	47	24.77	4.4	1.70	57	44	23.20	4.3	1.75	68	41	19.54	4.0	1.90	75	36	17.80	3.8	2.00	88	33	15.12	3.8	2.10	21	93	63.33	2.8	0.85	26	91	51.30	2.8	0.85	30	78	43.68	2.8	0.95	35	68	37.66	2.8	1.00	38	64	35.10	2.8	1.00	0.31	7586	4328	40	0.85	GS109R79 GSF109R79 GSA109R79 GSAF109R79	4P							0.65	2574	2054	24	1.00	GS89R59 GSF89R59 GSA89R59 GSAF89R59	4P							0.73	2286	1824	26	1.10	0.82			2043	1631	27	1.20	1.4	1206	930			28	1.70	1.6	1089	831	28	1.75	1.9	1179	714	11	1.00	GS79R39 GSF79R39 GSA79R39 GSAF79R39	4P								2.1	1053	637	12	1.15	2.3	954			574	13	1.25	2.7	819	499	14			1.35	3.0	720	438	14	1.50	3.4			639	389	15	1.60	3.6	563	365			7.3	0.85	GS69R39 GSF69R39 GSA69R39 GSAF69R39	4P									4.2	491	319	8.1	1.00	4.7	432			281	8.6	1.10	5.4	387	246	9.0			1.25	2.3	882	288.00	28	2.00	GS89 GSF89 GSA89 GSAF89	8P									2.6	801	258.18	28	2.10	3.0	698			222.40	28	2.25																																																																																																																																																																																																												
14	136	94.08	5.2	1.10	16	123	84.00	5.2	1.20	19	107	71.75	5.3	1.30	19	122	69.39	5.2	1.15	20	101	67.20	5.3	1.30	21	113	63.80	5.2	1.20	24	98	54.59	5.3	1.30	28	86	47.32	5.1	1.35	30	81	44.23	5.1	1.40	35	70	38.23	4.9	1.45	41	60	32.48	4.7	1.55	46	54	29.00	4.6	1.65	54	47	24.77	4.4	1.70	57	44	23.20	4.3	1.75	68	41	19.54	4.0	1.90	75	36	17.80	3.8	2.00	88	33	15.12	3.8	2.10	21	93	63.33	2.8	0.85	26	91	51.30	2.8	0.85	30	78	43.68	2.8	0.95	35	68	37.66	2.8	1.00	38	64	35.10	2.8	1.00	0.31	7586	4328	40	0.85	GS109R79 GSF109R79 GSA109R79 GSAF109R79	4P							0.65	2574	2054	24	1.00	GS89R59 GSF89R59 GSA89R59 GSAF89R59	4P							0.73	2286			1824	26	1.10	0.82	2043	1631	27			1.20	1.4	1206	930	28	1.70	1.6	1089	831	28	1.75	1.9	1179	714	11	1.00	GS79R39 GSF79R39 GSA79R39 GSAF79R39	4P							2.1	1053	637	12			1.15	2.3	954	574	13	1.25	2.7			819	499	14	1.35	3.0	720	438			14	1.50	3.4	639	389	15	1.60			3.6	563	365	7.3	0.85	GS69R39 GSF69R39 GSA69R39 GSAF69R39	4P							4.2	491	319	8.1	1.00	4.7			432	281	8.6	1.10	5.4	387	246			9.0	1.25	2.3	882	288.00	28	2.00	GS89 GSF89 GSA89 GSAF89	8P									2.6	801	258.18	28	2.10	3.0			698	222.40	28	2.25																																																																																																																																																																																																																				
16	123	84.00	5.2	1.20	19	107	71.75	5.3	1.30	19	122	69.39	5.2	1.15	20	101	67.20	5.3	1.30	21	113	63.80	5.2	1.20	24	98	54.59	5.3	1.30	28	86	47.32	5.1	1.35	30	81	44.23	5.1	1.40	35	70	38.23	4.9	1.45	41	60	32.48	4.7	1.55	46	54	29.00	4.6	1.65	54	47	24.77	4.4	1.70	57	44	23.20	4.3	1.75	68	41	19.54	4.0	1.90	75	36	17.80	3.8	2.00	88	33	15.12	3.8	2.10	21	93	63.33	2.8	0.85	26	91	51.30	2.8	0.85	30	78	43.68	2.8	0.95	35	68	37.66	2.8	1.00	38	64	35.10	2.8	1.00	0.31	7586	4328	40	0.85	GS109R79 GSF109R79 GSA109R79 GSAF109R79	4P							0.65	2574	2054	24	1.00	GS89R59 GSF89R59 GSA89R59 GSAF89R59	4P							0.73	2286			1824	26	1.10			0.82	2043	1631	27	1.20	1.4	1206	930	28	1.70	1.6	1089	831	28	1.75	1.9	1179	714	11	1.00	GS79R39 GSF79R39 GSA79R39 GSAF79R39	4P							2.1	1053			637	12	1.15	2.3	954			574	13	1.25	2.7	819	499	14			1.35	3.0	720	438	14	1.50	3.4			639	389	15	1.60	3.6	563	365	7.3	0.85	GS69R39 GSF69R39 GSA69R39 GSAF69R39	4P							4.2	491	319			8.1	1.00	4.7	432	281	8.6			1.10	5.4	387	246	9.0	1.25	2.3	882	288.00	28	2.00	GS89 GSF89 GSA89 GSAF89	8P							2.6	801	258.18	28	2.10			3.0	698	222.40	28	2.25																																																																																																																																																																																																																											
19	107	71.75	5.3	1.30	19	122	69.39	5.2	1.15	20	101	67.20	5.3	1.30	21	113	63.80	5.2	1.20	24	98	54.59	5.3	1.30	28	86	47.32	5.1	1.35	30	81	44.23	5.1	1.40	35	70	38.23	4.9	1.45	41	60	32.48	4.7	1.55	46	54	29.00	4.6	1.65	54	47	24.77	4.4	1.70	57	44	23.20	4.3	1.75	68	41	19.54	4.0	1.90	75	36	17.80	3.8	2.00	88	33	15.12	3.8	2.10	21	93	63.33	2.8	0.85	26	91	51.30	2.8	0.85	30	78	43.68	2.8	0.95	35	68	37.66	2.8	1.00	38	64	35.10	2.8	1.00	0.31	7586	4328	40	0.85	GS109R79 GSF109R79 GSA109R79 GSAF109R79	4P							0.65	2574	2054	24	1.00	GS89R59 GSF89R59 GSA89R59 GSAF89R59	4P							0.73	2286			1824	26	1.10			0.82	2043	1631	27	1.20	1.4	1206	930	28	1.70	1.6	1089	831	28	1.75	1.9	1179	714	11	1.00	GS79R39 GSF79R39 GSA79R39 GSAF79R39	4P							2.1	1053			637	12	1.15			2.3	954	574	13	1.25			2.7	819	499	14	1.35	3.0	720			438	14	1.50	3.4	639	389	15	1.60	3.6	563	365	7.3	0.85	GS69R39 GSF69R39 GSA69R39 GSAF69R39	4P							4.2	491			319	8.1	1.00	4.7			432	281	8.6	1.10	5.4	387	246	9.0	1.25	2.3	882	288.00	28	2.00	GS89 GSF89 GSA89 GSAF89	8P							2.6	801			258.18	28	2.10	3.0	698	222.40	28	2.25																																																																																																																																																																																																																																
19	122	69.39	5.2	1.15	20	101	67.20	5.3	1.30	21	113	63.80	5.2	1.20	24	98	54.59	5.3	1.30	28	86	47.32	5.1	1.35	30	81	44.23	5.1	1.40	35	70	38.23	4.9	1.45	41	60	32.48	4.7	1.55	46	54	29.00	4.6	1.65	54	47	24.77	4.4	1.70	57	44	23.20	4.3	1.75	68	41	19.54	4.0	1.90	75	36	17.80	3.8	2.00	88	33	15.12	3.8	2.10	21	93	63.33	2.8	0.85	26	91	51.30	2.8	0.85	30	78	43.68	2.8	0.95	35	68	37.66	2.8	1.00	38	64	35.10	2.8	1.00	0.31	7586	4328	40	0.85	GS109R79 GSF109R79 GSA109R79 GSAF109R79	4P							0.65	2574	2054	24	1.00	GS89R59 GSF89R59 GSA89R59 GSAF89R59	4P							0.73	2286			1824	26	1.10			0.82	2043	1631	27	1.20	1.4	1206	930	28	1.70	1.6	1089	831	28	1.75	1.9	1179	714	11	1.00	GS79R39 GSF79R39 GSA79R39 GSAF79R39	4P							2.1	1053			637	12	1.15			2.3	954	574			13	1.25	2.7	819	499			14	1.35	3.0	720	438	14	1.50	3.4	639	389	15	1.60	3.6	563	365	7.3	0.85	GS69R39 GSF69R39 GSA69R39 GSAF69R39	4P							4.2	491			319	8.1	1.00			4.7	432	281	8.6	1.10	5.4	387	246	9.0	1.25	2.3	882	288.00	28	2.00	GS89 GSF89 GSA89 GSAF89	8P							2.6	801			258.18	28	2.10	3.0	698	222.40	28	2.25																																																																																																																																																																																																																																					
20	101	67.20	5.3	1.30	21	113	63.80	5.2	1.20	24	98	54.59	5.3	1.30	28	86	47.32	5.1	1.35	30	81	44.23	5.1	1.40	35	70	38.23	4.9	1.45	41	60	32.48	4.7	1.55	46	54	29.00	4.6	1.65	54	47	24.77	4.4	1.70	57	44	23.20	4.3	1.75	68	41	19.54	4.0	1.90	75	36	17.80	3.8	2.00	88	33	15.12	3.8	2.10	21	93	63.33	2.8	0.85	26	91	51.30	2.8	0.85	30	78	43.68	2.8	0.95	35	68	37.66	2.8	1.00	38	64	35.10	2.8	1.00	0.31	7586	4328	40	0.85	GS109R79 GSF109R79 GSA109R79 GSAF109R79	4P							0.65	2574	2054	24	1.00	GS89R59 GSF89R59 GSA89R59 GSAF89R59	4P							0.73	2286			1824	26	1.10			0.82	2043	1631	27	1.20	1.4	1206	930	28	1.70	1.6	1089	831	28	1.75	1.9	1179	714	11	1.00	GS79R39 GSF79R39 GSA79R39 GSAF79R39	4P							2.1	1053			637	12	1.15			2.3	954	574			13	1.25	2.7			819	499	14	1.35	3.0	720	438	14	1.50	3.4	639	389	15	1.60	3.6	563	365	7.3	0.85	GS69R39 GSF69R39 GSA69R39 GSAF69R39	4P							4.2	491			319	8.1	1.00			4.7	432	281	8.6	1.10	5.4	387	246	9.0	1.25	2.3	882	288.00	28	2.00	GS89 GSF89 GSA89 GSAF89	8P							2.6	801			258.18	28	2.10	3.0	698	222.40	28	2.25																																																																																																																																																																																																																																										
21	113	63.80	5.2	1.20	24	98	54.59	5.3	1.30	28	86	47.32	5.1	1.35	30	81	44.23	5.1	1.40	35	70	38.23	4.9	1.45	41	60	32.48	4.7	1.55	46	54	29.00	4.6	1.65	54	47	24.77	4.4	1.70	57	44	23.20	4.3	1.75	68	41	19.54	4.0	1.90	75	36	17.80	3.8	2.00	88	33	15.12	3.8	2.10	21	93	63.33	2.8	0.85	26	91	51.30	2.8	0.85	30	78	43.68	2.8	0.95	35	68	37.66	2.8	1.00	38	64	35.10	2.8	1.00	0.31	7586	4328	40	0.85	GS109R79 GSF109R79 GSA109R79 GSAF109R79	4P							0.65	2574	2054	24	1.00	GS89R59 GSF89R59 GSA89R59 GSAF89R59	4P							0.73	2286			1824	26	1.10			0.82	2043	1631	27	1.20	1.4	1206	930	28	1.70	1.6	1089	831	28	1.75	1.9	1179	714	11	1.00	GS79R39 GSF79R39 GSA79R39 GSAF79R39	4P							2.1	1053			637	12	1.15			2.3	954	574			13	1.25	2.7			819	499	14	1.35	3.0	720	438	14	1.50	3.4	639	389	15	1.60	3.6	563	365	7.3	0.85	GS69R39 GSF69R39 GSA69R39 GSAF69R39	4P							4.2	491			319	8.1	1.00			4.7	432	281	8.6	1.10	5.4	387	246	9.0	1.25	2.3	882	288.00	28	2.00	GS89 GSF89 GSA89 GSAF89	8P							2.6	801			258.18	28	2.10	3.0	698	222.40	28	2.25																																																																																																																																																																																																																																															
24	98	54.59	5.3	1.30	28	86	47.32	5.1	1.35	30	81	44.23	5.1	1.40	35	70	38.23	4.9	1.45	41	60	32.48	4.7	1.55	46	54	29.00	4.6	1.65	54	47	24.77	4.4	1.70	57	44	23.20	4.3	1.75	68	41	19.54	4.0	1.90	75	36	17.80	3.8	2.00	88	33	15.12	3.8	2.10	21	93	63.33	2.8	0.85	26	91	51.30	2.8	0.85	30	78	43.68	2.8	0.95	35	68	37.66	2.8	1.00	38	64	35.10	2.8	1.00	0.31	7586	4328	40	0.85	GS109R79 GSF109R79 GSA109R79 GSAF109R79	4P							0.65	2574	2054	24	1.00	GS89R59 GSF89R59 GSA89R59 GSAF89R59	4P							0.73	2286			1824	26	1.10			0.82	2043	1631	27	1.20	1.4	1206	930	28	1.70	1.6	1089	831	28	1.75	1.9	1179	714	11	1.00	GS79R39 GSF79R39 GSA79R39 GSAF79R39	4P							2.1	1053			637	12	1.15			2.3	954	574			13	1.25	2.7			819	499	14	1.35	3.0	720	438	14	1.50	3.4	639	389	15	1.60	3.6	563	365	7.3	0.85	GS69R39 GSF69R39 GSA69R39 GSAF69R39	4P							4.2	491			319	8.1	1.00			4.7	432	281	8.6	1.10	5.4	387	246	9.0	1.25	2.3	882	288.00	28	2.00	GS89 GSF89 GSA89 GSAF89	8P							2.6	801			258.18	28	2.10	3.0	698	222.40	28	2.25																																																																																																																																																																																																																																																				
28	86	47.32	5.1	1.35	30	81	44.23	5.1	1.40	35	70	38.23	4.9	1.45	41	60	32.48	4.7	1.55	46	54	29.00	4.6	1.65	54	47	24.77	4.4	1.70	57	44	23.20	4.3	1.75	68	41	19.54	4.0	1.90	75	36	17.80	3.8	2.00	88	33	15.12	3.8	2.10	21	93	63.33	2.8	0.85	26	91	51.30	2.8	0.85	30	78	43.68	2.8	0.95	35	68	37.66	2.8	1.00	38	64	35.10	2.8	1.00	0.31	7586	4328	40	0.85	GS109R79 GSF109R79 GSA109R79 GSAF109R79	4P							0.65	2574	2054	24	1.00	GS89R59 GSF89R59 GSA89R59 GSAF89R59	4P							0.73	2286			1824	26	1.10			0.82	2043	1631	27	1.20	1.4	1206	930	28	1.70	1.6	1089	831	28	1.75	1.9	1179	714	11	1.00	GS79R39 GSF79R39 GSA79R39 GSAF79R39	4P							2.1	1053			637	12	1.15			2.3	954	574			13	1.25	2.7			819	499	14	1.35	3.0	720	438	14	1.50	3.4	639	389	15	1.60	3.6	563	365	7.3	0.85	GS69R39 GSF69R39 GSA69R39 GSAF69R39	4P							4.2	491			319	8.1	1.00			4.7	432	281	8.6	1.10	5.4	387	246	9.0	1.25	2.3	882	288.00	28	2.00	GS89 GSF89 GSA89 GSAF89	8P							2.6	801			258.18	28	2.10	3.0	698	222.40	28	2.25																																																																																																																																																																																																																																																									
30	81	44.23	5.1	1.40	35	70	38.23	4.9	1.45	41	60	32.48	4.7	1.55	46	54	29.00	4.6	1.65	54	47	24.77	4.4	1.70	57	44	23.20	4.3	1.75	68	41	19.54	4.0	1.90	75	36	17.80	3.8	2.00	88	33	15.12	3.8	2.10	21	93	63.33	2.8	0.85	26	91	51.30	2.8	0.85	30	78	43.68	2.8	0.95	35	68	37.66	2.8	1.00	38	64	35.10	2.8	1.00	0.31	7586	4328	40	0.85	GS109R79 GSF109R79 GSA109R79 GSAF109R79	4P							0.65	2574	2054	24	1.00	GS89R59 GSF89R59 GSA89R59 GSAF89R59	4P							0.73	2286			1824	26	1.10			0.82	2043	1631	27	1.20	1.4	1206	930	28	1.70	1.6	1089	831	28	1.75	1.9	1179	714	11	1.00	GS79R39 GSF79R39 GSA79R39 GSAF79R39	4P							2.1	1053			637	12	1.15			2.3	954	574			13	1.25	2.7			819	499	14	1.35	3.0	720	438	14	1.50	3.4	639	389	15	1.60	3.6	563	365	7.3	0.85	GS69R39 GSF69R39 GSA69R39 GSAF69R39	4P							4.2	491			319	8.1	1.00			4.7	432	281	8.6	1.10	5.4	387	246	9.0	1.25	2.3	882	288.00	28	2.00	GS89 GSF89 GSA89 GSAF89	8P							2.6	801			258.18	28	2.10	3.0	698	222.40	28	2.25																																																																																																																																																																																																																																																														
35	70	38.23	4.9	1.45	41	60	32.48	4.7	1.55	46	54	29.00	4.6	1.65	54	47	24.77	4.4	1.70	57	44	23.20	4.3	1.75	68	41	19.54	4.0	1.90	75	36	17.80	3.8	2.00	88	33	15.12	3.8	2.10	21	93	63.33	2.8	0.85	26	91	51.30	2.8	0.85	30	78	43.68	2.8	0.95	35	68	37.66	2.8	1.00	38	64	35.10	2.8	1.00	0.31	7586	4328	40	0.85	GS109R79 GSF109R79 GSA109R79 GSAF109R79	4P							0.65	2574	2054	24	1.00	GS89R59 GSF89R59 GSA89R59 GSAF89R59	4P							0.73	2286			1824	26	1.10			0.82	2043	1631	27	1.20	1.4	1206	930	28	1.70	1.6	1089	831	28	1.75	1.9	1179	714	11	1.00	GS79R39 GSF79R39 GSA79R39 GSAF79R39	4P							2.1	1053			637	12	1.15			2.3	954	574			13	1.25	2.7			819	499	14	1.35	3.0	720	438	14	1.50	3.4	639	389	15	1.60	3.6	563	365	7.3	0.85	GS69R39 GSF69R39 GSA69R39 GSAF69R39	4P							4.2	491			319	8.1	1.00			4.7	432	281	8.6	1.10	5.4	387	246	9.0	1.25	2.3	882	288.00	28	2.00	GS89 GSF89 GSA89 GSAF89	8P							2.6	801			258.18	28	2.10	3.0	698	222.40	28	2.25																																																																																																																																																																																																																																																																			
41	60	32.48	4.7	1.55	46	54	29.00	4.6	1.65	54	47	24.77	4.4	1.70	57	44	23.20	4.3	1.75	68	41	19.54	4.0	1.90	75	36	17.80	3.8	2.00	88	33	15.12	3.8	2.10	21	93	63.33	2.8	0.85	26	91	51.30	2.8	0.85	30	78	43.68	2.8	0.95	35	68	37.66	2.8	1.00	38	64	35.10	2.8	1.00	0.31	7586	4328	40	0.85	GS109R79 GSF109R79 GSA109R79 GSAF109R79	4P							0.65	2574	2054	24	1.00	GS89R59 GSF89R59 GSA89R59 GSAF89R59	4P							0.73	2286			1824	26	1.10			0.82	2043	1631	27	1.20	1.4	1206	930	28	1.70	1.6	1089	831	28	1.75	1.9	1179	714	11	1.00	GS79R39 GSF79R39 GSA79R39 GSAF79R39	4P							2.1	1053			637	12	1.15			2.3	954	574			13	1.25	2.7			819	499	14	1.35	3.0	720	438	14	1.50	3.4	639	389	15	1.60	3.6	563	365	7.3	0.85	GS69R39 GSF69R39 GSA69R39 GSAF69R39	4P							4.2	491			319	8.1	1.00			4.7	432	281	8.6	1.10	5.4	387	246	9.0	1.25	2.3	882	288.00	28	2.00	GS89 GSF89 GSA89 GSAF89	8P							2.6	801			258.18	28	2.10	3.0	698	222.40	28	2.25																																																																																																																																																																																																																																																																								
46	54	29.00	4.6	1.65	54	47	24.77	4.4	1.70	57	44	23.20	4.3	1.75	68	41	19.54	4.0	1.90	75	36	17.80	3.8	2.00	88	33	15.12	3.8	2.10	21	93	63.33	2.8	0.85	26	91	51.30	2.8	0.85	30	78	43.68	2.8	0.95	35	68	37.66	2.8	1.00	38	64	35.10	2.8	1.00	0.31	7586	4328	40	0.85	GS109R79 GSF109R79 GSA109R79 GSAF109R79	4P							0.65	2574	2054	24	1.00	GS89R59 GSF89R59 GSA89R59 GSAF89R59	4P							0.73	2286			1824	26	1.10			0.82	2043	1631	27	1.20	1.4	1206	930	28	1.70	1.6	1089	831	28	1.75	1.9	1179	714	11	1.00	GS79R39 GSF79R39 GSA79R39 GSAF79R39	4P							2.1	1053			637	12	1.15			2.3	954	574			13	1.25	2.7			819	499	14	1.35	3.0	720	438	14	1.50	3.4	639	389	15	1.60	3.6	563	365	7.3	0.85	GS69R39 GSF69R39 GSA69R39 GSAF69R39	4P							4.2	491			319	8.1	1.00			4.7	432	281	8.6	1.10	5.4	387	246	9.0	1.25	2.3	882	288.00	28	2.00	GS89 GSF89 GSA89 GSAF89	8P							2.6	801			258.18	28	2.10	3.0	698	222.40	28	2.25																																																																																																																																																																																																																																																																													
54	47	24.77	4.4	1.70	57	44	23.20	4.3	1.75	68	41	19.54	4.0	1.90	75	36	17.80	3.8	2.00	88	33	15.12	3.8	2.10	21	93	63.33	2.8	0.85	26	91	51.30	2.8	0.85	30	78	43.68	2.8	0.95	35	68	37.66	2.8	1.00	38	64	35.10	2.8	1.00	0.31	7586	4328	40	0.85	GS109R79 GSF109R79 GSA109R79 GSAF109R79	4P							0.65	2574	2054	24	1.00	GS89R59 GSF89R59 GSA89R59 GSAF89R59	4P							0.73	2286			1824	26	1.10			0.82	2043	1631	27	1.20	1.4	1206	930	28	1.70	1.6	1089	831	28	1.75	1.9	1179	714	11	1.00	GS79R39 GSF79R39 GSA79R39 GSAF79R39	4P							2.1	1053			637	12	1.15			2.3	954	574			13	1.25	2.7			819	499	14	1.35	3.0	720	438	14	1.50	3.4	639	389	15	1.60	3.6	563	365	7.3	0.85	GS69R39 GSF69R39 GSA69R39 GSAF69R39	4P							4.2	491			319	8.1	1.00			4.7	432	281	8.6	1.10	5.4	387	246	9.0	1.25	2.3	882	288.00	28	2.00	GS89 GSF89 GSA89 GSAF89	8P							2.6	801			258.18	28	2.10	3.0	698	222.40	28	2.25																																																																																																																																																																																																																																																																																		
57	44	23.20	4.3	1.75	68	41	19.54	4.0	1.90	75	36	17.80	3.8	2.00	88	33	15.12	3.8	2.10	21	93	63.33	2.8	0.85	26	91	51.30	2.8	0.85	30	78	43.68	2.8	0.95	35	68	37.66	2.8	1.00	38	64	35.10	2.8	1.00	0.31	7586	4328	40	0.85	GS109R79 GSF109R79 GSA109R79 GSAF109R79	4P							0.65	2574	2054	24	1.00	GS89R59 GSF89R59 GSA89R59 GSAF89R59	4P							0.73	2286			1824	26	1.10			0.82	2043	1631	27	1.20	1.4	1206	930	28	1.70	1.6	1089	831	28	1.75	1.9	1179	714	11	1.00	GS79R39 GSF79R39 GSA79R39 GSAF79R39	4P							2.1	1053			637	12	1.15			2.3	954	574			13	1.25	2.7			819	499	14	1.35	3.0	720	438	14	1.50	3.4	639	389	15	1.60	3.6	563	365	7.3	0.85	GS69R39 GSF69R39 GSA69R39 GSAF69R39	4P							4.2	491			319	8.1	1.00			4.7	432	281	8.6	1.10	5.4	387	246	9.0	1.25	2.3	882	288.00	28	2.00	GS89 GSF89 GSA89 GSAF89	8P							2.6	801			258.18	28	2.10	3.0	698	222.40	28	2.25																																																																																																																																																																																																																																																																																							
68	41	19.54	4.0	1.90	75	36	17.80	3.8	2.00	88	33	15.12	3.8	2.10	21	93	63.33	2.8	0.85	26	91	51.30	2.8	0.85	30	78	43.68	2.8	0.95	35	68	37.66	2.8	1.00	38	64	35.10	2.8	1.00	0.31	7586	4328	40	0.85	GS109R79 GSF109R79 GSA109R79 GSAF109R79	4P							0.65	2574	2054	24	1.00	GS89R59 GSF89R59 GSA89R59 GSAF89R59	4P							0.73	2286			1824	26	1.10			0.82	2043	1631	27	1.20	1.4	1206	930	28	1.70	1.6	1089	831	28	1.75	1.9	1179	714	11	1.00	GS79R39 GSF79R39 GSA79R39 GSAF79R39	4P							2.1	1053			637	12	1.15			2.3	954	574			13	1.25	2.7			819	499	14	1.35	3.0	720	438	14	1.50	3.4	639	389	15	1.60	3.6	563	365	7.3	0.85	GS69R39 GSF69R39 GSA69R39 GSAF69R39	4P							4.2	491			319	8.1	1.00			4.7	432	281	8.6	1.10	5.4	387	246	9.0	1.25	2.3	882	288.00	28	2.00	GS89 GSF89 GSA89 GSAF89	8P							2.6	801			258.18	28	2.10	3.0	698	222.40	28	2.25																																																																																																																																																																																																																																																																																												
75	36	17.80	3.8	2.00	88	33	15.12	3.8	2.10	21	93	63.33	2.8	0.85	26	91	51.30	2.8	0.85	30	78	43.68	2.8	0.95	35	68	37.66	2.8	1.00	38	64	35.10	2.8	1.00	0.31	7586	4328	40	0.85	GS109R79 GSF109R79 GSA109R79 GSAF109R79	4P							0.65	2574	2054	24	1.00	GS89R59 GSF89R59 GSA89R59 GSAF89R59	4P							0.73	2286			1824	26	1.10			0.82	2043	1631	27	1.20	1.4	1206	930	28	1.70	1.6	1089	831	28	1.75	1.9	1179	714	11	1.00	GS79R39 GSF79R39 GSA79R39 GSAF79R39	4P							2.1	1053			637	12	1.15			2.3	954	574			13	1.25	2.7			819	499	14	1.35	3.0	720	438	14	1.50	3.4	639	389	15	1.60	3.6	563	365	7.3	0.85	GS69R39 GSF69R39 GSA69R39 GSAF69R39	4P							4.2	491			319	8.1	1.00			4.7	432	281	8.6	1.10	5.4	387	246	9.0	1.25	2.3	882	288.00	28	2.00	GS89 GSF89 GSA89 GSAF89	8P							2.6	801			258.18	28	2.10	3.0	698	222.40	28	2.25																																																																																																																																																																																																																																																																																																	
88	33	15.12	3.8	2.10	21	93	63.33	2.8	0.85	26	91	51.30	2.8	0.85	30	78	43.68	2.8	0.95	35	68	37.66	2.8	1.00	38	64	35.10	2.8	1.00	0.31	7586	4328	40	0.85	GS109R79 GSF109R79 GSA109R79 GSAF109R79	4P							0.65	2574	2054	24	1.00	GS89R59 GSF89R59 GSA89R59 GSAF89R59	4P							0.73	2286			1824	26	1.10			0.82	2043	1631	27	1.20	1.4	1206	930	28	1.70	1.6	1089	831	28	1.75	1.9	1179	714	11	1.00	GS79R39 GSF79R39 GSA79R39 GSAF79R39	4P							2.1	1053			637	12	1.15			2.3	954	574			13	1.25	2.7			819	499	14	1.35	3.0	720	438	14	1.50	3.4	639	389	15	1.60	3.6	563	365	7.3	0.85	GS69R39 GSF69R39 GSA69R39 GSAF69R39	4P							4.2	491			319	8.1	1.00			4.7	432	281	8.6	1.10	5.4	387	246	9.0	1.25	2.3	882	288.00	28	2.00	GS89 GSF89 GSA89 GSAF89	8P							2.6	801			258.18	28	2.10	3.0	698	222.40	28	2.25																																																																																																																																																																																																																																																																																																						
21	93	63.33	2.8	0.85	26	91	51.30	2.8	0.85	30	78	43.68	2.8	0.95	35	68	37.66	2.8	1.00	38	64	35.10	2.8	1.00	0.31	7586	4328	40	0.85	GS109R79 GSF109R79 GSA109R79 GSAF109R79	4P							0.65	2574	2054	24	1.00	GS89R59 GSF89R59 GSA89R59 GSAF89R59	4P							0.73	2286			1824	26	1.10			0.82	2043	1631	27	1.20	1.4	1206	930	28	1.70	1.6	1089	831	28	1.75	1.9	1179	714	11	1.00	GS79R39 GSF79R39 GSA79R39 GSAF79R39	4P							2.1	1053			637	12	1.15			2.3	954	574			13	1.25	2.7			819	499	14	1.35	3.0	720	438	14	1.50	3.4	639	389	15	1.60	3.6	563	365	7.3	0.85	GS69R39 GSF69R39 GSA69R39 GSAF69R39	4P							4.2	491			319	8.1	1.00			4.7	432	281	8.6	1.10	5.4	387	246	9.0	1.25	2.3	882	288.00	28	2.00	GS89 GSF89 GSA89 GSAF89	8P							2.6	801			258.18	28	2.10	3.0	698	222.40	28	2.25																																																																																																																																																																																																																																																																																																											
26	91	51.30	2.8	0.85	30	78	43.68	2.8	0.95	35	68	37.66	2.8	1.00	38	64	35.10	2.8	1.00	0.31	7586	4328	40	0.85	GS109R79 GSF109R79 GSA109R79 GSAF109R79	4P							0.65	2574	2054	24	1.00	GS89R59 GSF89R59 GSA89R59 GSAF89R59	4P							0.73	2286			1824	26	1.10			0.82	2043	1631	27	1.20	1.4	1206	930	28	1.70	1.6	1089	831	28	1.75	1.9	1179	714	11	1.00	GS79R39 GSF79R39 GSA79R39 GSAF79R39	4P							2.1	1053			637	12	1.15			2.3	954	574			13	1.25	2.7			819	499	14	1.35	3.0	720	438	14	1.50	3.4	639	389	15	1.60	3.6	563	365	7.3	0.85	GS69R39 GSF69R39 GSA69R39 GSAF69R39	4P							4.2	491			319	8.1	1.00			4.7	432	281	8.6	1.10	5.4	387	246	9.0	1.25	2.3	882	288.00	28	2.00	GS89 GSF89 GSA89 GSAF89	8P							2.6	801			258.18	28	2.10	3.0	698	222.40	28	2.25																																																																																																																																																																																																																																																																																																																
30	78	43.68	2.8	0.95	35	68	37.66	2.8	1.00	38	64	35.10	2.8	1.00	0.31	7586	4328	40	0.85	GS109R79 GSF109R79 GSA109R79 GSAF109R79	4P							0.65	2574	2054	24	1.00	GS89R59 GSF89R59 GSA89R59 GSAF89R59	4P							0.73	2286			1824	26	1.10			0.82	2043	1631	27	1.20	1.4	1206	930	28	1.70	1.6	1089	831	28	1.75	1.9	1179	714	11	1.00	GS79R39 GSF79R39 GSA79R39 GSAF79R39	4P							2.1	1053			637	12	1.15			2.3	954	574			13	1.25	2.7			819	499	14	1.35	3.0	720	438	14	1.50	3.4	639	389	15	1.60	3.6	563	365	7.3	0.85	GS69R39 GSF69R39 GSA69R39 GSAF69R39	4P							4.2	491			319	8.1	1.00			4.7	432	281	8.6	1.10	5.4	387	246	9.0	1.25	2.3	882	288.00	28	2.00	GS89 GSF89 GSA89 GSAF89	8P							2.6	801			258.18	28	2.10	3.0	698	222.40	28	2.25																																																																																																																																																																																																																																																																																																																					
35	68	37.66	2.8	1.00	38	64	35.10	2.8	1.00	0.31	7586	4328	40	0.85	GS109R79 GSF109R79 GSA109R79 GSAF109R79	4P							0.65	2574	2054	24	1.00	GS89R59 GSF89R59 GSA89R59 GSAF89R59	4P							0.73	2286			1824	26	1.10			0.82	2043	1631	27	1.20	1.4	1206	930	28	1.70	1.6	1089	831	28	1.75	1.9	1179	714	11	1.00	GS79R39 GSF79R39 GSA79R39 GSAF79R39	4P							2.1	1053			637	12	1.15			2.3	954	574			13	1.25	2.7			819	499	14	1.35	3.0	720	438	14	1.50	3.4	639	389	15	1.60	3.6	563	365	7.3	0.85	GS69R39 GSF69R39 GSA69R39 GSAF69R39	4P							4.2	491			319	8.1	1.00			4.7	432	281	8.6	1.10	5.4	387	246	9.0	1.25	2.3	882	288.00	28	2.00	GS89 GSF89 GSA89 GSAF89	8P							2.6	801			258.18	28	2.10	3.0	698	222.40	28	2.25																																																																																																																																																																																																																																																																																																																										
38	64	35.10	2.8	1.00	0.31	7586	4328	40	0.85	GS109R79 GSF109R79 GSA109R79 GSAF109R79	4P							0.65	2574	2054	24	1.00	GS89R59 GSF89R59 GSA89R59 GSAF89R59	4P							0.73	2286			1824	26	1.10			0.82	2043	1631	27	1.20	1.4	1206	930	28	1.70	1.6	1089	831	28	1.75	1.9	1179	714	11	1.00	GS79R39 GSF79R39 GSA79R39 GSAF79R39	4P							2.1	1053			637	12	1.15			2.3	954	574			13	1.25	2.7			819	499	14	1.35	3.0	720	438	14	1.50	3.4	639	389	15	1.60	3.6	563	365	7.3	0.85	GS69R39 GSF69R39 GSA69R39 GSAF69R39	4P							4.2	491			319	8.1	1.00			4.7	432	281	8.6	1.10	5.4	387	246	9.0	1.25	2.3	882	288.00	28	2.00	GS89 GSF89 GSA89 GSAF89	8P							2.6	801			258.18	28	2.10	3.0	698	222.40	28	2.25																																																																																																																																																																																																																																																																																																																															
0.31	7586	4328	40	0.85	GS109R79 GSF109R79 GSA109R79 GSAF109R79	4P																																																																																																																																																																																																																																																																																																																																																																																																																																																																																						
0.65	2574	2054	24	1.00	GS89R59 GSF89R59 GSA89R59 GSAF89R59	4P																																																																																																																																																																																																																																																																																																																																																																																																																																																																																						
0.73	2286	1824	26	1.10			0.82	2043	1631	27	1.20	1.4	1206	930	28	1.70	1.6	1089	831	28	1.75	1.9			1179	714	11	1.00	GS79R39 GSF79R39 GSA79R39 GSAF79R39	4P							2.1	1053	637	12	1.15	2.3	954	574	13	1.25	2.7	819	499	14	1.35	3.0	720	438	14	1.50	3.4	639	389			15	1.60	3.6			563	365	7.3			0.85	GS69R39 GSF69R39 GSA69R39 GSAF69R39	4P							4.2	491	319	8.1	1.00	4.7	432	281	8.6	1.10	5.4	387	246	9.0	1.25	2.3	882	288.00	28	2.00	GS89 GSF89 GSA89 GSAF89	8P							2.6	801	258.18	28	2.10	3.0	698	222.40	28	2.25																																																																																																																																																																																																																																																																																																																																																																						
0.82	2043	1631	27	1.20			1.4	1206	930	28	1.70	1.6	1089	831	28	1.75	1.9	1179	714	11	1.00	GS79R39 GSF79R39 GSA79R39 GSAF79R39	4P								2.1	1053	637	12	1.15	2.3	954	574	13	1.25	2.7	819	499	14	1.35	3.0	720	438	14	1.50	3.4	639	389	15	1.60	3.6	563	365	7.3			0.85	GS69R39 GSF69R39 GSA69R39 GSAF69R39	4P											4.2	491	319	8.1	1.00	4.7	432	281	8.6	1.10	5.4	387	246	9.0	1.25	2.3	882	288.00	28	2.00	GS89 GSF89 GSA89 GSAF89	8P							2.6	801	258.18	28	2.10	3.0	698	222.40	28	2.25																																																																																																																																																																																																																																																																																																																																																																												
1.4	1206	930	28	1.70			1.6	1089	831	28	1.75	1.9	1179	714	11	1.00	GS79R39 GSF79R39 GSA79R39 GSAF79R39	4P							2.1	1053	637	12			1.15	2.3	954	574	13	1.25	2.7	819	499	14	1.35	3.0	720	438	14	1.50	3.4	639	389	15	1.60	3.6	563	365	7.3	0.85	GS69R39 GSF69R39 GSA69R39 GSAF69R39	4P							4.2	491	319	8.1	1.00	4.7	432	281			8.6	1.10	5.4	387	246	9.0	1.25	2.3	882	288.00	28	2.00	GS89 GSF89 GSA89 GSAF89	8P									2.6	801	258.18	28			2.10	3.0	698	222.40	28	2.25																																																																																																																																																																																																																																																																																																																																																																																
1.6	1089	831	28	1.75	1.9	1179	714	11	1.00	GS79R39 GSF79R39 GSA79R39 GSAF79R39	4P								2.1	1053	637			12	1.15	2.3	954	574			13	1.25	2.7	819	499	14	1.35	3.0	720	438	14	1.50	3.4	639	389	15	1.60	3.6	563	365	7.3	0.85	GS69R39 GSF69R39 GSA69R39 GSAF69R39	4P							4.2	491			319	8.1	1.00	4.7	432	281	8.6	1.10			5.4	387	246	9.0	1.25	2.3	882	288.00	28	2.00	GS89 GSF89 GSA89 GSAF89	8P											2.6	801	258.18	28	2.10	3.0	698	222.40	28	2.25																																																																																																																																																																																																																																																																																																																																																																																		
1.9	1179	714	11	1.00	GS79R39 GSF79R39 GSA79R39 GSAF79R39	4P																																																																																																																																																																																																																																																																																																																																																																																																																																																																																						
2.1	1053	637	12	1.15			2.3	954	574			13	1.25	2.7	819	499			14	1.35	3.0			720	438	14	1.50	3.4			639	389	15	1.60	3.6	563	365	7.3	0.85	GS69R39 GSF69R39 GSA69R39 GSAF69R39	4P							4.2	491	319	8.1	1.00			4.7	432			281	8.6	1.10	5.4	387	246	9.0	1.25	2.3	882	288.00	28	2.00	GS89 GSF89 GSA89 GSAF89	8P							2.6	801	258.18	28	2.10			3.0	698	222.40	28	2.25																																																																																																																																																																																																																																																																																																																																																																																																	
2.3	954	574	13	1.25			2.7	819	499			14	1.35	3.0	720	438			14	1.50	3.4			639	389	15	1.60	3.6	563	365	7.3	0.85	GS69R39 GSF69R39 GSA69R39 GSAF69R39	4P								4.2	491	319	8.1	1.00	4.7	432	281	8.6	1.10	5.4			387	246	9.0	1.25	2.3	882	288.00	28	2.00	GS89 GSF89 GSA89 GSAF89	8P									2.6	801	258.18	28	2.10	3.0	698	222.40	28	2.25																																																																																																																																																																																																																																																																																																																																																																																																									
2.7	819	499	14	1.35			3.0	720	438			14	1.50	3.4	639	389			15	1.60	3.6	563	365	7.3	0.85	GS69R39 GSF69R39 GSA69R39 GSAF69R39	4P								4.2	491	319	8.1	1.00			4.7	432	281	8.6	1.10	5.4	387	246	9.0	1.25	2.3	882	288.00	28	2.00	GS89 GSF89 GSA89 GSAF89	8P								2.6	801	258.18	28	2.10	3.0			698	222.40	28	2.25																																																																																																																																																																																																																																																																																																																																																																																																															
3.0	720	438	14	1.50			3.4	639	389			15	1.60	3.6	563	365	7.3	0.85	GS69R39 GSF69R39 GSA69R39 GSAF69R39	4P								4.2	491	319	8.1	1.00			4.7	432	281	8.6	1.10			5.4	387	246	9.0	1.25	2.3	882	288.00	28	2.00	GS89 GSF89 GSA89 GSAF89	8P							2.6	801	258.18	28			2.10	3.0	698	222.40	28	2.25																																																																																																																																																																																																																																																																																																																																																																																																																					
3.4	639	389	15	1.60			3.6	563	365	7.3	0.85	GS69R39 GSF69R39 GSA69R39 GSAF69R39	4P								4.2	491	319	8.1	1.00			4.7	432	281	8.6	1.10			5.4	387	246	9.0	1.25	2.3	882	288.00	28	2.00	GS89 GSF89 GSA89 GSAF89	8P								2.6	801	258.18			28	2.10	3.0	698	222.40	28	2.25																																																																																																																																																																																																																																																																																																																																																																																																																											
3.6	563	365	7.3	0.85	GS69R39 GSF69R39 GSA69R39 GSAF69R39	4P																																																																																																																																																																																																																																																																																																																																																																																																																																																																																						
4.2	491	319	8.1	1.00			4.7	432	281	8.6	1.10			5.4	387	246	9.0	1.25			2.3	882	288.00	28	2.00	GS89 GSF89 GSA89 GSAF89	8P							2.6	801	258.18	28	2.10	3.0	698	222.40	28	2.25																																																																																																																																																																																																																																																																																																																																																																																																																																																	
4.7	432	281	8.6	1.10			5.4	387	246	9.0	1.25			2.3	882	288.00	28	2.00	GS89 GSF89 GSA89 GSAF89	8P								2.6	801	258.18	28	2.10	3.0	698	222.40	28	2.25																																																																																																																																																																																																																																																																																																																																																																																																																																																							
5.4	387	246	9.0	1.25			2.3	882	288.00	28	2.00	GS89 GSF89 GSA89 GSAF89	8P								2.6	801	258.18	28	2.10			3.0	698	222.40	28	2.25																																																																																																																																																																																																																																																																																																																																																																																																																																																												
2.3	882	288.00	28	2.00	GS89 GSF89 GSA89 GSAF89	8P																																																																																																																																																																																																																																																																																																																																																																																																																																																																																						
2.6	801	258.18	28	2.10			3.0	698	222.40	28	2.25																																																																																																																																																																																																																																																																																																																																																																																																																																																																																	
3.0	698	222.40	28	2.25																																																																																																																																																																																																																																																																																																																																																																																																																																																																																								

选型参数表
(恒功率) 0.37kW-0.55kW
Selection Table
(Constant Power) 0.37kW-0.55kW

n_a [r/min]	M_a [Nm]	i	F_{Ra} [kN]	f_B	机型号 Type size	极数 Pole	n_a [r/min]	M_a [Nm]	i	F_{Ra} [kN]	f_B	机型号 Type size	极数 Pole					
0.37kW							0.55kW											
43	57	30.68	2.8	1.05	GS39 GSF39 GSA39 GSAF39	4P	5.4	594	256.47	15	1.70	GS79	4P					
46	53	28.76	2.8	1.10			GSF79											
52	47	25.38	2.8	1.20			GSA79											
59	42	22.50	2.7	1.20			GSAF79											
70	40	19.13	2.5	1.30			6.4	468	217.41	8.2	1.00	GS69		4P				
71	37	18.85	2.4	1.25			7.3	419	190.11	8.7	1.10	GSF69						
81	32	16.48	2.4	1.30			7.7	401	180.60	8.8	1.15	GSA69						
86	27	15.45	2.4	1.35			8.8	356	158.45	9.1	1.30	GSAF69						
98	25	13.63	2.3	1.40			10	306	134.40	9.4	1.50	11			279	121.33	10	1.55
110	23	12.08	2.3	1.40			13	248	106.75	10	1.65	14		239	100.80	10	1.65	GS69
130	21	10.27	2.2	1.50	16	207	85.83	10	1.75	19	207	75.06	10	1.70	GSF69			
108	25	25.38	2.4	1.45	19	207	75.06	10	1.70	21	185	65.63	10	1.75	GSA69			
122	23	22.50	2.3	1.50	21	185	65.63	10	1.75	9.5	306	94.08	6.4	0.85	GSAF69			
143	22	19.13	2.2	1.60	GS39 GSF39 GSA39 GSAF39	2P	11	275	84.00	6.7	0.95	GS59 GSF59 GSA59 GSAF59	6P					
145	20	18.85	2.1	1.55			12	239	71.75	7.0	1.10							
166	17	16.48	2.1	1.65			13	225	67.20	7.1	1.15							
177	14	15.45	2.1	1.65			16	221	54.59	7.1	1.10							
201	14	13.63	2.0	1.75			19	194	47.32	7.3	1.30							
227	12	12.08	1.9	1.80			20	180	44.23	7.4	1.35							
267	11	10.27	1.8	1.95			23	158	38.23	7.5	1.40							
0.55kW							8.8	333	158.12	6.0	0.80			GS59 GSF59 GSA59 GSAF59	4P			
0.55	6307	2530	40	1.05	GS109R79 GSF109R79 GSA109R79 GSAF109R79	4P	10	297	137.05	6.5	0.90							
1.0	2565	1332	24	0.90	GS89R59 GSF89R59 GSA89R59 GSAF89R59	4P	11	279	128.10	6.7	0.95							
1.2	2313	1191	26	1.00			13	243	110.73	7.0	1.10							
1.3	2016	1032	27	1.15			15	212	94.08	7.2	1.25							
1.5	1863	930	27	1.25			17	189	84.00	7.3	1.30							
1.7	1683	831	27	1.35			19	166	71.75	7.5	1.40							
1.9	1458	719	28	1.55			21	157	67.20	7.5	1.40							
2.2	1278	624	28	1.60			25	150	54.59	7.6	1.45							
2.5	1152	558	28	1.70			29	131	47.32	7.6	1.55							
3.2	918	435	28	1.90			31	123	44.23	7.7	1.55							
3.2	1107	438	12	1.05			36	108	38.23	7.7	1.65							
3.6	981	389	13	1.15	43	93	32.48	7.6	1.75									
4.3	828	327	14	1.35	48	83	29.00	7.3	1.85									
4.8	747	289	14	1.45	56	71	24.77	7.0	1.95									
5.6	648	250	15	1.55	60	68	23.20	6.9	2.00									
5.7	594	246	6.3	0.85	71	62	19.54	6.4	2.10									
6.3	531	221	7.7	0.95	17	185	84.00	4.9	0.80									
7.0	482	198	8.2	1.05	19	161	71.75	5.0	0.95									
8.3	414	168	8.8	1.20	21	152	67.20	5.1	1.00									
2.3	1305	288.00	28	1.65	25	149	54.59	4.9	0.95									
2.6	1188	258.18	28	1.70	29	130	47.32	4.8	1.10									
3.0	1035	222.40	28	1.85	31	122	44.23	4.7	1.15									
3.1	1017	288.00	28	1.85	36	106	38.23	4.6	1.20									
3.4	918	258.18	28	1.95	43	91	32.48	4.4	1.30									
4.0	810	222.40	28	2.05	48	82	29.00	4.3	1.30									
4.4	738	202.96	28	2.10	56	70	24.77	4.2	1.40									
2.9	981	225.26	13	1.15	60	67	23.20	4.1	1.45									
3.1	936	214.00	13	1.20	71	62	19.54	3.7	1.55									
3.5	837	189.09	13	1.35	78	54	17.80	3.6	1.65									
4.1	729	161.60	14	1.55	92	50	15.12	3.6	1.75									
3.5	864	256.47	13	1.35	103	44	13.50	3.4	1.80									
4.0	765	225.26	14	1.50	121	38	11.53	3.3	1.90									
4.2	729	214.00	14	1.55	129	33	10.80	3.2	1.95									
4.7	657	189.09	14	1.60	153	29	9.10	3.1	2.10									
5.5	572	161.60	15	1.70	45	85	30.68	2.5	0.80	GS39	4P							
					48	80	28.76	2.5	0.85	GSF39								
					55	71	25.38	2.5	0.95	GSA39								
					62	63	22.50	2.5	1.00	GSAF39								

GS 系列斜齿轮-蜗轮蜗杆减速电机

选型参数表

Selection Table

(恒功率) 0.55kW-0.75kW

(Constant Power) 0.55kW-0.75kW

n _a [r/min]	M _a [Nm]	i	F _{Ra} [kN]	f _B	机型号 Type size	极数 Pole	n _a [r/min]	M _a [Nm]	i	F _{Ra} [kN]	f _B	机型号 Type size	极数 Pole																																																																																																																																																																																																																																																																																																																																																																																																																																																																				
0.55kW							0.75kW																																																																																																																																																																																																																																																																																																																																																																																																																																																																										
73	54	19.13	2.4	1.05	GS39 GSF39 GSA39 GSAF39	4P	8.6	527	161.60	15	1.75	GS79 GSF79 GSA79 GSAF79	4P																																																																																																																																																																																																																																																																																																																																																																																																																																																																				
74	53	18.85	2.4	1.05			84	48	16.48	2.2	1.10			90	45	15.45	2.1	1.10	102	40	13.63	2.1	1.15	115	36	12.08	2.1	1.20	135	31	10.27	2.0	1.30	95	41	28.76	2.3	1.15	GS39 GSF39 GSA39 GSAF39	2P	7.3	563	190.11	7.2	0.80	GS69 GSF69 GSA69 GSAF69	4P	108	37	25.38	2.2	1.20	122	33	22.50	2.2	1.25	143	28	19.13	2.0	1.30	145	28	18.85	2.0	1.30	166	24	16.48	1.9	1.35	177	23	15.45	1.9	1.35	201	21	13.63	1.9	1.45	227	18	12.08	1.7	1.50	267	15	10.27	1.7	1.60	0.63	8406	2208	40	0.85	GS109R79 GSF109R79 GSA109R79 GSAF109R79	4P	13	329	71.75	6.1	0.80	GS59 GSF59 GSA59 GSAF59	6P	0.71	6628	1950	40	1.00	1.1	4419	1223	20	0.85	1.3	3870	1070	29	1.00	GS99R59 GSF99R59 GSA99R59 GSAF99R59	4P	13	329	110.73	6.1	0.80	GS59 GSF59 GSA59 GSAF59	4P	1.5	3339	928	32	1.15	1.7	2943	824	33	1.30	1.9	2097	714	34	1.75	2.2	2232	626	34	1.70	2.6	1917	538	34	1.85	2.9	1737	484	34	1.95	1.3	2754	1032	18	0.90	GS89R59 GSF89R59 GSA89R59 GSAF89R59	4P	15	284	94.08	6.6	0.95	GS59 GSF59 GSA59 GSAF59	4P	1.5	2538	930	25	1.00	1.7	2286	831	26	1.10	1.9	1998	719	27	1.25	2.2	1746	624	27	1.40	2.5	1575	558	27	1.45	3.2	1260	435	28	1.60	4.3	963	323	28	1.85	4.3	1125	327	11	1.05	GS79R39 GSF79R39 GSA79R39 GSAF79R39	4P	31	167	44.23	7.5	1.35	GS49 GSF49 GSA49 GSAF49	4P	4.8	1008	289	12	1.15	5.6	873	250	13	1.30	6.3	774	219	14	1.40	2.4	1836	286.40	34	1.90	GS99 GSF99 GSA99 GSAF99	8P	29	175	47.32	4.3	0.80	GS49 GSF49 GSA49 GSAF49	4P	2.6	1701	262.22	34	1.95	3.0	1521	231.67	35	2.05	3.2	1386	288.00	28	1.60	GS89 GSF89 GSA89 GSAF89	6P	31	164	44.23	4.3	0.85	3.5	1260	258.18	28	1.65	4.1	1098	222.40	28	1.80	4.5	1008	202.96	28	1.85	4.8	945	288.00	28	1.90	5.4	855	258.18	28	2.00	GS89 GSF89 GSA89 GSAF89	4P	36	143	38.23	4.2	1.00	6.3	747	222.40	28	2.10	6.8	689	202.96	28	2.20	7.4	608	189.09	15	1.65	4.0	1044	225.26	12	1.10	GS79 GSF79 GSA79 GSAF79	6P	43	122	32.48	4.1	1.10	4.3	999	214.00	12	1.15	4.8	891	189.09	13	1.30	5.6	774	161.60	14	1.45	5.4	801	256.47	14	1.45	GS79 GSF79 GSA79 GSAF79	4P	48	110	29.00	4.0	1.15	6.2	711	225.26	14	1.55	6.5	680	214.00	14	1.60	7.4	608	189.09	15	1.65	208	28	13.63	1.7	1.25	234	24	12.08	1.7	1.30	276	21	10.27	1.7	1.35																																																																											
84	48	16.48	2.2	1.10			90	45	15.45	2.1	1.10			102	40	13.63	2.1	1.15	115	36	12.08	2.1	1.20	135	31	10.27	2.0	1.30	95	41	28.76	2.3	1.15	GS39 GSF39 GSA39 GSAF39	2P	7.3	563	190.11			7.2	0.80	GS69 GSF69 GSA69 GSAF69	4P	108			37	25.38	2.2	1.20	122	33	22.50	2.2	1.25	143	28	19.13	2.0	1.30	145	28	18.85	2.0	1.30	166	24	16.48	1.9	1.35	177	23	15.45	1.9	1.35	201	21	13.63	1.9	1.45	227	18	12.08	1.7	1.50	267	15	10.27	1.7	1.60	0.63	8406	2208	40	0.85	GS109R79 GSF109R79 GSA109R79 GSAF109R79			4P	13	329	71.75	6.1			0.80	GS59 GSF59 GSA59 GSAF59	6P	0.71	6628	1950	40	1.00	1.1	4419	1223	20	0.85	1.3	3870			1070	29	1.00	GS99R59 GSF99R59 GSA99R59 GSAF99R59	4P			13	329	110.73	6.1	0.80	GS59 GSF59 GSA59 GSAF59	4P	1.5	3339	928	32	1.15	1.7	2943	824	33	1.30	1.9	2097	714	34	1.75	2.2	2232	626	34	1.70	2.6	1917	538	34	1.85	2.9	1737	484			34	1.95	1.3	2754	1032			18	0.90	GS89R59 GSF89R59 GSA89R59 GSAF89R59	4P	15	284	94.08	6.6	0.95	GS59 GSF59 GSA59 GSAF59	4P	1.5	2538	930	25	1.00	1.7	2286	831	26	1.10	1.9	1998	719	27	1.25	2.2	1746	624	27	1.40	2.5	1575	558	27	1.45	3.2	1260	435	28			1.60	4.3	963	323	28			1.85	4.3	1125	327	11	1.05	GS79R39 GSF79R39 GSA79R39 GSAF79R39	4P	31	167	44.23	7.5	1.35	GS49 GSF49 GSA49 GSAF49	4P	4.8	1008	289	12	1.15			5.6	873	250	13	1.30			6.3	774	219	14	1.40	2.4	1836	286.40	34	1.90	GS99 GSF99 GSA99 GSAF99	8P	29	175	47.32			4.3	0.80	GS49 GSF49 GSA49 GSAF49	4P	2.6	1701	262.22	34	1.95	3.0	1521	231.67	35	2.05	3.2	1386	288.00	28	1.60	GS89 GSF89 GSA89 GSAF89	6P	31	164	44.23	4.3	0.85	3.5	1260	258.18	28			1.65	4.1	1098	222.40	28	1.80	4.5	1008	202.96	28	1.85	4.8	945	288.00	28	1.90	5.4	855	258.18	28	2.00	GS89 GSF89 GSA89 GSAF89	4P	36	143			38.23	4.2	1.00	6.3	747	222.40	28	2.10	6.8	689	202.96	28	2.20	7.4	608	189.09	15	1.65	4.0	1044	225.26	12	1.10	GS79 GSF79 GSA79 GSAF79	6P			43	122	32.48	4.1	1.10	4.3	999	214.00	12	1.15	4.8	891	189.09	13	1.30	5.6	774	161.60	14	1.45	5.4	801	256.47	14	1.45	GS79 GSF79 GSA79 GSAF79	4P	48	110	29.00	4.0	1.15	6.2	711	225.26	14	1.55	6.5	680	214.00	14	1.60	7.4	608	189.09	15	1.65	208	28	13.63	1.7	1.25	234	24	12.08	1.7	1.30	276	21	10.27	1.7	1.35																																																
90	45	15.45	2.1	1.10			102	40	13.63	2.1	1.15			115	36	12.08	2.1	1.20	135	31	10.27	2.0	1.30	95	41	28.76	2.3	1.15	GS39 GSF39 GSA39 GSAF39	2P	7.3	563	190.11			7.2	0.80	GS69 GSF69 GSA69 GSAF69			4P	108			37			25.38	2.2	1.20	122	33	22.50	2.2	1.25	143	28	19.13	2.0	1.30	145	28	18.85	2.0	1.30	166	24	16.48	1.9	1.35	177	23	15.45	1.9	1.35	201	21	13.63	1.9	1.45	227	18	12.08	1.7	1.50	267	15	10.27	1.7	1.60	0.63	8406	2208	40	0.85	GS109R79 GSF109R79 GSA109R79 GSAF109R79					4P	13	329	71.75			6.1			0.80	GS59 GSF59 GSA59 GSAF59	6P	0.71	6628	1950	40	1.00	1.1	4419	1223	20			0.85	1.3	3870					1070	29	1.00	GS99R59 GSF99R59 GSA99R59 GSAF99R59	4P			13	329	110.73	6.1	0.80	GS59 GSF59 GSA59 GSAF59	4P	1.5	3339	928	32	1.15	1.7	2943	824	33	1.30	1.9	2097	714	34	1.75	2.2	2232	626	34	1.70	2.6			1917	538	34	1.85	2.9			1737	484			34	1.95	1.3	2754	1032			18	0.90	GS89R59 GSF89R59 GSA89R59 GSAF89R59	4P	15	284	94.08	6.6	0.95	GS59 GSF59 GSA59 GSAF59	4P	1.5	2538	930	25	1.00	1.7	2286	831	26	1.10	1.9	1998	719	27	1.25	2.2	1746	624			27	1.40	2.5	1575	558			27	1.45	3.2	1260	435	28			1.60	4.3	963	323	28			1.85	4.3	1125	327	11			1.05	GS79R39 GSF79R39 GSA79R39 GSAF79R39	4P	31	167			44.23	7.5	1.35	GS49 GSF49 GSA49 GSAF49	4P	4.8	1008	289	12	1.15			5.6	873	250			13	1.30			6.3	774	219	14	1.40	2.4	1836	286.40	34	1.90	GS99 GSF99 GSA99 GSAF99	8P	29	175	47.32			4.3	0.80	GS49 GSF49 GSA49 GSAF49	4P	2.6	1701	262.22	34	1.95			3.0	1521	231.67	35	2.05	3.2	1386	288.00	28	1.60	GS89 GSF89 GSA89 GSAF89	6P	31	164	44.23	4.3	0.85	3.5	1260	258.18	28			1.65	4.1			1098	222.40	28	1.80	4.5	1008	202.96	28	1.85	4.8	945	288.00	28	1.90	5.4	855	258.18	28	2.00	GS89 GSF89 GSA89 GSAF89	4P	36	143					38.23	4.2	1.00	6.3	747	222.40	28	2.10	6.8	689	202.96	28	2.20	7.4	608	189.09	15	1.65	4.0	1044	225.26	12	1.10	GS79 GSF79 GSA79 GSAF79	6P			43	122	32.48	4.1	1.10	4.3	999	214.00	12	1.15	4.8	891	189.09	13	1.30	5.6	774	161.60	14	1.45	5.4	801	256.47	14	1.45	GS79 GSF79 GSA79 GSAF79	4P	48	110	29.00	4.0	1.15	6.2	711	225.26	14	1.55	6.5	680	214.00	14	1.60	7.4	608	189.09	15	1.65	208	28	13.63	1.7	1.25	234	24	12.08	1.7	1.30	276	21	10.27	1.7	1.35																					
102	40	13.63	2.1	1.15			115	36	12.08	2.1	1.20			135	31	10.27	2.0	1.30	95	41	28.76	2.3	1.15	GS39 GSF39 GSA39 GSAF39	2P	7.3	563	190.11			7.2	0.80	GS69 GSF69 GSA69 GSAF69			4P	108					37			25.38			2.2	1.20	122	33	22.50	2.2	1.25	143	28	19.13	2.0	1.30	145	28	18.85	2.0	1.30	166	24	16.48	1.9	1.35	177	23	15.45	1.9	1.35	201	21	13.63	1.9	1.45	227	18	12.08	1.7	1.50	267	15	10.27	1.7	1.60	0.63	8406	2208	40	0.85	GS109R79 GSF109R79 GSA109R79 GSAF109R79			4P	13			329	71.75	6.1	0.80	GS59 GSF59 GSA59 GSAF59	6P			0.71			6628	1950	40	1.00	1.1	4419	1223	20	0.85			1.3	3870	1070					29	1.00	GS99R59 GSF99R59 GSA99R59 GSAF99R59					4P	13	329	110.73	6.1			0.80	GS59 GSF59 GSA59 GSAF59	4P	1.5	3339	928	32	1.15	1.7	2943	824	33	1.30	1.9	2097	714	34	1.75	2.2	2232	626			34	1.70	2.6	1917	538			34	1.85			2.9	1737	484	34	1.95			1.3	2754			1032	18	0.90	GS89R59 GSF89R59 GSA89R59 GSAF89R59	4P			15	284	94.08	6.6	0.95	GS59 GSF59 GSA59 GSAF59	4P	1.5	2538	930	25	1.00	1.7	2286	831	26	1.10	1.9			1998	719	27	1.25	2.2			1746	624	27	1.40	2.5	1575			558	27	1.45	3.2	1260			435	28	1.60	4.3	963	323	28	1.85			4.3	1125			327	11	1.05			GS79R39 GSF79R39 GSA79R39 GSAF79R39	4P	31	167	44.23			7.5	1.35	GS49 GSF49 GSA49 GSAF49			4P	4.8			1008	289	12	1.15	5.6	873	250	13	1.30	6.3			774	219	14			1.40	2.4			1836	286.40	34	1.90	GS99 GSF99 GSA99 GSAF99			8P	29	175	47.32	4.3	0.80	GS49 GSF49 GSA49 GSAF49	4P	2.6	1701			262.22	34	1.95	3.0	1521	231.67	35	2.05	3.2			1386	288.00			28	1.60	GS89 GSF89 GSA89 GSAF89	6P	31	164	44.23	4.3	0.85	3.5	1260	258.18	28	1.65	4.1	1098	222.40	28	1.80			4.5	1008					202.96	28	1.85	4.8	945	288.00	28	1.90	5.4	855	258.18	28	2.00	GS89 GSF89 GSA89 GSAF89	4P	36	143	38.23	4.2	1.00	6.3	747	222.40					28	2.10	6.8	689	202.96	28	2.20	7.4	608	189.09	15	1.65	4.0	1044	225.26	12	1.10	GS79 GSF79 GSA79 GSAF79	6P	43	122	32.48	4.1	1.10	4.3			999	214.00	12	1.15	4.8	891	189.09	13	1.30	5.6	774	161.60	14	1.45	5.4	801	256.47	14	1.45	GS79 GSF79 GSA79 GSAF79	4P	48	110	29.00	4.0	1.15	6.2	711	225.26	14	1.55	6.5	680	214.00	14	1.60	7.4	608	189.09	15	1.65	208	28	13.63	1.7	1.25	234	24	12.08	1.7	1.30	276	21	10.27	1.7	1.35
115	36	12.08	2.1	1.20	135	31	10.27	2.0	1.30	95	41	28.76	2.3	1.15	GS39 GSF39 GSA39 GSAF39	2P	7.3	563	190.11	7.2	0.80	GS69 GSF69 GSA69 GSAF69	4P			108	37	25.38			2.2	1.20					122					33			22.50			2.2	1.25	143	28	19.13	2.0	1.30	145	28	18.85	2.0	1.30	166	24	16.48	1.9	1.35	177	23	15.45	1.9	1.35	201	21	13.63	1.9	1.45	227	18	12.08	1.7	1.50	267	15	10.27	1.7	1.60	0.63	8406	2208	40	0.85	GS109R79 GSF109R79 GSA109R79 GSAF109R79	4P	13	329	71.75			6.1		0.80	GS59 GSF59 GSA59 GSAF59		6P	0.71	6628	1950			40	1.00	1.1			4419	1223	20	0.85	1.3	3870	1070	29	1.00			GS99R59 GSF99R59 GSA99R59 GSAF99R59	4P	13					329	110.73							6.1	0.80	GS59 GSF59 GSA59 GSAF59	4P			1.5			3339	928	32	1.15	1.7	2943	824	33	1.30	1.9	2097	714	34	1.75	2.2	2232	626	34			1.70	2.6	1917	538	34			1.85	2.9			1737	484	34	1.95	1.3			2754	1032			18	0.90	GS89R59 GSF89R59 GSA89R59 GSAF89R59					4P	15	284	94.08	6.6			0.95	GS59 GSF59 GSA59 GSAF59	4P	1.5	2538	930	25	1.00	1.7	2286	831	26	1.10	1.9	1998	719	27	1.25	2.2	1746	624	27	1.40	2.5	1575	558			27	1.45	3.2	1260	435			28	1.60	4.3	963	323	28	1.85	4.3			1125	327			11	1.05	GS79R39 GSF79R39 GSA79R39 GSAF79R39					4P	31	167	44.23	7.5	1.35	GS49 GSF49 GSA49 GSAF49					4P			4.8	1008	289	12	1.15	5.6	873	250	13	1.30			6.3	774	219			14	1.40			2.4	1836	286.40	34		1.90	GS99 GSF99 GSA99 GSAF99		8P	29	175	47.32	4.3			0.80	GS49 GSF49 GSA49 GSAF49			4P	2.6	1701	262.22	34	1.95	3.0	1521	231.67			35	2.05	3.2	1386	288.00	28			1.60	GS89 GSF89 GSA89 GSAF89	6P	31	164	44.23	4.3	0.85	3.5	1260	258.18	28	1.65	4.1	1098			222.40	28					1.80	4.5	1008	202.96	28	1.85	4.8	945	288.00	28	1.90	5.4	855			258.18	28	2.00	GS89 GSF89 GSA89 GSAF89	4P	36	143	38.23					4.2	1.00	6.3	747	222.40	28	2.10	6.8	689	202.96	28	2.20	7.4	608	189.09	15	1.65			4.0	1044	225.26	12	1.10	GS79 GSF79 GSA79 GSAF79			6P	43	122	32.48	4.1	1.10	4.3	999	214.00	12	1.15	4.8	891	189.09	13	1.30	5.6	774	161.60			14	1.45	5.4	801	256.47	14	1.45	GS79 GSF79 GSA79 GSAF79	4P	48	110	29.00	4.0	1.15	6.2	711	225.26	14	1.55	6.5	680	214.00	14	1.60	7.4	608	189.09	15	1.65	208	28	13.63	1.7	1.25	234
135	31	10.27	2.0	1.30	95	41	28.76	2.3	1.15	GS39 GSF39 GSA39 GSAF39	2P	7.3	563	190.11			7.2	0.80	GS69 GSF69 GSA69 GSAF69	4P	108					37	25.38	2.2			1.20	122					33					22.50			2.2			1.25	143	28	19.13	2.0	1.30	145	28	18.85	2.0	1.30	166	24	16.48	1.9	1.35	177	23	15.45	1.9	1.35	201	21	13.63	1.9	1.45	227	18	12.08	1.7	1.50	267	15	10.27	1.7	1.60	0.63	8406	2208	40	0.85	GS109R79 GSF109R79 GSA109R79 GSAF109R79			4P	13	329		71.75	6.1		0.80		GS59 GSF59 GSA59 GSAF59		6P	0.71	6628			1950	40	1.00	1.1	4419	1223	20	0.85	1.3	3870	1070	29	1.00	GS99R59 GSF99R59 GSA99R59 GSAF99R59					4P					13	329							110.73	6.1					0.80			GS59 GSF59 GSA59 GSAF59	4P	1.5	3339	928	32	1.15	1.7	2943	824	33	1.30	1.9	2097	714	34	1.75	2.2			2232	626	34	1.70	2.6			1917	538			34	1.85	2.9	1737	484			34	1.95			1.3	2754							1032	18	0.90	GS89R59 GSF89R59 GSA89R59 GSAF89R59			4P			15	284	94.08	6.6	0.95	GS59 GSF59 GSA59 GSAF59	4P	1.5	2538	930	25	1.00	1.7	2286	831	26	1.10	1.9	1998	719	27	1.25	2.2	1746	624	27	1.40	2.5	1575	558	27	1.45	3.2	1260	435	28	1.60	4.3	963	323			28	1.85			4.3	1125							327	11	1.05	GS79R39 GSF79R39 GSA79R39 GSAF79R39	4P			31	167					44.23	7.5	1.35	GS49 GSF49 GSA49 GSAF49	4P	4.8	1008	289	12	1.15	5.6	873	250	13	1.30			6.3	774			219	14	1.40	2.4		1836				286.40	34	1.90	GS99 GSF99 GSA99 GSAF99			8P					29	175	47.32	4.3	0.80	GS49 GSF49 GSA49 GSAF49	4P	2.6	1701	262.22	34	1.95	3.0	1521	231.67	35			2.05			3.2	1386	288.00	28	1.60	GS89 GSF89 GSA89 GSAF89	6P	31	164	44.23	4.3	0.85			3.5	1260	258.18	28	1.65	4.1	1098	222.40	28	1.80	4.5	1008	202.96	28	1.85	4.8	945	288.00	28			1.90	5.4	855			258.18	28	2.00					GS89 GSF89 GSA89 GSAF89	4P	36	143	38.23	4.2	1.00	6.3	747	222.40	28	2.10	6.8	689	202.96	28	2.20			7.4	608	189.09	15	1.65					4.0	1044	225.26	12	1.10	GS79 GSF79 GSA79 GSAF79	6P	43	122	32.48	4.1	1.10	4.3	999	214.00	12	1.15	4.8			891	189.09	13	1.30	5.6	774	161.60			14	1.45	5.4	801	256.47	14	1.45	GS79 GSF79 GSA79 GSAF79	4P	48	110	29.00	4.0	1.15	6.2	711	225.26	14	1.55	6.5	680	214.00	14	1.60	7.4	608
95	41	28.76	2.3	1.15	GS39 GSF39 GSA39 GSAF39	2P	7.3	563	190.11			7.2	0.80	GS69 GSF69 GSA69 GSAF69			4P																																																																																																																																																																																																																																																																																																																																																																																																																																																																
108	37	25.38	2.2	1.20			122	33	22.50			2.2	1.25					143			28					19.13	2.0	1.30			145	28					18.85					2.0			1.30			166	24	16.48	1.9	1.35	177	23	15.45	1.9	1.35	201	21	13.63	1.9	1.45	227	18	12.08	1.7	1.50	267	15	10.27	1.7	1.60	0.63	8406	2208	40	0.85	GS109R79 GSF109R79 GSA109R79 GSAF109R79	4P	13	329	71.75	6.1	0.80	GS59 GSF59 GSA59 GSAF59	6P	0.71	6628		1950	40		1.00	1.1	4419	1223	20	0.85	1.3	3870		1070		29	1.00	GS99R59 GSF99R59 GSA99R59 GSAF99R59	4P	13	329	110.73	6.1	0.80	GS59 GSF59 GSA59 GSAF59	4P	1.5	3339	928	32	1.15	1.7		2943	824						33	1.30	1.9	2097							714	34					1.75					2.2	2232	626	34	1.70	2.6	1917	538	34	1.85	2.9	1737	484	34	1.95	1.3			2754	1032	18	0.90	GS89R59 GSF89R59 GSA89R59 GSAF89R59			4P	15			284	94.08	6.6	0.95	GS59 GSF59 GSA59 GSAF59			4P	1.5			2538	930							25	1.00	1.7							2286	831	26	1.10	1.9			1998	719	27	1.25	2.2	1746	624	27	1.40	2.5	1575	558	27	1.45	3.2	1260	435	28	1.60	4.3	963	323	28	1.85	4.3	1125	327	11	1.05	GS79R39 GSF79R39 GSA79R39 GSAF79R39	4P	31	167	44.23	7.5	1.35	GS49 GSF49 GSA49 GSAF49			4P	4.8		1008	289	12	1.15		5.6	873	250				13	1.30	6.3	774				219	14	1.40			2.4	1836	286.40	34	1.90	GS99 GSF99 GSA99 GSAF99	8P	29	175	47.32	4.3	0.80	GS49 GSF49 GSA49 GSAF49	4P			2.6	1701	262.22	34	1.95	3.0	1521	231.67	35	2.05	3.2	1386						288.00	28		1.60	GS89 GSF89 GSA89 GSAF89	6P	31	164			44.23	4.3	0.85	3.5	1260	258.18	28	1.65	4.1			1098			222.40	28	1.80	4.5	1008			202.96	28	1.85	4.8	945	288.00	28	1.90	5.4	855	258.18	28	2.00	GS89 GSF89 GSA89 GSAF89	4P	36	143	38.23	4.2	1.00	6.3	747	222.40	28	2.10	6.8	689	202.96	28	2.20	7.4			608	189.09	15	1.65	4.0	1044	225.26			12	1.10	GS79 GSF79 GSA79 GSAF79	6P	43	122	32.48	4.1	1.10	4.3	999	214.00	12	1.15	4.8	891	189.09	13	1.30	5.6	774	161.60		14	1.45		5.4	801	256.47	14	1.45			GS79 GSF79 GSA79 GSAF79	4P	48	110	29.00	4.0	1.15	6.2	711	225.26	14			1.55	6.5	680	214.00	14	1.60	7.4			608	189.09	15	1.65	208	28	13.63			1.7	1.25	234	24	12.08	1.7	1.30	276	21	10.27	1.7	1.35					
122	33	22.50	2.2	1.25			143	28	19.13			2.0	1.30					145			28					18.85	2.0	1.30			166	24					16.48					1.9			1.35			177	23	15.45	1.9	1.35	201	21	13.63	1.9	1.45	227	18	12.08	1.7	1.50	267	15	10.27	1.7	1.60	0.63	8406	2208	40	0.85	GS109R79 GSF109R79 GSA109R79 GSAF109R79	4P	13	329	71.75			6.1	0.80	GS59 GSF59 GSA59 GSAF59	6P	0.71			6628	1950	40	1.00	1.1	4419	1223	20	0.85	1.3	3870	1070	29	1.00	GS99R59 GSF99R59 GSA99R59 GSAF99R59	4P	13	329	110.73			6.1	0.80	GS59 GSF59 GSA59 GSAF59	4P	1.5			3339	928	32	1.15	1.7	2943		824	33				1.30	1.9	2097	714	34	1.75				2.2	2232		626	34					1.70					2.6	1917	538	34	1.85	2.9	1737	484	34	1.95	1.3	2754	1032	18	0.90	GS89R59 GSF89R59 GSA89R59 GSAF89R59	4P	15	284	94.08	6.6	0.95		GS59 GSF59 GSA59 GSAF59	4P		1.5			2538	930	25	1.00					1.7			2286	831							26	1.10	1.9							1998	719	27	1.25	2.2			1746	624	27	1.40	2.5	1575	558	27	1.45	3.2	1260	435	28	1.60	4.3	963	323	28	1.85	4.3	1125	327	11	1.05	GS79R39 GSF79R39 GSA79R39 GSAF79R39	4P	31	167	44.23			7.5	1.35	GS49 GSF49 GSA49 GSAF49	4P	4.8					1008	289	12	1.15	5.6	873	250	13	1.30	6.3			774	219	14	1.40	2.4	1836			286.40	34	1.90			GS99 GSF99 GSA99 GSAF99	8P	29	175	47.32			4.3	0.80	GS49 GSF49 GSA49 GSAF49	4P	2.6					1701	262.22	34	1.95	3.0	1521	231.67	35	2.05	3.2	1386	288.00	28			1.60		GS89 GSF89 GSA89 GSAF89	6P		31			164	44.23			4.3	0.85	3.5	1260	258.18	28	1.65	4.1	1098	222.40	28	1.80			4.5	1008	202.96	28	1.85			4.8	945	288.00	28	1.90	5.4	855	258.18	28	2.00	GS89 GSF89 GSA89 GSAF89	4P	36			143	38.23	4.2	1.00	6.3	747	222.40	28	2.10	6.8	689	202.96	28	2.20	7.4	608	189.09	15	1.65	4.0	1044	225.26	12	1.10	GS79 GSF79 GSA79 GSAF79			6P	43			122	32.48	4.1	1.10	4.3	999	214.00	12	1.15	4.8	891	189.09	13	1.30	5.6	774	161.60	14	1.45	5.4	801	256.47	14	1.45	GS79 GSF79 GSA79 GSAF79	4P	48					110	29.00	4.0	1.15	6.2	711	225.26	14	1.55	6.5	680	214.00	14	1.60	7.4	608	189.09	15			1.65	208	28	13.63	1.7	1.25	234			24	12.08	1.7	1.30	276	21	10.27	1.7	1.35								
143	28	19.13	2.0	1.30			145	28	18.85			2.0	1.30					166			24					16.48	1.9	1.35			177	23					15.45					1.9			1.35			201	21	13.63	1.9	1.45	227	18	12.08	1.7	1.50	267	15	10.27	1.7	1.60	0.63	8406	2208	40	0.85	GS109R79 GSF109R79 GSA109R79 GSAF109R79	4P	13	329	71.75			6.1	0.80	GS59 GSF59 GSA59 GSAF59			6P	0.71			6628			1950	40	1.00	1.1	4419	1223	20	0.85	1.3	3870	1070	29	1.00	GS99R59 GSF99R59 GSA99R59 GSAF99R59			4P	13	329			110.73	6.1			0.80			GS59 GSF59 GSA59 GSAF59	4P	1.5	3339	928	32		1.15	1.7				2943	824	33	1.30	1.9	2097		714	34	1.75	2.2		2232	626			34	1.70	2.6					1917	538	34	1.85	2.9	1737	484	34	1.95	1.3	2754	1032	18	0.90	GS89R59 GSF89R59 GSA89R59 GSAF89R59			4P	15	284	94.08	6.6					0.95	GS59 GSF59 GSA59 GSAF59	4P	1.5	2538	930	25		1.00	1.7		2286			831	26							1.10	1.9	1998							719	27	1.25	2.2	1746			624	27	1.40	2.5	1575	558	27	1.45	3.2	1260	435	28	1.60	4.3	963	323	28	1.85	4.3	1125	327	11	1.05	GS79R39 GSF79R39 GSA79R39 GSAF79R39			4P	31	167			44.23	7.5			1.35					GS49 GSF49 GSA49 GSAF49	4P	4.8	1008	289	12	1.15	5.6	873	250	13	1.30	6.3	774	219	14	1.40	2.4			1836	286.40	34	1.90	GS99 GSF99 GSA99 GSAF99			8P	29	175			47.32	4.3			0.80					GS49 GSF49 GSA49 GSAF49	4P	2.6	1701	262.22	34	1.95	3.0	1521	231.67	35	2.05	3.2			1386					288.00			28	1.60			GS89 GSF89 GSA89 GSAF89	6P	31	164	44.23	4.3	0.85	3.5	1260	258.18	28	1.65	4.1	1098	222.40	28	1.80	4.5	1008			202.96	28	1.85	4.8	945	288.00	28	1.90	5.4	855			258.18			28	2.00	GS89 GSF89 GSA89 GSAF89	4P	36	143	38.23	4.2	1.00	6.3	747	222.40	28	2.10	6.8	689	202.96	28	2.20	7.4	608	189.09	15	1.65		4.0	1044		225.26			12	1.10	GS79 GSF79 GSA79 GSAF79	6P	43	122	32.48	4.1	1.10	4.3	999	214.00	12	1.15	4.8	891	189.09	13	1.30	5.6	774	161.60	14	1.45			5.4	801	256.47			14	1.45	GS79 GSF79 GSA79 GSAF79	4P	48	110	29.00	4.0	1.15	6.2	711	225.26	14	1.55	6.5	680	214.00	14	1.60	7.4	608	189.09	15	1.65	208	28	13.63			1.7	1.25	234	24	12.08	1.7	1.30	276	21	10.27	1.7	1.35					
145	28	18.85	2.0	1.30			166	24	16.48			1.9	1.35					177			23					15.45	1.9	1.35			201	21					13.63					1.9			1.45			227	18	12.08	1.7	1.50	267	15	10.27	1.7	1.60	0.63	8406	2208	40	0.85	GS109R79 GSF109R79 GSA109R79 GSAF109R79	4P	13	329	71.75			6.1	0.80	GS59 GSF59 GSA59 GSAF59			6P	0.71		6628	1950		40			1.00	1.1	4419	1223	20	0.85	1.3	3870	1070	29	1.00	GS99R59 GSF99R59 GSA99R59 GSAF99R59	4P	13	329	110.73					6.1	0.80			GS59 GSF59 GSA59 GSAF59	4P			1.5					3339	928	32	1.15		1.7	2943				824	33	1.30	1.9	2097	714	34	1.75	2.2	2232	626	34	1.70	2.6			1917	538	34	1.85	2.9			1737	484	34	1.95	1.3	2754	1032	18	0.90	GS89R59 GSF89R59 GSA89R59 GSAF89R59	4P	15	284	94.08					6.6	0.95	GS59 GSF59 GSA59 GSAF59	4P					1.5			2538	930	25	1.00		1.7	2286		831	26	1.10	1.9	1998				719	27		1.25	2.2	1746							624	27	1.40	2.5	1575			558	27	1.45	3.2	1260	435	28	1.60	4.3	963	323	28	1.85	4.3	1125	327	11	1.05	GS79R39 GSF79R39 GSA79R39 GSAF79R39	4P	31	167	44.23					7.5	1.35			GS49 GSF49 GSA49 GSAF49	4P			4.8							1008	289	12	1.15	5.6	873	250	13	1.30	6.3	774	219	14	1.40	2.4	1836			286.40	34	1.90	GS99 GSF99 GSA99 GSAF99					8P	29	175	47.32	4.3	0.80			GS49 GSF49 GSA49 GSAF49							4P	2.6	1701	262.22	34	1.95	3.0	1521	231.67	35	2.05			3.2					1386			288.00	28					1.60	GS89 GSF89 GSA89 GSAF89	6P	31	164	44.23	4.3	0.85	3.5	1260	258.18	28	1.65	4.1	1098	222.40	28	1.80	4.5	1008	202.96	28	1.85	4.8	945	288.00	28	1.90	5.4			855			258.18	28			2.00	GS89 GSF89 GSA89 GSAF89	4P	36	143	38.23	4.2	1.00	6.3	747	222.40	28	2.10	6.8	689	202.96	28	2.20	7.4	608		189.09	15		1.65			4.0	1044			225.26	12	1.10	GS79 GSF79 GSA79 GSAF79	6P	43	122	32.48	4.1	1.10	4.3	999	214.00	12	1.15	4.8	891	189.09	13	1.30			5.6	774	161.60			14	1.45			5.4	801	256.47	14	1.45	GS79 GSF79 GSA79 GSAF79	4P	48	110	29.00	4.0	1.15	6.2	711	225.26	14	1.55	6.5	680	214.00	14	1.60	7.4	608	189.09	15	1.65	208	28	13.63	1.7	1.25	234	24	12.08	1.7	1.30	276	21	10.27	1.7	1.35
166	24	16.48	1.9	1.35			177	23	15.45			1.9	1.35					201			21					13.63	1.9	1.45			227	18					12.08		1.7	1.50		267			15	10.27	1.7	1.60	0.63	8406	2208	40	0.85	GS109R79 GSF109R79 GSA109R79 GSAF109R79	4P	13	329	71.75	6.1	0.80	GS59 GSF59 GSA59 GSAF59	6P			0.71	6628	1950			40	1.00		1.1	4419		1223		20	0.85		1.3	3870	1070	29	1.00	GS99R59 GSF99R59 GSA99R59 GSAF99R59	4P	13	329	110.73	6.1	0.80	GS59 GSF59 GSA59 GSAF59	4P			1.5	3339	928					32	1.15							1.7					2943	824	33	1.30		1.9	2097	714	34		1.75	2.2	2232	626	34	1.70	2.6	1917	538	34	1.85	2.9	1737	484	34	1.95	1.3	2754	1032	18	0.90			GS89R59 GSF89R59 GSA89R59 GSAF89R59	4P	15	284	94.08	6.6	0.95	GS59 GSF59 GSA59 GSAF59	4P			1.5	2538	930					25	1.00							1.7			2286	831	26	1.10		1.9	1998		719	27	1.25	2.2	1746		624	27	1.40	2.5		1575	558	27		1.45	3.2				1260	435	28	1.60	4.3			963	323	28	1.85	4.3	1125	327	11	1.05	GS79R39 GSF79R39 GSA79R39 GSAF79R39	4P	31	167	44.23	7.5	1.35	GS49 GSF49 GSA49 GSAF49	4P			4.8	1008	289					12	1.15	5.6	873					250	13			1.30			6.3	774	219	14	1.40	2.4	1836	286.40	34	1.90	GS99 GSF99 GSA99 GSAF99	8P	29	175	47.32	4.3			0.80	GS49 GSF49 GSA49 GSAF49	4P			2.6	1701			262.22	34	1.95	3.0	1521											231.67	35	2.05	3.2	1386	288.00	28	1.60	GS89 GSF89 GSA89 GSAF89	6P			31					164			44.23	4.3					0.85			3.5	1260	258.18	28	1.65	4.1	1098	222.40	28	1.80	4.5	1008	202.96	28	1.85	4.8	945	288.00	28	1.90	5.4	855	258.18	28	2.00	GS89 GSF89 GSA89 GSAF89			4P	36	143	38.23	4.2			1.00			6.3	747	222.40	28	2.10	6.8	689	202.96	28	2.20	7.4	608	189.09	15	1.65	4.0	1044		225.26	12		1.10	GS79 GSF79 GSA79 GSAF79	6P	43	122			32.48	4.1	1.10			4.3	999	214.00	12	1.15	4.8	891	189.09	13	1.30	5.6	774	161.60	14	1.45			5.4	801	256.47			14	1.45			GS79 GSF79 GSA79 GSAF79	4P	48	110	29.00			4.0	1.15	6.2	711	225.26	14	1.55	6.5	680	214.00	14	1.60	7.4	608	189.09	15	1.65	208	28	13.63	1.7	1.25	234	24	12.08	1.7	1.30	276	21	10.27	1.7	1.35			
177	23	15.45	1.9	1.35			201	21	13.63			1.9	1.45					227			18					12.08	1.7	1.50			267	15		10.27	1.7		1.60		0.63	8406		2208	40	0.85	GS109R79 GSF109R79 GSA109R79 GSAF109R79	4P	13	329	71.75	6.1	0.80	GS59 GSF59 GSA59 GSAF59	6P			0.71	6628	1950	40	1.00					1.1	4419	1223	20	0.85	1.3	3870		1070	29		1.00	GS99R59 GSF99R59 GSA99R59 GSAF99R59	4P	13	329	110.73	6.1	0.80	GS59 GSF59 GSA59 GSAF59	4P			1.5	3339	928	32	1.15					1.7	2943	824					33	1.30							1.9					2097	714	34	1.75	2.2	2232	626	34	1.70	2.6	1917	538	34	1.85	2.9	1737	484	34	1.95	1.3	2754	1032	18	0.90	GS89R59 GSF89R59 GSA89R59 GSAF89R59	4P	15	284	94.08	6.6	0.95	GS59 GSF59 GSA59 GSAF59	4P			1.5	2538	930	25	1.00					1.7	2286	831					26	1.10							1.9			1998	719	27	1.25		2.2	1746		624	27	1.40	2.5	1575	558	27	1.45	3.2	1260	435	28	1.60	4.3		963	323		28	1.85	4.3	1125	327	11	1.05			GS79R39 GSF79R39 GSA79R39 GSAF79R39	4P	31	167	44.23	7.5	1.35	GS49 GSF49 GSA49 GSAF49	4P			4.8	1008	289	12	1.15					5.6	873	250		13	1.30		6.3	774	219	14			1.40	2.4	1836	286.40			34			1.90	GS99 GSF99 GSA99 GSAF99	8P	29	175	47.32	4.3	0.80	GS49 GSF49 GSA49 GSAF49	4P			2.6	1701	262.22	34			1.95				3.0	1521	231.67	35		2.05	3.2	1386	288.00	28											1.60	GS89 GSF89 GSA89 GSAF89	6P	31	164	44.23	4.3	0.85					3.5					1260	258.18	28	1.65	4.1					1098			222.40	28	1.80	4.5	1008	202.96	28	1.85	4.8	945	288.00	28	1.90	5.4	855	258.18	28	2.00	GS89 GSF89 GSA89 GSAF89	4P	36	143	38.23	4.2	1.00		6.3	747		222.40	28	2.10	6.8			689			202.96	28	2.20	7.4	608	189.09	15	1.65	4.0	1044	225.26	12	1.10	GS79 GSF79 GSA79 GSAF79	6P	43	122	32.48	4.1	1.10	4.3	999			214.00	12			1.15	4.8	891			189.09	13	1.30	5.6	774	161.60	14	1.45	5.4	801	256.47	14	1.45	GS79 GSF79 GSA79 GSAF79	4P			48	110	29.00	4.0	1.15	6.2	711					225.26	14	1.55			6.5	680	214.00	14	1.60	7.4	608	189.09	15	1.65	208	28	13.63	1.7	1.25	234	24	12.08	1.7	1.30	276	21	10.27	1.7	1.35										
201	21	13.63	1.9	1.45			227	18	12.08			1.7	1.50					267			15					10.27	1.7	1.60	0.63	8406	2208	40		0.85	GS109R79 GSF109R79 GSA109R79 GSAF109R79		4P	13	329	71.75	6.1	0.80	GS59 GSF59 GSA59 GSAF59	6P			0.71	6628	1950	40	1.00					1.1	4419	1223	20	0.85			1.3	3870	1070	29	1.00	GS99R59 GSF99R59 GSA99R59 GSAF99R59	4P	13	329	110.73	6.1	0.80	GS59 GSF59 GSA59 GSAF59	4P			1.5	3339	928	32	1.15					1.7	2943	824	33	1.30					1.9	2097	714					34	1.75							2.2					2232	626	34	1.70	2.6	1917	538	34	1.85	2.9	1737	484	34	1.95	1.3	2754	1032	18	0.90	GS89R59 GSF89R59 GSA89R59 GSAF89R59	4P	15	284	94.08			6.6	0.95	GS59 GSF59 GSA59 GSAF59	4P	1.5					2538	930	25	1.00	1.7					2286	831	26					1.10	1.9							1998			719	27	1.25	2.2		1746	624		27	1.40	2.5	1575	558	27	1.45	3.2	1260	435	28	1.60	4.3	963	323	28	1.85	4.3	1125	327	11	1.05	GS79R39 GSF79R39 GSA79R39 GSAF79R39	4P	31	167	44.23			7.5	1.35	GS49 GSF49 GSA49 GSAF49	4P	4.8					1008	289	12	1.15	5.6					873	250	13	1.30	6.3	774	219	14	1.40	2.4	1836			286.40	34	1.90	GS99 GSF99 GSA99 GSAF99	8P	29	175	47.32	4.3	0.80			GS49 GSF49 GSA49 GSAF49	4P	2.6	1701	262.22					34	1.95	3.0	1521			231.67			35	2.05	3.2	1386	288.00	28	1.60	GS89 GSF89 GSA89 GSAF89	6P	31	164											44.23			4.3	0.85	3.5	1260	258.18					28		1.65	4.1		1098	222.40	28	1.80	4.5					1008			202.96	28	1.85	4.8	945	288.00	28	1.90	5.4	855	258.18	28	2.00	GS89 GSF89 GSA89 GSAF89	4P	36	143	38.23			4.2	1.00	6.3	747	222.40		28	2.10		6.8	689	202.96	28	2.20	7.4	608			189.09	15	1.65	4.0	1044	225.26	12	1.10	GS79 GSF79 GSA79 GSAF79	6P	43	122	32.48			4.1	1.10	4.3	999	214.00	12	1.15			4.8	891	189.09	13	1.30	5.6	774			161.60	14	1.45	5.4	801	256.47	14	1.45	GS79 GSF79 GSA79 GSAF79	4P	48	110	29.00			4.0	1.15	6.2	711	225.26	14	1.55	6.5	680					214.00	14	1.60			7.4	608	189.09	15	1.65	208	28	13.63	1.7	1.25	234	24	12.08	1.7	1.30	276	21	10.27	1.7	1.35															
227	18	12.08	1.7	1.50			267	15	10.27			1.7	1.60					0.63			8406			2208	40	0.85	GS109R79 GSF109R79 GSA109R79 GSAF109R79	4P	13	329	71.75	6.1	0.80	GS59 GSF59 GSA59 GSAF59		6P		0.71	6628	1950	40	1.00					1.1	4419	1223	20	0.85			1.3	3870	1070	29	1.00	GS99R59 GSF99R59 GSA99R59 GSAF99R59	4P	13	329	110.73	6.1	0.80	GS59 GSF59 GSA59 GSAF59	4P			1.5	3339	928	32	1.15					1.7	2943	824	33	1.30					1.9	2097	714	34	1.75					2.2	2232	626					34	1.70	2.6	1917					538	34	1.85			2.9	1737	484	34	1.95	1.3	2754	1032	18	0.90	GS89R59 GSF89R59 GSA89R59 GSAF89R59	4P	15	284	94.08	6.6	0.95	GS59 GSF59 GSA59 GSAF59	4P			1.5	2538	930			25	1.00			1.7					2286	831	26	1.10	1.9					1998	719	27					1.25	2.2							1746			624	27	1.40	2.5		1575	558		27	1.45	3.2	1260	435	28	1.60	4.3	963	323	28	1.85	4.3	1125	327	11	1.05	GS79R39 GSF79R39 GSA79R39 GSAF79R39	4P	31	167	44.23			7.5	1.35	GS49 GSF49 GSA49 GSAF49			4P	4.8			1008					289	12	1.15	5.6	873			250	13	1.30	6.3	774	219	14	1.40	2.4	1836	286.40	34	1.90	GS99 GSF99 GSA99 GSAF99	8P	29	175	47.32			4.3	0.80	GS49 GSF49 GSA49 GSAF49	4P	2.6					1701	262.22	34			1.95	3.0	1521	231.67	35	2.05	3.2	1386	288.00			28	1.60	GS89 GSF89 GSA89 GSAF89	6P	31	164	44.23			4.3	0.85											3.5			1260	258.18	28	1.65	4.1					1098		222.40	28		1.80	4.5	1008	202.96	28			1.85	4.8	945			288.00	28	1.90	5.4	855	258.18	28	2.00	GS89 GSF89 GSA89 GSAF89	4P	36	143	38.23			4.2	1.00	6.3			747	222.40	28	2.10	6.8		689	202.96		28	2.20	7.4	608	189.09	15	1.65	4.0	1044	225.26	12	1.10	GS79 GSF79 GSA79 GSAF79	6P	43	122	32.48			4.1	1.10	4.3			999	214.00	12	1.15	4.8	891	189.09			13	1.30	5.6	774	161.60	14	1.45	5.4	801	256.47	14	1.45	GS79 GSF79 GSA79 GSAF79	4P	48	110	29.00			4.0	1.15	6.2			711	225.26	14	1.55	6.5	680	214.00	14	1.60	7.4	608			189.09	15	1.65			208	28	13.63	1.7	1.25	234	24	12.08	1.7	1.30	276	21	10.27	1.7	1.35																				
267	15	10.27	1.7	1.60			0.63	8406	2208			40	0.85		GS109R79 GSF109R79 GSA109R79 GSAF109R79	4P		13			329	71.75	6.1	0.80	GS59 GSF59 GSA59 GSAF59	6P			0.71	6628	1950	40	1.00					1.1	4419	1223	20	0.85			1.3	3870	1070	29	1.00	GS99R59 GSF99R59 GSA99R59 GSAF99R59	4P	13	329	110.73	6.1	0.80	GS59 GSF59 GSA59 GSAF59	4P			1.5	3339	928	32	1.15					1.7	2943	824	33	1.30					1.9	2097	714	34	1.75					2.2	2232	626	34	1.70					2.6	1917	538		34	1.85		2.9	1737	484	34			1.95	1.3	2754	1032	18			0.90	GS89R59 GSF89R59 GSA89R59 GSAF89R59	4P	15	284	94.08	6.6	0.95	GS59 GSF59 GSA59 GSAF59	4P			1.5	2538	930	25	1.00					1.7	2286	831			26	1.10			1.9					1998	719	27	1.25	2.2					1746	624	27					1.40	2.5			1575			558	27			1.45	3.2	1260	435	28	1.60	4.3	963	323	28	1.85	4.3	1125	327	11	1.05	GS79R39 GSF79R39 GSA79R39 GSAF79R39	4P	31	167	44.23	7.5	1.35	GS49 GSF49 GSA49 GSAF49	4P			4.8	1008	289			12	1.15					5.6			873			250	13	1.30	6.3	774	219	14	1.40	2.4	1836	286.40	34	1.90	GS99 GSF99 GSA99 GSAF99	8P	29	175	47.32	4.3	0.80	GS49 GSF49 GSA49 GSAF49	4P			2.6	1701	262.22			34	1.95			3.0	1521	231.67			35	2.05	3.2			1386	288.00	28	1.60	GS89 GSF89 GSA89 GSAF89	6P	31	164	44.23			4.3	0.85			3.5	1260	258.18			28	1.65						4.1	1098				222.40			28	1.80	4.5	1008	202.96					28		1.85	4.8		945	288.00	28	1.90	5.4			855	258.18	28	2.00	GS89 GSF89 GSA89 GSAF89	4P	36	143	38.23	4.2	1.00	6.3	747			222.40	28	2.10			6.8	689	202.96			28	2.20	7.4	608	189.09	15	1.65	4.0	1044	225.26	12	1.10	GS79 GSF79 GSA79 GSAF79	6P	43	122	32.48	4.1	1.10	4.3	999			214.00	12	1.15			4.8	891	189.09			13	1.30	5.6	774	161.60	14	1.45	5.4	801	256.47	14	1.45	GS79 GSF79 GSA79 GSAF79	4P	48	110	29.00	4.0	1.15	6.2	711			225.26	14	1.55			6.5	680	214.00			14	1.60	7.4	608	189.09	15	1.65	208	28	13.63	1.7			1.25	234	24	12.08	1.7	1.30	276	21	10.27	1.7	1.35																													
0.63	8406	2208	40	0.85			GS109R79 GSF109R79 GSA109R79 GSAF109R79	4P	13	329	71.75	6.1	0.80					GS59 GSF59 GSA59 GSAF59	6P																																																																																																																																																																																																																																																																																																																																																																																																																																																														
0.71	6628	1950	40	1.00	1.1	4419			1223	20	0.85	1.3	3870	1070			29			1.00	GS99R59 GSF99R59 GSA99R59 GSAF99R59	4P	13	329			110.73	6.1	0.80	GS59 GSF59 GSA59 GSAF59	4P	1.5	3339	928	32	1.15	1.7	2943	824	33	1.30	1.9	2097	714	34	1.75	2.2	2232	626			34	1.70	2.6	1917	538					34	1.85	2.9	1737	484					34	1.95	1.3	2754	1032					18	0.90	GS89R59 GSF89R59 GSA89R59 GSAF89R59	4P	15					284	94.08	6.6	0.95	GS59 GSF59 GSA59 GSAF59			4P	1.5	2538	930	25	1.00	1.7	2286	831	26	1.10	1.9	1998	719	27	1.25	2.2	1746	624	27	1.40	2.5	1575			558	27	1.45	3.2	1260					435	28	1.60	4.3	963					323	28	1.85			4.3	1125			327					11	1.05	GS79R39 GSF79R39 GSA79R39 GSAF79R39	4P	31					167	44.23	7.5	1.35	GS49 GSF49 GSA49 GSAF49	4P	4.8	1008	289			12	1.15	5.6	873	250	13	1.30	6.3	774	219	14	1.40	2.4	1836	286.40	34	1.90	GS99 GSF99 GSA99 GSAF99	8P	29	175	47.32	4.3			0.80	GS49 GSF49 GSA49 GSAF49	4P	2.6	1701					262.22	34	1.95	3.0	1521	231.67	35		2.05	3.2		1386	288.00	28	1.60	GS89 GSF89 GSA89 GSAF89	6P	31	164	44.23	4.3	0.85	3.5	1260	258.18	28	1.65	4.1	1098	222.40			28	1.80	4.5	1008	202.96			28	1.85	4.8	945	288.00	28	1.90	5.4	855			258.18	28	2.00			GS89 GSF89 GSA89 GSAF89	4P	36			143	38.23	4.2	1.00			6.3	747	222.40			28	2.10			6.8	689	202.96			28	2.20						7.4	608				189.09	15	1.65	4.0	1044	225.26	12	1.10	GS79 GSF79 GSA79 GSAF79	6P	43	122	32.48	4.1	1.10	4.3	999	214.00	12	1.15	4.8	891			189.09	13	1.30	5.6			774	161.60	14	1.45	5.4	801	256.47			14	1.45	GS79 GSF79 GSA79 GSAF79	4P	48	110	29.00	4.0	1.15	6.2	711	225.26	14	1.55	6.5	680	214.00	14	1.60	7.4	608	189.09			15	1.65	208	28	13.63	1.7	1.25			234	24	12.08	1.7	1.30	276	21	10.27	1.7	1.35																																																																																						
1.1	4419	1223	20	0.85	1.3	3870			1070	29	1.00	GS99R59 GSF99R59 GSA99R59 GSAF99R59	4P	13	329	110.73	6.1			0.80			GS59 GSF59 GSA59 GSAF59	4P	1.5	3339	928	32	1.15			1.7	2943	824	33	1.30	1.9	2097	714	34	1.75	2.2	2232	626	34	1.70	2.6	1917	538			34	1.85	2.9	1737	484					34	1.95	1.3	2754	1032					18	0.90	GS89R59 GSF89R59 GSA89R59 GSAF89R59	4P	15					284	94.08			6.6			0.95	GS59 GSF59 GSA59 GSAF59	4P	1.5	2538	930		25	1.00		1.7	2286	831	26	1.10	1.9	1998	719	27	1.25	2.2	1746	624	27	1.40	2.5	1575	558	27	1.45	3.2	1260			435	28	1.60	4.3	963					323	28	1.85	4.3	1125					327	11	1.05			GS79R39 GSF79R39 GSA79R39 GSAF79R39	4P			31					167	44.23			7.5			1.35	GS49 GSF49 GSA49 GSAF49	4P	4.8	1008	289			12	1.15	5.6	873	250	13	1.30	6.3	774	219	14	1.40	2.4	1836	286.40	34	1.90	GS99 GSF99 GSA99 GSAF99	8P	29	175	47.32			4.3	0.80	GS49 GSF49 GSA49 GSAF49	4P			2.6			1701	262.22			34	1.95	3.0	1521	231.67	35	2.05	3.2	1386	288.00	28	1.60	GS89 GSF89 GSA89 GSAF89	6P	31	164	44.23			4.3	0.85	3.5	1260	258.18	28	1.65	4.1	1098	222.40	28	1.80	4.5	1008	202.96	28	1.85	4.8	945	288.00			28	1.90	5.4	855	258.18	28	2.00	GS89 GSF89 GSA89 GSAF89	4P			36	143	38.23					4.2			1.00	6.3	747	222.40			28	2.10	6.8			689	202.96			28	2.20	7.4	608	189.09	15	1.65						4.0	1044				225.26	12	1.10	GS79 GSF79 GSA79 GSAF79	6P	43	122	32.48			4.1	1.10	4.3	999	214.00	12	1.15	4.8	891	189.09	13	1.30	5.6	774	161.60	14	1.45	5.4			801	256.47	14	1.45	GS79 GSF79 GSA79 GSAF79	4P	48	110	29.00	4.0	1.15			6.2	711	225.26	14	1.55	6.5	680	214.00	14	1.60	7.4	608	189.09	15	1.65	208	28	13.63			1.7	1.25	234	24	12.08	1.7	1.30	276	21	10.27	1.7	1.35																																																																																													
1.3	3870	1070	29	1.00	GS99R59 GSF99R59 GSA99R59 GSAF99R59	4P	13	329	110.73	6.1	0.80			GS59 GSF59 GSA59 GSAF59	4P																																																																																																																																																																																																																																																																																																																																																																																																																																																																		
1.5	3339	928	32	1.15			1.7	2943	824	33	1.30					1.9	2097	714	34	1.75					2.2	2232	626	34	1.70			2.6	1917	538	34	1.85	2.9	1737	484	34	1.95	1.3	2754	1032	18	0.90	GS89R59 GSF89R59 GSA89R59 GSAF89R59	4P	15			284	94.08	6.6	0.95	GS59 GSF59 GSA59 GSAF59					4P	1.5	2538	930	25			1.00	1.7	2286	831			26	1.10	1.9	1998	719	27	1.25			2.2	1746	624	27			1.40	2.5	1575		558	27		1.45	3.2	1260	435	28	1.60	4.3	963	323	28	1.85	4.3	1125	327	11	1.05	GS79R39 GSF79R39 GSA79R39 GSAF79R39	4P	31	167	44.23	7.5			1.35	GS49 GSF49 GSA49 GSAF49	4P	4.8	1008					289	12	1.15	5.6	873					250	13	1.30	6.3	774					219	14	1.40	2.4	1836	286.40	34			1.90	GS99 GSF99 GSA99 GSAF99	8P	29			175	47.32	4.3			0.80	GS49 GSF49 GSA49 GSAF49	4P	2.6	1701	262.22	34	1.95	3.0	1521	231.67	35	2.05	3.2	1386	288.00	28			1.60	GS89 GSF89 GSA89 GSAF89	6P	31	164	44.23	4.3			0.85	3.5	1260			258.18	28	1.65	4.1	1098	222.40	28	1.80	4.5	1008	202.96	28	1.85	4.8	945	288.00			28	1.90	5.4			855	258.18	28	2.00	GS89 GSF89 GSA89 GSAF89	4P	36	143	38.23	4.2	1.00	6.3	747	222.40	28	2.10	6.8	689	202.96	28			2.20	7.4	608	189.09	15	1.65	4.0					1044	225.26	12					1.10			GS79 GSF79 GSA79 GSAF79	6P	43	122	32.48	4.1	1.10	4.3	999			214.00	12	1.15	4.8	891	189.09	13	1.30	5.6	774	161.60				14	1.45	5.4	801				256.47	14	1.45			GS79 GSF79 GSA79 GSAF79	4P	48			110	29.00	4.0	1.15	6.2	711	225.26	14	1.55	6.5	680	214.00	14	1.60	7.4	608	189.09	15	1.65	208	28	13.63	1.7	1.25			234	24	12.08	1.7	1.30			276	21	10.27	1.7	1.35																																																																																																																								
1.7	2943	824	33	1.30			1.9	2097	714	34	1.75					2.2	2232	626	34	1.70					2.6	1917	538	34	1.85			2.9	1737	484	34	1.95	1.3	2754	1032	18	0.90	GS89R59 GSF89R59 GSA89R59 GSAF89R59	4P	15	284	94.08			6.6			0.95	GS59 GSF59 GSA59 GSAF59	4P	1.5				2538	930		25	1.00	1.7	2286	831	26	1.10	1.9	1998	719			27	1.25	2.2	1746	624	27	1.40			2.5	1575	558	27			1.45	3.2	1260		435	28		1.60	4.3	963	323	28	1.85	4.3	1125	327	11	1.05	GS79R39 GSF79R39 GSA79R39 GSAF79R39	4P	31	167	44.23			7.5	1.35	GS49 GSF49 GSA49 GSAF49	4P			4.8			1008	289					12	1.15	5.6	873	250			13	1.30	6.3	774	219	14	1.40			2.4	1836	286.40	34	1.90	GS99 GSF99 GSA99 GSAF99	8P	29	175	47.32	4.3	0.80			GS49 GSF49 GSA49 GSAF49			4P	2.6	1701	262.22	34	1.95			3.0	1521	231.67	35	2.05	3.2	1386	288.00	28	1.60	GS89 GSF89 GSA89 GSAF89	6P	31	164	44.23	4.3	0.85			3.5	1260	258.18	28			1.65	4.1	1098			222.40	28	1.80	4.5	1008	202.96	28	1.85	4.8	945	288.00	28	1.90	5.4	855	258.18			28	2.00	GS89 GSF89 GSA89 GSAF89			4P	36	143	38.23			4.2	1.00	6.3	747	222.40	28	2.10	6.8	689	202.96	28	2.20	7.4	608			189.09	15	1.65	4.0	1044	225.26	12					1.10	GS79 GSF79 GSA79 GSAF79	6P			43	122	32.48					4.1	1.10	4.3	999	214.00	12	1.15			4.8	891	189.09	13	1.30	5.6	774	161.60	14	1.45	5.4	801	256.47		14	1.45	GS79 GSF79 GSA79 GSAF79	4P				48	110	29.00					4.0	1.15	6.2	711	225.26	14	1.55	6.5	680	214.00	14	1.60	7.4	608	189.09	15	1.65	208	28	13.63	1.7	1.25	234	24	12.08	1.7	1.30			276	21	10.27	1.7	1.35																																																																																																																															
1.9	2097	714	34	1.75			2.2	2232	626	34	1.70					2.6	1917	538	34	1.85					2.9	1737	484	34	1.95			1.3	2754	1032	18	0.90	GS89R59 GSF89R59 GSA89R59 GSAF89R59	4P	15	284	94.08			6.6	0.95	GS59 GSF59 GSA59 GSAF59			4P	1.5	2538	930			25		1.00	1.7	2286	831		26	1.10	1.9	1998	719	27	1.25	2.2	1746	624			27	1.40	2.5	1575	558	27	1.45			3.2	1260	435	28			1.60	4.3	963		323	28		1.85	4.3	1125	327	11	1.05	GS79R39 GSF79R39 GSA79R39 GSAF79R39	4P	31	167	44.23			7.5	1.35	GS49 GSF49 GSA49 GSAF49			4P	4.8					1008			289	12			1.15	5.6	873	250	13	1.30	6.3	774	219	14	1.40	2.4	1836	286.40	34	1.90	GS99 GSF99 GSA99 GSAF99	8P	29	175	47.32	4.3	0.80			GS49 GSF49 GSA49 GSAF49	4P	2.6	1701	262.22				34	1.95		3.0	1521	231.67	35	2.05			3.2	1386	288.00	28	1.60	GS89 GSF89 GSA89 GSAF89	6P	31	164	44.23			4.3	0.85	3.5	1260	258.18			28	1.65	4.1	1098			222.40	28	1.80			4.5	1008	202.96	28	1.85	4.8	945	288.00	28	1.90	5.4	855	258.18	28	2.00	GS89 GSF89 GSA89 GSAF89			4P	36		143	38.23		4.2	1.00	6.3			747	222.40	28	2.10	6.8	689	202.96	28	2.20	7.4	608	189.09	15	1.65			4.0	1044	225.26	12	1.10	GS79 GSF79 GSA79 GSAF79	6P	43	122			32.48					4.1	1.10	4.3					999	214.00	12	1.15	4.8	891	189.09			13	1.30	5.6	774	161.60	14	1.45	5.4	801	256.47	14	1.45	GS79 GSF79 GSA79 GSAF79		4P	48			110	29.00		4.0	1.15	6.2	711	225.26			14	1.55	6.5	680	214.00	14	1.60	7.4	608	189.09	15	1.65	208	28	13.63	1.7	1.25	234	24	12.08	1.7	1.30	276	21	10.27	1.7	1.35																																																																																																																																						
2.2	2232	626	34	1.70			2.6	1917	538	34	1.85					2.9	1737	484	34	1.95					1.3	2754	1032	18	0.90			GS89R59 GSF89R59 GSA89R59 GSAF89R59	4P	15	284	94.08			6.6	0.95	GS59 GSF59 GSA59 GSAF59			4P	1.5					2538	930	25			1.00		1.7	2286	831	26		1.10	1.9	1998	719	27	1.25	2.2	1746	624	27			1.40	2.5	1575	558	27	1.45	3.2			1260	435	28	1.60			4.3	963	323		28	1.85		4.3	1125	327	11	1.05	GS79R39 GSF79R39 GSA79R39 GSAF79R39			4P	31	167			44.23	7.5					1.35			GS49 GSF49 GSA49 GSAF49	4P	4.8			1008	289	12	1.15	5.6	873	250	13	1.30	6.3	774	219	14	1.40	2.4	1836	286.40	34	1.90	GS99 GSF99 GSA99 GSAF99			8P	29	175	47.32	4.3					0.80	GS49 GSF49 GSA49 GSAF49	4P	2.6	1701		262.22	34		1.95	3.0	1521	231.67	35			2.05	3.2	1386	288.00	28			1.60	GS89 GSF89 GSA89 GSAF89	6P			31	164	44.23	4.3	0.85			3.5	1260	258.18	28			1.65	4.1	1098			222.40	28	1.80	4.5	1008	202.96	28	1.85	4.8	945	288.00	28	1.90	5.4	855		258.18	28		2.00		GS89 GSF89 GSA89 GSAF89	4P		36	143	38.23			4.2	1.00	6.3	747	222.40	28	2.10	6.8	689	202.96	28	2.20	7.4	608			189.09	15	1.65	4.0	1044			225.26	12			1.10					GS79 GSF79 GSA79 GSAF79	6P	43					122	32.48	4.1	1.10	4.3	999	214.00			12	1.15	4.8	891	189.09	13	1.30	5.6	774	161.60	14	1.45		5.4		801			256.47	14	1.45	GS79 GSF79 GSA79 GSAF79	4P	48	110	29.00			4.0	1.15	6.2	711	225.26	14	1.55	6.5	680	214.00	14	1.60	7.4	608	189.09	15	1.65	208	28	13.63	1.7	1.25	234	24	12.08	1.7	1.30	276	21	10.27	1.7	1.35																																																																																																																																	
2.6	1917	538	34	1.85			2.9	1737	484	34	1.95					1.3	2754	1032	18	0.90	GS89R59 GSF89R59 GSA89R59 GSAF89R59	4P			15	284	94.08	6.6	0.95	GS59 GSF59 GSA59 GSAF59	4P			1.5	2538	930			25	1.00					1.7					2286	831	26			1.10		1.9	1998	719	27		1.25	2.2	1746	624	27	1.40	2.5	1575	558	27			1.45	3.2	1260	435	28	1.60	4.3			963	323	28	1.85			4.3	1125	327		11	1.05		GS79R39 GSF79R39 GSA79R39 GSAF79R39	4P	31	167	44.23					7.5	1.35			GS49 GSF49 GSA49 GSAF49	4P		4.8	1008		289					12	1.15	5.6	873	250	13	1.30	6.3	774	219	14	1.40	2.4	1836	286.40	34	1.90	GS99 GSF99 GSA99 GSAF99	8P	29	175	47.32					4.3	0.80	GS49 GSF49 GSA49 GSAF49	4P	2.6	1701			262.22			34	1.95		3.0	1521		231.67	35	2.05	3.2	1386			288.00	28	1.60	GS89 GSF89 GSA89 GSAF89	6P			31					164	44.23	4.3	0.85	3.5			1260	258.18	28	1.65			4.1	1098	222.40			28	1.80	4.5	1008	202.96	28	1.85	4.8	945	288.00	28	1.90	5.4	855	258.18		28	2.00		GS89 GSF89 GSA89 GSAF89					4P	36	143	38.23	4.2	1.00	6.3	747	222.40	28	2.10	6.8	689	202.96	28	2.20	7.4	608	189.09			15	1.65	4.0	1044	225.26			12	1.10			GS79 GSF79 GSA79 GSAF79							6P			43	122	32.48	4.1	1.10	4.3	999	214.00	12	1.15	4.8	891	189.09	13	1.30	5.6	774	161.60	14	1.45	5.4	801	256.47		14		1.45			GS79 GSF79 GSA79 GSAF79	4P	48			110	29.00	4.0			1.15	6.2	711	225.26	14	1.55	6.5	680	214.00	14	1.60	7.4	608	189.09	15	1.65	208	28	13.63	1.7	1.25	234	24	12.08	1.7	1.30	276	21	10.27	1.7	1.35																																																																																																																																		
2.9	1737	484	34	1.95			1.3	2754	1032	18	0.90	GS89R59 GSF89R59 GSA89R59 GSAF89R59	4P			15	284	94.08	6.6	0.95			GS59 GSF59 GSA59 GSAF59	4P	1.5	2538	930	25	1.00					1.7	2286	831			26	1.10					1.9					1998	719	27			1.25		2.2	1746	624	27		1.40	2.5	1575	558	27	1.45	3.2	1260	435	28			1.60	4.3	963	323	28	1.85	4.3	1125	327	11	1.05	GS79R39 GSF79R39 GSA79R39 GSAF79R39	4P			31	167	44.23	7.5	1.35	GS49 GSF49 GSA49 GSAF49	4P			4.8	1008	289					12	1.15	5.6	873				250	13		1.30	6.3	774			219	14	1.40	2.4	1836	286.40	34	1.90	GS99 GSF99 GSA99 GSAF99	8P	29	175	47.32	4.3	0.80	GS49 GSF49 GSA49 GSAF49	4P			2.6	1701	262.22		34	1.95		3.0	1521			231.67	35			2.05			3.2	1386		288.00	28		1.60	GS89 GSF89 GSA89 GSAF89	6P	31	164			44.23	4.3	0.85					3.5					1260	258.18	28	1.65	4.1	1098	222.40	28	1.80	4.5	1008			202.96	28	1.85			4.8	945	288.00	28	1.90	5.4	855	258.18	28	2.00	GS89 GSF89 GSA89 GSAF89	4P	36	143	38.23		4.2	1.00			6.3			747		222.40	28	2.10	6.8	689	202.96	28	2.20	7.4	608	189.09	15	1.65	4.0	1044	225.26	12	1.10			GS79 GSF79 GSA79 GSAF79	6P	43	122	32.48			4.1	1.10				4.3	999						214.00	12	1.15	4.8	891	189.09	13	1.30	5.6	774	161.60	14	1.45	5.4	801	256.47	14	1.45	GS79 GSF79 GSA79 GSAF79	4P	48	110	29.00	4.0	1.15		6.2		711					225.26			14	1.55	6.5	680	214.00	14	1.60	7.4	608	189.09	15	1.65	208	28	13.63	1.7	1.25	234	24	12.08	1.7	1.30	276	21	10.27	1.7	1.35																																																																																																																																											
1.3	2754	1032	18	0.90	GS89R59 GSF89R59 GSA89R59 GSAF89R59	4P	15	284	94.08	6.6	0.95			GS59 GSF59 GSA59 GSAF59	4P																																																																																																																																																																																																																																																																																																																																																																																																																																																																		
1.5	2538	930	25	1.00			1.7	2286	831	26	1.10					1.9	1998	719	27	1.25					2.2	1746	624	27	1.40					2.5	1575	558			27	1.45					3.2					1260	435	28			1.60		4.3	963	323	28		1.85	4.3	1125	327	11	1.05	GS79R39 GSF79R39 GSA79R39 GSAF79R39	4P	31	167	44.23	7.5	1.35	GS49 GSF49 GSA49 GSAF49	4P	4.8	1008	289	12	1.15	5.6	873	250			13	1.30	6.3	774	219	14	1.40					2.4	1836	286.40	34	1.90	GS99 GSF99 GSA99 GSAF99	8P	29	175	47.32	4.3			0.80	GS49 GSF49 GSA49 GSAF49	4P	2.6	1701	262.22	34	1.95	3.0	1521	231.67	35	2.05	3.2	1386	288.00	28			1.60	GS89 GSF89 GSA89 GSAF89	6P	31	164			44.23	4.3	0.85	3.5	1260	258.18	28	1.65	4.1	1098	222.40			28	1.80			4.5			1008	202.96		28	1.85		4.8			945	288.00			28	1.90	5.4			855	258.18	28			2.00	GS89 GSF89 GSA89 GSAF89	4P	36	143	38.23	4.2	1.00	6.3	747	222.40	28	2.10			6.8	689	202.96			28	2.20	7.4	608	189.09	15	1.65	4.0	1044	225.26			12	1.10	GS79 GSF79 GSA79 GSAF79	6P	43	122	32.48		4.1	1.10	4.3	999		214.00	12	1.15	4.8	891	189.09	13	1.30	5.6	774	161.60	14	1.45	5.4	801	256.47	14	1.45					GS79 GSF79 GSA79 GSAF79	4P	48	110	29.00	4.0	1.15	6.2	711		225.26	14	1.55	6.5	680	214.00		14	1.60	7.4	608	189.09	15	1.65	208	28	13.63	1.7	1.25	234	24	12.08	1.7	1.30	276			21	10.27	1.7	1.35																																																																																																																																																																																		
1.7	2286	831	26	1.10			1.9	1998	719	27	1.25					2.2	1746	624	27	1.40					2.5	1575	558	27	1.45					3.2	1260	435			28	1.60					4.3		963	323		28	1.85	4.3			1125	327	11	1.05	GS79R39 GSF79R39 GSA79R39 GSAF79R39	4P	31	167	44.23	7.5	1.35	GS49 GSF49 GSA49 GSAF49	4P			4.8	1008	289	12	1.15			5.6	873	250	13	1.30	6.3	774	219			14	1.40	2.4	1836	286.40	34	1.90			GS99 GSF99 GSA99 GSAF99	8P	29	175	47.32	4.3	0.80			GS49 GSF49 GSA49 GSAF49	4P	2.6	1701	262.22	34	1.95			3.0	1521	231.67	35	2.05	3.2	1386	288.00	28	1.60	GS89 GSF89 GSA89 GSAF89	6P	31	164	44.23	4.3	0.85			3.5	1260			258.18	28	1.65	4.1	1098	222.40	28	1.80	4.5	1008	202.96			28	1.85			4.8			945	288.00		28	1.90		5.4			855	258.18			28	2.00	GS89 GSF89 GSA89 GSAF89			4P	36	143	38.23	4.2	1.00			6.3	747	222.40	28	2.10	6.8	689	202.96	28	2.20			7.4	608	189.09			15	1.65	4.0	1044	225.26	12	1.10	GS79 GSF79 GSA79 GSAF79	6P	43			122	32.48			4.1	1.10	4.3	999	214.00	12	1.15	4.8	891	189.09	13	1.30	5.6	774	161.60	14	1.45	5.4	801	256.47	14	1.45	GS79 GSF79 GSA79 GSAF79	4P	48	110	29.00	4.0	1.15					6.2	711	225.26	14	1.55	6.5	680	214.00	14	1.60	7.4	608	189.09	15	1.65	208	28	13.63	1.7	1.25	234	24	12.08	1.7	1.30	276	21	10.27	1.7	1.35																																																																																																																																																																																											
1.9	1998	719	27	1.25			2.2	1746	624	27	1.40					2.5	1575	558	27	1.45					3.2	1260	435	28	1.60					4.3	963	323			28	1.85		4.3	1125		327		11	1.05		GS79R39 GSF79R39 GSA79R39 GSAF79R39	4P	31	167	44.23	7.5	1.35	GS49 GSF49 GSA49 GSAF49	4P			4.8	1008	289	12	1.15					5.6	873	250	13	1.30			6.3	774	219	14	1.40	2.4	1836	286.40	34	1.90	GS99 GSF99 GSA99 GSAF99	8P	29	175	47.32	4.3	0.80	GS49 GSF49 GSA49 GSAF49	4P			2.6	1701	262.22	34	1.95					3.0	1521	231.67	35	2.05			3.2	1386	288.00	28	1.60	GS89 GSF89 GSA89 GSAF89	6P	31	164	44.23			4.3	0.85	3.5	1260	258.18			28	1.65			4.1	1098	222.40	28	1.80	4.5	1008	202.96	28	1.85	4.8			945	288.00			28			1.90	5.4		855	258.18		28			2.00	GS89 GSF89 GSA89 GSAF89			4P	36		143	38.23		4.2	1.00	6.3	747	222.40			28	2.10	6.8	689	202.96	28	2.20	7.4	608	189.09			15	1.65	4.0			1044	225.26	12	1.10	GS79 GSF79 GSA79 GSAF79	6P	43			122	32.48	4.1	1.10	4.3			999	214.00	12	1.15	4.8	891	189.09	13	1.30	5.6	774	161.60	14	1.45	5.4	801	256.47	14	1.45	GS79 GSF79 GSA79 GSAF79	4P	48			110	29.00	4.0	1.15	6.2	711	225.26			14	1.55	6.5	680	214.00	14	1.60	7.4	608	189.09	15	1.65	208	28	13.63	1.7	1.25	234	24	12.08	1.7	1.30	276	21	10.27	1.7	1.35																																																																																																																																																																																														
2.2	1746	624	27	1.40			2.5	1575	558	27	1.45					3.2	1260	435	28	1.60					4.3	963	323	28	1.85					4.3	1125	327	11	1.05	GS79R39 GSF79R39 GSA79R39 GSAF79R39	4P		31	167		44.23	7.5	1.35	GS49 GSF49 GSA49 GSAF49	4P			4.8	1008	289	12	1.15					5.6	873	250	13	1.30					6.3	774	219	14	1.40			2.4	1836	286.40	34	1.90	GS99 GSF99 GSA99 GSAF99	8P	29	175	47.32			4.3	0.80	GS49 GSF49 GSA49 GSAF49	4P	2.6					1701	262.22	34	1.95	3.0	1521	231.67			35	2.05	3.2	1386	288.00			28	1.60	GS89 GSF89 GSA89 GSAF89	6P	31			164	44.23	4.3			0.85	3.5	1260	258.18	28			1.65	4.1			1098	222.40	28	1.80	4.5	1008	202.96	28	1.85	4.8	945			288.00	28			1.90			5.4	855		258.18	28		2.00	GS89 GSF89 GSA89 GSAF89	4P	36					143		38.23	4.2		1.00	6.3	747	222.40	28			2.10	6.8	689	202.96	28	2.20	7.4	608	189.09	15			1.65	4.0	1044	225.26	12	1.10	GS79 GSF79 GSA79 GSAF79	6P	43			122			32.48	4.1	1.10	4.3	999			214.00	12	1.15	4.8	891	189.09	13	1.30	5.6	774	161.60	14	1.45	5.4	801	256.47	14	1.45	GS79 GSF79 GSA79 GSAF79			4P			48	110	29.00	4.0	1.15	6.2	711			225.26	14	1.55	6.5	680	214.00	14	1.60	7.4	608	189.09	15	1.65	208	28	13.63	1.7	1.25	234	24	12.08	1.7	1.30	276	21	10.27	1.7	1.35																																																																																																																																																																																													
2.5	1575	558	27	1.45			3.2	1260	435	28	1.60					4.3	963	323	28	1.85					4.3	1125	327	11	1.05			GS79R39 GSF79R39 GSA79R39 GSAF79R39	4P	31	167	44.23	7.5	1.35			GS49 GSF49 GSA49 GSAF49	4P	4.8	1008	289	12	1.15					5.6	873	250	13	1.30					6.3	774	219	14	1.40			2.4	1836	286.40	34	1.90	GS99 GSF99 GSA99 GSAF99	8P	29	175	47.32	4.3	0.80	GS49 GSF49 GSA49 GSAF49	4P			2.6	1701	262.22			34	1.95			3.0			1521	231.67	35	2.05	3.2	1386	288.00	28	1.60			GS89 GSF89 GSA89 GSAF89	6P	31	164	44.23			4.3	0.85			3.5			1260	258.18	28			1.65	4.1	1098	222.40	28			1.80	4.5			1008	202.96	28	1.85	4.8	945	288.00	28	1.90	5.4	855			258.18	28			2.00			GS89 GSF89 GSA89 GSAF89	4P		36	143		38.23			4.2					1.00		6.3	747		222.40	28	2.10	6.8	689	202.96	28	2.20	7.4	608	189.09	15	1.65	4.0	1044	225.26	12	1.10	GS79 GSF79 GSA79 GSAF79	6P	43	122	32.48	4.1	1.10			4.3			999			214.00	12	1.15	4.8	891	189.09	13	1.30	5.6	774	161.60	14	1.45	5.4	801	256.47	14	1.45	GS79 GSF79 GSA79 GSAF79	4P	48	110	29.00	4.0	1.15							6.2	711	225.26	14	1.55	6.5	680			214.00	14	1.60	7.4	608	189.09	15	1.65	208	28	13.63	1.7	1.25	234	24	12.08	1.7	1.30	276	21	10.27	1.7	1.35																																																																																																																																																																																																		
3.2	1260	435	28	1.60			4.3	963	323	28	1.85					4.3	1125	327	11	1.05	GS79R39 GSF79R39 GSA79R39 GSAF79R39	4P			31	167	44.23	7.5	1.35	GS49 GSF49 GSA49 GSAF49	4P			4.8	1008	289	12	1.15					5.6	873	250	13	1.30					6.3	774	219	14	1.40			2.4	1836	286.40	34	1.90	GS99 GSF99 GSA99 GSAF99	8P	29	175	47.32	4.3	0.80	GS49 GSF49 GSA49 GSAF49	4P			2.6	1701	262.22	34	1.95					3.0	1521	231.67	35	2.05	3.2	1386			288.00			28	1.60	GS89 GSF89 GSA89 GSAF89	6P	31	164	44.23	4.3	0.85					3.5	1260	258.18			28	1.65			4.1			1098	222.40	28			1.80	4.5	1008	202.96	28	1.85	4.8	945	288.00			28	1.90	5.4	855	258.18	28	2.00	GS89 GSF89 GSA89 GSAF89	4P	36	143			38.23	4.2			1.00						6.3	747		222.40			28					2.10	6.8	689	202.96	28	2.20	7.4	608	189.09	15	1.65	4.0	1044	225.26	12	1.10	GS79 GSF79 GSA79 GSAF79	6P	43	122	32.48	4.1	1.10			4.3	999	214.00	12	1.15			4.8			891	189.09	13	1.30	5.6	774	161.60	14	1.45	5.4	801	256.47	14	1.45	GS79 GSF79 GSA79 GSAF79	4P	48	110	29.00	4.0	1.15			6.2	711	225.26	14	1.55							6.5	680	214.00	14	1.60	7.4	608	189.09	15	1.65	208	28	13.63	1.7	1.25	234	24	12.08	1.7	1.30	276	21	10.27	1.7	1.35																																																																																																																																																																																																									
4.3	963	323	28	1.85			4.3	1125	327	11	1.05	GS79R39 GSF79R39 GSA79R39 GSAF79R39	4P			31	167	44.23	7.5	1.35			GS49 GSF49 GSA49 GSAF49	4P	4.8	1008	289	12	1.15					5.6	873	250	13	1.30					6.3	774	219	14	1.40			2.4	1836	286.40	34	1.90	GS99 GSF99 GSA99 GSAF99	8P	29	175	47.32	4.3	0.80	GS49 GSF49 GSA49 GSAF49	4P			2.6	1701	262.22	34	1.95					3.0	1521	231.67	35	2.05			3.2	1386	288.00	28	1.60	GS89 GSF89 GSA89 GSAF89	6P	31	164			44.23			4.3	0.85			3.5	1260	258.18	28	1.65					4.1	1098	222.40			28	1.80			4.5			1008	202.96	28	1.85	4.8	945	288.00	28	1.90	5.4	855	258.18	28	2.00			GS89 GSF89 GSA89 GSAF89	4P	36	143	38.23	4.2	1.00			6.3	747			222.40	28			2.10						6.8	689		202.96			28	2.20	7.4	608	189.09	15	1.65	4.0	1044	225.26	12	1.10	GS79 GSF79 GSA79 GSAF79	6P	43	122	32.48	4.1	1.10	4.3	999			214.00	12	1.15	4.8	891			189.09	13	1.30	5.6	774			161.60	14	1.45	5.4	801	256.47	14	1.45	GS79 GSF79 GSA79 GSAF79	4P	48	110	29.00	4.0	1.15	6.2	711			225.26	14	1.55	6.5	680			214.00	14	1.60	7.4	608					189.09	15	1.65	208	28	13.63	1.7	1.25	234	24	12.08	1.7	1.30	276	21	10.27	1.7	1.35																																																																																																																																																																																																																		
4.3	1125	327	11	1.05	GS79R39 GSF79R39 GSA79R39 GSAF79R39	4P	31	167	44.23	7.5	1.35			GS49 GSF49 GSA49 GSAF49	4P																																																																																																																																																																																																																																																																																																																																																																																																																																																																		
4.8	1008	289	12	1.15			5.6	873	250	13	1.30					6.3	774	219	14	1.40					2.4	1836	286.40	34	1.90			GS99 GSF99 GSA99 GSAF99	8P	29	175	47.32	4.3	0.80	GS49 GSF49 GSA49 GSAF49	4P	2.6	1701	262.22	34	1.95	3.0	1521	231.67	35	2.05	3.2	1386	288.00	28			1.60	GS89 GSF89 GSA89 GSAF89	6P	31	164			44.23	4.3	0.85	3.5	1260	258.18	28			1.65	4.1	1098	222.40	28	1.80	4.5			1008	202.96	28	1.85	4.8			945	288.00			28			1.90	5.4			855	258.18	28	2.00	GS89 GSF89 GSA89 GSAF89					4P	36	143			38.23	4.2	1.00	6.3	747	222.40	28	2.10	6.8	689	202.96	28	2.20	7.4	608	189.09	15	1.65	4.0	1044	225.26					12	1.10	GS79 GSF79 GSA79 GSAF79	6P	43			122	32.48			4.1	1.10	4.3	999	214.00			12	1.15	4.8	891	189.09	13	1.30	5.6	774	161.60	14	1.45	5.4	801	256.47	14	1.45	GS79 GSF79 GSA79 GSAF79	4P	48	110			29.00	4.0	1.15	6.2	711	225.26	14			1.55	6.5	680	214.00	14	1.60	7.4	608	189.09	15	1.65	208	28	13.63	1.7	1.25	234	24	12.08	1.7	1.30	276			21	10.27	1.7	1.35																																																																																																																																																																																																																																																									
5.6	873	250	13	1.30			6.3	774	219	14	1.40					2.4	1836	286.40	34	1.90	GS99 GSF99 GSA99 GSAF99	8P			29	175	47.32	4.3	0.80	GS49 GSF49 GSA49 GSAF49	4P			2.6	1701	262.22	34	1.95			3.0	1521	231.67	35	2.05	3.2	1386	288.00	28	1.60	GS89 GSF89 GSA89 GSAF89	6P	31	164	44.23	4.3	0.85			3.5	1260			258.18	28	1.65	4.1	1098	222.40	28			1.80	4.5	1008	202.96	28	1.85	4.8			945	288.00	28	1.90	5.4			855	258.18			28			2.00	GS89 GSF89 GSA89 GSAF89			4P	36	143	38.23				4.2	1.00		6.3	747			222.40	28	2.10	6.8	689	202.96	28	2.20	7.4	608	189.09	15	1.65	4.0	1044	225.26	12	1.10	GS79 GSF79 GSA79 GSAF79	6P	43					122	32.48			4.1	1.10	4.3	999	214.00			12	1.15	4.8	891	189.09	13	1.30	5.6	774	161.60	14	1.45	5.4	801	256.47	14	1.45	GS79 GSF79 GSA79 GSAF79	4P	48	110	29.00	4.0	1.15			6.2	711			225.26	14	1.55	6.5	680	214.00	14	1.60	7.4	608	189.09	15	1.65	208	28	13.63	1.7	1.25	234	24	12.08	1.7	1.30	276	21	10.27	1.7	1.35																																																																																																																																																																																																																																																																		
6.3	774	219	14	1.40			2.4	1836	286.40	34	1.90	GS99 GSF99 GSA99 GSAF99	8P			29	175	47.32	4.3	0.80			GS49 GSF49 GSA49 GSAF49	4P	2.6	1701	262.22	34	1.95					3.0	1521	231.67	35	2.05			3.2	1386	288.00	28	1.60	GS89 GSF89 GSA89 GSAF89	6P	31	164	44.23			4.3	0.85	3.5	1260	258.18			28	1.65			4.1	1098	222.40	28	1.80	4.5	1008			202.96	28	1.85	4.8	945	288.00	28			1.90	5.4	855	258.18	28			2.00	GS89 GSF89 GSA89 GSAF89			4P			36		143	38.23		4.2	1.00	6.3				747	222.40		28	2.10			6.8	689	202.96	28	2.20	7.4	608	189.09	15	1.65	4.0	1044	225.26	12	1.10	GS79 GSF79 GSA79 GSAF79	6P	43			122			32.48	4.1	1.10	4.3			999	214.00	12	1.15	4.8	891	189.09	13	1.30	5.6	774	161.60	14	1.45	5.4	801	256.47	14	1.45	GS79 GSF79 GSA79 GSAF79	4P	48	110	29.00			4.0	1.15	6.2	711	225.26			14	1.55	6.5	680	214.00	14	1.60	7.4	608	189.09	15	1.65	208	28	13.63	1.7	1.25	234	24	12.08	1.7	1.30	276	21	10.27	1.7	1.35																																																																																																																																																																																																																																																																							
2.4	1836	286.40	34	1.90	GS99 GSF99 GSA99 GSAF99	8P	29	175	47.32	4.3	0.80			GS49 GSF49 GSA49 GSAF49	4P																																																																																																																																																																																																																																																																																																																																																																																																																																																																		
2.6	1701	262.22	34	1.95			3.0	1521	231.67	35	2.05					3.2	1386	288.00	28	1.60	GS89 GSF89 GSA89 GSAF89	6P			31	164	44.23	4.3	0.85			3.5	1260	258.18	28	1.65	4.1	1098			222.40	28	1.80	4.5	1008			202.96	28	1.85			4.8	945	288.00	28	1.90			5.4	855			258.18	28	2.00	GS89 GSF89 GSA89 GSAF89	4P	36	143			38.23	4.2	1.00	6.3	747	222.40	28			2.10	6.8	689	202.96	28	2.20	7.4	608							189.09		15	1.65		4.0	1044	225.26	12			1.10	GS79 GSF79 GSA79 GSAF79	6P	43	122			32.48	4.1	1.10	4.3	999	214.00	12	1.15	4.8	891	189.09	13	1.30	5.6	774			161.60			14	1.45	5.4	801	256.47	14	1.45	GS79 GSF79 GSA79 GSAF79	4P	48	110	29.00	4.0	1.15	6.2	711	225.26	14	1.55	6.5	680	214.00	14	1.60	7.4	608	189.09	15			1.65	208	28			13.63	1.7	1.25	234	24			12.08	1.7	1.30	276	21	10.27	1.7	1.35																																																																																																																																																																																																																																																																																										
3.0	1521	231.67	35	2.05			3.2	1386	288.00	28	1.60	GS89 GSF89 GSA89 GSAF89	6P			31	164	44.23	4.3	0.85					3.5	1260	258.18	28	1.65			4.1	1098	222.40	28	1.80	4.5	1008			202.96	28	1.85	4.8	945			288.00	28	1.90			5.4	855	258.18	28	2.00	GS89 GSF89 GSA89 GSAF89	4P	36	143			38.23	4.2	1.00			6.3	747			222.40	28	2.10	6.8	689	202.96	28			2.20	7.4	608	189.09	15	1.65	4.0	1044							225.26	12	1.10	GS79 GSF79 GSA79 GSAF79	6P	43	122	32.48	4.1			1.10			4.3	999	214.00	12	1.15	4.8	891	189.09	13	1.30	5.6	774	161.60	14	1.45	5.4	801	256.47	14			1.45	GS79 GSF79 GSA79 GSAF79	4P	48	110	29.00	4.0	1.15	6.2	711			225.26	14	1.55	6.5	680	214.00	14	1.60	7.4	608	189.09	15	1.65	208	28	13.63	1.7	1.25	234			24	12.08	1.7			1.30	276	21	10.27	1.7	1.35																																																																																																																																																																																																																																																																																																			
3.2	1386	288.00	28	1.60	GS89 GSF89 GSA89 GSAF89	6P	31	164	44.23	4.3	0.85					3.5	1260	258.18	28	1.65					4.1	1098	222.40	28	1.80			4.5	1008	202.96	28	1.85	4.8	945			288.00	28	1.90	5.4	855			258.18	28	2.00	GS89 GSF89 GSA89 GSAF89	4P	36	143	38.23	4.2	1.00			6.3	747			222.40	28	2.10			6.8	689			202.96	28	2.20	7.4	608	189.09	15			1.65	4.0	1044	225.26	12	1.10	GS79 GSF79 GSA79 GSAF79	6P	43			122			32.48	4.1	1.10			4.3	999	214.00	12	1.15	4.8	891			189.09	13	1.30	5.6	774	161.60	14	1.45	5.4	801	256.47	14	1.45	GS79 GSF79 GSA79 GSAF79	4P	48	110	29.00	4.0	1.15	6.2	711			225.26	14	1.55	6.5	680	214.00	14			1.60	7.4	608	189.09	15	1.65	208	28	13.63	1.7	1.25	234	24	12.08	1.7	1.30	276	21	10.27			1.7	1.35																																																																																																																																																																																																																																																																																																												
3.5	1260	258.18	28	1.65			4.1	1098	222.40	28	1.80					4.5	1008	202.96	28	1.85					4.8	945	288.00	28	1.90			5.4	855	258.18	28	2.00	GS89 GSF89 GSA89 GSAF89	4P			36	143	38.23	4.2	1.00	6.3	747	222.40	28	2.10			6.8	689	202.96	28	2.20			7.4	608			189.09	15	1.65			4.0	1044			225.26	12	1.10	GS79 GSF79 GSA79 GSAF79	6P	43	122			32.48	4.1	1.10	4.3	999	214.00			12			1.15	4.8	891	189.09	13	1.30			5.6	774	161.60	14	1.45	5.4	801			256.47	14	1.45	GS79 GSF79 GSA79 GSAF79	4P	48	110	29.00	4.0	1.15	6.2	711	225.26			14	1.55	6.5	680	214.00	14	1.60			7.4	608	189.09	15	1.65	208	28			13.63	1.7	1.25	234	24	12.08	1.7	1.30	276	21	10.27	1.7	1.35																																																																																																																																																																																																																																																																																																																						
4.1	1098	222.40	28	1.80			4.5	1008	202.96	28	1.85					4.8	945	288.00	28	1.90					5.4	855	258.18	28	2.00			GS89 GSF89 GSA89 GSAF89	4P	36	143	38.23					4.2	1.00	6.3	747	222.40	28	2.10	6.8	689	202.96			28	2.20	7.4	608	189.09			15	1.65			4.0	1044	225.26	12	1.10	GS79 GSF79 GSA79 GSAF79	6P			43	122	32.48			4.1	1.10			4.3	999	214.00	12	1.15	4.8			891	189.09	13	1.30	5.6	774	161.60	14	1.45			5.4	801	256.47	14	1.45	GS79 GSF79 GSA79 GSAF79	4P	48	110	29.00	4.0	1.15			6.2	711	225.26	14	1.55	6.5	680	214.00			14	1.60	7.4	608	189.09	15	1.65			208	28	13.63	1.7	1.25	234	24			12.08	1.7	1.30	276	21	10.27	1.7	1.35																																																																																																																																																																																																																																																																																																																											
4.5	1008	202.96	28	1.85			4.8	945	288.00	28	1.90					5.4	855	258.18	28	2.00	GS89 GSF89 GSA89 GSAF89	4P			36	143	38.23	4.2	1.00					6.3	747	222.40					28	2.10	6.8	689	202.96	28	2.20	7.4	608	189.09			15	1.65	4.0	1044	225.26	12	1.10	GS79 GSF79 GSA79 GSAF79	6P			43	122	32.48	4.1	1.10					4.3	999	214.00			12	1.15	4.8	891	189.09	13	1.30	5.6	774	161.60			14	1.45	5.4	801	256.47	14	1.45	GS79 GSF79 GSA79 GSAF79	4P	48	110	29.00	4.0	1.15	6.2	711			225.26	14	1.55	6.5	680			214.00	14	1.60	7.4	608	189.09	15	1.65			208	28	13.63	1.7	1.25	234	24			12.08	1.7	1.30	276	21	10.27	1.7	1.35																																																																																																																																																																																																																																																																																																																																				
4.8	945	288.00	28	1.90			5.4	855	258.18	28	2.00	GS89 GSF89 GSA89 GSAF89	4P			36	143	38.23	4.2	1.00					6.3	747	222.40	28	2.10					6.8	689	202.96					28	2.20	7.4	608	189.09	15	1.65	4.0	1044	225.26	12	1.10	GS79 GSF79 GSA79 GSAF79	6P	43	122	32.48	4.1	1.10					4.3	999	214.00	12	1.15			4.8	891	189.09	13	1.30			5.6	774	161.60	14	1.45	5.4	801	256.47	14	1.45	GS79 GSF79 GSA79 GSAF79	4P	48	110	29.00	4.0	1.15	6.2	711			225.26	14	1.55	6.5	680	214.00	14			1.60	7.4	608	189.09	15			1.65	208	28	13.63	1.7	1.25	234	24			12.08	1.7	1.30	276	21	10.27	1.7	1.35																																																																																																																																																																																																																																																																																																																																													
5.4	855	258.18	28	2.00	GS89 GSF89 GSA89 GSAF89	4P	36	143	38.23	4.2	1.00					6.3	747	222.40	28	2.10					6.8	689	202.96	28	2.20					7.4	608	189.09	15	1.65			4.0	1044	225.26	12	1.10	GS79 GSF79 GSA79 GSAF79	6P	43	122	32.48	4.1	1.10			4.3	999	214.00	12	1.15			4.8	891	189.09	13	1.30	5.6	774			161.60	14	1.45	5.4	801	256.47	14	1.45	GS79 GSF79 GSA79 GSAF79	4P	48	110	29.00	4.0	1.15	6.2	711			225.26	14	1.55	6.5	680	214.00	14			1.60	7.4	608	189.09	15	1.65	208			28	13.63	1.7	1.25	234			24	12.08	1.7	1.30	276	21	10.27	1.7	1.35																																																																																																																																																																																																																																																																																																																																																						
6.3	747	222.40	28	2.10			6.8	689	202.96	28	2.20					7.4	608	189.09	15	1.65					4.0	1044	225.26	12	1.10			GS79 GSF79 GSA79 GSAF79	6P	43	122	32.48	4.1	1.10			4.3	999	214.00	12	1.15			4.8	891	189.09	13	1.30			5.6	774	161.60	14	1.45			5.4	801	256.47	14	1.45	GS79 GSF79 GSA79 GSAF79	4P	48	110	29.00	4.0	1.15	6.2	711	225.26	14	1.55			6.5	680	214.00	14	1.60	7.4	608			189.09	15	1.65	208	28	13.63	1.7			1.25	234	24	12.08	1.7	1.30	276			21	10.27	1.7	1.35																																																																																																																																																																																																																																																																																																																																																																		
6.8	689	202.96	28	2.20			7.4	608	189.09	15	1.65					4.0	1044	225.26	12	1.10	GS79 GSF79 GSA79 GSAF79	6P			43	122	32.48	4.1	1.10					4.3	999	214.00	12	1.15	4.8	891	189.09	13	1.30	5.6	774			161.60	14	1.45	5.4	801			256.47	14	1.45	GS79 GSF79 GSA79 GSAF79	4P	48	110	29.00	4.0	1.15	6.2	711			225.26	14	1.55	6.5	680	214.00	14	1.60	7.4	608			189.09	15	1.65	208	28	13.63	1.7			1.25	234	24	12.08	1.7	1.30	276			21	10.27	1.7	1.35																																																																																																																																																																																																																																																																																																																																																																											
7.4	608	189.09	15	1.65			4.0	1044	225.26	12	1.10	GS79 GSF79 GSA79 GSAF79	6P			43	122	32.48	4.1	1.10					4.3	999	214.00	12	1.15	4.8	891			189.09	13	1.30	5.6	774	161.60	14	1.45	5.4	801	256.47	14			1.45	GS79 GSF79 GSA79 GSAF79	4P	48	110	29.00	4.0	1.15	6.2	711			225.26	14	1.55	6.5	680	214.00	14			1.60	7.4	608	189.09	15	1.65	208	28	13.63	1.7			1.25	234	24	12.08	1.7	1.30	276			21	10.27	1.7	1.35																																																																																																																																																																																																																																																																																																																																																																																				
4.0	1044	225.26	12	1.10	GS79 GSF79 GSA79 GSAF79	6P	43	122	32.48	4.1	1.10					4.3	999	214.00	12	1.15			4.8	891	189.09	13	1.30	5.6	774	161.60	14			1.45	5.4	801	256.47	14	1.45	GS79 GSF79 GSA79 GSAF79	4P	48	110	29.00	4.0	1.15	6.2	711			225.26	14	1.55	6.5	680	214.00	14			1.60	7.4	608	189.09	15	1.65	208			28	13.63	1.7	1.25	234	24	12.08	1.7	1.30	276			21	10.27	1.7	1.35																																																																																																																																																																																																																																																																																																																																																																																													
4.3	999	214.00	12	1.15			4.8	891	189.09	13	1.30			5.6	774	161.60	14	1.45	5.4	801			256.47	14	1.45	GS79 GSF79 GSA79 GSAF79	4P	48	110	29.00	4.0	1.15	6.2	711	225.26	14	1.55	6.5	680			214.00	14	1.60	7.4	608	189.09	15			1.65	208	28	13.63	1.7	1.25	234			24	12.08	1.7	1.30	276	21	10.27			1.7	1.35																																																																																																																																																																																																																																																																																																																																																																																																											
4.8	891	189.09	13	1.30			5.6	774	161.60	14	1.45			5.4	801	256.47	14	1.45	GS79 GSF79 GSA79 GSAF79	4P	48	110	29.00	4.0	1.15			6.2	711	225.26	14	1.55	6.5	680	214.00	14	1.60	7.4	608			189.09	15	1.65	208	28	13.63	1.7			1.25	234	24	12.08	1.7	1.30	276			21	10.27	1.7	1.35																																																																																																																																																																																																																																																																																																																																																																																																																		
5.6	774	161.60	14	1.45			5.4	801	256.47	14	1.45	GS79 GSF79 GSA79 GSAF79	4P	48	110	29.00	4.0	1.15			6.2	711	225.26	14	1.55			6.5	680	214.00	14	1.60	7.4	608	189.09	15	1.65	208	28			13.63	1.7	1.25	234	24	12.08	1.7			1.30	276	21	10.27	1.7	1.35																																																																																																																																																																																																																																																																																																																																																																																																																									
5.4	801	256.47	14	1.45	GS79 GSF79 GSA79 GSAF79	4P	48	110	29.00	4.0	1.15			6.2	711	225.26	14	1.55			6.5	680	214.00	14	1.60			7.4	608	189.09	15	1.65	208	28	13.63	1.7	1.25	234	24			12.08	1.7	1.30	276	21	10.27	1.7	1.35																																																																																																																																																																																																																																																																																																																																																																																																																																
6.2	711	225.26	14	1.55			6.5	680	214.00	14	1.60			7.4	608	189.09	15	1.65			208	28	13.63	1.7	1.25			234	24	12.08	1.7	1.30	276	21	10.27	1.7	1.35																																																																																																																																																																																																																																																																																																																																																																																																																																												
6.5	680	214.00	14	1.60			7.4	608	189.09	15	1.65			208	28	13.63	1.7	1.25			234	24	12.08	1.7	1.30	276	21	10.27	1.7	1.35																																																																																																																																																																																																																																																																																																																																																																																																																																																			
7.4	608	189.09	15	1.65			208	28	13.63	1.7	1.25			234	24	12.08	1.7	1.30	276	21	10.27	1.7	1.35																																																																																																																																																																																																																																																																																																																																																																																																																																																										
208	28	13.63	1.7	1.25			234	24	12.08	1.7	1.30	276	21	10.27	1.7	1.35																																																																																																																																																																																																																																																																																																																																																																																																																																																																	
234	24	12.08	1.7	1.30	276	21	10.27	1.7	1.35																																																																																																																																																																																																																																																																																																																																																																																																																																																																								
276	21	10.27	1.7	1.35																																																																																																																																																																																																																																																																																																																																																																																																																																																																													

选型参数表
(恒功率) 1.1kW-1.5kW
Selection Table
(Constant Power) 1.1kW-1.5kW

n_a [r/min]	M_a [Nm]	i	F_{Ra} [kN]	f_B	机型号 Type size	极数 Pole	n_a [r/min]	M_a [Nm]	i	F_{Ra} [kN]	f_B	机型号 Type size	极数 Pole		
1.1kW							1.1kW								
0.9	7529	1521	40	0.85	GS109R79	4P	22	342	62.35	9.2	1.30	GS69 GSF69 GSA69 GSAF69	4P		
1.1	6571	1327	40	1.00	GSF109R79		26	302	54.70	9.1	1.40				
1.7	4203	824	22	0.95	GSA109R79		30	257	46.40	8.8	1.45				
2.0	3069	714	33	1.35	GSAF109R79		33	234	41.89	8.6	1.55				
2.2	3267	626	32	1.25	GS99R59	4P	38	207	36.85	8.3	1.60			GS59 GSF59 GSA59 GSAF59	4P
2.6	2808	538	33	1.45	GSF99R59		40	198	34.80	8.2	1.65				
2.9	2538	484	33	1.60	GSA99R59		47	168	29.63	7.9	1.75				
3.3	2205	420	34	1.70	GSAF99R59		20	324	71.75	6.2	1.00				
2.2	2556	624	24	0.95	GS89R59 GSF89R59 GSA89R59 GSAF89R59		21	306	67.20	6.4	1.00				
2.5	2313	558	26	1.10		25	282	56.61	6.8	1.05					
2.9	2034	485	27	1.35		30	257	47.32	6.9	1.10					
3.2	1854	435	27	1.35		32	239	44.23	7.0	1.10					
3.7	1629	378	27	1.45		37	212	38.23	7.0	1.20					
4.3	1413	323	28	1.60		43	180	32.48	6.8	1.25					
5.0	1242	281	28	1.45		48	161	29.00	6.7	1.30					
5.5	1332	255	28	1.45		57	139	24.77	6.4	1.40					
6.3	1170	222	28	1.55		60	131	23.20	6.3	1.40					
6.8	1089	205	28	1.60		72	111	19.54	6.1	1.50					
6.4	1125	219	11	1.05	GS79R39	4P	79	105	17.80	5.6	1.55	GS49 GSF49 GSA49 GSAF49	4P		
2.5	2647	271.63	40	1.90	GSF79R39		93	99	15.12	5.5	1.65				
3.0	2206	229.96	38	2.00	GSA79R39		104	86	13.50	5.3	1.70				
3.2	2068	212.81	37	2.10	GSAF79R39		121	74	11.53	5.1	1.80				
3.6	1839	190.74	36	2.20	GS109	130	66	10.80	5.0	1.85					
2.4	2772	286.40	33	1.40	GSF109	154	57	9.10	4.8	2.00					
2.6	2556	262.22	33	1.50	GSA109	48	159	29.00	3.5	0.95	GS39 GSF39 GSA39 GSAF39			2P	
3.0	2286	231.67	34	1.70	GSF109	57	138	24.77	3.5	1.00					
3.5	1971	196.52	34	1.80	GSA109	60	129	23.20	3.5	1.05					
3.2	2079	286.40	34	1.75	GSAF109	72	110	19.54	3.4	1.10					
3.5	1917	262.22	34	1.80	GS99	79	105	17.80	2.9	1.15					
3.9	1710	231.67	34	1.90	GSF99	93	98	15.12	2.9	1.25					
3.2	1998	288.00	27	1.10	GSF99	104	86	13.50	2.9	1.30					
3.5	1809	258.18	27	1.20	GSA99	121	73	11.53	2.8	1.35					
4.1	1584	222.40	27	1.35	GSAF99	130	66	10.80	2.8	1.40					
4.5	1458	202.96	28	1.45	GS99	154	57	9.10	2.7	1.45					
4.9	1368	288.00	28	1.55	GSF99	208	44	13.63	1.5	0.85					
5.4	1233	258.18	28	1.65	GSA99	234	36	12.08	1.5	0.90					
6.3	1080	222.40	28	1.75	GSAF99	276	31	10.27	1.5	1.00					
6.9	990	202.96	28	1.80	GS89	1.5kW							4P		
7.8	891	180.00	28	1.90	GSF89	1.2	7600	1126	40	0.85	GS109R79 GSF109R79 GSA109R79 GSAF109R79				
9.3	756	151.30	28	2.00	GSA89	1.4	6643	984	40	1.00					
6.2	1035	225.26	12	1.10	GSAF89	2.0	4176	714	28	0.90		GS99R59 GSF99R59 GSA99R59 GSAF99R59	4P		
6.5	990	214.00	13	1.15	GS89R59 GSF89R59 GSA89R59 GSAF89R59	2.2	4455	626	18	0.85					
7.4	882	189.09	13	1.35		2.6	3834	538	30	1.00					
8.7	765	161.60	14	1.45		2.9	3465	484	32	1.10					
9.4	707	148.15	14	1.50		3.3	3015	420	33	1.25					
11	626	130.00	15	1.60		3.7	2727	376	33	1.40					
11	599	123.20	15	1.60		4.3	2394	327	34	1.65					
13	527	107.83	15	1.70		GS79	2.9	2781	485	16	0.80	GS89R59 GSF89R59 GSA89R59 GSAF89R59	4P		
14	482	97.14	15	1.75		GSF79	3.2	2529	435	25	0.90				
16	423	85.22	15	1.85		GSA79	3.7	2223	378	26	1.00				
12	545	121.33	7.4	0.85		GSAF79	4.3	1935	323	27	1.15				
13	486	106.75	8.1	0.95	GS69 GSF69 GSA69 GSAF69	5.0	1701	281	27	1.10					
14	464	100.80	8.3	1.00		5.5	1818	255	27	1.25					
16	401	85.83	8.8	1.15		6.3	1593	222	27	1.35					
18	365	78.00	9.1	1.30		6.8	1485	205	28	1.40					
21	360	65.63	9.1	1.30		2.5	3610	271.63	40	1.60	GS109 GSF109 GSA109 GSAF109	8P			
3.0	3008	229.96	38	1.70		3.0	3008	229.96	38	1.70					
3.2	2820	212.81	37	1.75		3.2	2820	212.81	37	1.75					

GS 系列斜齿轮-蜗轮蜗杆减速电机

选型参数表

(恒功率) 1.5kW-2.2kW

Selection Table

(Constant Power) 1.5kW-2.2kW

n _a [r/min]	M _a [Nm]	i	F _{Ra} [kN]	f _B	机型号 Type size	极数 Pole	n _a [r/min]	M _a [Nm]	i	F _{Ra} [kN]	f _B	机型号 Type size	极数 Pole																																																																																																																																																																																																																																																																																																																																																																																																																																																																																																																																																																																																																																																																																			
1.5kW							1.5kW																																																																																																																																																																																																																																																																																																																																																																																																																																																																																																																																																																																																																																																																																									
3.5	2579	271.63	36	1.85	GS109	6P	43	243	32.48	6.3	0.90	GS59 GSF59 GSA59 GSAF59	4P																																																																																																																																																																																																																																																																																																																																																																																																																																																																																																																																																																																																																																																																																			
4.1	2201	229.96	34	2.00	GSF109		4.4	2051	212.81	34	2.05			GSA109	4.9	1841	190.74	32	2.15	GSAF109	2.4	3627	286.40	31	1.05	GS99	8P	72	150	19.54	5.8	1.30	2.6	3348	262.22	32	1.15	GSF99	2.9	2997	231.67	33	1.25	GSA99	3.5	2583	196.52	33	1.45	GSAF99	3.3	2835	286.40	33	1.35	GS99	6P	104	116	13.50	5.0	1.45	3.6	2619	262.22	33	1.45	GSF99	4.1	2340	231.67	34	1.65	GSA99	4.8	2007	196.52	34	1.75	GSAF99	4.9	1917	286.40	34	1.80	GS99	4P	121	99	11.53	4.8	1.55	5.3	1773	262.22	34	1.85	GSF99	6.0	1584	231.67	35	1.95	GSA99	7.1	1359	196.52	35	2.10	GSAF99	3.6	2466	258.18	25	0.90	GS89	6P	104	117	13.50	2.5	0.85	4.2	2151	222.40	26	1.00	GSF89	4.6	1980	202.96	27	1.10	GSA89	5.2	1782	180.00	27	1.20	GSAF89	4.9	1854	288.00	27	1.10	GS89 GSF89 GSA89 GSAF89	4P	121	101	11.53	2.5	1.00	5.4	1674	258.18	27	1.20	6.3	1467	222.40	28	1.40	6.9	1350	202.96	28	1.55	7.8	1206	180.00	28	1.60	9.3	1026	151.30	28	1.75	10	954	139.05	28	1.80	11	855	123.48	28	1.85	13	765	110.40	28	1.95	14	693	99.26	28	2.00	7.4	1197	189.09	10	1.10	GS79 GSF79 GSA79 GSAF79	4P	130	94	10.80	2.5	1.10	8.7	1035	161.60	12	1.15	9.4	954	148.15	13	1.30	11	846	130.00	13	1.35	11	810	123.20	14	1.40	13	716	107.83	14	1.45	14	653	97.14	15	1.50	16	576	85.22	15	1.60	19	585	75.09	13	1.50	20	558	71.33	13	1.55	21	459	66.67	14	1.70	22	495	63.03	13	1.65	25	396	56.92	13	1.80	26	423	53.87	13	1.75	28	392	49.38	12	1.80	32	347	43.33	12	1.90	16	540	85.83	7.5	0.85	GS69 GSF69 GSA69 GSAF69	4P	154	77	9.10	4.6	1.60	18	495	78.00	8.0	0.95	21	486	65.63	8.1	0.95	22	464	62.35	8.3	0.95	26	410	54.70	8.4	1.05	30	351	46.40	8.2	1.25	33	320	41.89	8.0	1.30	38	279	36.85	7.8	1.40	40	266	34.80	7.8	1.40	47	230	29.63	7.5	1.50	52	207	26.93	7.4	1.55	58	198	24.00	6.7	1.60	65	189	21.67	6.6	1.70	73	166	19.06	6.5	1.75	78	158	18.00	6.3	1.80	91	135	15.33	6.1	1.90	101	124	13.93	5.9	1.95	2.2kW							2.2kW							2.1	6672	688	40	1.00	GS109R79 GSF109R79 GSA109R79 GSAF109R79	4P	2.1	6672	688	40	1.00	GS99R59 GSF99R59 GSA99R59 GSAF99R59	4P	2.4	5832	602	40	1.10	3.4	4455	420	18	0.90	3.8	4014	376	27	1.00	4.4	3519	327	32	1.20	5.0	3114	287	33	1.35	5.7	2727	252	33	1.50	3.5	3782	271.63	35	1.50	GS109 GSA109 GSAF109 GSF109	6P	4.1	3228	229.96	33	1.65	4.4	3008	212.81	33	1.70	4.9	2701	190.74	32	1.75	5.3	2498	271.63	31	1.80	GS109 GSF109 GSA109 GSAF109	4P	6.2	2135	229.96	30	1.95	6.7	2117	212.81	29	2.00	7.5	1891	190.74	28	2.10	8.3	1708	172.20	27	2.15	9.1	1558	156.41	26	2.20	3.3	4077	286.40	29	1.00	GS99 GSF99 GSA99 GSAF99	6P	3.6	3762	262.22	31	1.30	4.1	3357	231.67	32	1.35	4.8	2889	196.52	33	1.45	5.0	2817	286.40	33	1.45	GS99 GSF99 GSA99 GSAF99	4P	5.5	2601	262.22	33	1.55	6.2	2313	231.67	34	1.65	7.3	1989	196.52	34	1.75	7.9	1845	180.95	34	1.80	8.8	1656	161.74	34	1.85	9.8	1503	145.60	35	1.95	11	1368	131.85	35	2.05	12	1224	116.92	35	2.10	14	1116	105.71	35	2.20	16	954	89.60	35	2.35	5.5	2457	258.18	25	1.00	GS89 GSF89 GSA89 GSAF89	4P	6.4	2142	222.40	26	1.10	7.0	1971	202.96	27	1.25	7.9	1773	180.00	27	1.35	9.5	1512	151.30	27	1.45	10	1395	139.05	28	1.50	12	1251	123.48	28	1.55	13	1125	110.40	28	1.60	14	1017	99.26	28	1.70	17	891	86.15	28	1.75	17	954	81.76	28	1.65	19	801	77.14	28	1.80																																											
4.4	2051	212.81	34	2.05	GSA109		4.9	1841	190.74	32	2.15			GSAF109	2.4	3627	286.40	31	1.05	GS99	8P	72	150	19.54	5.8	1.30		2.6	3348	262.22	32	1.15	GSF99	2.9	2997	231.67	33	1.25	GSA99	3.5	2583	196.52	33	1.45	GSAF99	3.3	2835	286.40	33	1.35	GS99	6P	104	116	13.50	5.0		1.45	3.6	2619	262.22	33	1.45	GSF99	4.1	2340	231.67	34	1.65	GSA99	4.8	2007	196.52	34	1.75	GSAF99	4.9	1917	286.40	34	1.80	GS99	4P	121	99	11.53		4.8	1.55	5.3	1773	262.22	34	1.85	GSF99	6.0	1584	231.67	35	1.95	GSA99	7.1	1359	196.52	35	2.10	GSAF99	3.6	2466	258.18	25	0.90	GS89	6P	104	117		13.50	2.5	0.85	4.2	2151	222.40	26	1.00	GSF89	4.6	1980	202.96	27	1.10	GSA89	5.2	1782	180.00	27	1.20	GSAF89	4.9	1854	288.00	27	1.10	GS89 GSF89 GSA89 GSAF89	4P			121	101	11.53	2.5	1.00	5.4	1674	258.18	27	1.20	6.3	1467	222.40	28	1.40	6.9	1350	202.96	28	1.55	7.8	1206	180.00	28	1.60	9.3	1026	151.30	28	1.75	10	954	139.05	28	1.80	11	855	123.48	28	1.85	13	765	110.40	28	1.95	14	693	99.26	28	2.00	7.4	1197	189.09	10	1.10			GS79 GSF79 GSA79 GSAF79	4P	130	94	10.80	2.5	1.10	8.7	1035	161.60	12	1.15	9.4	954	148.15	13	1.30	11	846	130.00	13	1.35	11	810	123.20	14	1.40	13	716	107.83	14	1.45	14	653	97.14	15	1.50	16	576	85.22	15	1.60	19	585	75.09	13	1.50	20	558	71.33	13	1.55	21	459	66.67	14	1.70	22	495	63.03	13	1.65	25	396	56.92	13	1.80	26	423	53.87	13	1.75	28	392	49.38	12	1.80	32	347	43.33	12	1.90	16	540	85.83			7.5	0.85	GS69 GSF69 GSA69 GSAF69	4P	154	77	9.10	4.6	1.60	18	495	78.00	8.0	0.95	21	486	65.63	8.1	0.95	22	464	62.35	8.3	0.95	26	410	54.70	8.4	1.05	30	351	46.40	8.2	1.25	33	320	41.89	8.0	1.30	38	279	36.85	7.8	1.40	40	266	34.80	7.8	1.40	47	230	29.63	7.5	1.50	52	207	26.93	7.4	1.55	58	198	24.00	6.7	1.60	65	189	21.67	6.6	1.70	73	166	19.06	6.5	1.75	78	158	18.00	6.3	1.80	91	135	15.33	6.1	1.90	101	124	13.93	5.9	1.95	2.2kW							2.2kW							2.1			6672	688	40	1.00	GS109R79 GSF109R79 GSA109R79 GSAF109R79			4P	2.1	6672	688	40	1.00	GS99R59 GSF99R59 GSA99R59 GSAF99R59	4P	2.4	5832	602	40	1.10	3.4	4455	420	18	0.90	3.8	4014	376	27	1.00	4.4	3519	327	32	1.20	5.0	3114	287	33	1.35	5.7	2727			252	33	1.50	3.5	3782	271.63	35	1.50	GS109 GSA109 GSAF109 GSF109	6P	4.1	3228	229.96	33	1.65	4.4	3008	212.81	33	1.70			4.9	2701	190.74	32	1.75	5.3	2498	271.63	31	1.80	GS109 GSF109 GSA109 GSAF109	4P	6.2	2135	229.96	30	1.95	6.7	2117	212.81	29	2.00	7.5	1891	190.74	28	2.10	8.3	1708	172.20			27	2.15	9.1	1558	156.41	26	2.20	3.3	4077	286.40	29	1.00	GS99 GSF99 GSA99 GSAF99	6P	3.6	3762	262.22	31	1.30	4.1			3357	231.67	32	1.35	4.8	2889	196.52	33	1.45	5.0	2817	286.40	33	1.45	GS99 GSF99 GSA99 GSAF99	4P	5.5	2601	262.22	33	1.55	6.2	2313	231.67	34	1.65	7.3	1989	196.52	34	1.75	7.9	1845	180.95	34	1.80	8.8	1656	161.74	34	1.85	9.8	1503	145.60	35	1.95	11	1368	131.85	35	2.05	12	1224	116.92	35			2.10	14	1116	105.71	35	2.20	16	954	89.60	35	2.35	5.5	2457	258.18	25	1.00	GS89 GSF89 GSA89 GSAF89	4P	6.4	2142	222.40	26	1.10	7.0	1971	202.96	27	1.25	7.9	1773	180.00	27	1.35	9.5	1512	151.30	27	1.45	10	1395	139.05	28	1.50	12	1251	123.48	28	1.55	13	1125	110.40	28	1.60	14	1017	99.26	28	1.70	17	891	86.15	28	1.75	17	954	81.76	28	1.65	19	801	77.14	28	1.80																									
4.9	1841	190.74	32	2.15	GSAF109		2.4	3627	286.40	31	1.05			GS99	8P	72	150	19.54	5.8	1.30		2.6	3348	262.22	32	1.15		GSF99	2.9	2997	231.67	33	1.25	GSA99	3.5	2583	196.52	33	1.45	GSAF99	3.3	2835	286.40	33	1.35	GS99	6P	104	116	13.50	5.0		1.45	3.6	2619	262.22		33	1.45	GSF99	4.1	2340	231.67	34	1.65	GSA99	4.8	2007	196.52	34	1.75	GSAF99	4.9	1917	286.40	34	1.80	GS99	4P	121	99	11.53		4.8	1.55	5.3		1773	262.22	34	1.85	GSF99	6.0	1584	231.67	35	1.95	GSA99	7.1	1359	196.52	35	2.10	GSAF99	3.6	2466	258.18	25	0.90	GS89	6P	104	117		13.50	2.5		0.85	4.2	2151	222.40	26	1.00	GSF89	4.6	1980	202.96	27	1.10	GSA89	5.2	1782	180.00	27	1.20	GSAF89	4.9	1854	288.00	27	1.10	GS89 GSF89 GSA89 GSAF89	4P					121	101	11.53	2.5	1.00	5.4	1674	258.18	27	1.20	6.3	1467	222.40	28	1.40	6.9	1350	202.96	28	1.55	7.8	1206	180.00	28	1.60	9.3	1026	151.30	28	1.75	10	954	139.05	28	1.80	11	855	123.48	28	1.85	13	765	110.40	28	1.95	14	693	99.26	28	2.00	7.4	1197	189.09	10	1.10					GS79 GSF79 GSA79 GSAF79	4P	130	94	10.80	2.5	1.10	8.7	1035	161.60	12	1.15	9.4	954	148.15	13	1.30	11	846	130.00	13	1.35	11	810	123.20	14	1.40	13	716	107.83	14	1.45	14	653	97.14	15	1.50	16	576	85.22	15	1.60	19	585	75.09	13	1.50	20	558	71.33	13	1.55	21	459	66.67	14	1.70	22	495	63.03	13	1.65	25	396	56.92	13	1.80	26	423	53.87	13	1.75	28	392	49.38	12	1.80	32	347	43.33	12	1.90	16			540	85.83			7.5	0.85	GS69 GSF69 GSA69 GSAF69	4P	154	77	9.10	4.6	1.60	18	495	78.00	8.0	0.95	21	486	65.63	8.1	0.95	22	464	62.35	8.3	0.95	26	410	54.70	8.4	1.05	30	351	46.40	8.2	1.25	33	320	41.89	8.0	1.30	38	279	36.85	7.8	1.40	40	266	34.80	7.8	1.40	47	230	29.63	7.5	1.50	52	207	26.93	7.4	1.55	58	198	24.00	6.7	1.60	65	189	21.67	6.6	1.70	73	166	19.06	6.5	1.75	78	158	18.00	6.3	1.80	91	135	15.33	6.1	1.90	101	124	13.93	5.9	1.95	2.2kW							2.2kW							2.1	6672	688					40	1.00	GS109R79 GSF109R79 GSA109R79 GSAF109R79	4P	2.1			6672	688	40	1.00	GS99R59 GSF99R59 GSA99R59 GSAF99R59	4P	2.4	5832	602	40	1.10	3.4	4455	420	18	0.90	3.8	4014	376	27	1.00	4.4	3519	327	32	1.20	5.0			3114	287	33	1.35	5.7	2727	252	33			1.50	3.5	3782	271.63	35	1.50	GS109 GSA109 GSAF109 GSF109	6P	4.1	3228			229.96	33	1.65	4.4	3008	212.81	33	1.70	4.9	2701			190.74	32	1.75	5.3	2498	271.63	31	1.80	GS109 GSF109 GSA109 GSAF109	4P	6.2	2135	229.96	30	1.95	6.7	2117	212.81			29	2.00	7.5	1891	190.74	28	2.10	8.3	1708	172.20	27	2.15			9.1	1558	156.41	26	2.20	3.3			4077	286.40	29	1.00	GS99 GSF99 GSA99 GSAF99	6P	3.6	3762	262.22	31	1.30	4.1	3357	231.67			32	1.35	4.8	2889	196.52	33	1.45	5.0	2817	286.40	33	1.45	GS99 GSF99 GSA99 GSAF99	4P	5.5	2601	262.22	33	1.55	6.2	2313	231.67	34	1.65	7.3	1989	196.52	34	1.75	7.9	1845	180.95	34	1.80	8.8	1656	161.74	34	1.85			9.8	1503	145.60	35	1.95	11	1368	131.85	35	2.05	12	1224	116.92	35	2.10	14			1116	105.71	35	2.20	16	954	89.60	35	2.35	5.5	2457	258.18	25	1.00	GS89 GSF89 GSA89 GSAF89	4P	6.4	2142	222.40	26	1.10	7.0	1971	202.96	27	1.25	7.9	1773	180.00	27	1.35	9.5	1512	151.30	27	1.45	10	1395	139.05	28	1.50	12	1251	123.48	28	1.55	13	1125	110.40	28	1.60	14	1017	99.26	28	1.70	17	891	86.15	28	1.75	17	954	81.76	28	1.65	19	801	77.14	28	1.80									
2.4	3627	286.40	31	1.05	GS99	8P	72	150	19.54	5.8	1.30																																																																																																																																																																																																																																																																																																																																																																																																																																																																																																																																																																																																																																																																																					
2.6	3348	262.22	32	1.15	GSF99		2.9	2997	231.67	33	1.25			GSA99		3.5	2583	196.52	33	1.45		GSAF99	3.3	2835	286.40	33	1.35	GS99	6P	104	116	13.50	5.0	1.45	3.6	2619	262.22	33	1.45	GSF99	4.1	2340	231.67	34	1.65	GSA99		4.8	2007	196.52	34		1.75	GSAF99	4.9	1917	286.40	34	1.80	GS99	4P	121	99	11.53	4.8	1.55	5.3	1773	262.22	34	1.85	GSF99	6.0	1584	231.67	35	1.95	GSA99		7.1	1359	196.52		35	2.10	GSAF99	3.6	2466	258.18	25	0.90	GS89	6P	104	117	13.50	2.5	0.85	4.2	2151	222.40	26	1.00	GSF89	4.6	1980	202.96	27	1.10	GSA89		5.2	1782		180.00	27	1.20	GSAF89	4.9	1854	288.00	27	1.10	GS89 GSF89 GSA89 GSAF89	4P	121	101	11.53	2.5	1.00	5.4	1674	258.18	27	1.20	6.3	1467	222.40	28	1.40	6.9							1350	202.96	28	1.55	7.8	1206	180.00	28	1.60	9.3	1026	151.30	28	1.75	10	954	139.05	28	1.80	11	855	123.48	28	1.85	13	765	110.40	28	1.95	14	693	99.26	28	2.00	7.4	1197	189.09	10	1.10	GS79 GSF79 GSA79 GSAF79	4P	130	94	10.80	2.5	1.10	8.7	1035	161.60	12	1.15	9.4	954	148.15	13							1.30	11	846	130.00	13	1.35	11	810	123.20	14	1.40	13	716	107.83	14	1.45	14	653	97.14	15	1.50	16	576	85.22	15	1.60	19	585	75.09	13	1.50	20	558	71.33	13	1.55	21	459	66.67	14	1.70	22	495	63.03	13	1.65	25	396	56.92	13	1.80	26	423	53.87	13	1.75	28	392	49.38	12	1.80	32	347	43.33	12	1.90	16	540	85.83	7.5	0.85	GS69 GSF69 GSA69 GSAF69	4P	154	77	9.10	4.6	1.60	18	495	78.00			8.0	0.95			21	486			65.63	8.1	0.95	22	464	62.35	8.3	0.95	26	410	54.70	8.4	1.05	30	351	46.40	8.2	1.25	33	320	41.89	8.0	1.30	38	279	36.85	7.8	1.40	40	266	34.80	7.8	1.40	47	230	29.63	7.5	1.50	52	207	26.93	7.4	1.55	58	198	24.00	6.7	1.60	65	189	21.67	6.6	1.70	73	166	19.06	6.5	1.75	78	158	18.00	6.3	1.80	91	135	15.33	6.1	1.90	101	124	13.93	5.9	1.95	2.2kW							2.2kW							2.1	6672	688	40	1.00	GS109R79 GSF109R79 GSA109R79 GSAF109R79	4P	2.1	6672	688	40	1.00	GS99R59 GSF99R59 GSA99R59 GSAF99R59	4P	2.4					5832	602			40			1.10	3.4	4455	420			18	0.90	3.8	4014	376	27	1.00	4.4	3519	327	32	1.20	5.0	3114	287	33	1.35	5.7	2727	252	33	1.50	3.5	3782	271.63	35	1.50	GS109 GSA109 GSAF109 GSF109	6P	4.1	3228			229.96	33	1.65	4.4	3008	212.81			33	1.70			4.9	2701	190.74	32	1.75	5.3	2498	271.63	31	1.80			GS109 GSF109 GSA109 GSAF109	4P	6.2	2135	229.96	30	1.95	6.7			2117	212.81	29	2.00	7.5	1891	190.74	28			2.10	8.3	1708	172.20	27	2.15	9.1	1558	156.41	26	2.20	3.3			4077	286.40	29	1.00	GS99 GSF99 GSA99 GSAF99	6P			3.6	3762	262.22	31			1.30	4.1	3357	231.67	32	1.35	4.8	2889			196.52	33	1.45	5.0	2817	286.40	33	1.45	GS99 GSF99 GSA99 GSAF99	4P	5.5	2601			262.22	33	1.55	6.2	2313	231.67	34	1.65	7.3	1989	196.52	34	1.75	7.9	1845	180.95	34	1.80	8.8	1656	161.74	34	1.85	9.8	1503			145.60	35	1.95	11	1368	131.85	35	2.05	12	1224	116.92	35	2.10	14	1116	105.71			35	2.20	16	954	89.60	35	2.35	5.5	2457	258.18	25	1.00	GS89 GSF89 GSA89 GSAF89	4P			6.4	2142	222.40	26	1.10	7.0	1971	202.96	27	1.25	7.9	1773	180.00	27	1.35	9.5	1512	151.30	27	1.45	10	1395	139.05	28	1.50	12	1251	123.48	28	1.55	13	1125	110.40	28	1.60	14	1017	99.26	28	1.70	17	891	86.15	28	1.75	17	954	81.76	28	1.65	19	801	77.14	28	1.80									
2.9	2997	231.67	33	1.25	GSA99		3.5	2583	196.52	33	1.45			GSAF99		3.3	2835	286.40	33	1.35	GS99	6P	104	116	13.50	5.0	1.45	3.6		2619	262.22	33	1.45	GSF99	4.1	2340	231.67	34	1.65	GSA99	4.8	2007	196.52	34	1.75	GSAF99		4.9	1917	286.40	34	1.80	GS99	4P	121	99	11.53	4.8	1.55	5.3		1773	262.22	34	1.85	GSF99	6.0	1584	231.67	35	1.95	GSA99	7.1	1359	196.52	35	2.10	GSAF99		3.6	2466	258.18	25	0.90	GS89	6P	104	117	13.50	2.5	0.85	4.2		2151	222.40	26	1.00	GSF89	4.6	1980	202.96	27	1.10	GSA89	5.2	1782	180.00	27	1.20	GSAF89		4.9	1854	288.00	27	1.10	GS89 GSF89 GSA89 GSAF89	4P	121	101	11.53	2.5	1.00			5.4	1674	258.18	27	1.20	6.3	1467	222.40	28	1.40	6.9	1350	202.96	28	1.55	7.8							1206	180.00	28	1.60	9.3	1026	151.30	28	1.75	10	954	139.05	28	1.80	11	855	123.48	28	1.85	13	765	110.40	28	1.95	14	693	99.26	28	2.00	7.4	1197	189.09	10	1.10	GS79 GSF79 GSA79 GSAF79	4P	130	94	10.80			2.5	1.10	8.7	1035	161.60	12	1.15	9.4	954	148.15	13	1.30	11	846							130.00	13	1.35	11	810	123.20	14	1.40	13	716	107.83	14	1.45	14	653	97.14	15	1.50	16	576	85.22	15	1.60	19	585	75.09	13	1.50	20	558	71.33	13	1.55	21	459	66.67	14	1.70	22	495	63.03	13	1.65	25	396	56.92	13	1.80	26	423	53.87	13	1.75	28	392	49.38	12	1.80	32	347	43.33	12	1.90	16	540	85.83	7.5	0.85	GS69 GSF69 GSA69 GSAF69	4P	154			77	9.10	4.6	1.60	18	495	78.00	8.0			0.95	21			486	65.63			8.1	0.95	22	464	62.35	8.3	0.95	26	410	54.70	8.4	1.05	30	351	46.40	8.2	1.25	33	320	41.89	8.0	1.30	38	279	36.85	7.8	1.40	40	266	34.80	7.8	1.40	47	230	29.63	7.5	1.50	52	207	26.93	7.4	1.55	58	198	24.00	6.7	1.60	65	189	21.67	6.6	1.70	73	166	19.06	6.5	1.75	78	158	18.00	6.3	1.80	91	135	15.33	6.1	1.90	101	124	13.93	5.9	1.95	2.2kW							2.2kW							2.1	6672	688	40	1.00	GS109R79 GSF109R79 GSA109R79 GSAF109R79			4P	2.1	6672	688	40			1.00	GS99R59 GSF99R59 GSA99R59 GSAF99R59			4P	2.4	5832			602			40	1.10	3.4	4455			420	18	0.90	3.8	4014	376	27	1.00	4.4	3519	327	32	1.20	5.0	3114	287	33	1.35	5.7	2727	252	33	1.50	3.5	3782	271.63	35			1.50	GS109 GSA109 GSAF109 GSF109	6P	4.1	3228	229.96	33	1.65	4.4	3008			212.81	33			1.70	4.9	2701	190.74	32	1.75	5.3	2498	271.63	31					1.80	GS109 GSF109 GSA109 GSAF109	4P	6.2	2135	229.96			30	1.95	6.7	2117	212.81	29	2.00	7.5			1891	190.74	28	2.10	8.3	1708	172.20	27	2.15	9.1	1558	156.41			26	2.20	3.3	4077					286.40	29	1.00	GS99 GSF99 GSA99 GSAF99			6P	3.6	3762	262.22	31	1.30	4.1	3357			231.67	32	1.35	4.8	2889	196.52	33	1.45			5.0	2817			286.40	33	1.45	GS99 GSF99 GSA99 GSAF99	4P	5.5	2601	262.22	33	1.55	6.2	2313	231.67	34	1.65	7.3	1989	196.52	34	1.75	7.9	1845	180.95	34	1.80			8.8	1656	161.74	34	1.85	9.8	1503	145.60	35	1.95	11	1368	131.85	35	2.05	12			1224	116.92	35	2.10	14	1116	105.71	35	2.20	16	954	89.60					35	2.35	5.5	2457	258.18	25	1.00	GS89 GSF89 GSA89 GSAF89	4P	6.4	2142	222.40	26	1.10	7.0	1971	202.96	27	1.25	7.9	1773	180.00	27	1.35	9.5	1512	151.30	27	1.45	10	1395	139.05	28	1.50	12	1251	123.48	28	1.55	13	1125	110.40	28	1.60	14	1017	99.26	28	1.70	17	891	86.15	28	1.75	17	954	81.76	28	1.65	19	801	77.14	28	1.80
3.5	2583	196.52	33	1.45	GSAF99		3.3	2835	286.40	33	1.35			GS99	6P	104	116	13.50	5.0	1.45	3.6		2619	262.22	33	1.45	GSF99	4.1		2340	231.67	34	1.65	GSA99	4.8	2007	196.52	34	1.75	GSAF99	4.9	1917	286.40	34	1.80	GS99	4P	121	99	11.53	4.8	1.55	5.3		1773	262.22	34	1.85	GSF99	6.0		1584	231.67	35	1.95	GSA99	7.1	1359	196.52	35	2.10	GSAF99	3.6	2466	258.18	25	0.90	GS89	6P	104	117	13.50	2.5	0.85	4.2		2151	222.40	26	1.00	GSF89	4.6		1980	202.96	27	1.10	GSA89	5.2	1782	180.00	27	1.20	GSAF89	4.9	1854	288.00	27	1.10	GS89 GSF89 GSA89 GSAF89	4P	121	101	11.53	2.5	1.00			5.4	1674	258.18	27	1.20			6.3	1467	222.40	28	1.40	6.9	1350	202.96	28	1.55	7.8	1206	180.00	28	1.60	9.3							1026	151.30	28	1.75	10	954	139.05	28	1.80	11	855	123.48	28	1.85	13	765	110.40	28	1.95	14	693	99.26	28	2.00	7.4	1197	189.09	10	1.10	GS79 GSF79 GSA79 GSAF79	4P	130	94	10.80			2.5	1.10	8.7			1035	161.60	12	1.15	9.4	954	148.15	13	1.30	11	846	130.00	13	1.35							11	810	123.20	14	1.40	13	716	107.83	14	1.45	14	653	97.14	15	1.50	16	576	85.22	15	1.60	19	585	75.09	13	1.50	20	558	71.33	13	1.55	21	459	66.67	14	1.70	22	495	63.03	13	1.65	25	396	56.92	13	1.80	26	423	53.87	13	1.75	28	392	49.38	12	1.80	32	347	43.33	12	1.90	16	540	85.83	7.5	0.85	GS69 GSF69 GSA69 GSAF69	4P	154			77			9.10	4.6	1.60	18	495	78.00	8.0	0.95			21	486			65.63	8.1			0.95	22	464	62.35	8.3	0.95	26	410	54.70	8.4	1.05	30	351	46.40	8.2	1.25	33	320	41.89	8.0	1.30	38	279	36.85	7.8	1.40	40	266	34.80	7.8	1.40	47	230	29.63	7.5	1.50	52	207	26.93	7.4	1.55	58	198	24.00	6.7	1.60	65	189	21.67	6.6	1.70	73	166	19.06	6.5	1.75	78	158	18.00	6.3	1.80	91	135	15.33	6.1	1.90	101	124	13.93	5.9	1.95	2.2kW							2.2kW							2.1	6672	688	40	1.00	GS109R79 GSF109R79 GSA109R79 GSAF109R79					4P	2.1	6672	688			40					1.00	GS99R59 GSF99R59 GSA99R59 GSAF99R59	4P	2.4	5832			602	40	1.10	3.4			4455	420	18	0.90	3.8	4014	376	27	1.00	4.4	3519	327	32	1.20	5.0	3114	287	33	1.35	5.7	2727	252	33	1.50	3.5	3782	271.63			35			1.50	GS109 GSA109 GSAF109 GSF109	6P	4.1	3228	229.96	33	1.65	4.4	3008	212.81	33	1.70	4.9	2701	190.74	32	1.75	5.3	2498	271.63	31	1.80					GS109 GSF109 GSA109 GSAF109			4P	6.2	2135			229.96	30	1.95	6.7	2117	212.81	29	2.00	7.5	1891	190.74	28	2.10	8.3	1708	172.20	27	2.15	9.1	1558	156.41	26			2.20	3.3	4077	286.40					29	1.00	GS99 GSF99 GSA99 GSAF99					6P	3.6	3762	262.22	31	1.30	4.1			3357	231.67	32	1.35	4.8	2889	196.52	33			1.45	5.0			2817	286.40	33			1.45	GS99 GSF99 GSA99 GSAF99	4P	5.5	2601	262.22	33	1.55	6.2	2313	231.67	34	1.65	7.3	1989	196.52	34	1.75	7.9	1845			180.95	34	1.80	8.8	1656	161.74	34	1.85	9.8	1503	145.60	35	1.95	11	1368	131.85			35	2.05	12	1224	116.92	35	2.10	14	1116	105.71	35	2.20					16	954	89.60	35	2.35	5.5	2457			258.18	25	1.00	GS89 GSF89 GSA89 GSAF89	4P	6.4	2142	222.40	26	1.10	7.0	1971	202.96	27	1.25	7.9	1773	180.00	27	1.35	9.5	1512	151.30	27	1.45	10	1395	139.05	28	1.50	12	1251	123.48	28	1.55	13	1125	110.40	28	1.60	14	1017	99.26	28	1.70	17	891	86.15	28	1.75	17	954	81.76	28	1.65
3.3	2835	286.40	33	1.35	GS99	6P	104	116	13.50	5.0	1.45																																																																																																																																																																																																																																																																																																																																																																																																																																																																																																																																																																																																																																																																																					
3.6	2619	262.22	33	1.45	GSF99		4.1	2340	231.67	34	1.65			GSA99		4.8	2007	196.52	34	1.75	GSAF99		4.9	1917	286.40	34	1.80	GS99	4P	121	99	11.53	4.8	1.55	5.3	1773	262.22	34	1.85	GSF99	6.0	1584	231.67	35	1.95	GSA99		7.1	1359	196.52	35	2.10	GSAF99		3.6	2466	258.18	25	0.90	GS89	6P	104	117	13.50	2.5	0.85	4.2	2151	222.40	26	1.00	GSF89	4.6	1980	202.96	27	1.10	GSA89		5.2	1782	180.00	27	1.20	GSAF89		4.9	1854	288.00	27	1.10	GS89 GSF89 GSA89 GSAF89	4P	121	101	11.53	2.5	1.00	5.4	1674	258.18	27	1.20	6.3	1467	222.40	28	1.40	6.9			1350	202.96	28	1.55	7.8			1206	180.00	28	1.60	9.3			1026	151.30	28	1.75	10	954	139.05	28	1.80	11	855	123.48	28	1.85	13	765							110.40	28	1.95	14	693	99.26	28	2.00	7.4	1197	189.09	10	1.10	GS79 GSF79 GSA79 GSAF79	4P	130	94	10.80	2.5	1.10	8.7	1035	161.60	12	1.15	9.4	954	148.15	13			1.30	11	846			130.00	13	1.35			11	810	123.20	14	1.40	13	716	107.83	14	1.45	14	653	97.14	15							1.50	16	576	85.22	15	1.60	19	585	75.09	13	1.50	20	558	71.33	13	1.55	21	459	66.67	14	1.70	22	495	63.03	13	1.65	25	396	56.92	13	1.80	26	423	53.87	13	1.75	28	392	49.38	12	1.80	32	347	43.33	12	1.90	16	540	85.83	7.5	0.85	GS69 GSF69 GSA69 GSAF69	4P	154	77	9.10	4.6	1.60	18	495	78.00	8.0	0.95	21	486			65.63			8.1			0.95	22	464	62.35	8.3	0.95	26	410			54.70	8.4			1.05	30			351	46.40	8.2	1.25	33	320	41.89	8.0	1.30	38	279	36.85	7.8	1.40	40	266	34.80	7.8	1.40	47	230	29.63	7.5	1.50	52	207	26.93	7.4	1.55	58	198	24.00	6.7	1.60	65	189	21.67	6.6	1.70	73	166	19.06	6.5	1.75	78	158	18.00	6.3	1.80	91	135	15.33	6.1	1.90	101	124	13.93	5.9	1.95	2.2kW							2.2kW							2.1	6672	688	40	1.00	GS109R79 GSF109R79 GSA109R79 GSAF109R79	4P	2.1	6672	688	40	1.00	GS99R59 GSF99R59 GSA99R59 GSAF99R59	4P	2.4	5832	602			40	1.10			3.4	4455	420			18					0.90			3.8	4014			376	27	1.00	4.4			3519	327	32	1.20	5.0	3114	287	33	1.35	5.7	2727	252	33	1.50	3.5	3782	271.63	35	1.50	GS109 GSA109 GSAF109 GSF109	6P	4.1	3228	229.96	33	1.65	4.4	3008	212.81	33			1.70			4.9	2701	190.74	32	1.75	5.3	2498	271.63	31	1.80	GS109 GSF109 GSA109 GSAF109	4P	6.2	2135	229.96	30	1.95	6.7	2117	212.81	29	2.00							7.5	1891	190.74	28	2.10	8.3	1708	172.20	27	2.15	9.1	1558	156.41	26	2.20	3.3	4077	286.40	29	1.00	GS99 GSF99 GSA99 GSAF99	6P	3.6	3762	262.22	31	1.30	4.1	3357	231.67	32	1.35					4.8	2889			196.52	33			1.45	5.0	2817	286.40	33	1.45			GS99 GSF99 GSA99 GSAF99	4P	5.5	2601	262.22	33	1.55	6.2			2313	231.67			34	1.65	7.3			1989			196.52	34	1.75	7.9	1845	180.95	34	1.80	8.8	1656	161.74	34	1.85	9.8	1503	145.60	35			1.95	11	1368	131.85	35	2.05	12	1224	116.92	35	2.10	14	1116	105.71	35	2.20			16	954	89.60	35	2.35	5.5	2457	258.18	25	1.00	GS89 GSF89 GSA89 GSAF89	4P					6.4	2142	222.40	26	1.10	7.0	1971			202.96	27	1.25			7.9	1773	180.00	27	1.35	9.5	1512	151.30	27	1.45	10	1395	139.05	28	1.50	12	1251	123.48	28	1.55	13	1125	110.40	28	1.60	14	1017	99.26	28	1.70	17	891	86.15	28	1.75	17	954	81.76	28	1.65	19	801	77.14	28	1.80					
4.1	2340	231.67	34	1.65	GSA99		4.8	2007	196.52	34	1.75	GSAF99	4.9	1917		286.40	34	1.80	GS99	4P	121	99	11.53	4.8	1.55	5.3	1773	262.22		34	1.85	GSF99	6.0	1584	231.67	35	1.95	GSA99	7.1	1359	196.52	35	2.10	GSAF99	3.6	2466		258.18	25	0.90	GS89	6P	104	117	13.50	2.5	0.85	4.2	2151	222.40		26	1.00	GSF89	4.6	1980	202.96	27	1.10	GSA89	5.2	1782	180.00	27	1.20	GSAF89	4.9	1854		288.00	27	1.10	GS89 GSF89 GSA89 GSAF89	4P	121	101	11.53	2.5	1.00	5.4	1674			258.18	27	1.20	6.3	1467	222.40	28	1.40	6.9	1350	202.96	28	1.55	7.8	1206	180.00			28	1.60	9.3	1026	151.30			28	1.75	10	954	139.05			28	1.80	11	855	123.48	28	1.85	13	765	110.40	28	1.95	14	693	99.26	28							2.00	7.4	1197	189.09	10	1.10	GS79 GSF79 GSA79 GSAF79	4P	130	94	10.80	2.5	1.10			8.7	1035	161.60	12	1.15	9.4	954	148.15	13	1.30	11	846	130.00	13			1.35	11	810			123.20	14	1.40			13	716	107.83	14	1.45	14	653	97.14	15	1.50	16	576	85.22	15							1.60	19	585	75.09	13	1.50	20	558	71.33	13	1.55	21	459	66.67	14	1.70	22	495	63.03	13	1.65	25	396	56.92	13	1.80	26	423	53.87	13	1.75	28	392	49.38	12	1.80	32	347	43.33	12	1.90	16	540	85.83	7.5	0.85	GS69 GSF69 GSA69 GSAF69	4P	154	77	9.10			4.6	1.60	18	495	78.00	8.0	0.95	21	486	65.63	8.1	0.95			22			464			62.35	8.3	0.95	26	410	54.70	8.4	1.05			30	351			46.40	8.2			1.25	33	320	41.89	8.0	1.30	38	279	36.85	7.8	1.40	40	266	34.80	7.8	1.40	47	230	29.63	7.5	1.50	52	207	26.93	7.4	1.55	58	198	24.00	6.7	1.60	65	189	21.67	6.6	1.70	73	166	19.06	6.5	1.75	78	158	18.00	6.3	1.80	91	135	15.33	6.1	1.90	101	124	13.93	5.9	1.95	2.2kW							2.2kW							2.1	6672	688	40	1.00	GS109R79 GSF109R79 GSA109R79 GSAF109R79	4P	2.1			6672	688	40	1.00	GS99R59 GSF99R59 GSA99R59 GSAF99R59			4P	2.4	5832		602	40	1.10	3.4		4455	420	18			0.90					3.8			4014	376			27	1.00	4.4	3519			327	32	1.20	5.0	3114	287	33	1.35	5.7	2727	252	33	1.50	3.5	3782	271.63	35	1.50	GS109 GSA109 GSAF109 GSF109			6P	4.1	3228	229.96	33	1.65	4.4	3008	212.81	33	1.70	4.9			2701	190.74	32	1.75	5.3	2498	271.63	31	1.80	GS109 GSF109 GSA109 GSAF109			4P	6.2	2135	229.96	30	1.95	6.7	2117	212.81	29							2.00	7.5	1891	190.74	28	2.10	8.3	1708	172.20	27	2.15	9.1	1558	156.41	26	2.20	3.3	4077	286.40	29			1.00	GS99 GSF99 GSA99 GSAF99	6P	3.6	3762	262.22	31	1.30	4.1	3357					231.67	32			1.35	4.8			2889	196.52	33	1.45	5.0	2817					286.40	33	1.45	GS99 GSF99 GSA99 GSAF99	4P	5.5			2601	262.22			33	1.55	6.2			2313			231.67	34	1.65	7.3	1989	196.52	34	1.75	7.9	1845	180.95	34	1.80	8.8	1656	161.74	34			1.85	9.8	1503	145.60	35	1.95	11	1368	131.85	35	2.05	12	1224	116.92	35	2.10			14	1116	105.71	35	2.20	16	954	89.60	35	2.35							5.5	2457	258.18	25	1.00	GS89 GSF89 GSA89 GSAF89	4P			6.4	2142	222.40			26	1.10	7.0	1971	202.96	27	1.25	7.9	1773	180.00	27	1.35	9.5	1512	151.30	27	1.45	10	1395	139.05	28	1.50	12	1251	123.48	28	1.55	13	1125	110.40	28	1.60	14	1017	99.26	28	1.70	17	891	86.15	28	1.75	17	954	81.76	28	1.65	19	801	77.14
4.8	2007	196.52	34	1.75	GSAF99		4.9	1917	286.40	34	1.80	GS99	4P	121	99	11.53	4.8	1.55	5.3		1773	262.22	34	1.85	GSF99	6.0	1584	231.67		35	1.95	GSA99	7.1	1359	196.52	35	2.10	GSAF99	3.6	2466	258.18	25	0.90	GS89	6P	104	117	13.50	2.5	0.85	4.2		2151	222.40	26	1.00	GSF89	4.6	1980	202.96		27	1.10	GSA89	5.2	1782	180.00	27	1.20	GSAF89	4.9	1854	288.00	27	1.10	GS89 GSF89 GSA89 GSAF89	4P	121	101	11.53	2.5	1.00			5.4	1674	258.18	27	1.20	6.3	1467			222.40	28	1.40	6.9	1350	202.96	28	1.55	7.8	1206	180.00	28	1.60	9.3	1026	151.30			28	1.75	10	954	139.05			28	1.80	11	855	123.48			28	1.85	13	765	110.40	28	1.95	14	693	99.26	28	2.00	7.4	1197	189.09	10					1.10	GS79 GSF79 GSA79 GSAF79	4P	130	94	10.80	2.5	1.10			8.7	1035	161.60	12	1.15			9.4	954	148.15	13	1.30	11	846	130.00	13	1.35	11	810	123.20	14			1.40	13	716			107.83	14	1.45			14	653	97.14	15	1.50	16	576	85.22	15	1.60	19	585	75.09	13							1.50	20	558	71.33	13	1.55	21	459	66.67	14	1.70	22	495	63.03	13	1.65	25	396	56.92	13	1.80	26	423	53.87	13	1.75	28	392	49.38	12	1.80	32	347	43.33	12	1.90	16	540	85.83	7.5	0.85	GS69 GSF69 GSA69 GSAF69	4P	154	77	9.10			4.6	1.60	18			495	78.00	8.0	0.95	21	486	65.63	8.1	0.95	22	464	62.35			8.3			0.95			26	410	54.70	8.4	1.05	30	351	46.40			8.2	1.25			33	320			41.89	8.0	1.30	38	279	36.85	7.8	1.40	40	266	34.80	7.8	1.40	47	230	29.63	7.5	1.50	52	207	26.93	7.4	1.55	58	198	24.00	6.7	1.60	65	189	21.67	6.6	1.70	73	166	19.06	6.5	1.75	78	158	18.00	6.3	1.80	91	135	15.33	6.1	1.90	101	124	13.93	5.9	1.95	2.2kW							2.2kW							2.1	6672	688	40	1.00	GS109R79 GSF109R79 GSA109R79 GSAF109R79	4P	2.1			6672			688	40	1.00	GS99R59 GSF99R59 GSA99R59 GSAF99R59					4P	2.4	5832	602	40	1.10	3.4	4455	420	18	0.90			3.8		4014	376		27			1.00	4.4			3519	327	32	1.20			5.0	3114	287	33	1.35	5.7	2727	252	33	1.50	3.5	3782	271.63	35	1.50	GS109 GSA109 GSAF109 GSF109	6P	4.1					3228	229.96	33	1.65	4.4	3008	212.81	33	1.70	4.9	2701	190.74	32	1.75	5.3	2498	271.63	31	1.80	GS109 GSF109 GSA109 GSAF109	4P	6.2					2135	229.96	30	1.95	6.7	2117	212.81	29	2.00	7.5	1891					190.74	28	2.10	8.3	1708	172.20	27	2.15	9.1	1558	156.41	26	2.20	3.3	4077	286.40	29	1.00	GS99 GSF99 GSA99 GSAF99	6P			3.6			3762	262.22	31	1.30	4.1	3357	231.67	32	1.35	4.8	2889	196.52	33			1.45	5.0			2817	286.40	33	1.45	GS99 GSF99 GSA99 GSAF99	4P					5.5	2601	262.22			33			1.55	6.2			2313	231.67	34			1.65			7.3	1989	196.52	34	1.75	7.9	1845	180.95	34	1.80	8.8	1656	161.74	34	1.85	9.8	1503			145.60	35	1.95	11	1368	131.85	35	2.05	12	1224	116.92	35	2.10	14	1116	105.71			35	2.20	16	954	89.60	35	2.35	5.5	2457	258.18							25	1.00	GS89 GSF89 GSA89 GSAF89	4P	6.4					2142	222.40	26			1.10	7.0	1971	202.96	27	1.25	7.9	1773	180.00	27	1.35	9.5	1512	151.30	27	1.45	10	1395	139.05	28	1.50	12	1251	123.48	28	1.55	13	1125	110.40	28	1.60	14	1017	99.26	28	1.70	17	891	86.15	28	1.75	17	954	81.76	28	1.65	19	801	77.14	28
4.9	1917	286.40	34	1.80	GS99	4P	121	99	11.53	4.8	1.55																																																																																																																																																																																																																																																																																																																																																																																																																																																																																																																																																																																																																																																																																					
5.3	1773	262.22	34	1.85	GSF99		6.0	1584	231.67	35	1.95	GSA99		7.1	1359	196.52	35	2.10	GSAF99		3.6	2466	258.18	25	0.90	GS89	6P	104	117	13.50	2.5	0.85	4.2	2151	222.40	26	1.00	GSF89	4.6	1980	202.96	27	1.10	GSA89		5.2	1782	180.00	27	1.20	GSAF89		4.9	1854	288.00	27	1.10	GS89 GSF89 GSA89 GSAF89	4P	121	101	11.53	2.5	1.00	5.4	1674	258.18	27	1.20	6.3	1467	222.40	28	1.40	6.9			1350	202.96	28	1.55	7.8			1206	180.00	28	1.60	9.3	1026	151.30			28	1.75	10	954	139.05	28	1.80	11	855	123.48	28	1.85	13	765	110.40	28			1.95	14	693	99.26	28			2.00	7.4	1197	189.09	10			1.10	GS79 GSF79 GSA79 GSAF79	4P	130	94	10.80	2.5	1.10	8.7	1035	161.60	12	1.15	9.4	954	148.15	13	1.30	11	846	130.00			13	1.35	11	810	123.20			14	1.40	13	716	107.83			14	1.45	14	653	97.14	15	1.50	16	576	85.22	15	1.60	19	585			75.09	13	1.50			20	558	71.33			13	1.55	21	459	66.67	14	1.70	22	495	63.03	13	1.65	25	396							56.92	13	1.80	26	423	53.87	13	1.75	28	392	49.38	12	1.80	32	347	43.33	12	1.90	16	540	85.83	7.5	0.85	GS69 GSF69 GSA69 GSAF69	4P	154	77	9.10	4.6	1.60	18	495	78.00	8.0	0.95	21	486	65.63	8.1	0.95	22			464	62.35	8.3			0.95	26	410			54.70	8.4	1.05	30	351	46.40	8.2	1.25	33	320	41.89	8.0			1.30			38			279	36.85	7.8	1.40	40	266	34.80	7.8			1.40	47			230	29.63			7.5	1.50	52	207	26.93	7.4	1.55	58	198	24.00	6.7	1.60	65	189	21.67	6.6	1.70	73	166	19.06	6.5	1.75	78	158	18.00	6.3	1.80	91	135	15.33	6.1	1.90	101	124	13.93	5.9	1.95	2.2kW							2.2kW							2.1	6672	688	40	1.00	GS109R79 GSF109R79 GSA109R79 GSAF109R79	4P	2.1	6672	688	40	1.00	GS99R59 GSF99R59 GSA99R59 GSAF99R59	4P	2.4	5832	602	40	1.10	3.4	4455			420			18	0.90	3.8	4014	376	27							1.00	4.4	3519	327	32	1.20	5.0	3114	287	33			1.35		5.7	2727		252			33	1.50	3.5	3782	271.63	35	1.50	GS109 GSA109 GSAF109 GSF109	6P	4.1	3228	229.96	33	1.65	4.4	3008	212.81	33	1.70	4.9	2701	190.74	32	1.75	5.3			2498		271.63	31		1.80	GS109 GSF109 GSA109 GSAF109	4P	6.2	2135	229.96	30	1.95	6.7	2117	212.81	29	2.00	7.5	1891	190.74	28	2.10	8.3			1708					172.20	27	2.15	9.1	1558	156.41	26	2.20	3.3	4077	286.40	29	1.00	GS99 GSF99 GSA99 GSAF99	6P	3.6	3762	262.22	31	1.30	4.1	3357	231.67	32	1.35	4.8	2889	196.52	33	1.45	5.0	2817	286.40					33			1.45	GS99 GSF99 GSA99 GSAF99	4P	5.5	2601	262.22	33	1.55	6.2	2313	231.67	34	1.65	7.3	1989	196.52	34	1.75	7.9	1845	180.95	34	1.80			8.8	1656			161.74	34	1.85			9.8			1503	145.60	35	1.95	11	1368	131.85			35			2.05	12	1224	116.92	35	2.10	14	1116	105.71	35	2.20	16	954	89.60	35	2.35	5.5			2457	258.18	25	1.00	GS89 GSF89 GSA89 GSAF89	4P	6.4	2142	222.40	26	1.10	7.0	1971	202.96	27	1.25			7.9	1773	180.00	27	1.35	9.5	1512	151.30	27	1.45							10	1395			139.05					28	1.50	12			1251	123.48	28	1.55	13	1125	110.40	28	1.60	14	1017	99.26	28	1.70	17	891	86.15	28	1.75	17	954	81.76	28	1.65	19	801	77.14	28	1.80																					
6.0	1584	231.67	35	1.95	GSA99		7.1	1359	196.52	35	2.10	GSAF99		3.6	2466	258.18	25	0.90	GS89	6P	104	117	13.50	2.5	0.85	4.2		2151	222.40	26	1.00	GSF89	4.6	1980	202.96	27	1.10	GSA89	5.2	1782	180.00	27	1.20	GSAF89		4.9	1854	288.00	27	1.10	GS89 GSF89 GSA89 GSAF89	4P	121	101	11.53	2.5	1.00			5.4	1674	258.18	27	1.20	6.3	1467	222.40	28	1.40	6.9	1350	202.96	28	1.55	7.8			1206	180.00	28	1.60	9.3			1026	151.30	28	1.75	10	954	139.05			28	1.80	11	855	123.48	28	1.85	13	765	110.40	28	1.95	14	693	99.26	28			2.00	7.4	1197	189.09	10			1.10	GS79 GSF79 GSA79 GSAF79	4P	130	94			10.80			2.5	1.10	8.7	1035	161.60	12	1.15	9.4	954	148.15	13	1.30	11	846	130.00	13	1.35	11			810	123.20	14	1.40	13			716	107.83	14	1.45	14			653	97.14	15	1.50	16	576	85.22	15	1.60	19	585	75.09	13	1.50			20	558	71.33			13	1.55	21			459	66.67	14	1.70	22	495	63.03	13	1.65	25	396	56.92	13	1.80							26	423	53.87	13	1.75	28	392	49.38	12	1.80	32	347	43.33	12	1.90	16	540	85.83	7.5	0.85	GS69 GSF69 GSA69 GSAF69	4P	154			77	9.10	4.6	1.60	18	495	78.00	8.0	0.95	21	486	65.63	8.1	0.95	22	464			62.35	8.3	0.95			26	410	54.70			8.4	1.05	30	351	46.40	8.2	1.25	33	320	41.89	8.0	1.30			38			279			36.85	7.8	1.40	40	266	34.80	7.8	1.40			47	230			29.63	7.5			1.50	52	207	26.93	7.4	1.55	58	198	24.00	6.7	1.60	65	189	21.67	6.6	1.70	73	166	19.06	6.5	1.75	78	158	18.00	6.3	1.80	91	135	15.33	6.1	1.90	101	124	13.93	5.9	1.95	2.2kW							2.2kW							2.1	6672	688	40	1.00	GS109R79 GSF109R79 GSA109R79 GSAF109R79			4P	2.1	6672	688	40			1.00	GS99R59 GSF99R59 GSA99R59 GSAF99R59	4P	2.4	5832	602	40			1.10	3.4	4455	420	18	0.90	3.8	4014	376							27	1.00	4.4	3519	327	32	1.20	5.0	3114	287			33		1.35	5.7		2727			252	33	1.50	3.5	3782	271.63	35			1.50	GS109 GSA109 GSAF109 GSF109	6P	4.1	3228	229.96	33	1.65	4.4	3008	212.81	33	1.70	4.9	2701	190.74			32	1.75	5.3	2498	271.63	31			1.80	GS109 GSF109 GSA109 GSAF109	4P	6.2	2135	229.96	30	1.95	6.7	2117	212.81	29	2.00	7.5	1891	190.74			28					2.10	8.3	1708	172.20	27	2.15	9.1	1558	156.41	26	2.20	3.3	4077			286.40	29	1.00	GS99 GSF99 GSA99 GSAF99	6P	3.6	3762	262.22	31	1.30	4.1	3357	231.67	32	1.35	4.8	2889	196.52					33			1.45			5.0	2817	286.40	33	1.45	GS99 GSF99 GSA99 GSAF99	4P	5.5	2601	262.22	33	1.55	6.2	2313	231.67	34	1.65	7.3	1989	196.52			34	1.75			7.9	1845	180.95			34			1.80	8.8	1656	161.74	34	1.85	9.8			1503			145.60	35	1.95	11	1368	131.85	35	2.05	12	1224	116.92	35	2.10	14	1116	105.71	35			2.20	16	954	89.60			35	2.35	5.5	2457	258.18	25	1.00	GS89 GSF89 GSA89 GSAF89	4P	6.4			2142	222.40	26	1.10	7.0	1971	202.96	27	1.25	7.9							1773	180.00			27					1.35	9.5	1512			151.30	27	1.45	10	1395	139.05	28	1.50	12	1251	123.48	28	1.55	13	1125	110.40	28	1.60	14	1017	99.26	28	1.70	17	891	86.15	28	1.75	17	954	81.76	28	1.65	19	801	77.14	28	1.80												
7.1	1359	196.52	35	2.10	GSAF99		3.6	2466	258.18	25	0.90	GS89	6P	104	117	13.50	2.5	0.85	4.2		2151	222.40	26	1.00	GSF89	4.6		1980	202.96	27	1.10	GSA89	5.2	1782	180.00	27	1.20	GSAF89	4.9	1854	288.00	27	1.10	GS89 GSF89 GSA89 GSAF89	4P	121	101	11.53	2.5	1.00			5.4	1674	258.18	27	1.20			6.3	1467	222.40	28	1.40	6.9	1350	202.96	28	1.55	7.8	1206	180.00	28	1.60	9.3			1026	151.30	28	1.75	10			954	139.05	28	1.80	11	855	123.48			28	1.85	13	765	110.40	28	1.95	14	693	99.26	28	2.00	7.4	1197	189.09	10			1.10	GS79 GSF79 GSA79 GSAF79	4P	130	94			10.80			2.5	1.10	8.7	1035	161.60			12	1.15	9.4	954	148.15	13	1.30	11	846	130.00	13	1.35	11	810	123.20	14	1.40	13			716	107.83	14	1.45	14			653	97.14	15	1.50	16			576	85.22	15	1.60	19	585	75.09	13	1.50	20	558	71.33	13	1.55			21	459	66.67			14	1.70	22			495	63.03	13	1.65	25	396	56.92	13	1.80	26	423	53.87	13	1.75	28	392					49.38	12	1.80	32	347	43.33	12	1.90	16	540	85.83	7.5	0.85	GS69 GSF69 GSA69 GSAF69	4P	154	77	9.10	4.6	1.60			18			495	78.00	8.0	0.95	21	486	65.63	8.1	0.95	22	464	62.35	8.3	0.95	26	410			54.70	8.4	1.05			30	351	46.40			8.2	1.25	33	320	41.89	8.0	1.30	38	279	36.85	7.8	1.40			40			266			34.80	7.8	1.40	47	230	29.63	7.5	1.50	52	207	26.93	7.4			1.55	58			198	24.00	6.7	1.60	65	189	21.67	6.6	1.70	73	166	19.06	6.5	1.75	78	158	18.00	6.3	1.80	91	135	15.33	6.1	1.90	101	124	13.93	5.9	1.95	2.2kW							2.2kW							2.1	6672	688	40	1.00	GS109R79 GSF109R79 GSA109R79 GSAF109R79	4P	2.1	6672	688	40	1.00					GS99R59 GSF99R59 GSA99R59 GSAF99R59	4P	2.4	5832			602			40	1.10	3.4	4455	420	18	0.90	3.8	4014	376	27	1.00	4.4	3519	327							32	1.20	5.0	3114	287	33	1.35	5.7	2727	252	33	1.50	3.5		3782	271.63		35			1.50	GS109 GSA109 GSAF109 GSF109	6P	4.1	3228	229.96	33			1.65			4.4	3008	212.81	33	1.70	4.9	2701	190.74	32	1.75	5.3	2498	271.63	31	1.80	GS109 GSF109 GSA109 GSAF109	4P	6.2	2135	229.96	30			1.95			6.7	2117	212.81	29	2.00	7.5	1891	190.74	28	2.10	8.3	1708	172.20			27		2.15	9.1		1558	156.41	26	2.20	3.3	4077	286.40	29	1.00	GS99 GSF99 GSA99 GSAF99	6P	3.6	3762			262.22	31	1.30			4.1	3357	231.67	32	1.35	4.8	2889	196.52	33	1.45	5.0	2817	286.40			33	1.45	GS99 GSF99 GSA99 GSAF99			4P			5.5	2601	262.22	33	1.55			6.2	2313	231.67	34	1.65	7.3	1989	196.52	34	1.75	7.9	1845	180.95			34	1.80			8.8	1656	161.74			34	1.85	9.8	1503	145.60	35	1.95	11	1368	131.85			35			2.05	12	1224	116.92	35	2.10	14	1116	105.71	35	2.20	16	954	89.60	35	2.35	5.5	2457	258.18	25	1.00	GS89 GSF89 GSA89 GSAF89	4P			6.4	2142	222.40	26	1.10	7.0	1971			202.96			27	1.25	7.9	1773	180.00	27	1.35	9.5	1512	151.30							27	1.45			10					1395	139.05	28			1.50	12	1251	123.48	28	1.55	13	1125	110.40	28	1.60	14	1017	99.26	28	1.70	17	891	86.15	28	1.75	17	954	81.76	28	1.65	19	801	77.14	28	1.80																			
3.6	2466	258.18	25	0.90	GS89	6P	104	117	13.50	2.5	0.85																																																																																																																																																																																																																																																																																																																																																																																																																																																																																																																																																																																																																																																																																					
4.2	2151	222.40	26	1.00	GSF89		4.6	1980	202.96	27	1.10	GSA89		5.2	1782	180.00	27	1.20	GSAF89		4.9	1854	288.00	27	1.10	GS89 GSF89 GSA89 GSAF89	4P	121	101	11.53	2.5	1.00	5.4	1674	258.18	27	1.20	6.3	1467	222.40	28	1.40	6.9			1350	202.96	28	1.55	7.8			1206	180.00	28	1.60	9.3			1026	151.30	28	1.75	10	954	139.05	28	1.80	11	855	123.48	28	1.85	13	765			110.40	28	1.95	14	693			99.26	28	2.00	7.4	1197	189.09	10			1.10	GS79 GSF79 GSA79 GSAF79	4P	130	94	10.80	2.5	1.10	8.7	1035	161.60	12	1.15	9.4	954	148.15	13	1.30	11			846	130.00	13	1.35	11			810	123.20	14	1.40	13			716	107.83	14	1.45	14	653	97.14	15	1.50	16	576	85.22	15	1.60	19	585	75.09	13			1.50	20	558	71.33	13			1.55	21	459	66.67	14			1.70	22	495	63.03	13	1.65	25	396	56.92	13	1.80	26	423	53.87			13	1.75	28			392	49.38	12			1.80	32	347	43.33	12	1.90	16	540	85.83	7.5	0.85	GS69 GSF69 GSA69 GSAF69	4P	154	77	9.10	4.6	1.60	18	495	78.00	8.0	0.95	21	486	65.63	8.1	0.95	22	464	62.35	8.3	0.95			26	410	54.70	8.4	1.05			30			351	46.40	8.2	1.25	33	320	41.89	8.0	1.30	38	279	36.85	7.8	1.40	40	266			34.80	7.8	1.40			47	230	29.63			7.5	1.50	52	207	26.93	7.4	1.55	58	198	24.00	6.7	1.60			65			189			21.67	6.6	1.70	73	166	19.06	6.5	1.75	78	158	18.00	6.3	1.80	91	135	15.33	6.1	1.90	101	124	13.93	5.9	1.95	2.2kW							2.2kW							2.1	6672	688	40	1.00	GS109R79 GSF109R79 GSA109R79 GSAF109R79	4P	2.1	6672	688	40	1.00	GS99R59 GSF99R59 GSA99R59 GSAF99R59	4P	2.4	5832	602	40	1.10	3.4	4455	420	18	0.90	3.8	4014	376	27	1.00			4.4	3519	327	32	1.20		5.0	3114				287	33			1.35			5.7	2727	252	33	1.50	3.5	3782	271.63	35	1.50	GS109 GSA109 GSAF109 GSF109	6P	4.1	3228	229.96							33	1.65	4.4	3008	212.81	33	1.70	4.9	2701	190.74	32	1.75	5.3	2498	271.63	31	1.80	GS109 GSF109 GSA109 GSAF109	4P	6.2	2135			229.96	30	1.95	6.7	2117	212.81	29			2.00	7.5	1891	190.74	28	2.10	8.3	1708	172.20	27	2.15	9.1	1558	156.41	26			2.20	3.3	4077	286.40			29			1.00	GS99 GSF99 GSA99 GSAF99	6P	3.6	3762	262.22	31	1.30	4.1	3357	231.67	32	1.35	4.8	2889	196.52	33	1.45	5.0	2817	286.40	33	1.45	GS99 GSF99 GSA99 GSAF99	4P	5.5	2601	262.22	33			1.55	6.2			2313	231.67	34			1.65	7.3	1989	196.52	34	1.75	7.9	1845	180.95	34	1.80	8.8	1656	161.74	34	1.85	9.8		1503	145.60				35	1.95	11	1368	131.85			35	2.05	12	1224	116.92	35	2.10	14	1116	105.71	35	2.20	16			954	89.60			35	2.35	5.5			2457	258.18	25	1.00	GS89 GSF89 GSA89 GSAF89	4P	6.4	2142	222.40	26	1.10	7.0	1971	202.96	27	1.25	7.9	1773	180.00	27	1.35	9.5	1512	151.30	27	1.45	10	1395	139.05	28	1.50	12	1251	123.48	28	1.55					13	1125	110.40	28	1.60	14	1017			99.26	28	1.70	17	891	86.15	28	1.75	17	954	81.76	28	1.65					19	801	77.14	28			1.80																																																											
4.6	1980	202.96	27	1.10	GSA89		5.2	1782	180.00	27	1.20	GSAF89		4.9	1854	288.00	27	1.10	GS89 GSF89 GSA89 GSAF89	4P	121	101	11.53	2.5	1.00			5.4	1674	258.18	27	1.20	6.3	1467	222.40	28	1.40	6.9	1350	202.96	28	1.55	7.8			1206	180.00	28	1.60	9.3			1026	151.30	28	1.75	10			954	139.05	28	1.80	11	855	123.48	28	1.85	13	765	110.40	28	1.95	14	693			99.26	28	2.00	7.4	1197			189.09	10	1.10	GS79 GSF79 GSA79 GSAF79	4P	130	94			10.80			2.5	1.10	8.7	1035	161.60	12	1.15	9.4	954	148.15	13	1.30	11	846	130.00	13			1.35	11	810	123.20	14			1.40	13	716	107.83	14			1.45	14	653	97.14	15	1.50	16	576	85.22	15	1.60	19	585	75.09	13	1.50	20	558			71.33	13	1.55	21	459			66.67	14	1.70	22	495			63.03	13	1.65	25	396	56.92	13	1.80	26	423	53.87	13	1.75	28			392	49.38	12			1.80	32	347			43.33	12	1.90	16	540	85.83	7.5	0.85	GS69 GSF69 GSA69 GSAF69	4P	154			77	9.10	4.6	1.60	18	495	78.00	8.0	0.95	21	486	65.63	8.1	0.95	22	464	62.35	8.3	0.95	26			410	54.70	8.4	1.05	30			351			46.40	8.2	1.25	33	320	41.89	8.0	1.30	38	279	36.85	7.8	1.40	40	266	34.80			7.8	1.40	47			230	29.63	7.5			1.50	52	207	26.93	7.4	1.55	58	198	24.00	6.7	1.60	65			189			21.67			6.6	1.70	73	166	19.06	6.5	1.75	78	158	18.00	6.3	1.80	91	135	15.33	6.1	1.90	101	124	13.93	5.9	1.95	2.2kW							2.2kW							2.1	6672	688	40	1.00	GS109R79 GSF109R79 GSA109R79 GSAF109R79			4P	2.1	6672	688	40			1.00	GS99R59 GSF99R59 GSA99R59 GSAF99R59	4P	2.4	5832	602	40	1.10	3.4	4455	420	18	0.90	3.8	4014			376	27	1.00	4.4	3519	327	32	1.20	5.0			3114	287			33			1.35	5.7	2727	252	33	1.50	3.5	3782	271.63	35			1.50	GS109 GSA109 GSAF109 GSF109	6P							4.1	3228	229.96	33	1.65	4.4	3008	212.81	33	1.70	4.9	2701	190.74	32	1.75	5.3	2498			271.63	31			1.80	GS109 GSF109 GSA109 GSAF109	4P	6.2	2135	229.96	30	1.95	6.7	2117	212.81	29	2.00	7.5	1891	190.74	28	2.10	8.3	1708	172.20	27	2.15	9.1			1558	156.41	26	2.20			3.3			4077			286.40	29	1.00	GS99 GSF99 GSA99 GSAF99	6P	3.6	3762	262.22	31	1.30	4.1	3357	231.67	32	1.35	4.8	2889	196.52	33	1.45			5.0	2817	286.40	33			1.45	GS99 GSF99 GSA99 GSAF99			4P	5.5	2601			262.22	33	1.55	6.2	2313	231.67	34	1.65	7.3	1989	196.52	34	1.75	7.9	1845	180.95	34		1.80	8.8				1656	161.74	34	1.85	9.8			1503	145.60	35	1.95	11	1368	131.85	35	2.05	12	1224	116.92	35			2.10	14			1116	105.71	35			2.20	16	954	89.60			35	2.35	5.5	2457	258.18	25	1.00	GS89 GSF89 GSA89 GSAF89	4P	6.4	2142	222.40	26	1.10	7.0	1971	202.96	27	1.25	7.9	1773	180.00	27	1.35	9.5	1512	151.30	27	1.45	10					1395	139.05	28	1.50	12	1251	123.48			28	1.55	13	1125	110.40	28	1.60	14	1017	99.26	28	1.70	17					891	86.15	28	1.75			17					954	81.76	28			1.65	19	801	77.14	28	1.80																																												
5.2	1782	180.00	27	1.20	GSAF89		4.9	1854	288.00	27	1.10	GS89 GSF89 GSA89 GSAF89	4P	121	101	11.53	2.5	1.00			5.4	1674	258.18	27	1.20			6.3	1467	222.40	28	1.40	6.9	1350	202.96	28	1.55	7.8	1206	180.00	28	1.60	9.3			1026	151.30	28	1.75	10			954	139.05	28	1.80	11			855	123.48	28	1.85	13	765	110.40	28	1.95	14	693	99.26	28	2.00	7.4	1197			189.09	10	1.10	GS79 GSF79 GSA79 GSAF79	4P			130	94	10.80			2.5	1.10	8.7	1035	161.60			12	1.15	9.4	954	148.15	13	1.30	11	846	130.00	13	1.35	11	810	123.20	14			1.40	13	716	107.83	14			1.45	14	653	97.14	15			1.50	16	576	85.22	15	1.60	19	585	75.09	13	1.50	20	558	71.33	13	1.55	21	459			66.67	14	1.70	22	495			63.03	13	1.65	25	396			56.92	13	1.80	26	423	53.87	13	1.75	28	392	49.38	12	1.80	32			347	43.33	12			1.90	16	540	85.83	7.5	0.85	GS69 GSF69 GSA69 GSAF69	4P	154	77	9.10	4.6	1.60			18			495	78.00	8.0	0.95	21	486	65.63	8.1	0.95	22	464	62.35	8.3	0.95	26	410	54.70	8.4	1.05	30			351	46.40	8.2	1.25	33			320			41.89	8.0	1.30	38	279	36.85	7.8	1.40	40	266	34.80	7.8	1.40	47	230	29.63			7.5	1.50	52			207	26.93	7.4			1.55	58	198	24.00	6.7	1.60	65	189	21.67	6.6	1.70	73			166			19.06	6.5	1.75	78	158	18.00	6.3	1.80	91	135	15.33	6.1	1.90	101	124	13.93	5.9	1.95	2.2kW							2.2kW							2.1	6672	688	40	1.00	GS109R79 GSF109R79 GSA109R79 GSAF109R79	4P	2.1	6672	688	40	1.00					GS99R59 GSF99R59 GSA99R59 GSAF99R59	4P	2.4	5832			602			40	1.10	3.4	4455	420	18	0.90	3.8	4014	376	27	1.00	4.4	3519	327	32	1.20	5.0	3114	287	33	1.35	5.7			2727	252			33			1.50	3.5	3782	271.63	35	1.50	GS109 GSA109 GSAF109 GSF109	6P	4.1	3228			229.96					33	1.65			4.4	3008	212.81	33	1.70	4.9	2701	190.74	32	1.75	5.3	2498	271.63	31	1.80	GS109 GSF109 GSA109 GSAF109	4P			6.2	2135	229.96	30	1.95			6.7	2117	212.81	29	2.00	7.5	1891	190.74	28	2.10	8.3	1708	172.20	27	2.15	9.1	1558	156.41	26	2.20	3.3			4077	286.40	29	1.00	GS99 GSF99 GSA99 GSAF99	6P	3.6			3762			262.22	31	1.30			4.1	3357	231.67	32	1.35	4.8	2889	196.52	33	1.45	5.0	2817	286.40	33	1.45			GS99 GSF99 GSA99 GSAF99	4P	5.5	2601			262.22		33	1.55		6.2	2313			231.67	34	1.65	7.3	1989	196.52	34	1.75	7.9	1845	180.95	34	1.80	8.8	1656	161.74	34		1.85	9.8				1503	145.60	35	1.95	11			1368	131.85	35	2.05	12	1224	116.92	35	2.10	14	1116	105.71	35			2.20	16	954	89.60	35	2.35	5.5			2457	258.18	25	1.00			GS89 GSF89 GSA89 GSAF89	4P	6.4	2142	222.40	26	1.10			7.0	1971	202.96	27	1.25	7.9	1773	180.00	27	1.35	9.5	1512	151.30	27	1.45	10	1395	139.05	28	1.50	12					1251	123.48	28	1.55	13	1125	110.40			28	1.60	14	1017	99.26	28	1.70	17	891	86.15	28	1.75	17			954	81.76	28	1.65	19	801			77.14					28	1.80																																																					
4.9	1854	288.00	27	1.10	GS89 GSF89 GSA89 GSAF89	4P	121	101	11.53	2.5	1.00																																																																																																																																																																																																																																																																																																																																																																																																																																																																																																																																																																																																																																																																																					
5.4	1674	258.18	27	1.20			6.3	1467	222.40	28	1.40			6.9	1350	202.96	28	1.55			7.8	1206	180.00	28	1.60			9.3	1026	151.30	28	1.75	10	954	139.05	28	1.80	11	855	123.48	28	1.85	13			765	110.40	28	1.95	14			693	99.26	28	2.00	7.4			1197	189.09	10	1.10	GS79 GSF79 GSA79 GSAF79	4P	130	94	10.80	2.5	1.10	8.7	1035	161.60	12	1.15	9.4	954	148.15	13	1.30			11	846	130.00	13	1.35			11	810	123.20	14	1.40			13	716	107.83	14	1.45	14	653	97.14	15	1.50	16	576	85.22	15	1.60	19			585	75.09	13	1.50	20			558	71.33	13	1.55	21			459	66.67	14	1.70	22	495	63.03	13	1.65	25	396	56.92	13	1.80	26	423	53.87	13			1.75	28	392	49.38	12			1.80	32	347	43.33	12			1.90	16	540	85.83	7.5	0.85	GS69 GSF69 GSA69 GSAF69	4P	154	77	9.10	4.6	1.60	18	495	78.00	8.0	0.95	21	486	65.63	8.1	0.95	22	464	62.35	8.3			0.95	26	410	54.70	8.4			1.05			30	351	46.40	8.2	1.25	33	320	41.89	8.0	1.30	38	279	36.85	7.8	1.40	40	266	34.80	7.8	1.40			47	230	29.63	7.5	1.50			52			207	26.93	7.4	1.55	58	198	24.00	6.7	1.60	65	189	21.67	6.6	1.70	73	166			19.06	6.5	1.75			78	158	18.00			6.3	1.80	91	135	15.33	6.1	1.90	101	124	13.93	5.9	1.95	2.2kW							2.2kW							2.1	6672	688	40	1.00	GS109R79 GSF109R79 GSA109R79 GSAF109R79	4P	2.1	6672	688	40	1.00	GS99R59 GSF99R59 GSA99R59 GSAF99R59	4P	2.4	5832	602	40	1.10	3.4	4455	420	18	0.90	3.8	4014	376	27			1.00	4.4	3519	327	32		1.20	5.0				3114	287			33			1.35	5.7	2727	252	33	1.50	3.5	3782	271.63	35	1.50	GS109 GSA109 GSAF109 GSF109	6P	4.1	3228	229.96	33	1.65	4.4	3008	212.81	33	1.70			4.9	2701			190.74			32	1.75	5.3	2498	271.63	31			1.80	GS109 GSF109 GSA109 GSAF109	4P	6.2	2135			229.96	30	1.95	6.7	2117	212.81	29	2.00	7.5	1891	190.74	28	2.10	8.3	1708	172.20	27	2.15	9.1	1558	156.41					26	2.20	3.3	4077	286.40			29	1.00	GS99 GSF99 GSA99 GSAF99	6P	3.6	3762	262.22	31	1.30	4.1	3357	231.67	32	1.35	4.8	2889	196.52	33	1.45	5.0	2817	286.40	33	1.45	GS99 GSF99 GSA99 GSAF99	4P	5.5			2601	262.22	33	1.55			6.2	2313	231.67			34	1.65	7.3	1989	196.52	34	1.75	7.9	1845	180.95	34	1.80	8.8	1656	161.74					34	1.85	9.8	1503	145.60		35	1.95		11	1368	131.85	35	2.05	12	1224	116.92	35	2.10	14	1116	105.71	35	2.20	16	954	89.60	35	2.35	5.5		2457	258.18				25	1.00	GS89 GSF89 GSA89 GSAF89	4P	6.4			2142	222.40	26	1.10	7.0	1971	202.96	27	1.25	7.9	1773	180.00	27	1.35	9.5	1512	151.30	27	1.45	10	1395	139.05	28	1.50	12	1251	123.48	28					1.55	13	1125	110.40	28			1.60	14	1017	99.26	28	1.70	17	891	86.15	28	1.75	17	954	81.76	28	1.65	19	801	77.14	28	1.80																																																																																																
6.3	1467	222.40	28	1.40			6.9	1350	202.96	28	1.55			7.8	1206	180.00	28	1.60			9.3	1026	151.30	28	1.75			10	954	139.05	28	1.80	11	855	123.48	28	1.85	13	765	110.40	28	1.95	14			693	99.26	28	2.00	7.4			1197	189.09	10	1.10	GS79 GSF79 GSA79 GSAF79			4P	130	94	10.80			2.5	1.10	8.7	1035	161.60	12	1.15	9.4	954	148.15	13	1.30	11	846	130.00			13	1.35	11	810	123.20			14	1.40	13	716	107.83			14	1.45	14	653	97.14	15	1.50	16	576	85.22	15	1.60	19	585	75.09	13			1.50	20	558	71.33	13			1.55	21	459	66.67	14			1.70	22	495	63.03	13	1.65	25	396	56.92	13	1.80	26	423	53.87	13	1.75	28	392			49.38	12	1.80	32	347			43.33	12	1.90	16	540			85.83	7.5	0.85	GS69 GSF69 GSA69 GSAF69	4P	154			77	9.10	4.6	1.60	18	495	78.00	8.0	0.95	21	486	65.63	8.1	0.95	22	464	62.35	8.3	0.95			26	410	54.70	8.4	1.05			30			351	46.40	8.2	1.25	33	320	41.89	8.0	1.30	38	279	36.85	7.8	1.40	40	266	34.80	7.8	1.40	47			230	29.63	7.5	1.50	52			207			26.93	7.4	1.55	58	198	24.00	6.7	1.60	65	189	21.67	6.6	1.70	73	166	19.06			6.5	1.75	78			158	18.00	6.3			1.80	91	135	15.33	6.1	1.90	101	124	13.93	5.9	1.95	2.2kW							2.2kW							2.1	6672	688	40	1.00	GS109R79 GSF109R79 GSA109R79 GSAF109R79			4P	2.1	6672	688	40			1.00	GS99R59 GSF99R59 GSA99R59 GSAF99R59	4P	2.4	5832	602	40	1.10	3.4	4455	420	18	0.90	3.8			4014	376	27	1.00	4.4	3519	327	32	1.20			5.0	3114			287			33	1.35	5.7	2727	252	33	1.50	3.5	3782	271.63	35			1.50	GS109 GSA109 GSAF109 GSF109	6P	4.1	3228	229.96	33	1.65	4.4	3008			212.81	33			1.70			4.9	2701	190.74	32	1.75	5.3			2498			271.63	31	1.80	GS109 GSF109 GSA109 GSAF109	4P	6.2	2135	229.96	30	1.95	6.7	2117	212.81	29	2.00	7.5	1891	190.74	28	2.10	8.3	1708	172.20	27	2.15					9.1	1558	156.41	26	2.20			3.3	4077			286.40	29	1.00	GS99 GSF99 GSA99 GSAF99	6P	3.6	3762	262.22	31	1.30	4.1	3357	231.67	32	1.35	4.8	2889	196.52	33	1.45			5.0			2817	286.40	33	1.45			GS99 GSF99 GSA99 GSAF99	4P	5.5			2601	262.22	33	1.55	6.2	2313	231.67	34	1.65	7.3	1989	196.52	34	1.75	7.9					1845	180.95	34	1.80	8.8		1656	161.74		34	1.85	9.8	1503	145.60	35	1.95	11	1368	131.85	35	2.05	12	1224	116.92	35	2.10	14	1116	105.71	35		2.20	16				954	89.60			35			2.35	5.5	2457	258.18	25	1.00	GS89 GSF89 GSA89 GSAF89	4P	6.4	2142	222.40	26	1.10	7.0	1971	202.96	27	1.25	7.9	1773	180.00	27	1.35	9.5	1512	151.30	27	1.45					10	1395	139.05	28	1.50			12	1251	123.48	28	1.55	13	1125	110.40	28	1.60	14	1017	99.26	28	1.70	17	891	86.15	28	1.75	17					954	81.76	28	1.65	19	801	77.14			28	1.80																																																																																	
6.9	1350	202.96	28	1.55			7.8	1206	180.00	28	1.60			9.3	1026	151.30	28	1.75			10	954	139.05	28	1.80			11	855	123.48	28	1.85	13	765	110.40	28	1.95	14	693	99.26	28	2.00	7.4			1197	189.09	10	1.10	GS79 GSF79 GSA79 GSAF79			4P	130	94	10.80		2.5	1.10		8.7	1035	161.60			12	1.15	9.4	954	148.15	13	1.30	11	846	130.00	13	1.35	11	810	123.20			14	1.40	13	716	107.83			14	1.45	14	653	97.14			15	1.50	16	576	85.22	15	1.60	19	585	75.09	13	1.50	20	558	71.33	13			1.55	21	459	66.67	14			1.70	22	495	63.03	13			1.65	25	396	56.92	13	1.80	26	423	53.87	13	1.75	28	392	49.38	12	1.80	32	347			43.33	12	1.90	16	540			85.83	7.5	0.85	GS69 GSF69 GSA69 GSAF69	4P	154	77	9.10	4.6	1.60			18			495	78.00	8.0	0.95	21	486	65.63	8.1	0.95	22	464	62.35	8.3	0.95	26	410	54.70	8.4	1.05			30	351	46.40	8.2	1.25			33			320	41.89	8.0	1.30	38	279	36.85	7.8	1.40	40	266	34.80	7.8	1.40	47	230	29.63	7.5	1.50	52			207	26.93	7.4	1.55	58			198			24.00	6.7	1.60	65	189	21.67	6.6	1.70	73	166	19.06	6.5	1.75	78	158	18.00			6.3	1.80	91			135	15.33	6.1	1.90	101	124	13.93	5.9	1.95	2.2kW							2.2kW							2.1	6672	688	40	1.00	GS109R79 GSF109R79 GSA109R79 GSAF109R79	4P	2.1	6672	688	40	1.00					GS99R59 GSF99R59 GSA99R59 GSAF99R59	4P	2.4	5832			602			40	1.10	3.4	4455	420	18	0.90	3.8	4014	376	27	1.00	4.4	3519	327	32	1.20	5.0	3114	287	33	1.35			5.7	2727			252			33	1.50	3.5	3782	271.63	35	1.50	GS109 GSA109 GSAF109 GSF109	6P	4.1	3228			229.96			33	1.65	4.4	3008	212.81	33	1.70			4.9	2701	190.74	32	1.75			5.3	2498	271.63	31	1.80	GS109 GSF109 GSA109 GSAF109	4P	6.2	2135			229.96	30	1.95			6.7	2117	212.81	29	2.00	7.5	1891	190.74	28	2.10	8.3	1708	172.20	27	2.15	9.1	1558	156.41	26	2.20			3.3	4077	286.40	29	1.00	GS99 GSF99 GSA99 GSAF99	6P			3.6	3762			262.22	31	1.30			4.1	3357	231.67	32	1.35	4.8	2889	196.52	33	1.45	5.0	2817	286.40	33	1.45			GS99 GSF99 GSA99 GSAF99			4P	5.5	2601	262.22	33	1.55			6.2			2313	231.67	34	1.65	7.3	1989	196.52	34	1.75	7.9	1845	180.95	34	1.80	8.8					1656	161.74	34	1.85	9.8		1503	145.60		35	1.95	11	1368	131.85	35	2.05	12	1224	116.92	35	2.10	14	1116	105.71	35	2.20	16	954	89.60	35		2.35	5.5		2457	258.18	25	1.00			GS89 GSF89 GSA89 GSAF89			4P	6.4	2142	222.40	26	1.10			7.0	1971	202.96	27	1.25	7.9	1773	180.00	27	1.35	9.5	1512	151.30	27	1.45	10	1395	139.05	28	1.50					12	1251	123.48	28	1.55			13	1125	110.40	28	1.60	14	1017	99.26	28	1.70	17	891	86.15	28	1.75	17	954	81.76	28	1.65	19					801	77.14	28	1.80																																																																																								
7.8	1206	180.00	28	1.60			9.3	1026	151.30	28	1.75			10	954	139.05	28	1.80			11	855	123.48	28	1.85			13	765	110.40	28	1.95	14	693	99.26	28	2.00	7.4	1197	189.09	10	1.10	GS79 GSF79 GSA79 GSAF79			4P	130	94	10.80		2.5	1.10		8.7	1035	161.60		12	1.15		9.4	954	148.15			13	1.30	11	846	130.00	13	1.35	11	810	123.20	14	1.40	13	716	107.83			14	1.45	14	653	97.14			15	1.50	16	576	85.22			15	1.60	19	585	75.09	13	1.50	20	558	71.33	13	1.55	21	459	66.67	14			1.70	22	495	63.03	13			1.65	25	396	56.92	13			1.80	26	423	53.87	13	1.75	28	392	49.38	12	1.80	32	347	43.33	12	1.90	16	540			85.83	7.5	0.85	GS69 GSF69 GSA69 GSAF69	4P	154	77	9.10	4.6	1.60			18	495	78.00	8.0	0.95			21			486	65.63	8.1	0.95	22	464	62.35	8.3	0.95	26	410	54.70	8.4	1.05	30	351	46.40	8.2	1.25			33	320	41.89	8.0	1.30			38			279	36.85	7.8	1.40	40	266	34.80	7.8	1.40	47	230	29.63	7.5	1.50	52	207	26.93	7.4	1.55	58			198	24.00	6.7	1.60	65			189			21.67	6.6	1.70	73	166	19.06	6.5	1.75	78	158	18.00	6.3	1.80	91	135	15.33			6.1	1.90	101	124	13.93	5.9	1.95	2.2kW							2.2kW							2.1	6672	688	40	1.00	GS109R79 GSF109R79 GSA109R79 GSAF109R79	4P	2.1	6672	688	40	1.00			GS99R59 GSF99R59 GSA99R59 GSAF99R59	4P	2.4	5832	602							40	1.10			3.4			4455	420	18	0.90	3.8	4014	376	27	1.00	4.4	3519	327	32	1.20	5.0	3114	287	33	1.35	5.7	2727	252			33	1.50			3.5			3782	271.63	35	1.50	GS109 GSA109 GSAF109 GSF109	6P	4.1			3228	229.96			33			1.65	4.4	3008	212.81	33	1.70	4.9			2701	190.74	32	1.75	5.3	2498	271.63	31	1.80	GS109 GSF109 GSA109 GSAF109	4P	6.2			2135	229.96			30	1.95	6.7			2117	212.81	29	2.00	7.5	1891	190.74	28	2.10	8.3	1708	172.20	27	2.15	9.1	1558	156.41	26	2.20	3.3			4077	286.40	29	1.00	GS99 GSF99 GSA99 GSAF99			6P	3.6	3762	262.22			31	1.30	4.1			3357	231.67	32	1.35	4.8	2889	196.52	33	1.45	5.0	2817	286.40	33	1.45	GS99 GSF99 GSA99 GSAF99							4P	5.5	2601	262.22	33			1.55	6.2	2313	231.67	34	1.65	7.3	1989	196.52	34	1.75	7.9	1845	180.95	34	1.80	8.8	1656					161.74	34	1.85	9.8	1503		145.60	35		1.95	11	1368	131.85	35	2.05	12	1224	116.92	35	2.10	14	1116	105.71	35	2.20	16	954	89.60	35	2.35		5.5	2457		258.18	25	1.00	GS89 GSF89 GSA89 GSAF89				4P	6.4		2142	222.40	26	1.10	7.0			1971	202.96	27	1.25	7.9	1773	180.00	27	1.35	9.5	1512	151.30	27	1.45	10	1395	139.05	28	1.50	12					1251	123.48	28	1.55	13			1125	110.40	28	1.60	14	1017	99.26	28	1.70	17	891	86.15	28	1.75	17	954	81.76	28	1.65	19	801					77.14	28	1.80																																																																																									
9.3	1026	151.30	28	1.75			10	954	139.05	28	1.80			11	855	123.48	28	1.85			13	765	110.40	28	1.95			14	693	99.26	28	2.00	7.4	1197	189.09	10	1.10	GS79 GSF79 GSA79 GSAF79	4P	130	94	10.80		2.5	1.10		8.7	1035	161.60		12	1.15		9.4	954	148.15		13	1.30		11	846	130.00			13	1.35	11	810	123.20	14	1.40	13	716	107.83	14	1.45	14	653	97.14			15	1.50	16	576	85.22			15	1.60	19	585	75.09			13	1.50	20	558	71.33	13	1.55	21	459	66.67	14	1.70	22	495	63.03	13			1.65	25	396	56.92	13			1.80	26	423	53.87	13			1.75	28	392	49.38	12	1.80	32	347	43.33	12	1.90	16	540	85.83	7.5	0.85	GS69 GSF69 GSA69 GSAF69	4P	154	77	9.10	4.6	1.60			18	495	78.00	8.0	0.95			21	486	65.63	8.1	0.95			22			464	62.35	8.3	0.95	26	410	54.70	8.4	1.05	30	351	46.40	8.2	1.25	33	320	41.89	8.0	1.30			38	279	36.85	7.8	1.40			40			266	34.80	7.8	1.40	47	230	29.63	7.5	1.50	52	207	26.93	7.4	1.55	58	198	24.00	6.7	1.60	65			189	21.67	6.6	1.70	73			166			19.06	6.5	1.75	78	158	18.00	6.3	1.80	91	135	15.33	6.1	1.90	101	124	13.93	5.9	1.95	2.2kW							2.2kW							2.1	6672	688	40	1.00	GS109R79 GSF109R79 GSA109R79 GSAF109R79	4P	2.1	6672	688	40	1.00			GS99R59 GSF99R59 GSA99R59 GSAF99R59	4P	2.4	5832	602					40	1.10	3.4		4455	420				18	0.90			3.8			4014	376	27	1.00	4.4	3519	327	32	1.20	5.0	3114	287	33	1.35	5.7	2727	252	33	1.50	3.5	3782	271.63			35	1.50			GS109 GSA109 GSAF109 GSF109			6P	4.1	3228	229.96			33			1.65	4.4	3008	212.81	33			1.70	4.9	2701	190.74	32	1.75	5.3	2498	271.63	31	1.80	GS109 GSF109 GSA109 GSAF109	4P	6.2	2135	229.96	30	1.95			6.7			2117	212.81			29	2.00	7.5			1891	190.74	28	2.10	8.3	1708	172.20	27	2.15	9.1	1558	156.41	26	2.20	3.3	4077	286.40	29	1.00	GS99 GSF99 GSA99 GSAF99	6P	3.6	3762	262.22	31	1.30					4.1	3357	231.67			32	1.35	4.8			2889	196.52	33	1.45	5.0	2817	286.40	33	1.45	GS99 GSF99 GSA99 GSAF99	4P	5.5	2601	262.22					33	1.55			6.2	2313	231.67	34			1.65	7.3	1989	196.52	34	1.75	7.9	1845	180.95	34	1.80	8.8	1656	161.74	34	1.85	9.8	1503					145.60	35	1.95	11	1368		131.85	35		2.05	12	1224	116.92	35	2.10	14	1116	105.71	35	2.20	16	954	89.60	35	2.35	5.5	2457	258.18	25	1.00	GS89 GSF89 GSA89 GSAF89	4P	6.4	2142	222.40	26	1.10						7.0		1971	202.96	27	1.25	7.9			1773	180.00	27	1.35	9.5	1512	151.30	27	1.45	10	1395	139.05	28	1.50	12	1251	123.48	28	1.55	13					1125	110.40	28	1.60	14			1017	99.26	28	1.70	17	891	86.15	28	1.75	17	954	81.76	28	1.65	19	801	77.14	28	1.80																																																																																																		
10	954	139.05	28	1.80			11	855	123.48	28	1.85			13	765	110.40	28	1.95			14	693	99.26	28	2.00			7.4	1197	189.09	10	1.10	GS79 GSF79 GSA79 GSAF79	4P	130	94	10.80			2.5	1.10	8.7		1035	161.60		12	1.15	9.4		954	148.15		13	1.30	11		846	130.00		13	1.35	11			810	123.20	14	1.40	13	716	107.83	14	1.45	14	653	97.14	15	1.50	16			576	85.22	15	1.60	19			585	75.09	13	1.50	20			558	71.33	13	1.55	21	459	66.67	14	1.70	22	495	63.03	13	1.65	25	396			56.92	13	1.80	26	423			53.87	13	1.75	28	392			49.38	12	1.80	32	347	43.33	12	1.90	16	540	85.83	7.5	0.85	GS69 GSF69 GSA69 GSAF69	4P	154			77	9.10	4.6	1.60	18			495	78.00	8.0	0.95	21			486	65.63	8.1	0.95	22			464			62.35	8.3	0.95	26	410	54.70	8.4	1.05	30	351	46.40	8.2	1.25	33	320	41.89	8.0	1.30	38			279	36.85	7.8	1.40	40			266			34.80	7.8	1.40	47	230	29.63	7.5	1.50	52	207	26.93	7.4	1.55	58	198	24.00	6.7	1.60	65	189			21.67	6.6	1.70	73	166			19.06			6.5	1.75	78	158	18.00	6.3	1.80	91	135	15.33	6.1	1.90	101	124	13.93	5.9	1.95	2.2kW							2.2kW							2.1	6672	688	40	1.00	GS109R79 GSF109R79 GSA109R79 GSAF109R79			4P	2.1	6672	688	40					1.00	GS99R59 GSF99R59 GSA99R59 GSAF99R59	4P					2.4	5832	602	40	1.10	3.4	4455			420	18			0.90			3.8	4014	376	27	1.00	4.4	3519	327	32	1.20	5.0	3114	287	33	1.35	5.7	2727	252	33	1.50	3.5	3782			271.63	35							1.50	GS109 GSA109 GSAF109 GSF109	6P			4.1			3228	229.96	33	1.65	4.4	3008	212.81	33	1.70	4.9	2701	190.74	32	1.75	5.3	2498	271.63	31			1.80	GS109 GSF109 GSA109 GSAF109	4P	6.2	2135			229.96			30	1.95			6.7	2117	212.81			29	2.00	7.5	1891	190.74	28	2.10	8.3	1708	172.20	27	2.15	9.1	1558	156.41	26	2.20	3.3	4077			286.40	29	1.00	GS99 GSF99 GSA99 GSAF99	6P					3.6	3762	262.22			31	1.30	4.1			3357	231.67	32	1.35	4.8	2889	196.52	33	1.45			5.0	2817	286.40					33	1.45			GS99 GSF99 GSA99 GSAF99	4P	5.5	2601			262.22	33	1.55	6.2	2313	231.67	34	1.65	7.3	1989	196.52	34	1.75	7.9	1845	180.95	34	1.80					8.8	1656	161.74	34	1.85		9.8	1503		145.60	35	1.95	11	1368	131.85	35	2.05	12	1224	116.92	35	2.10	14	1116	105.71	35	2.20	16	954	89.60			35	2.35	5.5	2457	258.18						25		1.00	GS89 GSF89 GSA89 GSAF89	4P	6.4	2142			222.40	26	1.10	7.0	1971	202.96	27	1.25	7.9	1773	180.00	27	1.35	9.5	1512	151.30	27	1.45	10	1395					139.05	28	1.50	12	1251			123.48	28	1.55	13	1125	110.40	28	1.60	14	1017	99.26	28	1.70	17	891	86.15	28	1.75	17	954	81.76					28	1.65	19	801	77.14	28	1.80																																																																																					
11	855	123.48	28	1.85			13	765	110.40	28	1.95			14	693	99.26	28	2.00			7.4	1197	189.09	10	1.10	GS79 GSF79 GSA79 GSAF79	4P	130	94	10.80	2.5	1.10			8.7	1035	161.60			12	1.15	9.4		954	148.15		13	1.30	11		846	130.00		13	1.35	11		810	123.20		14	1.40	13			716	107.83	14	1.45	14	653	97.14	15	1.50	16	576	85.22	15	1.60	19			585	75.09	13	1.50	20			558	71.33	13	1.55	21			459	66.67	14	1.70	22	495	63.03	13	1.65	25	396	56.92	13	1.80	26	423			53.87	13	1.75	28	392			49.38	12	1.80	32	347	43.33	12	1.90	16	540	85.83	7.5	0.85	GS69 GSF69 GSA69 GSAF69	4P	154	77	9.10	4.6	1.60			18			495	78.00	8.0	0.95	21			486	65.63	8.1	0.95	22			464	62.35	8.3	0.95	26			410			54.70	8.4	1.05	30	351	46.40	8.2	1.25	33	320	41.89	8.0	1.30	38	279	36.85	7.8	1.40	40			266	34.80	7.8	1.40	47			230			29.63	7.5	1.50	52	207	26.93	7.4	1.55	58	198	24.00	6.7	1.60	65	189	21.67	6.6	1.70	73	166			19.06	6.5	1.75	78	158			18.00	6.3	1.80	91	135	15.33	6.1	1.90	101	124	13.93	5.9	1.95	2.2kW							2.2kW							2.1	6672	688	40	1.00	GS109R79 GSF109R79 GSA109R79 GSAF109R79	4P	2.1	6672	688	40	1.00					GS99R59 GSF99R59 GSA99R59 GSAF99R59	4P	2.4	5832					602			40	1.10			3.4	4455	420	18	0.90	3.8	4014			376	27			1.00			4.4	3519	327	32	1.20	5.0	3114	287	33	1.35	5.7	2727	252	33	1.50	3.5	3782	271.63	35	1.50	GS109 GSA109 GSAF109 GSF109	6P			4.1	3228	229.96	33					1.65					4.4	3008	212.81	33	1.70	4.9	2701	190.74	32	1.75	5.3	2498	271.63	31	1.80	GS109 GSF109 GSA109 GSAF109	4P	6.2	2135	229.96	30			1.95			6.7	2117			212.81			29	2.00	7.5	1891	190.74	28	2.10			8.3	1708	172.20	27	2.15	9.1	1558	156.41	26	2.20	3.3	4077	286.40	29	1.00	GS99 GSF99 GSA99 GSAF99	6P	3.6	3762			262.22	31	1.30							4.1	3357	231.67	32	1.35	4.8	2889	196.52			33	1.45	5.0	2817	286.40	33	1.45	GS99 GSF99 GSA99 GSAF99	4P			5.5	2601	262.22					33	1.55					6.2	2313			231.67	34	1.65	7.3	1989	196.52	34	1.75	7.9	1845	180.95	34	1.80	8.8	1656	161.74	34	1.85	9.8	1503			145.60	35	1.95	11	1368		131.85	35		2.05	12	1224	116.92	35	2.10	14	1116	105.71	35	2.20	16	954	89.60	35	2.35	5.5	2457	258.18	25	1.00			GS89 GSF89 GSA89 GSAF89	4P	6.4	2142	222.40						26		1.10			7.0	1971			202.96	27	1.25	7.9	1773	180.00	27	1.35	9.5	1512	151.30	27	1.45	10	1395	139.05	28	1.50	12	1251					123.48	28	1.55	13	1125			110.40	28	1.60	14	1017	99.26	28	1.70	17	891	86.15	28	1.75	17	954	81.76	28	1.65	19	801	77.14			28	1.80																																																																																												
13	765	110.40	28	1.95			14	693	99.26	28	2.00			7.4	1197	189.09	10	1.10	GS79 GSF79 GSA79 GSAF79	4P	130	94	10.80	2.5	1.10			8.7	1035	161.60	12	1.15			9.4	954	148.15			13	1.30	11		846	130.00		13	1.35	11		810	123.20		14	1.40	13		716	107.83		14	1.45	14			653	97.14	15	1.50	16	576	85.22	15	1.60	19	585	75.09	13	1.50	20			558	71.33	13	1.55	21			459	66.67	14	1.70	22			495	63.03	13	1.65	25	396	56.92	13	1.80	26	423	53.87	13	1.75	28	392			49.38	12	1.80	32	347	43.33	12	1.90	16	540	85.83	7.5	0.85	GS69 GSF69 GSA69 GSAF69	4P	154	77	9.10	4.6	1.60			18	495	78.00	8.0	0.95			21			486	65.63	8.1	0.95	22			464	62.35	8.3	0.95	26			410	54.70	8.4	1.05	30			351			46.40	8.2	1.25	33	320	41.89	8.0	1.30	38	279	36.85	7.8	1.40	40	266	34.80	7.8	1.40	47			230	29.63	7.5	1.50	52			207			26.93	7.4	1.55	58	198	24.00	6.7	1.60	65	189	21.67	6.6	1.70	73	166	19.06	6.5	1.75	78	158			18.00	6.3	1.80	91	135	15.33	6.1	1.90	101	124	13.93	5.9	1.95	2.2kW							2.2kW							2.1	6672	688	40	1.00	GS109R79 GSF109R79 GSA109R79 GSAF109R79	4P	2.1	6672	688	40	1.00			GS99R59 GSF99R59 GSA99R59 GSAF99R59	4P	2.4	5832	602							40	1.10	3.4	4455			420			18	0.90			3.8	4014	376	27	1.00	4.4	3519			327	32			1.20			5.0	3114	287	33	1.35	5.7	2727	252	33	1.50	3.5	3782	271.63	35	1.50	GS109 GSA109 GSAF109 GSF109	6P	4.1	3228	229.96					33	1.65	4.4	3008		212.81	33		1.70			4.9	2701	190.74	32	1.75	5.3	2498	271.63	31	1.80	GS109 GSF109 GSA109 GSAF109	4P	6.2	2135	229.96	30	1.95			6.7	2117	212.81	29			2.00			7.5	1891			190.74			28	2.10	8.3	1708	172.20	27	2.15	9.1	1558	156.41	26	2.20	3.3	4077	286.40	29	1.00	GS99 GSF99 GSA99 GSAF99	6P	3.6	3762	262.22	31	1.30			4.1	3357			231.67	32	1.35							4.8	2889	196.52	33	1.45	5.0	2817	286.40	33	1.45	GS99 GSF99 GSA99 GSAF99	4P	5.5	2601	262.22	33	1.55					6.2	2313	231.67					34	1.65					7.3	1989			196.52	34	1.75	7.9	1845	180.95	34	1.80	8.8	1656	161.74	34	1.85	9.8	1503	145.60	35	1.95	11	1368			131.85	35	2.05	12	1224	116.92	35	2.10	14	1116	105.71	35	2.20	16	954	89.60	35	2.35	5.5	2457	258.18	25	1.00	GS89 GSF89 GSA89 GSAF89	4P	6.4	2142	222.40	26	1.10					7.0	1971	202.96						27		1.25			7.9	1773			180.00	27	1.35	9.5	1512	151.30	27	1.45	10	1395	139.05	28	1.50	12	1251	123.48	28	1.55	13	1125					110.40	28	1.60	14	1017			99.26	28	1.70	17	891	86.15	28	1.75	17	954	81.76	28	1.65	19	801	77.14	28	1.80																																																																																																			
14	693	99.26	28	2.00			7.4	1197	189.09	10	1.10	GS79 GSF79 GSA79 GSAF79	4P	130	94	10.80	2.5	1.10			8.7	1035	161.60	12	1.15			9.4	954	148.15	13	1.30			11	846	130.00			13	1.35	11		810	123.20		14	1.40	13		716	107.83		14	1.45	14		653	97.14		15	1.50	16			576	85.22	15	1.60	19	585	75.09	13	1.50	20	558	71.33	13	1.55	21			459	66.67	14	1.70	22			495	63.03	13	1.65	25			396	56.92	13	1.80	26	423	53.87	13	1.75	28	392	49.38	12	1.80	32	347	43.33	12	1.90	16	540	85.83	7.5	0.85	GS69 GSF69 GSA69 GSAF69	4P	154	77	9.10	4.6	1.60			18	495	78.00	8.0	0.95			21	486	65.63	8.1	0.95			22			464	62.35	8.3	0.95	26			410	54.70	8.4	1.05	30			351	46.40	8.2	1.25	33			320			41.89	8.0	1.30	38	279	36.85	7.8	1.40	40	266	34.80	7.8	1.40	47	230	29.63	7.5	1.50	52			207	26.93	7.4	1.55	58			198			24.00	6.7	1.60	65	189	21.67	6.6	1.70	73	166	19.06	6.5	1.75	78	158	18.00	6.3	1.80	91	135	15.33	6.1	1.90	101	124	13.93	5.9	1.95	2.2kW							2.2kW							2.1	6672	688	40	1.00	GS109R79 GSF109R79 GSA109R79 GSAF109R79	4P	2.1	6672	688	40	1.00			GS99R59 GSF99R59 GSA99R59 GSAF99R59	4P	2.4	5832	602					40	1.10	3.4		4455	420				18	0.90	3.8	4014			376			27	1.00			4.4	3519	327	32	1.20	5.0	3114			287	33			1.35			5.7	2727	252	33	1.50	3.5	3782	271.63	35	1.50	GS109 GSA109 GSAF109 GSF109	6P	4.1	3228	229.96			33	1.65	4.4			3008	212.81	33	1.70	4.9	2701	190.74	32	1.75	5.3	2498			271.63	31	1.80	GS109 GSF109 GSA109 GSAF109	4P	6.2	2135	229.96	30	1.95			6.7	2117	212.81	29	2.00			7.5	1891	190.74	28			2.10			8.3	1708			172.20	27	2.15	9.1	1558	156.41	26	2.20	3.3	4077	286.40	29	1.00	GS99 GSF99 GSA99 GSAF99	6P	3.6	3762	262.22	31	1.30			4.1	3357	231.67	32	1.35			4.8	2889			196.52	33	1.45				5.0	2817		286.40	33	1.45	GS99 GSF99 GSA99 GSAF99	4P	5.5	2601	262.22	33	1.55			6.2	2313	231.67	34	1.65					7.3	1989	196.52					34	1.75					7.9	1845			180.95	34	1.80	8.8	1656	161.74	34	1.85	9.8	1503	145.60	35	1.95	11	1368	131.85	35	2.05	12	1224	116.92	35	2.10	14	1116	105.71	35	2.20	16	954	89.60	35	2.35	5.5	2457	258.18	25	1.00	GS89 GSF89 GSA89 GSAF89	4P	6.4	2142	222.40	26	1.10			7.0	1971	202.96	27	1.25					7.9	1773	180.00						27		1.35			9.5	1512			151.30	27	1.45	10	1395	139.05	28	1.50	12	1251	123.48	28	1.55	13	1125	110.40	28	1.60	14	1017					99.26	28	1.70	17	891			86.15	28	1.75	17	954	81.76	28	1.65	19	801	77.14	28	1.80																																																																																																								
7.4	1197	189.09	10	1.10	GS79 GSF79 GSA79 GSAF79	4P	130	94	10.80	2.5	1.10																																																																																																																																																																																																																																																																																																																																																																																																																																																																																																																																																																																																																																																																																					
8.7	1035	161.60	12	1.15			9.4	954	148.15	13	1.30			11	846	130.00	13	1.35			11	810	123.20	14	1.40			13	716	107.83	14	1.45			14	653	97.14			15	1.50	16		576	85.22		15	1.60	19		585	75.09		13	1.50	20		558	71.33		13	1.55	21			459	66.67	14	1.70	22	495	63.03	13	1.65	25	396	56.92	13	1.80	26			423	53.87	13	1.75	28			392	49.38	12	1.80	32	347	43.33	12	1.90	16	540	85.83	7.5	0.85	GS69 GSF69 GSA69 GSAF69	4P	154	77	9.10	4.6	1.60	18	495	78.00	8.0	0.95	21	486	65.63	8.1	0.95			22	464	62.35	8.3	0.95			26	410	54.70	8.4	1.05			30	351	46.40	8.2	1.25			33			320	41.89	8.0	1.30	38			279	36.85	7.8	1.40	40			266	34.80	7.8	1.40	47			230			29.63	7.5	1.50	52	207	26.93	7.4	1.55	58	198	24.00	6.7	1.60	65	189	21.67	6.6	1.70	73			166	19.06	6.5	1.75	78			158	18.00	6.3	1.80	91	135	15.33	6.1	1.90	101	124	13.93	5.9	1.95	2.2kW							2.2kW							2.1	6672	688	40	1.00	GS109R79 GSF109R79 GSA109R79 GSAF109R79	4P	2.1	6672	688	40	1.00	GS99R59 GSF99R59 GSA99R59 GSAF99R59	4P	2.4	5832	602	40	1.10	3.4	4455	420			18	0.90	3.8	4014	376					27	1.00	4.4	3519	327			32	1.20	5.0	3114	287	33	1.35			5.7	2727	252	33			1.50			3.5	3782			271.63	35	1.50	GS109 GSA109 GSAF109 GSF109	6P	4.1	3228			229.96	33	1.65	4.4	3008			212.81	33	1.70	4.9	2701	190.74	32	1.75	5.3	2498			271.63	31	1.80			GS109 GSF109 GSA109 GSAF109	4P	6.2	2135	229.96	30	1.95	6.7	2117	212.81	29	2.00	7.5	1891	190.74	28	2.10	8.3	1708	172.20	27			2.15	9.1	1558	156.41	26			2.20	3.3	4077	286.40	29			1.00	GS99 GSF99 GSA99 GSAF99	6P	3.6	3762	262.22	31			1.30	4.1	3357	231.67	32	1.35	4.8	2889	196.52	33	1.45	5.0	2817	286.40	33	1.45	GS99 GSF99 GSA99 GSAF99			4P	5.5	2601	262.22	33			1.55	6.2	2313	231.67	34			1.65	7.3	1989	196.52	34	1.75	7.9			1845	180.95	34	1.80	8.8	1656	161.74			34	1.85	9.8	1503	145.60			35	1.95	11	1368	131.85					35	2.05	12		1224	116.92		35	2.10					14	1116			105.71	35	2.20	16	954	89.60	35	2.35	5.5	2457	258.18	25	1.00	GS89 GSF89 GSA89 GSAF89	4P	6.4	2142	222.40	26	1.10	7.0	1971	202.96	27	1.25	7.9	1773	180.00	27	1.35	9.5	1512	151.30	27	1.45	10	1395	139.05			28	1.50	12	1251	123.48			28	1.55	13	1125	110.40					28	1.60	14						1017		99.26			28	1.70			17	891	86.15	28	1.75	17	954	81.76	28	1.65	19	801	77.14	28	1.80																																																																																																																																					
9.4	954	148.15	13	1.30			11	846	130.00	13	1.35			11	810	123.20	14	1.40			13	716	107.83	14	1.45			14	653	97.14	15	1.50			16	576	85.22			15	1.60	19		585	75.09		13	1.50	20		558	71.33		13	1.55	21		459	66.67		14	1.70	22			495	63.03	13	1.65	25	396	56.92	13	1.80	26	423	53.87	13	1.75	28			392	49.38	12	1.80	32	347	43.33	12	1.90	16	540	85.83	7.5	0.85	GS69 GSF69 GSA69 GSAF69	4P	154	77	9.10	4.6	1.60			18	495	78.00	8.0	0.95	21	486	65.63	8.1	0.95	22	464	62.35	8.3	0.95			26	410	54.70	8.4	1.05			30	351	46.40	8.2	1.25			33	320	41.89	8.0	1.30			38			279	36.85	7.8	1.40	40			266	34.80	7.8	1.40	47			230	29.63	7.5	1.50	52			207			26.93	7.4	1.55	58	198	24.00	6.7	1.60	65	189	21.67	6.6	1.70	73	166	19.06	6.5	1.75	78			158	18.00	6.3	1.80	91	135	15.33	6.1	1.90	101	124	13.93	5.9	1.95	2.2kW							2.2kW							2.1	6672	688	40	1.00	GS109R79 GSF109R79 GSA109R79 GSAF109R79	4P	2.1	6672	688	40	1.00			GS99R59 GSF99R59 GSA99R59 GSAF99R59	4P	2.4	5832	602			40	1.10	3.4	4455	420	18	0.90	3.8			4014	376	27	1.00	4.4	3519	327			32	1.20	5.0	3114	287			33	1.35	5.7	2727	252	33	1.50			3.5	3782	271.63	35			1.50			GS109 GSA109 GSAF109 GSF109	6P			4.1	3228	229.96			33	1.65			4.4	3008	212.81	33	1.70	4.9	2701	190.74	32	1.75	5.3	2498	271.63	31	1.80	GS109 GSF109 GSA109 GSAF109	4P			6.2	2135	229.96	30	1.95			6.7	2117	212.81	29	2.00	7.5	1891	190.74	28	2.10	8.3	1708	172.20	27	2.15	9.1	1558	156.41	26			2.20	3.3	4077	286.40	29			1.00	GS99 GSF99 GSA99 GSAF99	6P	3.6	3762			262.22			31	1.30	4.1	3357	231.67	32	1.35	4.8	2889	196.52	33	1.45	5.0	2817	286.40	33	1.45	GS99 GSF99 GSA99 GSAF99	4P	5.5	2601	262.22					33	1.55	6.2	2313			231.67	34	1.65	7.3	1989			196.52	34	1.75	7.9	1845	180.95	34	1.80	8.8	1656	161.74	34	1.85	9.8	1503	145.60			35	1.95	11	1368	131.85			35	2.05	12	1224	116.92					35	2.10	14		1116	105.71		35	2.20					16	954	89.60	35	2.35	5.5	2457	258.18	25	1.00	GS89 GSF89 GSA89 GSAF89	4P	6.4	2142	222.40	26	1.10			7.0	1971	202.96	27	1.25	7.9	1773	180.00	27	1.35	9.5	1512	151.30	27	1.45	10	1395	139.05	28	1.50	12	1251	123.48			28	1.55	13	1125	110.40			28	1.60	14	1017	99.26					28	1.70	17						891		86.15			28	1.75			17	954	81.76	28	1.65	19	801	77.14	28	1.80																																																																																																																																										
11	846	130.00	13	1.35			11	810	123.20	14	1.40			13	716	107.83	14	1.45			14	653	97.14	15	1.50			16	576	85.22	15	1.60			19	585	75.09			13	1.50	20		558	71.33		13	1.55	21		459	66.67		14	1.70	22		495	63.03		13	1.65	25			396	56.92	13	1.80	26	423	53.87	13	1.75	28	392	49.38	12	1.80	32	347	43.33	12	1.90	16	540	85.83	7.5	0.85	GS69 GSF69 GSA69 GSAF69	4P	154	77	9.10	4.6	1.60			18	495	78.00	8.0	0.95			21	486	65.63	8.1	0.95	22	464	62.35	8.3	0.95	26	410	54.70	8.4	1.05			30	351	46.40	8.2	1.25			33	320	41.89	8.0	1.30			38	279	36.85	7.8	1.40			40			266	34.80	7.8	1.40	47			230	29.63	7.5	1.50	52			207	26.93	7.4	1.55	58			198			24.00	6.7	1.60	65	189	21.67	6.6	1.70	73	166	19.06	6.5	1.75	78	158	18.00	6.3	1.80	91	135	15.33	6.1	1.90	101	124	13.93	5.9	1.95	2.2kW							2.2kW							2.1	6672	688	40	1.00	GS109R79 GSF109R79 GSA109R79 GSAF109R79	4P	2.1	6672	688	40	1.00			GS99R59 GSF99R59 GSA99R59 GSAF99R59	4P	2.4	5832	602					40	1.10	3.4			4455	420	18	0.90	3.8	4014	376	27	1.00	4.4	3519	327	32	1.20	5.0	3114	287			33	1.35	5.7	2727	252			33	1.50	3.5	3782	271.63	35	1.50			GS109 GSA109 GSAF109 GSF109	6P	4.1	3228			229.96							33	1.65	4.4			3008	212.81	33	1.70	4.9	2701	190.74	32	1.75	5.3	2498	271.63	31	1.80	GS109 GSF109 GSA109 GSAF109	4P	6.2	2135	229.96			30	1.95	6.7	2117	212.81	29	2.00			7.5	1891	190.74	28	2.10	8.3	1708	172.20	27	2.15	9.1	1558	156.41	26	2.20	3.3	4077	286.40	29			1.00	GS99 GSF99 GSA99 GSAF99	6P	3.6	3762			262.22			31	1.30	4.1	3357	231.67			32	1.35	4.8	2889	196.52	33	1.45	5.0	2817	286.40	33	1.45	GS99 GSF99 GSA99 GSAF99	4P	5.5	2601	262.22			33	1.55	6.2					2313	231.67	34	1.65			7.3	1989	196.52	34	1.75	7.9	1845	180.95	34	1.80	8.8	1656	161.74	34	1.85	9.8	1503	145.60	35	1.95	11	1368	131.85			35	2.05	12	1224	116.92			35	2.10	14	1116	105.71					35	2.20	16		954	89.60	35	2.35	5.5	2457				258.18	25	1.00	GS89 GSF89 GSA89 GSAF89	4P	6.4	2142	222.40	26	1.10			7.0	1971	202.96	27	1.25			7.9	1773	180.00	27	1.35	9.5	1512	151.30	27	1.45	10	1395	139.05	28	1.50	12	1251	123.48	28	1.55	13	1125	110.40			28	1.60	14	1017	99.26			28	1.70	17	891	86.15					28	1.75	17						954		81.76			28	1.65			19	801	77.14	28	1.80																																																																																																																																															
11	810	123.20	14	1.40			13	716	107.83	14	1.45			14	653	97.14	15	1.50			16	576	85.22	15	1.60			19	585	75.09	13	1.50			20	558	71.33			13	1.55	21		459	66.67		14	1.70	22		495	63.03		13	1.65	25		396	56.92		13	1.80	26			423	53.87	13	1.75	28	392	49.38	12	1.80	32	347	43.33	12	1.90	16	540	85.83	7.5	0.85	GS69 GSF69 GSA69 GSAF69	4P	154	77	9.10			4.6	1.60	18	495	78.00			8.0	0.95	21	486	65.63			8.1	0.95	22	464	62.35	8.3	0.95	26	410	54.70	8.4	1.05	30	351	46.40			8.2	1.25	33	320	41.89			8.0	1.30	38	279	36.85			7.8	1.40	40	266	34.80			7.8			1.40	47	230	29.63	7.5			1.50	52	207	26.93	7.4			1.55	58	198	24.00	6.7			1.60			65	189	21.67	6.6	1.70	73	166	19.06	6.5	1.75	78	158	18.00	6.3	1.80	91	135	15.33	6.1	1.90	101	124	13.93	5.9	1.95	2.2kW							2.2kW							2.1	6672	688	40	1.00	GS109R79 GSF109R79 GSA109R79 GSAF109R79	4P	2.1			6672	688	40	1.00	GS99R59 GSF99R59 GSA99R59 GSAF99R59					4P	2.4	5832					602	40	1.10			3.4	4455	420	18	0.90	3.8	4014	376	27	1.00	4.4	3519	327	32	1.20	5.0	3114			287	33	1.35	5.7	2727			252	33	1.50	3.5	3782	271.63	35					1.50	GS109 GSA109 GSAF109 GSF109			6P					4.1	3228	229.96	33	1.65			4.4	3008	212.81	33	1.70	4.9	2701	190.74	32	1.75	5.3	2498	271.63	31			1.80	GS109 GSF109 GSA109 GSAF109	4P			6.2	2135	229.96	30	1.95	6.7	2117			212.81	29	2.00	7.5	1891	190.74	28	2.10	8.3	1708	172.20	27	2.15	9.1	1558	156.41	26	2.20	3.3			4077			286.40	29	1.00	GS99 GSF99 GSA99 GSAF99	6P			3.6	3762	262.22	31	1.30			4.1	3357	231.67	32	1.35	4.8	2889	196.52	33	1.45	5.0	2817			286.40	33	1.45			GS99 GSF99 GSA99 GSAF99	4P	5.5					2601	262.22	33	1.55	6.2	2313	231.67	34	1.65	7.3	1989	196.52	34	1.75	7.9	1845	180.95	34	1.80	8.8	1656	161.74	34	1.85	9.8	1503	145.60	35	1.95			11	1368	131.85	35	2.05			12	1224	116.92	35	2.10					14	1116	105.71	35	2.20	16	954	89.60	35	2.35	5.5			2457	258.18	25			1.00	GS89 GSF89 GSA89 GSAF89	4P	6.4	2142			222.40	26	1.10	7.0	1971			202.96	27	1.25	7.9	1773	180.00	27	1.35	9.5	1512	151.30	27	1.45	10	1395	139.05	28	1.50	12	1251	123.48	28	1.55			13	1125	110.40	28	1.60			14	1017	99.26	28	1.70					17	891	86.15						28		1.75			17	954			81.76	28	1.65	19	801	77.14	28	1.80																																																																																																																																												
13	716	107.83	14	1.45			14	653	97.14	15	1.50			16	576	85.22	15	1.60			19	585	75.09	13	1.50			20	558	71.33	13	1.55			21	459	66.67			14	1.70	22		495	63.03		13	1.65	25		396	56.92		13	1.80	26		423	53.87		13	1.75	28	392	49.38	12	1.80	32	347	43.33	12	1.90	16	540	85.83	7.5	0.85	GS69 GSF69 GSA69 GSAF69	4P	154	77	9.10	4.6	1.60			18	495	78.00			8.0	0.95	21	486	65.63			8.1	0.95	22	464	62.35			8.3	0.95	26	410	54.70	8.4	1.05	30	351	46.40	8.2	1.25	33	320	41.89			8.0	1.30	38	279	36.85			7.8	1.40	40	266	34.80			7.8	1.40	47	230	29.63			7.5			1.50	52	207	26.93	7.4			1.55	58	198	24.00	6.7			1.60	65	189	21.67	6.6			1.70	73	166	19.06	6.5	1.75	78	158	18.00	6.3	1.80	91	135	15.33	6.1	1.90	101	124	13.93	5.9	1.95	2.2kW							2.2kW							2.1	6672	688	40	1.00	GS109R79 GSF109R79 GSA109R79 GSAF109R79	4P	2.1	6672	688	40	1.00			GS99R59 GSF99R59 GSA99R59 GSAF99R59			4P	2.4	5832	602							40	1.10	3.4	4455			420	18	0.90			3.8	4014	376	27	1.00	4.4	3519	327	32	1.20	5.0	3114	287	33	1.35	5.7	2727			252	33	1.50	3.5	3782			271.63	35	1.50	GS109 GSA109 GSAF109 GSF109	6P	4.1	3228					229.96		33	1.65						4.4	3008	212.81	33	1.70	4.9	2701	190.74	32	1.75	5.3	2498	271.63	31	1.80	GS109 GSF109 GSA109 GSAF109	4P	6.2	2135	229.96	30			1.95					6.7	2117	212.81	29	2.00	7.5	1891			190.74	28	2.10	8.3	1708	172.20	27	2.15	9.1	1558	156.41	26	2.20	3.3	4077	286.40	29	1.00	GS99 GSF99 GSA99 GSAF99	6P	3.6	3762			262.22	31	1.30					4.1	3357	231.67	32	1.35			4.8	2889	196.52	33	1.45	5.0	2817	286.40	33	1.45	GS99 GSF99 GSA99 GSAF99	4P			5.5	2601	262.22					33		1.55	6.2		2313	231.67	34	1.65	7.3	1989	196.52	34	1.75	7.9	1845	180.95	34	1.80	8.8	1656	161.74	34	1.85	9.8	1503	145.60	35	1.95	11	1368	131.85	35	2.05			12	1224	116.92	35	2.10			14	1116	105.71	35	2.20			16	954	89.60	35	2.35	5.5	2457	258.18	25	1.00	GS89 GSF89 GSA89 GSAF89	4P	6.4			2142	222.40	26			1.10			7.0	1971			202.96	27	1.25	7.9	1773			180.00	27	1.35	9.5	1512	151.30	27	1.45	10	1395	139.05	28	1.50	12	1251	123.48	28	1.55	13	1125	110.40	28	1.60			14	1017	99.26	28	1.70			17	891	86.15	28	1.75					17	954	81.76		28	1.65			19		801			77.14	28			1.80																																																																																																																																																			
14	653	97.14	15	1.50			16	576	85.22	15	1.60			19	585	75.09	13	1.50			20	558	71.33	13	1.55			21	459	66.67	14	1.70			22	495	63.03			13	1.65	25		396	56.92		13	1.80	26		423	53.87		13	1.75	28	392	49.38	12	1.80	32	347	43.33	12	1.90	16	540	85.83	7.5	0.85	GS69 GSF69 GSA69 GSAF69	4P	154	77	9.10	4.6	1.60			18	495	78.00	8.0	0.95			21	486	65.63			8.1	0.95	22	464	62.35			8.3	0.95	26	410	54.70			8.4	1.05	30	351	46.40	8.2	1.25	33	320	41.89	8.0	1.30	38	279	36.85			7.8	1.40	40	266	34.80			7.8	1.40	47	230	29.63			7.5	1.50	52	207	26.93			7.4			1.55	58	198	24.00	6.7			1.60	65	189	21.67	6.6			1.70	73	166	19.06	6.5	1.75	78	158	18.00	6.3	1.80	91	135	15.33	6.1	1.90	101	124	13.93	5.9	1.95	2.2kW							2.2kW							2.1	6672	688	40	1.00	GS109R79 GSF109R79 GSA109R79 GSAF109R79	4P	2.1	6672	688	40	1.00			GS99R59 GSF99R59 GSA99R59 GSAF99R59	4P	2.4	5832	602							40	1.10	3.4		4455	420				18	0.90	3.8	4014			376	27	1.00			4.4	3519	327	32	1.20	5.0	3114	287	33	1.35	5.7	2727	252	33	1.50	3.5	3782			271.63	35	1.50	GS109 GSA109 GSAF109 GSF109	6P			4.1	3228	229.96			33	1.65					4.4		3008	212.81		33	1.70	4.9	2701	190.74	32	1.75	5.3	2498	271.63	31	1.80	GS109 GSF109 GSA109 GSAF109	4P	6.2	2135	229.96	30	1.95			6.7	2117	212.81	29			2.00					7.5	1891	190.74	28	2.10	8.3	1708			172.20	27	2.15	9.1	1558	156.41	26	2.20	3.3	4077	286.40	29	1.00	GS99 GSF99 GSA99 GSAF99	6P	3.6	3762	262.22			31	1.30			4.1	3357	231.67					32	1.35	4.8	2889	196.52			33	1.45	5.0	2817	286.40	33	1.45	GS99 GSF99 GSA99 GSAF99	4P	5.5					2601	262.22	33					1.55		6.2	2313		231.67	34	1.65	7.3	1989	196.52	34	1.75	7.9	1845	180.95	34	1.80	8.8	1656	161.74	34	1.85	9.8	1503	145.60	35	1.95	11	1368	131.85	35	2.05	12			1224	116.92	35	2.10	14			1116	105.71	35	2.20	16			954	89.60	35	2.35	5.5	2457	258.18	25	1.00	GS89 GSF89 GSA89 GSAF89			4P	6.4	2142	222.40	26	1.10			7.0			1971	202.96			27	1.25	7.9	1773	180.00			27	1.35	9.5	1512	151.30	27	1.45	10	1395	139.05	28	1.50	12	1251	123.48	28	1.55	13	1125	110.40	28	1.60	14			1017	99.26	28	1.70	17			891	86.15	28	1.75	17					954	81.76	28		1.65	19			801		77.14			28	1.80																																																																																																																																																						
16	576	85.22	15	1.60			19	585	75.09	13	1.50			20	558	71.33	13	1.55			21	459	66.67	14	1.70			22	495	63.03	13	1.65			25	396	56.92			13	1.80	26		423	53.87		13	1.75	28	392	49.38	12	1.80	32	347	43.33	12	1.90	16	540	85.83	7.5	0.85	GS69 GSF69 GSA69 GSAF69	4P	154	77	9.10	4.6	1.60			18	495	78.00	8.0	0.95			21	486	65.63	8.1	0.95			22	464	62.35			8.3	0.95	26	410	54.70			8.4	1.05	30	351	46.40			8.2	1.25	33	320	41.89	8.0	1.30	38	279	36.85	7.8	1.40	40	266	34.80			7.8	1.40	47	230	29.63			7.5	1.50	52	207	26.93			7.4	1.55	58	198	24.00			6.7			1.60	65	189	21.67	6.6			1.70	73	166	19.06	6.5	1.75	78	158	18.00	6.3	1.80	91	135	15.33	6.1	1.90	101	124	13.93	5.9	1.95	2.2kW							2.2kW							2.1	6672	688	40	1.00	GS109R79 GSF109R79 GSA109R79 GSAF109R79	4P	2.1	6672	688	40	1.00			GS99R59 GSF99R59 GSA99R59 GSAF99R59	4P	2.4	5832	602					40	1.10	3.4				4455	420		18	0.90	3.8		4014	376				27	1.00	4.4	3519			327	32	1.20			5.0	3114	287	33	1.35	5.7	2727	252	33	1.50	3.5	3782	271.63	35	1.50	GS109 GSA109 GSAF109 GSF109	6P			4.1	3228	229.96					33	1.65	4.4			3008	212.81	33	1.70	4.9	2701	190.74		32	1.75		5.3	2498	271.63	31	1.80	GS109 GSF109 GSA109 GSAF109	4P	6.2	2135	229.96	30	1.95			6.7	2117	212.81	29	2.00			7.5	1891	190.74	28			2.10					8.3	1708	172.20	27	2.15	9.1	1558	156.41	26	2.20	3.3	4077	286.40	29	1.00	GS99 GSF99 GSA99 GSAF99	6P	3.6	3762	262.22	31	1.30			4.1	3357	231.67			32	1.35			4.8	2889	196.52					33	1.45	5.0	2817	286.40	33	1.45	GS99 GSF99 GSA99 GSAF99	4P	5.5	2601	262.22	33	1.55			6.2					2313	231.67	34					1.65		7.3	1989		196.52	34	1.75	7.9	1845	180.95	34	1.80	8.8	1656	161.74	34	1.85	9.8	1503	145.60	35	1.95	11	1368	131.85	35	2.05	12	1224	116.92	35	2.10	14			1116	105.71	35	2.20	16			954	89.60	35	2.35	5.5	2457	258.18	25	1.00	GS89 GSF89 GSA89 GSAF89	4P	6.4	2142	222.40	26	1.10					7.0	1971	202.96	27	1.25			7.9			1773	180.00			27	1.35	9.5	1512	151.30			27	1.45	10	1395	139.05	28	1.50	12	1251	123.48	28	1.55	13	1125	110.40	28	1.60	14	1017	99.26	28	1.70	17			891	86.15	28	1.75	17			954	81.76	28	1.65	19					801	77.14	28		1.80																																																																																																																																																																
19	585	75.09	13	1.50			20	558	71.33	13	1.55			21	459	66.67	14	1.70			22	495	63.03	13	1.65			25	396	56.92	13	1.80			26	423	53.87			13	1.75	28	392	49.38	12	1.80	32	347	43.33	12	1.90	16	540	85.83	7.5	0.85	GS69 GSF69 GSA69 GSAF69	4P	154	77	9.10	4.6	1.60			18	495	78.00	8.0	0.95			21	486	65.63	8.1	0.95			22	464	62.35	8.3	0.95			26	410	54.70			8.4	1.05	30	351	46.40			8.2	1.25	33	320	41.89			8.0	1.30	38	279	36.85	7.8	1.40	40	266	34.80	7.8	1.40	47	230	29.63			7.5	1.50	52	207	26.93			7.4	1.55	58	198	24.00			6.7	1.60	65	189	21.67			6.6			1.70	73	166	19.06	6.5	1.75	78	158	18.00	6.3	1.80	91	135	15.33	6.1	1.90	101	124	13.93	5.9	1.95	2.2kW							2.2kW							2.1	6672	688	40	1.00	GS109R79 GSF109R79 GSA109R79 GSAF109R79	4P	2.1	6672	688	40	1.00			GS99R59 GSF99R59 GSA99R59 GSAF99R59	4P	2.4	5832	602					40	1.10	3.4					4455	420	18	0.90	3.8		4014	376		27	1.00	4.4		3519	327				32	1.20	5.0	3114			287	33	1.35			5.7	2727	252	33	1.50	3.5	3782	271.63	35	1.50	GS109 GSA109 GSAF109 GSF109	6P	4.1	3228	229.96					33	1.65	4.4			3008	212.81	33	1.70	4.9			2701	190.74	32	1.75	5.3	2498	271.63	31	1.80	GS109 GSF109 GSA109 GSAF109	4P	6.2	2135	229.96	30	1.95			6.7	2117	212.81	29	2.00			7.5	1891	190.74	28	2.10			8.3	1708	172.20	27			2.15			9.1	1558	156.41	26	2.20	3.3	4077	286.40	29	1.00	GS99 GSF99 GSA99 GSAF99	6P	3.6	3762	262.22	31	1.30			4.1	3357	231.67	32	1.35			4.8	2889	196.52			33	1.45			5.0	2817	286.40			33	1.45	GS99 GSF99 GSA99 GSAF99	4P	5.5	2601	262.22	33	1.55			6.2	2313	231.67	34	1.65			7.3					1989	196.52	34					1.75		7.9	1845		180.95	34	1.80	8.8	1656	161.74	34	1.85	9.8	1503	145.60	35	1.95	11	1368	131.85	35	2.05	12	1224	116.92	35	2.10	14	1116	105.71	35	2.20	16			954	89.60	35	2.35	5.5	2457	258.18	25	1.00	GS89 GSF89 GSA89 GSAF89	4P	6.4	2142	222.40	26	1.10			7.0	1971	202.96	27	1.25					7.9	1773	180.00	27	1.35			9.5			1512	151.30			27	1.45	10	1395	139.05			28	1.50	12	1251	123.48	28	1.55	13	1125	110.40	28	1.60	14	1017	99.26	28	1.70	17	891	86.15	28	1.75	17			954	81.76	28	1.65	19			801	77.14	28	1.80																																																																																																																																																																										
20	558	71.33	13	1.55			21	459	66.67	14	1.70			22	495	63.03	13	1.65			25	396	56.92	13	1.80			26	423	53.87	13	1.75			28	392	49.38	12	1.80	32	347	43.33	12	1.90	16	540	85.83	7.5	0.85	GS69 GSF69 GSA69 GSAF69	4P	154	77	9.10	4.6	1.60			18	495	78.00	8.0	0.95			21	486	65.63	8.1	0.95			22	464	62.35	8.3	0.95			26	410	54.70	8.4	1.05			30	351	46.40			8.2	1.25	33	320	41.89			8.0	1.30	38	279	36.85			7.8	1.40	40	266	34.80	7.8	1.40	47	230	29.63	7.5	1.50	52	207	26.93			7.4	1.55	58	198	24.00			6.7	1.60	65	189	21.67			6.6	1.70	73	166	19.06			6.5	1.75	78	158	18.00	6.3	1.80	91	135	15.33	6.1	1.90	101	124	13.93	5.9	1.95	2.2kW							2.2kW							2.1	6672	688	40	1.00	GS109R79 GSF109R79 GSA109R79 GSAF109R79	4P	2.1	6672	688	40	1.00			GS99R59 GSF99R59 GSA99R59 GSAF99R59	4P	2.4	5832	602					40	1.10	3.4					4455	420	18	0.90	3.8			4014	376	27	1.00	4.4		3519	327		32	1.20	5.0		3114	287				33	1.35	5.7	2727			252	33	1.50			3.5	3782	271.63	35	1.50	GS109 GSA109 GSAF109 GSF109	6P	4.1	3228	229.96			33	1.65	4.4			3008	212.81	33	1.70	4.9			2701	190.74	32	1.75	5.3	2498	271.63	31	1.80	GS109 GSF109 GSA109 GSAF109	4P	6.2	2135	229.96	30	1.95			6.7	2117	212.81	29	2.00			7.5	1891	190.74	28	2.10			8.3	1708	172.20	27	2.15			9.1	1558	156.41	26	2.20	3.3	4077			286.40	29	1.00	GS99 GSF99 GSA99 GSAF99	6P	3.6	3762	262.22	31	1.30			4.1	3357	231.67	32	1.35			4.8	2889	196.52	33	1.45			5.0	2817	286.40			33	1.45	GS99 GSF99 GSA99 GSAF99	4P	5.5	2601	262.22			33	1.55			6.2	2313	231.67	34	1.65			7.3	1989	196.52	34	1.75			7.9					1845	180.95	34					1.80		8.8	1656		161.74	34	1.85	9.8	1503	145.60	35	1.95	11	1368	131.85	35	2.05	12	1224	116.92	35	2.10	14	1116	105.71	35	2.20	16	954	89.60	35	2.35	5.5	2457	258.18	25	1.00	GS89 GSF89 GSA89 GSAF89	4P	6.4	2142	222.40	26	1.10			7.0	1971	202.96	27	1.25			7.9	1773	180.00	27	1.35					9.5	1512	151.30	27	1.45			10			1395	139.05			28	1.50	12	1251	123.48			28	1.55	13	1125	110.40	28	1.60	14	1017	99.26	28	1.70	17	891	86.15	28	1.75	17	954	81.76	28	1.65	19			801	77.14	28	1.80																																																																																																																																																																																	
21	459	66.67	14	1.70			22	495	63.03	13	1.65			25	396	56.92	13	1.80			26	423	53.87	13	1.75			28	392	49.38	12	1.80	32	347	43.33	12	1.90	16	540	85.83	7.5	0.85	GS69 GSF69 GSA69 GSAF69	4P	154	77	9.10	4.6	1.60			18	495	78.00	8.0	0.95			21	486	65.63	8.1	0.95			22	464	62.35	8.3	0.95			26	410	54.70	8.4	1.05			30	351	46.40	8.2	1.25			33	320	41.89			8.0	1.30	38	279	36.85			7.8	1.40	40	266	34.80			7.8	1.40	47	230	29.63	7.5	1.50	52	207	26.93	7.4	1.55	58	198	24.00			6.7	1.60	65	189	21.67			6.6	1.70	73	166	19.06			6.5	1.75	78	158	18.00	6.3	1.80	91	135	15.33	6.1	1.90	101	124	13.93	5.9	1.95	2.2kW							2.2kW							2.1	6672	688	40	1.00	GS109R79 GSF109R79 GSA109R79 GSAF109R79	4P	2.1	6672	688	40	1.00			GS99R59 GSF99R59 GSA99R59 GSAF99R59	4P	2.4	5832	602					40	1.10	3.4					4455	420	18	0.90	3.8			4014	376	27	1.00	4.4			3519	327	32	1.20	5.0		3114	287		33	1.35	5.7		2727	252				33	1.50	3.5	3782			271.63	35	1.50			GS109 GSA109 GSAF109 GSF109	6P	4.1	3228	229.96			33	1.65	4.4			3008	212.81	33			1.70	4.9	2701	190.74	32	1.75	5.3	2498	271.63	31	1.80	GS109 GSF109 GSA109 GSAF109	4P	6.2	2135	229.96			30	1.95	6.7	2117	212.81			29	2.00	7.5	1891	190.74			28	2.10	8.3	1708	172.20			27	2.15	9.1	1558	156.41			26	2.20	3.3	4077	286.40	29	1.00	GS99 GSF99 GSA99 GSAF99	6P	3.6	3762	262.22			31	1.30	4.1	3357	231.67			32	1.35	4.8	2889	196.52			33	1.45	5.0	2817	286.40			33	1.45	GS99 GSF99 GSA99 GSAF99			4P	5.5			2601	262.22	33	1.55	6.2	2313	231.67			34	1.65	7.3	1989	196.52			34	1.75	7.9	1845	180.95			34					1.80	8.8	1656					161.74		34	1.85		9.8	1503	145.60	35	1.95	11	1368	131.85	35	2.05	12	1224	116.92	35	2.10	14	1116	105.71	35	2.20	16	954	89.60	35	2.35	5.5	2457	258.18	25	1.00	GS89 GSF89 GSA89 GSAF89	4P	6.4			2142	222.40	26	1.10	7.0			1971	202.96	27	1.25	7.9			1773	180.00	27	1.35	9.5					1512	151.30	27	1.45	10			1395			139.05	28			1.50	12	1251	123.48	28			1.55	13	1125	110.40	28	1.60	14	1017	99.26	28	1.70	17	891	86.15	28	1.75	17	954	81.76	28	1.65	19	801			77.14	28	1.80																																																																																																																																																																																		
22	495	63.03	13	1.65			25	396	56.92	13	1.80			26	423	53.87	13	1.75			28	392	49.38	12	1.80	32	347	43.33	12	1.90	16	540	85.83	7.5	0.85	GS69 GSF69 GSA69 GSAF69	4P	154	77	9.10	4.6	1.60			18	495	78.00	8.0	0.95			21	486	65.63	8.1	0.95			22	464	62.35	8.3	0.95			26	410	54.70	8.4	1.05			30	351	46.40	8.2	1.25			33	320	41.89	8.0	1.30			38	279	36.85			7.8	1.40	40	266	34.80			7.8	1.40	47	230	29.63			7.5	1.50	52	207	26.93	7.4	1.55	58	198	24.00	6.7	1.60	65	189	21.67			6.6	1.70	73	166	19.06			6.5	1.75	78	158	18.00	6.3	1.80	91	135	15.33	6.1	1.90	101	124	13.93	5.9	1.95	2.2kW							2.2kW							2.1	6672	688	40	1.00	GS109R79 GSF109R79 GSA109R79 GSAF109R79	4P	2.1	6672	688	40	1.00			GS99R59 GSF99R59 GSA99R59 GSAF99R59	4P	2.4	5832	602					40	1.10	3.4					4455	420	18	0.90	3.8			4014	376	27	1.00	4.4			3519	327	32	1.20	5.0			3114	287	33	1.35	5.7		2727	252		33	1.50	3.5		3782	271.63				35	1.50	GS109 GSA109 GSAF109 GSF109	6P			4.1	3228	229.96	33	1.65			4.4	3008	212.81			33	1.70	4.9			2701	190.74	32	1.75	5.3	2498	271.63	31	1.80	GS109 GSF109 GSA109 GSAF109	4P	6.2	2135	229.96	30	1.95			6.7	2117	212.81			29	2.00	7.5	1891	190.74			28	2.10	8.3	1708	172.20			27	2.15	9.1	1558	156.41			26	2.20	3.3	4077	286.40	29	1.00	GS99 GSF99 GSA99 GSAF99	6P	3.6	3762	262.22	31	1.30			4.1	3357	231.67			32	1.35	4.8	2889	196.52			33	1.45	5.0	2817	286.40			33	1.45	GS99 GSF99 GSA99 GSAF99	4P	5.5			2601	262.22		33	1.55		6.2			2313	231.67	34	1.65	7.3	1989	196.52			34	1.75	7.9	1845	180.95			34	1.80	8.8	1656	161.74			34					1.85	9.8	1503					145.60	35	1.95	11	1368	131.85	35	2.05	12	1224	116.92	35	2.10	14	1116	105.71	35	2.20	16	954	89.60	35	2.35	5.5	2457	258.18	25	1.00	GS89 GSF89 GSA89 GSAF89	4P	6.4	2142	222.40	26	1.10			7.0			1971	202.96	27	1.25	7.9			1773	180.00	27	1.35	9.5			1512	151.30	27	1.45	10					1395	139.05	28	1.50	12			1251			123.48	28			1.55	13	1125	110.40	28			1.60	14	1017	99.26	28	1.70	17	891	86.15	28	1.75	17	954	81.76	28	1.65	19	801	77.14	28	1.80																																																																																																																																																																																									
25	396	56.92	13	1.80			26	423	53.87	13	1.75			28	392	49.38	12	1.80	32	347	43.33	12	1.90	16	540	85.83	7.5	0.85	GS69 GSF69 GSA69 GSAF69	4P	154	77	9.10	4.6	1.60			18	495	78.00	8.0	0.95			21	486	65.63	8.1	0.95			22	464	62.35	8.3	0.95			26	410	54.70	8.4	1.05			30	351	46.40	8.2	1.25			33	320	41.89	8.0	1.30			38	279	36.85	7.8	1.40			40	266	34.80			7.8	1.40	47	230	29.63			7.5	1.50	52	207	26.93			7.4	1.55	58	198	24.00	6.7	1.60	65	189	21.67	6.6	1.70	73	166	19.06			6.5	1.75	78	158	18.00	6.3	1.80	91	135	15.33	6.1	1.90	101	124	13.93	5.9	1.95	2.2kW							2.2kW							2.1	6672	688	40	1.00	GS109R79 GSF109R79 GSA109R79 GSAF109R79	4P	2.1	6672	688	40	1.00			GS99R59 GSF99R59 GSA99R59 GSAF99R59	4P	2.4	5832	602					40	1.10	3.4					4455	420	18	0.90	3.8			4014	376	27	1.00	4.4			3519	327	32	1.20	5.0			3114	287	33	1.35	5.7			2727	252	33	1.50	3.5		3782	271.63		35	1.50	GS109 GSA109 GSAF109 GSF109		6P	4.1				3228	229.96			33	1.65	4.4	3008	212.81	33	1.70			4.9	2701	190.74			32	1.75	5.3	2498	271.63	31	1.80	GS109 GSF109 GSA109 GSAF109	4P	6.2	2135	229.96	30	1.95			6.7	2117	212.81	29	2.00			7.5	1891	190.74			28	2.10	8.3	1708	172.20			27	2.15	9.1	1558	156.41			26	2.20	3.3	4077	286.40	29	1.00	GS99 GSF99 GSA99 GSAF99	6P	3.6	3762	262.22	31	1.30			4.1	3357	231.67	32	1.35			4.8	2889	196.52			33	1.45	5.0	2817	286.40			33	1.45	GS99 GSF99 GSA99 GSAF99	4P	5.5			2601	262.22			33	1.55	6.2	2313	231.67		34	1.65		7.3			1989	196.52	34	1.75	7.9	1845	180.95			34	1.80	8.8	1656	161.74			34	1.85	9.8	1503	145.60			35					1.95	11	1368	131.85	35			2.05	12	1224	116.92	35	2.10	14	1116	105.71	35	2.20	16	954	89.60	35	2.35	5.5	2457	258.18	25	1.00	GS89 GSF89 GSA89 GSAF89	4P	6.4	2142	222.40	26	1.10			7.0	1971	202.96	27	1.25			7.9			1773	180.00	27	1.35	9.5			1512	151.30	27	1.45	10			1395	139.05	28	1.50	12					1251	123.48	28	1.55	13			1125			110.40	28			1.60	14	1017	99.26	28			1.70	17	891	86.15	28	1.75	17	954	81.76	28	1.65	19	801	77.14	28	1.80																																																																																																																																																																																														
26	423	53.87	13	1.75			28	392	49.38	12	1.80	32	347	43.33	12	1.90	16	540	85.83	7.5	0.85	GS69 GSF69 GSA69 GSAF69	4P	154	77	9.10	4.6	1.60			18	495	78.00	8.0	0.95			21	486	65.63	8.1	0.95			22	464	62.35	8.3	0.95			26	410	54.70	8.4	1.05			30	351	46.40	8.2	1.25			33	320	41.89	8.0	1.30			38	279	36.85	7.8	1.40			40	266	34.80	7.8	1.40			47	230	29.63			7.5	1.50	52	207	26.93			7.4	1.55	58	198	24.00			6.7	1.60	65	189	21.67	6.6	1.70	73	166	19.06	6.5	1.75	78	158	18.00	6.3	1.80	91	135	15.33	6.1	1.90	101	124	13.93	5.9	1.95	2.2kW							2.2kW							2.1	6672	688	40	1.00	GS109R79 GSF109R79 GSA109R79 GSAF109R79	4P	2.1	6672	688	40	1.00			GS99R59 GSF99R59 GSA99R59 GSAF99R59	4P	2.4	5832	602					40	1.10	3.4					4455	420	18	0.90	3.8			4014	376	27	1.00	4.4			3519	327	32	1.20	5.0			3114	287	33	1.35	5.7			2727	252	33	1.50	3.5			3782	271.63	35	1.50	GS109 GSA109 GSAF109 GSF109		6P	4.1		3228	229.96				33	1.65	4.4		3008	212.81			33	1.70	4.9	2701	190.74	32	1.75			5.3	2498	271.63	31	1.80	GS109 GSF109 GSA109 GSAF109	4P	6.2	2135	229.96	30	1.95			6.7	2117	212.81	29	2.00			7.5	1891	190.74	28	2.10			8.3	1708	172.20			27	2.15	9.1	1558	156.41			26	2.20	3.3	4077	286.40	29	1.00	GS99 GSF99 GSA99 GSAF99	6P	3.6	3762	262.22	31	1.30			4.1	3357	231.67	32	1.35			4.8	2889	196.52	33	1.45			5.0	2817	286.40			33	1.45	GS99 GSF99 GSA99 GSAF99	4P	5.5			2601	262.22			33	1.55	6.2	2313	231.67			34	1.65	7.3	1989	196.52		34	1.75		7.9			1845	180.95	34	1.80	8.8	1656	161.74			34	1.85	9.8	1503	145.60			35	1.95	11	1368	131.85			35			2.05	12	1224	116.92	35	2.10	14			1116	105.71	35	2.20	16	954	89.60	35	2.35	5.5	2457	258.18	25	1.00	GS89 GSF89 GSA89 GSAF89	4P	6.4	2142	222.40	26	1.10			7.0	1971	202.96	27	1.25			7.9	1773	180.00	27	1.35			9.5			1512	151.30	27	1.45	10			1395	139.05	28	1.50	12			1251	123.48	28	1.55	13					1125	110.40	28	1.60	14			1017			99.26	28			1.70	17	891	86.15	28			1.75	17	954	81.76	28	1.65	19	801	77.14	28	1.80																																																																																																																																																																																																			
28	392	49.38	12	1.80	32	347	43.33	12	1.90	16	540	85.83	7.5	0.85	GS69 GSF69 GSA69 GSAF69	4P	154	77	9.10	4.6	1.60			18	495	78.00	8.0	0.95			21	486	65.63	8.1	0.95			22	464	62.35	8.3	0.95			26	410	54.70	8.4	1.05			30	351	46.40	8.2	1.25			33	320	41.89	8.0	1.30			38	279	36.85	7.8	1.40			40	266	34.80	7.8	1.40			47	230	29.63	7.5	1.50			52	207	26.93			7.4	1.55	58	198	24.00			6.7	1.60	65	189	21.67			6.6	1.70	73	166	19.06	6.5	1.75	78	158	18.00	6.3	1.80	91	135	15.33	6.1	1.90	101	124	13.93	5.9	1.95	2.2kW							2.2kW							2.1	6672	688	40	1.00	GS109R79 GSF109R79 GSA109R79 GSAF109R79	4P	2.1	6672	688			40	1.00	GS99R59 GSF99R59 GSA99R59 GSAF99R59	4P	2.4					5832	602	40					1.10	3.4	4455	420	18			0.90	3.8	4014	376	27			1.00	4.4	3519	327	32			1.20	5.0	3114	287	33			1.35	5.7	2727	252	33			1.50	3.5	3782	271.63	35			1.50	GS109 GSA109 GSAF109 GSF109	6P	4.1				3228		229.96	33		1.65		4.4	3008	212.81	33	1.70	4.9			2701	190.74	32	1.75	5.3	2498	271.63	31	1.80	GS109 GSF109 GSA109 GSAF109	4P	6.2	2135	229.96			30	1.95	6.7	2117	212.81			29	2.00	7.5	1891	190.74			28	2.10	8.3	1708	172.20			27	2.15	9.1			1558	156.41	26	2.20	3.3	4077	286.40	29	1.00	GS99 GSF99 GSA99 GSAF99	6P	3.6	3762	262.22			31	1.30	4.1	3357	231.67			32	1.35	4.8	2889	196.52			33	1.45	5.0	2817	286.40			33	1.45	GS99 GSF99 GSA99 GSAF99			4P	5.5			2601	262.22	33	1.55	6.2			2313	231.67	34	1.65	7.3			1989	196.52	34	1.75	7.9		1845	180.95		34			1.80	8.8	1656	161.74	34	1.85	9.8			1503	145.60	35	1.95	11			1368	131.85	35	2.05	12			1224			116.92	35	2.10	14	1116	105.71	35	2.20	16	954	89.60	35	2.35	5.5	2457	258.18	25	1.00	GS89 GSF89 GSA89 GSAF89	4P	6.4	2142	222.40			26	1.10	7.0	1971	202.96			27	1.25	7.9	1773	180.00			27	1.35	9.5	1512	151.30			27			1.45	10	1395	139.05	28			1.50	12	1251	123.48	28			1.55	13	1125	110.40	28					1.60	14	1017	99.26	28			1.70			17	891			86.15	28	1.75	17	954			81.76	28	1.65	19	801	77.14	28	1.80																																																																																																																																																																																																						
32	347	43.33	12	1.90	16	540	85.83	7.5	0.85	GS69 GSF69 GSA69 GSAF69	4P	154	77	9.10			4.6	1.60	18	495	78.00			8.0	0.95	21	486	65.63			8.1	0.95	22	464	62.35			8.3	0.95	26	410	54.70			8.4	1.05	30	351	46.40			8.2	1.25	33	320	41.89			8.0	1.30	38	279	36.85			7.8	1.40	40	266	34.80			7.8	1.40	47	230	29.63			7.5	1.50	52	207	26.93			7.4	1.55	58			198	24.00	6.7	1.60	65			189	21.67	6.6	1.70	73	166	19.06	6.5	1.75	78	158	18.00	6.3	1.80	91	135	15.33	6.1	1.90	101	124	13.93	5.9	1.95	2.2kW							2.2kW							2.1	6672	688	40	1.00	GS109R79 GSF109R79 GSA109R79 GSAF109R79	4P	2.1	6672	688			40	1.00	GS99R59 GSF99R59 GSA99R59 GSAF99R59			4P	2.4			5832					602	40	1.10	3.4	4455			420	18	0.90	3.8	4014			376	27	1.00	4.4	3519			327	32	1.20	5.0	3114			287	33	1.35	5.7	2727			252	33	1.50	3.5	3782			271.63	35	1.50	GS109 GSA109 GSAF109 GSF109	6P			4.1			3228		229.96		33	1.65	4.4	3008		212.81		33	1.70	4.9	2701	190.74	32	1.75	5.3	2498	271.63	31	1.80	GS109 GSF109 GSA109 GSAF109	4P	6.2	2135	229.96			30	1.95	6.7			2117	212.81	29	2.00	7.5			1891	190.74	28	2.10	8.3			1708	172.20	27	2.15	9.1			1558	156.41	26	2.20	3.3	4077	286.40	29	1.00	GS99 GSF99 GSA99 GSAF99	6P	3.6	3762	262.22			31	1.30	4.1			3357	231.67	32	1.35	4.8			2889	196.52	33	1.45	5.0			2817	286.40	33	1.45	GS99 GSF99 GSA99 GSAF99			4P	5.5		2601	262.22		33			1.55	6.2	2313	231.67	34			1.65	7.3	1989	196.52	34			1.75	7.9	1845	180.95	34		1.80	8.8		1656			161.74	34	1.85	9.8	1503	145.60	35			1.95	11	1368	131.85	35			2.05	12	1224	116.92	35			2.10	14	1116	105.71	35	2.20	16	954	89.60	35	2.35	5.5	2457	258.18	25	1.00	GS89 GSF89 GSA89 GSAF89	4P	6.4	2142	222.40			26	1.10	7.0			1971	202.96	27	1.25	7.9			1773	180.00	27	1.35	9.5			1512	151.30	27	1.45	10			1395			139.05	28	1.50	12	1251			123.48	28	1.55	13	1125			110.40	28	1.60	14	1017					99.26	28	1.70	17	891			86.15			28	1.75			17	954	81.76	28	1.65	19	801	77.14	28	1.80																																																																																																																																																																																																											
16	540	85.83	7.5	0.85	GS69 GSF69 GSA69 GSAF69	4P	154	77	9.10			4.6	1.60																																																																																																																																																																																																																																																																																																																																																																																																																																																																																																																																																																																																																																																																																			
18	495	78.00	8.0	0.95			21	486	65.63			8.1	0.95	22			464	62.35	8.3	0.95	26			410	54.70	8.4	1.05	30			351	46.40	8.2	1.25	33			320	41.89	8.0	1.30	38			279	36.85	7.8	1.40	40			266	34.80	7.8	1.40	47			230	29.63	7.5	1.50	52			207	26.93	7.4	1.55	58			198	24.00	6.7	1.60	65			189	21.67	6.6	1.70	73			166	19.06	6.5	1.75	78	158	18.00	6.3	1.80	91	135	15.33	6.1	1.90	101	124	13.93	5.9	1.95	2.2kW							2.2kW							2.1	6672	688	40	1.00	GS109R79 GSF109R79 GSA109R79 GSAF109R79	4P	2.1	6672	688	40	1.00	GS99R59 GSF99R59 GSA99R59 GSAF99R59	4P	2.4	5832	602	40	1.10	3.4	4455	420			18	0.90	3.8			4014	376		27	1.00		4.4			3519	327	32			1.20	5.0	3114	287	33			1.35	5.7	2727	252	33			1.50	3.5	3782	271.63	35			1.50	GS109 GSA109 GSAF109 GSF109	6P	4.1	3228			229.96	33	1.65	4.4	3008			212.81	33	1.70	4.9	2701	190.74	32	1.75	5.3	2498			271.63	31	1.80			GS109 GSF109 GSA109 GSAF109	4P	6.2	2135	229.96	30	1.95	6.7	2117	212.81	29	2.00	7.5	1891	190.74	28	2.10	8.3	1708	172.20	27	2.15	9.1			1558	156.41	26			2.20	3.3	4077			286.40	29	1.00	GS99 GSF99 GSA99 GSAF99	6P			3.6	3762	262.22	31	1.30	4.1	3357	231.67	32	1.35	4.8	2889	196.52	33	1.45	5.0	2817	286.40	33	1.45	GS99 GSF99 GSA99 GSAF99	4P	5.5			2601	262.22	33			1.55	6.2	2313			231.67	34	1.65	7.3	1989			196.52	34	1.75	7.9	1845	180.95	34	1.80	8.8	1656	161.74		34	1.85		9.8		1503	145.60		35			1.95	11	1368	131.85	35			2.05	12	1224	116.92	35			2.10	14	1116	105.71	35		2.20	16		954			89.60	35	2.35	5.5	2457	258.18	25			1.00	GS89 GSF89 GSA89 GSAF89	4P	6.4	2142	222.40	26	1.10	7.0	1971	202.96	27	1.25	7.9	1773	180.00	27	1.35	9.5	1512	151.30	27	1.45	10	1395	139.05	28	1.50	12	1251			123.48	28	1.55			13	1125	110.40			28	1.60	14	1017	99.26			28	1.70	17	891	86.15			28	1.75	17	954	81.76			28			1.65	19	801	77.14	28			1.80																																																																																																																																																																																																																																																		
21	486	65.63	8.1	0.95			22	464	62.35			8.3	0.95	26			410	54.70	8.4	1.05	30			351	46.40	8.2	1.25	33			320	41.89	8.0	1.30	38			279	36.85	7.8	1.40	40			266	34.80	7.8	1.40	47			230	29.63	7.5	1.50	52			207	26.93	7.4	1.55	58			198	24.00	6.7	1.60	65			189	21.67	6.6	1.70	73			166	19.06	6.5	1.75	78	158	18.00	6.3	1.80	91	135	15.33	6.1	1.90	101	124	13.93	5.9	1.95	2.2kW							2.2kW							2.1	6672	688	40	1.00	GS109R79 GSF109R79 GSA109R79 GSAF109R79	4P	2.1	6672	688	40	1.00			GS99R59 GSF99R59 GSA99R59 GSAF99R59	4P	2.4	5832	602			40	1.10	3.4	4455	420	18	0.90	3.8			4014	376	27	1.00	4.4	3519	327		32	1.20		5.0			3114	287	33			1.35	5.7	2727	252	33			1.50	3.5	3782	271.63	35			1.50	GS109 GSA109 GSAF109 GSF109	6P	4.1	3228			229.96			33	1.65			4.4	3008	212.81	33	1.70	4.9	2701	190.74	32	1.75	5.3	2498	271.63	31	1.80	GS109 GSF109 GSA109 GSAF109	4P			6.2	2135	229.96	30	1.95			6.7	2117	212.81	29	2.00	7.5	1891	190.74	28	2.10	8.3	1708	172.20	27	2.15	9.1	1558	156.41	26	2.20	3.3			4077	286.40	29			1.00	GS99 GSF99 GSA99 GSAF99	6P			3.6	3762	262.22			31	1.30	4.1	3357	231.67	32	1.35	4.8	2889	196.52	33	1.45	5.0	2817	286.40	33	1.45	GS99 GSF99 GSA99 GSAF99	4P	5.5	2601	262.22			33			1.55	6.2	2313			231.67	34	1.65			7.3	1989	196.52	34	1.75	7.9	1845	180.95	34	1.80	8.8	1656	161.74	34	1.85	9.8	1503	145.60		35	1.95		11		1368	131.85		35			2.05	12	1224	116.92	35			2.10	14	1116	105.71	35			2.20	16	954	89.60	35		2.35	5.5		2457			258.18	25	1.00	GS89 GSF89 GSA89 GSAF89	4P	6.4	2142	222.40	26	1.10			7.0	1971	202.96	27	1.25	7.9	1773	180.00	27	1.35	9.5	1512	151.30	27	1.45	10	1395	139.05	28	1.50	12	1251	123.48	28	1.55	13	1125			110.40	28	1.60			14	1017	99.26			28	1.70	17	891	86.15			28	1.75	17	954	81.76			28	1.65	19	801	77.14			28			1.80																																																																																																																																																																																																																																																									
22	464	62.35	8.3	0.95			26	410	54.70			8.4	1.05	30			351	46.40	8.2	1.25	33			320	41.89	8.0	1.30	38			279	36.85	7.8	1.40	40			266	34.80	7.8	1.40	47			230	29.63	7.5	1.50	52			207	26.93	7.4	1.55	58			198	24.00	6.7	1.60	65			189	21.67	6.6	1.70	73			166	19.06	6.5	1.75	78	158	18.00	6.3	1.80	91	135	15.33	6.1	1.90	101	124	13.93	5.9	1.95	2.2kW							2.2kW							2.1	6672	688	40	1.00	GS109R79 GSF109R79 GSA109R79 GSAF109R79	4P	2.1	6672	688	40	1.00			GS99R59 GSF99R59 GSA99R59 GSAF99R59	4P	2.4	5832	602					40	1.10	3.4			4455	420	18	0.90	3.8	4014	376	27	1.00	4.4	3519	327	32	1.20	5.0	3114	287		33	1.35		5.7			2727	252	33			1.50	3.5	3782	271.63	35			1.50	GS109 GSA109 GSAF109 GSF109	6P	4.1	3228			229.96			33	1.65			4.4			3008	212.81	33	1.70	4.9	2701	190.74	32	1.75	5.3	2498	271.63	31	1.80	GS109 GSF109 GSA109 GSAF109	4P	6.2	2135	229.96			30	1.95	6.7	2117	212.81	29	2.00			7.5	1891	190.74	28	2.10	8.3	1708	172.20	27	2.15	9.1	1558	156.41	26	2.20	3.3	4077	286.40	29	1.00	GS99 GSF99 GSA99 GSAF99			6P	3.6	3762			262.22			31	1.30	4.1	3357	231.67			32	1.35	4.8	2889	196.52	33	1.45	5.0	2817	286.40	33	1.45	GS99 GSF99 GSA99 GSAF99	4P	5.5	2601	262.22			33	1.55	6.2			2313			231.67	34	1.65			7.3	1989	196.52	34	1.75	7.9	1845	180.95	34	1.80	8.8	1656	161.74	34	1.85	9.8	1503	145.60	35	1.95	11	1368	131.85		35	2.05		12		1224	116.92		35			2.10	14	1116	105.71	35			2.20	16	954	89.60	35			2.35	5.5	2457	258.18	25		1.00	GS89 GSF89 GSA89 GSAF89		4P	6.4	2142	222.40	26	1.10			7.0	1971	202.96	27	1.25			7.9	1773	180.00	27	1.35	9.5	1512	151.30	27	1.45	10	1395	139.05	28	1.50	12	1251	123.48	28	1.55	13	1125	110.40	28	1.60	14	1017			99.26	28	1.70			17	891	86.15			28	1.75	17	954	81.76			28	1.65	19	801	77.14			28	1.80																																																																																																																																																																																																																																																																		
26	410	54.70	8.4	1.05			30	351	46.40			8.2	1.25	33			320	41.89	8.0	1.30	38			279	36.85	7.8	1.40	40			266	34.80	7.8	1.40	47			230	29.63	7.5	1.50	52			207	26.93	7.4	1.55	58			198	24.00	6.7	1.60	65			189	21.67	6.6	1.70	73			166	19.06	6.5	1.75	78	158	18.00	6.3	1.80	91	135	15.33	6.1	1.90	101	124	13.93	5.9	1.95	2.2kW							2.2kW							2.1	6672	688	40	1.00	GS109R79 GSF109R79 GSA109R79 GSAF109R79	4P	2.1	6672	688	40	1.00			GS99R59 GSF99R59 GSA99R59 GSAF99R59	4P	2.4	5832	602					40	1.10	3.4					4455	420	18			0.90	3.8	4014	376	27	1.00	4.4	3519	327	32	1.20	5.0	3114	287	33	1.35	5.7		2727	252		33			1.50	3.5	3782			271.63	35	1.50	GS109 GSA109 GSAF109 GSF109	6P			4.1			3228	229.96			33			1.65	4.4	3008	212.81	33			1.70	4.9	2701	190.74	32	1.75	5.3	2498	271.63	31	1.80	GS109 GSF109 GSA109 GSAF109	4P	6.2			2135	229.96	30			1.95	6.7	2117	212.81	29	2.00	7.5			1891	190.74	28	2.10	8.3	1708	172.20	27	2.15	9.1	1558	156.41	26	2.20	3.3	4077	286.40	29	1.00	GS99 GSF99 GSA99 GSAF99					6P	3.6	3762	262.22	31			1.30	4.1	3357	231.67	32			1.35	4.8	2889	196.52	33	1.45	5.0	2817	286.40	33	1.45	GS99 GSF99 GSA99 GSAF99			4P	5.5	2601			262.22	33	1.55			6.2			2313	231.67	34	1.65	7.3	1989	196.52	34	1.75	7.9	1845	180.95	34	1.80	8.8	1656	161.74	34	1.85	9.8	1503	145.60	35	1.95	11	1368	131.85	35		2.05	12		1224		116.92	35		2.10			14	1116	105.71	35	2.20			16	954	89.60	35	2.35			5.5	2457	258.18	25	1.00	GS89 GSF89 GSA89 GSAF89	4P		6.4		2142	222.40	26	1.10	7.0			1971	202.96	27	1.25	7.9			1773	180.00	27	1.35	9.5	1512	151.30	27	1.45	10	1395	139.05	28	1.50	12	1251	123.48	28	1.55	13	1125	110.40	28	1.60	14	1017	99.26			28	1.70	17			891	86.15	28			1.75	17	954	81.76	28			1.65	19	801	77.14	28			1.80																																																																																																																																																																																																																																																																			
30	351	46.40	8.2	1.25			33	320	41.89			8.0	1.30	38			279	36.85	7.8	1.40	40			266	34.80	7.8	1.40	47			230	29.63	7.5	1.50	52			207	26.93	7.4	1.55	58			198	24.00	6.7	1.60	65			189	21.67	6.6	1.70	73			166	19.06	6.5	1.75	78	158	18.00	6.3	1.80	91	135	15.33	6.1	1.90	101	124	13.93	5.9	1.95	2.2kW							2.2kW							2.1	6672	688	40	1.00	GS109R79 GSF109R79 GSA109R79 GSAF109R79	4P	2.1	6672	688	40	1.00			GS99R59 GSF99R59 GSA99R59 GSAF99R59	4P	2.4	5832	602					40	1.10	3.4					4455	420	18	0.90	3.8			4014	376	27			1.00	4.4	3519	327	32	1.20	5.0	3114	287	33	1.35	5.7	2727	252	33	1.50	3.5		3782	271.63		35			1.50	GS109 GSA109 GSAF109 GSF109	6P			4.1	3228	229.96					33			1.65	4.4	3008	212.81	33			1.70	4.9	2701	190.74	32	1.75	5.3	2498	271.63	31	1.80	GS109 GSF109 GSA109 GSAF109	4P	6.2	2135	229.96	30	1.95			6.7			2117	212.81	29			2.00	7.5	1891	190.74	28	2.10	8.3			1708	172.20	27	2.15	9.1	1558	156.41	26	2.20	3.3	4077	286.40	29	1.00	GS99 GSF99 GSA99 GSAF99	6P	3.6	3762	262.22			31	1.30			4.1	3357	231.67	32			1.35	4.8	2889	196.52	33			1.45	5.0	2817	286.40	33	1.45	GS99 GSF99 GSA99 GSAF99	4P	5.5	2601	262.22					33	1.55			6.2	2313	231.67			34	1.65	7.3	1989	196.52	34	1.75	7.9	1845	180.95	34	1.80	8.8	1656	161.74	34	1.85	9.8	1503	145.60	35	1.95	11	1368	131.85	35	2.05	12	1224	116.92	35		2.10	14		1116		105.71	35		2.20			16	954	89.60	35	2.35			5.5	2457	258.18	25	1.00	GS89 GSF89 GSA89 GSAF89	4P	6.4	2142	222.40	26	1.10				7.0		1971	202.96	27	1.25	7.9			1773	180.00	27	1.35	9.5			1512	151.30	27	1.45	10	1395	139.05	28	1.50	12	1251	123.48	28	1.55	13	1125	110.40	28	1.60	14	1017	99.26	28	1.70	17	891	86.15			28	1.75	17			954	81.76	28			1.65	19	801	77.14	28			1.80																																																																																																																																																																																																																																																																										
33	320	41.89	8.0	1.30			38	279	36.85			7.8	1.40	40			266	34.80	7.8	1.40	47			230	29.63	7.5	1.50	52			207	26.93	7.4	1.55	58			198	24.00	6.7	1.60	65			189	21.67	6.6	1.70	73			166	19.06	6.5	1.75	78	158	18.00	6.3	1.80	91	135	15.33	6.1	1.90	101	124	13.93	5.9	1.95	2.2kW							2.2kW							2.1	6672	688	40	1.00	GS109R79 GSF109R79 GSA109R79 GSAF109R79	4P	2.1	6672	688	40	1.00			GS99R59 GSF99R59 GSA99R59 GSAF99R59	4P	2.4	5832	602					40	1.10	3.4					4455	420	18	0.90	3.8			4014	376	27	1.00	4.4			3519	327	32			1.20	5.0	3114	287	33	1.35	5.7	2727	252	33	1.50	3.5	3782	271.63	35	1.50	GS109 GSA109 GSAF109 GSF109		6P	4.1		3228			229.96					33	1.65	4.4			3008	212.81	33			1.70	4.9	2701	190.74	32	1.75	5.3	2498	271.63	31	1.80	GS109 GSF109 GSA109 GSAF109	4P	6.2	2135	229.96	30	1.95			6.7	2117	212.81	29	2.00			7.5			1891	190.74	28			2.10	8.3	1708	172.20	27	2.15	9.1			1558	156.41	26	2.20	3.3	4077	286.40	29	1.00	GS99 GSF99 GSA99 GSAF99	6P	3.6	3762	262.22			31	1.30	4.1			3357	231.67			32	1.35	4.8	2889			196.52	33	1.45	5.0	2817			286.40	33	1.45	GS99 GSF99 GSA99 GSAF99	4P	5.5			2601	262.22	33					1.55	6.2			2313	231.67	34			1.65	7.3	1989	196.52	34	1.75	7.9	1845	180.95	34	1.80	8.8	1656	161.74	34	1.85	9.8	1503	145.60	35	1.95	11	1368	131.85	35	2.05	12	1224	116.92	35	2.10		14	1116		105.71		35	2.20		16			954	89.60	35	2.35	5.5	2457	258.18	25	1.00	GS89 GSF89 GSA89 GSAF89	4P	6.4			2142	222.40	26	1.10	7.0				1971		202.96	27	1.25	7.9	1773			180.00	27	1.35	9.5	1512			151.30	27	1.45	10	1395	139.05	28	1.50	12	1251	123.48	28	1.55	13	1125	110.40	28	1.60	14	1017	99.26	28	1.70	17	891	86.15	28			1.75	17	954			81.76	28	1.65			19	801	77.14	28	1.80																																																																																																																																																																																																																																																																													
38	279	36.85	7.8	1.40			40	266	34.80			7.8	1.40	47			230	29.63	7.5	1.50	52			207	26.93	7.4	1.55	58			198	24.00	6.7	1.60	65			189	21.67	6.6	1.70	73			166	19.06	6.5	1.75	78	158	18.00	6.3	1.80	91	135	15.33	6.1	1.90	101	124	13.93	5.9	1.95	2.2kW							2.2kW							2.1	6672	688	40	1.00	GS109R79 GSF109R79 GSA109R79 GSAF109R79	4P	2.1	6672	688	40	1.00			GS99R59 GSF99R59 GSA99R59 GSAF99R59	4P	2.4	5832	602					40	1.10	3.4					4455	420	18	0.90	3.8			4014	376	27	1.00	4.4			3519	327	32	1.20	5.0			3114	287	33			1.35	5.7	2727	252	33	1.50	3.5	3782	271.63	35	1.50	GS109 GSA109 GSAF109 GSF109	6P	4.1	3228	229.96				33		1.65			4.4			3008	212.81	33	1.70	4.9			2701	190.74	32	1.75	5.3	2498	271.63	31	1.80	GS109 GSF109 GSA109 GSAF109	4P	6.2	2135	229.96	30	1.95			6.7	2117	212.81	29	2.00			7.5	1891	190.74	28	2.10			8.3			1708	172.20	27			2.15	9.1	1558	156.41	26	2.20	3.3	4077	286.40	29	1.00	GS99 GSF99 GSA99 GSAF99	6P	3.6	3762	262.22	31	1.30			4.1	3357	231.67			32	1.35	4.8			2889	196.52			33	1.45	5.0	2817			286.40	33	1.45	GS99 GSF99 GSA99 GSAF99	4P	5.5	2601	262.22	33	1.55			6.2			2313	231.67	34					1.65	7.3			1989	196.52	34			1.75	7.9	1845	180.95	34	1.80	8.8	1656	161.74	34	1.85	9.8	1503	145.60	35	1.95	11	1368	131.85	35	2.05	12	1224	116.92	35	2.10	14	1116	105.71	35	2.20		16	954		89.60		35	2.35		5.5	2457	258.18	25	1.00	GS89 GSF89 GSA89 GSAF89	4P	6.4	2142	222.40	26	1.10			7.0			1971	202.96	27	1.25	7.9				1773		180.00	27	1.35	9.5	1512			151.30	27	1.45	10	1395			139.05	28	1.50	12	1251	123.48	28	1.55	13	1125	110.40	28	1.60	14	1017	99.26	28	1.70	17	891	86.15	28	1.75	17	954	81.76	28			1.65	19	801			77.14	28	1.80																																																																																																																																																																																																																																																																																				
40	266	34.80	7.8	1.40			47	230	29.63			7.5	1.50	52			207	26.93	7.4	1.55	58			198	24.00	6.7	1.60	65			189	21.67	6.6	1.70	73			166	19.06	6.5	1.75	78	158	18.00	6.3	1.80	91	135	15.33	6.1	1.90	101	124	13.93	5.9	1.95	2.2kW							2.2kW							2.1	6672	688	40	1.00	GS109R79 GSF109R79 GSA109R79 GSAF109R79	4P	2.1	6672	688	40	1.00			GS99R59 GSF99R59 GSA99R59 GSAF99R59	4P	2.4	5832	602					40	1.10	3.4					4455	420	18	0.90	3.8			4014	376	27	1.00	4.4			3519	327	32	1.20	5.0			3114	287	33	1.35	5.7			2727	252	33			1.50	3.5	3782	271.63	35	1.50	GS109 GSA109 GSAF109 GSF109	6P	4.1	3228	229.96			33	1.65	4.4				3008		212.81	33	1.70	4.9			2701	190.74	32	1.75	5.3	2498	271.63	31	1.80	GS109 GSF109 GSA109 GSAF109	4P	6.2	2135	229.96	30	1.95			6.7	2117	212.81	29	2.00			7.5	1891	190.74	28	2.10			8.3	1708	172.20	27	2.15			9.1			1558	156.41	26	2.20	3.3	4077	286.40	29	1.00	GS99 GSF99 GSA99 GSAF99	6P	3.6	3762	262.22	31	1.30			4.1	3357	231.67	32	1.35			4.8	2889	196.52			33	1.45	5.0			2817	286.40			33	1.45	GS99 GSF99 GSA99 GSAF99	4P	5.5	2601	262.22	33	1.55			6.2	2313	231.67	34	1.65			7.3			1989	196.52	34					1.75	7.9			1845	180.95	34			1.80	8.8	1656	161.74	34	1.85	9.8	1503	145.60	35	1.95	11	1368	131.85	35	2.05	12	1224	116.92	35	2.10	14	1116	105.71	35	2.20	16	954	89.60	35	2.35		5.5	2457		258.18	25	1.00	GS89 GSF89 GSA89 GSAF89	4P	6.4	2142	222.40	26	1.10			7.0	1971	202.96	27	1.25			7.9			1773	180.00	27	1.35	9.5				1512		151.30	27	1.45	10	1395			139.05	28	1.50	12	1251			123.48	28	1.55	13	1125	110.40	28	1.60	14	1017	99.26	28	1.70	17	891	86.15	28	1.75	17	954	81.76	28	1.65	19	801	77.14	28			1.80																																																																																																																																																																																																																																																																																											
47	230	29.63	7.5	1.50			52	207	26.93			7.4	1.55	58			198	24.00	6.7	1.60	65			189	21.67	6.6	1.70	73			166	19.06	6.5	1.75	78	158	18.00	6.3	1.80	91	135	15.33	6.1	1.90	101	124	13.93	5.9	1.95	2.2kW							2.2kW							2.1	6672	688	40	1.00	GS109R79 GSF109R79 GSA109R79 GSAF109R79	4P	2.1	6672	688	40	1.00			GS99R59 GSF99R59 GSA99R59 GSAF99R59	4P	2.4	5832	602					40	1.10	3.4					4455	420	18	0.90	3.8			4014	376	27	1.00	4.4			3519	327	32	1.20	5.0			3114	287	33	1.35	5.7			2727	252	33	1.50	3.5			3782	271.63	35			1.50	GS109 GSA109 GSAF109 GSF109	6P	4.1	3228	229.96			33	1.65	4.4			3008	212.81	33		1.70		4.9	2701	190.74	32	1.75	5.3	2498	271.63	31	1.80	GS109 GSF109 GSA109 GSAF109	4P	6.2	2135	229.96	30	1.95			6.7	2117	212.81	29	2.00			7.5	1891	190.74	28	2.10			8.3	1708	172.20	27	2.15			9.1	1558	156.41	26	2.20			3.3	4077	286.40	29	1.00	GS99 GSF99 GSA99 GSAF99	6P	3.6	3762	262.22	31	1.30			4.1	3357	231.67	32	1.35			4.8	2889	196.52	33	1.45			5.0	2817	286.40			33	1.45	GS99 GSF99 GSA99 GSAF99		4P	5.5	2601	262.22		33	1.55			6.2	2313	231.67	34	1.65			7.3	1989	196.52	34	1.75			7.9			1845	180.95	34					1.80	8.8			1656	161.74	34			1.85	9.8	1503	145.60	35	1.95	11	1368	131.85	35	2.05	12	1224	116.92	35	2.10	14	1116	105.71	35	2.20	16	954	89.60	35	2.35	5.5	2457	258.18	25	1.00	GS89 GSF89 GSA89 GSAF89	4P	6.4	2142	222.40	26	1.10			7.0	1971	202.96	27	1.25			7.9	1773	180.00	27	1.35			9.5			1512	151.30	27	1.45	10				1395		139.05	28	1.50	12	1251			123.48	28	1.55	13	1125			110.40	28	1.60	14	1017	99.26	28	1.70	17	891	86.15	28	1.75	17	954	81.76	28	1.65	19	801	77.14	28	1.80																																																																																																																																																																																																																																																																																																		
52	207	26.93	7.4	1.55			58	198	24.00			6.7	1.60	65			189	21.67	6.6	1.70	73			166	19.06	6.5	1.75	78	158	18.00	6.3	1.80	91	135	15.33	6.1	1.90	101	124	13.93	5.9	1.95	2.2kW							2.2kW							2.1	6672	688	40	1.00	GS109R79 GSF109R79 GSA109R79 GSAF109R79	4P	2.1	6672	688	40	1.00			GS99R59 GSF99R59 GSA99R59 GSAF99R59	4P	2.4	5832	602					40	1.10	3.4					4455	420	18	0.90	3.8			4014	376	27	1.00	4.4			3519	327	32	1.20	5.0			3114	287	33	1.35	5.7			2727	252	33	1.50	3.5			3782	271.63	35	1.50	GS109 GSA109 GSAF109 GSF109			6P	4.1	3228			229.96			33	1.65	4.4			3008	212.81	33			1.70	4.9	2701	190.74	32	1.75	5.3	2498	271.63	31	1.80	GS109 GSF109 GSA109 GSAF109	4P	6.2	2135	229.96			30	1.95	6.7	2117	212.81			29	2.00	7.5	1891	190.74			28	2.10	8.3	1708	172.20			27	2.15	9.1	1558	156.41			26	2.20	3.3	4077	286.40	29	1.00	GS99 GSF99 GSA99 GSAF99	6P	3.6	3762	262.22			31	1.30	4.1	3357	231.67			32	1.35	4.8	2889	196.52			33	1.45	5.0	2817	286.40			33	1.45	GS99 GSF99 GSA99 GSAF99			4P	5.5		2601		262.22	33	1.55	6.2	2313	231.67			34	1.65	7.3	1989	196.52			34	1.75	7.9	1845	180.95			34			1.80	8.8	1656					161.74	34			1.85	9.8	1503			145.60	35	1.95	11	1368	131.85	35	2.05	12	1224	116.92	35	2.10	14	1116	105.71	35	2.20	16	954	89.60	35	2.35	5.5	2457	258.18	25	1.00	GS89 GSF89 GSA89 GSAF89	4P	6.4			2142	222.40	26	1.10	7.0			1971	202.96	27	1.25	7.9			1773	180.00	27	1.35	9.5			1512			151.30	27	1.45	10	1395				139.05		28	1.50	12	1251	123.48			28	1.55	13	1125	110.40			28	1.60	14	1017	99.26	28	1.70	17	891	86.15	28	1.75	17	954	81.76	28	1.65	19	801	77.14	28	1.80																																																																																																																																																																																																																																																																																																			
58	198	24.00	6.7	1.60			65	189	21.67			6.6	1.70	73			166	19.06	6.5	1.75	78	158	18.00	6.3	1.80	91	135	15.33	6.1	1.90	101	124	13.93	5.9	1.95	2.2kW							2.2kW							2.1	6672	688	40	1.00	GS109R79 GSF109R79 GSA109R79 GSAF109R79	4P	2.1	6672	688	40	1.00			GS99R59 GSF99R59 GSA99R59 GSAF99R59	4P	2.4	5832	602					40	1.10	3.4					4455	420	18	0.90	3.8			4014	376	27	1.00	4.4			3519	327	32	1.20	5.0			3114	287	33	1.35	5.7			2727	252	33	1.50	3.5			3782	271.63	35	1.50	GS109 GSA109 GSAF109 GSF109			6P	4.1	3228	229.96					33	1.65	4.4	3008	212.81			33	1.70	4.9			2701	190.74	32	1.75	5.3	2498	271.63	31	1.80	GS109 GSF109 GSA109 GSAF109	4P	6.2	2135	229.96	30	1.95			6.7	2117	212.81			29	2.00	7.5	1891	190.74			28	2.10	8.3	1708	172.20			27	2.15	9.1	1558	156.41			26	2.20	3.3	4077	286.40	29	1.00	GS99 GSF99 GSA99 GSAF99	6P	3.6	3762	262.22	31	1.30			4.1	3357	231.67			32	1.35	4.8	2889	196.52			33	1.45	5.0	2817	286.40			33	1.45	GS99 GSF99 GSA99 GSAF99	4P	5.5			2601	262.22		33	1.55		6.2		2313		231.67	34	1.65	7.3	1989	196.52			34	1.75	7.9	1845	180.95			34	1.80	8.8	1656	161.74			34			1.85	9.8	1503					145.60	35			1.95	11	1368	131.85	35	2.05	12	1224	116.92	35	2.10	14	1116	105.71	35	2.20	16	954	89.60	35	2.35	5.5	2457	258.18	25	1.00	GS89 GSF89 GSA89 GSAF89	4P	6.4	2142	222.40	26	1.10			7.0			1971	202.96	27	1.25	7.9			1773	180.00	27	1.35	9.5			1512	151.30	27	1.45	10			1395			139.05	28	1.50	12	1251				123.48		28	1.55	13	1125	110.40			28	1.60	14	1017	99.26			28	1.70	17	891	86.15	28	1.75	17	954	81.76	28	1.65	19	801	77.14	28	1.80																																																																																																																																																																																																																																																																																																								
65	189	21.67	6.6	1.70			73	166	19.06			6.5	1.75	78	158	18.00	6.3	1.80	91	135	15.33	6.1	1.90	101	124	13.93	5.9	1.95	2.2kW							2.2kW							2.1	6672	688	40	1.00	GS109R79 GSF109R79 GSA109R79 GSAF109R79	4P	2.1	6672	688	40	1.00			GS99R59 GSF99R59 GSA99R59 GSAF99R59	4P	2.4	5832	602					40	1.10	3.4					4455	420	18	0.90	3.8			4014	376	27	1.00	4.4			3519	327	32	1.20	5.0			3114	287	33	1.35	5.7			2727	252	33	1.50	3.5			3782	271.63	35	1.50	GS109 GSA109 GSAF109 GSF109			6P	4.1	3228	229.96					33	1.65	4.4		3008	212.81		33	1.70	4.9	2701	190.74			32	1.75	5.3	2498	271.63	31	1.80	GS109 GSF109 GSA109 GSAF109	4P	6.2	2135	229.96	30	1.95			6.7	2117	212.81	29	2.00			7.5	1891	190.74			28	2.10	8.3	1708	172.20			27	2.15	9.1	1558	156.41			26	2.20	3.3	4077	286.40	29	1.00	GS99 GSF99 GSA99 GSAF99	6P	3.6	3762	262.22	31	1.30			4.1	3357	231.67	32	1.35			4.8	2889	196.52			33	1.45	5.0	2817	286.40			33	1.45	GS99 GSF99 GSA99 GSAF99	4P	5.5			2601	262.22			33	1.55	6.2	2313	231.67		34	1.65		7.3		1989		196.52	34	1.75	7.9	1845	180.95			34	1.80	8.8	1656	161.74			34	1.85	9.8	1503	145.60			35			1.95	11	1368					131.85	35	2.05	12	1224	116.92	35	2.10	14	1116	105.71	35	2.20	16	954	89.60	35	2.35	5.5	2457	258.18	25	1.00	GS89 GSF89 GSA89 GSAF89	4P	6.4	2142	222.40	26	1.10			7.0	1971	202.96	27	1.25			7.9			1773	180.00	27	1.35	9.5			1512	151.30	27	1.45	10			1395	139.05	28	1.50	12			1251			123.48	28	1.55	13	1125				110.40		28	1.60	14	1017	99.26			28	1.70	17	891	86.15			28	1.75	17	954	81.76	28	1.65	19	801	77.14	28	1.80																																																																																																																																																																																																																																																																																																													
73	166	19.06	6.5	1.75			78	158	18.00	6.3	1.80	91	135	15.33	6.1	1.90	101	124	13.93	5.9	1.95	2.2kW							2.2kW							2.1	6672	688	40	1.00	GS109R79 GSF109R79 GSA109R79 GSAF109R79	4P	2.1	6672	688	40	1.00			GS99R59 GSF99R59 GSA99R59 GSAF99R59	4P	2.4	5832	602					40	1.10	3.4					4455	420	18	0.90	3.8			4014	376	27	1.00	4.4			3519	327	32	1.20	5.0			3114	287	33	1.35	5.7			2727	252	33	1.50	3.5			3782	271.63	35	1.50	GS109 GSA109 GSAF109 GSF109			6P	4.1	3228	229.96					33	1.65	4.4		3008	212.81		33	1.70	4.9		2701	190.74		32	1.75	5.3	2498	271.63	31	1.80	GS109 GSF109 GSA109 GSAF109	4P	6.2	2135	229.96	30	1.95			6.7	2117	212.81	29	2.00			7.5	1891	190.74	28	2.10			8.3	1708	172.20			27	2.15	9.1	1558	156.41			26	2.20	3.3	4077	286.40	29	1.00	GS99 GSF99 GSA99 GSAF99	6P	3.6	3762	262.22	31	1.30			4.1	3357	231.67	32	1.35			4.8	2889	196.52	33	1.45			5.0	2817	286.40			33	1.45	GS99 GSF99 GSA99 GSAF99	4P	5.5			2601	262.22			33	1.55	6.2	2313	231.67			34	1.65	7.3	1989	196.52		34	1.75		7.9		1845		180.95	34	1.80	8.8	1656	161.74			34	1.85	9.8	1503	145.60			35	1.95	11	1368	131.85			35			2.05	12	1224		116.92	35		2.10	14	1116	105.71	35	2.20	16	954	89.60	35	2.35	5.5	2457	258.18	25	1.00	GS89 GSF89 GSA89 GSAF89	4P	6.4	2142	222.40	26	1.10			7.0	1971	202.96	27	1.25			7.9	1773	180.00	27	1.35			9.5			1512	151.30	27	1.45	10			1395	139.05	28	1.50	12			1251	123.48	28	1.55	13			1125			110.40	28	1.60	14	1017				99.26		28	1.70	17	891	86.15			28	1.75	17	954	81.76			28	1.65	19	801	77.14	28	1.80																																																																																																																																																																																																																																																																																																																		
78	158	18.00	6.3	1.80	91	135	15.33	6.1	1.90	101	124	13.93	5.9	1.95	2.2kW							2.2kW							2.1	6672	688	40	1.00	GS109R79 GSF109R79 GSA109R79 GSAF109R79	4P	2.1	6672	688	40	1.00			GS99R59 GSF99R59 GSA99R59 GSAF99R59	4P	2.4	5832	602					40	1.10	3.4					4455	420	18	0.90	3.8			4014	376	27	1.00	4.4			3519	327	32	1.20	5.0			3114	287	33	1.35	5.7			2727	252	33	1.50	3.5			3782	271.63	35	1.50	GS109 GSA109 GSAF109 GSF109			6P	4.1	3228	229.96					33	1.65	4.4		3008	212.81		33	1.70	4.9		2701	190.74		32	1.75	5.3	2498	271.63	31	1.80	GS109 GSF109 GSA109 GSAF109	4P	6.2	2135	229.96	30	1.95			6.7	2117	212.81	29	2.00			7.5	1891	190.74	28	2.10			8.3	1708	172.20	27	2.15			9.1	1558	156.41			26	2.20	3.3	4077	286.40	29	1.00	GS99 GSF99 GSA99 GSAF99	6P	3.6	3762	262.22	31	1.30			4.1	3357	231.67	32	1.35			4.8	2889	196.52	33	1.45			5.0	2817	286.40	33	1.45			GS99 GSF99 GSA99 GSAF99	4P	5.5			2601	262.22			33	1.55	6.2	2313	231.67			34	1.65	7.3	1989	196.52			34	1.75	7.9	1845	180.95		34	1.80		8.8		1656		161.74	34	1.85	9.8	1503	145.60			35	1.95	11	1368	131.85			35	2.05	12	1224	116.92			35			2.10	14	1116	105.71	35	2.20	16	954	89.60	35	2.35	5.5	2457	258.18	25	1.00	GS89 GSF89 GSA89 GSAF89	4P	6.4	2142	222.40	26	1.10			7.0	1971	202.96	27	1.25			7.9	1773	180.00	27	1.35			9.5	1512	151.30	27	1.45			10			1395	139.05	28	1.50	12			1251	123.48	28	1.55	13			1125	110.40	28	1.60	14			1017			99.26	28	1.70	17	891				86.15		28	1.75	17	954	81.76			28	1.65	19	801	77.14			28	1.80																																																																																																																																																																																																																																																																																																																							
91	135	15.33	6.1	1.90	101	124	13.93	5.9	1.95	2.2kW							2.2kW							2.1	6672	688	40	1.00	GS109R79 GSF109R79 GSA109R79 GSAF109R79	4P	2.1	6672	688			40	1.00	GS99R59 GSF99R59 GSA99R59 GSAF99R59	4P	2.4					5832	602	40					1.10	3.4	4455	420	18			0.90	3.8	4014	376	27			1.00	4.4	3519	327	32			1.20	5.0	3114	287	33			1.35	5.7	2727	252	33			1.50	3.5	3782	271.63	35			1.50	GS109 GSA109 GSAF109 GSF109	6P	4.1					3228	229.96	33		1.65	4.4		3008	212.81	33		1.70	4.9		2701	190.74	32	1.75	5.3	2498	271.63	31	1.80	GS109 GSF109 GSA109 GSAF109	4P	6.2	2135	229.96			30	1.95	6.7	2117	212.81			29	2.00	7.5	1891	190.74			28	2.10	8.3	1708	172.20			27	2.15	9.1	1558	156.41			26	2.20	3.3	4077	286.40	29	1.00	GS99 GSF99 GSA99 GSAF99	6P	3.6	3762	262.22			31	1.30	4.1	3357	231.67			32	1.35	4.8	2889	196.52			33	1.45	5.0	2817	286.40			33	1.45	GS99 GSF99 GSA99 GSAF99	4P	5.5					2601	262.22	33	1.55	6.2			2313	231.67	34	1.65	7.3			1989	196.52	34	1.75	7.9			1845	180.95	34	1.80	8.8		1656	161.74		34		1.85		9.8	1503	145.60	35	1.95	11			1368	131.85	35	2.05	12			1224	116.92	35	2.10	14			1116	105.71	35	2.20	16	954	89.60	35	2.35	5.5	2457	258.18	25	1.00	GS89 GSF89 GSA89 GSAF89	4P	6.4	2142	222.40			26	1.10	7.0	1971	202.96			27	1.25	7.9	1773	180.00			27	1.35	9.5	1512	151.30			27	1.45	10	1395	139.05			28			1.50	12	1251	123.48	28			1.55	13	1125	110.40	28			1.60	14	1017	99.26	28			1.70			17	891	86.15	28	1.75				17		954	81.76	28	1.65	19			801	77.14	28	1.80																																																																																																																																																																																																																																																																																																																												
101	124	13.93	5.9	1.95																																																																																																																																																																																																																																																																																																																																																																																																																																																																																																																																																																																																																																																																																												
2.2kW							2.2kW																																																																																																																																																																																																																																																																																																																																																																																																																																																																																																																																																																																																																																																																																									
2.1	6672	688	40	1.00	GS109R79 GSF109R79 GSA109R79 GSAF109R79	4P	2.1	6672	688	40	1.00	GS99R59 GSF99R59 GSA99R59 GSAF99R59	4P																																																																																																																																																																																																																																																																																																																																																																																																																																																																																																																																																																																																																																																																																			
2.4	5832	602	40	1.10			3.4	4455	420	18	0.90			3.8	4014	376	27	1.00	4.4	3519	327	32	1.20	5.0	3114	287	33	1.35	5.7	2727	252	33	1.50	3.5	3782	271.63	35			1.50	GS109 GSA109 GSAF109 GSF109	6P			4.1	3228	229.96	33	1.65			4.4	3008	212.81	33	1.70			4.9	2701	190.74	32	1.75			5.3	2498	271.63	31	1.80			GS109 GSF109 GSA109 GSAF109	4P	6.2	2135	229.96	30	1.95	6.7	2117	212.81	29	2.00	7.5	1891	190.74	28	2.10	8.3	1708	172.20	27	2.15	9.1	1558	156.41	26	2.20	3.3	4077	286.40	29	1.00	GS99 GSF99 GSA99 GSAF99	6P	3.6	3762	262.22	31	1.30	4.1	3357	231.67	32	1.35	4.8	2889	196.52	33	1.45	5.0	2817	286.40			33	1.45	GS99 GSF99 GSA99 GSAF99			4P	5.5	2601	262.22	33	1.55	6.2	2313	231.67	34	1.65	7.3	1989	196.52	34	1.75	7.9	1845	180.95	34	1.80	8.8	1656	161.74	34	1.85	9.8	1503	145.60	35	1.95	11	1368	131.85	35			2.05	12	1224			116.92	35	2.10	14	1116	105.71	35	2.20	16	954	89.60	35	2.35	5.5	2457	258.18	25	1.00	GS89 GSF89 GSA89 GSAF89	4P	6.4	2142	222.40			26	1.10	7.0			1971	202.96	27	1.25	7.9			1773	180.00	27	1.35	9.5			1512	151.30	27	1.45	10			1395	139.05	28	1.50	12		1251	123.48		28	1.55	13	1125	110.40	28	1.60	14	1017	99.26	28	1.70	17	891	86.15	28	1.75	17	954	81.76	28	1.65	19	801	77.14	28	1.80																																																																																																																																																																																																																																																																																																																																																																																																																												
3.4	4455	420	18	0.90			3.8	4014	376	27	1.00			4.4	3519	327	32	1.20	5.0	3114	287	33	1.35	5.7	2727	252	33	1.50	3.5	3782	271.63	35	1.50	GS109 GSA109 GSAF109 GSF109	6P	4.1	3228			229.96					33	1.65	4.4	3008	212.81			33	1.70	4.9	2701	190.74			32	1.75	5.3	2498	271.63			31	1.80	GS109 GSF109 GSA109 GSAF109	4P	6.2	2135	229.96			30	1.95	6.7	2117	212.81	29	2.00	7.5	1891	190.74	28	2.10	8.3	1708	172.20	27	2.15	9.1	1558	156.41	26	2.20	3.3	4077	286.40	29	1.00	GS99 GSF99 GSA99 GSAF99	6P	3.6			3762	262.22	31	1.30	4.1	3357	231.67	32	1.35	4.8	2889	196.52	33	1.45	5.0	2817	286.40	33			1.45	GS99 GSF99 GSA99 GSAF99		4P	5.5		2601	262.22	33	1.55	6.2	2313	231.67	34	1.65	7.3	1989	196.52	34	1.75	7.9	1845	180.95	34	1.80	8.8	1656	161.74	34	1.85	9.8	1503	145.60	35	1.95	11	1368	131.85	35	2.05			12	1224	116.92	35	2.10	14	1116	105.71	35	2.20	16	954	89.60	35	2.35	5.5	2457	258.18	25	1.00	GS89 GSF89 GSA89 GSAF89	4P	6.4			2142	222.40	26			1.10	7.0	1971			202.96	27	1.25	7.9	1773			180.00	27	1.35	9.5	1512			151.30	27	1.45	10	1395			139.05	28	1.50	12	1251	123.48	28	1.55	13	1125	110.40	28	1.60	14	1017	99.26	28	1.70	17	891	86.15	28	1.75	17	954	81.76	28	1.65	19	801	77.14	28	1.80																																																																																																																																																																																																																																																																																																																																																																																																																															
3.8	4014	376	27	1.00			4.4	3519	327	32	1.20			5.0	3114	287	33	1.35	5.7	2727	252	33	1.50	3.5	3782	271.63	35	1.50	GS109 GSA109 GSAF109 GSF109	6P	4.1	3228	229.96			33	1.65			4.4					3008	212.81	33	1.70	4.9			2701	190.74	32	1.75	5.3			2498	271.63	31	1.80	GS109 GSF109 GSA109 GSAF109	4P	6.2	2135	229.96			30	1.95	6.7			2117	212.81	29	2.00	7.5	1891	190.74	28	2.10	8.3	1708	172.20	27	2.15	9.1	1558	156.41	26	2.20	3.3	4077	286.40	29	1.00	GS99 GSF99 GSA99 GSAF99	6P	3.6			3762			262.22	31	1.30	4.1	3357	231.67	32	1.35	4.8	2889	196.52	33	1.45	5.0	2817	286.40	33	1.45	GS99 GSF99 GSA99 GSAF99	4P	5.5				2601		262.22	33	1.55	6.2	2313	231.67	34	1.65	7.3	1989	196.52	34	1.75	7.9	1845	180.95	34	1.80	8.8	1656	161.74	34	1.85	9.8	1503	145.60	35	1.95	11	1368	131.85	35	2.05	12	1224	116.92	35	2.10	14	1116	105.71	35	2.20	16	954	89.60	35	2.35	5.5	2457	258.18	25	1.00	GS89 GSF89 GSA89 GSAF89	4P	6.4			2142			222.40	26	1.10			7.0	1971	202.96			27	1.25	7.9	1773	180.00			27	1.35	9.5	1512	151.30			27	1.45	10	1395	139.05	28	1.50	12	1251	123.48	28	1.55	13	1125	110.40	28	1.60	14	1017	99.26	28	1.70	17	891	86.15	28	1.75	17	954	81.76	28	1.65	19	801	77.14	28	1.80																																																																																																																																																																																																																																																																																																																																																																																																																																		
4.4	3519	327	32	1.20	5.0	3114	287	33	1.35	5.7	2727			252	33	1.50	3.5	3782	271.63	35	1.50	GS109 GSA109 GSAF109 GSF109	6P	4.1	3228	229.96	33	1.65			4.4	3008	212.81			33	1.70			4.9					2701	190.74	32	1.75	5.3			2498	271.63	31	1.80	GS109 GSF109 GSA109 GSAF109	4P	6.2	2135	229.96	30	1.95			6.7	2117	212.81			29	2.00	7.5			1891	190.74	28	2.10	8.3	1708	172.20	27	2.15	9.1	1558	156.41	26	2.20	3.3	4077	286.40	29	1.00	GS99 GSF99 GSA99 GSAF99	6P	3.6	3762	262.22			31			1.30			4.1	3357	231.67	32	1.35	4.8	2889	196.52	33	1.45	5.0	2817	286.40	33	1.45	GS99 GSF99 GSA99 GSAF99	4P	5.5			2601				262.22		33	1.55	6.2	2313	231.67	34	1.65	7.3	1989	196.52	34	1.75	7.9	1845	180.95	34	1.80	8.8	1656	161.74	34	1.85	9.8	1503	145.60	35	1.95	11	1368	131.85	35	2.05	12	1224	116.92	35	2.10	14	1116	105.71	35	2.20	16	954	89.60	35	2.35	5.5	2457	258.18	25	1.00	GS89 GSF89 GSA89 GSAF89			4P			6.4			2142	222.40	26			1.10	7.0	1971			202.96	27	1.25	7.9	1773			180.00	27	1.35	9.5	1512	151.30	27	1.45	10	1395	139.05	28	1.50	12	1251	123.48	28	1.55	13	1125	110.40	28	1.60	14	1017	99.26	28	1.70	17	891	86.15	28	1.75	17	954	81.76	28	1.65	19	801	77.14	28	1.80																																																																																																																																																																																																																																																																																																																																																																																																																																			
5.0	3114	287	33	1.35	5.7	2727	252	33	1.50	3.5	3782			271.63	35	1.50	GS109 GSA109 GSAF109 GSF109	6P	4.1	3228	229.96			33	1.65	4.4	3008	212.81			33	1.70	4.9			2701	190.74			32	1.75	5.3			2498	271.63	31	1.80	GS109 GSF109 GSA109 GSAF109	4P	6.2	2135	229.96	30	1.95			6.7	2117	212.81	29	2.00			7.5	1891	190.74			28	2.10	8.3			1708	172.20	27	2.15	9.1	1558	156.41	26	2.20	3.3	4077	286.40	29	1.00	GS99 GSF99 GSA99 GSAF99	6P	3.6	3762	262.22			31	1.30	4.1			3357			231.67			32	1.35	4.8	2889	196.52	33	1.45	5.0	2817	286.40	33	1.45	GS99 GSF99 GSA99 GSAF99	4P	5.5			2601			262.22				33		1.55	6.2	2313	231.67	34	1.65	7.3	1989	196.52	34	1.75	7.9	1845	180.95	34	1.80	8.8	1656	161.74	34	1.85	9.8	1503	145.60	35	1.95	11	1368	131.85	35	2.05	12	1224	116.92	35	2.10	14	1116	105.71	35	2.20	16	954	89.60	35	2.35	5.5	2457	258.18	25	1.00	GS89 GSF89 GSA89 GSAF89							4P			6.4	2142	222.40			26	1.10	7.0			1971	202.96	27	1.25	7.9	1773	180.00	27	1.35	9.5	1512	151.30	27	1.45	10	1395	139.05	28	1.50	12	1251	123.48	28	1.55	13	1125	110.40	28	1.60	14	1017	99.26	28	1.70	17	891	86.15	28	1.75	17	954	81.76	28	1.65	19	801	77.14	28	1.80																																																																																																																																																																																																																																																																																																																																																																																																																																				
5.7	2727	252	33	1.50	3.5	3782	271.63	35	1.50	GS109 GSA109 GSAF109 GSF109	6P			4.1	3228	229.96			33	1.65	4.4			3008	212.81	33	1.70	4.9			2701	190.74	32	1.75	5.3	2498	271.63			31	1.80	GS109 GSF109 GSA109 GSAF109	4P	6.2	2135	229.96	30	1.95			6.7	2117	212.81	29	2.00			7.5	1891	190.74	28	2.10			8.3	1708	172.20			27	2.15	9.1			1558	156.41	26	2.20	3.3	4077	286.40	29	1.00	GS99 GSF99 GSA99 GSAF99	6P	3.6	3762	262.22			31	1.30	4.1			3357	231.67	32			1.35			4.8			2889	196.52	33	1.45	5.0	2817	286.40	33	1.45	GS99 GSF99 GSA99 GSAF99	4P	5.5			2601			262.22			33				1.55		6.2	2313	231.67	34	1.65	7.3	1989	196.52	34	1.75	7.9	1845	180.95	34	1.80	8.8	1656	161.74	34	1.85	9.8	1503	145.60	35	1.95	11	1368	131.85	35	2.05	12	1224	116.92	35	2.10	14	1116	105.71	35	2.20	16	954	89.60	35	2.35	5.5	2457	258.18	25	1.00	GS89 GSF89 GSA89 GSAF89											4P	6.4	2142			222.40	26	1.10	7.0	1971	202.96	27	1.25	7.9	1773	180.00	27	1.35	9.5	1512	151.30	27	1.45	10	1395	139.05	28	1.50	12	1251	123.48	28	1.55	13	1125	110.40	28	1.60	14	1017	99.26	28	1.70	17	891	86.15	28	1.75	17	954	81.76	28	1.65	19	801	77.14	28	1.80																																																																																																																																																																																																																																																																																																																																																																																																																																					
3.5	3782	271.63	35	1.50	GS109 GSA109 GSAF109 GSF109	6P																																																																																																																																																																																																																																																																																																																																																																																																																																																																																																																																																																																																																																																																																										
4.1	3228	229.96	33	1.65			4.4	3008	212.81					33	1.70	4.9			2701	190.74	32	1.75	5.3	2498	271.63	31	1.80	GS109 GSF109 GSA109 GSAF109	4P	6.2	2135	229.96	30	1.95	6.7	2117	212.81	29	2.00	7.5	1891			190.74	28	2.10	8.3	1708			172.20	27	2.15	9.1	1558			156.41	26	2.20	3.3	4077			286.40	29	1.00	GS99 GSF99 GSA99 GSAF99	6P	3.6	3762	262.22	31	1.30	4.1	3357	231.67	32	1.35	4.8	2889	196.52	33			1.45	5.0	2817			286.40	33	1.45			GS99 GSF99 GSA99 GSAF99	4P	5.5			2601	262.22	33	1.55	6.2	2313	231.67	34	1.65	7.3	1989	196.52	34	1.75	7.9			1845			180.95			34			1.80				8.8		1656	161.74	34	1.85	9.8	1503	145.60	35	1.95	11	1368	131.85	35	2.05	12	1224	116.92	35	2.10	14	1116	105.71	35	2.20	16	954	89.60	35	2.35	5.5	2457	258.18	25	1.00	GS89 GSF89 GSA89 GSAF89	4P	6.4	2142	222.40	26	1.10	7.0	1971	202.96	27	1.25	7.9	1773	180.00	27													1.35	9.5	1512	151.30	27	1.45	10	1395	139.05	28	1.50	12	1251	123.48	28	1.55	13	1125	110.40	28	1.60	14	1017	99.26	28	1.70	17	891	86.15	28	1.75	17	954	81.76	28	1.65	19	801	77.14	28	1.80																																																																																																																																																																																																																																																																																																																																																																																																																																																					
4.4	3008	212.81	33	1.70			4.9	2701	190.74					32	1.75	5.3	2498	271.63	31	1.80	GS109 GSF109 GSA109 GSAF109	4P	6.2	2135	229.96	30	1.95			6.7	2117	212.81	29	2.00	7.5	1891	190.74	28	2.10	8.3	1708			172.20	27	2.15	9.1	1558			156.41	26	2.20	3.3	4077			286.40	29	1.00	GS99 GSF99 GSA99 GSAF99	6P	3.6	3762	262.22	31	1.30			4.1	3357	231.67	32	1.35	4.8	2889	196.52	33	1.45	5.0	2817	286.40	33			1.45	GS99 GSF99 GSA99 GSAF99	4P			5.5	2601	262.22					33	1.55	6.2	2313	231.67	34	1.65	7.3	1989	196.52	34	1.75	7.9	1845	180.95	34	1.80	8.8			1656			161.74			34			1.85				9.8		1503	145.60	35	1.95	11	1368	131.85	35	2.05	12	1224	116.92	35	2.10	14	1116	105.71	35	2.20	16	954	89.60	35	2.35	5.5	2457	258.18	25	1.00	GS89 GSF89 GSA89 GSAF89	4P	6.4	2142	222.40			26	1.10	7.0	1971	202.96	27	1.25	7.9	1773	180.00	27	1.35	9.5	1512													151.30	27	1.45	10	1395	139.05	28	1.50	12	1251	123.48	28	1.55	13	1125	110.40	28	1.60	14	1017	99.26	28	1.70	17	891	86.15	28	1.75	17	954	81.76	28	1.65	19	801	77.14	28	1.80																																																																																																																																																																																																																																																																																																																																																																																																																																																								
4.9	2701	190.74	32	1.75			5.3	2498	271.63	31	1.80	GS109 GSF109 GSA109 GSAF109	4P	6.2	2135	229.96	30	1.95	6.7	2117			212.81	29	2.00	7.5	1891			190.74	28	2.10	8.3	1708	172.20	27	2.15	9.1	1558	156.41	26			2.20	3.3	4077	286.40	29			1.00	GS99 GSF99 GSA99 GSAF99	6P	3.6	3762	262.22	31	1.30	4.1	3357			231.67	32	1.35	4.8	2889			196.52	33	1.45	5.0	2817	286.40	33	1.45	GS99 GSF99 GSA99 GSAF99	4P	5.5	2601	262.22	33			1.55					6.2	2313	231.67	34	1.65			7.3	1989	196.52	34	1.75	7.9	1845	180.95	34	1.80	8.8	1656	161.74	34	1.85	9.8	1503	145.60			35			1.95			11			1368				131.85		35	2.05	12	1224	116.92	35	2.10	14	1116	105.71	35	2.20	16	954	89.60	35	2.35	5.5	2457	258.18	25	1.00	GS89 GSF89 GSA89 GSAF89	4P	6.4	2142	222.40	26	1.10			7.0	1971	202.96			27	1.25	7.9	1773	180.00	27	1.35	9.5	1512	151.30	27	1.45	10	1395													139.05	28	1.50	12	1251	123.48	28	1.55	13	1125	110.40	28	1.60	14	1017	99.26	28	1.70	17	891	86.15	28	1.75	17	954	81.76	28	1.65	19	801	77.14	28	1.80																																																																																																																																																																																																																																																																																																																																																																																																																																																													
5.3	2498	271.63	31	1.80	GS109 GSF109 GSA109 GSAF109	4P																																																																																																																																																																																																																																																																																																																																																																																																																																																																																																																																																																																																																																																																																										
6.2	2135	229.96	30	1.95			6.7	2117	212.81	29	2.00			7.5	1891	190.74	28	2.10	8.3	1708			172.20	27	2.15	9.1	1558			156.41	26	2.20	3.3	4077	286.40	29	1.00	GS99 GSF99 GSA99 GSAF99	6P	3.6	3762	262.22	31	1.30	4.1	3357	231.67	32	1.35	4.8	2889			196.52	33	1.45	5.0	2817	286.40	33			1.45	GS99 GSF99 GSA99 GSAF99	4P	5.5	2601			262.22	33	1.55	6.2	2313	231.67	34	1.65			7.3	1989	196.52	34	1.75	7.9	1845			180.95	34	1.80	8.8	1656	161.74	34			1.85	9.8	1503	145.60	35	1.95	11	1368	131.85	35	2.05	12	1224	116.92	35	2.10	14	1116			105.71			35			2.20			16	954	89.60	35	2.35	5.5	2457	258.18	25	1.00	GS89 GSF89 GSA89 GSAF89	4P	6.4	2142	222.40	26	1.10	7.0	1971	202.96	27	1.25	7.9	1773	180.00	27	1.35	9.5			1512	151.30	27	1.45	10			1395	139.05	28			1.50	12	1251	123.48	28	1.55	13	1125	110.40	28	1.60	14	1017	99.26													28	1.70	17	891	86.15	28	1.75	17	954	81.76	28	1.65	19	801	77.14	28	1.80																																																																																																																																																																																																																																																																																																																																																																																																																																																																													
6.7	2117	212.81	29	2.00			7.5	1891	190.74	28	2.10			8.3	1708	172.20	27	2.15	9.1	1558			156.41	26	2.20	3.3	4077			286.40	29	1.00	GS99 GSF99 GSA99 GSAF99	6P	3.6	3762	262.22			31	1.30	4.1	3357	231.67	32	1.35	4.8	2889	196.52	33	1.45			5.0	2817	286.40	33	1.45	GS99 GSF99 GSA99 GSAF99	4P			5.5			2601	262.22			33	1.55	6.2	2313	231.67	34	1.65	7.3			1989	196.52	34	1.75	7.9	1845	180.95			34	1.80	8.8	1656	161.74	34	1.85			9.8	1503	145.60	35	1.95	11	1368	131.85	35	2.05	12	1224	116.92	35	2.10	14	1116	105.71			35			2.20			16	954	89.60	35	2.35	5.5	2457	258.18	25	1.00	GS89 GSF89 GSA89 GSAF89	4P	6.4			2142	222.40	26	1.10	7.0	1971	202.96	27	1.25	7.9	1773	180.00	27	1.35	9.5	1512			151.30	27	1.45	10	1395			139.05	28	1.50			12	1251	123.48	28	1.55	13	1125	110.40	28	1.60	14	1017	99.26	28													1.70	17	891	86.15	28	1.75	17	954	81.76	28	1.65	19	801	77.14	28	1.80																																																																																																																																																																																																																																																																																																																																																																																																																																																																														
7.5	1891	190.74	28	2.10			8.3	1708	172.20	27	2.15			9.1	1558	156.41	26	2.20	3.3	4077			286.40	29	1.00	GS99 GSF99 GSA99 GSAF99	6P	3.6	3762	262.22	31	1.30			4.1	3357	231.67			32	1.35	4.8	2889	196.52	33	1.45	5.0	2817	286.40	33	1.45			GS99 GSF99 GSA99 GSAF99	4P	5.5	2601	262.22					33			1.55	6.2	2313	231.67	34	1.65	7.3	1989	196.52	34	1.75	7.9			1845	180.95	34	1.80	8.8	1656	161.74			34	1.85	9.8	1503	145.60	35	1.95			11	1368	131.85	35	2.05	12	1224	116.92	35	2.10	14	1116	105.71	35	2.20	16	954	89.60			35			2.35	5.5	2457	258.18	25	1.00	GS89 GSF89 GSA89 GSAF89	4P	6.4	2142	222.40	26	1.10			7.0			1971	202.96	27	1.25	7.9	1773	180.00	27	1.35	9.5	1512	151.30	27	1.45	10	1395			139.05	28	1.50	12	1251			123.48	28	1.55			13	1125	110.40	28	1.60	14	1017	99.26	28	1.70	17	891	86.15	28													1.75	17	954	81.76	28	1.65	19	801	77.14	28	1.80																																																																																																																																																																																																																																																																																																																																																																																																																																																																																			
8.3	1708	172.20	27	2.15			9.1	1558	156.41	26	2.20			3.3	4077	286.40	29	1.00	GS99 GSF99 GSA99 GSAF99	6P	3.6	3762	262.22	31	1.30			4.1	3357	231.67	32	1.35			4.8	2889	196.52			33	1.45	5.0	2817	286.40	33	1.45	GS99 GSF99 GSA99 GSAF99	4P	5.5	2601	262.22					33	1.55	6.2			2313	231.67	34			1.65	7.3	1989	196.52	34	1.75	7.9	1845	180.95	34	1.80	8.8			1656	161.74	34	1.85	9.8	1503	145.60			35	1.95	11	1368	131.85	35	2.05			12	1224	116.92	35	2.10	14	1116	105.71	35	2.20	16	954	89.60	35	2.35	5.5	2457	258.18			25	1.00	GS89 GSF89 GSA89 GSAF89	4P	6.4	2142	222.40	26	1.10			7.0	1971	202.96	27	1.25			7.9			1773	180.00	27	1.35	9.5	1512	151.30	27	1.45	10	1395	139.05	28	1.50	12	1251			123.48	28	1.55	13	1125			110.40	28	1.60			14	1017	99.26	28	1.70	17	891	86.15	28	1.75	17	954	81.76	28										1.65	19		801	77.14	28	1.80																																																																																																																																																																																																																																																																																																																																																																																																																																																																																										
9.1	1558	156.41	26	2.20			3.3	4077	286.40	29	1.00	GS99 GSF99 GSA99 GSAF99	6P	3.6	3762	262.22	31	1.30			4.1	3357	231.67	32	1.35			4.8	2889	196.52	33	1.45			5.0	2817	286.40			33	1.45	GS99 GSF99 GSA99 GSAF99	4P	5.5	2601	262.22			33	1.55	6.2	2313	231.67			34	1.65	7.3			1989	196.52	34			1.75	7.9	1845	180.95	34	1.80	8.8	1656	161.74	34	1.85	9.8			1503	145.60	35	1.95	11	1368	131.85			35	2.05	12	1224	116.92	35	2.10			14	1116	105.71	35	2.20	16	954	89.60	35	2.35	5.5	2457	258.18	25	1.00	GS89 GSF89 GSA89 GSAF89	4P	6.4	2142	222.40	26	1.10			7.0	1971	202.96	27	1.25			7.9	1773	180.00	27	1.35			9.5			1512	151.30	27	1.45	10	1395	139.05	28	1.50	12	1251	123.48	28	1.55	13	1125			110.40	28	1.60	14	1017			99.26	28	1.70			17	891	86.15	28	1.75	17	954	81.76	28	1.65	19	801	77.14	28							1.80																																																																																																																																																																																																																																																																																																																																																																																																																																																																																																			
3.3	4077	286.40	29	1.00	GS99 GSF99 GSA99 GSAF99	6P																																																																																																																																																																																																																																																																																																																																																																																																																																																																																																																																																																																																																																																																																										
3.6	3762	262.22	31	1.30			4.1	3357	231.67	32	1.35			4.8	2889	196.52	33	1.45			5.0	2817	286.40	33	1.45			GS99 GSF99 GSA99 GSAF99	4P	5.5	2601	262.22			33	1.55	6.2	2313	231.67	34	1.65			7.3	1989	196.52			34	1.75	7.9	1845	180.95			34	1.80	8.8			1656	161.74	34			1.85	9.8	1503	145.60	35	1.95	11	1368	131.85	35	2.05	12			1224	116.92	35	2.10	14	1116	105.71			35	2.20	16	954	89.60	35	2.35	5.5	2457	258.18	25	1.00	GS89 GSF89 GSA89 GSAF89	4P	6.4	2142	222.40	26	1.10	7.0	1971	202.96	27	1.25			7.9	1773	180.00	27	1.35			9.5	1512	151.30	27	1.45			10	1395	139.05	28	1.50			12			1251	123.48	28	1.55	13	1125	110.40	28	1.60	14	1017	99.26	28	1.70	17	891			86.15	28	1.75	17	954			81.76	28	1.65			19	801	77.14	28	1.80																																																																																																																																																																																																																																																																																																																																																																																																																																																																																																																			
4.1	3357	231.67	32	1.35			4.8	2889	196.52	33	1.45			5.0	2817	286.40	33	1.45			GS99 GSF99 GSA99 GSAF99	4P	5.5	2601	262.22					33	1.55	6.2	2313	231.67	34	1.65	7.3	1989	196.52	34	1.75			7.9	1845	180.95			34	1.80	8.8	1656	161.74			34	1.85	9.8			1503	145.60	35			1.95	11	1368	131.85	35	2.05	12	1224	116.92	35	2.10	14			1116	105.71	35	2.20	16	954	89.60	35	2.35	5.5	2457	258.18	25	1.00	GS89 GSF89 GSA89 GSAF89	4P	6.4	2142	222.40	26	1.10			7.0	1971	202.96	27	1.25	7.9	1773	180.00	27	1.35			9.5	1512	151.30	27	1.45			10	1395	139.05	28	1.50			12	1251	123.48	28	1.55			13			1125	110.40	28	1.60	14	1017	99.26	28	1.70	17	891	86.15	28	1.75	17	954			81.76	28	1.65	19	801			77.14	28	1.80																																																																																																																																																																																																																																																																																																																																																																																																																																																																																																																										
4.8	2889	196.52	33	1.45			5.0	2817	286.40	33	1.45			GS99 GSF99 GSA99 GSAF99	4P	5.5	2601	262.22					33	1.55	6.2	2313	231.67			34	1.65	7.3	1989	196.52	34	1.75	7.9	1845	180.95	34	1.80			8.8	1656	161.74			34	1.85	9.8	1503	145.60			35	1.95	11			1368	131.85	35			2.05	12	1224	116.92	35	2.10	14	1116	105.71	35	2.20	16	954	89.60	35	2.35	5.5	2457	258.18	25	1.00	GS89 GSF89 GSA89 GSAF89	4P	6.4	2142	222.40	26	1.10			7.0	1971	202.96	27	1.25			7.9	1773	180.00	27	1.35	9.5	1512	151.30	27	1.45			10	1395	139.05	28	1.50			12	1251	123.48	28	1.55			13	1125	110.40	28	1.60			14			1017	99.26	28	1.70	17	891	86.15	28	1.75	17	954	81.76	28	1.65	19	801			77.14	28	1.80																																																																																																																																																																																																																																																																																																																																																																																																																																																																																																																																	
5.0	2817	286.40	33	1.45			GS99 GSF99 GSA99 GSAF99	4P																																																																																																																																																																																																																																																																																																																																																																																																																																																																																																																																																																																																																																																																																								
5.5	2601	262.22	33	1.55					6.2	2313	231.67	34	1.65			7.3	1989	196.52	34	1.75			7.9	1845	180.95	34	1.80			8.8	1656	161.74	34	1.85	9.8	1503	145.60	35	1.95	11	1368			131.85	35	2.05			12	1224	116.92	35	2.10			14	1116	105.71			35	2.20	16	954	89.60	35	2.35	5.5	2457	258.18	25	1.00	GS89 GSF89 GSA89 GSAF89	4P	6.4	2142	222.40	26	1.10	7.0	1971	202.96	27	1.25	7.9	1773			180.00	27	1.35	9.5	1512			151.30	27	1.45	10	1395			139.05	28	1.50	12	1251	123.48	28	1.55	13	1125			110.40	28	1.60	14	1017			99.26	28	1.70	17	891			86.15	28	1.75	17	954			81.76			28	1.65	19	801	77.14	28	1.80																																																																																																																																																																																																																																																																																																																																																																																																																																																																																																																																															
6.2	2313	231.67	34	1.65	7.3	1989			196.52	34	1.75	7.9	1845			180.95	34	1.80	8.8	1656			161.74	34	1.85	9.8	1503			145.60	35	1.95	11	1368	131.85	35	2.05	12	1224	116.92	35			2.10	14	1116			105.71	35	2.20	16	954			89.60	35	2.35	5.5	2457	258.18	25	1.00	GS89 GSF89 GSA89 GSAF89	4P	6.4	2142	222.40	26	1.10	7.0	1971			202.96	27	1.25	7.9	1773	180.00	27	1.35	9.5	1512	151.30	27			1.45	10	1395	139.05	28			1.50	12	1251	123.48	28			1.55	13	1125	110.40	28	1.60	14	1017	99.26	28			1.70	17	891	86.15	28			1.75	17	954	81.76	28			1.65	19	801	77.14	28			1.80																																																																																																																																																																																																																																																																																																																																																																																																																																																																																																																																																								
7.3	1989	196.52	34	1.75	7.9	1845			180.95	34	1.80	8.8	1656			161.74	34	1.85	9.8	1503			145.60	35	1.95	11	1368			131.85	35	2.05	12	1224	116.92	35	2.10	14	1116	105.71	35			2.20	16	954			89.60	35	2.35	5.5	2457	258.18	25	1.00	GS89 GSF89 GSA89 GSAF89	4P	6.4	2142	222.40	26	1.10			7.0	1971	202.96	27	1.25	7.9	1773			180.00	27	1.35	9.5	1512	151.30	27	1.45	10	1395	139.05	28			1.50	12	1251	123.48	28			1.55	13	1125	110.40	28			1.60	14	1017	99.26	28	1.70	17	891	86.15	28			1.75	17	954	81.76	28			1.65	19	801	77.14	28			1.80																																																																																																																																																																																																																																																																																																																																																																																																																																																																																																																																																															
7.9	1845	180.95	34	1.80	8.8	1656			161.74	34	1.85	9.8	1503			145.60	35	1.95	11	1368			131.85	35	2.05	12	1224			116.92	35	2.10	14	1116	105.71	35	2.20	16	954	89.60	35			2.35	5.5	2457	258.18	25	1.00	GS89 GSF89 GSA89 GSAF89	4P	6.4	2142	222.40	26	1.10			7.0	1971	202.96	27	1.25			7.9	1773	180.00	27	1.35	9.5	1512			151.30	27	1.45	10	1395	139.05	28	1.50	12	1251	123.48	28			1.55	13	1125	110.40	28			1.60	14	1017	99.26	28			1.70	17	891	86.15	28	1.75	17	954	81.76	28			1.65	19	801	77.14	28			1.80																																																																																																																																																																																																																																																																																																																																																																																																																																																																																																																																																																						
8.8	1656	161.74	34	1.85	9.8	1503			145.60	35	1.95	11	1368			131.85	35	2.05	12	1224			116.92	35	2.10	14	1116			105.71	35	2.20	16	954	89.60	35	2.35	5.5	2457	258.18	25	1.00	GS89 GSF89 GSA89 GSAF89	4P	6.4	2142	222.40	26	1.10			7.0	1971	202.96	27	1.25			7.9	1773	180.00	27	1.35			9.5	1512	151.30	27	1.45	10	1395			139.05	28	1.50	12	1251	123.48	28	1.55	13	1125	110.40	28			1.60	14	1017	99.26	28			1.70	17	891	86.15	28			1.75	17	954	81.76	28	1.65	19	801	77.14	28			1.80																																																																																																																																																																																																																																																																																																																																																																																																																																																																																																																																																																													
9.8	1503	145.60	35	1.95	11	1368			131.85	35	2.05	12	1224			116.92	35	2.10	14	1116			105.71	35	2.20	16	954			89.60	35	2.35	5.5	2457	258.18	25	1.00	GS89 GSF89 GSA89 GSAF89	4P	6.4	2142	222.40			26	1.10	7.0	1971	202.96			27	1.25	7.9	1773	180.00			27	1.35	9.5	1512	151.30			27	1.45	10	1395	139.05	28	1.50			12	1251	123.48	28	1.55	13	1125	110.40	28	1.60	14	1017			99.26	28	1.70	17	891			86.15	28	1.75	17	954			81.76	28	1.65	19	801	77.14	28	1.80																																																																																																																																																																																																																																																																																																																																																																																																																																																																																																																																																																																		
11	1368	131.85	35	2.05	12	1224			116.92	35	2.10	14	1116			105.71	35	2.20	16	954			89.60	35	2.35	5.5	2457	258.18	25	1.00	GS89 GSF89 GSA89 GSAF89	4P	6.4	2142	222.40	26	1.10			7.0	1971	202.96			27	1.25	7.9	1773	180.00			27	1.35	9.5	1512	151.30			27	1.45	10	1395	139.05			28	1.50	12	1251	123.48	28	1.55			13	1125	110.40	28	1.60	14	1017	99.26	28	1.70	17	891			86.15	28	1.75	17	954			81.76	28	1.65	19	801			77.14	28	1.80																																																																																																																																																																																																																																																																																																																																																																																																																																																																																																																																																																																							
12	1224	116.92	35	2.10	14	1116			105.71	35	2.20	16	954			89.60	35	2.35	5.5	2457	258.18	25	1.00	GS89 GSF89 GSA89 GSAF89	4P	6.4	2142	222.40	26	1.10			7.0	1971	202.96	27	1.25			7.9	1773	180.00			27	1.35	9.5	1512	151.30			27	1.45	10	1395	139.05			28	1.50	12	1251	123.48			28	1.55	13	1125	110.40	28	1.60			14	1017	99.26	28	1.70	17	891	86.15	28	1.75	17	954			81.76	28	1.65	19	801			77.14	28	1.80																																																																																																																																																																																																																																																																																																																																																																																																																																																																																																																																																																																														
14	1116	105.71	35	2.20	16	954			89.60	35	2.35	5.5	2457	258.18	25	1.00	GS89 GSF89 GSA89 GSAF89	4P	6.4	2142	222.40	26	1.10			7.0	1971	202.96	27	1.25			7.9	1773	180.00	27	1.35			9.5	1512	151.30			27	1.45	10	1395	139.05			28	1.50	12	1251	123.48			28	1.55	13	1125	110.40			28	1.60	14	1017	99.26	28	1.70			17	891	86.15	28	1.75	17	954	81.76	28	1.65	19	801			77.14	28	1.80																																																																																																																																																																																																																																																																																																																																																																																																																																																																																																																																																																																																					
16	954	89.60	35	2.35	5.5	2457	258.18	25	1.00	GS89 GSF89 GSA89 GSAF89	4P	6.4	2142	222.40	26	1.10			7.0	1971	202.96	27	1.25			7.9	1773	180.00	27	1.35			9.5	1512	151.30	27	1.45			10	1395	139.05			28	1.50	12	1251	123.48			28	1.55	13	1125	110.40			28	1.60	14	1017	99.26			28	1.70	17	891	86.15	28	1.75			17	954	81.76	28	1.65	19	801	77.14	28	1.80																																																																																																																																																																																																																																																																																																																																																																																																																																																																																																																																																																																																												
5.5	2457	258.18	25	1.00	GS89 GSF89 GSA89 GSAF89	4P																																																																																																																																																																																																																																																																																																																																																																																																																																																																																																																																																																																																																																																																																										
6.4	2142	222.40	26	1.10			7.0	1971	202.96			27	1.25	7.9	1773	180.00			27	1.35	9.5	1512	151.30			27	1.45	10	1395	139.05			28	1.50	12	1251	123.48			28	1.55	13			1125	110.40	28	1.60	14			1017	99.26	28	1.70	17			891	86.15	28	1.75	17			954	81.76	28	1.65	19	801	77.14			28	1.80																																																																																																																																																																																																																																																																																																																																																																																																																																																																																																																																																																																																																				
7.0	1971	202.96	27	1.25			7.9	1773	180.00			27	1.35	9.5	1512	151.30			27	1.45	10	1395	139.05			28	1.50	12	1251	123.48			28	1.55	13	1125	110.40			28	1.60	14			1017	99.26	28	1.70	17			891	86.15	28	1.75	17			954	81.76	28	1.65	19			801	77.14	28	1.80																																																																																																																																																																																																																																																																																																																																																																																																																																																																																																																																																																																																																											
7.9	1773	180.00	27	1.35			9.5	1512	151.30			27	1.45	10	1395	139.05			28	1.50	12	1251	123.48			28	1.55	13	1125	110.40			28	1.60	14	1017	99.26			28	1.70	17			891	86.15	28	1.75	17			954	81.76	28	1.65	19			801	77.14	28	1.80																																																																																																																																																																																																																																																																																																																																																																																																																																																																																																																																																																																																																																		
9.5	1512	151.30	27	1.45			10	1395	139.05			28	1.50	12	1251	123.48			28	1.55	13	1125	110.40			28	1.60	14	1017	99.26			28	1.70	17	891	86.15			28	1.75	17			954	81.76	28	1.65	19			801	77.14	28	1.80																																																																																																																																																																																																																																																																																																																																																																																																																																																																																																																																																																																																																																									
10	1395	139.05	28	1.50			12	1251	123.48			28	1.55	13	1125	110.40			28	1.60	14	1017	99.26			28	1.70	17	891	86.15			28	1.75	17	954	81.76			28	1.65	19			801	77.14	28	1.80																																																																																																																																																																																																																																																																																																																																																																																																																																																																																																																																																																																																																																																
12	1251	123.48	28	1.55			13	1125	110.40			28	1.60	14	1017	99.26			28	1.70	17	891	86.15			28	1.75	17	954	81.76			28	1.65	19	801	77.14			28	1.80																																																																																																																																																																																																																																																																																																																																																																																																																																																																																																																																																																																																																																																							
13	1125	110.40	28	1.60			14	1017	99.26			28	1.70	17	891	86.15			28	1.75	17	954	81.76			28	1.65	19	801	77.14			28	1.80																																																																																																																																																																																																																																																																																																																																																																																																																																																																																																																																																																																																																																																														
14	1017	99.26	28	1.70			17	891	86.15			28	1.75	17	954	81.76			28	1.65	19	801	77.14			28	1.80																																																																																																																																																																																																																																																																																																																																																																																																																																																																																																																																																																																																																																																																					
17	891	86.15	28	1.75			17	954	81.76			28	1.65	19	801	77.14			28	1.80																																																																																																																																																																																																																																																																																																																																																																																																																																																																																																																																																																																																																																																																												
17	954	81.76	28	1.65			19	801	77.14			28	1.80																																																																																																																																																																																																																																																																																																																																																																																																																																																																																																																																																																																																																																																																																			
19	801	77.14	28	1.80																																																																																																																																																																																																																																																																																																																																																																																																																																																																																																																																																																																																																																																																																												

选型参数表
(恒功率) 2.2kW-3kW
Selection Table
(Constant Power) 2.2kW-3kW

n_a [r/min]	M_a [Nm]	i	F_{Ra} [kN]	f_B	机型号 Type size	极数 Pole	n_a [r/min]	M_a [Nm]	i	F_{Ra} [kN]	f_B	机型号 Type size	极数 Pole																																																																																																																																																																																																																																																																																																																																																																																																																																																																																																																																																																																																																																																																																																																																																																																																																													
2.2kW							3kW																																																																																																																																																																																																																																																																																																																																																																																																																																																																																																																																																																																																																																																																																																																																																																																																																																			
20	828	70.43	28	1.75	GS89	4P	5.0	3861	286.40	31	1.05	GS99 GSF99 GSA99 GSAF99	4P																																																																																																																																																																																																																																																																																																																																																																																																																																																																																																																																																																																																																																																																																																																																																																																																																													
22	756	64.27	28	1.80	GSF89		25	675	57.00	28	1.90			GSA89						GSAF89	11	1251	130.00	6	1.00	GS79	4P	7.3	2736	196.52	33	1.45	GS99 GSF99 GSA99 GSAF99	4P	12	1188	123.20	11	1.05	GSF79	13	1053	107.83	12	1.20	GSF79	15	954	97.14	13	1.25	GSA79	17	846	85.22	13	1.30	GSAF79	19	756	75.20	13	1.35	GSAF79	4P	8.8	2277	161.74	34	1.60	GS99 GSF99 GSA99 GSAF99	4P	21	671	66.67	13	1.40	GS79	23	729	63.03	12	1.35	GSF79	25	581	56.92	12	1.50	GSF79	27	626	53.87	11	1.45	GSA79	29	572	49.38	11	1.50	GSAF79	33	504	43.33	11	1.55	GSAF79	4P	11	1881	131.85	34	1.75	GS99 GSF99 GSA99 GSAF99	4P	35	482	41.07	11	1.60	GS79	40	423	35.94	11	1.65	GSF79	44	383	32.38	10	1.75	GSF79	50	338	28.41	10	1.80	GSA79	57	297	25.07	10	1.90	GSAF79	60	279	23.87	9.0	1.95	GSAF79	4P	12	1683	116.92	34	1.80	GS89 GSF89 GSA89 GSAF89	4P	68	257	20.89	8.9	2.05	GSAF79	31	513	46.40	7.1	0.95		14	1530	105.71	35	1.90	GS89 GSF89 GSA89 GSAF89	4P	34	464	41.89	7.1	1.05		16	1305	89.60	35	2.00	39	414	36.85	7.0	1.15		18	1323	80.85	35	2.00	41	392	34.80	7.0	1.20		7.9	2430	180.00	26	1.00	GS79 GSF79 GSA79 GSAF79	4P	48	333	29.63	6.8	1.25		9.5	2070	151.30	27	1.15	53	306	26.93	6.7	1.30	GS69	10	1917	139.05	27	1.25	61	266	23.33	6.6	1.35	GSF69	12	1710	123.48	27	1.30	66	243	21.67	5.8	1.40	GSA69	13	1548	110.40	27	1.40	75	214	19.06	5.7	1.45	GSAF69	14	1395	99.26	28	1.45	79	208	18.00	5.7	1.50		17	1224	86.15	28	1.50	93	183	15.33	5.6	1.60		17	1314	81.76	28	1.40	103	165	13.93	5.5	1.65		19	1107	77.14	28	1.55	118	144	12.07	5.4	1.70		20	1134	70.43	28	1.50	136	125	10.50	5.3	1.80		22	1044	64.27	28	1.55	106	166	13.50	4.4	1.00	GS59	25	927	57.00	28	1.65	GS79 GSF79 GSA79 GSAF79	4P	124	141	11.53	4.4	1.15	GSF59	30	783	47.91	28	1.75	132	131	10.80	4.3	1.20	GSA59	32	720	44.03	28	1.80	157	112	9.10	4.2	1.40	GSAF59	37	644	39.10	28	1.90	44	527	32.38	10	1.50		41	576	34.96	28	1.95	50	464	28.41	10	1.55		17	1161	85.22	11	1.05	GS79 GSF79 GSA79 GSAF79	4P	57	410	25.07	9.3	1.65		19	1035	75.20	12	1.15	60	386	23.87	8.2	1.65		21	918	66.67	12	1.20	68	341	20.89	8.2	1.75		23	999	63.03	10	1.15	76	306	18.82	8.0	1.80		25	792	56.92	11	1.30	87	266	16.51	8.0	1.90		27	855	53.87	10	1.25	98	237	14.57	7.8	2.00		29	792	49.38	10	1.25	111	209	12.92	7.7	2.10		33	693	43.33	10	1.35	130	179	11.03	7.5	2.20		35	662	41.07	10	1.35	41	536	34.80	6.0	0.85		40	581	35.94	10	1.45	GS79 GSF79 GSA79 GSAF79	4P	48	459	29.63	6.0	1.00		44	527	32.38	10	1.50	53	419	26.93	6.0	1.10		50	464	28.41	10	1.55	61	365	23.33	6.0	1.15		57	410	25.07	9.3	1.65	66	344	21.67	5.2	1.20		60	386	23.87	8.2	1.65	75	302	19.06	5.0	1.25		68	341	20.89	8.2	1.75	79	287	18.00	5.0	1.30		76	306	18.82	8.0	1.80	93	244	15.33	5.0	1.35		87	266	16.51	8.0	1.90	103	221	13.93	4.9	1.40		98	237	14.57	7.8	2.00	118	196	12.07	4.9	1.50		111	209	12.92	7.7	2.10	136	170	10.50	4.8	1.55		130	179	11.03	7.5	2.20	GS69 GSF69 GSA69 GSAF69	4P	132	179	10.80	3.8	0.90	GS59	41	536	34.80	6.0	0.85	157	154	9.10	3.8	1.00	GSF59	48	459	29.63	6.0	1.00						GSA59	53	419	26.93	6.0	1.10						GSAF59	61	365	23.33	6.0	1.15							66	344	21.67	5.2	1.20							75	302	19.06	5.0	1.25							79	287	18.00	5.0	1.30							93	244	15.33	5.0	1.35							103	221	13.93	4.9	1.40							118	196	12.07	4.9	1.50							136	170	10.50	4.8	1.55	GS59 GSF59 GSA59 GSAF59	4P																																																																																
25	675	57.00	28	1.90	GSA89									GSAF89	11	1251	130.00	6	1.00	GS79	4P	7.3	2736	196.52	33	1.45		GS99 GSF99 GSA99 GSAF99	4P	12	1188	123.20			11	1.05	GSF79	13	1053	107.83	12	1.20	GSF79	15	954	97.14	13	1.25	GSA79	17	846	85.22	13	1.30	GSAF79	19	756	75.20	13	1.35	GSAF79	4P	8.8	2277		161.74	34	1.60	GS99 GSF99 GSA99 GSAF99	4P			21	671	66.67	13	1.40	GS79	23	729	63.03	12	1.35	GSF79	25	581	56.92	12	1.50	GSF79	27	626	53.87	11	1.45	GSA79	29	572	49.38	11	1.50	GSAF79	33	504	43.33	11	1.55	GSAF79		4P	11	1881	131.85	34			1.75	GS99 GSF99 GSA99 GSAF99	4P	35	482	41.07	11	1.60	GS79	40	423	35.94	11	1.65	GSF79	44	383	32.38	10	1.75	GSF79	50	338	28.41	10	1.80	GSA79	57	297	25.07	10	1.90	GSAF79	60	279	23.87		9.0	1.95	GSAF79	4P	12			1683	116.92	34	1.80	GS89 GSF89 GSA89 GSAF89	4P	68	257	20.89	8.9	2.05	GSAF79	31	513	46.40	7.1	0.95				14	1530	105.71	35	1.90	GS89 GSF89 GSA89 GSAF89	4P	34	464	41.89	7.1	1.05		16	1305	89.60	35	2.00	39	414	36.85	7.0	1.15		18	1323	80.85	35	2.00	41	392	34.80			7.0	1.20		7.9	2430	180.00	26	1.00	GS79 GSF79 GSA79 GSAF79	4P	48	333	29.63	6.8	1.25		9.5	2070	151.30	27	1.15	53	306	26.93	6.7	1.30	GS69	10	1917	139.05	27	1.25	61	266	23.33	6.6	1.35	GSF69	12	1710	123.48	27	1.30	66	243	21.67	5.8	1.40	GSA69	13	1548	110.40	27	1.40	75	214	19.06	5.7	1.45	GSAF69	14	1395	99.26	28	1.45	79	208	18.00	5.7	1.50		17	1224	86.15	28	1.50	93	183	15.33	5.6	1.60		17	1314	81.76	28	1.40	103	165	13.93	5.5	1.65		19	1107	77.14	28	1.55	118	144	12.07	5.4	1.70		20	1134	70.43	28	1.50	136	125	10.50	5.3	1.80		22	1044	64.27	28	1.55	106			166	13.50	4.4	1.00	GS59	25	927	57.00	28	1.65	GS79 GSF79 GSA79 GSAF79	4P	124	141	11.53	4.4	1.15	GSF59	30	783	47.91	28	1.75	132	131	10.80	4.3	1.20	GSA59	32	720	44.03	28	1.80	157	112	9.10	4.2	1.40	GSAF59	37	644	39.10	28	1.90	44	527	32.38	10	1.50		41	576	34.96	28			1.95	50	464	28.41	10	1.55		17	1161	85.22	11	1.05	GS79 GSF79 GSA79 GSAF79	4P	57	410	25.07	9.3	1.65		19	1035	75.20	12	1.15	60	386	23.87	8.2	1.65		21	918	66.67	12	1.20	68	341	20.89	8.2	1.75		23	999	63.03	10	1.15	76	306	18.82	8.0	1.80		25	792	56.92	11	1.30	87	266	16.51	8.0	1.90		27	855	53.87	10	1.25	98	237	14.57	7.8	2.00		29	792	49.38	10	1.25	111	209	12.92	7.7	2.10		33	693	43.33	10	1.35	130	179	11.03	7.5	2.20		35	662			41.07	10	1.35	41	536	34.80	6.0	0.85		40	581	35.94	10	1.45	GS79 GSF79 GSA79 GSAF79	4P	48	459	29.63	6.0	1.00		44	527	32.38	10	1.50	53	419	26.93	6.0	1.10		50	464	28.41	10	1.55	61	365	23.33	6.0	1.15		57	410	25.07	9.3	1.65	66	344	21.67	5.2	1.20		60	386	23.87	8.2	1.65	75	302	19.06	5.0	1.25		68	341	20.89	8.2	1.75	79	287	18.00	5.0	1.30		76	306	18.82	8.0	1.80	93	244	15.33	5.0	1.35		87	266	16.51	8.0	1.90	103	221	13.93	4.9	1.40		98	237	14.57	7.8	2.00	118	196	12.07	4.9	1.50				111	209	12.92	7.7	2.10	136	170	10.50	4.8	1.55		130	179	11.03	7.5	2.20	GS69 GSF69 GSA69 GSAF69	4P	132	179	10.80	3.8	0.90	GS59	41	536	34.80	6.0	0.85	157	154	9.10	3.8	1.00	GSF59	48	459	29.63	6.0	1.00						GSA59	53	419	26.93	6.0	1.10						GSAF59	61	365	23.33	6.0	1.15							66	344	21.67	5.2	1.20							75	302	19.06	5.0	1.25							79	287	18.00	5.0	1.30							93	244	15.33	5.0	1.35							103	221	13.93	4.9	1.40									118	196	12.07	4.9	1.50							136	170	10.50	4.8	1.55	GS59 GSF59 GSA59 GSAF59	4P																																																												
					GSAF89		11	1251	130.00	6	1.00			GS79	4P	7.3	2736	196.52	33	1.45		GS99 GSF99 GSA99 GSAF99	4P	12	1188	123.20				11	1.05	GSF79			13	1053	107.83	12	1.20	GSF79	15	954	97.14	13	1.25	GSA79	17	846	85.22	13	1.30	GSAF79	19	756	75.20	13	1.35	GSAF79	4P	8.8	2277		161.74	34		1.60	GS99 GSF99 GSA99 GSAF99	4P					21	671	66.67	13	1.40	GS79	23	729	63.03	12	1.35	GSF79	25	581	56.92	12	1.50	GSF79	27	626	53.87	11	1.45	GSA79	29	572	49.38	11	1.50	GSAF79	33	504	43.33	11	1.55	GSAF79			4P	11	1881	131.85			34			1.75	GS99 GSF99 GSA99 GSAF99	4P	35	482	41.07	11	1.60	GS79	40	423	35.94	11	1.65	GSF79	44	383	32.38	10	1.75	GSF79	50	338	28.41	10	1.80	GSA79	57	297	25.07	10	1.90	GSAF79		60	279	23.87		9.0			1.95	GSAF79	4P	12			1683	116.92	34	1.80	GS89 GSF89 GSA89 GSAF89	4P	68	257	20.89	8.9	2.05			GSAF79	31	513	46.40	7.1	0.95				14	1530	105.71	35	1.90	GS89 GSF89 GSA89 GSAF89	4P	34	464	41.89	7.1	1.05		16	1305	89.60	35	2.00	39	414	36.85	7.0	1.15				18	1323	80.85	35	2.00	41	392	34.80			7.0	1.20		7.9	2430	180.00	26	1.00	GS79 GSF79 GSA79 GSAF79	4P	48	333	29.63	6.8	1.25		9.5	2070	151.30	27	1.15	53	306	26.93	6.7	1.30	GS69	10	1917	139.05	27	1.25	61	266	23.33	6.6	1.35	GSF69	12	1710	123.48	27	1.30	66	243	21.67	5.8	1.40	GSA69	13	1548	110.40	27	1.40	75	214	19.06	5.7	1.45	GSAF69	14	1395	99.26	28	1.45	79	208	18.00	5.7	1.50		17	1224	86.15	28	1.50	93	183	15.33	5.6	1.60		17	1314	81.76	28	1.40	103	165	13.93	5.5	1.65		19	1107	77.14	28	1.55	118	144	12.07	5.4	1.70		20	1134	70.43	28	1.50	136	125			10.50	5.3	1.80		22	1044	64.27	28	1.55	106			166	13.50	4.4	1.00	GS59	25	927	57.00	28	1.65	GS79 GSF79 GSA79 GSAF79	4P	124	141	11.53	4.4	1.15	GSF59	30	783	47.91	28	1.75	132	131	10.80	4.3	1.20	GSA59	32	720	44.03	28	1.80	157	112	9.10	4.2	1.40	GSAF59	37	644	39.10			28	1.90	44	527	32.38	10	1.50		41	576	34.96	28			1.95	50	464	28.41	10	1.55		17	1161	85.22	11	1.05	GS79 GSF79 GSA79 GSAF79	4P	57	410	25.07	9.3	1.65		19	1035	75.20	12	1.15	60	386	23.87	8.2	1.65		21	918	66.67	12	1.20	68	341	20.89	8.2	1.75		23	999	63.03	10	1.15	76	306	18.82	8.0	1.80		25	792	56.92	11	1.30	87	266	16.51	8.0	1.90		27	855	53.87	10	1.25	98	237	14.57	7.8	2.00		29	792	49.38	10	1.25	111	209	12.92	7.7	2.10				33	693	43.33	10	1.35	130	179	11.03	7.5	2.20		35	662			41.07	10	1.35	41	536	34.80	6.0	0.85		40	581	35.94	10	1.45	GS79 GSF79 GSA79 GSAF79	4P	48	459	29.63	6.0	1.00		44	527	32.38	10	1.50	53	419	26.93	6.0	1.10		50	464	28.41	10	1.55	61	365	23.33	6.0	1.15		57	410	25.07	9.3	1.65	66	344	21.67	5.2	1.20		60	386	23.87	8.2	1.65	75	302	19.06	5.0	1.25		68	341	20.89	8.2	1.75	79	287	18.00	5.0	1.30		76	306	18.82	8.0	1.80	93	244	15.33	5.0	1.35		87	266	16.51	8.0	1.90	103			221	13.93	4.9	1.40		98	237	14.57	7.8	2.00	118	196	12.07	4.9	1.50				111	209	12.92	7.7	2.10	136	170	10.50	4.8	1.55		130	179	11.03	7.5	2.20	GS69 GSF69 GSA69 GSAF69	4P	132	179	10.80	3.8	0.90	GS59	41	536	34.80	6.0	0.85	157	154	9.10	3.8	1.00	GSF59	48	459	29.63	6.0	1.00						GSA59	53	419	26.93	6.0	1.10						GSAF59	61	365	23.33	6.0	1.15							66	344	21.67	5.2	1.20							75	302	19.06	5.0	1.25							79	287	18.00	5.0	1.30							93	244			15.33	5.0	1.35							103	221	13.93	4.9	1.40									118	196	12.07	4.9	1.50							136	170	10.50	4.8	1.55	GS59 GSF59 GSA59 GSAF59	4P																																								
11	1251	130.00	6	1.00	GS79	4P	7.3	2736	196.52	33	1.45	GS99 GSF99 GSA99 GSAF99	4P																																																																																																																																																																																																																																																																																																																																																																																																																																																																																																																																																																																																																																																																																																																																																																																																																													
12	1188	123.20	11	1.05	GSF79		13	1053	107.83	12	1.20			GSF79		15	954	97.14	13	1.25				GSA79	17	846				85.22	13	1.30			GSAF79	19	756	75.20	13	1.35	GSAF79	4P	8.8	2277	161.74	34	1.60	GS99 GSF99 GSA99 GSAF99	4P	21	671	66.67	13	1.40	GS79	23	729	63.03		12	1.35		GSF79	25		581							56.92	12	1.50	GSF79	27	626	53.87	11	1.45	GSA79	29	572	49.38	11	1.50	GSAF79	33	504	43.33	11	1.55	GSAF79	4P	11	1881	131.85	34	1.75	GS99 GSF99 GSA99 GSAF99	4P	35	482	41.07	11	1.60	GS79				40	423	35.94			11			1.65			GSF79	44	383	32.38	10	1.75	GSF79	50	338	28.41	10	1.80	GSA79	57	297	25.07	10	1.90	GSAF79	60	279	23.87	9.0	1.95	GSAF79	4P	12	1683	116.92	34		1.80	GS89 GSF89 GSA89 GSAF89	4P		68			257	20.89		8.9			2.05	GSAF79	31	513			46.40	7.1	0.95		14			1530	105.71	35	1.90	GS89 GSF89 GSA89 GSAF89	4P			34	464	41.89	7.1	1.05				16	1305	89.60	35	2.00	39	414	36.85	7.0	1.15		18	1323	80.85	35	2.00	41			392	34.80	7.0	1.20		7.9	2430	180.00			26	1.00	GS79 GSF79 GSA79 GSAF79	4P	48	333	29.63	6.8			1.25		9.5	2070	151.30	27	1.15	53	306	26.93	6.7	1.30	GS69	10	1917	139.05	27	1.25	61	266	23.33	6.6	1.35	GSF69	12	1710	123.48	27	1.30	66	243	21.67	5.8	1.40	GSA69	13	1548	110.40	27	1.40	75	214	19.06	5.7	1.45	GSAF69	14	1395	99.26	28	1.45	79	208	18.00	5.7	1.50		17	1224	86.15	28	1.50	93	183	15.33	5.6	1.60		17	1314	81.76	28	1.40	103	165	13.93	5.5	1.65		19	1107	77.14	28	1.55	118	144	12.07	5.4	1.70		20	1134	70.43	28	1.50	136	125	10.50	5.3	1.80				22	1044	64.27	28	1.55	106	166	13.50	4.4	1.00			GS59	25	927	57.00	28	1.65	GS79 GSF79 GSA79 GSAF79	4P	124	141			11.53	4.4	1.15	GSF59	30	783	47.91	28	1.75	132	131	10.80	4.3	1.20	GSA59	32	720	44.03	28	1.80	157	112	9.10	4.2	1.40	GSAF59	37	644	39.10	28	1.90			44	527	32.38	10	1.50		41	576	34.96	28	1.95	50			464	28.41	10	1.55		17	1161	85.22	11	1.05	GS79 GSF79 GSA79 GSAF79	4P			57	410	25.07	9.3	1.65		19	1035	75.20	12	1.15	60	386	23.87	8.2	1.65		21	918	66.67	12	1.20	68	341	20.89	8.2	1.75		23	999	63.03	10	1.15	76	306	18.82	8.0	1.80		25	792	56.92	11	1.30	87	266	16.51	8.0	1.90		27	855	53.87	10	1.25	98	237	14.57	7.8	2.00		29	792	49.38	10	1.25	111	209	12.92	7.7	2.10				33	693	43.33	10	1.35	130	179	11.03	7.5	2.20		35	662			41.07	10	1.35	41	536	34.80	6.0	0.85		40	581	35.94	10	1.45			GS79 GSF79 GSA79 GSAF79	4P	48	459	29.63	6.0	1.00		44	527	32.38	10	1.50	53	419	26.93	6.0	1.10		50	464	28.41	10	1.55	61	365	23.33	6.0	1.15		57	410	25.07	9.3	1.65	66	344	21.67	5.2	1.20		60	386	23.87	8.2	1.65	75	302	19.06	5.0	1.25		68	341	20.89	8.2	1.75	79	287	18.00	5.0	1.30		76	306	18.82	8.0	1.80	93	244	15.33	5.0	1.35		87	266	16.51	8.0			1.90	103	221	13.93	4.9	1.40		98	237	14.57	7.8	2.00	118	196	12.07	4.9			1.50		111	209	12.92	7.7	2.10	136	170	10.50	4.8	1.55		130	179	11.03			7.5	2.20	GS69 GSF69 GSA69 GSAF69	4P	132	179	10.80	3.8	0.90	GS59	41	536	34.80	6.0	0.85	157	154	9.10	3.8	1.00	GSF59	48	459	29.63	6.0	1.00						GSA59	53	419	26.93	6.0	1.10						GSAF59	61	365	23.33	6.0	1.15							66	344	21.67	5.2	1.20							75	302	19.06	5.0	1.25							79	287	18.00	5.0	1.30							93	244	15.33	5.0	1.35							103	221	13.93	4.9	1.40							118	196	12.07	4.9	1.50							136	170	10.50	4.8	1.55			GS59 GSF59 GSA59 GSAF59	4P																																						
13	1053	107.83	12	1.20	GSF79		15	954	97.14	13	1.25			GSA79		17	846	85.22	13	1.30				GSAF79	19	756	75.20			13	1.35	GSAF79	4P	8.8	2277	161.74	34	1.60	GS99 GSF99 GSA99 GSAF99	4P	21		671	66.67	13	1.40	GS79			23	729	63.03	12	1.35	GSF79	25	581	56.92		12	1.50		GSF79	27		626							53.87	11	1.45	GSA79	29	572	49.38	11	1.50	GSAF79	33	504	43.33	11	1.55	GSAF79	4P	11	1881	131.85	34	1.75		GS99 GSF99 GSA99 GSAF99	4P	35	482	41.07			11	1.60	GS79	40	423	35.94				11	1.65	GSF79			44			383			32.38	10	1.75	GSF79	50	338	28.41	10	1.80	GSA79	57	297	25.07	10	1.90	GSAF79	60	279	23.87	9.0	1.95	GSAF79	4P	12	1683		116.92	34	1.80	GS89 GSF89 GSA89 GSAF89		4P				68			257	20.89		8.9			2.05	GSAF79	31	513			46.40	7.1	0.95		14			1530	105.71	35	1.90					GS89 GSF89 GSA89 GSAF89	4P	34	464	41.89	7.1			1.05		16	1305	89.60	35	2.00	39	414	36.85	7.0	1.15		18	1323	80.85	35			2.00	41	392	34.80	7.0	1.20		7.9			2430	180.00			26	1.00	GS79 GSF79 GSA79 GSAF79	4P			48	333	29.63	6.8	1.25		9.5	2070	151.30	27	1.15	53	306	26.93	6.7	1.30	GS69	10	1917	139.05	27	1.25	61	266	23.33	6.6	1.35	GSF69	12	1710	123.48	27	1.30	66	243	21.67	5.8	1.40	GSA69	13	1548	110.40	27	1.40	75	214	19.06	5.7	1.45	GSAF69	14	1395	99.26	28	1.45	79	208	18.00	5.7	1.50		17	1224	86.15	28	1.50	93	183	15.33	5.6	1.60		17	1314	81.76	28	1.40	103	165	13.93	5.5	1.65		19	1107	77.14	28	1.55	118	144	12.07	5.4	1.70		20	1134	70.43	28	1.50	136	125			10.50	5.3	1.80		22	1044	64.27	28	1.55	106			166	13.50	4.4	1.00	GS59	25			927	57.00			28	1.65	GS79 GSF79 GSA79 GSAF79	4P	124	141	11.53	4.4	1.15	GSF59	30	783	47.91	28	1.75	132	131	10.80	4.3	1.20	GSA59	32	720	44.03	28	1.80	157	112	9.10	4.2	1.40			GSAF59	37	644	39.10	28	1.90	44	527	32.38	10	1.50				41	576	34.96	28	1.95	50	464	28.41	10	1.55						17	1161	85.22	11	1.05	GS79 GSF79 GSA79 GSAF79	4P	57	410	25.07	9.3	1.65		19	1035	75.20	12	1.15	60	386	23.87	8.2	1.65		21	918	66.67	12	1.20	68	341	20.89	8.2	1.75		23	999	63.03	10	1.15	76	306	18.82	8.0	1.80		25	792	56.92	11	1.30	87	266	16.51	8.0	1.90		27	855	53.87	10	1.25	98	237	14.57	7.8	2.00		29	792			49.38	10	1.25	111	209	12.92	7.7	2.10		33	693	43.33	10	1.35			130	179	11.03	7.5	2.20		35	662	41.07	10	1.35	41	536	34.80					6.0	0.85		40	581	35.94	10	1.45	GS79 GSF79 GSA79 GSAF79	4P	48	459	29.63	6.0	1.00		44	527	32.38	10	1.50	53	419	26.93	6.0	1.10		50	464	28.41	10	1.55	61	365	23.33	6.0	1.15		57	410	25.07	9.3	1.65	66	344	21.67	5.2	1.20		60	386	23.87	8.2	1.65	75	302	19.06	5.0	1.25		68	341	20.89	8.2	1.75	79	287	18.00	5.0	1.30		76	306	18.82	8.0	1.80			93	244	15.33	5.0	1.35		87	266	16.51	8.0	1.90	103	221	13.93	4.9	1.40				98	237	14.57	7.8	2.00	118	196	12.07	4.9	1.50		111	209	12.92	7.7			2.10	136			170	10.50	4.8	1.55		130	179	11.03	7.5	2.20	GS69 GSF69 GSA69 GSAF69	4P	132	179	10.80	3.8	0.90	GS59	41	536	34.80	6.0	0.85	157	154	9.10	3.8	1.00	GSF59	48	459	29.63	6.0	1.00						GSA59	53	419	26.93	6.0	1.10						GSAF59	61	365	23.33	6.0	1.15							66	344	21.67	5.2	1.20							75	302	19.06	5.0	1.25							79	287	18.00	5.0	1.30							93	244	15.33	5.0	1.35							103	221	13.93	4.9	1.40							118	196	12.07	4.9	1.50									136	170	10.50	4.8	1.55	GS59 GSF59 GSA59 GSAF59	4P																										
15	954	97.14	13	1.25	GSA79		17	846	85.22	13	1.30			GSAF79		19	756	75.20	13	1.35	GSAF79			4P	8.8	2277	161.74	34	1.60	GS99 GSF99 GSA99 GSAF99	4P	21		671	66.67	13	1.40	GS79			23		729	63.03	12	1.35	GSF79			25	581	56.92	12	1.50	GSF79	27	626	53.87		11	1.45		GSA79	29	572	49.38					11	1.50	GSAF79	33	504	43.33	11	1.55	GSAF79	4P	11	1881	131.85	34	1.75	GS99 GSF99 GSA99 GSAF99	4P	35		482	41.07	11	1.60	GS79				40	423	35.94			11	1.65	GSF79	44	383	32.38				10	1.75	GSF79			50			338			28.41	10	1.80	GSA79	57	297	25.07	10	1.90	GSAF79	60	279	23.87	9.0	1.95	GSAF79	4P	12	1683	116.92	34	1.80		GS89 GSF89 GSA89 GSAF89	4P		68	257	20.89							8.9			2.05	GSAF79		31			513	46.40	7.1	0.95				14	1530	105.71	35			1.90	GS89 GSF89 GSA89 GSAF89	4P	34							464	41.89	7.1	1.05				16	1305	89.60	35	2.00	39	414	36.85	7.0	1.15		18	1323	80.85	35	2.00			41	392	34.80	7.0	1.20		7.9	2430			180.00	26			1.00	GS79 GSF79 GSA79 GSAF79					4P	48	333	29.63	6.8	1.25		9.5	2070	151.30	27	1.15	53	306	26.93	6.7	1.30	GS69	10	1917	139.05	27	1.25	61	266	23.33	6.6	1.35	GSF69	12	1710	123.48	27	1.30	66	243	21.67	5.8	1.40	GSA69	13	1548	110.40	27	1.40	75	214	19.06	5.7	1.45	GSAF69	14	1395	99.26	28	1.45	79	208	18.00	5.7	1.50		17	1224	86.15	28	1.50	93	183	15.33	5.6	1.60		17	1314	81.76	28	1.40	103	165	13.93	5.5	1.65		19	1107	77.14	28	1.55	118	144	12.07	5.4	1.70		20	1134	70.43	28	1.50	136			125	10.50	5.3	1.80		22	1044	64.27	28	1.55			106	166	13.50	4.4	1.00	GS59			25	927			57.00	28			1.65	GS79 GSF79 GSA79 GSAF79	4P	124	141	11.53	4.4	1.15	GSF59	30	783	47.91	28	1.75	132	131	10.80	4.3	1.20	GSA59	32	720	44.03	28	1.80	157	112			9.10	4.2	1.40	GSAF59	37	644	39.10	28	1.90	44	527	32.38			10	1.50		41	576	34.96	28	1.95	50	464					28.41	10	1.55		17	1161			85.22	11	1.05	GS79 GSF79 GSA79 GSAF79	4P	57	410	25.07	9.3	1.65		19	1035	75.20	12	1.15	60	386	23.87	8.2	1.65		21	918	66.67	12	1.20	68	341	20.89	8.2	1.75		23	999	63.03	10	1.15	76	306	18.82	8.0	1.80		25	792	56.92	11	1.30	87	266	16.51	8.0	1.90		27	855	53.87	10	1.25	98	237	14.57			7.8	2.00		29	792	49.38	10	1.25	111	209	12.92	7.7	2.10				33	693	43.33	10	1.35	130	179	11.03	7.5	2.20		35	662	41.07					10	1.35	41	536	34.80	6.0	0.85				40	581	35.94	10	1.45	GS79 GSF79 GSA79 GSAF79	4P	48	459	29.63	6.0	1.00		44	527	32.38	10	1.50	53	419	26.93	6.0	1.10		50	464	28.41	10	1.55	61	365	23.33	6.0	1.15		57	410	25.07	9.3	1.65	66	344	21.67	5.2	1.20		60	386	23.87	8.2	1.65	75	302	19.06	5.0	1.25		68	341	20.89	8.2	1.75	79	287	18.00	5.0			1.30		76	306	18.82	8.0	1.80	93	244	15.33	5.0	1.35		87	266	16.51			8.0	1.90	103	221	13.93	4.9	1.40		98	237	14.57	7.8	2.00	118	196	12.07			4.9	1.50				111	209	12.92	7.7	2.10	136	170	10.50	4.8			1.55		130	179	11.03	7.5	2.20	GS69 GSF69 GSA69 GSAF69	4P	132	179	10.80	3.8	0.90	GS59	41	536	34.80	6.0	0.85	157	154	9.10	3.8	1.00	GSF59	48	459	29.63	6.0	1.00						GSA59	53	419	26.93	6.0	1.10						GSAF59	61	365	23.33	6.0	1.15							66	344	21.67	5.2	1.20							75	302	19.06	5.0	1.25							79	287	18.00	5.0	1.30							93	244	15.33	5.0	1.35							103	221	13.93	4.9	1.40									118	196	12.07	4.9	1.50									136	170	10.50	4.8	1.55	GS59 GSF59 GSA59 GSAF59	4P															
17	846	85.22	13	1.30	GSAF79		19	756	75.20	13	1.35			GSAF79	4P	8.8	2277	161.74	34	1.60	GS99 GSF99 GSA99 GSAF99	4P	21		671	66.67	13	1.40	GS79			23		729	63.03	12	1.35	GSF79			25		581	56.92	12	1.50	GSF79			27	626	53.87	11	1.45	GSA79	29	572	49.38		11	1.50	GSAF79	33	504	43.33	11			1.55	GSAF79	4P	11	1881	131.85	34	1.75	GS99 GSF99 GSA99 GSAF99	4P	35		482	41.07	11	1.60	GS79			40		423	35.94	11	1.65	GSF79				44	383	32.38			10	1.75	GSF79	50	338	28.41	10			1.80	GSA79	57	297	25.07	10			1.90			GSAF79	60	279	23.87	9.0	1.95	GSAF79	4P	12	1683	116.92	34	1.80	GS89 GSF89 GSA89 GSAF89	4P	68		257	20.89	8.9	2.05	GSAF79					31	513	46.40							7.1			0.95			14			1530	105.71	35	1.90			GS89 GSF89 GSA89 GSAF89	4P	34	464	41.89			7.1			1.05								16	1305	89.60			35	2.00	39	414	36.85	7.0	1.15		18	1323	80.85	35	2.00	41	392	34.80	7.0			1.20		7.9	2430	180.00	26	1.00	GS79 GSF79 GSA79 GSAF79			4P	48			333							29.63	6.8	1.25		9.5	2070	151.30	27	1.15	53	306	26.93	6.7	1.30	GS69	10	1917	139.05	27	1.25	61	266	23.33	6.6	1.35	GSF69	12	1710	123.48	27	1.30	66	243	21.67	5.8	1.40	GSA69	13	1548	110.40	27	1.40	75	214	19.06	5.7	1.45	GSAF69	14	1395	99.26	28	1.45	79	208	18.00	5.7	1.50		17	1224	86.15	28	1.50	93	183	15.33	5.6	1.60		17	1314	81.76	28	1.40	103	165	13.93	5.5	1.65		19	1107	77.14	28	1.55	118	144	12.07	5.4	1.70		20	1134	70.43	28	1.50	136	125	10.50			5.3	1.80		22	1044	64.27	28	1.55	106	166			13.50	4.4	1.00	GS59	25	927			57.00	28			1.65	GS79 GSF79 GSA79 GSAF79			4P			124	141	11.53	4.4	1.15	GSF59	30	783	47.91	28	1.75	132	131	10.80	4.3	1.20	GSA59	32	720	44.03	28	1.80	157	112			9.10	4.2	1.40	GSAF59	37	644	39.10	28	1.90	44	527	32.38			10	1.50		41	576	34.96	28	1.95	50	464					28.41	10	1.55		17	1161			85.22	11	1.05			GS79 GSF79 GSA79 GSAF79	4P	57	410	25.07	9.3	1.65		19	1035	75.20	12	1.15	60	386	23.87	8.2	1.65		21	918	66.67	12	1.20	68	341	20.89	8.2	1.75		23	999	63.03	10	1.15	76	306	18.82	8.0	1.80		25	792	56.92	11	1.30	87	266	16.51	8.0	1.90		27	855	53.87	10	1.25	98			237	14.57	7.8	2.00		29	792	49.38	10	1.25	111	209	12.92	7.7			2.10		33	693	43.33	10	1.35	130	179	11.03	7.5	2.20		35					662	41.07	10	1.35	41	536	34.80	6.0			0.85		40	581	35.94			10	1.45	GS79 GSF79 GSA79 GSAF79	4P	48	459	29.63	6.0	1.00		44	527	32.38	10	1.50	53	419	26.93	6.0	1.10		50	464	28.41	10	1.55	61	365	23.33	6.0	1.15		57	410	25.07	9.3	1.65	66	344	21.67	5.2	1.20		60	386	23.87	8.2	1.65	75	302	19.06	5.0	1.25		68	341	20.89	8.2	1.75			79	287	18.00	5.0	1.30		76	306	18.82	8.0	1.80	93	244	15.33	5.0	1.35				87	266	16.51	8.0	1.90	103	221	13.93	4.9	1.40		98	237	14.57	7.8			2.00	118			196	12.07	4.9	1.50		111	209	12.92	7.7	2.10			136	170	10.50	4.8	1.55		130			179	11.03	7.5	2.20	GS69 GSF69 GSA69 GSAF69	4P	132	179	10.80	3.8	0.90	GS59	41	536	34.80	6.0	0.85	157	154	9.10	3.8	1.00	GSF59	48	459	29.63	6.0	1.00						GSA59	53	419	26.93	6.0	1.10						GSAF59	61	365	23.33	6.0	1.15							66	344	21.67	5.2	1.20							75	302	19.06	5.0	1.25							79	287	18.00	5.0	1.30							93	244	15.33	5.0	1.35							103	221	13.93	4.9	1.40							118	196	12.07			4.9	1.50							136			170	10.50	4.8	1.55	GS59 GSF59 GSA59 GSAF59	4P									
19	756	75.20	13	1.35	GSAF79	4P	8.8	2277	161.74	34	1.60	GS99 GSF99 GSA99 GSAF99	4P																																																																																																																																																																																																																																																																																																																																																																																																																																																																																																																																																																																																																																																																																																																																																																																																																													
21	671	66.67	13	1.40	GS79		23	729	63.03	12	1.35			GSF79		25	581	56.92	12	1.50			GSF79		27	626	53.87	11	1.45			GSA79		29	572	49.38	11	1.50			GSAF79		33	504	43.33	11	1.55			GSAF79	4P	11	1881	131.85	34	1.75	GS99 GSF99 GSA99 GSAF99	4P	35	482	41.07	11	1.60	GS79	40	423	35.94	11	1.65	GSF79		44	383	32.38	10	1.75			GSF79		50	338	28.41	10	1.80			GSA79		57	297	25.07	10	1.90				GSAF79	60	279			23.87	9.0	1.95	GSAF79	4P	12	1683	116.92	34	1.80	GS89 GSF89 GSA89 GSAF89	4P	68	257	20.89	8.9	2.05	GSAF79	31	513	46.40	7.1	0.95		14	1530	105.71		35	1.90	GS89 GSF89 GSA89 GSAF89	4P	34			464		41.89	7.1	1.05		16					1305	89.60	35		2.00				39	414	36.85	7.0	1.15			18	1323	80.85	35	2.00	41	392					34.80	7.0	1.20		7.9	2430			180.00			26	1.00			GS79 GSF79 GSA79 GSAF79	4P	48	333			29.63	6.8	1.25		9.5	2070	151.30	27	1.15	53	306	26.93	6.7	1.30	GS69	10	1917	139.05	27	1.25	61	266	23.33	6.6	1.35	GSF69		12	1710		123.48			27							1.30	66	243	21.67	5.8	1.40	GSA69	13	1548	110.40	27	1.40	75	214	19.06	5.7	1.45	GSAF69	14	1395	99.26	28	1.45	79	208	18.00	5.7	1.50		17	1224	86.15	28	1.50	93	183	15.33	5.6	1.60		17	1314	81.76	28	1.40	103	165	13.93	5.5	1.65		19	1107	77.14	28	1.55	118	144	12.07	5.4	1.70		20	1134	70.43	28	1.50	136	125	10.50	5.3	1.80		22	1044	64.27	28	1.55	106	166	13.50	4.4	1.00	GS59	25	927	57.00	28	1.65	GS79 GSF79 GSA79 GSAF79	4P	124	141	11.53	4.4	1.15	GSF59	30	783	47.91	28	1.75	132	131	10.80	4.3	1.20	GSA59	32	720	44.03	28	1.80	157	112	9.10	4.2	1.40	GSAF59	37			644	39.10			28							1.90	44	527	32.38	10	1.50		41	576	34.96	28	1.95	50	464	28.41	10	1.55		17	1161	85.22	11	1.05	GS79 GSF79 GSA79 GSAF79	4P	57	410	25.07	9.3	1.65		19	1035	75.20	12	1.15	60	386	23.87	8.2	1.65		21	918	66.67	12	1.20	68	341	20.89					8.2	1.75		23	999	63.03			10	1.15	76					306	18.82	8.0	1.80		25	792	56.92	11	1.30	87	266	16.51	8.0	1.90		27	855	53.87	10	1.25	98	237	14.57	7.8	2.00		29	792	49.38	10	1.25	111	209	12.92	7.7	2.10		33	693	43.33	10	1.35	130	179	11.03	7.5	2.20		35	662	41.07	10	1.35	41	536	34.80	6.0	0.85		40	581	35.94	10	1.45	GS79 GSF79 GSA79 GSAF79	4P	48	459	29.63	6.0	1.00		44	527	32.38	10	1.50	53	419	26.93	6.0	1.10		50	464	28.41	10					1.55	61	365	23.33	6.0	1.15		57			410	25.07	9.3	1.65	66			344	21.67			5.2	1.20		60	386	23.87	8.2	1.65	75	302	19.06	5.0	1.25		68	341	20.89	8.2	1.75	79	287	18.00	5.0	1.30		76	306	18.82	8.0	1.80	93	244	15.33	5.0	1.35		87	266	16.51	8.0	1.90	103	221	13.93	4.9	1.40		98	237	14.57	7.8	2.00	118	196	12.07	4.9	1.50		111	209	12.92	7.7	2.10	136	170	10.50	4.8	1.55		130	179	11.03	7.5	2.20	GS69 GSF69 GSA69 GSAF69	4P	132	179	10.80	3.8	0.90	GS59	41	536	34.80	6.0	0.85	157	154	9.10	3.8			1.00	GSF59			48	459	29.63	6.0	1.00								GSA59	53	419	26.93	6.0	1.10										GSAF59	61	365	23.33	6.0	1.15							66	344	21.67	5.2	1.20							75	302	19.06	5.0	1.25							79	287	18.00	5.0	1.30							93	244	15.33	5.0	1.35							103	221	13.93	4.9	1.40							118	196	12.07	4.9	1.50							136	170	10.50	4.8	1.55	GS59 GSF59 GSA59 GSAF59	4P																																																			
23	729	63.03	12	1.35	GSF79		25	581	56.92	12	1.50			GSF79		27	626	53.87	11	1.45			GSA79		29	572	49.38	11	1.50			GSAF79		33	504	43.33	11	1.55			GSAF79	4P	11	1881	131.85	34	1.75	GS99 GSF99 GSA99 GSAF99	4P	35		482	41.07	11	1.60	GS79			40	423	35.94	11	1.65	GSF79	44	383	32.38	10	1.75	GSF79		50	338	28.41	10	1.80			GSA79		57	297	25.07	10	1.90			GSAF79		60	279	23.87	9.0	1.95				GSAF79	4P	12			1683	116.92	34	1.80		GS89 GSF89 GSA89 GSAF89	4P	68	257	20.89			8.9	2.05	GSAF79	31	513	46.40	7.1	0.95		14	1530	105.71	35	1.90	GS89 GSF89 GSA89 GSAF89		4P	34			464			41.89		7.1	1.05		16	1305					89.60	35	2.00		39				414	36.85	7.0	1.15		18	1323	80.85	35	2.00	41	392	34.80	7.0	1.20				7.9	2430	180.00	26	1.00	GS79 GSF79 GSA79 GSAF79			4P			48	333					29.63	6.8	1.25		9.5	2070	151.30	27	1.15	53	306	26.93	6.7	1.30	GS69	10	1917	139.05	27	1.25	61	266	23.33	6.6	1.35	GSF69	12	1710	123.48	27		1.30	66		243			21.67				5.8	1.40		GSA69	13	1548	110.40	27	1.40	75	214	19.06	5.7	1.45	GSAF69	14	1395	99.26	28	1.45	79	208	18.00	5.7	1.50		17	1224	86.15	28	1.50	93	183	15.33	5.6	1.60		17	1314	81.76	28	1.40	103	165	13.93	5.5	1.65		19	1107	77.14	28	1.55	118	144	12.07	5.4	1.70		20	1134	70.43	28	1.50	136	125	10.50	5.3	1.80		22	1044	64.27	28	1.55	106	166	13.50	4.4	1.00	GS59	25	927	57.00	28	1.65	GS79 GSF79 GSA79 GSAF79	4P	124	141	11.53	4.4			1.15	GSF59	30	783	47.91	28	1.75	132	131	10.80	4.3	1.20	GSA59	32	720	44.03	28	1.80	157	112	9.10	4.2	1.40	GSAF59	37	644	39.10	28	1.90			44	527	32.38	10	1.50								41	576	34.96	28	1.95	50	464	28.41	10	1.55		17	1161	85.22	11	1.05	GS79 GSF79 GSA79 GSAF79	4P	57	410	25.07	9.3			1.65		19	1035	75.20	12	1.15	60	386	23.87	8.2	1.65		21	918	66.67	12	1.20	68	341	20.89	8.2	1.75		23			999	63.03	10	1.15	76	306	18.82	8.0			1.80		25					792	56.92	11	1.30	87	266	16.51	8.0	1.90		27	855	53.87	10	1.25	98	237	14.57	7.8	2.00		29	792	49.38	10	1.25	111	209	12.92	7.7	2.10		33	693	43.33	10	1.35	130	179	11.03	7.5	2.20		35	662	41.07	10	1.35	41	536	34.80	6.0	0.85		40	581	35.94	10	1.45	GS79 GSF79 GSA79 GSAF79	4P	48	459	29.63	6.0			1.00		44	527	32.38	10	1.50	53	419	26.93	6.0	1.10		50	464	28.41	10	1.55	61	365	23.33	6.0	1.15				57	410	25.07	9.3	1.65	66	344			21.67	5.2	1.20		60			386	23.87			8.2	1.65	75	302	19.06	5.0	1.25		68	341	20.89	8.2	1.75	79	287	18.00	5.0	1.30		76	306	18.82	8.0	1.80	93	244	15.33	5.0	1.35		87	266	16.51	8.0	1.90	103	221	13.93	4.9	1.40		98	237	14.57	7.8	2.00	118	196	12.07	4.9	1.50		111	209	12.92	7.7	2.10	136	170	10.50	4.8	1.55		130	179	11.03	7.5	2.20	GS69 GSF69 GSA69 GSAF69	4P	132	179	10.80	3.8			0.90	GS59	41	536	34.80	6.0	0.85	157	154	9.10	3.8	1.00	GSF59	48	459	29.63	6.0	1.00								GSA59	53	419	26.93	6.0	1.10								GSAF59	61			365	23.33	6.0	1.15									66	344	21.67	5.2	1.20							75	302	19.06	5.0	1.25							79	287	18.00	5.0	1.30							93	244	15.33	5.0	1.35							103	221	13.93	4.9	1.40							118	196	12.07	4.9	1.50							136	170	10.50	4.8	1.55	GS59 GSF59 GSA59 GSAF59	4P																																																									
25	581	56.92	12	1.50	GSF79		27	626	53.87	11	1.45			GSA79		29	572	49.38	11	1.50			GSAF79		33	504	43.33	11	1.55			GSAF79	4P	11	1881	131.85	34	1.75	GS99 GSF99 GSA99 GSAF99	4P	35		482	41.07	11	1.60	GS79			40		423	35.94	11	1.65	GSF79			44	383	32.38	10	1.75	GSF79	50	338	28.41	10	1.80	GSA79		57	297	25.07	10	1.90			GSAF79		60	279	23.87	9.0	1.95			GSAF79		4P	12	1683	116.92	34	1.80			GS89 GSF89 GSA89 GSAF89		4P	68	257	20.89	8.9	2.05	GSAF79				31	513	46.40			7.1	0.95		14	1530	105.71	35	1.90	GS89 GSF89 GSA89 GSAF89	4P	34	464	41.89	7.1				1.05						16		1305	89.60	35	2.00	39					414	36.85	7.0		1.15					18	1323	80.85	35	2.00	41	392	34.80	7.0	1.20		7.9	2430	180.00	26			1.00	GS79 GSF79 GSA79 GSAF79	4P	48	333							29.63	6.8					1.25		9.5	2070	151.30	27	1.15	53	306	26.93	6.7	1.30	GS69	10	1917	139.05	27	1.25	61	266	23.33	6.6	1.35	GSF69	12	1710	123.48	27	1.30	66		243	21.67		5.8			1.40				GSA69	13		1548	110.40	27	1.40	75	214	19.06	5.7	1.45	GSAF69	14	1395	99.26	28	1.45	79	208	18.00	5.7	1.50		17	1224	86.15	28	1.50	93	183	15.33	5.6	1.60		17	1314	81.76	28	1.40	103	165	13.93	5.5	1.65		19	1107	77.14	28	1.55	118	144	12.07	5.4	1.70		20	1134	70.43	28	1.50	136	125	10.50	5.3	1.80		22	1044	64.27	28	1.55	106	166	13.50	4.4	1.00	GS59	25	927	57.00	28	1.65	GS79 GSF79 GSA79 GSAF79	4P			124	141	11.53	4.4			1.15	GSF59	30	783	47.91	28	1.75	132	131	10.80	4.3	1.20	GSA59	32	720	44.03	28	1.80	157	112	9.10	4.2	1.40	GSAF59	37	644	39.10	28	1.90			44	527	32.38	10	1.50								41	576	34.96	28	1.95	50	464	28.41	10	1.55		17	1161	85.22	11	1.05			GS79 GSF79 GSA79 GSAF79	4P	57	410			25.07	9.3	1.65		19	1035	75.20	12	1.15	60	386	23.87	8.2	1.65		21	918	66.67	12	1.20	68	341	20.89	8.2	1.75				23	999	63.03	10	1.15	76	306			18.82	8.0	1.80						25	792	56.92	11	1.30	87	266	16.51	8.0	1.90		27	855	53.87	10	1.25	98	237	14.57	7.8	2.00		29	792	49.38	10	1.25	111	209	12.92	7.7	2.10		33	693	43.33	10	1.35	130	179	11.03	7.5	2.20		35	662	41.07	10	1.35	41	536	34.80	6.0	0.85		40	581	35.94			10	1.45	GS79 GSF79 GSA79 GSAF79	4P			48	459	29.63	6.0	1.00		44	527	32.38	10	1.50	53	419	26.93	6.0	1.10		50	464	28.41	10	1.55	61			365	23.33	6.0	1.15		57	410	25.07			9.3	1.65	66	344	21.67			5.2	1.20				60	386	23.87	8.2	1.65	75	302	19.06	5.0	1.25		68	341	20.89	8.2	1.75	79	287	18.00	5.0	1.30		76	306	18.82	8.0	1.80	93	244	15.33	5.0	1.35		87	266	16.51	8.0	1.90	103	221	13.93	4.9	1.40		98	237	14.57	7.8	2.00	118	196	12.07	4.9	1.50		111	209	12.92	7.7	2.10	136	170	10.50	4.8	1.55		130			179	11.03	7.5	2.20			GS69 GSF69 GSA69 GSAF69	4P	132	179	10.80	3.8	0.90	GS59	41	536	34.80	6.0	0.85	157	154	9.10	3.8	1.00	GSF59			48	459	29.63	6.0	1.00								GSA59	53	419	26.93	6.0	1.10										GSAF59	61	365	23.33	6.0	1.15							66	344	21.67	5.2	1.20							75	302	19.06	5.0	1.25							79	287	18.00	5.0	1.30							93	244	15.33	5.0	1.35							103	221	13.93	4.9	1.40							118	196	12.07	4.9	1.50									136	170	10.50			4.8	1.55	GS59 GSF59 GSA59 GSAF59	4P																																															
27	626	53.87	11	1.45	GSA79		29	572	49.38	11	1.50			GSAF79		33	504	43.33	11	1.55			GSAF79	4P	11	1881	131.85	34	1.75	GS99 GSF99 GSA99 GSAF99	4P	35		482	41.07	11	1.60	GS79			40		423	35.94	11	1.65	GSF79			44		383	32.38	10	1.75	GSF79			50	338	28.41	10	1.80	GSA79	57	297	25.07	10	1.90	GSAF79		60	279	23.87	9.0	1.95			GSAF79		4P	12	1683	116.92	34			1.80	GS89 GSF89 GSA89 GSAF89		4P	68	257	20.89	8.9	2.05	GSAF79				31	513	46.40	7.1	0.95					14	1530	105.71			35	1.90	GS89 GSF89 GSA89 GSAF89	4P	34	464	41.89	7.1			1.05		16	1305				89.60			35			2.00		39	414	36.85	7.0	1.15					18	1323	80.85		35		2.00	41	392	34.80	7.0	1.20		7.9	2430	180.00	26	1.00	GS79 GSF79 GSA79 GSAF79	4P	48	333	29.63	6.8			1.25				9.5					2070	151.30	27	1.15					53	306	26.93	6.7	1.30	GS69	10	1917	139.05	27	1.25	61	266	23.33	6.6	1.35	GSF69	12	1710	123.48	27	1.30	66	243	21.67	5.8	1.40	GSA69	13	1548		110.40	27		1.40	75	214	19.06				5.7	1.45		GSAF69	14	1395	99.26	28	1.45	79	208	18.00	5.7	1.50		17	1224	86.15	28	1.50	93	183	15.33	5.6	1.60		17	1314	81.76	28	1.40	103	165	13.93	5.5	1.65		19	1107	77.14	28	1.55	118	144	12.07	5.4	1.70		20	1134	70.43	28	1.50	136	125	10.50	5.3	1.80		22	1044	64.27	28	1.55	106	166	13.50	4.4	1.00	GS59	25	927	57.00	28	1.65	GS79 GSF79 GSA79 GSAF79	4P	124	141	11.53	4.4	1.15	GSF59	30					783	47.91	28	1.75			132	131	10.80	4.3	1.20	GSA59	32	720	44.03	28	1.80	157	112	9.10	4.2	1.40	GSAF59	37	644	39.10	28	1.90	44	527	32.38	10	1.50		41	576	34.96	28	1.95	50	464	28.41							10	1.55		17	1161	85.22	11	1.05	GS79 GSF79 GSA79 GSAF79	4P	57	410	25.07	9.3	1.65		19					1035	75.20			12	1.15	60	386	23.87	8.2	1.65		21	918	66.67	12	1.20	68	341	20.89	8.2	1.75		23	999	63.03	10	1.15	76	306	18.82	8.0	1.80		25	792	56.92	11	1.30			87	266	16.51					8.0	1.90		27	855	53.87	10	1.25	98	237	14.57	7.8	2.00		29	792	49.38	10	1.25	111	209	12.92	7.7	2.10		33	693	43.33	10	1.35	130	179	11.03	7.5	2.20		35	662	41.07	10	1.35	41	536	34.80	6.0	0.85		40	581	35.94	10	1.45	GS79 GSF79 GSA79 GSAF79	4P	48	459	29.63	6.0	1.00				44					527	32.38	10	1.50	53	419	26.93	6.0	1.10		50	464	28.41	10	1.55	61	365	23.33	6.0	1.15		57	410	25.07	9.3	1.65	66	344	21.67	5.2	1.20		60			386	23.87	8.2	1.65	75			302	19.06			5.0	1.25		68	341	20.89	8.2	1.75	79	287	18.00	5.0	1.30		76	306	18.82	8.0	1.80	93	244	15.33	5.0	1.35		87	266	16.51	8.0	1.90	103	221	13.93	4.9	1.40		98	237	14.57	7.8	2.00	118	196	12.07	4.9	1.50		111	209	12.92	7.7	2.10	136	170	10.50	4.8	1.55		130	179	11.03	7.5	2.20	GS69 GSF69 GSA69 GSAF69	4P	132	179	10.80			3.8	0.90	GS59	41					536	34.80	6.0	0.85	157	154	9.10	3.8	1.00	GSF59	48	459	29.63	6.0	1.00						GSA59	53	419	26.93	6.0	1.10								GSAF59	61	365	23.33	6.0			1.15									66	344	21.67	5.2	1.20							75	302	19.06	5.0	1.25							79	287	18.00	5.0	1.30							93	244	15.33	5.0	1.35							103	221	13.93	4.9	1.40							118	196	12.07	4.9	1.50							136	170	10.50	4.8	1.55	GS59 GSF59 GSA59 GSAF59	4P																																																												
29	572	49.38	11	1.50	GSAF79		33	504	43.33	11	1.55			GSAF79	4P	11	1881	131.85	34	1.75	GS99 GSF99 GSA99 GSAF99	4P	35		482	41.07	11	1.60	GS79			40		423	35.94	11	1.65	GSF79			44		383	32.38	10	1.75	GSF79			50		338	28.41	10	1.80	GSA79			57	297	25.07	10	1.90	GSAF79	60	279	23.87	9.0	1.95	GSAF79		4P	12	1683	116.92	34			1.80	GS89 GSF89 GSA89 GSAF89		4P	68	257	20.89	8.9	2.05	GSAF79				31	513	46.40	7.1	0.95					14	1530	105.71	35	1.90	GS89 GSF89 GSA89 GSAF89				4P	34	464			41.89	7.1			1.05		16	1305			89.60	35	2.00	39				414			36.85			7.0		1.15		18	1323	80.85	35			2.00	41	392	34.80	7.0	1.20		7.9	2430	180.00	26	1.00	GS79 GSF79 GSA79 GSAF79	4P	48	333	29.63	6.8	1.25				9.5	2070	151.30			27			1.15	53					306	26.93	6.7	1.30	GS69	10			1917	139.05	27	1.25	61	266	23.33	6.6	1.35	GSF69	12	1710	123.48	27	1.30	66	243	21.67	5.8	1.40	GSA69	13	1548	110.40	27	1.40	75	214	19.06	5.7		1.45	GSAF69		14	1395	99.26	28		1.45	79	208	18.00		5.7	1.50		17	1224	86.15	28	1.50	93	183	15.33	5.6	1.60		17	1314	81.76	28	1.40	103	165	13.93	5.5	1.65		19	1107	77.14	28	1.55	118	144	12.07	5.4	1.70		20	1134	70.43	28	1.50	136	125	10.50	5.3	1.80		22	1044	64.27	28	1.55	106	166	13.50	4.4	1.00	GS59	25	927	57.00	28	1.65	GS79 GSF79 GSA79 GSAF79	4P	124	141	11.53	4.4	1.15	GSF59	30			783	47.91	28	1.75	132	131	10.80					4.3	1.20	GSA59	32			720	44.03	28	1.80	157	112	9.10	4.2	1.40	GSAF59	37	644	39.10	28	1.90	44	527	32.38	10	1.50		41	576	34.96	28	1.95	50	464	28.41	10	1.55		17	1161	85.22	11		1.05	GS79 GSF79 GSA79 GSAF79				4P	57	410	25.07	9.3	1.65		19			1035	75.20	12	1.15	60	386	23.87					8.2	1.65				21	918	66.67	12	1.20	68	341	20.89	8.2	1.75		23	999	63.03	10	1.15	76	306	18.82	8.0	1.80		25	792	56.92	11	1.30	87	266	16.51	8.0	1.90		27	855	53.87	10	1.25	98					237	14.57	7.8	2.00		29	792	49.38	10	1.25	111	209	12.92	7.7	2.10		33	693	43.33	10	1.35	130	179	11.03	7.5	2.20		35	662	41.07	10	1.35	41	536	34.80	6.0	0.85		40	581	35.94	10	1.45	GS79 GSF79 GSA79 GSAF79	4P	48	459	29.63	6.0	1.00		44			527	32.38	10	1.50	53			419	26.93					6.0	1.10		50	464	28.41	10	1.55	61	365	23.33	6.0	1.15		57	410	25.07	9.3	1.65	66	344	21.67	5.2	1.20		60	386	23.87	8.2	1.65	75	302	19.06	5.0	1.25		68	341	20.89	8.2			1.75	79			287	18.00	5.0	1.30		76	306	18.82	8.0	1.80	93	244	15.33	5.0	1.35		87	266	16.51	8.0	1.90	103	221	13.93	4.9	1.40		98	237	14.57	7.8	2.00	118	196	12.07	4.9	1.50		111	209	12.92	7.7	2.10	136	170	10.50	4.8	1.55		130	179	11.03	7.5	2.20	GS69 GSF69 GSA69 GSAF69	4P	132	179	10.80	3.8	0.90	GS59	41			536	34.80	6.0			0.85	157	154	9.10					3.8	1.00	GSF59	48	459	29.63	6.0	1.00						GSA59	53	419	26.93	6.0	1.10						GSAF59	61	365	23.33	6.0	1.15							66	344			21.67	5.2	1.20									75	302	19.06	5.0	1.25							79	287	18.00	5.0	1.30							93	244	15.33	5.0	1.35							103	221	13.93	4.9	1.40							118	196	12.07	4.9	1.50							136	170	10.50	4.8	1.55	GS59 GSF59 GSA59 GSAF59	4P																																																																					
33	504	43.33	11	1.55	GSAF79	4P	11	1881	131.85	34	1.75	GS99 GSF99 GSA99 GSAF99	4P																																																																																																																																																																																																																																																																																																																																																																																																																																																																																																																																																																																																																																																																																																																																																																																																																													
35	482	41.07	11	1.60	GS79		40	423	35.94	11	1.65			GSF79		44	383	32.38	10	1.75			GSF79		50	338	28.41	10	1.80			GSA79		57	297	25.07	10	1.90			GSAF79		60	279	23.87	9.0	1.95			GSAF79		4P	12	1683	116.92	34			1.80	GS89 GSF89 GSA89 GSAF89	4P	68	257	20.89	8.9	2.05	GSAF79	31	513	46.40	7.1		0.95		14	1530	105.71	35	1.90				GS89 GSF89 GSA89 GSAF89	4P	34	464	41.89	7.1				1.05		16	1305	89.60	35				2.00	39	414	36.85	7.0						1.15				18	1323			80.85	35	2.00	41			392	34.80	7.0	1.20				7.9			2430	180.00	26	1.00	GS79 GSF79 GSA79 GSAF79	4P	48	333	29.63	6.8	1.25		9.5	2070	151.30	27	1.15	53	306	26.93	6.7	1.30	GS69	10	1917			139.05	27	1.25	61	266			23.33	6.6	1.35	GSF69	12	1710	123.48			27	1.30		66	243		21.67	5.8	1.40	GSA69	13	1548			110.40	27	1.40	75	214	19.06	5.7	1.45	GSAF69	14	1395	99.26	28	1.45	79	208	18.00	5.7	1.50		17	1224	86.15	28	1.50	93	183	15.33	5.6	1.60		17	1314	81.76	28	1.40	103	165	13.93	5.5	1.65		19	1107	77.14	28	1.55	118	144	12.07	5.4	1.70		20	1134	70.43	28	1.50	136	125	10.50	5.3	1.80		22	1044	64.27	28	1.55	106	166	13.50	4.4	1.00	GS59	25	927	57.00	28	1.65	GS79 GSF79 GSA79 GSAF79	4P	124	141	11.53	4.4	1.15	GSF59	30	783	47.91	28	1.75	132	131	10.80	4.3	1.20	GSA59	32	720	44.03	28	1.80	157	112	9.10			4.2	1.40	GSAF59	37	644	39.10	28			1.90	44	527	32.38	10	1.50						41	576	34.96	28			1.95	50	464	28.41	10	1.55		17	1161	85.22	11	1.05	GS79 GSF79 GSA79 GSAF79	4P	57	410	25.07	9.3	1.65		19	1035	75.20	12	1.15	60	386	23.87	8.2	1.65		21	918	66.67	12	1.20	68	341		20.89	8.2	1.75			23	999	63.03	10	1.15	76			306	18.82	8.0	1.80		25	792					56.92	11			1.30	87	266	16.51	8.0	1.90		27	855	53.87	10	1.25	98	237	14.57	7.8	2.00		29	792	49.38	10	1.25	111	209	12.92	7.7	2.10		33	693	43.33	10	1.35	130	179	11.03	7.5	2.20		35	662	41.07	10	1.35	41	536	34.80	6.0	0.85		40	581	35.94	10	1.45	GS79 GSF79 GSA79 GSAF79	4P	48	459	29.63	6.0	1.00		44	527	32.38	10	1.50	53	419	26.93	6.0	1.10		50	464	28.41	10	1.55	61	365	23.33	6.0	1.15		57			410	25.07	9.3	1.65	66	344	21.67			5.2	1.20		60	386			23.87	8.2					1.65	75	302	19.06	5.0	1.25		68	341	20.89	8.2	1.75	79	287	18.00	5.0	1.30		76	306	18.82	8.0	1.80	93	244	15.33	5.0	1.35		87	266	16.51	8.0	1.90	103	221	13.93	4.9	1.40		98	237	14.57	7.8	2.00	118	196	12.07	4.9	1.50		111	209	12.92	7.7	2.10	136	170	10.50	4.8	1.55		130	179	11.03	7.5	2.20	GS69 GSF69 GSA69 GSAF69	4P	132	179	10.80	3.8	0.90	GS59	41	536	34.80	6.0	0.85	157	154	9.10	3.8	1.00	GSF59	48	459	29.63	6.0	1.00						GSA59	53	419	26.93			6.0	1.10								GSAF59	61	365			23.33	6.0	1.15											66	344	21.67	5.2	1.20							75	302	19.06	5.0	1.25							79	287	18.00	5.0	1.30							93	244	15.33	5.0	1.35							103	221	13.93	4.9	1.40							118	196	12.07	4.9	1.50							136	170	10.50	4.8	1.55	GS59 GSF59 GSA59 GSAF59	4P																																																																																																								
40	423	35.94	11	1.65	GSF79		44	383	32.38	10	1.75			GSF79		50	338	28.41	10	1.80			GSA79		57	297	25.07	10	1.90			GSAF79		60	279	23.87	9.0	1.95			GSAF79		4P	12	1683	116.92	34			1.80	GS89 GSF89 GSA89 GSAF89		4P	68	257	20.89	8.9	2.05	GSAF79			31	513	46.40	7.1	0.95		14	1530	105.71	35		1.90	GS89 GSF89 GSA89 GSAF89	4P	34	464	41.89	7.1						1.05		16	1305				89.60	35	2.00	39	414	36.85				7.0	1.15		18	1323						80.85	35			2.00	41			392	34.80	7.0	1.20				7.9	2430	180.00		26		1.00			GS79 GSF79 GSA79 GSAF79	4P	48	333			29.63	6.8	1.25		9.5	2070	151.30	27	1.15	53	306	26.93	6.7	1.30	GS69	10	1917	139.05	27			1.25	61	266	23.33	6.6			1.35	GSF69	12	1710	123.48	27	1.30			66	243		21.67	5.8		1.40	GSA69	13	1548	110.40	27			1.40	75	214	19.06	5.7	1.45	GSAF69	14	1395	99.26	28	1.45	79	208	18.00	5.7	1.50		17	1224	86.15	28	1.50	93	183	15.33	5.6	1.60		17	1314	81.76	28	1.40	103	165	13.93	5.5	1.65		19	1107	77.14	28	1.55	118	144	12.07	5.4	1.70		20	1134	70.43	28	1.50	136	125	10.50	5.3	1.80		22	1044	64.27	28	1.55	106	166	13.50	4.4	1.00	GS59	25	927	57.00	28	1.65	GS79 GSF79 GSA79 GSAF79	4P			124	141	11.53	4.4	1.15	GSF59	30	783	47.91	28	1.75	132	131	10.80	4.3	1.20	GSA59	32	720	44.03	28	1.80	157	112	9.10			4.2	1.40	GSAF59	37	644	39.10	28			1.90	44	527	32.38	10	1.50						41	576	34.96	28			1.95	50	464	28.41	10	1.55		17	1161	85.22	11	1.05			GS79 GSF79 GSA79 GSAF79	4P	57	410	25.07	9.3	1.65		19	1035	75.20	12	1.15	60	386	23.87	8.2	1.65		21	918	66.67	12	1.20		68	341	20.89		8.2	1.75		23	999	63.03	10			1.15	76	306	18.82	8.0	1.80						25	792			56.92	11	1.30	87	266	16.51	8.0	1.90		27	855	53.87	10	1.25	98	237	14.57	7.8	2.00		29	792	49.38	10	1.25	111	209	12.92	7.7	2.10		33	693	43.33	10	1.35	130	179	11.03	7.5	2.20		35	662	41.07	10	1.35	41	536	34.80	6.0	0.85		40	581	35.94			10	1.45	GS79 GSF79 GSA79 GSAF79	4P	48	459	29.63	6.0	1.00		44	527	32.38	10	1.50	53	419	26.93	6.0	1.10		50	464	28.41	10	1.55	61	365	23.33			6.0	1.15		57	410	25.07	9.3			1.65	66	344	21.67	5.2			1.20						60	386	23.87	8.2	1.65	75	302	19.06	5.0	1.25		68	341	20.89	8.2	1.75	79	287	18.00	5.0	1.30		76	306	18.82	8.0	1.80	93	244	15.33	5.0	1.35		87	266	16.51	8.0	1.90	103	221	13.93	4.9	1.40		98	237	14.57	7.8	2.00	118	196	12.07	4.9	1.50		111	209	12.92	7.7	2.10	136	170	10.50	4.8	1.55		130			179	11.03	7.5	2.20	GS69 GSF69 GSA69 GSAF69	4P	132	179	10.80	3.8	0.90	GS59	41	536	34.80	6.0	0.85	157	154	9.10	3.8	1.00	GSF59	48	459	29.63	6.0	1.00								GSA59	53	419	26.93	6.0			1.10								GSAF59					61	365	23.33	6.0	1.15							66	344	21.67	5.2	1.20							75	302	19.06	5.0	1.25							79	287	18.00	5.0	1.30							93	244	15.33	5.0	1.35							103	221	13.93	4.9	1.40							118	196	12.07	4.9	1.50									136	170	10.50	4.8	1.55	GS59 GSF59 GSA59 GSAF59	4P																																																																																																
44	383	32.38	10	1.75	GSF79		50	338	28.41	10	1.80			GSA79		57	297	25.07	10	1.90			GSAF79		60	279	23.87	9.0	1.95			GSAF79		4P	12	1683	116.92	34			1.80	GS89 GSF89 GSA89 GSAF89		4P	68	257	20.89	8.9	2.05	GSAF79				31	513	46.40	7.1	0.95				14	1530	105.71	35	1.90	GS89 GSF89 GSA89 GSAF89	4P	34	464	41.89		7.1			1.05		16	1305						89.60	35	2.00	39				414	36.85	7.0	1.15		18				1323	80.85	35	2.00	41		392				34.80	7.0	1.20		7.9	2430			180.00	26	1.00	GS79 GSF79 GSA79 GSAF79			4P	48	333	29.63		6.8		1.25		9.5			2070	151.30			27	1.15	53	306	26.93	6.7	1.30	GS69	10	1917	139.05	27	1.25	61	266	23.33	6.6	1.35	GSF69			12	1710	123.48	27	1.30			66	243	21.67	5.8	1.40	GSA69	13			1548	110.40		27	1.40		75	214	19.06	5.7	1.45	GSAF69	14	1395	99.26	28	1.45	79	208	18.00	5.7	1.50		17	1224	86.15	28	1.50	93	183	15.33	5.6	1.60		17	1314	81.76	28	1.40	103	165	13.93	5.5	1.65		19	1107	77.14	28	1.55	118	144	12.07	5.4	1.70		20	1134	70.43	28	1.50	136	125	10.50	5.3	1.80		22	1044	64.27	28	1.55	106	166	13.50	4.4	1.00	GS59	25	927	57.00	28	1.65	GS79 GSF79 GSA79 GSAF79	4P	124	141	11.53	4.4	1.15	GSF59	30					783	47.91	28	1.75	132	131	10.80	4.3	1.20	GSA59	32	720	44.03	28	1.80	157	112	9.10	4.2	1.40	GSAF59	37	644	39.10	28			1.90	44	527	32.38	10	1.50				41	576	34.96	28	1.95	50	464					28.41	10	1.55		17	1161	85.22	11	1.05	GS79 GSF79 GSA79 GSAF79	4P	57	410	25.07	9.3	1.65		19					1035	75.20	12	1.15	60	386	23.87	8.2	1.65		21	918	66.67	12	1.20	68	341	20.89	8.2	1.75		23		999	63.03	10		1.15	76	306	18.82	8.0	1.80				25	792	56.92	11	1.30	87	266					16.51	8.0	1.90		27	855	53.87	10	1.25	98	237	14.57	7.8	2.00		29	792	49.38	10	1.25	111	209	12.92	7.7	2.10		33	693	43.33	10	1.35	130	179	11.03	7.5	2.20		35	662	41.07	10	1.35	41	536	34.80	6.0	0.85		40	581	35.94	10	1.45	GS79 GSF79 GSA79 GSAF79	4P	48	459	29.63	6.0	1.00				44			527	32.38	10	1.50	53	419	26.93	6.0	1.10		50	464	28.41	10	1.55	61	365	23.33	6.0	1.15		57	410	25.07	9.3			1.65	66	344	21.67	5.2	1.20				60	386	23.87	8.2	1.65			75	302			19.06	5.0	1.25		68	341	20.89	8.2	1.75	79	287	18.00	5.0	1.30		76	306	18.82	8.0	1.80	93	244	15.33	5.0	1.35		87	266	16.51	8.0	1.90	103	221	13.93	4.9	1.40		98	237	14.57	7.8	2.00	118	196	12.07	4.9	1.50		111	209	12.92	7.7	2.10	136	170	10.50	4.8	1.55		130	179	11.03	7.5	2.20	GS69 GSF69 GSA69 GSAF69	4P	132	179	10.80			3.8	0.90	GS59	41			536	34.80	6.0	0.85	157	154	9.10	3.8	1.00	GSF59	48	459	29.63	6.0	1.00						GSA59	53	419	26.93	6.0			1.10						GSAF59			61	365	23.33			6.0	1.15									66	344	21.67	5.2	1.20							75	302	19.06	5.0	1.25							79	287	18.00	5.0	1.30							93	244	15.33	5.0	1.35							103	221	13.93	4.9	1.40							118	196	12.07	4.9	1.50							136	170	10.50	4.8	1.55	GS59 GSF59 GSA59 GSAF59	4P																																																																																																											
50	338	28.41	10	1.80	GSA79		57	297	25.07	10	1.90			GSAF79		60	279	23.87	9.0	1.95			GSAF79		4P	12	1683	116.92	34			1.80	GS89 GSF89 GSA89 GSAF89		4P	68	257	20.89	8.9	2.05	GSAF79				31	513	46.40	7.1	0.95					14	1530	105.71	35	1.90	GS89 GSF89 GSA89 GSAF89			4P	34	464	41.89	7.1			1.05		16		1305			89.60	35	2.00	39						414	36.85	7.0	1.15					18	1323	80.85	35	2.00		41		392	34.80	7.0	1.20			7.9	2430	180.00		26	1.00	GS79 GSF79 GSA79 GSAF79	4P	48	333			29.63	6.8	1.25						9.5	2070	151.30	27	1.15	53	306	26.93			6.7	1.30			GS69	10	1917	139.05	27	1.25	61	266	23.33	6.6	1.35	GSF69	12	1710	123.48	27	1.30	66	243			21.67	5.8	1.40	GSA69	13			1548	110.40	27	1.40	75	214	19.06			5.7	1.45	GSAF69	14	1395	99.26	28	1.45	79	208	18.00	5.7	1.50		17	1224	86.15	28	1.50	93	183	15.33	5.6	1.60		17	1314	81.76	28	1.40	103	165	13.93	5.5	1.65		19	1107	77.14	28	1.55	118	144	12.07	5.4	1.70		20	1134	70.43	28	1.50	136	125	10.50	5.3	1.80		22	1044	64.27	28	1.55	106	166	13.50	4.4	1.00	GS59	25	927	57.00	28	1.65	GS79 GSF79 GSA79 GSAF79	4P	124	141	11.53	4.4	1.15	GSF59	30			783	47.91	28	1.75	132	131	10.80					4.3	1.20	GSA59	32	720	44.03	28	1.80	157	112	9.10	4.2	1.40	GSAF59	37	644	39.10	28	1.90	44	527	32.38	10	1.50				41	576	34.96	28	1.95	50	464			28.41	10	1.55		17	1161	85.22			11	1.05	GS79 GSF79 GSA79 GSAF79	4P	57	410	25.07	9.3	1.65		19			1035	75.20	12	1.15	60	386	23.87					8.2	1.65		21	918	66.67	12	1.20	68	341	20.89	8.2	1.75		23	999	63.03	10	1.15	76	306	18.82		8.0	1.80			25	792	56.92	11	1.30	87	266			16.51	8.0	1.90		27	855	53.87	10	1.25			98	237	14.57	7.8	2.00		29	792	49.38	10	1.25	111	209	12.92	7.7	2.10		33	693	43.33	10	1.35	130	179	11.03	7.5	2.20		35	662	41.07	10	1.35	41	536	34.80	6.0	0.85		40	581	35.94	10	1.45	GS79 GSF79 GSA79 GSAF79	4P	48	459	29.63	6.0	1.00		44			527	32.38	10	1.50	53			419	26.93			6.0	1.10		50	464	28.41	10	1.55	61	365	23.33	6.0	1.15		57	410	25.07	9.3	1.65	66	344	21.67	5.2	1.20				60	386	23.87	8.2	1.65	75	302			19.06	5.0	1.25		68	341	20.89	8.2	1.75			79	287	18.00	5.0	1.30		76	306	18.82	8.0	1.80	93	244	15.33	5.0	1.35		87	266	16.51	8.0	1.90	103	221	13.93	4.9	1.40		98	237	14.57	7.8	2.00	118	196	12.07	4.9	1.50		111	209	12.92	7.7	2.10	136	170	10.50	4.8	1.55		130	179	11.03	7.5	2.20	GS69 GSF69 GSA69 GSAF69	4P	132	179	10.80	3.8	0.90	GS59	41			536	34.80	6.0			0.85	157	154	9.10			3.8	1.00	GSF59	48	459	29.63	6.0	1.00						GSA59	53	419	26.93	6.0	1.10						GSAF59			61	365	23.33	6.0	1.15									66	344	21.67	5.2	1.20									75	302	19.06	5.0	1.25							79	287	18.00	5.0	1.30							93	244	15.33	5.0	1.35							103	221	13.93	4.9	1.40							118	196	12.07	4.9	1.50							136	170	10.50	4.8	1.55	GS59 GSF59 GSA59 GSAF59	4P																																																																																																																				
57	297	25.07	10	1.90	GSAF79		60	279	23.87	9.0	1.95			GSAF79		4P	12	1683	116.92	34			1.80	GS89 GSF89 GSA89 GSAF89		4P	68	257	20.89	8.9	2.05	GSAF79				31	513	46.40	7.1	0.95					14	1530	105.71	35	1.90	GS89 GSF89 GSA89 GSAF89				4P	34	464	41.89	7.1					1.05		16	1305			89.60	35	2.00		39			414	36.85	7.0	1.15							18	1323	80.85		35		2.00	41	392	34.80	7.0	1.20		7.9	2430	180.00	26	1.00	GS79 GSF79 GSA79 GSAF79	4P		48	333	29.63		6.8	1.25				9.5			2070	151.30	27		1.15	53		306	26.93	6.7	1.30	GS69	10	1917	139.05	27			1.25	61			266	23.33	6.6	1.35	GSF69	12	1710	123.48	27	1.30	66	243	21.67	5.8	1.40	GSA69	13	1548	110.40			27	1.40	75	214	19.06			5.7	1.45	GSAF69	14	1395	99.26	28	1.45	79	208	18.00	5.7	1.50		17	1224	86.15	28	1.50	93	183	15.33	5.6	1.60		17	1314	81.76	28	1.40	103	165	13.93	5.5	1.65		19	1107	77.14	28	1.55	118	144	12.07	5.4	1.70		20	1134	70.43	28	1.50	136	125	10.50	5.3	1.80		22	1044	64.27	28	1.55	106	166	13.50	4.4	1.00	GS59	25	927	57.00	28	1.65	GS79 GSF79 GSA79 GSAF79	4P	124	141	11.53	4.4	1.15	GSF59	30			783	47.91	28	1.75	132	131	10.80			4.3	1.20	GSA59	32	720	44.03	28					1.80	157	112	9.10	4.2	1.40	GSAF59	37	644	39.10	28	1.90	44	527	32.38	10	1.50		41	576	34.96	28	1.95	50	464			28.41	10	1.55		17	1161	85.22			11	1.05	GS79 GSF79 GSA79 GSAF79	4P	57	410	25.07	9.3	1.65		19			1035	75.20	12	1.15	60	386	23.87			8.2	1.65		21	918	66.67	12					1.20	68	341	20.89	8.2	1.75		23	999	63.03	10	1.15	76	306	18.82	8.0	1.80		25	792	56.92	11		1.30	87	266		16.51	8.0	1.90		27	855	53.87			10	1.25	98	237	14.57	7.8	2.00		29	792	49.38	10	1.25	111	209	12.92	7.7	2.10		33	693	43.33	10	1.35	130	179	11.03	7.5	2.20		35	662	41.07	10	1.35	41	536	34.80	6.0	0.85		40	581	35.94	10	1.45	GS79 GSF79 GSA79 GSAF79	4P	48	459	29.63	6.0	1.00		44			527	32.38	10	1.50	53	419	26.93			6.0	1.10		50	464			28.41	10			1.55	61	365	23.33	6.0	1.15		57	410	25.07	9.3	1.65	66	344	21.67	5.2	1.20		60	386	23.87	8.2	1.65	75	302			19.06	5.0	1.25		68	341	20.89			8.2	1.75	79	287	18.00	5.0	1.30		76	306	18.82	8.0	1.80	93	244	15.33	5.0	1.35		87	266	16.51	8.0	1.90	103	221	13.93	4.9	1.40		98	237	14.57	7.8	2.00	118	196	12.07	4.9	1.50		111	209	12.92	7.7	2.10	136	170	10.50	4.8	1.55		130	179	11.03	7.5	2.20	GS69 GSF69 GSA69 GSAF69	4P	132	179	10.80	3.8	0.90	GS59	41			536	34.80	6.0	0.85	157	154	9.10			3.8	1.00	GSF59			48	459	29.63	6.0			1.00						GSA59	53	419	26.93	6.0	1.10						GSAF59	61	365	23.33	6.0	1.15									66	344	21.67			5.2	1.20							75	302	19.06	5.0	1.25							79	287	18.00	5.0	1.30							93	244	15.33	5.0	1.35							103	221	13.93	4.9	1.40							118	196	12.07	4.9	1.50							136	170	10.50	4.8	1.55	GS59 GSF59 GSA59 GSAF59	4P																																																																																																																													
60	279	23.87	9.0	1.95	GSAF79		4P	12	1683	116.92	34			1.80	GS89 GSF89 GSA89 GSAF89		4P																																																																																																																																																																																																																																																																																																																																																																																																																																																																																																																																																																																																																																																																																																																																																																																																																									
68	257	20.89	8.9	2.05	GSAF79	31		513	46.40	7.1	0.95		14	1530				105.71	35	1.90	GS89 GSF89 GSA89 GSAF89	4P	34				464	41.89	7.1	1.05		16				1305	89.60	35	2.00	39	414				36.85	7.0	1.15		18						1323	80.85	35	2.00					41	392	34.80	7.0			1.20		7.9	2430	180.00			26	1.00	GS79 GSF79 GSA79 GSAF79	4P	48	333	29.63			6.8	1.25		9.5	2070	151.30	27	1.15	53	306	26.93	6.7	1.30	GS69	10	1917	139.05	27	1.25			61	266	23.33	6.6	1.35	GSF69	12			1710	123.48	27	1.30	66	243	21.67		5.8	1.40		GSA69	13	1548	110.40	27	1.40	75	214	19.06			5.7	1.45			GSAF69	14	1395	99.26	28	1.45	79	208	18.00	5.7	1.50		17	1224	86.15	28	1.50	93	183	15.33	5.6	1.60		17	1314	81.76	28	1.40	103	165	13.93	5.5	1.65		19	1107	77.14	28	1.55	118	144	12.07	5.4	1.70		20	1134	70.43	28	1.50	136	125	10.50	5.3	1.80		22	1044	64.27	28	1.55	106	166	13.50	4.4	1.00	GS59	25	927	57.00	28	1.65	GS79 GSF79 GSA79 GSAF79	4P	124	141	11.53	4.4	1.15	GSF59	30	783	47.91	28	1.75	132	131	10.80	4.3	1.20	GSA59	32	720	44.03	28	1.80	157	112	9.10	4.2	1.40	GSAF59			37	644	39.10	28	1.90	44	527			32.38	10	1.50		41	576	34.96			28	1.95	50	464	28.41	10	1.55						17	1161	85.22	11	1.05	GS79 GSF79 GSA79 GSAF79	4P	57	410	25.07	9.3	1.65		19	1035	75.20	12	1.15	60	386	23.87	8.2	1.65		21	918	66.67	12	1.20	68	341	20.89	8.2	1.75		23	999			63.03	10	1.15	76	306	18.82	8.0			1.80		25	792	56.92	11	1.30			87	266	16.51	8.0	1.90		27					855	53.87	10	1.25	98	237	14.57	7.8	2.00		29	792	49.38	10	1.25	111	209	12.92	7.7	2.10		33	693	43.33	10	1.35	130	179	11.03	7.5	2.20		35	662	41.07	10	1.35	41	536	34.80	6.0	0.85		40	581	35.94	10	1.45	GS79 GSF79 GSA79 GSAF79	4P	48	459	29.63	6.0	1.00		44	527	32.38	10	1.50	53	419	26.93	6.0	1.10		50	464	28.41	10	1.55	61	365	23.33	6.0	1.15		57	410	25.07	9.3			1.65	66	344	21.67	5.2	1.20				60	386	23.87	8.2	1.65	75	302			19.06	5.0	1.25		68			341	20.89			8.2	1.75	79	287	18.00	5.0	1.30		76	306	18.82	8.0	1.80	93	244	15.33	5.0	1.35		87	266	16.51	8.0	1.90	103	221	13.93	4.9	1.40		98	237	14.57	7.8	2.00	118	196	12.07	4.9	1.50		111	209	12.92	7.7	2.10	136	170	10.50	4.8	1.55		130	179	11.03	7.5	2.20	GS69 GSF69 GSA69 GSAF69	4P	132	179	10.80	3.8	0.90	GS59	41	536	34.80	6.0	0.85	157	154	9.10	3.8	1.00	GSF59	48	459	29.63	6.0	1.00						GSA59	53	419	26.93	6.0	1.10								GSAF59	61	365			23.33	6.0	1.15									66			344	21.67	5.2	1.20									75	302	19.06	5.0	1.25							79	287	18.00	5.0	1.30							93	244	15.33	5.0	1.35							103	221	13.93	4.9	1.40							118	196	12.07	4.9	1.50							136	170	10.50	4.8	1.55	GS59 GSF59 GSA59 GSAF59	4P																																																																																																																																																																			
31	513	46.40	7.1	0.95		14		1530	105.71	35	1.90	GS89 GSF89 GSA89 GSAF89	4P																																																																																																																																																																																																																																																																																																																																																																																																																																																																																																																																																																																																																																																																																																																																																																																																																													
34	464	41.89	7.1	1.05		16		1305	89.60	35	2.00			39				414	36.85	7.0			1.15					18	1323	80.85	35	2.00				41	392	34.80	7.0	1.20					7.9	2430	180.00	26	1.00			GS79 GSF79 GSA79 GSAF79			4P	48	333	29.63		6.8	1.25			9.5	2070	151.30			27	1.15	53	306	26.93			6.7	1.30			GS69	10	1917	139.05	27	1.25	61	266	23.33	6.6	1.35	GSF69	12	1710	123.48	27	1.30	66	243	21.67	5.8	1.40	GSA69	13			1548	110.40	27	1.40	75	214	19.06			5.7	1.45	GSAF69	14	1395	99.26	28		1.45	79		208	18.00	5.7	1.50		17	1224	86.15	28			1.50	93	183	15.33	5.6	1.60		17	1314	81.76	28	1.40	103	165	13.93	5.5	1.65		19	1107	77.14	28	1.55	118	144	12.07	5.4	1.70		20	1134	70.43	28	1.50	136	125	10.50	5.3	1.80		22	1044	64.27	28	1.55	106	166	13.50	4.4	1.00	GS59	25	927	57.00	28	1.65	GS79 GSF79 GSA79 GSAF79	4P	124	141	11.53	4.4	1.15	GSF59	30	783	47.91	28	1.75	132	131	10.80	4.3	1.20	GSA59	32			720	44.03	28	1.80	157	112	9.10	4.2	1.40	GSAF59	37	644	39.10	28	1.90	44	527	32.38	10	1.50		41	576	34.96	28	1.95	50	464			28.41	10	1.55		17	1161	85.22			11	1.05	GS79 GSF79 GSA79 GSAF79	4P	57	410	25.07			9.3	1.65		19	1035	75.20	12			1.15	60	386	23.87	8.2	1.65		21			918	66.67	12	1.20	68	341	20.89	8.2	1.75		23	999	63.03	10	1.15	76	306	18.82	8.0	1.80		25	792	56.92	11	1.30	87	266	16.51	8.0			1.90		27	855	53.87	10	1.25			98	237	14.57	7.8	2.00		29			792	49.38	10	1.25	111	209	12.92	7.7	2.10				33	693	43.33	10	1.35	130	179	11.03	7.5	2.20		35	662	41.07	10	1.35	41	536	34.80	6.0	0.85		40	581	35.94	10	1.45	GS79 GSF79 GSA79 GSAF79	4P	48	459	29.63	6.0	1.00		44	527	32.38	10	1.50	53	419	26.93	6.0	1.10		50			464	28.41	10	1.55	61	365	23.33	6.0	1.15		57	410	25.07	9.3	1.65	66	344	21.67	5.2	1.20		60	386	23.87	8.2	1.65	75	302	19.06	5.0	1.25				68	341	20.89	8.2	1.75	79	287			18.00	5.0	1.30		76	306	18.82			8.0	1.80	93	244	15.33	5.0	1.35		87			266	16.51	8.0	1.90	103	221	13.93	4.9	1.40		98	237	14.57	7.8	2.00	118	196	12.07	4.9	1.50		111	209	12.92	7.7	2.10	136	170	10.50	4.8	1.55		130	179	11.03	7.5	2.20	GS69 GSF69 GSA69 GSAF69	4P	132	179	10.80	3.8	0.90	GS59	41	536	34.80	6.0	0.85	157	154	9.10	3.8	1.00	GSF59	48			459	29.63	6.0	1.00						GSA59	53	419	26.93	6.0	1.10						GSAF59	61	365	23.33	6.0	1.15							66	344			21.67	5.2	1.20									75	302	19.06	5.0	1.25									79	287	18.00			5.0	1.30							93	244	15.33	5.0	1.35							103	221	13.93	4.9	1.40							118	196	12.07	4.9	1.50							136	170	10.50	4.8	1.55	GS59 GSF59 GSA59 GSAF59	4P																																																																																																																																																																																							
39	414	36.85	7.0	1.15		18		1323	80.85	35	2.00			41				392	34.80	7.0			1.20					7.9	2430	180.00	26	1.00				GS79 GSF79 GSA79 GSAF79	4P	48	333	29.63	6.8		1.25			9.5	2070	151.30	27		1.15		53			306	26.93	6.7		1.30	GS69		10	1917	139.05	27			1.25	61	266	23.33	6.6	1.35	GSF69	12	1710			123.48	27	1.30	66	243	21.67	5.8	1.40	GSA69	13	1548	110.40	27	1.40	75	214	19.06	5.7	1.45	GSAF69	14	1395	99.26	28			1.45	79	208	18.00	5.7	1.50				17	1224	86.15	28	1.50	93	183		15.33	5.6		1.60		17	1314	81.76	28	1.40	103	165	13.93	5.5	1.65		19	1107	77.14	28	1.55	118	144	12.07	5.4	1.70		20	1134	70.43	28	1.50	136	125	10.50	5.3	1.80		22	1044	64.27	28	1.55	106	166	13.50	4.4	1.00	GS59	25	927	57.00	28	1.65	GS79 GSF79 GSA79 GSAF79	4P	124	141	11.53	4.4	1.15	GSF59	30	783	47.91	28	1.75	132	131	10.80			4.3	1.20	GSA59	32	720	44.03	28	1.80	157	112	9.10	4.2	1.40	GSAF59	37	644	39.10	28			1.90	44	527	32.38	10	1.50		41	576	34.96	28	1.95	50	464	28.41	10	1.55		17	1161	85.22	11	1.05	GS79 GSF79 GSA79 GSAF79	4P	57	410	25.07			9.3	1.65		19	1035	75.20	12			1.15	60			386	23.87	8.2			1.65		21	918	66.67	12	1.20	68	341	20.89	8.2	1.75		23	999	63.03	10			1.15	76	306	18.82	8.0	1.80		25	792	56.92	11	1.30	87	266	16.51	8.0	1.90		27	855	53.87	10	1.25	98	237	14.57	7.8	2.00		29			792	49.38	10	1.25	111	209	12.92			7.7	2.10		33	693	43.33	10			1.35	130	179	11.03	7.5	2.20		35	662	41.07	10	1.35	41	536	34.80	6.0	0.85		40	581	35.94	10	1.45	GS79 GSF79 GSA79 GSAF79	4P	48	459	29.63	6.0	1.00		44	527	32.38	10	1.50	53	419	26.93			6.0	1.10		50	464	28.41	10	1.55	61	365	23.33	6.0	1.15		57	410	25.07	9.3			1.65	66	344	21.67	5.2	1.20		60	386	23.87	8.2	1.65	75	302	19.06	5.0	1.25		68	341	20.89	8.2	1.75	79	287	18.00	5.0	1.30		76	306	18.82			8.0	1.80	93	244	15.33	5.0	1.35				87	266	16.51	8.0	1.90	103			221	13.93	4.9	1.40		98	237	14.57	7.8	2.00	118	196	12.07	4.9	1.50		111	209	12.92	7.7	2.10	136	170	10.50	4.8	1.55		130	179	11.03	7.5	2.20	GS69 GSF69 GSA69 GSAF69	4P	132	179	10.80	3.8	0.90	GS59	41	536	34.80	6.0	0.85	157	154	9.10			3.8	1.00	GSF59	48	459	29.63	6.0	1.00						GSA59	53	419	26.93	6.0			1.10						GSAF59	61	365	23.33	6.0	1.15							66	344	21.67	5.2	1.20							75	302	19.06	5.0	1.25									79			287	18.00	5.0	1.30									93	244	15.33	5.0	1.35							103	221	13.93	4.9	1.40							118	196	12.07	4.9	1.50							136	170	10.50	4.8	1.55	GS59 GSF59 GSA59 GSAF59	4P																																																																																																																																																																																																							
41	392	34.80	7.0	1.20		7.9		2430	180.00	26	1.00			GS79 GSF79 GSA79 GSAF79				4P																																																																																																																																																																																																																																																																																																																																																																																																																																																																																																																																																																																																																																																																																																																																																																																																																								
48	333	29.63	6.8	1.25		9.5		2070	151.30	27	1.15								53	306			26.93		6.7		1.30	GS69	10	1917	139.05	27	1.25	61	266			23.33	6.6	1.35	GSF69	12	1710	123.48	27	1.30	66	243	21.67		5.8		1.40			GSA69	13	1548	110.40	27	1.40	75	214	19.06	5.7	1.45	GSAF69	14	1395	99.26	28	1.45	79	208	18.00	5.7	1.50				17	1224	86.15	28	1.50	93	183	15.33	5.6	1.60		17	1314	81.76	28	1.40	103	165	13.93	5.5	1.65		19			1107	77.14	28	1.55	118	144	12.07	5.4	1.70		20	1134	70.43	28	1.50	136	125	10.50	5.3	1.80		22	1044	64.27	28	1.55	106	166	13.50	4.4	1.00	GS59	25	927	57.00	28	1.65	GS79 GSF79 GSA79 GSAF79	4P	124	141	11.53	4.4	1.15	GSF59	30	783	47.91	28	1.75	132	131	10.80	4.3	1.20	GSA59	32	720	44.03	28	1.80	157	112	9.10	4.2	1.40	GSAF59	37	644	39.10	28			1.90	44	527	32.38	10	1.50		41	576	34.96	28	1.95	50	464			28.41	10	1.55		17	1161	85.22	11	1.05	GS79 GSF79 GSA79 GSAF79	4P	57	410	25.07	9.3	1.65		19			1035	75.20	12	1.15	60	386	23.87	8.2	1.65		21	918	66.67	12	1.20	68	341	20.89	8.2	1.75		23	999			63.03	10	1.15			76	306	18.82	8.0	1.80		25	792	56.92	11	1.30			87	266	16.51	8.0	1.90		27	855	53.87	10	1.25	98	237	14.57	7.8	2.00		29	792	49.38	10	1.25			111	209	12.92	7.7	2.10		33	693	43.33	10	1.35	130	179	11.03	7.5	2.20		35	662	41.07	10	1.35	41	536	34.80	6.0	0.85		40	581			35.94	10	1.45	GS79 GSF79 GSA79 GSAF79	4P	48	459	29.63	6.0	1.00		44	527	32.38	10	1.50	53	419	26.93	6.0	1.10		50	464	28.41	10	1.55	61	365	23.33	6.0	1.15		57	410	25.07	9.3	1.65	66	344	21.67			5.2	1.20		60	386	23.87	8.2	1.65	75	302	19.06	5.0	1.25				68	341	20.89	8.2	1.75	79	287	18.00	5.0	1.30		76	306	18.82	8.0	1.80	93	244			15.33	5.0	1.35		87	266	16.51	8.0	1.90	103	221	13.93	4.9	1.40		98	237	14.57	7.8	2.00	118	196	12.07	4.9	1.50		111	209	12.92	7.7	2.10	136			170	10.50	4.8	1.55		130	179	11.03	7.5	2.20	GS69 GSF69 GSA69 GSAF69	4P	132	179	10.80	3.8	0.90	GS59	41	536	34.80	6.0	0.85	157	154	9.10	3.8	1.00	GSF59	48	459	29.63	6.0	1.00						GSA59	53	419	26.93	6.0	1.10								GSAF59	61	365	23.33	6.0	1.15							66	344			21.67	5.2	1.20							75	302	19.06	5.0	1.25									79	287	18.00	5.0	1.30							93	244	15.33	5.0	1.35							103	221	13.93	4.9	1.40									118	196	12.07	4.9	1.50							136	170	10.50	4.8	1.55	GS59 GSF59 GSA59 GSAF59	4P																																																																																																																																																																																																																																																	
53	306	26.93	6.7	1.30	GS69	10		1917	139.05	27	1.25					61			266	23.33			6.6	1.35	GSF69	12	1710	123.48	27	1.30	66	243	21.67	5.8	1.40			GSA69	13	1548	110.40	27	1.40	75	214	19.06	5.7	1.45	GSAF69	14	1395		99.26	28		1.45	79	208	18.00	5.7	1.50		17	1224	86.15	28	1.50	93	183	15.33	5.6	1.60		17	1314	81.76	28			1.40	103	165	13.93	5.5	1.65		19	1107	77.14	28	1.55	118	144	12.07	5.4	1.70		20	1134	70.43	28	1.50	136	125	10.50	5.3	1.80		22	1044	64.27	28	1.55	106	166	13.50	4.4	1.00	GS59	25	927	57.00	28	1.65	GS79 GSF79 GSA79 GSAF79	4P	124	141	11.53	4.4	1.15	GSF59	30	783	47.91	28	1.75	132	131	10.80	4.3	1.20			GSA59	32	720	44.03	28	1.80	157	112	9.10	4.2	1.40	GSAF59	37	644	39.10	28	1.90	44	527	32.38	10	1.50		41	576	34.96	28	1.95	50	464	28.41	10			1.55		17	1161	85.22	11	1.05	GS79 GSF79 GSA79 GSAF79	4P	57	410	25.07	9.3	1.65				19	1035	75.20	12	1.15	60	386	23.87			8.2	1.65		21	918	66.67	12			1.20	68	341	20.89	8.2	1.75		23	999	63.03	10	1.15	76	306	18.82	8.0	1.80		25	792	56.92	11	1.30			87	266	16.51	8.0	1.90		27	855	53.87	10	1.25	98	237	14.57	7.8	2.00				29	792	49.38	10	1.25	111	209	12.92	7.7	2.10		33	693	43.33	10	1.35	130	179	11.03	7.5	2.20				35	662	41.07	10	1.35	41	536	34.80	6.0	0.85		40	581	35.94	10	1.45	GS79 GSF79 GSA79 GSAF79	4P	48	459	29.63	6.0	1.00		44	527	32.38	10	1.50	53	419	26.93	6.0	1.10				50	464	28.41	10	1.55	61	365	23.33	6.0	1.15		57	410	25.07	9.3	1.65	66	344	21.67	5.2	1.20		60	386	23.87	8.2	1.65	75	302	19.06	5.0	1.25		68	341			20.89	8.2	1.75	79	287	18.00	5.0	1.30		76	306	18.82	8.0	1.80			93	244	15.33	5.0	1.35		87	266	16.51	8.0	1.90	103	221	13.93	4.9	1.40		98			237	14.57	7.8	2.00	118	196	12.07	4.9	1.50		111	209	12.92	7.7	2.10	136	170	10.50	4.8	1.55		130	179	11.03	7.5	2.20	GS69 GSF69 GSA69 GSAF69	4P	132	179	10.80	3.8	0.90	GS59	41	536	34.80	6.0	0.85	157	154	9.10	3.8	1.00			GSF59	48	459	29.63	6.0	1.00						GSA59	53	419	26.93	6.0	1.10						GSAF59	61	365	23.33	6.0	1.15							66	344	21.67	5.2			1.20							75	302	19.06	5.0	1.25									79	287	18.00	5.0	1.30							93	244	15.33			5.0	1.35							103	221	13.93	4.9	1.40							118	196	12.07	4.9	1.50							136	170	10.50	4.8	1.55	GS59 GSF59 GSA59 GSAF59	4P																																																																																																																																																																																																																																																																			
61	266	23.33	6.6	1.35	GSF69	12	1710	123.48	27	1.30	66				243	21.67	5.8		1.40	GSA69			13	1548	110.40	27	1.40	75	214	19.06	5.7	1.45	GSAF69	14	1395			99.26	28	1.45	79	208	18.00	5.7	1.50		17	1224	86.15	28	1.50		93	183		15.33	5.6	1.60		17	1314	81.76	28	1.40	103	165	13.93	5.5	1.65		19	1107	77.14	28	1.55	118	144			12.07	5.4	1.70		20	1134	70.43	28	1.50	136	125	10.50	5.3	1.80		22	1044	64.27	28	1.55	106	166	13.50	4.4	1.00	GS59	25	927	57.00	28	1.65	GS79 GSF79 GSA79 GSAF79	4P	124	141	11.53	4.4	1.15	GSF59	30	783	47.91	28	1.75	132			131	10.80	4.3	1.20	GSA59	32	720	44.03	28	1.80	157	112	9.10	4.2	1.40	GSAF59			37	644	39.10	28	1.90	44	527	32.38	10	1.50		41	576	34.96	28	1.95	50	464	28.41	10	1.55		17	1161	85.22	11	1.05	GS79 GSF79 GSA79 GSAF79	4P	57	410	25.07			9.3	1.65		19	1035	75.20	12			1.15	60	386	23.87	8.2			1.65		21	918	66.67	12	1.20	68	341			20.89	8.2	1.75		23	999	63.03			10	1.15	76	306	18.82	8.0	1.80		25	792	56.92	11	1.30	87	266	16.51	8.0	1.90		27	855	53.87	10			1.25	98	237	14.57	7.8	2.00		29	792	49.38	10	1.25	111	209	12.92	7.7			2.10		33	693	43.33	10	1.35	130	179	11.03	7.5	2.20		35	662	41.07	10	1.35	41	536	34.80	6.0			0.85		40	581	35.94	10	1.45	GS79 GSF79 GSA79 GSAF79	4P	48	459	29.63	6.0	1.00		44	527			32.38	10	1.50	53	419	26.93	6.0	1.10		50	464	28.41	10	1.55	61	365			23.33	6.0	1.15		57	410	25.07	9.3	1.65	66	344	21.67	5.2	1.20		60	386	23.87	8.2	1.65	75	302	19.06	5.0	1.25		68	341	20.89	8.2	1.75	79	287	18.00	5.0	1.30				76	306	18.82	8.0	1.80	93	244	15.33	5.0	1.35		87	266			16.51	8.0	1.90	103	221	13.93	4.9	1.40		98	237	14.57	7.8	2.00	118	196	12.07	4.9			1.50		111	209	12.92	7.7	2.10	136	170	10.50	4.8	1.55		130	179	11.03	7.5	2.20	GS69 GSF69 GSA69 GSAF69	4P	132	179	10.80	3.8	0.90	GS59			41	536	34.80	6.0	0.85	157	154	9.10	3.8	1.00	GSF59	48	459	29.63	6.0	1.00								GSA59	53	419	26.93	6.0	1.10						GSAF59	61	365	23.33	6.0	1.15							66	344	21.67	5.2	1.20									75	302	19.06	5.0	1.25							79	287			18.00	5.0	1.30							93	244	15.33	5.0	1.35									103	221	13.93	4.9	1.40							118	196	12.07	4.9	1.50							136	170	10.50	4.8	1.55	GS59 GSF59 GSA59 GSAF59	4P																																																																																																																																																																																																																																																																									
66	243	21.67	5.8	1.40	GSA69	13	1548	110.40	27	1.40	75				214	19.06	5.7		1.45	GSAF69	14	1395	99.26	28	1.45	79	208	18.00	5.7	1.50		17	1224	86.15	28			1.50	93	183	15.33	5.6	1.60		17	1314	81.76	28	1.40	103	165		13.93	5.5		1.65		19	1107	77.14	28	1.55	118	144	12.07	5.4	1.70		20	1134	70.43	28	1.50	136	125	10.50	5.3	1.80		22	1044	64.27	28	1.55	106	166	13.50	4.4	1.00	GS59	25	927	57.00	28	1.65	GS79 GSF79 GSA79 GSAF79	4P	124	141	11.53	4.4	1.15	GSF59	30	783	47.91	28	1.75	132	131			10.80	4.3	1.20	GSA59	32	720	44.03	28	1.80	157	112	9.10			4.2	1.40	GSAF59	37	644	39.10	28	1.90	44	527	32.38	10	1.50		41	576			34.96	28	1.95	50	464	28.41	10	1.55		17	1161	85.22	11	1.05	GS79 GSF79 GSA79 GSAF79	4P	57	410	25.07	9.3	1.65		19	1035	75.20	12	1.15			60	386	23.87			8.2	1.65		21	918	66.67	12			1.20	68	341	20.89	8.2			1.75		23	999	63.03	10	1.15	76	306			18.82	8.0	1.80		25	792	56.92	11	1.30	87	266	16.51	8.0	1.90		27	855	53.87	10	1.25	98	237	14.57	7.8	2.00		29	792	49.38	10	1.25	111			209	12.92	7.7	2.10		33	693	43.33	10	1.35	130	179	11.03	7.5	2.20				35	662	41.07	10	1.35	41	536	34.80	6.0	0.85		40	581	35.94	10	1.45	GS79 GSF79 GSA79 GSAF79	4P	48	459	29.63	6.0	1.00		44	527	32.38	10	1.50	53	419			26.93	6.0	1.10		50	464	28.41	10			1.55	61	365	23.33	6.0	1.15		57	410	25.07	9.3	1.65	66	344	21.67	5.2			1.20		60	386	23.87	8.2	1.65	75	302	19.06	5.0	1.25		68	341	20.89	8.2	1.75	79	287	18.00	5.0	1.30		76	306	18.82	8.0	1.80	93	244	15.33	5.0	1.35		87			266	16.51	8.0	1.90	103	221	13.93	4.9	1.40		98	237	14.57	7.8			2.00	118	196	12.07	4.9	1.50		111	209	12.92	7.7	2.10	136	170	10.50	4.8	1.55		130	179	11.03	7.5	2.20	GS69 GSF69 GSA69 GSAF69	4P	132	179	10.80	3.8	0.90	GS59	41	536	34.80	6.0	0.85	157	154			9.10	3.8	1.00	GSF59	48	459			29.63	6.0	1.00						GSA59	53	419	26.93	6.0	1.10								GSAF59	61	365	23.33	6.0	1.15							66	344	21.67	5.2	1.20							75	302	19.06	5.0	1.25							79			287	18.00	5.0	1.30							93	244	15.33	5.0			1.35							103	221	13.93	4.9	1.40							118	196	12.07	4.9	1.50							136	170	10.50	4.8	1.55	GS59 GSF59 GSA59 GSAF59	4P																																																																																																																																																																																																																																																																																								
75	214	19.06	5.7	1.45	GSAF69	14	1395	99.26	28	1.45	79	208	18.00		5.7	1.50			17	1224	86.15	28	1.50	93	183	15.33	5.6	1.60		17	1314	81.76	28	1.40	103			165	13.93	5.5	1.65		19	1107	77.14	28	1.55	118	144	12.07	5.4		1.70			20	1134	70.43	28	1.50	136	125	10.50	5.3	1.80		22	1044	64.27	28	1.55	106	166	13.50	4.4	1.00	GS59	25	927	57.00	28	1.65	GS79 GSF79 GSA79 GSAF79	4P	124	141	11.53	4.4	1.15	GSF59	30	783	47.91	28	1.75			132	131	10.80	4.3	1.20	GSA59	32	720	44.03	28	1.80	157	112			9.10	4.2	1.40	GSAF59	37	644	39.10	28	1.90	44	527	32.38			10	1.50		41	576	34.96	28	1.95	50	464	28.41	10	1.55		17	1161			85.22	11	1.05	GS79 GSF79 GSA79 GSAF79	4P	57	410	25.07	9.3	1.65		19	1035	75.20			12	1.15	60	386	23.87	8.2	1.65		21	918	66.67			12	1.20	68			341	20.89	8.2	1.75		23	999			63.03	10	1.15	76	306			18.82	8.0	1.80		25	792	56.92	11	1.30			87	266	16.51	8.0	1.90		27	855	53.87	10	1.25	98	237	14.57	7.8	2.00		29	792	49.38	10	1.25	111	209	12.92	7.7	2.10		33	693	43.33	10			1.35	130	179	11.03	7.5	2.20		35	662	41.07	10	1.35	41	536	34.80	6.0			0.85		40	581	35.94	10	1.45	GS79 GSF79 GSA79 GSAF79	4P	48	459	29.63	6.0	1.00		44			527	32.38	10	1.50	53	419	26.93	6.0	1.10		50	464	28.41			10	1.55	61	365	23.33	6.0	1.15				57	410	25.07	9.3	1.65	66	344	21.67	5.2	1.20		60	386	23.87	8.2	1.65			75	302	19.06	5.0	1.25		68	341	20.89	8.2	1.75	79	287	18.00	5.0	1.30		76	306	18.82	8.0	1.80	93	244	15.33	5.0	1.35		87	266	16.51	8.0	1.90	103	221	13.93			4.9	1.40		98	237	14.57	7.8	2.00	118	196	12.07	4.9	1.50				111	209	12.92	7.7	2.10	136	170	10.50	4.8	1.55		130	179	11.03	7.5	2.20	GS69 GSF69 GSA69 GSAF69	4P	132	179	10.80	3.8	0.90			GS59	41	536	34.80	6.0	0.85	157	154	9.10	3.8	1.00	GSF59	48			459	29.63	6.0	1.00								GSA59	53	419	26.93	6.0	1.10						GSAF59	61			365	23.33	6.0	1.15							66	344	21.67	5.2	1.20							75	302	19.06	5.0	1.25							79	287	18.00	5.0	1.30									93	244	15.33	5.0	1.35									103	221	13.93	4.9	1.40							118	196	12.07	4.9	1.50							136	170	10.50	4.8	1.55	GS59 GSF59 GSA59 GSAF59	4P																																																																																																																																																																																																																																																																																													
79	208	18.00	5.7	1.50		17	1224	86.15	28	1.50	93	183	15.33		5.6	1.60			17	1314	81.76	28	1.40	103	165	13.93	5.5	1.65		19	1107	77.14	28	1.55	118			144	12.07	5.4	1.70		20	1134	70.43	28	1.50	136	125	10.50	5.3	1.80		22	1044	64.27	28	1.55	106	166	13.50	4.4	1.00	GS59	25	927	57.00	28	1.65	GS79 GSF79 GSA79 GSAF79	4P	124	141	11.53	4.4	1.15	GSF59	30	783	47.91	28	1.75			132	131	10.80	4.3	1.20	GSA59	32	720	44.03	28	1.80			157	112	9.10	4.2	1.40	GSAF59	37	644	39.10	28	1.90	44	527			32.38	10	1.50		41	576	34.96	28	1.95	50	464	28.41			10	1.55		17	1161	85.22	11	1.05	GS79 GSF79 GSA79 GSAF79	4P	57	410	25.07	9.3	1.65				19	1035	75.20			12	1.15	60	386	23.87	8.2	1.65		21			918	66.67	12	1.20	68	341	20.89	8.2	1.75		23			999	63.03	10			1.15	76	306	18.82	8.0	1.80				25	792	56.92	11	1.30	87	266	16.51	8.0	1.90		27	855	53.87	10	1.25			98	237	14.57	7.8	2.00		29	792	49.38	10	1.25	111	209	12.92	7.7	2.10		33	693	43.33	10	1.35	130	179	11.03	7.5	2.20		35	662	41.07	10			1.35	41	536	34.80	6.0	0.85		40	581	35.94	10	1.45	GS79 GSF79 GSA79 GSAF79	4P	48	459	29.63	6.0	1.00		44	527	32.38	10	1.50			53	419	26.93	6.0	1.10		50			464	28.41	10	1.55	61	365	23.33	6.0	1.15		57	410	25.07			9.3	1.65	66	344	21.67	5.2	1.20				60	386	23.87	8.2	1.65	75	302	19.06	5.0	1.25		68	341	20.89	8.2	1.75			79	287	18.00	5.0	1.30		76	306	18.82	8.0	1.80	93	244	15.33	5.0	1.35		87	266	16.51	8.0	1.90	103	221	13.93	4.9	1.40		98	237	14.57	7.8	2.00	118	196	12.07			4.9	1.50		111	209	12.92	7.7	2.10	136	170	10.50	4.8	1.55		130	179	11.03	7.5	2.20	GS69 GSF69 GSA69 GSAF69	4P	132	179	10.80	3.8	0.90	GS59	41	536	34.80	6.0	0.85			157	154	9.10	3.8	1.00			GSF59	48	459	29.63	6.0	1.00						GSA59	53			419	26.93	6.0	1.10								GSAF59	61	365	23.33	6.0	1.15							66			344	21.67	5.2	1.20							75	302	19.06	5.0	1.25							79	287	18.00	5.0	1.30							93	244	15.33	5.0	1.35									103	221	13.93	4.9	1.40							118	196	12.07	4.9	1.50							136	170	10.50	4.8	1.55	GS59 GSF59 GSA59 GSAF59	4P																																																																																																																																																																																																																																																																																																										
93	183	15.33	5.6	1.60		17	1314	81.76	28	1.40	103	165	13.93		5.5	1.65			19	1107	77.14	28	1.55	118	144	12.07	5.4	1.70		20	1134	70.43	28	1.50	136	125	10.50	5.3	1.80		22	1044	64.27	28	1.55	106	166	13.50	4.4	1.00	GS59	25	927	57.00	28	1.65	GS79 GSF79 GSA79 GSAF79	4P	124	141	11.53	4.4	1.15	GSF59	30	783	47.91	28	1.75			132	131	10.80	4.3	1.20	GSA59	32	720	44.03	28	1.80			157	112	9.10	4.2	1.40	GSAF59	37	644	39.10	28	1.90			44	527	32.38	10	1.50		41	576	34.96	28	1.95	50	464			28.41	10	1.55		17	1161	85.22	11	1.05	GS79 GSF79 GSA79 GSAF79	4P	57			410	25.07	9.3	1.65		19	1035	75.20			12	1.15	60	386	23.87	8.2			1.65		21			918	66.67	12	1.20	68	341	20.89	8.2	1.75				23	999	63.03	10	1.15	76	306	18.82	8.0	1.80				25	792	56.92	11	1.30	87	266	16.51	8.0	1.90				27	855	53.87	10	1.25	98	237	14.57	7.8	2.00		29	792	49.38	10	1.25			111	209	12.92	7.7	2.10		33	693	43.33	10	1.35	130	179	11.03	7.5	2.20		35	662	41.07	10	1.35	41	536	34.80	6.0	0.85		40	581	35.94	10	1.45	GS79 GSF79 GSA79 GSAF79	4P	48	459	29.63	6.0	1.00		44	527	32.38	10	1.50			53	419	26.93	6.0	1.10		50	464	28.41	10	1.55			61	365	23.33	6.0	1.15		57			410	25.07	9.3	1.65	66	344	21.67	5.2	1.20		60	386	23.87			8.2	1.65	75	302	19.06	5.0	1.25				68	341	20.89	8.2	1.75	79	287	18.00	5.0	1.30		76	306	18.82	8.0	1.80			93	244	15.33	5.0	1.35		87	266	16.51	8.0	1.90	103	221	13.93	4.9	1.40		98	237	14.57	7.8	2.00	118	196	12.07	4.9	1.50		111	209	12.92	7.7	2.10	136	170	10.50	4.8	1.55		130	179	11.03	7.5	2.20	GS69 GSF69 GSA69 GSAF69	4P	132	179	10.80	3.8	0.90	GS59	41	536	34.80	6.0	0.85			157	154	9.10	3.8	1.00	GSF59	48	459	29.63	6.0	1.00										GSA59	53	419	26.93	6.0	1.10						GSAF59	61			365	23.33	6.0	1.15									66	344	21.67	5.2	1.20							75			302	19.06	5.0	1.25							79	287	18.00	5.0	1.30							93	244	15.33	5.0	1.35							103	221	13.93	4.9	1.40							118	196	12.07	4.9	1.50							136	170	10.50	4.8	1.55	GS59 GSF59 GSA59 GSAF59	4P																																																																																																																																																																																																																																																																																																																							
103	165	13.93	5.5	1.65		19	1107	77.14	28	1.55	118	144	12.07	5.4	1.70		20	1134	70.43	28	1.50	136	125	10.50	5.3	1.80		22	1044	64.27	28	1.55	106	166	13.50	4.4	1.00	GS59	25	927	57.00	28	1.65	GS79 GSF79 GSA79 GSAF79	4P	124	141	11.53	4.4	1.15	GSF59	30	783	47.91	28	1.75			132	131	10.80	4.3	1.20	GSA59	32	720	44.03	28	1.80			157	112	9.10	4.2	1.40	GSAF59	37	644	39.10	28	1.90			44	527	32.38	10	1.50		41	576	34.96	28	1.95			50	464	28.41	10	1.55		17	1161	85.22	11	1.05	GS79 GSF79 GSA79 GSAF79	4P			57	410	25.07	9.3	1.65		19	1035	75.20			12			1.15	60	386	23.87	8.2	1.65		21			918	66.67	12	1.20	68	341			20.89	8.2	1.75				23	999	63.03	10	1.15	76	306	18.82			8.0	1.80		25	792	56.92	11	1.30	87	266	16.51			8.0	1.90		27	855	53.87	10	1.25	98	237	14.57	7.8			2.00		29	792	49.38	10	1.25	111	209	12.92	7.7	2.10		33	693	43.33			10	1.35	130	179	11.03	7.5	2.20		35	662	41.07	10	1.35	41	536	34.80	6.0	0.85		40	581	35.94	10	1.45	GS79 GSF79 GSA79 GSAF79	4P	48	459	29.63	6.0	1.00		44			527	32.38	10	1.50	53	419	26.93	6.0	1.10		50			464	28.41	10	1.55	61	365	23.33	6.0	1.15		57			410	25.07	9.3	1.65	66	344	21.67			5.2	1.20		60	386	23.87	8.2	1.65	75	302	19.06	5.0	1.25				68	341	20.89	8.2	1.75	79	287			18.00	5.0	1.30		76	306	18.82	8.0	1.80	93	244	15.33	5.0	1.35		87			266	16.51	8.0	1.90	103	221	13.93	4.9	1.40		98	237	14.57	7.8	2.00	118	196	12.07	4.9	1.50		111	209	12.92	7.7	2.10	136	170	10.50	4.8	1.55		130	179	11.03	7.5	2.20	GS69 GSF69 GSA69 GSAF69	4P	132	179	10.80	3.8	0.90			GS59	41	536	34.80	6.0	0.85	157	154	9.10	3.8	1.00			GSF59	48	459	29.63	6.0	1.00								GSA59	53	419	26.93	6.0			1.10						GSAF59	61	365	23.33	6.0	1.15									66			344	21.67	5.2	1.20							75	302	19.06	5.0	1.25									79	287	18.00	5.0	1.30							93	244	15.33	5.0	1.35							103	221	13.93	4.9	1.40							118	196	12.07	4.9	1.50							136	170	10.50	4.8	1.55	GS59 GSF59 GSA59 GSAF59	4P																																																																																																																																																																																																																																																																																																																												
118	144	12.07	5.4	1.70		20	1134	70.43	28	1.50	136	125	10.50	5.3	1.80		22	1044	64.27	28	1.55	106	166	13.50	4.4	1.00	GS59	25	927	57.00	28	1.65	GS79 GSF79 GSA79 GSAF79	4P	124	141	11.53	4.4	1.15	GSF59	30	783	47.91			28	1.75	132	131	10.80	4.3	1.20	GSA59	32	720	44.03			28	1.80	157	112	9.10	4.2	1.40	GSAF59	37	644	39.10			28	1.90	44	527	32.38	10	1.50		41	576	34.96			28	1.95	50	464	28.41	10	1.55		17	1161	85.22			11	1.05	GS79 GSF79 GSA79 GSAF79	4P	57	410	25.07	9.3	1.65		19					1035	75.20	12	1.15	60	386	23.87	8.2	1.65						21	918	66.67	12	1.20	68	341	20.89			8.2	1.75		23	999	63.03	10	1.15	76	306	18.82			8.0	1.80		25	792	56.92	11	1.30	87			266	16.51	8.0	1.90		27	855	53.87	10	1.25	98			237	14.57	7.8	2.00		29	792	49.38	10	1.25	111	209			12.92	7.7	2.10		33	693	43.33	10	1.35	130	179	11.03	7.5	2.20		35	662	41.07	10	1.35	41	536	34.80	6.0	0.85		40	581	35.94	10	1.45	GS79 GSF79 GSA79 GSAF79	4P	48	459	29.63	6.0	1.00		44	527	32.38			10	1.50	53	419	26.93	6.0	1.10				50	464	28.41	10	1.55	61	365	23.33	6.0	1.15				57	410	25.07	9.3	1.65	66	344	21.67	5.2	1.20				60	386	23.87	8.2	1.65	75			302	19.06	5.0	1.25		68	341	20.89	8.2	1.75	79	287	18.00			5.0	1.30		76	306	18.82	8.0	1.80			93	244	15.33	5.0	1.35		87	266	16.51	8.0	1.90	103	221	13.93	4.9	1.40		98	237	14.57	7.8	2.00	118	196	12.07	4.9	1.50		111	209	12.92	7.7	2.10	136	170	10.50	4.8	1.55		130	179	11.03	7.5	2.20	GS69 GSF69 GSA69 GSAF69	4P	132	179	10.80	3.8	0.90	GS59	41	536	34.80			6.0	0.85	157	154	9.10			3.8	1.00	GSF59	48	459	29.63	6.0	1.00								GSA59	53	419	26.93	6.0	1.10								GSAF59	61	365			23.33	6.0	1.15							66	344	21.67	5.2			1.20									75	302	19.06	5.0	1.25							79	287	18.00	5.0	1.30							93	244	15.33	5.0	1.35							103	221	13.93	4.9	1.40							118	196	12.07	4.9	1.50							136	170	10.50	4.8	1.55	GS59 GSF59 GSA59 GSAF59	4P																																																																																																																																																																																																																																																																																																																																							
136	125	10.50	5.3	1.80		22	1044	64.27	28	1.55	106	166	13.50	4.4	1.00	GS59	25	927	57.00	28	1.65	GS79 GSF79 GSA79 GSAF79	4P	124	141	11.53	4.4	1.15	GSF59	30	783	47.91			28	1.75	132	131	10.80	4.3	1.20	GSA59	32			720	44.03	28	1.80	157	112	9.10	4.2	1.40	GSAF59	37			644	39.10	28	1.90	44	527	32.38	10	1.50		41			576	34.96	28	1.95	50	464	28.41	10	1.55		17			1161	85.22	11	1.05	GS79 GSF79 GSA79 GSAF79	4P	57	410	25.07	9.3	1.65				19			1035	75.20	12	1.15	60	386	23.87					8.2	1.65		21	918	66.67	12	1.20	68			341	20.89	8.2	1.75		23	999	63.03	10	1.15	76			306	18.82	8.0	1.80		25	792	56.92	11	1.30	87			266	16.51	8.0	1.90		27	855	53.87	10			1.25	98	237	14.57	7.8	2.00		29	792	49.38	10			1.25	111	209	12.92	7.7	2.10		33	693	43.33	10	1.35	130	179	11.03	7.5	2.20		35	662	41.07	10	1.35	41	536	34.80	6.0	0.85		40	581	35.94	10	1.45	GS79 GSF79 GSA79 GSAF79	4P	48	459	29.63	6.0	1.00		44	527	32.38			10	1.50	53	419	26.93	6.0	1.10		50			464	28.41	10	1.55	61	365	23.33			6.0	1.15		57	410	25.07	9.3	1.65	66	344	21.67			5.2	1.20		60	386	23.87	8.2	1.65	75	302	19.06			5.0	1.25		68	341	20.89	8.2			1.75	79	287	18.00	5.0	1.30		76	306	18.82	8.0	1.80	93			244	15.33	5.0	1.35		87	266	16.51	8.0	1.90	103	221	13.93	4.9	1.40		98	237	14.57	7.8	2.00	118	196	12.07	4.9	1.50		111	209	12.92	7.7	2.10	136	170	10.50	4.8	1.55		130	179	11.03	7.5	2.20	GS69 GSF69 GSA69 GSAF69	4P	132	179	10.80	3.8	0.90	GS59	41	536	34.80			6.0	0.85	157	154	9.10	3.8	1.00	GSF59	48			459	29.63	6.0	1.00								GSA59	53	419	26.93	6.0	1.10								GSAF59	61	365	23.33	6.0	1.15											66	344	21.67	5.2	1.20							75	302			19.06	5.0	1.25							79	287	18.00	5.0	1.30							93	244	15.33	5.0	1.35							103	221	13.93	4.9	1.40							118	196	12.07	4.9	1.50							136	170	10.50	4.8	1.55	GS59 GSF59 GSA59 GSAF59	4P																																																																																																																																																																																																																																																																																																																																																		
106	166	13.50	4.4	1.00	GS59	25	927	57.00	28	1.65	GS79 GSF79 GSA79 GSAF79	4P																																																																																																																																																																																																																																																																																																																																																																																																																																																																																																																																																																																																																																																																																																																																																																																																																														
124	141	11.53	4.4	1.15	GSF59	30	783	47.91	28	1.75			132	131	10.80	4.3	1.20	GSA59	32	720	44.03			28	1.80	157	112	9.10	4.2	1.40	GSAF59	37			644	39.10	28	1.90	44	527	32.38	10	1.50				41	576	34.96	28	1.95	50	464	28.41	10	1.55				17	1161	85.22	11	1.05	GS79 GSF79 GSA79 GSAF79	4P	57	410	25.07			9.3	1.65		19	1035	75.20	12	1.15	60	386	23.87			8.2	1.65		21			918	66.67	12	1.20	68	341	20.89	8.2	1.75				23	999	63.03	10	1.15	76			306	18.82	8.0	1.80		25	792	56.92	11	1.30	87			266	16.51	8.0	1.90		27	855	53.87	10	1.25	98			237	14.57	7.8	2.00		29	792	49.38	10	1.25	111			209	12.92	7.7	2.10		33	693	43.33	10	1.35	130	179	11.03	7.5	2.20		35	662	41.07	10	1.35	41	536	34.80	6.0	0.85		40	581	35.94	10	1.45	GS79 GSF79 GSA79 GSAF79	4P	48	459	29.63	6.0	1.00		44	527	32.38	10	1.50	53	419	26.93	6.0	1.10		50	464	28.41	10	1.55	61	365			23.33	6.0	1.15		57	410	25.07	9.3	1.65			66	344	21.67	5.2	1.20		60	386	23.87			8.2	1.65	75	302	19.06	5.0	1.25				68	341	20.89	8.2	1.75	79	287	18.00	5.0	1.30				76	306	18.82	8.0	1.80	93	244	15.33	5.0	1.35				87	266	16.51	8.0	1.90	103	221	13.93	4.9	1.40		98	237	14.57	7.8	2.00	118	196	12.07	4.9	1.50		111	209	12.92	7.7	2.10	136	170	10.50	4.8	1.55		130	179	11.03	7.5	2.20	GS69 GSF69 GSA69 GSAF69	4P	132	179	10.80	3.8	0.90	GS59	41	536	34.80	6.0	0.85	157	154	9.10	3.8	1.00	GSF59	48	459	29.63	6.0	1.00								GSA59	53	419	26.93	6.0	1.10								GSAF59	61	365	23.33	6.0	1.15											66	344	21.67	5.2	1.20									75	302	19.06	5.0	1.25									79	287	18.00	5.0	1.30							93	244	15.33	5.0	1.35							103	221	13.93	4.9	1.40							118	196	12.07	4.9	1.50							136	170	10.50	4.8	1.55	GS59 GSF59 GSA59 GSAF59	4P																																																																																																																																																																																																																																																																																																																																																																																
132	131	10.80	4.3	1.20	GSA59	32	720	44.03	28	1.80			157	112	9.10	4.2	1.40	GSAF59	37	644	39.10			28	1.90	44	527	32.38	10	1.50		41			576	34.96	28	1.95	50	464	28.41	10	1.55				17	1161	85.22	11	1.05	GS79 GSF79 GSA79 GSAF79	4P	57	410	25.07			9.3	1.65		19	1035	75.20			12	1.15	60			386	23.87	8.2	1.65		21	918	66.67	12	1.20	68	341	20.89	8.2	1.75		23			999	63.03	10	1.15	76	306	18.82	8.0	1.80				25	792	56.92	11	1.30	87			266	16.51	8.0	1.90		27	855	53.87	10	1.25	98			237	14.57	7.8	2.00		29	792	49.38	10	1.25	111			209	12.92	7.7	2.10		33	693	43.33	10	1.35	130	179	11.03	7.5	2.20		35	662	41.07	10	1.35	41	536	34.80	6.0	0.85		40	581	35.94	10	1.45	GS79 GSF79 GSA79 GSAF79	4P	48	459	29.63	6.0	1.00		44	527	32.38	10	1.50			53	419	26.93	6.0	1.10		50	464	28.41	10	1.55	61	365	23.33	6.0	1.15		57	410	25.07	9.3	1.65	66	344			21.67	5.2	1.20		60	386	23.87	8.2	1.65			75	302	19.06	5.0	1.25		68	341	20.89			8.2	1.75	79	287	18.00	5.0	1.30				76	306	18.82	8.0	1.80	93	244	15.33	5.0	1.35				87	266	16.51	8.0	1.90	103	221	13.93	4.9	1.40		98	237	14.57	7.8	2.00	118	196	12.07	4.9	1.50		111	209	12.92	7.7	2.10	136	170	10.50	4.8	1.55		130	179	11.03	7.5	2.20	GS69 GSF69 GSA69 GSAF69	4P	132	179	10.80	3.8	0.90	GS59	41	536	34.80	6.0	0.85			157	154	9.10	3.8	1.00	GSF59	48	459	29.63	6.0	1.00						GSA59	53	419	26.93	6.0	1.10								GSAF59	61	365	23.33	6.0	1.15									66	344	21.67	5.2	1.20											75	302	19.06	5.0	1.25									79	287	18.00	5.0	1.30							93	244	15.33	5.0	1.35							103	221	13.93	4.9	1.40							118	196	12.07	4.9	1.50							136	170	10.50	4.8	1.55	GS59 GSF59 GSA59 GSAF59	4P																																																																																																																																																																																																																																																																																																																																																																																													
157	112	9.10	4.2	1.40	GSAF59	37	644	39.10	28	1.90			44	527	32.38	10	1.50		41	576	34.96			28	1.95	50	464	28.41	10	1.55		17			1161	85.22	11	1.05	GS79 GSF79 GSA79 GSAF79	4P	57	410	25.07			9.3	1.65		19	1035	75.20			12	1.15	60			386	23.87	8.2	1.65		21			918	66.67	12	1.20	68	341	20.89	8.2	1.75		23	999	63.03	10	1.15	76	306	18.82	8.0	1.80		25			792	56.92	11	1.30	87	266	16.51	8.0	1.90				27	855	53.87	10	1.25	98			237	14.57	7.8	2.00		29	792	49.38	10	1.25	111			209	12.92	7.7	2.10		33	693	43.33	10	1.35	130	179	11.03	7.5	2.20		35	662	41.07	10	1.35	41	536	34.80	6.0	0.85		40	581	35.94	10	1.45	GS79 GSF79 GSA79 GSAF79	4P	48	459	29.63	6.0	1.00		44	527	32.38	10	1.50			53	419	26.93	6.0	1.10		50	464	28.41	10	1.55			61	365	23.33	6.0	1.15		57	410	25.07	9.3	1.65	66	344	21.67	5.2	1.20		60	386	23.87	8.2	1.65	75	302			19.06	5.0	1.25		68	341	20.89	8.2	1.75			79	287	18.00	5.0	1.30		76	306	18.82			8.0	1.80	93	244	15.33	5.0	1.35				87	266	16.51	8.0	1.90	103	221	13.93	4.9	1.40		98	237	14.57	7.8	2.00	118	196	12.07	4.9	1.50		111	209	12.92	7.7	2.10	136	170	10.50	4.8	1.55		130	179	11.03	7.5	2.20	GS69 GSF69 GSA69 GSAF69	4P	132	179	10.80	3.8	0.90	GS59	41	536	34.80	6.0	0.85			157	154	9.10	3.8	1.00	GSF59	48	459	29.63	6.0	1.00								GSA59	53	419	26.93	6.0	1.10						GSAF59	61	365	23.33	6.0	1.15									66	344	21.67	5.2	1.20									75	302	19.06	5.0	1.25											79	287	18.00	5.0	1.30							93	244	15.33	5.0	1.35							103	221	13.93	4.9	1.40							118	196	12.07	4.9	1.50							136	170	10.50	4.8	1.55	GS59 GSF59 GSA59 GSAF59	4P																																																																																																																																																																																																																																																																																																																																																																																																										
44	527	32.38	10	1.50		41	576	34.96	28	1.95			50	464	28.41	10	1.55		17	1161	85.22			11	1.05	GS79 GSF79 GSA79 GSAF79	4P	57	410	25.07	9.3	1.65				19	1035	75.20			12	1.15	60			386	23.87	8.2	1.65		21			918	66.67	12	1.20	68	341	20.89	8.2	1.75		23			999	63.03	10	1.15	76	306	18.82	8.0	1.80		25	792	56.92	11	1.30	87	266	16.51	8.0	1.90		27			855	53.87	10	1.25	98	237	14.57	7.8	2.00				29	792	49.38	10	1.25	111			209	12.92	7.7	2.10		33	693	43.33	10	1.35	130	179	11.03	7.5	2.20		35	662	41.07	10	1.35	41	536	34.80	6.0	0.85		40	581	35.94	10	1.45	GS79 GSF79 GSA79 GSAF79	4P	48	459	29.63	6.0	1.00		44	527	32.38	10	1.50			53	419	26.93	6.0	1.10		50	464	28.41	10	1.55			61	365	23.33	6.0	1.15		57	410	25.07	9.3	1.65			66	344	21.67	5.2	1.20		60	386	23.87	8.2	1.65	75	302	19.06	5.0	1.25		68	341	20.89	8.2	1.75	79	287			18.00	5.0	1.30		76	306	18.82	8.0	1.80			93	244	15.33	5.0	1.35		87	266	16.51			8.0	1.90	103	221	13.93	4.9	1.40		98	237	14.57	7.8	2.00	118	196	12.07	4.9	1.50		111	209	12.92	7.7	2.10	136	170	10.50	4.8	1.55		130	179	11.03	7.5	2.20	GS69 GSF69 GSA69 GSAF69	4P	132	179	10.80	3.8	0.90	GS59	41	536	34.80	6.0	0.85			157	154	9.10	3.8	1.00	GSF59	48	459	29.63	6.0	1.00								GSA59	53	419	26.93	6.0	1.10								GSAF59	61	365	23.33	6.0	1.15							66	344	21.67	5.2	1.20									75	302	19.06	5.0	1.25									79	287	18.00	5.0	1.30									93	244	15.33	5.0	1.35							103	221	13.93	4.9	1.40							118	196	12.07	4.9	1.50							136	170	10.50	4.8	1.55	GS59 GSF59 GSA59 GSAF59	4P																																																																																																																																																																																																																																																																																																																																																																																																																							
50	464	28.41	10	1.55		17	1161	85.22	11	1.05			GS79 GSF79 GSA79 GSAF79	4P																																																																																																																																																																																																																																																																																																																																																																																																																																																																																																																																																																																																																																																																																																																																																																																																																												
57	410	25.07	9.3	1.65		19	1035	75.20	12	1.15					60	386	23.87	8.2	1.65		21			918	66.67			12	1.20	68	341	20.89	8.2	1.75		23	999	63.03			10	1.15	76	306	18.82	8.0	1.80		25	792	56.92			11	1.30	87	266	16.51	8.0	1.90		27	855	53.87			10	1.25	98	237	14.57	7.8	2.00		29	792	49.38	10	1.25	111	209	12.92	7.7	2.10		33	693	43.33			10	1.35	130	179	11.03	7.5	2.20		35	662	41.07	10	1.35	41	536	34.80	6.0	0.85		40	581	35.94	10	1.45	GS79 GSF79 GSA79 GSAF79	4P	48	459	29.63	6.0	1.00		44	527	32.38	10	1.50	53	419	26.93	6.0	1.10		50	464	28.41	10	1.55	61	365	23.33	6.0			1.15		57	410	25.07	9.3	1.65	66	344	21.67	5.2			1.20		60	386	23.87	8.2	1.65	75	302	19.06	5.0			1.25		68	341	20.89	8.2	1.75	79	287	18.00	5.0			1.30		76	306	18.82	8.0	1.80	93	244	15.33	5.0	1.35		87	266	16.51	8.0	1.90	103	221	13.93	4.9	1.40				98	237	14.57	7.8	2.00	118	196	12.07	4.9	1.50		111	209	12.92	7.7	2.10	136	170	10.50	4.8	1.55		130	179	11.03	7.5	2.20	GS69 GSF69 GSA69 GSAF69	4P	132	179	10.80	3.8	0.90	GS59	41	536	34.80	6.0	0.85	157	154	9.10	3.8	1.00	GSF59	48	459	29.63	6.0	1.00						GSA59			53	419	26.93	6.0	1.10						GSAF59			61	365	23.33	6.0	1.15									66	344	21.67	5.2	1.20									75	302	19.06	5.0	1.25							79	287	18.00	5.0	1.30							93	244	15.33	5.0			1.35							103	221	13.93	4.9	1.40							118	196	12.07	4.9	1.50							136	170	10.50	4.8	1.55	GS59 GSF59 GSA59 GSAF59	4P																																																																																																																																																																																																																																																																																																																																																																																																																																																							
60	386	23.87	8.2	1.65		21	918	66.67	12	1.20					68	341	20.89	8.2	1.75		23	999	63.03	10	1.15			76	306	18.82	8.0	1.80		25	792	56.92	11	1.30			87	266	16.51	8.0	1.90		27	855	53.87	10	1.25			98	237	14.57	7.8	2.00		29	792	49.38	10	1.25			111	209	12.92	7.7	2.10		33	693	43.33	10	1.35	130	179	11.03	7.5	2.20		35	662	41.07	10	1.35	41	536	34.80	6.0	0.85		40	581	35.94	10	1.45	GS79 GSF79 GSA79 GSAF79	4P	48	459	29.63	6.0	1.00		44	527	32.38	10	1.50	53	419			26.93	6.0	1.10		50	464	28.41	10	1.55	61	365	23.33	6.0	1.15		57	410	25.07	9.3	1.65	66	344	21.67	5.2	1.20				60	386	23.87	8.2	1.65	75	302	19.06	5.0	1.25				68	341	20.89	8.2	1.75	79	287	18.00	5.0	1.30				76	306	18.82	8.0	1.80	93	244	15.33	5.0	1.35				87	266	16.51	8.0	1.90	103	221	13.93	4.9	1.40		98	237	14.57	7.8	2.00	118	196	12.07	4.9	1.50		111	209	12.92	7.7	2.10	136	170	10.50	4.8	1.55		130	179	11.03	7.5	2.20	GS69 GSF69 GSA69 GSAF69	4P	132	179	10.80	3.8	0.90	GS59	41	536	34.80	6.0	0.85	157	154			9.10	3.8	1.00	GSF59	48	459	29.63	6.0	1.00						GSA59	53	419	26.93	6.0	1.10						GSAF59	61	365			23.33	6.0	1.15							66	344			21.67	5.2	1.20							75	302			19.06	5.0	1.25							79	287			18.00	5.0	1.30							93	244	15.33	5.0	1.35							103	221	13.93	4.9	1.40							118	196	12.07	4.9	1.50							136	170	10.50	4.8	1.55	GS59 GSF59 GSA59 GSAF59	4P																																																																																																																																																																																																																																																																																																																																																																																																																																																																						
68	341	20.89	8.2	1.75		23	999	63.03	10	1.15	76	306			18.82	8.0	1.80		25	792	56.92	11	1.30	87	266			16.51	8.0	1.90		27	855	53.87	10	1.25	98	237			14.57	7.8	2.00		29	792	49.38	10	1.25	111	209			12.92	7.7	2.10		33	693	43.33	10	1.35	130	179			11.03	7.5	2.20		35	662	41.07	10	1.35	41	536	34.80	6.0	0.85		40	581	35.94	10	1.45	GS79 GSF79 GSA79 GSAF79	4P	48	459	29.63	6.0	1.00		44	527	32.38	10	1.50			53	419	26.93	6.0	1.10		50	464	28.41	10	1.55	61	365			23.33	6.0	1.15		57	410	25.07	9.3	1.65	66	344	21.67	5.2	1.20		60	386	23.87	8.2	1.65	75	302	19.06	5.0	1.25				68	341	20.89	8.2	1.75	79	287	18.00	5.0	1.30				76	306	18.82	8.0	1.80	93	244	15.33	5.0	1.35				87	266	16.51	8.0	1.90	103	221	13.93	4.9	1.40				98	237	14.57	7.8	2.00	118	196	12.07	4.9	1.50		111	209	12.92	7.7	2.10	136	170	10.50	4.8	1.55		130	179	11.03	7.5	2.20	GS69 GSF69 GSA69 GSAF69	4P	132	179	10.80	3.8	0.90	GS59	41	536	34.80			6.0	0.85	157	154	9.10	3.8	1.00	GSF59	48	459	29.63	6.0	1.00								GSA59	53	419	26.93	6.0	1.10						GSAF59	61	365	23.33	6.0	1.15									66	344	21.67	5.2	1.20									75	302	19.06	5.0	1.25									79	287	18.00	5.0	1.30									93	244	15.33	5.0	1.35							103	221	13.93	4.9	1.40							118	196	12.07	4.9	1.50							136	170	10.50	4.8	1.55	GS59 GSF59 GSA59 GSAF59	4P																																																																																																																																																																																																																																																																																																																																																																																																																																																																															
76	306	18.82	8.0	1.80		25	792	56.92	11	1.30	87	266			16.51	8.0	1.90		27	855	53.87	10	1.25	98	237			14.57	7.8	2.00		29	792	49.38	10	1.25	111	209			12.92	7.7	2.10		33	693	43.33	10	1.35	130	179			11.03	7.5	2.20		35	662	41.07	10	1.35	41	536	34.80	6.0	0.85		40	581	35.94	10	1.45	GS79 GSF79 GSA79 GSAF79	4P	48	459	29.63	6.0	1.00		44	527	32.38	10	1.50			53	419	26.93	6.0	1.10		50	464	28.41	10	1.55			61	365	23.33	6.0	1.15		57	410	25.07	9.3	1.65	66	344			21.67	5.2	1.20		60	386	23.87	8.2	1.65	75	302	19.06	5.0	1.25		68	341	20.89	8.2	1.75	79	287	18.00	5.0	1.30				76	306	18.82	8.0	1.80	93	244	15.33	5.0	1.35				87	266	16.51	8.0	1.90	103	221	13.93	4.9	1.40				98	237	14.57	7.8	2.00	118	196	12.07	4.9	1.50		111	209	12.92	7.7	2.10	136	170	10.50	4.8	1.55		130	179	11.03	7.5	2.20	GS69 GSF69 GSA69 GSAF69	4P	132	179	10.80	3.8	0.90	GS59	41	536	34.80	6.0	0.85			157	154	9.10	3.8	1.00	GSF59	48	459	29.63			6.0	1.00						GSA59	53	419	26.93	6.0	1.10								GSAF59	61	365	23.33	6.0	1.15							66	344	21.67	5.2	1.20									75	302	19.06	5.0	1.25									79	287	18.00	5.0	1.30									93	244	15.33	5.0	1.35							103	221	13.93	4.9	1.40							118	196	12.07	4.9	1.50							136	170	10.50	4.8	1.55	GS59 GSF59 GSA59 GSAF59	4P																																																																																																																																																																																																																																																																																																																																																																																																																																																																																												
87	266	16.51	8.0	1.90		27	855	53.87	10	1.25	98	237			14.57	7.8	2.00		29	792	49.38	10	1.25	111	209			12.92	7.7	2.10		33	693	43.33	10	1.35	130	179			11.03	7.5	2.20		35	662	41.07	10	1.35	41	536	34.80	6.0	0.85		40	581	35.94	10	1.45	GS79 GSF79 GSA79 GSAF79	4P	48	459	29.63	6.0	1.00		44	527	32.38	10	1.50			53	419	26.93	6.0	1.10		50	464	28.41	10	1.55			61	365	23.33	6.0	1.15		57	410	25.07	9.3	1.65			66	344	21.67	5.2	1.20		60	386	23.87	8.2	1.65	75	302			19.06	5.0	1.25		68	341	20.89	8.2	1.75	79	287	18.00	5.0	1.30		76	306	18.82	8.0	1.80	93	244	15.33	5.0	1.35				87	266	16.51	8.0	1.90	103	221	13.93	4.9	1.40				98	237	14.57	7.8	2.00	118	196	12.07	4.9	1.50		111	209	12.92	7.7	2.10	136	170	10.50	4.8	1.55		130	179	11.03	7.5	2.20	GS69 GSF69 GSA69 GSAF69	4P	132	179	10.80	3.8	0.90	GS59	41	536	34.80	6.0	0.85			157	154	9.10	3.8	1.00	GSF59	48	459	29.63	6.0	1.00								GSA59	53	419	26.93			6.0	1.10						GSAF59	61	365	23.33	6.0	1.15									66	344	21.67	5.2	1.20							75	302	19.06	5.0	1.25									79	287	18.00	5.0	1.30									93	244	15.33	5.0	1.35							103	221	13.93	4.9	1.40							118	196	12.07	4.9	1.50							136	170	10.50	4.8	1.55	GS59 GSF59 GSA59 GSAF59	4P																																																																																																																																																																																																																																																																																																																																																																																																																																																																																																									
98	237	14.57	7.8	2.00		29	792	49.38	10	1.25	111	209			12.92	7.7	2.10		33	693	43.33	10	1.35	130	179			11.03	7.5	2.20		35	662	41.07	10	1.35	41	536	34.80	6.0	0.85		40	581	35.94	10	1.45	GS79 GSF79 GSA79 GSAF79	4P	48	459	29.63	6.0	1.00		44	527	32.38	10	1.50			53	419	26.93	6.0	1.10		50	464	28.41	10	1.55			61	365	23.33	6.0	1.15		57	410	25.07	9.3	1.65			66	344	21.67	5.2	1.20		60	386	23.87	8.2	1.65			75	302	19.06	5.0	1.25		68	341	20.89	8.2	1.75	79	287			18.00	5.0	1.30		76	306	18.82	8.0	1.80	93	244	15.33	5.0	1.35		87	266	16.51	8.0	1.90	103	221	13.93	4.9	1.40				98	237	14.57	7.8	2.00	118	196	12.07	4.9	1.50		111	209	12.92	7.7	2.10	136	170	10.50	4.8	1.55		130	179	11.03	7.5	2.20	GS69 GSF69 GSA69 GSAF69	4P	132	179	10.80	3.8	0.90	GS59	41	536	34.80	6.0	0.85			157	154	9.10	3.8	1.00	GSF59	48	459	29.63	6.0	1.00								GSA59	53	419	26.93	6.0	1.10								GSAF59	61	365	23.33			6.0	1.15							66	344	21.67	5.2	1.20									75	302	19.06	5.0	1.25							79	287	18.00	5.0	1.30									93	244	15.33	5.0	1.35							103	221	13.93	4.9	1.40							118	196	12.07	4.9	1.50							136	170	10.50	4.8	1.55	GS59 GSF59 GSA59 GSAF59	4P																																																																																																																																																																																																																																																																																																																																																																																																																																																																																																																						
111	209	12.92	7.7	2.10		33	693	43.33	10	1.35	130	179			11.03	7.5	2.20		35	662	41.07	10	1.35	41	536	34.80	6.0	0.85		40	581	35.94	10	1.45	GS79 GSF79 GSA79 GSAF79	4P	48	459	29.63	6.0	1.00		44	527	32.38	10	1.50			53	419	26.93	6.0	1.10		50	464	28.41	10	1.55			61	365	23.33	6.0	1.15		57	410	25.07	9.3	1.65			66	344	21.67	5.2	1.20		60	386	23.87	8.2	1.65			75	302	19.06	5.0	1.25		68	341	20.89	8.2	1.75			79	287	18.00	5.0	1.30		76	306	18.82	8.0	1.80	93	244			15.33	5.0	1.35		87	266	16.51	8.0	1.90	103	221	13.93	4.9	1.40		98	237	14.57	7.8	2.00	118	196	12.07	4.9	1.50		111	209	12.92	7.7	2.10	136	170	10.50	4.8	1.55		130	179	11.03	7.5	2.20	GS69 GSF69 GSA69 GSAF69	4P	132	179	10.80	3.8	0.90	GS59	41	536	34.80	6.0	0.85			157	154	9.10	3.8	1.00	GSF59	48	459	29.63	6.0	1.00								GSA59	53	419	26.93	6.0	1.10								GSAF59	61	365	23.33	6.0	1.15									66	344	21.67			5.2	1.20							75	302	19.06	5.0	1.25									79	287	18.00	5.0	1.30							93	244	15.33	5.0	1.35							103	221	13.93	4.9	1.40							118	196	12.07	4.9	1.50							136	170	10.50	4.8	1.55	GS59 GSF59 GSA59 GSAF59	4P																																																																																																																																																																																																																																																																																																																																																																																																																																																																																																																																			
130	179	11.03	7.5	2.20		35	662	41.07	10	1.35	41	536	34.80	6.0	0.85		40	581	35.94	10	1.45	GS79 GSF79 GSA79 GSAF79	4P	48	459	29.63	6.0	1.00		44	527	32.38	10	1.50			53	419	26.93	6.0	1.10		50	464	28.41	10	1.55			61	365	23.33	6.0	1.15		57	410	25.07	9.3	1.65			66	344	21.67	5.2	1.20		60	386	23.87	8.2	1.65			75	302	19.06	5.0	1.25		68	341	20.89	8.2	1.75			79	287	18.00	5.0	1.30		76	306	18.82	8.0	1.80			93	244	15.33	5.0	1.35		87	266	16.51	8.0	1.90	103	221			13.93	4.9	1.40		98	237	14.57	7.8	2.00	118	196	12.07	4.9	1.50		111	209	12.92	7.7	2.10	136	170	10.50	4.8	1.55		130	179	11.03	7.5	2.20	GS69 GSF69 GSA69 GSAF69	4P	132	179	10.80	3.8	0.90	GS59	41	536	34.80			6.0	0.85	157	154	9.10	3.8	1.00	GSF59	48	459	29.63			6.0	1.00						GSA59	53	419	26.93			6.0	1.10						GSAF59	61	365	23.33			6.0	1.15							66	344	21.67			5.2	1.20							75			302	19.06	5.0	1.25							79	287	18.00			5.0	1.30							93	244	15.33	5.0	1.35							103	221	13.93	4.9	1.40							118	196	12.07	4.9	1.50							136	170	10.50	4.8	1.55	GS59 GSF59 GSA59 GSAF59	4P																																																																																																																																																																																																																																																																																																																																																																																																																																																																																																																																												
41	536	34.80	6.0	0.85		40	581	35.94	10	1.45	GS79 GSF79 GSA79 GSAF79	4P																																																																																																																																																																																																																																																																																																																																																																																																																																																																																																																																																																																																																																																																																																																																																																																																																														
48	459	29.63	6.0	1.00		44	527	32.38	10	1.50			53	419	26.93	6.0	1.10		50	464	28.41			10	1.55	61	365	23.33	6.0	1.15		57	410	25.07			9.3	1.65	66	344	21.67	5.2	1.20		60	386	23.87			8.2	1.65	75	302	19.06	5.0	1.25		68	341	20.89			8.2	1.75	79	287	18.00	5.0	1.30		76	306	18.82			8.0	1.80	93	244	15.33	5.0	1.35		87	266	16.51			8.0	1.90	103	221	13.93	4.9	1.40		98	237	14.57	7.8	2.00	118	196	12.07	4.9	1.50		111	209	12.92	7.7	2.10	136	170	10.50	4.8	1.55		130	179	11.03	7.5	2.20	GS69 GSF69 GSA69 GSAF69	4P	132	179	10.80	3.8	0.90	GS59	41	536	34.80	6.0	0.85	157	154	9.10	3.8	1.00	GSF59	48	459	29.63	6.0	1.00								GSA59	53	419	26.93			6.0	1.10						GSAF59	61	365	23.33			6.0	1.15							66	344	21.67			5.2	1.20							75	302	19.06			5.0	1.25							79	287	18.00			5.0	1.30							93	244	15.33	5.0	1.35							103	221	13.93	4.9	1.40							118	196	12.07	4.9	1.50							136	170	10.50	4.8	1.55	GS59 GSF59 GSA59 GSAF59	4P																																																																																																																																																																																																																																																																																																																																																																																																																																																																																																																																																																						
53	419	26.93	6.0	1.10		50	464	28.41	10	1.55			61	365	23.33	6.0	1.15		57	410	25.07			9.3	1.65	66	344	21.67	5.2	1.20		60	386	23.87			8.2	1.65	75	302	19.06	5.0	1.25		68	341	20.89			8.2	1.75	79	287	18.00	5.0	1.30		76	306	18.82			8.0	1.80	93	244	15.33	5.0	1.35		87	266	16.51			8.0	1.90	103	221	13.93	4.9	1.40		98	237	14.57	7.8	2.00	118	196	12.07	4.9	1.50		111	209	12.92	7.7	2.10	136	170	10.50	4.8	1.55		130	179	11.03	7.5	2.20	GS69 GSF69 GSA69 GSAF69	4P	132	179	10.80	3.8	0.90	GS59	41	536	34.80	6.0	0.85			157	154	9.10	3.8	1.00	GSF59	48	459	29.63	6.0	1.00						GSA59	53	419	26.93	6.0	1.10								GSAF59	61	365	23.33			6.0	1.15							66	344	21.67			5.2	1.20							75	302	19.06			5.0	1.25							79	287	18.00			5.0	1.30							93	244	15.33	5.0	1.35							103	221	13.93	4.9	1.40							118	196	12.07	4.9	1.50							136	170	10.50	4.8	1.55	GS59 GSF59 GSA59 GSAF59	4P																																																																																																																																																																																																																																																																																																																																																																																																																																																																																																																																																																																			
61	365	23.33	6.0	1.15		57	410	25.07	9.3	1.65			66	344	21.67	5.2	1.20		60	386	23.87			8.2	1.65	75	302	19.06	5.0	1.25		68	341	20.89			8.2	1.75	79	287	18.00	5.0	1.30		76	306	18.82			8.0	1.80	93	244	15.33	5.0	1.35		87	266	16.51			8.0	1.90	103	221	13.93	4.9	1.40		98	237	14.57	7.8	2.00	118	196	12.07	4.9	1.50		111	209	12.92	7.7	2.10	136	170	10.50	4.8	1.55		130	179	11.03	7.5	2.20	GS69 GSF69 GSA69 GSAF69	4P	132	179	10.80	3.8	0.90	GS59	41	536	34.80	6.0	0.85			157	154	9.10	3.8	1.00	GSF59	48	459	29.63	6.0	1.00								GSA59	53	419	26.93	6.0	1.10						GSAF59	61	365	23.33	6.0	1.15									66	344	21.67			5.2	1.20							75	302	19.06			5.0	1.25							79	287	18.00			5.0	1.30							93	244	15.33	5.0	1.35							103	221	13.93	4.9	1.40							118	196	12.07	4.9	1.50							136	170	10.50	4.8	1.55	GS59 GSF59 GSA59 GSAF59	4P																																																																																																																																																																																																																																																																																																																																																																																																																																																																																																																																																																																																
66	344	21.67	5.2	1.20		60	386	23.87	8.2	1.65			75	302	19.06	5.0	1.25		68	341	20.89			8.2	1.75	79	287	18.00	5.0	1.30		76	306	18.82			8.0	1.80	93	244	15.33	5.0	1.35		87	266	16.51			8.0	1.90	103	221	13.93	4.9	1.40		98	237	14.57	7.8	2.00	118	196	12.07	4.9	1.50		111	209	12.92	7.7	2.10	136	170	10.50	4.8	1.55		130	179	11.03	7.5	2.20	GS69 GSF69 GSA69 GSAF69	4P	132	179	10.80	3.8	0.90	GS59	41	536	34.80	6.0	0.85			157	154	9.10	3.8	1.00	GSF59	48	459	29.63	6.0	1.00								GSA59	53	419	26.93	6.0	1.10								GSAF59	61	365	23.33	6.0	1.15							66	344	21.67	5.2	1.20									75	302	19.06			5.0	1.25							79	287	18.00			5.0	1.30							93	244	15.33	5.0	1.35							103	221	13.93	4.9	1.40							118	196	12.07	4.9	1.50							136	170	10.50	4.8	1.55	GS59 GSF59 GSA59 GSAF59	4P																																																																																																																																																																																																																																																																																																																																																																																																																																																																																																																																																																																																													
75	302	19.06	5.0	1.25		68	341	20.89	8.2	1.75			79	287	18.00	5.0	1.30		76	306	18.82			8.0	1.80	93	244	15.33	5.0	1.35		87	266	16.51			8.0	1.90	103	221	13.93	4.9	1.40		98	237	14.57	7.8	2.00	118	196	12.07	4.9	1.50		111	209	12.92	7.7	2.10	136	170	10.50	4.8	1.55		130	179	11.03	7.5	2.20	GS69 GSF69 GSA69 GSAF69	4P	132	179	10.80	3.8	0.90	GS59	41	536	34.80	6.0	0.85			157	154	9.10	3.8	1.00	GSF59	48	459	29.63	6.0	1.00								GSA59	53	419	26.93	6.0	1.10								GSAF59	61	365	23.33	6.0	1.15									66	344	21.67	5.2	1.20							75	302	19.06	5.0	1.25									79	287	18.00			5.0	1.30							93	244	15.33	5.0	1.35							103	221	13.93	4.9	1.40							118	196	12.07	4.9	1.50							136	170	10.50	4.8	1.55	GS59 GSF59 GSA59 GSAF59	4P																																																																																																																																																																																																																																																																																																																																																																																																																																																																																																																																																																																																																										
79	287	18.00	5.0	1.30		76	306	18.82	8.0	1.80			93	244	15.33	5.0	1.35		87	266	16.51			8.0	1.90	103	221	13.93	4.9	1.40		98	237	14.57	7.8	2.00	118	196	12.07	4.9	1.50		111	209	12.92	7.7	2.10	136	170	10.50	4.8	1.55		130	179	11.03	7.5	2.20	GS69 GSF69 GSA69 GSAF69	4P	132	179	10.80	3.8	0.90	GS59	41	536	34.80	6.0	0.85			157	154	9.10	3.8	1.00	GSF59	48	459	29.63	6.0	1.00								GSA59	53	419	26.93	6.0	1.10								GSAF59	61	365	23.33	6.0	1.15									66	344	21.67	5.2	1.20									75	302	19.06	5.0	1.25							79	287	18.00	5.0	1.30									93	244	15.33	5.0	1.35							103	221	13.93	4.9	1.40							118	196	12.07	4.9	1.50							136	170	10.50	4.8	1.55	GS59 GSF59 GSA59 GSAF59	4P																																																																																																																																																																																																																																																																																																																																																																																																																																																																																																																																																																																																																																							
93	244	15.33	5.0	1.35		87	266	16.51	8.0	1.90			103	221	13.93	4.9	1.40		98	237	14.57	7.8	2.00	118	196	12.07	4.9	1.50		111	209	12.92	7.7	2.10	136	170	10.50	4.8	1.55		130	179	11.03	7.5	2.20	GS69 GSF69 GSA69 GSAF69	4P	132	179	10.80	3.8	0.90	GS59	41	536	34.80	6.0	0.85			157	154	9.10	3.8	1.00	GSF59	48	459	29.63	6.0	1.00								GSA59	53	419	26.93	6.0	1.10								GSAF59	61	365	23.33	6.0	1.15									66	344	21.67	5.2	1.20									75	302	19.06	5.0	1.25									79	287	18.00	5.0	1.30							93	244	15.33	5.0	1.35							103	221	13.93	4.9	1.40							118	196	12.07	4.9	1.50							136	170	10.50	4.8	1.55	GS59 GSF59 GSA59 GSAF59	4P																																																																																																																																																																																																																																																																																																																																																																																																																																																																																																																																																																																																																																																				
103	221	13.93	4.9	1.40		98	237	14.57	7.8	2.00	118	196	12.07	4.9	1.50		111	209	12.92	7.7	2.10	136	170	10.50	4.8	1.55		130	179	11.03	7.5	2.20	GS69 GSF69 GSA69 GSAF69	4P	132	179	10.80	3.8	0.90	GS59	41	536	34.80	6.0	0.85			157	154	9.10	3.8	1.00	GSF59	48	459	29.63	6.0	1.00								GSA59	53	419	26.93	6.0	1.10								GSAF59	61	365	23.33	6.0	1.15									66	344	21.67	5.2	1.20									75	302	19.06	5.0	1.25									79	287	18.00	5.0	1.30									93	244	15.33	5.0	1.35							103	221	13.93	4.9	1.40							118	196	12.07	4.9	1.50							136	170	10.50	4.8	1.55	GS59 GSF59 GSA59 GSAF59	4P																																																																																																																																																																																																																																																																																																																																																																																																																																																																																																																																																																																																																																																															
118	196	12.07	4.9	1.50		111	209	12.92	7.7	2.10	136	170	10.50	4.8	1.55		130	179	11.03	7.5	2.20	GS69 GSF69 GSA69 GSAF69	4P	132	179	10.80	3.8	0.90	GS59	41	536	34.80			6.0	0.85	157	154	9.10	3.8	1.00	GSF59	48	459	29.63			6.0	1.00						GSA59	53	419	26.93			6.0	1.10						GSAF59	61	365	23.33			6.0	1.15							66	344	21.67			5.2	1.20							75	302	19.06			5.0	1.25							79	287	18.00			5.0	1.30							93	244	15.33	5.0	1.35							103	221	13.93	4.9	1.40							118	196	12.07	4.9	1.50							136	170	10.50	4.8	1.55	GS59 GSF59 GSA59 GSAF59	4P																																																																																																																																																																																																																																																																																																																																																																																																																																																																																																																																																																																																																																																																										
136	170	10.50	4.8	1.55		130	179	11.03	7.5	2.20	GS69 GSF69 GSA69 GSAF69	4P																																																																																																																																																																																																																																																																																																																																																																																																																																																																																																																																																																																																																																																																																																																																																																																																																														
132	179	10.80	3.8	0.90	GS59	41	536	34.80	6.0	0.85			157	154	9.10	3.8	1.00	GSF59	48	459	29.63			6.0	1.00						GSA59	53			419	26.93	6.0	1.10						GSAF59	61			365	23.33	6.0	1.15							66			344	21.67	5.2	1.20							75			302	19.06	5.0	1.25							79			287	18.00	5.0	1.30							93	244	15.33	5.0	1.35							103	221	13.93	4.9	1.40							118	196	12.07	4.9	1.50							136	170	10.50	4.8	1.55	GS59 GSF59 GSA59 GSAF59	4P																																																																																																																																																																																																																																																																																																																																																																																																																																																																																																																																																																																																																																																																																																		
157	154	9.10	3.8	1.00	GSF59	48	459	29.63	6.0	1.00								GSA59	53	419	26.93			6.0	1.10						GSAF59	61			365	23.33	6.0	1.15							66			344	21.67	5.2	1.20							75			302	19.06	5.0	1.25							79			287	18.00	5.0	1.30							93	244	15.33	5.0	1.35							103	221	13.93	4.9	1.40							118	196	12.07	4.9	1.50							136	170	10.50	4.8	1.55	GS59 GSF59 GSA59 GSAF59	4P																																																																																																																																																																																																																																																																																																																																																																																																																																																																																																																																																																																																																																																																																																															
					GSA59	53	419	26.93	6.0	1.10								GSAF59	61	365	23.33			6.0	1.15							66			344	21.67	5.2	1.20							75			302	19.06	5.0	1.25							79			287	18.00	5.0	1.30							93	244	15.33	5.0	1.35							103	221	13.93	4.9	1.40							118	196	12.07	4.9	1.50							136	170	10.50	4.8	1.55	GS59 GSF59 GSA59 GSAF59	4P																																																																																																																																																																																																																																																																																																																																																																																																																																																																																																																																																																																																																																																																																																																												
					GSAF59	61	365	23.33	6.0	1.15									66	344	21.67			5.2	1.20							75			302	19.06	5.0	1.25							79			287	18.00	5.0	1.30							93	244	15.33	5.0	1.35							103	221	13.93	4.9	1.40							118	196	12.07	4.9	1.50							136	170	10.50	4.8	1.55	GS59 GSF59 GSA59 GSAF59	4P																																																																																																																																																																																																																																																																																																																																																																																																																																																																																																																																																																																																																																																																																																																																									
						66	344	21.67	5.2	1.20									75	302	19.06			5.0	1.25							79			287	18.00	5.0	1.30							93	244	15.33	5.0	1.35							103	221	13.93	4.9	1.40							118	196	12.07	4.9	1.50							136	170	10.50	4.8	1.55	GS59 GSF59 GSA59 GSAF59	4P																																																																																																																																																																																																																																																																																																																																																																																																																																																																																																																																																																																																																																																																																																																																																						
						75	302	19.06	5.0	1.25									79	287	18.00			5.0	1.30							93	244	15.33	5.0	1.35							103	221	13.93	4.9	1.40							118	196	12.07	4.9	1.50							136	170	10.50	4.8	1.55	GS59 GSF59 GSA59 GSAF59	4P																																																																																																																																																																																																																																																																																																																																																																																																																																																																																																																																																																																																																																																																																																																																																																			
						79	287	18.00	5.0	1.30									93	244	15.33	5.0	1.35							103	221	13.93	4.9	1.40							118	196	12.07	4.9	1.50							136	170	10.50	4.8	1.55	GS59 GSF59 GSA59 GSAF59	4P																																																																																																																																																																																																																																																																																																																																																																																																																																																																																																																																																																																																																																																																																																																																																																																
						93	244	15.33	5.0	1.35							103	221	13.93	4.9	1.40							118	196	12.07	4.9	1.50							136	170	10.50	4.8	1.55	GS59 GSF59 GSA59 GSAF59	4P																																																																																																																																																																																																																																																																																																																																																																																																																																																																																																																																																																																																																																																																																																																																																																																													
						103	221	13.93	4.9	1.40							118	196	12.07	4.9	1.50							136	170	10.50	4.8	1.55	GS59 GSF59 GSA59 GSAF59	4P																																																																																																																																																																																																																																																																																																																																																																																																																																																																																																																																																																																																																																																																																																																																																																																																								
						118	196	12.07	4.9	1.50							136	170	10.50	4.8	1.55	GS59 GSF59 GSA59 GSAF59	4P																																																																																																																																																																																																																																																																																																																																																																																																																																																																																																																																																																																																																																																																																																																																																																																																																			
						136	170	10.50	4.8	1.55	GS59 GSF59 GSA59 GSAF59	4P																																																																																																																																																																																																																																																																																																																																																																																																																																																																																																																																																																																																																																																																																																																																																																																																																														

GS 系列斜齿轮-蜗轮蜗杆减速电机

选型参数表

Selection Table

(恒功率) 4kW-5.5kW

(Constant Power) 4kW-5.5kW

n_a [r/min]	M_a [Nm]	i	F_{Ra} [kN]	f_B	机型号 Type size	极数 Pole	n_a [r/min]	M_a [Nm]	i	F_{Ra} [kN]	f_B	机型号 Type size	极数 Pole		
4kW							4kW								
6.6	4320	219	21	0.95	GS99R59 GSF99R59 GSA99R59 GSAF99R59	4P	99	306	14.57	7.1	1.75	GS79 GSF79 GSA79 GSAF79	4P		
7.0	4043	205	26	1.05			111	273	12.92	7.0	1.85				
							131	231	11.03	6.8	2.00				
3.5	6728	271.63	31	1.00	GS109 GSF109 GSA109 GSAF109	6P	80	378	18.00	3.6	0.80	GS69 GSF69 GSA69 GSAF69	4P		
4.2	5729	229.96	30	1.15			94	322	15.33	4.0	0.95				
4.5	5315	212.81	30	1.20			103	293	13.93	4.3	1.05				
5.0	4809	190.74	29	1.30			119	254	12.07	4.3	1.20				
							137	221	10.50	4.3	1.35				
5.3	4592	271.63	29	1.35	GS109 GSF109 GSA109 GSAF109	4P	5.5kW								
6.3	3981	229.96	28	1.45			5.3	6314	271.63	27	1.00	GS109 GSF109 GSA109 GSAF109	4P		
6.8	3729	212.81	27	1.50			6.3	5474	229.96	26	1.20				
7.5	3384	190.74	26	1.55			6.8	5128	212.81	26	1.25				
8.4	3093	172.20	26	1.60			7.5	4653	190.74	25	1.30				
9.2	2845	156.41	25	1.65			8.4	4253	172.20	24	1.35				
10	2557	138.77	24	1.75			9.2	3912	156.41	24	1.40				
11	2350	125.93	23	1.80			10	3515	138.77	23	1.45				
13	2058	108.24	22	1.90			11	3231	125.93	23	1.55				
15	1783	94.48	21	2.00			13	2833	108.24	22	1.60				
18	1710	80.13	21	2.10			15	2424	94.48	21	1.70				
21	1552	70.04	20	2.20			18	2352	80.13	20	1.80				
22	1409	65.10	19	2.25			21	2133	70.04	20	1.85				
6.2	4185	231.67	27	1.00			GS99 GSF99 GSA99 GSAF99	4P	22	1937	65.10			19	1.90
7.3	3591	196.52	32	1.10	24	1766			59.13	18	2.00				
8.0	3300	180.95	32	1.20	27	1583			52.46	18	2.10				
8.9	2971	161.74	33	1.35	30	1447			47.61	17	2.15				
9.9	2718	145.60	33	1.45	35	1262			40.92	17	2.30				
11	2475	131.85	34	1.50	8.9	4095			161.74	28	0.95				
12	2214	116.92	34	1.60	9.9	3717			145.60	31	1.00				
14	2007	105.71	34	1.65	11	3384			131.85	32	1.10				
16	1719	89.60	34	1.75	12	3024			116.92	33	1.15				
18	1746	80.85	34	1.75	14	2745			105.71	33	1.25				
20	1548	71.43	35	1.85	16	2349	89.60	34	1.35						
24	1323	60.59	35	1.95	18	2061	78.26	34	1.45						
26	1215	55.79	35	2.00	20	2115	71.43	34	1.55						
12	2259	123.48	26	0.95	GS89 GSF89 GSA89 GSAF89	4P	22	1737	65.45	34	1.65	GS89 GSF89 GSA89 GSAF89	4P		
13	2034	110.40	27	1.00			24	1800	60.59	34	1.65				
15	1836	99.26	27	1.10			26	1665	55.79	34	1.70				
17	1611	86.15	27	1.20			29	1494	49.87	35	1.80				
19	1449	77.14	28	1.25			32	1350	44.89	35	1.85				
20	1494	70.43	27	1.05			35	1224	40.65	35	1.95				
22	1368	64.27	28	1.14			19	1980	77.14	27	0.90				
25	1215	57.00	28	1.30			23	1665	64.00	27	0.95				
30	1035	47.91	28	1.50			25	1665	57.00	27	0.95				
33	954	44.03	28	1.55			30	1404	47.91	28	1.10				
37	846	39.10	28	1.65			33	1296	44.03	28	1.20				
41	756	34.96	28	1.70			37	1152	39.10	28	1.35				
46	684	31.43	28	1.80			41	1035	34.96	27	1.50				
53	599	27.28	27	1.85			46	936	31.43	27	1.55				
60	572	23.92	25	1.95	53	819	27.28	26	1.60						
25	1044	56.92	10	0.90	GS79 GSF79 GSA79 GSAF79	4P	60	693	23.92	24	1.70	GS79 GSF79 GSA79 GSAF79	4P		
27	1125	53.87	8.8	0.95			67	621	21.39	23	1.75				
29	1035	49.38	8.9	1.05			75	555	19.23	23	1.80				
33	918	43.33	8.9	1.15			86	484	16.69	22	1.90				
35	864	41.07	8.9	1.20			96	433	14.95	22	2.00				
40	765	35.94	8.9	1.25			116	359	12.40	21	2.10				
44	689	32.38	8.8	1.30			134	310	10.78	20	2.25				
51	608	28.41	8.7	1.35			35	1188	41.07	7.2	0.90				
57	540	25.07	8.6	1.40			40	1044	35.94	7.4	1.05				
60	504	23.87	7.3	1.30			44	945	32.38	7.5	1.10				
69	438	20.89	7.3	1.55	51	828	28.41	7.5	1.15						
77	392	18.82	7.2	1.60											
87	347	16.51	7.2	1.65											

选型参数表
(恒功率) 5.5kW-15kW
Selection Table
(Constant Power) 5.5kW-15kW

n_a [r/min]	M_a [Nm]	i	F_{Ra} [kN]	f_B	机型号 Type size	极数 Pole	n_a [r/min]	M_a [Nm]	i	F_{Ra} [kN]	f_B	机型号 Type size	极数 Pole																																																																																																																																																																																																																																																																																																																																																																																																																																											
5.5kW							7.5kW																																																																																																																																																																																																																																																																																																																																																																																																																																																	
57	738	25.07	7.5	1.20	GS79 GSF79 GSA79 GSAF79	4P	51	1134	28.41	5.9	0.90	GS79 GSF79 GSA79 GSAF79	4P																																																																																																																																																																																																																																																																																																																																																																																																																																											
60	670	23.87	7.5	1.25			69	582	20.89	7.5	1.30			77	522	18.82	5.6	1.35	87	462	16.51	5.9	1.40	99	406	14.57	6.2	1.50	111	362	12.92	6.2	1.55	131	307	11.03	6.1	1.65	119	348	12.07	2.8	0.90	GS69 GSF69 GSA69 GSAF69	4P	11kW							137	302	10.50	2.8	1.00	7.5kW							9.3	7717	156.41	20	0.85	GS109 GSF109 GSA109 GSAF109	4P	6.3	7465	229.96	24	0.85	6.8	6993	212.81	24	0.90	7.5	6345	190.74	23	1.00	8.4	5800	172.20	23	1.10	9.2	5335	156.41	22	1.20	10	4794	138.77	22	1.25	11	4407	125.93	21	1.30	13	3863	108.24	21	1.40	15	3306	94.48	20	1.50	18	3207	80.13	19	1.55	21	2909	70.04	19	1.60	22	2641	65.10	18	1.65	24	2408	59.13	18	1.70	27	2159	52.46	17	1.80	30	1974	47.61	17	1.85	35	1721	40.92	16	1.95	40	1503	35.72	15	2.00	48	1284	30.29	15	2.20	14	3744	105.71	31	0.90	GS99 GSF99 GSA99 GSAF99	4P	26	3303	55.79	32	1.00	GS99 GSF99 GSA99 GSAF99	4P	16	3204	89.60	32	1.00	18	2817	78.26	33	1.10	20	2880	71.43	33	1.15	22	2367	65.45	34	1.20	24	2457	60.59	34	1.35	26	2268	55.79	34	1.45	29	2034	49.87	34	1.55	32	1836	44.89	34	1.60	35	1665	40.65	34	1.65	40	1485	36.05	34	1.75	GS99 GSF99 GSA99 GSAF99	4P	44	1341	32.60	34	1.80	52	1054	27.63	30	1.90	64	856	22.65	30	2.15	70	783	20.48	29	2.25	83	660	17.36	29	2.40	33	1773	44.03	26	0.90	37	1575	39.10	26	1.00	41	1413	34.96	26	1.10	46	1278	31.43	25	1.20	GS89 GSF89 GSA89 GSAF89	4P	53	1107	27.28	25	1.40	60	913	23.92	22	1.45	67	818	21.39	22	1.50	75	731	19.23	22	1.60	86	637	16.69	21	1.65	96	571	14.95	21	1.75	GS89 GSF89 GSA89 GSAF89	4P	116	472	12.40	20	1.85	134	409	10.78	19	1.95	15kW							13	7670	108.24	17	0.85	GS109 GSF109 GSA109 GSAF109	4P	15	6878	94.48	16	0.95	18	5833	80.13	16	1.10	21	5739	70.04	16	1.15	22	5210	65.10	16	1.20	25	4749	59.13	16	1.20	28	4259	52.46	15	1.30	31	3893	47.61	15	1.30	36	3395	40.92	15	1.40	41	2964	35.72	14	1.45	48	2532	30.29	14	1.55	55	2247	26.48	13	1.65	65	1899	22.39	13	1.75																																																		
69	582	20.89	7.5	1.30			77	522	18.82	5.6	1.35			87	462	16.51	5.9	1.40	99	406	14.57	6.2	1.50	111	362	12.92	6.2	1.55	131	307	11.03	6.1	1.65	119	348	12.07	2.8	0.90	GS69 GSF69 GSA69 GSAF69	4P	11kW							137	302	10.50	2.8	1.00	7.5kW							9.3	7717	156.41	20	0.85	GS109 GSF109 GSA109 GSAF109	4P	6.3	7465	229.96			24	0.85	6.8	6993	212.81	24	0.90	7.5	6345	190.74	23	1.00	8.4	5800	172.20	23	1.10	9.2	5335	156.41	22	1.20	10	4794	138.77	22	1.25	11	4407	125.93	21	1.30	13	3863	108.24	21	1.40	15	3306	94.48	20	1.50	18	3207	80.13	19	1.55	21	2909	70.04	19	1.60	22	2641	65.10	18	1.65	24	2408	59.13	18	1.70	27	2159	52.46	17	1.80	30	1974	47.61	17	1.85	35	1721	40.92	16	1.95	40	1503	35.72	15	2.00	48	1284	30.29	15	2.20	14	3744	105.71	31	0.90	GS99 GSF99 GSA99 GSAF99	4P	26			3303	55.79	32	1.00	GS99 GSF99 GSA99 GSAF99			4P	16	3204	89.60	32	1.00	18	2817	78.26	33	1.10	20	2880	71.43	33	1.15	22	2367	65.45	34	1.20	24	2457	60.59	34	1.35	26	2268	55.79	34	1.45	29	2034	49.87	34	1.55	32	1836	44.89	34	1.60	35	1665	40.65	34	1.65	40	1485	36.05	34			1.75	GS99 GSF99 GSA99 GSAF99	4P	44	1341	32.60	34	1.80	52	1054	27.63	30	1.90	64	856	22.65	30	2.15	70	783	20.48	29	2.25	83	660	17.36	29	2.40	33	1773	44.03	26	0.90	37	1575	39.10	26	1.00	41	1413	34.96	26	1.10	46	1278			31.43	25	1.20	GS89 GSF89 GSA89 GSAF89	4P	53	1107	27.28	25	1.40	60	913	23.92	22	1.45	67	818	21.39	22	1.50	75	731	19.23	22	1.60	86	637	16.69	21	1.65			96	571	14.95	21	1.75	GS89 GSF89 GSA89 GSAF89	4P	116	472	12.40	20	1.85	134	409	10.78	19	1.95	15kW							13	7670	108.24	17	0.85	GS109 GSF109 GSA109 GSAF109	4P	15	6878	94.48	16	0.95	18	5833	80.13	16	1.10	21	5739	70.04	16	1.15	22	5210	65.10	16	1.20	25	4749	59.13	16	1.20	28	4259	52.46	15	1.30	31	3893	47.61	15	1.30	36	3395	40.92	15	1.40	41	2964	35.72	14	1.45	48	2532	30.29	14	1.55	55	2247	26.48	13	1.65	65	1899	22.39	13	1.75																																											
77	522	18.82	5.6	1.35			87	462	16.51	5.9	1.40			99	406	14.57	6.2	1.50	111	362	12.92	6.2	1.55	131	307	11.03	6.1	1.65	119	348	12.07	2.8	0.90	GS69 GSF69 GSA69 GSAF69	4P	11kW							137	302	10.50	2.8	1.00	7.5kW							9.3	7717	156.41	20	0.85	GS109 GSF109 GSA109 GSAF109	4P	6.3	7465	229.96			24	0.85	6.8			6993	212.81	24	0.90	7.5	6345	190.74	23	1.00	8.4	5800	172.20	23	1.10	9.2	5335	156.41	22	1.20	10	4794	138.77	22	1.25	11	4407	125.93	21	1.30	13	3863	108.24	21	1.40	15	3306	94.48	20	1.50	18	3207	80.13	19	1.55	21	2909	70.04	19	1.60	22	2641	65.10	18	1.65	24	2408	59.13	18	1.70	27	2159	52.46	17	1.80	30	1974	47.61	17	1.85	35	1721	40.92	16	1.95	40	1503	35.72	15	2.00	48	1284	30.29	15	2.20	14	3744	105.71	31	0.90	GS99 GSF99 GSA99 GSAF99	4P	26			3303			55.79	32	1.00	GS99 GSF99 GSA99 GSAF99					4P	16	3204	89.60	32	1.00	18	2817	78.26	33	1.10	20	2880	71.43	33	1.15	22	2367	65.45	34	1.20	24	2457	60.59	34	1.35	26	2268	55.79	34	1.45	29	2034	49.87	34	1.55	32	1836	44.89	34	1.60	35	1665	40.65	34	1.65	40	1485	36.05			34			1.75	GS99 GSF99 GSA99 GSAF99	4P	44	1341	32.60	34	1.80	52	1054	27.63	30	1.90	64	856	22.65	30	2.15	70	783	20.48	29	2.25	83	660	17.36	29	2.40	33	1773	44.03	26	0.90	37	1575	39.10	26	1.00	41	1413	34.96	26			1.10	46	1278			31.43	25	1.20	GS89 GSF89 GSA89 GSAF89	4P	53	1107	27.28	25	1.40	60	913	23.92	22	1.45	67	818	21.39	22	1.50	75	731	19.23	22	1.60			86	637	16.69	21	1.65			96	571	14.95	21	1.75	GS89 GSF89 GSA89 GSAF89	4P	116	472	12.40	20	1.85	134	409	10.78			19	1.95	15kW							13	7670	108.24	17	0.85	GS109 GSF109 GSA109 GSAF109	4P	15	6878	94.48	16	0.95	18	5833	80.13	16	1.10	21	5739	70.04	16	1.15	22	5210	65.10	16	1.20	25	4749	59.13	16	1.20	28	4259	52.46	15	1.30	31	3893	47.61	15	1.30	36	3395	40.92	15	1.40	41	2964	35.72	14	1.45	48	2532	30.29	14	1.55	55	2247	26.48	13	1.65	65	1899	22.39	13	1.75																																		
87	462	16.51	5.9	1.40			99	406	14.57	6.2	1.50			111	362	12.92	6.2	1.55	131	307	11.03	6.1	1.65	119	348	12.07	2.8	0.90	GS69 GSF69 GSA69 GSAF69	4P	11kW							137	302	10.50	2.8	1.00	7.5kW							9.3	7717	156.41	20	0.85	GS109 GSF109 GSA109 GSAF109	4P	6.3	7465	229.96			24	0.85	6.8			6993	212.81	24			0.90	7.5	6345	190.74	23	1.00	8.4	5800	172.20	23	1.10	9.2	5335	156.41	22	1.20	10	4794	138.77	22	1.25	11	4407	125.93	21	1.30	13	3863	108.24	21	1.40	15	3306	94.48	20	1.50	18	3207	80.13	19	1.55	21	2909	70.04	19	1.60	22	2641	65.10	18	1.65	24	2408	59.13	18	1.70	27	2159	52.46	17	1.80	30	1974	47.61	17	1.85	35	1721	40.92	16	1.95	40	1503	35.72	15	2.00	48	1284	30.29	15	2.20	14	3744	105.71	31	0.90	GS99 GSF99 GSA99 GSAF99	4P	26			3303			55.79			32	1.00	GS99 GSF99 GSA99 GSAF99							4P	16	3204	89.60	32	1.00	18	2817	78.26	33	1.10	20	2880	71.43	33	1.15	22	2367	65.45	34	1.20	24	2457	60.59	34	1.35	26	2268	55.79	34	1.45	29	2034	49.87	34	1.55	32	1836	44.89	34	1.60	35	1665	40.65	34	1.65	40	1485			36.05			34			1.75	GS99 GSF99 GSA99 GSAF99	4P	44	1341	32.60	34	1.80	52	1054	27.63	30	1.90	64	856	22.65	30	2.15	70	783	20.48	29	2.25	83	660	17.36	29	2.40	33	1773	44.03	26	0.90	37	1575	39.10	26	1.00	41			1413	34.96	26			1.10	46	1278			31.43	25	1.20	GS89 GSF89 GSA89 GSAF89	4P	53	1107	27.28	25	1.40	60	913	23.92	22	1.45	67	818	21.39	22	1.50			75	731	19.23	22	1.60			86	637	16.69	21	1.65			96	571	14.95	21	1.75	GS89 GSF89 GSA89 GSAF89	4P	116			472	12.40	20	1.85	134			409	10.78	19	1.95	15kW							13	7670	108.24	17	0.85	GS109 GSF109 GSA109 GSAF109	4P	15	6878	94.48	16	0.95	18	5833	80.13	16	1.10	21	5739	70.04	16	1.15	22	5210	65.10	16	1.20	25	4749	59.13	16	1.20	28	4259	52.46	15	1.30	31	3893	47.61	15	1.30	36	3395	40.92	15	1.40	41	2964	35.72	14	1.45	48	2532	30.29	14	1.55	55	2247	26.48	13	1.65	65	1899	22.39	13	1.75																									
99	406	14.57	6.2	1.50			111	362	12.92	6.2	1.55			131	307	11.03	6.1	1.65	119	348	12.07	2.8	0.90	GS69 GSF69 GSA69 GSAF69	4P	11kW							137	302	10.50	2.8	1.00	7.5kW							9.3	7717	156.41	20	0.85	GS109 GSF109 GSA109 GSAF109	4P	6.3	7465	229.96			24	0.85	6.8			6993	212.81	24			0.90	7.5	6345			190.74	23	1.00	8.4	5800	172.20	23	1.10	9.2	5335	156.41	22	1.20	10	4794	138.77	22	1.25	11	4407	125.93	21	1.30	13	3863	108.24	21	1.40	15	3306	94.48	20	1.50	18	3207	80.13	19	1.55	21	2909	70.04	19	1.60	22	2641	65.10	18	1.65	24	2408	59.13	18	1.70	27	2159	52.46	17	1.80	30	1974	47.61	17	1.85	35	1721	40.92	16	1.95	40	1503	35.72	15	2.00	48	1284	30.29	15	2.20	14	3744	105.71	31	0.90	GS99 GSF99 GSA99 GSAF99	4P	26			3303			55.79			32			1.00	GS99 GSF99 GSA99 GSAF99									4P	16	3204	89.60	32	1.00	18	2817	78.26	33	1.10	20	2880	71.43	33	1.15	22	2367	65.45	34	1.20	24	2457	60.59	34	1.35	26	2268	55.79	34	1.45	29	2034	49.87	34	1.55	32	1836	44.89	34	1.60	35	1665	40.65	34	1.65	40			1485			36.05			34			1.75	GS99 GSF99 GSA99 GSAF99	4P	44	1341	32.60	34	1.80	52	1054	27.63	30	1.90	64	856	22.65	30	2.15	70	783	20.48	29	2.25	83	660	17.36	29	2.40	33	1773	44.03	26	0.90	37	1575	39.10			26	1.00	41			1413	34.96	26			1.10	46	1278			31.43	25	1.20	GS89 GSF89 GSA89 GSAF89	4P	53	1107	27.28	25	1.40	60	913	23.92	22	1.45			67	818	21.39	22	1.50			75	731	19.23	22	1.60			86	637	16.69	21	1.65			96			571	14.95	21	1.75	GS89 GSF89 GSA89 GSAF89			4P	116	472	12.40	20	1.85	134			409	10.78	19	1.95	15kW							13	7670	108.24	17	0.85	GS109 GSF109 GSA109 GSAF109	4P	15	6878	94.48	16	0.95	18	5833	80.13	16	1.10	21	5739	70.04	16	1.15	22	5210	65.10	16	1.20	25	4749	59.13	16	1.20	28	4259	52.46	15	1.30	31	3893	47.61	15	1.30	36	3395	40.92	15	1.40	41	2964	35.72	14	1.45	48	2532	30.29	14	1.55	55	2247	26.48	13	1.65	65	1899	22.39	13	1.75																
111	362	12.92	6.2	1.55			131	307	11.03	6.1	1.65			119	348	12.07	2.8	0.90	GS69 GSF69 GSA69 GSAF69	4P	11kW							137	302	10.50	2.8	1.00	7.5kW							9.3	7717	156.41	20	0.85	GS109 GSF109 GSA109 GSAF109	4P	6.3	7465	229.96			24	0.85	6.8			6993	212.81	24			0.90	7.5	6345			190.74	23	1.00			8.4	5800	172.20	23	1.10	9.2	5335	156.41	22	1.20	10	4794	138.77	22	1.25	11	4407	125.93	21	1.30	13	3863	108.24	21	1.40	15	3306	94.48	20	1.50	18	3207	80.13	19	1.55	21	2909	70.04	19	1.60	22	2641	65.10	18	1.65	24	2408	59.13	18	1.70	27	2159	52.46	17	1.80	30	1974	47.61	17	1.85	35	1721	40.92	16	1.95	40	1503	35.72	15	2.00	48	1284	30.29	15	2.20	14	3744	105.71	31	0.90	GS99 GSF99 GSA99 GSAF99	4P	26			3303			55.79			32			1.00			GS99 GSF99 GSA99 GSAF99											4P	16	3204	89.60	32	1.00	18	2817	78.26	33	1.10	20	2880	71.43	33	1.15	22	2367	65.45	34	1.20	24	2457	60.59	34	1.35	26	2268	55.79	34	1.45	29	2034	49.87	34	1.55	32	1836	44.89	34	1.60	35	1665	40.65	34	1.65			40			1485			36.05			34			1.75	GS99 GSF99 GSA99 GSAF99	4P	44	1341	32.60	34	1.80	52	1054	27.63	30	1.90	64	856	22.65	30	2.15	70	783	20.48	29	2.25	83	660	17.36	29	2.40	33	1773	44.03	26	0.90			37	1575	39.10			26	1.00	41			1413	34.96	26			1.10	46	1278			31.43	25	1.20	GS89 GSF89 GSA89 GSAF89	4P	53	1107	27.28	25	1.40			60	913	23.92	22	1.45			67	818	21.39	22	1.50			75	731	19.23	22	1.60			86			637	16.69	21	1.65					96	571	14.95	21	1.75	GS89 GSF89 GSA89 GSAF89			4P	116	472	12.40	20	1.85	134			409	10.78	19	1.95	15kW							13	7670	108.24	17	0.85	GS109 GSF109 GSA109 GSAF109	4P	15	6878	94.48	16	0.95	18	5833	80.13	16	1.10	21	5739	70.04	16	1.15	22	5210	65.10	16	1.20	25	4749	59.13	16	1.20	28	4259	52.46	15	1.30	31	3893	47.61	15	1.30	36	3395	40.92	15	1.40	41	2964	35.72	14	1.45	48	2532	30.29	14	1.55	55	2247	26.48	13	1.65	65	1899	22.39	13	1.75							
131	307	11.03	6.1	1.65			119	348	12.07	2.8	0.90			GS69 GSF69 GSA69 GSAF69	4P	11kW							137	302	10.50	2.8	1.00	7.5kW							9.3	7717	156.41	20	0.85	GS109 GSF109 GSA109 GSAF109	4P	6.3	7465	229.96			24	0.85	6.8			6993	212.81	24			0.90	7.5	6345			190.74	23	1.00			8.4	5800	172.20			23	1.10	9.2	5335	156.41	22	1.20	10	4794	138.77	22	1.25	11	4407	125.93	21	1.30	13	3863	108.24	21	1.40	15	3306	94.48	20	1.50	18	3207	80.13	19	1.55	21	2909	70.04	19	1.60	22	2641	65.10	18	1.65	24	2408	59.13	18	1.70	27	2159	52.46	17	1.80	30	1974	47.61	17	1.85	35	1721	40.92	16	1.95	40	1503	35.72	15	2.00	48	1284	30.29	15	2.20	14	3744	105.71	31	0.90	GS99 GSF99 GSA99 GSAF99	4P	26			3303			55.79			32			1.00			GS99 GSF99 GSA99 GSAF99															4P	16	3204	89.60	32	1.00	18	2817	78.26	33	1.10	20	2880	71.43	33	1.15	22	2367	65.45	34	1.20	24	2457	60.59	34	1.35	26	2268	55.79	34	1.45	29	2034	49.87	34	1.55	32	1836	44.89	34	1.60	35	1665	40.65	34			1.65			40			1485			36.05			34			1.75	GS99 GSF99 GSA99 GSAF99	4P	44	1341	32.60	34	1.80	52	1054	27.63	30	1.90	64	856	22.65	30	2.15	70	783	20.48	29	2.25	83	660	17.36	29	2.40	33	1773			44.03	26	0.90			37	1575	39.10			26	1.00	41			1413	34.96	26			1.10	46	1278			31.43	25	1.20	GS89 GSF89 GSA89 GSAF89	4P			53	1107	27.28	25	1.40			60	913	23.92	22	1.45			67	818	21.39	22	1.50			75			731	19.23	22	1.60					86	637	16.69	21	1.65					96	571	14.95	21	1.75	GS89 GSF89 GSA89 GSAF89			4P	116	472	12.40	20	1.85	134			409	10.78	19	1.95	15kW							13	7670	108.24	17	0.85	GS109 GSF109 GSA109 GSAF109	4P	15	6878	94.48	16	0.95	18	5833	80.13	16	1.10	21	5739	70.04	16	1.15	22	5210	65.10	16	1.20	25	4749	59.13	16	1.20	28	4259	52.46	15	1.30	31	3893	47.61	15	1.30	36	3395	40.92	15	1.40	41	2964	35.72	14	1.45	48	2532	30.29	14	1.55	55	2247	26.48	13	1.65	65	1899	22.39
119	348	12.07	2.8	0.90	GS69 GSF69 GSA69 GSAF69	4P	11kW																																																																																																																																																																																																																																																																																																																																																																																																																																																	
137	302	10.50	2.8	1.00			7.5kW							9.3	7717	156.41	20	0.85	GS109 GSF109 GSA109 GSAF109	4P	6.3	7465	229.96	24	0.85	6.8	6993	212.81	24	0.90	7.5	6345	190.74	23	1.00	8.4	5800	172.20	23			1.10	9.2	5335			156.41	22	1.20			10	4794	138.77			22	1.25	11			4407	125.93	21			1.30	13	3863			108.24	21	1.40	15	3306	94.48	20	1.50	18	3207	80.13	19	1.55	21	2909	70.04	19	1.60	22	2641	65.10	18	1.65	24	2408	59.13	18	1.70	27	2159	52.46	17	1.80	30	1974	47.61	17	1.85	35	1721	40.92	16	1.95	40	1503	35.72	15	2.00	48	1284	30.29	15	2.20	14	3744	105.71	31	0.90	GS99 GSF99 GSA99 GSAF99	4P	26	3303	55.79	32	1.00	GS99 GSF99 GSA99 GSAF99	4P	16	3204	89.60	32	1.00	18	2817	78.26	33	1.10			20			2880			71.43			33			1.15																			22	2367	65.45	34	1.20	24	2457	60.59	34	1.35	26	2268	55.79	34	1.45	29	2034	49.87	34	1.55	32	1836	44.89	34	1.60	35	1665	40.65	34	1.65	40	1485	36.05	34	1.75	GS99 GSF99 GSA99 GSAF99	4P	44	1341	32.60	34	1.80	52	1054			27.63			30			1.90			64			856			22.65			30	2.15	70	783	20.48	29	2.25	83	660	17.36	29	2.40	33	1773	44.03	26	0.90	37	1575	39.10	26	1.00	41	1413	34.96	26	1.10			46	1278	31.43			25	1.20	GS89 GSF89 GSA89 GSAF89			4P	53	1107			27.28	25	1.40			60	913	23.92			22	1.45	67					818	21.39	22	1.50	75			731	19.23	22	1.60	86			637	16.69	21	1.65	96			571			14.95	21	1.75	GS89 GSF89 GSA89 GSAF89					4P	116	472	12.40	20					1.85	134	409	10.78	19					1.95	15kW							13	7670	108.24	17	0.85	GS109 GSF109 GSA109 GSAF109	4P			15	6878	94.48	16	0.95	18	5833			80.13	16	1.10	21	5739	70.04	16	1.15	22	5210	65.10	16	1.20	25	4749	59.13	16	1.20	28	4259	52.46	15	1.30	31	3893	47.61	15	1.30	36	3395	40.92	15	1.40	41	2964	35.72	14	1.45	48	2532	30.29	14	1.55	55	2247	26.48	13	1.65	65	1899	22.39	13	1.75					
7.5kW							9.3	7717	156.41	20	0.85	GS109 GSF109 GSA109 GSAF109	4P																																																																																																																																																																																																																																																																																																																																																																																																																																											
6.3	7465	229.96	24	0.85	6.8	6993	212.81	24	0.90	7.5	6345			190.74	23	1.00	8.4	5800			172.20	23	1.10	9.2	5335	156.41	22	1.20	10	4794	138.77	22	1.25	11	4407	125.93	21	1.30	13			3863	108.24	21			1.40	15	3306			94.48	20	1.50			18	3207	80.13			19	1.55	21			2909	70.04	19			1.60	22	2641	65.10	18	1.65	24	2408	59.13	18	1.70	27	2159	52.46	17	1.80	30	1974	47.61	17	1.85	35	1721	40.92	16	1.95	40	1503	35.72	15	2.00	48	1284	30.29	15	2.20	14	3744	105.71	31	0.90	GS99 GSF99 GSA99 GSAF99	4P	26	3303	55.79	32	1.00	GS99 GSF99 GSA99 GSAF99	4P	16	3204	89.60	32	1.00	18	2817	78.26			33	1.10	20	2880	71.43			33	1.15	22	2367	65.45	34	1.20	24	2457	60.59			34			1.35			26			2268			55.79	34	1.45		29	2034														49.87	34	1.55	32	1836	44.89	34	1.60	35	1665	40.65	34	1.65	40	1485	36.05	34	1.75	GS99 GSF99 GSA99 GSAF99	4P	44	1341	32.60	34	1.80	52	1054	27.63	30	1.90	64	856	22.65	30	2.15			70	783	20.48	29	2.25	83	660	17.36	29	2.40	33	1773	44.03			26			0.90			37			1575			39.10	26	1.00	41	1413	34.96	26	1.10	46	1278	31.43	25	1.20	GS89 GSF89 GSA89 GSAF89	4P	53	1107	27.28	25	1.40	60	913	23.92	22	1.45	67	818	21.39	22	1.50	75	731	19.23	22	1.60	86					637	16.69			21	1.65	96			571	14.95	21			1.75	GS89 GSF89 GSA89 GSAF89	4P			116	472	12.40	20	1.85	134	409	10.78	19	1.95	15kW							13	7670	108.24	17			0.85			GS109 GSF109 GSA109 GSAF109	4P	15							6878	94.48	16	0.95					18	5833	80.13	16	1.10					21	5739	70.04	16	1.15	22			5210	65.10	16	1.20	25					4749	59.13	16	1.20	28	4259	52.46			15	1.30	31	3893	47.61	15	1.30	36	3395	40.92	15	1.40	41	2964	35.72	14	1.45	48	2532	30.29	14	1.55	55	2247	26.48	13	1.65	65	1899	22.39	13	1.75																										
6.8	6993	212.81	24	0.90	7.5	6345	190.74	23	1.00	8.4	5800			172.20	23	1.10	9.2	5335			156.41	22	1.20	10	4794	138.77	22	1.25	11	4407	125.93	21	1.30	13	3863	108.24	21	1.40	15			3306	94.48	20			1.50	18	3207			80.13	19	1.55			21	2909	70.04			19	1.60	22			2641	65.10	18			1.65	24	2408	59.13	18	1.70	27	2159	52.46	17	1.80	30	1974	47.61	17	1.85	35	1721	40.92	16	1.95	40	1503	35.72	15	2.00	48	1284	30.29	15	2.20	14	3744	105.71	31	0.90	GS99 GSF99 GSA99 GSAF99	4P	26	3303	55.79			32	1.00	GS99 GSF99 GSA99 GSAF99	4P	16			3204	89.60	32	1.00	18	2817	78.26	33			1.10	20	2880	71.43	33			1.15	22	2367	65.45	34	1.20	24	2457	60.59	34			1.35			26			2268			55.79	34	1.45	29	2034	49.87		34	1.55														32	1836	44.89	34	1.60	35	1665	40.65	34	1.65	40	1485	36.05	34	1.75	GS99 GSF99 GSA99 GSAF99	4P	44			1341	32.60	34	1.80	52	1054	27.63	30	1.90	64	856	22.65	30	2.15	70			783	20.48	29	2.25	83	660	17.36	29	2.40	33	1773	44.03	26	0.90	37	1575			39.10			26			1.00			41	1413	34.96	26	1.10	46	1278	31.43	25	1.20	GS89 GSF89 GSA89 GSAF89	4P	53			1107	27.28	25	1.40	60	913	23.92	22	1.45	67	818	21.39	22	1.50	75	731	19.23	22	1.60	86	637		16.69	21		1.65	96			571	14.95	21			1.75	GS89 GSF89 GSA89 GSAF89	4P			116					472	12.40	20	1.85	134	409	10.78	19	1.95	15kW							13	7670	108.24	17	0.85			GS109 GSF109 GSA109 GSAF109					4P							15	6878	94.48	16					0.95	18	5833	80.13	16					1.10	21	5739	70.04	16	1.15			22	5210	65.10	16	1.20					25	4749	59.13	16	1.20	28	4259			52.46	15	1.30	31	3893	47.61	15	1.30	36	3395	40.92	15	1.40	41	2964	35.72	14	1.45	48	2532	30.29	14	1.55	55	2247	26.48	13	1.65	65	1899	22.39	13	1.75																									
7.5	6345	190.74	23	1.00	8.4	5800	172.20	23	1.10	9.2	5335			156.41	22	1.20	10	4794			138.77	22	1.25	11	4407	125.93	21	1.30	13	3863	108.24	21	1.40	15	3306	94.48	20	1.50	18			3207	80.13	19			1.55	21	2909			70.04	19	1.60			22	2641	65.10			18	1.65	24			2408	59.13	18			1.70	27	2159	52.46	17	1.80	30	1974	47.61	17	1.85	35	1721	40.92	16	1.95	40	1503	35.72	15	2.00	48	1284	30.29	15	2.20	14	3744	105.71	31	0.90	GS99 GSF99 GSA99 GSAF99	4P	26	3303	55.79			32	1.00	GS99 GSF99 GSA99 GSAF99			4P	16			3204			89.60	32	1.00	18	2817	78.26	33	1.10			20	2880	71.43	33	1.15			22	2367	65.45	34	1.20	24	2457	60.59	34	1.35			26			2268			55.79	34	1.45	29	2034	49.87	34	1.55	32		1836	44.89														34	1.60	35	1665	40.65	34	1.65	40	1485	36.05	34	1.75	GS99 GSF99 GSA99 GSAF99	4P	44			1341			32.60	34	1.80	52	1054	27.63	30	1.90	64	856	22.65	30	2.15	70	783			20.48	29	2.25	83	660	17.36	29	2.40	33	1773	44.03	26	0.90	37	1575	39.10	26	1.00	41			1413			34.96			26	1.10	46	1278	31.43	25	1.20	GS89 GSF89 GSA89 GSAF89	4P	53			1107			27.28	25	1.40	60	913	23.92	22	1.45	67	818	21.39	22	1.50	75	731	19.23	22	1.60	86	637	16.69		21	1.65		96	571	14.95	21	1.75	GS89 GSF89 GSA89 GSAF89	4P			116					472					12.40	20	1.85	134	409	10.78	19	1.95	15kW							13	7670	108.24	17	0.85	GS109 GSF109 GSA109 GSAF109	4P	15													6878	94.48	16	0.95					18	5833	80.13	16	1.10					21	5739	70.04	16	1.15	22			5210	65.10	16	1.20	25					4749	59.13	16	1.20	28	4259	52.46			15	1.30	31	3893	47.61	15	1.30	36	3395	40.92	15	1.40	41	2964	35.72	14	1.45	48	2532	30.29	14	1.55	55	2247	26.48	13	1.65	65	1899	22.39	13	1.75																										
8.4	5800	172.20	23	1.10	9.2	5335	156.41	22	1.20	10	4794			138.77	22	1.25	11	4407			125.93	21	1.30	13	3863	108.24	21	1.40	15	3306	94.48	20	1.50	18	3207	80.13	19	1.55	21			2909	70.04	19			1.60	22	2641			65.10	18	1.65			24	2408	59.13			18	1.70	27			2159	52.46	17			1.80	30	1974	47.61	17	1.85	35	1721	40.92	16	1.95	40	1503	35.72	15	2.00	48	1284	30.29	15	2.20	14	3744	105.71	31	0.90	GS99 GSF99 GSA99 GSAF99	4P	26	3303	55.79			32	1.00	GS99 GSF99 GSA99 GSAF99			4P	16					3204			89.60			32	1.00	18	2817	78.26	33	1.10	20			2880	71.43	33	1.15	22			2367	65.45	34	1.20	24	2457	60.59	34	1.35	26			2268			55.79	34	1.45	29	2034	49.87	34	1.55	32	1836	44.89	34		1.60	35														1665	40.65	34	1.65	40	1485	36.05	34	1.75	GS99 GSF99 GSA99 GSAF99	4P	44			1341			32.60			34	1.80	52	1054	27.63	30	1.90	64	856	22.65	30	2.15	70	783	20.48			29	2.25	83	660	17.36	29	2.40	33	1773	44.03	26	0.90	37	1575	39.10	26	1.00	41	1413	34.96	26	1.10			46			1278	31.43	25	1.20	GS89 GSF89 GSA89 GSAF89	4P	53			1107			27.28			25	1.40	60	913	23.92	22	1.45	67	818	21.39	22	1.50	75	731	19.23	22	1.60	86	637	16.69	21		1.65	96		571	14.95	21	1.75	GS89 GSF89 GSA89 GSAF89			4P	116	472					12.40					20	1.85	134	409	10.78	19	1.95	15kW							13	7670	108.24	17	0.85	GS109 GSF109 GSA109 GSAF109			4P								15			6878		94.48	16	0.95	18					5833	80.13	16	1.10	21					5739	70.04	16	1.15	22	5210			65.10	16	1.20	25	4749					59.13	16	1.20	28	4259	52.46	15			1.30	31	3893	47.61	15	1.30	36	3395	40.92	15	1.40	41	2964	35.72	14	1.45	48	2532	30.29	14	1.55	55	2247	26.48	13	1.65	65	1899	22.39	13	1.75																											
9.2	5335	156.41	22	1.20	10	4794	138.77	22	1.25	11	4407			125.93	21	1.30	13	3863			108.24	21	1.40	15	3306	94.48	20	1.50	18	3207	80.13	19	1.55	21	2909	70.04	19	1.60	22			2641	65.10	18			1.65	24	2408			59.13	18	1.70			27	2159	52.46			17	1.80	30			1974	47.61	17			1.85	35	1721	40.92	16	1.95	40	1503	35.72	15	2.00	48	1284	30.29	15	2.20	14	3744	105.71	31	0.90	GS99 GSF99 GSA99 GSAF99	4P	26	3303	55.79			32	1.00	GS99 GSF99 GSA99 GSAF99			4P	16					3204					89.60			32			1.00	18	2817	78.26	33	1.10	20	2880			71.43	33	1.15	22	2367			65.45	34	1.20	24	2457	60.59	34	1.35	26	2268			55.79	34	1.45	29	2034	49.87	34	1.55	32	1836	44.89	34	1.60	35	1665		40.65	34														1.65	40	1485	36.05	34	1.75	GS99 GSF99 GSA99 GSAF99	4P	44			1341			32.60			34			1.80	52	1054	27.63	30	1.90	64	856	22.65	30	2.15	70	783	20.48	29			2.25	83	660	17.36	29	2.40	33	1773	44.03	26	0.90	37	1575	39.10	26	1.00	41	1413	34.96	26	1.10	46	1278	31.43	25			1.20	GS89 GSF89 GSA89 GSAF89	4P	53			1107			27.28			25			1.40	60	913	23.92	22	1.45	67	818	21.39	22	1.50	75	731	19.23	22	1.60	86	637	16.69	21	1.65		96	571		14.95	21	1.75	GS89 GSF89 GSA89 GSAF89					4P	116			472	12.40	20					1.85	134	409	10.78	19	1.95	15kW							13	7670	108.24	17	0.85	GS109 GSF109 GSA109 GSAF109												4P			15		6878	94.48	16	0.95	18			5833	80.13	16	1.10	21	5739					70.04	16	1.15	22	5210	65.10			16	1.20	25	4749	59.13					16	1.20	28	4259	52.46	15	1.30			31	3893	47.61	15	1.30	36	3395	40.92	15	1.40	41	2964	35.72	14	1.45	48	2532	30.29	14	1.55	55	2247	26.48	13	1.65	65	1899	22.39	13	1.75																												
10	4794	138.77	22	1.25	11	4407	125.93	21	1.30	13	3863			108.24	21	1.40	15	3306			94.48	20	1.50	18	3207	80.13	19	1.55	21	2909	70.04	19	1.60	22	2641	65.10	18	1.65	24			2408	59.13	18			1.70	27	2159			52.46	17	1.80			30	1974	47.61			17	1.85	35			1721	40.92	16			1.95	40	1503	35.72	15	2.00	48	1284	30.29	15	2.20	14	3744	105.71	31	0.90	GS99 GSF99 GSA99 GSAF99	4P	26	3303	55.79			32	1.00	GS99 GSF99 GSA99 GSAF99			4P	16					3204					89.60					32			1.00			18	2817	78.26	33	1.10	20	2880	71.43			33	1.15	22	2367	65.45			34	1.20	24	2457	60.59	34	1.35	26	2268	55.79	34	1.45	29	2034	49.87	34	1.55	32	1836	44.89	34	1.60	35	1665	40.65	34	1.65		40	1485														36.05	34	1.75	GS99 GSF99 GSA99 GSAF99	4P	44			1341			32.60			34			1.80			52	1054	27.63	30	1.90	64	856	22.65	30	2.15	70	783	20.48	29	2.25			83	660	17.36	29	2.40	33	1773	44.03	26	0.90	37	1575	39.10	26	1.00	41	1413	34.96	26	1.10	46	1278	31.43	25	1.20	GS89 GSF89 GSA89 GSAF89	4P	53			1107			27.28			25			1.40			60	913	23.92	22	1.45	67	818	21.39	22	1.50	75	731	19.23	22	1.60	86	637	16.69	21	1.65	96		571	14.95		21	1.75	GS89 GSF89 GSA89 GSAF89							4P			116	472	12.40			20	1.85	134	409	10.78	19	1.95	15kW							13	7670	108.24	17	0.85	GS109 GSF109 GSA109 GSAF109																4P		15	6878	94.48	16	0.95			18	5833	80.13	16	1.10	21	5739			70.04	16	1.15	22	5210	65.10	16			1.20	25	4749	59.13	16					1.20	28	4259	52.46	15	1.30	31			3893	47.61	15	1.30	36	3395	40.92	15	1.40	41	2964	35.72	14	1.45	48	2532	30.29	14	1.55	55	2247	26.48	13	1.65	65	1899	22.39	13	1.75																													
11	4407	125.93	21	1.30	13	3863	108.24	21	1.40	15	3306			94.48	20	1.50	18	3207			80.13	19	1.55	21	2909	70.04	19	1.60	22	2641	65.10	18	1.65	24	2408	59.13	18	1.70	27			2159	52.46	17			1.80	30	1974			47.61	17	1.85			35	1721	40.92			16	1.95	40			1503	35.72	15			2.00	48	1284	30.29	15	2.20	14	3744	105.71	31	0.90	GS99 GSF99 GSA99 GSAF99	4P	26	3303	55.79			32	1.00	GS99 GSF99 GSA99 GSAF99			4P	16					3204					89.60					32					1.00			18			2817	78.26	33	1.10	20	2880	71.43	33			1.15	22	2367	65.45	34			1.20	24	2457	60.59	34	1.35	26	2268	55.79	34	1.45	29	2034	49.87	34	1.55	32	1836	44.89	34	1.60	35	1665	40.65	34	1.65	40		1485	36.05														34	1.75	GS99 GSF99 GSA99 GSAF99			4P			44			1341			32.60			34			1.80	52	1054	27.63	30	1.90	64	856	22.65	30	2.15	70	783	20.48	29			2.25	83	660	17.36	29	2.40	33	1773	44.03	26	0.90	37	1575	39.10	26	1.00	41	1413	34.96	26	1.10	46	1278	31.43	25			1.20			GS89 GSF89 GSA89 GSAF89			4P			53			1107			27.28	25	1.40	60	913	23.92	22	1.45	67	818	21.39	22	1.50	75	731	19.23	22	1.60	86	637	16.69		21	1.65		96	571											14.95	21	1.75			GS89 GSF89 GSA89 GSAF89	4P	116	472	12.40	20	1.85	134	409	10.78	19	1.95	15kW																									13	7670	108.24	17	0.85			GS109 GSF109 GSA109 GSAF109	4P	15	6878	94.48	16	0.95			18	5833	80.13	16	1.10	21	5739			70.04	16	1.15	22	5210					65.10	16	1.20	25	4749	59.13	16			1.20	28	4259	52.46	15	1.30	31	3893	47.61	15	1.30	36	3395	40.92	15	1.40	41	2964	35.72	14	1.45	48	2532	30.29	14	1.55	55	2247	26.48	13	1.65	65	1899	22.39	13	1.75																						
13	3863	108.24	21	1.40	15	3306	94.48	20	1.50	18	3207			80.13	19	1.55	21	2909			70.04	19	1.60	22	2641	65.10	18	1.65	24	2408	59.13	18	1.70	27	2159	52.46	17	1.80	30			1974	47.61	17			1.85	35	1721			40.92	16	1.95			40	1503	35.72			15	2.00	48			1284	30.29	15			2.20	14	3744	105.71	31	0.90	GS99 GSF99 GSA99 GSAF99	4P	26	3303	55.79			32	1.00	GS99 GSF99 GSA99 GSAF99			4P	16					3204					89.60					32					1.00					18			2817			78.26	33	1.10	20	2880	71.43	33	1.15	22	2367	65.45	34	1.20	24	2457			60.59	34	1.35	26	2268	55.79	34	1.45	29	2034	49.87	34	1.55	32	1836	44.89	34	1.60	35	1665	40.65	34	1.65	40	1485	36.05	34		1.75	GS99 GSF99 GSA99 GSAF99														4P	44							1341			32.60			34			1.80			52	1054	27.63	30	1.90	64	856	22.65	30	2.15	70	783	20.48	29	2.25	83	660	17.36	29	2.40	33	1773	44.03	26	0.90	37	1575	39.10	26	1.00	41	1413	34.96	26	1.10	46	1278	31.43	25	1.20	GS89 GSF89 GSA89 GSAF89	4P			53									1107			27.28			25	1.40	60	913	23.92	22	1.45	67	818	21.39	22	1.50	75	731	19.23	22	1.60	86	637	16.69	21	1.65	96	571	14.95	21	1.75											GS89 GSF89 GSA89 GSAF89	4P	116					472	12.40	20	1.85	134	409	10.78	19	1.95	15kW							13													7670					108.24	17	0.85	GS109 GSF109 GSA109 GSAF109	4P	15					6878	94.48	16	0.95	18			5833	80.13	16	1.10	21	5739	70.04			16	1.15	22	5210	65.10					16	1.20	25	4749	59.13	16	1.20			28	4259	52.46	15	1.30	31	3893	47.61	15	1.30	36	3395	40.92	15	1.40	41	2964	35.72	14	1.45	48	2532	30.29	14	1.55	55	2247	26.48	13	1.65	65	1899	22.39	13	1.75																							
15	3306	94.48	20	1.50	18	3207	80.13	19	1.55	21	2909			70.04	19	1.60	22	2641			65.10	18	1.65	24	2408	59.13	18	1.70	27	2159	52.46	17	1.80	30	1974	47.61	17	1.85	35			1721	40.92	16			1.95	40	1503			35.72	15	2.00			48	1284	30.29			15	2.20	14			3744	105.71	31			0.90	GS99 GSF99 GSA99 GSAF99	4P	26	3303	55.79			32	1.00	GS99 GSF99 GSA99 GSAF99			4P	16					3204					89.60					32					1.00					18					2817			78.26			33	1.10	20	2880	71.43	33	1.15	22	2367	65.45	34	1.20	24	2457	60.59			34	1.35	26	2268	55.79	34	1.45	29	2034	49.87	34	1.55	32	1836	44.89	34	1.60	35	1665	40.65	34	1.65	40	1485	36.05	34	1.75		GS99 GSF99 GSA99 GSAF99																4P							44			1341			32.60			34			1.80	52	1054	27.63	30	1.90	64	856	22.65	30	2.15	70	783	20.48	29	2.25	83	660	17.36	29	2.40	33	1773	44.03	26	0.90	37	1575	39.10	26	1.00	41	1413	34.96	26	1.10	46	1278	31.43	25					1.20									GS89 GSF89 GSA89 GSAF89			4P			53	1107	27.28	25	1.40	60	913	23.92	22	1.45	67	818	21.39	22	1.50	75	731	19.23	22	1.60	86	637	16.69	21	1.65	96	571													14.95					21	1.75	GS89 GSF89 GSA89 GSAF89	4P	116	472	12.40	20	1.85	134	409	10.78	19	1.95	15kW															13					7670	108.24	17			0.85					GS109 GSF109 GSA109 GSAF109	4P	15	6878	94.48			16	0.95	18	5833	80.13	16	1.10			21	5739	70.04	16	1.15					22	5210	65.10	16	1.20	25	4749			59.13	16	1.20	28	4259	52.46	15	1.30	31	3893	47.61	15	1.30	36	3395	40.92	15	1.40	41	2964	35.72	14	1.45	48	2532	30.29	14	1.55	55	2247	26.48	13	1.65	65	1899	22.39	13	1.75																				
18	3207	80.13	19	1.55	21	2909	70.04	19	1.60	22	2641			65.10	18	1.65	24	2408			59.13	18	1.70	27	2159	52.46	17	1.80	30	1974	47.61	17	1.85	35	1721	40.92	16	1.95	40			1503	35.72	15			2.00	48	1284			30.29	15	2.20			14	3744	105.71			31	0.90	GS99 GSF99 GSA99 GSAF99			4P	26	3303	55.79	32	1.00			GS99 GSF99 GSA99 GSAF99	4P	16			3204	89.60					32					1.00					18					2817					78.26					33		1.10	20		2880			71.43			33	1.15	22	2367	65.45	34	1.20	24	2457	60.59	34	1.35	26	2268	55.79			34	1.45	29	2034	49.87	34	1.55	32	1836	44.89	34	1.60	35	1665	40.65	34	1.65	40	1485	36.05	34	1.75	GS99 GSF99 GSA99 GSAF99	4P	44	1341	32.60									34	1.80															52			1054			27.63			30	1.90	64	856	22.65	30	2.15	70	783	20.48	29	2.25	83	660	17.36	29	2.40	33	1773	44.03	26	0.90	37	1575	39.10	26	1.00	41	1413	34.96	26	1.10	46	1278	31.43	25	1.20	GS89 GSF89 GSA89 GSAF89	4P	53	1107	27.28	25					1.40													60	913	23.92	22	1.45	67	818	21.39	22	1.50	75	731	19.23	22	1.60	86	637	16.69	21	1.65	96	571	14.95	21	1.75	GS89 GSF89 GSA89 GSAF89	4P	116	472													12.40	20	1.85			134	409			10.78	19	1.95	15kW							13	7670	108.24								17	0.85				GS109 GSF109 GSA109 GSAF109					4P	15	6878			94.48							16	0.95	18			5833	80.13	16	1.10	21	5739	70.04			16	1.15	22	5210	65.10					16	1.20	25	4749	59.13	16	1.20			28	4259	52.46	15	1.30	31	3893	47.61	15	1.30	36	3395	40.92	15	1.40	41	2964	35.72	14	1.45	48	2532	30.29	14	1.55	55	2247	26.48	13	1.65	65	1899	22.39	13	1.75																							
21	2909	70.04	19	1.60	22	2641	65.10	18	1.65	24	2408			59.13	18	1.70	27	2159			52.46	17	1.80	30	1974	47.61	17	1.85	35	1721	40.92	16	1.95	40	1503	35.72	15	2.00	48			1284	30.29	15			2.20	14	3744			105.71	31	0.90			GS99 GSF99 GSA99 GSAF99	4P	26			3303	55.79		32	1.00		GS99 GSF99 GSA99 GSAF99	4P	16	3204	89.60					32			1.00	18					2817					78.26					33					1.10					20		2880	71.43		33		1.15	22		2367			65.45			34	1.20	24	2457	60.59	34	1.35	26	2268	55.79	34	1.45	29	2034	49.87			34	1.55	32	1836	44.89	34	1.60	35	1665	40.65	34	1.65	40	1485	36.05	34	1.75	GS99 GSF99 GSA99 GSAF99	4P	44	1341	32.60			34	1.80	52								1054	27.63	30	1.90														64			856			22.65	30	2.15	70	783	20.48	29	2.25	83	660	17.36	29	2.40	33	1773	44.03	26	0.90	37	1575	39.10	26	1.00	41	1413	34.96	26	1.10	46	1278	31.43	25	1.20	GS89 GSF89 GSA89 GSAF89	4P	53	1107	27.28	25	1.40			60	913	23.92	22					1.45										67	818		21.39	22	1.50	75	731	19.23	22	1.60	86	637	16.69	21	1.65	96	571	14.95	21	1.75	GS89 GSF89 GSA89 GSAF89	4P	116	472	12.40	20	1.85			134	409									10.78	19			1.95	15kW								13	7670	108.24	17	0.85	GS109 GSF109 GSA109 GSAF109	4P	15	6878	94.48	16	0.95	18								5833	80.13						16	1.10			21	5739			70.04							16	1.15	22			5210	65.10	16	1.20	25	4749	59.13			16	1.20	28	4259	52.46					15	1.30	31	3893	47.61	15	1.30			36	3395	40.92	15	1.40	41	2964	35.72	14	1.45	48	2532	30.29	14	1.55	55	2247	26.48	13	1.65	65	1899	22.39	13	1.75																																	
22	2641	65.10	18	1.65	24	2408	59.13	18	1.70	27	2159			52.46	17	1.80	30	1974			47.61	17	1.85	35	1721	40.92	16	1.95	40	1503	35.72	15	2.00	48	1284	30.29	15	2.20	14			3744	105.71	31			0.90	GS99 GSF99 GSA99 GSAF99	4P			26	3303	55.79					32	1.00	GS99 GSF99 GSA99 GSAF99	4P	16		3204	89.60				32	1.00	18					2817			78.26	33					1.10					20					2880					71.43		33	1.15		22		2367	65.45		34		1.20	24		2457			60.59			34	1.35	26	2268	55.79	34	1.45	29	2034	49.87	34	1.55	32	1836	44.89			34	1.60	35	1665	40.65	34	1.65	40	1485	36.05	34	1.75	GS99 GSF99 GSA99 GSAF99	4P	44	1341	32.60			34	1.80	52			1054	27.63	30							1.90	64	856	22.65	30	2.15													70			783	20.48	29	2.25	83	660	17.36	29	2.40	33	1773	44.03	26	0.90	37	1575	39.10	26	1.00	41	1413	34.96	26	1.10	46	1278	31.43	25	1.20	GS89 GSF89 GSA89 GSAF89	4P	53	1107	27.28	25	1.40			60	913	23.92	22	1.45			67	818	21.39	22					1.50							75	731		19.23	22		1.60	86	637	16.69	21	1.65	96	571	14.95	21	1.75	GS89 GSF89 GSA89 GSAF89	4P	116	472	12.40	20	1.85			134	409	10.78	19	1.95			15kW										13	7670			108.24	17	0.85			GS109 GSF109 GSA109 GSAF109	4P			15	6878	94.48	16	0.95			18	5833	80.13	16	1.10	21								5739	70.04						16	1.15			22	5210			65.10	16	1.20					25	4749	59.13			16	1.20	28	4259	52.46	15	1.30			31	3893	47.61	15	1.30					36	3395	40.92	15	1.40	41	2964			35.72	14	1.45	48	2532	30.29	14	1.55	55	2247	26.48	13	1.65	65	1899	22.39	13	1.75																																								
24	2408	59.13	18	1.70	27	2159	52.46	17	1.80	30	1974			47.61	17	1.85	35	1721			40.92	16	1.95	40	1503	35.72	15	2.00	48	1284	30.29	15	2.20	14	3744	105.71	31	0.90	GS99 GSF99 GSA99 GSAF99			4P	26	3303			55.79					32	1.00	GS99 GSF99 GSA99 GSAF99	4P	16			3204	89.60			32		1.00	18				2817	78.26	33					1.10			20	2880					71.43					33					1.15		22	2367		65.45		34	1.20		24		2457	60.59		34		1.35	26		2268			55.79			34	1.45	29	2034	49.87	34	1.55	32	1836	44.89	34	1.60	35	1665	40.65			34	1.65	40	1485	36.05	34	1.75	GS99 GSF99 GSA99 GSAF99	4P	44	1341	32.60			34	1.80	52			1054	27.63	30			1.90	64	856						22.65	30	2.15	70	783	20.48	29	2.25												83	660	17.36	29	2.40	33	1773	44.03	26	0.90	37	1575	39.10	26	1.00	41	1413	34.96	26	1.10	46	1278	31.43	25	1.20	GS89 GSF89 GSA89 GSAF89	4P	53	1107	27.28	25	1.40			60	913	23.92	22	1.45			67	818	21.39	22	1.50			75	731	19.23	22					1.60				86	637		16.69	21		1.65	96		571	14.95	21	1.75	GS89 GSF89 GSA89 GSAF89	4P	116	472	12.40	20	1.85			134	409	10.78	19	1.95			15kW							13	7670			108.24	17	0.85	GS109 GSF109 GSA109 GSAF109			4P	15			6878	94.48	16							0.95	18	5833	80.13	16			1.10	21	5739	70.04	16	1.15								22	5210						65.10	16			1.20	25			4749	59.13	16					1.20	28	4259	52.46	15	1.30	31	3893	47.61	15	1.30	36			3395	40.92	15	1.40	41					2964	35.72	14	1.45	48	2532	30.29			14	1.55	55	2247	26.48	13	1.65	65	1899	22.39	13	1.75																																														
27	2159	52.46	17	1.80	30	1974	47.61	17	1.85	35	1721			40.92	16	1.95	40	1503			35.72	15	2.00	48	1284	30.29	15	2.20	14	3744	105.71	31	0.90	GS99 GSF99 GSA99 GSAF99	4P	26	3303	55.79					32	1.00			GS99 GSF99 GSA99 GSAF99			4P	16	3204	89.60			32			1.00	18			2817		78.26	33				1.10	20	2880					71.43			33	1.15					22					2367		65.45	34		1.20		24	2457		60.59		34	1.35		26		2268	55.79		34		1.45	29		2034			49.87			34	1.55	32	1836	44.89	34	1.60	35	1665	40.65	34	1.65	40	1485	36.05			34	1.75	GS99 GSF99 GSA99 GSAF99	4P	44	1341	32.60			34	1.80	52			1054	27.63	30			1.90	64	856			22.65	30	2.15					70	783	20.48	29	2.25	83	660	17.36	29	2.40									33	1773	44.03	26	0.90	37	1575	39.10	26	1.00	41	1413	34.96	26	1.10	46	1278	31.43	25	1.20	GS89 GSF89 GSA89 GSAF89	4P	53	1107	27.28	25	1.40			60	913	23.92	22	1.45			67	818	21.39	22	1.50			75	731	19.23	22	1.60			86	637	16.69	21					1.65	96	571		14.95	21		1.75	GS89 GSF89 GSA89 GSAF89		4P	116		472	12.40	20	1.85			134	409	10.78	19	1.95			15kW							13	7670	108.24	17	0.85			GS109 GSF109 GSA109 GSAF109	4P		15	6878	94.48	16		0.95			18			5833	80.13	16							1.10	21	5739	70.04	16			1.15	22	5210	65.10	16	1.20								25	4749						59.13	16			1.20	28			4259	52.46	15					1.30	31	3893	47.61	15	1.30	36	3395	40.92	15	1.40	41	2964	35.72	14	1.45	48	2532	30.29					14	1.55	55	2247	26.48	13	1.65			65	1899	22.39	13	1.75																																																					
30	1974	47.61	17	1.85	35	1721	40.92	16	1.95	40	1503			35.72	15	2.00	48	1284			30.29	15	2.20	14	3744	105.71	31	0.90	GS99 GSF99 GSA99 GSAF99	4P	26	3303	55.79			32	1.00	GS99 GSF99 GSA99 GSAF99					4P	16	3204	89.60					32	1.00	18			2817			78.26	33			1.10		20	2880				71.43	33	1.15					22			2367	65.45					34		1.20	24		2457		60.59	34		1.35		26	2268		55.79		34	1.45		29		2034	49.87		34		1.55	32		1836			44.89			34	1.60	35	1665	40.65	34	1.65	40	1485	36.05	34	1.75	GS99 GSF99 GSA99 GSAF99	4P	44			1341	32.60			34	1.80	52			1054	27.63	30			1.90	64	856			22.65	30	2.15			70	783	20.48				29	2.25	83	660	17.36	29	2.40	33	1773	44.03	26	0.90					37	1575		39.10	26	1.00	41	1413	34.96	26	1.10	46	1278	31.43	25	1.20	GS89 GSF89 GSA89 GSAF89	4P	53	1107	27.28	25	1.40			60	913	23.92	22	1.45			67	818	21.39	22	1.50			75	731	19.23	22	1.60			86	637	16.69	21	1.65			96	571	14.95	21			1.75	GS89 GSF89 GSA89 GSAF89	4P	116	472		12.40	20		1.85				134		409	10.78	19	1.95			15kW							13	7670	108.24	17	0.85			GS109 GSF109 GSA109 GSAF109	4P	15	6878	94.48					16	0.95	18	5833	80.13		16	1.10		21			5739	70.04	16							1.15	22	5210	65.10	16			1.20	25	4749	59.13	16	1.20								28	4259						52.46	15			1.30	31			3893	47.61	15					1.30	36	3395	40.92	15	1.40	41	2964	35.72	14	1.45	48	2532	30.29	14	1.55	55	2247	26.48			13	1.65	65	1899	22.39	13	1.75																																																														
35	1721	40.92	16	1.95	40	1503	35.72	15	2.00	48	1284			30.29	15	2.20	14	3744			105.71	31	0.90	GS99 GSF99 GSA99 GSAF99	4P	26	3303	55.79			32	1.00	GS99 GSF99 GSA99 GSAF99			4P	16			3204	89.60			32	1.00	18					2817	78.26	33			1.10			20	2880			71.43		33	1.15				22	2367	65.45					34			1.20	24		2457	60.59		34		1.35	26		2268		55.79	34		1.45		29	2034		49.87		34	1.55		32		1836	44.89		34		1.60	35		1665			40.65			34	1.65	40	1485	36.05	34	1.75	GS99 GSF99 GSA99 GSAF99	4P	44	1341	32.60			34			1.80	52			1054	27.63	30			1.90	64	856			22.65	30	2.15			70	783	20.48			29	2.25	83	660			17.36	29	2.40	33	1773	44.03	26	0.90	37	1575	39.10	26	1.00			41	1413	34.96	26	1.10	46	1278	31.43	25	1.20	GS89 GSF89 GSA89 GSAF89	4P	53	1107	27.28	25	1.40			60	913	23.92	22	1.45			67	818	21.39	22	1.50			75	731	19.23	22	1.60			86	637	16.69	21	1.65			96	571	14.95	21	1.75			GS89 GSF89 GSA89 GSAF89	4P	116	472			12.40			20	1.85	134	409	10.78	19	1.95				15kW								13	7670	108.24	17	0.85			GS109 GSF109 GSA109 GSAF109	4P	15	6878	94.48					16	0.95	18					5833	80.13	16	1.10	21		5739	70.04		16			1.15	22	5210	65.10	16					1.20	25	4749	59.13	16			1.20	28	4259	52.46	15	1.30								31	3893						47.61	15			1.30	36			3395	40.92	15					1.40	41	2964	35.72	14	1.45	48	2532	30.29	14	1.55	55	2247	26.48	13	1.65	65	1899	22.39			13	1.75																																																																			
40	1503	35.72	15	2.00	48	1284	30.29	15	2.20	14	3744			105.71	31	0.90	GS99 GSF99 GSA99 GSAF99	4P			26	3303	55.79			32	1.00	GS99 GSF99 GSA99 GSAF99			4P	16					3204			89.60	32			1.00	18	2817					78.26	33	1.10			20			2880	71.43			33		1.15	22				2367	65.45	34					1.20	24	2457	60.59	34		1.35	26		2268		55.79	34		1.45		29	2034		49.87		34	1.55		32		1836	44.89		34		1.60	35		1665		40.65	34		1.65			40			1485	36.05	34	1.75	GS99 GSF99 GSA99 GSAF99	4P	44			1341	32.60	34			1.80			52	1054			27.63	30	1.90			64	856	22.65			30	2.15	70			783	20.48	29			2.25	83	660	17.36		29	2.40	33	1773	44.03	26	0.90	37	1575	39.10	26	1.00	41	1413	34.96		26	1.10	46	1278	31.43	25	1.20	GS89 GSF89 GSA89 GSAF89	4P	53			1107	27.28	25	1.40	60			913	23.92	22	1.45	67			818	21.39	22	1.50	75			731	19.23	22	1.60	86			637	16.69	21	1.65	96			571	14.95	21	1.75	GS89 GSF89 GSA89 GSAF89					4P	116	472	12.40	20			1.85	134	409	10.78	19	1.95	15kW							13	7670	108.24			17	0.85	GS109 GSF109 GSA109 GSAF109	4P	15					6878	94.48	16					0.95	18	5833					80.13	16	1.10	21	5739		70.04	16		1.15	22	5210	65.10	16	1.20	25	4749					59.13	16	1.20	28	4259			52.46	15	1.30	31	3893	47.61								15	1.30						36	3395			40.92	15			1.40	41	2964					35.72	14	1.45	48	2532	30.29	14	1.55	55	2247	26.48	13	1.65	65	1899	22.39	13	1.75																																																																								
48	1284	30.29	15	2.20	14	3744	105.71	31	0.90	GS99 GSF99 GSA99 GSAF99	4P			26	3303	55.79			32	1.00	GS99 GSF99 GSA99 GSAF99	4P	16			3204	89.60					32					1.00			18	2817			78.26	33	1.10					20	2880	71.43			33			1.15	22			2367		65.45	34				1.20	24	2457	60.59	34			1.35	26	2268	55.79	34		1.45	29		2034		49.87	34		1.55		32	1836		44.89		34	1.60		35		1665	40.65		34		1.65	40		1485		36.05	34		1.75			GS99 GSF99 GSA99 GSAF99			4P	44	1341	32.60			34			1.80	52	1054			27.63	30	1.90	64	856			22.65	30	2.15			70	783	20.48			29	2.25	83			660	17.36	29			2.40	33	1773	44.03	26	0.90	37	1575	39.10	26	1.00	41	1413	34.96	26	1.10	46	1278	31.43	25	1.20	GS89 GSF89 GSA89 GSAF89	4P	53	1107	27.28	25	1.40			60			913	23.92	22	1.45	67			818	21.39	22	1.50	75			731	19.23	22	1.60	86			637	16.69	21	1.65	96			571	14.95	21	1.75	GS89 GSF89 GSA89 GSAF89			4P	116	472	12.40							20	1.85	134	409			10.78	19	1.95	15kW							13	7670	108.24	17	0.85	GS109 GSF109 GSA109 GSAF109			4P	15			6878					94.48	16	0.95					18	5833	80.13					16	1.10	21	5739	70.04		16	1.15		22	5210	65.10	16	1.20	25	4749	59.13			16	1.20	28	4259	52.46	15	1.30			31	3893	47.61	15	1.30	36								3395	40.92						15	1.40			41	2964			35.72	14	1.45					48	2532	30.29	14	1.55	55	2247	26.48	13	1.65	65	1899	22.39	13	1.75																																																																											
14	3744	105.71	31	0.90	GS99 GSF99 GSA99 GSAF99	4P	26	3303	55.79			32	1.00	GS99 GSF99 GSA99 GSAF99	4P																																																																																																																																																																																																																																																																																																																																																																																																																																									
16	3204	89.60	32	1.00			18	2817	78.26			33	1.10			20			2880	71.43			33			1.15	22					2367					65.45			34	1.20			24	2457	60.59					34	1.35	26			2268	55.79	34	1.45	29			2034	49.87	34	1.55	32			1836	44.89	34	1.60	35			1665	40.65	34	1.65	40		1485	36.05		34		1.75	GS99 GSF99 GSA99 GSAF99		4P		44	1341		32.60		34	1.80		52		1054	27.63		30		1.90	64		856		22.65	30		2.15				70	783		20.48	29	2.25			83			660	17.36	29			2.40	33	1773	44.03	26			0.90	37	1575			39.10	26	1.00			41	1413	34.96	26	1.10	46	1278	31.43	25	1.20	GS89 GSF89 GSA89 GSAF89	4P	53	1107	27.28	25	1.40	60	913	23.92	22	1.45	67	818	21.39	22	1.50	75	731	19.23	22			1.60	86	637	16.69	21			1.65			96	571	14.95	21	1.75			GS89 GSF89 GSA89 GSAF89	4P	116	472	12.40			20	1.85	134	409	10.78			19	1.95	15kW							13	7670		108.24	17		0.85	GS109 GSF109 GSA109 GSAF109	4P		15	6878				94.48	16	0.95	18			5833	80.13	16	1.10	21	5739	70.04		16		1.15	22	5210	65.10	16					1.20			25					4749	59.13	16	1.20	28			4259	52.46	15	1.30	31			3893	47.61	15	1.30	36		3395	40.92		15	1.40	41	2964	35.72	14	1.45	48			2532	30.29	14	1.55	55	2247	26.48			13	1.65	65	1899	22.39	13								1.75																																																																																																															
18	2817	78.26	33	1.10			20	2880	71.43			33	1.15			22			2367	65.45			34			1.20	24					2457					60.59			34	1.35			26	2268	55.79		34	1.45		29	2034	49.87			34	1.55	32	1836	44.89			34	1.60	35	1665	40.65			34	1.65	40	1485	36.05			34	1.75	GS99 GSF99 GSA99 GSAF99	4P	44		1341	32.60		34		1.80					52	1054		27.63		30	1.90		64		856	22.65		30		2.15	70		783		20.48	29		2.25	83	660		17.36	29		2.40	33	1773			44.03			26	0.90	37			1575	39.10	26	1.00	41			1413	34.96	26			1.10	46	1278	31.43	25	1.20	GS89 GSF89 GSA89 GSAF89	4P	53	1107	27.28	25	1.40	60	913			23.92	22	1.45	67	818	21.39	22	1.50	75	731	19.23	22	1.60	86	637	16.69	21	1.65	96			571	14.95	21	1.75	GS89 GSF89 GSA89 GSAF89			4P			116	472	12.40	20	1.85					134	409	10.78			19	1.95	15kW							13	7670	108.24	17	0.85	GS109 GSF109 GSA109 GSAF109	4P	15	6878		94.48	16		0.95				18	5833				80.13	16	1.10	21			5739	70.04	16	1.15	22	5210	65.10		16		1.20	25	4749	59.13	16					1.20			28	4259	52.46			15	1.30	31	3893	47.61			15	1.30	36	3395	40.92			15	1.40	41	2964	35.72		14	1.45		48	2532	30.29	14	1.55	55	2247	26.48			13	1.65	65	1899	22.39	13	1.75																																																																																																																															
20	2880	71.43	33	1.15			22	2367	65.45			34	1.20			24			2457	60.59			34			1.35	26					2268					55.79		34	1.45	29	2034		49.87	34	1.55		32	1836		44.89	34	1.60			35	1665	40.65	34	1.65			40	1485	36.05	34	1.75			GS99 GSF99 GSA99 GSAF99	4P	44	1341	32.60			34	1.80			52		1054	27.63		30		1.90					64	856		22.65		30	2.15		70		783	20.48		29		2.25	83		660	17.36	29	2.40	33	1773	44.03	26		0.90	37		1575	39.10	26			1.00			41	1413	34.96			26	1.10	46	1278	31.43			25	1.20	GS89 GSF89 GSA89 GSAF89	4P	53	1107	27.28	25	1.40	60	913			23.92	22	1.45	67	818	21.39	22			1.50	75	731	19.23	22	1.60	86	637	16.69	21	1.65	96	571	14.95	21	1.75	GS89 GSF89 GSA89 GSAF89	4P	116			472	12.40	20	1.85							134	409	10.78	19	1.95					15kW							13	7670	108.24	17	0.85	GS109 GSF109 GSA109 GSAF109	4P	15	6878	94.48	16	0.95			18	5833		80.13	16		1.10				21	5739				70.04	16	1.15	22			5210	65.10	16	1.20	25	4749	59.13		16		1.20	28	4259	52.46	15		1.30	31		3893			47.61	15	1.30			36	3395	40.92	15	1.40			41	2964	35.72	14	1.45			48	2532	30.29	14	1.55		55	2247		26.48	13	1.65	65	1899	22.39	13	1.75																																																																																																																																								
22	2367	65.45	34	1.20			24	2457	60.59			34	1.35			26			2268	55.79			34			1.45	29					2034		49.87	34		1.55		32	1836	44.89	34		1.60	35	1665		40.65	34		1.65	40	1485			36.05	34	1.75	GS99 GSF99 GSA99 GSAF99	4P			44	1341	32.60	34	1.80					52	1054	27.63			30	1.90			64		856	22.65		30		2.15					70	783		20.48		29	2.25		83		660	17.36		29	2.40	33	1773	44.03	26	0.90	37	1575	39.10	26	1.00	41		1413	34.96		26	1.10	46			1278			31.43	25	1.20			GS89 GSF89 GSA89 GSAF89	4P	53	1107	27.28	25	1.40	60	913			23.92	22	1.45	67	818	21.39	22			1.50	75	731	19.23	22	1.60	86			637	16.69	21	1.65	96	571	14.95	21	1.75	GS89 GSF89 GSA89 GSAF89	4P	116	472	12.40	20	1.85			134			409	10.78	19	1.95							15kW									13	7670	108.24	17	0.85	GS109 GSF109 GSA109 GSAF109	4P	15	6878	94.48	16	0.95			18	5833	80.13	16	1.10			21	5739		70.04	16		1.15				22	5210				65.10	16	1.20	25			4749	59.13	16	1.20	28	4259	52.46	15	1.30	31	3893	47.61	15	1.30	36		3395	40.92		15			1.40	41	2964			35.72	14	1.45	48	2532			30.29	14	1.55	55	2247			26.48	13	1.65	65	1899		22.39	13		1.75																																																																																																																																															
24	2457	60.59	34	1.35			26	2268	55.79			34	1.45			29			2034	49.87			34			1.55	32		1836	44.89		34		1.60	35		1665		40.65	34	1.65	40		1485	36.05	34		1.75	GS99 GSF99 GSA99 GSAF99		4P	44	1341			32.60	34	1.80					52	1054	27.63	30	1.90					64	856	22.65			30	2.15			70		783	20.48		29		2.25					83	660		17.36		29	2.40		33	1773	44.03	26	0.90	37	1575	39.10	26	1.00	41	1413	34.96	26	1.10	46	1278	31.43		25	1.20		GS89 GSF89 GSA89 GSAF89	4P	53			1107			27.28	25	1.40	60	913			23.92	22	1.45	67	818	21.39	22			1.50	75	731	19.23	22	1.60	86			637	16.69	21	1.65	96	571	14.95			21	1.75	GS89 GSF89 GSA89 GSAF89	4P	116	472	12.40	20	1.85			134	409	10.78	19	1.95			15kW													13	7670	108.24	17	0.85	GS109 GSF109 GSA109 GSAF109	4P			15	6878	94.48	16	0.95			18	5833	80.13	16	1.10			21	5739	70.04	16	1.15			22	5210		65.10	16		1.20				25	4749				59.13	16	1.20	28	4259	52.46	15	1.30	31	3893	47.61	15	1.30	36	3395	40.92	15	1.40	41	2964	35.72		14	1.45		48			2532	30.29	14			1.55	55	2247	26.48	13			1.65	65	1899	22.39	13			1.75																																																																																																																																																								
26	2268	55.79	34	1.45			29	2034	49.87			34	1.55			32			1836	44.89			34	1.60	35	1665	40.65		34	1.65		40		1485	36.05		34		1.75	GS99 GSF99 GSA99 GSAF99	4P	44		1341	32.60	34		1.80				52	1054			27.63	30	1.90					64	856	22.65	30	2.15					70	783	20.48			29	2.25			83		660	17.36		29		2.40					33	1773		44.03	26	0.90	37	1575	39.10	26	1.00	41	1413	34.96	26	1.10	46	1278	31.43	25	1.20	GS89 GSF89 GSA89 GSAF89	4P	53	1107	27.28		25	1.40				60			913	23.92	22	1.45	67	818	21.39	22			1.50	75	731	19.23	22	1.60	86			637	16.69	21	1.65	96	571	14.95			21	1.75	GS89 GSF89 GSA89 GSAF89	4P	116	472	12.40			20	1.85			134	409	10.78	19	1.95			15kW							13			7670	108.24	17	0.85					GS109 GSF109 GSA109 GSAF109	4P	15	6878	94.48	16	0.95					18	5833	80.13	16	1.10			21	5739	70.04	16	1.15			22	5210	65.10	16	1.20			25	4749		59.13	16		1.20				28	4259	52.46	15		1.30	31	3893	47.61	15	1.30	36	3395	40.92	15	1.40	41	2964	35.72	14	1.45	48	2532	30.29	14	1.55		55	2247		26.48			13	1.65	65			1899	22.39	13	1.75																																																																																																																																																																			
29	2034	49.87	34	1.55			32	1836	44.89			34	1.60			35	1665	40.65	34	1.65			40	1485	36.05	34	1.75		GS99 GSF99 GSA99 GSAF99	4P		44		1341	32.60		34		1.80			52		1054	27.63	30		1.90				64	856			22.65	30	2.15					70	783	20.48	29	2.25					83	660	17.36			29	2.40			33		1773	44.03		26		0.90				37	1575	39.10	26	1.00	41	1413	34.96	26	1.10	46	1278	31.43	25	1.20	GS89 GSF89 GSA89 GSAF89	4P	53	1107	27.28	25	1.40			60	913	23.92		22	1.45				67	818	21.39	22	1.50	75	731	19.23	22	1.60	86			637	16.69	21	1.65	96	571	14.95			21	1.75	GS89 GSF89 GSA89 GSAF89	4P	116	472	12.40			20	1.85			134	409	10.78			19	1.95			15kW							13	7670	108.24	17	0.85			GS109 GSF109 GSA109 GSAF109			4P	15	6878	94.48		16	0.95				18	5833	80.13	16	1.10					21	5739	70.04	16	1.15			22	5210	65.10	16	1.20			25	4749	59.13	16	1.20			28	4259		52.46	15		1.30			31	3893	47.61	15	1.30	36	3395	40.92	15	1.40	41	2964	35.72	14	1.45	48	2532	30.29	14	1.55	55	2247	26.48	13	1.65	65	1899		22.39	13		1.75																																																																																																																																																																														
32	1836	44.89	34	1.60			35	1665	40.65	34	1.65	40	1485			36.05	34	1.75	GS99 GSF99 GSA99 GSAF99	4P			44	1341	32.60	34	1.80					52		1054	27.63		30		1.90			64		856	22.65	30		2.15				70	783			20.48	29	2.25					83	660	17.36	29	2.40					33	1773	44.03			26	0.90			37		1575	39.10		26	1.00	41		1413		34.96	26	1.10	46	1278	31.43	25	1.20	GS89 GSF89 GSA89 GSAF89	4P	53	1107	27.28	25	1.40			60	913	23.92	22	1.45			67	818	21.39	22	1.50	75	731			19.23	22	1.60	86	637	16.69	21	1.65	96	571	14.95			21	1.75	GS89 GSF89 GSA89 GSAF89	4P	116	472	12.40			20	1.85			134	409	10.78			19	1.95			15kW									13	7670	108.24	17	0.85			GS109 GSF109 GSA109 GSAF109	4P	15	6878	94.48				16	0.95		18	5833	80.13		16	1.10				21	5739	70.04	16	1.15					22	5210	65.10	16	1.20			25	4749	59.13	16	1.20			28	4259	52.46	15	1.30			31	3893	47.61	15	1.30	36	3395			40.92	15	1.40	41	2964	35.72	14	1.45	48	2532	30.29	14	1.55	55	2247	26.48	13	1.65	65	1899	22.39	13	1.75																																																																																																																																																																																							
35	1665	40.65	34	1.65	40	1485	36.05	34	1.75	GS99 GSF99 GSA99 GSAF99	4P	44	1341			32.60	34	1.80					52	1054	27.63	30	1.90					64		856	22.65		30		2.15			70		783	20.48	29		2.25				83	660			17.36	29	2.40					33	1773	44.03	26	0.90					37	1575	39.10			26	1.00			41	1413	34.96	26	1.10	46	1278	31.43		25		1.20	GS89 GSF89 GSA89 GSAF89	4P	53	1107	27.28	25	1.40			60	913	23.92	22	1.45			67	818	21.39	22	1.50			75	731	19.23	22	1.60	86	637			16.69	21	1.65	96	571	14.95	21	1.75	GS89 GSF89 GSA89 GSAF89	4P	116			472	12.40			20	1.85	134			409	10.78			19	1.95	15kW							13	7670	108.24			17	0.85			GS109 GSF109 GSA109 GSAF109	4P	15	6878	94.48					16	0.95	18				5833	80.13		16	1.10	21		5739	70.04				16	1.15	22	5210	65.10					16	1.20	25	4749	59.13			16	1.20	28	4259	52.46			15	1.30	31	3893	47.61			15	1.30	36	3395	40.92	15	1.40			41	2964	35.72	14	1.45	48	2532	30.29	14	1.55	55	2247	26.48	13	1.65	65	1899	22.39	13	1.75																																																																																																																																																																																										
40	1485	36.05	34	1.75	GS99 GSF99 GSA99 GSAF99	4P																																																																																																																																																																																																																																																																																																																																																																																																																																																		
44	1341	32.60	34	1.80			52	1054	27.63			30	1.90			64	856	22.65					30	2.15	70	783	20.48					29		2.25	83		660		17.36			29		2.40	33	1773		44.03				26	0.90			37	1575	39.10					26	1.00	41	1413	34.96	26	1.10			46	1278	31.43	25	1.20	GS89 GSF89 GSA89 GSAF89	4P	53	1107	27.28	25	1.40	60	913	23.92	22	1.45	67	818	21.39	22			1.50	75	731	19.23	22			1.60	86	637	16.69	21			1.65	96	571	14.95	21			1.75	GS89 GSF89 GSA89 GSAF89	4P	116	472	12.40	20			1.85	134	409	10.78	19	1.95	15kW							13	7670			108.24	17	0.85			GS109 GSF109 GSA109 GSAF109	4P			15	6878	94.48	16	0.95	18	5833			80.13	16	1.10	21	5739	70.04	16					1.15	22	5210					65.10	16	1.20				25	4749		59.13	16	1.20	28	4259	52.46	15			1.30	31	3893	47.61	15			1.30	36	3395	40.92	15	1.40	41			2964	35.72	14	1.45	48			2532	30.29	14	1.55	55			2247	26.48	13	1.65	65	1899	22.39			13	1.75																																																																																																																																																																																																												
52	1054	27.63	30	1.90			64	856	22.65			30	2.15			70	783	20.48					29	2.25	83	660	17.36					29		2.40	33		1773		44.03			26		0.90	37	1575		39.10				26	1.00			41	1413	34.96			26	1.10	46	1278	31.43	25	1.20	GS89 GSF89 GSA89 GSAF89	4P	53	1107	27.28	25	1.40	60	913			23.92	22	1.45	67	818	21.39	22	1.50	75	731	19.23	22	1.60	86			637	16.69	21	1.65	96			571	14.95	21	1.75	GS89 GSF89 GSA89 GSAF89			4P	116	472	12.40	20			1.85			134	409	10.78	19			1.95	15kW									13			7670	108.24			17	0.85	GS109 GSF109 GSA109 GSAF109	4P	15					6878	94.48	16	0.95	18	5833	80.13			16	1.10	21	5739	70.04	16	1.15					22	5210	65.10					16	1.20	25	4749	59.13		16	1.20		28	4259	52.46	15	1.30	31	3893			47.61	15	1.30	36	3395			40.92	15	1.40	41	2964	35.72	14			1.45	48	2532	30.29	14			1.55	55	2247	26.48	13			1.65	65	1899	22.39	13	1.75																																																																																																																																																																																																																	
64	856	22.65	30	2.15			70	783	20.48			29	2.25			83	660	17.36					29	2.40	33	1773	44.03					26		0.90	37		1575		39.10			26		1.00	41	1413		34.96				26	1.10	46	1278	31.43	25	1.20	GS89 GSF89 GSA89 GSAF89	4P	53	1107	27.28	25	1.40	60	913			23.92	22	1.45	67	818	21.39	22			1.50	75	731	19.23	22	1.60	86	637	16.69	21	1.65	96	571	14.95			21	1.75	GS89 GSF89 GSA89 GSAF89	4P	116			472	12.40	20	1.85					134	409	10.78	19			1.95			15kW							13	7670	108.24	17	0.85	GS109 GSF109 GSA109 GSAF109	4P			15	6878	94.48	16	0.95			18	5833			80.13					16	1.10	21	5739	70.04	16	1.15			22	5210	65.10	16	1.20	25	4749					59.13	16	1.20	28	4259			52.46	15	1.30	31	3893		47.61	15		1.30	36	3395	40.92	15	1.40	41			2964	35.72	14	1.45	48			2532	30.29	14	1.55	55	2247	26.48			13	1.65	65	1899	22.39			13	1.75																																																																																																																																																																																																																												
70	783	20.48	29	2.25			83	660	17.36			29	2.40			33	1773	44.03					26	0.90	37	1575	39.10					26		1.00	41		1413		34.96			26		1.10	46	1278	31.43	25	1.20	GS89 GSF89 GSA89 GSAF89	4P	53	1107	27.28	25	1.40	60	913			23.92	22	1.45	67	818	21.39	22			1.50	75	731	19.23	22	1.60	86			637	16.69	21	1.65	96	571	14.95	21	1.75	GS89 GSF89 GSA89 GSAF89	4P	116	472	12.40			20	1.85			134			409	10.78	19	1.95					15kW									13	7670	108.24	17	0.85	GS109 GSF109 GSA109 GSAF109	4P	15	6878	94.48	16	0.95					18	5833	80.13	16	1.10			21	5739			70.04					16	1.15	22	5210	65.10	16	1.20			25	4749	59.13	16	1.20	28	4259	52.46	15			1.30	31	3893	47.61	15			1.30	36	3395	40.92	15		1.40	41		2964	35.72	14	1.45	48	2532	30.29			14	1.55	55	2247	26.48			13	1.65	65	1899	22.39	13	1.75																																																																																																																																																																																																																																							
83	660	17.36	29	2.40			33	1773	44.03			26	0.90			37	1575	39.10					26	1.00	41	1413	34.96					26		1.10	46		1278	31.43	25	1.20	GS89 GSF89 GSA89 GSAF89	4P	53	1107	27.28	25	1.40	60	913			23.92	22	1.45	67	818	21.39	22			1.50	75	731	19.23	22	1.60	86			637	16.69	21	1.65	96	571	14.95			21	1.75	GS89 GSF89 GSA89 GSAF89	4P	116	472	12.40	20	1.85			134	409	10.78			19	1.95			15kW											13	7670	108.24	17	0.85	GS109 GSF109 GSA109 GSAF109	4P			15	6878	94.48	16	0.95			18	5833	80.13	16	1.10					21	5739	70.04	16	1.15			22	5210			65.10					16	1.20	25	4749	59.13	16	1.20	28	4259	52.46	15	1.30	31	3893	47.61	15	1.30	36			3395	40.92	15	1.40	41			2964	35.72	14	1.45	48		2532	30.29		14	1.55	55	2247	26.48	13	1.65			65	1899	22.39	13	1.75																																																																																																																																																																																																																																																
33	1773	44.03	26	0.90			37	1575	39.10			26	1.00			41	1413	34.96					26	1.10	46	1278	31.43		25	1.20		GS89 GSF89 GSA89 GSAF89	4P	53	1107	27.28	25	1.40	60	913			23.92	22	1.45	67	818	21.39	22			1.50	75	731	19.23	22	1.60	86			637	16.69	21	1.65	96	571	14.95			21	1.75	GS89 GSF89 GSA89 GSAF89	4P	116	472	12.40			20	1.85			134	409	10.78	19	1.95			15kW									13			7670	108.24	17	0.85		GS109 GSF109 GSA109 GSAF109	4P		15	6878	94.48	16	0.95					18	5833	80.13	16	1.10			21	5739	70.04	16	1.15					22	5210	65.10	16	1.20			25	4749			59.13			16	1.20	28	4259	52.46	15	1.30	31	3893	47.61	15	1.30	36	3395	40.92	15	1.40	41	2964	35.72			14	1.45	48	2532	30.29			14	1.55	55	2247	26.48		13	1.65		65	1899	22.39	13	1.75																																																																																																																																																																																																																																																									
37	1575	39.10	26	1.00			41	1413	34.96			26	1.10			46	1278	31.43	25	1.20			GS89 GSF89 GSA89 GSAF89	4P	53	1107	27.28	25	1.40	60	913			23.92	22	1.45	67	818	21.39	22			1.50	75	731	19.23	22	1.60	86			637	16.69	21	1.65	96	571	14.95			21	1.75	GS89 GSF89 GSA89 GSAF89	4P	116	472	12.40			20	1.85			134	409	10.78			19	1.95			15kW							13	7670	108.24			17	0.85			GS109 GSF109 GSA109 GSAF109	4P	15	6878	94.48	16	0.95					18	5833	80.13	16	1.10					21	5739	70.04	16	1.15			22	5210	65.10	16	1.20					25	4749	59.13	16	1.20	28	4259	52.46	15			1.30			31	3893	47.61	15	1.30	36	3395	40.92	15	1.40	41	2964	35.72	14	1.45	48	2532	30.29	14	1.55			55	2247	26.48	13	1.65			65	1899	22.39	13	1.75																																																																																																																																																																																																																																																																		
41	1413	34.96	26	1.10			46	1278	31.43	25	1.20	GS89 GSF89 GSA89 GSAF89	4P			53	1107	27.28	25	1.40	60	913			23.92	22	1.45	67	818	21.39	22			1.50	75	731	19.23	22	1.60	86			637	16.69	21	1.65	96	571	14.95			21	1.75	GS89 GSF89 GSA89 GSAF89	4P	116	472	12.40			20	1.85			134	409	10.78			19	1.95			15kW									13	7670	108.24	17	0.85			GS109 GSF109 GSA109 GSAF109	4P	15	6878	94.48	16	0.95					18	5833	80.13	16	1.10					21	5739	70.04	16	1.15					22	5210	65.10	16	1.20			25	4749	59.13	16	1.20			28	4259	52.46	15	1.30	31	3893	47.61	15	1.30	36			3395			40.92	15	1.40	41	2964	35.72	14	1.45	48	2532	30.29	14	1.55	55	2247	26.48	13	1.65	65	1899			22.39	13	1.75																																																																																																																																																																																																																																																																											
46	1278	31.43	25	1.20	GS89 GSF89 GSA89 GSAF89	4P																																																																																																																																																																																																																																																																																																																																																																																																																																																		
53	1107	27.28	25	1.40			60	913	23.92	22	1.45			67	818	21.39	22	1.50	75	731	19.23	22			1.60	86	637	16.69	21	1.65	96			571	14.95	21	1.75	GS89 GSF89 GSA89 GSAF89	4P	116			472	12.40	20	1.85	134	409	10.78			19	1.95			15kW									13	7670	108.24			17	0.85			GS109 GSF109 GSA109 GSAF109	4P	15	6878	94.48	16	0.95			18	5833	80.13	16	1.10					21	5739	70.04	16	1.15					22	5210	65.10	16	1.20					25	4749	59.13	16	1.20			28	4259	52.46	15	1.30	31	3893			47.61	15	1.30	36	3395			40.92	15	1.40	41	2964	35.72	14	1.45	48	2532	30.29			14			1.55	55	2247	26.48	13	1.65	65	1899	22.39	13	1.75																																																																																																																																																																																																																																																																																									
60	913	23.92	22	1.45			67	818	21.39	22	1.50			75	731	19.23	22	1.60	86	637	16.69	21			1.65	96	571	14.95	21	1.75	GS89 GSF89 GSA89 GSAF89			4P	116	472	12.40			20			1.85	134	409	10.78	19	1.95	15kW							13	7670	108.24			17	0.85			GS109 GSF109 GSA109 GSAF109	4P	15	6878	94.48	16	0.95					18	5833	80.13	16	1.10			21	5739	70.04	16	1.15					22	5210	65.10	16	1.20					25	4749	59.13	16	1.20	28			4259	52.46	15	1.30	31	3893			47.61	15	1.30	36	3395	40.92	15			1.40	41	2964	35.72	14			1.45	48	2532	30.29	14	1.55	55	2247	26.48	13	1.65			65			1899	22.39	13	1.75																																																																																																																																																																																																																																																																																																
67	818	21.39	22	1.50			75	731	19.23	22	1.60			86	637	16.69	21	1.65	96	571	14.95	21			1.75	GS89 GSF89 GSA89 GSAF89	4P	116	472	12.40					20	1.85	134			409			10.78	19	1.95	15kW							13			7670	108.24	17	0.85	GS109 GSF109 GSA109 GSAF109	4P	15					6878	94.48	16	0.95	18					5833	80.13	16	1.10	21			5739	70.04	16	1.15	22					5210	65.10	16	1.20	25	4749	59.13			16	1.20	28	4259	52.46	15			1.30	31	3893	47.61	15	1.30			36	3395	40.92	15	1.40	41	2964			35.72	14	1.45	48	2532			30.29	14	1.55	55	2247	26.48	13	1.65	65	1899	22.39			13			1.75																																																																																																																																																																																																																																																																																																			
75	731	19.23	22	1.60			86	637	16.69	21	1.65			96	571	14.95	21	1.75	GS89 GSF89 GSA89 GSAF89	4P	116	472			12.40			20	1.85	134					409	10.78	19			1.95			15kW							13	7670	108.24	17			0.85	GS109 GSF109 GSA109 GSAF109	4P	15			6878					94.48	16	0.95	18	5833					80.13	16	1.10	21	5739			70.04	16	1.15	22	5210	65.10	16			1.20	25	4749	59.13	16	1.20	28			4259	52.46	15	1.30	31	3893			47.61	15	1.30	36	3395	40.92			15	1.40	41	2964	35.72	14	1.45			48	2532	30.29	14	1.55			55	2247	26.48	13	1.65	65	1899	22.39	13	1.75																																																																																																																																																																																																																																																																																																										
86	637	16.69	21	1.65			96	571	14.95	21	1.75			GS89 GSF89 GSA89 GSAF89	4P	116	472	12.40			20	1.85			134			409	10.78	19					1.95	15kW							13	7670	108.24	17	0.85	GS109 GSF109 GSA109 GSAF109	4P	15	6878	94.48	16			0.95			18			5833					80.13	16	1.10	21	5739					70.04	16	1.15	22	5210	65.10	16	1.20	25	4749	59.13	16	1.20	28			4259	52.46	15	1.30	31	3893	47.61			15	1.30	36	3395	40.92	15			1.40	41	2964	35.72	14	1.45			48	2532	30.29	14	1.55	55	2247			26.48	13	1.65	65	1899			22.39	13	1.75																																																																																																																																																																																																																																																																																																																	
96	571	14.95	21	1.75			GS89 GSF89 GSA89 GSAF89	4P																																																																																																																																																																																																																																																																																																																																																																																																																																																
116	472	12.40	20	1.85					134	409	10.78					19	1.95	15kW							13			7670	108.24	17		0.85	GS109 GSF109 GSA109 GSAF109		4P	15	6878			94.48	16	0.95	18	5833	80.13	16	1.10			21	5739	70.04	16			1.15			22			5210	65.10	16			1.20	25	4749	59.13	16	1.20	28			4259	52.46	15	1.30	31	3893	47.61	15	1.30	36	3395	40.92	15	1.40			41	2964	35.72	14	1.45	48	2532			30.29	14	1.55	55	2247	26.48			13	1.65	65	1899	22.39	13			1.75																																																																																																																																																																																																																																																																																																																																			
134	409	10.78	19	1.95					15kW							13	7670	108.24			17	0.85	GS109 GSF109 GSA109 GSAF109	4P	15			6878	94.48	16		0.95				18	5833			80.13	16	1.10	21	5739	70.04	16	1.15			22	5210	65.10	16	1.20	25	4749			59.13			16	1.20	28			4259	52.46	15	1.30	31	3893	47.61			15	1.30	36	3395	40.92	15	1.40	41	2964	35.72	14	1.45	48	2532			30.29	14	1.55	55	2247	26.48	13			1.65	65	1899	22.39	13	1.75																																																																																																																																																																																																																																																																																																																																														
15kW									13	7670	108.24	17	0.85			GS109 GSF109 GSA109 GSAF109	4P																																																																																																																																																																																																																																																																																																																																																																																																																																							
15	6878	94.48	16	0.95	18	5833			80.13	16	1.10	21	5739					70.04			16	1.15			22			5210	65.10	16		1.20				25	4749	59.13	16	1.20	28	4259	52.46	15	1.30	31	3893			47.61	15	1.30	36	3395	40.92	15			1.40			41	2964	35.72			14	1.45	48	2532	30.29	14	1.55			55	2247	26.48	13	1.65	65	1899	22.39	13	1.75																																																																																																																																																																																																																																																																																																																																																																			
18	5833	80.13	16	1.10	21	5739			70.04	16	1.15	22	5210					65.10			16	1.20			25			4749	59.13	16	1.20	28		4259		52.46	15	1.30	31	3893	47.61	15	1.30	36	3395	40.92	15			1.40	41	2964	35.72	14	1.45	48			2532			30.29	14	1.55			55	2247	26.48	13	1.65	65	1899			22.39	13	1.75																																																																																																																																																																																																																																																																																																																																																																										
21	5739	70.04	16	1.15	22	5210			65.10	16	1.20	25	4749					59.13			16	1.20			28	4259	52.46	15	1.30	31	3893	47.61		15		1.30	36	3395	40.92	15	1.40	41	2964	35.72	14	1.45	48			2532	30.29	14	1.55	55	2247	26.48			13			1.65	65	1899			22.39	13	1.75																																																																																																																																																																																																																																																																																																																																																																																			
22	5210	65.10	16	1.20	25	4749			59.13	16	1.20	28	4259					52.46	15	1.30	31	3893			47.61	15	1.30	36	3395	40.92	15	1.40		41		2964	35.72	14	1.45	48	2532	30.29	14	1.55	55	2247	26.48			13	1.65	65	1899	22.39	13	1.75																																																																																																																																																																																																																																																																																																																																																																																																
25	4749	59.13	16	1.20	28	4259			52.46	15	1.30	31	3893	47.61	15			1.30	36	3395	40.92	15			1.40	41	2964	35.72	14	1.45	48	2532		30.29		14	1.55	55	2247	26.48	13	1.65	65	1899	22.39	13	1.75																																																																																																																																																																																																																																																																																																																																																																																																									
28	4259	52.46	15	1.30	31	3893	47.61	15	1.30	36	3395	40.92	15	1.40	41			2964	35.72	14	1.45	48			2532	30.29	14	1.55	55	2247	26.48	13		1.65		65	1899	22.39	13	1.75																																																																																																																																																																																																																																																																																																																																																																																																																
31	3893	47.61	15	1.30	36	3395	40.92	15	1.40	41	2964	35.72	14	1.45	48			2532	30.29	14	1.55	55			2247	26.48	13	1.65	65	1899	22.39	13		1.75																																																																																																																																																																																																																																																																																																																																																																																																																						
36	3395	40.92	15	1.40	41	2964	35.72	14	1.45	48	2532	30.29	14	1.55	55			2247	26.48	13	1.65	65			1899	22.39	13	1.75																																																																																																																																																																																																																																																																																																																																																																																																																												
41	2964	35.72	14	1.45	48	2532	30.29	14	1.55	55	2247	26.48	13	1.65	65			1899	22.39	13	1.75																																																																																																																																																																																																																																																																																																																																																																																																																																			
48	2532	30.29	14	1.55	55	2247	26.48	13	1.65	65	1899	22.39	13	1.75																																																																																																																																																																																																																																																																																																																																																																																																																																										
55	2247	26.48	13	1.65	65	1899	22.39	13	1.75																																																																																																																																																																																																																																																																																																																																																																																																																																															
65	1899	22.39	13	1.75																																																																																																																																																																																																																																																																																																																																																																																																																																																				

GS 系列斜齿轮-蜗轮蜗杆减速电机

选型参数表

Selection Table

(恒功率) 15kW-30kW

(Constant Power) 15kW-30kW

n_a [r/min]	M_a [Nm]	i	F_{Ra} [kN]	f_B	机型号 Type size	极数 Pole	n_a [r/min]	M_a [Nm]	i	F_{Ra} [kN]	f_B	机型号 Type size	极数 Pole																																																																																																																																																																																																																																																											
15kW							22kW																																																																																																																																																																																																																																																																	
33	3600	44.89	30	0.90	GS99 GSF99 GSA99 GSAF99	4P	23	7590	65.10	14	0.85	GS109 GSF109 GSA109 GSAF109	4P																																																																																																																																																																																																																																																											
36	3267	40.65	30	1.00			40	2907	36.05	29	1.10			45	2579	32.60	29	1.15	53	2189	27.63	25	1.35	64	1813	22.65	25	1.55	71	1634	20.48	25	1.60	84	1381	17.36	24	1.70	96	1209	15.16	24	1.75	115	1009	12.68	24	1.90	133	872	10.98	23	2.00	98	1184	14.95	17	0.95	GS89 GSF89 GSA89 GSAF89	4P	53	3267	27.63	25	0.90	GS99 GSF99 GSA99 GSAF99	4P	118	983	12.40	17	1.15	135	860	10.78	17	1.30	72	2405	20.48	19	1.00	85	2037	17.36	21	1.15	97	1785	15.16	21	1.30	116	1493	12.68	21	1.50	134	1292	10.98	21	1.65	18.5kW							30kW							16	8425	94.48	15	0.80	GS109 GSF109 GSA109 GSAF109	4P	31	7734	47.61	12	0.85	GS109 GSF109 GSA109 GSAF109	4P	18	7145	80.13	15	0.90	21	6991	70.04	15	0.90	23	6383	65.10	15	1.00	25	5818	59.13	15	1.10	28	5217	52.46	14	1.15	31	4769	47.61	14	1.20	36	4159	40.92	14	1.25	41	3631	35.72	13	1.35	49	3101	30.29	13	1.40	56	2752	26.48	13	1.50	66	2327	22.39	12	1.55	41	3573	36.05	27	0.90	GS99 GSF99 GSA99 GSAF99	4P	36	6745	40.92	12	0.95	45	3231	32.60	27	0.95	53	2754	27.63	27	1.05	65	2246	22.65	27	1.20	72	2027	20.48	23	1.20	85	1717	17.36	23	1.40	97	1505	15.16	23	1.60	116	1258	12.68	22	1.70	134	1089	10.98	22	1.80																											
40	2907	36.05	29	1.10			45	2579	32.60	29	1.15			53	2189	27.63	25	1.35	64	1813	22.65	25	1.55	71	1634	20.48	25	1.60	84	1381	17.36	24	1.70	96	1209	15.16	24	1.75	115	1009	12.68	24	1.90	133	872	10.98	23	2.00	98	1184	14.95	17	0.95	GS89 GSF89 GSA89 GSAF89	4P	53	3267	27.63			25	0.90	GS99 GSF99 GSA99 GSAF99	4P	118			983	12.40	17	1.15	135	860	10.78	17	1.30	72	2405	20.48	19	1.00	85	2037	17.36	21	1.15	97	1785	15.16	21	1.30	116	1493	12.68	21	1.50	134	1292	10.98	21	1.65	18.5kW							30kW							16	8425	94.48	15	0.80	GS109 GSF109 GSA109 GSAF109			4P	31	7734	47.61	12			0.85	GS109 GSF109 GSA109 GSAF109	4P	18	7145	80.13	15	0.90	21	6991	70.04	15	0.90	23	6383	65.10	15	1.00	25	5818	59.13	15	1.10	28	5217	52.46	14	1.15	31	4769	47.61	14	1.20	36	4159	40.92	14	1.25	41	3631	35.72	13	1.35	49	3101	30.29	13	1.40	56	2752	26.48	13	1.50	66	2327	22.39	12	1.55	41	3573			36.05	27	0.90	GS99 GSF99 GSA99 GSAF99	4P	36	6745	40.92	12	0.95	45	3231	32.60	27	0.95	53	2754	27.63	27	1.05	65	2246	22.65	27	1.20	72	2027	20.48	23	1.20	85	1717	17.36	23	1.40	97	1505	15.16	23	1.60	116	1258	12.68	22	1.70	134	1089	10.98	22	1.80																						
45	2579	32.60	29	1.15			53	2189	27.63	25	1.35			64	1813	22.65	25	1.55	71	1634	20.48	25	1.60	84	1381	17.36	24	1.70	96	1209	15.16	24	1.75	115	1009	12.68	24	1.90	133	872	10.98	23	2.00	98	1184	14.95	17	0.95	GS89 GSF89 GSA89 GSAF89	4P	53	3267	27.63			25	0.90	GS99 GSF99 GSA99 GSAF99			4P	118			983			12.40	17	1.15	135	860	10.78	17	1.30	72	2405	20.48	19	1.00	85	2037	17.36	21	1.15	97	1785	15.16	21	1.30	116	1493	12.68	21	1.50	134	1292	10.98	21	1.65	18.5kW							30kW							16	8425	94.48	15	0.80	GS109 GSF109 GSA109 GSAF109					4P	31	7734	47.61			12			0.85	GS109 GSF109 GSA109 GSAF109	4P	18	7145	80.13	15	0.90	21	6991	70.04	15	0.90	23	6383	65.10	15	1.00	25	5818	59.13	15	1.10	28	5217	52.46	14	1.15	31	4769	47.61	14	1.20	36	4159	40.92	14	1.25	41	3631	35.72	13	1.35	49	3101	30.29	13	1.40	56	2752	26.48	13	1.50	66	2327	22.39	12			1.55	41	3573			36.05	27	0.90	GS99 GSF99 GSA99 GSAF99	4P	36	6745	40.92	12	0.95	45	3231	32.60	27	0.95	53	2754	27.63	27	1.05	65	2246	22.65	27	1.20	72	2027	20.48	23	1.20	85	1717	17.36	23	1.40	97	1505	15.16	23	1.60	116	1258	12.68	22	1.70	134	1089	10.98	22	1.80																	
53	2189	27.63	25	1.35			64	1813	22.65	25	1.55			71	1634	20.48	25	1.60	84	1381	17.36	24	1.70	96	1209	15.16	24	1.75	115	1009	12.68	24	1.90	133	872	10.98	23	2.00	98	1184	14.95	17	0.95	GS89 GSF89 GSA89 GSAF89	4P	53	3267	27.63			25	0.90	GS99 GSF99 GSA99 GSAF99			4P	118					983			12.40			17	1.15	135	860	10.78	17	1.30	72	2405	20.48	19	1.00	85	2037	17.36	21	1.15	97	1785	15.16	21	1.30	116	1493	12.68	21	1.50	134	1292	10.98	21	1.65	18.5kW							30kW							16	8425	94.48	15	0.80	GS109 GSF109 GSA109 GSAF109							4P	31	7734			47.61			12			0.85	GS109 GSF109 GSA109 GSAF109	4P	18	7145	80.13	15	0.90	21	6991	70.04	15	0.90	23	6383	65.10	15	1.00	25	5818	59.13	15	1.10	28	5217	52.46	14	1.15	31	4769	47.61	14	1.20	36	4159	40.92	14	1.25	41	3631	35.72	13	1.35	49	3101	30.29	13	1.40	56	2752	26.48	13	1.50	66			2327	22.39	12			1.55	41	3573			36.05	27	0.90	GS99 GSF99 GSA99 GSAF99	4P	36	6745	40.92	12	0.95	45	3231	32.60	27	0.95	53	2754	27.63	27	1.05	65	2246	22.65	27	1.20	72	2027	20.48	23	1.20	85	1717	17.36	23	1.40	97	1505	15.16	23	1.60	116	1258	12.68	22	1.70	134	1089	10.98	22	1.80												
64	1813	22.65	25	1.55			71	1634	20.48	25	1.60			84	1381	17.36	24	1.70	96	1209	15.16	24	1.75	115	1009	12.68	24	1.90	133	872	10.98	23	2.00	98	1184	14.95	17	0.95	GS89 GSF89 GSA89 GSAF89	4P	53	3267	27.63			25	0.90	GS99 GSF99 GSA99 GSAF99			4P	118					983					12.40			17			1.15	135	860	10.78	17	1.30	72	2405	20.48	19	1.00	85	2037	17.36	21	1.15	97	1785	15.16	21	1.30	116	1493	12.68	21	1.50	134	1292	10.98	21	1.65	18.5kW							30kW							16	8425	94.48	15	0.80	GS109 GSF109 GSA109 GSAF109									4P	31			7734			47.61			12			0.85	GS109 GSF109 GSA109 GSAF109	4P	18	7145	80.13	15	0.90	21	6991	70.04	15	0.90	23	6383	65.10	15	1.00	25	5818	59.13	15	1.10	28	5217	52.46	14	1.15	31	4769	47.61	14	1.20	36	4159	40.92	14	1.25	41	3631	35.72	13	1.35	49	3101	30.29	13	1.40	56	2752	26.48			13	1.50	66			2327	22.39	12			1.55	41	3573			36.05	27	0.90	GS99 GSF99 GSA99 GSAF99	4P	36	6745	40.92	12	0.95	45	3231	32.60	27	0.95	53	2754	27.63	27	1.05	65	2246	22.65	27	1.20	72	2027	20.48	23	1.20	85	1717	17.36	23	1.40	97	1505	15.16	23	1.60	116	1258	12.68	22	1.70	134	1089	10.98	22	1.80							
71	1634	20.48	25	1.60			84	1381	17.36	24	1.70			96	1209	15.16	24	1.75	115	1009	12.68	24	1.90	133	872	10.98	23	2.00	98	1184	14.95	17	0.95	GS89 GSF89 GSA89 GSAF89	4P	53	3267	27.63			25	0.90	GS99 GSF99 GSA99 GSAF99			4P	118					983					12.40		17	1.15		135			860			10.78	17	1.30	72	2405	20.48	19	1.00	85	2037	17.36	21	1.15	97	1785	15.16	21	1.30	116	1493	12.68	21	1.50	134	1292	10.98	21	1.65	18.5kW							30kW							16	8425	94.48	15	0.80	GS109 GSF109 GSA109 GSAF109	4P	31											7734			47.61			12			0.85			GS109 GSF109 GSA109 GSAF109			4P	18	7145	80.13	15	0.90	21	6991	70.04	15	0.90	23	6383	65.10	15	1.00	25	5818	59.13	15	1.10	28	5217	52.46	14	1.15	31	4769	47.61	14	1.20	36	4159	40.92	14	1.25	41	3631	35.72	13	1.35	49	3101	30.29	13	1.40	56	2752			26.48	13	1.50			66	2327	22.39			12	1.55	41			3573	36.05	27			0.90	GS99 GSF99 GSA99 GSAF99	4P	36	6745	40.92	12	0.95	45	3231	32.60	27	0.95	53	2754	27.63	27	1.05	65	2246	22.65	27	1.20	72	2027	20.48	23	1.20	85	1717	17.36	23	1.40	97	1505	15.16	23	1.60	116	1258	12.68	22	1.70	134	1089	10.98	22	1.80				
84	1381	17.36	24	1.70			96	1209	15.16	24	1.75			115	1009	12.68	24	1.90	133	872	10.98	23	2.00	98	1184	14.95	17	0.95	GS89 GSF89 GSA89 GSAF89	4P	53	3267	27.63			25	0.90	GS99 GSF99 GSA99 GSAF99			4P	118					983					12.40		17	1.15		135		860	10.78		17			1.30			72	2405	20.48	19	1.00	85	2037	17.36	21	1.15	97	1785	15.16	21	1.30	116	1493	12.68	21	1.50	134	1292	10.98	21	1.65	18.5kW							30kW							16	8425	94.48	15	0.80	GS109 GSF109 GSA109 GSAF109	4P	31			7734											47.61			12			0.85			GS109 GSF109 GSA109 GSAF109							4P	18	7145	80.13	15	0.90	21	6991	70.04	15	0.90	23	6383	65.10	15	1.00	25	5818	59.13	15	1.10	28	5217	52.46	14	1.15	31	4769	47.61	14	1.20	36	4159	40.92	14	1.25	41	3631	35.72	13	1.35	49	3101	30.29	13	1.40	56			2752	26.48	13			1.50	66	2327			22.39	12	1.55			41	3573	36.05			27			0.90	GS99 GSF99 GSA99 GSAF99	4P	36	6745	40.92	12	0.95	45	3231	32.60	27	0.95	53	2754	27.63	27	1.05	65	2246	22.65	27	1.20	72	2027	20.48	23	1.20	85	1717	17.36	23	1.40	97	1505	15.16	23	1.60	116	1258	12.68	22	1.70	134	1089	10.98	22	1.80	
96	1209	15.16	24	1.75			115	1009	12.68	24	1.90			133	872	10.98	23	2.00	98	1184	14.95	17	0.95	GS89 GSF89 GSA89 GSAF89	4P	53	3267	27.63			25	0.90	GS99 GSF99 GSA99 GSAF99			4P	118					983					12.40		17	1.15		135		860	10.78		17		1.30	72		2405			20.48			19	1.00	85	2037	17.36	21	1.15	97	1785	15.16	21	1.30	116	1493	12.68	21	1.50	134	1292	10.98	21	1.65	18.5kW							30kW							16	8425	94.48	15	0.80	GS109 GSF109 GSA109 GSAF109	4P	31			7734			47.61											12			0.85			GS109 GSF109 GSA109 GSAF109											4P	18	7145	80.13	15	0.90	21	6991	70.04	15	0.90	23	6383	65.10	15	1.00	25	5818	59.13	15	1.10	28	5217	52.46	14	1.15	31	4769	47.61	14	1.20	36	4159	40.92	14	1.25	41	3631	35.72	13	1.35	49	3101	30.29	13	1.40			56	2752	26.48			13	1.50	66			2327	22.39	12			1.55	41	3573			36.05			27			0.90	GS99 GSF99 GSA99 GSAF99	4P	36	6745	40.92	12	0.95	45	3231	32.60	27	0.95	53	2754	27.63	27	1.05	65	2246	22.65	27	1.20	72	2027	20.48	23	1.20	85	1717	17.36	23	1.40	97	1505	15.16	23	1.60	116	1258	12.68	22	1.70	134	1089	10.98
115	1009	12.68	24	1.90			133	872	10.98	23	2.00			98	1184	14.95	17	0.95	GS89 GSF89 GSA89 GSAF89	4P	53	3267	27.63			25	0.90	GS99 GSF99 GSA99 GSAF99			4P	118					983					12.40		17	1.15		135		860	10.78		17		1.30	72		2405		20.48	19		1.00			85			2037	17.36	21	1.15	97	1785	15.16	21	1.30	116	1493	12.68	21	1.50	134	1292	10.98	21	1.65	18.5kW							30kW							16	8425	94.48	15	0.80	GS109 GSF109 GSA109 GSAF109	4P	31			7734			47.61			12											0.85			GS109 GSF109 GSA109 GSAF109															4P	18	7145	80.13	15	0.90	21	6991	70.04	15	0.90	23	6383	65.10	15	1.00	25	5818	59.13	15	1.10	28	5217	52.46	14	1.15	31	4769	47.61	14	1.20	36	4159	40.92	14	1.25	41	3631	35.72	13	1.35	49	3101	30.29	13			1.40	56	2752			26.48	13	1.50			66	2327	22.39			12	1.55	41			3573			36.05			27			0.90	GS99 GSF99 GSA99 GSAF99	4P	36	6745	40.92	12	0.95	45	3231	32.60	27	0.95	53	2754	27.63	27	1.05	65	2246	22.65	27	1.20	72	2027	20.48	23	1.20	85	1717	17.36	23	1.40	97	1505	15.16	23	1.60	116	1258	12.68	22	1.70
133	872	10.98	23	2.00	98	1184	14.95	17	0.95	GS89 GSF89 GSA89 GSAF89	4P	53	3267	27.63	25	0.90	GS99 GSF99 GSA99 GSAF99	4P			118	983	12.40			17	1.15					135					860		10.78	17		1.30		72	2405		20.48		19	1.00		85		2037	17.36		21		1.15	97		1785			15.16			21	1.30	116	1493	12.68	21	1.50	134	1292	10.98	21	1.65	18.5kW							30kW							16	8425	94.48	15	0.80	GS109 GSF109 GSA109 GSAF109	4P	31	7734	47.61	12	0.85			GS109 GSF109 GSA109 GSAF109			4P			18			7145											80.13																			15	0.90	21	6991	70.04	15	0.90	23	6383	65.10	15	1.00	25	5818	59.13	15	1.10	28	5217	52.46	14	1.15	31	4769	47.61	14	1.20	36	4159	40.92	14	1.25	41	3631	35.72	13	1.35	49	3101	30.29	13	1.40	56	2752			26.48	13	1.50			66	2327	22.39			12	1.55	41			3573	36.05	27			0.90			GS99 GSF99 GSA99 GSAF99			4P			36			6745	40.92	12	0.95	45	3231	32.60	27	0.95	53	2754	27.63	27	1.05	65	2246	22.65	27	1.20	72	2027	20.48	23	1.20	85	1717	17.36	23	1.40	97	1505	15.16	23	1.60	116	1258	12.68	22	1.70	134
98	1184	14.95	17	0.95	GS89 GSF89 GSA89 GSAF89	4P	53	3267	27.63			25	0.90	GS99 GSF99 GSA99 GSAF99	4P																																																																																																																																																																																																																																																									
118	983	12.40	17	1.15			135	860	10.78			17	1.30			72					2405	20.48	19			1.00	85		2037	17.36		21		1.15	97		1785		15.16	21		1.30		116	1493		12.68		21	1.50		134		1292	10.98		21		1.65	18.5kW							30kW							16	8425	94.48	15	0.80	GS109 GSF109 GSA109 GSAF109	4P	31	7734	47.61	12	0.85	GS109 GSF109 GSA109 GSAF109	4P	18	7145	80.13	15	0.90	21	6991	70.04	15	0.90	23			6383	65.10	15	1.00	25									5818			59.13				15	1.10	28	5217				52.46	14	1.15		31	4769														47.61	14	1.20	36	4159	40.92	14	1.25	41	3631	35.72	13	1.35	49	3101	30.29	13	1.40	56	2752	26.48	13	1.50	66	2327	22.39	12	1.55	41	3573	36.05	27	0.90	GS99 GSF99 GSA99 GSAF99	4P	36	6745	40.92	12	0.95	45	3231	32.60	27	0.95	53	2754	27.63	27	1.05	65	2246	22.65	27			1.20	72	2027			20.48	23	1.20			85									1717			17.36	23	1.40	97	1505	15.16	23	1.60	116	1258	12.68	22	1.70	134	1089	10.98	22	1.80																						
135	860	10.78	17	1.30			72	2405	20.48			19	1.00			85					2037	17.36	21	1.15	97	1785	15.16		21	1.30		116		1493	12.68		21		1.50	134		1292		10.98	21		1.65		18.5kW								30kW							16	8425	94.48	15	0.80	GS109 GSF109 GSA109 GSAF109	4P	31	7734	47.61	12	0.85	GS109 GSF109 GSA109 GSAF109	4P	18			7145	80.13	15	0.90	21			6991	70.04	15	0.90	23	6383	65.10	15	1.00	25	5818			59.13	15	1.10	28	5217									52.46			14			1.15	31	4769	47.61	14	1.20			36	4159	40.92		14	1.25		41	3631											35.72	13	1.35	49	3101	30.29	13	1.40	56	2752	26.48	13	1.50	66	2327	22.39	12	1.55	41	3573	36.05	27	0.90	GS99 GSF99 GSA99 GSAF99	4P	36	6745	40.92	12	0.95	45	3231	32.60			27	0.95	53	2754	27.63	27	1.05	65	2246	22.65	27	1.20	72	2027	20.48	23	1.20	85	1717	17.36	23	1.40	97	1505			15.16	23	1.60			116									1258			12.68	22	1.70	134	1089	10.98	22	1.80																																
72	2405	20.48	19	1.00			85	2037	17.36			21	1.15			97			1785	15.16	21	1.30	116	1493	12.68	21	1.50		134	1292		10.98		21	1.65		18.5kW							30kW								16	8425	94.48	15	0.80	GS109 GSF109 GSA109 GSAF109	4P	31	7734	47.61	12	0.85	GS109 GSF109 GSA109 GSAF109	4P	18	7145	80.13			15	0.90	21	6991	70.04			15			0.90	23	6383	65.10	15			1.00	25	5818	59.13	15	1.10	28	5217	52.46	14	1.15			31	4769	47.61	14	1.20									36			4159		40.92	14	1.25	41	3631	35.72	13	1.35		49	3101	30.29		13	1.40		56	2752		26.48	13								1.50	66	2327	22.39	12	1.55	41	3573	36.05	27	0.90	GS99 GSF99 GSA99 GSAF99	4P	36	6745	40.92	12	0.95	45	3231	32.60	27	0.95			53	2754	27.63	27	1.05	65	2246	22.65			27	1.20	72	2027	20.48	23	1.20	85	1717	17.36	23	1.40	97	1505	15.16	23	1.60	116	1258	12.68	22	1.70	134	1089	10.98	22	1.80																																																								
85	2037	17.36	21	1.15			97	1785	15.16	21	1.30	116	1493			12.68			21	1.50	134	1292	10.98	21	1.65	18.5kW								30kW								16		8425	94.48		15	0.80	GS109 GSF109 GSA109 GSAF109	4P	31	7734	47.61	12	0.85	GS109 GSF109 GSA109 GSAF109			4P	18	7145	80.13	15			0.90	21	6991			70.04	15	0.90	23	6383			65.10			15	1.00	25	5818	59.13			15	1.10	28	5217	52.46	14	1.15	31	4769	47.61	14			1.20	36	4159	40.92	14									1.25			41	3631	35.72	13	1.35	49	3101	30.29	13	1.40	56	2752	26.48	13		1.50	66		2327	22.39		12	1.55		41	3573					36.05	27	0.90	GS99 GSF99 GSA99 GSAF99	4P	36	6745	40.92	12	0.95	45			3231	32.60	27	0.95	53	2754	27.63	27	1.05	65			2246	22.65	27	1.20	72	2027	20.48	23			1.20	85	1717	17.36	23	1.40	97	1505	15.16	23	1.60	116	1258	12.68	22	1.70	134	1089	10.98	22	1.80																																																														
97	1785	15.16	21	1.30	116	1493	12.68	21	1.50	134	1292	10.98	21			1.65			18.5kW							30kW								16	8425		94.48		15	0.80		GS109 GSF109 GSA109 GSAF109	4P	31	7734	47.61	12	0.85			GS109 GSF109 GSA109 GSAF109	4P	18	7145	80.13					15	0.90	21	6991			70.04	15	0.90			23	6383	65.10	15	1.00			25			5818	59.13	15	1.10	28			5217	52.46	14	1.15	31	4769	47.61	14	1.20	36	4159			40.92	14	1.25	41	3631									35.72	13	1.35	49	3101	30.29	13	1.40	56	2752	26.48	13	1.50	66	2327	22.39	12		1.55	41		3573	36.05		27	0.90	GS99 GSF99 GSA99 GSAF99	4P	36	6745				40.92	12	0.95			45	3231	32.60	27	0.95	53			2754	27.63	27	1.05	65	2246	22.65	27	1.20	72			2027	20.48	23	1.20	85	1717	17.36	23			1.40	97	1505	15.16	23	1.60	116	1258	12.68	22	1.70	134	1089	10.98	22	1.80																																																																			
116	1493	12.68	21	1.50	134	1292	10.98	21	1.65	18.5kW									30kW							16	8425		94.48	15		0.80		GS109 GSF109 GSA109 GSAF109	4P		31	7734	47.61	12	0.85			GS109 GSF109 GSA109 GSAF109	4P	18	7145	80.13					15	0.90	21					6991	70.04	15	0.90			23	6383	65.10			15	1.00	25	5818	59.13			15			1.10	28	5217	52.46	14			1.15	31	4769	47.61	14	1.20	36	4159	40.92	14	1.25			41	3631	35.72	13	1.35							49	3101	30.29	13	1.40	56	2752	26.48	13	1.50	66	2327	22.39	12	1.55	41	3573	36.05	27		0.90	GS99 GSF99 GSA99 GSAF99		4P	36	6745	40.92	12			0.95	45	3231			32.60	27	0.95			53	2754	27.63	27	1.05	65			2246	22.65	27	1.20	72	2027	20.48	23	1.20	85			1717	17.36	23	1.40	97	1505	15.16	23			1.60	116	1258	12.68	22	1.70	134	1089	10.98	22	1.80																																																																								
134	1292	10.98	21	1.65	18.5kW							30kW							16	8425	94.48	15	0.80	GS109 GSF109 GSA109 GSAF109	4P	31	7734		47.61	12		0.85	GS109 GSF109 GSA109 GSAF109			4P	18	7145	80.13	15	0.90					21	6991	70.04					15	0.90	23					6383	65.10	15	1.00			25	5818	59.13			15	1.10	28	5217	52.46			14			1.15	31	4769	47.61	14			1.20	36	4159	40.92	14	1.25	41	3631	35.72	13	1.35			49	3101	30.29	13	1.40				56	2752		26.48	13	1.50	66	2327	22.39	12	1.55	41	3573	36.05	27	0.90	GS99 GSF99 GSA99 GSAF99	4P	36	6745	40.92	12		0.95		45		3231	32.60	27	0.95			53	2754	27.63	27		1.05	65	2246			22.65	27	1.20	72	2027	20.48			23	1.20	85	1717	17.36	23	1.40	97	1505	15.16			23	1.60	116	1258	12.68	22	1.70	134			1089	10.98	22	1.80																																																																															
18.5kW							30kW																																																																																																																																																																																																																																																																	
16	8425	94.48	15	0.80	GS109 GSF109 GSA109 GSAF109	4P	31	7734	47.61	12	0.85	GS109 GSF109 GSA109 GSAF109	4P																																																																																																																																																																																																																																																											
18	7145	80.13	15	0.90			21	6991	70.04	15	0.90			23	6383	65.10	15	1.00	25	5818	59.13	15	1.10			28	5217	52.46	14	1.15	31	4769					47.61	14	1.20	36	4159					40.92	14	1.25					41	3631	35.72					13	1.35	49	3101			30.29	13	1.40			56	2752	26.48	13	1.50			66			2327	22.39	12	1.55	41			3573	36.05	27	0.90	GS99 GSF99 GSA99 GSAF99	4P	36	6745	40.92	12	0.95	45	3231	32.60	27	0.95	53	2754	27.63	27	1.05	65	2246	22.65	27	1.20	72	2027	20.48	23	1.20	85	1717	17.36	23	1.40	97			1505	15.16	23	1.60	116	1258		12.68		22	1.70	134	1089			10.98	22	1.80																																																																																																																								
21	6991	70.04	15	0.90			23	6383	65.10	15	1.00			25	5818	59.13	15	1.10	28	5217	52.46	14	1.15			31	4769	47.61	14	1.20	36	4159					40.92	14	1.25	41	3631					35.72	13	1.35					49	3101	30.29					13	1.40	56	2752			26.48	13	1.50			66	2327	22.39	12	1.55			41	3573	36.05	27	0.90	GS99 GSF99 GSA99 GSAF99	4P	36	6745	40.92	12	0.95	45	3231			32.60	27	0.95	53	2754	27.63	27	1.05	65	2246	22.65	27	1.20	72	2027	20.48	23	1.20	85	1717	17.36	23	1.40	97	1505	15.16	23	1.60	116	1258	12.68			22	1.70	134	1089	10.98	22		1.80																																																																																																																																		
23	6383	65.10	15	1.00			25	5818	59.13	15	1.10			28	5217	52.46	14	1.15	31	4769	47.61	14	1.20			36	4159	40.92	14	1.25	41	3631					35.72	13	1.35	49	3101					30.29	13	1.40					56	2752	26.48					13	1.50	66	2327			22.39	12	1.55	41	3573	36.05	27	0.90	GS99 GSF99 GSA99 GSAF99	4P	36	6745	40.92	12	0.95	45	3231			32.60	27	0.95	53	2754	27.63	27			1.05	65	2246	22.65	27	1.20	72	2027	20.48	23	1.20	85	1717	17.36	23	1.40	97	1505	15.16	23	1.60	116	1258	12.68	22	1.70	134	1089	10.98	22	1.80																																																																																																																																												
25	5818	59.13	15	1.10			28	5217	52.46	14	1.15			31	4769	47.61	14	1.20	36	4159	40.92	14	1.25			41	3631	35.72	13	1.35	49	3101					30.29	13	1.40	56	2752					26.48	13	1.50					66	2327	22.39		12	1.55		41	3573	36.05	27	0.90	GS99 GSF99 GSA99 GSAF99	4P	36	6745	40.92	12	0.95	45	3231			32.60	27	0.95	53	2754	27.63	27			1.05	65	2246	22.65	27	1.20	72			2027	20.48	23	1.20	85	1717	17.36	23	1.40	97	1505	15.16	23	1.60	116	1258	12.68	22	1.70	134	1089	10.98	22	1.80																																																																																																																																																			
28	5217	52.46	14	1.15			31	4769	47.61	14	1.20			36	4159	40.92	14	1.25	41	3631	35.72	13	1.35			49	3101	30.29	13	1.40	56	2752					26.48	13	1.50	66	2327					22.39	12	1.55	41	3573			36.05	27	0.90	GS99 GSF99 GSA99 GSAF99	4P	36	6745	40.92	12	0.95	45	3231			32.60	27	0.95	53	2754	27.63	27			1.05	65	2246	22.65	27	1.20	72			2027	20.48	23	1.20	85	1717	17.36			23	1.40	97	1505	15.16	23	1.60	116	1258	12.68	22	1.70	134	1089	10.98	22	1.80																																																																																																																																																										
31	4769	47.61	14	1.20			36	4159	40.92	14	1.25			41	3631	35.72	13	1.35	49	3101	30.29	13	1.40			56	2752	26.48	13	1.50	66	2327					22.39	12	1.55	41	3573	36.05	27			0.90	GS99 GSF99 GSA99 GSAF99	4P	36	6745	40.92	12	0.95	45	3231			32.60	27	0.95	53	2754	27.63	27			1.05	65	2246	22.65	27	1.20	72			2027	20.48	23	1.20	85	1717	17.36			23	1.40	97	1505	15.16	23	1.60			116	1258	12.68	22	1.70	134	1089	10.98	22	1.80																																																																																																																																																																	
36	4159	40.92	14	1.25			41	3631	35.72	13	1.35			49	3101	30.29	13	1.40	56	2752	26.48	13	1.50			66	2327	22.39	12	1.55	41	3573		36.05	27		0.90	GS99 GSF99 GSA99 GSAF99	4P	36	6745	40.92	12	0.95	45	3231			32.60	27	0.95	53	2754	27.63	27			1.05	65	2246	22.65	27	1.20	72			2027	20.48	23	1.20	85	1717	17.36			23	1.40	97	1505	15.16	23	1.60			116	1258	12.68	22	1.70	134	1089			10.98	22	1.80																																																																																																																																																																								
41	3631	35.72	13	1.35			49	3101	30.29	13	1.40			56	2752	26.48	13	1.50	66	2327	22.39	12	1.55	41	3573	36.05	27	0.90	GS99 GSF99 GSA99 GSAF99	4P	36	6745	40.92	12	0.95	45	3231			32.60	27	0.95	53	2754	27.63	27			1.05	65	2246	22.65	27	1.20	72			2027	20.48	23	1.20	85	1717	17.36			23	1.40	97	1505	15.16	23	1.60			116	1258	12.68	22	1.70	134	1089			10.98	22	1.80																																																																																																																																																																																	
49	3101	30.29	13	1.40			56	2752	26.48	13	1.50			66	2327	22.39	12	1.55	41	3573	36.05	27	0.90	GS99 GSF99 GSA99 GSAF99	4P	36	6745	40.92			12	0.95	45	3231	32.60	27	0.95			53	2754	27.63	27	1.05	65	2246			22.65	27	1.20	72	2027	20.48	23			1.20	85	1717	17.36	23	1.40	97			1505	15.16	23	1.60	116	1258	12.68			22	1.70	134	1089	10.98	22	1.80																																																																																																																																																																																						
56	2752	26.48	13	1.50	66	2327	22.39	12	1.55	41	3573	36.05	27	0.90	GS99 GSF99 GSA99 GSAF99	4P	36	6745	40.92	12	0.95	45	3231			32.60	27	0.95			53	2754	27.63	27	1.05	65	2246			22.65	27	1.20	72	2027	20.48	23			1.20	85	1717	17.36	23	1.40	97			1505	15.16	23	1.60	116	1258	12.68			22	1.70	134	1089	10.98	22	1.80																																																																																																																																																																																															
66	2327	22.39	12	1.55	41	3573	36.05	27	0.90	GS99 GSF99 GSA99 GSAF99	4P	36	6745	40.92			12	0.95	45	3231	32.60	27	0.95			53	2754	27.63			27	1.05	65	2246	22.65	27	1.20			72	2027	20.48	23	1.20	85	1717			17.36	23	1.40	97	1505	15.16	23			1.60	116	1258	12.68	22	1.70	134			1089	10.98	22	1.80																																																																																																																																																																																																		
41	3573	36.05	27	0.90	GS99 GSF99 GSA99 GSAF99	4P	36	6745	40.92			12	0.95																																																																																																																																																																																																																																																											
45	3231	32.60	27	0.95			53	2754	27.63			27	1.05	65			2246	22.65	27	1.20	72	2027	20.48			23	1.20	85			1717	17.36	23	1.40	97	1505	15.16			23	1.60	116	1258	12.68	22	1.70			134	1089	10.98	22	1.80																																																																																																																																																																																																																			
53	2754	27.63	27	1.05			65	2246	22.65			27	1.20	72			2027	20.48	23	1.20	85	1717	17.36			23	1.40	97			1505	15.16	23	1.60	116	1258	12.68			22	1.70	134	1089	10.98	22	1.80																																																																																																																																																																																																																										
65	2246	22.65	27	1.20			72	2027	20.48			23	1.20	85			1717	17.36	23	1.40	97	1505	15.16			23	1.60	116			1258	12.68	22	1.70	134	1089	10.98			22	1.80																																																																																																																																																																																																																															
72	2027	20.48	23	1.20			85	1717	17.36			23	1.40	97			1505	15.16	23	1.60	116	1258	12.68			22	1.70	134			1089	10.98	22	1.80																																																																																																																																																																																																																																						
85	1717	17.36	23	1.40			97	1505	15.16			23	1.60	116			1258	12.68	22	1.70	134	1089	10.98			22	1.80																																																																																																																																																																																																																																													
97	1505	15.16	23	1.60			116	1258	12.68			22	1.70	134			1089	10.98	22	1.80																																																																																																																																																																																																																																																				
116	1258	12.68	22	1.70			134	1089	10.98			22	1.80																																																																																																																																																																																																																																																											
134	1089	10.98	22	1.80																																																																																																																																																																																																																																																																				

选型参数表
(恒转矩) 87Nm-300Nm
Selection Table
(Constant Torque) 87Nm-300Nm

M_{amax} [Nm]	n_a [r/min]	i	F_{Ra} [kN]	机型号 Type size	P [kW]/4P	M_{amax} [Nm]	n_a [r/min]	i	F_{Ra} [kN]	机型号 Type size	P [kW]/4P			
87	0.13	10037	2.8	GS39R19 GSF39R19 GSA39R19 GSAF39R19	0.12	170	1.4	965	5.0	GS49R19 GSF49R19 GSA49R19 GSAF49R19	0.12			
	0.15	8654	2.8				1.5	865	5.0					
	0.16	8066	2.8				1.7	750	5.0					
	0.19	7051	2.8				2.0	655	5.0					
	0.22	6079	2.8				2.3	574	5.0					
	0.24	5431	2.8				2.6	506	5.0					
	0.28	4747	2.8				3.0	438	5.0					
	0.32	4155	2.8				3.4	388	4.9	GS49R19 GSF49R19 GSA49R19 GSAF49R19	0.18			
	0.36	3632	2.8				3.9	336	4.9					
	0.46	2866	2.8				4.5	294	4.9					
	0.53	2471	2.8				5.2	257	4.9	GS49R19 GSF49R19 GSA49R19 GSAF49R19	0.25			
	0.61	2160	2.8				5.8	229	4.9					
	0.69	1887	2.8				6.7	200	4.9					
	0.79	1665	2.8				7.1	187	4.9					
	0.9	1456	2.8				8.1	165	4.9					
	1	1271	2.8				9.0	148	4.9	GS49R19 GSF49R19 GSA49R19 GSAF49R19	0.37			
	1.2	1121	2.8				10	131	4.9					
	1.3	994	2.8				GS39R19 GSF39R19 GSA39R19 GSAF39R19	0.12	300	0.10	12909	6.7	GS59R19 GSF59R19 GSA59R19 GSAF59R19	0.12
	1.5	869	2.8							0.12	11189	6.7		
	1.7	774	2.8							0.13	10374	6.7		
2	666	2.8	0.15	8992	6.7									
2.2	596	2.8	0.17	7860	6.7									
2.5	521	2.8	0.19	6887	6.7									
2.9	456	2.8	0.22	6055	6.7									
3.3	398	2.8	0.25	5292	6.7									
3.7	351	2.8	0.28	4637	6.7									
4.3	303	2.8	0.32	4092	6.7									
4.9	265	2.8	0.36	3628	6.7									
5.6	232	2.8	0.42	3131	6.7									
6.5	202	2.8	0.48	2714	6.7									
7.3	179	2.8	0.54	2412	6.7									
8.3	158	2.8	0.61	2131	6.7									
9.1	144	2.8	0.70	1863	6.7									
11	118	2.8	0.79	1663	6.7									
12	110	2.8	0.91	1435	6.7									
			1.0	1254	6.7									
			1.2	1083	6.7									
170	0.1	12909	5	GS49R19 GSF49R19 GSA49R19 GSAF49R19	0.12	1.4	965	6.7	GS59R19 GSF59R19 GSA59R19 GSAF59R19	0.12				
	0.12	11189	5			1.5	865	6.7						
	0.13	10374	5			1.7	750	6.7						
	0.15	8992	5			2.0	655	6.7						
	0.17	7860	5			2.3	574	6.7						
	0.19	6887	5			2.6	506	6.7						
	0.22	6055	5			3.0	438	6.7	GS59R19 GSF59R19 GSA59R19 GSAF59R19	0.18				
	0.25	5292	5			3.4	388	6.7						
	0.28	4637	5			4.0	336	6.7						
	0.32	4092	5			4.5	294	6.7	GS59R19 GSF59R19 GSA59R19 GSAF59R19	0.25				
	0.37	3582	5			4.9	269	6.7						
	0.42	3131	5			5.8	229	6.7						
	0.48	2714	5			6.5	204	6.7						
	0.54	2412	5			7.1	187	6.7						
	0.61	2131	5			8.1	165	6.7	GS59R19 GSF59R19 GSA59R19 GSAF59R19	0.37				
	0.7	1863	5			10	131	6.7						
	0.79	1663	5											
	0.91	1435	5						GS59R19 GSF59R19 GSA59R19 GSAF59R19	0.55				
	1	1254	5											
	1.2	1120	5											
1.2	1083	5												

GS 系列斜齿轮-蜗轮蜗杆减速电机

选型参数表
(恒转矩) 520Nm-2300Nm
Selection Table
(Constant Torque) 520Nm-2300Nm

M _{amax} [Nm]	n _a [r/min]	i	F _{Ra} [kN]	机型号 Type size	P [kW]/4P	M _{amax} [Nm]	n _a [r/min]	i	F _{Ra} [kN]	机型号 Type size	P [kW]/4P																																																																																																		
520	0.06	21362	7.8	GS69R39 GSF69R39 GSA69R39 GSAF69R39	0.12	1220	0.13	9887	11	GS79R39 GSF79R39 GSA79R39 GSAF79R39	0.12																																																																																																		
	0.07	19594	7.8				0.15	8817	11																																																																																																				
	0.07	18120	7.8				0.17	7735	11																																																																																																				
	0.08	16682	7.8				0.19	6735	11																																																																																																				
	0.09	14383	7.8				0.22	5943	11																																																																																																				
	0.1	12774	7.8				0.25	5214	11																																																																																																				
	0.12	11013	7.8				0.28	4618	11																																																																																																				
	0.14	9694	7.8				0.33	3992	11																																																																																																				
	0.15	8529	7.8				0.37	3540	11																																																																																																				
	0.18	7455	7.8				0.42	3098	11																																																																																																				
	0.2	6531	7.8					0.48	2753			11																																																																																																	
	0.23	5759	7.8						0.55			2374	11																																																																																																
	0.26	4965	7.8									0.63	2083	11																																																																																															
	0.3	4410	7.8										0.72	1813	11																																																																																														
	0.34	3880	7.8	0.75	1745					11																																																																																																			
	0.38	3432	7.8		0.82		1600			11																																																																																																			
	0.44	2944	7.8				0.95	1404		11																																																																																																			
	0.5	2630	7.8					1.1	1245	11																																																																																																			
	0.57	2279	7.8						1.2	1100	11																																																																																																		
	0.65	2014	7.8									1.4	954	11																																																																																															
	0.74	1772	7.8	1.6											837	11																																																																																													
	0.84	1559	7.8		1.9												714	11																																																																																											
	0.96	1363	7.8				2.2												637	11																																																																																									
	1.1	1194	7.8					2.4													574	11																																																																																							
	1.3	1045	7.8						2.8	499	11																																																																																																		
	1.4	914	7.8									3.2	438	11																																																																																															
	0.18	809	7.8	GS69R39 GSF69R39 GSA69R39 GSAF69R39											0.18	0.37							3.6	365	7.8	GS69R39 GSF69R39 GSA69R39 GSAF69R39	0.37																																																																																		
					0.25												469	7.8										GS69R39 GSF69R39 GSA69R39 GSAF69R39	0.25	4.4	319	7.8	GS69R39 GSF69R39 GSA69R39 GSAF69R39	0.55																																																																											
							0.37												424	7.8															GS69R39 GSF69R39 GSA69R39 GSAF69R39	0.37	4.9	281	7.8	GS69R39 GSF69R39 GSA69R39 GSAF69R39	0.55																																																																				
								0.55													246	7.8																				GS69R39 GSF69R39 GSA69R39 GSAF69R39	0.55	5.7	246	7.8	GS69R39 GSF69R39 GSA69R39 GSAF69R39	0.55																																																													
									0.75	221	7.8																																						GS69R39 GSF69R39 GSA69R39 GSAF69R39	0.75	6.3	221	7.8	GS69R39 GSF69R39 GSA69R39 GSAF69R39	0.75																																																						
												0.12	168	7.8																																										GS69R39 GSF69R39 GSA69R39 GSAF69R39	0.12	8.3	168	7.8	GS69R39 GSF69R39 GSA69R39 GSAF69R39	0.12																																															
																																																															0.12	7	198	7.8	GS79R39 GSF79R39 GSA79R39 GSAF79R39	0.12	0.05	25493	11	GS79R39 GSF79R39 GSA79R39 GSAF79R39	0.12																																				
0.12						0.06																																																																				21787	11	GS79R39 GSF79R39 GSA79R39 GSAF79R39	0.12	0.05	23940	26	GS89R59 GSF89R59 GSA89R59 GSAF89R59	0.12																											
																																																																																			0.12	0.07	19907	11	GS79R39 GSF79R39 GSA79R39 GSAF79R39	0.12	0.06	20568	26	GS89R59 GSF89R59 GSA89R59 GSAF89R59	0.12																
																																																																																														0.12	0.08	17013	11	GS79R39 GSF79R39 GSA79R39 GSAF79R39	0.12	0.07	18265	26	GS89R59 GSF89R59 GSA89R59 GSAF89R59	0.12					
																																																																																																									0.12	0.09	14668	11	GS79R39 GSF79R39 GSA79R39 GSAF79R39
	0.12	0.1	13110	11											GS79R39 GSF79R39 GSA79R39 GSAF79R39	0.12							0.09	14820	26	GS89R59 GSF89R59 GSA89R59 GSAF89R59	0.12																																																																																		
					0.12												0.11	11569										11	GS79R39 GSF79R39 GSA79R39 GSAF79R39	0.12	0.10	13160	26	GS89R59 GSF89R59 GSA89R59 GSAF89R59																																																																											
							0.12												0.12	11200															26	GS79R39 GSF79R39 GSA79R39 GSAF79R39	0.12	0.11	12000	26	GS89R59 GSF89R59 GSA89R59 GSAF89R59																																																																				
								0.12													0.13	9904																				26	GS79R39 GSF79R39 GSA79R39 GSAF79R39	0.12	0.12	11200	26	GS89R59 GSF89R59 GSA89R59 GSAF89R59																																																													
									0.12	0.15	8549																																						26	GS79R39 GSF79R39 GSA79R39 GSAF79R39	0.12	0.13	9904	26	GS89R59 GSF89R59 GSA89R59 GSAF89R59																																																						
												0.12	0.17	7643																																										26	GS79R39 GSF79R39 GSA79R39 GSAF79R39	0.12	0.15	8549	26	GS89R59 GSF89R59 GSA89R59 GSAF89R59																																															
																																																															0.12	0.20	6706	26	GS79R39 GSF79R39 GSA79R39 GSAF79R39	0.12	0.17	7643	26	GS89R59 GSF89R59 GSA89R59 GSAF89R59	0.12																																				
0.12						0.20																																																																				6706	26	GS79R39 GSF79R39 GSA79R39 GSAF79R39	0.12	0.20	6706	26	GS89R59 GSF89R59 GSA89R59 GSAF89R59	0.12																											

选型参数表
(恒转矩) 2300Nm-6500Nm
Selection Table
(Constant Torque) 2300Nm-6500Nm

M_{amax} [Nm]	n_a [r/min]	i	F_{Ra} [kN]	机型号 Type size	P [kW]/4P	M_{amax} [Nm]	n_a [r/min]	i	F_{Ra} [kN]	机型号 Type size	P [kW]/4P	
2300	0.22	5875	26	GS89R59	0.18	4000	0.30	4444	30	GS99R59	0.25	
	0.25	5187	26	GSF89R59			0.33	4017	30	GSF99R59		
	0.28	4606	26	GSA89R59			0.39	3453	30	GSA99R59		
				GSAF89R59						GSAF99R59		
		0.34	3872	26	GS89R59		0.25	0.43	3108	30	GS99R59	0.37
				GSF89R59	0.50			2654	30	GSF99R59		
				GSA89R59	0.57			2329	30	GSA99R59		
				GSAF89R59						GSAF99R59		
		0.38	3475	26	GS89R59		0.25	0.67	2081	30	GS99R59	0.55
		0.46	2905	26	GSF89R59			0.75	1860	30	GSF99R59	
				GSA89R59	0.88			1574	30	GSA99R59		
				GSAF89R59						GSAF99R59		
		0.51	2586	26	GS89R59		0.37	1.0	1394	30	GS99R59	0.75
		0.57	2335	26	GSF89R59			1.1	1223	30	GSF99R59	
		0.65	2054	26	GSA89R59			1.3	1070	30	GSA99R59	
				GSAF89R59						GSAF99R59		
		0.76	1824	26	GS89R59		0.55	1.5	928	30	GS99R59	1.1
		0.85	1631	26	GSF89R59			1.7	824	30	GSF99R59	
		1.0	1332	26	GSA89R59						GSA99R59	
		1.2	1191	26	GSAF89R59						GSAF99R59	
		1.3	1032	26	GS89R59		0.75	2.0	714	31	GS99R59	1.5
		1.5	930	26	GSF89R59			2.2	626	30	GSF99R59	
		1.7	831	26	GSA89R59			2.6	538	30	GSA99R59	
				GSAF89R59						GSAF99R59		
	1.9	719	26	GS89R59	1.1	3.0	484	30	GS99R59	2.2		
	2.2	624	26	GSF89R59		3.4	420	30	GSF99R59			
	2.5	558	26	GSA89R59		3.8	376	30	GSA99R59			
			GSAF89R59					GSAF99R59				
	2.9	485	26	GS89R59	1.5	4.4	327	30	GS99R59	3		
			GSF89R59	5.0		287	30	GSF99R59				
			GSA89R59					GSA99R59				
			GSAF89R59					GSAF99R59				
	3.2	435	26	GS89R59	1.5	5.7	252	30	GS99R59	4		
	3.7	378	26	GSF89R59		6.6	219	30	GSF99R59			
	5.5	255	26	GSA89R59		7.0	205	30	GSA99R59			
	6.3	222	26	GSAF89R5					GSAF99R59			
	6.8	205	26	GS89R59	2.2	6500	0.05	27093	40	GS109R79	0.12	
			GSF89R59	0.06		23118	40	GSF109R79				
			GSA89R59	0.06		20215	40	GSA109R79				
			GSAF89R59	0.07		18344	40	GSAF109R79				
	4.4	323	26	GS89R59	0.08	15767	40	GS109R79				
	5.1	281	26	GSF89R59	0.10	12901	40	GSF109R79				
			GSA89R59	0.11	11708	40	GSA109R79					
			GSAF89R59	0.12	10719	40	GSAF109R79					
				0.13	9727	40						
				0.16	8360	40						
				0.08	15767	40						
4000	0.04	33818	31	GS99R59	0.12	0.10	12901	40	GS109R79	0.18		
	0.04	31154	31	GSF99R59		0.11	11708	40	GSF109R79			
	0.05	27847	31	GSA99R59		0.12	10719	40	GSA109R79			
	0.05	24641	31	GSAF99R59		0.13	9727	40	GSAF109R79			
	0.06	21537	31			0.16	8360	40				
	0.07	18749	31			0.08	15767	40				
	0.08	16233	31			0.10	12901	40				
	0.09	14576	31			0.11	11708	40				
	0.10	12752	31			0.12	10719	40				
	0.12	11267	31			0.14	9727	40				
	0.13	10078	31			0.16	8360	40				
0.15	8608	31	GS99R59	0.18	0.10	12901	40	GS109R79	0.25			
0.17	7554	31	GSF99R59		0.11	11708	40	GSF109R79				
0.20	6640	30	GSA99R59		0.12	10719	40	GSA109R79				
0.23	5780	30	GSAF99R59		0.14	9727	40	GSAF109R79				
0.27	4937	30			0.16	8360	40					

GS 系列斜齿轮-蜗轮蜗杆减速电机

选型参数表

(恒转矩) 6500Nm

Selection Table

(Constant Torque) 6500Nm

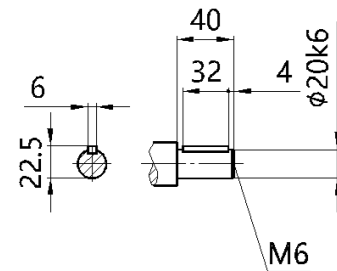
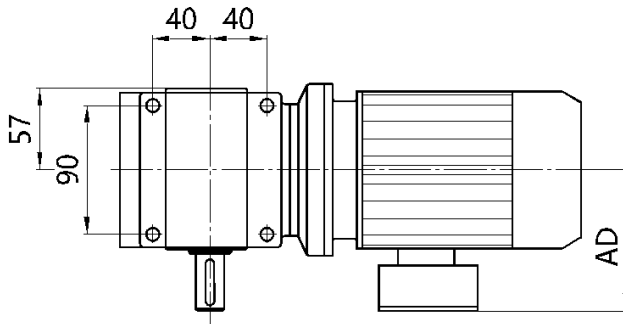
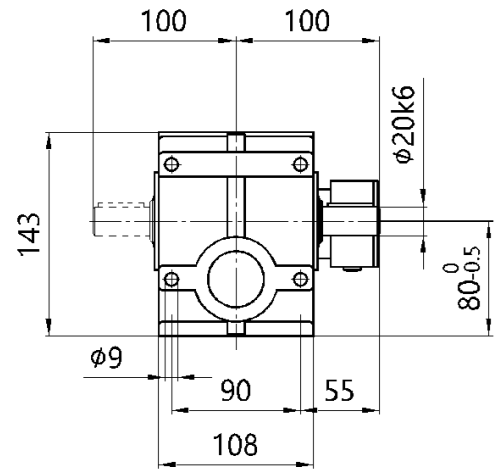
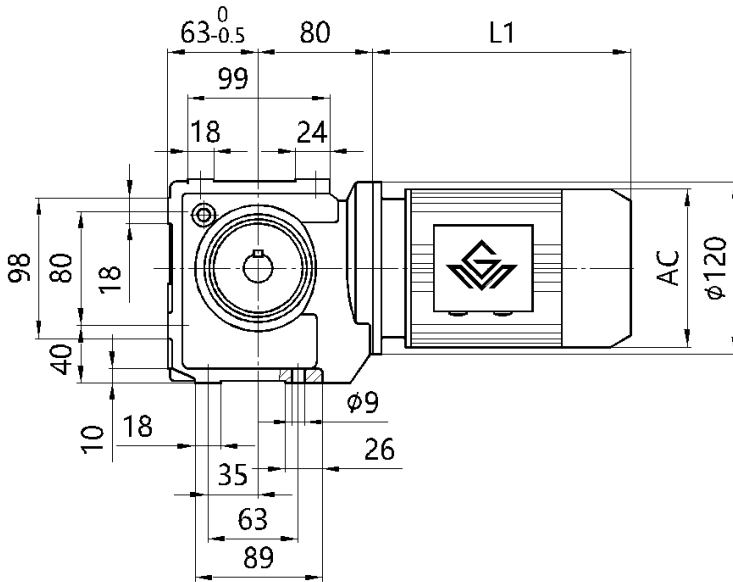
M _{amax} [Nm]	n _a [r/min]	i	F _{Ra} [kN]	机型号 Type size	P [kW]/4P	M _{amax} [Nm]	n _a [r/min]	i	F _{Ra} [kN]	机型号 Type size	P [kW]/4P
6500	0.18	7226	40	GS109R79	0.25	6500	0.94	1521	40	GS109R79 GSF109R79 GSA109R79 GSAF109R79	2.2
	0.20	6557	40	GSF109R79			1.1	1327	40		
	0.23	5769	40	GSA109R79			1.3	1126	40		
				GSAF109R79			1.5	984	40		
	0.14	9727	40	GS109R79 GSF109R79 GSA109R79 GSAF109R79	1.7		864	40			
	0.16	8360	40		1.8		812	40			
	0.18	7226	40		2.1		688	40			
	0.20	6557	40		2.4		602	40			
	0.23	5769	40		1.3		1126	40			
	0.27	4958	40		1.5		984	40			
	0.31	4328	40		1.7		864	40			
					1.8		812	40			
	0.19	7226	40	GS109R79 GSF109R79 GSA109R79 GSAF109R79	2.1		688	40			
	0.21	6557	40		2.4		602	40			
	0.24	5769	40		2.6		544	40			
	0.28	4958	40		3.0		476	40			
	0.32	4328	40		3.5		409	40			
	0.43	3243	40		1.8		812	40			
	0.55	2530	40		2.1		688	40			
					2.4		602	40			
	0.24	5769	40	GS109R79 GSF109R79 GSA109R79 GSAF109R79	2.6		544	40			
	0.28	4958	40		3.0		476	40			
	0.32	4328	40		3.5		409	40			
	0.43	3243	40		4.1		352	40			
	0.55	2530	40		4.7		307	40			
	0.63	2208	40		2.4		602	40			
	0.71	1950	40		2.6		544	40			
					3.0		476	40			
0.43	3243	40	GS109R79 GSF109R79 GSA109R79 GSAF109R79	3.5	409	40					
0.55	2530	40		4.1	352	40					
0.63	2208	40		4.7	307	40					
0.72	1950	40		2.6	544	40					
0.79	1769	40		3.0	476	40					
0.92	1521	40		3.5	409	40					
1.05	1327	40		4.1	352	40					
				4.7	307	40					
0.55	2530	40	GS109R79 GSF109R79 GSA109R79 GSAF109R79	2.6	544	40					
0.63	2208	40		3.0	476	40					
0.72	1950	40		3.5	409	40					
0.79	1769	40		4.1	352	40					
0.92	1521	40		4.7	307	40					
1.05	1327	40		2.6	544	40					
				3.0	476	40					
				3.5	409	40					
0.55	2530	40	GS109R79 GSF109R79 GSA109R79 GSAF109R79	4.1	352	40					
0.63	2208	40		4.7	307	40					
0.72	1950	40		2.6	544	40					
0.79	1769	40		3.0	476	40					
0.92	1521	40		3.5	409	40					
1.1	1327	40		4.1	352	40					
1.2	1126	40		4.7	307	40					
1.4	984	40									

安装结构尺寸

GS39

Mounting Dimensional Description

GS39



注：电机需方配或配特殊电机时需加联接法兰（见附录 D）

Note: When equipping the user's motor or the special one, the flange is required to be connected. (Please see appendix D)

注：直联电机尺寸见附录 A-2 和 A-3

Note: See Appendix A-2 and A-3 for dimensions of direct-connected motors

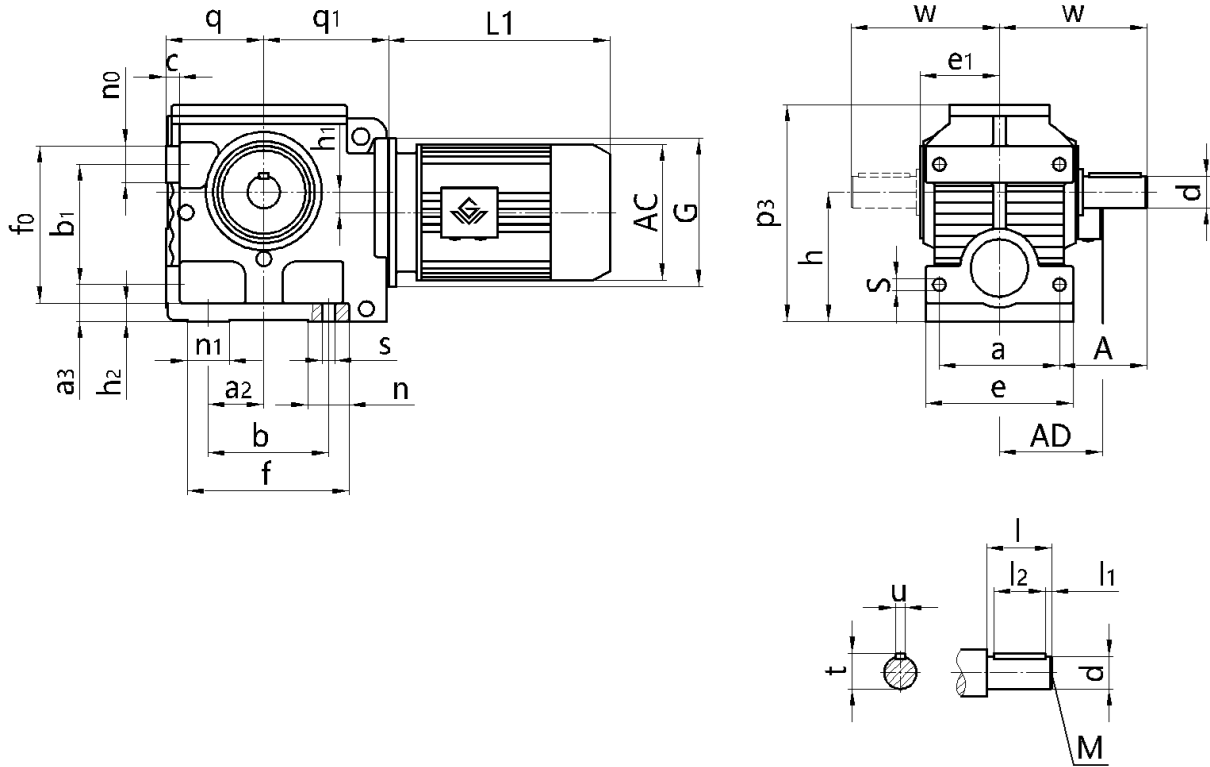
GS 系列斜齿轮-蜗轮蜗杆减速电机

安装结构尺寸

GS49-99

Mounting Dimensional Description

GS49-99



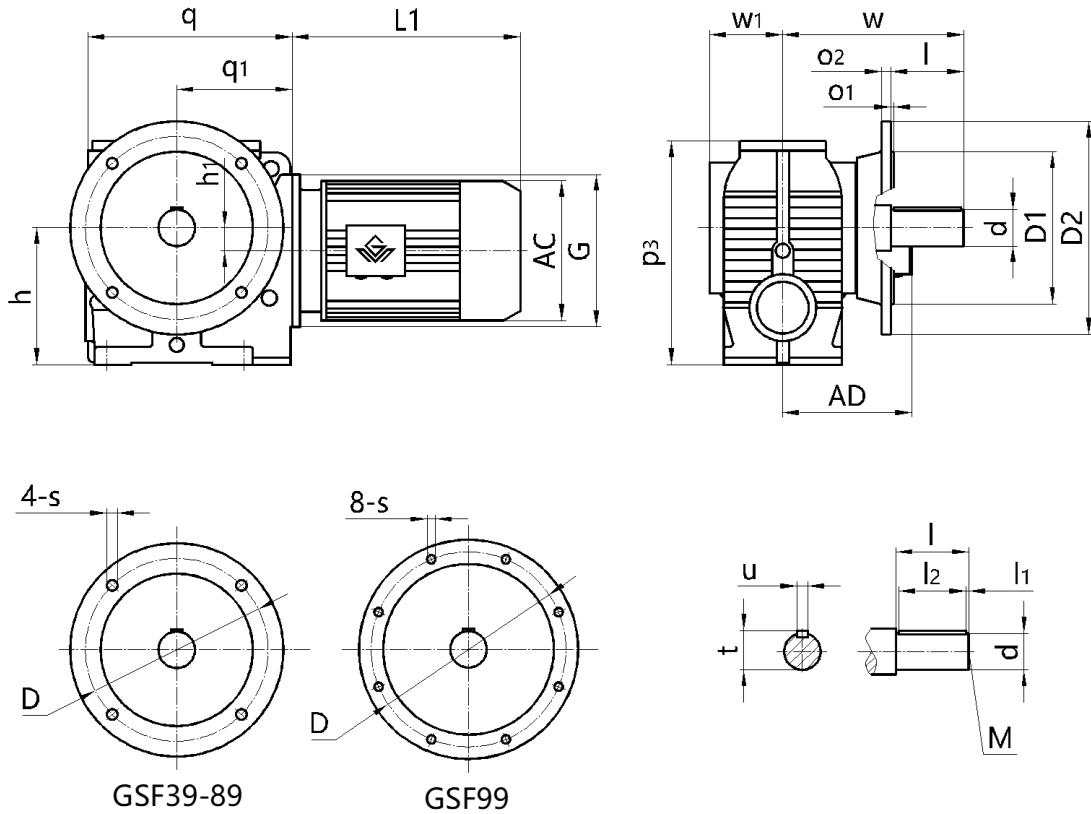
机型号 Type Size	q d	q1 w	c A	f0 a	b1 e	n0 h	a3 p3	h1 e1	h2 u	n1 t	a2 l	s l1	n l2	b M	f G	电机尺寸 Motor Size			
																AC	AD	L1	
GS49	75 ^{-0.5}	96	12	105	80	25	35	8	15	30	35	Φ11	32	80	112	见附录 A-2 和 A-3 Please see appendix A-2 and A-3			
	Φ25k6	115	65	100	120	100 ^{-0.5}	167	60	8	28	50	5	40	M10	Φ120				
GS59	80 ^{-0.5}	107	12	130	100	30	35	20	15	30	45	Φ11	30	100	130				
	Φ30k6	134	79	110	136	112 ^{-0.5}	190	71	8	33	60	3.5	50	M10	Φ120				
GS69	106 ^{-0.5}	135	15	170	130	40	40	22	20	45	60	Φ13.5	45	130	175				
	Φ35k6	160	95	130	160	140 ^{-0.5}	238	85.5	10	38	70	7	56	M12	Φ160				
GS79	125 ^{-0.5}	162	25	177	135	42	70	34	25	50	75	Φ17.5	69	135	204				
	Φ45k6	195	120	150	185	180 ^{-0.5}	304	101	14	48.5	90	5	80	M16	Φ200				
GS89	150 ^{-0.5}	190	30	230	180	50	82	37.5	30	60	92	Φ22	67	180	247				
	Φ60m6	255	155	200	250	225 ^{-0.5}	372	130	18	64	120	5	110	M20	Φ250				
GS99	180 ^{-0.5}	240	35	295	235	60	90	52	35	80	115	Φ26	85	235	320				
	Φ70m6	295	170	250	300	280 ⁻¹	461	150	20	74.5	140	7.5	125	M20	Φ300				

注：减速机部分的外形尺寸，未包含通气帽的高度尺寸。通气帽的高度尺寸为 17。

Note:the dimensions don't include the height of the breathe valve.the height of the breathe valve is 17.

注：电机需方配或配特殊电机时需加联接法兰（见附录 D）

Note:When equipping the user's motor or the special one, the flange is required to connected. (Please see appendix D)

安装结构尺寸
GSF39-99
Mounting Dimensional Description
GSF39-99


机型号 Type Size	q p ₃	q ₁ w	h w ₁	h ₁ u	s t	D l	D1 l ₁	D2 l ₂	o ₁ d	o ₂ M	G	电机尺寸 Motor Size															
												AC	AD	L1													
GSF39	143	80	82 ^{-0.5}	/	Φ9/Φ6.6	Φ130/Φ100	Φ110j6/Φ80j6	Φ160/Φ120	3.5/3	10/8	Φ120	见附录 A-2 和 A-3 Please see appendix A-2 and A-3															
	131	115	57	6	22.5	40	4	32	Φ20k6	M6																	
GSF49	175	96	100 ^{-0.5}	8	Φ9	Φ130	Φ110j6	Φ160	3.5	10	Φ120					见附录 A-2 和 A-3 Please see appendix A-2 and A-3											
	181	133.5	57.5	8	28	50	5	40	Φ25k6	M10																	
GSF59	191	107	112 ^{-0.5}	20	Φ11	Φ165	Φ130j6	Φ200	3.5	10	Φ120									见附录 A-2 和 A-3 Please see appendix A-2 and A-3							
	191	160	72	8	33	60	3.5	50	Φ30k6	M10																	
GSF69	246	135	140 ^{-0.5}	22	Φ11	Φ165	Φ130j6	Φ200	3.5	12	Φ160													见附录 A-2 和 A-3 Please see appendix A-2 and A-3			
	238	190	80.5	10	38	70	7	56	Φ35k6	M12																	
GSF79	292	162	180 ^{-0.5}	34	Φ13.5	Φ215	Φ180j6	Φ250	4	15	Φ200	见附录 A-2 和 A-3 Please see appendix A-2 and A-3															
	304	232	125	14	48.5	90	5	80	Φ45k6	M16																	
GSF89	344	190	225 ^{-0.5}	37.5	Φ17.5	Φ300	Φ250h6	Φ350	5	15	Φ250					见附录 A-2 和 A-3 Please see appendix A-2 and A-3											
	372	290	150	18	64	120	5	110	Φ60m6	M20																	
GSF99	425	240	280 ⁻¹	52	Φ17.5	Φ400	Φ350h6	Φ450	5	22	Φ300									见附录 A-2 和 A-3 Please see appendix A-2 and A-3							
	460	340	170	20	74.5	140	7.5	125	Φ70m6	M20																	

注：减速机部分的外形尺寸，未包含通气帽的高度尺寸。通气帽的高度尺寸为 17。

Note: the dimensions don't include the height of the breathe valve. the height of the breathe valve is 17.

注：电机需方配或配特殊电机时需加联接法兰（见附录 D）

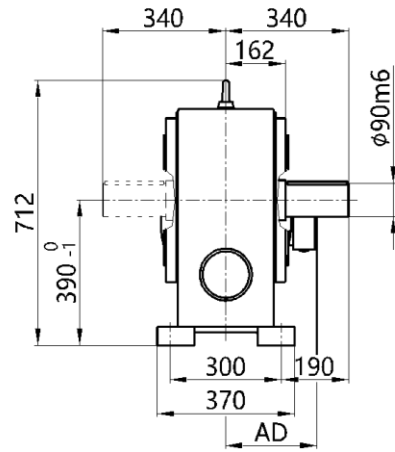
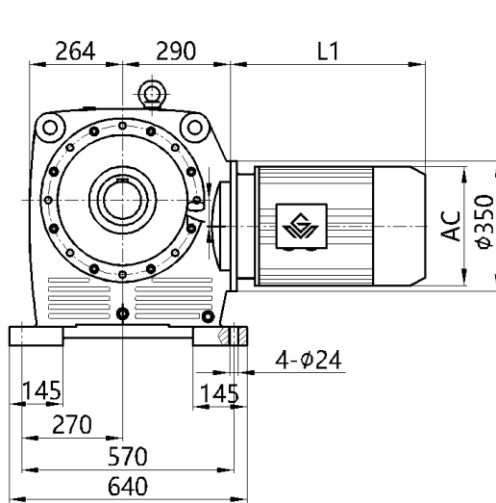
Note: When equipping the user's motor or the special one, the flange is required to connected. (Please see appendix D)

GS 系列斜齿轮-蜗轮蜗杆减速电机

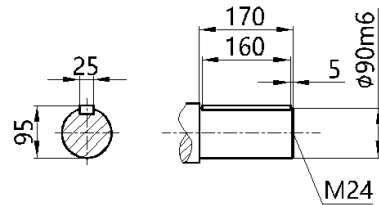
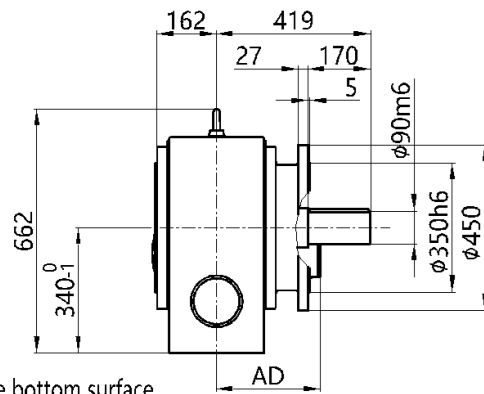
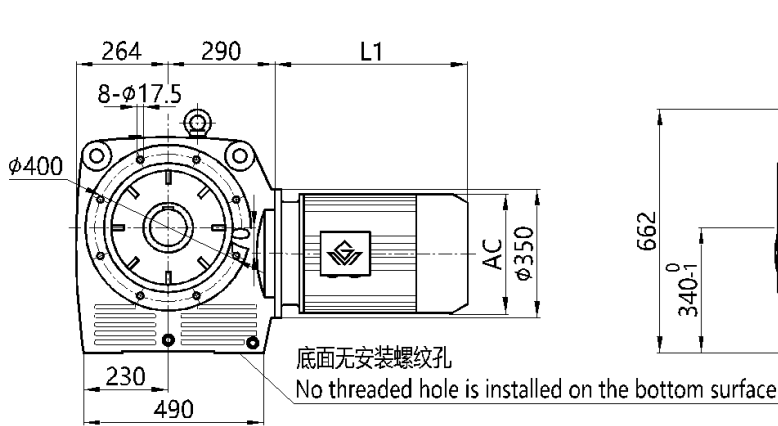
安装结构尺寸 GS109/GSF109

Mounting Dimensional Description GS109/GSF109

GS109



GSF109



注：电机需方配或配特殊电机时需加联接法兰（见附录 D）

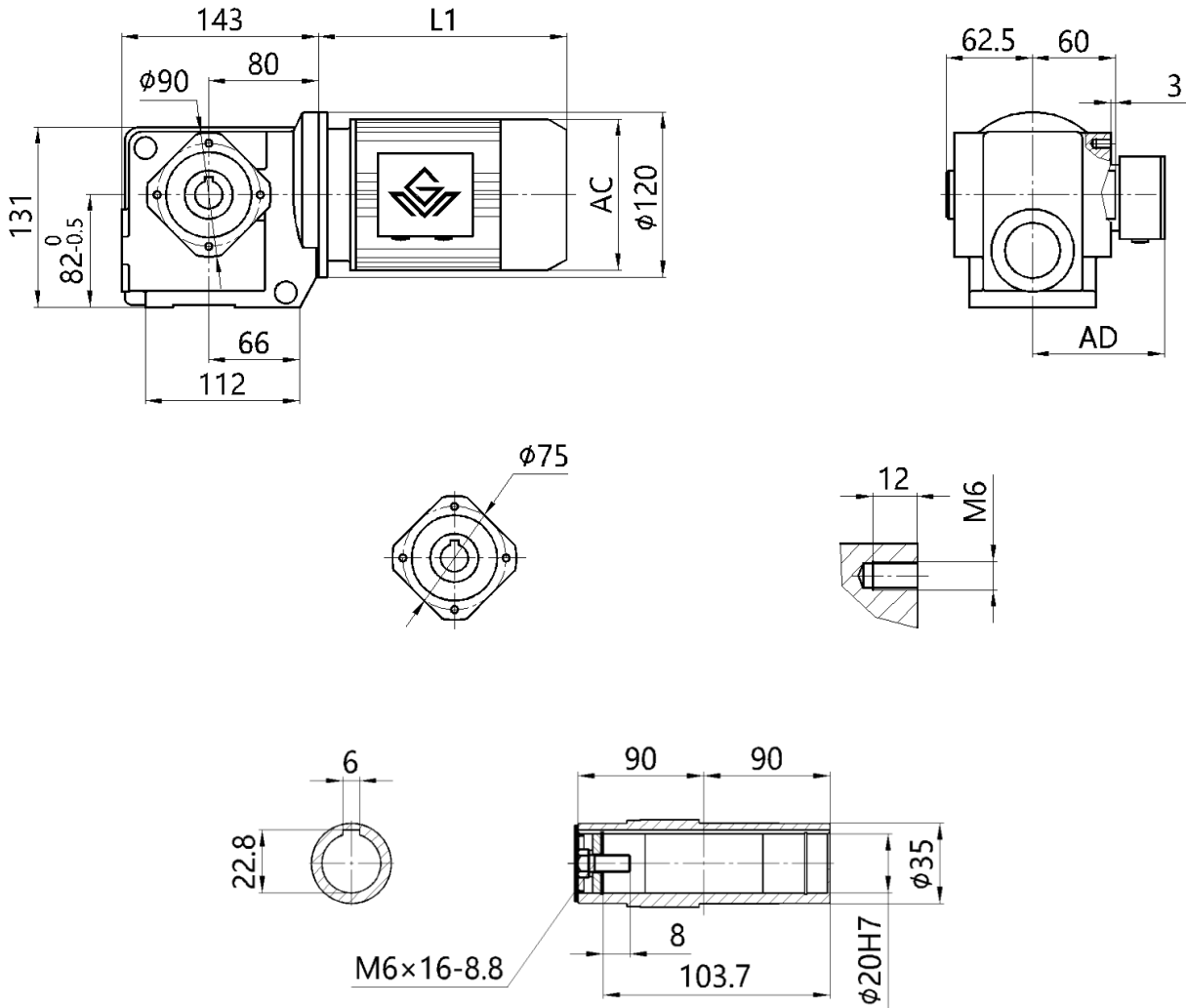
Note: When equipping the user's motor or the special one, the flange is required to connected. (Please see appendix D)

注：直联电机尺寸见附录 A-2 和 A-3

Note: See Appendix A-2 and A-3 for dimensions of direct-connected motors

安装结构尺寸
GSA39

Mounting Dimensional Description
GSA39



注：电机需方配或配特殊电机时需加联接法兰（见附录 D）

Note: When equipping the user's motor or the special one, the flange is required to connected. (Please see appendix D)

注：直联电机尺寸见附录 A-2 和 A-3

Note: See Appendix A-2 and A-3 for dimensions of direct-connected motors

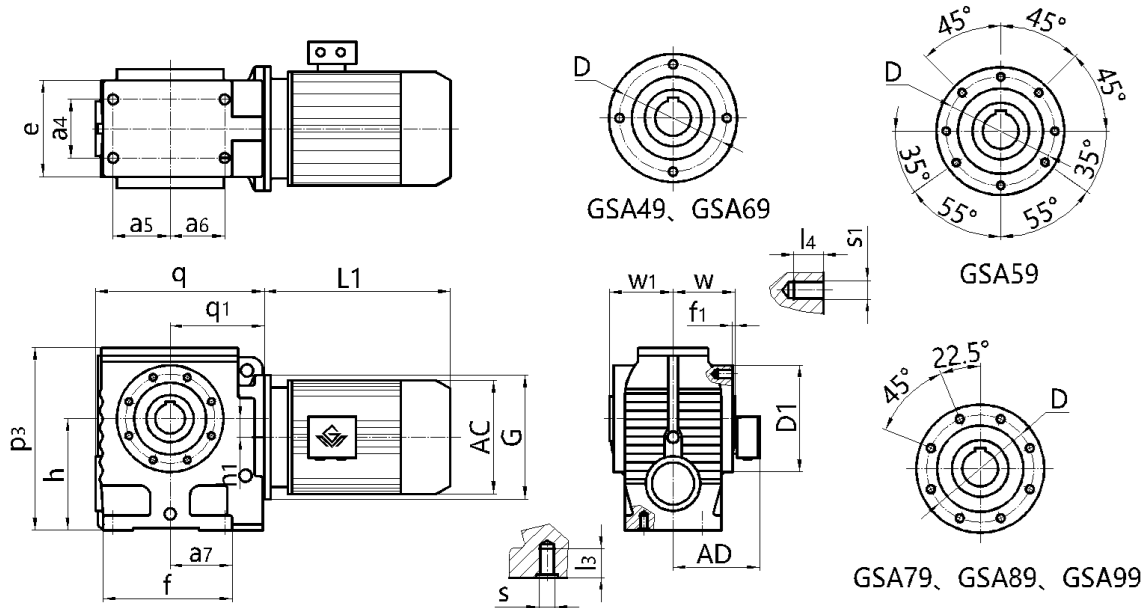
GS 系列斜齿轮-蜗轮蜗杆减速电机

安装结构尺寸

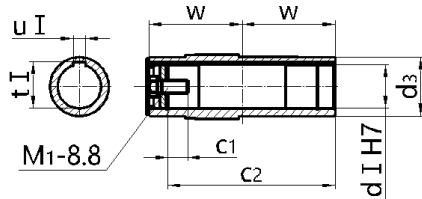
GSA49-99

Mounting Dimensional Description

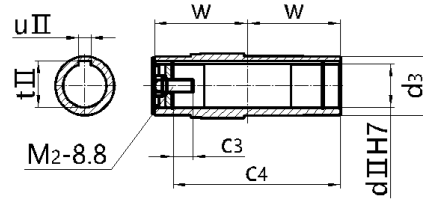
GSA49-99



较大孔径 (The bigger diameter of bore)



较小孔径 (The smaller diameter of bore)



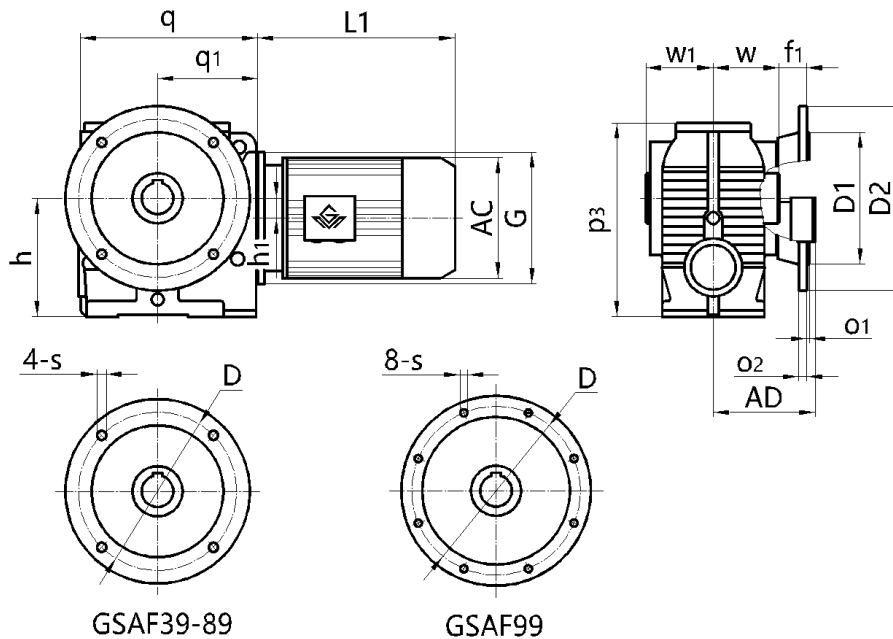
机型号 Type Size	e h ₁	a ₄ a ₇	a ₅ f	a ₆ w	s f ₁	l ₃ D ₁	s ₁ d ₃	l ₄ d _I	D u _I	q t _I	q ₁ d _{II}	p ₃ u _{II}	h t _{II}	c ₁ c ₂	c ₃ c ₄	M ₁ M ₂	G w ₁	电机尺寸 Motor Size		
																		AC	AD	L1
GSA49	94	60	35	52	M10	20	M8	14	Φ115	175	96	181	100 _{-0.5}	17	17	M10×25	Φ120	见附录 A-2 和 A-3 Please see appendix A-2 and A-3		
	8	67	127	60	2.5	Φ130	Φ45	Φ30	8	33.3	Φ25	8	28.3	103.7	103.7	M10×25	63			
GSA59	100	60	58.5	58.5	M10	20	M8	15	Φ102	191	107	191	112 _{-0.5}	22	17	M12×30	Φ120			
	20	73	146	75	3	Φ120	Φ50	Φ35	10	38.3	Φ30	8	33.3	132	132	M10×25	78			
GSA69	130	88	71.5	80.5	M12	25	M12	20	Φ130	246	135	238	140 _{-0.5}	29	29	M16×40	Φ160			
	22	95.5	182	84	3.5	Φ155	Φ65	Φ45	14	48.8	Φ40	12	43.3	144	144	M16×40	87			
GSA79	156	102	85	85	M16	32	M12	21	Φ155	292	162	304	180 _{-0.5}	37	32	M20×50	Φ200			
	34	104	204	105	4	Φ178	Φ80	Φ60	18	64.4	Φ50	14	53.8	183	183	M16×45	108			
GSA89	194	118	115	110	M16	32	M16	28	Φ180	344	190	372	225 _{-0.5}	34	36	M20×50	Φ250			
	37.5	125	260	125	5	Φ215	Φ95	Φ70	20	74.9	Φ60	18	64.4	220	220	M20×50	128			
GSA99	236	160	135	113	M20	37	M16	28	Φ220	425	240	460	280 ₋₁	41	34	M24×60	Φ300			
	52	140	301	145	5	Φ260	Φ120	Φ90	25	95.4	Φ70	20	74.9	260	260	M20×50	149			

注：减速机部分的外形尺寸，未包含通气帽的高度尺寸。通气帽的高度尺寸为 17。

Note: the dimensions don't include the height of the breathe valve. the height of the breathe valve is 17.

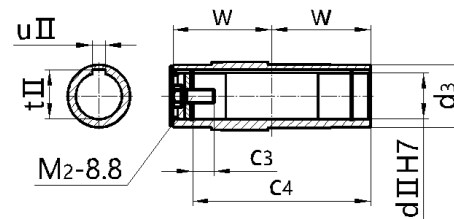
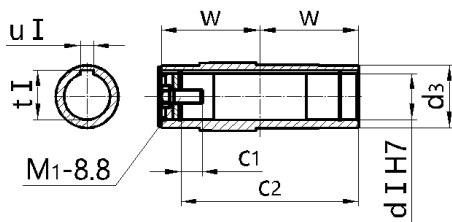
注：电机需方配或配特殊电机时需加联接法兰（见附录 D）

Note: When equipping the user's motor or the special one, the flange is required to connected. (Please see appendix D)

安装结构尺寸
GSAF39-99
Mounting Dimensional Description
GSAF39-99


较大孔径 (The bigger diameter of bore)

较小孔径 (The smaller diameter of bore)



机型号 Type Size	q p ₃	q ₁ w	h f ₁	h ₁ d ₃	s d I	D u I	D1 t I	D2 d II	o ₁ u II	o ₂ t II	c ₁ c ₂	c ₃ c ₄	M ₁ M ₂	G w ₁	电机尺寸 Motor Size		
															AC	AD	L1
GSAF39	143	80	82 ^{-0.5}	/	Φ9/Φ6.6	Φ130/Φ100	Φ110j6/Φ80j6	Φ160/Φ120	3.5/3	10/8	8	/	M6×16	Φ120			
	131	60	15	Φ35	Φ20	6	22.8	/	/	/	103.7	/	/	62.5			
GSAF49	175	96	100 ^{-0.5}	8	Φ9	Φ130	Φ110j6	Φ160	3.5	10	17	17	M10×25	Φ120			
	181	60	24	Φ45	Φ30	8	33.3	Φ25	8	28.3	103.7	103.7	M10×25	63			
GSAF59	191	107	112 ^{-0.5}	20	Φ11	Φ165	Φ130j6	Φ200	3.5	12	22	17	M12×30	Φ120	见附录 A-2 和 A-3		
	191	75	25	Φ50	Φ35	10	38.3	Φ30	8	33.3	132	132	M10×25	78			
GSAF69	246	135	140 ^{-0.5}	22	Φ11	Φ165	Φ130j6	Φ200	3.5	12	29	29	M16×40	Φ160	Please see appendix A-2 and A-3		
	238	84	42.5	Φ65	Φ45	14	48.8	Φ40	12	43.3	144	144	M16×40	87			
GSAF79	292	162	180 ^{-0.5}	34	Φ13.5	Φ215	Φ180j6	Φ250	4	15	37	32	M20×50	Φ200			
	304	105	45.5	Φ80	Φ60	18	64.4	Φ50	14	53.8	183	183	M16×45	108			
GSAF89	344	190	225 ^{-0.5}	37.5	Φ17.5	Φ300	Φ250h6	Φ350	5	15	34	36	M20×50	Φ250			
	372	125	52.5	Φ95	Φ70	20	74.9	Φ60	18	64.4	220	220	M20×50	128			
GSAF99	425	240	280 ⁻¹	52	Φ17.5	Φ400	Φ350h6	Φ450	5	17	41	34	M24×60	Φ300			
	460	145	60	Φ120	Φ90	25	95.4	Φ70	20	74.9	260	260	M20×50	149			

注：减速机部分的外形尺寸，未包含通气帽的高度尺寸。通气帽的高度尺寸为 17。

Note: the dimensions don't include the height of the breathe valve. the height of the breathe valve is 17.

注：电机需方配或配特殊电机时需加联接法兰（见附录 D）

Note: When equipping the user's motor or the special one, the flange is required to connected. (Please see appendix D)

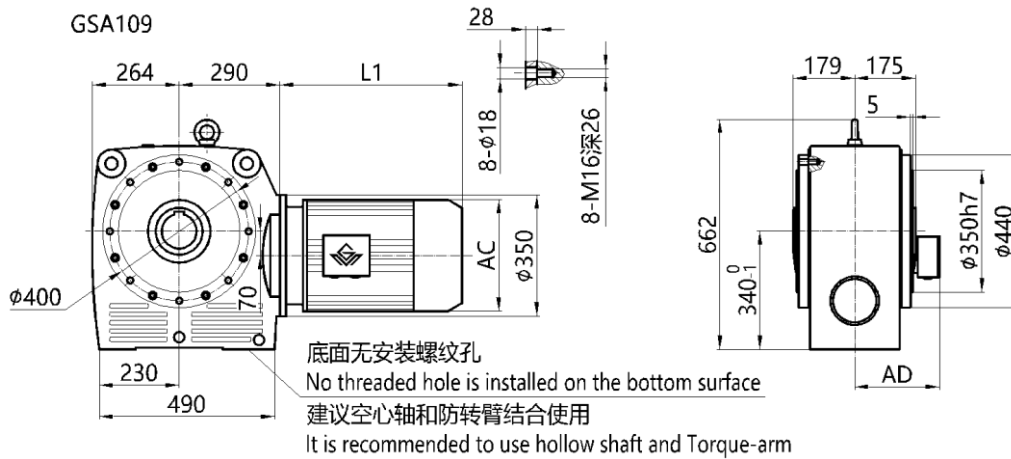
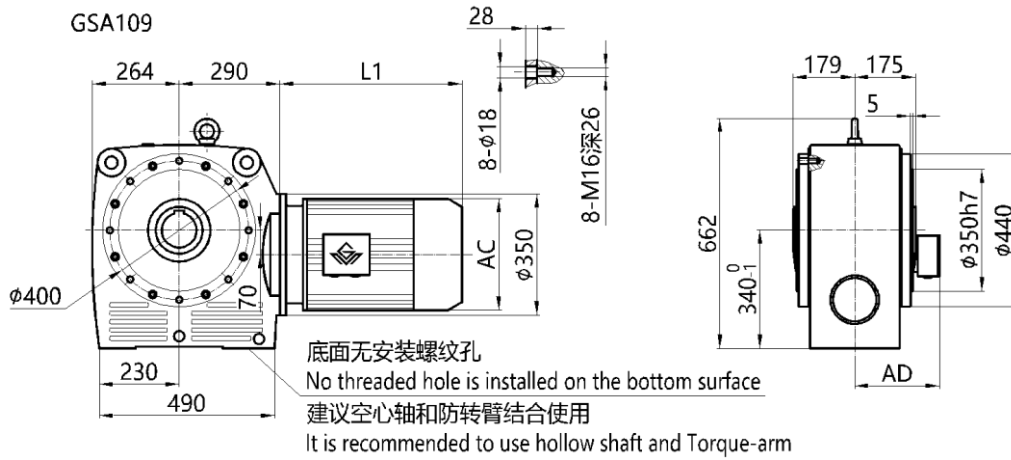
GS 系列斜齿轮-蜗轮蜗杆减速电机

安装结构尺寸

GSA109/GSAF109

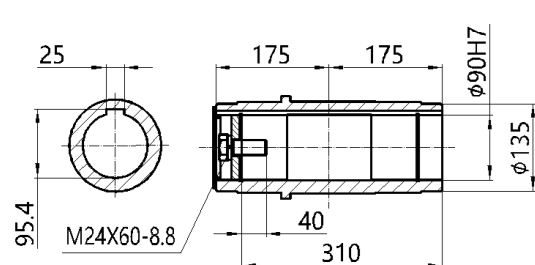
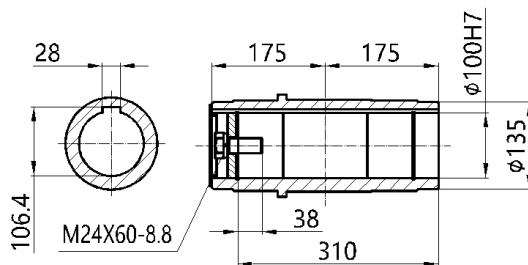
Mounting Dimensional Description

GSA109/GSAF109



较大孔径 (The bigger diameter of bore)

较小孔径 (The smaller diameter of bore)



注: 电机需方配或配特殊电机时需加联接法兰 (见附录 D)

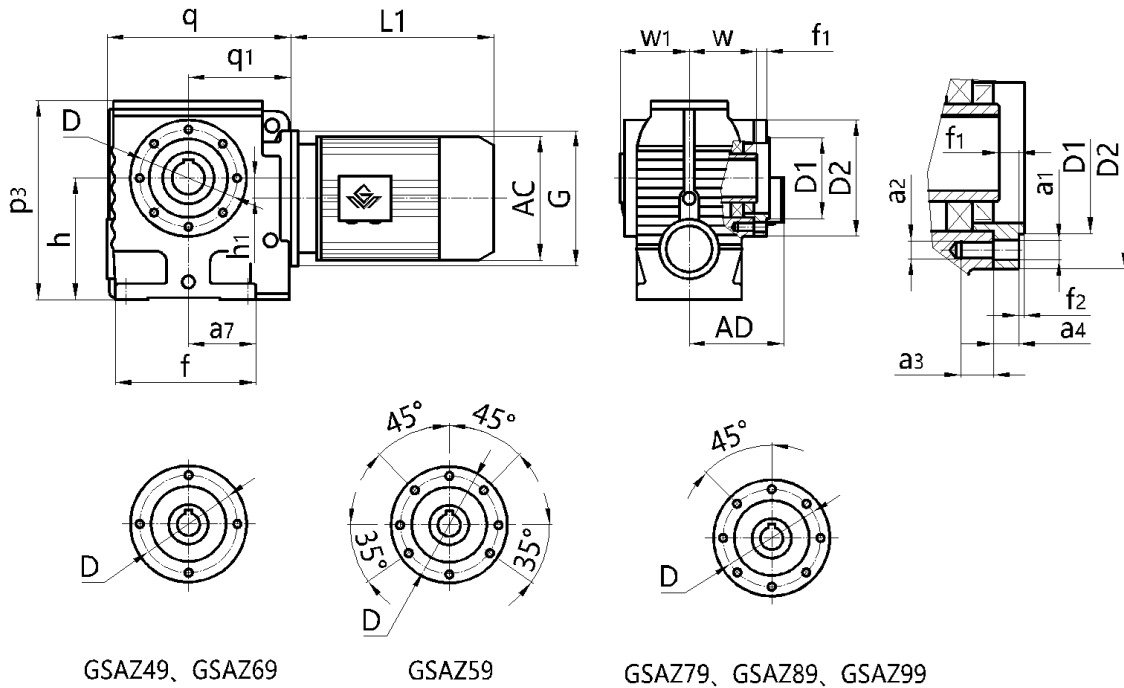
Note: When equipping the user's motor or the special one, the flange is required to be connected. (Please see appendix D)

注: 直联电机尺寸见附录 A-2 和 A-3

Note: See Appendix A-2 and A-3 for dimensions of direct-connected motors

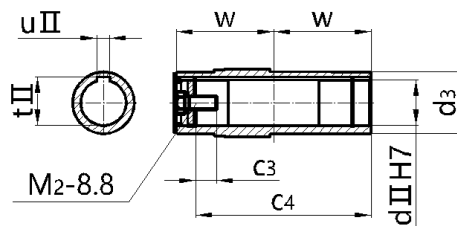
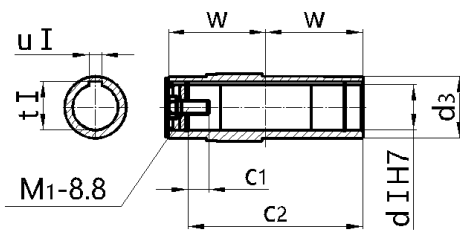
安装结构尺寸
GSAZ49-99

Mounting Dimensional Description
GSAZ49-99



较大孔径 (The bigger diameter of bore)

较小孔径 (The smaller diameter of bore)



机型号 Type Size	d I d II	d3 G	M1 M2	q q1	h h1	p3 f	a7 f2	a2 f1	a3 a1	a4 D	D1 D2	w w1	t I u I	t II u II	c1 c2	c3 c4	电机尺寸 Motor Size		
																	AC	AD	L1
																	GSAZ49	Φ30 Φ25	Φ45 Φ120
GSAZ59	Φ35 Φ30	Φ50 Φ120	M12×30 M10×25	191 107	112-0.5 20	191 146	73 3	M8 8	15 Φ9	11 Φ102	Φ80j6 Φ120	75 78	38.3 10	33.3 8	22 132	17 132			
GSAZ69	Φ45 Φ40	Φ65 Φ160	M16×40 M16×40	246 135	140-0.5 22	238 182	95.5 3.5	M12 9.5	20 Φ13	13 Φ130	Φ105j6 Φ155	84 87	48.8 14	43.3 12	29 144	29 144			
GSAZ79	Φ60 Φ50	Φ80 Φ200	M20×50 M16×45	292 162	180-0.5 34	304 204	104 4	/ 14.5	/ M12	18.5 Φ155	Φ125j6 Φ178	105 108	64.4 18	53.8 14	37 183	32 183			
GSAZ89	Φ70 Φ60	Φ95 Φ250	M20×50 M20×50	344 190	225-0.5 37.5	372 260	125 5	/ 18.5	/ M16	23.5 Φ180	Φ150j6 Φ215	125 128	74.9 20	64.4 18	34 220	36 220			
GSAZ99	Φ90 Φ70	Φ120 Φ300	M24×60 M20×50	425 240	280-1.0 52	460 301	140 5	/ 18.5	/ M16	23.5 Φ220	Φ180j6 Φ260	145 149	95.4 25	74.9 20	41 260	34 260			

注：减速机部分的外形尺寸，未包含通气帽的高度尺寸。通气帽的高度尺寸为 17。

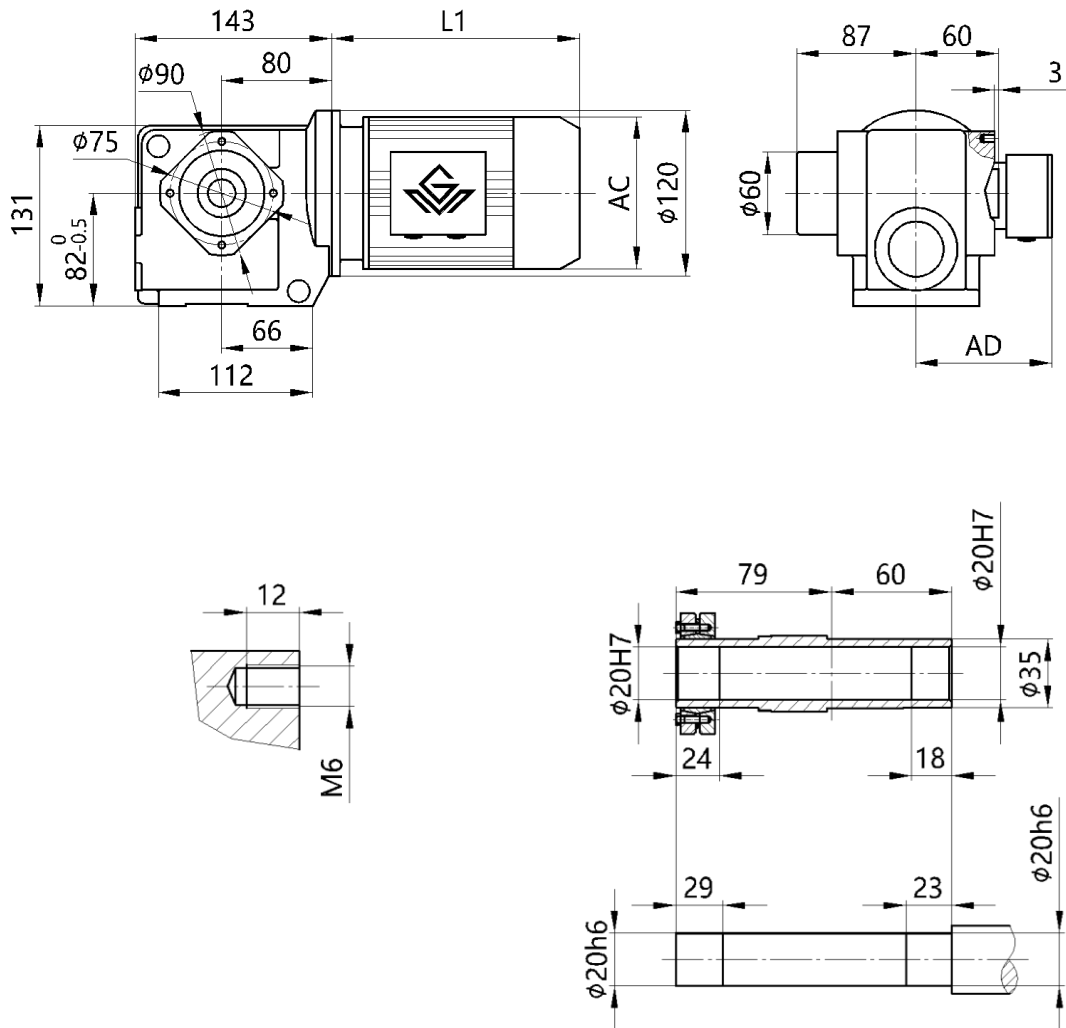
Note: the dimensions don't include the height of the breathe valve. the height of the breathe valve is 17.

注：电机需方配或配特殊电机时需加联接法兰（见附录 D）

Note: When equipping the user's motor or the special one, the flange is required to be connected. (Please see appendix D)

安装结构尺寸 GSH39

Mounting Dimensional Description GSH39

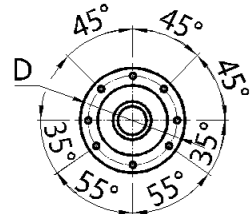
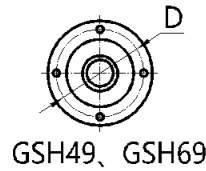
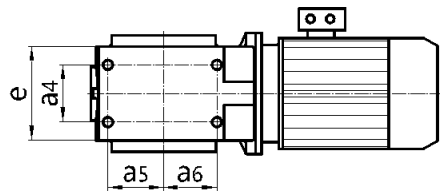
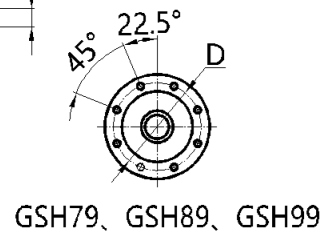
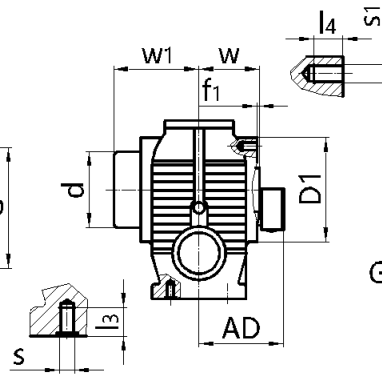
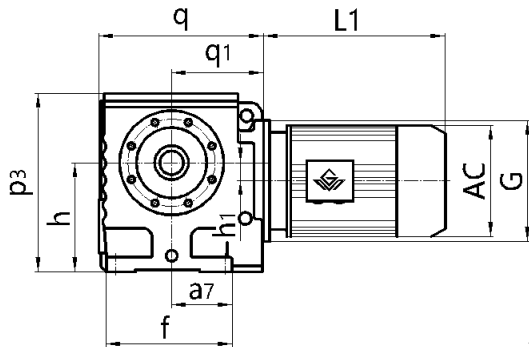
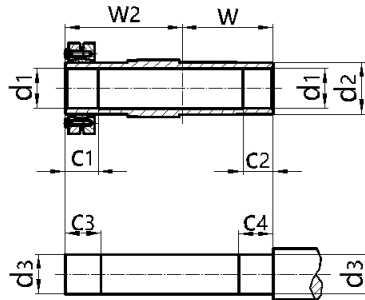


注: 电机需方配或配特殊电机时需加联接法兰 (见附录 D)

Note: When equipping the user's motor or the special one, the flange is required to connected. (Please see appendix D)

注: 直联电机尺寸见附录 A-2 和 A-3

Note: See Appendix A-2 and A-3 for dimensions of direct-connected motors

安装结构尺寸
GSH49-99
Mounting Dimensional Description
GSH49-99

GSH59

GSH79、GSH89、GSH99


机型号 Type Size	q q1	e a4	a6 a5	p3 a7	h h1	f f1	w w1	c1 c2	c3 c4	D D1	d d1	d2 d3	s s1	l3 l4	w2 G	电机尺寸 Motor Size			
																AC	AD	L1	
GSH49	175	94	52	181	100 ^{-0.5}	127	60	31	36	Φ115	Φ80	Φ45	M10	20	86	见附录 A-2 和 A-3 Please see appendix A-2 and A-3			
	96	60	35	67	8	2.5	95	20	25	Φ130	Φ30H7	Φ30h6	M8	14	Φ120				
GSH59	191	100	58.5	191	112 ^{-0.5}	146	75	32	37	Φ102	Φ88	Φ50	M10	20	102				
	107	60	58.5	73	20	3	110	20	25	Φ120	Φ35H7	Φ35h6	M8	15	Φ120				
GSH69	246	130	80.5	238	140 ^{-0.5}	182	84	38	43	Φ130	Φ102	Φ65	M12	25	112				
	135	88	71.5	95.5	22	3.5	120	20	25	Φ155	Φ40H7	Φ40h6	M12	20	Φ160				
GSH79	292	156	85	304	180 ^{-0.5}	204	105	36	41	Φ155	Φ127	Φ80	M16	32	136				
	162	102	85	104	34	4	146	30	35	Φ178	Φ50H7	Φ50h6	M12	21	Φ200				
GSH89	344	194	110	372	225 ^{-0.5}	260	125	40	45	Φ180	Φ157	Φ95	M16	32	165				
	190	118	115	125	37.5	5	176	40	45	Φ215	Φ65H7	Φ65h6	M16	28	Φ250				
GSH99	425	236	113	460	280 ⁻¹	301	145	55	60	Φ220	Φ171	Φ120	M20	37	190				
	240	160	135	140	52	5	204	50	55	Φ260	Φ75H7	Φ75h6	M16	28	Φ300				

注：减速机部分的外形尺寸，未包含通气帽的高度尺寸。通气帽的高度尺寸为 17。

Note: the dimensions don't include the height of the breathe valve. the height of the breathe valve is 17.

注：电机需方配或配特殊电机时需加联接法兰（见附录 D）

Note: When equipping the user's motor or the special one, the flange is required to connected. (Please see appendix D)

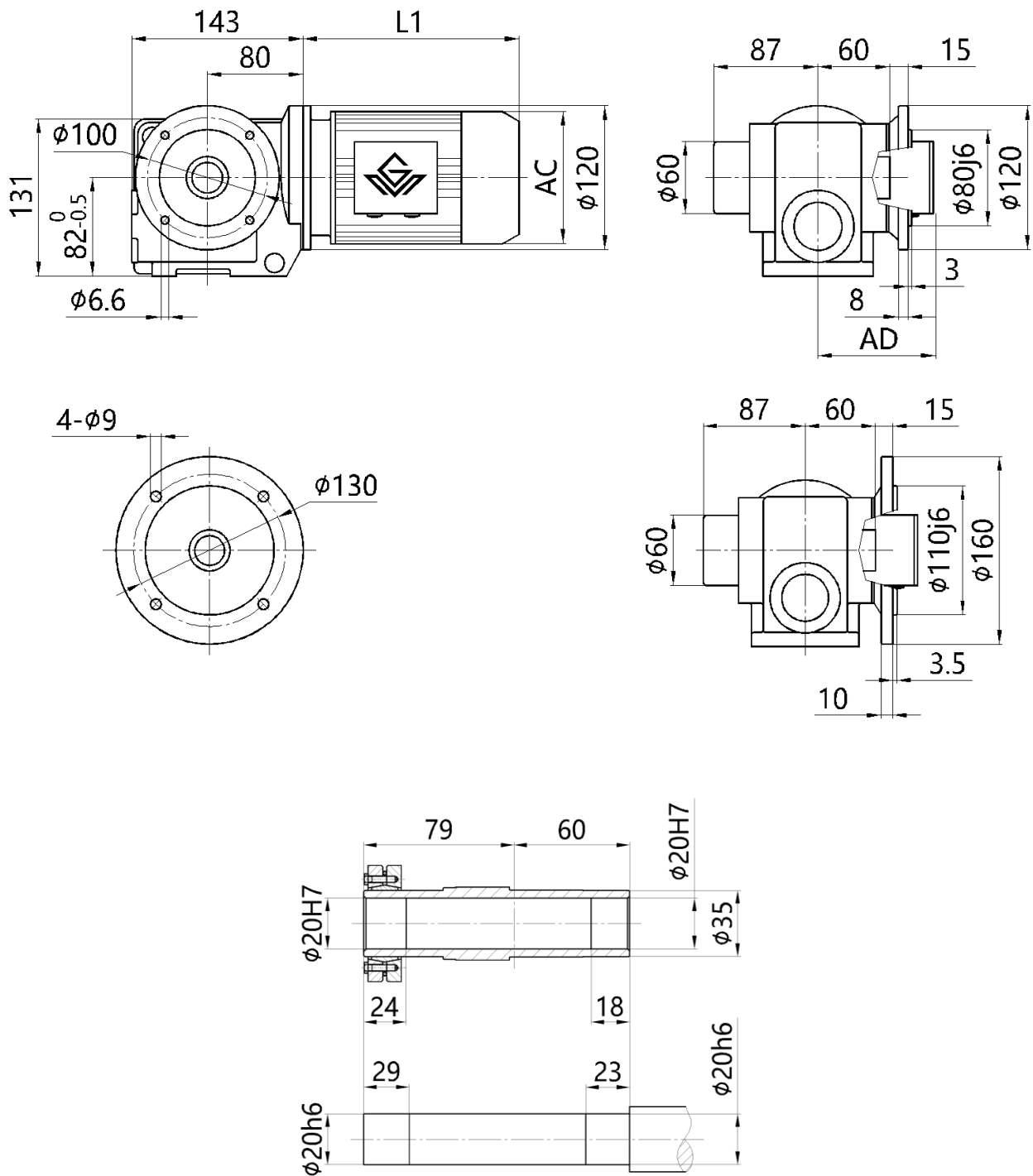
GS 系列斜齿轮-蜗轮蜗杆减速电机

安装结构尺寸

GSHF39

Mounting Dimensional Description

GSHF39



注：电机需方配或配特殊电机时需加联接法兰（见附录 D）

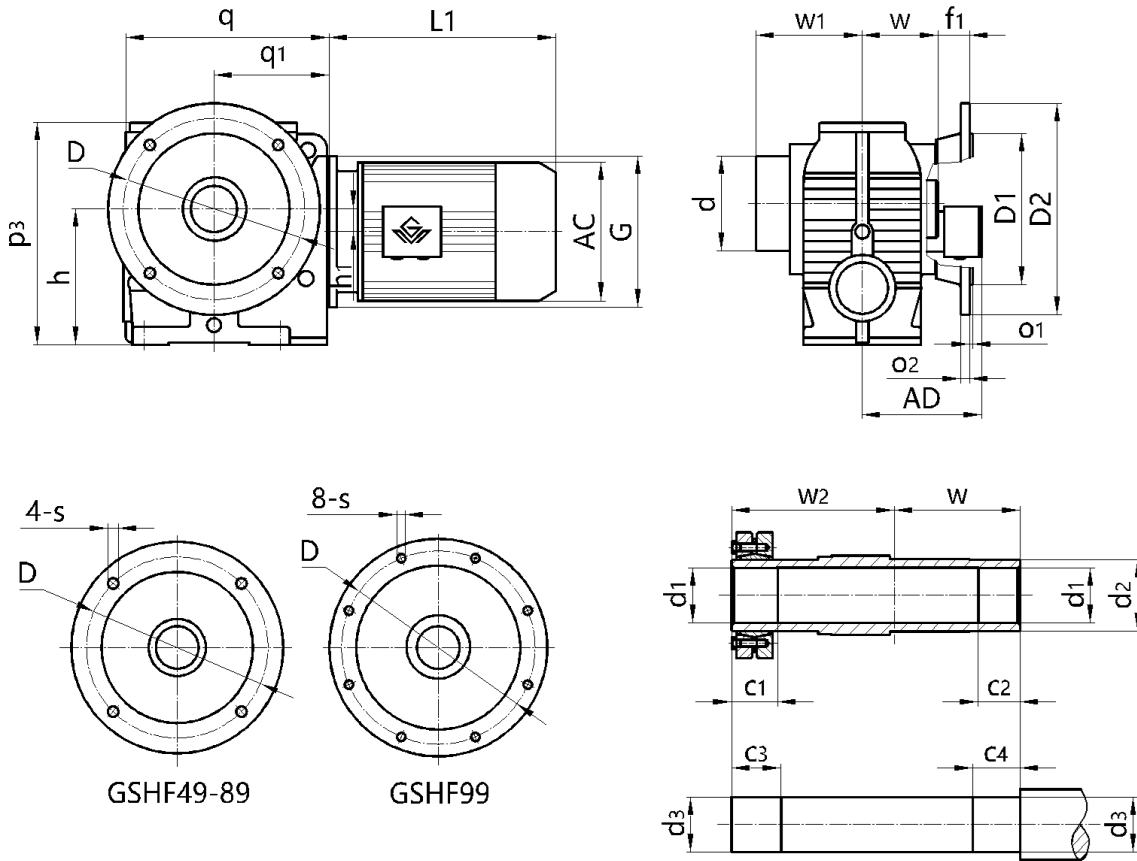
Note: When equipping the user's motor or the special one, the flange is required to be connected. (Please see appendix D)

注：直联电机尺寸见附录 A-2 和 A-3

Note: See Appendix A-2 and A-3 for dimensions of direct-connected motors

安装结构尺寸
GSHF49-99

Mounting Dimensional Description
GSHF49-99



机型号 Type Size	q q1	h h1	s D	o2 o1	D2 D1	w w1	w2 c1	c2 f1	c3 c4	d d1	d2 d3	p3 G	电机尺寸 Motor Size		
													AC	AD	L1
GSHF49	175	100 ^{-0.5}	Φ9	10	Φ160	60	86	20	36	Φ80	Φ45	181	见附录 A-2 和 A-3 Please see appendix A-2 and A-3		
	96	8	Φ130	3.5	Φ110j6	95	31	24	25	Φ30H7	Φ30h6	Φ120			
GSHF59	191	112 ^{-0.5}	Φ11	12	Φ200	75	102	20	37	Φ88	Φ50	191			
	107	20	Φ165	3.5	Φ130j6	110	32	25	25	Φ35H7	Φ35h6	Φ120			
GSHF69	246	140 ^{-0.5}	Φ11	12	Φ200	84	112	20	43	Φ102	Φ65	238			
	135	22	Φ165	3.5	Φ130j6	120	38	42.5	25	Φ40H7	Φ40h6	Φ160			
GSHF79	292	180 ^{-0.5}	Φ13.5	15	Φ250	105	136	30	41	Φ127	Φ80	304			
	162	34	Φ215	4	Φ180j6	146	36	45.5	35	Φ50H7	Φ50h6	Φ200			
GSHF89	344	225 ^{-0.5}	Φ17.5	15	Φ350	125	165	40	45	Φ157	Φ95	372			
	190	37.5	Φ300	5	Φ250h6	176	40	52.5	45	Φ65H7	Φ65h6	Φ250			
GSHF99	425	280 ^{-1.0}	Φ17.5	17	Φ450	145	190	50	60	Φ171	Φ120	460			
	240	52	Φ400	5	Φ350h6	204	55	60	55	Φ75H7	Φ75h6	Φ300			

注：减速机部分的外形尺寸，未包含通气帽的高度尺寸。通气帽的高度尺寸为 17。

Note: the dimensions don't include the height of the breathe valve. the height of the breathe valve is 17.

注：电机需方配或配特殊电机时需加联接法兰（见附录 D）

Note: When equipping the user's motor or the special one, the flange is required to connected. (Please see appendix D)

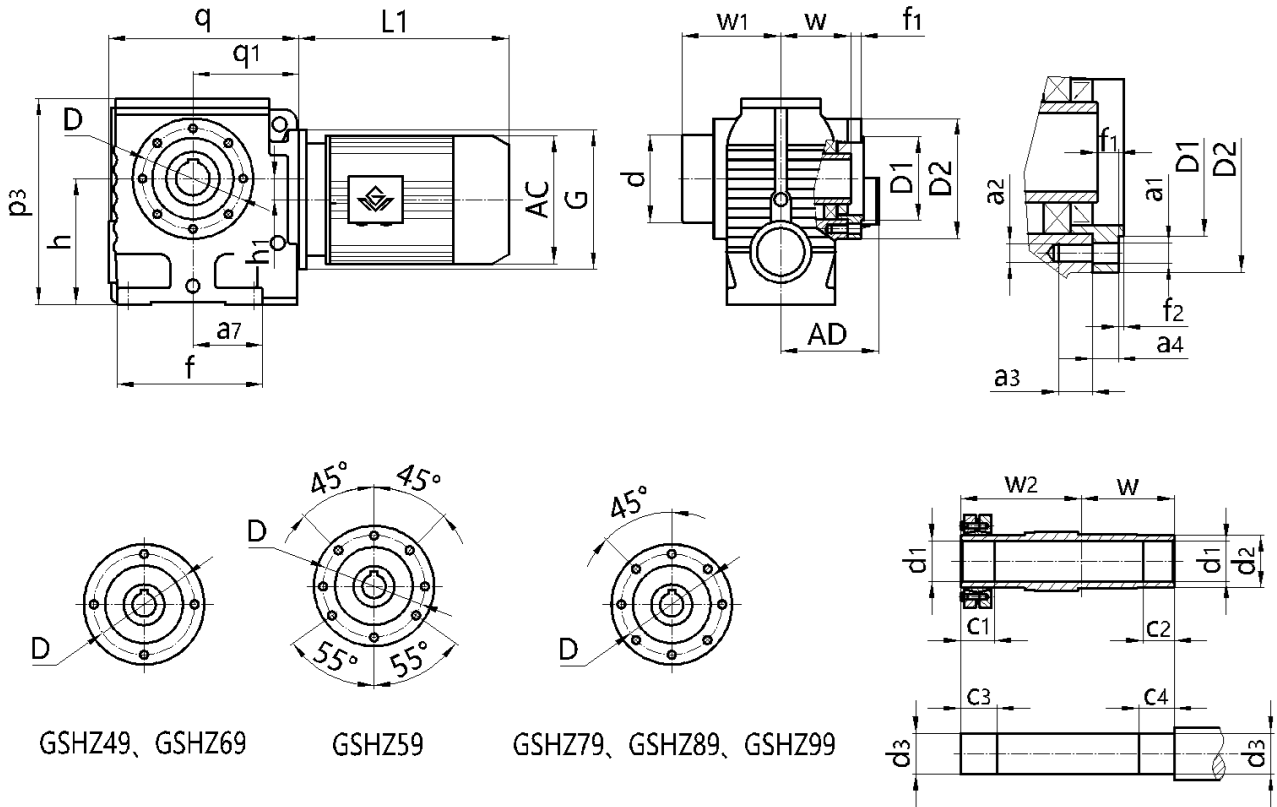
GS 系列斜齿轮-蜗轮蜗杆减速电机

安装结构尺寸

GSHZ49-99

Mounting Dimensional Description

GSHZ49-99



GSHZ49、GSHZ69

GSHZ59

GSHZ79、GSHZ89、GSHZ99

机型号 Type Size	d d ₁	d ₃ d ₂	q q ₁	h h ₁	p ₃ f	a ₇ f ₂	a ₂ f ₁	a ₃ a ₁	a ₄ D	D1 D2	c ₁ c ₂	c ₃ c ₄	w w ₁	w ₂ G	电机尺寸 Motor Size											
															AC	AD	L1									
GSHZ49	Φ80	Φ30h6	175	100 ^{-0.5}	181	67	M8	14	11	Φ95j6	31	36	60	86	见附录 A-2 和 A-3 Please see appendix A-2 and A-3											
	Φ30H7	Φ45	96	8	127	3	8.5	Φ9	Φ115	Φ130	20	25	95	Φ120												
GSHZ59	Φ88	Φ35h6	191	112 ^{-0.5}	191	73	M8	15	11	Φ80j6	32	37	75	102					见附录 A-2 和 A-3 Please see appendix A-2 and A-3							
	Φ35H7	Φ50	107	20	146	3	8	Φ9	Φ102	Φ120	20	25	110	Φ120												
GSHZ69	Φ102	Φ40h6	246	140 ^{-0.5}	238	95.5	M12	20	13	Φ105j6	38	43	84	112									见附录 A-2 和 A-3 Please see appendix A-2 and A-3			
	Φ40H7	Φ65	135	22	182	3.5	9.5	Φ13	Φ130	Φ155	20	25	120	Φ160												
GSHZ79	Φ127	Φ50h6	292	180 ^{-0.5}	304	104	/	/	18.5	Φ125j6	36	41	105	136	见附录 A-2 和 A-3 Please see appendix A-2 and A-3											
	Φ50H7	Φ80	162	34	204	4	14.5	M12	Φ155	Φ178	30	35	146	Φ200												
GSHZ89	Φ157	Φ65h6	344	225 ^{-0.5}	372	125	/	/	23.5	Φ150j6	40	45	125	165					见附录 A-2 和 A-3 Please see appendix A-2 and A-3							
	Φ65H7	Φ95	190	37.5	260	5	18.5	M16	Φ180	Φ215	40	45	176	Φ250												
GSHZ99	Φ171	Φ75h6	425	280 ^{-1.0}	460	140	/	/	23.5	Φ180j6	55	60	145	190									见附录 A-2 和 A-3 Please see appendix A-2 and A-3			
	Φ75H7	Φ120	240	52	301	5	18.5	M16	Φ220	Φ260	50	55	204	Φ300												

注：减速机部分的外形尺寸，未包含通气帽的高度尺寸。通气帽的高度尺寸为 17。

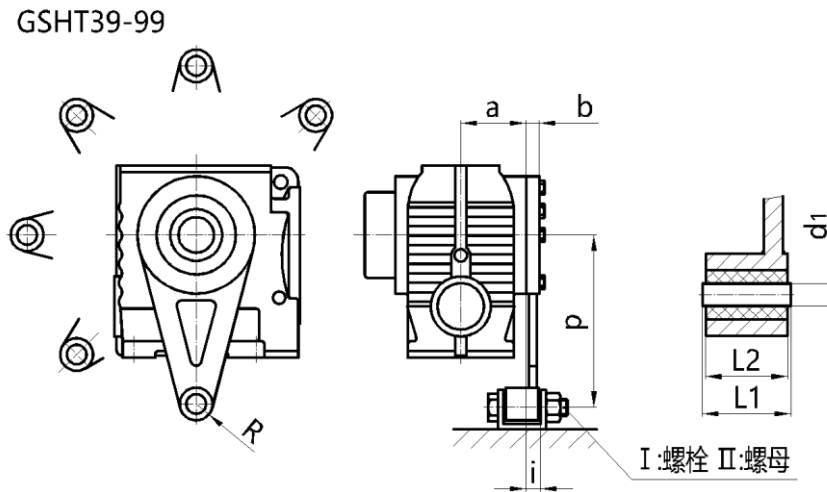
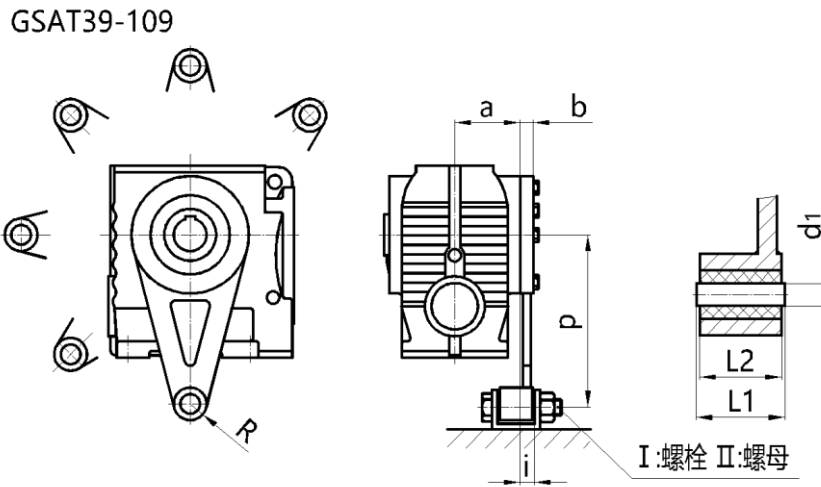
Note: the dimensions don't include the height of the breathe valve. the height of the breathe valve is 17.

注：电机需方配或配特殊电机时需加联接法兰（见附录 D）

Note: When equipping the user's motor or the special one, the flange is required to connected. (Please see appendix D)

安装结构尺寸
GSAT39-109/GSHT39-99

Mounting Dimensional Description
GSAT39-109/GSHT39-99



机型号 Type Size	a	b	i	p	R	d ₁	L1 _{-0.3} ⁰	L2
GSAT39/GSHT39	57	10	26	110	21	10.4 ^{+0.1} _{-0.1}	36	31
GSAT49/GSHT49	57.5	15	20.5	130	21	10.4 ^{+0.1} _{-0.1}	36	31
GSAT59/GSHT59	72	15	18.5	160	21	10.4 ^{+0.1} _{-0.1}	36	31
GSAT69/GSHT69	80.5	18	19.5	200	21	10.4 ^{+0.1} _{-0.1}	36	31
GSAT79/GSHT79	101	18	32.5	250	30	16.4 ^{+0.08} _{-0.08}	60	54
GSAT89/GSHT89	120	24	25.5	310	30	16.4 ^{+0.08} _{-0.08}	60	54
GSAT99/GSHT99	140	26	33	380	40	25 ^{+0.08} _{-0.08}	80	72
GSAT109	162	24	49	430	40	25 ^{+0.08} _{-0.08}	80	74

其它尺寸请按照 GSA/GSH 型。

注：I：螺栓 II：螺母，均用户自配。

For other dimensions, see the type GSA/GSH.

Note: bolts I and nuts II are prepared by customers.

注：电机需方配或配特殊电机时需加联接法兰（见附录 D）

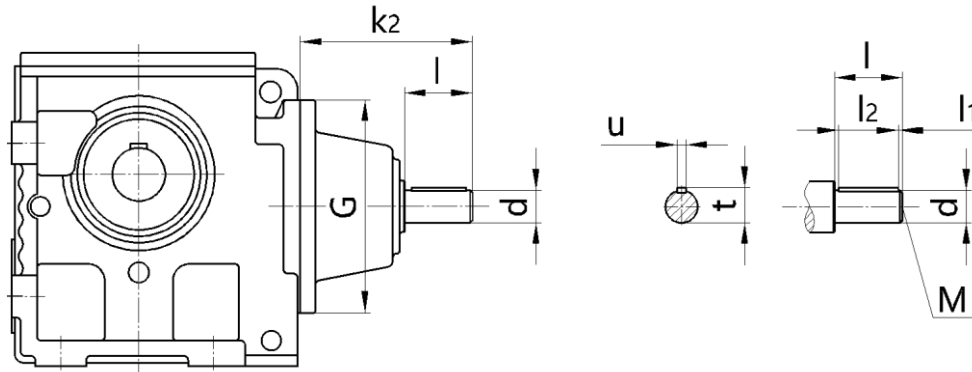
Note: When equipping the user's motor or the special one, the flange is required to connected. (Please see appendix D)

安装结构尺寸

GS..39-109AD1-6

Mounting Dimensional Description

GS..39-109AD1-6



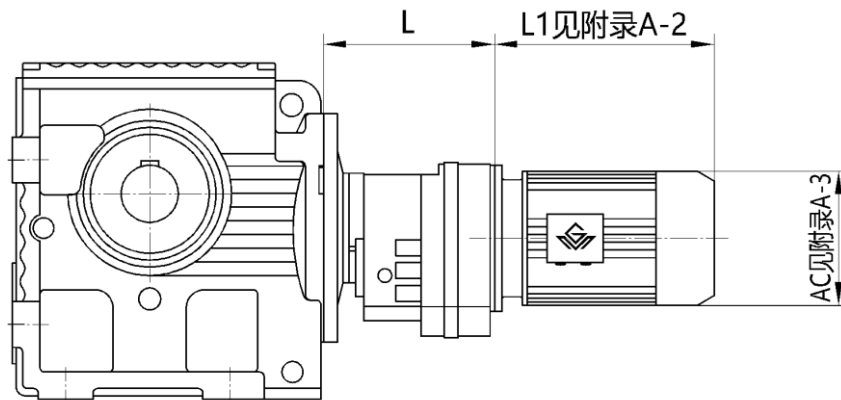
机型号 Type Size	规格 Specification	适用功率范围(kW)/4P Range Power	d	G	k2	l	M	l1	l2	t	u
GS..39/49/59	AD1	0.12-0.18	16k6	Φ120	130	40	M5	4	32	18	5
	AD2	0.25-3	19k6	Φ120	130	40	M6	4	32	21.5	6
GS..69	AD2	0.25-1.5	19k6	Φ160	149	40	M6	4	32	21.5	6
	AD3	2.2-5.5	24k6	Φ160	159	50	M8	5	40	27	8
GS..79	AD2	0.25-1.5	19k6	Φ200	184	40	M6	4	32	21.5	6
	AD3	2.2-4	24k6	Φ200	194	50	M8	5	40	27	8
	AD4	5.5-7.5	38k6	Φ200	224	80	M12	5	70	41	10
GS..89	AD2	0.75-1.5	19k6	Φ250	136	40	M6	4	32	21.5	6
	AD3	2.2-4	28k6	Φ250	156	60	M10	5	50	31	8
	AD4	5.5-7.5	38k6	Φ250	262	80	M12	5	70	41	10
	AD5	11-15	42k6	Φ250	292	110	M16	10	70	45	12
GS..99	AD3	1.5-4	28k6	Φ300	194	60	M10	5	50	31	8
	AD4	5.5-7.5	38k6	Φ300	214	80	M12	5	70	41	10
	AD5	11-22	42k6	Φ300	327	110	M16	10	70	45	12
GS..109	AD3	2.2-4	28k6	Φ350	188	60	M10	5	50	31	8
	AD4	5.5-7.5	38k6	Φ350	208	80	M12	5	70	41	10
	AD5	11-22	42k6	Φ350	321	110	M16	10	70	45	12
	AD6	30	48k6	Φ350	321	110	M16	10	80	51.5	14

其它尺寸请参照 GS 型。

- 注: 1. GSA/GSAF/GSF/GSAZ/GSH/GSHF/GSHZ 均可采用双轴型, 并分别记为 GSA..AD..、GSAF..AD..、GSF..AD..、GSAZ..AD..、GSH..AD..、GSHF..AD..和 GSHZ..AD..。
2. 通过联轴器联接, 可直接参考上表功率范围; 若电机和减速机之间是通过其他极数电机、齿轮、链轮、皮带轮等传动方式联接, 需客户自行转换。

For other dimensions, see the type GS.

- Note: 1. Double shafts type is also available for type GSA/GSAF/GSF/GSAZ/GSH/GSHF/GSHZ, and these double shafts types are respectively named type GSA..AD..、GSAF..AD..、GSF..AD..、GSAZ..AD..、GSH..AD..、GSHF..AD..and GSHZ..AD..。
2. Applicable power refers to the input torque of 4 pole motor. If the connect way is coupling, can see the power range on the table directly, if the connect way is other pole motor, sprocket, belt pulley, need customers to convert by themselves.

安装结构尺寸
GS..R..
Mounting Dimensional Description
GS..R..


机型号 Type Size	机座号 Frame Size	L
GS..39R19	63	135
	71	
	80	
GS..49R19 GS..59R19	63	135
	71	
	80	
GS..69R39	63	163
	71	
	80	
GS..79R39	63	163
	71	
	80	
	90	
GS..89R59	63	216
	71	
	80	
	90	
	100	
GS..99R59	63	216
	71	
	80	
	90	
	100	
	112	
GS..109R79	63	251
	71	
	80	
	90	
	100	
	112	
	132	

注: GSA/GSAF/GSF/GSAZ/GSH/GSHF/GSHZ 均可采用串联组合机型。

Note: Combined type is also available for type GSA/GSAF/GSF/GSAZ/GSH/GSHF/GSHZ.

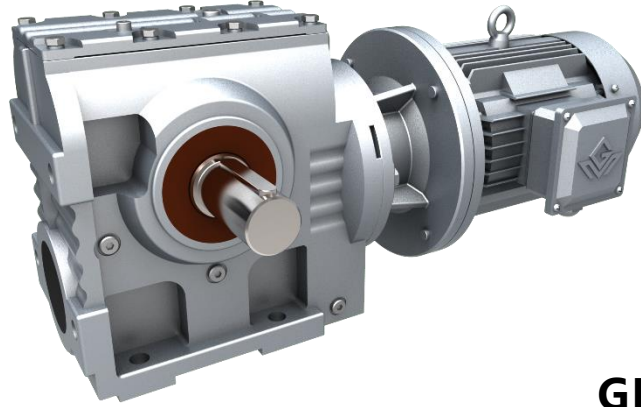
注: 电机需方配或配特殊电机时需加联接法兰 (见附录 D)

Note: When equipping the user's motor or the special one, the flange is required to connected. (Please see appendix D)

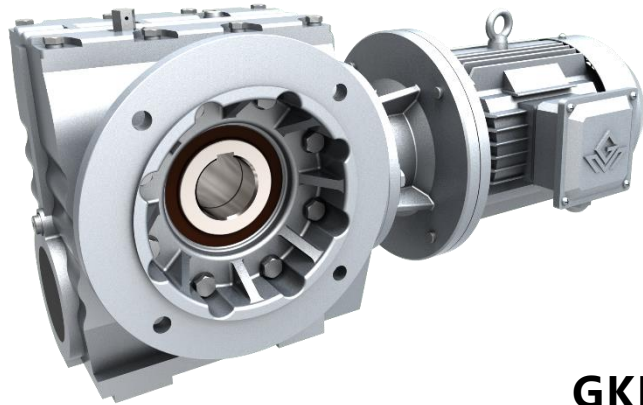
GK Series Helical-Bevel Geared Motors

GK
系列

斜
齿
轮
—
锥
齿
轮
减
速
电
机



GK..



GKF..



GKA/T..

GK 系列

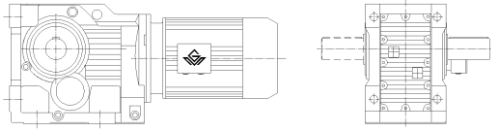
结构形式说明

GK 系列输出轴垂直于输入轴，由二级斜齿轮和一级弧齿锥齿轮构成。

Output shafts of GK series geared motors are vertical to input shafts. Each units consist of two stages helical gears and one stage bevel gears.

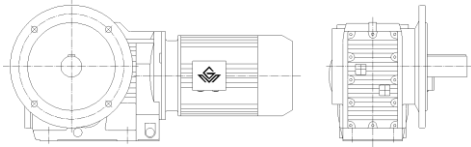
1.GK 型: 底脚安装，输出轴为实心轴。

Type GK: Foot mounted. Solid output shaft.



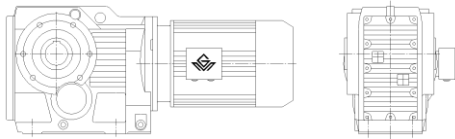
2.GKF 型: B5 法兰安装，输出轴为实心轴。

Type GKF: B5 flange-mounted. Solid output shaft.



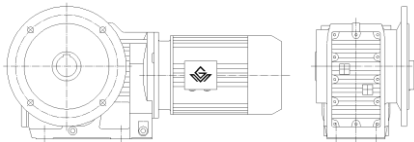
3.GKA 型: 轴装式，输出轴为空心轴。

Type GKA: Shaft mounted. Hollow output shaft.



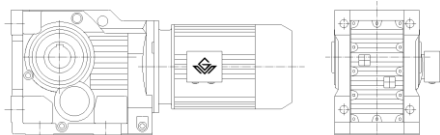
4.GKAF 型: B5 法兰安装，输出轴为空心轴。

Type GKAF: B5 flange-mounted. Hollow output shaft.



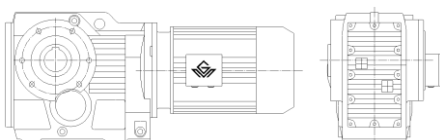
5.GKAB/GKHB 型: 用 GK 型箱体，输出轴为空心轴。

Type GKAB/GKHB: Housings of type GK are used. Hollow output shaft.



6.GKAZ 型: B14 法兰，空心轴安装。

Type GKAZ: B14 flange-mounted version with hollow shaft.

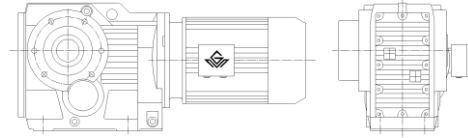


Type of GK Series

Dimensional Description

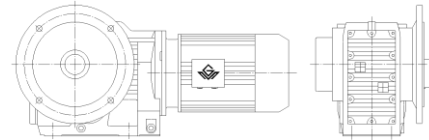
7.GKH 型: 空心轴锁紧盘安装。

Type GKH: Hollow shaft and shrink disk.



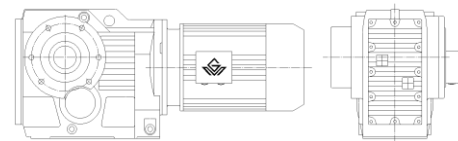
8.GKHF 型: B5 法兰，空心轴锁紧盘安装。

Type GKHF: B5 flange-mounted version with hollow shaft and shrink disk.



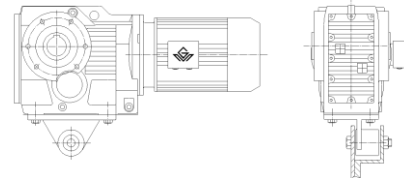
9.GKHZ 型: B14 法兰，空心轴锁紧盘安装。

Type GKHZ: B14 flange-mounted version with hollow shaft and shrink disk.



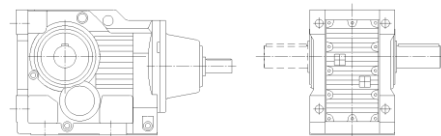
10.GKAT 型/GKHT 型: 防转臂安装

Type GKAT/GKHT: Torque arm mounted.



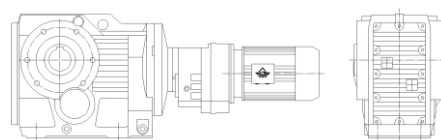
11.GK..AD..型: 输入轴型。

Type GK..AD..: Input shaft types.



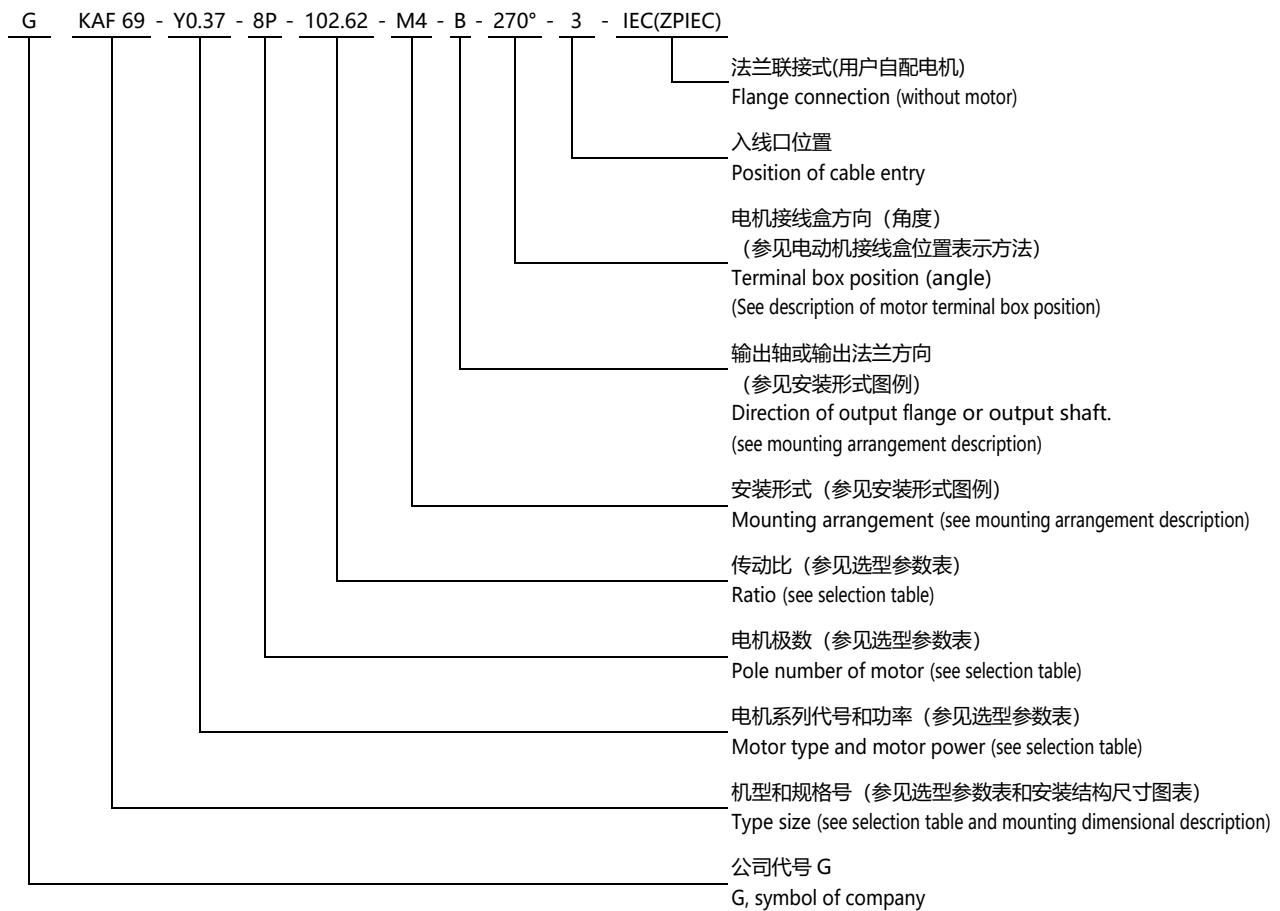
12.GK..R 型: GK 系列和 GR 系列的组合。

Type GK..R: Combined types of type GK and type GR.



型号表示方法

Type Expression of GK Series

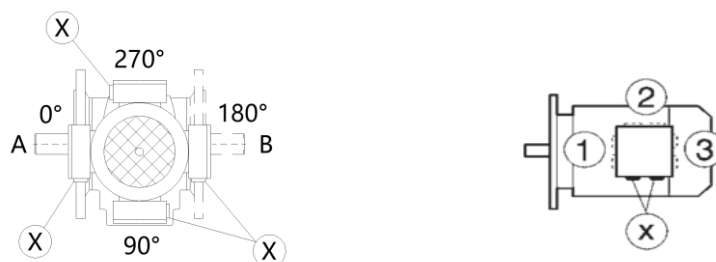


- 注: 1、需带联接法兰时请注明 IEC。
 2、输入轴型没有电动机各项内容。
 3、不注明减速机的安装形式时, 则默认为安装形式中的 M1 位置。不注明接线盒方向时, 则默认为安装形式中的 0 度位置。不注明入线口位置时, 则默认为 X 位置。
 4、对输出轴旋转方向和输入轴旋转方向有特别要求的用户, 请与技术部联系, 并在订货时用简图或文字说明。

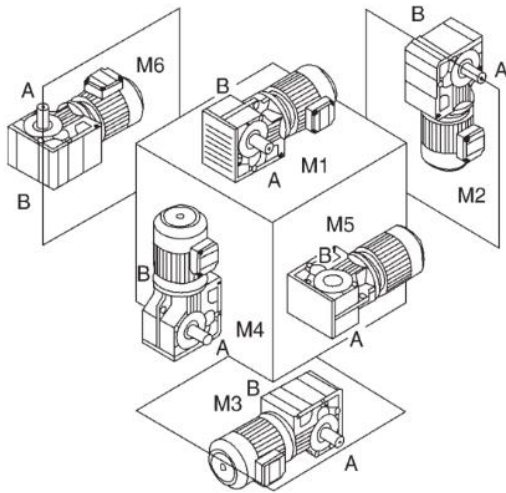
- Note: 1、Please make a note, if it needs connecting flange.
 2、Contents of motors for input shaft types are not listed.
 3、It is M1, When the mounting arrangement of the reducer is not mentioned. Degree=0°, if terminal box position is not mentioned. It is X, if cable entry position is not mentioned.
 4、If specific rotation directions of output shaft or/and input shaft are specially requested, please contact our technology department, and make detailed description while placing order.

电机接线盒位置及入线口位置表示方法

Description of Motor Terminal Box Position and Cable Entry Position



安装形式图例



安装形式定义:

M1-电机水平放置; 减速机底脚朝下。

M2-电机居下。

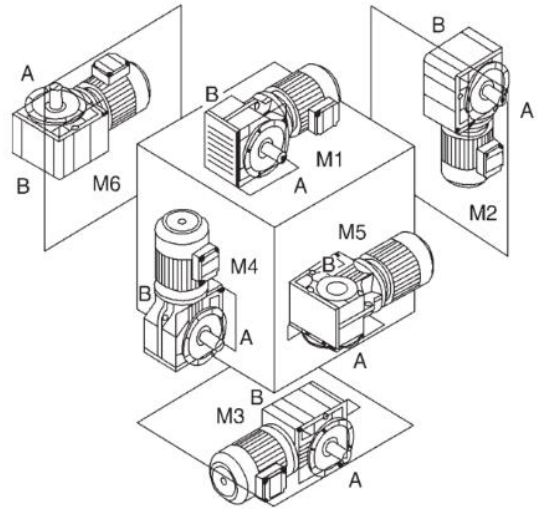
M3-电机水平放置; 减速机底脚朝上。

M4-电机居上。

M5-电机水平放置; 当减速机在 M1 安装位置时, 从电机方向看, 减速机的左面旋转到下方位置。

M6-电机水平放置; 当减速机在 M1 安装位置时, 从电机方向看, 减速机的左面旋转到上方位置。

Mounting Arrangements Description



Mounting arrangements are defined as following:

M1-horizontally mounted motor,unit base is at bottom.

M2-motor is vertically mounted downwards.

M3-horizontally mounted motor,unit base is top.

M4-motor is vertically mounted upwards.

M5-horizontally mounted motor,if placed on M1 position,left side of unit turns to bottom(view point:towards from motor side).

M6-horizontally mounted motor,if placed on M1 position,left side of unit turns to top(view point:towards from motor side).

减速机重量

机型号 Type size	GK39	GK49	GK59	GK69	GK79	GK89	GK99	GK109	GK129	GK159	GK169	GK189
重量(kg) Weight	14	21	28	32	54	93	153	270	403	630	1122	1630

注:重量为平均值, 不包括电机、联接法兰, 仅供参考。

(Note: The weights mean values without the motor and IEC flange, only for reference.)

Gear Unit Weight

选型参数表注释

恒功率 Constant power

n_a [r/min]	M_a [Nm]	i	F_{Ra} [kN]	f_B	机型号 Type size	极数 Pole
↓	↓	↓	↓	↓		
输出转速 Output speed	输出转矩 Output torque	减速比 Ratio	许用径向载荷 Permissible radial load	使用系数 Service factor		

Description of Selection Table

恒转矩 Constant torque

M_{max} [Nm]	n_a [r/min]	i	F_{Ra} [kN]	机型号 Type size	P [kW]/4P
↓	↓	↓	↓		↓
最大输出转矩 Max.output torque	输出转速 Output speed	减速比 ratio	许用径向载荷 Permissible radial load		电机功率 Motor power

选型参数表

Selection Table

(恒功率) 0.12kW

(Constant Power) 0.12kW

n _a [r/min]	M _a [Nm]	i	F _{Ra} [kN]	f _B	机型号 Type size	极数 Pole	n _a [r/min]	M _a [Nm]	i	F _{Ra} [kN]	f _B	机型号 Type size	极数 Pole	
0.12kW							0.12kW							
0.07	13856	17550	76	1.00			1.42	726	920	19	2.25	GK79R39		
0.08	12637	16006	76	1.10			1.61	641	812	19	2.55	GKF79R39	4P	
0.09	11823	14975	77	1.20	GK129R79		1.86	557	706	19	2.95	GKA79R39		
0.11	9822	12440	77	1.40	GKF129R79	4P	2.11	489	620	19	3.35	GKAF79R39		
0.12	8617	10914	78	1.60	GKA129R79		0.97	1067	1351	8.8	0.80			
0.13	7752	9819	78	1.80	GKAF129R79		1.1	925	1171	10	0.95			
0.16	6666	8443	78	2.10			1.3	816	1034	11	1.05			
0.18	5908	7483	78	2.40			1.5	713	903	11	1.20			
0.09	11299	14311	62	0.80			1.7	626	793	12	1.40			
0.11	9641	12211	62	0.90			1.9	550	697	12	1.60	GK69R39	4P	
0.12	8430	10678	62	1.00			2.1	484	613	12	1.80	GKF69R39		
0.14	7519	9524	62	1.15	GK109R79		2.4	428	542	12	2.05	GKA69R39		
0.16	6575	8328	62	1.30	GKF109R79	4P	2.8	372	471	12	2.35	GKAF69R39		
0.18	5739	7269	62	1.45	GKA109R79		3.1	332	420	12	2.60			
0.21	4882	6184	62	1.75	GKAF109R79		3.6	285	361	12	3.05			
0.23	4470	5662	62	1.90			4.1	255	323	12	3.40			
0.25	4057	5138	62	2.10			4.7	220	279	12	3.95			
0.30	3442	4360	62	2.50			5.3	194	246	12	4.50			
0.16	6360	8055	38	0.80			6.0	171	217	12	5.10			
0.19	5502	6969	38	0.85			1.4	715	906	7.4	0.90			
0.22	4758	6027	38	0.95	GK99R59		1.6	636	806	7.8	1.00			
0.24	4257	5392	38	1.05	GKF99R59	4P	1.9	552	699	8.3	1.15			
0.28	3686	4669	38	1.25	GKA99R59		2.1	486	615	8.5	1.30			
0.32	3222	4081	38	1.40	GKAF99R59		2.4	429	544	8.7	1.50	GK59R39	4P	
0.37	2829	3583	38	1.60			2.8	373	473	8.8	1.70	GKF59R39		
0.42	2454	3108	38	1.85			3.1	332	421	8.9	1.90	GKA59R39		
0.48	2176	2756	38	2.10			3.6	286	362	9.0	2.25	GKAF59R39		
0.54	1910	2419	38	2.50			4.1	252	319	9.1	2.55			
0.62	1676	2123	38	2.70	GK99R59	4P	4.7	221	280	9.2	2.90			
0.71	1465	1856	38	3.10	GKF99R59		5.3	194	246	9.3	3.30			
0.81	1283	1625	38	3.55	GKA99R59		6.1	170	215	9.3	3.75			
0.92	1129	1430	38	4.05	GKAF99R59		6.8	152	192	9.4	4.20			
1.04	996	1261	38	4.60			2.1	505	639	2.4	0.85			
1.19	870	1102	38	5.25			2.4	436	552	6.0	0.95	GK49R39	4P	
0.25	4136	5239	25	0.80			2.6	391	495	6.6	1.10	GKF49R39		
0.29	3602	4562	26	0.80	GK89R59		3.1	336	426	6.9	1.25	GKA49R39		
0.32	3187	4037	26	0.90	GKF89R59	4P	3.5	296	375	7.2	1.45	GKAF49R39		
0.36	2849	3609	26	1.00	GKA89R59		4.0	258	327	7.3	1.65			
0.42	2452	3106	27	1.15	GKAF89R59		4.5	228	289	7.4	1.85			
0.48	2154	2728	27	1.35			3.8	273	346	4.6	0.80			
0.55	1872	2371	27	1.55			4.3	240	304	5.4	0.90			
0.63	1648	2087	27	1.75			4.9	211	267	5.5	1.00	GK39R19	4P	
0.71	1464	1854	27	1.95	GK89R59		5.6	185	234	5.8	1.15	GKF39R19		
0.79	1309	1658	27	2.20	GKF89R59	4P	6.4	162	205	5.9	1.30	GKA39R19		
0.93	1117	1415	27	2.55	GKA89R59		7.2	143	181	6.0	1.50	GKAF39R19		
1.07	970	1229	27	2.95	GKAF89R59		8.2	126	160	6.1	1.70			
1.22	851	1078	27	3.35			9.6	107	136	6.2	2.00			
1.38	751	951	28	3.80										
1.57	661	837	28	4.35										
1.80	573	726	28	5.00										
0.48	2136	2706	13	0.80	GK79R39	4P	5.9	185	144.79	12	4.40	GK69	6P*	
0.56	1863	2360	15	0.90	GKF79R39							GKF69		
					GKA79R39						GKA69			
					GKAF79R39						GKAF69			
0.64	1611	2041	16	1.00			5.9	186	145.15	9.2	3.20			
0.74	1393	1764	17	1.15	GK79R39	4P	6.9	159	123.85	9.3	3.80	GK59	6P*	
0.87	1191	1508	17	1.35	GKF79R39		7.8	139	108.29	9.3	4.30	GKF59		
0.95	1091	1382	18	1.50	GKA79R39		8.3	132	102.88	9.3	4.60	GKA59		
1.08	958	1213	18	1.70	GKAF79R39		9.4	116	90.26	9.4	5.20	GKAF59		
1.25	827	1048	18	1.95				11	98	76.56	9.4	6.20		

*0.12kW (6P) 电机需特制。*0.12kW motor of 6 poles needs to be specially requested and then manufactured.

选型参数表
(恒功率) 0.12kW-0.18kW
Selection Table
(Constant Power) 0.12kW-0.18kW

n_a [r/min]	M_a [Nm]	i	F_{Ra} [kN]	f_B	机型号 Type size	极数 Pole	n_a [r/min]	M_a [Nm]	i	F_{Ra} [kN]	f_B	机型号 Type size	极数 Pole																																																																																																																																																																																																																																																																																																																																																																																																																																																																																																																																																																																																																																																																												
0.12kW							0.18kW																																																																																																																																																																																																																																																																																																																																																																																																																																																																																																																																																																																																																																																																																		
9	121	145.15	9.4	5.00	GK59	4P	0.28	5529	4669	38	0.85	GK99R59	4P																																																																																																																																																																																																																																																																																																																																																																																																																																																																																																																																																																																																																																																																												
11	103	123.85	9.4	5.80	GKF59		12	90	108.29	9.5	6.70	GKA59		13	86	102.88	9.5	7.00	GKAF59	15	75	90.26	9.5	8.00		6.4	169	131.87	7.5	2.40	GK49	6P*	0.54	2865	2419	38	1.60	GK99R59 GKF99R59 GKA99R59 GKAF99R59	7.0	156	121.48	7.6	2.60	GKF49	8.1	134	104.37	7.7	3.00	GKA49 GKAF49	9.9	110	131.87	7.7	3.70	GK49	4P	0.62	2514	2123	38	1.80	11	101	121.48	7.8	4.00	GKF49 GKA49 GKAF49	8.0	136	106.38	5.9	1.50	GK39	6P*	0.71	2198	1856	38	2.10	8.7	125	97.81	6.0	1.60	GKF39	10	107	83.69	6.1	1.90	GKA39	12	93	72.54	6.2	2.20	GKAF39	12	88	106.38	6.2	2.30	GK39 GKF39 GKA39 GKAF39	0.81	1924	1625	38	2.35	13	81	97.81	6.2	2.50	0.92	1694	1430	38	2.70	16	70	83.69	6.2	2.90	1.04	1493	1261	38	3.05	18	60	72.54	6.3	3.30	1.19	1305	1102	38	3.50	19	56	67.80	6.3	3.50	1.37	1133	957	38	4.05	22	49	58.60	6.1	4.10	1.53	1013	855	38	4.50	26	41	49.79	5.8	4.80	1.76	880	743	38	5.20	29	37	44.46	5.6	5.40	2.01	771	651	38	5.90	35	32	37.97	5.4	6.30	0.42	3678	3106	25	0.80	37	30	35.57	5.3	6.80	0.48	3231	2728	26	0.90	44	25	29.96	5.0	8.00	0.55	2808	2371	26	1.00	45	24	28.83	4.9	8.40	0.63	2472	2087	26	1.15	52	21	24.99	4.7	9.60	0.71	2196	1854	27	1.30	56	19	23.36	4.6	10	0.79	1964	1658	27	1.45	65	17	20.19	4.4	11	0.93	1676	1415	27	1.70	76	14	17.15	4.2	13	1.1	1455	1229	27	1.95	86	13	15.32	4.1	14	1.2	1277	1078	27	2.25	100	11	13.08	3.9	15	1.4	1126	951	27	2.55	108	10	12.14	3.8	16	1.6	991	837	27	2.90	0.18kW							1.8	860	726	27	3.35	GK89R59 GKF89R59 GKA89R59 GKAF89R59	0.09	17734	14975	70	0.80	0.87	1786	1508	14	0.90	0.11	14732	12440	75	0.95	0.95	1637	1382	15	1.00	0.12	12925	10914	76	1.10	1.1	1437	1213	16	1.15	0.13	11628	9819	76	1.20	1.3	1241	1048	17	1.30	0.16	9999	8443	77	1.40	1.4	1090	920	17	1.50	0.18	8862	7483	77	1.60	1.6	962	812	18	1.70	0.20	7775	6565	78	1.80	1.9	836	706	18	1.95	0.23	6874	5804	78	2.00	2.1	734	620	18	2.25	0.26	5953	5027	78	2.35	2.4	651	550	19	2.50	0.30	5238	4423	78	2.70	2.7	572	483	19	2.85	0.34	4606	3889	78	3.00	3.1	505	426	19	3.25	0.40	3921	3311	78	3.55	3.6	433	366	19	3.75	0.16	9863	8328	62	0.85	1.5	1069	903	5.4	0.80	GK79R39 GKF79R39 GKA79R39 GKAF79R39	0.18	8608	7269	62	1.00	1.7	939	793	9.1	0.95	0.21	7324	6184	62	1.15	1.9	825	697	10	1.05	0.23	6705	5662	62	1.25	2.1	726	613	11	1.20	0.25	6085	5138	62	1.40	2.4	642	542	11	1.35	0.30	5163	4360	62	1.65	2.8	558	471	12	1.55	0.34	4513	3811	62	1.90	3.1	497	420	12	1.75	0.39	3977	3358	62	2.15	3.6	428	361	12	2.05	0.44	3526	2977	62	2.40	4.1	383	323	12	2.25	0.50	3077	2598	62	2.75	4.7	330	279	12	2.65	0.57	2707	2286	62	3.15	2.1	728	615	5.3	0.90	GK69R39 GKF69R39 GKA69R39 GKAF69R39	0.18kW							2.4	644	544	7.4	1.00	0.16	9863	8328	62	0.85	2.8	560	473	7.9	1.15	0.18	8608	7269	62	1.00	3.1	499	421	8.2	1.30	0.21	7324	6184	62	1.15	3.6	429	362	8.5	1.50	0.23	6705	5662	62	1.25	4.1	378	319	8.6	1.70	0.25	6085	5138	62	1.40	4.7	332	280	8.8	1.90	0.30	5163	4360	62	1.65	5.3	291	246	8.9	2.20	0.34	4513	3811	62	1.90	6.1	255	215	9.1	2.50	0.39	3977	3358	62	2.15								0.44	3526	2977	62	2.40								0.50	3077	2598	62	2.75								0.57	2707	2286	62	3.15								
12	90	108.29	9.5	6.70	GKA59		13	86	102.88	9.5	7.00	GKAF59		15	75	90.26	9.5	8.00		6.4	169	131.87	7.5	2.40	GK49	6P*	0.54	2865	2419	38	1.60		GK99R59 GKF99R59 GKA99R59 GKAF99R59	7.0	156	121.48	7.6		2.60	GKF49	8.1	134	104.37	7.7	3.00	GKA49 GKAF49	9.9	110	131.87	7.7	3.70	GK49	4P	0.62	2514	2123		38	1.80	11	101	121.48	7.8	4.00	GKF49 GKA49 GKAF49	8.0	136	106.38	5.9	1.50	GK39	6P*	0.71	2198		1856	38	2.10	8.7	125	97.81	6.0	1.60	GKF39	10	107	83.69	6.1	1.90	GKA39	12	93	72.54	6.2	2.20	GKAF39	12	88	106.38	6.2	2.30	GK39 GKF39 GKA39 GKAF39	0.81		1924	1625	38	2.35	13	81	97.81	6.2	2.50	0.92	1694	1430	38	2.70	16	70	83.69	6.2	2.90	1.04	1493	1261	38	3.05	18	60	72.54	6.3	3.30	1.19	1305	1102	38	3.50	19	56	67.80	6.3	3.50	1.37	1133	957	38	4.05	22	49	58.60	6.1	4.10	1.53	1013	855	38	4.50	26	41	49.79	5.8	4.80	1.76	880	743	38	5.20	29	37	44.46	5.6	5.40	2.01	771	651	38	5.90	35	32	37.97	5.4	6.30	0.42	3678	3106	25	0.80	37	30	35.57	5.3	6.80	0.48	3231	2728	26	0.90	44	25	29.96	5.0	8.00	0.55	2808	2371	26	1.00	45	24	28.83	4.9	8.40	0.63	2472	2087	26	1.15	52	21	24.99	4.7	9.60	0.71	2196	1854	27	1.30	56	19	23.36	4.6	10	0.79	1964	1658	27	1.45	65	17	20.19	4.4	11	0.93	1676	1415	27	1.70	76	14	17.15	4.2	13	1.1	1455	1229	27	1.95	86	13	15.32	4.1	14	1.2	1277	1078	27	2.25	100	11	13.08	3.9	15	1.4	1126	951	27	2.55	108	10	12.14	3.8	16	1.6	991	837	27	2.90	0.18kW							1.8	860	726	27	3.35	GK89R59 GKF89R59 GKA89R59 GKAF89R59		0.09	17734	14975	70	0.80	0.87	1786	1508	14	0.90	0.11	14732	12440	75	0.95	0.95	1637	1382	15	1.00	0.12	12925	10914	76	1.10	1.1	1437	1213	16	1.15	0.13	11628	9819	76	1.20	1.3	1241	1048	17	1.30	0.16	9999	8443	77	1.40	1.4	1090	920	17	1.50	0.18	8862	7483	77	1.60	1.6	962	812	18	1.70	0.20	7775	6565	78	1.80	1.9	836	706	18	1.95	0.23	6874	5804	78	2.00	2.1	734	620	18	2.25	0.26	5953	5027	78	2.35	2.4	651	550	19	2.50	0.30	5238	4423	78	2.70	2.7	572	483	19	2.85	0.34	4606	3889	78	3.00	3.1	505	426	19	3.25	0.40	3921	3311	78	3.55	3.6	433	366	19	3.75	0.16	9863	8328	62	0.85	1.5	1069	903	5.4	0.80		GK79R39 GKF79R39 GKA79R39 GKAF79R39	0.18	8608	7269	62	1.00	1.7	939	793	9.1	0.95	0.21	7324	6184	62	1.15	1.9	825	697	10	1.05	0.23	6705	5662	62	1.25	2.1	726	613	11	1.20	0.25	6085	5138	62	1.40	2.4	642	542	11	1.35	0.30	5163	4360	62	1.65	2.8	558	471	12	1.55	0.34	4513	3811	62	1.90	3.1	497	420	12	1.75	0.39	3977	3358	62	2.15	3.6	428	361	12	2.05	0.44	3526	2977	62	2.40	4.1	383	323	12	2.25	0.50	3077	2598	62	2.75	4.7	330	279	12	2.65	0.57	2707	2286	62	3.15	2.1	728	615	5.3		0.90	GK69R39 GKF69R39 GKA69R39 GKAF69R39	0.18kW							2.4	644	544	7.4	1.00	0.16	9863	8328	62	0.85	2.8	560	473	7.9	1.15	0.18	8608	7269	62	1.00	3.1	499	421	8.2	1.30	0.21	7324	6184	62	1.15	3.6	429	362	8.5	1.50	0.23	6705	5662	62	1.25	4.1	378	319	8.6	1.70	0.25	6085	5138	62	1.40	4.7	332	280	8.8	1.90	0.30	5163	4360	62	1.65	5.3	291	246	8.9	2.20	0.34	4513	3811	62	1.90	6.1	255	215	9.1	2.50	0.39	3977	3358	62	2.15								0.44	3526	2977	62	2.40								0.50	3077	2598	62	2.75								0.57	2707	2286	62	3.15						
13	86	102.88	9.5	7.00	GKAF59		15	75	90.26	9.5	8.00			6.4	169	131.87	7.5	2.40	GK49	6P*	0.54	2865	2419	38	1.60		GK99R59 GKF99R59 GKA99R59 GKAF99R59	7.0	156	121.48	7.6			2.60	GKF49	8.1	134		104.37	7.7	3.00	GKA49 GKAF49	9.9	110	131.87	7.7	3.70	GK49	4P	0.62	2514	2123		38	1.80	11	101	121.48	7.8	4.00	GKF49 GKA49 GKAF49	8.0	136	106.38	5.9	1.50	GK39	6P*	0.71	2198	1856		38	2.10		8.7	125	97.81	6.0	1.60	GKF39	10	107	83.69	6.1	1.90	GKA39	12	93	72.54	6.2	2.20	GKAF39	12	88	106.38	6.2	2.30	GK39 GKF39 GKA39 GKAF39	0.81	1924		1625		38	2.35	13	81	97.81	6.2	2.50	0.92	1694	1430	38	2.70	16	70	83.69	6.2	2.90	1.04	1493	1261	38	3.05	18	60	72.54	6.3	3.30	1.19	1305	1102	38	3.50	19	56	67.80	6.3	3.50	1.37	1133	957	38	4.05	22	49	58.60	6.1	4.10	1.53	1013	855	38	4.50	26	41	49.79	5.8	4.80	1.76	880	743	38	5.20	29	37	44.46	5.6	5.40	2.01	771	651	38	5.90	35	32	37.97	5.4	6.30	0.42	3678	3106	25	0.80	37	30	35.57	5.3	6.80	0.48	3231	2728	26	0.90	44	25	29.96	5.0	8.00	0.55	2808	2371	26	1.00	45	24	28.83	4.9	8.40	0.63	2472	2087	26	1.15	52	21	24.99	4.7	9.60	0.71	2196	1854	27	1.30	56	19	23.36	4.6	10	0.79	1964	1658	27	1.45	65	17	20.19	4.4	11	0.93	1676	1415	27	1.70	76	14	17.15	4.2	13	1.1	1455	1229	27	1.95	86	13	15.32	4.1	14	1.2	1277	1078	27	2.25	100	11	13.08	3.9	15	1.4	1126	951	27	2.55	108	10	12.14	3.8	16	1.6	991	837	27	2.90	0.18kW							1.8	860	726	27	3.35	GK89R59 GKF89R59 GKA89R59 GKAF89R59	0.09			17734	14975	70	0.80	0.87	1786	1508	14	0.90	0.11	14732	12440	75	0.95	0.95	1637	1382	15	1.00	0.12	12925	10914	76	1.10	1.1	1437	1213	16	1.15	0.13	11628	9819	76	1.20	1.3	1241	1048	17	1.30	0.16	9999	8443	77	1.40	1.4	1090	920	17	1.50	0.18	8862	7483	77	1.60	1.6	962	812	18	1.70	0.20	7775	6565	78	1.80	1.9	836	706	18	1.95	0.23	6874	5804	78	2.00	2.1	734	620	18	2.25	0.26	5953	5027	78	2.35	2.4	651	550	19	2.50	0.30	5238	4423	78	2.70	2.7	572	483	19	2.85	0.34	4606	3889	78	3.00	3.1	505	426	19	3.25	0.40	3921	3311	78	3.55	3.6	433	366	19	3.75	0.16	9863	8328	62	0.85	1.5	1069	903	5.4	0.80	GK79R39 GKF79R39 GKA79R39 GKAF79R39			0.18	8608	7269	62	1.00	1.7	939	793	9.1	0.95	0.21	7324	6184	62	1.15	1.9	825	697	10	1.05	0.23	6705	5662	62	1.25	2.1	726	613	11	1.20	0.25	6085	5138	62	1.40	2.4	642	542	11	1.35	0.30	5163	4360	62	1.65	2.8	558	471	12	1.55	0.34	4513	3811	62	1.90	3.1	497	420	12	1.75	0.39	3977	3358	62	2.15	3.6	428	361	12	2.05	0.44	3526	2977	62	2.40	4.1	383	323	12	2.25	0.50	3077	2598	62	2.75	4.7	330	279	12	2.65	0.57	2707	2286	62	3.15	2.1	728	615	5.3		0.90		GK69R39 GKF69R39 GKA69R39 GKAF69R39	0.18kW							2.4	644	544	7.4	1.00	0.16	9863	8328	62	0.85	2.8	560	473	7.9	1.15	0.18	8608	7269	62	1.00	3.1	499	421	8.2	1.30	0.21	7324	6184	62	1.15	3.6	429	362	8.5	1.50	0.23	6705	5662	62	1.25	4.1	378	319	8.6	1.70	0.25	6085	5138	62	1.40	4.7	332	280	8.8	1.90	0.30	5163	4360	62	1.65	5.3	291	246	8.9	2.20	0.34	4513	3811	62	1.90	6.1	255	215	9.1	2.50	0.39	3977	3358	62	2.15								0.44	3526	2977	62	2.40								0.50	3077	2598	62	2.75								0.57	2707	2286	62	3.15					
15	75	90.26	9.5	8.00			6.4	169	131.87	7.5	2.40	GK49		6P*	0.54	2865	2419	38	1.60		GK99R59 GKF99R59 GKA99R59 GKAF99R59	7.0	156	121.48	7.6			2.60	GKF49	8.1	134	104.37		7.7	3.00	GKA49 GKAF49	9.9		110	131.87	7.7	3.70	GK49	4P	0.62	2514	2123	38		1.80	11	101	121.48	7.8	4.00	GKF49 GKA49 GKAF49	8.0	136	106.38	5.9	1.50	GK39	6P*	0.71	2198	1856	38		2.10	8.7	125		97.81	6.0		1.60	GKF39	10	107	83.69	6.1	1.90	GKA39	12	93	72.54	6.2	2.20	GKAF39	12	88	106.38	6.2	2.30	GK39 GKF39 GKA39 GKAF39	0.81	1924	1625		38	2.35		13		81	97.81	6.2	2.50	0.92	1694	1430	38	2.70	16	70	83.69	6.2	2.90	1.04	1493	1261	38	3.05	18	60	72.54	6.3	3.30	1.19	1305	1102	38	3.50	19	56	67.80	6.3	3.50	1.37	1133	957	38	4.05	22	49	58.60	6.1	4.10	1.53	1013	855	38	4.50	26	41	49.79	5.8	4.80	1.76	880	743	38	5.20	29	37	44.46	5.6	5.40	2.01	771	651	38	5.90	35	32	37.97	5.4	6.30	0.42	3678	3106	25	0.80	37	30	35.57	5.3	6.80	0.48	3231	2728	26	0.90	44	25	29.96	5.0	8.00	0.55	2808	2371	26	1.00	45	24	28.83	4.9	8.40	0.63	2472	2087	26	1.15	52	21	24.99	4.7	9.60	0.71	2196	1854	27	1.30	56	19	23.36	4.6	10	0.79	1964	1658	27	1.45	65	17	20.19	4.4	11	0.93	1676	1415	27	1.70	76	14	17.15	4.2	13	1.1	1455	1229	27	1.95	86	13	15.32	4.1	14	1.2	1277	1078	27	2.25	100	11	13.08	3.9	15	1.4	1126	951	27	2.55	108	10	12.14	3.8	16	1.6	991	837	27	2.90	0.18kW							1.8	860	726	27	3.35	GK89R59 GKF89R59 GKA89R59 GKAF89R59	0.09	17734		14975			70	0.80	0.87	1786	1508	14	0.90	0.11	14732	12440	75	0.95	0.95	1637	1382	15	1.00	0.12	12925	10914	76	1.10	1.1	1437	1213	16	1.15	0.13	11628	9819	76	1.20	1.3	1241	1048	17	1.30	0.16	9999	8443	77	1.40	1.4	1090	920	17	1.50	0.18	8862	7483	77	1.60	1.6	962	812	18	1.70	0.20	7775	6565	78	1.80	1.9	836	706	18	1.95	0.23	6874	5804	78	2.00	2.1	734	620	18	2.25	0.26	5953	5027	78	2.35	2.4	651	550	19	2.50	0.30	5238	4423	78	2.70	2.7	572	483	19	2.85	0.34	4606	3889	78	3.00	3.1	505	426	19	3.25	0.40	3921	3311	78	3.55	3.6	433	366	19	3.75	0.16	9863	8328	62	0.85	1.5	1069	903	5.4	0.80	GK79R39 GKF79R39 GKA79R39 GKAF79R39	0.18				8608	7269	62	1.00	1.7	939	793	9.1	0.95	0.21	7324	6184	62	1.15	1.9	825	697	10	1.05	0.23	6705	5662	62	1.25	2.1	726	613	11	1.20	0.25	6085	5138	62	1.40	2.4	642	542	11	1.35	0.30	5163	4360	62	1.65	2.8	558	471	12	1.55	0.34	4513	3811	62	1.90	3.1	497	420	12	1.75	0.39	3977	3358	62	2.15	3.6	428	361	12	2.05	0.44	3526	2977	62	2.40	4.1	383	323	12	2.25	0.50	3077	2598	62	2.75	4.7	330	279	12	2.65	0.57	2707	2286	62	3.15	2.1	728	615	5.3	0.90		GK69R39 GKF69R39 GKA69R39 GKAF69R39			0.18kW							2.4	644	544	7.4	1.00	0.16	9863	8328	62	0.85	2.8	560	473	7.9	1.15	0.18	8608	7269	62	1.00	3.1	499	421	8.2	1.30	0.21	7324	6184	62	1.15	3.6	429	362	8.5	1.50	0.23	6705	5662	62	1.25	4.1	378	319	8.6	1.70	0.25	6085	5138	62	1.40	4.7	332	280	8.8	1.90	0.30	5163	4360	62	1.65	5.3	291	246	8.9	2.20	0.34	4513	3811	62	1.90	6.1	255	215	9.1	2.50	0.39	3977	3358	62	2.15								0.44	3526	2977	62	2.40								0.50	3077	2598	62	2.75								0.57	2707	2286	62	3.15					
6.4	169	131.87	7.5	2.40	GK49	6P*	0.54	2865	2419	38	1.60	GK99R59 GKF99R59 GKA99R59 GKAF99R59																																																																																																																																																																																																																																																																																																																																																																																																																																																																																																																																																																																																																																																																													
7.0	156	121.48	7.6	2.60	GKF49		8.1	134	104.37	7.7	3.00		GKA49 GKAF49		9.9	110	131.87	7.7	3.70	GK49		4P	0.62	2514	2123	38		1.80	11	101	121.48	7.8		4.00	GKF49 GKA49 GKAF49	8.0	136		106.38	5.9	1.50	GK39	6P*	0.71	2198	1856	38	2.10	8.7	125	97.81	6.0	1.60	GKF39	10	107	83.69	6.1	1.90	GKA39	12	93		72.54	6.2	2.20	GKAF39		12	88	106.38		6.2	2.30	GK39 GKF39 GKA39 GKAF39	0.81	1924	1625	38	2.35	13	81	97.81	6.2	2.50	0.92	1694	1430	38	2.70	16	70	83.69	6.2		2.90	1.04	1493		1261	38		3.05		18	60	72.54	6.3	3.30	1.19	1305	1102	38	3.50	19	56	67.80	6.3	3.50	1.37	1133	957	38	4.05	22	49	58.60	6.1	4.10	1.53	1013	855	38	4.50	26	41	49.79	5.8	4.80	1.76	880	743	38	5.20	29	37	44.46	5.6	5.40	2.01	771	651	38	5.90	35	32	37.97	5.4	6.30	0.42	3678	3106	25	0.80	37	30	35.57	5.3	6.80	0.48	3231	2728	26	0.90	44	25	29.96	5.0	8.00	0.55	2808	2371	26	1.00	45	24	28.83	4.9	8.40	0.63	2472	2087	26	1.15	52	21	24.99	4.7	9.60	0.71	2196	1854	27	1.30	56	19	23.36	4.6	10	0.79	1964	1658	27	1.45	65	17	20.19	4.4	11	0.93	1676	1415	27	1.70	76	14	17.15	4.2	13	1.1	1455	1229	27	1.95	86	13	15.32	4.1	14	1.2	1277	1078	27	2.25	100	11	13.08	3.9	15	1.4	1126	951	27	2.55	108	10	12.14	3.8	16	1.6	991	837	27	2.90	0.18kW							1.8	860	726	27	3.35	GK89R59 GKF89R59 GKA89R59 GKAF89R59	0.09	17734	14975	70	0.80	0.87	1786	1508	14	0.90	0.11	14732	12440	75	0.95	0.95	1637	1382		15	1.00		0.12			12925	10914	76	1.10	1.1	1437	1213	16	1.15	0.13	11628	9819	76	1.20	1.3	1241	1048	17	1.30	0.16	9999	8443	77	1.40	1.4	1090	920	17	1.50	0.18	8862	7483	77	1.60	1.6	962	812	18	1.70	0.20	7775	6565	78	1.80	1.9	836	706	18	1.95	0.23	6874	5804	78	2.00	2.1	734	620	18	2.25	0.26	5953	5027	78	2.35	2.4	651	550	19	2.50	0.30	5238	4423	78	2.70	2.7	572	483	19	2.85	0.34	4606	3889	78	3.00	3.1	505	426	19	3.25	0.40	3921	3311	78	3.55	3.6	433	366	19	3.75	0.16	9863	8328	62	0.85	1.5	1069	903	5.4	0.80	GK79R39 GKF79R39 GKA79R39 GKAF79R39	0.18	8608	7269	62	1.00	1.7	939	793	9.1	0.95	0.21	7324	6184	62	1.15	1.9	825		697				10	1.05	0.23	6705	5662	62	1.25	2.1	726	613	11	1.20	0.25	6085	5138	62	1.40	2.4	642	542	11	1.35	0.30	5163	4360	62	1.65	2.8	558	471	12	1.55	0.34	4513	3811	62	1.90	3.1	497	420	12	1.75	0.39	3977	3358	62	2.15	3.6	428	361	12	2.05	0.44	3526	2977	62	2.40	4.1	383	323	12	2.25	0.50	3077	2598	62	2.75	4.7	330	279	12	2.65	0.57	2707	2286	62	3.15	2.1	728	615	5.3	0.90	GK69R39 GKF69R39 GKA69R39 GKAF69R39	0.18kW							2.4	644	544	7.4	1.00	0.16	9863	8328	62					0.85	2.8	560	473	7.9	1.15	0.18	8608	7269	62	1.00	3.1	499	421	8.2	1.30	0.21	7324	6184	62	1.15	3.6	429	362	8.5	1.50	0.23	6705	5662	62	1.25	4.1	378	319	8.6	1.70	0.25	6085	5138	62	1.40	4.7	332	280	8.8	1.90	0.30	5163	4360	62	1.65	5.3	291	246	8.9	2.20	0.34	4513	3811	62	1.90	6.1	255	215	9.1	2.50	0.39	3977	3358	62	2.15								0.44	3526	2977	62	2.40								0.50	3077	2598	62	2.75								0.57	2707	2286	62	3.15																					
8.1	134	104.37	7.7	3.00	GKA49 GKAF49		9.9	110	131.87	7.7	3.70		GK49	4P	0.62	2514	2123	38	1.80	11			101	121.48	7.8	4.00		GKF49 GKA49 GKAF49	8.0	136	106.38	5.9		1.50	GK39	6P*	0.71		2198	1856	38	2.10		8.7	125	97.81	6.0	1.60	GKF39	10	107	83.69	6.1	1.90	GKA39	12	93	72.54	6.2	2.20	GKAF39	12		88	106.38	6.2	2.30		GK39 GKF39 GKA39 GKAF39	0.81	1924	1625	38	2.35		13	81	97.81	6.2	2.50	0.92	1694	1430	38	2.70	16	70	83.69	6.2	2.90	1.04	1493	1261	38		3.05	18	60		72.54	6.3		3.30		1.19	1305	1102	38	3.50	19	56	67.80	6.3	3.50	1.37	1133	957	38	4.05	22	49	58.60	6.1	4.10	1.53	1013	855	38	4.50	26	41	49.79	5.8	4.80	1.76	880	743	38	5.20	29	37	44.46	5.6	5.40	2.01	771	651	38	5.90	35	32	37.97	5.4	6.30	0.42	3678	3106	25	0.80	37	30	35.57	5.3	6.80	0.48	3231	2728	26	0.90	44	25	29.96	5.0	8.00	0.55	2808	2371	26	1.00	45	24	28.83	4.9	8.40	0.63	2472	2087	26	1.15	52	21	24.99	4.7	9.60	0.71	2196	1854	27	1.30	56	19	23.36	4.6	10	0.79	1964	1658	27	1.45	65	17	20.19	4.4	11	0.93	1676	1415	27	1.70	76	14	17.15	4.2	13	1.1	1455	1229	27	1.95	86	13	15.32	4.1	14	1.2	1277	1078	27	2.25	100	11	13.08	3.9	15	1.4	1126	951	27	2.55	108	10	12.14	3.8	16	1.6	991	837	27	2.90	0.18kW							1.8	860	726	27	3.35	GK89R59 GKF89R59 GKA89R59 GKAF89R59	0.09	17734	14975	70		0.80	0.87	1786	1508	14	0.90	0.11	14732	12440	75	0.95	0.95	1637	1382	15	1.00	0.12	12925		10914	76		1.10			1.1	1437	1213	16	1.15	0.13	11628	9819	76	1.20	1.3	1241	1048	17	1.30	0.16	9999	8443	77	1.40	1.4	1090	920	17	1.50	0.18	8862	7483	77	1.60	1.6	962	812	18	1.70	0.20	7775	6565	78	1.80	1.9	836	706	18	1.95	0.23	6874	5804	78	2.00	2.1	734	620	18	2.25	0.26	5953	5027	78	2.35	2.4	651	550	19	2.50	0.30	5238	4423	78	2.70	2.7	572	483	19	2.85	0.34	4606	3889	78	3.00	3.1	505	426	19	3.25	0.40	3921	3311	78	3.55	3.6	433	366	19	3.75	0.16	9863	8328	62	0.85	1.5	1069	903	5.4	0.80	GK79R39 GKF79R39 GKA79R39 GKAF79R39	0.18	8608	7269		62	1.00	1.7	939	793	9.1	0.95	0.21	7324	6184	62	1.15	1.9	825	697	10	1.05		0.23				6705	5662	62	1.25	2.1	726	613	11	1.20	0.25	6085	5138	62	1.40	2.4	642	542	11	1.35	0.30	5163	4360	62	1.65	2.8	558	471	12	1.55	0.34	4513	3811	62	1.90	3.1	497	420	12	1.75	0.39	3977	3358	62	2.15	3.6	428	361	12	2.05	0.44	3526	2977	62	2.40	4.1	383	323	12	2.25	0.50	3077	2598	62	2.75	4.7	330	279	12	2.65	0.57	2707	2286	62	3.15	2.1	728	615	5.3	0.90	GK69R39 GKF69R39 GKA69R39 GKAF69R39	0.18kW							2.4	644	544	7.4	1.00	0.16	9863	8328	62	0.85	2.8	560					473	7.9	1.15	0.18	8608	7269	62	1.00	3.1	499	421	8.2	1.30	0.21	7324	6184	62	1.15	3.6	429	362	8.5	1.50	0.23	6705	5662	62	1.25	4.1	378	319	8.6	1.70	0.25	6085	5138	62	1.40	4.7	332	280	8.8	1.90	0.30	5163	4360	62	1.65	5.3	291	246	8.9	2.20	0.34	4513	3811	62	1.90	6.1	255	215	9.1	2.50	0.39	3977	3358	62	2.15								0.44	3526	2977	62	2.40								0.50	3077	2598	62	2.75								0.57	2707	2286	62	3.15																								
9.9	110	131.87	7.7	3.70	GK49	4P	0.62	2514	2123	38	1.80																																																																																																																																																																																																																																																																																																																																																																																																																																																																																																																																																																																																																																																																														
11	101	121.48	7.8	4.00	GKF49 GKA49 GKAF49		8.0	136	106.38	5.9	1.50		GK39	6P*	0.71	2198	1856	38	2.10	8.7		125	97.81	6.0	1.60	GKF39		10	107	83.69	6.1	1.90		GKA39	12		93		72.54	6.2	2.20	GKAF39		12	88	106.38	6.2	2.30	GK39 GKF39 GKA39 GKAF39	0.81	1924	1625	38	2.35	13	81	97.81	6.2	2.50	0.92	1694	1430	38	2.70	16	70	83.69	6.2		2.90	1.04	1493	1261	38		3.05	18	60	72.54	6.3	3.30	1.19	1305	1102	38	3.50	19	56	67.80	6.3	3.50	1.37	1133	957		38	4.05	22		49	58.60		6.1		4.10	1.53	1013	855	38	4.50	26	41	49.79	5.8	4.80	1.76	880	743	38	5.20	29	37	44.46	5.6	5.40	2.01	771	651	38	5.90	35	32	37.97	5.4	6.30	0.42	3678	3106	25	0.80	37	30	35.57	5.3	6.80	0.48	3231	2728	26	0.90	44	25	29.96	5.0	8.00	0.55	2808	2371	26	1.00	45	24	28.83	4.9	8.40	0.63	2472	2087	26	1.15	52	21	24.99	4.7	9.60	0.71	2196	1854	27	1.30	56	19	23.36	4.6	10	0.79	1964	1658	27	1.45	65	17	20.19	4.4	11	0.93	1676	1415	27	1.70	76	14	17.15	4.2	13	1.1	1455	1229	27	1.95	86	13	15.32	4.1	14	1.2	1277	1078	27	2.25	100	11	13.08	3.9	15	1.4	1126	951	27	2.55	108	10	12.14	3.8	16	1.6	991	837	27	2.90	0.18kW							1.8	860	726	27	3.35	GK89R59 GKF89R59 GKA89R59 GKAF89R59	0.09	17734	14975	70	0.80	0.87	1786	1508	14	0.90	0.11	14732	12440	75	0.95	0.95	1637	1382		15	1.00	0.12	12925		10914	76	1.10	1.1	1437	1213	16	1.15	0.13	11628	9819	76	1.20	1.3	1241	1048	17	1.30		0.16	9999		8443			77	1.40	1.4	1090	920	17	1.50	0.18	8862	7483	77	1.60	1.6	962	812	18	1.70	0.20	7775	6565	78	1.80	1.9	836	706	18	1.95	0.23	6874	5804	78	2.00	2.1	734	620	18	2.25	0.26	5953	5027	78	2.35	2.4	651	550	19	2.50	0.30	5238	4423	78	2.70	2.7	572	483	19	2.85	0.34	4606	3889	78	3.00	3.1	505	426	19	3.25	0.40	3921	3311	78	3.55	3.6	433	366	19	3.75	0.16	9863	8328	62	0.85	1.5	1069	903	5.4	0.80	GK79R39 GKF79R39 GKA79R39 GKAF79R39	0.18	8608	7269	62	1.00	1.7	939	793	9.1	0.95	0.21	7324	6184	62	1.15	1.9	825		697	10	1.05		0.23	6705	5662	62	1.25	2.1	726	613	11	1.20	0.25	6085	5138	62	1.40	2.4	642		542				11	1.35	0.30	5163	4360	62	1.65	2.8	558	471	12	1.55	0.34	4513	3811	62	1.90	3.1	497	420	12	1.75	0.39	3977	3358	62	2.15	3.6	428	361	12	2.05	0.44	3526	2977	62	2.40	4.1	383	323	12	2.25	0.50	3077	2598	62	2.75	4.7	330	279	12	2.65	0.57	2707	2286	62	3.15	2.1	728	615	5.3	0.90	GK69R39 GKF69R39 GKA69R39 GKAF69R39	0.18kW							2.4	644	544	7.4	1.00	0.16	9863	8328	62		0.85	2.8		560	473	7.9	1.15	0.18	8608	7269	62	1.00	3.1	499	421	8.2	1.30	0.21	7324					6184	62	1.15	3.6	429	362	8.5	1.50	0.23	6705	5662	62	1.25	4.1	378	319	8.6	1.70	0.25	6085	5138	62	1.40	4.7	332	280	8.8	1.90	0.30	5163	4360	62	1.65	5.3	291	246	8.9	2.20	0.34	4513	3811	62	1.90	6.1	255	215	9.1	2.50	0.39	3977	3358	62	2.15								0.44	3526	2977	62	2.40								0.50	3077	2598	62	2.75								0.57	2707	2286	62	3.15																																							
8.0	136	106.38	5.9	1.50	GK39	6P*	0.71	2198	1856	38	2.10																																																																																																																																																																																																																																																																																																																																																																																																																																																																																																																																																																																																																																																																														
8.7	125	97.81	6.0	1.60	GKF39		10	107	83.69	6.1	1.90		GKA39		12	93	72.54	6.2	2.20	GKAF39		12	88	106.38	6.2	2.30		GK39 GKF39 GKA39 GKAF39	0.81	1924	1625	38		2.35	13		81	97.81	6.2	2.50	0.92	1694	1430	38	2.70	16	70	83.69		6.2	2.90	1.04	1493	1261	38	3.05	18	60	72.54	6.3	3.30	1.19	1305	1102	38	3.50	19	56		67.80	6.3	3.50	1.37	1133		957	38	4.05	22	49	58.60	6.1	4.10	1.53	1013	855	38	4.50	26	41	49.79	5.8	4.80	1.76		880	743	38		5.20	29		37		44.46	5.6	5.40	2.01	771	651	38	5.90	35	32	37.97	5.4	6.30	0.42	3678	3106	25	0.80	37	30	35.57	5.3	6.80	0.48	3231	2728	26	0.90	44	25	29.96	5.0	8.00	0.55	2808	2371	26	1.00	45	24	28.83	4.9	8.40	0.63	2472	2087	26	1.15	52	21	24.99	4.7	9.60	0.71	2196	1854	27	1.30	56	19	23.36	4.6	10	0.79	1964	1658	27	1.45	65	17	20.19	4.4	11	0.93	1676	1415	27	1.70	76	14	17.15	4.2	13	1.1	1455	1229	27	1.95	86	13	15.32	4.1	14	1.2	1277	1078	27	2.25	100	11	13.08	3.9	15	1.4	1126	951	27	2.55	108	10	12.14	3.8	16	1.6	991	837	27	2.90	0.18kW							1.8	860	726	27	3.35	GK89R59 GKF89R59 GKA89R59 GKAF89R59	0.09	17734	14975	70	0.80	0.87	1786	1508	14	0.90	0.11	14732	12440	75	0.95	0.95	1637		1382	15	1.00	0.12	12925	10914	76	1.10	1.1	1437	1213	16	1.15	0.13	11628	9819	76	1.20		1.3	1241	1048	17		1.30	0.16	9999	8443	77	1.40	1.4	1090	920	17	1.50	0.18	8862	7483	77	1.60	1.6	962		812	18		1.70		0.20	7775	6565	78	1.80	1.9	836	706	18	1.95	0.23	6874	5804	78	2.00	2.1	734	620	18	2.25	0.26	5953	5027	78	2.35	2.4	651	550	19	2.50	0.30	5238	4423	78	2.70	2.7	572	483	19	2.85	0.34	4606	3889	78	3.00	3.1	505	426	19	3.25	0.40	3921	3311	78	3.55	3.6	433	366	19	3.75	0.16	9863	8328	62	0.85	1.5	1069	903	5.4	0.80	GK79R39 GKF79R39 GKA79R39 GKAF79R39	0.18	8608	7269	62	1.00	1.7	939	793	9.1	0.95	0.21	7324	6184	62	1.15	1.9	825		697	10	1.05	0.23	6705	5662	62	1.25	2.1	726	613	11	1.20	0.25	6085	5138	62		1.40	2.4	642		542	11	1.35	0.30	5163	4360	62	1.65	2.8	558	471	12	1.55	0.34	4513	3811	62		1.90		3.1		497	420	12	1.75	0.39	3977	3358	62	2.15	3.6	428	361	12	2.05	0.44	3526	2977	62	2.40	4.1	383	323	12	2.25	0.50	3077	2598	62	2.75	4.7	330	279	12	2.65	0.57	2707	2286	62	3.15	2.1	728	615	5.3	0.90	GK69R39 GKF69R39 GKA69R39 GKAF69R39	0.18kW							2.4	644	544	7.4	1.00	0.16	9863	8328	62	0.85		2.8	560	473	7.9	1.15	0.18	8608	7269	62	1.00	3.1	499	421	8.2	1.30	0.21		7324	6184		62	1.15	3.6	429	362	8.5	1.50	0.23	6705	5662	62	1.25	4.1	378	319	8.6	1.70				0.25	6085	5138	62	1.40	4.7	332	280	8.8	1.90	0.30	5163	4360	62	1.65	5.3	291	246	8.9	2.20	0.34	4513	3811	62	1.90	6.1	255	215	9.1	2.50	0.39	3977	3358	62	2.15								0.44	3526	2977	62	2.40								0.50	3077	2598	62	2.75								0.57	2707	2286	62	3.15																																																									
10	107	83.69	6.1	1.90	GKA39		12	93	72.54	6.2	2.20		GKAF39		12	88	106.38	6.2	2.30	GK39 GKF39 GKA39 GKAF39		0.81	1924	1625	38	2.35			13	81	97.81	6.2	2.50	0.92	1694	1430	38	2.70	16	70	83.69	6.2	2.90	1.04	1493	1261	38	3.05		18	60	72.54	6.3	3.30	1.19	1305	1102	38	3.50	19	56	67.80	6.3	3.50	1.37	1133	957	38		4.05	22	49	58.60	6.1		4.10	1.53	1013	855	38	4.50	26	41	49.79	5.8	4.80	1.76	880	743	38	5.20	29	37	44.46		5.6	5.40	2.01		771	651		38		5.90	35	32	37.97	5.4	6.30	0.42	3678	3106	25	0.80	37	30	35.57	5.3	6.80	0.48	3231	2728	26	0.90	44	25	29.96	5.0	8.00	0.55	2808	2371	26	1.00	45	24	28.83	4.9	8.40	0.63	2472	2087	26	1.15	52	21	24.99	4.7	9.60	0.71	2196	1854	27	1.30	56	19	23.36	4.6	10	0.79	1964	1658	27	1.45	65	17	20.19	4.4	11	0.93	1676	1415	27	1.70	76	14	17.15	4.2	13	1.1	1455	1229	27	1.95	86	13	15.32	4.1	14	1.2	1277	1078	27	2.25	100	11	13.08	3.9	15	1.4	1126	951	27	2.55	108	10	12.14	3.8	16	1.6	991	837	27	2.90	0.18kW							1.8	860	726	27	3.35	GK89R59 GKF89R59 GKA89R59 GKAF89R59	0.09	17734	14975	70	0.80	0.87		1786	1508	14	0.90	0.11	14732	12440	75	0.95	0.95	1637	1382	15	1.00	0.12	12925	10914		76	1.10	1.1	1437	1213	16	1.15	0.13	11628	9819	76	1.20	1.3	1241	1048	17	1.30	0.16		9999	8443	77	1.40		1.4	1090	920	17	1.50	0.18	8862	7483	77	1.60	1.6	962	812	18	1.70	0.20	7775	6565		78	1.80		1.9	836	706	18	1.95	0.23	6874	5804	78	2.00	2.1	734	620	18	2.25	0.26	5953	5027	78	2.35	2.4	651	550	19	2.50	0.30	5238	4423	78	2.70	2.7	572	483	19	2.85	0.34	4606	3889	78	3.00	3.1	505	426	19	3.25	0.40	3921	3311	78	3.55	3.6	433	366	19	3.75	0.16	9863	8328	62	0.85	1.5	1069	903	5.4	0.80	GK79R39 GKF79R39 GKA79R39 GKAF79R39	0.18	8608	7269	62	1.00	1.7		939	793	9.1	0.95	0.21	7324	6184	62	1.15	1.9	825	697	10	1.05	0.23	6705	5662		62	1.25	2.1	726	613	11	1.20	0.25	6085	5138	62	1.40	2.4	642	542	11	1.35		0.30	5163	4360		62	1.65	2.8	558	471	12	1.55	0.34	4513	3811	62	1.90	3.1	497	420	12	1.75		0.39		3977	3358	62	2.15	3.6	428	361	12	2.05	0.44	3526	2977	62	2.40	4.1	383	323	12	2.25	0.50	3077	2598	62	2.75	4.7	330	279	12	2.65	0.57	2707	2286	62	3.15	2.1	728	615	5.3	0.90	GK69R39 GKF69R39 GKA69R39 GKAF69R39	0.18kW							2.4	644	544	7.4	1.00	0.16	9863	8328	62	0.85	2.8	560	473	7.9	1.15	0.18	8608		7269	62	1.00	3.1	499	421	8.2	1.30	0.21	7324	6184	62	1.15	3.6	429	362		8.5	1.50		0.23	6705	5662	62	1.25	4.1	378	319	8.6	1.70	0.25	6085	5138	62	1.40	4.7	332		280		8.8	1.90	0.30	5163	4360	62	1.65	5.3	291	246	8.9	2.20	0.34	4513	3811	62	1.90	6.1	255	215	9.1	2.50	0.39	3977	3358	62	2.15								0.44	3526	2977	62	2.40								0.50	3077	2598	62	2.75								0.57	2707	2286	62	3.15																																																																	
12	93	72.54	6.2	2.20	GKAF39		12	88	106.38	6.2	2.30		GK39 GKF39 GKA39 GKAF39		0.81	1924	1625	38	2.35			13	81	97.81	6.2	2.50	0.92		1694	1430	38	2.70	16	70	83.69	6.2	2.90	1.04	1493	1261	38	3.05	18	60	72.54	6.3	3.30	1.19		1305	1102	38	3.50	19	56	67.80	6.3	3.50	1.37	1133	957	38	4.05	22	49	58.60	6.1	4.10		1.53	1013	855	38	4.50		26	41	49.79	5.8	4.80	1.76	880	743	38	5.20	29	37	44.46	5.6	5.40	2.01	771	651	38		5.90	35	32		37.97	5.4		6.30		0.42	3678	3106	25	0.80	37	30	35.57	5.3	6.80	0.48	3231	2728	26	0.90	44	25	29.96	5.0	8.00	0.55	2808	2371	26	1.00	45	24	28.83	4.9	8.40	0.63	2472	2087	26	1.15	52	21	24.99	4.7	9.60	0.71	2196	1854	27	1.30	56	19	23.36	4.6	10	0.79	1964	1658	27	1.45	65	17	20.19	4.4	11	0.93	1676	1415	27	1.70	76	14	17.15	4.2	13	1.1	1455	1229	27	1.95	86	13	15.32	4.1	14	1.2	1277	1078	27	2.25	100	11	13.08	3.9	15	1.4	1126	951	27	2.55	108	10	12.14	3.8	16	1.6	991	837	27	2.90	0.18kW							1.8	860	726	27	3.35	GK89R59 GKF89R59 GKA89R59 GKAF89R59	0.09	17734	14975	70	0.80		0.87	1786	1508	14	0.90	0.11		14732	12440	75	0.95	0.95	1637	1382	15	1.00	0.12	12925	10914	76	1.10	1.1	1437	1213		16	1.15	0.13	11628	9819	76	1.20	1.3	1241	1048	17	1.30	0.16	9999	8443	77	1.40	1.4		1090	920	17	1.50		0.18	8862	7483	77	1.60	1.6	962	812	18	1.70	0.20	7775	6565	78	1.80	1.9	836	706		18	1.95	0.23	6874	5804	78	2.00	2.1	734	620	18	2.25	0.26	5953	5027	78	2.35	2.4	651	550	19	2.50	0.30	5238	4423	78	2.70	2.7	572	483	19	2.85	0.34	4606	3889	78	3.00	3.1	505	426	19	3.25	0.40	3921	3311	78	3.55	3.6	433	366	19	3.75	0.16	9863	8328	62	0.85	1.5	1069	903	5.4	0.80	GK79R39 GKF79R39 GKA79R39 GKAF79R39	0.18	8608	7269	62	1.00		1.7	939	793	9.1	0.95	0.21		7324	6184	62	1.15	1.9	825	697	10	1.05	0.23	6705	5662	62	1.25	2.1	726	613		11	1.20	0.25	6085	5138	62	1.40	2.4	642	542	11	1.35	0.30	5163	4360	62	1.65		2.8	558	471		12	1.55	0.34	4513	3811	62	1.90	3.1	497	420	12	1.75	0.39	3977	3358	62	2.15		3.6	428	361	12	2.05	0.44	3526	2977	62	2.40	4.1	383	323	12	2.25	0.50	3077	2598	62	2.75	4.7	330	279	12	2.65	0.57	2707	2286	62	3.15	2.1	728	615	5.3	0.90	GK69R39 GKF69R39 GKA69R39 GKAF69R39	0.18kW							2.4	644	544	7.4	1.00		0.16	9863	8328	62	0.85	2.8	560	473	7.9	1.15	0.18	8608	7269	62	1.00	3.1	499		421	8.2	1.30	0.21	7324	6184	62	1.15	3.6	429	362	8.5	1.50	0.23	6705	5662		62	1.25		4.1	378	319	8.6	1.70	0.25	6085	5138	62	1.40	4.7	332	280	8.8	1.90	0.30	5163		4360	62	1.65	5.3	291	246	8.9	2.20	0.34	4513	3811	62	1.90	6.1	255	215	9.1	2.50	0.39	3977	3358	62	2.15								0.44	3526	2977	62	2.40								0.50	3077	2598	62	2.75								0.57	2707	2286	62	3.15																																																																							
12	88	106.38	6.2	2.30	GK39 GKF39 GKA39 GKAF39		0.81	1924	1625	38	2.35																																																																																																																																																																																																																																																																																																																																																																																																																																																																																																																																																																																																																																																																														
13	81	97.81	6.2	2.50		0.92	1694	1430	38	2.70																																																																																																																																																																																																																																																																																																																																																																																																																																																																																																																																																																																																																																																																															
16	70	83.69	6.2	2.90		1.04	1493	1261	38	3.05																																																																																																																																																																																																																																																																																																																																																																																																																																																																																																																																																																																																																																																																															
18	60	72.54	6.3	3.30		1.19	1305	1102	38	3.50																																																																																																																																																																																																																																																																																																																																																																																																																																																																																																																																																																																																																																																																															
19	56	67.80	6.3	3.50		1.37	1133	957	38	4.05																																																																																																																																																																																																																																																																																																																																																																																																																																																																																																																																																																																																																																																																															
22	49	58.60	6.1	4.10		1.53	1013	855	38	4.50																																																																																																																																																																																																																																																																																																																																																																																																																																																																																																																																																																																																																																																																															
26	41	49.79	5.8	4.80		1.76	880	743	38	5.20																																																																																																																																																																																																																																																																																																																																																																																																																																																																																																																																																																																																																																																																															
29	37	44.46	5.6	5.40		2.01	771	651	38	5.90																																																																																																																																																																																																																																																																																																																																																																																																																																																																																																																																																																																																																																																																															
35	32	37.97	5.4	6.30		0.42	3678	3106	25	0.80																																																																																																																																																																																																																																																																																																																																																																																																																																																																																																																																																																																																																																																																															
37	30	35.57	5.3	6.80		0.48	3231	2728	26	0.90																																																																																																																																																																																																																																																																																																																																																																																																																																																																																																																																																																																																																																																																															
44	25	29.96	5.0	8.00		0.55	2808	2371	26	1.00																																																																																																																																																																																																																																																																																																																																																																																																																																																																																																																																																																																																																																																																															
45	24	28.83	4.9	8.40		0.63	2472	2087	26	1.15																																																																																																																																																																																																																																																																																																																																																																																																																																																																																																																																																																																																																																																																															
52	21	24.99	4.7	9.60		0.71	2196	1854	27	1.30																																																																																																																																																																																																																																																																																																																																																																																																																																																																																																																																																																																																																																																																															
56	19	23.36	4.6	10		0.79	1964	1658	27	1.45																																																																																																																																																																																																																																																																																																																																																																																																																																																																																																																																																																																																																																																																															
65	17	20.19	4.4	11		0.93	1676	1415	27	1.70																																																																																																																																																																																																																																																																																																																																																																																																																																																																																																																																																																																																																																																																															
76	14	17.15	4.2	13		1.1	1455	1229	27	1.95																																																																																																																																																																																																																																																																																																																																																																																																																																																																																																																																																																																																																																																																															
86	13	15.32	4.1	14		1.2	1277	1078	27	2.25																																																																																																																																																																																																																																																																																																																																																																																																																																																																																																																																																																																																																																																																															
100	11	13.08	3.9	15		1.4	1126	951	27	2.55																																																																																																																																																																																																																																																																																																																																																																																																																																																																																																																																																																																																																																																																															
108	10	12.14	3.8	16	1.6	991	837	27	2.90																																																																																																																																																																																																																																																																																																																																																																																																																																																																																																																																																																																																																																																																																
0.18kW							1.8	860	726	27	3.35	GK89R59 GKF89R59 GKA89R59 GKAF89R59																																																																																																																																																																																																																																																																																																																																																																																																																																																																																																																																																																																																																																																																													
0.09	17734	14975	70	0.80	0.87	1786	1508	14	0.90																																																																																																																																																																																																																																																																																																																																																																																																																																																																																																																																																																																																																																																																																
0.11	14732	12440	75	0.95	0.95	1637	1382	15	1.00																																																																																																																																																																																																																																																																																																																																																																																																																																																																																																																																																																																																																																																																																
0.12	12925	10914	76	1.10	1.1	1437	1213	16	1.15																																																																																																																																																																																																																																																																																																																																																																																																																																																																																																																																																																																																																																																																																
0.13	11628	9819	76	1.20	1.3	1241	1048	17	1.30																																																																																																																																																																																																																																																																																																																																																																																																																																																																																																																																																																																																																																																																																
0.16	9999	8443	77	1.40	1.4	1090	920	17	1.50																																																																																																																																																																																																																																																																																																																																																																																																																																																																																																																																																																																																																																																																																
0.18	8862	7483	77	1.60	1.6	962	812	18	1.70																																																																																																																																																																																																																																																																																																																																																																																																																																																																																																																																																																																																																																																																																
0.20	7775	6565	78	1.80	1.9	836	706	18	1.95																																																																																																																																																																																																																																																																																																																																																																																																																																																																																																																																																																																																																																																																																
0.23	6874	5804	78	2.00	2.1	734	620	18	2.25																																																																																																																																																																																																																																																																																																																																																																																																																																																																																																																																																																																																																																																																																
0.26	5953	5027	78	2.35	2.4	651	550	19	2.50																																																																																																																																																																																																																																																																																																																																																																																																																																																																																																																																																																																																																																																																																
0.30	5238	4423	78	2.70	2.7	572	483	19	2.85																																																																																																																																																																																																																																																																																																																																																																																																																																																																																																																																																																																																																																																																																
0.34	4606	3889	78	3.00	3.1	505	426	19	3.25																																																																																																																																																																																																																																																																																																																																																																																																																																																																																																																																																																																																																																																																																
0.40	3921	3311	78	3.55	3.6	433	366	19	3.75																																																																																																																																																																																																																																																																																																																																																																																																																																																																																																																																																																																																																																																																																
0.16	9863	8328	62	0.85	1.5	1069	903	5.4	0.80	GK79R39 GKF79R39 GKA79R39 GKAF79R39																																																																																																																																																																																																																																																																																																																																																																																																																																																																																																																																																																																																																																																																															
0.18	8608	7269	62	1.00	1.7	939	793	9.1	0.95																																																																																																																																																																																																																																																																																																																																																																																																																																																																																																																																																																																																																																																																																
0.21	7324	6184	62	1.15	1.9	825	697	10	1.05																																																																																																																																																																																																																																																																																																																																																																																																																																																																																																																																																																																																																																																																																
0.23	6705	5662	62	1.25	2.1	726	613	11	1.20																																																																																																																																																																																																																																																																																																																																																																																																																																																																																																																																																																																																																																																																																
0.25	6085	5138	62	1.40	2.4	642	542	11	1.35																																																																																																																																																																																																																																																																																																																																																																																																																																																																																																																																																																																																																																																																																
0.30	5163	4360	62	1.65	2.8	558	471	12	1.55																																																																																																																																																																																																																																																																																																																																																																																																																																																																																																																																																																																																																																																																																
0.34	4513	3811	62	1.90	3.1	497	420	12	1.75																																																																																																																																																																																																																																																																																																																																																																																																																																																																																																																																																																																																																																																																																
0.39	3977	3358	62	2.15	3.6	428	361	12	2.05																																																																																																																																																																																																																																																																																																																																																																																																																																																																																																																																																																																																																																																																																
0.44	3526	2977	62	2.40	4.1	383	323	12	2.25																																																																																																																																																																																																																																																																																																																																																																																																																																																																																																																																																																																																																																																																																
0.50	3077	2598	62	2.75	4.7	330	279	12	2.65																																																																																																																																																																																																																																																																																																																																																																																																																																																																																																																																																																																																																																																																																
0.57	2707	2286	62	3.15	2.1	728	615	5.3	0.90	GK69R39 GKF69R39 GKA69R39 GKAF69R39																																																																																																																																																																																																																																																																																																																																																																																																																																																																																																																																																																																																																																																																															
0.18kW							2.4	644	544		7.4	1.00																																																																																																																																																																																																																																																																																																																																																																																																																																																																																																																																																																																																																																																																													
0.16	9863	8328	62	0.85	2.8	560	473	7.9	1.15																																																																																																																																																																																																																																																																																																																																																																																																																																																																																																																																																																																																																																																																																
0.18	8608	7269	62	1.00	3.1	499	421	8.2	1.30																																																																																																																																																																																																																																																																																																																																																																																																																																																																																																																																																																																																																																																																																
0.21	7324	6184	62	1.15	3.6	429	362	8.5	1.50																																																																																																																																																																																																																																																																																																																																																																																																																																																																																																																																																																																																																																																																																
0.23	6705	5662	62	1.25	4.1	378	319	8.6	1.70																																																																																																																																																																																																																																																																																																																																																																																																																																																																																																																																																																																																																																																																																
0.25	6085	5138	62	1.40	4.7	332	280	8.8	1.90																																																																																																																																																																																																																																																																																																																																																																																																																																																																																																																																																																																																																																																																																
0.30	5163	4360	62	1.65	5.3	291	246	8.9	2.20																																																																																																																																																																																																																																																																																																																																																																																																																																																																																																																																																																																																																																																																																
0.34	4513	3811	62	1.90	6.1	255	215	9.1	2.50																																																																																																																																																																																																																																																																																																																																																																																																																																																																																																																																																																																																																																																																																
0.39	3977	3358	62	2.15																																																																																																																																																																																																																																																																																																																																																																																																																																																																																																																																																																																																																																																																																					
0.44	3526	2977	62	2.40																																																																																																																																																																																																																																																																																																																																																																																																																																																																																																																																																																																																																																																																																					
0.50	3077	2598	62	2.75																																																																																																																																																																																																																																																																																																																																																																																																																																																																																																																																																																																																																																																																																					
0.57	2707	2286	62	3.15																																																																																																																																																																																																																																																																																																																																																																																																																																																																																																																																																																																																																																																																																					

*0.12kW (6P) 电机需特制。*0.12kW motor of 6 poles needs to be specially requested and then manufactured.

GK 系列斜齿轮-锥齿轮减速电机

选型参数表

(恒功率) 0.18kW-0.25kW

Selection Table

(Constant Power) 0.18kW-0.25kW

n_a [r/min]	M_a [Nm]	i	F_{Ra} [kN]	f_B	机型号 Type size	极数 Pole	n_a [r/min]	M_a [Nm]	i	F_{Ra} [kN]	f_B	机型号 Type size	极数 Pole		
0.18kW							0.18kW								
6.8	227	192	9.1	2.80	GK59R39 GKF59R39 GKA59R39 GKAF59R39	4P	44	37	29.96	5.0	5.10	GK39 GKF39 GKA39 GKAF39	4P		
7.9	197	166	9.2	3.25			45	36	28.83	4.9	5.30				
3.5	444	375	5.6	0.95			52	31	24.99	4.7	6.20				
4.0	387	327	6.1	1.10			56	29	23.36	4.6	6.40				
4.5	342	289	6.6	1.25	GK49R39 GKF49R39 GKA49R39 GKAF49R39	4P	65	25	20.19	4.4	7.00				
5.1	303	256	6.9	1.40			76	21	17.15	4.2	8.10				
5.8	266	225	7.1	1.60			86	19	15.32	4.1	8.80				
6.6	234	198	7.3	1.80			100	16	13.08	3.9	9.70				
7.7	203	171	7.5	2.10			108	15	12.14	3.8	10				
8.6	181	153	7.6	2.35			125	13	10.49	3.6	12				
10	155	131	7.6	2.75			147	11	8.91	3.4	14				
10	155	131	7.6	2.75			165	9.9	7.96	3.3	15				
6.4	243	205	5.0	0.85	GK39R19 GKF39R19 GKA39R19 GKAF39R19	4P	0.25kW								
7.2	214	181	5.4	1.00			0.14	16151	9819	72	0.85				
8.2	189	160	5.6	1.10			0.16	13887	8443	75	1.00				
9.6	161	136	5.8	1.30			0.18	12308	7483	76	1.15				
10	150	127	5.9	1.40			0.20	10798	6565	77	1.30				
9.0	171	144.79	12	2.90	GK69 GKF69 GKA69 GKAF69	6P	0.23	9547	5804	77	1.45				
11	146	123.54	12	3.40			0.26	8269	5027	78	1.70				
12	128	108.03	12	3.80			0.30	7275	4423	78	1.95				
13	122	102.62	12	4.00			0.34	6397	3889	78	2.20				
9.0	180	144.79	12	4.30	GK69 GKF69 GKA69 GKAF69	4P	0.40	5446	3311	78	2.55				
11	154	123.54	12	5.10			0.22	10019	6184	62	0.85				
12	135	108.03	12	5.80			0.23	9173	5662	62	0.90				
5.9	279	145.15	8.9	2.10			GK59 GKF59 GKA59 GKAF59	6P	0.26	8324	5138	62	1.00		
6.9	238	123.85	9.0	2.50	0.31	7064			4360	62	1.20				
7.8	208	108.29	9.1	2.80	0.35	6174			3811	62	1.35				
8.3	198	102.88	9.1	3.00	0.40	5440			3358	62	1.55				
9.4	173	90.26	9.2	3.40	0.45	4823			2977	62	1.75				
9.0	181	145.15	9.2	3.20	0.51	4209			2598	62	2.00				
11	154	123.85	9.3	3.70	GK59 GKF59 GKA59 GKAF59	4P			0.58	3704	2286	62	2.25		
12	135	108.29	9.3	4.30					0.69	3141	1939	62	2.65		
13	128	102.88	9.3	4.50			0.78	2775	1713	62	3.00				
15	113	90.26	9.4	5.10			0.86	2519	1555	62	3.30				
17	95	76.56	9.4	6.00			1.0	2164	1336	62	3.85				
6.4	253	131.87	7.0	1.55	GK49 GKF49 GKA49 GKAF49	6P	0.43	5035	3108	38	0.85				
7.0	233	121.48	7.2	1.65			0.48	4465	2756	38	1.00				
8.1	201	104.37	7.4	1.95			0.55	3919	2419	38	1.15				
9.4	175	90.86	7.5	2.20			0.63	3439	2123	38	1.30				
10	164	85.12	7.5	2.40	GK49 GKF49 GKA49 GKAF49	4P	0.72	3007	1856	38	1.50				
10	164	131.87	7.5	2.30			0.82	2633	1625	38	1.70				
11	151	121.48	7.6	2.50			0.93	2317	1430	38	1.95				
13	130	104.37	7.7	2.90			1.1	2043	1261	38	2.20				
14	113	90.86	7.7	3.40			1.2	1785	1102	38	2.50				
15	106	85.12	7.7	3.60			1.4	1550	957	38	2.90				
8.0	204	106.38	5.2	0.95	GK39 GKF39 GKA39 GKAF39	6P	1.6	1385	855	38	3.25				
8.7	188	97.81	5.4	1.05			0.64	3381	2087	25	0.85				
10	161	83.69	5.7	1.20			0.72	3004	1854	26	0.95				
12	139	72.54	5.9	1.40			0.80	2686	1658	26	1.05				
12	133	106.38	5.9	1.45	GK39 GKF39 GKA39 GKAF39	4P	0.94	2292	1415	26	1.25				
13	122	97.81	6.0	1.55			1.1	1991	1229	27	1.40				
16	104	83.69	6.1	1.85			1.2	1746	1078	27	1.60				
18	90	72.54	6.1	2.10			1.4	1541	951	27	1.85				
19	85	67.80	6.2	2.30			1.6	1356	837	27	2.10				
22	73	58.60	6.0	2.60			1.8	1176	726	27	2.40				
26	62	49.79	5.7	3.10			2.1	1034	638	27	2.75				
29	55	44.46	5.5	3.50											
35	47	37.97	5.3	4.10											
37	44	35.57	5.2	4.30											

选型参数表
(恒功率) 0.25kW-0.37kW
Selection Table
(Constant Power) 0.25kW-0.37kW

n_a [r/min]	M_a [Nm]	i	F_{Ra} [kN]	f_B	机型号 Type size	极数 Pole	n_a [r/min]	M_a [Nm]	i	F_{Ra} [kN]	f_B	机型号 Type size	极数 Pole	
0.25kW							0.25kW							
1.3	1698	1048	14	0.95			9.2	248	145.15	8.9	2.20			
1.4	1490	920	15	1.10			11	211	123.85	9.1	2.60	GK59	4P	
1.6	1316	812	16	1.20			12	185	108.29	9.2	3.00	GKF59		
1.9	1144	706	17	1.40			13	175	102.88	9.2	3.20	GKA59		
2.1	1004	620	17	1.60			15	154	90.26	9.3	3.60	GKAF59		
2.4	891	550	18	1.80	GK79R39	4P	17	131	76.56	9.3	4.30			
2.8	783	483	18	2.05	GKF79R39		6.4	352	131.87	6.1	1.10	GK49	6P	
3.1	690	426	18	2.35	GKA79R39		7.0	324	121.48	6.4	1.20	GKF49		
3.6	593	366	19	2.70	GKAF79R39		8.1	278	104.37	6.8	1.40	GKA49		
4.1	528	326	19	3.05			9.4	242	90.86	7.1	1.60	GKAF49		
4.6	468	289	19	3.45			10	227	85.12	7.2	1.75			
5.3	407	251	19	3.95				10	225	131.87	7.1	1.65	GK49	4P
6.0	356	220	19	4.50				11	207	121.48	7.3	1.80	GKF49	
6.9	314	194	19	5.15				13	178	104.37	7.4	2.10	GKA49	
7.6	282	174	19	5.70				15	155	90.86	7.5	2.40	GKAF49	
							16	145	85.12	7.6	2.60			
2.2	993	613	7.0	0.85			10	223	83.69	5.0	0.90	GK39	6P	
2.5	878	542	10	1.00			12	194	72.54	5.4	1.00	GKF39		
2.8	763	471	10	1.10	GK69R39	4P	13	181	67.80	5.5	1.10	GKA39		
3.2	680	420	11	1.25	GKF69R39		15	156	58.60	5.7	1.25	GKAF39		
3.7	585	361	11	1.45	GKA69R39		17	133	49.79	5.9	1.50			
4.1	523	323	12	1.65	GKAF69R39		13	181	106.38	5.4	1.00			
4.8	452	279	12	1.90				14	167	97.81	5.6	1.10		
5.4	399	246	12	2.15				16	143	83.69	5.8	1.30		
6.1	352	217	12	2.45				18	124	72.54	5.9	1.50		
3.2	682	421	5.5	0.90				20	116	67.80	5.9	1.60		
3.7	586	362	7.4	1.05				23	100	58.60	5.7	1.85		
4.2	517	319	8.0	1.20				27	85	49.79	5.5	2.20		
4.8	454	280	8.3	1.40			30	76	44.46	5.4	2.50			
5.4	399	246	8.5	1.55	GK59R39	4P	35	65	37.97	5.2	2.90			
6.2	348	215	8.7	1.80	GKF59R39		37	61	35.57	5.1	3.10			
6.9	311	192	8.8	2.00	GKA59R39		44	51	29.96	4.8	3.60	GK39		
8.0	269	166	9.0	2.35	GKAF59R39		46	49	28.83	4.8	3.80	GKF39		
9.2	235	145	9.1	2.65				53	43	24.99	4.6	4.40	GKA39	
10	209	129	9.1	3.00				57	40	23.36	4.5	4.60	GKAF39	
12	180	111	9.2	3.50				66	34	20.19	4.4	5.00		
14	157	97	9.3	4.00				78	29	17.15	4.2	5.70		
4.2	544	153.40	19	2.90	GK79		8P	87	26	15.32	4.0	6.20		
4.7	478	134.74	19	3.30	GKF79			102	22	13.08	3.8	6.90		
5.0	454	128.00	19	3.40	GKA79	110		21	12.14	3.7	7.20			
5.7	401	113.10	19	3.90	GKAF79	127		18	10.49	3.6	8.30			
4.4	511	191.40	19	2.80	GK79	6P	149	15	8.91	3.4	9.80			
4.8	477	178.64	19	3.00	GKF79		167	14	7.96	3.3	11.00			
5.5	409	153.40	19	3.70	GKA79		196	12	6.80	3.1	12.00			
6.3	360	134.74	19	4.20	GKAF79		209	11	6.37	3.1	12.00			
5.2	438	123.54	12	1.90	GK69	8P	0.37kW							
5.9	383	108.03	12	2.20	GKF69		0.18	17942	7483	69	0.75			
6.2	364	102.62	12	2.30	GKA69		0.20	15741	6565	73	0.90	GK129R79	4P	
7.1	319	90.04	12	2.60	GKAF69		0.23	13916	5804	75	1.00	GKF129R79		
5.9	386	144.79	12	2.10	GK69	0.26	12053	5027	76	1.15	GKA129R79			
6.9	330	123.54	12	2.50	GKF69	0.30	10605	4423	77	1.30	GKAF129R79			
7.9	288	108.03	12	2.80	GKA69	0.34	9325	3889	77	1.45				
8.3	274	102.62	12	3.00	GKAF69	0.40	7939	3311	78	1.75				
9.2	247	144.79	12	3.10	GK69	4P	0.69	4618	1926	78	2.95	GK129R79	4P	
11	211	123.54	12	3.60	GKF69		0.76	4213	1757	78	3.25	GKF129R79		
12	184	108.03	12	4.10	GKA69		0.86	3695	1541	78	3.70	GKA129R79		
13	175	102.62	12	4.30	GKAF69							GKAF129R79		
5.9	387	145.15	8.5	1.50		6P	0.35	9138	3811	62	0.90	GK109R79	4P	
6.9	330	123.85	8.7	1.80	GK59		0.40	8052	3358	62	1.05	GKF109R79		
7.8	289	108.29	8.8	2.00	GKF59		0.45	7138	2977	62	1.15	GKA109R79		
8.3	275	102.88	8.9	2.20	GKA59		0.51	6229	2598	62	1.35	GKAF109R79		
9.4	241	90.26	9.0	2.50	GKAF59		0.58	5481	2286	62	1.55			
11	204	76.56	9.1	2.90			0.69	4649	1939	62	1.80			

GK 系列斜齿轮-锥齿轮减速电机

选型参数表

(恒功率) 0.37kW

Selection Table

(Constant Power) 0.37kW

n_a [r/min]	M_a [Nm]	i	F_{Ra} [kN]	f_B	机型号 Type size	极数 Pole	n_a [r/min]	M_a [Nm]	i	F_{Ra} [kN]	f_B	机型号 Type size	极数 Pole																																																																																																																																																																																																																																																																																																																																																																																																																																			
0.37kW							0.37kW																																																																																																																																																																																																																																																																																																																																																																																																																																									
0.78	4107	1713	62	2.05	GK109R79	4P	3.8	886	174.19	27	3.00	GK89	8P																																																																																																																																																																																																																																																																																																																																																																																																																																			
0.86	3728	1555	62	2.25	GKF109R79		1.0	3203	1336	62	2.60	GKA109R79		1.1	2796	1166	62	3.00	GKAF109R79	0.63	5090	2123	38	0.90	GK99R59 GKF99R59 GKA99R59 GKAF99R59	4P	4.5	744	197.37	27	3.50	GK89 GKF89 GKA89 GKAF89	6P	0.72	4450	1856	38	1.00	0.82	3896	1625	38	1.15	0.93	3429	1430	38	1.30	1.1	3024	1261	38	1.50	1.2	2642	1102	38	1.70	1.4	2295	957	38	1.95	1.6	2050	855	38	2.20	1.8	1782	743	38	2.50	2.0	1561	651	38	2.90	2.3	1374	573	38	3.25	0.94	3393	1415	25	0.85	GK89R59 GKF89R59 GKA89R59 GKAF89R59	4P	4.9	685	134.74	18	2.20	GK79 GKF79 GKA79 GKAF79	8P	1.1	2947	1229	26	0.95	1.2	2585	1078	26	1.10	1.4	2280	951	27	1.25	1.6	2007	837	27	1.40	1.8	1741	726	27	1.60	2.1	1530	638	27	1.85	2.4	1348	562	27	2.10	2.8	1137	474	27	2.50	3.1	1021	426	27	2.75	3.6	894	373	27	3.15	1.6	1947	812	10	0.85	GK79R39 GKF79R39 GKA79R39 GKAF79R39	4P	6.9	483	191.40	19	3.00	GK79 GKF79 GKA79 GKAF79	4P	1.9	1693	706	14	0.95	2.1	1487	620	16	1.10	2.4	1319	550	16	1.20	2.8	1158	483	17	1.40	3.1	1021	426	18	1.60	3.6	878	366	18	1.85	4.1	782	326	18	2.05	4.6	693	289	18	2.30	5.3	602	251	19	2.70	6.0	528	220	19	3.05	6.9	465	194	19	3.45	7.6	417	174	19	3.85	8.7	367	153	19	4.40	3.2	1007	420	8.6	0.85	GK69R39 GKF69R39 GKA69R39 GKAF69R39	4P	7.2	467	123.85	12	1.70	GK69 GKF69 GKA69 GKAF69	6P	3.7	866	361	10	1.00	4.1	774	323	11	1.10	4.8	669	279	11	1.30	5.4	590	246	12	1.45	6.1	520	217	12	1.65	7.0	458	191	12	1.85	8.0	398	166	12	2.15	9.2	345	144	12	2.50	11	293	122	12	2.95	4.8	671	280	7.1	0.95	GK59R39 GKF59R39 GKA59R39 GKAF59R39	4P	9.2	366	145.15	8.6	1.60	GK59 GKF59 GKA59 GKAF59	6P	5.4	590	246	7.6	1.05	6.2	516	215	8.1	1.20	6.9	460	192	8.3	1.35	8.0	398	166	8.6	1.55	9.2	348	145	8.7	1.80	10	309	129	8.9	2.00	12	266	111	9.0	2.35	14	233	97	9.1	2.70	8.5	394	104.37	5.2	1.00	GK49 GKF49 GKA49 GKAF49	6P	9.8	343	90.86	6.2	1.10	10	321	85.12	6.4	1.20	12	284	75.20	6.7	1.35	10	333	131.87	6.4	1.20	GK49 GKF49 GKA49 GKAF49	4P	11	307	121.48	6.6	1.30	13	263	104.37	7.0	1.50	15	229	90.86	7.2	1.70	GK49 GKF49 GKA49 GKAF49	4P	16	215	85.12	7.3	1.85	18	190	75.20	7.4	2.10	19	176	69.84	7.5	2.20	21	160	63.30	7.6	2.50																											
1.0	3203	1336	62	2.60	GKA109R79		1.1	2796	1166	62	3.00	GKAF109R79		0.63	5090	2123	38	0.90	GK99R59 GKF99R59 GKA99R59 GKAF99R59	4P	4.5	744	197.37	27			3.50	GK89 GKF89 GKA89 GKAF89	6P	0.72	4450	1856		38	1.00	0.82	3896	1625	38	1.15	0.93	3429	1430	38	1.30	1.1	3024	1261	38	1.50	1.2	2642	1102	38	1.70	1.4	2295	957	38	1.95	1.6	2050	855	38	2.20	1.8	1782	743	38	2.50	2.0	1561	651	38	2.90	2.3	1374	573	38	3.25	0.94	3393	1415	25	0.85	GK89R59 GKF89R59 GKA89R59 GKAF89R59	4P	4.9			685	134.74	18	2.20	GK79 GKF79 GKA79 GKAF79	8P		1.1	2947	1229	26	0.95	1.2	2585	1078	26	1.10	1.4	2280	951	27	1.25	1.6	2007	837	27	1.40	1.8	1741	726	27	1.60	2.1	1530	638	27	1.85	2.4	1348	562	27	2.10	2.8	1137	474	27	2.50	3.1	1021	426	27	2.75	3.6	894	373	27	3.15	1.6	1947	812	10	0.85			GK79R39 GKF79R39 GKA79R39 GKAF79R39	4P	6.9	483	191.40	19		3.00	GK79 GKF79 GKA79 GKAF79	4P	1.9	1693	706	14	0.95	2.1	1487	620	16	1.10	2.4	1319	550	16	1.20	2.8	1158	483	17	1.40	3.1	1021	426	18	1.60	3.6	878	366	18	1.85	4.1	782	326	18	2.05	4.6	693	289	18	2.30	5.3	602	251	19	2.70	6.0	528	220	19	3.05	6.9	465	194	19	3.45	7.6	417	174	19	3.85	8.7	367	153	19	4.40	3.2	1007			420	8.6	0.85	GK69R39 GKF69R39 GKA69R39 GKAF69R39	4P	7.2		467	123.85	12	1.70	GK69 GKF69 GKA69 GKAF69	6P	3.7	866	361	10	1.00	4.1	774	323	11	1.10	4.8	669	279	11	1.30	5.4	590	246	12	1.45	6.1	520	217	12	1.65	7.0	458	191	12	1.85	8.0	398	166	12	2.15	9.2	345	144	12	2.50	11	293	122	12			2.95	4.8	671	280	7.1			0.95	GK59R39 GKF59R39 GKA59R39 GKAF59R39	4P	9.2	366	145.15	8.6	1.60	GK59 GKF59 GKA59 GKAF59	6P	5.4	590	246	7.6	1.05	6.2	516	215	8.1	1.20	6.9	460	192	8.3	1.35	8.0	398	166	8.6	1.55	9.2	348	145	8.7	1.80	10	309	129	8.9	2.00	12	266	111	9.0	2.35	14		233	97	9.1	2.70	8.5	394	104.37	5.2	1.00	GK49 GKF49 GKA49 GKAF49	6P	9.8	343	90.86	6.2	1.10	10	321	85.12	6.4	1.20		12	284	75.20	6.7	1.35	10	333	131.87	6.4	1.20	GK49 GKF49 GKA49 GKAF49	4P	11	307	121.48			6.6	1.30	13	263	104.37	7.0	1.50	15	229	90.86	7.2	1.70	GK49 GKF49 GKA49 GKAF49	4P	16	215	85.12	7.3	1.85	18	190	75.20	7.4	2.10	19	176	69.84	7.5	2.20	21	160	63.30	7.6	2.50													
1.1	2796	1166	62	3.00	GKAF109R79																																																																																																																																																																																																																																																																																																																																																																																																																																											
0.63	5090	2123	38	0.90	GK99R59 GKF99R59 GKA99R59 GKAF99R59	4P	4.5	744	197.37	27	3.50	GK89 GKF89 GKA89 GKAF89	6P																																																																																																																																																																																																																																																																																																																																																																																																																																			
0.72	4450	1856	38	1.00			0.82	3896	1625	38	1.15	0.93		3429	1430	38	1.30	1.1			3024	1261	38	1.50			1.2	2642	1102	38	1.70	1.4	2295	957	38	1.95	1.6	2050	855	38	2.20	1.8	1782	743	38	2.50	2.0	1561	651	38	2.90	2.3	1374	573	38	3.25	0.94	3393	1415	25	0.85	GK89R59 GKF89R59 GKA89R59 GKAF89R59	4P	4.9	685	134.74	18	2.20	GK79 GKF79 GKA79 GKAF79	8P	1.1	2947	1229	26	0.95	1.2	2585	1078	26	1.10	1.4	2280	951	27	1.25			1.6			2007	837	27	1.40	1.8		1741	726	27	1.60	2.1	1530	638	27	1.85	2.4	1348	562	27	2.10	2.8	1137	474	27	2.50	3.1	1021	426	27	2.75	3.6	894	373	27	3.15	1.6	1947	812	10	0.85	GK79R39 GKF79R39 GKA79R39 GKAF79R39	4P	6.9	483	191.40	19	3.00	GK79 GKF79 GKA79 GKAF79	4P	1.9	1693	706	14	0.95	2.1	1487	620	16	1.10	2.4	1319	550					16	1.20	2.8	1158	483	17	1.40	3.1	1021	426	18	1.60	3.6	878	366	18	1.85	4.1	782	326	18	2.05	4.6	693	289	18	2.30	5.3	602	251	19	2.70	6.0	528	220	19	3.05	6.9	465	194	19	3.45	7.6	417	174	19	3.85	8.7	367	153	19	4.40	3.2	1007	420	8.6	0.85	GK69R39 GKF69R39 GKA69R39 GKAF69R39	4P	7.2	467	123.85	12	1.70	GK69 GKF69 GKA69 GKAF69	6P	3.7	866	361	10	1.00	4.1	774	323	11			1.10	4.8	669			279	11	1.30	5.4	590	246	12		1.45	6.1	520	217	12	1.65	7.0	458	191	12	1.85	8.0	398	166	12	2.15	9.2	345	144	12	2.50	11	293	122	12	2.95	4.8	671	280	7.1	0.95	GK59R39 GKF59R39 GKA59R39 GKAF59R39	4P	9.2	366	145.15	8.6	1.60	GK59 GKF59 GKA59 GKAF59	6P	5.4	590	246	7.6			1.05	6.2	516	215	8.1			1.20			6.9	460	192	8.3	1.35			8.0	398	166	8.6	1.55	9.2	348	145	8.7	1.80	10	309	129	8.9	2.00	12	266	111	9.0	2.35	14	233	97	9.1	2.70	8.5	394	104.37	5.2	1.00	GK49 GKF49 GKA49 GKAF49	6P	9.8	343	90.86	6.2	1.10	10	321	85.12	6.4	1.20	12	284	75.20	6.7	1.35		10	333	131.87	6.4	1.20	GK49 GKF49 GKA49 GKAF49	4P	11	307	121.48	6.6	1.30	13	263	104.37	7.0	1.50	15	229	90.86	7.2	1.70	GK49 GKF49 GKA49 GKAF49	4P	16	215			85.12	7.3	1.85	18	190	75.20	7.4	2.10	19	176	69.84	7.5			2.20	21	160	63.30	7.6	2.50																											
0.82	3896	1625	38	1.15			0.93	3429	1430	38	1.30	1.1	3024	1261	38	1.50	1.2	2642			1102	38	1.70	1.4			2295	957	38	1.95	1.6	2050	855	38	2.20	1.8	1782	743	38	2.50	2.0	1561	651	38	2.90	2.3	1374	573	38	3.25	0.94	3393	1415	25	0.85	GK89R59 GKF89R59 GKA89R59 GKAF89R59	4P	4.9	685	134.74	18			2.20	GK79 GKF79 GKA79 GKAF79	8P	1.1	2947	1229		26	0.95	1.2	2585	1078	26	1.10	1.4	2280	951	27	1.25	1.6	2007	837			27			1.40	1.8	1741	726	27	1.60	2.1	1530	638	27	1.85	2.4	1348	562	27	2.10	2.8	1137	474	27	2.50	3.1	1021	426	27	2.75	3.6	894	373	27	3.15	1.6	1947	812	10	0.85	GK79R39 GKF79R39 GKA79R39 GKAF79R39	4P	6.9	483			191.40	19	3.00	GK79 GKF79 GKA79 GKAF79	4P	1.9		1693	706	14	0.95	2.1	1487	620	16	1.10	2.4	1319	550	16					1.20	2.8	1158	483	17	1.40	3.1	1021	426	18	1.60	3.6	878	366	18	1.85	4.1	782	326	18	2.05	4.6	693	289	18	2.30	5.3	602	251	19	2.70	6.0	528	220	19	3.05	6.9	465	194	19	3.45	7.6	417	174	19	3.85	8.7	367	153	19	4.40	3.2	1007	420	8.6	0.85	GK69R39 GKF69R39 GKA69R39 GKAF69R39			4P	7.2	467	123.85	12	1.70		GK69 GKF69 GKA69 GKAF69	6P	3.7	866	361	10	1.00	4.1	774			323	11	1.10			4.8	669	279	11	1.30	5.4	590	246	12	1.45	6.1	520	217	12	1.65	7.0	458	191	12	1.85	8.0	398	166	12	2.15	9.2	345	144	12	2.50	11	293	122	12	2.95	4.8	671	280	7.1			0.95	GK59R39 GKF59R39 GKA59R39 GKAF59R39	4P	9.2	366			145.15	8.6	1.60	GK59 GKF59 GKA59 GKAF59			6P	5.4	590	246	7.6			1.05			6.2	516	215	8.1	1.20			6.9	460	192	8.3	1.35	8.0	398	166	8.6	1.55	9.2	348	145	8.7	1.80	10	309	129	8.9	2.00	12	266	111	9.0	2.35	14	233	97	9.1	2.70	8.5		394	104.37	5.2	1.00	GK49 GKF49 GKA49 GKAF49	6P	9.8	343	90.86	6.2	1.10	10	321	85.12	6.4	1.20	12	284	75.20	6.7	1.35	10		333	131.87	6.4	1.20	GK49 GKF49 GKA49 GKAF49	4P	11	307	121.48	6.6	1.30	13	263	104.37	7.0			1.50	15			229	90.86	7.2	1.70	GK49 GKF49 GKA49 GKAF49	4P	16	215	85.12	7.3	1.85	18			190	75.20	7.4	2.10	19	176	69.84	7.5	2.20	21	160	63.30	7.6	2.50																			
0.93	3429	1430	38	1.30			1.1	3024	1261	38	1.50	1.2	2642	1102	38	1.70	1.4	2295			957	38	1.95	1.6			2050	855	38	2.20	1.8	1782	743	38	2.50	2.0	1561	651	38	2.90	2.3	1374	573	38	3.25	0.94	3393	1415	25	0.85	GK89R59 GKF89R59 GKA89R59 GKAF89R59	4P	4.9	685	134.74			18	2.20	GK79 GKF79 GKA79 GKAF79	8P			1.1	2947		1229	26	0.95		1.2	2585	1078	26	1.10	1.4	2280	951	27	1.25	1.6	2007	837	27	1.40			1.8			1741	726	27	1.60	2.1	1530	638	27	1.85	2.4	1348	562	27	2.10	2.8	1137	474	27	2.50	3.1	1021	426	27	2.75	3.6	894	373	27	3.15	1.6	1947	812	10	0.85	GK79R39 GKF79R39 GKA79R39 GKAF79R39	4P			6.9	483			191.40	19	3.00	GK79 GKF79 GKA79 GKAF79		4P	1.9	1693	706	14	0.95	2.1	1487	620	16	1.10	2.4	1319	550	16					1.20	2.8	1158	483	17	1.40	3.1	1021	426	18	1.60	3.6	878	366	18	1.85	4.1	782	326	18	2.05	4.6	693	289	18	2.30	5.3	602	251	19	2.70	6.0	528	220	19	3.05	6.9	465	194	19	3.45	7.6	417	174	19	3.85	8.7	367	153	19	4.40	3.2	1007	420	8.6	0.85					GK69R39 GKF69R39 GKA69R39 GKAF69R39	4P	7.2	467	123.85		12		1.70	GK69 GKF69 GKA69 GKAF69	6P	3.7	866	361	10			1.00	4.1	774			323	11	1.10	4.8	669	279	11	1.30	5.4	590	246	12	1.45	6.1	520	217	12	1.65	7.0	458	191	12	1.85	8.0	398	166	12	2.15	9.2	345	144	12	2.50	11	293	122	12	2.95	4.8			671			280	7.1			0.95	GK59R39 GKF59R39 GKA59R39 GKAF59R39	4P					9.2	366	145.15	8.6			1.60			GK59 GKF59 GKA59 GKAF59	6P	5.4	590	246			7.6	1.05	6.2	516	215	8.1	1.20	6.9	460	192	8.3	1.35	8.0	398	166	8.6	1.55	9.2	348	145	8.7	1.80	10	309	129	8.9	2.00	12	266	111	9.0		2.35	14	233	97	9.1		2.70	8.5	394	104.37	5.2	1.00	GK49 GKF49 GKA49 GKAF49	6P	9.8	343	90.86	6.2	1.10	10	321	85.12		6.4	1.20	12	284	75.20		6.7	1.35	10	333	131.87	6.4	1.20	GK49 GKF49 GKA49 GKAF49	4P			11	307	121.48	6.6	1.30	13	263	104.37			7.0	1.50	15	229	90.86	7.2			1.70	GK49 GKF49 GKA49 GKAF49	4P	16	215	85.12	7.3	1.85	18	190	75.20	7.4	2.10	19	176	69.84	7.5	2.20	21	160	63.30	7.6	2.50										
1.1	3024	1261	38	1.50			1.2	2642	1102	38	1.70	1.4	2295	957	38	1.95	1.6	2050			855	38	2.20	1.8			1782	743	38	2.50	2.0	1561	651	38	2.90	2.3	1374	573	38	3.25	0.94	3393	1415	25	0.85	GK89R59 GKF89R59 GKA89R59 GKAF89R59	4P	4.9	685	134.74			18	2.20	GK79 GKF79 GKA79 GKAF79			8P	1.1	2947				1229	26		0.95	1.2	2585		1078	26	1.10	1.4	2280	951	27	1.25	1.6	2007	837	27	1.40	1.8	1741			726			27	1.60	2.1	1530	638	27	1.85	2.4	1348	562	27	2.10	2.8	1137	474	27	2.50	3.1	1021	426	27	2.75	3.6	894	373	27	3.15	1.6	1947	812	10	0.85	GK79R39 GKF79R39 GKA79R39 GKAF79R39	4P					6.9	483			191.40	19	3.00	GK79 GKF79 GKA79 GKAF79	4P		1.9	1693	706	14	0.95	2.1	1487	620	16	1.10	2.4	1319	550	16					1.20	2.8	1158	483	17	1.40	3.1	1021	426	18	1.60	3.6	878	366	18	1.85	4.1	782	326	18	2.05	4.6	693	289	18	2.30	5.3	602	251	19	2.70	6.0	528	220	19	3.05	6.9	465	194	19	3.45	7.6	417	174	19	3.85	8.7	367	153	19	4.40	3.2	1007	420	8.6	0.85							GK69R39 GKF69R39 GKA69R39 GKAF69R39	4P	7.2		467		123.85	12		1.70	GK69 GKF69 GKA69 GKAF69	6P	3.7			866	361	10			1.00	4.1	774	323	11	1.10	4.8	669	279	11	1.30	5.4	590	246	12	1.45	6.1	520	217	12	1.65	7.0	458	191	12	1.85	8.0	398	166	12	2.15	9.2	345	144	12	2.50	11	293	122			12			2.95	4.8			671							280	7.1	0.95	GK59R39 GKF59R39 GKA59R39 GKAF59R39			4P					9.2	366	145.15			8.6	1.60	GK59 GKF59 GKA59 GKAF59	6P	5.4	590	246	7.6	1.05	6.2	516	215	8.1	1.20	6.9	460	192	8.3	1.35	8.0	398	166	8.6	1.55	9.2	348	145	8.7	1.80	10	309		129	8.9	2.00	12	266		111	9.0	2.35	14	233	97	9.1		2.70	8.5	394	104.37	5.2	1.00	GK49 GKF49 GKA49 GKAF49	6P	9.8	343	90.86	6.2	1.10	10		321	85.12	6.4	1.20	12	284	75.20	6.7				1.35	10	333	131.87	6.4	1.20	GK49 GKF49 GKA49 GKAF49	4P			11	307	121.48	6.6	1.30	13	263	104.37	7.0			1.50	15	229	90.86	7.2	1.70	GK49 GKF49 GKA49 GKAF49	4P	16	215	85.12	7.3	1.85	18	190	75.20	7.4	2.10	19	176	69.84	7.5	2.20	21	160	63.30	7.6	2.50		
1.2	2642	1102	38	1.70			1.4	2295	957	38	1.95	1.6	2050	855	38	2.20	1.8	1782			743	38	2.50	2.0			1561	651	38	2.90	2.3	1374	573	38	3.25	0.94	3393	1415	25	0.85	GK89R59 GKF89R59 GKA89R59 GKAF89R59	4P	4.9	685	134.74			18	2.20	GK79 GKF79 GKA79 GKAF79			8P	1.1	2947				1229	26				0.95	1.2		2585	1078	26	1.10	1.4	2280	951	27	1.25	1.6	2007	837	27	1.40	1.8	1741	726	27	1.60			2.1			1530	638	27	1.85	2.4	1348	562	27	2.10	2.8	1137	474	27	2.50	3.1	1021	426	27	2.75	3.6	894	373	27	3.15	1.6	1947	812	10	0.85	GK79R39 GKF79R39 GKA79R39 GKAF79R39	4P	6.9							483	191.40			19	3.00	GK79 GKF79 GKA79 GKAF79	4P		1.9	1693	706	14	0.95	2.1	1487	620	16	1.10	2.4	1319	550	16	1.20					2.8	1158	483	17	1.40	3.1	1021	426	18	1.60	3.6	878	366	18	1.85	4.1	782	326	18	2.05	4.6	693	289	18	2.30	5.3	602	251	19	2.70	6.0	528	220	19	3.05	6.9	465	194	19	3.45	7.6	417	174	19	3.85	8.7	367	153	19	4.40	3.2	1007	420	8.6	0.85	GK69R39 GKF69R39 GKA69R39 GKAF69R39									4P	7.2	467		123.85	12		1.70	GK69 GKF69 GKA69 GKAF69		6P			3.7	866	361			10	1.00	4.1	774	323	11	1.10	4.8	669	279	11	1.30	5.4	590	246	12	1.45	6.1	520	217	12	1.65	7.0	458	191	12	1.85	8.0	398	166	12	2.15	9.2	345	144	12	2.50	11	293			122			12	2.95			4.8							671	280	7.1									0.95	GK59R39 GKF59R39 GKA59R39 GKAF59R39	4P			9.2	366			145.15	8.6	1.60	GK59 GKF59 GKA59 GKAF59	6P	5.4	590	246	7.6	1.05	6.2	516	215	8.1	1.20	6.9	460	192	8.3	1.35	8.0	398	166	8.6	1.55	9.2	348	145	8.7	1.80	10	309	129		8.9	2.00	12	266	111	9.0	2.35		14	233	97	9.1	2.70	8.5	394		104.37	5.2	1.00	GK49 GKF49 GKA49 GKAF49	6P	9.8	343	90.86	6.2	1.10	10	321	85.12	6.4	1.20				12	284	75.20	6.7	1.35	10	333				131.87	6.4	1.20	GK49 GKF49 GKA49 GKAF49	4P	11	307	121.48	6.6			1.30	13	263	104.37	7.0	1.50			15	229	90.86	7.2	1.70	GK49 GKF49 GKA49 GKAF49	4P	16	215	85.12	7.3	1.85	18	190	75.20	7.4	2.10	19	176	69.84	7.5	2.20
1.4	2295	957	38	1.95			1.6	2050	855	38	2.20	1.8	1782	743	38	2.50	2.0	1561			651	38	2.90	2.3			1374	573	38	3.25	0.94	3393	1415	25	0.85	GK89R59 GKF89R59 GKA89R59 GKAF89R59	4P	4.9	685	134.74			18	2.20	GK79 GKF79 GKA79 GKAF79			8P	1.1	2947				1229	26				0.95	1.2				2585	1078	26	1.10	1.4	2280	951	27	1.25	1.6	2007	837	27	1.40	1.8	1741	726	27	1.60	2.1	1530	638			27			1.85	2.4	1348	562	27	2.10	2.8	1137	474	27	2.50	3.1	1021	426	27	2.75	3.6	894	373	27	3.15	1.6	1947	812	10	0.85	GK79R39 GKF79R39 GKA79R39 GKAF79R39	4P	6.9			483							191.40	19			3.00	GK79 GKF79 GKA79 GKAF79	4P		1.9	1693	706	14	0.95	2.1	1487	620	16	1.10	2.4	1319	550	16	1.20	2.8					1158	483	17	1.40	3.1	1021	426	18	1.60	3.6	878	366	18	1.85	4.1	782	326	18	2.05	4.6	693	289	18	2.30	5.3	602	251	19	2.70	6.0	528	220	19	3.05	6.9	465	194	19	3.45	7.6	417	174	19	3.85	8.7	367	153	19	4.40	3.2	1007	420	8.6	0.85	GK69R39 GKF69R39 GKA69R39 GKAF69R39											4P	7.2	467	123.85	12		1.70	GK69 GKF69 GKA69 GKAF69					6P	3.7	866			361	10	1.00	4.1	774	323	11	1.10	4.8	669	279	11	1.30	5.4	590	246	12	1.45	6.1	520	217	12	1.65	7.0	458	191	12	1.85	8.0	398	166	12	2.15	9.2	345	144	12	2.50	11			293			122	12			2.95							4.8	671	280									7.1					0.95	GK59R39 GKF59R39 GKA59R39 GKAF59R39			4P	9.2	366			145.15	8.6	1.60	GK59 GKF59 GKA59 GKAF59	6P	5.4	590	246	7.6	1.05	6.2	516	215	8.1	1.20	6.9	460	192	8.3	1.35	8.0	398	166	8.6	1.55	9.2	348	145	8.7	1.80	10	309	129	8.9	2.00	12		266	111	9.0	2.35	14	233	97		9.1	2.70	8.5	394		104.37	5.2	1.00	GK49 GKF49 GKA49 GKAF49	6P	9.8	343	90.86	6.2	1.10	10			321	85.12	6.4	1.20	12	284	75.20				6.7	1.35	10	333		131.87	6.4	1.20	GK49 GKF49 GKA49 GKAF49			4P	11	307	121.48	6.6	1.30			13	263	104.37	7.0	1.50			15	229	90.86	7.2	1.70	GK49 GKF49 GKA49 GKAF49	4P	16	215	85.12	7.3	1.85	18	190	75.20
1.6	2050	855	38	2.20			1.8	1782	743	38	2.50	2.0	1561	651	38	2.90	2.3	1374			573	38	3.25	0.94	3393	1415	25	0.85	GK89R59 GKF89R59 GKA89R59 GKAF89R59	4P	4.9	685	134.74	18	2.20			GK79 GKF79 GKA79 GKAF79	8P	1.1			2947	1229	26				0.95	1.2				2585	1078				26	1.10	1.4			2280	951	27	1.25	1.6	2007	837	27	1.40	1.8	1741	726	27	1.60	2.1	1530	638	27	1.85	2.4	1348	562			27	2.10	2.8	1137	474	27	2.50	3.1	1021	426	27	2.75	3.6	894	373	27	3.15	1.6	1947	812	10	0.85	GK79R39 GKF79R39 GKA79R39 GKAF79R39	4P	6.9	483	191.40	19	3.00			GK79 GKF79 GKA79 GKAF79			4P							1.9	1693			706	14		0.95	2.1	1487	620	16	1.10	2.4	1319	550	16	1.20	2.8	1158	483	17	1.40	3.1					1021	426	18	1.60	3.6	878	366	18	1.85	4.1	782	326	18	2.05	4.6	693	289	18	2.30	5.3	602	251	19	2.70	6.0	528	220	19	3.05	6.9	465	194	19	3.45	7.6	417	174	19	3.85	8.7	367	153	19	4.40	3.2	1007	420	8.6	0.85	GK69R39 GKF69R39 GKA69R39 GKAF69R39	4P	7.2	467	123.85													12	1.70	GK69 GKF69 GKA69 GKAF69	6P	3.7	866	361			10	1.00		4.1	774			323	11	1.10	4.8	669	279	11	1.30	5.4	590	246	12	1.45	6.1	520	217	12	1.65	7.0	458	191	12	1.85	8.0	398	166	12	2.15	9.2	345	144	12	2.50	11	293	122	12	2.95	4.8			671			280	7.1			0.95							GK59R39 GKF59R39 GKA59R39 GKAF59R39	4P	9.2		366	145.15						8.6					1.60					GK59 GKF59 GKA59 GKAF59	6P			5.4	590	246			7.6	1.05	6.2	516	215	8.1	1.20	6.9	460	192	8.3	1.35	8.0	398	166	8.6	1.55	9.2	348	145	8.7	1.80	10	309	129	8.9	2.00	12	266	111	9.0	2.35	14	233	97	9.1	2.70	8.5	394		104.37	5.2	1.00	GK49 GKF49 GKA49 GKAF49		6P	9.8	343	90.86		6.2	1.10	10	321	85.12	6.4	1.20	12	284	75.20	6.7	1.35	10	333	131.87	6.4			1.20	GK49 GKF49 GKA49 GKAF49	4P	11		307	121.48	6.6	1.30				13	263	104.37	7.0	1.50			15	229	90.86	7.2	1.70			GK49 GKF49 GKA49 GKAF49	4P	16	215	85.12			7.3	1.85	18	190	75.20	7.4	2.10	19
1.8	1782	743	38	2.50			2.0	1561	651	38	2.90	2.3	1374	573	38	3.25	0.94	3393	1415	25	0.85	GK89R59 GKF89R59 GKA89R59 GKAF89R59	4P	4.9	685	134.74	18	2.20			GK79 GKF79 GKA79 GKAF79	8P	1.1	2947	1229			26		0.95			1.2	2585	1078				26	1.10				1.4	2280			951	27	1.25	1.6			2007	837	27	1.40	1.8	1741	726	27	1.60	2.1	1530	638	27	1.85	2.4	1348	562	27	2.10	2.8	1137	474	27	2.50	3.1	1021	426	27	2.75	3.6	894	373	27	3.15	1.6	1947	812	10	0.85	GK79R39 GKF79R39 GKA79R39 GKAF79R39	4P	6.9	483	191.40	19	3.00			GK79 GKF79 GKA79 GKAF79	4P	1.9	1693	706			14										0.95	2.1			1487	620	16	1.10	2.4	1319	550	16	1.20	2.8	1158	483	17	1.40	3.1	1021	426	18	1.60	3.6					878	366	18	1.85	4.1	782	326	18	2.05	4.6	693	289	18	2.30	5.3	602	251	19	2.70	6.0	528	220	19	3.05	6.9	465	194	19	3.45	7.6	417	174	19	3.85	8.7	367	153	19	4.40	3.2	1007	420	8.6	0.85	GK69R39 GKF69R39 GKA69R39 GKAF69R39	4P	7.2	467	123.85			12	1.70	GK69 GKF69 GKA69 GKAF69													6P	3.7	866		361	10	1.00	4.1		774	323		11	1.10	4.8	669	279	11	1.30	5.4	590	246	12	1.45	6.1	520	217	12	1.65	7.0	458	191	12	1.85	8.0	398	166	12	2.15	9.2	345	144	12	2.50	11	293	122	12	2.95	4.8	671	280	7.1	0.95	GK59R39 GKF59R39 GKA59R39 GKAF59R39			4P			9.2	366			145.15									8.6		1.60	GK59 GKF59 GKA59 GKAF59						6P			5.4	590	246									7.6	1.05	6.2			516	215	8.1	1.20	6.9	460	192	8.3	1.35	8.0	398	166	8.6	1.55	9.2	348	145	8.7	1.80	10	309	129	8.9	2.00	12	266	111	9.0	2.35	14	233	97	9.1	2.70	8.5	394	104.37	5.2	1.00	GK49 GKF49 GKA49 GKAF49	6P	9.8	343	90.86			6.2	1.10	10		321	85.12	6.4	1.20	12	284	75.20	6.7	1.35	10	333	131.87	6.4	1.20	GK49 GKF49 GKA49 GKAF49	4P	11	307	121.48	6.6		1.30	13	263	104.37	7.0	1.50				15	229	90.86	7.2	1.70			GK49 GKF49 GKA49 GKAF49	4P	16	215	85.12					7.3	1.85	18			190	75.20	7.4	2.10	19	176	69.84	7.5
2.0	1561	651	38	2.90																																																																																																																																																																																																																																																																																																																																																																																																																																												
2.3	1374	573	38	3.25	0.94	3393	1415	25	0.85	GK89R59 GKF89R59 GKA89R59 GKAF89R59	4P	4.9	685	134.74	18	2.20	GK79 GKF79 GKA79 GKAF79	8P	1.1	2947	1229			26	0.95	1.2	2585	1078			26		1.10	1.4	2280			951		27			1.25	1.6	2007			837	27	1.40			1.8	1741	726			27	1.60	2.1	1530			638	27	1.85	2.4	1348	562	27	2.10	2.8	1137	474	27	2.50	3.1	1021	426	27	2.75	3.6	894	373	27	3.15	1.6	1947	812	10	0.85	GK79R39 GKF79R39 GKA79R39 GKAF79R39	4P	6.9	483	191.40	19	3.00	GK79 GKF79 GKA79 GKAF79	4P	1.9	1693			706	14	0.95	2.1	1487			620	16	1.10	2.4	1319			550			16							1.20	2.8			1158	483	17	1.40	3.1	1021	426	18	1.60	3.6	878	366	18	1.85	4.1	782	326	18	2.05	4.6					693	289	18	2.30	5.3	602	251	19	2.70	6.0	528	220	19	3.05	6.9	465	194	19	3.45	7.6	417	174	19	3.85	8.7	367	153	19	4.40	3.2	1007	420	8.6	0.85	GK69R39 GKF69R39 GKA69R39 GKAF69R39	4P	7.2	467	123.85	12	1.70	GK69 GKF69 GKA69 GKAF69	6P	3.7			866	361	10			1.00	4.1	774														323	11		1.10	4.8	669	279	11	1.30	5.4	590	246	12	1.45	6.1	520	217	12	1.65	7.0	458	191	12	1.85	8.0	398	166	12	2.15	9.2	345	144	12	2.50	11	293	122	12	2.95	4.8	671	280	7.1	0.95	GK59R39 GKF59R39 GKA59R39 GKAF59R39	4P	9.2	366	145.15	8.6	1.60	GK59 GKF59 GKA59 GKAF59	6P							5.4	590			246									7.6		1.05										6.2	516	215									8.1	1.20	6.9			460	192	8.3	1.35	8.0	398	166	8.6	1.55	9.2	348	145	8.7	1.80	10	309	129	8.9	2.00	12	266	111	9.0	2.35	14	233	97	9.1	2.70	8.5	394	104.37	5.2	1.00	GK49 GKF49 GKA49 GKAF49	6P	9.8	343	90.86	6.2		1.10	10	321	85.12		6.4	1.20	12	284	75.20	6.7	1.35	10	333	131.87	6.4	1.20	GK49 GKF49 GKA49 GKAF49	4P	11	307	121.48	6.6	1.30		13	263	104.37	7.0	1.50	15	229	90.86	7.2	1.70	GK49 GKF49 GKA49 GKAF49	4P	16	215	85.12	7.3	1.85	18	190	75.20	7.4			2.10	19	176					69.84	7.5	2.20			21	160	63.30	7.6	2.50			
0.94	3393	1415	25	0.85	GK89R59 GKF89R59 GKA89R59 GKAF89R59	4P	4.9	685	134.74			18	2.20	GK79 GKF79 GKA79 GKAF79	8P																																																																																																																																																																																																																																																																																																																																																																																																																																	
1.1	2947	1229	26	0.95			1.2	2585	1078			26	1.10	1.4		2280	951		27	1.25	1.6			2007	837	27	1.40	1.8			1741	726	27	1.60	2.1			1530	638	27			1.85	2.4	1348			562	27	2.10			2.8	1137	474	27	2.50	3.1	1021	426	27	2.75	3.6	894	373	27	3.15	1.6	1947	812	10	0.85	GK79R39 GKF79R39 GKA79R39 GKAF79R39	4P	6.9	483	191.40	19	3.00	GK79 GKF79 GKA79 GKAF79	4P	1.9	1693	706	14	0.95	2.1	1487	620	16	1.10			2.4	1319	550	16	1.20	2.8	1158	483	17			1.40	3.1	1021	426	18			1.60	3.6	878	366	18			1.85			4.1							782	326			18	2.05	4.6	693	289	18	2.30	5.3	602	251	19	2.70	6.0	528	220	19	3.05	6.9	465	194	19	3.45	7.6	417	174	19	3.85	8.7	367	153	19	4.40	3.2	1007	420	8.6	0.85	GK69R39 GKF69R39 GKA69R39 GKAF69R39	4P	7.2	467	123.85	12	1.70	GK69 GKF69 GKA69 GKAF69	6P	3.7	866	361	10	1.00	4.1	774	323	11	1.10	4.8	669			279	11	1.30	5.4	590	246		12			1.45	6.1	520			217	12	1.65			7.0	458	191	12							1.85	8.0	398	166	12	2.15	9.2	345	144	12	2.50	11	293	122	12	2.95	4.8	671	280	7.1	0.95	GK59R39 GKF59R39 GKA59R39 GKAF59R39	4P	9.2	366	145.15	8.6	1.60	GK59 GKF59 GKA59 GKAF59	6P	5.4	590	246	7.6	1.05	6.2	516	215	8.1	1.20	6.9	460	192	8.3	1.35			8.0	398	166	8.6	1.55									9.2	348	145	8.7	1.80			10	309	129	8.9			2.00		12			266	111						9.0	2.35	14									233	97	9.1			2.70	8.5	394	104.37	5.2	1.00	GK49 GKF49 GKA49 GKAF49	6P	9.8	343	90.86	6.2	1.10	10	321	85.12	6.4	1.20	12	284	75.20	6.7	1.35	10	333	131.87	6.4	1.20	GK49 GKF49 GKA49 GKAF49	4P	11	307	121.48	6.6	1.30		13	263	104.37	7.0	1.50	15	229	90.86	7.2	1.70	GK49 GKF49 GKA49 GKAF49	4P	16	215	85.12	7.3	1.85	18	190	75.20	7.4	2.10	19		176	69.84	7.5	2.20	21	160	63.30	7.6	2.50																																								
1.2	2585	1078	26	1.10			1.4	2280	951			27	1.25	1.6		2007	837		27	1.40	1.8			1741	726	27	1.60	2.1			1530	638	27	1.85	2.4			1348	562	27			2.10	2.8	1137			474	27	2.50	3.1	1021	426	27	2.75	3.6	894	373	27	3.15	1.6	1947	812	10	0.85	GK79R39 GKF79R39 GKA79R39 GKAF79R39	4P	6.9	483	191.40	19	3.00			GK79 GKF79 GKA79 GKAF79	4P	1.9	1693	706	14		0.95	2.1	1487	620	16	1.10	2.4	1319	550	16			1.20	2.8	1158	483	17	1.40	3.1	1021	426			18	1.60	3.6	878	366			18	1.85	4.1	782	326			18			2.05							4.6	693			289	18	2.30	5.3	602	251	19	2.70	6.0	528	220	19	3.05	6.9	465	194	19	3.45	7.6	417	174	19	3.85	8.7	367	153	19	4.40	3.2	1007	420	8.6	0.85	GK69R39 GKF69R39 GKA69R39 GKAF69R39	4P	7.2	467			123.85	12	1.70	GK69 GKF69 GKA69 GKAF69	6P	3.7		866	361	10	1.00	4.1	774	323	11	1.10	4.8	669	279			11	1.30	5.4	590	246	12		1.45			6.1	520	217			12	1.65	7.0			458	191	12	1.85	8.0	398					166	12	2.15	9.2	345	144	12	2.50	11	293	122	12	2.95	4.8	671	280	7.1	0.95	GK59R39 GKF59R39 GKA59R39 GKAF59R39	4P	9.2			366	145.15	8.6	1.60	GK59 GKF59 GKA59 GKAF59			6P	5.4	590	246	7.6	1.05	6.2	516	215	8.1	1.20	6.9	460	192	8.3			1.35	8.0	398	166	8.6									1.55	9.2	348	145	8.7			1.80	10	309	129			8.9		2.00			12	266	111	9.0				2.35	14	233									97	9.1	2.70			8.5	394	104.37	5.2	1.00	GK49 GKF49 GKA49 GKAF49	6P		9.8	343	90.86	6.2	1.10	10	321	85.12	6.4	1.20	12	284	75.20	6.7	1.35	10	333	131.87	6.4	1.20	GK49 GKF49 GKA49 GKAF49		4P	11	307	121.48	6.6		1.30	13	263	104.37	7.0	1.50	15	229	90.86	7.2			1.70	GK49 GKF49 GKA49 GKAF49	4P	16	215	85.12	7.3	1.85	18	190	75.20	7.4	2.10	19	176	69.84	7.5	2.20	21	160	63.30	7.6	2.50																																						
1.4	2280	951	27	1.25																																																																																																																																																																																																																																																																																																																																																																																																																																												
1.6	2007	837	27	1.40			1.8	1741	726			27	1.60	2.1	1530	638	27	1.85	2.4	1348	562			27	2.10	2.8	1137	474			27	2.50	3.1	1021	426			27	2.75	3.6	894	373	27	3.15	1.6	1947	812	10	0.85	GK79R39 GKF79R39 GKA79R39 GKAF79R39	4P	6.9	483	191.40	19	3.00	GK79 GKF79 GKA79 GKAF79	4P	1.9	1693	706	14	0.95	2.1	1487			620	16	1.10	2.4	1319			550	16	1.20	2.8	1158	483	17	1.40	3.1	1021	426	18	1.60	3.6	878	366	18			1.85	4.1	782	326	18	2.05	4.6	693	289			18	2.30	5.3	602	251			19	2.70	6.0	528	220			19			3.05							6.9	465	194	19	3.45	7.6	417	174	19	3.85	8.7	367	153	19	4.40	3.2	1007	420	8.6	0.85	GK69R39 GKF69R39 GKA69R39 GKAF69R39	4P	7.2	467	123.85	12	1.70	GK69 GKF69 GKA69 GKAF69	6P	3.7	866	361	10	1.00	4.1	774	323			11	1.10			4.8	669	279	11		1.30		5.4	590	246	12	1.45	6.1	520	217	12	1.65	7.0	458			191	12	1.85	8.0	398	166	12	2.15			9.2	345	144			12	2.50	11		293	122	12	2.95	4.8	671	280	7.1	0.95	GK59R39 GKF59R39 GKA59R39 GKAF59R39		4P	9.2	366	145.15	8.6	1.60	GK59 GKF59 GKA59 GKAF59	6P	5.4	590	246	7.6	1.05	6.2	516	215	8.1	1.20			6.9			460	192	8.3	1.35					8.0	398	166	8.6	1.55	9.2	348	145	8.7	1.80	10	309	129	8.9			2.00	12	266	111	9.0				2.35	14				233	97	9.1	2.70	8.5			394	104.37	5.2	1.00			GK49 GKF49 GKA49 GKAF49		6P			9.8	343	90.86	6.2				1.10	10	321		85.12	6.4				1.20	12	284	75.20	6.7			1.35	10	333	131.87	6.4	1.20			GK49 GKF49 GKA49 GKAF49	4P	11	307	121.48	6.6	1.30	13	263	104.37	7.0	1.50	15	229	90.86	7.2	1.70	GK49 GKF49 GKA49 GKAF49	4P	16	215	85.12		7.3	1.85	18	190	75.20	7.4	2.10	19	176	69.84	7.5	2.20	21	160	63.30			7.6			2.50																																																									
1.8	1741	726	27	1.60			2.1	1530	638			27	1.85	2.4	1348	562	27	2.10	2.8	1137	474			27	2.50	3.1	1021	426			27	2.75	3.6	894	373	27	3.15	1.6	1947	812	10	0.85	GK79R39 GKF79R39 GKA79R39 GKAF79R39	4P	6.9	483	191.40	19	3.00			GK79 GKF79 GKA79 GKAF79	4P	1.9	1693	706	14		0.95	2.1	1487	620	16	1.10	2.4			1319	550	16	1.20	2.8			1158	483	17	1.40	3.1	1021	426	18	1.60	3.6	878	366	18	1.85	4.1	782	326			18	2.05	4.6	693	289	18	2.30	5.3	602			251	19	2.70	6.0	528			220	19	3.05	6.9	465			194			19					3.45	7.6	417	174	19	3.85	8.7	367	153	19	4.40	3.2	1007	420	8.6	0.85	GK69R39 GKF69R39 GKA69R39 GKAF69R39	4P	7.2	467	123.85	12			1.70	GK69 GKF69 GKA69 GKAF69	6P	3.7	866	361		10	1.00	4.1	774	323	11	1.10	4.8			669	279			11	1.30	5.4	590		246	12	1.45	6.1	520	217	12	1.65	7.0	458	191	12	1.85	8.0			398	166	12	2.15	9.2	345	144	12			2.50	11	293			122	12	2.95	4.8	671	280	7.1	0.95	GK59R39 GKF59R39 GKA59R39 GKAF59R39	4P	9.2	366	145.15		8.6		1.60	GK59 GKF59 GKA59 GKAF59	6P	5.4	590			246	7.6	1.05	6.2	516	215	8.1	1.20	6.9	460			192			8.3	1.35	8.0	398					166	8.6	1.55	9.2	348	145	8.7	1.80	10	309	129	8.9	2.00	12			266	111	9.0	2.35	14				233	97		9.1	2.70	8.5	394	104.37	5.2	1.00			GK49 GKF49 GKA49 GKAF49	6P	9.8	343			90.86					6.2	1.10	10	321				85.12	6.4	1.20		12	284				75.20	6.7	1.35	10	333	131.87	6.4	1.20	GK49 GKF49 GKA49 GKAF49	4P	11	307	121.48		6.6	1.30		13	263	104.37	7.0	1.50	15	229	90.86	7.2	1.70	GK49 GKF49 GKA49 GKAF49	4P	16	215	85.12			7.3	1.85	18	190	75.20	7.4	2.10	19	176	69.84	7.5	2.20	21	160	63.30	7.6	2.50																																																																	
2.1	1530	638	27	1.85			2.4	1348	562			27	2.10	2.8	1137	474	27	2.50	3.1	1021	426			27	2.75	3.6	894	373	27	3.15	1.6	1947	812	10	0.85	GK79R39 GKF79R39 GKA79R39 GKAF79R39	4P	6.9	483	191.40	19	3.00			GK79 GKF79 GKA79 GKAF79	4P	1.9	1693	706			14		0.95	2.1	1487	620	16	1.10	2.4	1319	550	16	1.20	2.8			1158	483	17	1.40	3.1			1021	426	18	1.60	3.6	878	366	18	1.85	4.1	782	326	18	2.05	4.6	693	289			18	2.30	5.3	602	251	19	2.70	6.0	528			220	19	3.05	6.9	465			194	19	3.45	7.6	417			174			19			3.85	8.7	367	153	19	4.40	3.2	1007	420	8.6	0.85	GK69R39 GKF69R39 GKA69R39 GKAF69R39	4P	7.2	467	123.85	12	1.70			GK69 GKF69 GKA69 GKAF69	6P	3.7	866			361	10		1.00	4.1	774		323	11	1.10	4.8	669	279	11	1.30			5.4	590			246	12	1.45	6.1	520	217	12	1.65	7.0	458	191	12	1.85	8.0	398	166	12	2.15	9.2			345	144	12	2.50	11	293	122	12			2.95	4.8	671	280	7.1	0.95	GK59R39 GKF59R39 GKA59R39 GKAF59R39	4P	9.2	366	145.15	8.6	1.60			GK59 GKF59 GKA59 GKAF59	6P	5.4		590		246			7.6	1.05			6.2	516	215	8.1	1.20	6.9	460	192	8.3	1.35			8.0			398	166	8.6	1.55					9.2	348	145	8.7	1.80	10	309	129	8.9	2.00	12	266	111	9.0			2.35	14	233	97	9.1				2.70	8.5		394	104.37	5.2	1.00	GK49 GKF49 GKA49 GKAF49	6P	9.8	343	90.86	6.2		1.10	10			321					85.12	6.4	1.20	12				284	75.20	6.7		1.35	10		333	131.87	6.4	1.20	GK49 GKF49 GKA49 GKAF49	4P	11	307	121.48	6.6	1.30		13	263	104.37	7.0	1.50	15		229	90.86	7.2	1.70	GK49 GKF49 GKA49 GKAF49	4P	16	215	85.12	7.3			1.85	18	190			75.20	7.4	2.10	19	176	69.84	7.5	2.20	21	160	63.30	7.6	2.50																																																																					
2.4	1348	562	27	2.10			2.8	1137	474			27	2.50	3.1	1021	426	27	2.75	3.6	894	373	27	3.15	1.6	1947	812	10	0.85	GK79R39 GKF79R39 GKA79R39 GKAF79R39	4P	6.9	483	191.40	19	3.00			GK79 GKF79 GKA79 GKAF79	4P	1.9	1693	706			14		0.95	2.1	1487			620	16	1.10	2.4	1319	550	16	1.20	2.8	1158	483	17	1.40	3.1			1021	426	18	1.60	3.6			878	366	18	1.85	4.1	782	326	18	2.05	4.6	693	289	18	2.30	5.3	602	251			19	2.70	6.0	528	220	19	3.05	6.9	465			194	19	3.45	7.6	417			174	19	3.85	8.7	367			153			19	4.40	3.2	1007	420	8.6	0.85	GK69R39 GKF69R39 GKA69R39 GKAF69R39	4P	7.2	467	123.85	12	1.70			GK69 GKF69 GKA69 GKAF69	6P	3.7	866	361			10		1.00	4.1			774	323		11	1.10	4.8		669	279	11	1.30	5.4	590	246	12			1.45	6.1			520	217	12	1.65	7.0	458	191	12	1.85	8.0	398	166	12	2.15	9.2	345	144	12	2.50			11	293	122	12	2.95	4.8	671	280	7.1	0.95	GK59R39 GKF59R39 GKA59R39 GKAF59R39	4P	9.2	366	145.15	8.6			1.60	GK59 GKF59 GKA59 GKAF59	6P	5.4	590					246		7.6		1.05			6.2	516			215	8.1	1.20	6.9	460	192	8.3	1.35	8.0	398			166			8.6	1.55	9.2	348					145	8.7	1.80	10	309	129	8.9	2.00	12	266	111	9.0	2.35	14			233	97	9.1	2.70	8.5				394	104.37		5.2	1.00	GK49 GKF49 GKA49 GKAF49	6P	9.8		343	90.86	6.2	1.10		10	321			85.12	6.4		1.20	12	284	75.20	6.7	1.35	10			333	131.87	6.4		1.20	GK49 GKF49 GKA49 GKAF49		4P	11	307	121.48	6.6		1.30	13	263	104.37	7.0		1.50	15	229	90.86	7.2	1.70	GK49 GKF49 GKA49 GKAF49	4P	16	215	85.12			7.3	1.85	18	190			75.20	7.4	2.10			19	176	69.84	7.5	2.20	21	160	63.30	7.6	2.50																																																																								
2.8	1137	474	27	2.50			3.1	1021	426			27	2.75	3.6	894	373	27	3.15	1.6	1947	812	10	0.85	GK79R39 GKF79R39 GKA79R39 GKAF79R39	4P	6.9	483	191.40			19	3.00	GK79 GKF79 GKA79 GKAF79	4P	1.9			1693		706	14	0.95			2.1	1487	620	16	1.10			2.4	1319	550	16	1.20	2.8	1158	483	17	1.40	3.1	1021	426	18			1.60	3.6	878	366	18			1.85	4.1	782	326	18	2.05	4.6	693	289	18	2.30	5.3	602	251	19	2.70	6.0			528	220	19	3.05	6.9	465	194	19	3.45			7.6	417	174	19	3.85			8.7	367	153	19	4.40			3.2	1007	420	8.6	0.85	GK69R39 GKF69R39 GKA69R39 GKAF69R39	4P	7.2	467	123.85			12	1.70	GK69 GKF69 GKA69 GKAF69	6P	3.7			866		361	10	1.00			4.1		774	323			11	1.10		4.8	669	279	11	1.30	5.4	590	246	12	1.45	6.1	520			217	12			1.65	7.0	458	191	12	1.85	8.0	398	166	12	2.15	9.2	345	144	12	2.50	11	293	122			12	2.95	4.8	671	280	7.1	0.95	GK59R39 GKF59R39 GKA59R39 GKAF59R39	4P	9.2			366	145.15	8.6	1.60			GK59 GKF59 GKA59 GKAF59			6P	5.4					590		246		7.6			1.05	6.2			516	215	8.1	1.20	6.9	460	192	8.3	1.35	8.0			398			166	8.6	1.55	9.2					348	145	8.7	1.80	10	309	129	8.9	2.00	12	266	111	9.0	2.35			14	233	97	9.1	2.70				8.5	394		104.37	5.2	1.00		GK49 GKF49 GKA49 GKAF49		6P	9.8	343	90.86		6.2	1.10			10	321	85.12	6.4	1.20	12	284	75.20	6.7	1.35	10	333	131.87	6.4	1.20		GK49 GKF49 GKA49 GKAF49	4P			11	307	121.48	6.6		1.30	13	263	104.37	7.0	1.50	15	229	90.86	7.2	1.70	GK49 GKF49 GKA49 GKAF49			4P	16	215			85.12	7.3	1.85	18			190	75.20	7.4			2.10	19	176	69.84	7.5	2.20	21	160	63.30	7.6	2.50																																																																							
3.1	1021	426	27	2.75																																																																																																																																																																																																																																																																																																																																																																																																																																												
3.6	894	373	27	3.15	1.6	1947	812	10	0.85	GK79R39 GKF79R39 GKA79R39 GKAF79R39	4P	6.9	483	191.40	19	3.00	GK79 GKF79 GKA79 GKAF79	4P	1.9	1693	706	14	0.95			2.1	1487	620			16	1.10	2.4	1319	550			16	1.20	2.8	1158	483			17	1.40	3.1	1021	426			18	1.60	3.6	878	366	18	1.85	4.1	782	326	18	2.05	4.6	693			289	18	2.30	5.3	602			251	19	2.70	6.0	528	220	19	3.05	6.9	465	194	19	3.45	7.6	417	174	19			3.85	8.7	367	153	19	4.40	3.2	1007	420			8.6	0.85	GK69R39 GKF69R39 GKA69R39 GKAF69R39	4P	7.2	467	123.85	12	1.70	GK69 GKF69 GKA69 GKAF69	6P	3.7	866	361	10	1.00	4.1	774	323			11	1.10	4.8			669	279	11		1.30			5.4		590	246	12			1.45	6.1	520	217			12	1.65	7.0	458	191	12	1.85	8.0	398	166	12	2.15	9.2	345	144			12	2.50			11	293	122	12	2.95	4.8	671	280	7.1	0.95	GK59R39 GKF59R39 GKA59R39 GKAF59R39	4P	9.2	366	145.15	8.6	1.60	GK59 GKF59 GKA59 GKAF59	6P	5.4	590	246	7.6	1.05	6.2	516	215	8.1			1.20			6.9	460	192	8.3							1.35					8.0		398		166			8.6	1.55			9.2	348	145	8.7	1.80	10	309	129	8.9	2.00			12			266	111	9.0	2.35					14	233	97	9.1	2.70	8.5	394	104.37	5.2	1.00	GK49 GKF49 GKA49 GKAF49	6P	9.8	343			90.86	6.2	1.10	10	321	85.12	6.4		1.20	12		284	75.20	6.7		1.35	10		333	131.87	6.4	1.20	GK49 GKF49 GKA49 GKAF49	4P	11	307	121.48	6.6	1.30	13	263	104.37	7.0	1.50	15	229	90.86	7.2	1.70	GK49 GKF49 GKA49 GKAF49	4P	16	215		85.12	7.3	1.85	18	190	75.20	7.4	2.10	19	176	69.84	7.5	2.20	21	160	63.30	7.6	2.50																																																																																																					
1.6	1947	812	10	0.85	GK79R39 GKF79R39 GKA79R39 GKAF79R39	4P	6.9	483	191.40			19	3.00	GK79 GKF79 GKA79 GKAF79	4P																																																																																																																																																																																																																																																																																																																																																																																																																																	
1.9	1693	706	14	0.95			2.1	1487	620			16	1.10	2.4		1319	550	16	1.20	2.8	1158	483	17			1.40	3.1	1021			426	18	1.60	3.6	878			366	18	1.85	4.1	782			326	18	2.05	4.6	693			289	18	2.30	5.3	602	251	19	2.70	6.0	528	220	19	3.05	6.9			465	194	19	3.45	7.6			417	174	19	3.85	8.7	367	153	19	4.40	3.2	1007	420	8.6	0.85	GK69R39 GKF69R39 GKA69R39 GKAF69R39	4P	7.2			467	123.85	12	1.70	GK69 GKF69 GKA69 GKAF69	6P	3.7	866	361	10	1.00	4.1	774			323	11	1.10	4.8	669	279		11	1.30	5.4	590	246	12	1.45	6.1			520	217	12			1.65	7.0	458	191	12			1.85	8.0	398	166	12			2.15	9.2	345	144			12	2.50	11	293	122	12	2.95	4.8	671	280	7.1	0.95	GK59R39 GKF59R39 GKA59R39 GKAF59R39	4P	9.2	366	145.15	8.6	1.60	GK59 GKF59 GKA59 GKAF59	6P	5.4	590	246	7.6	1.05	6.2	516	215	8.1	1.20			6.9	460	192	8.3	1.35			8.0	398	166	8.6	1.55	9.2	348	145	8.7			1.80			10	309	129	8.9							2.00					12		266		111			9.0	2.35			14	233	97	9.1	2.70	8.5	394	104.37	5.2	1.00			GK49 GKF49 GKA49 GKAF49			6P	9.8	343	90.86	6.2	1.10	10	321	85.12	6.4	1.20	12	284	75.20	6.7	1.35	10	333	131.87		6.4	1.20			GK49 GKF49 GKA49 GKAF49	4P	11	307	121.48	6.6	1.30	13	263	104.37	7.0	1.50	15	229	90.86	7.2	1.70	GK49 GKF49 GKA49 GKAF49	4P	16	215	85.12	7.3		1.85	18	190	75.20	7.4	2.10	19	176	69.84	7.5	2.20	21	160	63.30	7.6			2.50																																																																																																																									
2.1	1487	620	16	1.10			2.4	1319	550			16	1.20	2.8	1158	483	17	1.40	3.1	1021	426	18	1.60			3.6	878	366			18	1.85	4.1	782	326			18	2.05	4.6	693	289			18	2.30	5.3	602	251			19	2.70	6.0	528	220	19	3.05	6.9	465	194	19	3.45	7.6	417			174	19	3.85	8.7	367			153	19	4.40	3.2	1007	420	8.6	0.85	GK69R39 GKF69R39 GKA69R39 GKAF69R39	4P	7.2	467	123.85	12			1.70	GK69 GKF69 GKA69 GKAF69	6P	3.7	866	361	10	1.00		4.1	774	323	11	1.10	4.8	669			279	11	1.30	5.4	590	246		12	1.45	6.1	520	217	12	1.65	7.0			458	191	12			1.85	8.0	398	166	12			2.15	9.2	345	144	12			2.50	11	293	122			12	2.95	4.8	671	280	7.1	0.95	GK59R39 GKF59R39 GKA59R39 GKAF59R39	4P	9.2	366	145.15			8.6	1.60	GK59 GKF59 GKA59 GKAF59	6P	5.4			590	246	7.6	1.05	6.2	516	215	8.1	1.20	6.9			460	192	8.3	1.35	8.0			398	166	8.6	1.55	9.2	348	145	8.7	1.80			10			309	129	8.9	2.00							12					266		111		9.0			2.35	14			233	97	9.1	2.70	8.5	394	104.37	5.2	1.00	GK49 GKF49 GKA49 GKAF49			6P				9.8	343	90.86	6.2	1.10	10	321	85.12	6.4	1.20	12	284	75.20	6.7	1.35	10	333	131.87		6.4	1.20	GK49 GKF49 GKA49 GKAF49	4P	11		307	121.48	6.6	1.30	13	263	104.37	7.0	1.50	15	229	90.86	7.2	1.70	GK49 GKF49 GKA49 GKAF49			4P	16	215	85.12	7.3	1.85	18	190	75.20	7.4	2.10	19	176	69.84	7.5	2.20	21	160	63.30	7.6			2.50																																																																																																																									
2.4	1319	550	16	1.20			2.8	1158	483			17	1.40	3.1	1021	426	18	1.60	3.6	878	366	18	1.85			4.1	782	326			18	2.05	4.6	693	289			18	2.30	5.3	602	251			19	2.70	6.0	528	220			19	3.05	6.9	465	194	19	3.45	7.6	417	174	19	3.85	8.7	367			153	19	4.40	3.2	1007			420	8.6	0.85	GK69R39 GKF69R39 GKA69R39 GKAF69R39	4P	7.2	467	123.85			12	1.70	GK69 GKF69 GKA69 GKAF69	6P			3.7	866		361	10	1.00	4.1	774		323	11	1.10	4.8	669	279	11			1.30	5.4	590	246	12	1.45	6.1	520	217	12	1.65	7.0	458	191	12			1.85	8.0	398			166	12	2.15	9.2	345			144	12	2.50	11	293			122	12	2.95	4.8	671	280	7.1	0.95	GK59R39 GKF59R39 GKA59R39 GKAF59R39	4P	9.2	366	145.15			8.6	1.60	GK59 GKF59 GKA59 GKAF59			6P	5.4			590			246	7.6	1.05	6.2	516	215	8.1	1.20	6.9	460			192	8.3	1.35	8.0	398			166	8.6	1.55	9.2	348	145	8.7	1.80	10			309			129	8.9	2.00	12							266					111		9.0		2.35			14	233	97	9.1	2.70	8.5	394	104.37	5.2	1.00	GK49 GKF49 GKA49 GKAF49	6P	9.8	343							90.86	6.2	1.10	10	321	85.12	6.4	1.20	12	284	75.20	6.7	1.35	10	333	131.87	6.4	1.20	GK49 GKF49 GKA49 GKAF49	4P	11	307		121.48		6.6	1.30	13	263	104.37	7.0	1.50	15	229	90.86	7.2	1.70	GK49 GKF49 GKA49 GKAF49	4P					16	215	85.12	7.3	1.85	18	190	75.20	7.4	2.10	19	176	69.84	7.5	2.20	21	160	63.30	7.6			2.50																																																																																																																									
2.8	1158	483	17	1.40			3.1	1021	426			18	1.60	3.6	878	366	18	1.85	4.1	782	326	18	2.05			4.6	693	289			18	2.30	5.3	602	251			19	2.70	6.0	528	220			19	3.05	6.9	465	194			19	3.45	7.6	417	174	19	3.85	8.7	367	153	19	4.40	3.2	1007			420	8.6	0.85	GK69R39 GKF69R39 GKA69R39 GKAF69R39	4P	7.2	467	123.85	12	1.70			GK69 GKF69 GKA69 GKAF69	6P	3.7			866	361	10				1.00	4.1		774	323	11	1.10	4.8		669	279	11	1.30	5.4	590	246			12	1.45	6.1	520	217	12	1.65	7.0	458	191	12	1.85	8.0	398	166			12	2.15	9.2			345	144	12	2.50	11			293	122	12	2.95	4.8	671	280	7.1	0.95	GK59R39 GKF59R39 GKA59R39 GKAF59R39	4P	9.2	366	145.15	8.6			1.60	GK59 GKF59 GKA59 GKAF59	6P			5.4	590					246			7.6			1.05	6.2	516	215	8.1	1.20	6.9	460	192	8.3			1.35	8.0	398	166	8.6			1.55	9.2	348	145	8.7	1.80	10	309	129			8.9			2.00	12	266	111							9.0					2.35		14		233	97	9.1	2.70	8.5	394	104.37	5.2	1.00	GK49 GKF49 GKA49 GKAF49	6P	9.8	343	90.86		6.2	1.10				10	321		85.12	6.4	1.20	12	284	75.20	6.7	1.35	10	333	131.87	6.4	1.20	GK49 GKF49 GKA49 GKAF49	4P	11	307	121.48	6.6		1.30	13		263	104.37	7.0	1.50	15	229	90.86	7.2	1.70	GK49 GKF49 GKA49 GKAF49	4P	16	215	85.12							7.3	1.85	18	190	75.20	7.4	2.10	19	176	69.84	7.5	2.20	21	160	63.30	7.6	2.50																																																																																																																														
3.1	1021	426	18	1.60			3.6	878	366			18	1.85	4.1	782	326	18	2.05	4.6	693	289	18	2.30			5.3	602	251			19	2.70	6.0	528	220			19	3.05	6.9	465	194			19	3.45	7.6	417	174			19	3.85	8.7	367	153	19	4.40	3.2	1007	420	8.6	0.85	GK69R39 GKF69R39 GKA69R39 GKAF69R39	4P	7.2	467	123.85	12	1.70			GK69 GKF69 GKA69 GKAF69	6P	3.7	866	361			10		1.00			4.1	774	323				11	1.10		4.8	669	279	11	1.30	5.4	590	246	12	1.45	6.1	520	217			12	1.65	7.0	458	191	12	1.85	8.0	398	166	12	2.15	9.2	345	144			12	2.50	11			293	122	12	2.95	4.8	671	280	7.1	0.95	GK59R39 GKF59R39 GKA59R39 GKAF59R39	4P	9.2	366	145.15	8.6	1.60			GK59 GKF59 GKA59 GKAF59	6P	5.4	590			246					7.6	1.05					6.2			516			215	8.1	1.20	6.9	460	192	8.3	1.35	8.0	398			166	8.6	1.55	9.2	348			145	8.7	1.80	10	309	129	8.9	2.00	12			266			111	9.0	2.35	14							233			97	9.1	2.70		8.5		394	104.37	5.2	1.00	GK49 GKF49 GKA49 GKAF49	6P	9.8	343	90.86	6.2		1.10	10	321		85.12	6.4	1.20	12		284	75.20	6.7	1.35	10	333	131.87	6.4	1.20	GK49 GKF49 GKA49 GKAF49	4P	11	307	121.48	6.6	1.30	13		263	104.37	7.0	1.50		15	229	90.86	7.2	1.70	GK49 GKF49 GKA49 GKAF49	4P	16	215	85.12	7.3	1.85			18	190	75.20							7.4	2.10	19	176	69.84	7.5	2.20	21	160	63.30	7.6	2.50																																																																																																																																			
3.6	878	366	18	1.85			4.1	782	326			18	2.05	4.6	693	289	18	2.30	5.3	602	251	19	2.70			6.0	528	220			19	3.05	6.9	465	194			19	3.45	7.6	417	174			19	3.85	8.7	367	153			19	4.40	3.2	1007	420	8.6	0.85	GK69R39 GKF69R39 GKA69R39 GKAF69R39	4P	7.2	467	123.85			12	1.70	GK69 GKF69 GKA69 GKAF69	6P	3.7			866		361	10	1.00			4.1		774			323	11	1.10				4.8	669	279	11	1.30	5.4	590	246	12	1.45	6.1	520	217	12	1.65	7.0			458	191	12	1.85	8.0	398	166	12	2.15	9.2	345	144	12	2.50	11			293	122	12	2.95	4.8	671	280	7.1	0.95	GK59R39 GKF59R39 GKA59R39 GKAF59R39	4P	9.2	366	145.15			8.6	1.60	GK59 GKF59 GKA59 GKAF59	6P	5.4					590	246			7.6					1.05	6.2					516			215			8.1	1.20	6.9	460	192	8.3	1.35	8.0	398	166			8.6	1.55	9.2	348	145			8.7	1.80	10	309	129	8.9	2.00	12	266			111			9.0	2.35	14	233				97	9.1		2.70			8.5	394	104.37		5.2		1.00	GK49 GKF49 GKA49 GKAF49	6P	9.8	343		90.86	6.2	1.10	10		321	85.12	6.4		1.20	12	284	75.20	6.7	1.35	10	333	131.87	6.4	1.20	GK49 GKF49 GKA49 GKAF49	4P	11	307		121.48	6.6	1.30	13	263	104.37		7.0	1.50	15	229	90.86	7.2	1.70	GK49 GKF49 GKA49 GKAF49	4P	16			215	85.12	7.3	1.85	18			190	75.20	7.4							2.10	19	176	69.84	7.5	2.20	21	160	63.30	7.6	2.50																																																																																																																																				
4.1	782	326	18	2.05			4.6	693	289			18	2.30	5.3	602	251	19	2.70	6.0	528	220	19	3.05			6.9	465	194			19	3.45	7.6	417	174			19	3.85	8.7	367	153			19	4.40	3.2	1007	420	8.6	0.85	GK69R39 GKF69R39 GKA69R39 GKAF69R39	4P	7.2	467	123.85	12	1.70			GK69 GKF69 GKA69 GKAF69	6P	3.7			866	361	10		1.00			4.1		774	323	11			1.10		4.8			669	279	11	1.30			5.4	590	246	12	1.45	6.1	520	217	12	1.65	7.0	458	191	12	1.85	8.0			398	166	12	2.15	9.2	345	144	12	2.50	11	293	122	12	2.95	4.8	671	280	7.1	0.95	GK59R39 GKF59R39 GKA59R39 GKAF59R39	4P	9.2	366	145.15	8.6	1.60			GK59 GKF59 GKA59 GKAF59	6P	5.4			590	246			7.6					1.05	6.2			516					215	8.1					1.20			6.9			460	192	8.3	1.35	8.0	398	166	8.6	1.55	9.2			348	145	8.7	1.80	10			309	129	8.9	2.00	12	266	111	9.0	2.35			14			233	97	9.1	2.70			8.5	394	104.37	5.2	1.00			GK49 GKF49 GKA49 GKAF49	6P	9.8	343	90.86	6.2	1.10	10		321	85.12		6.4	1.20	12	284		75.20	6.7	1.35	10	333	131.87	6.4	1.20	GK49 GKF49 GKA49 GKAF49	4P	11	307	121.48	6.6	1.30	13		263	104.37		7.0	1.50	15	229	90.86	7.2	1.70	GK49 GKF49 GKA49 GKAF49	4P	16	215	85.12	7.3	1.85			18			190	75.20	7.4	2.10	19			176	69.84	7.5				2.20	21		160	63.30	7.6	2.50																																																																																																																																											
4.6	693	289	18	2.30			5.3	602	251			19	2.70	6.0	528	220	19	3.05	6.9	465	194	19	3.45			7.6	417	174			19	3.85	8.7	367	153			19	4.40	3.2	1007	420	8.6	0.85	GK69R39 GKF69R39 GKA69R39 GKAF69R39	4P	7.2	467	123.85	12	1.70			GK69 GKF69 GKA69 GKAF69	6P	3.7	866	361			10		1.00			4.1	774	323		11			1.10		4.8	669	279			11	1.30	5.4			590	246	12	1.45			6.1	520	217	12	1.65	7.0	458	191	12	1.85	8.0	398	166	12	2.15	9.2			345	144	12	2.50	11	293	122	12	2.95	4.8	671	280	7.1	0.95	GK59R39 GKF59R39 GKA59R39 GKAF59R39	4P	9.2	366	145.15			8.6	1.60	GK59 GKF59 GKA59 GKAF59	6P	5.4					590			246	7.6			1.05					6.2	516			215					8.1	1.20					6.9			460			192	8.3	1.35	8.0	398	166	8.6	1.55	9.2	348			145	8.7	1.80	10	309			129	8.9	2.00	12	266	111	9.0	2.35	14			233			97	9.1	2.70	8.5			394	104.37	5.2	1.00	GK49 GKF49 GKA49 GKAF49	6P	9.8	343		90.86	6.2	1.10	10	321	85.12		6.4	1.20		12	284	75.20	6.7	1.35	10	333	131.87	6.4	1.20	GK49 GKF49 GKA49 GKAF49	4P	11	307		121.48	6.6	1.30	13	263	104.37		7.0	1.50	15	229	90.86	7.2	1.70	GK49 GKF49 GKA49 GKAF49	4P	16			215	85.12	7.3	1.85	18			190			75.20	7.4	2.10	19	176			69.84	7.5	2.20			21	160	63.30	7.6	2.50																																																																																																																																														
5.3	602	251	19	2.70			6.0	528	220			19	3.05	6.9	465	194	19	3.45	7.6	417	174	19	3.85			8.7	367	153			19	4.40	3.2	1007	420	8.6	0.85	GK69R39 GKF69R39 GKA69R39 GKAF69R39	4P	7.2	467	123.85	12	1.70			GK69 GKF69 GKA69 GKAF69	6P	3.7	866	361			10		1.00	4.1	774			323		11			1.10	4.8	669		279			11	1.30	5.4	590	246			12	1.45	6.1			520	217	12	1.65			7.0	458	191	12	1.85	8.0	398	166	12	2.15	9.2	345	144	12	2.50	11	293	122	12	2.95	4.8	671	280	7.1	0.95	GK59R39 GKF59R39 GKA59R39 GKAF59R39	4P	9.2	366	145.15	8.6	1.60			GK59 GKF59 GKA59 GKAF59	6P	5.4			590	246			7.6					1.05			6.2	516			215					8.1	1.20			6.9					460	192					8.3			1.35			8.0	398	166	8.6	1.55	9.2	348	145	8.7	1.80			10	309	129	8.9	2.00	12	266	111	9.0	2.35	14	233	97	9.1	2.70	8.5			394			104.37	5.2	1.00	GK49 GKF49 GKA49 GKAF49	6P	9.8	343	90.86	6.2	1.10	10		321	85.12		6.4	1.20	12	284	75.20	6.7		1.35	10	333	131.87	6.4	1.20	GK49 GKF49 GKA49 GKAF49	4P	11	307	121.48	6.6	1.30	13		263	104.37		7.0	1.50	15	229	90.86	7.2	1.70	GK49 GKF49 GKA49 GKAF49	4P	16	215	85.12	7.3	1.85			18			190	75.20	7.4	2.10	19			176			69.84	7.5	2.20	21	160			63.30	7.6	2.50																																																																																																																																																					
6.0	528	220	19	3.05			6.9	465	194			19	3.45	7.6	417	174	19	3.85	8.7	367	153	19	4.40			3.2	1007	420	8.6	0.85	GK69R39 GKF69R39 GKA69R39 GKAF69R39	4P	7.2	467	123.85	12	1.70			GK69 GKF69 GKA69 GKAF69	6P	3.7	866	361			10		1.00	4.1	774			323		11	1.10	4.8			669		279			11	1.30	5.4	590	246			12	1.45	6.1	520	217			12	1.65	7.0			458	191	12	1.85			8.0	398	166	12	2.15	9.2	345	144	12	2.50	11	293	122	12	2.95	4.8	671	280	7.1	0.95	GK59R39 GKF59R39 GKA59R39 GKAF59R39	4P	9.2	366	145.15			8.6	1.60	GK59 GKF59 GKA59 GKAF59	6P	5.4					590			246	7.6			1.05					6.2			516	215			8.1					1.20	6.9			460					192	8.3					1.35			8.0			398	166	8.6	1.55	9.2	348	145	8.7	1.80	10			309	129	8.9	2.00	12	266	111	9.0	2.35	14	233	97	9.1	2.70	8.5	394			104.37	5.2	1.00	GK49 GKF49 GKA49 GKAF49	6P	9.8	343		90.86	6.2	1.10	10	321	85.12		6.4	1.20		12	284	75.20	6.7	1.35	10	333	131.87	6.4	1.20	GK49 GKF49 GKA49 GKAF49	4P	11	307		121.48	6.6	1.30	13	263	104.37		7.0	1.50	15	229	90.86	7.2	1.70	GK49 GKF49 GKA49 GKAF49	4P	16			215	85.12	7.3	1.85	18			190			75.20	7.4	2.10	19	176			69.84			7.5	2.20	21	160	63.30	7.6	2.50																																																																																																																																																								
6.9	465	194	19	3.45			7.6	417	174			19	3.85	8.7	367	153	19	4.40	3.2	1007	420	8.6	0.85	GK69R39 GKF69R39 GKA69R39 GKAF69R39	4P	7.2	467	123.85	12	1.70			GK69 GKF69 GKA69 GKAF69	6P	3.7	866	361			10		1.00	4.1	774			323		11	1.10	4.8			669		279	11	1.30			5.4	590	246			12	1.45	6.1	520	217			12	1.65	7.0	458	191			12	1.85	8.0			398	166	12	2.15	9.2	345	144	12	2.50	11	293	122	12	2.95	4.8	671	280	7.1	0.95	GK59R39 GKF59R39 GKA59R39 GKAF59R39	4P	9.2	366	145.15	8.6	1.60			GK59 GKF59 GKA59 GKAF59	6P	5.4			590	246			7.6					1.05			6.2	516			215					8.1			1.20	6.9			460					192	8.3			1.35					8.0	398					166			8.6	1.55	9.2	348	145	8.7	1.80	10	309	129	8.9	2.00	12			266	111	9.0	2.35	14	233	97	9.1	2.70	8.5	394	104.37	5.2	1.00	GK49 GKF49 GKA49 GKAF49	6P	9.8	343	90.86	6.2	1.10	10		321	85.12		6.4	1.20	12	284	75.20	6.7		1.35	10	333	131.87	6.4	1.20	GK49 GKF49 GKA49 GKAF49	4P	11	307	121.48	6.6	1.30	13		263	104.37		7.0	1.50	15	229	90.86	7.2	1.70	GK49 GKF49 GKA49 GKAF49	4P	16	215	85.12	7.3	1.85			18			190	75.20	7.4	2.10	19			176			69.84	7.5	2.20	21	160			63.30	7.6	2.50																																																																																																																																																															
7.6	417	174	19	3.85			8.7	367	153			19	4.40	3.2	1007	420	8.6	0.85	GK69R39 GKF69R39 GKA69R39 GKAF69R39	4P	7.2	467	123.85			12	1.70	GK69 GKF69 GKA69 GKAF69	6P	3.7			866		361	10	1.00			4.1		774	323	11			1.10		4.8	669	279			11	1.30	5.4	590	246			12	1.45	6.1			520	217	12	1.65	7.0			458	191	12	1.85	8.0			398	166	12	2.15	9.2	345	144	12	2.50	11	293	122	12	2.95	4.8	671	280	7.1	0.95	GK59R39 GKF59R39 GKA59R39 GKAF59R39	4P	9.2	366	145.15			8.6	1.60	GK59 GKF59 GKA59 GKAF59	6P	5.4					590			246	7.6			1.05					6.2			516	215			8.1					1.20			6.9	460			192					8.3	1.35			8.0					398	166					8.6	1.55	9.2	348	145	8.7	1.80	10	309	129	8.9	2.00	12	266	111	9.0			2.35	14	233	97	9.1	2.70	8.5	394	104.37	5.2	1.00	GK49 GKF49 GKA49 GKAF49	6P	9.8	343		90.86	6.2	1.10	10	321	85.12		6.4	1.20		12	284	75.20	6.7	1.35	10	333	131.87	6.4	1.20	GK49 GKF49 GKA49 GKAF49	4P	11	307		121.48	6.6	1.30	13	263	104.37		7.0	1.50	15	229	90.86	7.2	1.70	GK49 GKF49 GKA49 GKAF49	4P	16			215	85.12	7.3	1.85	18			190			75.20	7.4	2.10	19	176			69.84			7.5	2.20	21	160	63.30	7.6	2.50																																																																																																																																																																		
8.7	367	153	19	4.40																																																																																																																																																																																																																																																																																																																																																																																																																																												
3.2	1007	420	8.6	0.85	GK69R39 GKF69R39 GKA69R39 GKAF69R39	4P	7.2	467	123.85	12	1.70	GK69 GKF69 GKA69 GKAF69	6P																																																																																																																																																																																																																																																																																																																																																																																																																																			
3.7	866	361	10	1.00			4.1	774	323	11	1.10	4.8		669	279	11	1.30	5.4			590	246	12			1.45	6.1	520		217			12	1.65	7.0	458	191			12	1.85	8.0	398	166			12	2.15	9.2	345	144			12	2.50	11	293	122			12	2.95	4.8	671	280	7.1	0.95	GK59R39 GKF59R39 GKA59R39 GKAF59R39	4P	9.2	366	145.15	8.6	1.60	GK59 GKF59 GKA59 GKAF59	6P	5.4	590	246	7.6	1.05	6.2	516	215	8.1	1.20	6.9	460	192	8.3	1.35	8.0	398	166	8.6	1.55	9.2	348			145	8.7	1.80			10	309			129					8.9			2.00	12			266					111			9.0	2.35			14					233			97	9.1			2.70			8.5	394	104.37	5.2			1.00	GK49 GKF49 GKA49 GKAF49	6P			9.8	343	90.86	6.2	1.10	10	321	85.12	6.4	1.20	12	284	75.20	6.7	1.35	10	333	131.87	6.4	1.20	GK49 GKF49 GKA49 GKAF49	4P	11	307	121.48	6.6	1.30	13	263	104.37	7.0	1.50	15	229	90.86	7.2		1.70	GK49 GKF49 GKA49 GKAF49	4P	16	215	85.12	7.3	1.85	18	190	75.20	7.4	2.10	19	176	69.84	7.5	2.20	21	160	63.30	7.6	2.50																																																																																																																																																																																																																					
4.1	774	323	11	1.10			4.8	669	279	11	1.30	5.4		590	246	12	1.45	6.1			520	217	12			1.65	7.0	458	191	12			1.85	8.0	398	166	12			2.15	9.2	345	144	12			2.50	11	293	122	12			2.95	4.8	671	280	7.1	0.95	GK59R39 GKF59R39 GKA59R39 GKAF59R39	4P	9.2	366	145.15	8.6	1.60	GK59 GKF59 GKA59 GKAF59			6P	5.4	590	246	7.6			1.05	6.2	516	215	8.1	1.20	6.9	460	192	8.3	1.35	8.0	398	166	8.6	1.55	9.2	348	145	8.7	1.80	10			309	129	8.9			2.00	12			266					111			9.0	2.35			14					233			97	9.1			2.70					8.5			394	104.37	5.2	1.00	GK49 GKF49 GKA49 GKAF49			6P	9.8	343	90.86			6.2	1.10		10	321	85.12	6.4	1.20	12	284	75.20	6.7	1.35	10	333	131.87	6.4	1.20	GK49 GKF49 GKA49 GKAF49	4P	11	307	121.48	6.6	1.30	13		263	104.37	7.0	1.50	15	229	90.86	7.2	1.70	GK49 GKF49 GKA49 GKAF49	4P	16	215	85.12	7.3	1.85			18	190	75.20	7.4	2.10	19	176	69.84	7.5	2.20	21	160	63.30	7.6	2.50																																																																																																																																																																																																																										
4.8	669	279	11	1.30																																																																																																																																																																																																																																																																																																																																																																																																																																												
5.4	590	246	12	1.45			6.1	520	217	12	1.65	7.0	458	191	12	1.85	8.0	398			166	12	2.15			9.2	345	144	12	2.50			11	293	122	12	2.95			4.8	671	280	7.1	0.95	GK59R39 GKF59R39 GKA59R39 GKAF59R39	4P	9.2	366	145.15	8.6	1.60	GK59 GKF59 GKA59 GKAF59	6P	5.4	590	246	7.6	1.05	6.2			516	215	8.1	1.20	6.9					460	192	8.3	1.35			8.0	398	166	8.6	1.55	9.2	348	145	8.7	1.80	10	309	129	8.9	2.00	12	266	111	9.0	2.35	14	233			97	9.1	2.70			8.5	394			104.37					5.2			1.00	GK49 GKF49 GKA49 GKAF49			6P					9.8			343	90.86	6.2	1.10	10			321	85.12	6.4			1.20	12	284	75.20	6.7	1.35	10		333	131.87	6.4	1.20	GK49 GKF49 GKA49 GKAF49	4P	11		307	121.48	6.6	1.30	13	263	104.37	7.0	1.50	15	229	90.86	7.2	1.70	GK49 GKF49 GKA49 GKAF49	4P		16	215	85.12	7.3	1.85	18	190	75.20	7.4	2.10	19	176	69.84	7.5	2.20	21			160	63.30	7.6	2.50																																																																																																																																																																																																																																												
6.1	520	217	12	1.65			7.0	458	191	12	1.85	8.0	398	166	12	2.15	9.2	345			144	12	2.50			11	293	122	12	2.95			4.8	671	280	7.1	0.95	GK59R39 GKF59R39 GKA59R39 GKAF59R39	4P	9.2	366	145.15	8.6	1.60			GK59 GKF59 GKA59 GKAF59	6P	5.4	590	246			7.6	1.05	6.2	516	215	8.1			1.20	6.9	460	192	8.3					1.35	8.0	398	166			8.6	1.55	9.2	348	145	8.7	1.80	10	309	129	8.9	2.00	12	266	111	9.0	2.35	14	233	97	9.1	2.70			8.5	394	104.37			5.2	1.00			GK49 GKF49 GKA49 GKAF49					6P			9.8	343						90.86	6.2	1.10			10	321	85.12	6.4	1.20			12	284	75.20	6.7	1.35	10	333	131.87	6.4	1.20	GK49 GKF49 GKA49 GKAF49	4P		11	307	121.48	6.6	1.30		13	263	104.37	7.0	1.50	15	229	90.86	7.2	1.70	GK49 GKF49 GKA49 GKAF49	4P	16	215	85.12	7.3			1.85	18	190	75.20	7.4	2.10	19	176	69.84	7.5	2.20	21	160	63.30	7.6	2.50																																																																																																																																																																																																																																																			
7.0	458	191	12	1.85			8.0	398	166	12	2.15	9.2	345	144	12	2.50	11	293			122	12	2.95			4.8	671	280	7.1	0.95	GK59R39 GKF59R39 GKA59R39 GKAF59R39	4P	9.2	366	145.15	8.6	1.60			GK59 GKF59 GKA59 GKAF59	6P	5.4	590	246					7.6	1.05	6.2			516	215	8.1	1.20	6.9	460			192	8.3	1.35	8.0	398					166	8.6	1.55	9.2			348	145	8.7	1.80	10	309	129	8.9	2.00	12	266	111	9.0	2.35	14	233	97	9.1	2.70	8.5	394	104.37			5.2	1.00	GK49 GKF49 GKA49 GKAF49			6P	9.8			343								90.86	6.2	1.10	10				321	85.12	6.4			1.20	12	284	75.20	6.7	1.35	10	333	131.87	6.4	1.20	GK49 GKF49 GKA49 GKAF49	4P	11	307	121.48	6.6	1.30		13	263	104.37	7.0	1.50	15		229	90.86	7.2	1.70	GK49 GKF49 GKA49 GKAF49	4P	16	215	85.12	7.3			1.85	18	190	75.20			7.4	2.10	19	176	69.84	7.5	2.20	21	160	63.30	7.6	2.50																																																																																																																																																																																																																																																							
8.0	398	166	12	2.15			9.2	345	144	12	2.50	11	293	122	12	2.95	4.8	671			280	7.1	0.95	GK59R39 GKF59R39 GKA59R39 GKAF59R39	4P	9.2	366	145.15	8.6	1.60			GK59 GKF59 GKA59 GKAF59	6P	5.4	590	246					7.6	1.05	6.2					516	215	8.1			1.20	6.9	460	192	8.3	1.35			8.0	398	166	8.6	1.55					9.2	348	145	8.7			1.80	10	309	129	8.9	2.00	12	266	111	9.0	2.35	14	233	97	9.1	2.70	8.5	394	104.37	5.2	1.00	GK49 GKF49 GKA49 GKAF49			6P	9.8	343				90.86			6.2			1.10	10				321	85.12	6.4	1.20				12	284	75.20	6.7	1.35	10	333	131.87	6.4	1.20	GK49 GKF49 GKA49 GKAF49	4P	11	307	121.48	6.6	1.30		13	263	104.37	7.0	1.50		15	229	90.86	7.2	1.70	GK49 GKF49 GKA49 GKAF49	4P	16	215	85.12	7.3			1.85	18	190	75.20			7.4	2.10	19	176			69.84	7.5	2.20	21	160	63.30	7.6	2.50																																																																																																																																																																																																																																																											
9.2	345	144	12	2.50			11	293	122	12	2.95	4.8	671	280	7.1	0.95	GK59R39 GKF59R39 GKA59R39 GKAF59R39	4P	9.2	366	145.15	8.6	1.60			GK59 GKF59 GKA59 GKAF59	6P	5.4	590	246					7.6	1.05	6.2					516	215	8.1					1.20	6.9	460			192	8.3	1.35	8.0	398	166			8.6	1.55	9.2	348	145					8.7	1.80	10	309			129	8.9	2.00	12	266	111	9.0	2.35	14	233	97	9.1	2.70	8.5	394	104.37	5.2	1.00	GK49 GKF49 GKA49 GKAF49	6P	9.8	343				90.86	6.2				1.10	10	321	85.12			6.4	1.20				12	284	75.20	6.7	1.35	10	333	131.87	6.4	1.20	GK49 GKF49 GKA49 GKAF49	4P	11	307	121.48	6.6	1.30	13		263	104.37	7.0	1.50	15		229	90.86	7.2	1.70	GK49 GKF49 GKA49 GKAF49	4P	16	215	85.12	7.3	1.85			18	190	75.20	7.4			2.10	19	176	69.84			7.5	2.20	21	160			63.30	7.6	2.50																																																																																																																																																																																																																																																																
11	293	122	12	2.95																																																																																																																																																																																																																																																																																																																																																																																																																																												
4.8	671	280	7.1	0.95	GK59R39 GKF59R39 GKA59R39 GKAF59R39	4P	9.2	366	145.15	8.6	1.60	GK59 GKF59 GKA59 GKAF59	6P																																																																																																																																																																																																																																																																																																																																																																																																																																			
5.4	590	246	7.6	1.05			6.2	516	215	8.1	1.20			6.9	460	192			8.3	1.35	8.0	398	166					8.6	1.55	9.2					348	145	8.7					1.80	10	309					129	8.9	2.00			12	266	111	9.0	2.35	14			233	97	9.1	2.70	8.5					394	104.37	5.2	1.00	GK49 GKF49 GKA49 GKAF49	6P	9.8	343	90.86	6.2	1.10	10	321	85.12	6.4	1.20	12	284	75.20	6.7	1.35	10	333	131.87	6.4		1.20	GK49 GKF49 GKA49 GKAF49			4P	11	307	121.48	6.6	1.30	13	263	104.37	7.0	1.50	15	229	90.86	7.2	1.70	GK49 GKF49 GKA49 GKAF49	4P	16	215	85.12	7.3	1.85	18	190	75.20	7.4	2.10	19	176	69.84	7.5	2.20	21	160	63.30	7.6	2.50																																																																																																																																																																																																																																																																																																						
6.2	516	215	8.1	1.20			6.9	460	192	8.3	1.35			8.0	398	166			8.6	1.55	9.2	348	145					8.7	1.80	10					309	129	8.9					2.00	12	266					111	9.0	2.35			14	233	97	9.1	2.70	8.5			394	104.37	5.2	1.00	GK49 GKF49 GKA49 GKAF49	6P			9.8	343	90.86	6.2	1.10	10		321	85.12	6.4	1.20	12	284	75.20	6.7	1.35	10	333	131.87	6.4	1.20	GK49 GKF49 GKA49 GKAF49	4P	11	307	121.48	6.6	1.30	13	263	104.37		7.0	1.50	15	229	90.86	7.2	1.70	GK49 GKF49 GKA49 GKAF49	4P	16	215	85.12	7.3	1.85	18			190	75.20	7.4	2.10	19	176	69.84	7.5	2.20	21	160	63.30	7.6	2.50																																																																																																																																																																																																																																																																																																												
6.9	460	192	8.3	1.35			8.0	398	166	8.6	1.55			9.2	348	145			8.7	1.80	10	309	129					8.9	2.00	12					266	111	9.0					2.35	14	233					97	9.1	2.70			8.5	394	104.37	5.2	1.00	GK49 GKF49 GKA49 GKAF49			6P	9.8	343	90.86	6.2				1.10	10	321	85.12	6.4	1.20		12	284	75.20	6.7	1.35	10	333	131.87	6.4	1.20	GK49 GKF49 GKA49 GKAF49	4P	11	307	121.48		6.6	1.30	13	263	104.37	7.0	1.50	15		229	90.86	7.2	1.70	GK49 GKF49 GKA49 GKAF49	4P	16			215	85.12	7.3	1.85	18	190			75.20	7.4	2.10	19	176	69.84	7.5	2.20	21	160	63.30	7.6	2.50																																																																																																																																																																																																																																																																																																													
8.0	398	166	8.6	1.55			9.2	348	145	8.7	1.80			10	309	129			8.9	2.00	12	266	111					9.0	2.35	14					233	97	9.1					2.70	8.5	394					104.37	5.2	1.00	GK49 GKF49 GKA49 GKAF49	6P	9.8	343	90.86	6.2	1.10	10				321	85.12	6.4	1.20				12	284	75.20	6.7	1.35	10		333	131.87	6.4	1.20	GK49 GKF49 GKA49 GKAF49	4P	11	307	121.48	6.6	1.30		13	263	104.37		7.0	1.50	15	229	90.86	7.2	1.70	GK49 GKF49 GKA49 GKAF49	4P	16	215	85.12	7.3			1.85			18	190	75.20	7.4	2.10	19			176	69.84	7.5	2.20	21	160	63.30	7.6	2.50																																																																																																																																																																																																																																																																																																																	
9.2	348	145	8.7	1.80			10	309	129	8.9	2.00			12	266	111			9.0	2.35	14	233	97					9.1	2.70	8.5					394	104.37	5.2					1.00	GK49 GKF49 GKA49 GKAF49	6P			9.8	343	90.86	6.2	1.10	10		321	85.12	6.4	1.20	12	284				75.20	6.7	1.35	10		333	131.87	6.4	1.20	GK49 GKF49 GKA49 GKAF49	4P	11	307	121.48	6.6	1.30	13	263	104.37		7.0	1.50	15	229	90.86		7.2	1.70	GK49 GKF49 GKA49 GKAF49	4P	16	215	85.12	7.3	1.85	18	190			75.20	7.4	2.10	19			176			69.84	7.5	2.20	21	160	63.30			7.6	2.50																																																																																																																																																																																																																																																																																																																								
10	309	129	8.9	2.00			12	266	111	9.0	2.35			14	233	97			9.1	2.70	8.5	394	104.37					5.2	1.00	GK49 GKF49 GKA49 GKAF49					6P	9.8	343			90.86	6.2	1.10	10				321	85.12	6.4	1.20	12	284		75.20	6.7	1.35	10	333	131.87	6.4	1.20		GK49 GKF49 GKA49 GKAF49	4P	11	307	121.48	6.6	1.30	13	263	104.37		7.0	1.50	15	229	90.86	7.2	1.70	GK49 GKF49 GKA49 GKAF49		4P	16	215	85.12	7.3	1.85	18	190			75.20	7.4	2.10	19	176	69.84	7.5			2.20	21	160	63.30			7.6			2.50																																																																																																																																																																																																																																																																																																																																	
12	266	111	9.0	2.35			14	233	97	9.1	2.70			8.5	394	104.37			5.2	1.00	GK49 GKF49 GKA49 GKAF49	6P	9.8					343	90.86	6.2			1.10	10		321	85.12			6.4	1.20	12	284				75.20	6.7	1.35	10	333	131.87		6.4	1.20	GK49 GKF49 GKA49 GKAF49	4P	11	307	121.48	6.6	1.30	13		263	104.37	7.0	1.50	15	229	90.86	7.2		1.70	GK49 GKF49 GKA49 GKAF49	4P	16	215	85.12	7.3		1.85		18	190	75.20	7.4	2.10	19	176			69.84	7.5	2.20	21	160	63.30	7.6			2.50																																																																																																																																																																																																																																																																																																																																										
14	233	97	9.1	2.70																																																																																																																																																																																																																																																																																																																																																																																																																																												
8.5	394	104.37	5.2	1.00			GK49 GKF49 GKA49 GKAF49	6P																																																																																																																																																																																																																																																																																																																																																																																																																																								
9.8	343	90.86	6.2	1.10			10		321	85.12	6.4	1.20	12	284	75.20	6.7			1.35	10	333		131.87			6.4	1.20	GK49 GKF49 GKA49 GKAF49	4P	11	307	121.48	6.6	1.30	13	263	104.37	7.0	1.50	15	229	90.86	7.2	1.70	GK49 GKF49 GKA49 GKAF49	4P	16	215	85.12	7.3	1.85	18	190	75.20	7.4	2.10	19	176	69.84	7.5	2.20	21	160	63.30	7.6	2.50																																																																																																																																																																																																																																																																																																																																																																														
10	321	85.12	6.4	1.20			12		284	75.20	6.7	1.35	10	333	131.87	6.4			1.20	GK49 GKF49 GKA49 GKAF49	4P	11	307	121.48	6.6	1.30	13	263		104.37	7.0	1.50	15	229	90.86	7.2	1.70	GK49 GKF49 GKA49 GKAF49	4P	16	215	85.12	7.3	1.85			18	190	75.20	7.4	2.10	19	176	69.84	7.5	2.20	21	160	63.30	7.6	2.50																																																																																																																																																																																																																																																																																																																																																																																			
12	284	75.20	6.7	1.35																																																																																																																																																																																																																																																																																																																																																																																																																																												
10	333	131.87	6.4	1.20			GK49 GKF49 GKA49 GKAF49	4P																																																																																																																																																																																																																																																																																																																																																																																																																																								
11	307	121.48	6.6	1.30	13	263	104.37		7.0	1.50	15	229	90.86	7.2	1.70	GK49 GKF49 GKA49 GKAF49	4P	16	215	85.12	7.3	1.85	18	190	75.20	7.4	2.10	19	176	69.84	7.5	2.20	21	160	63.30	7.6	2.50																																																																																																																																																																																																																																																																																																																																																																																																											
13	263	104.37	7.0	1.50																																																																																																																																																																																																																																																																																																																																																																																																																																												
15	229	90.86	7.2	1.70	GK49 GKF49 GKA49 GKAF49	4P																																																																																																																																																																																																																																																																																																																																																																																																																																										
16	215	85.12	7.3	1.85			18	190	75.20	7.4	2.10	19	176	69.84	7.5			2.20	21	160	63.30	7.6	2.50																																																																																																																																																																																																																																																																																																																																																																																																																									
18	190	75.20	7.4	2.10			19	176	69.84	7.5	2.20	21	160	63.30	7.6			2.50																																																																																																																																																																																																																																																																																																																																																																																																																														
19	176	69.84	7.5	2.20			21	160	63.30	7.6	2.50																																																																																																																																																																																																																																																																																																																																																																																																																																					
21	160	63.30	7.6	2.50																																																																																																																																																																																																																																																																																																																																																																																																																																												

选型参数表
(恒功率) 0.37kW-0.55kW
Selection Table
(Constant Power) 0.37kW-0.55kW

n_a [r/min]	M_a [Nm]	i	F_{Ra} [kN]	f_B	机型号 Type size	极数 Pole	n_a [r/min]	M_a [Nm]	i	F_{Ra} [kN]	f_B	机型号 Type size	极数 Pole	
0.37kW							0.55kW							
14	247	97.81	2.4	0.80			1.3	3513	1030	62	2.30	GK109R79	4P	
16	211	83.69	5.2	0.95			1.5	3083	904	62	2.60	GKF109R79		
18	183	72.54	5.4	1.10			1.8	2704	793	62	2.95	GKA109R79		
20	171	67.80	5.3	1.15			2.0	2374	696	62	3.35	GKAF109R79		
23	148	58.60	5.2	1.35			2.3	2094	614	62	3.80			
27	126	49.79	5.1	1.55			0.97	4877	1430	38	0.90		4P	
30	112	44.46	5.0	1.75			1.1	4300	1261	38	1.00			
35	96	37.97	4.8	2.10			1.3	3758	1102	38	1.15			
37	90	35.57	4.7	2.20			1.5	3264	957	38	1.30			
44	76	29.96	4.6	2.60			1.6	2916	855	38	1.45	GK99R59		
46	73	28.83	4.5	2.70	GK39	4P	1.9	2534	743	38	1.70	GKF99R59		
53	63	24.99	4.4	3.10	GKF39		2.1	2220	651	38	1.95	GKA99R59		
57	59	23.36	4.3	3.30	GKA39		2.4	1954	573	38	2.20	GKAF99R59		
66	51	20.19	4.1	3.60	GKAF39		2.8	1719	504	38	2.50			
78	43	17.15	4.0	4.10				3.2	1490	437	38	2.90		
87	39	15.32	3.8	4.50				3.6	1303	382	38	3.30		
102	33	13.08	3.7	4.90				4.6	1040	305	38	4.15		
110	31	12.14	3.6	5.10				1.5	3243	951	25	0.85		4P
127	26	10.49	3.4	5.90				1.7	2854	837	26	0.95		
149	22	8.91	3.3	7.00				1.9	2476	726	26	1.10		
167	20	7.96	3.2	7.60			2.2	2176	638	27	1.25			
196	17	6.80	3.0	8.60			2.5	1917	562	27	1.40	GK89R59		
209	16	6.37	3.0	8.90			2.9	1617	474	27	1.65	GKF89R59		
248	14	5.36	2.8	10			3.3	1453	426	27	1.85	GKA89R59		
							3.7	1272	373	27	2.10	GKAF89R59		
							4.2	1125	330	27	2.40			
							4.7	999	293	27	2.70			
							5.6	853	250	27	3.15			
							5.9	805	236	27	3.35			
							6.9	685	201	27	3.95			
0.55kW							2.5	1876	550	5.5	0.80		4P	
0.08	57901	16978	162	0.95			2.9	1647	483	14	0.95			
0.10	48672	14272	171	1.10	GK189R99	4P	3.3	1453	426	15	1.05			
0.11	44730	13116	171	1.20	GKA189R99		3.8	1248	366	16	1.25	GK79R39		
0.12	39720	11647	171	1.35				4.3	1112	326	17	1.40		GKF79R39
0.19	25042	7343	171	2.10				4.8	986	289	17	1.55		GKA79R39
								5.5	856	251	18	1.80		GKAF79R39
0.12	39475	11575	135	0.85			6.3	750	220	18	2.05			
0.14	35007	10265	135	0.95	GK169R99	4P	7.2	662	194	18	2.35			
0.16	29428	8629	135	1.15	GKA169R99		8.0	593	174	19	2.60			
0.21	22379	6562	135	1.50				9.1	522	153	19	2.95		
0.26	18262	5355	135	1.85				5.0	951	279	7	0.85		
0.34	13911	4079	135	2.40				5.7	839	246	10	1.00	GK69R39	
0.20	23467	6881	104	0.75	GK159R99	4P	6.4	740	217	10	1.10	GKF69R39		
0.23	20227	5931	106	0.85	GKF159R99		7.3	651	191	11	1.25	GKA69R39		
0.39	12073	3540	109	1.50	GKA159R99		8.4	566	166	11	1.45	GKAF69R39		
0.46	10405	3051	110	1.70	GKAF159R99		9.7	491	144	12	1.65			
								11	416	122	12	1.95		
0.31	15084	4423	72	0.90	GK129R79	4P	7.2	655	192	4.9	0.90			
0.36	13263	3889	75	1.00	GKF129R79		8.4	566	166	7.5	1.05	GK59R39		
0.42	11292	3311	76	1.15	GKA129R79		9.6	495	145	8.0	1.20	GKF59R39		
0.46	10262	3009	77	1.30	GKAF129R79		11	440	129	8.2	1.35	GKA59R39		
0.53	8891	2607	77	1.50				13	379	111	8.5	1.60	GKAF59R39	
0.72	6568	1926	78	2.00			14	331	97	8.7	1.80			
0.79	5992	1757	78	2.20	GK129R79	4P	3.8	1317	174.19	27	2.00	GK89		
0.90	5255	1541	78	2.50	GKF129R79		4.0	1242	164.34	27	2.10	GKF89		
1.0	4577	1342	78	2.85	GKA129R79		4.5	1114	147.33	27	2.40	GKA89		
1.2	4014	1177	78	3.25	GKAF129R79							GKAF89		
1.4	3496	1025	78	3.80										
0.47	10153	2977	62	0.80	GK109R79	4P								
0.54	8860	2598	62	0.90	GKF109R79									
0.61	7796	2286	62	1.05	GKA109R79									
0.72	6613	1939	62	1.20	GKAF109R79									
0.81	5842	1713	62	1.35	GK109R79									
0.89	5303	1555	62	1.50	GKF109R79	4P								
1.0	4556	1336	62	1.75	GKA109R79									
1.2	3976	1166	62	2.00	GKAF109R79									

GK 系列斜齿轮-锥齿轮减速电机

选型参数表

(恒功率) 0.55kW-0.75kW

Selection Table

(Constant Power) 0.55kW-0.75kW

n_a [r/min]	M_a [Nm]	i	F_{Ra} [kN]	f_B	机型号 Type size	极数 Pole	n_a [r/min]	M_a [Nm]	i	F_{Ra} [kN]	f_B	机型号 Type size	极数 Pole																																																																																																																																																																																																																																																																																																																																																																																																																																																																																																																																																																																																																																																																																																																																						
0.55kW							0.55kW																																																																																																																																																																																																																																																																																																																																																																																																																																																																																																																																																																																																																																																																																																																																												
4.5	1107	197.37	27	2.30	GK89	6P	91	55	15.32	3.7	3.00	GK39 GKF39 GKA39 GKAF39	4P																																																																																																																																																																																																																																																																																																																																																																																																																																																																																																																																																																																																																																																																																																																																						
5.1	977	174.19	27	2.70	GKF89		5.4	921	164.34	27	2.80			GKA89	6.0	826	147.33	27	3.10	GKAF89	4.9	1019	134.74	17	1.50	GK79	8P	106	47	13.08	3.5	3.30			5.2	968	128.00	17	1.55	GKF79	5.8	855	113.10	18	1.75	GKA79	6.8	731	96.66	18	2.10	GKAF79	5.8	860	153.40	18	1.70	GK79	6P	114	44	12.14	3.5	3.40			6.6	755	134.74	18	1.95	GKF79	7.0	718	128.00	18	2.10	GKA79	7.9	634	113.10	18	2.30	GKAF79	9.1	551	153.40	19	2.60	GK79	4P	133	38	10.49	3.3	4.00			10	484	134.74	19	3.00	GKF79	11	459	128.00	19	3.10	GKA79	12	406	113.10	19	3.50	GKAF79	14	347	96.66	19	4.10	GKAF79	6P	156	32	8.91	3.2	4.70			7.2	693	123.54	11	1.15	GK69	8.2	606	108.03	11	1.30	GKF69	8.7	575	102.62	11	1.35	GKA69	9.9	505	90.04	12	1.55	GKAF69	4P	175	29	7.96	3.1	5.10			12	428	76.37	12	1.85	GKAF69	11	443	123.54	12	1.70	GK69	13	388	108.03	12	1.95	GKF69	15	323	90.04	12	2.40	GKA69	6P	204	24	6.80	3.0	5.70			18	274	76.37	12	2.80	GKAF69	8.2	607	108.29	7.0	0.95	GK59 GKF59 GKA59 GKAF59	218	23	6.37	2.9	5.90			8.7	577	102.88	7.2	1.00	9.9	506	90.26	7.8	1.15	12	429	76.56	8.2	1.35	13	388	69.12	8.4	1.50	15	341	60.81	8.6	1.70	15	322	57.42	8.7	1.80	11	445	123.85	8.1	1.25	13	389	108.29	8.4	1.45	GK59 GKF59 GKA59 GKAF59	259	19	5.36	2.8	6.80			14	369	102.88	8.4	1.50	15	324	90.26	8.6	1.70	18	275	76.56	8.8	2.00	20	248	69.12	8.9	2.20	23	218	60.81	9.0	2.60	24	206	57.42	9.1	2.70	13	375	104.37	5.6	1.00	GK49 GKF49 GKA49 GKAF49	0.75kW							15	326	90.86	6.2	1.15	16	306	85.12	6.5	1.50	18	270	75.20	6.8	1.40	20	251	69.84	6.9	1.50	22	227	63.30	7.1	1.65	24	204	56.83	7.3	1.80	28	176	48.95	7.4	2.10	30	165	46.04	7.5	2.20	24	210	58.60	4.6	0.90	GK39 GKF39 GKA39 GKAF39	0.11	60996	13116	158	0.85	GK189R99 GKA189R99	4P	28	179	49.79	4.6	1.05	31	160	44.46	4.5	1.15	37	136	37.97	4.4	1.35	39	128	35.57	4.4	1.45	46	108	29.96	4.2	1.75	48	103	28.83	4.2	1.80	56	90	24.99	4.1	2.10	60	84	23.36	4.0	2.20	69	72	20.19	3.9	2.40	81	62	17.15	3.8	2.70	0.12	54164	11647	169	0.95	GK169R99 GKA169R99	4P	0.19	34148	7343	171	1.50	0.21	31377	6747	171	1.65	0.23	27861	5991	171	1.90	0.16	40129	8629	135	0.85	GK159R99 GKF159R99 GKA159R99 GKAF159R99	4P	0.21	30516	6562	135	1.10	0.26	24903	5355	135	1.35	0.34	18969	4079	135	1.75	0.41	15700	3376	135	2.10	0.39	16463	3540	107	1.10	GK129R79 GKF129R79 GKA129R79 GKAF129R79	4P	0.46	14189	3051	108	1.25	0.84	7715	1659	110	2.30	GK109R79 GKF109R79 GKA109R79 GKAF109R79	4P	1.0	6348	1365	110	2.80	0.42	15398	3311	72	0.85	GK99R59 GKF99R59 GKA99R59 GKAF99R59	4P	0.46	13993	3009	75	0.95	0.53	12124	2607	76	1.10	0.72	8957	1926	77	1.45	0.79	8171	1757	77	1.60	0.90	7166	1541	78	1.85	1.0	6241	1342	78	2.10	1.2	5474	1177	78	2.40	1.4	4767	1025	78	2.80	1.5	4181	899	78	3.20	0.81	7966	1713	62	1.00	0.89	7231	1555	62	1.10	1.0	6213	1336	62	1.30	1.2	5422	1166	62	1.50	1.3	4790	1030	62	1.65	1.5	4204	904	62	1.90	1.8	3688	793	62	2.15	2.0	3237	696	62	2.45	2.3	2855	614	62	2.80	1.3	5125	1102	38	0.85	1.5	4451	957	38	0.95	1.6	3976	855	38	1.10	1.9	3455	743	38	1.25	2.1	3027	651	38	1.40	2.4	2665	573	38	1.60	2.8	2344	504	38	1.85	3.2	2032	437	38	2.10	3.6	1776	382	38	2.40	4.6	1418	305	38	3.05	5.4	1200	258	38	3.60	6.0	1079	232	38	4.00	7.0	925	199	38	4.65																																																																																	
5.4	921	164.34	27	2.80	GKA89		6.0	826	147.33	27	3.10			GKAF89	4.9	1019	134.74	17	1.50	GK79	8P	106	47	13.08	3.5	3.30				5.2	968	128.00			17	1.55	GKF79	5.8	855	113.10	18	1.75	GKA79	6.8	731	96.66	18	2.10	GKAF79	5.8	860	153.40	18	1.70	GK79	6P	114	44		12.14	3.5	3.40					6.6	755	134.74	18	1.95	GKF79	7.0	718	128.00	18	2.10	GKA79	7.9	634	113.10	18	2.30	GKAF79	9.1	551	153.40	19	2.60	GK79		4P	133	38	10.49	3.3			4.00			10	484	134.74	19	3.00	GKF79	11	459	128.00	19	3.10	GKA79	12	406	113.10	19	3.50	GKAF79	14	347	96.66		19	4.10	GKAF79	6P	156			32	8.91	3.2	4.70			7.2	693	123.54	11	1.15	GK69	8.2	606	108.03	11	1.30	GKF69	8.7	575	102.62	11	1.35	GKA69		9.9	505	90.04	12	1.55			GKAF69	4P	175	29	7.96	3.1	5.10			12	428	76.37	12	1.85	GKAF69	11	443	123.54	12	1.70	GK69	13	388	108.03		12	1.95	GKF69	15	323			90.04	12	2.40	GKA69	6P	204	24	6.80	3.0	5.70				18	274	76.37	12			2.80	GKAF69	8.2	607	108.29	7.0	0.95	GK59 GKF59 GKA59 GKAF59	218	23	6.37	2.9	5.90			8.7	577	102.88	7.2	1.00	9.9	506	90.26	7.8	1.15	12	429	76.56	8.2	1.35	13	388	69.12	8.4	1.50	15	341	60.81	8.6	1.70		15	322	57.42	8.7	1.80			11	445	123.85	8.1	1.25	13	389	108.29	8.4	1.45	GK59 GKF59 GKA59 GKAF59	259	19	5.36	2.8	6.80			14	369	102.88	8.4	1.50	15	324	90.26	8.6	1.70	18	275	76.56	8.8	2.00	20	248		69.12	8.9	2.20	23	218	60.81	9.0	2.60	24	206	57.42	9.1	2.70	13	375	104.37	5.6	1.00	GK49 GKF49 GKA49 GKAF49	0.75kW							15	326	90.86	6.2	1.15	16	306	85.12	6.5	1.50	18	270	75.20	6.8	1.40	20	251	69.84	6.9	1.50	22	227	63.30	7.1	1.65	24		204	56.83	7.3	1.80	28			176	48.95	7.4	2.10	30	165	46.04	7.5	2.20	24	210	58.60	4.6	0.90	GK39 GKF39 GKA39 GKAF39	0.11	60996	13116	158	0.85	GK189R99 GKA189R99	4P	28	179	49.79	4.6	1.05	31	160	44.46	4.5	1.15	37	136	37.97	4.4	1.35	39	128	35.57	4.4	1.45	46	108	29.96	4.2	1.75	48	103	28.83	4.2	1.80	56	90	24.99			4.1	2.10	60	84	23.36	4.0	2.20	69	72	20.19	3.9	2.40	81	62	17.15	3.8	2.70	0.12	54164	11647			169	0.95	GK169R99 GKA169R99	4P	0.19	34148	7343	171	1.50	0.21	31377	6747	171	1.65	0.23	27861	5991	171	1.90	0.16	40129	8629	135	0.85	GK159R99 GKF159R99 GKA159R99 GKAF159R99			4P	0.21	30516	6562	135	1.10	0.26	24903	5355	135			1.35	0.34	18969	4079	135	1.75	0.41	15700	3376	135			2.10	0.39	16463	3540	107	1.10	GK129R79 GKF129R79 GKA129R79 GKAF129R79	4P	0.46	14189	3051	108	1.25	0.84	7715	1659	110	2.30	GK109R79 GKF109R79 GKA109R79 GKAF109R79	4P	1.0	6348	1365	110	2.80	0.42	15398	3311	72	0.85	GK99R59 GKF99R59 GKA99R59 GKAF99R59	4P	0.46	13993	3009	75	0.95	0.53	12124	2607	76	1.10	0.72	8957	1926	77	1.45	0.79	8171	1757	77	1.60	0.90	7166	1541	78	1.85	1.0	6241	1342	78	2.10	1.2	5474	1177	78	2.40	1.4	4767	1025	78	2.80	1.5	4181	899	78	3.20	0.81	7966	1713	62	1.00	0.89	7231	1555	62	1.10	1.0	6213	1336	62	1.30	1.2	5422	1166	62	1.50	1.3	4790	1030	62	1.65	1.5	4204	904	62	1.90	1.8	3688	793	62	2.15	2.0	3237	696	62	2.45	2.3	2855	614	62	2.80	1.3	5125	1102	38	0.85	1.5	4451	957	38	0.95	1.6	3976	855	38	1.10	1.9	3455	743	38	1.25	2.1	3027	651	38	1.40	2.4	2665	573	38	1.60	2.8	2344	504	38	1.85	3.2	2032	437	38	2.10	3.6	1776	382	38	2.40	4.6	1418	305	38	3.05	5.4	1200	258	38	3.60	6.0	1079	232	38	4.00	7.0	925	199	38	4.65																																																	
6.0	826	147.33	27	3.10	GKAF89		4.9	1019	134.74	17	1.50			GK79	8P	106	47	13.08	3.5	3.30				5.2	968	128.00				17	1.55	GKF79			5.8	855	113.10	18	1.75	GKA79	6.8	731	96.66	18	2.10	GKAF79	5.8	860	153.40	18	1.70	GK79	6P	114	44		12.14	3.5		3.40							6.6	755	134.74	18	1.95	GKF79	7.0	718	128.00	18	2.10	GKA79	7.9	634	113.10	18	2.30	GKAF79	9.1	551	153.40	19	2.60	GK79			4P	133	38	10.49			3.3			4.00			10	484	134.74	19	3.00	GKF79	11	459	128.00	19	3.10	GKA79	12	406	113.10	19	3.50	GKAF79		14	347	96.66		19			4.10	GKAF79	6P	156			32	8.91	3.2	4.70			7.2	693	123.54	11	1.15	GK69	8.2	606	108.03	11	1.30	GKF69		8.7	575	102.62	11	1.35			GKA69		9.9	505	90.04	12	1.55			GKAF69	4P	175	29	7.96	3.1	5.10			12	428	76.37	12	1.85	GKAF69		11	443	123.54	12	1.70			GK69	13	388	108.03		12	1.95	GKF69	15	323				90.04	12	2.40	GKA69			6P	204	24	6.80	3.0	5.70				18	274	76.37	12			2.80	GKAF69	8.2	607	108.29	7.0	0.95	GK59 GKF59 GKA59 GKAF59	218	23	6.37	2.9	5.90			8.7	577	102.88	7.2	1.00	9.9	506	90.26	7.8	1.15		12	429	76.56	8.2	1.35			13	388	69.12	8.4	1.50	15	341	60.81	8.6	1.70		15	322	57.42	8.7	1.80			11	445	123.85	8.1	1.25	13	389	108.29	8.4	1.45	GK59 GKF59 GKA59 GKAF59	259	19	5.36	2.8	6.80				14	369	102.88	8.4	1.50	15	324	90.26	8.6	1.70	18	275	76.56	8.8	2.00	20	248		69.12	8.9	2.20	23	218	60.81	9.0	2.60	24	206	57.42	9.1	2.70	13	375	104.37	5.6	1.00	GK49 GKF49 GKA49 GKAF49	0.75kW							15	326	90.86	6.2	1.15	16	306		85.12	6.5	1.50	18	270			75.20	6.8	1.40	20	251	69.84	6.9	1.50	22	227	63.30	7.1	1.65	24		204	56.83	7.3	1.80	28			176	48.95	7.4	2.10	30	165	46.04	7.5	2.20	24	210	58.60	4.6	0.90	GK39 GKF39 GKA39 GKAF39	0.11	60996	13116	158	0.85	GK189R99 GKA189R99	4P	28	179	49.79	4.6	1.05	31	160	44.46	4.5	1.15	37			136	37.97	4.4	1.35	39	128	35.57	4.4	1.45	46	108	29.96	4.2	1.75	48	103	28.83	4.2	1.80	56			90	24.99			4.1	2.10	60	84	23.36	4.0	2.20	69	72	20.19	3.9	2.40	81	62	17.15	3.8	2.70	0.12	54164	11647		169	0.95		GK169R99 GKA169R99	4P	0.19	34148	7343	171	1.50	0.21	31377	6747	171	1.65	0.23	27861	5991	171	1.90	0.16	40129	8629	135			0.85	GK159R99 GKF159R99 GKA159R99 GKAF159R99	4P	0.21	30516	6562			135	1.10	0.26	24903	5355	135	1.35	0.34	18969	4079			135	1.75	0.41	15700	3376	135	2.10	0.39	16463	3540			107	1.10	GK129R79 GKF129R79 GKA129R79 GKAF129R79	4P	0.46	14189	3051	108	1.25	0.84	7715	1659	110	2.30	GK109R79 GKF109R79 GKA109R79 GKAF109R79	4P	1.0	6348	1365	110	2.80	0.42	15398	3311	72	0.85	GK99R59 GKF99R59 GKA99R59 GKAF99R59	4P	0.46	13993	3009	75	0.95	0.53	12124	2607	76	1.10	0.72	8957	1926	77	1.45	0.79	8171	1757	77	1.60	0.90	7166	1541	78	1.85	1.0	6241	1342	78	2.10	1.2	5474	1177	78	2.40	1.4	4767	1025	78	2.80	1.5	4181	899	78	3.20	0.81	7966	1713	62	1.00	0.89	7231	1555	62	1.10	1.0	6213	1336	62	1.30	1.2	5422	1166	62	1.50	1.3	4790	1030	62	1.65	1.5	4204	904	62	1.90	1.8	3688	793	62	2.15	2.0	3237	696	62	2.45	2.3	2855	614	62	2.80	1.3	5125	1102	38	0.85	1.5	4451	957	38	0.95	1.6	3976	855	38	1.10	1.9	3455	743	38	1.25	2.1	3027	651	38	1.40	2.4	2665	573	38	1.60	2.8	2344	504	38	1.85	3.2	2032	437	38	2.10	3.6	1776	382	38	2.40	4.6	1418	305	38	3.05	5.4	1200	258	38	3.60	6.0	1079	232	38	4.00	7.0	925	199	38	4.65																					
4.9	1019	134.74	17	1.50	GK79	8P	106	47	13.08	3.5	3.30																																																																																																																																																																																																																																																																																																																																																																																																																																																																																																																																																																																																																																																																																																																																								
5.2	968	128.00	17	1.55	GKF79		5.8	855	113.10	18	1.75						GKA79	6.8	731	96.66				18	2.10	GKAF79	5.8			860	153.40	18			1.70	GK79	6P	114	44	12.14	3.5	3.40			6.6	755	134.74	18	1.95	GKF79	7.0	718		128.00	18		2.10	GKA79	7.9	634							113.10	18	2.30	GKAF79	9.1	551	153.40	19	2.60	GK79	4P	133	38	10.49	3.3	4.00			10	484	134.74	19	3.00	GKF79	11			459	128.00	19			3.10			GKA79			12	406	113.10	19	3.50	GKAF79	14	347	96.66	19	4.10	GKAF79	6P	156	32	8.91	3.2	4.70			7.2	693		123.54			11	1.15		GK69			8.2	606	108.03	11			1.30	GKF69	8.7	575	102.62	11	1.35	GKA69	9.9	505	90.04	12	1.55	GKAF69	4P	175	29	7.96			3.1		5.10			12	428			76.37		12	1.85	GKAF69	11	443			123.54	12	1.70	GK69	13	388	108.03	12	1.95	GKF69	15	323			90.04	12	2.40	GKA69		6P	204	24	6.80	3.0				5.70			18				274	76.37	12	2.80	GKAF69				8.2	607	108.29	7.0			0.95	GK59 GKF59 GKA59 GKAF59	218	23	6.37	2.9	5.90				8.7	577	102.88			7.2	1.00	9.9	506	90.26	7.8	1.15	12	429	76.56		8.2	1.35	13	388	69.12			8.4	1.50	15	341	60.81	8.6	1.70	15	322	57.42		8.7	1.80	11	445	123.85			8.1	1.25	13	389	108.29	8.4	1.45	GK59 GKF59 GKA59 GKAF59	259	19		5.36	2.8	6.80						14	369	102.88	8.4	1.50	15	324	90.26	8.6	1.70	18	275	76.56	8.8	2.00	20	248		69.12	8.9	2.20	23	218	60.81	9.0	2.60	24	206	57.42	9.1	2.70	13	375	104.37	5.6	1.00		GK49 GKF49 GKA49 GKAF49	0.75kW							15	326	90.86	6.2	1.15	16		306	85.12	6.5	1.50	18	270	75.20	6.8	1.40	20	251	69.84	6.9	1.50	22	227	63.30	7.1	1.65	24	204		56.83	7.3	1.80	28	176			48.95	7.4	2.10	30	165	46.04	7.5	2.20	24	210	58.60	4.6	0.90	GK39 GKF39 GKA39 GKAF39		0.11	60996	13116	158	0.85			GK189R99 GKA189R99	4P	28	179	49.79	4.6	1.05	31	160	44.46	4.5	1.15	37	136	37.97	4.4	1.35	39	128	35.57	4.4	1.45	46	108	29.96	4.2	1.75	48	103	28.83	4.2	1.80	56	90	24.99	4.1	2.10			60	84	23.36	4.0	2.20	69	72	20.19	3.9	2.40	81	62	17.15	3.8	2.70	0.12	54164	11647	169	0.95		GK169R99 GKA169R99	4P				0.19	34148	7343	171	1.50	0.21	31377	6747	171	1.65	0.23	27861	5991	171	1.90	0.16	40129	8629	135			0.85			GK159R99 GKF159R99 GKA159R99 GKAF159R99	4P	0.21	30516	6562	135	1.10	0.26	24903	5355	135	1.35	0.34	18969	4079	135	1.75	0.41	15700	3376	135	2.10	0.39	16463	3540	107	1.10			GK129R79 GKF129R79 GKA129R79 GKAF129R79	4P	0.46	14189	3051	108	1.25	0.84	7715	1659	110	2.30	GK109R79 GKF109R79 GKA109R79 GKAF109R79	4P	1.0	6348	1365	110	2.80	0.42	15398	3311	72	0.85	GK99R59 GKF99R59 GKA99R59 GKAF99R59	4P			0.46	13993	3009	75	0.95	0.53	12124	2607	76	1.10	0.72	8957	1926	77	1.45	0.79	8171	1757	77	1.60	0.90	7166	1541	78	1.85	1.0	6241	1342	78	2.10	1.2	5474	1177	78	2.40	1.4	4767	1025	78	2.80	1.5	4181	899	78	3.20	0.81	7966	1713	62	1.00	0.89	7231	1555	62	1.10	1.0	6213	1336	62	1.30	1.2	5422	1166	62	1.50	1.3	4790	1030	62	1.65	1.5	4204	904	62	1.90	1.8	3688	793	62	2.15	2.0	3237	696	62	2.45	2.3	2855	614	62	2.80	1.3	5125	1102	38	0.85	1.5	4451	957	38	0.95	1.6	3976	855	38	1.10	1.9	3455	743	38	1.25	2.1	3027	651	38	1.40	2.4	2665	573	38	1.60	2.8	2344	504	38	1.85	3.2	2032	437	38	2.10	3.6	1776	382	38	2.40	4.6	1418	305	38	3.05	5.4	1200	258	38	3.60	6.0	1079	232	38	4.00	7.0	925	199	38	4.65																					
5.8	855	113.10	18	1.75	GKA79		6.8	731	96.66	18	2.10						GKAF79	5.8	860	153.40	18			1.70	GK79	6P	114			44	12.14	3.5			3.40				6.6	755	134.74	18			1.95	GKF79	7.0	718	128.00	18	2.10	GKA79		7.9	634	113.10	18	2.30	GKAF79	9.1							551	153.40	19	2.60	GK79	4P	133	38	10.49	3.3		4.00			10	484			134.74	19	3.00	GKF79	11	459	128.00	19		3.10	GKA79	12			406			113.10			19	3.50	GKAF79	14	347	96.66	19	4.10	GKAF79	6P	156	32		8.91	3.2	4.70					7.2	693	123.54	11			1.15	GK69		8.2			606	108.03	11	1.30			GKF69	8.7	575	102.62	11	1.35	GKA69	9.9	505	90.04	12	1.55	GKAF69	4P		175	29	7.96			3.1	5.10					12			428		76.37	12	1.85	GKAF69	11			443	123.54	12	1.70	GK69	13	388	108.03	12	1.95	GKF69	15			323	90.04	12	2.40	GKA69		6P	204	24	6.80				3.0			5.70						18	274	76.37				12	2.80	GKAF69	8.2			607		108.29	7.0	0.95	GK59 GKF59 GKA59 GKAF59	218				23	6.37	2.9			5.90			8.7	577	102.88	7.2	1.00	9.9	506		90.26	7.8	1.15	12	429			76.56	8.2	1.35	13	388	69.12	8.4	1.50	15	341		60.81	8.6	1.70	15	322			57.42	8.7	1.80	11	445	123.85	8.1		1.25	13		389	108.29	8.4						1.45	GK59 GKF59 GKA59 GKAF59	259	19	5.36	2.8	6.80			14	369	102.88	8.4	1.50	15	324	90.26		8.6	1.70	18	275	76.56	8.8	2.00	20	248	69.12	8.9	2.20	23	218	60.81	9.0	2.60	24			206	57.42	9.1	2.70	13	375	104.37	5.6	1.00	GK49 GKF49 GKA49 GKAF49	0.75kW							15	326	90.86	6.2	1.15	16	306	85.12	6.5	1.50	18	270	75.20	6.8	1.40	20	251	69.84		6.9	1.50	22	227	63.30	7.1	1.65	24	204	56.83	7.3	1.80	28	176	48.95	7.4	2.10	30	165	46.04			7.5	2.20	24	210	58.60					4.6	0.90	GK39 GKF39 GKA39 GKAF39	0.11	60996	13116	158	0.85	GK189R99 GKA189R99	4P	28	179	49.79	4.6	1.05	31	160	44.46	4.5	1.15	37	136	37.97	4.4	1.35	39	128	35.57	4.4	1.45	46	108	29.96	4.2	1.75	48	103	28.83	4.2	1.80	56	90	24.99	4.1	2.10	60	84	23.36	4.0	2.20	69	72	20.19	3.9	2.40	81	62	17.15			3.8			2.70	0.12	54164	11647	169	0.95	GK169R99 GKA169R99	4P	0.19	34148	7343	171	1.50	0.21	31377	6747	171	1.65	0.23			27861					5991	171	1.90	0.16	40129	8629	135	0.85	GK159R99 GKF159R99 GKA159R99 GKAF159R99	4P	0.21	30516	6562	135	1.10	0.26	24903	5355	135	1.35	0.34	18969	4079	135	1.75					0.41	15700	3376	135	2.10	0.39	16463	3540	107	1.10			GK129R79 GKF129R79 GKA129R79 GKAF129R79	4P	0.46	14189	3051	108	1.25	0.84	7715	1659					110	2.30	GK109R79 GKF109R79 GKA109R79 GKAF109R79	4P	1.0	6348	1365	110	2.80	0.42	15398	3311	72	0.85	GK99R59 GKF99R59 GKA99R59 GKAF99R59	4P	0.46	13993	3009	75	0.95	0.53	12124	2607	76	1.10	0.72	8957	1926	77	1.45	0.79	8171	1757	77	1.60	0.90	7166	1541	78	1.85	1.0	6241	1342	78	2.10	1.2	5474	1177	78	2.40	1.4	4767	1025	78	2.80	1.5	4181	899	78	3.20	0.81	7966	1713	62	1.00	0.89	7231	1555	62	1.10	1.0	6213	1336	62	1.30	1.2	5422	1166	62	1.50	1.3	4790	1030	62	1.65	1.5	4204	904	62	1.90	1.8	3688	793	62	2.15	2.0	3237	696	62	2.45	2.3	2855	614	62	2.80	1.3	5125	1102	38	0.85	1.5	4451	957	38	0.95	1.6	3976	855	38	1.10	1.9	3455	743	38	1.25	2.1	3027	651	38	1.40	2.4	2665	573	38	1.60	2.8	2344	504	38	1.85	3.2	2032	437	38	2.10	3.6	1776	382	38	2.40	4.6	1418	305	38	3.05	5.4	1200	258	38	3.60	6.0	1079	232	38	4.00	7.0	925	199	38	4.65					
6.8	731	96.66	18	2.10	GKAF79		5.8	860	153.40	18	1.70				GK79		6P	114	44	12.14	3.5			3.40						6.6	755	134.74			18				1.95	GKF79	7.0	718			128.00	18	2.10	GKA79	7.9	634	113.10	18	2.30	GKAF79	9.1	551	153.40	19	2.60	GK79							4P	133	38	10.49	3.3		4.00			10		484			134.74	19			3.00	GKF79	11	459	128.00	19	3.10	GKA79	12	406	113.10	19			3.50			GKAF79			14	347	96.66	19	4.10	GKAF79	6P	156	32		8.91	3.2		4.70							7.2	693	123.54	11			1.15	GK69	8.2	606			108.03	11	1.30	GKF69			8.7	575	102.62	11	1.35	GKA69	9.9	505	90.04	12	1.55	GKAF69	4P			175	29	7.96			3.1	5.10									12	428	76.37	12	1.85	GKAF69			11	443	123.54	12	1.70	GK69	13	388	108.03	12	1.95	GKF69			15	323	90.04	12	2.40			GKA69	6P	204				24			6.80			3.0			5.70						18	274	76.37	12			2.80		GKAF69	8.2	607		108.29				7.0	0.95	GK59 GKF59 GKA59 GKAF59			218			23	6.37	2.9	5.90			8.7		577	102.88	7.2	1.00	9.9			506	90.26	7.8	1.15	12	429	76.56	8.2	1.35	13		388	69.12	8.4	1.50	15			341	60.81	8.6	1.70	15	322	57.42		8.7	1.80		11	445	123.85						8.1		1.25	13	389	108.29	8.4			1.45	GK59 GKF59 GKA59 GKAF59	259	19	5.36	2.8	6.80				14	369	102.88	8.4	1.50	15	324	90.26	8.6	1.70	18	275	76.56	8.8	2.00	20	248			69.12	8.9	2.20	23	218	60.81	9.0	2.60	24		206	57.42	9.1		2.70	13	375	104.37	5.6	1.00	GK49 GKF49 GKA49 GKAF49	0.75kW							15	326	90.86	6.2	1.15	16	306		85.12	6.5	1.50	18	270	75.20	6.8	1.40	20	251	69.84	6.9	1.50	22	227	63.30	7.1	1.65	24	204			56.83	7.3	1.80	28	176	48.95	7.4			2.10	30		165	46.04	7.5	2.20	24			210	58.60	4.6	0.90	GK39 GKF39 GKA39 GKAF39	0.11	60996	13116	158	0.85	GK189R99 GKA189R99	4P	28	179	49.79	4.6	1.05	31	160	44.46	4.5	1.15	37	136	37.97	4.4	1.35	39	128	35.57	4.4	1.45	46	108	29.96	4.2	1.75	48	103	28.83	4.2	1.80	56	90	24.99	4.1	2.10	60			84	23.36	4.0	2.20	69	72	20.19	3.9	2.40			81	62	17.15	3.8	2.70	0.12	54164	11647	169	0.95	GK169R99 GKA169R99	4P	0.19	34148	7343	171			1.50	0.21	31377	6747	171	1.65	0.23	27861			5991	171	1.90	0.16	40129	8629	135	0.85	GK159R99 GKF159R99 GKA159R99 GKAF159R99	4P	0.21	30516	6562	135	1.10			0.26	24903	5355	135	1.35	0.34	18969	4079	135	1.75	0.41	15700	3376	135			2.10	0.39	16463	3540	107	1.10	GK129R79 GKF129R79 GKA129R79 GKAF129R79	4P					0.46	14189			3051	108	1.25	0.84	7715	1659	110	2.30	GK109R79 GKF109R79 GKA109R79 GKAF109R79	4P			1.0	6348	1365	110	2.80	0.42	15398	3311	72	0.85	GK99R59 GKF99R59 GKA99R59 GKAF99R59	4P	0.46	13993	3009	75	0.95	0.53	12124	2607	76	1.10	0.72	8957	1926	77	1.45	0.79	8171	1757	77	1.60	0.90	7166	1541	78	1.85	1.0	6241	1342	78	2.10	1.2	5474	1177	78	2.40	1.4	4767	1025	78	2.80	1.5	4181	899	78	3.20	0.81	7966	1713	62	1.00	0.89	7231	1555	62	1.10	1.0	6213	1336	62	1.30	1.2	5422	1166	62	1.50	1.3	4790	1030	62	1.65	1.5	4204	904	62	1.90	1.8	3688	793	62	2.15	2.0	3237	696	62	2.45	2.3	2855	614	62	2.80	1.3	5125	1102	38	0.85	1.5	4451	957	38	0.95	1.6	3976	855	38	1.10	1.9	3455	743	38	1.25	2.1	3027	651	38	1.40	2.4	2665	573	38	1.60	2.8	2344	504	38	1.85	3.2	2032	437	38	2.10	3.6	1776	382	38	2.40	4.6	1418	305	38	3.05	5.4	1200	258	38	3.60	6.0	1079	232
5.8	860	153.40	18	1.70	GK79	6P	114	44	12.14	3.5	3.40																																																																																																																																																																																																																																																																																																																																																																																																																																																																																																																																																																																																																																																																																																																																								
6.6	755	134.74	18	1.95	GKF79		7.0	718	128.00	18	2.10								GKA79	7.9	634			113.10						18	2.30	GKAF79			9.1		551		153.40	19	2.60	GK79			4P	133	38	10.49	3.3	4.00			10	484	134.74	19	3.00	GKF79	11	459								128.00	19	3.10	GKA79		12			406	113.10	19			3.50	GKAF79			14	347	96.66	19	4.10	GKAF79	6P	156	32	8.91	3.2	4.70									7.2	693	123.54	11	1.15	GK69		8.2	606		108.03	11	1.30	GKF69							8.7	575	102.62	11			1.35	GKA69	9.9	505			90.04	12	1.55	GKAF69			4P	175	29	7.96	3.1	5.10			12	428	76.37	12			1.85	GKAF69	11	443			123.54	12									1.70	GK69	13	388	108.03	12			1.95	GKF69	15	323	90.04	12	2.40	GKA69	6P	204	24	6.80			3.0	5.70			18	274		76.37		12		2.80		GKAF69			8.2			607			108.29						7.0	0.95	GK59 GKF59 GKA59 GKAF59	218			23		6.37	2.9	5.90							8.7				577			102.88	7.2	1.00	9.9			506	90.26	7.8	1.15	12	429	76.56			8.2	1.35	13	388	69.12	8.4	1.50	15	341	60.81		8.6	1.70	15	322	57.42			8.7	1.80	11	445	123.85	8.1	1.25		13	389		108.29	8.4	1.45				GK59 GKF59 GKA59 GKAF59		259		19	5.36	2.8	6.80						14	369	102.88	8.4	1.50				15	324	90.26	8.6	1.70	18	275	76.56	8.8	2.00	20	248	69.12	8.9	2.20	23	218			60.81	9.0	2.60	24	206	57.42	9.1	2.70	13		375	104.37	5.6		1.00	GK49 GKF49 GKA49 GKAF49	0.75kW							15	326	90.86	6.2	1.15	16	306	85.12	6.5	1.50	18	270		75.20	6.8	1.40	20	251	69.84	6.9	1.50	22	227	63.30	7.1	1.65	24	204	56.83	7.3	1.80	28	176			48.95	7.4	2.10	30	165	46.04	7.5	2.20	24	210	58.60		4.6	0.90	GK39 GKF39 GKA39 GKAF39	0.11	60996			13116	158	0.85	GK189R99 GKA189R99		4P	28	179	49.79	4.6			1.05	31	160	44.46	4.5	1.15	37	136	37.97	4.4	1.35	39	128	35.57	4.4	1.45	46	108	29.96	4.2	1.75	48	103	28.83	4.2	1.80	56	90	24.99	4.1	2.10	60	84	23.36	4.0	2.20	69	72	20.19	3.9	2.40	81	62	17.15	3.8	2.70	0.12			54164	11647	169	0.95	GK169R99 GKA169R99	4P	0.19	34148	7343	171			1.50	0.21	31377	6747	171	1.65	0.23	27861	5991	171	1.90	0.16	40129	8629			135	0.85	GK159R99 GKF159R99 GKA159R99 GKAF159R99	4P	0.21	30516	6562	135			1.10	0.26	24903	5355	135	1.35	0.34	18969	4079	135	1.75	0.41	15700	3376	135	2.10	0.39	16463	3540	107	1.10	GK129R79 GKF129R79 GKA129R79 GKAF129R79	4P	0.46	14189	3051	108	1.25	0.84	7715	1659			110	2.30	GK109R79 GKF109R79 GKA109R79 GKAF109R79	4P	1.0	6348	1365	110	2.80	0.42	15398	3311	72	0.85	GK99R59 GKF99R59 GKA99R59 GKAF99R59	4P			0.46	13993	3009	75	0.95	0.53	12124	2607	76	1.10			0.72	8957	1926	77	1.45	0.79	8171	1757	77	1.60	0.90	7166	1541	78	1.85	1.0	6241	1342	78	2.10	1.2	5474	1177	78	2.40	1.4	4767	1025	78	2.80	1.5	4181	899	78	3.20	0.81	7966	1713	62	1.00	0.89	7231	1555	62	1.10	1.0	6213	1336	62	1.30	1.2	5422	1166	62	1.50	1.3	4790	1030	62	1.65	1.5	4204	904	62	1.90	1.8	3688	793	62	2.15	2.0	3237	696	62	2.45	2.3	2855	614	62	2.80	1.3	5125	1102	38	0.85	1.5	4451	957	38	0.95	1.6	3976	855	38	1.10	1.9	3455	743	38	1.25	2.1	3027	651	38	1.40	2.4	2665	573	38	1.60	2.8	2344	504	38	1.85	3.2	2032	437	38	2.10	3.6	1776	382	38	2.40	4.6	1418	305	38	3.05	5.4	1200	258	38	3.60	6.0	1079	232	38	4.00	7.0	925	199	38	4.65			
7.0	718	128.00	18	2.10	GKA79		7.9	634	113.10	18	2.30	GKAF79	9.1						551	153.40	19			2.60		GK79				4P	133	38			10.49		3.3		4.00			10				484	134.74	19	3.00	GKF79			11	459	128.00	19	3.10	GKA79	12	406								113.10	19	3.50	GKAF79	14	347			96.66	19	4.10			GKAF79	6P			156	32	8.91	3.2	4.70				7.2	693	123.54	11									1.15	GK69	8.2	606	108.03	11		1.30	GKF69	8.7	575	102.62	11	1.35							GKA69	9.9	505	90.04			12	1.55	GKAF69	4P			175	29	7.96	3.1				5.10			12	428			76.37	12	1.85	GKAF69		11	443	123.54	12	1.70			GK69	13									388	108.03	12	1.95	GKF69	15			323	90.04	12	2.40	GKA69	6P	204	24		6.80	3.0	5.70							18	274	76.37	12		2.80		GKAF69		8.2			607			108.29			7.0				0.95		GK59 GKF59 GKA59 GKAF59	218		23			6.37		2.9	5.90												8.7			577	102.88	7.2	1.00			9.9	506	90.26	7.8	1.15	12	429			76.56	8.2	1.35	13	388	69.12	8.4	1.50	15	341	60.81	8.6	1.70	15	322	57.42			8.7	1.80	11	445	123.85	8.1	1.25		13	389		108.29	8.4	1.45						GK59 GKF59 GKA59 GKAF59		259	19	5.36	2.8						6.80			14	369		102.88		8.4	1.50	15	324	90.26	8.6	1.70	18	275	76.56	8.8	2.00	20	248	69.12	8.9	2.20			23	218	60.81	9.0	2.60	24	206	57.42	9.1		2.70	13	375		104.37		5.6	1.00	GK49 GKF49 GKA49 GKAF49	0.75kW							15	326	90.86	6.2	1.15	16	306	85.12	6.5		1.50	18	270	75.20	6.8	1.40	20	251	69.84	6.9	1.50	22	227	63.30	7.1	1.65	24	204	56.83	7.3			1.80	28	176	48.95	7.4	2.10	30	165	46.04	7.5	2.20		24	210		58.60	4.6	0.90	GK39 GKF39 GKA39 GKAF39	0.11	60996	13116				158	0.85	GK189R99 GKA189R99	4P			28	179	49.79	4.6	1.05	31	160	44.46	4.5	1.15	37	136	37.97	4.4	1.35	39	128	35.57	4.4	1.45	46	108	29.96	4.2	1.75	48	103	28.83	4.2	1.80	56	90	24.99	4.1	2.10	60	84	23.36	4.0	2.20	69	72	20.19	3.9	2.40	81	62	17.15	3.8	2.70	0.12	54164	11647			169	0.95	GK169R99 GKA169R99	4P			0.19	34148	7343	171	1.50	0.21	31377	6747	171	1.65	0.23	27861	5991	171	1.90	0.16	40129	8629			135	0.85	GK159R99 GKF159R99 GKA159R99 GKAF159R99	4P			0.21	30516	6562	135	1.10	0.26	24903	5355	135	1.35	0.34	18969	4079	135	1.75	0.41	15700	3376	135	2.10	0.39			16463	3540	107	1.10	GK129R79 GKF129R79 GKA129R79 GKAF129R79	4P	0.46	14189			3051	108			1.25	0.84	7715	1659	110	2.30	GK109R79 GKF109R79 GKA109R79 GKAF109R79	4P	1.0	6348					1365	110	2.80	0.42	15398	3311	72	0.85	GK99R59 GKF99R59 GKA99R59 GKAF99R59	4P			0.46	13993	3009	75	0.95	0.53	12124	2607	76	1.10	0.72	8957	1926	77	1.45	0.79	8171	1757	77	1.60	0.90	7166	1541	78	1.85	1.0	6241	1342	78	2.10	1.2	5474	1177	78	2.40	1.4	4767	1025	78	2.80	1.5	4181	899	78	3.20	0.81	7966	1713	62	1.00	0.89	7231	1555	62	1.10	1.0	6213	1336	62	1.30	1.2	5422	1166	62	1.50	1.3	4790	1030	62	1.65	1.5	4204	904	62	1.90	1.8	3688	793	62	2.15	2.0	3237	696	62	2.45	2.3	2855	614	62	2.80	1.3	5125	1102	38	0.85	1.5	4451	957	38	0.95	1.6	3976	855	38	1.10	1.9	3455	743	38	1.25	2.1	3027	651	38	1.40	2.4	2665	573	38	1.60	2.8	2344	504	38	1.85	3.2	2032	437	38	2.10	3.6	1776	382	38	2.40	4.6	1418	305	38	3.05	5.4	1200	258	38	3.60	6.0	1079	232
7.9	634	113.10	18	2.30	GKAF79		9.1	551	153.40	19	2.60	GK79	4P				133		38	10.49	3.3			4.00								10	484	134.74	19		3.00		GKF79			11				459	128.00	19	3.10	GKA79			12	406	113.10	19	3.50	GKAF79	14	347					96.66	19	4.10	GKAF79	6P	156	32	8.91	3.2			4.70					7.2				693	123.54	11	1.15	GK69				8.2	606	108.03	11	1.30	GKF69							8.7	575	102.62	11	1.35	GKA69	9.9	505	90.04	12	1.55	GKAF69	4P	175							29	7.96	3.1	5.10			12	428	76.37				12	1.85	GKAF69	11				443			123.54	12			1.70	GK69	13	388	108.03	12	1.95	GKF69	15	323	90.04	12	2.40	GKA69									6P	204	24	6.80	3.0	5.70					18	274	76.37		12	2.80		GKAF69	8.2	607	108.29	7.0					0.95	GK59 GKF59 GKA59 GKAF59	218	23	6.37	2.9		5.90						8.7	577	102.88			7.2				1.00			9.9		506			90.26		7.8	1.15				12								429			76.56	8.2	1.35	13			388	69.12	8.4	1.50	15	341	60.81	8.6	1.70	15	322	57.42	8.7	1.80	11	445	123.85	8.1	1.25	13	389	108.29	8.4	1.45	GK59 GKF59 GKA59 GKAF59			259	19	5.36	2.8	6.80				14	369	102.88	8.4	1.50	15								324	90.26	8.6	1.70						18			275	76.56		8.8		2.00	20	248	69.12	8.9	2.20	23	218	60.81	9.0	2.60	24	206	57.42	9.1	2.70	13	375		104.37	5.6	1.00	GK49 GKF49 GKA49 GKAF49	0.75kW							15	326		90.86		6.2	1.15		16		306	85.12	6.5	1.50	18	270	75.20	6.8	1.40	20	251	69.84	6.9	1.50		22	227	63.30	7.1	1.65	24	204	56.83	7.3	1.80	28	176	48.95	7.4	2.10	30	165	46.04	7.5	2.20			24	210	58.60	4.6	0.90	GK39 GKF39 GKA39 GKAF39	0.11	60996	13116	158	0.85		GK189R99 GKA189R99	4P		28	179	49.79		4.6	1.05	31				160	44.46			4.5	1.15	37	136	37.97	4.4	1.35	39	128	35.57	4.4	1.45	46	108	29.96	4.2	1.75	48	103	28.83	4.2	1.80	56	90	24.99	4.1	2.10	60	84	23.36	4.0	2.20	69	72	20.19	3.9	2.40	81	62	17.15	3.8	2.70	0.12	54164	11647	169	0.95	GK169R99 GKA169R99	4P	0.19	34148	7343	171	1.50	0.21			31377	6747			171	1.65	0.23	27861	5991	171	1.90	0.16	40129	8629	135	0.85	GK159R99 GKF159R99 GKA159R99 GKAF159R99	4P	0.21	30516	6562	135	1.10	0.26			24903	5355			135	1.35	0.34	18969	4079	135	1.75	0.41	15700	3376	135	2.10	0.39	16463	3540	107	1.10	GK129R79 GKF129R79 GKA129R79 GKAF129R79	4P	0.46	14189	3051	108	1.25	0.84	7715	1659	110	2.30			GK109R79 GKF109R79 GKA109R79 GKAF109R79	4P	1.0	6348	1365	110	2.80	0.42	15398	3311	72	0.85	GK99R59 GKF99R59 GKA99R59 GKAF99R59	4P			0.46	13993					3009	75	0.95	0.53	12124	2607	76	1.10					0.72	8957	1926	77	1.45	0.79	8171	1757	77	1.60	0.90	7166	1541	78	1.85	1.0	6241	1342	78	2.10	1.2	5474	1177	78	2.40	1.4	4767	1025	78	2.80	1.5	4181	899	78	3.20	0.81	7966	1713	62	1.00	0.89	7231	1555	62	1.10	1.0	6213	1336	62	1.30	1.2	5422	1166	62	1.50	1.3	4790	1030	62	1.65	1.5	4204	904	62	1.90	1.8	3688	793	62	2.15	2.0	3237	696	62	2.45	2.3	2855	614	62	2.80	1.3	5125	1102	38	0.85	1.5	4451	957	38	0.95	1.6	3976	855	38	1.10	1.9	3455	743	38	1.25	2.1	3027	651	38	1.40	2.4	2665	573	38	1.60	2.8	2344	504	38	1.85	3.2	2032	437	38	2.10	3.6	1776	382	38	2.40	4.6	1418	305	38	3.05	5.4	1200	258	38	3.60	6.0	1079	232	38	4.00	7.0	925	199	38	4.65			
9.1	551	153.40	19	2.60	GK79	4P	133	38	10.49	3.3	4.00																																																																																																																																																																																																																																																																																																																																																																																																																																																																																																																																																																																																																																																																																																																																								
10	484	134.74	19	3.00	GKF79		11	459	128.00	19	3.10								GKA79	12	406	113.10	19	3.50				GKAF79	14			347	96.66	19	4.10		GKAF79		6P			156			32	8.91	3.2	4.70					7.2	693	123.54	11	1.15	GK69	8.2	606	108.03	11	1.30	GKF69	8.7	575	102.62	11		1.35	GKA69	9.9	505			90.04					12				1.55	GKAF69	4P	175	29		7.96		3.1	5.10			12	428		76.37	12		1.85	GKAF69	11	443	123.54	12	1.70	GK69	13	388	108.03	12	1.95	GKF69		15							323	90.04	12	2.40			GKA69	6P	204		24	6.80	3.0	5.70			18	274	76.37	12			2.80	GKAF69			8.2	607	108.29	7.0	0.95	GK59 GKF59 GKA59 GKAF59	218	23	6.37	2.9	5.90			8.7						577	102.88			7.2	1.00	9.9	506	90.26	7.8	1.15			12	429	76.56		8.2	1.35	13	388	69.12	8.4	1.50	15					341		60.81	8.6	1.70	15	322	57.42	8.7					1.80	11	445			123.85			8.1	1.25	13		389		108.29	8.4	1.45	GK59 GKF59 GKA59 GKAF59	259	19	5.36				2.8						6.80					14	369	102.88	8.4			1.50	15	324	90.26	8.6	1.70	18	275	76.56	8.8	2.00	20	248	69.12	8.9	2.20	23	218	60.81	9.0	2.60	24	206	57.42		9.1	2.70	13	375	104.37	5.6	1.00			GK49 GKF49 GKA49 GKAF49	0.75kW								15		326			90.86	6.2	1.15	16						306			85.12	6.5		1.50		18	270	75.20	6.8	1.40	20	251	69.84	6.9	1.50	22	227	63.30	7.1	1.65	24	204	56.83	7.3	1.80	28	176		48.95	7.4	2.10	30	165		46.04	7.5	2.20		24		210	58.60		4.6		0.90	GK39 GKF39 GKA39 GKAF39	0.11	60996	13116	158	0.85	GK189R99 GKA189R99	4P	28	179	49.79	4.6	1.05		31	160	44.46	4.5	1.15	37	136	37.97	4.4	1.35	39	128	35.57	4.4	1.45	46	108	29.96	4.2	1.75			48	103	28.83	4.2	1.80		56	90	24.99	4.1	2.10					60	84	23.36		4.0	2.20	69	72		20.19	3.9	2.40			81	62	17.15	3.8	2.70	0.12	54164	11647	169	0.95	GK169R99 GKA169R99	4P	0.19	34148	7343	171	1.50	0.21	31377	6747	171	1.65	0.23	27861	5991	171	1.90	0.16	40129	8629	135	0.85	GK159R99 GKF159R99 GKA159R99 GKAF159R99	4P	0.21	30516	6562	135	1.10	0.26	24903	5355	135	1.35	0.34	18969	4079			135	1.75	0.41	15700	3376	135	2.10	0.39	16463	3540			107	1.10	GK129R79 GKF129R79 GKA129R79 GKAF129R79	4P	0.46	14189	3051	108	1.25	0.84	7715	1659			110	2.30	GK109R79 GKF109R79 GKA109R79 GKAF109R79	4P	1.0	6348	1365	110	2.80	0.42			15398	3311	72	0.85	GK99R59 GKF99R59 GKA99R59 GKAF99R59	4P	0.46	13993	3009	75	0.95	0.53	12124	2607	76	1.10	0.72	8957	1926	77	1.45	0.79	8171	1757	77	1.60	0.90	7166	1541	78	1.85	1.0	6241	1342	78	2.10	1.2	5474	1177	78	2.40	1.4	4767			1025	78	2.80	1.5			4181	899	78	3.20	0.81	7966	1713	62	1.00	0.89			7231	1555	62	1.10	1.0	6213	1336	62	1.30	1.2	5422	1166	62	1.50	1.3	4790	1030	62	1.65	1.5	4204	904	62	1.90	1.8	3688	793	62	2.15	2.0	3237	696	62	2.45	2.3	2855	614	62	2.80	1.3	5125	1102	38	0.85	1.5	4451	957	38	0.95	1.6	3976	855	38	1.10	1.9	3455	743	38	1.25	2.1	3027	651	38	1.40	2.4	2665	573	38	1.60	2.8	2344	504	38	1.85	3.2	2032	437	38	2.10	3.6	1776	382	38	2.40	4.6	1418	305	38	3.05	5.4	1200	258	38	3.60	6.0	1079	232	38	4.00	7.0	925	199	38	4.65																																														
11	459	128.00	19	3.10	GKA79		12	406	113.10	19	3.50			GKAF79		14			347	96.66	19	4.10	GKAF79	6P				156	32	8.91		3.2	4.70				7.2					693			123.54	11	1.15	GK69					8.2	606	108.03	11	1.30	GKF69	8.7	575	102.62	11	1.35	GKA69	9.9	505	90.04	12		1.55	GKAF69	4P	175			29					7.96	3.1			5.10				12		428		76.37	12			1.85	GKAF69		11	443		123.54	12	1.70	GK69	13	388	108.03	12	1.95	GKF69	15	323	90.04	12		2.40							GKA69	6P	204	24			6.80		3.0	5.70			18	274			76.37	12	2.80	GKAF69			8.2	607			108.29	7.0	0.95	GK59 GKF59 GKA59 GKAF59	218		23	6.37	2.9	5.90										8.7	577			102.88	7.2	1.00	9.9	506	90.26	7.8			1.15	12	429	76.56	8.2	1.35	13	388	69.12	8.4	1.50	15					341		60.81	8.6	1.70	15	322	57.42	8.7					1.80	11	445			123.85			8.1	1.25	13		389		108.29	8.4	1.45		GK59 GKF59 GKA59 GKAF59	259	19		5.36		2.8						6.80							14	369			102.88	8.4	1.50	15	324	90.26	8.6	1.70	18	275	76.56	8.8	2.00	20	248	69.12	8.9	2.20	23	218	60.81	9.0	2.60	24		206	57.42	9.1	2.70	13	375	104.37				5.6	1.00	GK49 GKF49 GKA49 GKAF49	0.75kW							15		326	90.86	6.2	1.15	16						306			85.12	6.5		1.50		18	270	75.20	6.8	1.40	20	251	69.84	6.9	1.50	22	227	63.30	7.1	1.65	24	204	56.83	7.3	1.80	28	176		48.95	7.4	2.10	30	165	46.04	7.5	2.20	24		210		58.60	4.6		0.90		GK39 GKF39 GKA39 GKAF39		0.11	60996	13116	158	0.85			GK189R99 GKA189R99	4P	28	179	49.79		4.6	1.05	31	160	44.46	4.5	1.15	37	136	37.97	4.4	1.35	39	128	35.57	4.4	1.45	46	108	29.96			4.2	1.75	48	103	28.83		4.2	1.80	56	90	24.99					4.1	2.10	60		84	23.36	4.0	2.20		69	72	20.19	3.9	2.40	81	62	17.15	3.8	2.70	0.12	54164	11647	169	0.95			GK169R99 GKA169R99	4P	0.19	34148	7343	171	1.50	0.21	31377	6747	171	1.65	0.23	27861	5991	171	1.90	0.16	40129	8629			135	0.85	GK159R99 GKF159R99 GKA159R99 GKAF159R99	4P	0.21	30516	6562	135	1.10	0.26	24903	5355	135			1.35	0.34	18969	4079	135	1.75	0.41	15700	3376	135	2.10	0.39	16463	3540			107	1.10	GK129R79 GKF129R79 GKA129R79 GKAF129R79	4P	0.46	14189	3051	108			1.25	0.84			7715	1659	110	2.30	GK109R79 GKF109R79 GKA109R79 GKAF109R79	4P	1.0	6348	1365	110	2.80	0.42			15398	3311	72	0.85	GK99R59 GKF99R59 GKA99R59 GKAF99R59	4P	0.46	13993	3009	75	0.95	0.53	12124	2607	76	1.10	0.72	8957	1926	77	1.45	0.79	8171	1757	77	1.60	0.90	7166	1541	78	1.85	1.0	6241	1342	78	2.10	1.2			5474	1177	78	2.40			1.4	4767	1025	78	2.80	1.5	4181	899	78	3.20			0.81	7966	1713	62	1.00	0.89	7231	1555	62	1.10	1.0	6213	1336	62	1.30	1.2	5422	1166	62	1.50	1.3	4790	1030	62	1.65	1.5	4204	904	62	1.90	1.8	3688	793	62	2.15	2.0	3237	696	62	2.45	2.3	2855	614	62	2.80	1.3	5125	1102	38	0.85	1.5	4451	957	38	0.95	1.6	3976	855	38	1.10	1.9	3455	743	38	1.25	2.1	3027	651	38	1.40	2.4	2665	573	38	1.60	2.8	2344	504	38	1.85	3.2	2032	437	38	2.10	3.6	1776	382	38	2.40	4.6	1418	305	38	3.05	5.4	1200	258	38	3.60	6.0	1079	232	38	4.00	7.0	925	199	38	4.65																																								
12	406	113.10	19	3.50	GKAF79		14	347	96.66	19	4.10		GKAF79	6P		156			32	8.91	3.2	4.70							7.2	693		123.54	11				1.15					GK69	8.2	606	108.03	11	1.30	GKF69					8.7	575	102.62	11	1.35	GKA69	9.9	505	90.04	12	1.55	GKAF69	4P	175	29	7.96	3.1	5.10						12					428	76.37	12	1.85	GKAF69				11		443		123.54	12			1.70	GK69		13	388		108.03	12	1.95	GKF69	15	323	90.04	12	2.40	GKA69	6P	204	24	6.80	3.0	5.70							18		274	76.37			12		2.80	GKAF69			8.2	607			108.29	7.0	0.95	GK59 GKF59 GKA59 GKAF59			218	23			6.37	2.9	5.90					8.7	577	102.88						7.2	1.00			9.9	506		90.26	7.8	1.15	12	429	76.56	8.2	1.35			13	388	69.12	8.4	1.50	15	341	60.81	8.6	1.70	15	322					57.42		8.7	1.80	11	445	123.85	8.1	1.25		13	389		108.29	8.4	1.45			GK59 GKF59 GKA59 GKAF59			259	19	5.36		2.8		6.80					14	369		102.88		8.4	1.50	15			324	90.26							8.6	1.70			18	275	76.56	8.8	2.00	20	248	69.12	8.9	2.20	23	218	60.81	9.0	2.60	24	206	57.42	9.1	2.70	13	375	104.37	5.6		1.00	GK49 GKF49 GKA49 GKAF49	0.75kW								15	326		90.86	6.2	1.15	16	306	85.12		6.5		1.50	18	270	75.20	6.8					1.40	20			251	69.84		6.9		1.50	22	227	63.30	7.1	1.65	24	204	56.83	7.3	1.80	28	176	48.95	7.4	2.10	30	165	46.04	7.5	2.20	24		210	58.60	4.6	0.90	GK39 GKF39 GKA39 GKAF39	0.11	60996	13116	158		0.85		GK189R99 GKA189R99	4P		28	179			49.79	4.6	1.05	31	160					44.46	4.5	1.15		37	136	37.97	4.4	1.35	39	128	35.57	4.4	1.45	46	108	29.96	4.2	1.75	48	103	28.83	4.2	1.80			56	90	24.99	4.1	2.10		60	84	23.36	4.0	2.20		69	72		20.19	3.9	2.40		81	62	17.15	3.8		2.70	0.12	54164	11647	169	0.95	GK169R99 GKA169R99	4P	0.19	34148	7343	171	1.50	0.21	31377					6747	171	1.65	0.23	27861	5991	171	1.90	0.16	40129	8629	135	0.85	GK159R99 GKF159R99 GKA159R99 GKAF159R99	4P	0.21	30516	6562			135	1.10			0.26	24903	5355	135	1.35	0.34	18969	4079	135	1.75	0.41	15700	3376	135	2.10	0.39	16463	3540	107	1.10	GK129R79 GKF129R79 GKA129R79 GKAF129R79	4P	0.46	14189	3051	108	1.25	0.84	7715			1659	110	2.30	GK109R79 GKF109R79 GKA109R79 GKAF109R79	4P	1.0	6348	1365	110	2.80	0.42	15398	3311	72			0.85	GK99R59 GKF99R59 GKA99R59 GKAF99R59	4P	0.46	13993	3009			75	0.95	0.53	12124			2607	76	1.10	0.72	8957	1926	77	1.45	0.79	8171	1757	77	1.60	0.90	7166	1541	78	1.85	1.0	6241	1342	78	2.10	1.2	5474	1177	78	2.40	1.4	4767	1025			78	2.80	1.5	4181	899	78	3.20	0.81	7966	1713	62	1.00	0.89	7231	1555	62			1.10	1.0	6213	1336	62	1.30	1.2	5422	1166	62	1.50	1.3	4790	1030	62	1.65	1.5	4204	904	62	1.90	1.8	3688	793	62	2.15	2.0	3237	696	62	2.45	2.3	2855	614	62	2.80	1.3	5125	1102	38	0.85	1.5	4451	957	38	0.95	1.6	3976	855	38	1.10	1.9	3455	743	38	1.25	2.1	3027	651	38	1.40	2.4	2665	573	38	1.60	2.8	2344	504	38	1.85	3.2	2032	437	38	2.10	3.6	1776	382	38	2.40	4.6	1418	305	38	3.05	5.4	1200	258	38	3.60	6.0	1079	232	38	4.00	7.0	925	199	38	4.65																																																	
14	347	96.66	19	4.10	GKAF79	6P	156	32	8.91	3.2	4.70																																																																																																																																																																																																																																																																																																																																																																																																																																																																																																																																																																																																																																																																																																																																								
7.2	693	123.54	11	1.15	GK69		8.2	606	108.03	11	1.30								GKF69	8.7	575	102.62			11		1.35		GKA69	9.9		505	90.04			12	1.55	GKAF69	4P			175	29	7.96	3.1	5.10							12	428	76.37	12	1.85	GKAF69	11	443	123.54	12	1.70	GK69		13	388	108.03	12	1.95				GKF69	15	323			90.04	12	2.40	GKA69	6P	204	24		6.80		3.0		5.70						18	274		76.37	12		2.80	GKAF69	8.2	607	108.29	7.0	0.95	GK59 GKF59 GKA59 GKAF59	218	23		6.37	2.9	5.90			8.7	577	102.88	7.2			1.00		9.9	506			90.26	7.8	1.15	12			429	76.56			8.2	1.35	13				388	69.12			8.4	1.50	15					341	60.81	8.6					1.70	15	322	57.42	8.7	1.80	11	445	123.85	8.1	1.25	13	389	108.29	8.4	1.45			GK59 GKF59 GKA59 GKAF59	259	19	5.36	2.8	6.80			14	369	102.88	8.4					1.50		15	324	90.26	8.6	1.70	18	275		76.56	8.8		2.00	20	248	69.12	8.9		2.20	23	218	60.81	9.0		2.60	24	206					57.42	9.1		2.70		13	375	104.37			5.6	1.00			GK49 GKF49 GKA49 GKAF49	0.75kW							15	326	90.86	6.2	1.15	16	306	85.12	6.5	1.50	18	270	75.20	6.8	1.40	20	251	69.84	6.9	1.50	22	227	63.30	7.1		1.65		24	204	56.83	7.3	1.80				28	176		48.95	7.4	2.10	30	165	46.04	7.5	2.20		24	210	58.60	4.6	0.90		GK39 GKF39 GKA39 GKAF39	0.11		60996	13116			158	0.85	GK189R99 GKA189R99	4P	28	179	49.79	4.6	1.05	31	160	44.46	4.5	1.15	37	136	37.97	4.4	1.35	39	128	35.57	4.4	1.45	46	108	29.96		4.2	1.75	48	103		28.83	4.2	1.80	56	90	24.99	4.1				2.10	60			84	23.36	4.0	2.20	69	72	20.19			3.9	2.40	81		62	17.15	3.8	2.70	0.12	54164	11647	169	0.95	GK169R99 GKA169R99	4P	0.19	34148	7343	171	1.50	0.21	31377	6747	171			1.65	0.23	27861	5991	171		1.90	0.16	40129	8629	135		0.85	GK159R99 GKF159R99 GKA159R99 GKAF159R99		4P	0.21	30516		6562	135	1.10	0.26		24903	5355	135	1.35	0.34	18969			4079	135	1.75	0.41	15700	3376	135	2.10	0.39			16463	3540	107	1.10	GK129R79 GKF129R79 GKA129R79 GKAF129R79	4P	0.46	14189	3051	108	1.25	0.84	7715			1659	110	2.30	GK109R79 GKF109R79 GKA109R79 GKAF109R79	4P	1.0	6348			1365	110	2.80	0.42	15398	3311	72	0.85	GK99R59 GKF99R59 GKA99R59 GKAF99R59	4P	0.46	13993	3009	75	0.95	0.53	12124	2607	76	1.10	0.72	8957	1926	77	1.45	0.79	8171	1757	77	1.60	0.90	7166	1541	78	1.85	1.0	6241	1342	78	2.10	1.2	5474	1177	78	2.40	1.4	4767	1025			78	2.80	1.5			4181	899	78	3.20			0.81	7966	1713	62	1.00	0.89	7231	1555	62	1.10	1.0	6213	1336	62	1.30	1.2	5422	1166	62	1.50	1.3	4790	1030	62	1.65	1.5	4204	904	62	1.90	1.8	3688	793	62	2.15	2.0	3237	696	62	2.45	2.3	2855	614	62	2.80	1.3	5125	1102	38	0.85	1.5	4451	957	38	0.95	1.6	3976	855	38	1.10	1.9	3455	743	38	1.25	2.1	3027	651	38	1.40	2.4	2665	573	38	1.60	2.8	2344	504	38	1.85	3.2	2032	437	38	2.10	3.6	1776	382	38	2.40	4.6	1418	305	38	3.05	5.4	1200	258	38	3.60	6.0	1079	232	38	4.00	7.0	925	199	38	4.65																																																																																											
8.2	606	108.03	11	1.30	GKF69		8.7	575	102.62	11	1.35				GKA69			9.9	505	90.04	12	1.55		GKAF69	4P		175		29	7.96		3.1	5.10					12				428	76.37	12	1.85	GKAF69							11	443	123.54	12	1.70	GK69	13	388	108.03	12	1.95	GKF69		15	323	90.04	12	2.40		GKA69		6P	204	24			6.80	3.0	5.70				18		274		76.37		12						2.80	GKAF69		8.2	607		108.29	7.0	0.95	GK59 GKF59 GKA59 GKAF59	218	23	6.37		2.9	5.90				8.7			577	102.88	7.2	1.00			9.9	506	90.26	7.8			1.15	12	429	76.56			8.2	1.35			13	388	69.12				8.4	1.50			15	341	60.81					8.6	1.70	15					322	57.42	8.7	1.80	11	445	123.85	8.1	1.25	13	389	108.29	8.4	1.45	GK59 GKF59 GKA59 GKAF59	259				19	5.36	2.8	6.80					14	369	102.88					8.4		1.50	15	324	90.26	8.6	1.70	18		275	76.56		8.8	2.00	20	248	69.12		8.9	2.20	23	218	60.81	9.0	2.60	24	206					57.42	9.1		2.70		13	375	104.37			5.6	1.00				GK49 GKF49 GKA49 GKAF49			0.75kW							15	326	90.86	6.2	1.15	16	306	85.12	6.5	1.50	18	270	75.20	6.8	1.40	20	251	69.84	6.9	1.50	22		227		63.30	7.1	1.65	24	204				56.83	7.3		1.80	28	176	48.95	7.4	2.10	30	165	46.04	7.5	2.20	24	210	58.60			4.6		0.90	GK39 GKF39 GKA39 GKAF39			0.11	60996			13116	158	0.85	GK189R99 GKA189R99	4P	28	179	49.79	4.6	1.05	31	160	44.46	4.5	1.15	37	136	37.97	4.4	1.35	39	128	35.57		4.4	1.45	46	108		29.96	4.2	1.75	48	103	28.83	4.2			1.80	56	90			24.99	4.1	2.10	60	84	23.36	4.0	2.20	69	72	20.19	3.9	2.40	81	62	17.15	3.8	2.70	0.12	54164	11647	169			0.95	GK169R99 GKA169R99	4P	0.19	34148	7343	171	1.50	0.21			31377	6747	171	1.65	0.23		27861	5991	171	1.90	0.16		40129				8629	135		0.85	GK159R99 GKF159R99 GKA159R99 GKAF159R99	4P	0.21		30516	6562	135	1.10	0.26	24903			5355	135	1.35	0.34	18969	4079	135	1.75	0.41	15700	3376	135	2.10	0.39	16463			3540	107	1.10	GK129R79 GKF129R79 GKA129R79 GKAF129R79	4P	0.46	14189			3051	108	1.25			0.84	7715	1659	110	2.30	GK109R79 GKF109R79 GKA109R79 GKAF109R79	4P	1.0	6348	1365	110	2.80			0.42	15398	3311	72	0.85	GK99R59 GKF99R59 GKA99R59 GKAF99R59	4P	0.46	13993	3009	75	0.95	0.53	12124	2607	76	1.10	0.72	8957	1926	77	1.45	0.79	8171	1757	77	1.60	0.90	7166	1541	78	1.85	1.0	6241	1342	78	2.10	1.2			5474	1177	78			2.40	1.4	4767	1025			78	2.80	1.5	4181	899	78	3.20	0.81	7966	1713	62	1.00	0.89	7231	1555	62	1.10	1.0	6213	1336	62	1.30	1.2	5422	1166	62	1.50	1.3	4790	1030	62	1.65	1.5	4204	904	62	1.90	1.8	3688	793	62	2.15	2.0	3237	696	62	2.45	2.3	2855	614	62	2.80	1.3	5125	1102	38	0.85	1.5	4451	957	38	0.95	1.6	3976	855	38	1.10	1.9	3455	743	38	1.25	2.1	3027	651	38	1.40	2.4	2665	573	38	1.60	2.8	2344	504	38	1.85	3.2	2032	437	38	2.10	3.6	1776	382	38	2.40	4.6	1418	305	38	3.05	5.4	1200	258	38	3.60	6.0	1079	232	38	4.00	7.0	925	199	38	4.65																																																																																				
8.7	575	102.62	11	1.35	GKA69		9.9	505	90.04	12	1.55			GKAF69	4P			175	29	7.96	3.1	5.10							12	428		76.37	12					1.85				GKAF69	11	443	123.54	12					1.70	GK69	13	388	108.03	12	1.95	GKF69	15	323	90.04	12	2.40	GKA69	6P	204	24	6.80	3.0	5.70						18			274	76.37	12				2.80		GKAF69		8.2		607						108.29	7.0	0.95	GK59 GKF59 GKA59 GKAF59	218	23	6.37	2.9	5.90				8.7		577	102.88	7.2			1.00			9.9	506	90.26	7.8			1.15	12	429	76.56			8.2	1.35	13	388			69.12	8.4			1.50	15	341				60.81	8.6	1.70	15	322	57.42	8.7					1.80	11	445					123.85	8.1	1.25	13	389	108.29	8.4	1.45	GK59 GKF59 GKA59 GKAF59	259	19	5.36	2.8	6.80							14	369	102.88					8.4	1.50	15			324	90.26	8.6	1.70	18	275	76.56	8.8	2.00	20	248		69.12	8.9		2.20	23	218	60.81	9.0		2.60	24	206	57.42	9.1	2.70	13	375	104.37					5.6	1.00		GK49 GKF49 GKA49 GKAF49	0.75kW							15							326	90.86	6.2	1.15	16	306	85.12	6.5	1.50	18	270	75.20	6.8	1.40	20	251	69.84	6.9	1.50	22	227	63.30	7.1	1.65	24	204	56.83	7.3	1.80	28		176	48.95	7.4	2.10	30				165	46.04		7.5	2.20	24	210	58.60	4.6	0.90	GK39 GKF39 GKA39 GKAF39	0.11	60996	13116	158	0.85	GK189R99 GKA189R99	4P		28	179	49.79				4.6	1.05			31	160	44.46			4.5	1.15	37	136	37.97	4.4	1.35	39	128	35.57	4.4	1.45	46	108	29.96	4.2	1.75	48	103	28.83	4.2	1.80	56		90	24.99	4.1	2.10	60	84	23.36	4.0	2.20	69	72	20.19			3.9	2.40	81	62	17.15	3.8	2.70	0.12	54164	11647	169	0.95	GK169R99 GKA169R99	4P	0.19	34148	7343	171	1.50	0.21	31377	6747			171			1.65	0.23	27861	5991	171	1.90		0.16	40129	8629	135	0.85	GK159R99 GKF159R99 GKA159R99 GKAF159R99		4P	0.21	30516	6562	135		1.10				0.26	24903		5355			135		1.35	0.34	18969	4079	135	1.75	0.41	15700	3376	135	2.10	0.39	16463	3540	107	1.10	GK129R79 GKF129R79 GKA129R79 GKAF129R79	4P	0.46	14189	3051	108	1.25	0.84	7715	1659	110	2.30			GK109R79 GKF109R79 GKA109R79 GKAF109R79	4P	1.0	6348	1365	110	2.80	0.42	15398	3311	72	0.85	GK99R59 GKF99R59 GKA99R59 GKAF99R59	4P			0.46	13993	3009	75	0.95			0.53	12124	2607	76	1.10			0.72	8957	1926	77	1.45	0.79	8171	1757	77	1.60	0.90	7166	1541	78	1.85	1.0	6241	1342	78	2.10	1.2	5474	1177	78	2.40	1.4	4767	1025	78	2.80	1.5			4181	899	78	3.20	0.81	7966	1713	62	1.00			0.89	7231	1555	62	1.10	1.0	6213	1336	62	1.30	1.2	5422	1166	62	1.50	1.3	4790	1030	62	1.65	1.5	4204	904	62	1.90	1.8	3688	793	62	2.15	2.0	3237	696	62	2.45	2.3	2855	614	62	2.80	1.3	5125	1102	38	0.85	1.5	4451	957	38	0.95	1.6	3976	855	38	1.10	1.9	3455	743	38	1.25	2.1	3027	651	38	1.40	2.4	2665	573	38	1.60	2.8	2344	504	38	1.85	3.2	2032	437	38	2.10	3.6	1776	382	38	2.40	4.6	1418	305	38	3.05	5.4	1200	258	38	3.60	6.0	1079	232	38	4.00	7.0	925	199	38	4.65																																																																																																
9.9	505	90.04	12	1.55	GKAF69	4P	175	29	7.96	3.1	5.10																																																																																																																																																																																																																																																																																																																																																																																																																																																																																																																																																																																																																																																																																																																																								
12	428	76.37	12	1.85	GKAF69		11	443	123.54	12	1.70								GK69	13	388	108.03				12			1.95	GKF69	15	323	90.04					12	2.40	GKA69	6P	204	24	6.80	3.0	5.70							18	274	76.37	12	2.80	GKAF69	8.2	607	108.29	7.0	0.95	GK59 GKF59 GKA59 GKAF59		218	23	6.37	2.9	5.90								8.7	577	102.88	7.2		1.00		9.9		506		90.26	7.8	1.15	12					429	76.56	8.2		1.35	13	388	69.12	8.4				1.50		15	341	60.81			8.6			1.70	15	322	57.42			8.7	1.80	11	445	123.85	8.1	1.25	13	389	108.29			8.4	1.45			GK59 GKF59 GKA59 GKAF59	259	19		5.36	2.8	6.80			14	369	102.88	8.4			1.50		15	324	90.26					8.6	1.70	18	275	76.56	8.8	2.00	20		248	69.12	8.9	2.20	23			218	60.81			9.0	2.60	24					206	57.42	9.1	2.70	13	375	104.37	5.6	1.00	GK49 GKF49 GKA49 GKAF49	0.75kW							15	326	90.86	6.2	1.15	16	306	85.12		6.5	1.50	18	270	75.20	6.8	1.40	20	251			69.84		6.9	1.50	22		227	63.30	7.1	1.65	24	204	56.83	7.3							1.80	28	176	48.95	7.4	2.10	30	165	46.04	7.5	2.20	24	210	58.60	4.6	0.90	GK39 GKF39 GKA39 GKAF39	0.11	60996	13116	158	0.85	GK189R99 GKA189R99	4P	28	179	49.79	4.6	1.05	31		160	44.46	4.5	1.15	37	136	37.97	4.4	1.35	39		128	35.57	4.4	1.45	46	108	29.96		4.2	1.75	48	103	28.83				4.2	1.80	56		90	24.99	4.1	2.10	60	84	23.36	4.0	2.20			69	72	20.19	3.9	2.40	81	62	17.15	3.8	2.70	0.12	54164	11647	169	0.95	GK169R99 GKA169R99	4P	0.19	34148	7343	171	1.50	0.21		31377	6747	171	1.65	0.23	27861	5991	171	1.90	0.16	40129	8629			135	0.85	GK159R99 GKF159R99 GKA159R99 GKAF159R99	4P	0.21	30516	6562	135	1.10	0.26	24903	5355			135	1.35	0.34	18969	4079	135	1.75	0.41	15700	3376	135			2.10	0.39	16463	3540	107	1.10	GK129R79 GKF129R79 GKA129R79 GKAF129R79	4P	0.46	14189	3051	108				1.25	0.84	7715	1659		110	2.30		GK109R79 GKF109R79 GKA109R79 GKAF109R79	4P	1.0		6348			1365		110	2.80	0.42	15398	3311	72	0.85	GK99R59 GKF99R59 GKA99R59 GKAF99R59	4P	0.46	13993	3009	75	0.95	0.53	12124	2607	76	1.10	0.72	8957	1926	77	1.45	0.79	8171	1757	77	1.60	0.90	7166	1541	78	1.85	1.0	6241	1342	78	2.10	1.2	5474	1177			78	2.40	1.4	4767	1025	78	2.80			1.5	4181	899	78	3.20			0.81	7966	1713	62	1.00	0.89	7231	1555	62	1.10	1.0	6213	1336	62	1.30	1.2	5422	1166	62	1.50	1.3	4790	1030	62	1.65	1.5	4204	904	62	1.90	1.8	3688	793	62	2.15	2.0	3237	696	62	2.45	2.3	2855	614	62	2.80	1.3	5125	1102	38	0.85	1.5	4451	957	38	0.95	1.6	3976	855	38	1.10	1.9	3455	743	38	1.25	2.1	3027	651	38	1.40	2.4	2665	573	38	1.60	2.8	2344	504	38	1.85	3.2	2032	437	38	2.10	3.6	1776	382	38	2.40	4.6	1418	305	38	3.05	5.4	1200	258	38	3.60	6.0	1079	232	38	4.00	7.0	925	199	38	4.65																																																																																																																																							
11	443	123.54	12	1.70	GK69		13	388	108.03	12	1.95	GKF69					15		323	90.04	12	2.40			GKA69	6P			204	24	6.80	3.0	5.70							18		274	76.37	12	2.80	GKAF69							8.2	607	108.29	7.0	0.95	GK59 GKF59 GKA59 GKAF59	218	23	6.37	2.9	5.90					8.7	577	102.88				7.2				1.00	9.9	506	90.26		7.8		1.15		12		429	76.56	8.2	1.35					13	388	69.12		8.4	1.50	15	341	60.81				8.6		1.70	15	322			57.42			8.7	1.80	11	445			123.85	8.1	1.25	13	389	108.29	8.4	1.45	GK59 GKF59 GKA59 GKAF59	259			19	5.36				2.8	6.80				14			369	102.88	8.4	1.50	15		324		90.26	8.6	1.70					18	275	76.56	8.8	2.00	20	248	69.12		8.9	2.20	23	218	60.81			9.0	2.60			24	206	57.42					9.1	2.70	13	375	104.37	5.6	1.00	GK49 GKF49 GKA49 GKAF49	0.75kW							15	326	90.86	6.2	1.15	16	306	85.12	6.5	1.50		18	270	75.20	6.8	1.40	20	251	69.84	6.9			1.50	22	227	63.30	7.1		1.65	24	204	56.83	7.3	1.80	28	176							48.95	7.4	2.10	30	165	46.04	7.5	2.20	24	210	58.60	4.6	0.90	GK39 GKF39 GKA39 GKAF39	0.11	60996		13116	158	0.85	GK189R99 GKA189R99	4P			28	179	49.79	4.6	1.05	31		160	44.46	4.5	1.15	37	136	37.97	4.4	1.35	39	128	35.57	4.4	1.45	46	108	29.96	4.2		1.75	48	103	28.83	4.2				1.80	56	90		24.99	4.1	2.10	60	84	23.36	4.0	2.20	69	72	20.19	3.9	2.40	81	62	17.15	3.8	2.70	0.12	54164	11647	169	0.95	GK169R99 GKA169R99	4P	0.19			34148	7343	171	1.50	0.21	31377		6747	171	1.65	0.23	27861	5991	171	1.90	0.16	40129	8629	135			0.85	GK159R99 GKF159R99 GKA159R99 GKAF159R99			4P	0.21	30516	6562	135	1.10	0.26	24903			5355	135	1.35	0.34	18969	4079	135	1.75	0.41	15700	3376	135	2.10	0.39	16463	3540	107	1.10	GK129R79 GKF129R79 GKA129R79 GKAF129R79			4P	0.46	14189	3051				108	1.25	0.84	7715	1659	110	2.30				GK109R79 GKF109R79 GKA109R79 GKAF109R79		4P	1.0	6348	1365		110	2.80	0.42	15398	3311	72	0.85			GK99R59 GKF99R59 GKA99R59 GKAF99R59	4P	0.46	13993	3009	75	0.95	0.53	12124	2607	76	1.10	0.72	8957	1926	77	1.45	0.79	8171	1757	77	1.60	0.90	7166	1541	78	1.85	1.0	6241	1342	78	2.10	1.2			5474	1177	78	2.40	1.4	4767	1025			78	2.80	1.5	4181	899			78	3.20	0.81	7966	1713	62	1.00	0.89	7231	1555	62	1.10	1.0	6213	1336	62	1.30	1.2	5422	1166	62	1.50	1.3	4790	1030	62	1.65	1.5	4204	904	62	1.90	1.8	3688	793	62	2.15	2.0	3237	696	62	2.45	2.3	2855	614	62	2.80	1.3	5125	1102	38	0.85	1.5	4451	957	38	0.95	1.6	3976	855	38	1.10	1.9	3455	743	38	1.25	2.1	3027	651	38	1.40	2.4	2665	573	38	1.60	2.8	2344	504	38	1.85	3.2	2032	437	38	2.10	3.6	1776	382	38	2.40	4.6	1418	305	38	3.05	5.4	1200	258	38	3.60	6.0	1079	232	38	4.00	7.0	925	199	38	4.65																																																																																																																																					
13	388	108.03	12	1.95	GKF69		15	323	90.04	12	2.40	GKA69			6P		204		24	6.80	3.0	5.70								18	274	76.37	12							2.80		GKAF69	8.2	607	108.29	7.0			0.95	GK59 GKF59 GKA59 GKAF59			218	23	6.37	2.9	5.90				8.7	577	102.88		7.2			1.00	9.9	506				90.26				7.8	1.15	12	429		76.56		8.2		1.35		13	388	69.12	8.4			1.50	15	341	60.81	8.6		1.70	15	322	57.42	8.7				1.80		11	445	123.85			8.1			1.25	13	389	108.29			8.4	1.45	GK59 GKF59 GKA59 GKAF59	259	19	5.36	2.8	6.80						14	369	102.88		8.4	1.50	15			324			90.26	8.6	1.70	18	275		76.56		8.8	2.00	20		248	69.12		8.9	2.20	23	218	60.81	9.0	2.60	24		206	57.42	9.1	2.70	13			375	104.37			5.6	1.00	GK49 GKF49 GKA49 GKAF49					0.75kW								15		326	90.86	6.2	1.15	16	306	85.12	6.5	1.50	18	270	75.20	6.8	1.40	20	251	69.84	6.9	1.50	22	227	63.30	7.1	1.65	24			204	56.83	7.3	1.80	28		176	48.95	7.4	2.10	30	165	46.04	7.5	2.20	24					210	58.60	4.6	0.90	GK39 GKF39 GKA39 GKAF39	0.11	60996	13116	158	0.85	GK189R99 GKA189R99	4P	28		179	49.79		4.6	1.05	31					160	44.46	4.5	1.15	37	136	37.97	4.4	1.35	39	128	35.57	4.4	1.45	46	108	29.96	4.2	1.75	48	103	28.83	4.2	1.80	56		90	24.99	4.1	2.10	60	84	23.36		4.0	2.20	69		72	20.19	3.9	2.40	81	62	17.15	3.8	2.70	0.12	54164	11647	169	0.95	GK169R99 GKA169R99	4P	0.19	34148	7343	171	1.50	0.21	31377			6747			171	1.65	0.23	27861	5991	171		1.90	0.16	40129	8629	135	0.85	GK159R99 GKF159R99 GKA159R99 GKAF159R99	4P	0.21	30516	6562	135			1.10					0.26	24903	5355	135	1.35	0.34	18969	4079	135	1.75	0.41	15700	3376	135	2.10	0.39	16463	3540	107	1.10	GK129R79 GKF129R79 GKA129R79 GKAF129R79	4P	0.46	14189	3051	108	1.25		0.84	7715		1659	110	2.30	GK109R79 GKF109R79 GKA109R79 GKAF109R79		4P	1.0	6348	1365	110	2.80	0.42	15398		3311	72				0.85	GK99R59 GKF99R59 GKA99R59 GKAF99R59	4P	0.46	13993	3009	75	0.95	0.53	12124	2607					76	1.10	0.72	8957	1926	77	1.45	0.79	8171	1757	77	1.60	0.90	7166	1541	78	1.85	1.0	6241	1342	78	2.10	1.2	5474	1177	78	2.40	1.4	4767	1025	78			2.80	1.5	4181	899	78	3.20	0.81	7966	1713	62	1.00	0.89	7231	1555			62	1.10	1.0	6213	1336	62	1.30	1.2	5422	1166	62	1.50	1.3	4790	1030	62	1.65	1.5	4204	904	62	1.90	1.8	3688	793	62	2.15	2.0	3237	696	62	2.45	2.3	2855	614	62	2.80	1.3	5125	1102	38	0.85	1.5	4451	957	38	0.95	1.6	3976	855	38	1.10	1.9	3455	743	38	1.25	2.1	3027	651	38	1.40	2.4	2665	573	38	1.60	2.8	2344	504	38	1.85	3.2	2032	437	38	2.10	3.6	1776	382	38	2.40	4.6	1418	305	38	3.05	5.4	1200	258	38	3.60	6.0	1079	232	38	4.00	7.0	925	199	38	4.65																																																																																																																																															
15	323	90.04	12	2.40	GKA69	6P	204	24	6.80	3.0	5.70																																																																																																																																																																																																																																																																																																																																																																																																																																																																																																																																																																																																																																																																																																																																								
18	274	76.37	12	2.80	GKAF69		8.2	607	108.29	7.0	0.95								GK59 GKF59 GKA59 GKAF59	218	23	6.37	2.9					5.90				8.7	577	102.88	7.2					1.00	9.9	506	90.26	7.8	1.15	12			429				76.56	8.2	1.35	13	388				69.12	8.4	1.50		15			341	60.81	8.6	1.70		15	322				57.42	8.7	1.80	11		445		123.85	8.1	1.25	13	389	108.29	8.4	1.45			GK59 GKF59 GKA59 GKAF59	259	19	5.36	2.8		6.80			14	369				102.88	8.4	1.50	15	324			90.26			8.6	1.70	18	275	76.56	8.8	2.00	20		248	69.12	8.9	2.20	23			218	60.81		9.0	2.60	24		206	57.42	9.1			2.70			13	375	104.37	5.6	1.00	GK49 GKF49 GKA49 GKAF49	0.75kW							15	326	90.86	6.2	1.15	16	306	85.12	6.5	1.50		18	270	75.20	6.8	1.40			20	251	69.84		6.9	1.50						22	227	63.30	7.1	1.65	24	204		56.83		7.3	1.80	28	176	48.95	7.4	2.10	30	165	46.04	7.5	2.20	24	210	58.60	4.6	0.90	GK39 GKF39 GKA39 GKAF39	0.11	60996	13116	158	0.85	GK189R99 GKA189R99	4P	28	179	49.79	4.6	1.05	31	160		44.46	4.5	1.15	37	136	37.97	4.4	1.35	39	128	35.57		4.4	1.45	46	108	29.96	4.2		1.75	48	103	28.83	4.2			1.80		56	90		24.99	4.1	2.10			60	84	23.36	4.0	2.20	69	72	20.19	3.9	2.40	81	62	17.15	3.8	2.70	0.12	54164	11647	169	0.95	GK169R99 GKA169R99	4P	0.19	34148	7343	171	1.50		0.21	31377	6747	171	1.65	0.23	27861		5991	171	1.90		0.16	40129	8629	135	0.85	GK159R99 GKF159R99 GKA159R99 GKAF159R99	4P	0.21	30516	6562	135	1.10	0.26	24903			5355	135	1.35	0.34	18969	4079	135			1.75	0.41	15700	3376	135	2.10	0.39	16463	3540		107	1.10	GK129R79 GKF129R79 GKA129R79 GKAF129R79	4P	0.46	14189			3051	108	1.25	0.84			7715		1659	110		2.30	GK109R79 GKF109R79 GKA109R79 GKAF109R79	4P	1.0	6348	1365	110	2.80	0.42	15398	3311	72	0.85	GK99R59 GKF99R59 GKA99R59 GKAF99R59	4P	0.46	13993	3009	75	0.95	0.53	12124	2607	76	1.10	0.72	8957	1926	77	1.45	0.79	8171	1757	77	1.60		0.90	7166	1541	78	1.85	1.0	6241	1342	78	2.10	1.2	5474		1177	78			2.40	1.4	4767	1025	78	2.80	1.5	4181					899	78	3.20	0.81	7966	1713	62	1.00	0.89	7231	1555	62	1.10	1.0	6213	1336	62	1.30	1.2	5422	1166	62	1.50	1.3	4790	1030	62	1.65	1.5	4204	904	62	1.90	1.8	3688	793	62	2.15	2.0	3237	696	62	2.45	2.3	2855	614	62	2.80	1.3	5125	1102	38	0.85	1.5	4451	957	38	0.95	1.6	3976	855	38	1.10	1.9	3455	743	38	1.25	2.1	3027	651	38	1.40	2.4	2665	573	38	1.60	2.8	2344	504	38	1.85	3.2	2032	437	38	2.10	3.6	1776	382	38	2.40	4.6	1418	305	38	3.05	5.4	1200	258	38	3.60	6.0	1079	232	38	4.00	7.0	925	199	38	4.65																																																																																																																																																																																					
8.2	607	108.29	7.0	0.95	GK59 GKF59 GKA59 GKAF59		218	23	6.37	2.9	5.90																																																																																																																																																																																																																																																																																																																																																																																																																																																																																																																																																																																																																																																																																																																																								
8.7	577	102.88	7.2	1.00			9.9	506	90.26	7.8	1.15				12					429	76.56	8.2	1.35			13		388				69.12	8.4	1.50	15					341	60.81	8.6	1.70	15	322	57.42	8.7	1.80	11				445	123.85	8.1	1.25	13				389	108.29	8.4		1.45			GK59 GKF59 GKA59 GKAF59	259	19	5.36		2.8	6.80						14	369		102.88		8.4	1.50	15	324	90.26	8.6	1.70	18	275	76.56		8.8	2.00	20	248	69.12	8.9			2.20	23	218			60.81	9.0	2.60	24	206			57.42	9.1	2.70	13	375	104.37	5.6	1.00	GK49 GKF49 GKA49 GKAF49	0.75kW							15			326	90.86		6.2	1.15	16		306	85.12	6.5			1.50			18	270	75.20	6.8	1.40		20	251	69.84	6.9	1.50	22	227	63.30	7.1	1.65	24	204	56.83	7.3	1.80	28	176	48.95	7.4	2.10	30	165	46.04	7.5		2.20	24	210		58.60	4.6			0.90	GK39 GKF39 GKA39 GKAF39		0.11	60996	13116	158	0.85	GK189R99 GKA189R99	4P		28		179	49.79	4.6	1.05	31	160	44.46	4.5	1.15	37	136	37.97	4.4	1.35	39	128	35.57		4.4	1.45	46	108	29.96			4.2	1.75	48	103	28.83	4.2	1.80	56	90	24.99	4.1	2.10	60	84	23.36	4.0	2.20	69	72	20.19	3.9	2.40	81	62	17.15	3.8		2.70	0.12	54164	11647	169	0.95	GK169R99 GKA169R99	4P		0.19	34148		7343	171	1.50	0.21	31377	6747	171	1.65	0.23	27861	5991	171	1.90	0.16	40129	8629	135	0.85	GK159R99 GKF159R99 GKA159R99 GKAF159R99	4P	0.21	30516	6562	135	1.10			0.26	24903	5355	135	1.35		0.34	18969	4079	135	1.75	0.41	15700		3376	135	2.10		0.39	16463	3540	107	1.10			GK129R79 GKF129R79 GKA129R79 GKAF129R79	4P	0.46	14189	3051	108	1.25	0.84	7715	1659	110	2.30	GK109R79 GKF109R79 GKA109R79 GKAF109R79	4P	1.0	6348	1365	110	2.80	0.42	15398	3311	72	0.85	GK99R59 GKF99R59 GKA99R59 GKAF99R59	4P	0.46		13993	3009	75	0.95	0.53	12124	2607	76	1.10	0.72	8957	1926			77	1.45	0.79	8171	1757	77	1.60	0.90	7166	1541	78	1.85	1.0	6241	1342	78	2.10	1.2			5474	1177	78	2.40	1.4	4767	1025	78	2.80	1.5	4181	899	78	3.20	0.81	7966	1713	62	1.00	0.89	7231	1555	62	1.10	1.0	6213	1336	62	1.30	1.2	5422	1166	62	1.50	1.3	4790			1030	62	1.65	1.5	4204	904	62	1.90	1.8	3688			793	62	2.15	2.0	3237	696	62	2.45	2.3	2855	614	62	2.80	1.3	5125	1102	38	0.85	1.5	4451	957	38	0.95	1.6	3976	855	38	1.10	1.9	3455	743	38	1.25	2.1	3027	651	38	1.40	2.4	2665	573	38	1.60	2.8	2344	504	38	1.85	3.2	2032	437	38	2.10	3.6	1776	382	38	2.40	4.6	1418	305	38	3.05	5.4	1200	258	38	3.60	6.0	1079	232	38	4.00	7.0	925	199	38	4.65																																																																																																																																																																																																																								
9.9	506	90.26	7.8	1.15		12	429	76.56	8.2	1.35	13				388					69.12	8.4	1.50	15			341		60.81				8.6	1.70	15	322	57.42	8.7			1.80	11	445	123.85	8.1	1.25	13	389	108.29	8.4				1.45	GK59 GKF59 GKA59 GKAF59	259	19	5.36				2.8	6.80							14	369	102.88		8.4	1.50						15	324	90.26	8.6	1.70	18	275	76.56	8.8	2.00	20	248	69.12	8.9	2.20		23	218	60.81	9.0	2.60	24			206	57.42	9.1			2.70	13	375	104.37	5.6	1.00	GK49 GKF49 GKA49 GKAF49	0.75kW							15		326	90.86		6.2	1.15	16	306	85.12			6.5	1.50		18	270	75.20		6.8	1.40	20			251			69.84	6.9	1.50	22	227		63.30	7.1	1.65	24	204	56.83	7.3	1.80	28	176	48.95	7.4	2.10	30	165	46.04	7.5	2.20	24	210	58.60	4.6	0.90	GK39 GKF39 GKA39 GKAF39		0.11	60996	13116		158	0.85		GK189R99 GKA189R99	4P		28	179	49.79	4.6	1.05	31				160		44.46	4.5	1.15	37	136	37.97	4.4	1.35	39	128	35.57	4.4	1.45	46	108	29.96	4.2		1.75	48	103	28.83	4.2			1.80	56	90	24.99	4.1	2.10	60	84	23.36	4.0	2.20	69	72	20.19	3.9	2.40	81	62	17.15	3.8	2.70	0.12	54164	11647	169	0.95		GK169R99 GKA169R99	4P	0.19	34148	7343	171				1.50	0.21		31377	6747	171	1.65	0.23	27861	5991	171	1.90	0.16	40129	8629	135	0.85	GK159R99 GKF159R99 GKA159R99 GKAF159R99	4P	0.21	30516			6562	135	1.10	0.26	24903			5355	135	1.35	0.34	18969		4079	135	1.75	0.41	15700	3376	135		2.10	0.39	16463		3540	107	1.10	GK129R79 GKF129R79 GKA129R79 GKAF129R79	4P					0.46	14189	3051	108	1.25	0.84	7715	1659	110	2.30			GK109R79 GKF109R79 GKA109R79 GKAF109R79	4P	1.0	6348	1365	110	2.80	0.42	15398	3311			72		0.85	GK99R59 GKF99R59 GKA99R59 GKAF99R59	4P	0.46	13993	3009	75	0.95	0.53	12124	2607	76			1.10	0.72	8957	1926	77	1.45	0.79	8171	1757	77	1.60	0.90	7166	1541	78	1.85	1.0	6241			1342	78	2.10	1.2	5474	1177	78	2.40	1.4	4767	1025	78	2.80	1.5	4181	899	78	3.20	0.81	7966	1713	62	1.00	0.89	7231	1555	62	1.10	1.0	6213	1336	62	1.30	1.2	5422	1166			62	1.50	1.3	4790	1030	62	1.65	1.5	4204	904	62	1.90	1.8	3688	793	62	2.15	2.0	3237	696	62	2.45	2.3	2855	614	62	2.80	1.3	5125	1102	38	0.85	1.5	4451	957	38	0.95	1.6	3976	855	38	1.10	1.9	3455	743	38	1.25	2.1	3027	651	38	1.40	2.4	2665	573	38	1.60	2.8	2344	504	38	1.85	3.2	2032	437	38	2.10	3.6	1776	382	38	2.40	4.6	1418	305	38	3.05	5.4	1200	258	38	3.60	6.0	1079	232	38	4.00	7.0	925	199	38	4.65																																																																																																																																																																																																																						
12	429	76.56	8.2	1.35		13	388	69.12	8.4	1.50	15				341					60.81	8.6	1.70	15	322		57.42	8.7	1.80				11	445	123.85	8.1	1.25	13			389	108.29	8.4	1.45	GK59 GKF59 GKA59 GKAF59	259	19	5.36	2.8	6.80							14	369				102.88	8.4		1.50					15	324	90.26	8.6	1.70	18	275					76.56	8.8	2.00	20	248	69.12	8.9	2.20	23	218	60.81	9.0	2.60	24	206		57.42	9.1	2.70	13	375	104.37			5.6	1.00	GK49 GKF49 GKA49 GKAF49	0.75kW							15		326	90.86	6.2	1.15	16	306	85.12	6.5		1.50	18		270	75.20	6.8	1.40	20			251	69.84		6.9	1.50	22	227	63.30	7.1	1.65			24			204	56.83	7.3	1.80	28		176	48.95	7.4	2.10	30	165	46.04	7.5	2.20	24	210	58.60	4.6	0.90	GK39 GKF39 GKA39 GKAF39	0.11	60996	13116	158	0.85	GK189R99 GKA189R99	4P	28		179	49.79	4.6	1.05	31	160	44.46					4.5	1.15	37	136	37.97	4.4				1.35	39	128	35.57	4.4	1.45	46	108	29.96	4.2	1.75	48	103	28.83	4.2	1.80	56	90	24.99		4.1	2.10	60	84	23.36	4.0	2.20	69	72	20.19	3.9	2.40	81	62	17.15	3.8	2.70	0.12	54164	11647	169	0.95	GK169R99 GKA169R99	4P	0.19	34148	7343	171	1.50	0.21	31377	6747	171				1.65	0.23	27861	5991				171	1.90		0.16	40129	8629	135	0.85	GK159R99 GKF159R99 GKA159R99 GKAF159R99	4P	0.21	30516	6562	135	1.10	0.26	24903			5355	135			1.35	0.34	18969	4079	135	1.75	0.41	15700	3376	135	2.10	0.39		16463	3540	107	1.10	GK129R79 GKF129R79 GKA129R79 GKAF129R79	4P	0.46		14189	3051	108		1.25	0.84	7715			1659	110	2.30	GK109R79 GKF109R79 GKA109R79 GKAF109R79	4P	1.0	6348	1365	110	2.80	0.42	15398	3311	72	0.85	GK99R59 GKF99R59 GKA99R59 GKAF99R59			4P	0.46	13993	3009	75	0.95	0.53	12124			2607		76			1.10	0.72	8957	1926	77	1.45	0.79	8171	1757		77	1.60	0.90	7166	1541	78	1.85	1.0	6241	1342	78	2.10	1.2	5474	1177	78	2.40	1.4	4767			1025	78	2.80	1.5	4181	899	78	3.20	0.81	7966	1713	62	1.00	0.89	7231	1555	62	1.10	1.0	6213	1336	62	1.30	1.2	5422	1166	62	1.50	1.3	4790	1030	62	1.65	1.5	4204	904	62	1.90	1.8	3688	793	62	2.15	2.0	3237	696	62	2.45	2.3	2855	614	62	2.80	1.3	5125	1102	38	0.85	1.5	4451	957	38	0.95	1.6	3976	855	38	1.10	1.9	3455	743	38	1.25	2.1	3027	651	38	1.40	2.4	2665	573	38	1.60	2.8	2344	504	38	1.85	3.2	2032	437	38	2.10	3.6	1776	382	38	2.40	4.6	1418	305	38	3.05	5.4	1200	258	38	3.60	6.0	1079	232	38	4.00	7.0	925	199	38	4.65																																																																																																																																																																																																																																		
13	388	69.12	8.4	1.50		15	341	60.81	8.6	1.70	15			322	57.42			8.7		1.80	11	445	123.85	8.1		1.25	13	389				108.29	8.4	1.45	GK59 GKF59 GKA59 GKAF59	259	19			5.36	2.8	6.80				14	369	102.88	8.4							1.50	15	324			90.26	8.6		1.70					18	275	76.56	8.8	2.00	20	248					69.12	8.9	2.20	23	218	60.81	9.0	2.60	24	206	57.42	9.1	2.70	13	375		104.37	5.6	1.00	GK49 GKF49 GKA49 GKAF49	0.75kW							15	326	90.86	6.2	1.15	16	306	85.12		6.5	1.50	18	270	75.20	6.8	1.40	20		251	69.84		6.9	1.50	22	227	63.30	7.1		1.65	24		204	56.83	7.3	1.80	28	176	48.95			7.4			2.10	30	165	46.04	7.5		2.20	24	210	58.60	4.6	0.90	GK39 GKF39 GKA39 GKAF39	0.11	60996	13116	158	0.85	GK189R99 GKA189R99	4P		28	179	49.79	4.6	1.05			31		160	44.46	4.5	1.15	37	136	37.97					4.4	1.35	39	128	35.57	4.4			1.45	46	108	29.96	4.2	1.75	48	103	28.83	4.2	1.80	56	90	24.99	4.1	2.10	60	84	23.36	4.0		2.20	69	72	20.19	3.9	2.40	81	62	17.15	3.8	2.70	0.12	54164	11647	169	0.95	GK169R99 GKA169R99	4P	0.19	34148	7343	171			1.50	0.21	31377	6747	171	1.65	0.23	27861	5991				171	1.90	0.16	40129				8629	135		0.85	GK159R99 GKF159R99 GKA159R99 GKAF159R99	4P	0.21	30516			6562	135	1.10	0.26	24903	5355	135			1.35	0.34			18969	4079	135	1.75	0.41	15700	3376	135	2.10	0.39	16463	3540		107	1.10	GK129R79 GKF129R79 GKA129R79 GKAF129R79	4P			0.46		14189	3051	108		1.25	0.84	7715	1659	110	2.30	GK109R79 GKF109R79 GKA109R79 GKAF109R79	4P			1.0	6348	1365	110	2.80	0.42	15398	3311	72	0.85		GK99R59 GKF99R59 GKA99R59 GKAF99R59	4P		0.46	13993	3009	75	0.95	0.53	12124			2607		76			1.10	0.72	8957	1926	77	1.45	0.79	8171	1757	77	1.60	0.90	7166	1541	78	1.85	1.0	6241	1342	78	2.10	1.2	5474	1177	78	2.40	1.4	4767	1025			78	2.80	1.5	4181	899	78	3.20	0.81	7966	1713	62	1.00	0.89	7231	1555	62	1.10	1.0	6213	1336	62	1.30	1.2	5422	1166	62	1.50	1.3	4790	1030	62	1.65	1.5	4204	904	62	1.90	1.8	3688	793	62	2.15	2.0	3237	696	62	2.45	2.3	2855	614	62	2.80	1.3	5125	1102	38	0.85	1.5	4451	957	38	0.95	1.6	3976	855	38	1.10	1.9	3455	743	38	1.25	2.1	3027	651	38	1.40	2.4	2665	573	38	1.60	2.8	2344	504	38	1.85	3.2	2032	437	38	2.10	3.6	1776	382	38	2.40	4.6	1418	305	38	3.05	5.4	1200	258	38	3.60	6.0	1079	232	38	4.00	7.0	925	199	38	4.65																																																																																																																																																																																																																																			
15	341	60.81	8.6	1.70		15	322	57.42	8.7	1.80	11			445	123.85			8.1		1.25	13	389	108.29	8.4		1.45	GK59 GKF59 GKA59 GKAF59	259				19	5.36	2.8		6.80					14	369				102.88	8.4	1.50	15	324	90.26	8.6				1.70	18	275			76.56	8.8		2.00					20	248	69.12	8.9	2.20	23	218	60.81	9.0			2.60	24	206	57.42	9.1	2.70	13	375	104.37	5.6	1.00	GK49 GKF49 GKA49 GKAF49	0.75kW								15	326			90.86	6.2		1.15	16	306	85.12	6.5	1.50	18	270		75.20	6.8	1.40	20	251	69.84	6.9	1.50		22	227	63.30	7.1	1.65	24	204	56.83	7.3		1.80	28		176	48.95	7.4	2.10	30	165	46.04			7.5	2.20	24	210	58.60	4.6	0.90	GK39 GKF39 GKA39 GKAF39		0.11	60996	13116	158	0.85	GK189R99 GKA189R99		4P	28	179	49.79	4.6				1.05	31	160	44.46	4.5			1.15		37	136	37.97	4.4	1.35	39	128	35.57				4.4	1.45	46	108	29.96	4.2	1.75	48	103	28.83	4.2	1.80	56	90	24.99	4.1	2.10	60	84	23.36	4.0	2.20	69	72	20.19	3.9	2.40	81		62	17.15	3.8	2.70	0.12	54164	11647	169	0.95	GK169R99 GKA169R99	4P	0.19	34148	7343	171	1.50			0.21	31377	6747	171			1.65	0.23	27861	5991	171	1.90	0.16	40129	8629				135	0.85	GK159R99 GKF159R99 GKA159R99 GKAF159R99	4P	0.21	30516		6562	135		1.10			0.26	24903			5355	135	1.35	0.34	18969	4079	135			1.75	0.41	15700	3376	135	2.10	0.39	16463	3540	107	1.10	GK129R79 GKF129R79 GKA129R79 GKAF129R79	4P	0.46	14189	3051		108	1.25			0.84	7715	1659		110	2.30	GK109R79 GKF109R79 GKA109R79 GKAF109R79		4P	1.0	6348	1365	110	2.80			0.42	15398	3311	72	0.85	GK99R59 GKF99R59 GKA99R59 GKAF99R59	4P	0.46	13993	3009	75	0.95					0.53	12124	2607	76	1.10	0.72	8957			1926	77	1.45			0.79	8171	1757	77	1.60	0.90	7166	1541	78	1.85	1.0	6241	1342	78	2.10	1.2	5474	1177	78	2.40	1.4	4767	1025	78	2.80	1.5	4181	899	78	3.20	0.81	7966	1713	62	1.00	0.89	7231	1555	62	1.10	1.0	6213	1336	62	1.30	1.2	5422	1166	62	1.50	1.3	4790	1030	62	1.65	1.5	4204	904	62	1.90	1.8	3688	793	62	2.15	2.0	3237	696	62	2.45	2.3	2855	614	62	2.80	1.3	5125	1102	38	0.85	1.5	4451	957	38	0.95	1.6	3976	855	38	1.10	1.9	3455	743	38	1.25	2.1	3027	651	38	1.40	2.4	2665	573	38	1.60	2.8	2344	504	38	1.85	3.2	2032	437	38	2.10	3.6	1776	382	38	2.40	4.6	1418	305	38	3.05	5.4	1200	258	38	3.60	6.0	1079	232	38	4.00	7.0	925	199	38	4.65																																																																																																																																																																																																																																											
15	322	57.42	8.7	1.80		11	445	123.85	8.1	1.25	13			389	108.29			8.4		1.45	GK59 GKF59 GKA59 GKAF59	259	19	5.36		2.8		6.80						14		369		102.88	8.4		1.50	15				324	90.26	8.6	1.70	18	275	76.56				8.8	2.00	20			248	69.12		8.9		2.20	23		218	60.81	9.0	2.60	24	206	57.42	9.1	2.70			13	375	104.37	5.6	1.00	GK49 GKF49 GKA49 GKAF49	0.75kW							15	326		90.86	6.2	1.15		16	306			85.12	6.5		1.50	18	270	75.20	6.8	1.40	20	251		69.84	6.9	1.50	22	227	63.30	7.1	1.65		24	204	56.83	7.3	1.80	28	176	48.95	7.4		2.10	30		165	46.04	7.5	2.20	24	210	58.60	4.6	0.90	GK39 GKF39 GKA39 GKAF39	0.11	60996	13116	158	0.85	GK189R99 GKA189R99			4P	28	179	49.79	4.6				1.05	31	160	44.46				4.5	1.15	37	136	37.97			4.4		1.35	39	128	35.57	4.4	1.45	46	108	29.96	4.2		1.75	48	103	28.83	4.2	1.80	56	90	24.99	4.1	2.10	60	84	23.36	4.0	2.20	69	72	20.19	3.9	2.40	81	62	17.15	3.8	2.70	0.12	54164		11647	169	0.95	GK169R99 GKA169R99	4P	0.19	34148	7343	171			1.50	0.21	31377	6747	171			1.65	0.23	27861	5991			171	1.90	0.16	40129	8629	135	0.85	GK159R99 GKF159R99 GKA159R99 GKAF159R99	4P		0.21	30516	6562	135			1.10	0.26		24903	5355		135			1.35	0.34			18969	4079	135	1.75	0.41	15700	3376	135	2.10	0.39	16463	3540	107	1.10	GK129R79 GKF129R79 GKA129R79 GKAF129R79	4P	0.46	14189	3051	108			1.25	0.84	7715		1659	110	2.30	GK109R79 GKF109R79 GKA109R79 GKAF109R79	4P	1.0	6348		1365	110				2.80	0.42	15398	3311	72	0.85	GK99R59 GKF99R59 GKA99R59 GKAF99R59	4P	0.46	13993	3009	75			0.95	0.53	12124	2607	76					1.10	0.72	8957	1926	77	1.45	0.79			8171	1757	77			1.60	0.90	7166	1541	78	1.85	1.0	6241	1342	78	2.10	1.2	5474	1177	78	2.40	1.4	4767	1025	78	2.80	1.5	4181	899	78	3.20	0.81	7966	1713	62	1.00	0.89	7231	1555	62	1.10	1.0	6213	1336	62	1.30	1.2	5422	1166	62	1.50	1.3	4790	1030	62	1.65	1.5	4204	904	62	1.90	1.8	3688	793	62	2.15	2.0	3237	696	62	2.45	2.3	2855	614	62	2.80	1.3	5125	1102	38	0.85	1.5	4451	957	38	0.95	1.6	3976	855	38	1.10	1.9	3455	743	38	1.25	2.1	3027	651	38	1.40	2.4	2665	573	38	1.60	2.8	2344	504	38	1.85	3.2	2032	437	38	2.10	3.6	1776	382	38	2.40	4.6	1418	305	38	3.05	5.4	1200	258	38	3.60	6.0	1079	232	38	4.00	7.0	925	199	38	4.65																																																																																																																																																																																																																																															
11	445	123.85	8.1	1.25		13	389	108.29	8.4	1.45	GK59 GKF59 GKA59 GKAF59			259	19			5.36	2.8	6.80				14	369	102.88		8.4	1.50					15		324		90.26	8.6		1.70	18				275	76.56	8.8	2.00	20	248	69.12				8.9	2.20	23	218	60.81	9.0	2.60		24		206	57.42		9.1	2.70	13	375	104.37	5.6	1.00	GK49 GKF49 GKA49 GKAF49	0.75kW							15		326	90.86	6.2	1.15	16		306	85.12	6.5	1.50	18	270	75.20		6.8	1.40			20	251		69.84	6.9	1.50	22	227	63.30	7.1	1.65		24	204	56.83	7.3	1.80	28	176	48.95		7.4	2.10	30	165	46.04	7.5	2.20	24	210	58.60	4.6	0.90	GK39 GKF39 GKA39 GKAF39	0.11	60996	13116	158	0.85	GK189R99 GKA189R99	4P	28	179		49.79	4.6	1.05	31	160			44.46		4.5	1.15	37	136				37.97	4.4	1.35	39				128	35.57	4.4	1.45	46	108	29.96	4.2		1.75	48	103	28.83	4.2	1.80	56	90	24.99	4.1		2.10	60	84	23.36	4.0	2.20	69	72	20.19	3.9	2.40	81	62	17.15	3.8	2.70	0.12	54164	11647	169	0.95	GK169R99 GKA169R99	4P	0.19	34148	7343	171	1.50		0.21	31377	6747			171	1.65	0.23	27861			5991	171	1.90	0.16	40129			8629	135	0.85	GK159R99 GKF159R99 GKA159R99 GKAF159R99	4P	0.21	30516	6562	135	1.10	0.26	24903	5355				135	1.35	0.34	18969			4079	135		1.75	0.41		15700			3376	135	2.10	0.39	16463	3540	107	1.10	GK129R79 GKF129R79 GKA129R79 GKAF129R79	4P	0.46	14189	3051	108	1.25	0.84	7715	1659			110	2.30	GK109R79 GKF109R79 GKA109R79 GKAF109R79	4P	1.0	6348	1365	110	2.80		0.42	15398	3311			72	0.85	GK99R59 GKF99R59 GKA99R59 GKAF99R59	4P	0.46	13993		3009	75	0.95	0.53	12124	2607	76			1.10	0.72	8957	1926			77	1.45	0.79	8171	1757					77	1.60	0.90	7166	1541	78	1.85	1.0	6241	1342	78	2.10			1.2	5474	1177	78	2.40	1.4	4767	1025	78	2.80	1.5	4181	899	78	3.20	0.81	7966	1713	62	1.00	0.89	7231	1555	62	1.10	1.0	6213	1336	62	1.30	1.2	5422	1166	62	1.50	1.3	4790	1030	62	1.65	1.5	4204	904	62	1.90	1.8	3688	793	62	2.15	2.0	3237	696	62	2.45	2.3	2855	614	62	2.80	1.3	5125	1102	38	0.85	1.5	4451	957	38	0.95	1.6	3976	855	38	1.10	1.9	3455	743	38	1.25	2.1	3027	651	38	1.40	2.4	2665	573	38	1.60	2.8	2344	504	38	1.85	3.2	2032	437	38	2.10	3.6	1776	382	38	2.40	4.6	1418	305	38	3.05	5.4	1200	258	38	3.60	6.0	1079	232	38	4.00	7.0	925	199	38	4.65																																																																																																																																																																																																																																																										
13	389	108.29	8.4	1.45	GK59 GKF59 GKA59 GKAF59	259	19	5.36	2.8	6.80																																																																																																																																																																																																																																																																																																																																																																																																																																																																																																																																																																																																																																																																																																																																									
14	369	102.88	8.4	1.50		15	324	90.26	8.6	1.70					18		275	76.56	8.8	2.00				20	248	69.12		8.9	2.20	23	218			60.81		9.0		2.60	24		206	57.42				9.1	2.70	13	375	104.37	5.6	1.00				GK49 GKF49 GKA49 GKAF49	0.75kW							15		326	90.86	6.2	1.15	16	306	85.12	6.5	1.50	18		270			75.20	6.8	1.40	20	251		69.84	6.9	1.50	22	227		63.30	7.1	1.65	24	204	56.83	7.3		1.80	28	176	48.95	7.4	2.10		30	165	46.04	7.5	2.20	24	210	58.60		4.6	0.90	GK39 GKF39 GKA39 GKAF39	0.11	60996	13116	158	0.85	GK189R99 GKA189R99	4P	28	179	49.79	4.6	1.05	31	160	44.46	4.5	1.15	37		136	37.97	4.4	1.35	39			128	35.57		4.4	1.45	46	108	29.96			4.2		1.75	48	103	28.83	4.2		1.80	56	90	24.99	4.1	2.10	60		84	23.36	4.0	2.20	69	72	20.19	3.9		2.40	81	62	17.15	3.8	2.70	0.12	54164	11647	169		0.95	GK169R99 GKA169R99	4P	0.19	34148	7343	171	1.50	0.21	31377	6747	171	1.65	0.23	27861	5991	171	1.90	0.16	40129	8629			135	0.85	GK159R99 GKF159R99 GKA159R99 GKAF159R99	4P	0.21		30516	6562	135			1.10	0.26	24903	5355	135	1.35	0.34	18969	4079	135	1.75	0.41	15700	3376	135	2.10			0.39	16463	3540	107	1.10	GK129R79 GKF129R79 GKA129R79 GKAF129R79	4P	0.46				14189	3051	108	1.25	0.84	7715	1659	110		2.30	GK109R79 GKF109R79 GKA109R79 GKAF109R79		4P	1.0	6348	1365	110	2.80	0.42	15398	3311	72	0.85	GK99R59 GKF99R59 GKA99R59 GKAF99R59	4P	0.46	13993	3009	75	0.95	0.53	12124	2607	76	1.10	0.72	8957	1926	77	1.45	0.79	8171	1757	77	1.60	0.90	7166	1541	78	1.85	1.0	6241			1342	78	2.10	1.2	5474	1177	78	2.40	1.4	4767			1025	78	2.80	1.5			4181	899	78	3.20	0.81	7966			1713	62	1.00	0.89	7231	1555	62	1.10	1.0	6213	1336	62	1.30	1.2	5422	1166	62	1.50	1.3	4790	1030	62	1.65	1.5	4204	904	62	1.90	1.8	3688	793	62	2.15	2.0	3237	696	62	2.45	2.3	2855	614	62	2.80	1.3	5125	1102	38	0.85	1.5	4451	957	38	0.95	1.6	3976	855	38	1.10	1.9	3455	743	38	1.25	2.1	3027	651	38	1.40	2.4	2665	573	38	1.60	2.8	2344	504	38	1.85	3.2	2032	437	38	2.10	3.6	1776	382	38	2.40	4.6	1418	305	38	3.05	5.4	1200	258	38	3.60	6.0	1079	232	38	4.00	7.0	925	199	38	4.65																																																																																																																																																																																																																																																																																										
15	324	90.26	8.6	1.70		18	275	76.56	8.8	2.00			20		248	69.12	8.9	2.20	23	218				60.81	9.0	2.60		24	206	57.42	9.1			2.70		13		375	104.37		5.6	1.00				GK49 GKF49 GKA49 GKAF49	0.75kW							15			326	90.86	6.2	1.15	16	306		85.12		6.5	1.50	18	270	75.20	6.8	1.40	20	251	69.84		6.9			1.50	22	227	63.30	7.1		1.65	24	204	56.83	7.3		1.80	28	176	48.95	7.4	2.10	30		165	46.04	7.5	2.20	24	210		58.60	4.6	0.90	GK39 GKF39 GKA39 GKAF39	0.11	60996	13116	158	0.85	GK189R99 GKA189R99	4P		28	179	49.79	4.6	1.05			31	160	44.46	4.5	1.15	37	136	37.97	4.4	1.35	39		128	35.57	4.4	1.45	46			108	29.96		4.2	1.75	48	103	28.83	4.2		1.80	56	90	24.99	4.1	2.10	60		84	23.36	4.0	2.20	69	72	20.19		3.9	2.40	81	62	17.15	3.8	2.70	0.12		54164	11647	169	0.95	GK169R99 GKA169R99	4P	0.19	34148	7343	171		1.50			0.21	31377	6747	171	1.65	0.23	27861	5991	171	1.90	0.16	40129	8629	135	0.85	GK159R99 GKF159R99 GKA159R99 GKAF159R99	4P	0.21			30516	6562			135		1.10	0.26	24903	5355	135	1.35	0.34	18969	4079	135	1.75	0.41	15700	3376	135	2.10	0.39	16463	3540	107	1.10			GK129R79 GKF129R79 GKA129R79 GKAF129R79	4P	0.46	14189	3051			108	1.25	0.84		7715	1659	110	2.30	GK109R79 GKF109R79 GKA109R79 GKAF109R79	4P	1.0	6348		1365				110	2.80	0.42	15398	3311	72	0.85	GK99R59 GKF99R59 GKA99R59 GKAF99R59	4P	0.46			13993	3009	75	0.95	0.53	12124	2607	76	1.10	0.72	8957	1926	77	1.45	0.79	8171	1757	77	1.60	0.90	7166	1541	78	1.85	1.0	6241	1342			78	2.10	1.2	5474	1177	78	2.40	1.4	4767	1025			78	2.80	1.5	4181			899	78	3.20	0.81	7966	1713	62	1.00	0.89	7231	1555	62	1.10	1.0	6213	1336	62	1.30	1.2	5422	1166	62	1.50	1.3	4790	1030	62	1.65	1.5	4204	904	62	1.90	1.8	3688	793	62	2.15	2.0	3237	696	62	2.45	2.3	2855	614	62	2.80	1.3	5125	1102	38	0.85	1.5	4451	957	38	0.95	1.6	3976	855	38	1.10	1.9	3455	743	38	1.25	2.1	3027	651	38	1.40	2.4	2665	573	38	1.60	2.8	2344	504	38	1.85	3.2	2032	437	38	2.10	3.6	1776	382	38	2.40	4.6	1418	305	38	3.05	5.4	1200	258	38	3.60	6.0	1079	232	38	4.00	7.0	925	199	38	4.65																																																																																																																																																																																																																																																																																													
18	275	76.56	8.8	2.00		20	248	69.12	8.9	2.20			23		218	60.81	9.0	2.60	24	206				57.42	9.1	2.70		13	375	104.37	5.6			1.00		GK49 GKF49 GKA49 GKAF49		0.75kW									15	326	90.86	6.2	1.15	16		306			85.12	6.5	1.50	18	270	75.20		6.8		1.40	20	251	69.84	6.9	1.50	22	227	63.30	7.1		1.65	24	204	56.83	7.3	1.80	28	176		48.95	7.4	2.10	30	165		46.04	7.5	2.20	24	210	58.60	4.6		0.90	GK39 GKF39 GKA39 GKAF39	0.11	60996	13116	158	0.85	GK189R99 GKA189R99	4P	28		179	49.79	4.6	1.05	31				160	44.46	4.5	1.15	37			136	37.97	4.4	1.35	39	128	35.57	4.4	1.45	46	108		29.96	4.2	1.75	48	103	28.83	4.2	1.80	56		90	24.99	4.1	2.10	60	84		23.36	4.0	2.20	69	72	20.19	3.9		2.40	81	62	17.15	3.8	2.70	0.12		54164	11647	169	0.95	GK169R99 GKA169R99	4P	0.19	34148		7343	171	1.50	0.21			31377	6747	171	1.65		0.23			27861	5991	171	1.90	0.16	40129	8629	135	0.85	GK159R99 GKF159R99 GKA159R99 GKAF159R99	4P	0.21	30516	6562	135			1.10	0.26	24903	5355	135			1.35		0.34	18969	4079	135	1.75	0.41	15700	3376	135	2.10	0.39	16463	3540	107	1.10	GK129R79 GKF129R79 GKA129R79 GKAF129R79	4P	0.46	14189	3051	108	1.25	0.84			7715	1659	110	2.30	GK109R79 GKF109R79 GKA109R79 GKAF109R79	4P	1.0	6348		1365	110	2.80	0.42			15398	3311		72	0.85	GK99R59 GKF99R59 GKA99R59 GKAF99R59	4P	0.46	13993	3009	75	0.95	0.53	12124			2607			76	1.10	0.72	8957	1926	77	1.45	0.79	8171	1757	77	1.60	0.90	7166	1541	78	1.85	1.0	6241	1342	78	2.10	1.2	5474	1177	78	2.40			1.4	4767	1025	78	2.80	1.5	4181	899	78	3.20			0.81	7966	1713	62	1.00	0.89	7231	1555	62	1.10	1.0	6213	1336	62	1.30	1.2	5422	1166	62	1.50	1.3	4790	1030	62	1.65	1.5	4204	904	62	1.90	1.8	3688	793	62	2.15	2.0	3237	696	62	2.45	2.3	2855	614	62	2.80	1.3	5125	1102	38	0.85	1.5	4451	957	38	0.95	1.6	3976	855	38	1.10	1.9	3455	743	38	1.25	2.1	3027	651	38	1.40	2.4	2665	573	38	1.60	2.8	2344	504	38	1.85	3.2	2032	437	38	2.10	3.6	1776	382	38	2.40	4.6	1418	305	38	3.05	5.4	1200	258	38	3.60	6.0	1079	232	38	4.00	7.0	925	199	38	4.65																																																																																																																																																																																																																																																																																																						
20	248	69.12	8.9	2.20		23	218	60.81	9.0	2.60			24		206	57.42	9.1	2.70	13	375				104.37	5.6	1.00		GK49 GKF49 GKA49 GKAF49	0.75kW									15	326		90.86	6.2		1.15			16	306	85.12	6.5	1.50	18		270			75.20	6.8	1.40	20	251	69.84	6.9	1.50	22	227	63.30	7.1	1.65	24	204	56.83	7.3	1.80	28		176	48.95	7.4	2.10	30	165	46.04	7.5		2.20	24	210	58.60	4.6		0.90	GK39 GKF39 GKA39 GKAF39	0.11	60996	13116	158	0.85	GK189R99 GKA189R99	4P		28	179	49.79	4.6	1.05			31		160	44.46	4.5	1.15	37				136	37.97	4.4	1.35	39			128	35.57	4.4	1.45	46	108	29.96	4.2	1.75	48	103		28.83	4.2	1.80	56	90	24.99	4.1	2.10	60		84	23.36	4.0	2.20	69	72		20.19	3.9	2.40	81	62	17.15	3.8		2.70	0.12	54164	11647	169	0.95	GK169R99 GKA169R99		4P	0.19	34148	7343			171	1.50		0.21	31377	6747	171			1.65	0.23	27861	5991		171			1.90	0.16	40129	8629	135	0.85	GK159R99 GKF159R99 GKA159R99 GKAF159R99	4P	0.21			30516	6562	135	1.10			0.26	24903	5355	135	1.35			0.34		18969	4079	135	1.75	0.41	15700	3376	135	2.10	0.39	16463	3540	107	1.10	GK129R79 GKF129R79 GKA129R79 GKAF129R79			4P	0.46	14189	3051	108	1.25	0.84	7715	1659	110	2.30	GK109R79 GKF109R79 GKA109R79 GKAF109R79			4P	1.0		6348	1365	110	2.80	0.42	15398	3311	72	0.85	GK99R59 GKF99R59 GKA99R59 GKAF99R59	4P			0.46	13993	3009	75	0.95	0.53	12124			2607			76	1.10	0.72	8957	1926	77	1.45	0.79	8171	1757	77	1.60	0.90	7166	1541	78	1.85	1.0	6241	1342	78	2.10	1.2	5474	1177	78	2.40			1.4	4767	1025	78	2.80	1.5	4181	899	78	3.20	0.81	7966	1713	62	1.00	0.89	7231	1555	62	1.10	1.0	6213	1336	62	1.30	1.2	5422	1166	62	1.50	1.3	4790	1030	62	1.65	1.5	4204	904	62	1.90	1.8	3688	793	62	2.15	2.0	3237	696	62	2.45	2.3	2855	614	62	2.80	1.3	5125	1102	38	0.85	1.5	4451	957	38	0.95	1.6	3976	855	38	1.10	1.9	3455	743	38	1.25	2.1	3027	651	38	1.40	2.4	2665	573	38	1.60	2.8	2344	504	38	1.85	3.2	2032	437	38	2.10	3.6	1776	382	38	2.40	4.6	1418	305	38	3.05	5.4	1200	258	38	3.60	6.0	1079	232	38	4.00	7.0	925	199	38	4.65																																																																																																																																																																																																																																																																																																								
23	218	60.81	9.0	2.60		24	206	57.42	9.1	2.70			13		375	104.37	5.6	1.00	GK49 GKF49 GKA49 GKAF49	0.75kW							15		326	90.86	6.2			1.15	16			306	85.12		6.5	1.50		18			270	75.20	6.8	1.40	20	251	69.84	6.9	1.50		22	227	63.30	7.1	1.65	24	204	56.83	7.3	1.80	28	176	48.95	7.4	2.10	30	165	46.04	7.5		2.20	24	210	58.60	4.6	0.90	GK39 GKF39 GKA39 GKAF39	0.11		60996	13116	158	0.85	GK189R99 GKA189R99	4P	28		179	49.79	4.6	1.05	31				160	44.46	4.5	1.15	37			136		37.97	4.4	1.35	39	128				35.57	4.4	1.45	46	108	29.96	4.2	1.75	48	103	28.83	4.2	1.80	56	90	24.99	4.1	2.10		60	84	23.36	4.0	2.20	69	72	20.19	3.9		2.40	81	62	17.15	3.8	2.70		0.12	54164	11647	169	0.95	GK169R99 GKA169R99	4P		0.19	34148	7343	171	1.50	0.21				31377	6747	171			1.65	0.23		27861	5991	171	1.90			0.16	40129	8629	135		0.85	GK159R99 GKF159R99 GKA159R99 GKAF159R99	4P	0.21	30516	6562	135	1.10	0.26			24903			5355	135	1.35	0.34			18969	4079	135	1.75	0.41	15700	3376	135		2.10	0.39	16463	3540	107	1.10	GK129R79 GKF129R79 GKA129R79 GKAF129R79	4P	0.46	14189	3051	108	1.25	0.84		7715	1659		110	2.30	GK109R79 GKF109R79 GKA109R79 GKAF109R79	4P	1.0	6348	1365	110	2.80	0.42		15398	3311		72	0.85	GK99R59 GKF99R59 GKA99R59 GKAF99R59	4P	0.46	13993	3009	75	0.95	0.53	12124					2607	76	1.10	0.72	8957	1926	77			1.45			0.79	8171	1757	77	1.60	0.90	7166	1541	78	1.85	1.0	6241	1342	78	2.10	1.2	5474	1177	78	2.40	1.4	4767	1025	78	2.80	1.5	4181	899	78	3.20	0.81	7966	1713	62	1.00	0.89	7231	1555	62	1.10	1.0	6213	1336	62	1.30	1.2	5422	1166	62	1.50	1.3	4790	1030	62	1.65	1.5	4204	904	62	1.90	1.8	3688	793	62	2.15	2.0	3237	696	62	2.45	2.3	2855	614	62	2.80	1.3	5125	1102	38	0.85	1.5	4451	957	38	0.95	1.6	3976	855	38	1.10	1.9	3455	743	38	1.25	2.1	3027	651	38	1.40	2.4	2665	573	38	1.60	2.8	2344	504	38	1.85	3.2	2032	437	38	2.10	3.6	1776	382	38	2.40	4.6	1418	305	38	3.05	5.4	1200	258	38	3.60	6.0	1079	232	38	4.00	7.0	925	199	38	4.65																																																																																																																																																																																																																																																																																																																	
24	206	57.42	9.1	2.70		13	375	104.37	5.6	1.00			GK49 GKF49 GKA49 GKAF49		0.75kW									15	326	90.86	6.2		1.15	16	306			85.12	6.5			1.50	18		270	75.20	6.8	1.40	20		251	69.84	6.9	1.50	22	227	63.30	7.1	1.65		24	204	56.83	7.3	1.80	28	176	48.95	7.4	2.10	30	165	46.04	7.5	2.20	24	210	58.60	4.6		0.90	GK39 GKF39 GKA39 GKAF39	0.11	60996	13116	158		0.85	GK189R99 GKA189R99	4P	28	179	49.79			4.6		1.05	31	160	44.46	4.5				1.15	37	136	37.97	4.4			1.35		39	128	35.57	4.4	1.45	46	108		29.96	4.2	1.75	48	103	28.83	4.2	1.80	56	90	24.99	4.1	2.10	60	84	23.36	4.0	2.20		69	72	20.19	3.9	2.40	81	62	17.15	3.8		2.70	0.12	54164	11647	169	0.95		GK169R99 GKA169R99	4P	0.19	34148	7343				171	1.50	0.21	31377	6747	171				1.65	0.23	27861			5991	171		1.90	0.16	40129	8629	135	0.85	GK159R99 GKF159R99 GKA159R99 GKAF159R99	4P	0.21	30516		6562			135	1.10	0.26	24903	5355	135			1.35			0.34	18969	4079	135	1.75	0.41	15700	3376	135	2.10	0.39	16463	3540	107		1.10	GK129R79 GKF129R79 GKA129R79 GKAF129R79	4P	0.46	14189	3051			108	1.25	0.84	7715	1659	110	2.30	GK109R79 GKF109R79 GKA109R79 GKAF109R79	4P	1.0	6348	1365			110	2.80	0.42	15398	3311	72	0.85	GK99R59 GKF99R59 GKA99R59 GKAF99R59	4P	0.46	13993	3009			75	0.95	0.53	12124	2607	76	1.10					0.72	8957	1926	77	1.45	0.79	8171			1757			77	1.60	0.90	7166	1541	78	1.85	1.0	6241	1342	78	2.10	1.2	5474	1177	78	2.40	1.4	4767	1025	78	2.80	1.5	4181	899	78	3.20	0.81	7966	1713	62	1.00	0.89	7231	1555	62	1.10	1.0	6213	1336	62	1.30	1.2	5422	1166	62	1.50	1.3	4790	1030	62	1.65	1.5	4204	904	62	1.90	1.8	3688	793	62	2.15	2.0	3237	696	62	2.45	2.3	2855	614	62	2.80	1.3	5125	1102	38	0.85	1.5	4451	957	38	0.95	1.6	3976	855	38	1.10	1.9	3455	743	38	1.25	2.1	3027	651	38	1.40	2.4	2665	573	38	1.60	2.8	2344	504	38	1.85	3.2	2032	437	38	2.10	3.6	1776	382	38	2.40	4.6	1418	305	38	3.05	5.4	1200	258	38	3.60	6.0	1079	232	38	4.00	7.0	925	199	38	4.65																																																																																																																																																																																																																																																																																																																				
13	375	104.37	5.6	1.00		GK49 GKF49 GKA49 GKAF49	0.75kW																																																																																																																																																																																																																																																																																																																																																																																																																																																																																																																																																																																																																																																																																																																																												
15	326	90.86	6.2	1.15	16		306	85.12	6.5	1.50	18				270	75.20	6.8	1.40		20	251			69.84	6.9	1.50	22		227	63.30	7.1	1.65	24	204	56.83		7.3	1.80	28	176	48.95	7.4	2.10	30	165		46.04	7.5	2.20	24	210	58.60	4.6	0.90	GK39 GKF39 GKA39 GKAF39		0.11	60996	13116	158	0.85	GK189R99 GKA189R99	4P	28	179	49.79	4.6	1.05	31	160	44.46	4.5	1.15	37	136	37.97	4.4		1.35	39	128	35.57		4.4			1.45	46	108			29.96		4.2	1.75	48	103	28.83	4.2	1.80		56	90	24.99	4.1	2.10	60	84	23.36		4.0	2.20	69	72	20.19	3.9	2.40		81	62	17.15	3.8	2.70	0.12	54164	11647	169	0.95	GK169R99 GKA169R99	4P	0.19	34148	7343	171	1.50	0.21		31377	6747	171	1.65	0.23	27861	5991	171	1.90		0.16	40129	8629	135	0.85	GK159R99 GKF159R99 GKA159R99 GKAF159R99				4P	0.21	30516				6562	135	1.10	0.26	24903	5355	135		1.35	0.34	18969	4079	135	1.75	0.41	15700		3376	135	2.10	0.39	16463	3540			107	1.10		GK129R79 GKF129R79 GKA129R79 GKAF129R79			4P	0.46	14189	3051	108	1.25	0.84	7715	1659	110	2.30	GK109R79 GKF109R79 GKA109R79 GKAF109R79	4P	1.0	6348	1365	110	2.80	0.42	15398	3311	72	0.85	GK99R59 GKF99R59 GKA99R59 GKAF99R59	4P	0.46	13993	3009	75	0.95	0.53	12124	2607	76	1.10	0.72	8957	1926	77	1.45	0.79	8171	1757	77	1.60	0.90	7166	1541	78	1.85	1.0	6241	1342	78	2.10			1.2	5474	1177			78	2.40	1.4	4767	1025	78	2.80					1.5	4181	899	78	3.20	0.81	7966	1713	62	1.00	0.89	7231	1555	62	1.10	1.0	6213	1336	62	1.30	1.2	5422	1166	62	1.50	1.3	4790	1030	62	1.65	1.5	4204	904	62	1.90	1.8	3688	793	62	2.15	2.0	3237	696	62	2.45	2.3	2855	614	62	2.80	1.3	5125	1102	38	0.85	1.5	4451	957	38	0.95	1.6	3976	855	38	1.10	1.9	3455	743	38	1.25	2.1	3027	651	38	1.40	2.4	2665	573	38	1.60	2.8	2344	504	38	1.85	3.2	2032	437	38	2.10	3.6	1776	382	38	2.40	4.6	1418	305	38	3.05	5.4	1200	258	38	3.60	6.0	1079	232	38	4.00	7.0	925	199	38	4.65																																																																																																																																																																																																																																																																																																																																																						
16	306	85.12	6.5	1.50	18		270	75.20	6.8	1.40	20				251	69.84	6.9	1.50		22	227	63.30	7.1	1.65	24	204	56.83		7.3	1.80	28	176	48.95	7.4	2.10		30	165	46.04	7.5	2.20	24	210	58.60	4.6		0.90	GK39 GKF39 GKA39 GKAF39	0.11	60996	13116	158	0.85	GK189R99 GKA189R99		4P	28	179	49.79	4.6	1.05			31	160	44.46	4.5	1.15	37	136	37.97	4.4	1.35	39	128	35.57	4.4		1.45	46	108	29.96		4.2			1.75	48	103	28.83	4.2	1.80		56	90	24.99	4.1	2.10	60	84		23.36	4.0	2.20	69	72	20.19	3.9	2.40		81	62	17.15	3.8	2.70	0.12	54164		11647	169	0.95	GK169R99 GKA169R99	4P	0.19	34148	7343	171	1.50			0.21	31377	6747	171	1.65	0.23		27861	5991	171	1.90	0.16	40129	8629	135	0.85		GK159R99 GKF159R99 GKA159R99 GKAF159R99	4P	0.21	30516	6562						135	1.10	0.26	24903		5355	135	1.35	0.34	18969	4079	135		1.75	0.41	15700	3376	135	2.10	0.39	16463		3540	107	1.10	GK129R79 GKF129R79 GKA129R79 GKAF129R79	4P	0.46			14189	3051	108		1.25	0.84		7715	1659	110	2.30	GK109R79 GKF109R79 GKA109R79 GKAF109R79	4P	1.0	6348	1365	110			2.80	0.42	15398	3311	72	0.85	GK99R59 GKF99R59 GKA99R59 GKAF99R59	4P	0.46	13993			3009	75	0.95	0.53	12124	2607	76	1.10	0.72	8957	1926	77	1.45	0.79	8171	1757	77	1.60	0.90	7166	1541	78	1.85	1.0	6241	1342	78	2.10	1.2	5474			1177	78	2.40			1.4	4767	1025	78	2.80	1.5	4181			899	78	3.20	0.81	7966	1713	62	1.00	0.89	7231	1555	62	1.10	1.0	6213	1336	62	1.30	1.2	5422	1166	62	1.50	1.3	4790	1030	62	1.65	1.5	4204	904	62	1.90	1.8	3688	793	62	2.15	2.0	3237	696	62	2.45	2.3	2855	614	62	2.80	1.3	5125	1102	38	0.85	1.5	4451	957	38	0.95	1.6	3976	855	38	1.10	1.9	3455	743	38	1.25	2.1	3027	651	38	1.40	2.4	2665	573	38	1.60	2.8	2344	504	38	1.85	3.2	2032	437	38	2.10	3.6	1776	382	38	2.40	4.6	1418	305	38	3.05	5.4	1200	258	38	3.60	6.0	1079	232	38	4.00	7.0	925	199	38	4.65																																																																																																																																																																																																																																																																																																																																																										
18	270	75.20	6.8	1.40	20		251	69.84	6.9	1.50	22	227		63.30	7.1	1.65	24	204		56.83	7.3	1.80	28	176	48.95	7.4	2.10		30	165	46.04	7.5	2.20	24	210		58.60	4.6	0.90	GK39 GKF39 GKA39 GKAF39	0.11	60996	13116	158	0.85	GK189R99 GKA189R99	4P		28	179	49.79	4.6	1.05				31	160	44.46	4.5	1.15			37	136	37.97	4.4	1.35	39	128	35.57	4.4	1.45	46	108	29.96	4.2		1.75	48	103	28.83		4.2	1.80	56	90	24.99	4.1	2.10	60	84		23.36	4.0	2.20	69	72	20.19	3.9		2.40	81	62	17.15	3.8	2.70	0.12	54164		11647	169	0.95	GK169R99 GKA169R99	4P	0.19	34148		7343	171	1.50			0.21	31377	6747	171	1.65			0.23	27861	5991	171	1.90	0.16		40129	8629	135	0.85	GK159R99 GKF159R99 GKA159R99 GKAF159R99	4P	0.21	30516	6562				135	1.10	0.26			24903	5355		135	1.35	0.34	18969		4079	135	1.75	0.41	15700	3376	135		2.10	0.39	16463	3540	107	1.10	GK129R79 GKF129R79 GKA129R79 GKAF129R79	4P	0.46	14189	3051	108			1.25	0.84	7715	1659	110	2.30	GK109R79 GKF109R79 GKA109R79 GKAF109R79	4P	1.0	6348	1365	110	2.80	0.42			15398	3311	72	0.85	GK99R59 GKF99R59 GKA99R59 GKAF99R59	4P	0.46	13993	3009	75	0.95	0.53			12124	2607			76	1.10	0.72	8957	1926	77	1.45	0.79	8171	1757	77	1.60	0.90	7166	1541	78	1.85	1.0	6241	1342	78	2.10	1.2	5474	1177	78	2.40	1.4	4767	1025			78	2.80	1.5			4181	899	78	3.20	0.81	7966	1713	62	1.00	0.89	7231	1555	62	1.10	1.0	6213	1336	62	1.30	1.2	5422	1166	62	1.50	1.3	4790	1030	62	1.65	1.5	4204	904	62	1.90	1.8	3688	793	62	2.15	2.0	3237	696	62	2.45	2.3	2855	614	62	2.80	1.3	5125	1102	38	0.85	1.5	4451	957	38	0.95	1.6	3976	855	38	1.10	1.9	3455	743	38	1.25	2.1	3027	651	38	1.40	2.4	2665	573	38	1.60	2.8	2344	504	38	1.85	3.2	2032	437	38	2.10	3.6	1776	382	38	2.40	4.6	1418	305	38	3.05	5.4	1200	258	38	3.60	6.0	1079	232	38	4.00	7.0	925	199	38	4.65																																																																																																																																																																																																																																																																																																																																																																		
20	251	69.84	6.9	1.50	22		227	63.30	7.1	1.65	24	204		56.83	7.3	1.80	28	176		48.95	7.4	2.10	30	165	46.04	7.5	2.20		24	210	58.60	4.6	0.90	GK39 GKF39 GKA39 GKAF39	0.11	60996	13116	158	0.85		GK189R99 GKA189R99	4P	28	179	49.79				4.6	1.05	31	160	44.46				4.5	1.15	37	136	37.97			4.4	1.35	39	128	35.57	4.4	1.45	46	108	29.96	4.2	1.75	48	103		28.83	4.2	1.80	56		90	24.99	4.1	2.10	60	84	23.36	4.0	2.20		69	72	20.19	3.9	2.40	81	62		17.15	3.8	2.70	0.12	54164	11647	169	0.95		GK169R99 GKA169R99	4P	0.19			34148	7343		171	1.50	0.21			31377	6747	171	1.65	0.23			27861	5991	171	1.90	0.16	40129		8629	135	0.85	GK159R99 GKF159R99 GKA159R99 GKAF159R99			4P	0.21	30516				6562	135	1.10			0.26	24903		5355	135	1.35	0.34		18969	4079	135	1.75	0.41	15700	3376	135	2.10	0.39	16463	3540	107	1.10			GK129R79 GKF129R79 GKA129R79 GKAF129R79	4P	0.46	14189	3051	108	1.25	0.84	7715	1659	110	2.30			GK109R79 GKF109R79 GKA109R79 GKAF109R79	4P	1.0	6348	1365	110	2.80	0.42	15398	3311	72	0.85			GK99R59 GKF99R59 GKA99R59 GKAF99R59	4P	0.46	13993	3009	75			0.95	0.53			12124	2607	76	1.10	0.72	8957	1926	77	1.45	0.79	8171	1757	77	1.60	0.90	7166	1541	78	1.85	1.0	6241	1342	78	2.10	1.2	5474	1177	78	2.40	1.4			4767	1025	78	2.80	1.5	4181	899	78	3.20	0.81	7966	1713	62	1.00	0.89	7231	1555	62	1.10	1.0	6213	1336	62	1.30	1.2	5422	1166	62	1.50	1.3	4790	1030	62	1.65	1.5	4204	904	62	1.90	1.8	3688	793	62	2.15	2.0	3237	696	62	2.45	2.3	2855	614	62	2.80	1.3	5125	1102	38	0.85	1.5	4451	957	38	0.95	1.6	3976	855	38	1.10	1.9	3455	743	38	1.25	2.1	3027	651	38	1.40	2.4	2665	573	38	1.60	2.8	2344	504	38	1.85	3.2	2032	437	38	2.10	3.6	1776	382	38	2.40	4.6	1418	305	38	3.05	5.4	1200	258	38	3.60	6.0	1079	232	38	4.00	7.0	925	199	38	4.65																																																																																																																																																																																																																																																																																																																																																																		
22	227	63.30	7.1	1.65	24		204	56.83	7.3	1.80	28	176		48.95	7.4	2.10	30	165		46.04	7.5	2.20	24	210	58.60	4.6	0.90	GK39 GKF39 GKA39 GKAF39	0.11	60996	13116	158	0.85		GK189R99 GKA189R99	4P	28	179	49.79				4.6	1.05	31				160	44.46	4.5	1.15	37				136	37.97	4.4	1.35	39	128	35.57	4.4	1.45	46	108	29.96	4.2	1.75	48	103	28.83	4.2	1.80	56	90		24.99	4.1	2.10	60		84	23.36	4.0	2.20	69	72	20.19	3.9	2.40		81	62	17.15	3.8	2.70	0.12	54164		11647	169	0.95	GK169R99 GKA169R99	4P	0.19	34148	7343				171			1.50	0.21		31377	6747	171			1.65	0.23	27861	5991	171	1.90	0.16	40129	8629	135	0.85	GK159R99 GKF159R99 GKA159R99 GKAF159R99	4P		0.21	30516	6562					135	1.10				0.26	24903	5355	135		1.35	0.34	18969	4079	135	1.75	0.41	15700	3376	135	2.10	0.39	16463	3540	107	1.10	GK129R79 GKF129R79 GKA129R79 GKAF129R79	4P	0.46	14189	3051	108	1.25	0.84			7715	1659	110	2.30	GK109R79 GKF109R79 GKA109R79 GKAF109R79	4P	1.0	6348	1365	110	2.80	0.42			15398	3311	72	0.85	GK99R59 GKF99R59 GKA99R59 GKAF99R59	4P	0.46	13993	3009	75					0.95	0.53	12124	2607			76	1.10			0.72	8957	1926	77	1.45	0.79	8171	1757	77	1.60	0.90	7166	1541	78	1.85	1.0	6241	1342	78	2.10	1.2	5474	1177	78	2.40	1.4	4767	1025	78	2.80	1.5	4181	899	78	3.20	0.81	7966	1713	62	1.00	0.89	7231	1555	62	1.10	1.0	6213	1336	62	1.30	1.2	5422	1166	62	1.50	1.3	4790	1030	62	1.65	1.5	4204	904	62	1.90	1.8	3688	793	62	2.15	2.0	3237	696	62	2.45	2.3	2855	614	62	2.80	1.3	5125	1102	38	0.85	1.5	4451	957	38	0.95	1.6	3976	855	38	1.10	1.9	3455	743	38	1.25	2.1	3027	651	38	1.40	2.4	2665	573	38	1.60	2.8	2344	504	38	1.85	3.2	2032	437	38	2.10	3.6	1776	382	38	2.40	4.6	1418	305	38	3.05	5.4	1200	258	38	3.60	6.0	1079	232	38	4.00	7.0	925	199	38	4.65																																																																																																																																																																																																																																																																																																																																																																								
24	204	56.83	7.3	1.80	28		176	48.95	7.4	2.10	30	165		46.04	7.5	2.20	24	210	58.60	4.6	0.90	GK39 GKF39 GKA39 GKAF39	0.11	60996	13116	158	0.85		GK189R99 GKA189R99	4P	28	179	49.79				4.6	1.05	31				160	44.46	4.5				1.15	37	136	37.97	4.4	1.35		39	128	35.57	4.4	1.45	46	108	29.96	4.2	1.75	48	103	28.83	4.2	1.80	56	90	24.99	4.1	2.10	60	84		23.36	4.0	2.20	69		72	20.19	3.9	2.40	81	62	17.15	3.8	2.70		0.12	54164	11647	169	0.95	GK169R99 GKA169R99	4P		0.19	34148	7343			171	1.50	0.21				31377			6747	171		1.65	0.23	27861	5991	171	1.90	0.16	40129	8629	135	0.85	GK159R99 GKF159R99 GKA159R99 GKAF159R99	4P	0.21	30516	6562				135	1.10	0.26					24903	5355		135	1.35	0.34	18969	4079	135	1.75	0.41	15700	3376	135	2.10	0.39	16463	3540	107	1.10	GK129R79 GKF129R79 GKA129R79 GKAF129R79	4P	0.46	14189	3051	108			1.25	0.84	7715	1659	110	2.30	GK109R79 GKF109R79 GKA109R79 GKAF109R79	4P	1.0	6348	1365	110			2.80	0.42	15398	3311	72	0.85	GK99R59 GKF99R59 GKA99R59 GKAF99R59	4P	0.46	13993	3009	75			0.95	0.53	12124	2607					76	1.10	0.72	8957			1926	77			1.45	0.79	8171	1757	77	1.60	0.90	7166	1541	78	1.85	1.0	6241	1342	78	2.10	1.2	5474	1177	78	2.40	1.4	4767	1025	78	2.80	1.5	4181	899	78	3.20	0.81	7966	1713	62	1.00	0.89	7231	1555	62	1.10	1.0	6213	1336	62	1.30	1.2	5422	1166	62	1.50	1.3	4790	1030	62	1.65	1.5	4204	904	62	1.90	1.8	3688	793	62	2.15	2.0	3237	696	62	2.45	2.3	2855	614	62	2.80	1.3	5125	1102	38	0.85	1.5	4451	957	38	0.95	1.6	3976	855	38	1.10	1.9	3455	743	38	1.25	2.1	3027	651	38	1.40	2.4	2665	573	38	1.60	2.8	2344	504	38	1.85	3.2	2032	437	38	2.10	3.6	1776	382	38	2.40	4.6	1418	305	38	3.05	5.4	1200	258	38	3.60	6.0	1079	232	38	4.00	7.0	925	199	38	4.65																																																																																																																																																																																																																																																																																																																																																																												
28	176	48.95	7.4	2.10	30		165	46.04	7.5	2.20	24	210	58.60	4.6	0.90	GK39 GKF39 GKA39 GKAF39	0.11	60996	13116	158	0.85		GK189R99 GKA189R99	4P	28	179	49.79				4.6	1.05	31				160	44.46	4.5				1.15	37	136	37.97	4.4		1.35	39	128	35.57	4.4	1.45		46	108	29.96	4.2	1.75	48	103	28.83	4.2	1.80	56	90	24.99	4.1	2.10	60	84	23.36	4.0	2.20	69	72		20.19	3.9	2.40	81		62	17.15	3.8	2.70	0.12	54164	11647	169	0.95		GK169R99 GKA169R99	4P	0.19	34148	7343				171	1.50	0.21			31377	6747	171				1.65	0.23	27861	5991	171		1.90	0.16	40129	8629	135	0.85	GK159R99 GKF159R99 GKA159R99 GKAF159R99	4P	0.21	30516	6562			135	1.10	0.26				24903	5355	135		1.35	0.34		18969	4079	135	1.75	0.41	15700	3376	135	2.10	0.39	16463	3540	107	1.10	GK129R79 GKF129R79 GKA129R79 GKAF129R79	4P	0.46	14189	3051	108			1.25	0.84	7715	1659	110	2.30	GK109R79 GKF109R79 GKA109R79 GKAF109R79	4P	1.0	6348	1365	110			2.80	0.42	15398	3311	72	0.85	GK99R59 GKF99R59 GKA99R59 GKAF99R59	4P	0.46	13993	3009	75			0.95	0.53	12124	2607			76	1.10	0.72	8957					1926	77	1.45	0.79			8171	1757	77	1.60	0.90	7166	1541	78	1.85	1.0	6241	1342	78	2.10	1.2	5474	1177	78	2.40	1.4	4767	1025	78	2.80	1.5	4181	899	78	3.20	0.81	7966	1713	62	1.00	0.89	7231	1555	62	1.10	1.0	6213	1336	62	1.30	1.2	5422	1166	62	1.50	1.3	4790	1030	62	1.65	1.5	4204	904	62	1.90	1.8	3688	793	62	2.15	2.0	3237	696	62	2.45	2.3	2855	614	62	2.80	1.3	5125	1102	38	0.85	1.5	4451	957	38	0.95	1.6	3976	855	38	1.10	1.9	3455	743	38	1.25	2.1	3027	651	38	1.40	2.4	2665	573	38	1.60	2.8	2344	504	38	1.85	3.2	2032	437	38	2.10	3.6	1776	382	38	2.40	4.6	1418	305	38	3.05	5.4	1200	258	38	3.60	6.0	1079	232	38	4.00	7.0	925	199	38	4.65																																																																																																																																																																																																																																																																																																																																																																																		
30	165	46.04	7.5	2.20	24	210	58.60	4.6	0.90	GK39 GKF39 GKA39 GKAF39	0.11	60996	13116	158	0.85		GK189R99 GKA189R99	4P	28	179	49.79				4.6	1.05	31				160	44.46	4.5				1.15	37	136		37.97	4.4	1.35	39	128	35.57	4.4		1.45	46	108	29.96	4.2	1.75		48	103	28.83	4.2	1.80	56	90	24.99	4.1	2.10	60	84	23.36	4.0	2.20	69	72	20.19	3.9	2.40	81	62		17.15	3.8	2.70	0.12		54164	11647	169	0.95	GK169R99 GKA169R99	4P	0.19	34148	7343				171	1.50	0.21				31377	6747	171			1.65	0.23	27861		5991	171	1.90	0.16	40129	8629	135		0.85	GK159R99 GKF159R99 GKA159R99 GKAF159R99	4P	0.21	30516	6562			135	1.10	0.26			24903	5355	135			1.35	0.34	18969	4079	135	1.75	0.41	15700	3376	135	2.10	0.39	16463	3540	107	1.10	GK129R79 GKF129R79 GKA129R79 GKAF129R79	4P	0.46	14189	3051	108			1.25	0.84	7715	1659	110	2.30	GK109R79 GKF109R79 GKA109R79 GKAF109R79	4P	1.0	6348	1365	110			2.80	0.42	15398	3311	72	0.85	GK99R59 GKF99R59 GKA99R59 GKAF99R59	4P	0.46	13993	3009	75			0.95	0.53	12124	2607			76	1.10	0.72	8957			1926	77	1.45	0.79					8171	1757	77	1.60	0.90	7166	1541	78	1.85	1.0	6241	1342	78	2.10	1.2	5474	1177	78	2.40	1.4	4767	1025	78	2.80	1.5	4181	899	78	3.20	0.81	7966	1713	62	1.00	0.89	7231	1555	62	1.10	1.0	6213	1336	62	1.30	1.2	5422	1166	62	1.50	1.3	4790	1030	62	1.65	1.5	4204	904	62	1.90	1.8	3688	793	62	2.15	2.0	3237	696	62	2.45	2.3	2855	614	62	2.80	1.3	5125	1102	38	0.85	1.5	4451	957	38	0.95	1.6	3976	855	38	1.10	1.9	3455	743	38	1.25	2.1	3027	651	38	1.40	2.4	2665	573	38	1.60	2.8	2344	504	38	1.85	3.2	2032	437	38	2.10	3.6	1776	382	38	2.40	4.6	1418	305	38	3.05	5.4	1200	258	38	3.60	6.0	1079	232	38	4.00	7.0	925	199	38	4.65																																																																																																																																																																																																																																																																																																																																																																																								
24	210	58.60	4.6	0.90	GK39 GKF39 GKA39 GKAF39	0.11	60996	13116	158		0.85	GK189R99 GKA189R99	4P																																																																																																																																																																																																																																																																																																																																																																																																																																																																																																																																																																																																																																																																																																																																						
28	179	49.79	4.6	1.05		31	160	44.46	4.5		1.15			37	136				37.97	4.4	1.35				39	128	35.57		4.4	1.45	46	108	29.96		4.2	1.75	48	103	28.83		4.2	1.80	56	90	24.99	4.1	2.10		60	84	23.36	4.0	2.20	69		72	20.19	3.9	2.40	81	62	17.15	3.8	2.70	0.12	54164	11647	169	0.95	GK169R99 GKA169R99	4P	0.19	34148	7343	171	1.50	0.21		31377	6747	171	1.65		0.23	27861	5991	171			1.90	0.16	40129				8629	135	0.85	GK159R99 GKF159R99 GKA159R99 GKAF159R99	4P		0.21	30516	6562	135	1.10	0.26	24903	5355		135	1.35	0.34	18969	4079	135	1.75	0.41	15700			3376	135	2.10			0.39	16463	3540	107	1.10	GK129R79 GKF129R79 GKA129R79 GKAF129R79	4P	0.46	14189	3051	108	1.25	0.84	7715	1659	110	2.30	GK109R79 GKF109R79 GKA109R79 GKAF109R79	4P	1.0	6348	1365	110	2.80	0.42	15398	3311	72	0.85	GK99R59 GKF99R59 GKA99R59 GKAF99R59	4P	0.46	13993	3009	75	0.95	0.53	12124	2607	76	1.10	0.72	8957	1926	77	1.45	0.79	8171	1757	77	1.60	0.90	7166	1541			78	1.85	1.0	6241			1342	78	2.10	1.2			5474	1177	78	2.40			1.4	4767	1025	78	2.80	1.5	4181	899	78	3.20	0.81	7966	1713	62	1.00	0.89	7231	1555	62	1.10	1.0	6213	1336	62	1.30	1.2	5422	1166	62	1.50	1.3	4790	1030	62	1.65	1.5	4204	904	62	1.90	1.8	3688	793	62	2.15	2.0	3237	696	62	2.45	2.3	2855	614	62	2.80	1.3	5125	1102	38	0.85	1.5	4451	957	38	0.95	1.6	3976	855	38	1.10	1.9	3455	743	38	1.25	2.1	3027	651	38	1.40	2.4	2665	573	38	1.60	2.8	2344	504	38	1.85	3.2	2032	437	38	2.10	3.6	1776	382	38	2.40	4.6	1418	305	38	3.05	5.4	1200	258	38	3.60	6.0	1079	232	38	4.00	7.0	925	199	38	4.65																																																																																																																																																																																																																																																																																																																																																																																																																			
31	160	44.46	4.5	1.15		37	136	37.97	4.4		1.35			39	128				35.57	4.4	1.45		46	108	29.96	4.2	1.75		48	103	28.83	4.2	1.80		56	90	24.99	4.1	2.10		60	84	23.36	4.0	2.20	69	72		20.19	3.9	2.40	81	62	17.15		3.8	2.70	0.12	54164	11647	169	0.95	GK169R99 GKA169R99	4P	0.19	34148	7343	171	1.50			0.21	31377	6747	171	1.65	0.23		27861	5991	171	1.90		0.16	40129	8629	135			0.85	GK159R99 GKF159R99 GKA159R99 GKAF159R99	4P		0.21	30516	6562	135	1.10				0.26	24903	5355	135	1.35	0.34	18969	4079	135	1.75	0.41	15700	3376	135	2.10	0.39	16463	3540			107	1.10	GK129R79 GKF129R79 GKA129R79 GKAF129R79	4P	0.46	14189	3051	108	1.25	0.84			7715	1659	110	2.30	GK109R79 GKF109R79 GKA109R79 GKAF109R79	4P	1.0	6348	1365	110			2.80	0.42	15398	3311	72	0.85	GK99R59 GKF99R59 GKA99R59 GKAF99R59	4P	0.46	13993			3009	75	0.95	0.53	12124	2607	76	1.10	0.72	8957	1926	77	1.45	0.79	8171	1757	77	1.60	0.90	7166	1541	78	1.85			1.0	6241	1342	78			2.10	1.2	5474	1177			78	2.40	1.4	4767	1025	78	2.80	1.5	4181	899	78	3.20	0.81	7966	1713	62	1.00	0.89	7231	1555	62	1.10	1.0	6213	1336	62	1.30	1.2	5422	1166	62	1.50	1.3	4790	1030	62	1.65	1.5	4204	904	62	1.90	1.8	3688	793	62	2.15	2.0	3237	696	62	2.45	2.3	2855	614	62	2.80	1.3	5125	1102	38	0.85	1.5	4451	957	38	0.95	1.6	3976	855	38	1.10	1.9	3455	743	38	1.25	2.1	3027	651	38	1.40	2.4	2665	573	38	1.60	2.8	2344	504	38	1.85	3.2	2032	437	38	2.10	3.6	1776	382	38	2.40	4.6	1418	305	38	3.05	5.4	1200	258	38	3.60	6.0	1079	232	38	4.00	7.0	925	199	38	4.65																																																																																																																																																																																																																																																																																																																																																																																																																							
37	136	37.97	4.4	1.35		39	128	35.57	4.4		1.45			46	108		29.96	4.2	1.75	48	103		28.83	4.2	1.80	56	90		24.99	4.1	2.10	60	84		23.36	4.0	2.20	69	72		20.19	3.9	2.40	81	62	17.15	3.8		2.70	0.12	54164	11647	169	0.95		GK169R99 GKA169R99	4P	0.19	34148	7343	171	1.50			0.21	31377	6747	171	1.65			0.23	27861	5991	171	1.90	0.16		40129	8629	135	0.85		GK159R99 GKF159R99 GKA159R99 GKAF159R99	4P	0.21	30516	6562	135	1.10				0.26	24903	5355	135	1.35			0.34	18969	4079	135	1.75	0.41	15700	3376	135	2.10	0.39	16463	3540	107	1.10	GK129R79 GKF129R79 GKA129R79 GKAF129R79	4P	0.46	14189	3051	108	1.25	0.84			7715	1659	110	2.30	GK109R79 GKF109R79 GKA109R79 GKAF109R79	4P	1.0	6348	1365	110	2.80	0.42			15398	3311	72	0.85	GK99R59 GKF99R59 GKA99R59 GKAF99R59	4P	0.46	13993	3009	75	0.95	0.53			12124	2607			76	1.10	0.72	8957	1926	77	1.45	0.79	8171	1757	77	1.60	0.90	7166	1541	78	1.85	1.0	6241	1342	78	2.10	1.2			5474	1177	78	2.40			1.4	4767	1025	78	2.80	1.5	4181	899	78	3.20	0.81	7966	1713	62	1.00	0.89	7231	1555	62	1.10	1.0	6213	1336	62	1.30	1.2	5422	1166	62	1.50	1.3	4790	1030	62	1.65	1.5	4204	904	62	1.90	1.8	3688	793	62	2.15	2.0	3237	696	62	2.45	2.3	2855	614	62	2.80	1.3	5125	1102	38	0.85	1.5	4451	957	38	0.95	1.6	3976	855	38	1.10	1.9	3455	743	38	1.25	2.1	3027	651	38	1.40	2.4	2665	573	38	1.60	2.8	2344	504	38	1.85	3.2	2032	437	38	2.10	3.6	1776	382	38	2.40	4.6	1418	305	38	3.05	5.4	1200	258	38	3.60	6.0	1079	232	38	4.00	7.0	925	199	38	4.65																																																																																																																																																																																																																																																																																																																																																																																																																															
39	128	35.57	4.4	1.45		46	108	29.96	4.2		1.75	48	103	28.83	4.2		1.80	56	90	24.99	4.1		2.10	60	84	23.36	4.0		2.20	69	72	20.19	3.9		2.40	81	62	17.15	3.8		2.70	0.12	54164	11647	169	0.95	GK169R99 GKA169R99		4P	0.19	34148	7343	171	1.50				0.21	31377	6747	171	1.65			0.23	27861	5991	171	1.90			0.16	40129	8629	135	0.85	GK159R99 GKF159R99 GKA159R99 GKAF159R99		4P	0.21	30516	6562				135	1.10	0.26	24903	5355			135	1.35	0.34	18969	4079	135			1.75	0.41	15700	3376	135	2.10	0.39	16463	3540	107	1.10	GK129R79 GKF129R79 GKA129R79 GKAF129R79	4P	0.46	14189			3051	108	1.25	0.84	7715	1659	110	2.30	GK109R79 GKF109R79 GKA109R79 GKAF109R79	4P	1.0	6348			1365	110	2.80	0.42	15398	3311	72	0.85	GK99R59 GKF99R59 GKA99R59 GKAF99R59	4P	0.46	13993			3009	75	0.95	0.53	12124	2607			76	1.10			0.72	8957	1926	77	1.45	0.79	8171	1757	77	1.60	0.90	7166	1541	78	1.85	1.0	6241	1342	78	2.10	1.2	5474	1177			78	2.40	1.4	4767	1025	78	2.80	1.5	4181	899	78	3.20	0.81	7966	1713	62	1.00	0.89	7231	1555	62	1.10	1.0	6213	1336	62	1.30	1.2	5422	1166	62	1.50	1.3	4790	1030	62	1.65	1.5	4204	904	62	1.90	1.8	3688	793	62	2.15	2.0	3237	696	62	2.45	2.3	2855	614	62	2.80	1.3	5125	1102	38	0.85	1.5	4451	957	38	0.95	1.6	3976	855	38	1.10	1.9	3455	743	38	1.25	2.1	3027	651	38	1.40	2.4	2665	573	38	1.60	2.8	2344	504	38	1.85	3.2	2032	437	38	2.10	3.6	1776	382	38	2.40	4.6	1418	305	38	3.05	5.4	1200	258	38	3.60	6.0	1079	232	38	4.00	7.0	925	199	38	4.65																																																																																																																																																																																																																																																																																																																																																																																																																																			
46	108	29.96	4.2	1.75		48	103	28.83	4.2		1.80	56	90	24.99	4.1		2.10	60	84	23.36	4.0		2.20	69	72	20.19	3.9		2.40	81	62	17.15	3.8		2.70	0.12	54164	11647	169		0.95	GK169R99 GKA169R99	4P	0.19	34148	7343				171	1.50	0.21	31377	6747				171	1.65	0.23	27861	5991			171	1.90	0.16	40129	8629	135	0.85	GK159R99 GKF159R99 GKA159R99 GKAF159R99	4P	0.21	30516	6562				135	1.10	0.26	24903			5355	135	1.35	0.34	18969			4079	135	1.75	0.41	15700	3376	135	2.10	0.39	16463	3540	107	1.10	GK129R79 GKF129R79 GKA129R79 GKAF129R79	4P	0.46	14189	3051	108			1.25	0.84	7715	1659	110	2.30	GK109R79 GKF109R79 GKA109R79 GKAF109R79	4P	1.0	6348	1365	110			2.80	0.42	15398	3311	72	0.85	GK99R59 GKF99R59 GKA99R59 GKAF99R59	4P	0.46	13993	3009	75			0.95	0.53			12124	2607	76	1.10	0.72	8957			1926	77			1.45	0.79	8171	1757	77	1.60	0.90	7166	1541	78	1.85	1.0	6241	1342	78	2.10	1.2	5474	1177	78	2.40	1.4	4767	1025	78	2.80	1.5	4181	899	78	3.20	0.81	7966	1713	62	1.00	0.89	7231	1555	62	1.10	1.0	6213	1336	62	1.30	1.2	5422	1166	62	1.50	1.3	4790	1030	62	1.65	1.5	4204	904	62	1.90	1.8	3688	793	62	2.15	2.0	3237	696	62	2.45	2.3	2855	614	62	2.80	1.3	5125	1102	38	0.85	1.5	4451	957	38	0.95	1.6	3976	855	38	1.10	1.9	3455	743	38	1.25	2.1	3027	651	38	1.40	2.4	2665	573	38	1.60	2.8	2344	504	38	1.85	3.2	2032	437	38	2.10	3.6	1776	382	38	2.40	4.6	1418	305	38	3.05	5.4	1200	258	38	3.60	6.0	1079	232	38	4.00	7.0	925	199	38	4.65																																																																																																																																																																																																																																																																																																																																																																																																																																									
48	103	28.83	4.2	1.80		56	90	24.99	4.1		2.10	60	84	23.36	4.0		2.20	69	72	20.19	3.9		2.40	81	62	17.15	3.8		2.70	0.12	54164	11647	169		0.95	GK169R99 GKA169R99	4P	0.19	34148		7343			171	1.50	0.21				31377	6747	171	1.65	0.23				27861	5991	171	1.90	0.16	40129	8629	135	0.85	GK159R99 GKF159R99 GKA159R99 GKAF159R99	4P	0.21	30516	6562			135	1.10	0.26		24903		5355	135	1.35	0.34			18969	4079	135	1.75	0.41	15700	3376	135	2.10	0.39	16463	3540	107	1.10	GK129R79 GKF129R79 GKA129R79 GKAF129R79	4P	0.46	14189	3051	108			1.25	0.84	7715	1659	110	2.30	GK109R79 GKF109R79 GKA109R79 GKAF109R79	4P	1.0	6348	1365	110			2.80	0.42	15398	3311	72	0.85	GK99R59 GKF99R59 GKA99R59 GKAF99R59	4P	0.46	13993	3009	75			0.95	0.53	12124	2607			76	1.10			0.72	8957	1926	77	1.45	0.79			8171	1757			77	1.60	0.90	7166	1541	78	1.85	1.0	6241	1342	78	2.10	1.2	5474	1177	78	2.40	1.4	4767	1025	78	2.80	1.5	4181	899	78	3.20	0.81	7966	1713	62	1.00	0.89	7231	1555	62	1.10	1.0	6213	1336	62	1.30	1.2	5422	1166	62	1.50	1.3	4790	1030	62	1.65	1.5	4204	904	62	1.90	1.8	3688	793	62	2.15	2.0	3237	696	62	2.45	2.3	2855	614	62	2.80	1.3	5125	1102	38	0.85	1.5	4451	957	38	0.95	1.6	3976	855	38	1.10	1.9	3455	743	38	1.25	2.1	3027	651	38	1.40	2.4	2665	573	38	1.60	2.8	2344	504	38	1.85	3.2	2032	437	38	2.10	3.6	1776	382	38	2.40	4.6	1418	305	38	3.05	5.4	1200	258	38	3.60	6.0	1079	232	38	4.00	7.0	925	199	38	4.65																																																																																																																																																																																																																																																																																																																																																																																																																																													
56	90	24.99	4.1	2.10		60	84	23.36	4.0		2.20	69	72	20.19	3.9		2.40	81	62	17.15	3.8		2.70	0.12	54164	11647	169		0.95	GK169R99 GKA169R99	4P	0.19	34148		7343			171	1.50		0.21			31377	6747	171				1.65	0.23	27861	5991	171		1.90	0.16	40129	8629	135	0.85	GK159R99 GKF159R99 GKA159R99 GKAF159R99	4P	0.21	30516	6562			135	1.10	0.26			24903	5355	135		1.35		0.34	18969	4079	135	1.75	0.41	15700	3376	135	2.10	0.39	16463	3540	107	1.10	GK129R79 GKF129R79 GKA129R79 GKAF129R79	4P	0.46	14189	3051			108	1.25	0.84	7715	1659	110	2.30	GK109R79 GKF109R79 GKA109R79 GKAF109R79	4P	1.0	6348	1365			110	2.80	0.42	15398	3311	72	0.85	GK99R59 GKF99R59 GKA99R59 GKAF99R59	4P	0.46	13993	3009			75	0.95	0.53	12124			2607	76	1.10	0.72			8957	1926			77	1.45	0.79	8171	1757	77			1.60	0.90	7166	1541	78	1.85	1.0	6241	1342	78	2.10	1.2	5474	1177	78	2.40	1.4	4767	1025	78	2.80	1.5	4181	899	78	3.20	0.81	7966	1713	62	1.00	0.89	7231	1555	62	1.10	1.0	6213	1336	62	1.30	1.2	5422	1166	62	1.50	1.3	4790	1030	62	1.65	1.5	4204	904	62	1.90	1.8	3688	793	62	2.15	2.0	3237	696	62	2.45	2.3	2855	614	62	2.80	1.3	5125	1102	38	0.85	1.5	4451	957	38	0.95	1.6	3976	855	38	1.10	1.9	3455	743	38	1.25	2.1	3027	651	38	1.40	2.4	2665	573	38	1.60	2.8	2344	504	38	1.85	3.2	2032	437	38	2.10	3.6	1776	382	38	2.40	4.6	1418	305	38	3.05	5.4	1200	258	38	3.60	6.0	1079	232	38	4.00	7.0	925	199	38	4.65																																																																																																																																																																																																																																																																																																																																																																																																																																																		
60	84	23.36	4.0	2.20		69	72	20.19	3.9		2.40	81	62	17.15	3.8		2.70	0.12	54164	11647	169		0.95	GK169R99 GKA169R99	4P	0.19	34148		7343			171	1.50		0.21			31377	6747		171			1.65	0.23	27861	5991		171	1.90	0.16	40129	8629	135	0.85	GK159R99 GKF159R99 GKA159R99 GKAF159R99	4P	0.21	30516	6562	135			1.10	0.26	24903			5355	135	1.35			0.34	18969	4079	135	1.75	0.41	15700	3376	135	2.10	0.39	16463	3540	107	1.10	GK129R79 GKF129R79 GKA129R79 GKAF129R79	4P	0.46	14189	3051	108			1.25	0.84	7715	1659	110	2.30	GK109R79 GKF109R79 GKA109R79 GKAF109R79	4P	1.0	6348	1365	110			2.80	0.42	15398	3311	72	0.85	GK99R59 GKF99R59 GKA99R59 GKAF99R59	4P	0.46	13993	3009	75			0.95	0.53	12124			2607	76	1.10	0.72			8957	1926	77	1.45			0.79	8171			1757	77	1.60	0.90	7166	1541	78	1.85	1.0	6241	1342	78	2.10	1.2	5474	1177	78	2.40	1.4	4767	1025	78	2.80	1.5	4181	899	78	3.20	0.81	7966	1713	62	1.00	0.89	7231	1555	62	1.10	1.0	6213	1336	62	1.30	1.2	5422	1166	62	1.50	1.3	4790	1030	62	1.65	1.5	4204	904	62	1.90	1.8	3688	793	62	2.15	2.0	3237	696	62	2.45	2.3	2855	614	62	2.80	1.3	5125	1102	38	0.85	1.5	4451	957	38	0.95	1.6	3976	855	38	1.10	1.9	3455	743	38	1.25	2.1	3027	651	38	1.40	2.4	2665	573	38	1.60	2.8	2344	504	38	1.85	3.2	2032	437	38	2.10	3.6	1776	382	38	2.40	4.6	1418	305	38	3.05	5.4	1200	258	38	3.60	6.0	1079	232	38	4.00	7.0	925	199	38	4.65																																																																																																																																																																																																																																																																																																																																																																																																																																																								
69	72	20.19	3.9	2.40		81	62	17.15	3.8		2.70	0.12	54164	11647	169		0.95	GK169R99 GKA169R99	4P	0.19	34148		7343			171	1.50		0.21			31377	6747		171			1.65	0.23		27861	5991	171	1.90	0.16	40129	8629	135	0.85	GK159R99 GKF159R99 GKA159R99 GKAF159R99	4P	0.21	30516	6562	135			1.10	0.26	24903	5355			135	1.35	0.34			18969	4079	135	1.75	0.41	15700	3376	135	2.10	0.39	16463	3540	107	1.10	GK129R79 GKF129R79 GKA129R79 GKAF129R79	4P	0.46	14189	3051	108			1.25	0.84	7715	1659	110	2.30	GK109R79 GKF109R79 GKA109R79 GKAF109R79	4P	1.0	6348	1365	110			2.80	0.42	15398	3311	72	0.85	GK99R59 GKF99R59 GKA99R59 GKAF99R59	4P	0.46	13993	3009	75			0.95	0.53	12124	2607			76	1.10	0.72			8957	1926	77	1.45			0.79	8171	1757	77			1.60	0.90	7166	1541	78	1.85	1.0	6241	1342	78	2.10	1.2	5474	1177	78	2.40	1.4	4767	1025	78	2.80	1.5	4181	899	78	3.20	0.81	7966	1713	62	1.00	0.89	7231	1555	62	1.10	1.0	6213	1336	62	1.30	1.2	5422	1166	62	1.50	1.3	4790	1030	62	1.65	1.5	4204	904	62	1.90	1.8	3688	793	62	2.15	2.0	3237	696	62	2.45	2.3	2855	614	62	2.80	1.3	5125	1102	38	0.85	1.5	4451	957	38	0.95	1.6	3976	855	38	1.10	1.9	3455	743	38	1.25	2.1	3027	651	38	1.40	2.4	2665	573	38	1.60	2.8	2344	504	38	1.85	3.2	2032	437	38	2.10	3.6	1776	382	38	2.40	4.6	1418	305	38	3.05	5.4	1200	258	38	3.60	6.0	1079	232	38	4.00	7.0	925	199	38	4.65																																																																																																																																																																																																																																																																																																																																																																																																																																																														
81	62	17.15	3.8	2.70		0.12	54164	11647	169		0.95	GK169R99 GKA169R99	4P	0.19	34148		7343			171	1.50		0.21			31377	6747		171			1.65	0.23		27861	5991	171	1.90	0.16	40129	8629	135	0.85	GK159R99 GKF159R99 GKA159R99 GKAF159R99	4P	0.21	30516	6562	135			1.10	0.26	24903	5355			135	1.35	0.34	18969			4079	135	1.75	0.41	15700	3376	135	2.10	0.39	16463	3540	107	1.10	GK129R79 GKF129R79 GKA129R79 GKAF129R79	4P	0.46	14189	3051	108			1.25	0.84	7715	1659	110	2.30	GK109R79 GKF109R79 GKA109R79 GKAF109R79	4P	1.0	6348	1365	110			2.80	0.42	15398	3311	72	0.85	GK99R59 GKF99R59 GKA99R59 GKAF99R59	4P	0.46	13993	3009	75			0.95	0.53	12124	2607			76	1.10	0.72	8957			1926	77	1.45			0.79	8171	1757	77			1.60	0.90	7166	1541	78	1.85	1.0	6241	1342	78	2.10	1.2	5474	1177	78	2.40	1.4	4767	1025	78	2.80	1.5	4181	899	78	3.20	0.81	7966	1713	62	1.00	0.89	7231	1555	62	1.10	1.0	6213	1336	62	1.30	1.2	5422	1166	62	1.50	1.3	4790	1030	62	1.65	1.5	4204	904	62	1.90	1.8	3688	793	62	2.15	2.0	3237	696	62	2.45	2.3	2855	614	62	2.80	1.3	5125	1102	38	0.85	1.5	4451	957	38	0.95	1.6	3976	855	38	1.10	1.9	3455	743	38	1.25	2.1	3027	651	38	1.40	2.4	2665	573	38	1.60	2.8	2344	504	38	1.85	3.2	2032	437	38	2.10	3.6	1776	382	38	2.40	4.6	1418	305	38	3.05	5.4	1200	258	38	3.60	6.0	1079	232	38	4.00	7.0	925	199	38	4.65																																																																																																																																																																																																																																																																																																																																																																																																																																																																				
0.12	54164	11647	169	0.95		GK169R99 GKA169R99	4P																																																																																																																																																																																																																																																																																																																																																																																																																																																																																																																																																																																																																																																																																																																																												
0.19	34148	7343	171	1.50				0.21	31377		6747			171	1.65		0.23			27861	5991		171	1.90	0.16	40129	8629	135	0.85	GK159R99 GKF159R99 GKA159R99 GKAF159R99	4P	0.21	30516	6562	135	1.10	0.26	24903	5355	135	1.35	0.34	18969			4079	135	1.75	0.41			15700	3376	135	2.10	0.39	16463	3540	107	1.10	GK129R79 GKF129R79 GKA129R79 GKAF129R79	4P	0.46	14189	3051	108	1.25	0.84	7715	1659	110	2.30	GK109R79 GKF109R79 GKA109R79 GKAF109R79	4P	1.0	6348	1365	110	2.80	0.42	15398	3311	72	0.85	GK99R59 GKF99R59 GKA99R59 GKAF99R59	4P	0.46	13993	3009	75	0.95	0.53	12124	2607	76	1.10	0.72	8957	1926	77	1.45	0.79	8171	1757			77	1.60	0.90	7166			1541	78	1.85	1.0			6241	1342	78	2.10			1.2	5474	1177	78	2.40	1.4	4767	1025	78	2.80	1.5	4181	899	78	3.20	0.81	7966	1713	62	1.00	0.89	7231	1555	62	1.10	1.0	6213	1336	62	1.30	1.2	5422	1166	62	1.50	1.3	4790	1030	62	1.65	1.5	4204	904	62	1.90	1.8	3688	793	62	2.15	2.0	3237	696	62	2.45	2.3	2855	614	62	2.80	1.3	5125	1102	38	0.85	1.5	4451	957	38	0.95	1.6	3976	855	38	1.10	1.9	3455	743	38	1.25	2.1	3027	651	38	1.40	2.4	2665	573	38	1.60	2.8	2344	504	38	1.85	3.2	2032	437	38	2.10	3.6	1776	382	38	2.40	4.6	1418	305	38	3.05	5.4	1200	258	38	3.60	6.0	1079	232	38	4.00	7.0	925	199	38	4.65																																																																																																																																																																																																																																																																																																																																																																																																																																																																																										
0.21	31377	6747	171	1.65				0.23	27861		5991			171	1.90		0.16	40129	8629	135	0.85	GK159R99 GKF159R99 GKA159R99 GKAF159R99	4P	0.21	30516	6562	135	1.10	0.26			24903	5355	135	1.35	0.34	18969	4079	135	1.75	0.41	15700	3376			135	2.10	0.39	16463	3540	107	1.10	GK129R79 GKF129R79 GKA129R79 GKAF129R79	4P	0.46	14189	3051	108	1.25	0.84			7715	1659	110	2.30	GK109R79 GKF109R79 GKA109R79 GKAF109R79	4P	1.0	6348	1365	110			2.80	0.42	15398	3311	72	0.85	GK99R59 GKF99R59 GKA99R59 GKAF99R59	4P	0.46	13993			3009	75	0.95	0.53	12124	2607	76	1.10	0.72	8957	1926	77	1.45	0.79	8171	1757	77	1.60			0.90	7166	1541	78			1.85	1.0	6241	1342			78	2.10	1.2	5474	1177	78	2.40	1.4	4767	1025	78	2.80	1.5	4181	899	78	3.20	0.81	7966	1713	62	1.00	0.89	7231	1555	62	1.10	1.0	6213	1336	62	1.30	1.2	5422	1166	62	1.50	1.3	4790	1030	62	1.65	1.5	4204	904	62	1.90	1.8	3688	793	62	2.15	2.0	3237	696	62	2.45	2.3	2855	614	62	2.80	1.3	5125	1102	38	0.85	1.5	4451	957	38	0.95	1.6	3976	855	38	1.10	1.9	3455	743	38	1.25	2.1	3027	651	38	1.40	2.4	2665	573	38	1.60	2.8	2344	504	38	1.85	3.2	2032	437	38	2.10	3.6	1776	382	38	2.40	4.6	1418	305	38	3.05	5.4	1200	258	38	3.60	6.0	1079	232	38	4.00	7.0	925	199	38	4.65																																																																																																																																																																																																																																																																																																																																																																																																																																																																																														
0.23	27861	5991	171	1.90				0.16	40129		8629	135	0.85	GK159R99 GKF159R99 GKA159R99 GKAF159R99	4P	0.21	30516	6562	135	1.10	0.26			24903	5355	135	1.35	0.34	18969			4079	135	1.75	0.41	15700	3376	135	2.10	0.39	16463	3540	107	1.10	GK129R79 GKF129R79 GKA129R79 GKAF129R79	4P	0.46	14189	3051	108	1.25	0.84			7715	1659	110	2.30	GK109R79 GKF109R79 GKA109R79 GKAF109R79	4P	1.0	6348	1365	110	2.80	0.42			15398	3311	72	0.85	GK99R59 GKF99R59 GKA99R59 GKAF99R59	4P	0.46	13993	3009	75	0.95	0.53			12124	2607			76	1.10	0.72	8957	1926	77	1.45	0.79	8171	1757	77	1.60	0.90	7166	1541	78	1.85	1.0			6241	1342	78	2.10			1.2	5474	1177	78	2.40	1.4	4767	1025	78	2.80	1.5	4181	899	78	3.20	0.81	7966	1713	62	1.00	0.89	7231	1555	62	1.10	1.0	6213	1336	62	1.30	1.2	5422	1166	62	1.50	1.3	4790	1030	62	1.65	1.5	4204	904	62	1.90	1.8	3688	793	62	2.15	2.0	3237	696	62	2.45	2.3	2855	614	62	2.80	1.3	5125	1102	38	0.85	1.5	4451	957	38	0.95	1.6	3976	855	38	1.10	1.9	3455	743	38	1.25	2.1	3027	651	38	1.40	2.4	2665	573	38	1.60	2.8	2344	504	38	1.85	3.2	2032	437	38	2.10	3.6	1776	382	38	2.40	4.6	1418	305	38	3.05	5.4	1200	258	38	3.60	6.0	1079	232	38	4.00	7.0	925	199	38	4.65																																																																																																																																																																																																																																																																																																																																																																																																																																																																																																						
0.16	40129	8629	135	0.85		GK159R99 GKF159R99 GKA159R99 GKAF159R99	4P																																																																																																																																																																																																																																																																																																																																																																																																																																																																																																																																																																																																																																																																																																																																												
0.21	30516	6562	135	1.10	0.26			24903	5355	135	1.35	0.34	18969			4079	135	1.75	0.41	15700	3376			135	2.10	0.39	16463	3540	107	1.10	GK129R79 GKF129R79 GKA129R79 GKAF129R79	4P	0.46	14189	3051	108	1.25	0.84	7715	1659	110	2.30	GK109R79 GKF109R79 GKA109R79 GKAF109R79	4P	1.0	6348	1365	110	2.80	0.42	15398	3311	72	0.85	GK99R59 GKF99R59 GKA99R59 GKAF99R59	4P	0.46	13993	3009	75	0.95	0.53	12124	2607	76	1.10	0.72	8957	1926	77	1.45	0.79			8171	1757	77	1.60	0.90	7166			1541	78			1.85	1.0	6241	1342	78	2.10	1.2	5474	1177	78	2.40	1.4	4767	1025	78	2.80	1.5	4181	899	78	3.20	0.81	7966	1713	62	1.00	0.89	7231	1555	62	1.10	1.0	6213	1336	62	1.30	1.2	5422	1166	62	1.50	1.3	4790	1030	62	1.65	1.5	4204	904	62	1.90	1.8	3688	793	62	2.15	2.0	3237	696	62	2.45	2.3	2855	614	62	2.80	1.3	5125	1102	38	0.85	1.5	4451	957	38	0.95	1.6	3976	855	38	1.10	1.9	3455	743	38	1.25	2.1	3027	651	38	1.40	2.4	2665	573	38	1.60	2.8	2344	504	38	1.85	3.2	2032	437	38	2.10	3.6	1776	382	38	2.40	4.6	1418	305	38	3.05	5.4	1200	258	38	3.60	6.0	1079	232	38	4.00	7.0	925	199	38	4.65																																																																																																																																																																																																																																																																																																																																																																																																																																																																																																																										
0.26	24903	5355	135	1.35	0.34			18969	4079	135	1.75	0.41	15700			3376	135	2.10	0.39	16463	3540	107	1.10	GK129R79 GKF129R79 GKA129R79 GKAF129R79	4P	0.46	14189	3051	108	1.25			0.84	7715	1659	110	2.30	GK109R79 GKF109R79 GKA109R79 GKAF109R79	4P	1.0	6348	1365			110	2.80	0.42	15398	3311	72	0.85	GK99R59 GKF99R59 GKA99R59 GKAF99R59	4P	0.46			13993	3009	75	0.95	0.53	12124	2607	76	1.10	0.72	8957	1926	77	1.45	0.79	8171			1757	77	1.60	0.90	7166	1541			78	1.85			1.0	6241	1342	78	2.10	1.2	5474	1177	78	2.40	1.4	4767	1025	78	2.80	1.5	4181	899	78	3.20	0.81	7966	1713	62	1.00	0.89	7231	1555	62	1.10	1.0	6213	1336	62	1.30	1.2	5422	1166	62	1.50	1.3	4790	1030	62	1.65	1.5	4204	904	62	1.90	1.8	3688	793	62	2.15	2.0	3237	696	62	2.45	2.3	2855	614	62	2.80	1.3	5125	1102	38	0.85	1.5	4451	957	38	0.95	1.6	3976	855	38	1.10	1.9	3455	743	38	1.25	2.1	3027	651	38	1.40	2.4	2665	573	38	1.60	2.8	2344	504	38	1.85	3.2	2032	437	38	2.10	3.6	1776	382	38	2.40	4.6	1418	305	38	3.05	5.4	1200	258	38	3.60	6.0	1079	232	38	4.00	7.0	925	199	38	4.65																																																																																																																																																																																																																																																																																																																																																																																																																																																																																																																											
0.34	18969	4079	135	1.75	0.41			15700	3376	135	2.10	0.39	16463	3540	107	1.10	GK129R79 GKF129R79 GKA129R79 GKAF129R79	4P	0.46	14189	3051	108	1.25			0.84	7715	1659	110	2.30	GK109R79 GKF109R79 GKA109R79 GKAF109R79	4P	1.0	6348	1365	110	2.80			0.42	15398	3311	72	0.85	GK99R59 GKF99R59 GKA99R59 GKAF99R59	4P	0.46	13993	3009	75	0.95			0.53			12124	2607	76	1.10	0.72	8957	1926	77	1.45	0.79	8171	1757	77	1.60	0.90	7166			1541	78	1.85	1.0	6241	1342			78	2.10	1.2	5474	1177	78	2.40	1.4	4767	1025	78	2.80	1.5	4181	899	78	3.20	0.81	7966	1713	62	1.00	0.89	7231	1555	62	1.10	1.0	6213	1336	62	1.30	1.2	5422	1166	62	1.50	1.3	4790	1030	62	1.65	1.5	4204	904	62	1.90	1.8	3688	793	62	2.15	2.0	3237	696	62	2.45	2.3	2855	614	62	2.80	1.3	5125	1102	38	0.85	1.5	4451	957	38	0.95	1.6	3976	855	38	1.10	1.9	3455	743	38	1.25	2.1	3027	651	38	1.40	2.4	2665	573	38	1.60	2.8	2344	504	38	1.85	3.2	2032	437	38	2.10	3.6	1776	382	38	2.40	4.6	1418	305	38	3.05	5.4	1200	258	38	3.60	6.0	1079	232	38	4.00	7.0	925	199	38	4.65																																																																																																																																																																																																																																																																																																																																																																																																																																																																																																																																		
0.41	15700	3376	135	2.10	0.39	16463	3540	107	1.10	GK129R79 GKF129R79 GKA129R79 GKAF129R79	4P	0.46	14189	3051	108	1.25			0.84	7715	1659	110	2.30	GK109R79 GKF109R79 GKA109R79 GKAF109R79	4P	1.0	6348	1365	110	2.80			0.42	15398	3311	72	0.85	GK99R59 GKF99R59 GKA99R59 GKAF99R59	4P	0.46	13993	3009	75	0.95			0.53	12124	2607	76	1.10			0.72			8957	1926	77	1.45	0.79	8171	1757	77	1.60	0.90	7166	1541	78	1.85	1.0	6241			1342	78	2.10	1.2	5474	1177	78	2.40	1.4	4767	1025	78	2.80	1.5	4181	899	78	3.20	0.81	7966	1713	62	1.00	0.89	7231	1555	62	1.10	1.0	6213	1336	62	1.30	1.2	5422	1166	62	1.50	1.3	4790	1030	62	1.65	1.5	4204	904	62	1.90	1.8	3688	793	62	2.15	2.0	3237	696	62	2.45	2.3	2855	614	62	2.80	1.3	5125	1102	38	0.85	1.5	4451	957	38	0.95	1.6	3976	855	38	1.10	1.9	3455	743	38	1.25	2.1	3027	651	38	1.40	2.4	2665	573	38	1.60	2.8	2344	504	38	1.85	3.2	2032	437	38	2.10	3.6	1776	382	38	2.40	4.6	1418	305	38	3.05	5.4	1200	258	38	3.60	6.0	1079	232	38	4.00	7.0	925	199	38	4.65																																																																																																																																																																																																																																																																																																																																																																																																																																																																																																																																									
0.39	16463	3540	107	1.10	GK129R79 GKF129R79 GKA129R79 GKAF129R79	4P																																																																																																																																																																																																																																																																																																																																																																																																																																																																																																																																																																																																																																																																																																																																													
0.46	14189	3051	108	1.25			0.84	7715	1659	110	2.30	GK109R79 GKF109R79 GKA109R79 GKAF109R79	4P	1.0	6348	1365	110	2.80	0.42	15398	3311	72	0.85	GK99R59 GKF99R59 GKA99R59 GKAF99R59	4P	0.46	13993	3009	75	0.95	0.53	12124	2607	76	1.10	0.72	8957			1926	77	1.45	0.79	8171			1757	77	1.60	0.90	7166			1541			78	1.85	1.0	6241	1342	78	2.10	1.2	5474	1177	78	2.40	1.4	4767	1025	78	2.80	1.5	4181	899	78	3.20	0.81	7966	1713	62	1.00	0.89	7231	1555	62	1.10	1.0	6213	1336	62	1.30	1.2	5422	1166	62	1.50	1.3	4790	1030	62	1.65	1.5	4204	904	62	1.90	1.8	3688	793	62	2.15	2.0	3237	696	62	2.45	2.3	2855	614	62	2.80	1.3	5125	1102	38	0.85	1.5	4451	957	38	0.95	1.6	3976	855	38	1.10	1.9	3455	743	38	1.25	2.1	3027	651	38	1.40	2.4	2665	573	38	1.60	2.8	2344	504	38	1.85	3.2	2032	437	38	2.10	3.6	1776	382	38	2.40	4.6	1418	305	38	3.05	5.4	1200	258	38	3.60	6.0	1079	232	38	4.00	7.0	925	199	38	4.65																																																																																																																																																																																																																																																																																																																																																																																																																																																																																																																																																							
0.84	7715	1659	110	2.30	GK109R79 GKF109R79 GKA109R79 GKAF109R79	4P																																																																																																																																																																																																																																																																																																																																																																																																																																																																																																																																																																																																																																																																																																																																													
1.0	6348	1365	110	2.80			0.42	15398	3311	72	0.85	GK99R59 GKF99R59 GKA99R59 GKAF99R59	4P	0.46	13993	3009	75	0.95	0.53	12124	2607	76	1.10			0.72	8957	1926	77	1.45	0.79	8171	1757	77	1.60	0.90	7166			1541	78	1.85	1.0	6241			1342	78	2.10	1.2	5474	1177	78	2.40	1.4	4767	1025	78	2.80	1.5	4181	899	78	3.20	0.81	7966	1713	62	1.00	0.89	7231	1555	62	1.10	1.0	6213	1336	62	1.30	1.2	5422	1166	62	1.50	1.3	4790	1030	62	1.65	1.5	4204	904	62	1.90	1.8	3688	793	62	2.15	2.0	3237	696	62	2.45	2.3	2855	614	62	2.80	1.3	5125	1102	38	0.85	1.5	4451	957	38	0.95	1.6	3976	855	38	1.10	1.9	3455	743	38	1.25	2.1	3027	651	38	1.40	2.4	2665	573	38	1.60	2.8	2344	504	38	1.85	3.2	2032	437	38	2.10	3.6	1776	382	38	2.40	4.6	1418	305	38	3.05	5.4	1200	258	38	3.60	6.0	1079	232	38	4.00	7.0	925	199	38	4.65																																																																																																																																																																																																																																																																																																																																																																																																																																																																																																																																																																					
0.42	15398	3311	72	0.85	GK99R59 GKF99R59 GKA99R59 GKAF99R59	4P																																																																																																																																																																																																																																																																																																																																																																																																																																																																																																																																																																																																																																																																																																																																													
0.46	13993	3009	75	0.95			0.53	12124	2607	76	1.10			0.72	8957	1926	77	1.45	0.79	8171	1757	77	1.60			0.90	7166	1541	78	1.85	1.0	6241	1342	78	2.10	1.2	5474	1177	78	2.40	1.4	4767	1025	78	2.80	1.5	4181	899	78	3.20	0.81	7966	1713	62	1.00	0.89	7231	1555	62	1.10	1.0	6213	1336	62	1.30	1.2	5422	1166	62	1.50	1.3	4790	1030	62	1.65	1.5	4204	904	62	1.90	1.8	3688	793	62	2.15	2.0	3237	696	62	2.45	2.3	2855	614	62	2.80	1.3	5125	1102	38	0.85	1.5	4451	957	38	0.95	1.6	3976	855	38	1.10	1.9	3455	743	38	1.25	2.1	3027	651	38	1.40	2.4	2665	573	38	1.60	2.8	2344	504	38	1.85	3.2	2032	437	38	2.10	3.6	1776	382	38	2.40	4.6	1418	305	38	3.05	5.4	1200	258	38	3.60	6.0	1079	232	38	4.00	7.0	925	199	38	4.65																																																																																																																																																																																																																																																																																																																																																																																																																																																																																																																																																																																			
0.53	12124	2607	76	1.10			0.72	8957	1926	77	1.45			0.79	8171	1757	77	1.60	0.90	7166	1541	78	1.85			1.0	6241	1342	78	2.10	1.2	5474	1177	78	2.40	1.4	4767	1025	78	2.80	1.5	4181	899	78	3.20	0.81	7966	1713	62	1.00	0.89	7231	1555	62	1.10	1.0	6213	1336	62	1.30	1.2	5422	1166	62	1.50	1.3	4790	1030	62	1.65	1.5	4204	904	62	1.90	1.8	3688	793	62	2.15	2.0	3237	696	62	2.45	2.3	2855	614	62	2.80	1.3	5125	1102	38	0.85	1.5	4451	957	38	0.95	1.6	3976	855	38	1.10	1.9	3455	743	38	1.25	2.1	3027	651	38	1.40	2.4	2665	573	38	1.60	2.8	2344	504	38	1.85	3.2	2032	437	38	2.10	3.6	1776	382	38	2.40	4.6	1418	305	38	3.05	5.4	1200	258	38	3.60	6.0	1079	232	38	4.00	7.0	925	199	38	4.65																																																																																																																																																																																																																																																																																																																																																																																																																																																																																																																																																																																								
0.72	8957	1926	77	1.45			0.79	8171	1757	77	1.60			0.90	7166	1541	78	1.85	1.0	6241	1342	78	2.10	1.2	5474	1177	78	2.40	1.4	4767	1025	78	2.80	1.5	4181	899	78	3.20	0.81	7966	1713	62	1.00	0.89	7231	1555	62	1.10	1.0	6213	1336	62	1.30	1.2	5422	1166	62	1.50	1.3	4790	1030	62	1.65	1.5	4204	904	62	1.90	1.8	3688	793	62	2.15	2.0	3237	696	62	2.45	2.3	2855	614	62	2.80	1.3	5125	1102	38	0.85	1.5	4451	957	38	0.95	1.6	3976	855	38	1.10	1.9	3455	743	38	1.25	2.1	3027	651	38	1.40	2.4	2665	573	38	1.60	2.8	2344	504	38	1.85	3.2	2032	437	38	2.10	3.6	1776	382	38	2.40	4.6	1418	305	38	3.05	5.4	1200	258	38	3.60	6.0	1079	232	38	4.00	7.0	925	199	38	4.65																																																																																																																																																																																																																																																																																																																																																																																																																																																																																																																																																																																															
0.79	8171	1757	77	1.60			0.90	7166	1541	78	1.85			1.0	6241	1342	78	2.10	1.2	5474	1177	78	2.40	1.4	4767	1025	78	2.80	1.5	4181	899	78	3.20	0.81	7966	1713	62	1.00	0.89	7231	1555	62	1.10	1.0	6213	1336	62	1.30	1.2	5422	1166	62	1.50	1.3	4790	1030	62	1.65	1.5	4204	904	62	1.90	1.8	3688	793	62	2.15	2.0	3237	696	62	2.45	2.3	2855	614	62	2.80	1.3	5125	1102	38	0.85	1.5	4451	957	38	0.95	1.6	3976	855	38	1.10	1.9	3455	743	38	1.25	2.1	3027	651	38	1.40	2.4	2665	573	38	1.60	2.8	2344	504	38	1.85	3.2	2032	437	38	2.10	3.6	1776	382	38	2.40	4.6	1418	305	38	3.05	5.4	1200	258	38	3.60	6.0	1079	232	38	4.00	7.0	925	199	38	4.65																																																																																																																																																																																																																																																																																																																																																																																																																																																																																																																																																																																																				
0.90	7166	1541	78	1.85			1.0	6241	1342	78	2.10	1.2	5474	1177	78	2.40	1.4	4767	1025	78	2.80	1.5	4181	899	78	3.20	0.81	7966	1713	62	1.00	0.89	7231	1555	62	1.10	1.0	6213	1336	62	1.30	1.2	5422	1166	62	1.50	1.3	4790	1030	62	1.65	1.5	4204	904	62	1.90	1.8	3688	793	62	2.15	2.0	3237	696	62	2.45	2.3	2855	614	62	2.80	1.3	5125	1102	38	0.85	1.5	4451	957	38	0.95	1.6	3976	855	38	1.10	1.9	3455	743	38	1.25	2.1	3027	651	38	1.40	2.4	2665	573	38	1.60	2.8	2344	504	38	1.85	3.2	2032	437	38	2.10	3.6	1776	382	38	2.40	4.6	1418	305	38	3.05	5.4	1200	258	38	3.60	6.0	1079	232	38	4.00	7.0	925	199	38	4.65																																																																																																																																																																																																																																																																																																																																																																																																																																																																																																																																																																																																											
1.0	6241	1342	78	2.10	1.2	5474	1177	78	2.40	1.4	4767	1025	78	2.80	1.5	4181	899	78	3.20	0.81	7966	1713	62	1.00	0.89	7231	1555	62	1.10	1.0	6213	1336	62	1.30	1.2	5422	1166	62	1.50	1.3	4790	1030	62	1.65	1.5	4204	904	62	1.90	1.8	3688	793	62	2.15	2.0	3237	696	62	2.45	2.3	2855	614	62	2.80	1.3	5125	1102	38	0.85	1.5	4451	957	38	0.95	1.6	3976	855	38	1.10	1.9	3455	743	38	1.25	2.1	3027	651	38	1.40	2.4	2665	573	38	1.60	2.8	2344	504	38	1.85	3.2	2032	437	38	2.10	3.6	1776	382	38	2.40	4.6	1418	305	38	3.05	5.4	1200	258	38	3.60	6.0	1079	232	38	4.00	7.0	925	199	38	4.65																																																																																																																																																																																																																																																																																																																																																																																																																																																																																																																																																																																																																		
1.2	5474	1177	78	2.40	1.4	4767	1025	78	2.80	1.5	4181	899	78	3.20	0.81	7966	1713	62	1.00	0.89	7231	1555	62	1.10	1.0	6213	1336	62	1.30	1.2	5422	1166	62	1.50	1.3	4790	1030	62	1.65	1.5	4204	904	62	1.90	1.8	3688	793	62	2.15	2.0	3237	696	62	2.45	2.3	2855	614	62	2.80	1.3	5125	1102	38	0.85	1.5	4451	957	38	0.95	1.6	3976	855	38	1.10	1.9	3455	743	38	1.25	2.1	3027	651	38	1.40	2.4	2665	573	38	1.60	2.8	2344	504	38	1.85	3.2	2032	437	38	2.10	3.6	1776	382	38	2.40	4.6	1418	305	38	3.05	5.4	1200	258	38	3.60	6.0	1079	232	38	4.00	7.0	925	199	38	4.65																																																																																																																																																																																																																																																																																																																																																																																																																																																																																																																																																																																																																							
1.4	4767	1025	78	2.80	1.5	4181	899	78	3.20	0.81	7966	1713	62	1.00	0.89	7231	1555	62	1.10	1.0	6213	1336	62	1.30	1.2	5422	1166	62	1.50	1.3	4790	1030	62	1.65	1.5	4204	904	62	1.90	1.8	3688	793	62	2.15	2.0	3237	696	62	2.45	2.3	2855	614	62	2.80	1.3	5125	1102	38	0.85	1.5	4451	957	38	0.95	1.6	3976	855	38	1.10	1.9	3455	743	38	1.25	2.1	3027	651	38	1.40	2.4	2665	573	38	1.60	2.8	2344	504	38	1.85	3.2	2032	437	38	2.10	3.6	1776	382	38	2.40	4.6	1418	305	38	3.05	5.4	1200	258	38	3.60	6.0	1079	232	38	4.00	7.0	925	199	38	4.65																																																																																																																																																																																																																																																																																																																																																																																																																																																																																																																																																																																																																												
1.5	4181	899	78	3.20	0.81	7966	1713	62	1.00	0.89	7231	1555	62	1.10	1.0	6213	1336	62	1.30	1.2	5422	1166	62	1.50	1.3	4790	1030	62	1.65	1.5	4204	904	62	1.90	1.8	3688	793	62	2.15	2.0	3237	696	62	2.45	2.3	2855	614	62	2.80	1.3	5125	1102	38	0.85	1.5	4451	957	38	0.95	1.6	3976	855	38	1.10	1.9	3455	743	38	1.25	2.1	3027	651	38	1.40	2.4	2665	573	38	1.60	2.8	2344	504	38	1.85	3.2	2032	437	38	2.10	3.6	1776	382	38	2.40	4.6	1418	305	38	3.05	5.4	1200	258	38	3.60	6.0	1079	232	38	4.00	7.0	925	199	38	4.65																																																																																																																																																																																																																																																																																																																																																																																																																																																																																																																																																																																																																																	
0.81	7966	1713	62	1.00	0.89	7231	1555	62	1.10	1.0	6213	1336	62	1.30	1.2	5422	1166	62	1.50	1.3	4790	1030	62	1.65	1.5	4204	904	62	1.90	1.8	3688	793	62	2.15	2.0	3237	696	62	2.45	2.3	2855	614	62	2.80	1.3	5125	1102	38	0.85	1.5	4451	957	38	0.95	1.6	3976	855	38	1.10	1.9	3455	743	38	1.25	2.1	3027	651	38	1.40	2.4	2665	573	38	1.60	2.8	2344	504	38	1.85	3.2	2032	437	38	2.10	3.6	1776	382	38	2.40	4.6	1418	305	38	3.05	5.4	1200	258	38	3.60	6.0	1079	232	38	4.00	7.0	925	199	38	4.65																																																																																																																																																																																																																																																																																																																																																																																																																																																																																																																																																																																																																																						
0.89	7231	1555	62	1.10	1.0	6213	1336	62	1.30	1.2	5422	1166	62	1.50	1.3	4790	1030	62	1.65	1.5	4204	904	62	1.90	1.8	3688	793	62	2.15	2.0	3237	696	62	2.45	2.3	2855	614	62	2.80	1.3	5125	1102	38	0.85	1.5	4451	957	38	0.95	1.6	3976	855	38	1.10	1.9	3455	743	38	1.25	2.1	3027	651	38	1.40	2.4	2665	573	38	1.60	2.8	2344	504	38	1.85	3.2	2032	437	38	2.10	3.6	1776	382	38	2.40	4.6	1418	305	38	3.05	5.4	1200	258	38	3.60	6.0	1079	232	38	4.00	7.0	925	199	38	4.65																																																																																																																																																																																																																																																																																																																																																																																																																																																																																																																																																																																																																																											
1.0	6213	1336	62	1.30	1.2	5422	1166	62	1.50	1.3	4790	1030	62	1.65	1.5	4204	904	62	1.90	1.8	3688	793	62	2.15	2.0	3237	696	62	2.45	2.3	2855	614	62	2.80	1.3	5125	1102	38	0.85	1.5	4451	957	38	0.95	1.6	3976	855	38	1.10	1.9	3455	743	38	1.25	2.1	3027	651	38	1.40	2.4	2665	573	38	1.60	2.8	2344	504	38	1.85	3.2	2032	437	38	2.10	3.6	1776	382	38	2.40	4.6	1418	305	38	3.05	5.4	1200	258	38	3.60	6.0	1079	232	38	4.00	7.0	925	199	38	4.65																																																																																																																																																																																																																																																																																																																																																																																																																																																																																																																																																																																																																																																
1.2	5422	1166	62	1.50	1.3	4790	1030	62	1.65	1.5	4204	904	62	1.90	1.8	3688	793	62	2.15	2.0	3237	696	62	2.45	2.3	2855	614	62	2.80	1.3	5125	1102	38	0.85	1.5	4451	957	38	0.95	1.6	3976	855	38	1.10	1.9	3455	743	38	1.25	2.1	3027	651	38	1.40	2.4	2665	573	38	1.60	2.8	2344	504	38	1.85	3.2	2032	437	38	2.10	3.6	1776	382	38	2.40	4.6	1418	305	38	3.05	5.4	1200	258	38	3.60	6.0	1079	232	38	4.00	7.0	925	199	38	4.65																																																																																																																																																																																																																																																																																																																																																																																																																																																																																																																																																																																																																																																					
1.3	4790	1030	62	1.65	1.5	4204	904	62	1.90	1.8	3688	793	62	2.15	2.0	3237	696	62	2.45	2.3	2855	614	62	2.80	1.3	5125	1102	38	0.85	1.5	4451	957	38	0.95	1.6	3976	855	38	1.10	1.9	3455	743	38	1.25	2.1	3027	651	38	1.40	2.4	2665	573	38	1.60	2.8	2344	504	38	1.85	3.2	2032	437	38	2.10	3.6	1776	382	38	2.40	4.6	1418	305	38	3.05	5.4	1200	258	38	3.60	6.0	1079	232	38	4.00	7.0	925	199	38	4.65																																																																																																																																																																																																																																																																																																																																																																																																																																																																																																																																																																																																																																																										
1.5	4204	904	62	1.90	1.8	3688	793	62	2.15	2.0	3237	696	62	2.45	2.3	2855	614	62	2.80	1.3	5125	1102	38	0.85	1.5	4451	957	38	0.95	1.6	3976	855	38	1.10	1.9	3455	743	38	1.25	2.1	3027	651	38	1.40	2.4	2665	573	38	1.60	2.8	2344	504	38	1.85	3.2	2032	437	38	2.10	3.6	1776	382	38	2.40	4.6	1418	305	38	3.05	5.4	1200	258	38	3.60	6.0	1079	232	38	4.00	7.0	925	199	38	4.65																																																																																																																																																																																																																																																																																																																																																																																																																																																																																																																																																																																																																																																															
1.8	3688	793	62	2.15	2.0	3237	696	62	2.45	2.3	2855	614	62	2.80	1.3	5125	1102	38	0.85	1.5	4451	957	38	0.95	1.6	3976	855	38	1.10	1.9	3455	743	38	1.25	2.1	3027	651	38	1.40	2.4	2665	573	38	1.60	2.8	2344	504	38	1.85	3.2	2032	437	38	2.10	3.6	1776	382	38	2.40	4.6	1418	305	38	3.05	5.4	1200	258	38	3.60	6.0	1079	232	38	4.00	7.0	925	199	38	4.65																																																																																																																																																																																																																																																																																																																																																																																																																																																																																																																																																																																																																																																																				
2.0	3237	696	62	2.45	2.3	2855	614	62	2.80	1.3	5125	1102	38	0.85	1.5	4451	957	38	0.95	1.6	3976	855	38	1.10	1.9	3455	743	38	1.25	2.1	3027	651	38	1.40	2.4	2665	573	38	1.60	2.8	2344	504	38	1.85	3.2	2032	437	38	2.10	3.6	1776	382	38	2.40	4.6	1418	305	38	3.05	5.4	1200	258	38	3.60	6.0	1079	232	38	4.00	7.0	925	199	38	4.65																																																																																																																																																																																																																																																																																																																																																																																																																																																																																																																																																																																																																																																																									
2.3	2855	614	62	2.80	1.3	5125	1102	38	0.85	1.5	4451	957	38	0.95	1.6	3976	855	38	1.10	1.9	3455	743	38	1.25	2.1	3027	651	38	1.40	2.4	2665	573	38	1.60	2.8	2344	504	38	1.85	3.2	2032	437	38	2.10	3.6	1776	382	38	2.40	4.6	1418	305	38	3.05	5.4	1200	258	38	3.60	6.0	1079	232	38	4.00	7.0	925	199	38	4.65																																																																																																																																																																																																																																																																																																																																																																																																																																																																																																																																																																																																																																																																														
1.3	5125	1102	38	0.85	1.5	4451	957	38	0.95	1.6	3976	855	38	1.10	1.9	3455	743	38	1.25	2.1	3027	651	38	1.40	2.4	2665	573	38	1.60	2.8	2344	504	38	1.85	3.2	2032	437	38	2.10	3.6	1776	382	38	2.40	4.6	1418	305	38	3.05	5.4	1200	258	38	3.60	6.0	1079	232	38	4.00	7.0	925	199	38	4.65																																																																																																																																																																																																																																																																																																																																																																																																																																																																																																																																																																																																																																																																																			
1.5	4451	957	38	0.95	1.6	3976	855	38	1.10	1.9	3455	743	38	1.25	2.1	3027	651	38	1.40	2.4	2665	573	38	1.60	2.8	2344	504	38	1.85	3.2	2032	437	38	2.10	3.6	1776	382	38	2.40	4.6	1418	305	38	3.05	5.4	1200	258	38	3.60	6.0	1079	232	38	4.00	7.0	925	199	38	4.65																																																																																																																																																																																																																																																																																																																																																																																																																																																																																																																																																																																																																																																																																								
1.6	3976	855	38	1.10	1.9	3455	743	38	1.25	2.1	3027	651	38	1.40	2.4	2665	573	38	1.60	2.8	2344	504	38	1.85	3.2	2032	437	38	2.10	3.6	1776	382	38	2.40	4.6	1418	305	38	3.05	5.4	1200	258	38	3.60	6.0	1079	232	38	4.00	7.0	925	199	38	4.65																																																																																																																																																																																																																																																																																																																																																																																																																																																																																																																																																																																																																																																																																													
1.9	3455	743	38	1.25	2.1	3027	651	38	1.40	2.4	2665	573	38	1.60	2.8	2344	504	38	1.85	3.2	2032	437	38	2.10	3.6	1776	382	38	2.40	4.6	1418	305	38	3.05	5.4	1200	258	38	3.60	6.0	1079	232	38	4.00	7.0	925	199	38	4.65																																																																																																																																																																																																																																																																																																																																																																																																																																																																																																																																																																																																																																																																																																		
2.1	3027	651	38	1.40	2.4	2665	573	38	1.60	2.8	2344	504	38	1.85	3.2	2032	437	38	2.10	3.6	1776	382	38	2.40	4.6	1418	305	38	3.05	5.4	1200	258	38	3.60	6.0	1079	232	38	4.00	7.0	925	199	38	4.65																																																																																																																																																																																																																																																																																																																																																																																																																																																																																																																																																																																																																																																																																																							
2.4	2665	573	38	1.60	2.8	2344	504	38	1.85	3.2	2032	437	38	2.10	3.6	1776	382	38	2.40	4.6	1418	305	38	3.05	5.4	1200	258	38	3.60	6.0	1079	232	38	4.00	7.0	925	199	38	4.65																																																																																																																																																																																																																																																																																																																																																																																																																																																																																																																																																																																																																																																																																																												
2.8	2344	504	38	1.85	3.2	2032	437	38	2.10	3.6	1776	382	38	2.40	4.6	1418	305	38	3.05	5.4	1200	258	38	3.60	6.0	1079	232	38	4.00	7.0	925	199	38	4.65																																																																																																																																																																																																																																																																																																																																																																																																																																																																																																																																																																																																																																																																																																																	
3.2	2032	437	38	2.10	3.6	1776	382	38	2.40	4.6	1418	305	38	3.05	5.4	1200	258	38	3.60	6.0	1079	232	38	4.00	7.0	925	199	38	4.65																																																																																																																																																																																																																																																																																																																																																																																																																																																																																																																																																																																																																																																																																																																						
3.6	1776	382	38	2.40	4.6	1418	305	38	3.05	5.4	1200	258	38	3.60	6.0	1079	232	38	4.00	7.0	925	199	38	4.65																																																																																																																																																																																																																																																																																																																																																																																																																																																																																																																																																																																																																																																																																																																											
4.6	1418	305	38	3.05	5.4	1200	258	38	3.60	6.0	1079	232	38	4.00	7.0	925	199	38	4.65																																																																																																																																																																																																																																																																																																																																																																																																																																																																																																																																																																																																																																																																																																																																
5.4	1200	258	38	3.60	6.0	1079	232	38	4.00	7.0	925	199	38	4.65																																																																																																																																																																																																																																																																																																																																																																																																																																																																																																																																																																																																																																																																																																																																					
6.0	1079	232	38	4.00	7.0	925	199	38	4.65																																																																																																																																																																																																																																																																																																																																																																																																																																																																																																																																																																																																																																																																																																																																										
7.0	925	199	38	4.65																																																																																																																																																																																																																																																																																																																																																																																																																																																																																																																																																																																																																																																																																																																																															

选型参数表
(恒功率) 0.75kW-1.1kW
Selection Table
(Constant Power) 0.75kW-1.1kW

n_a [r/min]	M_a [Nm]	i	F_{Ra} [kN]	f_B	机型号 Type size	极数 Pole	n_a [r/min]	M_a [Nm]	i	F_{Ra} [kN]	f_B	机型号 Type size	极数 Pole
0.75kW							0.75kW						
1.9	3376	726	25	0.80			18	368	75.20	5.8	1.00	GK49	
2.2	2967	638	26	0.90			20	342	69.84	6.1	1.10	GKF49	4P
2.5	2614	562	26	1.05			22	310	63.30	6.5	1.20	GKA49	
2.9	2204	474	27	1.25								GKAF49	
3.3	1981	426	27	1.35	GK89R59		24	278	56.83	6.8	1.35		
3.7	1735	373	27	1.55	GKF89R59	4P	28	240	48.95	7.1	1.55	GK49	
4.2	1535	330	27	1.75	GKA89R59		30	225	46.04	7.2	1.65	GKF49	4P
4.7	1363	293	27	2.00	GKAF89R59		35	194	39.61	7.4	1.95	GKA49	
5.6	1163	250	27	2.30			39	173	35.39	7.4	2.20	GKAF49	
5.9	1098	236	27	2.45			44	153	31.30	7.2	2.50		
6.9	935	201	27	2.90			31	218	44.46	4.0	0.85		
3.8	1702	366	13	0.90	GK79R39		37	186	37.97	3.9	1.00		
4.3	1516	326	15	1.00	GKF79R39	4P	39	174	35.57	3.9	1.10		
4.8	1344	289	16	1.15	GKA79R39		46	147	29.96	3.9	1.30		
5.5	1167	251	17	1.30	GKAF79R39		48	141	28.83	3.9	1.35		
6.3	1023	220	17	1.50			56	122	24.99	3.8	1.55		
3.9	1736	176.05	38	2.30	GK99		60	114	23.36	3.8	1.60		
4.5	1511	153.21	38	2.70	GKF99	8P	69	99	20.19	3.7	1.75	GK39	
4.9	1383	140.28	38	3.00	GKA99		81	84	17.15	3.6	2.00	GKF39	4P
					GKAF99		91	75	15.32	3.5	2.20	GKA39	
4.7	1453	147.33	27	1.75	GK89		106	64	13.08	3.4	2.40	GKAF39	
5.4	1252	126.91	27	2.00	GKF89	8P	114	59	12.14	3.3	2.50		
6.0	1142	115.82	27	2.20	GKA89		133	51	10.49	3.2	2.90		
6.7	1013	102.71	27	2.50	GKAF89		156	44	8.91	3.1	3.50		
5.2	1302	174.19	27	1.95	GK89		175	39	7.96	3.0	3.80		
5.5	1229	164.34	27	2.10	GKF89	6P	204	33	6.80	2.9	4.20		
6.2	1102	147.33	27	2.30	GKA89		218	31	6.37	2.8	4.40		
7.2	949	126.91	27	2.70	GKAF89		259	26	5.36	2.7	5.00		
7.0	966	197.37	27	2.60	GK89		1.1kW						
8.0	853	174.19	27	3.00	GKF89	4P	0.15	63406	9363	154	0.80		
8.5	804	164.34	27	3.20	GKA89		0.17	55029	8126	167	0.95		
9.4	721	147.33	27	3.50	GKAF89		0.19	49727	7343	171	1.05		
6.8	1007	134.74	17	1.45	GK79		0.21	45691	6747	171	1.15	GK189R99	4P
7.1	957	128.00	17	1.50	GKF79	6P	0.23	40571	5991	171	1.30	GKA189R99	
8.0	846	113.10	18	1.70	GKA79		0.26	36284	5358	171	1.45		
9.4	723	96.66	18	2.00	GKAF79		0.29	32621	4817	171	1.60		
10	663	88.61	18	2.20			0.32	29594	4370	171	1.75		
9.1	751	153.40	18	1.95	GK79		0.26	36264	5355	135	0.90		
10	660	134.74	18	2.20	GKF79	4P	0.29	32424	4788	135	1.05	GK169R99	4P
11	627	128.00	18	2.30	GKA79		0.34	27623	4079	135	1.20	GKA169R99	
12	554	113.10	19	2.60	GKAF79		0.41	22862	3376	135	1.45		
14	473	96.66	19	3.10			0.51	18657	2755	135	1.80		
11	605	123.54	11	1.30	GK69		0.64	14776	2182	135	2.20		
13	529	108.03	11	1.45	GKF69	4P	0.82	11539	1704	135	2.80	GK169R99	4P
15	441	90.04	12	1.75	GKA69		0.99	9535	1408	135	3.40	GKA169R99	
					GKAF69		1.08	8776	1296	135	3.70		
18	374	76.37	12	2.10	GK69		0.40	23973	3540	104	0.75	GK159R99	
20	338	68.95	12	2.30	GKF69	4P	0.46	20661	3051	106	0.85	GKF159R99	4P
23	297	60.66	12	2.60	GKA69		0.54	17675	2610	107	1.00	GKA159R99	
24	280	57.28	12	2.80	GKAF69		0.60	15731	2323	108	1.15	GKAF159R99	
11	606	123.85	6.8	0.95			0.84	11235	1659	109	1.60		
13	530	108.29	7.5	1.05			1.0	9244	1365	110	1.95	GK159R99	
14	504	102.88	7.8	1.10			1.1	8323	1229	110	2.15	GKF159R99	4P
15	442	90.26	8.1	1.30	GK59		1.3	7402	1093	110	2.40	GKA159R99	
18	375	76.56	8.4	1.50	GKF59	4P	1.5	6379	942	110	2.75	GKAF159R99	
20	338	69.12	8.6	1.65	GKA59		1.6	5776	853	110	3.05		
23	298	60.81	8.8	1.90	GKAF59		0.73	13043	1926	75	1.00	GK129R79	
24	281	57.42	8.8	2.00			0.80	11898	1757	76	1.10	GKF129R79	4P
28	239	48.89	9.0	2.40			0.91	10436	1541	76	1.25	GKA129R79	
31	217	44.43	9.1	2.60			1.0	9088	1342	77	1.45	GKAF129R79	

GK 系列斜齿轮-锥齿轮减速电机

选型参数表

(恒功率) 1.1kW

Selection Table

(Constant Power) 1.1kW

n_a [r/min]	M_a [Nm]	i	F_{Ra} [kN]	f_B	机型号 Type size	极数 Pole	n_a [r/min]	M_a [Nm]	i	F_{Ra} [kN]	f_B	机型号 Type size	极数 Pole																																																																																																																																																																																																																																																																																																														
1.1kW							1.1kW																																																																																																																																																																																																																																																																																																																				
1.2	7971	1177	77	1.65	GK129R79 GKF129R79 GKA129R79 GKAF129R79	4P	10	960	134.74	17	1.55	GK79 GKF79 GKA79 GKAF79	4P																																																																																																																																																																																																																																																																																																														
1.4	6941	1025	78	1.90			1.6	6088	899	78	2.20			1.8	5350	790	78	2.45	2.0	4767	704	78	2.75	2.3	4131	610	78	3.20	2.6	3718	549	78	3.50	2.9	3230	477	78	4.05	12	806	113.10	18	1.80	14	689	96.66	18	2.10	GK109R79 GKF109R79 GKA109R79 GKAF109R79	4P	16	632	88.61	18	2.30	18	554	77.76	19	2.70	19	525	73.69	19	2.80	13	770	108.03	10	1.00	14	732	102.62	10	1.05	16	642	90.04	11	1.20	18	544	76.37	11	1.45	20	492	68.95	12	1.60	23	432	60.66	12	1.80	24	408	57.28	12	1.90	29	348	48.77	12	2.20	32	316	44.32	12	2.50	36	274	38.39	12	2.80	16	643	90.26	2.3	0.90	18	546	76.56	7.4	1.05	20	493	69.12	7.9	1.15	23	433	60.81	8.2	1.30	24	409	57.42	8.3	1.40	29	349	48.89	8.6	1.65	32	317	44.43	8.7	1.80	36	274	38.49	8.9	2.10	39	254	35.70	8.9	2.20	46	216	30.28	9.1	2.60	51	195	27.34	9.0	2.90	58	171	24.05	8.8	3.30	62	162	22.71	8.6	3.50	72	138	19.34	8.3	4.00	80	125	17.57	8.1	4.20	92	108	15.22	7.8	4.70	106	94	13.25	7.5	5.10	117	85	11.92	7.2	4.60	124	80	11.26	7.1	4.90	146	68	9.59	6.8	5.60	161	62	8.71	6.6	6.00	185	54	7.55	6.3	6.40	213	47	6.57	6.1	7.00	25	405	56.83	3.1	0.95	29	349	48.95	6.0	1.10	30	328	46.04	6.3	1.15	35	282	39.61	6.7	1.35	40	252	35.39	6.7	1.50	45	223	31.30	6.6	1.70	48	209	29.32	6.5	1.80	54	185	25.91	6.4	2.10	64	155	21.81	6.2	2.40	72	140	19.58	6.0	2.70	47	214	29.96	3.2	0.90	56	178	24.99	3.3	1.05	60	167	23.36	3.3	1.10	69	144	20.19	3.2	1.20	82	122	17.15	3.2	1.40	91	109	15.32	3.2	1.50	107	93	13.08	3.1	1.70
1.6	6088	899	78	2.20			1.8	5350	790	78	2.45			2.0	4767	704	78	2.75	2.3	4131	610	78	3.20	2.6	3718	549	78	3.50	2.9	3230	477	78	4.05	12	806	113.10	18	1.80	14	689	96.66	18	2.10	GK109R79 GKF109R79 GKA109R79 GKAF109R79	4P	16	632	88.61			18	2.30	18	554	77.76	19	2.70	19	525	73.69	19	2.80	13	770	108.03	10	1.00	14	732	102.62	10	1.05	16	642	90.04	11	1.20	18	544	76.37	11	1.45	20	492	68.95	12	1.60	23	432	60.66	12	1.80	24	408	57.28	12	1.90	29	348	48.77	12	2.20	32	316	44.32	12	2.50	36	274	38.39	12	2.80	16	643	90.26	2.3	0.90	18	546	76.56	7.4	1.05	20	493	69.12	7.9	1.15	23	433	60.81	8.2	1.30	24	409	57.42	8.3	1.40	29	349	48.89	8.6	1.65	32	317	44.43	8.7	1.80	36	274	38.49	8.9	2.10	39	254	35.70	8.9	2.20	46	216	30.28	9.1	2.60	51	195	27.34	9.0	2.90	58	171	24.05	8.8	3.30	62	162	22.71	8.6	3.50	72	138	19.34	8.3	4.00	80	125	17.57	8.1	4.20	92	108	15.22	7.8	4.70	106	94	13.25	7.5	5.10	117	85	11.92	7.2	4.60	124	80	11.26	7.1	4.90	146	68	9.59	6.8	5.60	161	62	8.71	6.6	6.00	185	54	7.55	6.3	6.40	213	47	6.57	6.1	7.00	25	405	56.83	3.1	0.95	29	349	48.95	6.0	1.10	30	328	46.04	6.3	1.15	35	282	39.61	6.7	1.35	40	252	35.39	6.7	1.50	45	223	31.30	6.6	1.70	48	209	29.32	6.5	1.80	54	185	25.91	6.4	2.10	64	155	21.81	6.2	2.40	72	140	19.58	6.0	2.70	47	214	29.96	3.2	0.90	56	178	24.99	3.3	1.05	60	167	23.36	3.3	1.10	69	144	20.19	3.2	1.20	82	122	17.15	3.2	1.40	91	109	15.32	3.2	1.50	107	93	13.08	3.1	1.70			
1.8	5350	790	78	2.45			2.0	4767	704	78	2.75	2.3	4131	610	78	3.20	2.6	3718	549	78	3.50	2.9	3230	477	78	4.05	12	806	113.10	18	1.80	14	689	96.66	18	2.10	GK109R79 GKF109R79 GKA109R79 GKAF109R79	4P	16	632	88.61	18	2.30			18	554	77.76			19	2.70	19	525	73.69	19	2.80	13	770	108.03	10	1.00	14	732	102.62	10	1.05	16	642	90.04	11	1.20	18	544	76.37	11	1.45	20	492	68.95	12	1.60	23	432	60.66	12	1.80	24	408	57.28	12	1.90	29	348	48.77	12	2.20	32	316	44.32	12	2.50	36	274	38.39	12	2.80	16	643	90.26	2.3	0.90	18	546	76.56	7.4	1.05	20	493	69.12	7.9	1.15	23	433	60.81	8.2	1.30	24	409	57.42	8.3	1.40	29	349	48.89	8.6	1.65	32	317	44.43	8.7	1.80	36	274	38.49	8.9	2.10	39	254	35.70	8.9	2.20	46	216	30.28	9.1	2.60	51	195	27.34	9.0	2.90	58	171	24.05	8.8	3.30	62	162	22.71	8.6	3.50	72	138	19.34	8.3	4.00	80	125	17.57	8.1	4.20	92	108	15.22	7.8	4.70	106	94	13.25	7.5	5.10	117	85	11.92	7.2	4.60	124	80	11.26	7.1	4.90	146	68	9.59	6.8	5.60	161	62	8.71	6.6	6.00	185	54	7.55	6.3	6.40	213	47	6.57	6.1	7.00	25	405	56.83	3.1	0.95	29	349	48.95	6.0	1.10	30	328	46.04	6.3	1.15	35	282	39.61	6.7	1.35	40	252	35.39	6.7	1.50	45	223	31.30	6.6	1.70	48	209	29.32	6.5	1.80	54	185	25.91	6.4	2.10	64	155	21.81	6.2	2.40	72	140	19.58	6.0	2.70	47	214	29.96	3.2	0.90	56	178	24.99	3.3	1.05	60	167	23.36	3.3	1.10	69	144	20.19	3.2	1.20	82	122	17.15	3.2	1.40	91	109	15.32	3.2	1.50	107	93	13.08	3.1	1.70								
2.0	4767	704	78	2.75			2.3	4131	610	78	3.20	2.6	3718	549	78	3.50	2.9	3230	477	78	4.05	12	806	113.10	18	1.80	14	689	96.66	18	2.10	GK109R79 GKF109R79 GKA109R79 GKAF109R79	4P	16	632	88.61			18	2.30	18	554	77.76			19	2.70	19			525	73.69	19	2.80	13	770	108.03	10	1.00	14	732	102.62	10	1.05	16	642	90.04	11	1.20	18	544	76.37	11	1.45	20	492	68.95	12	1.60	23	432	60.66	12	1.80	24	408	57.28	12	1.90	29	348	48.77	12	2.20	32	316	44.32	12	2.50	36	274	38.39	12	2.80	16	643	90.26	2.3	0.90	18	546	76.56	7.4	1.05	20	493	69.12	7.9	1.15	23	433	60.81	8.2	1.30	24	409	57.42	8.3	1.40	29	349	48.89	8.6	1.65	32	317	44.43	8.7	1.80	36	274	38.49	8.9	2.10	39	254	35.70	8.9	2.20	46	216	30.28	9.1	2.60	51	195	27.34	9.0	2.90	58	171	24.05	8.8	3.30	62	162	22.71	8.6	3.50	72	138	19.34	8.3	4.00	80	125	17.57	8.1	4.20	92	108	15.22	7.8	4.70	106	94	13.25	7.5	5.10	117	85	11.92	7.2	4.60	124	80	11.26	7.1	4.90	146	68	9.59	6.8	5.60	161	62	8.71	6.6	6.00	185	54	7.55	6.3	6.40	213	47	6.57	6.1	7.00	25	405	56.83	3.1	0.95	29	349	48.95	6.0	1.10	30	328	46.04	6.3	1.15	35	282	39.61	6.7	1.35	40	252	35.39	6.7	1.50	45	223	31.30	6.6	1.70	48	209	29.32	6.5	1.80	54	185	25.91	6.4	2.10	64	155	21.81	6.2	2.40	72	140	19.58	6.0	2.70	47	214	29.96	3.2	0.90	56	178	24.99	3.3	1.05	60	167	23.36	3.3	1.10	69	144	20.19	3.2	1.20	82	122	17.15	3.2	1.40	91	109	15.32	3.2	1.50	107	93	13.08	3.1	1.70											
2.3	4131	610	78	3.20			2.6	3718	549	78	3.50	2.9	3230	477	78	4.05	12	806	113.10	18	1.80	14	689	96.66	18	2.10	GK109R79 GKF109R79 GKA109R79 GKAF109R79	4P	16	632	88.61			18	2.30	18			554	77.76	19	2.70	19			525	73.69	19			2.80	13	770	108.03	10	1.00	14	732	102.62	10	1.05	16	642	90.04	11	1.20	18	544	76.37	11	1.45	20	492	68.95	12	1.60	23	432	60.66	12	1.80	24	408	57.28	12	1.90	29	348	48.77	12	2.20	32	316	44.32	12	2.50	36	274	38.39	12	2.80	16	643	90.26	2.3	0.90	18	546	76.56	7.4	1.05	20	493	69.12	7.9	1.15	23	433	60.81	8.2	1.30	24	409	57.42	8.3	1.40	29	349	48.89	8.6	1.65	32	317	44.43	8.7	1.80	36	274	38.49	8.9	2.10	39	254	35.70	8.9	2.20	46	216	30.28	9.1	2.60	51	195	27.34	9.0	2.90	58	171	24.05	8.8	3.30	62	162	22.71	8.6	3.50	72	138	19.34	8.3	4.00	80	125	17.57	8.1	4.20	92	108	15.22	7.8	4.70	106	94	13.25	7.5	5.10	117	85	11.92	7.2	4.60	124	80	11.26	7.1	4.90	146	68	9.59	6.8	5.60	161	62	8.71	6.6	6.00	185	54	7.55	6.3	6.40	213	47	6.57	6.1	7.00	25	405	56.83	3.1	0.95	29	349	48.95	6.0	1.10	30	328	46.04	6.3	1.15	35	282	39.61	6.7	1.35	40	252	35.39	6.7	1.50	45	223	31.30	6.6	1.70	48	209	29.32	6.5	1.80	54	185	25.91	6.4	2.10	64	155	21.81	6.2	2.40	72	140	19.58	6.0	2.70	47	214	29.96	3.2	0.90	56	178	24.99	3.3	1.05	60	167	23.36	3.3	1.10	69	144	20.19	3.2	1.20	82	122	17.15	3.2	1.40	91	109	15.32	3.2	1.50	107	93	13.08	3.1	1.70														
2.6	3718	549	78	3.50			2.9	3230	477	78	4.05	12	806	113.10	18	1.80	14	689	96.66	18	2.10	GK109R79 GKF109R79 GKA109R79 GKAF109R79	4P	16	632	88.61			18	2.30	18			554	77.76	19			2.70	19	525	73.69	19			2.80	13	770			108.03	10	1.00	14	732	102.62	10	1.05	16	642	90.04	11	1.20	18	544	76.37	11	1.45	20	492	68.95	12	1.60	23	432	60.66	12	1.80	24	408	57.28	12	1.90	29	348	48.77	12	2.20	32	316	44.32	12	2.50	36	274	38.39	12	2.80	16	643	90.26	2.3	0.90	18	546	76.56	7.4	1.05	20	493	69.12	7.9	1.15	23	433	60.81	8.2	1.30	24	409	57.42	8.3	1.40	29	349	48.89	8.6	1.65	32	317	44.43	8.7	1.80	36	274	38.49	8.9	2.10	39	254	35.70	8.9	2.20	46	216	30.28	9.1	2.60	51	195	27.34	9.0	2.90	58	171	24.05	8.8	3.30	62	162	22.71	8.6	3.50	72	138	19.34	8.3	4.00	80	125	17.57	8.1	4.20	92	108	15.22	7.8	4.70	106	94	13.25	7.5	5.10	117	85	11.92	7.2	4.60	124	80	11.26	7.1	4.90	146	68	9.59	6.8	5.60	161	62	8.71	6.6	6.00	185	54	7.55	6.3	6.40	213	47	6.57	6.1	7.00	25	405	56.83	3.1	0.95	29	349	48.95	6.0	1.10	30	328	46.04	6.3	1.15	35	282	39.61	6.7	1.35	40	252	35.39	6.7	1.50	45	223	31.30	6.6	1.70	48	209	29.32	6.5	1.80	54	185	25.91	6.4	2.10	64	155	21.81	6.2	2.40	72	140	19.58	6.0	2.70	47	214	29.96	3.2	0.90	56	178	24.99	3.3	1.05	60	167	23.36	3.3	1.10	69	144	20.19	3.2	1.20	82	122	17.15	3.2	1.40	91	109	15.32	3.2	1.50	107	93	13.08	3.1	1.70																	
2.9	3230	477	78	4.05			12	806	113.10	18	1.80	14	689	96.66	18	2.10	GK109R79 GKF109R79 GKA109R79 GKAF109R79	4P	16	632	88.61			18	2.30	18			554	77.76	19			2.70	19	525			73.69	19	2.80	13	770			108.03	10	1.00			14	732	102.62	10	1.05	16	642	90.04	11	1.20	18	544	76.37	11	1.45	20	492	68.95	12	1.60	23	432	60.66	12	1.80	24	408	57.28	12	1.90	29	348	48.77	12	2.20	32	316	44.32	12	2.50	36	274	38.39	12	2.80	16	643	90.26	2.3	0.90	18	546	76.56	7.4	1.05	20	493	69.12	7.9	1.15	23	433	60.81	8.2	1.30	24	409	57.42	8.3	1.40	29	349	48.89	8.6	1.65	32	317	44.43	8.7	1.80	36	274	38.49	8.9	2.10	39	254	35.70	8.9	2.20	46	216	30.28	9.1	2.60	51	195	27.34	9.0	2.90	58	171	24.05	8.8	3.30	62	162	22.71	8.6	3.50	72	138	19.34	8.3	4.00	80	125	17.57	8.1	4.20	92	108	15.22	7.8	4.70	106	94	13.25	7.5	5.10	117	85	11.92	7.2	4.60	124	80	11.26	7.1	4.90	146	68	9.59	6.8	5.60	161	62	8.71	6.6	6.00	185	54	7.55	6.3	6.40	213	47	6.57	6.1	7.00	25	405	56.83	3.1	0.95	29	349	48.95	6.0	1.10	30	328	46.04	6.3	1.15	35	282	39.61	6.7	1.35	40	252	35.39	6.7	1.50	45	223	31.30	6.6	1.70	48	209	29.32	6.5	1.80	54	185	25.91	6.4	2.10	64	155	21.81	6.2	2.40	72	140	19.58	6.0	2.70	47	214	29.96	3.2	0.90	56	178	24.99	3.3	1.05	60	167	23.36	3.3	1.10	69	144	20.19	3.2	1.20	82	122	17.15	3.2	1.40	91	109	15.32	3.2	1.50	107	93	13.08	3.1	1.70																				
12	806	113.10	18	1.80			14	689	96.66	18	2.10	GK109R79 GKF109R79 GKA109R79 GKAF109R79	4P	16	632	88.61			18	2.30	18			554	77.76	19			2.70	19	525			73.69	19	2.80			13	770	108.03	10	1.00			14	732	102.62			10	1.05	16	642	90.04	11	1.20	18	544	76.37	11	1.45	20	492	68.95	12	1.60	23	432	60.66	12	1.80	24	408	57.28	12	1.90	29	348	48.77	12	2.20	32	316	44.32	12	2.50	36	274	38.39	12	2.80	16	643	90.26	2.3	0.90	18	546	76.56	7.4	1.05	20	493	69.12	7.9	1.15	23	433	60.81	8.2	1.30	24	409	57.42	8.3	1.40	29	349	48.89	8.6	1.65	32	317	44.43	8.7	1.80	36	274	38.49	8.9	2.10	39	254	35.70	8.9	2.20	46	216	30.28	9.1	2.60	51	195	27.34	9.0	2.90	58	171	24.05	8.8	3.30	62	162	22.71	8.6	3.50	72	138	19.34	8.3	4.00	80	125	17.57	8.1	4.20	92	108	15.22	7.8	4.70	106	94	13.25	7.5	5.10	117	85	11.92	7.2	4.60	124	80	11.26	7.1	4.90	146	68	9.59	6.8	5.60	161	62	8.71	6.6	6.00	185	54	7.55	6.3	6.40	213	47	6.57	6.1	7.00	25	405	56.83	3.1	0.95	29	349	48.95	6.0	1.10	30	328	46.04	6.3	1.15	35	282	39.61	6.7	1.35	40	252	35.39	6.7	1.50	45	223	31.30	6.6	1.70	48	209	29.32	6.5	1.80	54	185	25.91	6.4	2.10	64	155	21.81	6.2	2.40	72	140	19.58	6.0	2.70	47	214	29.96	3.2	0.90	56	178	24.99	3.3	1.05	60	167	23.36	3.3	1.10	69	144	20.19	3.2	1.20	82	122	17.15	3.2	1.40	91	109	15.32	3.2	1.50	107	93	13.08	3.1	1.70																							
14	689	96.66	18	2.10	GK109R79 GKF109R79 GKA109R79 GKAF109R79	4P	16	632	88.61	18	2.30			18	554	77.76			19	2.70	19			525	73.69	19			2.80	13	770			108.03	10	1.00			14	732	102.62	10	1.05			16	642	90.04			11	1.20	18	544	76.37	11	1.45	20	492	68.95	12	1.60	23	432	60.66	12	1.80	24	408	57.28	12	1.90	29	348	48.77	12	2.20	32	316	44.32	12	2.50	36	274	38.39	12	2.80	16	643	90.26	2.3	0.90	18	546	76.56	7.4	1.05	20	493	69.12	7.9	1.15	23	433	60.81	8.2	1.30	24	409	57.42	8.3	1.40	29	349	48.89	8.6	1.65	32	317	44.43	8.7	1.80	36	274	38.49	8.9	2.10	39	254	35.70	8.9	2.20	46	216	30.28	9.1	2.60	51	195	27.34	9.0	2.90	58	171	24.05	8.8	3.30	62	162	22.71	8.6	3.50	72	138	19.34	8.3	4.00	80	125	17.57	8.1	4.20	92	108	15.22	7.8	4.70	106	94	13.25	7.5	5.10	117	85	11.92	7.2	4.60	124	80	11.26	7.1	4.90	146	68	9.59	6.8	5.60	161	62	8.71	6.6	6.00	185	54	7.55	6.3	6.40	213	47	6.57	6.1	7.00	25	405	56.83	3.1	0.95	29	349	48.95	6.0	1.10	30	328	46.04	6.3	1.15	35	282	39.61	6.7	1.35	40	252	35.39	6.7	1.50	45	223	31.30	6.6	1.70	48	209	29.32	6.5	1.80	54	185	25.91	6.4	2.10	64	155	21.81	6.2	2.40	72	140	19.58	6.0	2.70	47	214	29.96	3.2	0.90	56	178	24.99	3.3	1.05	60	167	23.36	3.3	1.10	69	144	20.19	3.2	1.20	82	122	17.15	3.2	1.40	91	109	15.32	3.2	1.50	107	93	13.08	3.1	1.70																												
16	632	88.61	18	2.30			18	554	77.76	19	2.70			19	525	73.69			19	2.80	13			770	108.03	10			1.00	14	732			102.62	10	1.05			16	642	90.04	11	1.20			18	544	76.37	11	1.45	20	492	68.95	12	1.60	23	432	60.66	12	1.80	24	408	57.28	12	1.90	29	348	48.77	12	2.20	32	316	44.32	12	2.50	36	274	38.39	12	2.80	16	643	90.26	2.3	0.90	18	546	76.56	7.4	1.05	20	493	69.12	7.9	1.15	23	433	60.81	8.2	1.30	24	409	57.42	8.3	1.40	29	349	48.89	8.6	1.65	32	317	44.43	8.7	1.80	36	274	38.49	8.9	2.10	39	254	35.70	8.9	2.20	46	216	30.28	9.1	2.60	51	195	27.34	9.0	2.90	58	171	24.05	8.8	3.30	62	162	22.71	8.6	3.50	72	138	19.34	8.3	4.00	80	125	17.57	8.1	4.20	92	108	15.22	7.8	4.70	106	94	13.25	7.5	5.10	117	85	11.92	7.2	4.60	124	80	11.26	7.1	4.90	146	68	9.59	6.8	5.60	161	62	8.71	6.6	6.00	185	54	7.55	6.3	6.40	213	47	6.57	6.1	7.00	25	405	56.83	3.1	0.95	29	349	48.95	6.0	1.10	30	328	46.04	6.3	1.15	35	282	39.61	6.7	1.35	40	252	35.39	6.7	1.50	45	223	31.30	6.6	1.70	48	209	29.32	6.5	1.80	54	185	25.91	6.4	2.10	64	155	21.81	6.2	2.40	72	140	19.58	6.0	2.70	47	214	29.96	3.2	0.90	56	178	24.99	3.3	1.05	60	167	23.36	3.3	1.10	69	144	20.19	3.2	1.20	82	122	17.15	3.2	1.40	91	109	15.32	3.2	1.50	107	93	13.08	3.1	1.70																																			
18	554	77.76	19	2.70			19	525	73.69	19	2.80			13	770	108.03			10	1.00	14			732	102.62	10			1.05	16	642			90.04	11	1.20			18	544	76.37	11	1.45	20	492	68.95	12	1.60	23	432	60.66	12	1.80	24	408	57.28	12	1.90	29	348	48.77	12	2.20	32	316	44.32	12	2.50	36	274	38.39	12	2.80	16	643	90.26	2.3	0.90	18	546	76.56	7.4	1.05	20	493	69.12	7.9	1.15	23	433	60.81	8.2	1.30	24	409	57.42	8.3	1.40	29	349	48.89	8.6	1.65	32	317	44.43	8.7	1.80	36	274	38.49	8.9	2.10	39	254	35.70	8.9	2.20	46	216	30.28	9.1	2.60	51	195	27.34	9.0	2.90	58	171	24.05	8.8	3.30	62	162	22.71	8.6	3.50	72	138	19.34	8.3	4.00	80	125	17.57	8.1	4.20	92	108	15.22	7.8	4.70	106	94	13.25	7.5	5.10	117	85	11.92	7.2	4.60	124	80	11.26	7.1	4.90	146	68	9.59	6.8	5.60	161	62	8.71	6.6	6.00	185	54	7.55	6.3	6.40	213	47	6.57	6.1	7.00	25	405	56.83	3.1	0.95	29	349	48.95	6.0	1.10	30	328	46.04	6.3	1.15	35	282	39.61	6.7	1.35	40	252	35.39	6.7	1.50	45	223	31.30	6.6	1.70	48	209	29.32	6.5	1.80	54	185	25.91	6.4	2.10	64	155	21.81	6.2	2.40	72	140	19.58	6.0	2.70	47	214	29.96	3.2	0.90	56	178	24.99	3.3	1.05	60	167	23.36	3.3	1.10	69	144	20.19	3.2	1.20	82	122	17.15	3.2	1.40	91	109	15.32	3.2	1.50	107	93	13.08	3.1	1.70																																										
19	525	73.69	19	2.80			13	770	108.03	10	1.00			14	732	102.62			10	1.05	16			642	90.04	11			1.20	18	544			76.37	11	1.45	20	492	68.95	12	1.60	23	432	60.66	12	1.80	24	408	57.28	12	1.90	29	348	48.77	12	2.20	32	316	44.32	12	2.50	36	274	38.39	12	2.80	16	643	90.26	2.3	0.90	18	546	76.56	7.4	1.05	20	493	69.12	7.9	1.15	23	433	60.81	8.2	1.30	24	409	57.42	8.3	1.40	29	349	48.89	8.6	1.65	32	317	44.43	8.7	1.80	36	274	38.49	8.9	2.10	39	254	35.70	8.9	2.20	46	216	30.28	9.1	2.60	51	195	27.34	9.0	2.90	58	171	24.05	8.8	3.30	62	162	22.71	8.6	3.50	72	138	19.34	8.3	4.00	80	125	17.57	8.1	4.20	92	108	15.22	7.8	4.70	106	94	13.25	7.5	5.10	117	85	11.92	7.2	4.60	124	80	11.26	7.1	4.90	146	68	9.59	6.8	5.60	161	62	8.71	6.6	6.00	185	54	7.55	6.3	6.40	213	47	6.57	6.1	7.00	25	405	56.83	3.1	0.95	29	349	48.95	6.0	1.10	30	328	46.04	6.3	1.15	35	282	39.61	6.7	1.35	40	252	35.39	6.7	1.50	45	223	31.30	6.6	1.70	48	209	29.32	6.5	1.80	54	185	25.91	6.4	2.10	64	155	21.81	6.2	2.40	72	140	19.58	6.0	2.70	47	214	29.96	3.2	0.90	56	178	24.99	3.3	1.05	60	167	23.36	3.3	1.10	69	144	20.19	3.2	1.20	82	122	17.15	3.2	1.40	91	109	15.32	3.2	1.50	107	93	13.08	3.1	1.70																																																	
13	770	108.03	10	1.00			14	732	102.62	10	1.05			16	642	90.04			11	1.20	18			544	76.37	11			1.45	20	492	68.95	12	1.60	23	432	60.66	12	1.80	24	408	57.28	12	1.90	29	348	48.77	12	2.20	32	316	44.32	12	2.50	36	274	38.39	12	2.80	16	643	90.26	2.3	0.90	18	546	76.56	7.4	1.05	20	493	69.12	7.9	1.15	23	433	60.81	8.2	1.30	24	409	57.42	8.3	1.40	29	349	48.89	8.6	1.65	32	317	44.43	8.7	1.80	36	274	38.49	8.9	2.10	39	254	35.70	8.9	2.20	46	216	30.28	9.1	2.60	51	195	27.34	9.0	2.90	58	171	24.05	8.8	3.30	62	162	22.71	8.6	3.50	72	138	19.34	8.3	4.00	80	125	17.57	8.1	4.20	92	108	15.22	7.8	4.70	106	94	13.25	7.5	5.10	117	85	11.92	7.2	4.60	124	80	11.26	7.1	4.90	146	68	9.59	6.8	5.60	161	62	8.71	6.6	6.00	185	54	7.55	6.3	6.40	213	47	6.57	6.1	7.00	25	405	56.83	3.1	0.95	29	349	48.95	6.0	1.10	30	328	46.04	6.3	1.15	35	282	39.61	6.7	1.35	40	252	35.39	6.7	1.50	45	223	31.30	6.6	1.70	48	209	29.32	6.5	1.80	54	185	25.91	6.4	2.10	64	155	21.81	6.2	2.40	72	140	19.58	6.0	2.70	47	214	29.96	3.2	0.90	56	178	24.99	3.3	1.05	60	167	23.36	3.3	1.10	69	144	20.19	3.2	1.20	82	122	17.15	3.2	1.40	91	109	15.32	3.2	1.50	107	93	13.08	3.1	1.70																																																								
14	732	102.62	10	1.05			16	642	90.04	11	1.20			18	544	76.37			11	1.45	20			492	68.95	12	1.60	23	432	60.66	12	1.80	24	408	57.28	12	1.90	29	348	48.77	12	2.20	32	316	44.32	12	2.50	36	274	38.39	12	2.80	16	643	90.26	2.3	0.90	18	546	76.56	7.4	1.05	20	493	69.12	7.9	1.15	23	433	60.81	8.2	1.30	24	409	57.42	8.3	1.40	29	349	48.89	8.6	1.65	32	317	44.43	8.7	1.80	36	274	38.49	8.9	2.10	39	254	35.70	8.9	2.20	46	216	30.28	9.1	2.60	51	195	27.34	9.0	2.90	58	171	24.05	8.8	3.30	62	162	22.71	8.6	3.50	72	138	19.34	8.3	4.00	80	125	17.57	8.1	4.20	92	108	15.22	7.8	4.70	106	94	13.25	7.5	5.10	117	85	11.92	7.2	4.60	124	80	11.26	7.1	4.90	146	68	9.59	6.8	5.60	161	62	8.71	6.6	6.00	185	54	7.55	6.3	6.40	213	47	6.57	6.1	7.00	25	405	56.83	3.1	0.95	29	349	48.95	6.0	1.10	30	328	46.04	6.3	1.15	35	282	39.61	6.7	1.35	40	252	35.39	6.7	1.50	45	223	31.30	6.6	1.70	48	209	29.32	6.5	1.80	54	185	25.91	6.4	2.10	64	155	21.81	6.2	2.40	72	140	19.58	6.0	2.70	47	214	29.96	3.2	0.90	56	178	24.99	3.3	1.05	60	167	23.36	3.3	1.10	69	144	20.19	3.2	1.20	82	122	17.15	3.2	1.40	91	109	15.32	3.2	1.50	107	93	13.08	3.1	1.70																																																															
16	642	90.04	11	1.20			18	544	76.37	11	1.45			20	492	68.95			12	1.60	23	432	60.66	12	1.80	24	408	57.28	12	1.90	29	348	48.77	12	2.20	32	316	44.32	12	2.50	36	274	38.39	12	2.80	16	643	90.26	2.3	0.90	18	546	76.56	7.4	1.05	20	493	69.12	7.9	1.15	23	433	60.81	8.2	1.30	24	409	57.42	8.3	1.40	29	349	48.89	8.6	1.65	32	317	44.43	8.7	1.80	36	274	38.49	8.9	2.10	39	254	35.70	8.9	2.20	46	216	30.28	9.1	2.60	51	195	27.34	9.0	2.90	58	171	24.05	8.8	3.30	62	162	22.71	8.6	3.50	72	138	19.34	8.3	4.00	80	125	17.57	8.1	4.20	92	108	15.22	7.8	4.70	106	94	13.25	7.5	5.10	117	85	11.92	7.2	4.60	124	80	11.26	7.1	4.90	146	68	9.59	6.8	5.60	161	62	8.71	6.6	6.00	185	54	7.55	6.3	6.40	213	47	6.57	6.1	7.00	25	405	56.83	3.1	0.95	29	349	48.95	6.0	1.10	30	328	46.04	6.3	1.15	35	282	39.61	6.7	1.35	40	252	35.39	6.7	1.50	45	223	31.30	6.6	1.70	48	209	29.32	6.5	1.80	54	185	25.91	6.4	2.10	64	155	21.81	6.2	2.40	72	140	19.58	6.0	2.70	47	214	29.96	3.2	0.90	56	178	24.99	3.3	1.05	60	167	23.36	3.3	1.10	69	144	20.19	3.2	1.20	82	122	17.15	3.2	1.40	91	109	15.32	3.2	1.50	107	93	13.08	3.1	1.70																																																																						
18	544	76.37	11	1.45			20	492	68.95	12	1.60			23	432	60.66	12	1.80	24	408	57.28	12	1.90	29	348	48.77	12	2.20	32	316	44.32	12	2.50	36	274	38.39	12	2.80	16	643	90.26	2.3	0.90	18	546	76.56	7.4	1.05	20	493	69.12	7.9	1.15	23	433	60.81	8.2	1.30	24	409	57.42	8.3	1.40	29	349	48.89	8.6	1.65	32	317	44.43	8.7	1.80	36	274	38.49	8.9	2.10	39	254	35.70	8.9	2.20	46	216	30.28	9.1	2.60	51	195	27.34	9.0	2.90	58	171	24.05	8.8	3.30	62	162	22.71	8.6	3.50	72	138	19.34	8.3	4.00	80	125	17.57	8.1	4.20	92	108	15.22	7.8	4.70	106	94	13.25	7.5	5.10	117	85	11.92	7.2	4.60	124	80	11.26	7.1	4.90	146	68	9.59	6.8	5.60	161	62	8.71	6.6	6.00	185	54	7.55	6.3	6.40	213	47	6.57	6.1	7.00	25	405	56.83	3.1	0.95	29	349	48.95	6.0	1.10	30	328	46.04	6.3	1.15	35	282	39.61	6.7	1.35	40	252	35.39	6.7	1.50	45	223	31.30	6.6	1.70	48	209	29.32	6.5	1.80	54	185	25.91	6.4	2.10	64	155	21.81	6.2	2.40	72	140	19.58	6.0	2.70	47	214	29.96	3.2	0.90	56	178	24.99	3.3	1.05	60	167	23.36	3.3	1.10	69	144	20.19	3.2	1.20	82	122	17.15	3.2	1.40	91	109	15.32	3.2	1.50	107	93	13.08	3.1	1.70																																																																													
20	492	68.95	12	1.60			23	432	60.66	12	1.80	24	408	57.28	12	1.90	29	348	48.77	12	2.20	32	316	44.32	12	2.50	36	274	38.39	12	2.80	16	643	90.26	2.3	0.90	18	546	76.56	7.4	1.05	20	493	69.12	7.9	1.15	23	433	60.81	8.2	1.30	24	409	57.42	8.3	1.40	29	349	48.89	8.6	1.65	32	317	44.43	8.7	1.80	36	274	38.49	8.9	2.10	39	254	35.70	8.9	2.20	46	216	30.28	9.1	2.60	51	195	27.34	9.0	2.90	58	171	24.05	8.8	3.30	62	162	22.71	8.6	3.50	72	138	19.34	8.3	4.00	80	125	17.57	8.1	4.20	92	108	15.22	7.8	4.70	106	94	13.25	7.5	5.10	117	85	11.92	7.2	4.60	124	80	11.26	7.1	4.90	146	68	9.59	6.8	5.60	161	62	8.71	6.6	6.00	185	54	7.55	6.3	6.40	213	47	6.57	6.1	7.00	25	405	56.83	3.1	0.95	29	349	48.95	6.0	1.10	30	328	46.04	6.3	1.15	35	282	39.61	6.7	1.35	40	252	35.39	6.7	1.50	45	223	31.30	6.6	1.70	48	209	29.32	6.5	1.80	54	185	25.91	6.4	2.10	64	155	21.81	6.2	2.40	72	140	19.58	6.0	2.70	47	214	29.96	3.2	0.90	56	178	24.99	3.3	1.05	60	167	23.36	3.3	1.10	69	144	20.19	3.2	1.20	82	122	17.15	3.2	1.40	91	109	15.32	3.2	1.50	107	93	13.08	3.1	1.70																																																																																				
23	432	60.66	12	1.80	24	408	57.28	12	1.90	29	348	48.77	12	2.20	32	316	44.32	12	2.50	36	274	38.39	12	2.80	16	643	90.26	2.3	0.90	18	546	76.56	7.4	1.05	20	493	69.12	7.9	1.15	23	433	60.81	8.2	1.30	24	409	57.42	8.3	1.40	29	349	48.89	8.6	1.65	32	317	44.43	8.7	1.80	36	274	38.49	8.9	2.10	39	254	35.70	8.9	2.20	46	216	30.28	9.1	2.60	51	195	27.34	9.0	2.90	58	171	24.05	8.8	3.30	62	162	22.71	8.6	3.50	72	138	19.34	8.3	4.00	80	125	17.57	8.1	4.20	92	108	15.22	7.8	4.70	106	94	13.25	7.5	5.10	117	85	11.92	7.2	4.60	124	80	11.26	7.1	4.90	146	68	9.59	6.8	5.60	161	62	8.71	6.6	6.00	185	54	7.55	6.3	6.40	213	47	6.57	6.1	7.00	25	405	56.83	3.1	0.95	29	349	48.95	6.0	1.10	30	328	46.04	6.3	1.15	35	282	39.61	6.7	1.35	40	252	35.39	6.7	1.50	45	223	31.30	6.6	1.70	48	209	29.32	6.5	1.80	54	185	25.91	6.4	2.10	64	155	21.81	6.2	2.40	72	140	19.58	6.0	2.70	47	214	29.96	3.2	0.90	56	178	24.99	3.3	1.05	60	167	23.36	3.3	1.10	69	144	20.19	3.2	1.20	82	122	17.15	3.2	1.40	91	109	15.32	3.2	1.50	107	93	13.08	3.1	1.70																																																																																											
24	408	57.28	12	1.90	29	348	48.77	12	2.20	32	316	44.32	12	2.50	36	274	38.39	12	2.80	16	643	90.26	2.3	0.90	18	546	76.56	7.4	1.05	20	493	69.12	7.9	1.15	23	433	60.81	8.2	1.30	24	409	57.42	8.3	1.40	29	349	48.89	8.6	1.65	32	317	44.43	8.7	1.80	36	274	38.49	8.9	2.10	39	254	35.70	8.9	2.20	46	216	30.28	9.1	2.60	51	195	27.34	9.0	2.90	58	171	24.05	8.8	3.30	62	162	22.71	8.6	3.50	72	138	19.34	8.3	4.00	80	125	17.57	8.1	4.20	92	108	15.22	7.8	4.70	106	94	13.25	7.5	5.10	117	85	11.92	7.2	4.60	124	80	11.26	7.1	4.90	146	68	9.59	6.8	5.60	161	62	8.71	6.6	6.00	185	54	7.55	6.3	6.40	213	47	6.57	6.1	7.00	25	405	56.83	3.1	0.95	29	349	48.95	6.0	1.10	30	328	46.04	6.3	1.15	35	282	39.61	6.7	1.35	40	252	35.39	6.7	1.50	45	223	31.30	6.6	1.70	48	209	29.32	6.5	1.80	54	185	25.91	6.4	2.10	64	155	21.81	6.2	2.40	72	140	19.58	6.0	2.70	47	214	29.96	3.2	0.90	56	178	24.99	3.3	1.05	60	167	23.36	3.3	1.10	69	144	20.19	3.2	1.20	82	122	17.15	3.2	1.40	91	109	15.32	3.2	1.50	107	93	13.08	3.1	1.70																																																																																																
29	348	48.77	12	2.20	32	316	44.32	12	2.50	36	274	38.39	12	2.80	16	643	90.26	2.3	0.90	18	546	76.56	7.4	1.05	20	493	69.12	7.9	1.15	23	433	60.81	8.2	1.30	24	409	57.42	8.3	1.40	29	349	48.89	8.6	1.65	32	317	44.43	8.7	1.80	36	274	38.49	8.9	2.10	39	254	35.70	8.9	2.20	46	216	30.28	9.1	2.60	51	195	27.34	9.0	2.90	58	171	24.05	8.8	3.30	62	162	22.71	8.6	3.50	72	138	19.34	8.3	4.00	80	125	17.57	8.1	4.20	92	108	15.22	7.8	4.70	106	94	13.25	7.5	5.10	117	85	11.92	7.2	4.60	124	80	11.26	7.1	4.90	146	68	9.59	6.8	5.60	161	62	8.71	6.6	6.00	185	54	7.55	6.3	6.40	213	47	6.57	6.1	7.00	25	405	56.83	3.1	0.95	29	349	48.95	6.0	1.10	30	328	46.04	6.3	1.15	35	282	39.61	6.7	1.35	40	252	35.39	6.7	1.50	45	223	31.30	6.6	1.70	48	209	29.32	6.5	1.80	54	185	25.91	6.4	2.10	64	155	21.81	6.2	2.40	72	140	19.58	6.0	2.70	47	214	29.96	3.2	0.90	56	178	24.99	3.3	1.05	60	167	23.36	3.3	1.10	69	144	20.19	3.2	1.20	82	122	17.15	3.2	1.40	91	109	15.32	3.2	1.50	107	93	13.08	3.1	1.70																																																																																																					
32	316	44.32	12	2.50	36	274	38.39	12	2.80	16	643	90.26	2.3	0.90	18	546	76.56	7.4	1.05	20	493	69.12	7.9	1.15	23	433	60.81	8.2	1.30	24	409	57.42	8.3	1.40	29	349	48.89	8.6	1.65	32	317	44.43	8.7	1.80	36	274	38.49	8.9	2.10	39	254	35.70	8.9	2.20	46	216	30.28	9.1	2.60	51	195	27.34	9.0	2.90	58	171	24.05	8.8	3.30	62	162	22.71	8.6	3.50	72	138	19.34	8.3	4.00	80	125	17.57	8.1	4.20	92	108	15.22	7.8	4.70	106	94	13.25	7.5	5.10	117	85	11.92	7.2	4.60	124	80	11.26	7.1	4.90	146	68	9.59	6.8	5.60	161	62	8.71	6.6	6.00	185	54	7.55	6.3	6.40	213	47	6.57	6.1	7.00	25	405	56.83	3.1	0.95	29	349	48.95	6.0	1.10	30	328	46.04	6.3	1.15	35	282	39.61	6.7	1.35	40	252	35.39	6.7	1.50	45	223	31.30	6.6	1.70	48	209	29.32	6.5	1.80	54	185	25.91	6.4	2.10	64	155	21.81	6.2	2.40	72	140	19.58	6.0	2.70	47	214	29.96	3.2	0.90	56	178	24.99	3.3	1.05	60	167	23.36	3.3	1.10	69	144	20.19	3.2	1.20	82	122	17.15	3.2	1.40	91	109	15.32	3.2	1.50	107	93	13.08	3.1	1.70																																																																																																										
36	274	38.39	12	2.80	16	643	90.26	2.3	0.90	18	546	76.56	7.4	1.05	20	493	69.12	7.9	1.15	23	433	60.81	8.2	1.30	24	409	57.42	8.3	1.40	29	349	48.89	8.6	1.65	32	317	44.43	8.7	1.80	36	274	38.49	8.9	2.10	39	254	35.70	8.9	2.20	46	216	30.28	9.1	2.60	51	195	27.34	9.0	2.90	58	171	24.05	8.8	3.30	62	162	22.71	8.6	3.50	72	138	19.34	8.3	4.00	80	125	17.57	8.1	4.20	92	108	15.22	7.8	4.70	106	94	13.25	7.5	5.10	117	85	11.92	7.2	4.60	124	80	11.26	7.1	4.90	146	68	9.59	6.8	5.60	161	62	8.71	6.6	6.00	185	54	7.55	6.3	6.40	213	47	6.57	6.1	7.00	25	405	56.83	3.1	0.95	29	349	48.95	6.0	1.10	30	328	46.04	6.3	1.15	35	282	39.61	6.7	1.35	40	252	35.39	6.7	1.50	45	223	31.30	6.6	1.70	48	209	29.32	6.5	1.80	54	185	25.91	6.4	2.10	64	155	21.81	6.2	2.40	72	140	19.58	6.0	2.70	47	214	29.96	3.2	0.90	56	178	24.99	3.3	1.05	60	167	23.36	3.3	1.10	69	144	20.19	3.2	1.20	82	122	17.15	3.2	1.40	91	109	15.32	3.2	1.50	107	93	13.08	3.1	1.70																																																																																																															
16	643	90.26	2.3	0.90	18	546	76.56	7.4	1.05	20	493	69.12	7.9	1.15	23	433	60.81	8.2	1.30	24	409	57.42	8.3	1.40	29	349	48.89	8.6	1.65	32	317	44.43	8.7	1.80	36	274	38.49	8.9	2.10	39	254	35.70	8.9	2.20	46	216	30.28	9.1	2.60	51	195	27.34	9.0	2.90	58	171	24.05	8.8	3.30	62	162	22.71	8.6	3.50	72	138	19.34	8.3	4.00	80	125	17.57	8.1	4.20	92	108	15.22	7.8	4.70	106	94	13.25	7.5	5.10	117	85	11.92	7.2	4.60	124	80	11.26	7.1	4.90	146	68	9.59	6.8	5.60	161	62	8.71	6.6	6.00	185	54	7.55	6.3	6.40	213	47	6.57	6.1	7.00	25	405	56.83	3.1	0.95	29	349	48.95	6.0	1.10	30	328	46.04	6.3	1.15	35	282	39.61	6.7	1.35	40	252	35.39	6.7	1.50	45	223	31.30	6.6	1.70	48	209	29.32	6.5	1.80	54	185	25.91	6.4	2.10	64	155	21.81	6.2	2.40	72	140	19.58	6.0	2.70	47	214	29.96	3.2	0.90	56	178	24.99	3.3	1.05	60	167	23.36	3.3	1.10	69	144	20.19	3.2	1.20	82	122	17.15	3.2	1.40	91	109	15.32	3.2	1.50	107	93	13.08	3.1	1.70																																																																																																																				
18	546	76.56	7.4	1.05	20	493	69.12	7.9	1.15	23	433	60.81	8.2	1.30	24	409	57.42	8.3	1.40	29	349	48.89	8.6	1.65	32	317	44.43	8.7	1.80	36	274	38.49	8.9	2.10	39	254	35.70	8.9	2.20	46	216	30.28	9.1	2.60	51	195	27.34	9.0	2.90	58	171	24.05	8.8	3.30	62	162	22.71	8.6	3.50	72	138	19.34	8.3	4.00	80	125	17.57	8.1	4.20	92	108	15.22	7.8	4.70	106	94	13.25	7.5	5.10	117	85	11.92	7.2	4.60	124	80	11.26	7.1	4.90	146	68	9.59	6.8	5.60	161	62	8.71	6.6	6.00	185	54	7.55	6.3	6.40	213	47	6.57	6.1	7.00	25	405	56.83	3.1	0.95	29	349	48.95	6.0	1.10	30	328	46.04	6.3	1.15	35	282	39.61	6.7	1.35	40	252	35.39	6.7	1.50	45	223	31.30	6.6	1.70	48	209	29.32	6.5	1.80	54	185	25.91	6.4	2.10	64	155	21.81	6.2	2.40	72	140	19.58	6.0	2.70	47	214	29.96	3.2	0.90	56	178	24.99	3.3	1.05	60	167	23.36	3.3	1.10	69	144	20.19	3.2	1.20	82	122	17.15	3.2	1.40	91	109	15.32	3.2	1.50	107	93	13.08	3.1	1.70																																																																																																																									
20	493	69.12	7.9	1.15	23	433	60.81	8.2	1.30	24	409	57.42	8.3	1.40	29	349	48.89	8.6	1.65	32	317	44.43	8.7	1.80	36	274	38.49	8.9	2.10	39	254	35.70	8.9	2.20	46	216	30.28	9.1	2.60	51	195	27.34	9.0	2.90	58	171	24.05	8.8	3.30	62	162	22.71	8.6	3.50	72	138	19.34	8.3	4.00	80	125	17.57	8.1	4.20	92	108	15.22	7.8	4.70	106	94	13.25	7.5	5.10	117	85	11.92	7.2	4.60	124	80	11.26	7.1	4.90	146	68	9.59	6.8	5.60	161	62	8.71	6.6	6.00	185	54	7.55	6.3	6.40	213	47	6.57	6.1	7.00	25	405	56.83	3.1	0.95	29	349	48.95	6.0	1.10	30	328	46.04	6.3	1.15	35	282	39.61	6.7	1.35	40	252	35.39	6.7	1.50	45	223	31.30	6.6	1.70	48	209	29.32	6.5	1.80	54	185	25.91	6.4	2.10	64	155	21.81	6.2	2.40	72	140	19.58	6.0	2.70	47	214	29.96	3.2	0.90	56	178	24.99	3.3	1.05	60	167	23.36	3.3	1.10	69	144	20.19	3.2	1.20	82	122	17.15	3.2	1.40	91	109	15.32	3.2	1.50	107	93	13.08	3.1	1.70																																																																																																																														
23	433	60.81	8.2	1.30	24	409	57.42	8.3	1.40	29	349	48.89	8.6	1.65	32	317	44.43	8.7	1.80	36	274	38.49	8.9	2.10	39	254	35.70	8.9	2.20	46	216	30.28	9.1	2.60	51	195	27.34	9.0	2.90	58	171	24.05	8.8	3.30	62	162	22.71	8.6	3.50	72	138	19.34	8.3	4.00	80	125	17.57	8.1	4.20	92	108	15.22	7.8	4.70	106	94	13.25	7.5	5.10	117	85	11.92	7.2	4.60	124	80	11.26	7.1	4.90	146	68	9.59	6.8	5.60	161	62	8.71	6.6	6.00	185	54	7.55	6.3	6.40	213	47	6.57	6.1	7.00	25	405	56.83	3.1	0.95	29	349	48.95	6.0	1.10	30	328	46.04	6.3	1.15	35	282	39.61	6.7	1.35	40	252	35.39	6.7	1.50	45	223	31.30	6.6	1.70	48	209	29.32	6.5	1.80	54	185	25.91	6.4	2.10	64	155	21.81	6.2	2.40	72	140	19.58	6.0	2.70	47	214	29.96	3.2	0.90	56	178	24.99	3.3	1.05	60	167	23.36	3.3	1.10	69	144	20.19	3.2	1.20	82	122	17.15	3.2	1.40	91	109	15.32	3.2	1.50	107	93	13.08	3.1	1.70																																																																																																																																			
24	409	57.42	8.3	1.40	29	349	48.89	8.6	1.65	32	317	44.43	8.7	1.80	36	274	38.49	8.9	2.10	39	254	35.70	8.9	2.20	46	216	30.28	9.1	2.60	51	195	27.34	9.0	2.90	58	171	24.05	8.8	3.30	62	162	22.71	8.6	3.50	72	138	19.34	8.3	4.00	80	125	17.57	8.1	4.20	92	108	15.22	7.8	4.70	106	94	13.25	7.5	5.10	117	85	11.92	7.2	4.60	124	80	11.26	7.1	4.90	146	68	9.59	6.8	5.60	161	62	8.71	6.6	6.00	185	54	7.55	6.3	6.40	213	47	6.57	6.1	7.00	25	405	56.83	3.1	0.95	29	349	48.95	6.0	1.10	30	328	46.04	6.3	1.15	35	282	39.61	6.7	1.35	40	252	35.39	6.7	1.50	45	223	31.30	6.6	1.70	48	209	29.32	6.5	1.80	54	185	25.91	6.4	2.10	64	155	21.81	6.2	2.40	72	140	19.58	6.0	2.70	47	214	29.96	3.2	0.90	56	178	24.99	3.3	1.05	60	167	23.36	3.3	1.10	69	144	20.19	3.2	1.20	82	122	17.15	3.2	1.40	91	109	15.32	3.2	1.50	107	93	13.08	3.1	1.70																																																																																																																																								
29	349	48.89	8.6	1.65	32	317	44.43	8.7	1.80	36	274	38.49	8.9	2.10	39	254	35.70	8.9	2.20	46	216	30.28	9.1	2.60	51	195	27.34	9.0	2.90	58	171	24.05	8.8	3.30	62	162	22.71	8.6	3.50	72	138	19.34	8.3	4.00	80	125	17.57	8.1	4.20	92	108	15.22	7.8	4.70	106	94	13.25	7.5	5.10	117	85	11.92	7.2	4.60	124	80	11.26	7.1	4.90	146	68	9.59	6.8	5.60	161	62	8.71	6.6	6.00	185	54	7.55	6.3	6.40	213	47	6.57	6.1	7.00	25	405	56.83	3.1	0.95	29	349	48.95	6.0	1.10	30	328	46.04	6.3	1.15	35	282	39.61	6.7	1.35	40	252	35.39	6.7	1.50	45	223	31.30	6.6	1.70	48	209	29.32	6.5	1.80	54	185	25.91	6.4	2.10	64	155	21.81	6.2	2.40	72	140	19.58	6.0	2.70	47	214	29.96	3.2	0.90	56	178	24.99	3.3	1.05	60	167	23.36	3.3	1.10	69	144	20.19	3.2	1.20	82	122	17.15	3.2	1.40	91	109	15.32	3.2	1.50	107	93	13.08	3.1	1.70																																																																																																																																													
32	317	44.43	8.7	1.80	36	274	38.49	8.9	2.10	39	254	35.70	8.9	2.20	46	216	30.28	9.1	2.60	51	195	27.34	9.0	2.90	58	171	24.05	8.8	3.30	62	162	22.71	8.6	3.50	72	138	19.34	8.3	4.00	80	125	17.57	8.1	4.20	92	108	15.22	7.8	4.70	106	94	13.25	7.5	5.10	117	85	11.92	7.2	4.60	124	80	11.26	7.1	4.90	146	68	9.59	6.8	5.60	161	62	8.71	6.6	6.00	185	54	7.55	6.3	6.40	213	47	6.57	6.1	7.00	25	405	56.83	3.1	0.95	29	349	48.95	6.0	1.10	30	328	46.04	6.3	1.15	35	282	39.61	6.7	1.35	40	252	35.39	6.7	1.50	45	223	31.30	6.6	1.70	48	209	29.32	6.5	1.80	54	185	25.91	6.4	2.10	64	155	21.81	6.2	2.40	72	140	19.58	6.0	2.70	47	214	29.96	3.2	0.90	56	178	24.99	3.3	1.05	60	167	23.36	3.3	1.10	69	144	20.19	3.2	1.20	82	122	17.15	3.2	1.40	91	109	15.32	3.2	1.50	107	93	13.08	3.1	1.70																																																																																																																																																		
36	274	38.49	8.9	2.10	39	254	35.70	8.9	2.20	46	216	30.28	9.1	2.60	51	195	27.34	9.0	2.90	58	171	24.05	8.8	3.30	62	162	22.71	8.6	3.50	72	138	19.34	8.3	4.00	80	125	17.57	8.1	4.20	92	108	15.22	7.8	4.70	106	94	13.25	7.5	5.10	117	85	11.92	7.2	4.60	124	80	11.26	7.1	4.90	146	68	9.59	6.8	5.60	161	62	8.71	6.6	6.00	185	54	7.55	6.3	6.40	213	47	6.57	6.1	7.00	25	405	56.83	3.1	0.95	29	349	48.95	6.0	1.10	30	328	46.04	6.3	1.15	35	282	39.61	6.7	1.35	40	252	35.39	6.7	1.50	45	223	31.30	6.6	1.70	48	209	29.32	6.5	1.80	54	185	25.91	6.4	2.10	64	155	21.81	6.2	2.40	72	140	19.58	6.0	2.70	47	214	29.96	3.2	0.90	56	178	24.99	3.3	1.05	60	167	23.36	3.3	1.10	69	144	20.19	3.2	1.20	82	122	17.15	3.2	1.40	91	109	15.32	3.2	1.50	107	93	13.08	3.1	1.70																																																																																																																																																							
39	254	35.70	8.9	2.20	46	216	30.28	9.1	2.60	51	195	27.34	9.0	2.90	58	171	24.05	8.8	3.30	62	162	22.71	8.6	3.50	72	138	19.34	8.3	4.00	80	125	17.57	8.1	4.20	92	108	15.22	7.8	4.70	106	94	13.25	7.5	5.10	117	85	11.92	7.2	4.60	124	80	11.26	7.1	4.90	146	68	9.59	6.8	5.60	161	62	8.71	6.6	6.00	185	54	7.55	6.3	6.40	213	47	6.57	6.1	7.00	25	405	56.83	3.1	0.95	29	349	48.95	6.0	1.10	30	328	46.04	6.3	1.15	35	282	39.61	6.7	1.35	40	252	35.39	6.7	1.50	45	223	31.30	6.6	1.70	48	209	29.32	6.5	1.80	54	185	25.91	6.4	2.10	64	155	21.81	6.2	2.40	72	140	19.58	6.0	2.70	47	214	29.96	3.2	0.90	56	178	24.99	3.3	1.05	60	167	23.36	3.3	1.10	69	144	20.19	3.2	1.20	82	122	17.15	3.2	1.40	91	109	15.32	3.2	1.50	107	93	13.08	3.1	1.70																																																																																																																																																												
46	216	30.28	9.1	2.60	51	195	27.34	9.0	2.90	58	171	24.05	8.8	3.30	62	162	22.71	8.6	3.50	72	138	19.34	8.3	4.00	80	125	17.57	8.1	4.20	92	108	15.22	7.8	4.70	106	94	13.25	7.5	5.10	117	85	11.92	7.2	4.60	124	80	11.26	7.1	4.90	146	68	9.59	6.8	5.60	161	62	8.71	6.6	6.00	185	54	7.55	6.3	6.40	213	47	6.57	6.1	7.00	25	405	56.83	3.1	0.95	29	349	48.95	6.0	1.10	30	328	46.04	6.3	1.15	35	282	39.61	6.7	1.35	40	252	35.39	6.7	1.50	45	223	31.30	6.6	1.70	48	209	29.32	6.5	1.80	54	185	25.91	6.4	2.10	64	155	21.81	6.2	2.40	72	140	19.58	6.0	2.70	47	214	29.96	3.2	0.90	56	178	24.99	3.3	1.05	60	167	23.36	3.3	1.10	69	144	20.19	3.2	1.20	82	122	17.15	3.2	1.40	91	109	15.32	3.2	1.50	107	93	13.08	3.1	1.70																																																																																																																																																																	
51	195	27.34	9.0	2.90	58	171	24.05	8.8	3.30	62	162	22.71	8.6	3.50	72	138	19.34	8.3	4.00	80	125	17.57	8.1	4.20	92	108	15.22	7.8	4.70	106	94	13.25	7.5	5.10	117	85	11.92	7.2	4.60	124	80	11.26	7.1	4.90	146	68	9.59	6.8	5.60	161	62	8.71	6.6	6.00	185	54	7.55	6.3	6.40	213	47	6.57	6.1	7.00	25	405	56.83	3.1	0.95	29	349	48.95	6.0	1.10	30	328	46.04	6.3	1.15	35	282	39.61	6.7	1.35	40	252	35.39	6.7	1.50	45	223	31.30	6.6	1.70	48	209	29.32	6.5	1.80	54	185	25.91	6.4	2.10	64	155	21.81	6.2	2.40	72	140	19.58	6.0	2.70	47	214	29.96	3.2	0.90	56	178	24.99	3.3	1.05	60	167	23.36	3.3	1.10	69	144	20.19	3.2	1.20	82	122	17.15	3.2	1.40	91	109	15.32	3.2	1.50	107	93	13.08	3.1	1.70																																																																																																																																																																						
58	171	24.05	8.8	3.30	62	162	22.71	8.6	3.50	72	138	19.34	8.3	4.00	80	125	17.57	8.1	4.20	92	108	15.22	7.8	4.70	106	94	13.25	7.5	5.10	117	85	11.92	7.2	4.60	124	80	11.26	7.1	4.90	146	68	9.59	6.8	5.60	161	62	8.71	6.6	6.00	185	54	7.55	6.3	6.40	213	47	6.57	6.1	7.00	25	405	56.83	3.1	0.95	29	349	48.95	6.0	1.10	30	328	46.04	6.3	1.15	35	282	39.61	6.7	1.35	40	252	35.39	6.7	1.50	45	223	31.30	6.6	1.70	48	209	29.32	6.5	1.80	54	185	25.91	6.4	2.10	64	155	21.81	6.2	2.40	72	140	19.58	6.0	2.70	47	214	29.96	3.2	0.90	56	178	24.99	3.3	1.05	60	167	23.36	3.3	1.10	69	144	20.19	3.2	1.20	82	122	17.15	3.2	1.40	91	109	15.32	3.2	1.50	107	93	13.08	3.1	1.70																																																																																																																																																																											
62	162	22.71	8.6	3.50	72	138	19.34	8.3	4.00	80	125	17.57	8.1	4.20	92	108	15.22	7.8	4.70	106	94	13.25	7.5	5.10	117	85	11.92	7.2	4.60	124	80	11.26	7.1	4.90	146	68	9.59	6.8	5.60	161	62	8.71	6.6	6.00	185	54	7.55	6.3	6.40	213	47	6.57	6.1	7.00	25	405	56.83	3.1	0.95	29	349	48.95	6.0	1.10	30	328	46.04	6.3	1.15	35	282	39.61	6.7	1.35	40	252	35.39	6.7	1.50	45	223	31.30	6.6	1.70	48	209	29.32	6.5	1.80	54	185	25.91	6.4	2.10	64	155	21.81	6.2	2.40	72	140	19.58	6.0	2.70	47	214	29.96	3.2	0.90	56	178	24.99	3.3	1.05	60	167	23.36	3.3	1.10	69	144	20.19	3.2	1.20	82	122	17.15	3.2	1.40	91	109	15.32	3.2	1.50	107	93	13.08	3.1	1.70																																																																																																																																																																																
72	138	19.34	8.3	4.00	80	125	17.57	8.1	4.20	92	108	15.22	7.8	4.70	106	94	13.25	7.5	5.10	117	85	11.92	7.2	4.60	124	80	11.26	7.1	4.90	146	68	9.59	6.8	5.60	161	62	8.71	6.6	6.00	185	54	7.55	6.3	6.40	213	47	6.57	6.1	7.00	25	405	56.83	3.1	0.95	29	349	48.95	6.0	1.10	30	328	46.04	6.3	1.15	35	282	39.61	6.7	1.35	40	252	35.39	6.7	1.50	45	223	31.30	6.6	1.70	48	209	29.32	6.5	1.80	54	185	25.91	6.4	2.10	64	155	21.81	6.2	2.40	72	140	19.58	6.0	2.70	47	214	29.96	3.2	0.90	56	178	24.99	3.3	1.05	60	167	23.36	3.3	1.10	69	144	20.19	3.2	1.20	82	122	17.15	3.2	1.40	91	109	15.32	3.2	1.50	107	93	13.08	3.1	1.70																																																																																																																																																																																					
80	125	17.57	8.1	4.20	92	108	15.22	7.8	4.70	106	94	13.25	7.5	5.10	117	85	11.92	7.2	4.60	124	80	11.26	7.1	4.90	146	68	9.59	6.8	5.60	161	62	8.71	6.6	6.00	185	54	7.55	6.3	6.40	213	47	6.57	6.1	7.00	25	405	56.83	3.1	0.95	29	349	48.95	6.0	1.10	30	328	46.04	6.3	1.15	35	282	39.61	6.7	1.35	40	252	35.39	6.7	1.50	45	223	31.30	6.6	1.70	48	209	29.32	6.5	1.80	54	185	25.91	6.4	2.10	64	155	21.81	6.2	2.40	72	140	19.58	6.0	2.70	47	214	29.96	3.2	0.90	56	178	24.99	3.3	1.05	60	167	23.36	3.3	1.10	69	144	20.19	3.2	1.20	82	122	17.15	3.2	1.40	91	109	15.32	3.2	1.50	107	93	13.08	3.1	1.70																																																																																																																																																																																										
92	108	15.22	7.8	4.70	106	94	13.25	7.5	5.10	117	85	11.92	7.2	4.60	124	80	11.26	7.1	4.90	146	68	9.59	6.8	5.60	161	62	8.71	6.6	6.00	185	54	7.55	6.3	6.40	213	47	6.57	6.1	7.00	25	405	56.83	3.1	0.95	29	349	48.95	6.0	1.10	30	328	46.04	6.3	1.15	35	282	39.61	6.7	1.35	40	252	35.39	6.7	1.50	45	223	31.30	6.6	1.70	48	209	29.32	6.5	1.80	54	185	25.91	6.4	2.10	64	155	21.81	6.2	2.40	72	140	19.58	6.0	2.70	47	214	29.96	3.2	0.90	56	178	24.99	3.3	1.05	60	167	23.36	3.3	1.10	69	144	20.19	3.2	1.20	82	122	17.15	3.2	1.40	91	109	15.32	3.2	1.50	107	93	13.08	3.1	1.70																																																																																																																																																																																															
106	94	13.25	7.5	5.10	117	85	11.92	7.2	4.60	124	80	11.26	7.1	4.90	146	68	9.59	6.8	5.60	161	62	8.71	6.6	6.00	185	54	7.55	6.3	6.40	213	47	6.57	6.1	7.00	25	405	56.83	3.1	0.95	29	349	48.95	6.0	1.10	30	328	46.04	6.3	1.15	35	282	39.61	6.7	1.35	40	252	35.39	6.7	1.50	45	223	31.30	6.6	1.70	48	209	29.32	6.5	1.80	54	185	25.91	6.4	2.10	64	155	21.81	6.2	2.40	72	140	19.58	6.0	2.70	47	214	29.96	3.2	0.90	56	178	24.99	3.3	1.05	60	167	23.36	3.3	1.10	69	144	20.19	3.2	1.20	82	122	17.15	3.2	1.40	91	109	15.32	3.2	1.50	107	93	13.08	3.1	1.70																																																																																																																																																																																																				
117	85	11.92	7.2	4.60	124	80	11.26	7.1	4.90	146	68	9.59	6.8	5.60	161	62	8.71	6.6	6.00	185	54	7.55	6.3	6.40	213	47	6.57	6.1	7.00	25	405	56.83	3.1	0.95	29	349	48.95	6.0	1.10	30	328	46.04	6.3	1.15	35	282	39.61	6.7	1.35	40	252	35.39	6.7	1.50	45	223	31.30	6.6	1.70	48	209	29.32	6.5	1.80	54	185	25.91	6.4	2.10	64	155	21.81	6.2	2.40	72	140	19.58	6.0	2.70	47	214	29.96	3.2	0.90	56	178	24.99	3.3	1.05	60	167	23.36	3.3	1.10	69	144	20.19	3.2	1.20	82	122	17.15	3.2	1.40	91	109	15.32	3.2	1.50	107	93	13.08	3.1	1.70																																																																																																																																																																																																									
124	80	11.26	7.1	4.90	146	68	9.59	6.8	5.60	161	62	8.71	6.6	6.00	185	54	7.55	6.3	6.40	213	47	6.57	6.1	7.00	25	405	56.83	3.1	0.95	29	349	48.95	6.0	1.10	30	328	46.04	6.3	1.15	35	282	39.61	6.7	1.35	40	252	35.39	6.7	1.50	45	223	31.30	6.6	1.70	48	209	29.32	6.5	1.80	54	185	25.91	6.4	2.10	64	155	21.81	6.2	2.40	72	140	19.58	6.0	2.70	47	214	29.96	3.2	0.90	56	178	24.99	3.3	1.05	60	167	23.36	3.3	1.10	69	144	20.19	3.2	1.20	82	122	17.15	3.2	1.40	91	109	15.32	3.2	1.50	107	93	13.08	3.1	1.70																																																																																																																																																																																																														
146	68	9.59	6.8	5.60	161	62	8.71	6.6	6.00	185	54	7.55	6.3	6.40	213	47	6.57	6.1	7.00	25	405	56.83	3.1	0.95	29	349	48.95	6.0	1.10	30	328	46.04	6.3	1.15	35	282	39.61	6.7	1.35	40	252	35.39	6.7	1.50	45	223	31.30	6.6	1.70	48	209	29.32	6.5	1.80	54	185	25.91	6.4	2.10	64	155	21.81	6.2	2.40	72	140	19.58	6.0	2.70	47	214	29.96	3.2	0.90	56	178	24.99	3.3	1.05	60	167	23.36	3.3	1.10	69	144	20.19	3.2	1.20	82	122	17.15	3.2	1.40	91	109	15.32	3.2	1.50	107	93	13.08	3.1	1.70																																																																																																																																																																																																																			
161	62	8.71	6.6	6.00	185	54	7.55	6.3	6.40	213	47	6.57	6.1	7.00	25	405	56.83	3.1	0.95	29	349	48.95	6.0	1.10	30	328	46.04	6.3	1.15	35	282	39.61	6.7	1.35	40	252	35.39	6.7	1.50	45	223	31.30	6.6	1.70	48	209	29.32	6.5	1.80	54	185	25.91	6.4	2.10	64	155	21.81	6.2	2.40	72	140	19.58	6.0	2.70	47	214	29.96	3.2	0.90	56	178	24.99	3.3	1.05	60	167	23.36	3.3	1.10	69	144	20.19	3.2	1.20	82	122	17.15	3.2	1.40	91	109	15.32	3.2	1.50	107	93	13.08	3.1	1.70																																																																																																																																																																																																																								
185	54	7.55	6.3	6.40	213	47	6.57	6.1	7.00	25	405	56.83	3.1	0.95	29	349	48.95	6.0	1.10	30	328	46.04	6.3	1.15	35	282	39.61	6.7	1.35	40	252	35.39	6.7	1.50	45	223	31.30	6.6	1.70	48	209	29.32	6.5	1.80	54	185	25.91	6.4	2.10	64	155	21.81	6.2	2.40	72	140	19.58	6.0	2.70	47	214	29.96	3.2	0.90	56	178	24.99	3.3	1.05	60	167	23.36	3.3	1.10	69	144	20.19	3.2	1.20	82	122	17.15	3.2	1.40	91	109	15.32	3.2	1.50	107	93	13.08	3.1	1.70																																																																																																																																																																																																																													
213	47	6.57	6.1	7.00	25	405	56.83	3.1	0.95	29	349	48.95	6.0	1.10	30	328	46.04	6.3	1.15	35	282	39.61	6.7	1.35	40	252	35.39	6.7	1.50	45	223	31.30	6.6	1.70	48	209	29.32	6.5	1.80	54	185	25.91	6.4	2.10	64	155	21.81	6.2	2.40	72	140	19.58	6.0	2.70	47	214	29.96	3.2	0.90	56	178	24.99	3.3	1.05	60	167	23.36	3.3	1.10	69	144	20.19	3.2	1.20	82	122	17.15	3.2	1.40	91	109	15.32	3.2	1.50	107	93	13.08	3.1	1.70																																																																																																																																																																																																																																		
25	405	56.83	3.1	0.95	29	349	48.95	6.0	1.10	30	328	46.04	6.3	1.15	35	282	39.61	6.7	1.35	40	252	35.39	6.7	1.50	45	223	31.30	6.6	1.70	48	209	29.32	6.5	1.80	54	185	25.91	6.4	2.10	64	155	21.81	6.2	2.40	72	140	19.58	6.0	2.70	47	214	29.96	3.2	0.90	56	178	24.99	3.3	1.05	60	167	23.36	3.3	1.10	69	144	20.19	3.2	1.20	82	122	17.15	3.2	1.40	91	109	15.32	3.2	1.50	107	93	13.08	3.1	1.70																																																																																																																																																																																																																																							
29	349	48.95	6.0	1.10	30	328	46.04	6.3	1.15	35	282	39.61	6.7	1.35	40	252	35.39	6.7	1.50	45	223	31.30	6.6	1.70	48	209	29.32	6.5	1.80	54	185	25.91	6.4	2.10	64	155	21.81	6.2	2.40	72	140	19.58	6.0	2.70	47	214	29.96	3.2	0.90	56	178	24.99	3.3	1.05	60	167	23.36	3.3	1.10	69	144	20.19	3.2	1.20	82	122	17.15	3.2	1.40	91	109	15.32	3.2	1.50	107	93	13.08	3.1	1.70																																																																																																																																																																																																																																												
30	328	46.04	6.3	1.15	35	282	39.61	6.7	1.35	40	252	35.39	6.7	1.50	45	223	31.30	6.6	1.70	48	209	29.32	6.5	1.80	54	185	25.91	6.4	2.10	64	155	21.81	6.2	2.40	72	140	19.58	6.0	2.70	47	214	29.96	3.2	0.90	56	178	24.99	3.3	1.05	60	167	23.36	3.3	1.10	69	144	20.19	3.2	1.20	82	122	17.15	3.2	1.40	91	109	15.32	3.2	1.50	107	93	13.08	3.1	1.70																																																																																																																																																																																																																																																	
35	282	39.61	6.7	1.35	40	252	35.39	6.7	1.50	45	223	31.30	6.6	1.70	48	209	29.32	6.5	1.80	54	185	25.91	6.4	2.10	64	155	21.81	6.2	2.40	72	140	19.58	6.0	2.70	47	214	29.96	3.2	0.90	56	178	24.99	3.3	1.05	60	167	23.36	3.3	1.10	69	144	20.19	3.2	1.20	82	122	17.15	3.2	1.40	91	109	15.32	3.2	1.50	107	93	13.08	3.1	1.70																																																																																																																																																																																																																																																						
40	252	35.39	6.7	1.50	45	223	31.30	6.6	1.70	48	209	29.32	6.5	1.80	54	185	25.91	6.4	2.10	64	155	21.81	6.2	2.40	72	140	19.58	6.0	2.70	47	214	29.96	3.2	0.90	56	178	24.99	3.3	1.05	60	167	23.36	3.3	1.10	69	144	20.19	3.2	1.20	82	122	17.15	3.2	1.40	91	109	15.32	3.2	1.50	107	93	13.08	3.1	1.70																																																																																																																																																																																																																																																											
45	223	31.30	6.6	1.70	48	209	29.32	6.5	1.80	54	185	25.91	6.4	2.10	64	155	21.81	6.2	2.40	72	140	19.58	6.0	2.70	47	214	29.96	3.2	0.90	56	178	24.99	3.3	1.05	60	167	23.36	3.3	1.10	69	144	20.19	3.2	1.20	82	122	17.15	3.2	1.40	91	109	15.32	3.2	1.50	107	93	13.08	3.1	1.70																																																																																																																																																																																																																																																																
48	209	29.32	6.5	1.80	54	185	25.91	6.4	2.10	64	155	21.81	6.2	2.40	72	140	19.58	6.0	2.70	47	214	29.96	3.2	0.90	56	178	24.99	3.3	1.05	60	167	23.36	3.3	1.10	69	144	20.19	3.2	1.20	82	122	17.15	3.2	1.40	91	109	15.32	3.2	1.50	107	93	13.08	3.1	1.70																																																																																																																																																																																																																																																																					
54	185	25.91	6.4	2.10	64	155	21.81	6.2	2.40	72	140	19.58	6.0	2.70	47	214	29.96	3.2	0.90	56	178	24.99	3.3	1.05	60	167	23.36	3.3	1.10	69	144	20.19	3.2	1.20	82	122	17.15	3.2	1.40	91	109	15.32	3.2	1.50	107	93	13.08	3.1	1.70																																																																																																																																																																																																																																																																										
64	155	21.81	6.2	2.40	72	140	19.58	6.0	2.70	47	214	29.96	3.2	0.90	56	178	24.99	3.3	1.05	60	167	23.36	3.3	1.10	69	144	20.19	3.2	1.20	82	122	17.15	3.2	1.40	91	109	15.32	3.2	1.50	107	93	13.08	3.1	1.70																																																																																																																																																																																																																																																																															
72	140	19.58	6.0	2.70	47	214	29.96	3.2	0.90	56	178	24.99	3.3	1.05	60	167	23.36	3.3	1.10	69	144	20.19	3.2	1.20	82	122	17.15	3.2	1.40	91	109	15.32	3.2	1.50	107	93	13.08	3.1	1.70																																																																																																																																																																																																																																																																																				
47	214	29.96	3.2	0.90	56	178	24.99	3.3	1.05	60	167	23.36	3.3	1.10	69	144	20.19	3.2	1.20	82	122	17.15	3.2	1.40	91	109	15.32	3.2	1.50	107	93	13.08	3.1	1.70																																																																																																																																																																																																																																																																																									
56	178	24.99	3.3	1.05	60	167	23.36	3.3	1.10	69	144	20.19	3.2	1.20	82	122	17.15	3.2	1.40	91	109	15.32	3.2	1.50	107	93	13.08	3.1	1.70																																																																																																																																																																																																																																																																																														
60	167	23.36	3.3	1.10	69	144	20.19	3.2	1.20	82	122	17.15	3.2	1.40	91	109	15.32	3.2	1.50	107	93	13.08	3.1	1.70																																																																																																																																																																																																																																																																																																			
69	144	20.19	3.2	1.20	82	122	17.15	3.2	1.40	91	109	15.32	3.2	1.50	107	93	13.08	3.1	1.70																																																																																																																																																																																																																																																																																																								
82	122	17.15	3.2	1.40	91	109	15.32	3.2	1.50	107	93	13.08	3.1	1.70																																																																																																																																																																																																																																																																																																													
91	109	15.32	3.2	1.50	107	93	13.08	3.1	1.70																																																																																																																																																																																																																																																																																																																		
107	93	13.08	3.1	1.70																																																																																																																																																																																																																																																																																																																							

选型参数表
(恒功率) 1.1kW-1.5kW
Selection Table
(Constant Power) 1.1kW-1.5kW

n_a [r/min]	M_a [Nm]	i	F_{Ra} [kN]	f_B	机型号 Type size	极数 Pole	n_a [r/min]	M_a [Nm]	i	F_{Ra} [kN]	f_B	机型号 Type size	极数 Pole																																																																																																																																																																																																																																																																																																																																																																																																																																																																																																																																																										
1.1kW							1.5kW																																																																																																																																																																																																																																																																																																																																																																																																																																																																																																																																																																
115	87	12.14	3.1	1.75	GK39 GKF39 GKA39 GKAF39	4P	2.4	5291	573	38	0.80	GK99R59 GKF99R59 GKA99R59 GKAF99R59	4P																																																																																																																																																																																																																																																																																																																																																																																																																																																																																																																																																										
133	75	10.49	3.0	2.00			157	64	8.91	2.9	2.40			176	57	7.96	2.8	2.60	206	48	6.80	2.7	2.90	220	45	6.37	2.7	3.00	261	38	5.36	2.6	3.50	1.5kW							1.5kW							0.21	62305	6747	154	0.80	GK189R99 GKA189R99	4P	4.2	3047	330	25	0.90	GK89R59 GKF89R59 GKA89R59 GKAF89R59	4P	0.23	55324	5991	165	0.95	0.26	49478	5358	171	1.05	0.29	44483	4817	171	1.15	0.32	40355	4370	171	1.30	0.39	33327	3609	171	1.50	GK189R99 GKA189R99	4P	4.8	2706	293	26	1.00	GK89R59 GKF89R59 GKA89R59 GKAF89R59	4P	0.46	28276	3062	171	1.80	0.56	23262	2519	171	2.20	0.62	20944	2268	171	2.50	GK169R99 GKA169R99	4P	5.6	2309	250	26	1.15	GK109 GKF109 GKA109 GKAF109	8P	0.34	37668	4079	135	0.85	0.41	31176	3376	135	1.05	0.51	25441	2755	135	1.30	0.64	20150	2182	135	1.60	0.82	15736	1704	135	2.10	GK169R99 GKA169R99	4P	7.0	1856	201	62	1.45	GK109 GKF109 GKA109 GKAF109	8P	0.99	13002	1408	135	2.50	1.08	11968	1296	135	2.70	0.60	21452	2323	105	0.80	GK159R99 GKF159R99 GKA159R99 GKAF159R99	4P	4.4	3066	153.21	38	1.35	GK99 GKF99 GKA99 GKAF99	8P	0.84	15320	1659	108	1.10	1.0	12605	1365	109	1.35	1.1	11349	1229	109	1.50	1.3	10093	1093	110	1.70	1.5	8699	942	110	1.95	GK159R99 GKF159R99 GKA159R99 GKAF159R99	4P	5.3	2549	176.05	38	1.55	GK99 GKF99 GKA99 GKAF99	6P	1.6	7877	853	110	2.15	2.5	5236	567	110	3.25	2.8	4654	504	111	3.65	GK129R89 GKF129R89 GKA129R89 GKAF129R89	4P	6.1	2218	153.21	38	1.80	GK89 GKF89 GKA89 GKAF89	6P	2.6	4977	539	78	2.50	3.3	3878	420	78	3.15	3.8	3398	368	78	3.65	0.80	16225	1757	70	0.80	GK129R79 GKF129R79 GKA129R79 GKAF129R79	4P	6.7	2031	140.28	38	1.95	GK99 GKF99 GKA99 GKAF99	4P	0.91	14230	1541	74	0.90	1.0	12393	1342	76	1.05	1.2	10869	1177	76	1.20	1.4	9465	1025	77	1.40	1.6	8302	899	77	1.60	1.8	7295	790	78	1.80	2.0	6501	704	78	2.00	2.3	5633	610	78	2.35	2.6	5070	549	78	2.55	2.9	4405	477	78	3.00	3.3	3869	419	78	3.45	1.4	9512	1030	62	0.85	GK109R79 GKF109R79 GKA109R79 GKAF109R79	4P	7.6	1794	123.93	38	2.20	GK89 GKF89 GKA89 GKAF89	4P	1.5	8348	904	62	0.95	1.8	7323	793	62	1.10	2.0	6427	696	62	1.25	2.3	5670	614	62	1.40	2.7	4820	522	62	1.65	3.0	4257	461	62	1.90	3.4	3768	408	62	2.10	3.8	3361	364	62	2.40	4.4	2937	318	62	2.70	8.3	1637	113.10	13	0.90	GK79 GKF79 GKA79 GKAF79	6P	8.0	1693	174.19	27	1.55	GK79 GKF79 GKA79 GKAF79	4P	9.7	1399	96.66	15	1.05	11	1283	88.61	16	1.10	12	1126	77.76	17	1.30	10	1310	134.74	16	1.15	11	1244	128.00	16	1.20	12	1099	113.10	17	1.35	14	940	96.66	17	1.55	16	861	88.61	18	1.70	18	756	77.76	18	1.95	19	716	73.69	18	2.10	22	627	64.49	18	2.40	24	565	58.10	19	2.60	27	495	50.97	19	3.00	31	437	44.98	19	3.40	35	388	39.88	19	3.80																																																																																				
157	64	8.91	2.9	2.40			176	57	7.96	2.8	2.60			206	48	6.80	2.7	2.90	220	45	6.37	2.7	3.00	261	38	5.36	2.6	3.50	1.5kW							1.5kW							0.21	62305	6747	154	0.80	GK189R99 GKA189R99	4P	4.2	3047	330			25	0.90	GK89R59 GKF89R59 GKA89R59 GKAF89R59	4P	0.23			55324	5991	165	0.95	0.26	49478	5358	171	1.05	0.29	44483	4817	171	1.15	0.32	40355	4370	171	1.30	0.39	33327	3609	171	1.50	GK189R99 GKA189R99			4P	4.8	2706	293	26			1.00	GK89R59 GKF89R59 GKA89R59 GKAF89R59	4P	0.46	28276	3062	171	1.80	0.56	23262	2519	171	2.20	0.62	20944			2268	171	2.50	GK169R99 GKA169R99	4P			5.6	2309	250	26	1.15	GK109 GKF109 GKA109 GKAF109	8P	0.34	37668	4079	135	0.85	0.41	31176	3376	135	1.05	0.51	25441	2755	135	1.30	0.64	20150	2182			135	1.60	0.82	15736	1704			135	2.10	GK169R99 GKA169R99	4P	7.0	1856	201	62	1.45	GK109 GKF109 GKA109 GKAF109	8P	0.99	13002	1408	135			2.50	1.08	11968	1296	135			2.70	0.60	21452	2323	105	0.80	GK159R99 GKF159R99 GKA159R99 GKAF159R99	4P	4.4	3066	153.21	38	1.35	GK99 GKF99 GKA99 GKAF99	8P	0.84	15320	1659	108	1.10	1.0	12605	1365	109	1.35			1.1	11349	1229	109	1.50			1.3	10093	1093	110	1.70	1.5	8699	942	110	1.95	GK159R99 GKF159R99 GKA159R99 GKAF159R99	4P	5.3	2549	176.05			38	1.55	GK99 GKF99 GKA99 GKAF99	6P	1.6			7877	853	110	2.15	2.5	5236	567	110	3.25	2.8	4654	504	111	3.65	GK129R89 GKF129R89 GKA129R89 GKAF129R89	4P	6.1	2218	153.21	38			1.80	GK89 GKF89 GKA89 GKAF89	6P	2.6	4977			539	78	2.50	3.3	3878	420	78	3.15	3.8	3398	368	78	3.65	0.80	16225	1757	70	0.80	GK129R79 GKF129R79 GKA129R79 GKAF129R79	4P	6.7	2031	140.28	38	1.95	GK99 GKF99 GKA99 GKAF99	4P	0.91	14230	1541	74	0.90	1.0	12393	1342	76	1.05	1.2	10869	1177	76	1.20	1.4	9465	1025	77	1.40	1.6	8302	899	77	1.60	1.8	7295	790	78	1.80	2.0	6501	704			78	2.00	2.3	5633	610			78	2.35	2.6	5070	549	78	2.55	2.9	4405	477	78	3.00	3.3	3869	419	78	3.45	1.4	9512	1030	62	0.85	GK109R79 GKF109R79 GKA109R79 GKAF109R79	4P	7.6	1794	123.93	38	2.20	GK89 GKF89 GKA89 GKAF89	4P	1.5	8348	904	62	0.95	1.8	7323	793	62	1.10	2.0	6427	696	62	1.25	2.3	5670	614	62			1.40	2.7	4820	522	62			1.65	3.0	4257	461	62	1.90	3.4	3768	408	62	2.10	3.8	3361	364	62	2.40	4.4	2937	318	62	2.70	8.3	1637	113.10	13	0.90	GK79 GKF79 GKA79 GKAF79	6P	8.0	1693	174.19	27	1.55	GK79 GKF79 GKA79 GKAF79	4P	9.7	1399	96.66	15	1.05	11	1283	88.61	16	1.10	12	1126	77.76	17	1.30	10	1310	134.74	16	1.15	11	1244	128.00	16	1.20	12	1099	113.10	17	1.35	14	940	96.66	17	1.55	16	861	88.61	18	1.70	18	756	77.76	18	1.95	19	716	73.69	18	2.10	22	627	64.49	18	2.40	24	565	58.10	19	2.60	27	495	50.97	19	3.00	31	437	44.98	19	3.40	35	388	39.88	19	3.80																																																	
176	57	7.96	2.8	2.60			206	48	6.80	2.7	2.90			220	45	6.37	2.7	3.00	261	38	5.36	2.6	3.50	1.5kW							1.5kW							0.21	62305	6747	154	0.80	GK189R99 GKA189R99	4P	4.2	3047	330			25	0.90	GK89R59 GKF89R59 GKA89R59 GKAF89R59			4P	0.23			55324			5991	165	0.95	0.26	49478	5358	171	1.05	0.29	44483	4817	171	1.15	0.32	40355	4370	171	1.30	0.39	33327	3609	171	1.50	GK189R99 GKA189R99					4P	4.8	2706	293			26			1.00	GK89R59 GKF89R59 GKA89R59 GKAF89R59	4P	0.46	28276	3062	171	1.80	0.56	23262	2519	171			2.20	0.62	20944					2268	171	2.50	GK169R99 GKA169R99	4P			5.6	2309	250	26	1.15	GK109 GKF109 GKA109 GKAF109	8P	0.34	37668	4079	135	0.85	0.41	31176	3376	135	1.05	0.51			25441	2755	135	1.30	0.64			20150	2182			135	1.60	0.82	15736	1704			135	2.10	GK169R99 GKA169R99	4P			7.0	1856	201	62	1.45			GK109 GKF109 GKA109 GKAF109	8P	0.99	13002	1408	135			2.50	1.08	11968	1296	135			2.70	0.60	21452	2323	105	0.80	GK159R99 GKF159R99 GKA159R99 GKAF159R99	4P	4.4	3066			153.21	38	1.35	GK99 GKF99 GKA99 GKAF99	8P			0.84	15320	1659	108	1.10	1.0	12605	1365	109	1.35			1.1	11349	1229			109	1.50			1.3			10093	1093	110	1.70	1.5	8699	942	110	1.95	GK159R99 GKF159R99 GKA159R99 GKAF159R99	4P	5.3	2549	176.05			38	1.55	GK99 GKF99 GKA99 GKAF99	6P			1.6			7877	853			110	2.15	2.5	5236	567	110	3.25	2.8	4654	504	111	3.65	GK129R89 GKF129R89 GKA129R89 GKAF129R89	4P	6.1	2218	153.21	38			1.80	GK89 GKF89 GKA89 GKAF89	6P	2.6	4977			539	78	2.50	3.3	3878	420	78	3.15	3.8	3398	368	78	3.65	0.80	16225	1757	70	0.80	GK129R79 GKF129R79 GKA129R79 GKAF129R79	4P	6.7	2031	140.28	38	1.95	GK99 GKF99 GKA99 GKAF99	4P	0.91	14230	1541	74	0.90	1.0			12393	1342	76	1.05	1.2			10869	1177	76	1.20	1.4	9465	1025	77	1.40	1.6	8302	899	77	1.60	1.8	7295	790	78	1.80	2.0	6501	704			78	2.00	2.3	5633	610			78	2.35	2.6	5070	549	78	2.55	2.9	4405	477	78	3.00	3.3	3869	419	78	3.45	1.4	9512			1030	62	0.85	GK109R79 GKF109R79 GKA109R79 GKAF109R79	4P			7.6	1794	123.93	38	2.20	GK89 GKF89 GKA89 GKAF89	4P	1.5	8348	904	62	0.95	1.8	7323	793	62	1.10	2.0	6427	696	62	1.25	2.3	5670	614	62			1.40	2.7	4820	522	62			1.65	3.0	4257	461	62	1.90	3.4	3768	408	62	2.10	3.8	3361	364	62	2.40	4.4	2937	318	62	2.70	8.3	1637	113.10	13	0.90	GK79 GKF79 GKA79 GKAF79	6P	8.0	1693	174.19	27	1.55	GK79 GKF79 GKA79 GKAF79	4P	9.7	1399	96.66	15	1.05	11	1283	88.61	16	1.10	12	1126	77.76	17	1.30	10	1310	134.74	16	1.15	11	1244	128.00	16	1.20	12	1099	113.10	17	1.35	14	940	96.66	17	1.55	16	861	88.61	18	1.70	18	756	77.76	18	1.95	19	716	73.69	18	2.10	22	627	64.49	18	2.40	24	565	58.10	19	2.60	27	495	50.97	19	3.00	31	437	44.98	19	3.40	35	388	39.88	19	3.80														
206	48	6.80	2.7	2.90			220	45	6.37	2.7	3.00			261	38	5.36	2.6	3.50	1.5kW							1.5kW							0.21	62305	6747	154	0.80	GK189R99 GKA189R99	4P	4.2	3047	330			25	0.90	GK89R59 GKF89R59 GKA89R59 GKAF89R59			4P	0.23					55324			5991			165	0.95	0.26	49478	5358	171	1.05	0.29	44483	4817	171	1.15	0.32	40355	4370	171	1.30	0.39	33327	3609	171	1.50	GK189R99 GKA189R99			4P	4.8			2706	293	26	1.00	GK89R59 GKF89R59 GKA89R59 GKAF89R59	4P			0.46			28276	3062	171	1.80	0.56	23262	2519	171	2.20			0.62	20944	2268					171	2.50	GK169R99 GKA169R99					4P	5.6	2309	250	26			1.15	GK109 GKF109 GKA109 GKAF109	8P	0.34	37668	4079	135	0.85	0.41	31176	3376	135	1.05	0.51	25441	2755	135	1.30	0.64	20150	2182	135			1.60	0.82	15736	1704	135			2.10	GK169R99 GKA169R99					4P	7.0	1856	201	62					1.45	GK109 GKF109 GKA109 GKAF109	8P	0.99			13002	1408	135	2.50	1.08			11968	1296	135	2.70	0.60	21452			2323	105	0.80	GK159R99 GKF159R99 GKA159R99 GKAF159R99	4P	4.4	3066			153.21	38	1.35	GK99 GKF99 GKA99 GKAF99	8P	0.84	15320	1659	108	1.10	1.0	12605			1365	109	1.35			1.1	11349			1229			109	1.50	1.3	10093	1093	110	1.70	1.5	8699			942	110	1.95			GK159R99 GKF159R99 GKA159R99 GKAF159R99	4P					5.3			2549	176.05			38	1.55	GK99 GKF99 GKA99 GKAF99	6P	1.6	7877	853	110	2.15	2.5	5236	567			110	3.25	2.8	4654			504			111	3.65			GK129R89 GKF129R89 GKA129R89 GKAF129R89	4P	6.1	2218	153.21	38	1.80	GK89 GKF89 GKA89 GKAF89	6P	2.6	4977	539	78	2.50	3.3	3878	420	78			3.15	3.8	3398	368	78			3.65	0.80	16225	1757	70	0.80			GK129R79 GKF129R79 GKA129R79 GKAF129R79	4P	6.7	2031	140.28			38	1.95	GK99 GKF99 GKA99 GKAF99	4P	0.91	14230	1541	74	0.90	1.0	12393	1342	76	1.05	1.2	10869	1177	76	1.20	1.4	9465	1025			77	1.40	1.6	8302	899			77	1.60	1.8	7295	790	78	1.80	2.0	6501	704	78	2.00	2.3	5633	610	78	2.35	2.6	5070			549	78	2.55					2.9	4405	477	78	3.00			3.3	3869	419	78	3.45	1.4	9512	1030	62	0.85	GK109R79 GKF109R79 GKA109R79 GKAF109R79	4P	7.6	1794	123.93	38	2.20	GK89 GKF89 GKA89 GKAF89	4P			1.5	8348	904	62	0.95			1.8	7323	793	62	1.10	2.0	6427	696	62	1.25	2.3	5670	614	62	1.40	2.7	4820	522	62	1.65	3.0	4257	461	62	1.90	3.4			3768	408	62	2.10	3.8			3361	364	62	2.40	4.4	2937	318	62	2.70	8.3	1637	113.10	13	0.90	GK79 GKF79 GKA79 GKAF79	6P	8.0	1693	174.19	27	1.55	GK79 GKF79 GKA79 GKAF79	4P	9.7	1399	96.66	15	1.05	11	1283	88.61	16	1.10	12	1126	77.76	17	1.30	10	1310	134.74	16	1.15	11	1244	128.00	16	1.20	12	1099	113.10	17	1.35	14	940	96.66	17	1.55	16	861	88.61	18	1.70	18	756	77.76	18	1.95	19	716	73.69	18	2.10	22	627	64.49	18	2.40	24	565	58.10	19	2.60	27	495	50.97	19	3.00	31
220	45	6.37	2.7	3.00			261	38	5.36	2.6	3.50			1.5kW							1.5kW							0.21	62305	6747	154	0.80	GK189R99 GKA189R99	4P	4.2	3047	330			25	0.90	GK89R59 GKF89R59 GKA89R59 GKAF89R59			4P	0.23					55324					5991			165			0.95	0.26	49478	5358	171	1.05	0.29	44483	4817	171	1.15	0.32	40355	4370	171	1.30	0.39	33327	3609	171	1.50	GK189R99 GKA189R99			4P		4.8	2706		293	26	1.00	GK89R59 GKF89R59 GKA89R59 GKAF89R59			4P	0.46	28276			3062	171	1.80	0.56	23262	2519	171	2.20	0.62			20944	2268	171					2.50	GK169R99 GKA169R99							4P	5.6	2309	250			26			1.15	GK109 GKF109 GKA109 GKAF109	8P	0.34	37668	4079	135	0.85	0.41	31176	3376	135	1.05	0.51	25441	2755	135	1.30	0.64	20150	2182	135	1.60	0.82	15736	1704	135	2.10	GK169R99 GKA169R99							4P	7.0	1856	201					62			1.45			GK109 GKF109 GKA109 GKAF109	8P	0.99	13002	1408			135	2.50	1.08	11968	1296	135			2.70	0.60	21452			2323	105			0.80	GK159R99 GKF159R99 GKA159R99 GKAF159R99	4P			4.4	3066	153.21	38	1.35	GK99 GKF99 GKA99 GKAF99	8P	0.84	15320	1659	108	1.10			1.0	12605	1365	109	1.35			1.1	11349	1229	109	1.50	1.3	10093	1093	110			1.70	1.5	8699									942			110	1.95			GK159R99 GKF159R99 GKA159R99 GKAF159R99	4P			5.3	2549	176.05	38	1.55	GK99 GKF99 GKA99 GKAF99	6P	1.6			7877	853	110	2.15			2.5			5236	567					110	3.25	2.8	4654	504			111	3.65	GK129R89 GKF129R89 GKA129R89 GKAF129R89	4P	6.1	2218	153.21	38	1.80			GK89 GKF89 GKA89 GKAF89	6P	2.6	4977	539			78	2.50	3.3	3878	420	78					3.15	3.8	3398			368	78			3.65	0.80	16225	1757	70	0.80	GK129R79 GKF129R79 GKA129R79 GKAF129R79	4P	6.7	2031	140.28	38	1.95	GK99 GKF99 GKA99 GKAF99	4P	0.91	14230	1541			74	0.90	1.0	12393	1342			76	1.05	1.2	10869	1177	76	1.20	1.4	9465	1025	77	1.40	1.6	8302	899	77	1.60	1.8	7295			790	78	1.80					2.0	6501	704	78	2.00			2.3	5633	610	78	2.35	2.6	5070	549	78	2.55			2.9	4405	477	78	3.00					3.3	3869	419	78	3.45			1.4	9512	1030	62	0.85	GK109R79 GKF109R79 GKA109R79 GKAF109R79	4P	7.6	1794	123.93	38	2.20	GK89 GKF89 GKA89 GKAF89	4P	1.5	8348	904	62	0.95	1.8	7323	793	62	1.10	2.0	6427			696	62	1.25	2.3	5670			614	62	1.40	2.7	4820	522	62	1.65	3.0	4257	461	62	1.90	3.4			3768	408	62	2.10	3.8			3361	364	62	2.40	4.4	2937	318	62	2.70	8.3	1637	113.10	13	0.90	GK79 GKF79 GKA79 GKAF79	6P	8.0	1693	174.19	27	1.55	GK79 GKF79 GKA79 GKAF79	4P	9.7	1399	96.66	15	1.05	11	1283	88.61	16	1.10	12	1126	77.76	17	1.30	10	1310	134.74	16	1.15	11	1244	128.00	16	1.20	12	1099	113.10	17	1.35	14	940	96.66	17	1.55	16	861	88.61	18	1.70	18	756	77.76
261	38	5.36	2.6	3.50			1.5kW							1.5kW							0.21	62305	6747	154	0.80	GK189R99 GKA189R99	4P	4.2	3047	330	25	0.90			GK89R59 GKF89R59 GKA89R59 GKAF89R59	4P	0.23			55324	5991					165					0.95		0.26	49478		5358			171	1.05	0.29	44483	4817	171	1.15	0.32	40355	4370	171	1.30	0.39	33327	3609	171	1.50	GK189R99 GKA189R99	4P	4.8	2706	293	26	1.00			GK89R59 GKF89R59 GKA89R59 GKAF89R59			4P	0.46	28276	3062	171	1.80					0.56	23262	2519	171	2.20	0.62	20944	2268	171	2.50	GK169R99 GKA169R99	4P	5.6	2309	250	26	1.15	GK109 GKF109 GKA109 GKAF109			8P	0.34	37668									4079	135	0.85			0.41			31176			3376	135	1.05	0.51	25441	2755	135	1.30	0.64	20150	2182	135	1.60	0.82	15736	1704	135	2.10	GK169R99 GKA169R99	4P	7.0	1856	201	62	1.45			GK109 GKF109 GKA109 GKAF109	8P	0.99	13002			1408	135	2.50	1.08	11968	1296	135	2.70			0.60					21452	2323	105			0.80	GK159R99 GKF159R99 GKA159R99 GKAF159R99	4P	4.4	3066	153.21			38	1.35	GK99 GKF99 GKA99 GKAF99			8P	0.84			15320					1659	108	1.10	1.0	12605			1365	109	1.35	1.1	11349	1229	109	1.50	1.3	10093	1093	110	1.70	1.5	8699	942	110	1.95	GK159R99 GKF159R99 GKA159R99 GKAF159R99	4P	5.3	2549	176.05	38	1.55	GK99 GKF99 GKA99 GKAF99	6P	1.6					7877	853			110			2.15	2.5							5236	567	110	3.25	2.8			4654			504	111	3.65	GK129R89 GKF129R89 GKA129R89 GKAF129R89			4P			6.1	2218					153.21	38	1.80	GK89 GKF89 GKA89 GKAF89	6P			2.6	4977			539	78	2.50	3.3	3878					420	78	3.15			3.8	3398	368	78	3.65	0.80					16225	1757	70			0.80	GK129R79 GKF129R79 GKA129R79 GKAF129R79			4P	6.7	2031	140.28	38	1.95			GK99 GKF99 GKA99 GKAF99	4P	0.91	14230	1541			74	0.90	1.0			12393	1342	76	1.05	1.2			10869	1177	76	1.20	1.4	9465	1025	77	1.40	1.6	8302	899	77	1.60	1.8	7295	790	78	1.80	2.0	6501	704	78	2.00			2.3	5633	610	78	2.35	2.6	5070			549	78	2.55	2.9	4405	477	78	3.00	3.3	3869			419	78	3.45	1.4	9512					1030	62	0.85	GK109R79 GKF109R79 GKA109R79 GKAF109R79	4P			7.6	1794	123.93	38	2.20			GK89 GKF89 GKA89 GKAF89	4P	1.5	8348	904			62	0.95	1.8	7323	793	62	1.10	2.0	6427	696	62	1.25			2.3	5670	614	62	1.40			2.7	4820	522	62	1.65	3.0	4257	461	62	1.90	3.4	3768	408	62			2.10	3.8	3361	364	62			2.40	4.4	2937	318	62	2.70	8.3	1637	113.10	13	0.90	GK79 GKF79 GKA79 GKAF79	6P	8.0			1693	174.19	27	1.55	GK79 GKF79 GKA79 GKAF79			4P	9.7	1399	96.66	15	1.05	11	1283	88.61	16	1.10	12	1126	77.76	17	1.30	10	1310	134.74	16	1.15	11	1244	128.00	16	1.20	12	1099	113.10	17	1.35	14	940	96.66	17	1.55	16	861	88.61	18	1.70	18	756
1.5kW							1.5kW																																																																																																																																																																																																																																																																																																																																																																																																																																																																																																																																																																
0.21	62305	6747	154	0.80	GK189R99 GKA189R99	4P	4.2	3047	330	25	0.90	GK89R59 GKF89R59 GKA89R59 GKAF89R59	4P																																																																																																																																																																																																																																																																																																																																																																																																																																																																																																																																																										
0.23	55324	5991	165	0.95			0.26	49478	5358	171	1.05			0.29	44483	4817	171	1.15	0.32	40355	4370	171	1.30	0.39	33327			3609	171	1.50	GK189R99 GKA189R99	4P					4.8	2706	293	26	1.00		GK89R59 GKF89R59 GKA89R59 GKAF89R59	4P		0.46	28276	3062	171	1.80	0.56	23262	2519	171	2.20	0.62	20944	2268	171	2.50	GK169R99 GKA169R99	4P	5.6	2309	250	26	1.15	GK109 GKF109 GKA109 GKAF109	8P	0.34	37668	4079	135	0.85	0.41	31176	3376	135	1.05	0.51	25441	2755	135	1.30	0.64	20150	2182	135	1.60	0.82	15736	1704	135	2.10	GK169R99 GKA169R99	4P	7.0	1856	201	62	1.45	GK109 GKF109 GKA109 GKAF109	8P	0.99	13002	1408	135			2.50	1.08	11968	1296	135		2.70	0.60		21452	2323		105	0.80	GK159R99 GKF159R99 GKA159R99 GKAF159R99	4P	4.4	3066		153.21	38	1.35	GK99 GKF99 GKA99 GKAF99	8P	0.84	15320	1659	108			1.10	1.0	12605	1365	109	1.35	1.1	11349	1229	109	1.50	1.3	10093	1093	110	1.70	1.5	8699	942	110	1.95	GK159R99 GKF159R99 GKA159R99 GKAF159R99	4P	5.3	2549	176.05	38	1.55	GK99 GKF99 GKA99 GKAF99	6P	1.6	7877	853	110	2.15	2.5	5236	567	110	3.25	2.8	4654	504	111	3.65	GK129R89 GKF129R89 GKA129R89 GKAF129R89	4P	6.1	2218	153.21	38	1.80	GK89 GKF89 GKA89 GKAF89	6P			2.6	4977	539	78	2.50	3.3	3878		420	78		3.15	3.8	3398	368			78	3.65	0.80	16225	1757	70	0.80			GK129R79 GKF129R79 GKA129R79 GKAF129R79	4P	6.7	2031	140.28	38	1.95	GK99 GKF99 GKA99 GKAF99	4P	0.91	14230	1541	74	0.90	1.0	12393	1342	76	1.05	1.2	10869	1177	76	1.20	1.4	9465	1025	77	1.40	1.6	8302	899	77	1.60			1.8	7295	790	78	1.80			2.0	6501	704	78	2.00	2.3	5633	610	78	2.35	2.6	5070	549	78	2.55	2.9	4405					477	78	3.00	3.3			3869	419	78	3.45	1.4			9512	1030	62	0.85			GK109R79 GKF109R79 GKA109R79 GKAF109R79	4P	7.6	1794	123.93					38	2.20	GK89 GKF89 GKA89 GKAF89			4P	1.5	8348	904	62	0.95					1.8	7323	793			62					1.10	2.0	6427	696	62					1.25	2.3	5670			614	62	1.40			2.7	4820	522	62	1.65			3.0	4257	461	62	1.90	3.4	3768	408	62	2.10	3.8	3361	364	62	2.40	4.4	2937	318	62	2.70	8.3	1637	113.10	13			0.90	GK79 GKF79 GKA79 GKAF79	6P	8.0	1693	174.19	27			1.55	GK79 GKF79 GKA79 GKAF79	4P	9.7	1399	96.66	15	1.05	11	1283			88.61	16	1.10	12	1126			77.76	17	1.30	10	1310			134.74	16	1.15	11	1244	128.00	16					1.20	12	1099			113.10	17	1.35	14	940	96.66	17	1.55	16	861	88.61	18	1.70	18	756	77.76	18	1.95	19	716	73.69	18	2.10	22	627	64.49	18	2.40	24	565	58.10	19	2.60	27	495	50.97	19	3.00	31	437	44.98	19	3.40	35	388	39.88	19	3.80																																																														
0.26	49478	5358	171	1.05			0.29	44483	4817	171	1.15			0.32	40355	4370	171	1.30	0.39	33327	3609	171	1.50	GK189R99 GKA189R99	4P			4.8	2706	293			26	1.00			GK89R59 GKF89R59 GKA89R59 GKAF89R59	4P	0.46	28276	3062	171			1.80	0.56	23262	2519	171	2.20	0.62	20944	2268	171	2.50	GK169R99 GKA169R99	4P	5.6	2309	250			26	1.15	GK109 GKF109 GKA109 GKAF109	8P	0.34			37668	4079	135	0.85	0.41	31176	3376	135	1.05	0.51	25441	2755	135	1.30	0.64	20150	2182	135	1.60	0.82	15736	1704	135	2.10	GK169R99 GKA169R99			4P	7.0	1856	201	62			1.45	GK109 GKF109 GKA109 GKAF109	8P	0.99			13002	1408	135	2.50	1.08		11968	1296		135	2.70	0.60	21452	2323			105	0.80	GK159R99 GKF159R99 GKA159R99 GKAF159R99	4P	4.4	3066			153.21	38	1.35	GK99 GKF99 GKA99 GKAF99	8P	0.84	15320	1659	108	1.10	1.0	12605	1365	109	1.35	1.1	11349	1229	109	1.50	1.3	10093	1093	110	1.70	1.5	8699			942	110	1.95	GK159R99 GKF159R99 GKA159R99 GKAF159R99	4P			5.3	2549	176.05	38	1.55	GK99 GKF99 GKA99 GKAF99	6P	1.6	7877	853	110	2.15	2.5	5236	567			110	3.25	2.8	4654	504					111	3.65	GK129R89 GKF129R89 GKA129R89 GKAF129R89	4P	6.1	2218	153.21		38	1.80		GK89 GKF89 GKA89 GKAF89	6P	2.6	4977	539	78	2.50	3.3	3878	420	78	3.15	3.8	3398	368			78	3.65	0.80	16225	1757			70	0.80	GK129R79 GKF129R79 GKA129R79 GKAF129R79	4P	6.7	2031	140.28	38	1.95	GK99 GKF99 GKA99 GKAF99	4P	0.91	14230	1541	74	0.90	1.0	12393	1342	76	1.05	1.2	10869	1177	76			1.20	1.4	9465	1025	77			1.40	1.6	8302	899	77	1.60	1.8	7295	790	78	1.80	2.0	6501	704	78	2.00	2.3					5633	610	78	2.35			2.6	5070	549	78	2.55			2.9	4405	477	78	3.00	3.3			3869	419	78			3.45	1.4	9512	1030					62	0.85	GK109R79 GKF109R79 GKA109R79 GKAF109R79	4P	7.6					1794	123.93	38			2.20					GK89 GKF89 GKA89 GKAF89	4P	1.5	8348	904					62	0.95	1.8			7323	793	62			1.10	2.0	6427	696	62			1.25	2.3	5670	614	62	1.40	2.7	4820	522	62	1.65	3.0	4257	461	62	1.90	3.4	3768	408	62	2.10	3.8	3361	364			62			2.40	4.4	2937	318			62			2.70	8.3	1637	113.10	13	0.90	GK79 GKF79 GKA79 GKAF79			6P	8.0	1693	174.19	27			1.55	GK79 GKF79 GKA79 GKAF79	4P	9.7	1399			96.66	15	1.05	11	1283	88.61	16					1.10	12	1126			77.76	17	1.30	10	1310	134.74	16	1.15	11	1244	128.00	16	1.20	12	1099	113.10	17	1.35	14	940	96.66	17	1.55	16	861	88.61	18	1.70	18	756	77.76	18	1.95	19	716	73.69	18	2.10	22	627	64.49	18	2.40	24	565	58.10	19	2.60	27	495	50.97	19	3.00	31	437			44.98	19	3.40	35	388	39.88	19		3.80																																												
0.29	44483	4817	171	1.15			0.32	40355	4370	171	1.30			0.39	33327	3609	171	1.50	GK189R99 GKA189R99	4P	4.8	2706	293			26	1.00	GK89R59 GKF89R59 GKA89R59 GKAF89R59	4P	0.46			28276	3062	171	1.80			0.56	23262	2519	171			2.20	0.62	20944	2268	171	2.50	GK169R99 GKA169R99	4P	5.6	2309	250			26	1.15	GK109 GKF109 GKA109 GKAF109			8P	0.34			37668			4079	135	0.85	0.41	31176	3376	135	1.05	0.51	25441	2755	135	1.30	0.64	20150	2182	135	1.60	0.82	15736	1704	135	2.10	GK169R99 GKA169R99					4P	7.0	1856	201			62			1.45	GK109 GKF109 GKA109 GKAF109	8P	0.99	13002	1408	135	2.50	1.08	11968	1296	135	2.70	0.60	21452	2323	105			0.80	GK159R99 GKF159R99 GKA159R99 GKAF159R99			4P	4.4			3066	153.21	38			1.35	GK99 GKF99 GKA99 GKAF99	8P	0.84	15320	1659	108	1.10	1.0	12605	1365	109	1.35	1.1	11349	1229	109	1.50	1.3	10093	1093	110			1.70	1.5	8699					942	110	1.95	GK159R99 GKF159R99 GKA159R99 GKAF159R99	4P			5.3	2549	176.05	38	1.55	GK99 GKF99 GKA99 GKAF99	6P	1.6			7877	853	110	2.15	2.5			5236	567	110	3.25			2.8	4654	504	111	3.65	GK129R89 GKF129R89 GKA129R89 GKAF129R89	4P			6.1	2218	153.21	38	1.80	GK89 GKF89 GKA89 GKAF89	6P	2.6	4977	539	78	2.50	3.3			3878	420	78	3.15	3.8			3398	368			78	3.65	0.80	16225	1757			70	0.80	GK129R79 GKF129R79 GKA129R79 GKAF129R79	4P	6.7	2031	140.28	38	1.95	GK99 GKF99 GKA99 GKAF99	4P	0.91	14230	1541			74	0.90	1.0	12393	1342			76	1.05	1.2	10869	1177	76	1.20	1.4	9465	1025	77	1.40	1.6	8302	899	77	1.60	1.8			7295	790	78	1.80	2.0			6501	704	78	2.00	2.3	5633	610	78	2.35	2.6	5070	549	78			2.55	2.9	4405			477	78	3.00	3.3					3869	419			78	3.45	1.4			9512	1030	62	0.85	GK109R79 GKF109R79 GKA109R79 GKAF109R79	4P							7.6	1794	123.93					38	2.20	GK89 GKF89 GKA89 GKAF89			4P	1.5	8348			904	62	0.95	1.8	7323			793	62	1.10	2.0	6427	696	62	1.25	2.3	5670	614	62	1.40	2.7	4820	522	62	1.65	3.0	4257	461	62	1.90	3.4			3768			408	62	2.10	3.8			3361			364	62	2.40	4.4	2937	318					62	2.70	8.3	1637			113.10			13	0.90			GK79 GKF79 GKA79 GKAF79	6P	8.0	1693	174.19	27	1.55					GK79 GKF79 GKA79 GKAF79	4P	9.7			1399	96.66	15	1.05	11	1283	88.61	16	1.10	12	1126	77.76	17	1.30	10	1310	134.74	16	1.15	11	1244	128.00	16	1.20	12	1099	113.10	17	1.35	14	940	96.66	17	1.55	16	861	88.61	18	1.70	18	756	77.76	18	1.95	19	716	73.69	18	2.10	22	627	64.49	18	2.40	24	565	58.10	19	2.60	27	495	50.97	19	3.00	31	437	44.98	19	3.40	35	388	39.88	19	3.80																																				
0.32	40355	4370	171	1.30			0.39	33327	3609	171	1.50			GK189R99 GKA189R99	4P	4.8	2706	293			26	1.00	GK89R59 GKF89R59 GKA89R59 GKAF89R59			4P	0.46			28276	3062	171	1.80	0.56	23262	2519			171	2.20	0.62	20944	2268	171	2.50	GK169R99 GKA169R99	4P	5.6	2309	250			26	1.15	GK109 GKF109 GKA109 GKAF109			8P	0.34					37668			4079			135	0.85	0.41	31176	3376	135	1.05	0.51	25441	2755	135	1.30	0.64	20150	2182	135	1.60	0.82	15736	1704	135	2.10	GK169R99 GKA169R99			4P	7.0			1856	201	62	1.45	GK109 GKF109 GKA109 GKAF109	8P			0.99			13002	1408	135	2.50	1.08	11968	1296	135	2.70	0.60	21452	2323	105	0.80			GK159R99 GKF159R99 GKA159R99 GKAF159R99					4P			4.4	3066	153.21			38			1.35	GK99 GKF99 GKA99 GKAF99	8P	0.84	15320	1659	108	1.10	1.0	12605	1365	109	1.35	1.1	11349	1229	109	1.50	1.3	10093	1093	110	1.70	1.5			8699	942	110	1.95	GK159R99 GKF159R99 GKA159R99 GKAF159R99					4P	5.3	2549	176.05	38			1.55			GK99 GKF99 GKA99 GKAF99	6P	1.6	7877	853			110	2.15	2.5	5236			567	110	3.25	2.8	4654					504	111	3.65	GK129R89 GKF129R89 GKA129R89 GKAF129R89	4P			6.1	2218	153.21	38	1.80	GK89 GKF89 GKA89 GKAF89			6P	2.6	4977	539	78			2.50	3.3			3878	420	78	3.15	3.8			3398	368			78	3.65	0.80	16225	1757			70	0.80	GK129R79 GKF129R79 GKA129R79 GKAF129R79			4P	6.7	2031	140.28	38			1.95	GK99 GKF99 GKA99 GKAF99	4P	0.91	14230	1541	74	0.90	1.0	12393	1342	76	1.05	1.2	10869	1177	76	1.20			1.4	9465	1025	77	1.40			1.6	8302	899	77	1.60	1.8	7295	790	78	1.80	2.0	6501	704			78	2.00	2.3			5633	610	78	2.35					2.6	5070			549	78	2.55			2.9	4405	477	78									3.00	3.3	3869					419	78					3.45	1.4	9512	1030	62	0.85	GK109R79 GKF109R79 GKA109R79 GKAF109R79	4P	7.6	1794	123.93	38	2.20	GK89 GKF89 GKA89 GKAF89	4P	1.5	8348	904	62	0.95	1.8	7323	793	62	1.10	2.0	6427	696	62	1.25	2.3	5670	614	62	1.40			2.7			4820	522	62	1.65			3.0			4257	461	62	1.90	3.4	3768					408	62	2.10	3.8			3361			364	62					2.40	4.4	2937	318	62							2.70			8.3	1637	113.10	13	0.90	GK79 GKF79 GKA79 GKAF79	6P	8.0	1693	174.19	27	1.55	GK79 GKF79 GKA79 GKAF79	4P	9.7	1399	96.66	15	1.05	11	1283	88.61	16	1.10	12	1126	77.76	17	1.30	10	1310	134.74	16	1.15	11	1244	128.00	16	1.20	12	1099	113.10	17	1.35	14	940	96.66	17	1.55	16	861	88.61	18	1.70	18	756	77.76	18	1.95	19	716	73.69	18	2.10	22	627	64.49	18	2.40	24	565	58.10	19	2.60	27	495	50.97	19	3.00	31	437	44.98	19	3.40	35	388	39.88	19	3.80																					
0.39	33327	3609	171	1.50	GK189R99 GKA189R99	4P	4.8	2706	293	26	1.00	GK89R59 GKF89R59 GKA89R59 GKAF89R59	4P																																																																																																																																																																																																																																																																																																																																																																																																																																																																																																																																																										
0.46	28276	3062	171	1.80			0.56	23262	2519	171	2.20					0.62	20944	2268	171	2.50	GK169R99 GKA169R99	4P		5.6	2309		250	26	1.15	GK109 GKF109 GKA109 GKAF109	8P	0.34	37668	4079	135	0.85	0.41	31176	3376	135	1.05	0.51	25441	2755	135			1.30	0.64	20150			2182	135					1.60		0.82	15736		1704			135	2.10	GK169R99 GKA169R99	4P	7.0	1856	201	62	1.45	GK109 GKF109 GKA109 GKAF109	8P	0.99	13002	1408	135	2.50	1.08	11968	1296	135	2.70	0.60	21452	2323	105		0.80	GK159R99 GKF159R99 GKA159R99 GKAF159R99		4P	4.4	3066	153.21	38	1.35	GK99 GKF99 GKA99 GKAF99			8P	0.84	15320	1659	108	1.10	1.0	12605	1365	109	1.35	1.1	11349	1229	109	1.50	1.3	10093	1093	110	1.70							1.5	8699	942	110	1.95			GK159R99 GKF159R99 GKA159R99 GKAF159R99			4P			5.3	2549	176.05	38	1.55	GK99 GKF99 GKA99 GKAF99	6P	1.6	7877	853	110	2.15	2.5	5236	567	110	3.25	2.8	4654	504	111	3.65	GK129R89 GKF129R89 GKA129R89 GKAF129R89	4P	6.1	2218	153.21		38	1.80	GK89 GKF89 GKA89 GKAF89	6P		2.6	4977	539	78	2.50	3.3	3878	420	78			3.15	3.8	3398	368	78	3.65	0.80	16225	1757			70	0.80	GK129R79 GKF129R79 GKA129R79 GKAF129R79	4P	6.7					2031	140.28	38					1.95	GK99 GKF99 GKA99 GKAF99	4P	0.91	14230					1541	74	0.90	1.0			12393	1342			76	1.05	1.2	10869	1177			76	1.20			1.4	9465	1025	77	1.40			1.6	8302					899	77	1.60	1.8			7295			790	78	1.80	2.0	6501	704	78	2.00	2.3	5633	610	78	2.35	2.6	5070			549	78	2.55	2.9	4405			477	78	3.00	3.3	3869	419	78	3.45	1.4	9512	1030	62	0.85			GK109R79 GKF109R79 GKA109R79 GKAF109R79	4P	7.6			1794	123.93	38	2.20					GK89 GKF89 GKA89 GKAF89	4P			1.5	8348	904			62	0.95	1.8	7323									793	62	1.10					2.0	6427					696	62	1.25	2.3	5670	614			62	1.40	2.7	4820	522			62	1.65	3.0	4257	461	62	1.90	3.4	3768	408	62	2.10	3.8	3361	364	62	2.40	4.4	2937	318	62	2.70	8.3	1637	113.10	13	0.90	GK79 GKF79 GKA79 GKAF79	6P	8.0	1693	174.19	27	1.55	GK79 GKF79 GKA79 GKAF79	4P	9.7	1399	96.66	15		1.05	11		1283	88.61	16	1.10	12	1126	77.76			17	1.30					10	1310	134.74	16	1.15							11			1244	128.00	16	1.20	12			1099	113.10	17	1.35	14			940	96.66	17	1.55	16	861	88.61	18	1.70	18	756	77.76	18	1.95	19	716	73.69	18	2.10	22	627	64.49	18	2.40	24	565	58.10	19	2.60	27	495	50.97	19	3.00	31	437	44.98	19	3.40	35	388	39.88	19	3.80																																																				
0.56	23262	2519	171	2.20			0.62	20944	2268	171	2.50			GK169R99 GKA169R99	4P	5.6	2309	250	26	1.15			GK109 GKF109 GKA109 GKAF109	8P	0.34	37668	4079	135	0.85			0.41	31176	3376	135	1.05	0.51	25441	2755	135	1.30	0.64	20150	2182	135			1.60	0.82	15736			1704	135		2.10	GK169R99 GKA169R99		4P		7.0	1856		201	62	1.45	GK109 GKF109 GKA109 GKAF109	8P			0.99	13002	1408	135	2.50			1.08	11968	1296	135	2.70	0.60	21452	2323	105	0.80	GK159R99 GKF159R99 GKA159R99 GKAF159R99	4P	4.4	3066	153.21	38		1.35		GK99 GKF99 GKA99 GKAF99	8P	0.84	15320	1659		108	1.10		1.0	12605	1365	109	1.35	1.1	11349	1229	109	1.50	1.3	10093	1093	110	1.70	1.5	8699	942	110	1.95			GK159R99 GKF159R99 GKA159R99 GKAF159R99	4P			5.3	2549	176.05	38	1.55	GK99 GKF99 GKA99 GKAF99	6P							1.6	7877	853	110	2.15			2.5	5236	567	110	3.25	2.8	4654	504	111	3.65	GK129R89 GKF129R89 GKA129R89 GKAF129R89	4P	6.1	2218	153.21			38	1.80	GK89 GKF89 GKA89 GKAF89	6P	2.6	4977			539	78	2.50	3.3	3878	420	78	3.15	3.8	3398	368	78	3.65	0.80	16225	1757	70	0.80	GK129R79 GKF129R79 GKA129R79 GKAF129R79	4P	6.7	2031	140.28	38	1.95			GK99 GKF99 GKA99 GKAF99			4P	0.91	14230	1541	74					0.90			1.0	12393					1342	76	1.05	1.2			10869	1177			76	1.20	1.4	9465	1025			77	1.40			1.6	8302	899	77	1.60			1.8	7295					790	78	1.80	2.0			6501			704	78	2.00	2.3	5633	610	78	2.35	2.6	5070	549	78	2.55	2.9	4405			477	78	3.00	3.3	3869			419	78	3.45	1.4	9512	1030	62	0.85	GK109R79 GKF109R79 GKA109R79 GKAF109R79	4P	7.6	1794	123.93					38			2.20	GK89 GKF89 GKA89 GKAF89	4P	1.5									8348	904	62			0.95	1.8	7323	793									62	1.10	2.0					6427	696					62	1.25	2.3	5670	614	62			1.40	2.7	4820	522	62			1.65	3.0	4257	461	62	1.90	3.4	3768	408	62	2.10	3.8	3361	364	62	2.40	4.4	2937	318	62	2.70	8.3	1637	113.10	13	0.90	GK79 GKF79 GKA79 GKAF79			6P	8.0	1693	174.19	27			1.55	GK79 GKF79 GKA79 GKAF79	4P	9.7	1399	96.66	15	1.05	11	1283	88.61	16	1.10	12	1126	77.76	17	1.30	10					1310	134.74	16	1.15	11	1244	128.00					16	1.20	12	1099	113.10	17	1.35	14			940	96.66	17	1.55	16			861	88.61	18	1.70	18	756	77.76	18	1.95	19	716	73.69	18	2.10	22	627	64.49	18	2.40	24	565	58.10	19	2.60	27	495	50.97	19	3.00	31	437	44.98	19	3.40	35	388	39.88	19	3.80																																																									
0.62	20944	2268	171	2.50	GK169R99 GKA169R99	4P	5.6	2309	250	26	1.15	GK109 GKF109 GKA109 GKAF109	8P																																																																																																																																																																																																																																																																																																																																																																																																																																																																																																																																																										
0.34	37668	4079	135	0.85			0.41	31176	3376	135	1.05					0.51	25441	2755	135	1.30					0.64	20150	2182	135	1.60			0.82	15736	1704	135	2.10	GK169R99 GKA169R99	4P	7.0	1856	201	62	1.45	GK109 GKF109 GKA109 GKAF109	8P	0.99	13002	1408	135	2.50	1.08	11968	1296	135	2.70	0.60		21452		2323	105	0.80	GK159R99 GKF159R99 GKA159R99 GKAF159R99	4P	4.4	3066			153.21	38	1.35	GK99 GKF99 GKA99 GKAF99	8P	0.84	15320	1659	108	1.10	1.0	12605	1365	109	1.35	1.1	11349	1229	109			1.50	1.3	10093	1093		110				1.70	1.5	8699		942	110		1.95	GK159R99 GKF159R99 GKA159R99 GKAF159R99	4P	5.3	2549	176.05	38	1.55	GK99 GKF99 GKA99 GKAF99	6P	1.6	7877	853	110	2.15	2.5	5236	567	110	3.25	2.8	4654			504	111	3.65	GK129R89 GKF129R89 GKA129R89 GKAF129R89	4P	6.1	2218			153.21	38	1.80	GK89 GKF89 GKA89 GKAF89	6P	2.6	4977	539	78	2.50	3.3	3878	420	78	3.15	3.8	3398	368	78	3.65	0.80	16225	1757			70	0.80	GK129R79 GKF129R79 GKA129R79 GKAF129R79			4P	6.7			2031	140.28			38	1.95	GK99 GKF99 GKA99 GKAF99	4P	0.91	14230	1541	74	0.90	1.0	12393	1342	76	1.05	1.2	10869	1177	76			1.20	1.4	9465	1025	77				1.40	1.6		8302	899	77	1.60	1.8	7295	790	78	1.80			2.0	6501	704			78	2.00	2.3	5633	610			78	2.35			2.6	5070	549	78	2.55			2.9	4405			477	78	3.00	3.3	3869			419	78		3.45	1.4		9512	1030	62	0.85	GK109R79 GKF109R79 GKA109R79 GKAF109R79	4P	7.6			1794	123.93	38	2.20	GK89 GKF89 GKA89 GKAF89	4P	1.5	8348	904	62	0.95	1.8	7323	793	62	1.10	2.0	6427	696	62	1.25	2.3	5670	614	62	1.40	2.7	4820	522	62	1.65	3.0			4257	461	62					1.90			3.4			3768									408	62	2.10			3.8	3361	364	62									2.40	4.4	2937					318	62					2.70	8.3	1637	113.10	13	0.90			GK79 GKF79 GKA79 GKAF79	6P	8.0	1693	174.19			27	1.55	GK79 GKF79 GKA79 GKAF79	4P	9.7	1399	96.66	15	1.05	11	1283	88.61	16	1.10	12	1126	77.76	17	1.30	10	1310	134.74	16	1.15	11	1244					128.00	16	1.20	12			1099			113.10	17	1.35	14	940	96.66	17	1.55	16	861	88.61	18	1.70	18	756	77.76	18	1.95	19	716	73.69	18	2.10	22	627	64.49	18	2.40	24	565	58.10	19	2.60	27	495	50.97	19	3.00	31	437	44.98	19	3.40	35	388	39.88	19	3.80																																																																																																
0.41	31176	3376	135	1.05			0.51	25441	2755	135	1.30					0.64	20150	2182	135	1.60					0.82	15736	1704	135	2.10			GK169R99 GKA169R99	4P	7.0	1856	201			62	1.45	GK109 GKF109 GKA109 GKAF109	8P	0.99			13002	1408	135	2.50	1.08	11968	1296	135	2.70	0.60	21452	2323	105	0.80	GK159R99 GKF159R99 GKA159R99 GKAF159R99	4P	4.4			3066	153.21	38	1.35	GK99 GKF99 GKA99 GKAF99	8P	0.84			15320	1659	108	1.10	1.0	12605	1365	109	1.35	1.1	11349	1229	109	1.50			1.3	10093	1093	110		1.70				1.5	8699	942		110	1.95		GK159R99 GKF159R99 GKA159R99 GKAF159R99			4P	5.3	2549	176.05	38			1.55	GK99 GKF99 GKA99 GKAF99	6P	1.6	7877	853	110	2.15	2.5	5236	567	110	3.25	2.8	4654	504	111			3.65	GK129R89 GKF129R89 GKA129R89 GKAF129R89	4P	6.1	2218	153.21	38			1.80	GK89 GKF89 GKA89 GKAF89	6P	2.6	4977	539	78	2.50	3.3	3878	420	78	3.15	3.8	3398	368	78	3.65			0.80	16225					1757			70	0.80			GK129R79 GKF129R79 GKA129R79 GKAF129R79	4P			6.7	2031	140.28	38	1.95	GK99 GKF99 GKA99 GKAF99	4P	0.91	14230	1541	74	0.90	1.0	12393			1342	76	1.05	1.2	10869				1177	76		1.20	1.4	9465	1025	77	1.40	1.6	8302	899			77	1.60	1.8			7295	790	78	1.80	2.0			6501	704			78	2.00	2.3	5633	610			78	2.35			2.6	5070	549	78	2.55			2.9	4405		477	78		3.00	3.3	3869	419			78			3.45	1.4	9512	1030			62	0.85	GK109R79 GKF109R79 GKA109R79 GKAF109R79	4P	7.6	1794	123.93	38	2.20	GK89 GKF89 GKA89 GKAF89	4P	1.5	8348	904	62	0.95	1.8	7323	793	62	1.10	2.0	6427	696	62	1.25			2.3	5670	614					62	1.40	2.7	4820			522		62	1.65						3.0	4257	461			62	1.90	3.4	3768									408	62	2.10					3.8	3361					364	62	2.40	4.4	2937	318					62	2.70	8.3			1637	113.10			13	0.90	GK79 GKF79 GKA79 GKAF79	6P	8.0	1693	174.19	27	1.55	GK79 GKF79 GKA79 GKAF79	4P	9.7	1399	96.66	15	1.05	11	1283	88.61	16	1.10	12					1126	77.76	17	1.30			10			1310	134.74	16	1.15	11	1244	128.00	16	1.20	12	1099	113.10	17	1.35	14	940	96.66	17	1.55	16	861	88.61	18	1.70	18	756	77.76	18	1.95	19	716	73.69	18	2.10	22	627	64.49	18	2.40	24	565	58.10	19	2.60	27	495	50.97	19	3.00	31	437	44.98	19	3.40	35	388	39.88	19	3.80																																																																																					
0.51	25441	2755	135	1.30			0.64	20150	2182	135	1.60					0.82	15736	1704	135	2.10	GK169R99 GKA169R99	4P			7.0	1856	201	62	1.45	GK109 GKF109 GKA109 GKAF109	8P			0.99	13002	1408			135	2.50			1.08			11968	1296	135	2.70	0.60	21452	2323	105	0.80	GK159R99 GKF159R99 GKA159R99 GKAF159R99	4P	4.4	3066	153.21			38			1.35	GK99 GKF99 GKA99 GKAF99	8P	0.84			15320			1659	108	1.10	1.0	12605	1365	109	1.35	1.1	11349	1229	109	1.50	1.3			10093	1093	110	1.70	1.5	8699	942			110	1.95	GK159R99 GKF159R99 GKA159R99 GKAF159R99	4P	5.3	2549	176.05					38	1.55	GK99 GKF99 GKA99 GKAF99	6P			1.6			7877	853	110	2.15	2.5	5236	567	110	3.25	2.8	4654	504	111	3.65			GK129R89 GKF129R89 GKA129R89 GKAF129R89			4P	6.1	2218	153.21			38			1.80	GK89 GKF89 GKA89 GKAF89	6P	2.6	4977	539	78	2.50	3.3	3878	420	78	3.15	3.8	3398			368	78		3.65	0.80		16225			1757	70	0.80	GK129R79 GKF129R79 GKA129R79 GKAF129R79					4P	6.7	2031	140.28	38			1.95	GK99 GKF99 GKA99 GKAF99	4P	0.91	14230	1541	74			0.90	1.0	12393	1342	76				1.05	1.2		10869	1177	76	1.20	1.4	9465	1025	77	1.40			1.6	8302	899			77	1.60	1.8	7295	790			78	1.80			2.0	6501	704	78	2.00			2.3	5633			610	78	2.35	2.6	5070			549	78		2.55	2.9		4405	477	78	3.00			3.3			3869	419	78	3.45			1.4	9512			1030	62	0.85	GK109R79 GKF109R79 GKA109R79 GKAF109R79	4P			7.6	1794	123.93	38	2.20	GK89 GKF89 GKA89 GKAF89	4P	1.5	8348	904	62	0.95	1.8	7323	793			62	1.10	2.0	6427	696			62	1.25	2.3	5670			614	62	1.40	2.7	4820					522	62	1.65	3.0	4257	461	62	1.90	3.4				3768	408				62	2.10	3.8					3361	364					62	2.40	4.4	2937	318	62					2.70	8.3	1637			113.10	13			0.90	GK79 GKF79 GKA79 GKAF79			6P	8.0	1693	174.19	27			1.55	GK79 GKF79 GKA79 GKAF79	4P	9.7	1399	96.66	15	1.05	11	1283	88.61		16	1.10		12	1126	77.76	17	1.30	10	1310			134.74	16	1.15	11	1244	128.00	16	1.20	12	1099	113.10	17	1.35	14	940	96.66	17	1.55	16	861	88.61	18	1.70	18	756	77.76	18	1.95	19	716	73.69	18	2.10	22	627	64.49	18	2.40	24	565	58.10	19	2.60	27	495	50.97	19	3.00	31	437	44.98	19	3.40	35	388	39.88	19	3.80																																																																																						
0.64	20150	2182	135	1.60			0.82	15736	1704	135	2.10			GK169R99 GKA169R99	4P	7.0	1856	201	62	1.45			GK109 GKF109 GKA109 GKAF109	8P	0.99	13002	1408	135	2.50					1.08	11968	1296	135	2.70	0.60	21452			2323	105	0.80	GK159R99 GKF159R99 GKA159R99 GKAF159R99	4P	4.4	3066	153.21	38	1.35	GK99 GKF99 GKA99 GKAF99	8P			0.84	15320	1659			108			1.10			1.0			12605			1365	109	1.35	1.1	11349	1229	109	1.50	1.3	10093	1093	110	1.70	1.5	8699	942	110	1.95	GK159R99 GKF159R99 GKA159R99 GKAF159R99	4P	5.3	2549	176.05	38	1.55	GK99 GKF99 GKA99 GKAF99	6P			1.6	7877	853		110	2.15		2.5	5236			567	110	3.25			2.8	4654	504	111	3.65	GK129R89 GKF129R89 GKA129R89 GKAF129R89	4P	6.1	2218	153.21	38	1.80	GK89 GKF89 GKA89 GKAF89	6P							2.6	4977	539			78			2.50			3.3	3878	420	78	3.15	3.8	3398	368	78	3.65	0.80	16225	1757	70	0.80	GK129R79 GKF129R79 GKA129R79 GKAF129R79		4P	6.7		2031	140.28	38	1.95	GK99 GKF99 GKA99 GKAF99	4P							0.91	14230	1541	74			0.90			1.0	12393	1342	76			1.05	1.2	10869	1177	76				1.20	1.4		9465	1025	77	1.40	1.6	8302	899	77	1.60			1.8	7295	790			78	1.80	2.0	6501	704			78	2.00			2.3	5633	610	78	2.35			2.6	5070			549	78	2.55	2.9	4405			477	78		3.00	3.3		3869	419	78	3.45			1.4			9512	1030	62	0.85			GK109R79 GKF109R79 GKA109R79 GKAF109R79	4P			7.6	1794	123.93					38	2.20	GK89 GKF89 GKA89 GKAF89	4P	1.5			8348	904	62	0.95	1.8	7323	793	62			1.10	2.0	6427	696	62			1.25	2.3	5670	614			62	1.40	2.7	4820	522			62	1.65	3.0	4257	461	62	1.90	3.4	3768	408	62				2.10	3.8		3361	364	62	2.40	4.4	2937	318			62	2.70		8.3	1637		113.10	13	0.90	GK79 GKF79 GKA79 GKAF79	6P	8.0					1693	174.19	27			1.55	GK79 GKF79 GKA79 GKAF79			4P					9.7	1399	96.66	15			1.05			11	1283	88.61	16	1.10	12	1126	77.76	17	1.30	10	1310	134.74	16	1.15	11	1244	128.00	16	1.20	12	1099	113.10	17	1.35	14	940	96.66	17	1.55	16	861	88.61	18	1.70	18	756	77.76	18	1.95	19	716	73.69	18	2.10	22	627	64.49	18	2.40	24	565	58.10	19	2.60	27	495	50.97	19	3.00	31	437	44.98	19	3.40	35	388	39.88	19	3.80																																																																																															
0.82	15736	1704	135	2.10	GK169R99 GKA169R99	4P	7.0	1856	201	62	1.45	GK109 GKF109 GKA109 GKAF109	8P																																																																																																																																																																																																																																																																																																																																																																																																																																																																																																																																																										
0.99	13002	1408	135	2.50			1.08	11968	1296	135	2.70					0.60	21452	2323	105	0.80	GK159R99 GKF159R99 GKA159R99 GKAF159R99	4P			4.4	3066	153.21	38	1.35	GK99 GKF99 GKA99 GKAF99	8P	0.84	15320	1659	108	1.10	1.0	12605	1365	109	1.35	1.1	11349	1229	109			1.50	1.3	10093	1093	110					1.70	1.5	8699			942	110	1.95	GK159R99 GKF159R99 GKA159R99 GKAF159R99			4P			5.3	2549	176.05	38	1.55	GK99 GKF99 GKA99 GKAF99	6P	1.6	7877	853	110	2.15	2.5	5236	567	110	3.25	2.8	4654	504	111			3.65	GK129R89 GKF129R89 GKA129R89 GKAF129R89	4P	6.1	2218			153.21	38	1.80	GK89 GKF89 GKA89 GKAF89	6P	2.6	4977	539	78	2.50	3.3	3878	420	78	3.15	3.8	3398	368	78	3.65	0.80	16225	1757			70	0.80	GK129R79 GKF129R79 GKA129R79 GKAF129R79	4P	6.7			2031	140.28					38	1.95	GK99 GKF99 GKA99 GKAF99	4P	0.91	14230			1541			74	0.90	1.0	12393	1342	76	1.05	1.2	10869	1177	76	1.20	1.4	9465	1025				77		1.40	1.6	8302	899									77	1.60	1.8	7295			790			78	1.80	2.0	6501			704	78	2.00	2.3	5633				610	78		2.35	2.6	5070	549	78	2.55	2.9	4405	477			78	3.00	3.3			3869	419	78	3.45	1.4			9512	1030			62	0.85	GK109R79 GKF109R79 GKA109R79 GKAF109R79	4P	7.6			1794	123.93			38	2.20	GK89 GKF89 GKA89 GKAF89	4P	1.5			8348	904		62	0.95		1.8	7323	793	62			1.10			2.0	6427	696	62							1.25	2.3	5670					614	62			1.40			2.7	4820	522	62	1.65	3.0	4257	461			62	1.90	3.4	3768	408			62	2.10	3.8	3361			364	62	2.40	4.4	2937			318	62	2.70	8.3	1637	113.10	13	0.90	GK79 GKF79 GKA79 GKAF79	6P	8.0	1693	174.19	27	1.55	GK79 GKF79 GKA79 GKAF79	4P	9.7	1399	96.66	15	1.05	11	1283	88.61	16	1.10	12	1126	77.76	17	1.30	10	1310	134.74			16	1.15	11	1244	128.00	16	1.20	12	1099	113.10	17		1.35	14						940	96.66	17	1.55			16			861	88.61	18	1.70	18	756	77.76	18	1.95	19	716	73.69	18	2.10	22	627	64.49	18	2.40	24	565	58.10	19	2.60	27	495	50.97	19	3.00	31	437	44.98	19	3.40	35	388	39.88	19	3.80																																																																																																																														
1.08	11968	1296	135	2.70			0.60	21452	2323	105	0.80			GK159R99 GKF159R99 GKA159R99 GKAF159R99	4P	4.4	3066	153.21	38	1.35			GK99 GKF99 GKA99 GKAF99	8P	0.84	15320	1659	108	1.10			1.0	12605	1365	109	1.35	1.1	11349	1229	109	1.50	1.3	10093	1093	110			1.70	1.5	8699	942	110					1.95	GK159R99 GKF159R99 GKA159R99 GKAF159R99	4P	5.3	2549	176.05	38	1.55					GK99 GKF99 GKA99 GKAF99	6P	1.6	7877	853	110	2.15			2.5	5236	567	110	3.25	2.8	4654	504	111	3.65	GK129R89 GKF129R89 GKA129R89 GKAF129R89	4P	6.1	2218	153.21	38	1.80			GK89 GKF89 GKA89 GKAF89	6P	2.6	4977	539	78	2.50			3.3	3878	420	78	3.15	3.8	3398	368	78	3.65	0.80	16225	1757	70	0.80	GK129R79 GKF129R79 GKA129R79 GKAF129R79	4P	6.7			2031	140.28			38			1.95	GK99 GKF99 GKA99 GKAF99		4P	0.91		14230	1541			74	0.90	1.0	12393	1342			76	1.05	1.2	10869	1177	76	1.20	1.4	9465	1025	77	1.40	1.6	8302	899				77		1.60	1.8	7295	790									78	1.80	2.0	6501			704			78	2.00	2.3	5633			610	78	2.35	2.6	5070				549	78		2.55	2.9	4405	477	78	3.00	3.3	3869	419			78	3.45	1.4			9512	1030	62	0.85	GK109R79 GKF109R79 GKA109R79 GKAF109R79			4P	7.6			1794	123.93			38			2.20	GK89 GKF89 GKA89 GKAF89			4P	1.5			8348			904	62		0.95	1.8		7323	793	62	1.10			2.0			6427	696	62	1.25							2.3	5670	614					62	1.40			2.7			4820	522	62	1.65	3.0	4257	461	62			1.90	3.4	3768	408	62			2.10	3.8	3361	364			62	2.40	4.4	2937	318			62	2.70	8.3	1637	113.10	13	0.90	GK79 GKF79 GKA79 GKAF79			6P	8.0	1693	174.19	27			1.55	GK79 GKF79 GKA79 GKAF79	4P	9.7	1399	96.66	15	1.05	11	1283	88.61	16	1.10	12	1126	77.76	17	1.30			10	1310	134.74	16	1.15	11	1244	128.00	16	1.20	12		1099	113.10			17	1.35		14	940	96.66	17	1.55	16	861			88.61	18	1.70	18	756	77.76	18	1.95	19	716	73.69	18	2.10	22	627	64.49	18	2.40	24	565	58.10	19	2.60	27	495	50.97	19	3.00	31	437	44.98	19	3.40	35	388	39.88	19	3.80																																																																																																																															
0.60	21452	2323	105	0.80	GK159R99 GKF159R99 GKA159R99 GKAF159R99	4P	4.4	3066	153.21	38	1.35	GK99 GKF99 GKA99 GKAF99	8P																																																																																																																																																																																																																																																																																																																																																																																																																																																																																																																																																										
0.84	15320	1659	108	1.10			1.0	12605	1365	109	1.35					1.1	11349	1229	109	1.50					1.3	10093	1093	110	1.70			1.5	8699	942	110	1.95	GK159R99 GKF159R99 GKA159R99 GKAF159R99	4P	5.3	2549	176.05	38	1.55	GK99 GKF99 GKA99 GKAF99	6P	1.6	7877	853	110	2.15	2.5	5236	567	110	3.25	2.8	4654			504	111	3.65	GK129R89 GKF129R89 GKA129R89 GKAF129R89	4P	6.1	2218	153.21	38			1.80	GK89 GKF89 GKA89 GKAF89	6P	2.6	4977	539	78	2.50	3.3	3878	420	78	3.15	3.8	3398	368	78			3.65	0.80	16225	1757	70					0.80	GK129R79 GKF129R79 GKA129R79 GKAF129R79	4P	6.7	2031			140.28	38	1.95	GK99 GKF99 GKA99 GKAF99	4P	0.91	14230	1541	74	0.90	1.0	12393	1342	76	1.05			1.2	10869	1177	76	1.20			1.4	9465	1025	77		1.40		1.6	8302	899	77			1.60	1.8	7295	790	78	1.80	2.0	6501	704	78	2.00	2.3	5633	610	78	2.35	2.6	5070	549	78	2.55	2.9				4405		477	78	3.00	3.3									3869	419	78	3.45			1.4			9512	1030	62	0.85			GK109R79 GKF109R79 GKA109R79 GKAF109R79	4P	7.6	1794	123.93				38	2.20		GK89 GKF89 GKA89 GKAF89	4P	1.5	8348	904	62	0.95	1.8	7323			793	62	1.10	2.0	6427	696	62	1.25	2.3		5670	614		62	1.40	2.7	4820	522			62	1.65	3.0	4257					461			62			1.90	3.4		3768	408		62	2.10	3.8	3361			364			62	2.40	4.4	2937							318	62	2.70					8.3	1637			113.10			13	0.90	GK79 GKF79 GKA79 GKAF79	6P	8.0	1693	174.19	27	1.55	GK79 GKF79 GKA79 GKAF79	4P	9.7	1399	96.66	15	1.05	11	1283	88.61	16	1.10	12	1126	77.76	17	1.30	10	1310	134.74	16	1.15	11	1244	128.00	16	1.20	12					1099	113.10	17	1.35			14			940	96.66	17	1.55	16	861	88.61	18	1.70	18	756	77.76	18	1.95	19	716	73.69	18	2.10	22	627	64.49	18	2.40	24	565	58.10	19	2.60	27	495	50.97	19	3.00	31	437	44.98	19	3.40	35	388	39.88	19	3.80																																																																																																																																																																						
1.0	12605	1365	109	1.35			1.1	11349	1229	109	1.50					1.3	10093	1093	110	1.70					1.5	8699	942	110	1.95			GK159R99 GKF159R99 GKA159R99 GKAF159R99	4P	5.3	2549	176.05			38	1.55	GK99 GKF99 GKA99 GKAF99	6P	1.6			7877	853	110	2.15	2.5	5236	567	110	3.25	2.8	4654	504	111	3.65	GK129R89 GKF129R89 GKA129R89 GKAF129R89	4P	6.1			2218	153.21	38	1.80	GK89 GKF89 GKA89 GKAF89	6P	2.6			4977	539	78	2.50	3.3	3878	420	78	3.15	3.8	3398	368	78	3.65			0.80	16225	1757	70	0.80					GK129R79 GKF129R79 GKA129R79 GKAF129R79			4P	6.7			2031	140.28	38			1.95	GK99 GKF99 GKA99 GKAF99	4P	0.91	14230	1541	74	0.90	1.0	12393			1342	76	1.05	1.2	10869			1177	76	1.20	1.4		9465		1025	77	1.40	1.6			8302	899	77	1.60	1.8	7295	790	78	1.80	2.0	6501	704	78	2.00	2.3	5633	610	78	2.35	2.6	5070	549				78		2.55	2.9	4405	477									78	3.00	3.3	3869			419			78	3.45	1.4	9512					1030	62	0.85				GK109R79 GKF109R79 GKA109R79 GKAF109R79	4P				7.6	1794	123.93	38	2.20	GK89 GKF89 GKA89 GKAF89	4P			1.5	8348	904	62	0.95	1.8	7323	793	62		1.10	2.0		6427	696	62	1.25	2.3			5670	614	62	1.40		2.7	4820		522			62	1.65	3.0	4257	461		62	1.90		3.4	3768	408	62			2.10			3.8	3361	364	62							2.40	4.4	2937					318	62			2.70			8.3	1637			113.10	13	0.90	GK79 GKF79 GKA79 GKAF79	6P			8.0	1693	174.19	27	1.55	GK79 GKF79 GKA79 GKAF79	4P	9.7	1399	96.66	15	1.05	11	1283	88.61	16	1.10	12	1126	77.76	17	1.30	10	1310	134.74	16					1.15	11	1244	128.00			16			1.20	12	1099	113.10	17	1.35	14	940	96.66	17	1.55	16	861	88.61	18	1.70	18	756	77.76	18	1.95	19	716	73.69	18	2.10	22	627	64.49	18	2.40	24	565	58.10	19	2.60	27	495	50.97	19	3.00	31	437	44.98	19	3.40	35	388	39.88	19	3.80																																																																																																																																																															
1.1	11349	1229	109	1.50			1.3	10093	1093	110	1.70					1.5	8699	942	110	1.95	GK159R99 GKF159R99 GKA159R99 GKAF159R99	4P			5.3	2549	176.05	38	1.55	GK99 GKF99 GKA99 GKAF99	6P			1.6	7877	853			110	2.15			2.5			5236	567	110	3.25	2.8	4654	504	111	3.65	GK129R89 GKF129R89 GKA129R89 GKAF129R89	4P	6.1	2218	153.21			38			1.80	GK89 GKF89 GKA89 GKAF89	6P	2.6			4977			539	78	2.50	3.3	3878	420	78	3.15	3.8	3398	368	78	3.65	0.80			16225	1757	70	0.80	GK129R79 GKF129R79 GKA129R79 GKAF129R79	4P	6.7							2031	140.28	38	1.95	GK99 GKF99 GKA99 GKAF99	4P			0.91			14230	1541	74	0.90	1.0	12393	1342			76	1.05	1.2	10869	1177			76	1.20	1.4	9465		1025		77	1.40	1.6	8302			899	77	1.60	1.8	7295	790	78	1.80	2.0	6501	704	78	2.00	2.3	5633	610	78	2.35	2.6	5070	549	78				2.55		2.9	4405	477	78									3.00	3.3	3869	419			78			3.45	1.4	9512	1030					62	0.85	GK109R79 GKF109R79 GKA109R79 GKAF109R79									4P	7.6	1794	123.93	38					2.20	GK89 GKF89 GKA89 GKAF89	4P	1.5	8348	904	62	0.95	1.8		7323	793		62	1.10	2.0	6427	696			62	1.25	2.3	5670		614	62		1.40			2.7	4820	522	62	1.65	3.0	4257	461	62	1.90	3.4	3768	408	62	2.10	3.8	3361	364	62	2.40	4.4	2937	318	62					2.70	8.3	1637					113.10	13			0.90			GK79 GKF79 GKA79 GKAF79	6P			8.0	1693	174.19					27	1.55	GK79 GKF79 GKA79 GKAF79	4P	9.7			1399	96.66	15	1.05	11	1283	88.61	16	1.10	12	1126	77.76	17	1.30	10	1310	134.74	16	1.15		11	1244		128.00	16	1.20	12	1099	113.10	17			1.35	14	940	96.66	17	1.55	16	861	88.61	18	1.70	18	756	77.76	18	1.95	19	716	73.69	18	2.10	22	627	64.49	18	2.40	24	565	58.10	19	2.60	27	495	50.97	19	3.00	31	437	44.98	19	3.40	35	388	39.88	19	3.80																																																																																																																																																																				
1.3	10093	1093	110	1.70			1.5	8699	942	110	1.95			GK159R99 GKF159R99 GKA159R99 GKAF159R99	4P	5.3	2549	176.05	38	1.55			GK99 GKF99 GKA99 GKAF99	6P	1.6	7877	853	110	2.15					2.5	5236	567	110	3.25	2.8	4654			504	111	3.65	GK129R89 GKF129R89 GKA129R89 GKAF129R89	4P	6.1	2218	153.21	38	1.80	GK89 GKF89 GKA89 GKAF89	6P			2.6	4977	539			78			2.50			3.3			3878			420	78	3.15	3.8	3398	368	78	3.65	0.80	16225	1757	70	0.80	GK129R79 GKF129R79 GKA129R79 GKAF129R79	4P	6.7	2031	140.28	38	1.95			GK99 GKF99 GKA99 GKAF99	4P	0.91					14230	1541	74	0.90					1.0			12393	1342	76	1.05	1.2	10869	1177			76	1.20	1.4	9465	1025			77	1.40	1.6	8302		899		77	1.60	1.8	7295			790	78	1.80	2.0	6501	704	78	2.00	2.3	5633	610	78	2.35	2.6	5070	549	78	2.55	2.9	4405	477	78				3.00		3.3	3869	419	78									3.45	1.4	9512	1030			62			0.85	GK109R79 GKF109R79 GKA109R79 GKAF109R79	4P	7.6					1794	123.93											38	2.20	GK89 GKF89 GKA89 GKAF89	4P					1.5			8348	904	62	0.95	1.8	7323		793	62		1.10	2.0	6427	696	62			1.25	2.3	5670	614		62	1.40		2.7			4820	522	62	1.65	3.0	4257	461	62	1.90	3.4	3768	408	62	2.10	3.8	3361	364	62	2.40	4.4	2937	318	62	2.70			8.3	1637	113.10	13	0.90			GK79 GKF79 GKA79 GKAF79	6P	8.0	1693			174.19							27	1.55	GK79 GKF79 GKA79 GKAF79					4P	9.7			1399			96.66	15	1.05	11	1283	88.61	16	1.10	12	1126	77.76	17	1.30	10	1310	134.74	16	1.15	11	1244	128.00	16	1.20	12	1099	113.10	17	1.35	14	940	96.66	17	1.55	16	861	88.61	18	1.70	18	756	77.76	18	1.95	19	716	73.69	18	2.10	22	627	64.49	18	2.40	24	565	58.10	19	2.60	27	495	50.97	19	3.00	31	437	44.98	19	3.40	35	388	39.88	19	3.80																																																																																																																																																																									
1.5	8699	942	110	1.95	GK159R99 GKF159R99 GKA159R99 GKAF159R99	4P	5.3	2549	176.05	38	1.55	GK99 GKF99 GKA99 GKAF99	6P																																																																																																																																																																																																																																																																																																																																																																																																																																																																																																																																																										
1.6	7877	853	110	2.15			2.5	5236	567	110	3.25					2.8	4654	504	111	3.65	GK129R89 GKF129R89 GKA129R89 GKAF129R89	4P			6.1	2218	153.21	38	1.80	GK89 GKF89 GKA89 GKAF89	6P	2.6	4977	539	78	2.50	3.3	3878	420	78	3.15	3.8	3398	368	78			3.65	0.80	16225	1757	70					0.80	GK129R79 GKF129R79 GKA129R79 GKAF129R79	4P			6.7	2031	140.28	38			1.95			GK99 GKF99 GKA99 GKAF99	4P	0.91	14230	1541	74	0.90	1.0	12393	1342	76	1.05	1.2	10869	1177	76			1.20	1.4	9465	1025	77					1.40					1.6	8302	899	77					1.60			1.8	7295	790	78	1.80	2.0	6501			704	78	2.00	2.3	5633			610	78	2.35	2.6		5070		549	78	2.55	2.9			4405	477	78	3.00	3.3	3869	419	78	3.45	1.4	9512	1030	62	0.85	GK109R79 GKF109R79 GKA109R79 GKAF109R79	4P	7.6	1794	123.93	38	2.20	GK89 GKF89 GKA89 GKAF89				4P		1.5	8348	904	62									0.95	1.8	7323	793			62			1.10			2.0	6427	696			62	1.25		2.3	5670	614			62				1.40	2.7					4820	522	62			1.65	3.0	4257	461	62	1.90		3.4	3768		408	62	2.10	3.8	3361			364	62	2.40	4.4		2937	318		62			2.70	8.3	1637	113.10	13	0.90	GK79 GKF79 GKA79 GKAF79	6P	8.0	1693	174.19	27	1.55	GK79 GKF79 GKA79 GKAF79	4P	9.7	1399	96.66	15	1.05	11	1283	88.61	16	1.10	12	1126	77.76	17	1.30	10	1310	134.74			16	1.15	11	1244	128.00	16	1.20			12	1099	113.10	17				1.35	14		940			96.66			17	1.55	16	861	88.61	18	1.70	18	756	77.76	18	1.95	19	716	73.69	18	2.10	22	627	64.49	18	2.40	24	565	58.10	19	2.60	27	495	50.97	19	3.00	31	437	44.98	19	3.40	35	388	39.88	19	3.80																																																																																																																																																																																																								
2.5	5236	567	110	3.25			2.8	4654	504	111	3.65			GK129R89 GKF129R89 GKA129R89 GKAF129R89	4P	6.1	2218	153.21	38	1.80			GK89 GKF89 GKA89 GKAF89	6P	2.6	4977	539	78	2.50			3.3	3878	420	78	3.15	3.8	3398	368	78	3.65	0.80	16225	1757	70			0.80	GK129R79 GKF129R79 GKA129R79 GKAF129R79	4P	6.7	2031					140.28			38	1.95	GK99 GKF99 GKA99 GKAF99	4P	0.91	14230			1541	74	0.90			1.0	12393	1342	76	1.05	1.2	10869	1177	76	1.20	1.4	9465	1025	77			1.40	1.6	8302	899	77					1.60					1.8	7295	790	78					1.80			2.0	6501	704	78	2.00	2.3	5633			610	78	2.35	2.6	5070			549	78	2.55	2.9		4405		477	78	3.00	3.3			3869	419	78	3.45	1.4	9512	1030	62	0.85	GK109R79 GKF109R79 GKA109R79 GKAF109R79	4P	7.6	1794	123.93			38	2.20	GK89 GKF89 GKA89 GKAF89	4P	1.5							8348	904	62	0.95									1.8	7323	793	62			1.10			2.0			6427	696	62			1.25	2.3		5670	614	62			1.40				2.7	4820					522	62	1.65			3.0	4257	461	62	1.90	3.4		3768	408		62	2.10	3.8	3361	364			62	2.40	4.4	2937		318	62		2.70			8.3	1637	113.10	13	0.90	GK79 GKF79 GKA79 GKAF79			6P	8.0	1693	174.19	27			1.55	GK79 GKF79 GKA79 GKAF79	4P	9.7	1399	96.66	15	1.05	11	1283	88.61	16	1.10	12	1126	77.76	17	1.30			10	1310	134.74	16	1.15	11	1244			128.00	16	1.20	12		1099	113.10	17	1.35		14			940	96.66	17	1.55	16	861	88.61	18	1.70	18	756	77.76	18	1.95	19	716	73.69	18	2.10	22	627	64.49	18	2.40	24	565	58.10	19	2.60	27	495	50.97	19	3.00	31	437	44.98	19	3.40	35	388	39.88	19	3.80																																																																																																																																																																																																									
2.8	4654	504	111	3.65	GK129R89 GKF129R89 GKA129R89 GKAF129R89	4P	6.1	2218	153.21	38	1.80	GK89 GKF89 GKA89 GKAF89	6P																																																																																																																																																																																																																																																																																																																																																																																																																																																																																																																																																										
2.6	4977	539	78	2.50			3.3	3878	420	78	3.15					3.8	3398	368	78	3.65					0.80	16225	1757	70	0.80			GK129R79 GKF129R79 GKA129R79 GKAF129R79	4P	6.7	2031	140.28	38	1.95	GK99 GKF99 GKA99 GKAF99	4P	0.91	14230	1541	74	0.90	1.0	12393	1342			76	1.05	1.2	10869	1177	76	1.20			1.4	9465			1025	77	1.40	1.6	8302	899	77			1.60	1.8	7295	790	78	1.80	2.0	6501	704	78	2.00	2.3	5633	610			78	2.35	2.6	5070	549					78					2.55	2.9	4405	477					78			3.00	3.3	3869	419	78	3.45	1.4			9512	1030	62	0.85	GK109R79 GKF109R79 GKA109R79 GKAF109R79			4P	7.6	1794	123.93		38		2.20	GK89 GKF89 GKA89 GKAF89	4P	1.5			8348	904	62	0.95	1.8	7323	793	62	1.10			2.0	6427	696			62	1.25			2.3			5670			614	62	1.40	2.7	4820				522	62	1.65	3.0		4257	461	62	1.90	3.4	3768	408			62			2.10	3.8	3361			364	62		2.40	4.4	2937			318				62	2.70					8.3	1637	113.10			13	0.90	GK79 GKF79 GKA79 GKAF79	6P	8.0	1693	174.19	27	1.55	GK79 GKF79 GKA79 GKAF79	4P	9.7	1399	96.66	15	1.05	11	1283	88.61	16	1.10	12	1126	77.76	17	1.30	10	1310	134.74	16	1.15	11	1244					128.00	16	1.20	12			1099			113.10	17	1.35	14	940	96.66	17	1.55	16	861	88.61	18	1.70	18	756	77.76	18	1.95	19	716	73.69	18	2.10	22	627	64.49	18	2.40	24	565	58.10	19	2.60	27	495	50.97	19	3.00	31	437	44.98	19	3.40	35	388	39.88	19	3.80																																																																																																																																																																																																																																												
3.3	3878	420	78	3.15			3.8	3398	368	78	3.65					0.80	16225	1757	70	0.80					GK129R79 GKF129R79 GKA129R79 GKAF129R79	4P	6.7	2031	140.28					38	1.95	GK99 GKF99 GKA99 GKAF99	4P	0.91			14230	1541	74	0.90	1.0	12393	1342	76			1.05	1.2	10869	1177	76	1.20	1.4			9465	1025			77	1.40	1.6	8302	899	77	1.60			1.8	7295	790	78	1.80	2.0	6501	704	78	2.00	2.3	5633	610	78			2.35	2.6	5070	549	78					2.55					2.9	4405	477	78					3.00			3.3	3869	419	78	3.45	1.4	9512			1030	62	0.85	GK109R79 GKF109R79 GKA109R79 GKAF109R79					4P	7.6	1794		123.93		38			2.20			GK89 GKF89 GKA89 GKAF89	4P	1.5	8348	904	62	0.95	1.8	7323			793	62	1.10			2.0	6427			696			62			1.25	2.3	5670	614	62			1.40	2.7	4820	522	62	1.65	3.0	4257	461	62	1.90	3.4	3768	408	62	2.10			3.8	3361	364			62	2.40		4.4	2937	318			62				2.70	8.3					1637	113.10	13			0.90	GK79 GKF79 GKA79 GKAF79			6P	8.0	1693	174.19	27			1.55	GK79 GKF79 GKA79 GKAF79	4P	9.7	1399	96.66	15	1.05	11	1283	88.61	16	1.10	12	1126	77.76	17	1.30	10	1310	134.74	16					1.15	11	1244	128.00			16			1.20	12	1099	113.10	17	1.35	14	940	96.66	17	1.55	16	861	88.61	18	1.70	18	756	77.76	18	1.95	19	716	73.69	18	2.10	22	627	64.49	18	2.40	24	565	58.10	19	2.60	27	495	50.97	19	3.00	31	437	44.98	19	3.40	35	388	39.88	19	3.80																																																																																																																																																																																																																																									
3.8	3398	368	78	3.65			0.80	16225	1757	70	0.80					GK129R79 GKF129R79 GKA129R79 GKAF129R79	4P	6.7	2031	140.28	38	1.95					GK99 GKF99 GKA99 GKAF99	4P	0.91	14230	1541			74	0.90			1.0			12393	1342	76	1.05	1.2	10869	1177	76			1.20	1.4	9465	1025	77	1.40	1.6			8302	899			77	1.60	1.8	7295	790	78	1.80			2.0	6501	704	78	2.00	2.3	5633	610	78	2.35	2.6	5070	549	78			2.55	2.9	4405	477	78					3.00					3.3	3869	419	78					3.45			1.4	9512	1030	62	0.85	GK109R79 GKF109R79 GKA109R79 GKAF109R79	4P			7.6	1794	123.93							38	2.20		GK89 GKF89 GKA89 GKAF89		4P			1.5					8348	904	62	0.95	1.8	7323	793			62	1.10	2.0			6427	696			62		1.25	2.3	5670		614	62	1.40	2.7	4820	522	62	1.65	3.0	4257	461	62	1.90	3.4	3768	408	62	2.10	3.8	3361	364	62	2.40			4.4	2937	318	62	2.70	8.3	1637		113.10	13	0.90			GK79 GKF79 GKA79 GKAF79	6P	8.0		1693	174.19					27	1.55	GK79 GKF79 GKA79 GKAF79			4P					9.7	1399	96.66	15			1.05			11	1283	88.61	16	1.10	12	1126	77.76	17	1.30	10	1310	134.74	16	1.15	11	1244	128.00	16		1.20	12		1099	113.10	17	1.35	14	940	96.66			17	1.55	16	861	88.61	18	1.70	18	756	77.76	18	1.95	19	716	73.69	18	2.10	22	627	64.49	18	2.40	24	565	58.10	19	2.60	27	495	50.97	19	3.00	31	437	44.98	19	3.40	35	388	39.88	19	3.80																																																																																																																																																																																																																																																		
0.80	16225	1757	70	0.80			GK129R79 GKF129R79 GKA129R79 GKAF129R79	4P	6.7	2031	140.28			38	1.95			GK99 GKF99 GKA99 GKAF99	4P																																																																																																																																																																																																																																																																																																																																																																																																																																																																																																																																																				
0.91	14230	1541	74	0.90	1.0	12393			1342	76	1.05	1.2	10869	1177	76					1.20	1.4	9465	1025	77					1.40	1.6	8302			899	77			1.60			1.8	7295	790	78	1.80	2.0	6501	704			78	2.00	2.3	5633	610	78	2.35			2.6	5070			549	78	2.55	2.9	4405	477	78			3.00	3.3	3869	419	78	3.45	1.4	9512	1030	62	0.85	GK109R79 GKF109R79 GKA109R79 GKAF109R79	4P	7.6			1794	123.93	38	2.20	GK89 GKF89 GKA89 GKAF89					4P					1.5	8348	904	62					0.95			1.8	7323	793	62	1.10					2.0	6427	696			62	1.25			2.3	5670							614	62	1.40			2.7	4820	522	62	1.65	3.0	4257			461	62	1.90			3.4	3768			408		62	2.10	3.8		3361	364	62	2.40	4.4	2937	318	62	2.70	8.3	1637	113.10	13	0.90	GK79 GKF79 GKA79 GKAF79	6P	8.0	1693	174.19	27	1.55	GK79 GKF79 GKA79 GKAF79	4P			9.7	1399	96.66	15	1.05	11	1283	88.61	16	1.10	12	1126	77.76			17	1.30	10	1310			134.74	16	1.15	11		1244	128.00						16	1.20	12	1099			113.10			17	1.35	14	940	96.66	17	1.55	16	861	88.61	18	1.70	18	756	77.76	18	1.95	19	716	73.69	18	2.10	22	627	64.49	18	2.40	24	565	58.10	19	2.60	27	495	50.97	19	3.00	31	437	44.98	19	3.40	35	388	39.88	19	3.80																																																																																																																																																																																																																																																																													
1.0	12393	1342	76	1.05	1.2	10869			1177	76	1.20	1.4	9465	1025	77					1.40	1.6	8302	899	77					1.60	1.8	7295			790	78			1.80			2.0	6501	704	78	2.00	2.3	5633	610			78	2.35	2.6	5070	549	78	2.55			2.9	4405			477	78	3.00	3.3	3869	419	78			3.45	1.4	9512	1030	62	0.85	GK109R79 GKF109R79 GKA109R79 GKAF109R79	4P	7.6	1794	123.93			38			2.20	GK89 GKF89 GKA89 GKAF89	4P	1.5											8348	904	62	0.95					1.8			7323	793	62	1.10	2.0			6427	696	62	1.25	2.3			5670	614			62	1.40	2.7		4820				522	62	1.65			3.0	4257	461	62	1.90	3.4	3768			408	62	2.10			3.8	3361			364		62	2.40	4.4		2937	318	62	2.70	8.3	1637	113.10	13	0.90	GK79 GKF79 GKA79 GKAF79	6P	8.0	1693	174.19			27	1.55	GK79 GKF79 GKA79 GKAF79	4P	9.7			1399	96.66	15	1.05	11	1283	88.61	16	1.10	12	1126	77.76	17	1.30	10			1310	134.74	16	1.15	11	1244	128.00	16	1.20	12		1099	113.10			17	1.35		14	940	96.66	17	1.55	16	861			88.61	18	1.70	18	756	77.76	18	1.95	19	716	73.69	18	2.10	22	627	64.49	18	2.40	24	565	58.10	19	2.60	27	495	50.97	19	3.00	31	437	44.98	19	3.40	35	388	39.88	19	3.80																																																																																																																																																																																																																																																																																						
1.2	10869	1177	76	1.20	1.4	9465			1025	77	1.40	1.6	8302	899	77					1.60	1.8	7295	790	78					1.80	2.0	6501			704	78			2.00			2.3	5633	610	78	2.35	2.6	5070	549			78	2.55	2.9	4405	477	78	3.00			3.3	3869			419	78	3.45	1.4	9512	1030	62			0.85	GK109R79 GKF109R79 GKA109R79 GKAF109R79	4P	7.6	1794	123.93			38	2.20	GK89 GKF89 GKA89 GKAF89			4P			1.5			8348											904	62	0.95	1.8					7323			793	62	1.10	2.0	6427			696	62	1.25	2.3	5670			614	62			1.40	2.7	4820		522				62	1.65	3.0			4257	461	62	1.90	3.4	3768	408			62	2.10	3.8			3361	364			62		2.40	4.4	2937		318	62	2.70	8.3	1637	113.10	13	0.90	GK79 GKF79 GKA79 GKAF79			6P	8.0	1693			174.19	27			1.55			GK79 GKF79 GKA79 GKAF79	4P	9.7	1399	96.66	15	1.05	11	1283	88.61	16	1.10	12	1126	77.76			17	1.30	10	1310	134.74	16	1.15	11	1244	128.00		16	1.20		12	1099	113.10	17	1.35	14	940	96.66	17	1.55	16	861	88.61	18	1.70	18	756	77.76	18	1.95	19	716	73.69	18	2.10	22	627	64.49	18	2.40	24	565	58.10	19	2.60	27	495	50.97	19	3.00	31	437	44.98	19	3.40	35	388	39.88	19	3.80																																																																																																																																																																																																																																																																																							
1.4	9465	1025	77	1.40	1.6	8302			899	77	1.60	1.8	7295	790	78					1.80	2.0	6501	704	78					2.00	2.3	5633			610	78			2.35			2.6	5070	549	78	2.55	2.9	4405	477			78	3.00	3.3	3869	419	78	3.45			1.4	9512			1030	62	0.85	GK109R79 GKF109R79 GKA109R79 GKAF109R79	4P	7.6	1794			123.93			38	2.20	GK89 GKF89 GKA89 GKAF89			4P	1.5							8348			904								62	0.95		1.8	7323	793	62			1.10	2.0	6427			696	62	1.25	2.3	5670			614	62	1.40	2.7	4820			522	62			1.65	3.0	4257		461				62	1.90	3.4			3768	408	62	2.10	3.8	3361	364			62	2.40	4.4	2937	318	62	2.70			8.3	1637	113.10	13	0.90	GK79 GKF79 GKA79 GKAF79	6P	8.0	1693	174.19	27	1.55	GK79 GKF79 GKA79 GKAF79	4P					9.7	1399			96.66	15			1.05					11	1283	88.61	16	1.10	12	1126	77.76	17	1.30	10	1310	134.74	16	1.15	11	1244	128.00	16	1.20	12	1099	113.10	17	1.35	14	940	96.66	17	1.55	16	861	88.61	18	1.70	18	756	77.76	18	1.95	19	716	73.69	18	2.10	22	627	64.49	18	2.40	24	565	58.10	19	2.60	27	495	50.97	19	3.00	31	437	44.98	19	3.40	35	388	39.88	19	3.80																																																																																																																																																																																																																																																																																																
1.6	8302	899	77	1.60	1.8	7295			790	78	1.80	2.0	6501	704	78					2.00	2.3	5633	610	78					2.35	2.6	5070			549	78			2.55			2.9	4405	477	78	3.00	3.3	3869	419			78	3.45	1.4	9512	1030	62	0.85			GK109R79 GKF109R79 GKA109R79 GKAF109R79	4P			7.6	1794	123.93			38	2.20			GK89 GKF89 GKA89 GKAF89			4P	1.5					8348							904			62							0.95	1.8	7323	793	62	1.10	2.0	6427			696	62	1.25	2.3	5670	614	62	1.40	2.7	4820			522	62	1.65	3.0	4257			461	62			1.90	3.4	3768		408				62	2.10	3.8			3361	364	62	2.40	4.4	2937	318	62	2.70	8.3	1637	113.10	13	0.90	GK79 GKF79 GKA79 GKAF79	6P	8.0	1693	174.19	27	1.55	GK79 GKF79 GKA79 GKAF79	4P			9.7	1399	96.66	15	1.05							11	1283			88.61	16			1.10					12	1126	77.76	17	1.30	10	1310	134.74	16	1.15	11	1244	128.00	16	1.20	12	1099	113.10	17	1.35	14	940	96.66	17	1.55	16	861	88.61	18	1.70	18	756	77.76	18	1.95	19	716	73.69	18	2.10	22	627	64.49	18	2.40	24	565	58.10	19	2.60	27	495	50.97	19	3.00	31	437	44.98	19	3.40	35	388	39.88	19	3.80																																																																																																																																																																																																																																																																																																					
1.8	7295	790	78	1.80	2.0	6501			704	78	2.00	2.3	5633	610	78					2.35	2.6	5070	549	78					2.55	2.9	4405			477	78			3.00			3.3	3869	419	78	3.45	1.4	9512	1030			62	0.85	GK109R79 GKF109R79 GKA109R79 GKAF109R79	4P	7.6	1794	123.93							38	2.20	GK89 GKF89 GKA89 GKAF89			4P	1.5							8348					904							62			0.95		1.8	7323				793	62	1.10	2.0	6427	696	62	1.25	2.3	5670	614	62	1.40	2.7	4820	522	62	1.65	3.0	4257			461	62	1.90	3.4	3768			408	62			2.10	3.8	3361		364				62	2.40	4.4			2937	318	62	2.70	8.3	1637	113.10	13	0.90	GK79 GKF79 GKA79 GKAF79	6P	8.0	1693	174.19			27	1.55	GK79 GKF79 GKA79 GKAF79	4P	9.7					1399	96.66	15	1.05	11							1283	88.61	16	1.10	12	1126			77.76	17	1.30			10	1310	134.74	16	1.15	11	1244	128.00	16	1.20	12	1099	113.10	17	1.35	14	940	96.66	17	1.55	16	861	88.61	18	1.70	18	756	77.76	18	1.95	19	716	73.69	18	2.10	22	627	64.49	18	2.40	24	565	58.10	19	2.60	27	495	50.97	19	3.00	31	437	44.98	19	3.40	35	388	39.88	19	3.80																																																																																																																																																																																																																																																																																																										
2.0	6501	704	78	2.00	2.3	5633			610	78	2.35	2.6	5070	549	78					2.55	2.9	4405	477	78					3.00	3.3	3869			419	78			3.45			1.4	9512	1030	62	0.85	GK109R79 GKF109R79 GKA109R79 GKAF109R79	4P	7.6			1794	123.93			38	2.20	GK89 GKF89 GKA89 GKAF89							4P	1.5					8348							904					62					0.95	1.8	7323			793		62	1.10	2.0	6427		696	62	1.25	2.3	5670	614	62	1.40	2.7	4820	522	62	1.65	3.0	4257	461	62	1.90	3.4	3768			408	62	2.10	3.8	3361		364	62	2.40	4.4		2937	318	62		2.70		8.3	1637	113.10	13	0.90			GK79 GKF79 GKA79 GKAF79	6P	8.0	1693	174.19	27	1.55	GK79 GKF79 GKA79 GKAF79	4P			9.7	1399	96.66			15	1.05			11					1283	88.61	16	1.10	12				1126	77.76		17	1.30	10	1310	134.74	16	1.15	11	1244	128.00	16			1.20	12	1099	113.10	17	1.35	14	940	96.66	17	1.55	16	861	88.61	18	1.70	18	756	77.76	18	1.95	19	716	73.69	18	2.10	22	627	64.49	18	2.40	24	565	58.10	19	2.60	27	495	50.97	19	3.00	31	437	44.98	19	3.40	35	388	39.88	19	3.80																																																																																																																																																																																																																																																																																																																			
2.3	5633	610	78	2.35	2.6	5070			549	78	2.55	2.9	4405	477	78					3.00	3.3	3869	419	78					3.45	1.4	9512			1030	62			0.85			GK109R79 GKF109R79 GKA109R79 GKAF109R79	4P	7.6	1794	123.93			38			2.20	GK89 GKF89 GKA89 GKAF89			4P	1.5									8348					904							62					0.95					1.8	7323	793			62		1.10	2.0	6427	696		62	1.25	2.3	5670	614	62	1.40	2.7	4820	522	62	1.65	3.0	4257	461	62	1.90	3.4	3768	408			62	2.10	3.8	3361	364	62	2.40	4.4	2937	318	62	2.70	8.3	1637		113.10		13	0.90	GK79 GKF79 GKA79 GKAF79	6P	8.0	1693	174.19			27	1.55	GK79 GKF79 GKA79 GKAF79	4P	9.7					1399	96.66	15			1.05	11			1283					88.61	16	1.10	12	1126			77.76	17	1.30	10	1310	134.74	16	1.15	11	1244	128.00	16	1.20	12	1099	113.10	17	1.35	14	940	96.66	17	1.55	16	861	88.61	18	1.70	18	756	77.76	18	1.95	19	716	73.69	18	2.10	22	627	64.49	18	2.40	24	565	58.10	19	2.60	27	495	50.97	19	3.00	31	437	44.98	19	3.40	35	388	39.88	19	3.80																																																																																																																																																																																																																																																																																																																								
2.6	5070	549	78	2.55	2.9	4405			477	78	3.00	3.3	3869	419	78					3.45	1.4	9512	1030	62					0.85	GK109R79 GKF109R79 GKA109R79 GKAF109R79	4P			7.6	1794			123.93					38	2.20	GK89 GKF89 GKA89 GKAF89			4P			1.5					8348		904	62						0.95					1.8	7323	793					62					1.10					2.0	6427	696			62		1.25	2.3	5670	614		62	1.40	2.7	4820	522	62	1.65	3.0	4257	461	62	1.90	3.4	3768	408	62	2.10	3.8	3361	364	62	2.40	4.4	2937	318	62	2.70	8.3	1637	113.10	13	0.90	GK79 GKF79 GKA79 GKAF79	6P	8.0	1693	174.19	27	1.55	GK79 GKF79 GKA79 GKAF79	4P			9.7	1399	96.66			15	1.05			11					1283	88.61	16			1.10	12			1126			77.76	17	1.30	10	1310	134.74	16	1.15	11	1244	128.00	16	1.20	12	1099	113.10	17	1.35	14	940	96.66	17	1.55	16	861	88.61	18	1.70	18	756	77.76	18	1.95	19	716	73.69	18	2.10	22	627	64.49	18	2.40	24	565	58.10	19	2.60	27	495	50.97	19	3.00	31	437	44.98	19	3.40	35	388	39.88	19	3.80																																																																																																																																																																																																																																																																																																																																	
2.9	4405	477	78	3.00	3.3	3869			419	78	3.45	1.4	9512	1030	62					0.85	GK109R79 GKF109R79 GKA109R79 GKAF109R79	4P	7.6	1794					123.93					38	2.20			GK89 GKF89 GKA89 GKAF89					4P	1.5					8348	904	62					0.95		1.8	7323			793	62		1.10					2.0	6427	696					62					1.25					2.3	5670	614			62		1.40	2.7	4820	522		62	1.65	3.0	4257	461	62	1.90	3.4	3768	408	62	2.10	3.8	3361	364	62	2.40	4.4	2937	318	62	2.70	8.3	1637	113.10	13	0.90	GK79 GKF79 GKA79 GKAF79	6P	8.0	1693	174.19			27	1.55	GK79 GKF79 GKA79 GKAF79	4P	9.7					1399	96.66	15			1.05	11			1283					88.61	16	1.10	12	1126	77.76	17			1.30	10	1310	134.74	16	1.15	11	1244	128.00	16	1.20	12	1099	113.10	17	1.35	14	940	96.66	17	1.55	16	861	88.61	18	1.70	18	756	77.76	18	1.95	19	716	73.69	18	2.10	22	627	64.49	18	2.40	24	565	58.10	19	2.60	27	495	50.97	19	3.00	31	437	44.98	19	3.40	35	388	39.88	19	3.80																																																																																																																																																																																																																																																																																																																																						
3.3	3869	419	78	3.45	1.4	9512			1030	62	0.85	GK109R79 GKF109R79 GKA109R79 GKAF109R79	4P	7.6	1794					123.93			38	2.20					GK89 GKF89 GKA89 GKAF89					4P	1.5									8348					904	62	0.95					1.8		7323	793			62	1.10		2.0					6427	696	62					1.25					2.3		5670	614		62	1.40	2.7			4820	522	62	1.65	3.0	4257	461	62	1.90	3.4	3768	408	62	2.10	3.8	3361	364	62	2.40	4.4	2937	318	62	2.70	8.3	1637	113.10	13	0.90	GK79 GKF79 GKA79 GKAF79	6P	8.0	1693	174.19			27	1.55	GK79 GKF79 GKA79 GKAF79			4P	9.7			1399					96.66	15	1.05			11	1283			88.61			16	1.10	12	1126	77.76	17	1.30	10	1310	134.74	16	1.15	11	1244	128.00	16	1.20	12	1099	113.10	17	1.35	14	940	96.66	17	1.55	16	861	88.61	18	1.70	18	756	77.76	18	1.95	19	716	73.69	18	2.10	22	627	64.49	18	2.40	24	565	58.10	19	2.60	27	495	50.97	19	3.00	31	437	44.98	19	3.40	35	388	39.88	19	3.80																																																																																																																																																																																																																																																																																																																																											
1.4	9512	1030	62	0.85	GK109R79 GKF109R79 GKA109R79 GKAF109R79	4P			7.6	1794	123.93			38	2.20					GK89 GKF89 GKA89 GKAF89			4P																																																																																																																																																																																																																																																																																																																																																																																																																																																																																																																																																
1.5	8348	904	62	0.95					1.8	7323	793			62	1.10									2.0	6427	696						62	1.25		2.3	5670	614		62	1.40				2.7					4820	522	62					1.65		3.0	4257			461	62		1.90					3.4	3768	408		62	2.10		3.8		3361	364		62	2.40	4.4	2937	318	62	2.70	8.3	1637	113.10	13	0.90	GK79 GKF79 GKA79 GKAF79	6P	8.0	1693	174.19	27	1.55	GK79 GKF79 GKA79 GKAF79	4P	9.7	1399	96.66	15	1.05	11	1283	88.61	16	1.10	12	1126	77.76	17	1.30	10	1310	134.74			16	1.15	11			1244	128.00					16			1.20			12	1099	113.10	17	1.35	14	940	96.66	17	1.55	16	861	88.61	18	1.70	18	756	77.76	18	1.95	19	716	73.69	18	2.10	22	627	64.49	18	2.40	24	565	58.10	19	2.60	27	495	50.97	19	3.00	31	437	44.98	19	3.40	35	388	39.88	19	3.80																																																																																																																																																																																																																																																																																																																																																																										
1.8	7323	793	62	1.10					2.0	6427	696			62	1.25	2.3	5670							614	62	1.40	2.7	4820				522	62		1.65	3.0	4257		461	62				1.90					3.4	3768	408					62		2.10	3.8			3361	364		62		2.40	4.4		2937	318	62		2.70	8.3		1637	113.10	13	0.90	GK79 GKF79 GKA79 GKAF79	6P	8.0	1693	174.19	27	1.55	GK79 GKF79 GKA79 GKAF79	4P	9.7	1399	96.66	15			1.05	11	1283	88.61	16			1.10	12	1126	77.76	17	1.30	10	1310	134.74	16	1.15	11	1244	128.00	16	1.20	12	1099			113.10	17	1.35			14	940		96.66	17		1.55			16	861	88.61	18	1.70	18	756	77.76	18	1.95	19	716	73.69	18	2.10	22	627	64.49	18	2.40	24	565	58.10	19	2.60	27	495	50.97	19	3.00	31	437	44.98	19	3.40	35	388	39.88	19	3.80																																																																																																																																																																																																																																																																																																																																																																																							
2.0	6427	696	62	1.25			2.3	5670	614	62	1.40			2.7	4820	522	62	1.65	3.0					4257	461	62	1.90	3.4				3768	408		62	2.10	3.8		3361	364				62					2.40	4.4	2937					318		62	2.70	8.3	1637	113.10	13		0.90		GK79 GKF79 GKA79 GKAF79	6P		8.0	1693	174.19	27	1.55	GK79 GKF79 GKA79 GKAF79	4P	9.7	1399	96.66	15			1.05	11	1283	88.61	16			1.10	12	1126	77.76			17	1.30	10	1310	134.74			16	1.15	11	1244	128.00	16	1.20	12	1099	113.10	17	1.35	14	940	96.66	17	1.55	16			861	88.61	18	1.70	18	756	77.76		18	1.95		19	716	73.69	18	2.10	22	627	64.49	18	2.40	24	565	58.10	19	2.60	27	495	50.97	19	3.00	31	437	44.98	19	3.40	35	388	39.88	19	3.80																																																																																																																																																																																																																																																																																																																																																																																																				
2.3	5670	614	62	1.40			2.7	4820	522	62	1.65			3.0	4257	461	62	1.90	3.4					3768	408	62	2.10	3.8				3361	364		62	2.40	4.4		2937	318				62					2.70	8.3	1637		113.10	13		0.90		GK79 GKF79 GKA79 GKAF79	6P	8.0	1693	174.19	27		1.55	GK79 GKF79 GKA79 GKAF79			4P	9.7	1399	96.66	15	1.05			11	1283	88.61	16			1.10	12	1126	77.76	17			1.30	10	1310	134.74			16	1.15	11	1244	128.00			16	1.20	12	1099	113.10	17	1.35	14	940	96.66	17	1.55	16	861	88.61	18	1.70	18	756	77.76	18	1.95	19	716	73.69	18	2.10	22	627	64.49	18	2.40	24	565	58.10	19	2.60	27	495	50.97	19	3.00	31	437	44.98	19	3.40	35	388	39.88	19	3.80																																																																																																																																																																																																																																																																																																																																																																																																													
2.7	4820	522	62	1.65			3.0	4257	461	62	1.90			3.4	3768	408	62	2.10	3.8					3361	364	62	2.40	4.4				2937	318		62	2.70	8.3		1637	113.10				13		0.90	GK79 GKF79 GKA79 GKAF79		6P	8.0	1693		174.19	27		1.55	GK79 GKF79 GKA79 GKAF79			4P	9.7	1399	96.66	15	1.05					11	1283	88.61	16	1.10			12	1126	77.76	17			1.30	10	1310	134.74	16			1.15	11	1244	128.00			16	1.20	12	1099	113.10			17	1.35	14	940	96.66	17	1.55	16	861	88.61	18	1.70	18	756	77.76	18	1.95	19	716	73.69	18	2.10	22	627	64.49	18	2.40	24	565	58.10	19	2.60	27	495	50.97	19	3.00	31	437	44.98	19	3.40	35	388	39.88	19	3.80																																																																																																																																																																																																																																																																																																																																																																																																																		
3.0	4257	461	62	1.90			3.4	3768	408	62	2.10			3.8	3361	364	62	2.40	4.4					2937	318	62	2.70	8.3				1637	113.10		13	0.90	GK79 GKF79 GKA79 GKAF79		6P	8.0	1693	174.19		27		1.55				GK79 GKF79 GKA79 GKAF79	4P	9.7	1399	96.66	15	1.05					11	1283	88.61	16	1.10					12	1126	77.76	17	1.30			10	1310	134.74	16			1.15	11	1244	128.00	16			1.20	12	1099	113.10	17	1.35	14	940	96.66	17	1.55	16	861	88.61	18	1.70	18	756	77.76	18	1.95	19	716	73.69	18	2.10	22	627	64.49	18	2.40	24	565	58.10	19	2.60	27	495	50.97	19	3.00	31	437	44.98	19	3.40	35	388	39.88	19	3.80																																																																																																																																																																																																																																																																																																																																																																																																																											
3.4	3768	408	62	2.10			3.8	3361	364	62	2.40			4.4	2937	318	62	2.70	8.3					1637	113.10	13	0.90	GK79 GKF79 GKA79 GKAF79		6P	8.0	1693	174.19		27	1.55				GK79 GKF79 GKA79 GKAF79	4P	9.7		1399	96.66	15		1.05				11	1283	88.61	16	1.10					12	1126	77.76	17	1.30					10	1310	134.74	16	1.15			11	1244	128.00	16	1.20	12	1099	113.10	17	1.35	14	940	96.66	17	1.55	16	861	88.61	18	1.70	18	756	77.76	18	1.95	19	716	73.69	18	2.10	22	627	64.49	18	2.40	24	565	58.10	19	2.60	27	495	50.97	19	3.00	31	437	44.98	19	3.40	35	388	39.88	19	3.80																																																																																																																																																																																																																																																																																																																																																																																																																																				
3.8	3361	364	62	2.40			4.4	2937	318	62	2.70			8.3	1637	113.10	13	0.90	GK79 GKF79 GKA79 GKAF79		6P	8.0		1693	174.19	27	1.55				GK79 GKF79 GKA79 GKAF79	4P	9.7		1399	96.66		15				1.05	11	1283	88.61	16		1.10				12	1126	77.76	17	1.30					10	1310	134.74	16	1.15		11	1244		128.00	16	1.20	12	1099	113.10	17	1.35	14	940	96.66	17	1.55	16	861	88.61	18	1.70	18	756	77.76	18	1.95	19	716	73.69	18	2.10	22	627	64.49	18	2.40	24	565	58.10	19	2.60	27	495	50.97	19	3.00	31	437	44.98	19	3.40	35	388	39.88	19	3.80																																																																																																																																																																																																																																																																																																																																																																																																																																													
4.4	2937	318	62	2.70			8.3	1637	113.10	13	0.90	GK79 GKF79 GKA79 GKAF79	6P	8.0	1693	174.19	27	1.55				GK79 GKF79 GKA79 GKAF79		4P	9.7	1399	96.66		15				1.05	11	1283	88.61		16				1.10	12	1126	77.76	17		1.30				10	1310	134.74	16	1.15		11	1244		128.00	16	1.20	12	1099	113.10	17	1.35	14	940	96.66	17	1.55	16	861	88.61	18	1.70	18	756	77.76	18	1.95	19	716	73.69	18	2.10	22	627	64.49	18	2.40	24	565	58.10	19	2.60	27	495	50.97	19	3.00	31	437	44.98	19	3.40	35	388	39.88	19	3.80																																																																																																																																																																																																																																																																																																																																																																																																																																																						
8.3	1637	113.10	13	0.90	GK79 GKF79 GKA79 GKAF79	6P	8.0	1693	174.19	27	1.55			GK79 GKF79 GKA79 GKAF79	4P																																																																																																																																																																																																																																																																																																																																																																																																																																																																																																																																																								
9.7	1399	96.66	15	1.05			11	1283	88.61	16	1.10					12	1126	77.76		17			1.30		10	1310	134.74		16				1.15	11	1244	128.00	16	1.20	12			1099	113.10	17	1.35	14	940	96.66	17	1.55	16	861	88.61	18	1.70	18	756	77.76	18	1.95	19	716	73.69	18	2.10	22	627	64.49	18	2.40	24	565	58.10	19	2.60	27	495	50.97	19	3.00	31	437	44.98	19	3.40	35	388	39.88	19	3.80																																																																																																																																																																																																																																																																																																																																																																																																																																																																													
11	1283	88.61	16	1.10			12	1126	77.76	17	1.30					10	1310	134.74		16			1.15		11	1244	128.00	16	1.20	12			1099	113.10	17	1.35	14	940	96.66	17	1.55	16	861	88.61	18	1.70	18	756	77.76	18	1.95	19	716	73.69	18	2.10	22	627	64.49	18	2.40	24	565	58.10	19	2.60	27	495	50.97	19	3.00	31	437	44.98	19	3.40	35	388	39.88	19	3.80																																																																																																																																																																																																																																																																																																																																																																																																																																																																																						
12	1126	77.76	17	1.30			10	1310	134.74	16	1.15					11	1244	128.00	16	1.20	12		1099		113.10	17	1.35	14	940	96.66	17	1.55	16	861	88.61	18	1.70	18	756	77.76	18	1.95	19	716	73.69	18	2.10	22	627	64.49	18	2.40	24	565	58.10	19	2.60	27	495	50.97	19	3.00	31	437	44.98	19	3.40	35	388	39.88	19	3.80																																																																																																																																																																																																																																																																																																																																																																																																																																																																																															
10	1310	134.74	16	1.15			11	1244	128.00	16	1.20	12	1099			113.10	17	1.35	14	940	96.66	17	1.55	16	861	88.61	18	1.70	18	756	77.76	18	1.95	19	716	73.69	18	2.10	22	627	64.49	18	2.40	24	565	58.10	19	2.60	27	495	50.97	19	3.00	31	437	44.98	19	3.40	35	388	39.88	19	3.80																																																																																																																																																																																																																																																																																																																																																																																																																																																																																																								
11	1244	128.00	16	1.20	12	1099	113.10	17	1.35	14	940	96.66	17	1.55	16	861	88.61	18	1.70	18	756	77.76	18	1.95	19	716	73.69	18	2.10	22	627	64.49	18	2.40	24	565	58.10	19	2.60	27	495	50.97	19	3.00	31	437	44.98	19	3.40	35	388	39.88	19	3.80																																																																																																																																																																																																																																																																																																																																																																																																																																																																																																																	
12	1099	113.10	17	1.35	14	940	96.66	17	1.55	16	861	88.61	18	1.70	18	756	77.76	18	1.95	19	716	73.69	18	2.10	22	627	64.49	18	2.40	24	565	58.10	19	2.60	27	495	50.97	19	3.00	31	437	44.98	19	3.40	35	388	39.88	19	3.80																																																																																																																																																																																																																																																																																																																																																																																																																																																																																																																						
14	940	96.66	17	1.55	16	861	88.61	18	1.70	18	756	77.76	18	1.95	19	716	73.69	18	2.10	22	627	64.49	18	2.40	24	565	58.10	19	2.60	27	495	50.97	19	3.00	31	437	44.98	19	3.40	35	388	39.88	19	3.80																																																																																																																																																																																																																																																																																																																																																																																																																																																																																																																											
16	861	88.61	18	1.70	18	756	77.76	18	1.95	19	716	73.69	18	2.10	22	627	64.49	18	2.40	24	565	58.10	19	2.60	27	495	50.97	19	3.00	31	437	44.98	19	3.40	35	388	39.88	19	3.80																																																																																																																																																																																																																																																																																																																																																																																																																																																																																																																																
18	756	77.76	18	1.95	19	716	73.69	18	2.10	22	627	64.49	18	2.40	24	565	58.10	19	2.60	27	495	50.97	19	3.00	31	437	44.98	19	3.40	35	388	39.88	19	3.80																																																																																																																																																																																																																																																																																																																																																																																																																																																																																																																																					
19	716	73.69	18	2.10	22	627	64.49	18	2.40	24	565	58.10	19	2.60	27	495	50.97	19	3.00	31	437	44.98	19	3.40	35	388	39.88	19	3.80																																																																																																																																																																																																																																																																																																																																																																																																																																																																																																																																										
22	627	64.49	18	2.40	24	565	58.10	19	2.60	27	495	50.97	19	3.00	31	437	44.98	19	3.40	35	388	39.88	19	3.80																																																																																																																																																																																																																																																																																																																																																																																																																																																																																																																																															
24	565	58.10	19	2.60	27	495	50.97	19	3.00	31	437	44.98	19	3.40	35	388	39.88	19	3.80																																																																																																																																																																																																																																																																																																																																																																																																																																																																																																																																																				
27	495	50.97	19	3.00	31	437	44.98	19	3.40	35	388	39.88	19	3.80																																																																																																																																																																																																																																																																																																																																																																																																																																																																																																																																																									
31	437	44.98	19	3.40	35	388	39.88	19	3.80																																																																																																																																																																																																																																																																																																																																																																																																																																																																																																																																																														
35	388	39.88	19	3.80																																																																																																																																																																																																																																																																																																																																																																																																																																																																																																																																																																			

GK 系列斜齿轮-锥齿轮减速电机

选型参数表

(恒功率) 1.5kW-2.2kW

Selection Table

(Constant Power) 1.5kW-2.2kW

n_a [r/min]	M_a [Nm]	i	F_{Ra} [kN]	f_B	机型号 Type size	极数 Pole	n_a [r/min]	M_a [Nm]	i	F_{Ra} [kN]	f_B	机型号 Type size	极数 Pole
1.5kW							2.2kW						
16	875	90.04	8.9	0.90			0.66	28933	2182	135	1.10		
18	742	76.37	10	1.05	GK69		0.84	22595	1704	135	1.40		
20	670	68.95	11	1.15	GKF69	4P	1.02	18670	1408	135	1.70	GK169R99	4P
23	590	60.66	11	1.35	GKA69		1.10	17185	1296	135	1.85	GKA169R99	
24	557	57.28	11	1.40	GKAF69		1.30	14599	1101	135	2.20		
29	474	48.77	12	1.65			1.51	12517	944	135	2.50		
32	431	44.32	12	1.80			0.86	21998	1659	104	0.80		
36	373	38.39	12	2.00	GK69	4P	1.0	18100	1365	106	1.00	GK159R99	4P
39	346	35.61	12	2.30	GKF69		1.2	16296	1229	107	1.10	GKF159R99	
46	294	30.21	12	2.70	GKA69		1.3	14493	1093	108	1.20	GKA159R99	
51	265	27.27	12	3.00	GKAF69		1.5	12491	942	109	1.40	GKAF159R99	
58	233	23.99	12	3.30			1.7	11311	853	109	1.55		
23	591	60.81	7.1	0.95	GK59	4P	1.9	10024	756	110	1.80		
24	558	57.42	7.4	1.05	GKF59		2.7	7147	539	78	1.80	GK129R89	4P
29	475	48.89	8.0	1.20	GKA59		3.0	6312	476	78	2.05	GKF129R89	
32	432	44.43	8.2	1.35	GKAF59		3.4	5569	420	78	2.30	GKA129R89	
36	374	38.49	8.5	1.55		4.3	4389	331	78	2.95	GKAF129R89		
39	347	35.70	8.6	1.65	GK59	4P	1.4	13591	1025	74	0.95		
46	294	30.28	8.7	1.95	GKF59		1.6	11921	899	76	1.10		
51	266	27.34	8.6	2.20	GKA59		1.8	10475	790	76	1.25	GK129R79	4P
58	234	24.05	8.3	2.50	GKAF59		2.0	9335	704	77	1.40	GKF129R79	
62	221	22.71	8.2	2.60		2.3	8088	610	77	1.60	GKA129R79		
72	188	19.34	7.9	2.90		2.6	7280	549	78	1.80	GKAF129R79		
35	385	39.61	5.6	1.00	GK49	4P	3.0	6325	477	78	2.05		
40	344	35.39	6.0	1.10	GKF49		3.4	5556	419	78	2.35		
45	304	31.30	6.0	1.25	GKA49		2.3	8142	614	62	1.00		
48	285	29.32	6.0	1.35			2.7	6922	522	62	1.15		
54	252	25.91	5.9	1.50			3.1	6113	461	62	1.30	GK109R79	4P
64	212	21.81	5.7	1.80	GK49	3.5	5410	408	62	1.45	GKF109R79		
72	190	19.58	5.7	2.00	GKF49	3.9	4827	364	62	1.65	GKA109R79		
83	164	16.86	5.5	2.20	GKA49	4.5	4217	318	62	1.90	GKAF109R79		
88	154	15.86	5.4	2.40	GKAF49		5.0	3792	286	62	2.10		
103	133	13.65	5.3	2.60			5.7	3328	251	62	2.40		
115	118	12.19	5.2	2.80			3.7	5065	382	38	0.85		
119	114	11.77	5.1	2.30			4.2	4535	342	38	0.95	GK99R59	4P
60	227	23.36	2.7	0.80			4.7	4044	305	38	1.05	GKF99R59	
69	196	20.19	2.8	0.90			5.5	3421	258	38	1.25	GKA99R59	
82	167	17.15	2.8	1.05			6.2	3076	232	38	1.40	GKAF99R59	
91	149	15.32	2.8	1.10			7.2	2639	199	38	1.60		
107	127	13.08	2.8	1.25	GK39	4P	4.9	4033	143.47	62	1.85	GK109	8P
115	118	12.14	2.8	1.30	GKF39		5.8	3414	121.46	62	2.20	GKF109	
133	102	10.49	2.7	1.50	GKA39		6.3	3160	112.41	62	2.40	GKA109	
157	87	8.91	2.7	1.75	GKAF39		7.0	2832	100.75	62	2.70	GKAF109	
176	77	7.96	2.6	1.90			6.1	3253	153.21	38	1.25	GK99	6P
206	66	6.80	2.6	2.20			6.7	2979	140.28	38	1.35	GKF99	
220	62	6.37	2.5	2.20			7.6	2631	123.93	38	1.55	GKA99	
261	52	5.36	2.5	2.60			8.9	2232	105.13	38	1.85	GKAF99	
2.2kW							2.2kW						
0.33	57945	4370	158	0.85	GK189R99	4P	8.1	2457	176.05	38	1.65	GK99	4P
0.51	37366	2818	171	1.35	GKA189R99		9.3	2138	153.21	38	1.90	GKF99	
0.40	47855	3609	171	1.00			10	1958	140.28	38	2.10	GKA99	4P
0.47	40602	3062	171	1.20			12	1730	123.93	38	2.30	GKAF99	
0.57	33401	2519	171	1.50	GK189R99	4P	14	1467	105.13	38	2.80	GK99	4P
0.63	30073	2268	171	1.65	GKA189R99		15	1351	96.80	38	3.00	GKF99	
0.70	27236	2054	171	1.80								GKA99	
0.79	24146	1821	171	2.10	GKAF189R99						GKAF99		
0.89	21282	1605	171	2.30			9.7	2056	147.33	27	1.25	GK89	4P
0.52	36531	2755	135	0.85	GK169R99	4P	11	1771	126.91	27	1.45	GKF89	
0.63	30020	2264	135	1.05	GKA169R99		12	1617	115.82	27	1.55	GKA89	
											GKAF89		

选型参数表

(恒功率) 2.2kW-3kW

Selection Table

(Constant Power) 2.2kW-3kW

n_a [r/min]	M_a [Nm]	i	F_{Ra} [kN]	f_B	机型号 Type size	极数 Pole	n_a [r/min]	M_a [Nm]	i	F_{Ra} [kN]	f_B	机型号 Type size	极数 Pole																																																																																																																																																																																																																																																																																																																																																																																																																																																																																																																																																																																													
2.2kW							2.2kW																																																																																																																																																																																																																																																																																																																																																																																																																																																																																																																																																																																																			
14	1434	102.71	27	1.75	GK89 GKF89 GKA89 GKAF89	4P	85	235	16.86	4.9	1.50	GK49 GKF49 GKA49 GKAF49	4P																																																																																																																																																																																																																																																																																																																																																																																																																																																																																																																																																																																													
17	1205	86.34	27	2.10			18	1107	79.34	27	2.30			20	983	70.46	27	2.60	23	879	63.00	27	2.90	13	1579	113.10	14	0.90	GK79 GKF79 GKA79 GKAF79	4P	109	183	13.08	2.3	0.85	GK39 GKF39 GKA39 GKAF39	4P	15	1349	96.66	15	1.05	16	1237	88.61	16	1.15	18	1085	77.76	17	1.35	19	1029	73.69	17	1.40	22	900	64.49	17	1.60	25	811	58.10	18	1.80	GK79 GKF79 GKA79 GKAF79	4P	210	95	6.80	2.3	1.50	GK189R99 GKA189R99	4P	28	711	50.97	18	2.00	32	628	44.98	18	2.30	36	557	39.88	19	2.60	41	489	35.05	19	3.00	46	429	30.76	19	3.40	GK69 GKF69 GKA69 GKAF69	4P	0.47	55366	3062	160	0.90	GK169R99 GKA169R99	4P	49	407	29.15	19	3.60	56	356	25.51	19	4.10	24	847	60.66	9.0	0.90	25	799	57.28	10	0.95	29	681	48.77	11	1.15	GK69 GKF69 GKA69 GKAF69	4P	0.51	50954	2818	170	0.95	GK159R99 GKF159R99 GKA159R99 GKAF159R99	4P	32	619	44.32	11	1.25	37	536	38.39	11	1.40	40	497	35.61	12	1.55	47	422	30.21	12	1.80	52	381	27.27	12	2.00	GK69 GKF69 GKA69 GKAF69	4P	0.63	41009	2268	171	1.20	GK129R89 GKF129R89 GKA129R89 GKAF129R89	4P	60	335	23.99	12	2.20	63	316	22.66	12	2.30	74	269	19.29	12	2.60	82	245	17.53	12	2.80	94	212	15.19	12	3.10	GK69 GKF69 GKA69 GKAF69	4P	0.70	37140	2054	171	1.30	GK129R79 GKF129R79 GKA129R79 GKAF129R79	4P	108	185	13.22	12	3.40	115	174	12.48	12	2.80	135	148	10.63	12	3.20	148	135	9.66	12	3.30	171	117	8.37	12	3.50	GK59 GKF59 GKA59 GKAF59	4P	0.79	32927	1821	171	1.50	GK109R79 GKF109R79 GKA109R79 GKAF109R79	4P	196	102	7.28	12	3.90	32	620	44.43	4.8	0.90	37	537	38.49	7.5	1.05	40	498	35.70	7.8	1.15	47	423	30.28	7.8	1.35	GK59 GKF59 GKA59 GKAF59	4P	1.0	25224	1395	171	1.95	GK109R79 GKF109R79 GKA109R79 GKAF109R79	4P	52	382	27.34	7.8	1.45	59	336	24.05	7.6	1.65	63	317	22.71	7.6	1.75	74	270	19.34	7.4	2.00	81	245	17.57	7.2	2.10	GK59 GKF59 GKA59 GKAF59	4P	1.2	21626	1196	171	2.30	GK109R79 GKF109R79 GKA109R79 GKAF109R79	4P	94	212	15.22	7.1	2.40	108	185	13.25	6.9	2.60	120	166	11.92	6.5	2.30	127	157	11.26	6.5	2.50	55	362	25.91	5.0	1.05	GK49 GKF49 GKA49 GKAF49	4P	1.2	22222	1229	104	0.80	GK109R79 GKF109R79 GKA109R79 GKAF109R79	4P	66	304	21.81	5.0	1.25	73	273	19.58	5.0	1.35	3.0	8607	476	77	1.50	GK109R79 GKF109R79 GKA109R79 GKAF109R79	4P	3.4	7594	420	77	1.70	3.9	6654	368	78	1.95	4.3	5985	331	78	2.15	5.0	5189	287	78	2.45	1.8	14284	790	73	0.90	GK109R79 GKF109R79 GKA109R79 GKAF109R79	4P	2.0	12729	704	75	1.00	2.3	11030	610	76	1.20	2.6	9927	549	77	1.30	3.0	8625	477	77	1.50	3.4	7576	419	77	1.75	GK109R79 GKF109R79 GKA109R79 GKAF109R79	4P	3.1	8336	461	62	0.95	3.5	7377	408	62	1.05	3.9	6582	364	62	1.20	4.5	5750	318	62	1.40	5.0	5171	286	62	1.55	GK109R79 GKF109R79 GKA109R79 GKAF109R79	4P	5.7	4538	251	62	1.75	6.4	4014	222	62	2.00	7.3	3544	196	62	2.25																																																																																																																													
18	1107	79.34	27	2.30			20	983	70.46	27	2.60			23	879	63.00	27	2.90	13	1579	113.10	14	0.90	GK79 GKF79 GKA79 GKAF79	4P	109	183	13.08			2.3	0.85	GK39 GKF39 GKA39 GKAF39	4P	15			1349	96.66	15	1.05	16	1237	88.61	16	1.15	18	1085	77.76	17	1.35	19	1029	73.69	17	1.40	22	900	64.49	17	1.60	25	811	58.10	18	1.80	GK79 GKF79 GKA79 GKAF79			4P	210	95	6.80	2.3			1.50	GK189R99 GKA189R99	4P	28	711	50.97	18	2.00	32	628	44.98	18	2.30	36	557	39.88	19	2.60	41	489	35.05	19	3.00	46	429			30.76	19	3.40	GK69 GKF69 GKA69 GKAF69	4P			0.47	55366	3062	160	0.90	GK169R99 GKA169R99	4P	49	407	29.15	19	3.60	56	356	25.51	19	4.10	24	847	60.66	9.0	0.90	25	799	57.28			10	0.95	29	681	48.77			11	1.15	GK69 GKF69 GKA69 GKAF69	4P	0.51	50954	2818	170	0.95	GK159R99 GKF159R99 GKA159R99 GKAF159R99	4P	32	619	44.32	11	1.25	37	536	38.39	11	1.40	40	497	35.61	12			1.55	47	422	30.21	12			1.80	52	381	27.27	12	2.00	GK69 GKF69 GKA69 GKAF69	4P	0.63	41009	2268	171	1.20	GK129R89 GKF129R89 GKA129R89 GKAF129R89	4P	60	335	23.99	12	2.20	63	316	22.66	12	2.30			74	269	19.29	12	2.60			82	245	17.53	12	2.80	94	212	15.19	12	3.10	GK69 GKF69 GKA69 GKAF69	4P	0.70	37140	2054	171	1.30	GK129R79 GKF129R79 GKA129R79 GKAF129R79	4P	108	185	13.22	12	3.40	115			174	12.48	12	2.80	135			148	10.63	12	3.20	148	135	9.66	12	3.30	171	117	8.37	12	3.50	GK59 GKF59 GKA59 GKAF59	4P	0.79	32927	1821	171	1.50	GK109R79 GKF109R79 GKA109R79 GKAF109R79	4P	196	102			7.28	12	3.90	32	620			44.43	4.8	0.90	37	537	38.49	7.5	1.05	40	498	35.70	7.8	1.15	47	423	30.28	7.8	1.35	GK59 GKF59 GKA59 GKAF59	4P	1.0	25224	1395	171	1.95			GK109R79 GKF109R79 GKA109R79 GKAF109R79	4P	52	382	27.34			7.8	1.45	59	336	24.05	7.6	1.65	63	317	22.71	7.6	1.75	74	270	19.34	7.4	2.00	81	245	17.57	7.2	2.10	GK59 GKF59 GKA59 GKAF59	4P	1.2			21626	1196	171	2.30	GK109R79 GKF109R79 GKA109R79 GKAF109R79			4P	94	212	15.22	7.1	2.40	108	185	13.25	6.9	2.60	120	166	11.92	6.5			2.30	127	157	11.26	6.5	2.50	55	362	25.91	5.0	1.05	GK49 GKF49 GKA49 GKAF49	4P	1.2	22222	1229	104	0.80	GK109R79 GKF109R79 GKA109R79 GKAF109R79	4P	66	304	21.81	5.0	1.25			73	273	19.58	5.0	1.35	3.0	8607	476	77	1.50	GK109R79 GKF109R79 GKA109R79 GKAF109R79	4P	3.4	7594	420	77	1.70	3.9	6654	368	78	1.95	4.3	5985	331			78	2.15	5.0	5189	287	78	2.45	1.8	14284	790	73	0.90	GK109R79 GKF109R79 GKA109R79 GKAF109R79	4P	2.0	12729	704	75	1.00	2.3	11030	610	76	1.20	2.6			9927	549	77	1.30	3.0	8625	477	77	1.50	3.4	7576	419	77	1.75	GK109R79 GKF109R79 GKA109R79 GKAF109R79	4P	3.1	8336	461	62	0.95	3.5	7377	408	62	1.05	3.9	6582	364	62	1.20	4.5	5750	318	62	1.40	5.0	5171	286	62	1.55	GK109R79 GKF109R79 GKA109R79 GKAF109R79	4P	5.7	4538	251	62	1.75	6.4	4014	222	62	2.00	7.3	3544	196	62	2.25																																																																																		
20	983	70.46	27	2.60			23	879	63.00	27	2.90			13	1579	113.10	14	0.90	GK79 GKF79 GKA79 GKAF79	4P	109	183	13.08			2.3	0.85	GK39 GKF39 GKA39 GKAF39			4P	15			1349			96.66	15	1.05	16	1237	88.61	16	1.15	18	1085	77.76	17	1.35	19	1029	73.69	17	1.40	22	900	64.49	17	1.60	25	811	58.10	18	1.80	GK79 GKF79 GKA79 GKAF79					4P	210	95	6.80			2.3			1.50	GK189R99 GKA189R99	4P	28	711	50.97	18	2.00	32	628	44.98	18	2.30	36	557	39.88	19	2.60	41	489	35.05	19			3.00	46	429					30.76	19	3.40	GK69 GKF69 GKA69 GKAF69	4P			0.47	55366	3062	160	0.90	GK169R99 GKA169R99	4P	49	407	29.15	19	3.60	56	356	25.51	19	4.10	24			847	60.66	9.0	0.90	25			799	57.28			10	0.95	29	681	48.77			11	1.15	GK69 GKF69 GKA69 GKAF69	4P	0.51	50954	2818	170	0.95	GK159R99 GKF159R99 GKA159R99 GKAF159R99	4P	32	619	44.32			11	1.25	37	536	38.39			11	1.40	40	497	35.61	12			1.55	47	422	30.21	12			1.80	52	381	27.27	12	2.00	GK69 GKF69 GKA69 GKAF69	4P	0.63	41009			2268	171	1.20	GK129R89 GKF129R89 GKA129R89 GKAF129R89	4P			60	335	23.99	12	2.20	63	316	22.66	12	2.30			74	269	19.29	12	2.60			82	245	17.53	12	2.80	94			212	15.19	12	3.10	GK69 GKF69 GKA69 GKAF69			4P	0.70	37140	2054	171	1.30	GK129R79 GKF129R79 GKA129R79 GKAF129R79	4P	108	185	13.22	12	3.40	115			174	12.48	12	2.80	135			148	10.63			12	3.20	148	135	9.66			12	3.30	171	117	8.37	12	3.50	GK59 GKF59 GKA59 GKAF59	4P	0.79	32927	1821	171	1.50	GK109R79 GKF109R79 GKA109R79 GKAF109R79	4P	196	102			7.28	12	3.90	32	620					44.43	4.8	0.90			37	537	38.49	7.5	1.05	40	498	35.70	7.8	1.15	47	423	30.28	7.8	1.35	GK59 GKF59 GKA59 GKAF59	4P	1.0	25224	1395	171	1.95			GK109R79 GKF109R79 GKA109R79 GKAF109R79			4P	52	382	27.34					7.8	1.45	59	336	24.05	7.6	1.65	63	317	22.71	7.6	1.75	74	270			19.34	7.4	2.00	81	245	17.57	7.2	2.10	GK59 GKF59 GKA59 GKAF59	4P	1.2			21626	1196	171	2.30	GK109R79 GKF109R79 GKA109R79 GKAF109R79			4P	94	212	15.22	7.1			2.40	108	185	13.25	6.9	2.60	120	166	11.92	6.5			2.30	127	157	11.26	6.5	2.50	55	362	25.91	5.0	1.05	GK49 GKF49 GKA49 GKAF49	4P			1.2	22222	1229	104	0.80	GK109R79 GKF109R79 GKA109R79 GKAF109R79	4P	66	304	21.81	5.0	1.25			73	273	19.58	5.0	1.35	3.0	8607	476	77	1.50	GK109R79 GKF109R79 GKA109R79 GKAF109R79			4P	3.4	7594	420	77	1.70	3.9	6654	368	78	1.95	4.3	5985	331			78	2.15	5.0	5189	287	78	2.45	1.8	14284	790	73	0.90	GK109R79 GKF109R79 GKA109R79 GKAF109R79	4P	2.0	12729	704	75	1.00	2.3	11030	610	76	1.20	2.6			9927	549	77	1.30	3.0	8625	477	77	1.50	3.4	7576	419	77	1.75	GK109R79 GKF109R79 GKA109R79 GKAF109R79	4P	3.1	8336	461	62	0.95	3.5	7377	408	62	1.05	3.9	6582	364	62	1.20	4.5	5750	318	62	1.40	5.0	5171	286	62	1.55	GK109R79 GKF109R79 GKA109R79 GKAF109R79	4P	5.7	4538	251	62	1.75	6.4	4014	222	62	2.00	7.3	3544	196	62	2.25																																							
23	879	63.00	27	2.90			13	1579	113.10	14	0.90			GK79 GKF79 GKA79 GKAF79	4P	109	183	13.08			2.3	0.85	GK39 GKF39 GKA39 GKAF39			4P	15					1349			96.66			15	1.05	16	1237	88.61	16	1.15	18	1085	77.76	17	1.35	19	1029	73.69	17	1.40	22	900	64.49	17	1.60	25	811	58.10	18	1.80	GK79 GKF79 GKA79 GKAF79							4P	210	95			6.80			2.3			1.50	GK189R99 GKA189R99	4P	28	711	50.97	18	2.00	32	628	44.98	18	2.30	36	557	39.88	19	2.60	41			489	35.05	19					3.00	46	429					30.76	19	3.40	GK69 GKF69 GKA69 GKAF69	4P			0.47	55366	3062	160	0.90	GK169R99 GKA169R99	4P	49	407	29.15	19			3.60	56	356	25.51	19			4.10	24			847	60.66	9.0	0.90	25			799	57.28			10	0.95	29	681	48.77			11	1.15	GK69 GKF69 GKA69 GKAF69			4P	0.51	50954	2818	170			0.95	GK159R99 GKF159R99 GKA159R99 GKAF159R99	4P	32	619	44.32			11	1.25	37	536	38.39			11	1.40	40	497	35.61	12			1.55	47			422	30.21	12					1.80	52	381	27.27	12	2.00	GK69 GKF69 GKA69 GKAF69	4P	0.63	41009			2268	171	1.20	GK129R89 GKF129R89 GKA129R89 GKAF129R89	4P			60	335	23.99	12	2.20	63			316	22.66	12	2.30					74	269	19.29	12	2.60			82	245	17.53	12	2.80	94			212	15.19	12	3.10	GK69 GKF69 GKA69 GKAF69			4P	0.70			37140	2054	171	1.30	GK129R79 GKF129R79 GKA129R79 GKAF129R79			4P	108	185	13.22	12	3.40	115			174	12.48	12	2.80	135			148	10.63			12	3.20	148	135	9.66					12	3.30	171			117	8.37	12	3.50	GK59 GKF59 GKA59 GKAF59	4P	0.79	32927	1821	171	1.50	GK109R79 GKF109R79 GKA109R79 GKAF109R79	4P	196	102			7.28	12	3.90	32	620							44.43	4.8	0.90					37	537	38.49	7.5	1.05	40	498	35.70	7.8	1.15	47	423	30.28	7.8			1.35	GK59 GKF59 GKA59 GKAF59	4P	1.0	25224	1395	171	1.95			GK109R79 GKF109R79 GKA109R79 GKAF109R79			4P	52	382	27.34					7.8	1.45	59	336			24.05	7.6	1.65	63	317	22.71	7.6	1.75	74	270			19.34	7.4	2.00	81	245	17.57	7.2	2.10	GK59 GKF59 GKA59 GKAF59	4P	1.2					21626	1196	171	2.30	GK109R79 GKF109R79 GKA109R79 GKAF109R79			4P	94	212	15.22	7.1			2.40	108	185	13.25	6.9	2.60	120	166	11.92	6.5					2.30	127	157	11.26	6.5	2.50	55	362	25.91	5.0	1.05	GK49 GKF49 GKA49 GKAF49	4P			1.2	22222	1229	104	0.80	GK109R79 GKF109R79 GKA109R79 GKAF109R79	4P	66	304	21.81	5.0	1.25			73	273	19.58	5.0	1.35	3.0	8607	476	77	1.50	GK109R79 GKF109R79 GKA109R79 GKAF109R79			4P	3.4	7594	420	77	1.70	3.9	6654	368	78	1.95	4.3	5985	331			78	2.15	5.0	5189	287	78	2.45	1.8	14284	790	73	0.90	GK109R79 GKF109R79 GKA109R79 GKAF109R79	4P	2.0	12729	704	75	1.00	2.3	11030	610	76	1.20	2.6			9927	549	77	1.30	3.0	8625	477	77	1.50	3.4	7576	419	77	1.75	GK109R79 GKF109R79 GKA109R79 GKAF109R79	4P	3.1	8336	461	62	0.95	3.5	7377	408	62	1.05	3.9	6582	364	62	1.20	4.5	5750	318	62	1.40	5.0	5171	286	62	1.55	GK109R79 GKF109R79 GKA109R79 GKAF109R79	4P	5.7	4538	251	62	1.75	6.4	4014	222	62	2.00	7.3
13	1579	113.10	14	0.90	GK79 GKF79 GKA79 GKAF79	4P	109	183	13.08	2.3	0.85	GK39 GKF39 GKA39 GKAF39	4P																																																																																																																																																																																																																																																																																																																																																																																																																																																																																																																																																																																													
15	1349	96.66	15	1.05			16	1237	88.61	16	1.15					18	1085	77.76			17	1.35					19		1029	73.69		17			1.40	22	900	64.49	17	1.60	25	811	58.10	18	1.80	GK79 GKF79 GKA79 GKAF79	4P	210	95	6.80	2.3	1.50	GK189R99 GKA189R99	4P	28	711	50.97	18	2.00	32	628	44.98	18	2.30				36	557				39.88	19	2.60	41	489			35.05			19			3.00	46	429	30.76	19	3.40	GK69 GKF69 GKA69 GKAF69	4P	0.47	55366	3062	160	0.90	GK169R99 GKA169R99	4P	49	407	29.15	19	3.60	56			356	25.51	19	4.10	24					847	60.66	9.0					0.90	25	799	57.28	10			0.95	29	681	48.77	11	1.15	GK69 GKF69 GKA69 GKAF69	4P	0.51	50954	2818	170	0.95	GK159R99 GKF159R99 GKA159R99 GKAF159R99	4P			32	619	44.32	11	1.25			37	536			38.39	11	1.40	40	497			35.61	12		1.55	47		422	30.21	12	1.80	52	381	27.27			12	2.00	GK69 GKF69 GKA69 GKAF69			4P	0.63	41009	2268	171			1.20	GK129R89 GKF129R89 GKA129R89 GKAF129R89	4P	60	335	23.99			12	2.20	63	316	22.66	12	2.30			74	269	19.29	12	2.60	82	245	17.53			12	2.80			94	212	15.19					12	3.10	GK69 GKF69 GKA69 GKAF69	4P	0.70	37140	2054	171	1.30	GK129R79 GKF129R79 GKA129R79 GKAF129R79	4P	108		185	13.22		12	3.40	115	174	12.48			12	2.80	135	148	10.63	12			3.20	148	135	9.66					12	3.30	171	117	8.37	12	3.50		GK59 GKF59 GKA59 GKAF59	4P		0.79	32927	1821	171	1.50	GK109R79 GKF109R79 GKA109R79 GKAF109R79			4P	196	102	7.28	12			3.90	32			620	44.43	4.8	0.90	37	537	38.49			7.5	1.05	40	498	35.70	7.8	1.15	47	423			30.28	7.8	1.35	GK59 GKF59 GKA59 GKAF59	4P			1.0	25224			1395	171	1.95	GK109R79 GKF109R79 GKA109R79 GKAF109R79	4P				52	382		27.34	7.8	1.45		59	336		24.05	7.6	1.65	63	317	22.71	7.6	1.75	74	270	19.34	7.4	2.00	81	245	17.57	7.2			2.10	GK59 GKF59 GKA59 GKAF59	4P	1.2	21626							1196	171	2.30					GK109R79 GKF109R79 GKA109R79 GKAF109R79	4P	94	212	15.22	7.1	2.40	108	185	13.25	6.9	2.60	120	166	11.92	6.5			2.30	127	157	11.26	6.5	2.50	55	362			25.91			5.0	1.05	GK49 GKF49 GKA49 GKAF49	4P	1.2	22222					1229	104	0.80	GK109R79 GKF109R79 GKA109R79 GKAF109R79			4P	66	304	21.81	5.0	1.25	73	273	19.58	5.0		1.35	3.0		8607	476	77	1.50	GK109R79 GKF109R79 GKA109R79 GKAF109R79	4P	3.4	7594	420	77	1.70					3.9	6654	368	78	1.95			4.3	5985	331	78	2.15			5.0	5189	287	78	2.45	1.8	14284	790	73	0.90					GK109R79 GKF109R79 GKA109R79 GKAF109R79	4P	2.0	12729	704	75	1.00	2.3	11030	610	76	1.20	2.6			9927	549	77	1.30	3.0	8625	477	77	1.50	3.4	7576	419			77	1.75	GK109R79 GKF109R79 GKA109R79 GKAF109R79	4P	3.1	8336	461	62	0.95	3.5	7377			408	62	1.05	3.9	6582	364	62	1.20	4.5	5750	318	62	1.40	5.0			5171	286	62	1.55	GK109R79 GKF109R79 GKA109R79 GKAF109R79	4P	5.7	4538	251	62	1.75	6.4	4014	222	62	2.00	7.3	3544	196	62	2.25																	
16	1237	88.61	16	1.15			18	1085	77.76	17	1.35					19	1029	73.69			17	1.40		22	900		64.49		17	1.60		25	811	58.10	18	1.80	GK79 GKF79 GKA79 GKAF79	4P	210	95	6.80	2.3	1.50	GK189R99 GKA189R99	4P			28	711	50.97	18	2.00			32	628	44.98	18	2.30	36	557	39.88	19	2.60			41	489	35.05	19			3.00	46	429	30.76	19	3.40	GK69 GKF69 GKA69 GKAF69	4P			0.47			55366	3062	160	0.90	GK169R99 GKA169R99	4P			49	407	29.15	19	3.60			56	356	25.51	19	4.10	24	847	60.66	9.0	0.90	25	799	57.28			10	0.95	29	681	48.77					11	1.15	GK69 GKF69 GKA69 GKAF69	4P	0.51			50954	2818	170	0.95	GK159R99 GKF159R99 GKA159R99 GKAF159R99	4P			32	619	44.32	11	1.25			37	536	38.39	11	1.40	40	497	35.61	12	1.55	47			422	30.21	12	1.80	52			381	27.27		12	2.00		GK69 GKF69 GKA69 GKAF69	4P	0.63	41009	2268	171	1.20			GK129R89 GKF129R89 GKA129R89 GKAF129R89	4P		60	335		23.99	12	2.20	63	316	22.66	12			2.30	74	269			19.29	12	2.60	82	245	17.53	12			2.80	94	212	15.19	12	3.10	GK69 GKF69 GKA69 GKAF69	4P			0.70	37140	2054	171	1.30	GK129R79 GKF129R79 GKA129R79 GKAF129R79	4P			108	185	13.22	12			3.40	115	174	12.48	12			2.80		135	148		10.63	12	3.20	148	135			9.66	12	3.30	171	117	8.37	12	3.50	GK59 GKF59 GKA59 GKAF59	4P	0.79	32927		1821	171		1.50	GK109R79 GKF109R79 GKA109R79 GKAF109R79	4P	196	102	7.28	12					3.90	32	620	44.43	4.8					0.90	37	537	38.49			7.5	1.05	40	498	35.70	7.8	1.15	47	423	30.28	7.8	1.35	GK59 GKF59 GKA59 GKAF59	4P	1.0	25224	1395	171	1.95	GK109R79 GKF109R79 GKA109R79 GKAF109R79	4P	52			382	27.34	7.8					1.45	59			336	24.05	7.6			1.65	63		317	22.71		7.6	1.75	74	270	19.34	7.4	2.00	81	245	17.57	7.2	2.10	GK59 GKF59 GKA59 GKAF59	4P	1.2	21626	1196	171	2.30	GK109R79 GKF109R79 GKA109R79 GKAF109R79	4P	94	212	15.22			7.1			2.40	108				185	13.25		6.9	2.60	120		166	11.92				6.5	2.30	127	157	11.26	6.5	2.50	55	362	25.91	5.0	1.05	GK49 GKF49 GKA49 GKAF49	4P	1.2	22222	1229	104	0.80	GK109R79 GKF109R79 GKA109R79 GKAF109R79	4P	66	304	21.81			5.0			1.25	73			273	19.58					5.0	1.35	3.0		8607	476		77	1.50	GK109R79 GKF109R79 GKA109R79 GKAF109R79	4P	3.4	7594	420	77	1.70		3.9	6654		368	78	1.95	4.3			5985	331	78	2.15	5.0			5189	287	78	2.45	1.8	14284	790			73	0.90	GK109R79 GKF109R79 GKA109R79 GKAF109R79	4P	2.0			12729	704	75	1.00	2.3	11030	610	76	1.20	2.6		9927	549				77	1.30	3.0	8625	477	77	1.50	3.4	7576	419	77			1.75	GK109R79 GKF109R79 GKA109R79 GKAF109R79	4P	3.1	8336	461	62	0.95	3.5	7377	408	62			1.05	3.9			6582	364	62	1.20	4.5	5750	318			62	1.40	5.0	5171	286	62	1.55	GK109R79 GKF109R79 GKA109R79 GKAF109R79	4P	5.7	4538	251	62	1.75			6.4	4014	222	62			2.00	7.3	3544	196	62	2.25																										
18	1085	77.76	17	1.35			19	1029	73.69	17	1.40					22	900	64.49	17	1.60	25	811		58.10	18		1.80	GK79 GKF79 GKA79 GKAF79	4P	210	95	6.80	2.3	1.50	GK189R99 GKA189R99	4P			28	711	50.97	18	2.00					32	628	44.98	18	2.30			36	557	39.88	19	2.60	41	489	35.05	19	3.00		46	429	30.76	19	3.40	GK69 GKF69 GKA69 GKAF69		4P	0.47	55366	3062	160	0.90			GK169R99 GKA169R99	4P	49			407	29.15	19	3.60					56	356	25.51	19	4.10			24	847	60.66	9.0	0.90	25	799	57.28	10	0.95	29	681	48.77	11	1.15	GK69 GKF69 GKA69 GKAF69	4P	0.51	50954	2818			170	0.95	GK159R99 GKF159R99 GKA159R99 GKAF159R99	4P			32			619	44.32	11	1.25					37	536	38.39	11	1.40			40	497	35.61	12	1.55	47	422	30.21	12	1.80	52	381	27.27	12	2.00	GK69 GKF69 GKA69 GKAF69	4P	0.63	41009	2268	171	1.20		GK129R89 GKF129R89 GKA129R89 GKAF129R89	4P				60	335	23.99	12	2.20						63	316		22.66	12	2.30	74	269	19.29	12			2.60	82	245	17.53	12	2.80	94	212	15.19	12	3.10	GK69 GKF69 GKA69 GKAF69	4P	0.70	37140	2054	171	1.30	GK129R79 GKF129R79 GKA129R79 GKAF129R79	4P					108	185	13.22	12	3.40					115	174	12.48	12			2.80	135	148	10.63	12			3.20	148	135	9.66	12	3.30	171	117	8.37	12	3.50	GK59 GKF59 GKA59 GKAF59	4P	0.79	32927	1821	171	1.50	GK109R79 GKF109R79 GKA109R79 GKAF109R79	4P			196	102		7.28	12		3.90			32	620	44.43	4.8					0.90	37	537	38.49	7.5		1.05	40		498	35.70	7.8	1.15	47	423	30.28	7.8	1.35	GK59 GKF59 GKA59 GKAF59	4P	1.0	25224	1395	171	1.95	GK109R79 GKF109R79 GKA109R79 GKAF109R79	4P			52	382	27.34	7.8	1.45			59			336	24.05	7.6					1.65	63	317	22.71	7.6	1.75	74			270	19.34	7.4	2.00	81	245	17.57	7.2	2.10	GK59 GKF59 GKA59 GKAF59	4P	1.2	21626	1196	171	2.30	GK109R79 GKF109R79 GKA109R79 GKAF109R79	4P			94	212	15.22	7.1	2.40			108	185	13.25			6.9			2.60	120	166	11.92		6.5	2.30		127	157	11.26	6.5	2.50	55	362			25.91	5.0	1.05	GK49 GKF49 GKA49 GKAF49	4P	1.2	22222	1229	104	0.80	GK109R79 GKF109R79 GKA109R79 GKAF109R79	4P			66	304	21.81	5.0	1.25			73	273	19.58			5.0	1.35	3.0	8607	476			77	1.50		GK109R79 GKF109R79 GKA109R79 GKAF109R79	4P		3.4	7594	420		77	1.70		3.9	6654			368	78	1.95	4.3	5985	331	78	2.15	5.0	5189	287	78	2.45			1.8	14284	790	73	0.90			GK109R79 GKF109R79 GKA109R79 GKAF109R79	4P	2.0	12729	704	75	1.00			2.3	11030			610	76	1.20	2.6	9927	549	77	1.30	3.0	8625	477	77	1.50		3.4	7576				419	77	1.75	GK109R79 GKF109R79 GKA109R79 GKAF109R79	4P	3.1	8336	461	62	0.95	3.5	7377	408	62			1.05	3.9	6582	364	62	1.20	4.5	5750	318			62	1.40			5.0	5171	286	62	1.55	GK109R79 GKF109R79 GKA109R79 GKAF109R79	4P	5.7	4538	251	62	1.75	6.4	4014	222	62			2.00	7.3	3544	196	62			2.25																																					
19	1029	73.69	17	1.40			22	900	64.49	17	1.60			25	811	58.10	18	1.80	GK79 GKF79 GKA79 GKAF79	4P	210	95	6.80	2.3	1.50	GK189R99 GKA189R99	4P			28	711	50.97	18	2.00					32	628	44.98	18	2.30					36	557	39.88	19	2.60			41	489	35.05	19	3.00	46	429	30.76	19	3.40	GK69 GKF69 GKA69 GKAF69	4P	0.47	55366	3062	160		0.90		GK169R99 GKA169R99	4P	49	407	29.15					19	3.60	56	356	25.51	19	4.10					24	847	60.66	9.0	0.90			25	799	57.28	10	0.95	29	681	48.77	11	1.15	GK69 GKF69 GKA69 GKAF69	4P	0.51	50954	2818			170	0.95	GK159R99 GKF159R99 GKA159R99 GKAF159R99	4P	32	619	44.32					11	1.25	37	536	38.39	11	1.40					40	497	35.61	12	1.55			47	422	30.21	12	1.80	52	381	27.27	12	2.00	GK69 GKF69 GKA69 GKAF69	4P	0.63	41009	2268			171	1.20	GK129R89 GKF129R89 GKA129R89 GKAF129R89	4P	60	335			23.99			12	2.20	63	316	22.66	12	2.30				74	269		19.29	12	2.60	82	245	17.53	12			2.80	94	212	15.19	12	3.10	GK69 GKF69 GKA69 GKAF69	4P	0.70	37140	2054			171	1.30	GK129R79 GKF129R79 GKA129R79 GKAF129R79	4P	108					185	13.22	12	3.40	115	174	12.48			12	2.80	135	148	10.63	12			3.20	148	135	9.66	12			3.30	171	117	8.37	12	3.50	GK59 GKF59 GKA59 GKAF59	4P	0.79	32927	1821			171	1.50	GK109R79 GKF109R79 GKA109R79 GKAF109R79	4P	196					102	7.28	12	3.90	32	620	44.43			4.8	0.90	37	537	38.49			7.5	1.05	40	498	35.70	7.8		1.15	47		423	30.28	7.8	1.35	GK59 GKF59 GKA59 GKAF59	4P	1.0	25224	1395			171	1.95	GK109R79 GKF109R79 GKA109R79 GKAF109R79	4P	52					382	27.34	7.8	1.45	59			336	24.05	7.6	1.65	63	317			22.71	7.6	1.75	74	270	19.34	7.4	2.00	81			245	17.57	7.2	2.10	GK59 GKF59 GKA59 GKAF59	4P	1.2	21626	1196			171	2.30	GK109R79 GKF109R79 GKA109R79 GKAF109R79	4P	94					212	15.22	7.1	2.40	108			185	13.25	6.9	2.60	120	166			11.92	6.5	2.30	127	157	11.26	6.5	2.50	55	362	25.91	5.0	1.05	GK49 GKF49 GKA49 GKAF49	4P			1.2	22222	1229			104	0.80	GK109R79 GKF109R79 GKA109R79 GKAF109R79	4P	66					304	21.81	5.0	1.25	73			273	19.58	5.0	1.35	3.0	8607	476	77	1.50	GK109R79 GKF109R79 GKA109R79 GKAF109R79			4P	3.4	7594			420	77	1.70	3.9		6654	368		78	1.95			4.3	5985	331	78	2.15	5.0	5189	287	78	2.45	1.8	14284	790			73	0.90	GK109R79 GKF109R79 GKA109R79 GKAF109R79	4P	2.0	12729	704			75	1.00	2.3	11030	610	76	1.20	2.6	9927			549	77	1.30	3.0	8625	477	77	1.50	3.4	7576	419	77	1.75	GK109R79 GKF109R79 GKA109R79 GKAF109R79	4P	3.1	8336			461	62	0.95			3.5	7377	408	62	1.05	3.9	6582	364	62			1.20	4.5	5750	318	62	1.40	5.0	5171	286	62	1.55	GK109R79 GKF109R79 GKA109R79 GKAF109R79	4P			5.7	4538	251	62	1.75			6.4	4014	222	62	2.00	7.3	3544	196	62			2.25																																												
22	900	64.49	17	1.60	25	811	58.10	18	1.80	GK79 GKF79 GKA79 GKAF79	4P	210	95	6.80	2.3	1.50	GK189R99 GKA189R99	4P			28	711	50.97	18	2.00					32	628	44.98	18	2.30					36	557	39.88	19	2.60					41	489	35.05	19	3.00			46	429	30.76	19	3.40	GK69 GKF69 GKA69 GKAF69	4P	0.47	55366	3062			160	0.90	GK169R99 GKA169R99	4P		49				407	29.15	19					3.60	56	356	25.51	19	4.10	24					847	60.66	9.0	0.90	25			799	57.28	10	0.95	29	681	48.77	11	1.15	GK69 GKF69 GKA69 GKAF69			4P	0.51	50954			2818	170			0.95	GK159R99 GKF159R99 GKA159R99 GKAF159R99	4P					32	619	44.32	11	1.25	37	536					38.39	11	1.40	40	497			35.61	12	1.55	47	422	30.21	12	1.80	52	381			27.27	12	2.00			GK69 GKF69 GKA69 GKAF69	4P			0.63	41009			2268			171	1.20	GK129R89 GKF129R89 GKA129R89 GKAF129R89	4P	60	335	23.99				12	2.20		63	316	22.66	12	2.30	74	269			19.29	12	2.60	82	245	17.53			12	2.80	94			212	15.19			12					3.10	GK69 GKF69 GKA69 GKAF69	4P	0.70	37140	2054	171			1.30	GK129R79 GKF129R79 GKA129R79 GKAF129R79	4P	108	185	13.22			12	3.40	115	174	12.48			12	2.80	135	148	10.63	12			3.20	148	135			9.66	12			3.30					171	117	8.37	12	3.50	GK59 GKF59 GKA59 GKAF59	4P			0.79	32927	1821	171	1.50			GK109R79 GKF109R79 GKA109R79 GKAF109R79	4P	196	102	7.28	12		3.90	32		620	44.43	4.8	0.90			37	537	38.49			7.5	1.05			40					498	35.70	7.8	1.15	47			423	30.28	7.8	1.35	GK59 GKF59 GKA59 GKAF59	4P			1.0	25224	1395	171	1.95	GK109R79 GKF109R79 GKA109R79 GKAF109R79	4P	52	382			27.34	7.8	1.45	59			336	24.05	7.6			1.65	63			317					22.71	7.6	1.75	74	270			19.34	7.4	2.00	81	245	17.57			7.2	2.10	GK59 GKF59 GKA59 GKAF59	4P	1.2	21626	1196	171	2.30	GK109R79 GKF109R79 GKA109R79 GKAF109R79	4P	94	212					15.22	7.1	2.40			108	185			13.25					6.9	2.60	120	166	11.92			6.5	2.30	127	157	11.26	6.5	2.50	55	362					25.91	5.0			1.05	GK49 GKF49 GKA49 GKAF49	4P	1.2		22222	1229		104	0.80			GK109R79 GKF109R79 GKA109R79 GKAF109R79	4P	66	304	21.81	5.0	1.25	73	273	19.58	5.0	1.35	3.0			8607	476			77	1.50	GK109R79 GKF109R79 GKA109R79 GKAF109R79			4P	3.4	7594	420	77	1.70	3.9	6654	368			78	1.95	4.3	5985	331	78	2.15	5.0	5189	287	78	2.45	1.8			14284	790			73	0.90	GK109R79 GKF109R79 GKA109R79 GKAF109R79			4P	2.0	12729	704	75	1.00	2.3	11030	610			76	1.20	2.6	9927	549	77	1.30	3.0	8625	477	77					1.50	3.4	7576	419	77			1.75	GK109R79 GKF109R79 GKA109R79 GKAF109R79	4P	3.1	8336	461	62	0.95	3.5			7377	408	62	1.05	3.9	6582	364	62	1.20	4.5	5750			318	62	1.40	5.0	5171	286	62	1.55	GK109R79 GKF109R79 GKA109R79 GKAF109R79	4P	5.7	4538	251	62	1.75	6.4	4014	222	62	2.00	7.3	3544	196	62	2.25							
25	811	58.10	18	1.80	GK79 GKF79 GKA79 GKAF79	4P	210	95	6.80			2.3	1.50	GK189R99 GKA189R99	4P																																																																																																																																																																																																																																																																																																																																																																																																																																																																																																																																																																																											
28	711	50.97	18	2.00			32	628	44.98			18	2.30			36					557	39.88	19	2.60	41					489	35.05	19	3.00	46			429	30.76	19	3.40	GK69 GKF69 GKA69 GKAF69	4P	0.47	55366	3062	160	0.90	GK169R99 GKA169R99	4P	49	407	29.15	19	3.60	56	356	25.51	19	4.10			24	847	60.66			9.0	0.90				25				799	57.28	10	0.95	29			681	48.77	11	1.15	GK69 GKF69 GKA69 GKAF69	4P	0.51	50954	2818	170	0.95	GK159R99 GKF159R99 GKA159R99 GKAF159R99	4P	32	619	44.32	11	1.25	37	536	38.39	11	1.40	40	497	35.61	12					1.55	47			422	30.21			12					1.80	52	381	27.27	12	2.00	GK69 GKF69 GKA69 GKAF69	4P	0.63	41009	2268	171	1.20	GK129R89 GKF129R89 GKA129R89 GKAF129R89	4P	60	335	23.99	12	2.20	63	316	22.66	12	2.30	74	269	19.29	12	2.60			82	245	17.53							12	2.80			94	212	15.19	12	3.10			GK69 GKF69 GKA69 GKAF69	4P	0.70	37140	2054	171	1.30	GK129R79 GKF129R79 GKA129R79 GKAF129R79	4P	108	185	13.22	12	3.40	115	174	12.48	12	2.80	135	148	10.63	12	3.20			148	135	9.66			12	3.30			171			117	8.37	12			3.50	GK59 GKF59 GKA59 GKAF59	4P	0.79	32927	1821	171			1.50	GK109R79 GKF109R79 GKA109R79 GKAF109R79	4P	196	102	7.28	12	3.90	32	620	44.43	4.8	0.90	37	537	38.49	7.5	1.05			40	498	35.70			7.8	1.15			47			423	30.28	7.8	1.35	GK59 GKF59 GKA59 GKAF59	4P	1.0			25224	1395	171	1.95	GK109R79 GKF109R79 GKA109R79 GKAF109R79	4P	52	382	27.34			7.8	1.45	59	336	24.05	7.6	1.65	63	317	22.71	7.6	1.75			74	270	19.34			7.4	2.00			81			245	17.57	7.2	2.10	GK59 GKF59 GKA59 GKAF59	4P	1.2	21626	1196	171	2.30	GK109R79 GKF109R79 GKA109R79 GKAF109R79	4P			94	212	15.22	7.1	2.40	108	185			13.25	6.9	2.60	120	166	11.92	6.5	2.30			127	157	11.26			6.5	2.50			55			362	25.91	5.0	1.05	GK49 GKF49 GKA49 GKAF49	4P	1.2	22222	1229	104	0.80	GK109R79 GKF109R79 GKA109R79 GKAF109R79	4P	66	304	21.81	5.0	1.25	73			273	19.58	5.0	1.35	3.0			8607	476			77	1.50	GK109R79 GKF109R79 GKA109R79 GKAF109R79	4P	3.4			7594	420			77			1.70	3.9	6654	368	78	1.95	4.3	5985	331	78	2.15	5.0	5189	287	78	2.45	1.8	14284		790	73		0.90	GK109R79 GKF109R79 GKA109R79 GKAF109R79			4P			2.0	12729	704	75	1.00	2.3	11030	610	76			1.20	2.6	9927	549	77	1.30	3.0	8625	477	77	1.50	3.4	7576	419	77			1.75	GK109R79 GKF109R79 GKA109R79 GKAF109R79					4P	3.1	8336	461	62	0.95	3.5	7377	408	62	1.05	3.9	6582	364	62	1.20	4.5	5750	318	62	1.40	5.0	5171			286	62	1.55	GK109R79 GKF109R79 GKA109R79 GKAF109R79	4P	5.7					4538	251	62	1.75	6.4	4014	222	62	2.00	7.3	3544	196	62	2.25																																																																										
32	628	44.98	18	2.30			36	557	39.88			19	2.60			41					489	35.05	19	3.00	46			429	30.76	19	3.40	GK69 GKF69 GKA69 GKAF69	4P	0.47	55366	3062	160	0.90	GK169R99 GKA169R99	4P			49	407	29.15	19	3.60			56	356	25.51	19	4.10	24	847	60.66	9.0	0.90			25	799	57.28			10	0.95			29	681	48.77			11	1.15	GK69 GKF69 GKA69 GKAF69	4P	0.51	50954	2818	170	0.95	GK159R99 GKF159R99 GKA159R99 GKAF159R99	4P			32	619	44.32	11	1.25			37	536	38.39	11	1.40	40	497	35.61	12	1.55	47	422	30.21	12					1.80	52	381	27.27	12	2.00			GK69 GKF69 GKA69 GKAF69			4P	0.63	41009	2268	171	1.20	GK129R89 GKF129R89 GKA129R89 GKAF129R89	4P			60	335	23.99	12	2.20			63	316	22.66	12	2.30	74	269	19.29	12	2.60	82	245	17.53	12	2.80			94	212	15.19	12	3.10					GK69 GKF69 GKA69 GKAF69	4P	0.70	37140	2054	171	1.30	GK129R79 GKF129R79 GKA129R79 GKAF129R79	4P					108	185	13.22	12	3.40			115	174	12.48	12	2.80	135	148	10.63	12	3.20	148	135	9.66	12	3.30			171	117	8.37	12	3.50	GK59 GKF59 GKA59 GKAF59	4P			0.79	32927	1821	171	1.50	GK109R79 GKF109R79 GKA109R79 GKAF109R79			4P			196	102	7.28	12			3.90			32	620	44.43	4.8	0.90	37	537	38.49	7.5	1.05	40	498	35.70	7.8	1.15			47	423	30.28	7.8	1.35	GK59 GKF59 GKA59 GKAF59	4P			1.0	25224	1395	171	1.95	GK109R79 GKF109R79 GKA109R79 GKAF109R79	4P			52			382	27.34	7.8	1.45			59	336	24.05			7.6	1.65	63	317	22.71	7.6	1.75	74	270	19.34	7.4	2.00			81	245	17.57	7.2	2.10	GK59 GKF59 GKA59 GKAF59	4P			1.2	21626	1196	171	2.30	GK109R79 GKF109R79 GKA109R79 GKAF109R79	4P			94	212	15.22	7.1	2.40					108	185	13.25	6.9	2.60	120	166			11.92	6.5	2.30	127	157	11.26	6.5	2.50			55	362	25.91	5.0	1.05	GK49 GKF49 GKA49 GKAF49	4P			1.2	22222	1229	104	0.80	GK109R79 GKF109R79 GKA109R79 GKAF109R79	4P			66	304	21.81	5.0	1.25			73	273	19.58	5.0	1.35	3.0			8607	476	77	1.50	GK109R79 GKF109R79 GKA109R79 GKAF109R79			4P	3.4			7594	420			77	1.70	3.9	6654	368			78	1.95	4.3	5985	331	78	2.15	5.0	5189	287	78	2.45	1.8	14284	790	73	0.90	GK109R79 GKF109R79 GKA109R79 GKAF109R79	4P	2.0	12729		704	75		1.00		2.3	11030				610	76	1.20	2.6	9927	549	77	1.30	3.0			8625	477	77	1.50	3.4	7576	419	77	1.75	GK109R79 GKF109R79 GKA109R79 GKAF109R79	4P	3.1	8336	461	62			0.95			3.5	7377			408	62	1.05	3.9	6582	364	62	1.20	4.5	5750	318	62	1.40	5.0	5171	286	62	1.55	GK109R79 GKF109R79 GKA109R79 GKAF109R79	4P	5.7	4538			251	62	1.75			6.4		4014	222		62	2.00	7.3	3544	196	62	2.25																																																																																	
36	557	39.88	19	2.60			41	489	35.05			19	3.00			46			429	30.76	19	3.40	GK69 GKF69 GKA69 GKAF69	4P	0.47	55366	3062	160	0.90	GK169R99 GKA169R99	4P			49	407	29.15	19	3.60					56	356	25.51	19	4.10			24	847	60.66	9.0	0.90	25	799	57.28	10	0.95			29	681	48.77	11	1.15	GK69 GKF69 GKA69 GKAF69	4P			0.51	50954	2818	170	0.95	GK159R99 GKF159R99 GKA159R99 GKAF159R99	4P			32	619	44.32	11	1.25					37	536	38.39	11	1.40			40	497	35.61	12	1.55	47	422	30.21	12	1.80	52	381	27.27	12		2.00	GK69 GKF69 GKA69 GKAF69		4P	0.63	41009	2268	171	1.20	GK129R89 GKF129R89 GKA129R89 GKAF129R89	4P					60	335	23.99	12	2.20					63	316	22.66	12	2.30			74	269	19.29	12	2.60	82	245	17.53	12	2.80	94	212	15.19	12	3.10	GK69 GKF69 GKA69 GKAF69	4P	0.70	37140	2054	171	1.30			GK129R79 GKF129R79 GKA129R79 GKAF129R79	4P			108	185	13.22	12	3.40							115	174	12.48	12	2.80			135	148	10.63	12	3.20	148	135	9.66	12	3.30	171	117	8.37	12	3.50	GK59 GKF59 GKA59 GKAF59	4P	0.79	32927	1821	171	1.50			GK109R79 GKF109R79 GKA109R79 GKAF109R79	4P	196	102	7.28	12	3.90							32	620	44.43	4.8			0.90			37	537	38.49	7.5	1.05	40	498	35.70	7.8	1.15	47	423	30.28	7.8	1.35	GK59 GKF59 GKA59 GKAF59	4P	1.0	25224	1395	171	1.95			GK109R79 GKF109R79 GKA109R79 GKAF109R79	4P	52	382	27.34	7.8	1.45					59			336	24.05	7.6	1.65			63	317	22.71			7.6	1.75	74	270	19.34	7.4	2.00	81	245	17.57	7.2	2.10	GK59 GKF59 GKA59 GKAF59	4P	1.2	21626	1196	171	2.30			GK109R79 GKF109R79 GKA109R79 GKAF109R79	4P	94	212	15.22	7.1	2.40					108	185	13.25	6.9	2.60					120	166	11.92	6.5	2.30	127	157			11.26	6.5	2.50	55	362	25.91	5.0	1.05	GK49 GKF49 GKA49 GKAF49	4P	1.2	22222	1229	104	0.80			GK109R79 GKF109R79 GKA109R79 GKAF109R79	4P	66	304	21.81	5.0	1.25					73	273	19.58	5.0	1.35			3.0	8607	476	77	1.50	GK109R79 GKF109R79 GKA109R79 GKAF109R79			4P	3.4	7594	420					77	1.70	3.9	6654	368			78	1.95	4.3	5985	331	78	2.15	5.0	5189	287	78	2.45	1.8	14284	790	73	0.90	GK109R79 GKF109R79 GKA109R79 GKAF109R79	4P	2.0	12729	704	75	1.00			2.3	11030	610	76	1.20	2.6	9927		549	77				1.30	3.0	8625	477	77	1.50	3.4	7576	419			77	1.75	GK109R79 GKF109R79 GKA109R79 GKAF109R79	4P	3.1	8336	461	62	0.95			3.5	7377	408	62	1.05	3.9	6582			364	62			1.20	4.5	5750	318	62	1.40	5.0	5171	286	62	1.55	GK109R79 GKF109R79 GKA109R79 GKAF109R79	4P	5.7	4538	251	62	1.75			6.4	4014	222	62	2.00	7.3	3544			196		62	2.25																																																																																									
41	489	35.05	19	3.00			46	429	30.76	19	3.40	GK69 GKF69 GKA69 GKAF69	4P			0.47	55366	3062	160	0.90	GK169R99 GKA169R99	4P			49	407	29.15	19	3.60					56	356	25.51	19	4.10					24	847	60.66	9.0	0.90			25	799	57.28	10	0.95	29	681	48.77	11	1.15	GK69 GKF69 GKA69 GKAF69	4P	0.51	50954	2818	170	0.95			GK159R99 GKF159R99 GKA159R99 GKAF159R99	4P	32	619	44.32	11	1.25					37	536	38.39	11	1.40					40	497	35.61	12	1.55			47	422	30.21	12	1.80	52	381	27.27	12	2.00	GK69 GKF69 GKA69 GKAF69	4P	0.63	41009	2268	171		1.20		GK129R89 GKF129R89 GKA129R89 GKAF129R89	4P	60	335	23.99				12	2.20		63	316	22.66	12	2.30					74	269	19.29	12	2.60			82	245	17.53	12	2.80	94	212	15.19	12	3.10	GK69 GKF69 GKA69 GKAF69	4P	0.70	37140	2054			171	1.30	GK129R79 GKF129R79 GKA129R79 GKAF129R79	4P	108	185	13.22					12	3.40	115	174	12.48			12	2.80			135	148	10.63	12	3.20			148	135	9.66	12	3.30	171	117	8.37	12	3.50	GK59 GKF59 GKA59 GKAF59	4P	0.79	32927	1821			171	1.50	GK109R79 GKF109R79 GKA109R79 GKAF109R79	4P	196					102	7.28	12	3.90	32		620	44.43				4.8	0.90	37	537	38.49	7.5	1.05			40	498	35.70	7.8	1.15	47	423	30.28	7.8	1.35	GK59 GKF59 GKA59 GKAF59	4P	1.0	25224	1395			171	1.95	GK109R79 GKF109R79 GKA109R79 GKAF109R79	4P	52					382	27.34	7.8	1.45	59					336	24.05	7.6	1.65	63	317	22.71			7.6	1.75	74	270	19.34	7.4	2.00	81	245	17.57	7.2	2.10	GK59 GKF59 GKA59 GKAF59	4P	1.2	21626	1196			171	2.30	GK109R79 GKF109R79 GKA109R79 GKAF109R79	4P	94					212	15.22	7.1	2.40	108					185	13.25	6.9	2.60	120			166	11.92	6.5	2.30	127	157	11.26	6.5	2.50	55	362	25.91	5.0	1.05	GK49 GKF49 GKA49 GKAF49	4P	1.2	22222	1229			104	0.80	GK109R79 GKF109R79 GKA109R79 GKAF109R79	4P	66					304	21.81	5.0	1.25	73					273	19.58	5.0	1.35	3.0			8607	476	77	1.50	GK109R79 GKF109R79 GKA109R79 GKAF109R79		4P	3.4		7594	420	77		1.70	3.9		6654	368	78	1.95	4.3			5985	331	78	2.15	5.0	5189	287	78	2.45	1.8	14284	790	73	0.90	GK109R79 GKF109R79 GKA109R79 GKAF109R79	4P	2.0			12729	704	75	1.00	2.3			11030	610	76	1.20	2.6	9927	549		77	1.30		3.0	8625	477	77	1.50	3.4	7576	419	77	1.75	GK109R79 GKF109R79 GKA109R79 GKAF109R79	4P	3.1	8336	461			62	0.95	3.5	7377	408			62	1.05	3.9	6582	364	62	1.20		4.5	5750	318	62		1.40	5.0	5171	286	62	1.55	GK109R79 GKF109R79 GKA109R79 GKAF109R79	4P	5.7	4538	251			62	1.75	6.4	4014	222			62	2.00	7.3	3544	196	62	2.25																																																																																															
46	429	30.76	19	3.40	GK69 GKF69 GKA69 GKAF69	4P	0.47	55366	3062	160	0.90			GK169R99 GKA169R99	4P																																																																																																																																																																																																																																																																																																																																																																																																																																																																																																																																																																																											
49	407	29.15	19	3.60			56	356	25.51	19	4.10					24	847	60.66	9.0	0.90					25	799	57.28	10	0.95					29	681	48.77	11	1.15			GK69 GKF69 GKA69 GKAF69	4P	0.51	50954	2818	170	0.95	GK159R99 GKF159R99 GKA159R99 GKAF159R99	4P	32	619	44.32	11	1.25	37	536	38.39	11	1.40			40	497	35.61	12	1.55					47	422	30.21	12	1.80					52	381	27.27	12	2.00			GK69 GKF69 GKA69 GKAF69	4P	0.63	41009	2268	171	1.20	GK129R89 GKF129R89 GKA129R89 GKAF129R89	4P	60	335	23.99	12	2.20	63	316	22.66	12	2.30			74	269	19.29	12		2.60				82	245	17.53				12	2.80		94	212	15.19	12	3.10			GK69 GKF69 GKA69 GKAF69	4P	0.70	37140	2054	171	1.30	GK129R79 GKF129R79 GKA129R79 GKAF129R79	4P	108	185	13.22	12	3.40	115	174	12.48	12	2.80			135	148	10.63			12	3.20			148	135	9.66					12	3.30	171	117	8.37			12	3.50	GK59 GKF59 GKA59 GKAF59	4P	0.79	32927	1821	171	1.50	GK109R79 GKF109R79 GKA109R79 GKAF109R79	4P	196	102	7.28	12	3.90	32	620	44.43	4.8	0.90			37	537	38.49			7.5	1.05			40					498	35.70	7.8	1.15	47		423	30.28		7.8	1.35	GK59 GKF59 GKA59 GKAF59	4P	1.0	25224	1395	171	1.95	GK109R79 GKF109R79 GKA109R79 GKAF109R79	4P	52	382	27.34	7.8	1.45	59	336	24.05	7.6	1.65			63	317	22.71			7.6	1.75			74					270	19.34	7.4	2.00	81			245	17.57	7.2	2.10	GK59 GKF59 GKA59 GKAF59	4P	1.2	21626	1196	171	2.30	GK109R79 GKF109R79 GKA109R79 GKAF109R79	4P	94	212	15.22	7.1	2.40	108	185	13.25	6.9	2.60			120	166	11.92			6.5	2.30			127					157	11.26	6.5	2.50	55			362	25.91	5.0	1.05	GK49 GKF49 GKA49 GKAF49	4P	1.2	22222	1229	104	0.80	GK109R79 GKF109R79 GKA109R79 GKAF109R79	4P	66	304	21.81	5.0	1.25	73	273	19.58	5.0	1.35			3.0	8607	476			77	1.50			GK109R79 GKF109R79 GKA109R79 GKAF109R79					4P	3.4	7594	420	77			1.70	3.9	6654	368	78	1.95	4.3	5985	331	78	2.15	5.0	5189				287		78	2.45	1.8		14284	790		73	0.90	GK109R79 GKF109R79 GKA109R79 GKAF109R79	4P	2.0	12729	704	75	1.00	2.3	11030	610	76	1.20	2.6	9927	549	77	1.30	3.0	8625			477			77	1.50	3.4	7576	419			77	1.75	GK109R79 GKF109R79 GKA109R79 GKAF109R79	4P	3.1	8336	461	62	0.95	3.5	7377	408	62	1.05	3.9	6582	364	62	1.20	4.5	5750			318	62	1.40			5.0	5171	286	62	1.55			GK109R79 GKF109R79 GKA109R79 GKAF109R79	4P	5.7	4538	251	62	1.75	6.4	4014	222	62	2.00	7.3	3544	196	62	2.25																																																																																																																						
56	356	25.51	19	4.10			24	847	60.66	9.0	0.90					25	799	57.28	10	0.95					29	681	48.77	11	1.15			GK69 GKF69 GKA69 GKAF69	4P	0.51	50954	2818	170	0.95	GK159R99 GKF159R99 GKA159R99 GKAF159R99	4P			32	619	44.32	11	1.25			37	536	38.39	11	1.40	40	497	35.61	12	1.55			47	422	30.21	12	1.80					52	381	27.27	12	2.00			GK69 GKF69 GKA69 GKAF69	4P	0.63	41009	2268	171	1.20	GK129R89 GKF129R89 GKA129R89 GKAF129R89	4P			60	335	23.99	12	2.20			63	316	22.66	12	2.30	74	269	19.29	12	2.60			82	245	17.53	12		2.80				94	212	15.19			12	3.10	GK69 GKF69 GKA69 GKAF69	4P	0.70	37140	2054	171	1.30	GK129R79 GKF129R79 GKA129R79 GKAF129R79	4P			108	185	13.22	12	3.40			115	174	12.48	12	2.80	135	148	10.63	12	3.20			148	135	9.66			12	3.30			171	117	8.37			12	3.50	GK59 GKF59 GKA59 GKAF59	4P	0.79	32927	1821	171	1.50	GK109R79 GKF109R79 GKA109R79 GKAF109R79	4P			196	102	7.28	12	3.90			32	620	44.43	4.8	0.90	37	537	38.49	7.5	1.05			40	498	35.70			7.8	1.15			47	423	30.28			7.8	1.35	GK59 GKF59 GKA59 GKAF59	4P	1.0	25224	1395	171	1.95	GK109R79 GKF109R79 GKA109R79 GKAF109R79	4P			52	382	27.34	7.8	1.45			59	336	24.05	7.6	1.65	63	317	22.71	7.6	1.75			74	270	19.34			7.4	2.00			81	245	17.57			7.2	2.10	GK59 GKF59 GKA59 GKAF59	4P	1.2	21626	1196	171	2.30	GK109R79 GKF109R79 GKA109R79 GKAF109R79	4P			94	212	15.22	7.1	2.40			108	185	13.25	6.9	2.60	120	166	11.92	6.5	2.30			127	157	11.26			6.5	2.50			55	362	25.91			5.0	1.05	GK49 GKF49 GKA49 GKAF49	4P	1.2	22222	1229	104	0.80	GK109R79 GKF109R79 GKA109R79 GKAF109R79	4P			66	304	21.81	5.0	1.25			73	273	19.58	5.0	1.35	3.0	8607	476	77	1.50			GK109R79 GKF109R79 GKA109R79 GKAF109R79	4P	3.4			7594	420				77	1.70				3.9	6654	368	78	1.95	4.3	5985	331	78	2.15	5.0	5189	287	78	2.45	1.8	14284	790	73				0.90		GK109R79 GKF109R79 GKA109R79 GKAF109R79	4P	2.0	12729	704	75	1.00	2.3	11030			610	76	1.20	2.6	9927	549	77	1.30	3.0	8625	477	77	1.50	3.4	7576	419	77			1.75			GK109R79 GKF109R79 GKA109R79 GKAF109R79	4P	3.1	8336	461	62	0.95	3.5	7377			408	62	1.05	3.9	6582	364	62	1.20	4.5	5750	318	62	1.40	5.0	5171	286	62			1.55	GK109R79 GKF109R79 GKA109R79 GKAF109R79	4P			5.7	4538	251	62	1.75	6.4	4014			222	62	2.00	7.3	3544	196	62	2.25																																																																																																																													
24	847	60.66	9.0	0.90			25	799	57.28	10	0.95					29	681	48.77	11	1.15			GK69 GKF69 GKA69 GKAF69	4P	0.51	50954	2818	170	0.95	GK159R99 GKF159R99 GKA159R99 GKAF159R99	4P			32	619	44.32	11	1.25					37	536	38.39	11	1.40			40	497	35.61	12	1.55	47	422	30.21	12	1.80			52	381	27.27	12	2.00	GK69 GKF69 GKA69 GKAF69	4P			0.63	41009	2268	171	1.20	GK129R89 GKF129R89 GKA129R89 GKAF129R89	4P			60	335	23.99	12	2.20					63	316	22.66	12	2.30			74	269	19.29	12	2.60	82	245	17.53	12	2.80			94	212	15.19	12	3.10	GK69 GKF69 GKA69 GKAF69	4P			0.70	37140	2054	171	1.30	GK129R79 GKF129R79 GKA129R79 GKAF129R79	4P			108	185	13.22	12	3.40					115	174	12.48	12	2.80			135	148	10.63	12	3.20	148	135	9.66	12	3.30			171	117	8.37	12	3.50	GK59 GKF59 GKA59 GKAF59	4P			0.79	32927	1821	171	1.50	GK109R79 GKF109R79 GKA109R79 GKAF109R79	4P			196	102	7.28	12	3.90					32	620	44.43	4.8	0.90			37	537	38.49	7.5	1.05	40	498	35.70	7.8	1.15			47	423	30.28	7.8	1.35	GK59 GKF59 GKA59 GKAF59	4P			1.0	25224	1395	171	1.95	GK109R79 GKF109R79 GKA109R79 GKAF109R79	4P			52	382	27.34	7.8	1.45					59	336	24.05	7.6	1.65			63	317	22.71	7.6	1.75	74	270	19.34	7.4	2.00			81	245	17.57	7.2	2.10	GK59 GKF59 GKA59 GKAF59	4P			1.2	21626	1196	171	2.30	GK109R79 GKF109R79 GKA109R79 GKAF109R79	4P			94	212	15.22	7.1	2.40					108	185	13.25	6.9	2.60			120	166	11.92	6.5	2.30	127	157	11.26	6.5	2.50			55	362	25.91	5.0	1.05	GK49 GKF49 GKA49 GKAF49	4P			1.2	22222	1229	104	0.80	GK109R79 GKF109R79 GKA109R79 GKAF109R79	4P			66	304	21.81	5.0	1.25					73	273	19.58	5.0	1.35			3.0	8607	476	77	1.50	GK109R79 GKF109R79 GKA109R79 GKAF109R79	4P	3.4	7594	420					77	1.70	3.9	6654	368				78	1.95	4.3	5985		331	78	2.15	5.0	5189	287	78	2.45	1.8	14284	790	73	0.90	GK109R79 GKF109R79 GKA109R79 GKAF109R79	4P	2.0	12729	704	75		1.00		2.3	11030			610	76	1.20	2.6	9927	549	77			1.30	3.0	8625	477	77	1.50	3.4	7576	419	77	1.75	GK109R79 GKF109R79 GKA109R79 GKAF109R79	4P	3.1	8336	461	62			0.95	3.5	7377			408	62	1.05	3.9	6582	364	62			1.20	4.5	5750	318	62	1.40	5.0	5171	286	62	1.55	GK109R79 GKF109R79 GKA109R79 GKAF109R79	4P	5.7	4538	251	62			1.75			6.4	4014	222	62	2.00	7.3	3544	196	62			2.25																																																																																																																																				
25	799	57.28	10	0.95			29	681	48.77	11	1.15	GK69 GKF69 GKA69 GKAF69	4P			0.51	50954	2818	170	0.95	GK159R99 GKF159R99 GKA159R99 GKAF159R99	4P			32	619	44.32	11	1.25					37	536	38.39	11	1.40					40	497	35.61	12	1.55			47	422	30.21	12	1.80	52	381	27.27	12	2.00	GK69 GKF69 GKA69 GKAF69	4P	0.63	41009	2268	171	1.20			GK129R89 GKF129R89 GKA129R89 GKAF129R89	4P	60	335	23.99	12	2.20					63	316	22.66	12	2.30					74	269	19.29	12	2.60			82	245	17.53	12	2.80	94	212	15.19	12	3.10	GK69 GKF69 GKA69 GKAF69	4P	0.70	37140	2054	171	1.30			GK129R79 GKF129R79 GKA129R79 GKAF129R79	4P	108	185	13.22	12	3.40					115	174	12.48	12	2.80					135	148	10.63	12	3.20			148	135	9.66	12	3.30	171	117	8.37	12	3.50	GK59 GKF59 GKA59 GKAF59	4P	0.79	32927	1821	171	1.50			GK109R79 GKF109R79 GKA109R79 GKAF109R79	4P	196	102	7.28	12	3.90					32	620	44.43	4.8	0.90					37	537	38.49	7.5	1.05			40	498	35.70	7.8	1.15	47	423	30.28	7.8	1.35	GK59 GKF59 GKA59 GKAF59	4P	1.0	25224	1395	171	1.95			GK109R79 GKF109R79 GKA109R79 GKAF109R79	4P	52	382	27.34	7.8	1.45					59	336	24.05	7.6	1.65					63	317	22.71	7.6	1.75			74	270	19.34	7.4	2.00	81	245	17.57	7.2	2.10	GK59 GKF59 GKA59 GKAF59	4P	1.2	21626	1196	171	2.30			GK109R79 GKF109R79 GKA109R79 GKAF109R79	4P	94	212	15.22	7.1	2.40					108	185	13.25	6.9	2.60					120	166	11.92	6.5	2.30			127	157	11.26	6.5	2.50	55	362	25.91	5.0	1.05	GK49 GKF49 GKA49 GKAF49	4P	1.2	22222	1229	104	0.80			GK109R79 GKF109R79 GKA109R79 GKAF109R79	4P	66	304	21.81	5.0	1.25					73	273	19.58	5.0	1.35					3.0	8607	476	77	1.50			GK109R79 GKF109R79 GKA109R79 GKAF109R79	4P	3.4	7594	420			77	1.70	3.9	6654	368			78	1.95	4.3	5985	331	78	2.15		5.0	5189	287	78		2.45	1.8	14284	790	73	0.90	GK109R79 GKF109R79 GKA109R79 GKAF109R79	4P	2.0	12729	704	75	1.00			2.3	11030	610	76	1.20	2.6	9927	549	77			1.30	3.0	8625	477	77	1.50	3.4			7576	419	77	1.75	GK109R79 GKF109R79 GKA109R79 GKAF109R79	4P	3.1	8336	461	62	0.95			3.5	7377	408	62	1.05	3.9	6582	364	62			1.20	4.5	5750	318	62	1.40	5.0			5171	286	62	1.55	GK109R79 GKF109R79 GKA109R79 GKAF109R79	4P	5.7	4538	251	62	1.75			6.4	4014	222	62	2.00	7.3	3544			196	62	2.25																																																																																																																																													
29	681	48.77	11	1.15	GK69 GKF69 GKA69 GKAF69	4P	0.51	50954	2818	170	0.95			GK159R99 GKF159R99 GKA159R99 GKAF159R99	4P																																																																																																																																																																																																																																																																																																																																																																																																																																																																																																																																																																																											
32	619	44.32	11	1.25			37	536	38.39	11	1.40					40	497	35.61	12	1.55					47	422	30.21	12	1.80					52	381	27.27	12	2.00			GK69 GKF69 GKA69 GKAF69	4P	0.63	41009	2268	171	1.20	GK129R89 GKF129R89 GKA129R89 GKAF129R89	4P	60	335	23.99	12	2.20	63	316	22.66	12	2.30			74	269	19.29	12	2.60					82	245	17.53	12	2.80					94	212	15.19	12	3.10			GK69 GKF69 GKA69 GKAF69	4P	0.70	37140	2054	171	1.30	GK129R79 GKF129R79 GKA129R79 GKAF129R79	4P	108	185	13.22	12	3.40	115	174	12.48	12	2.80			135	148	10.63	12	3.20					148	135	9.66	12	3.30					171	117	8.37	12	3.50			GK59 GKF59 GKA59 GKAF59	4P	0.79	32927	1821	171	1.50	GK109R79 GKF109R79 GKA109R79 GKAF109R79	4P	196	102	7.28	12	3.90	32	620	44.43	4.8	0.90			37	537	38.49	7.5	1.05					40	498	35.70	7.8	1.15					47	423	30.28	7.8	1.35			GK59 GKF59 GKA59 GKAF59	4P	1.0	25224	1395	171	1.95	GK109R79 GKF109R79 GKA109R79 GKAF109R79	4P	52	382	27.34	7.8	1.45	59	336	24.05	7.6	1.65			63	317	22.71	7.6	1.75					74	270	19.34	7.4	2.00					81	245	17.57	7.2	2.10			GK59 GKF59 GKA59 GKAF59	4P	1.2	21626	1196	171	2.30	GK109R79 GKF109R79 GKA109R79 GKAF109R79	4P	94	212	15.22	7.1	2.40	108	185	13.25	6.9	2.60			120	166	11.92	6.5	2.30					127	157	11.26	6.5	2.50					55	362	25.91	5.0	1.05			GK49 GKF49 GKA49 GKAF49	4P	1.2	22222	1229	104	0.80	GK109R79 GKF109R79 GKA109R79 GKAF109R79	4P	66	304	21.81	5.0	1.25	73	273	19.58	5.0	1.35			3.0	8607	476	77	1.50					GK109R79 GKF109R79 GKA109R79 GKAF109R79	4P	3.4	7594	420					77	1.70	3.9	6654	368			78	1.95	4.3	5985	331	78	2.15	5.0	5189			287	78	2.45			1.8	14284	790	73	0.90			GK109R79 GKF109R79 GKA109R79 GKAF109R79	4P	2.0	12729	704	75	1.00	2.3	11030	610	76	1.20	2.6	9927	549	77	1.30	3.0	8625			477	77	1.50	3.4	7576			419	77	1.75	GK109R79 GKF109R79 GKA109R79 GKAF109R79	4P	3.1	8336	461	62			0.95	3.5	7377	408	62	1.05	3.9	6582	364	62	1.20	4.5	5750			318	62	1.40	5.0	5171			286	62	1.55	GK109R79 GKF109R79 GKA109R79 GKAF109R79	4P	5.7	4538	251	62			1.75	6.4	4014	222	62	2.00	7.3	3544	196	62	2.25																																																																																																																																																																				
37	536	38.39	11	1.40			40	497	35.61	12	1.55					47	422	30.21	12	1.80					52	381	27.27	12	2.00			GK69 GKF69 GKA69 GKAF69	4P	0.63	41009	2268	171	1.20	GK129R89 GKF129R89 GKA129R89 GKAF129R89	4P			60	335	23.99	12	2.20			63	316	22.66	12	2.30	74	269	19.29	12	2.60			82	245	17.53	12	2.80					94	212	15.19	12	3.10			GK69 GKF69 GKA69 GKAF69	4P	0.70	37140	2054	171	1.30	GK129R79 GKF129R79 GKA129R79 GKAF129R79	4P			108	185	13.22	12	3.40			115	174	12.48	12	2.80	135	148	10.63	12	3.20			148	135	9.66	12	3.30					171	117	8.37	12	3.50			GK59 GKF59 GKA59 GKAF59	4P	0.79	32927	1821	171	1.50	GK109R79 GKF109R79 GKA109R79 GKAF109R79	4P			196	102	7.28	12	3.90			32	620	44.43	4.8	0.90	37	537	38.49	7.5	1.05			40	498	35.70	7.8	1.15					47	423	30.28	7.8	1.35			GK59 GKF59 GKA59 GKAF59	4P	1.0	25224	1395	171	1.95	GK109R79 GKF109R79 GKA109R79 GKAF109R79	4P			52	382	27.34	7.8	1.45			59	336	24.05	7.6	1.65	63	317	22.71	7.6	1.75			74	270	19.34	7.4	2.00					81	245	17.57	7.2	2.10			GK59 GKF59 GKA59 GKAF59	4P	1.2	21626	1196	171	2.30	GK109R79 GKF109R79 GKA109R79 GKAF109R79	4P			94	212	15.22	7.1	2.40			108	185	13.25	6.9	2.60	120	166	11.92	6.5	2.30			127	157	11.26	6.5	2.50					55	362	25.91	5.0	1.05			GK49 GKF49 GKA49 GKAF49	4P	1.2	22222	1229	104	0.80	GK109R79 GKF109R79 GKA109R79 GKAF109R79	4P			66	304	21.81	5.0	1.25			73	273	19.58	5.0	1.35	3.0	8607	476	77	1.50			GK109R79 GKF109R79 GKA109R79 GKAF109R79	4P	3.4	7594	420							77	1.70	3.9			6654	368	78	1.95	4.3	5985	331	78	2.15	5.0	5189	287	78	2.45	1.8	14284	790	73			0.90	GK109R79 GKF109R79 GKA109R79 GKAF109R79	4P			2.0	12729	704	75	1.00	2.3	11030			610	76	1.20	2.6	9927	549	77	1.30	3.0	8625	477	77	1.50	3.4	7576	419	77			1.75	GK109R79 GKF109R79 GKA109R79 GKAF109R79	4P	3.1	8336			461	62	0.95			3.5	7377	408	62	1.05	3.9	6582	364	62	1.20	4.5	5750	318	62	1.40	5.0	5171	286	62			1.55	GK109R79 GKF109R79 GKA109R79 GKAF109R79	4P	5.7	4538			251	62	1.75			6.4	4014	222	62	2.00	7.3	3544	196	62	2.25																																																																																																																																																																											
40	497	35.61	12	1.55			47	422	30.21	12	1.80					52	381	27.27	12	2.00			GK69 GKF69 GKA69 GKAF69	4P	0.63	41009	2268	171	1.20	GK129R89 GKF129R89 GKA129R89 GKAF129R89	4P			60	335	23.99	12	2.20					63	316	22.66	12	2.30			74	269	19.29	12	2.60	82	245	17.53	12	2.80			94	212	15.19	12	3.10	GK69 GKF69 GKA69 GKAF69	4P			0.70	37140	2054	171	1.30	GK129R79 GKF129R79 GKA129R79 GKAF129R79	4P			108	185	13.22	12	3.40					115	174	12.48	12	2.80			135	148	10.63	12	3.20	148	135	9.66	12	3.30			171	117	8.37	12	3.50	GK59 GKF59 GKA59 GKAF59	4P			0.79	32927	1821	171	1.50	GK109R79 GKF109R79 GKA109R79 GKAF109R79	4P			196	102	7.28	12	3.90					32	620	44.43	4.8	0.90			37	537	38.49	7.5	1.05	40	498	35.70	7.8	1.15			47	423	30.28	7.8	1.35	GK59 GKF59 GKA59 GKAF59	4P			1.0	25224	1395	171	1.95	GK109R79 GKF109R79 GKA109R79 GKAF109R79	4P			52	382	27.34	7.8	1.45					59	336	24.05	7.6	1.65			63	317	22.71	7.6	1.75	74	270	19.34	7.4	2.00			81	245	17.57	7.2	2.10	GK59 GKF59 GKA59 GKAF59	4P			1.2	21626	1196	171	2.30	GK109R79 GKF109R79 GKA109R79 GKAF109R79	4P			94	212	15.22	7.1	2.40					108	185	13.25	6.9	2.60			120	166	11.92	6.5	2.30	127	157	11.26	6.5	2.50			55	362	25.91	5.0	1.05	GK49 GKF49 GKA49 GKAF49	4P			1.2	22222	1229	104	0.80	GK109R79 GKF109R79 GKA109R79 GKAF109R79	4P			66	304	21.81	5.0	1.25					73	273	19.58	5.0	1.35			3.0	8607	476	77	1.50	GK109R79 GKF109R79 GKA109R79 GKAF109R79	4P	3.4	7594	420					77	1.70	3.9	6654	368					78	1.95	4.3	5985	331	78	2.15	5.0	5189	287	78	2.45	1.8	14284	790	73	0.90	GK109R79 GKF109R79 GKA109R79 GKAF109R79	4P	2.0	12729	704	75			1.00			2.3	11030	610	76	1.20	2.6	9927	549	77			1.30	3.0	8625	477	77	1.50	3.4	7576	419	77	1.75	GK109R79 GKF109R79 GKA109R79 GKAF109R79	4P	3.1	8336	461	62			0.95			3.5	7377	408	62	1.05	3.9	6582			364	62	1.20	4.5	5750	318	62	1.40	5.0	5171	286	62	1.55	GK109R79 GKF109R79 GKA109R79 GKAF109R79	4P	5.7	4538	251	62			1.75			6.4	4014	222	62	2.00	7.3	3544			196	62	2.25																																																																																																																																																																																		
47	422	30.21	12	1.80			52	381	27.27	12	2.00	GK69 GKF69 GKA69 GKAF69	4P			0.63	41009	2268	171	1.20	GK129R89 GKF129R89 GKA129R89 GKAF129R89	4P			60	335	23.99	12	2.20					63	316	22.66	12	2.30					74	269	19.29	12	2.60			82	245	17.53	12	2.80	94	212	15.19	12	3.10	GK69 GKF69 GKA69 GKAF69	4P	0.70	37140	2054	171	1.30			GK129R79 GKF129R79 GKA129R79 GKAF129R79	4P	108	185	13.22	12	3.40					115	174	12.48	12	2.80					135	148	10.63	12	3.20			148	135	9.66	12	3.30	171	117	8.37	12	3.50	GK59 GKF59 GKA59 GKAF59	4P	0.79	32927	1821	171	1.50			GK109R79 GKF109R79 GKA109R79 GKAF109R79	4P	196	102	7.28	12	3.90					32	620	44.43	4.8	0.90					37	537	38.49	7.5	1.05			40	498	35.70	7.8	1.15	47	423	30.28	7.8	1.35	GK59 GKF59 GKA59 GKAF59	4P	1.0	25224	1395	171	1.95			GK109R79 GKF109R79 GKA109R79 GKAF109R79	4P	52	382	27.34	7.8	1.45					59	336	24.05	7.6	1.65					63	317	22.71	7.6	1.75			74	270	19.34	7.4	2.00	81	245	17.57	7.2	2.10	GK59 GKF59 GKA59 GKAF59	4P	1.2	21626	1196	171	2.30			GK109R79 GKF109R79 GKA109R79 GKAF109R79	4P	94	212	15.22	7.1	2.40					108	185	13.25	6.9	2.60					120	166	11.92	6.5	2.30			127	157	11.26	6.5	2.50	55	362	25.91	5.0	1.05	GK49 GKF49 GKA49 GKAF49	4P	1.2	22222	1229	104	0.80			GK109R79 GKF109R79 GKA109R79 GKAF109R79	4P	66	304	21.81	5.0	1.25					73	273	19.58	5.0	1.35					3.0	8607	476	77	1.50			GK109R79 GKF109R79 GKA109R79 GKAF109R79	4P	3.4	7594	420			77	1.70	3.9	6654	368			78	1.95	4.3	5985	331	78	2.15			5.0	5189	287	78	2.45	1.8	14284	790	73	0.90	GK109R79 GKF109R79 GKA109R79 GKAF109R79	4P	2.0	12729	704	75	1.00			2.3	11030	610	76	1.20	2.6	9927			549	77	1.30	3.0	8625	477	77	1.50	3.4			7576	419	77	1.75	GK109R79 GKF109R79 GKA109R79 GKAF109R79	4P	3.1	8336	461	62	0.95			3.5	7377	408	62	1.05	3.9	6582			364	62	1.20	4.5	5750	318	62			1.40	5.0	5171	286	62	1.55	GK109R79 GKF109R79 GKA109R79 GKAF109R79	4P	5.7	4538	251	62	1.75			6.4	4014	222	62	2.00	7.3	3544			196	62	2.25																																																																																																																																																																																											
52	381	27.27	12	2.00	GK69 GKF69 GKA69 GKAF69	4P	0.63	41009	2268	171	1.20			GK129R89 GKF129R89 GKA129R89 GKAF129R89	4P																																																																																																																																																																																																																																																																																																																																																																																																																																																																																																																																																																																											
60	335	23.99	12	2.20			63	316	22.66	12	2.30					74	269	19.29	12	2.60					82	245	17.53	12	2.80					94	212	15.19	12	3.10			GK69 GKF69 GKA69 GKAF69	4P	0.70	37140	2054	171	1.30	GK129R79 GKF129R79 GKA129R79 GKAF129R79	4P	108	185	13.22	12	3.40	115	174	12.48	12	2.80			135	148	10.63	12	3.20					148	135	9.66	12	3.30					171	117	8.37	12	3.50			GK59 GKF59 GKA59 GKAF59	4P	0.79	32927	1821	171	1.50	GK109R79 GKF109R79 GKA109R79 GKAF109R79	4P	196	102	7.28	12	3.90	32	620	44.43	4.8	0.90			37	537	38.49	7.5	1.05					40	498	35.70	7.8	1.15					47	423	30.28	7.8	1.35			GK59 GKF59 GKA59 GKAF59	4P	1.0	25224	1395	171	1.95	GK109R79 GKF109R79 GKA109R79 GKAF109R79	4P	52	382	27.34	7.8	1.45	59	336	24.05	7.6	1.65			63	317	22.71	7.6	1.75					74	270	19.34	7.4	2.00					81	245	17.57	7.2	2.10			GK59 GKF59 GKA59 GKAF59	4P	1.2	21626	1196	171	2.30	GK109R79 GKF109R79 GKA109R79 GKAF109R79	4P	94	212	15.22	7.1	2.40	108	185	13.25	6.9	2.60			120	166	11.92	6.5	2.30					127	157	11.26	6.5	2.50					55	362	25.91	5.0	1.05			GK49 GKF49 GKA49 GKAF49	4P	1.2	22222	1229	104	0.80	GK109R79 GKF109R79 GKA109R79 GKAF109R79	4P	66	304	21.81	5.0	1.25	73	273	19.58	5.0	1.35			3.0	8607	476	77	1.50					GK109R79 GKF109R79 GKA109R79 GKAF109R79	4P	3.4	7594	420					77	1.70	3.9	6654	368			78	1.95	4.3	5985	331	78	2.15	5.0	5189			287	78	2.45			1.8	14284	790	73	0.90			GK109R79 GKF109R79 GKA109R79 GKAF109R79	4P	2.0	12729	704	75	1.00	2.3	11030	610	76	1.20	2.6	9927	549	77	1.30	3.0	8625			477	77	1.50	3.4	7576			419	77	1.75	GK109R79 GKF109R79 GKA109R79 GKAF109R79	4P	3.1	8336			461	62	0.95	3.5	7377	408	62	1.05	3.9	6582	364	62	1.20	4.5	5750			318	62	1.40	5.0	5171			286	62	1.55	GK109R79 GKF109R79 GKA109R79 GKAF109R79	4P	5.7	4538			251	62	1.75	6.4	4014	222	62	2.00	7.3	3544	196	62	2.25																																																																																																																																																																																																																		
63	316	22.66	12	2.30			74	269	19.29	12	2.60					82	245	17.53	12	2.80					94	212	15.19	12	3.10			GK69 GKF69 GKA69 GKAF69	4P	0.70	37140	2054	171	1.30	GK129R79 GKF129R79 GKA129R79 GKAF129R79	4P			108	185	13.22	12	3.40			115	174	12.48	12	2.80	135	148	10.63	12	3.20			148	135	9.66	12	3.30					171	117	8.37	12	3.50			GK59 GKF59 GKA59 GKAF59	4P	0.79	32927	1821	171	1.50	GK109R79 GKF109R79 GKA109R79 GKAF109R79	4P			196	102	7.28	12	3.90			32	620	44.43	4.8	0.90	37	537	38.49	7.5	1.05			40	498	35.70	7.8	1.15					47	423	30.28	7.8	1.35			GK59 GKF59 GKA59 GKAF59	4P	1.0	25224	1395	171	1.95	GK109R79 GKF109R79 GKA109R79 GKAF109R79	4P			52	382	27.34	7.8	1.45			59	336	24.05	7.6	1.65	63	317	22.71	7.6	1.75			74	270	19.34	7.4	2.00					81	245	17.57	7.2	2.10			GK59 GKF59 GKA59 GKAF59	4P	1.2	21626	1196	171	2.30	GK109R79 GKF109R79 GKA109R79 GKAF109R79	4P			94	212	15.22	7.1	2.40			108	185	13.25	6.9	2.60	120	166	11.92	6.5	2.30			127	157	11.26	6.5	2.50					55	362	25.91	5.0	1.05			GK49 GKF49 GKA49 GKAF49	4P	1.2	22222	1229	104	0.80	GK109R79 GKF109R79 GKA109R79 GKAF109R79	4P			66	304	21.81	5.0	1.25			73	273	19.58	5.0	1.35	3.0	8607	476	77	1.50			GK109R79 GKF109R79 GKA109R79 GKAF109R79	4P	3.4	7594	420							77	1.70	3.9			6654	368	78	1.95	4.3	5985	331	78	2.15	5.0	5189	287	78	2.45	1.8	14284	790	73			0.90	GK109R79 GKF109R79 GKA109R79 GKAF109R79	4P			2.0	12729	704	75	1.00	2.3	11030			610	76	1.20	2.6	9927	549	77	1.30	3.0	8625	477	77	1.50	3.4	7576	419	77			1.75	GK109R79 GKF109R79 GKA109R79 GKAF109R79	4P	3.1	8336			461	62	0.95			3.5	7377	408	62	1.05	3.9	6582	364	62	1.20	4.5	5750	318	62	1.40	5.0	5171	286	62			1.55	GK109R79 GKF109R79 GKA109R79 GKAF109R79	4P	5.7	4538			251	62	1.75			6.4	4014	222	62	2.00	7.3	3544	196	62	2.25																																																																																																																																																																																																																									
74	269	19.29	12	2.60			82	245	17.53	12	2.80					94	212	15.19	12	3.10			GK69 GKF69 GKA69 GKAF69	4P	0.70	37140	2054	171	1.30	GK129R79 GKF129R79 GKA129R79 GKAF129R79	4P			108	185	13.22	12	3.40					115	174	12.48	12	2.80			135	148	10.63	12	3.20	148	135	9.66	12	3.30			171	117	8.37	12	3.50	GK59 GKF59 GKA59 GKAF59	4P			0.79	32927	1821	171	1.50	GK109R79 GKF109R79 GKA109R79 GKAF109R79	4P			196	102	7.28	12	3.90					32	620	44.43	4.8	0.90			37	537	38.49	7.5	1.05	40	498	35.70	7.8	1.15			47	423	30.28	7.8	1.35	GK59 GKF59 GKA59 GKAF59	4P			1.0	25224	1395	171	1.95	GK109R79 GKF109R79 GKA109R79 GKAF109R79	4P			52	382	27.34	7.8	1.45					59	336	24.05	7.6	1.65			63	317	22.71	7.6	1.75	74	270	19.34	7.4	2.00			81	245	17.57	7.2	2.10	GK59 GKF59 GKA59 GKAF59	4P			1.2	21626	1196	171	2.30	GK109R79 GKF109R79 GKA109R79 GKAF109R79	4P			94	212	15.22	7.1	2.40					108	185	13.25	6.9	2.60			120	166	11.92	6.5	2.30	127	157	11.26	6.5	2.50			55	362	25.91	5.0	1.05	GK49 GKF49 GKA49 GKAF49	4P			1.2	22222	1229	104	0.80	GK109R79 GKF109R79 GKA109R79 GKAF109R79	4P			66	304	21.81	5.0	1.25					73	273	19.58	5.0	1.35			3.0	8607	476	77	1.50	GK109R79 GKF109R79 GKA109R79 GKAF109R79	4P	3.4	7594	420					77	1.70	3.9	6654	368					78	1.95	4.3	5985	331	78	2.15	5.0	5189	287	78	2.45	1.8	14284	790	73	0.90	GK109R79 GKF109R79 GKA109R79 GKAF109R79	4P	2.0	12729	704	75			1.00			2.3	11030	610	76	1.20	2.6	9927	549	77			1.30	3.0	8625	477	77	1.50	3.4	7576	419	77	1.75	GK109R79 GKF109R79 GKA109R79 GKAF109R79	4P	3.1	8336	461	62			0.95			3.5	7377	408	62	1.05	3.9	6582			364	62	1.20	4.5	5750	318	62	1.40	5.0	5171	286	62	1.55	GK109R79 GKF109R79 GKA109R79 GKAF109R79	4P	5.7	4538	251	62			1.75			6.4	4014	222	62	2.00	7.3	3544			196	62	2.25																																																																																																																																																																																																																																
82	245	17.53	12	2.80			94	212	15.19	12	3.10	GK69 GKF69 GKA69 GKAF69	4P			0.70	37140	2054	171	1.30	GK129R79 GKF129R79 GKA129R79 GKAF129R79	4P			108	185	13.22	12	3.40					115	174	12.48	12	2.80					135	148	10.63	12	3.20			148	135	9.66	12	3.30	171	117	8.37	12	3.50	GK59 GKF59 GKA59 GKAF59	4P	0.79	32927	1821	171	1.50			GK109R79 GKF109R79 GKA109R79 GKAF109R79	4P	196	102	7.28	12	3.90					32	620	44.43	4.8	0.90					37	537	38.49	7.5	1.05			40	498	35.70	7.8	1.15	47	423	30.28	7.8	1.35	GK59 GKF59 GKA59 GKAF59	4P	1.0	25224	1395	171	1.95			GK109R79 GKF109R79 GKA109R79 GKAF109R79	4P	52	382	27.34	7.8	1.45					59	336	24.05	7.6	1.65					63	317	22.71	7.6	1.75			74	270	19.34	7.4	2.00	81	245	17.57	7.2	2.10	GK59 GKF59 GKA59 GKAF59	4P	1.2	21626	1196	171	2.30			GK109R79 GKF109R79 GKA109R79 GKAF109R79	4P	94	212	15.22	7.1	2.40					108	185	13.25	6.9	2.60					120	166	11.92	6.5	2.30			127	157	11.26	6.5	2.50	55	362	25.91	5.0	1.05	GK49 GKF49 GKA49 GKAF49	4P	1.2	22222	1229	104	0.80			GK109R79 GKF109R79 GKA109R79 GKAF109R79	4P	66	304	21.81	5.0	1.25					73	273	19.58	5.0	1.35					3.0	8607	476	77	1.50			GK109R79 GKF109R79 GKA109R79 GKAF109R79	4P	3.4	7594	420			77	1.70	3.9	6654	368			78	1.95	4.3	5985	331	78	2.15			5.0	5189	287	78	2.45	1.8	14284	790	73	0.90	GK109R79 GKF109R79 GKA109R79 GKAF109R79	4P	2.0	12729	704	75	1.00			2.3	11030	610	76	1.20	2.6	9927			549	77	1.30	3.0	8625	477	77	1.50	3.4			7576	419	77	1.75	GK109R79 GKF109R79 GKA109R79 GKAF109R79	4P	3.1	8336	461	62	0.95			3.5	7377	408	62	1.05	3.9	6582			364	62	1.20	4.5	5750	318	62			1.40	5.0	5171	286	62	1.55	GK109R79 GKF109R79 GKA109R79 GKAF109R79	4P	5.7	4538	251	62	1.75			6.4	4014	222	62	2.00	7.3	3544			196	62	2.25																																																																																																																																																																																																																																									
94	212	15.19	12	3.10	GK69 GKF69 GKA69 GKAF69	4P	0.70	37140	2054	171	1.30			GK129R79 GKF129R79 GKA129R79 GKAF129R79	4P																																																																																																																																																																																																																																																																																																																																																																																																																																																																																																																																																																																											
108	185	13.22	12	3.40			115	174	12.48	12	2.80					135	148	10.63	12	3.20					148	135	9.66	12	3.30					171	117	8.37	12	3.50			GK59 GKF59 GKA59 GKAF59	4P	0.79	32927	1821	171	1.50	GK109R79 GKF109R79 GKA109R79 GKAF109R79	4P	196	102	7.28	12	3.90	32	620	44.43	4.8	0.90			37	537	38.49	7.5	1.05					40	498	35.70	7.8	1.15					47	423	30.28	7.8	1.35			GK59 GKF59 GKA59 GKAF59	4P	1.0	25224	1395	171	1.95	GK109R79 GKF109R79 GKA109R79 GKAF109R79	4P	52	382	27.34	7.8	1.45	59	336	24.05	7.6	1.65			63	317	22.71	7.6	1.75					74	270	19.34	7.4	2.00					81	245	17.57	7.2	2.10			GK59 GKF59 GKA59 GKAF59	4P	1.2	21626	1196	171	2.30	GK109R79 GKF109R79 GKA109R79 GKAF109R79	4P	94	212	15.22	7.1	2.40	108	185	13.25	6.9	2.60			120	166	11.92	6.5	2.30					127	157	11.26	6.5	2.50					55	362	25.91	5.0	1.05			GK49 GKF49 GKA49 GKAF49	4P	1.2	22222	1229	104	0.80	GK109R79 GKF109R79 GKA109R79 GKAF109R79	4P	66	304	21.81	5.0	1.25	73	273	19.58	5.0	1.35			3.0	8607	476	77	1.50					GK109R79 GKF109R79 GKA109R79 GKAF109R79	4P	3.4	7594	420					77	1.70	3.9	6654	368			78	1.95	4.3	5985	331	78	2.15	5.0	5189			287	78	2.45			1.8	14284	790	73	0.90			GK109R79 GKF109R79 GKA109R79 GKAF109R79	4P	2.0	12729	704	75	1.00	2.3	11030	610	76	1.20	2.6	9927	549	77	1.30	3.0	8625			477	77	1.50	3.4	7576			419	77	1.75	GK109R79 GKF109R79 GKA109R79 GKAF109R79	4P	3.1	8336			461	62	0.95	3.5	7377	408	62	1.05	3.9	6582	364	62	1.20	4.5	5750			318	62	1.40	5.0	5171			286	62	1.55	GK109R79 GKF109R79 GKA109R79 GKAF109R79	4P	5.7	4538			251	62	1.75	6.4	4014	222	62	2.00	7.3	3544	196	62	2.25																																																																																																																																																																																																																																																																
115	174	12.48	12	2.80			135	148	10.63	12	3.20					148	135	9.66	12	3.30					171	117	8.37	12	3.50			GK59 GKF59 GKA59 GKAF59	4P	0.79	32927	1821	171	1.50	GK109R79 GKF109R79 GKA109R79 GKAF109R79	4P			196	102	7.28	12	3.90			32	620	44.43	4.8	0.90	37	537	38.49	7.5	1.05			40	498	35.70	7.8	1.15					47	423	30.28	7.8	1.35			GK59 GKF59 GKA59 GKAF59	4P	1.0	25224	1395	171	1.95	GK109R79 GKF109R79 GKA109R79 GKAF109R79	4P			52	382	27.34	7.8	1.45			59	336	24.05	7.6	1.65	63	317	22.71	7.6	1.75			74	270	19.34	7.4	2.00					81	245	17.57	7.2	2.10			GK59 GKF59 GKA59 GKAF59	4P	1.2	21626	1196	171	2.30	GK109R79 GKF109R79 GKA109R79 GKAF109R79	4P			94	212	15.22	7.1	2.40			108	185	13.25	6.9	2.60	120	166	11.92	6.5	2.30			127	157	11.26	6.5	2.50					55	362	25.91	5.0	1.05			GK49 GKF49 GKA49 GKAF49	4P	1.2	22222	1229	104	0.80	GK109R79 GKF109R79 GKA109R79 GKAF109R79	4P			66	304	21.81	5.0	1.25			73	273	19.58	5.0	1.35	3.0	8607	476	77	1.50			GK109R79 GKF109R79 GKA109R79 GKAF109R79	4P	3.4	7594	420							77	1.70	3.9			6654	368	78	1.95	4.3	5985	331	78	2.15	5.0	5189	287	78	2.45	1.8	14284	790	73			0.90	GK109R79 GKF109R79 GKA109R79 GKAF109R79	4P			2.0	12729	704	75	1.00	2.3	11030			610	76	1.20	2.6	9927	549	77	1.30	3.0	8625	477	77	1.50	3.4	7576	419	77			1.75	GK109R79 GKF109R79 GKA109R79 GKAF109R79	4P	3.1	8336			461	62	0.95			3.5	7377	408	62	1.05	3.9	6582	364	62	1.20	4.5	5750	318	62	1.40	5.0	5171	286	62			1.55	GK109R79 GKF109R79 GKA109R79 GKAF109R79	4P	5.7	4538			251	62	1.75			6.4	4014	222	62	2.00	7.3	3544	196	62	2.25																																																																																																																																																																																																																																																																							
135	148	10.63	12	3.20			148	135	9.66	12	3.30					171	117	8.37	12	3.50			GK59 GKF59 GKA59 GKAF59	4P	0.79	32927	1821	171	1.50	GK109R79 GKF109R79 GKA109R79 GKAF109R79	4P			196	102	7.28	12	3.90					32	620	44.43	4.8	0.90			37	537	38.49	7.5	1.05	40	498	35.70	7.8	1.15			47	423	30.28	7.8	1.35	GK59 GKF59 GKA59 GKAF59	4P			1.0	25224	1395	171	1.95	GK109R79 GKF109R79 GKA109R79 GKAF109R79	4P			52	382	27.34	7.8	1.45					59	336	24.05	7.6	1.65			63	317	22.71	7.6	1.75	74	270	19.34	7.4	2.00			81	245	17.57	7.2	2.10	GK59 GKF59 GKA59 GKAF59	4P			1.2	21626	1196	171	2.30	GK109R79 GKF109R79 GKA109R79 GKAF109R79	4P			94	212	15.22	7.1	2.40					108	185	13.25	6.9	2.60			120	166	11.92	6.5	2.30	127	157	11.26	6.5	2.50			55	362	25.91	5.0	1.05	GK49 GKF49 GKA49 GKAF49	4P			1.2	22222	1229	104	0.80	GK109R79 GKF109R79 GKA109R79 GKAF109R79	4P			66	304	21.81	5.0	1.25					73	273	19.58	5.0	1.35			3.0	8607	476	77	1.50	GK109R79 GKF109R79 GKA109R79 GKAF109R79	4P	3.4	7594	420					77	1.70	3.9	6654	368					78	1.95	4.3	5985	331	78	2.15	5.0	5189	287	78	2.45	1.8	14284	790	73	0.90	GK109R79 GKF109R79 GKA109R79 GKAF109R79	4P	2.0	12729	704	75			1.00			2.3	11030	610	76	1.20	2.6	9927	549	77			1.30	3.0	8625	477	77	1.50	3.4	7576	419	77	1.75	GK109R79 GKF109R79 GKA109R79 GKAF109R79	4P	3.1	8336	461	62			0.95			3.5	7377	408	62	1.05	3.9	6582			364	62	1.20	4.5	5750	318	62	1.40	5.0	5171	286	62	1.55	GK109R79 GKF109R79 GKA109R79 GKAF109R79	4P	5.7	4538	251	62			1.75			6.4	4014	222	62	2.00	7.3	3544			196	62	2.25																																																																																																																																																																																																																																																																														
148	135	9.66	12	3.30			171	117	8.37	12	3.50	GK59 GKF59 GKA59 GKAF59	4P			0.79	32927	1821	171	1.50	GK109R79 GKF109R79 GKA109R79 GKAF109R79	4P			196	102	7.28	12	3.90					32	620	44.43	4.8	0.90					37	537	38.49	7.5	1.05			40	498	35.70	7.8	1.15	47	423	30.28	7.8	1.35	GK59 GKF59 GKA59 GKAF59	4P	1.0	25224	1395	171	1.95			GK109R79 GKF109R79 GKA109R79 GKAF109R79	4P	52	382	27.34	7.8	1.45					59	336	24.05	7.6	1.65					63	317	22.71	7.6	1.75			74	270	19.34	7.4	2.00	81	245	17.57	7.2	2.10	GK59 GKF59 GKA59 GKAF59	4P	1.2	21626	1196	171	2.30			GK109R79 GKF109R79 GKA109R79 GKAF109R79	4P	94	212	15.22	7.1	2.40					108	185	13.25	6.9	2.60					120	166	11.92	6.5	2.30			127	157	11.26	6.5	2.50	55	362	25.91	5.0	1.05	GK49 GKF49 GKA49 GKAF49	4P	1.2	22222	1229	104	0.80			GK109R79 GKF109R79 GKA109R79 GKAF109R79	4P	66	304	21.81	5.0	1.25					73	273	19.58	5.0	1.35					3.0	8607	476	77	1.50			GK109R79 GKF109R79 GKA109R79 GKAF109R79	4P	3.4	7594	420			77	1.70	3.9	6654	368			78	1.95	4.3	5985	331	78	2.15			5.0	5189	287	78	2.45	1.8	14284	790	73	0.90	GK109R79 GKF109R79 GKA109R79 GKAF109R79	4P	2.0	12729	704	75	1.00			2.3	11030	610	76	1.20	2.6	9927			549	77	1.30	3.0	8625	477	77	1.50	3.4			7576	419	77	1.75	GK109R79 GKF109R79 GKA109R79 GKAF109R79	4P	3.1	8336	461	62	0.95			3.5	7377	408	62	1.05	3.9	6582			364	62	1.20	4.5	5750	318	62			1.40	5.0	5171	286	62	1.55	GK109R79 GKF109R79 GKA109R79 GKAF109R79	4P	5.7	4538	251	62	1.75			6.4	4014	222	62	2.00	7.3	3544			196	62	2.25																																																																																																																																																																																																																																																																																							
171	117	8.37	12	3.50	GK59 GKF59 GKA59 GKAF59	4P	0.79	32927	1821	171	1.50			GK109R79 GKF109R79 GKA109R79 GKAF109R79	4P																																																																																																																																																																																																																																																																																																																																																																																																																																																																																																																																																																																											
196	102	7.28	12	3.90			32	620	44.43	4.8	0.90					37	537	38.49	7.5	1.05					40	498	35.70	7.8	1.15					47	423	30.28	7.8	1.35			GK59 GKF59 GKA59 GKAF59	4P	1.0	25224	1395	171	1.95	GK109R79 GKF109R79 GKA109R79 GKAF109R79	4P	52	382	27.34	7.8	1.45	59	336	24.05	7.6	1.65			63	317	22.71	7.6	1.75					74	270	19.34	7.4	2.00					81	245	17.57	7.2	2.10			GK59 GKF59 GKA59 GKAF59	4P	1.2	21626	1196	171	2.30	GK109R79 GKF109R79 GKA109R79 GKAF109R79	4P	94	212	15.22	7.1	2.40	108	185	13.25	6.9	2.60			120	166	11.92	6.5	2.30					127	157	11.26	6.5	2.50					55	362	25.91	5.0	1.05			GK49 GKF49 GKA49 GKAF49	4P	1.2	22222	1229	104	0.80	GK109R79 GKF109R79 GKA109R79 GKAF109R79	4P	66	304	21.81	5.0	1.25	73	273	19.58	5.0	1.35			3.0	8607	476	77	1.50					GK109R79 GKF109R79 GKA109R79 GKAF109R79	4P	3.4	7594	420					77	1.70	3.9	6654	368			78	1.95	4.3	5985	331	78	2.15	5.0	5189			287	78	2.45			1.8	14284	790	73	0.90			GK109R79 GKF109R79 GKA109R79 GKAF109R79	4P	2.0	12729	704	75	1.00	2.3	11030	610	76	1.20	2.6	9927	549	77	1.30	3.0	8625			477	77	1.50	3.4	7576			419	77	1.75	GK109R79 GKF109R79 GKA109R79 GKAF109R79	4P	3.1	8336			461	62	0.95	3.5	7377	408	62	1.05	3.9	6582	364	62	1.20	4.5	5750			318	62	1.40	5.0	5171			286	62	1.55	GK109R79 GKF109R79 GKA109R79 GKAF109R79	4P	5.7	4538			251	62	1.75	6.4	4014	222	62	2.00	7.3	3544	196	62	2.25																																																																																																																																																																																																																																																																																																														
32	620	44.43	4.8	0.90			37	537	38.49	7.5	1.05					40	498	35.70	7.8	1.15					47	423	30.28	7.8	1.35			GK59 GKF59 GKA59 GKAF59	4P	1.0	25224	1395	171	1.95	GK109R79 GKF109R79 GKA109R79 GKAF109R79	4P			52	382	27.34	7.8	1.45			59	336	24.05	7.6	1.65	63	317	22.71	7.6	1.75			74	270	19.34	7.4	2.00					81	245	17.57	7.2	2.10			GK59 GKF59 GKA59 GKAF59	4P	1.2	21626	1196	171	2.30	GK109R79 GKF109R79 GKA109R79 GKAF109R79	4P			94	212	15.22	7.1	2.40			108	185	13.25	6.9	2.60	120	166	11.92	6.5	2.30			127	157	11.26	6.5	2.50					55	362	25.91	5.0	1.05			GK49 GKF49 GKA49 GKAF49	4P	1.2	22222	1229	104	0.80	GK109R79 GKF109R79 GKA109R79 GKAF109R79	4P			66	304	21.81	5.0	1.25			73	273	19.58	5.0	1.35	3.0	8607	476	77	1.50			GK109R79 GKF109R79 GKA109R79 GKAF109R79	4P	3.4	7594	420							77	1.70	3.9			6654	368	78	1.95	4.3	5985	331	78	2.15	5.0	5189	287	78	2.45	1.8	14284	790	73			0.90	GK109R79 GKF109R79 GKA109R79 GKAF109R79	4P			2.0	12729	704	75	1.00	2.3	11030			610	76	1.20	2.6	9927	549	77	1.30	3.0	8625	477	77	1.50	3.4	7576	419	77			1.75	GK109R79 GKF109R79 GKA109R79 GKAF109R79	4P	3.1	8336			461	62	0.95			3.5	7377	408	62	1.05	3.9	6582	364	62	1.20	4.5	5750	318	62	1.40	5.0	5171	286	62			1.55	GK109R79 GKF109R79 GKA109R79 GKAF109R79	4P	5.7	4538			251	62	1.75			6.4	4014	222	62	2.00	7.3	3544	196	62	2.25																																																																																																																																																																																																																																																																																																																					
37	537	38.49	7.5	1.05			40	498	35.70	7.8	1.15					47	423	30.28	7.8	1.35			GK59 GKF59 GKA59 GKAF59	4P	1.0	25224	1395	171	1.95	GK109R79 GKF109R79 GKA109R79 GKAF109R79	4P			52	382	27.34	7.8	1.45					59	336	24.05	7.6	1.65			63	317	22.71	7.6	1.75	74	270	19.34	7.4	2.00			81	245	17.57	7.2	2.10	GK59 GKF59 GKA59 GKAF59	4P			1.2	21626	1196	171	2.30	GK109R79 GKF109R79 GKA109R79 GKAF109R79	4P			94	212	15.22	7.1	2.40					108	185	13.25	6.9	2.60			120	166	11.92	6.5	2.30	127	157	11.26	6.5	2.50			55	362	25.91	5.0	1.05	GK49 GKF49 GKA49 GKAF49	4P			1.2	22222	1229	104	0.80	GK109R79 GKF109R79 GKA109R79 GKAF109R79	4P			66	304	21.81	5.0	1.25					73	273	19.58	5.0	1.35			3.0	8607	476	77	1.50	GK109R79 GKF109R79 GKA109R79 GKAF109R79	4P	3.4	7594	420					77	1.70	3.9	6654	368					78	1.95	4.3	5985	331	78	2.15	5.0	5189	287	78	2.45	1.8	14284	790	73	0.90	GK109R79 GKF109R79 GKA109R79 GKAF109R79	4P	2.0	12729	704	75			1.00			2.3	11030	610	76	1.20	2.6	9927	549	77			1.30	3.0	8625	477	77	1.50	3.4	7576	419	77	1.75	GK109R79 GKF109R79 GKA109R79 GKAF109R79	4P	3.1	8336	461	62			0.95			3.5	7377	408	62	1.05	3.9	6582			364	62	1.20	4.5	5750	318	62	1.40	5.0	5171	286	62	1.55	GK109R79 GKF109R79 GKA109R79 GKAF109R79	4P	5.7	4538	251	62			1.75			6.4	4014	222	62	2.00	7.3	3544			196	62	2.25																																																																																																																																																																																																																																																																																																																												
40	498	35.70	7.8	1.15			47	423	30.28	7.8	1.35	GK59 GKF59 GKA59 GKAF59	4P			1.0	25224	1395	171	1.95	GK109R79 GKF109R79 GKA109R79 GKAF109R79	4P			52	382	27.34	7.8	1.45					59	336	24.05	7.6	1.65					63	317	22.71	7.6	1.75			74	270	19.34	7.4	2.00	81	245	17.57	7.2	2.10	GK59 GKF59 GKA59 GKAF59	4P	1.2	21626	1196	171	2.30			GK109R79 GKF109R79 GKA109R79 GKAF109R79	4P	94	212	15.22	7.1	2.40					108	185	13.25	6.9	2.60					120	166	11.92	6.5	2.30			127	157	11.26	6.5	2.50	55	362	25.91	5.0	1.05	GK49 GKF49 GKA49 GKAF49	4P	1.2	22222	1229	104	0.80			GK109R79 GKF109R79 GKA109R79 GKAF109R79	4P	66	304	21.81	5.0	1.25					73	273	19.58	5.0	1.35					3.0	8607	476	77	1.50			GK109R79 GKF109R79 GKA109R79 GKAF109R79	4P	3.4	7594	420			77	1.70	3.9	6654	368			78	1.95	4.3	5985	331	78	2.15			5.0	5189	287	78	2.45	1.8	14284	790	73	0.90	GK109R79 GKF109R79 GKA109R79 GKAF109R79	4P	2.0	12729	704	75	1.00			2.3	11030	610	76	1.20	2.6	9927			549	77	1.30	3.0	8625	477	77	1.50	3.4			7576	419	77	1.75	GK109R79 GKF109R79 GKA109R79 GKAF109R79	4P	3.1	8336	461	62	0.95			3.5	7377	408	62	1.05	3.9	6582			364	62	1.20	4.5	5750	318	62			1.40	5.0	5171	286	62	1.55	GK109R79 GKF109R79 GKA109R79 GKAF109R79	4P	5.7	4538	251	62	1.75			6.4	4014	222	62	2.00	7.3	3544			196	62	2.25																																																																																																																																																																																																																																																																																																																																					
47	423	30.28	7.8	1.35	GK59 GKF59 GKA59 GKAF59	4P	1.0	25224	1395	171	1.95			GK109R79 GKF109R79 GKA109R79 GKAF109R79	4P																																																																																																																																																																																																																																																																																																																																																																																																																																																																																																																																																																																											
52	382	27.34	7.8	1.45			59	336	24.05	7.6	1.65					63	317	22.71	7.6	1.75					74	270	19.34	7.4	2.00					81	245	17.57	7.2	2.10			GK59 GKF59 GKA59 GKAF59	4P	1.2	21626	1196	171	2.30	GK109R79 GKF109R79 GKA109R79 GKAF109R79	4P	94	212	15.22	7.1	2.40	108	185	13.25	6.9	2.60			120	166	11.92	6.5	2.30					127	157	11.26	6.5	2.50					55	362	25.91	5.0	1.05			GK49 GKF49 GKA49 GKAF49	4P	1.2	22222	1229	104	0.80	GK109R79 GKF109R79 GKA109R79 GKAF109R79	4P	66	304	21.81	5.0	1.25	73	273	19.58	5.0	1.35			3.0	8607	476	77	1.50					GK109R79 GKF109R79 GKA109R79 GKAF109R79	4P	3.4	7594	420					77	1.70	3.9	6654	368			78	1.95	4.3	5985	331	78	2.15	5.0	5189			287	78	2.45			1.8	14284	790	73	0.90			GK109R79 GKF109R79 GKA109R79 GKAF109R79	4P	2.0	12729	704	75	1.00	2.3	11030	610	76	1.20	2.6	9927	549	77	1.30	3.0	8625			477	77	1.50	3.4	7576			419	77	1.75	GK109R79 GKF109R79 GKA109R79 GKAF109R79	4P	3.1	8336			461	62	0.95	3.5	7377	408	62	1.05	3.9	6582	364	62	1.20	4.5	5750			318	62	1.40	5.0	5171			286	62	1.55	GK109R79 GKF109R79 GKA109R79 GKAF109R79	4P	5.7	4538			251	62	1.75	6.4	4014	222	62	2.00	7.3	3544	196	62	2.25																																																																																																																																																																																																																																																																																																																																																												
59	336	24.05	7.6	1.65			63	317	22.71	7.6	1.75					74	270	19.34	7.4	2.00					81	245	17.57	7.2	2.10			GK59 GKF59 GKA59 GKAF59	4P	1.2	21626	1196	171	2.30	GK109R79 GKF109R79 GKA109R79 GKAF109R79	4P			94	212	15.22	7.1	2.40			108	185	13.25	6.9	2.60	120	166	11.92	6.5	2.30			127	157	11.26	6.5	2.50					55	362	25.91	5.0	1.05			GK49 GKF49 GKA49 GKAF49	4P	1.2	22222	1229	104	0.80	GK109R79 GKF109R79 GKA109R79 GKAF109R79	4P			66	304	21.81	5.0	1.25			73	273	19.58	5.0	1.35	3.0	8607	476	77	1.50			GK109R79 GKF109R79 GKA109R79 GKAF109R79	4P	3.4	7594	420							77	1.70	3.9			6654	368	78	1.95	4.3	5985	331	78	2.15	5.0	5189	287	78	2.45	1.8	14284	790	73			0.90	GK109R79 GKF109R79 GKA109R79 GKAF109R79	4P			2.0	12729	704	75	1.00	2.3	11030			610	76	1.20	2.6	9927	549	77	1.30	3.0	8625	477	77	1.50	3.4	7576	419	77			1.75	GK109R79 GKF109R79 GKA109R79 GKAF109R79	4P	3.1	8336			461	62	0.95			3.5	7377	408	62	1.05	3.9	6582	364	62	1.20	4.5	5750	318	62	1.40	5.0	5171	286	62			1.55	GK109R79 GKF109R79 GKA109R79 GKAF109R79	4P	5.7	4538			251	62	1.75			6.4	4014	222	62	2.00	7.3	3544	196	62	2.25																																																																																																																																																																																																																																																																																																																																																																			
63	317	22.71	7.6	1.75			74	270	19.34	7.4	2.00					81	245	17.57	7.2	2.10			GK59 GKF59 GKA59 GKAF59	4P	1.2	21626	1196	171	2.30	GK109R79 GKF109R79 GKA109R79 GKAF109R79	4P			94	212	15.22	7.1	2.40					108	185	13.25	6.9	2.60			120	166	11.92	6.5	2.30	127	157	11.26	6.5	2.50			55	362	25.91	5.0	1.05	GK49 GKF49 GKA49 GKAF49	4P			1.2	22222	1229	104	0.80	GK109R79 GKF109R79 GKA109R79 GKAF109R79	4P			66	304	21.81	5.0	1.25					73	273	19.58	5.0	1.35			3.0	8607	476	77	1.50	GK109R79 GKF109R79 GKA109R79 GKAF109R79	4P	3.4	7594	420					77	1.70	3.9	6654	368					78	1.95	4.3	5985	331	78	2.15	5.0	5189	287	78	2.45	1.8	14284	790	73	0.90	GK109R79 GKF109R79 GKA109R79 GKAF109R79	4P	2.0	12729	704	75			1.00			2.3	11030	610	76	1.20	2.6	9927	549	77			1.30	3.0	8625	477	77	1.50	3.4	7576	419	77	1.75	GK109R79 GKF109R79 GKA109R79 GKAF109R79	4P	3.1	8336	461	62			0.95			3.5	7377	408	62	1.05	3.9	6582			364	62	1.20	4.5	5750	318	62	1.40	5.0	5171	286	62	1.55	GK109R79 GKF109R79 GKA109R79 GKAF109R79	4P	5.7	4538	251	62			1.75			6.4	4014	222	62	2.00	7.3	3544			196	62	2.25																																																																																																																																																																																																																																																																																																																																																																										
74	270	19.34	7.4	2.00			81	245	17.57	7.2	2.10	GK59 GKF59 GKA59 GKAF59	4P			1.2	21626	1196	171	2.30	GK109R79 GKF109R79 GKA109R79 GKAF109R79	4P			94	212	15.22	7.1	2.40					108	185	13.25	6.9	2.60					120	166	11.92	6.5	2.30			127	157	11.26	6.5	2.50	55	362	25.91	5.0	1.05	GK49 GKF49 GKA49 GKAF49	4P	1.2	22222	1229	104	0.80			GK109R79 GKF109R79 GKA109R79 GKAF109R79	4P	66	304	21.81	5.0	1.25					73	273	19.58	5.0	1.35					3.0	8607	476	77	1.50			GK109R79 GKF109R79 GKA109R79 GKAF109R79	4P	3.4	7594	420			77	1.70	3.9	6654	368			78	1.95	4.3	5985	331	78	2.15			5.0	5189	287	78	2.45	1.8	14284	790	73	0.90	GK109R79 GKF109R79 GKA109R79 GKAF109R79	4P	2.0	12729	704	75	1.00			2.3	11030	610	76	1.20	2.6	9927			549	77	1.30	3.0	8625	477	77	1.50	3.4			7576	419	77	1.75	GK109R79 GKF109R79 GKA109R79 GKAF109R79	4P	3.1	8336	461	62	0.95			3.5	7377	408	62	1.05	3.9	6582			364	62	1.20	4.5	5750	318	62			1.40	5.0	5171	286	62	1.55	GK109R79 GKF109R79 GKA109R79 GKAF109R79	4P	5.7	4538	251	62	1.75			6.4	4014	222	62	2.00	7.3	3544			196	62	2.25																																																																																																																																																																																																																																																																																																																																																																																			
81	245	17.57	7.2	2.10	GK59 GKF59 GKA59 GKAF59	4P	1.2	21626	1196	171	2.30			GK109R79 GKF109R79 GKA109R79 GKAF109R79	4P																																																																																																																																																																																																																																																																																																																																																																																																																																																																																																																																																																																											
94	212	15.22	7.1	2.40			108	185	13.25	6.9	2.60					120	166	11.92	6.5	2.30					127	157	11.26	6.5	2.50					55	362	25.91	5.0	1.05			GK49 GKF49 GKA49 GKAF49	4P	1.2	22222	1229	104	0.80	GK109R79 GKF109R79 GKA109R79 GKAF109R79	4P	66	304	21.81	5.0	1.25	73	273	19.58	5.0	1.35			3.0	8607	476	77	1.50					GK109R79 GKF109R79 GKA109R79 GKAF109R79	4P	3.4	7594	420					77	1.70	3.9	6654	368			78	1.95	4.3	5985	331	78	2.15	5.0	5189			287	78	2.45			1.8	14284	790	73	0.90			GK109R79 GKF109R79 GKA109R79 GKAF109R79	4P	2.0	12729	704	75	1.00	2.3	11030	610	76	1.20	2.6	9927	549	77	1.30	3.0	8625			477	77	1.50	3.4	7576			419	77	1.75	GK109R79 GKF109R79 GKA109R79 GKAF109R79	4P	3.1	8336			461	62	0.95	3.5	7377	408	62	1.05	3.9	6582	364	62	1.20	4.5	5750			318	62	1.40	5.0	5171			286	62	1.55	GK109R79 GKF109R79 GKA109R79 GKAF109R79	4P	5.7	4538			251	62	1.75	6.4	4014	222	62	2.00	7.3	3544	196	62	2.25																																																																																																																																																																																																																																																																																																																																																																																																										
108	185	13.25	6.9	2.60			120	166	11.92	6.5	2.30					127	157	11.26	6.5	2.50					55	362	25.91	5.0	1.05			GK49 GKF49 GKA49 GKAF49	4P	1.2	22222	1229	104	0.80	GK109R79 GKF109R79 GKA109R79 GKAF109R79	4P			66	304	21.81	5.0	1.25			73	273	19.58	5.0	1.35	3.0	8607	476	77	1.50			GK109R79 GKF109R79 GKA109R79 GKAF109R79	4P	3.4	7594	420							77	1.70	3.9			6654	368	78	1.95	4.3	5985	331	78	2.15	5.0	5189	287	78	2.45	1.8	14284	790	73			0.90	GK109R79 GKF109R79 GKA109R79 GKAF109R79	4P			2.0	12729	704	75	1.00	2.3	11030			610	76	1.20	2.6	9927	549	77	1.30	3.0	8625	477	77	1.50	3.4	7576	419	77			1.75	GK109R79 GKF109R79 GKA109R79 GKAF109R79	4P	3.1	8336			461	62	0.95			3.5	7377	408	62	1.05	3.9	6582	364	62	1.20	4.5	5750	318	62	1.40	5.0	5171	286	62			1.55	GK109R79 GKF109R79 GKA109R79 GKAF109R79	4P	5.7	4538			251	62	1.75			6.4	4014	222	62	2.00	7.3	3544	196	62	2.25																																																																																																																																																																																																																																																																																																																																																																																																																	
120	166	11.92	6.5	2.30			127	157	11.26	6.5	2.50					55	362	25.91	5.0	1.05			GK49 GKF49 GKA49 GKAF49	4P	1.2	22222	1229	104	0.80	GK109R79 GKF109R79 GKA109R79 GKAF109R79	4P			66	304	21.81	5.0	1.25					73	273	19.58	5.0	1.35			3.0	8607	476	77	1.50	GK109R79 GKF109R79 GKA109R79 GKAF109R79	4P	3.4	7594	420					77	1.70	3.9	6654	368					78	1.95	4.3	5985	331	78	2.15	5.0	5189	287	78	2.45	1.8	14284	790	73	0.90	GK109R79 GKF109R79 GKA109R79 GKAF109R79	4P	2.0	12729	704	75			1.00			2.3	11030	610	76	1.20	2.6	9927	549	77			1.30	3.0	8625	477	77	1.50	3.4	7576	419	77	1.75	GK109R79 GKF109R79 GKA109R79 GKAF109R79	4P	3.1	8336	461	62			0.95			3.5	7377	408	62	1.05	3.9	6582			364	62	1.20	4.5	5750	318	62	1.40	5.0	5171	286	62	1.55	GK109R79 GKF109R79 GKA109R79 GKAF109R79	4P	5.7	4538	251	62			1.75			6.4	4014	222	62	2.00	7.3	3544			196	62	2.25																																																																																																																																																																																																																																																																																																																																																																																																																								
127	157	11.26	6.5	2.50			55	362	25.91	5.0	1.05	GK49 GKF49 GKA49 GKAF49	4P			1.2	22222	1229	104	0.80	GK109R79 GKF109R79 GKA109R79 GKAF109R79	4P			66	304	21.81	5.0	1.25					73	273	19.58	5.0	1.35					3.0	8607	476	77	1.50			GK109R79 GKF109R79 GKA109R79 GKAF109R79	4P	3.4	7594	420			77	1.70	3.9	6654	368			78	1.95	4.3	5985	331	78	2.15			5.0	5189	287	78	2.45	1.8	14284	790	73	0.90	GK109R79 GKF109R79 GKA109R79 GKAF109R79	4P	2.0	12729	704	75	1.00			2.3	11030	610	76	1.20	2.6	9927			549	77	1.30	3.0	8625	477	77	1.50	3.4			7576	419	77	1.75	GK109R79 GKF109R79 GKA109R79 GKAF109R79	4P	3.1	8336	461	62	0.95			3.5	7377	408	62	1.05	3.9	6582			364	62	1.20	4.5	5750	318	62			1.40	5.0	5171	286	62	1.55	GK109R79 GKF109R79 GKA109R79 GKAF109R79	4P	5.7	4538	251	62	1.75			6.4	4014	222	62	2.00	7.3	3544			196	62	2.25																																																																																																																																																																																																																																																																																																																																																																																																																																	
55	362	25.91	5.0	1.05	GK49 GKF49 GKA49 GKAF49	4P	1.2	22222	1229	104	0.80			GK109R79 GKF109R79 GKA109R79 GKAF109R79	4P																																																																																																																																																																																																																																																																																																																																																																																																																																																																																																																																																																																											
66	304	21.81	5.0	1.25			73	273	19.58	5.0	1.35					3.0	8607	476	77	1.50					GK109R79 GKF109R79 GKA109R79 GKAF109R79	4P	3.4	7594	420					77	1.70	3.9	6654	368			78	1.95	4.3	5985	331	78	2.15	5.0	5189			287	78	2.45			1.8	14284	790	73	0.90			GK109R79 GKF109R79 GKA109R79 GKAF109R79	4P	2.0	12729	704	75	1.00	2.3	11030	610	76	1.20	2.6	9927	549	77	1.30	3.0	8625			477	77	1.50	3.4	7576			419	77	1.75	GK109R79 GKF109R79 GKA109R79 GKAF109R79	4P	3.1	8336			461	62	0.95	3.5	7377	408	62	1.05	3.9	6582	364	62	1.20	4.5	5750			318	62	1.40	5.0	5171			286	62	1.55	GK109R79 GKF109R79 GKA109R79 GKAF109R79	4P	5.7	4538			251	62	1.75	6.4	4014	222	62	2.00	7.3	3544	196	62	2.25																																																																																																																																																																																																																																																																																																																																																																																																																																																								
73	273	19.58	5.0	1.35			3.0	8607	476	77	1.50					GK109R79 GKF109R79 GKA109R79 GKAF109R79	4P	3.4	7594	420							77	1.70	3.9			6654	368	78	1.95	4.3	5985	331	78	2.15	5.0	5189	287	78	2.45	1.8	14284	790	73			0.90	GK109R79 GKF109R79 GKA109R79 GKAF109R79	4P			2.0	12729	704	75	1.00	2.3	11030			610	76	1.20	2.6	9927	549	77	1.30	3.0	8625	477	77	1.50	3.4	7576	419	77			1.75	GK109R79 GKF109R79 GKA109R79 GKAF109R79	4P	3.1	8336			461	62	0.95			3.5	7377	408	62	1.05	3.9	6582	364	62	1.20	4.5	5750	318	62	1.40	5.0	5171	286	62			1.55	GK109R79 GKF109R79 GKA109R79 GKAF109R79	4P	5.7	4538			251	62	1.75			6.4	4014	222	62	2.00	7.3	3544	196	62	2.25																																																																																																																																																																																																																																																																																																																																																																																																																																																															
3.0	8607	476	77	1.50			GK109R79 GKF109R79 GKA109R79 GKAF109R79	4P	3.4	7594	420							77	1.70	3.9			6654	368			78	1.95	4.3	5985	331	78	2.15	5.0	5189	287	78	2.45	1.8	14284	790	73	0.90	GK109R79 GKF109R79 GKA109R79 GKAF109R79	4P	2.0	12729	704	75			1.00			2.3	11030	610	76	1.20	2.6	9927	549	77			1.30	3.0	8625	477	77	1.50	3.4	7576	419	77	1.75	GK109R79 GKF109R79 GKA109R79 GKAF109R79	4P	3.1	8336	461	62			0.95			3.5	7377	408	62	1.05	3.9	6582			364	62	1.20	4.5	5750	318	62	1.40	5.0	5171	286	62	1.55	GK109R79 GKF109R79 GKA109R79 GKAF109R79	4P	5.7	4538	251	62			1.75			6.4	4014	222	62	2.00	7.3	3544			196	62	2.25																																																																																																																																																																																																																																																																																																																																																																																																																																																																						
3.4	7594	420	77	1.70					3.9	6654	368	78	1.95					4.3	5985	331	78	2.15	5.0	5189			287	78	2.45	1.8	14284	790	73	0.90	GK109R79 GKF109R79 GKA109R79 GKAF109R79	4P	2.0	12729	704	75	1.00	2.3	11030			610	76	1.20	2.6	9927	549	77			1.30	3.0	8625	477	77	1.50	3.4	7576	419			77	1.75	GK109R79 GKF109R79 GKA109R79 GKAF109R79	4P	3.1	8336	461	62	0.95	3.5	7377			408	62	1.05	3.9	6582	364	62			1.20	4.5	5750	318	62	1.40	5.0			5171	286	62	1.55	GK109R79 GKF109R79 GKA109R79 GKAF109R79	4P	5.7	4538	251	62	1.75	6.4	4014			222	62	2.00	7.3	3544	196	62			2.25																																																																																																																																																																																																																																																																																																																																																																																																																																																																																	
3.9	6654	368	78	1.95	4.3	5985			331	78	2.15	5.0	5189	287	78			2.45	1.8	14284	790	73	0.90	GK109R79 GKF109R79 GKA109R79 GKAF109R79			4P	2.0	12729	704	75	1.00	2.3	11030			610	76	1.20	2.6	9927	549	77			1.30	3.0	8625	477	77	1.50	3.4			7576	419	77	1.75	GK109R79 GKF109R79 GKA109R79 GKAF109R79	4P	3.1	8336	461			62	0.95			3.5	7377	408	62	1.05	3.9	6582			364	62	1.20	4.5	5750	318	62			1.40	5.0	5171	286	62	1.55	GK109R79 GKF109R79 GKA109R79 GKAF109R79			4P	5.7	4538	251			62	1.75	6.4	4014	222	62	2.00			7.3	3544	196	62	2.25																																																																																																																																																																																																																																																																																																																																																																																																																																																																																						
4.3	5985	331	78	2.15	5.0	5189			287	78	2.45	1.8	14284	790	73			0.90	GK109R79 GKF109R79 GKA109R79 GKAF109R79	4P	2.0	12729	704		75	1.00		2.3	11030	610	76	1.20	2.6	9927			549	77	1.30	3.0	8625	477	77			1.50	3.4	7576	419	77	1.75	GK109R79 GKF109R79 GKA109R79 GKAF109R79			4P	3.1	8336	461			62	0.95	3.5	7377	408	62	1.05			3.9	6582	364	62	1.20	4.5	5750			318	62	1.40	5.0	5171	286	62			1.55	GK109R79 GKF109R79 GKA109R79 GKAF109R79	4P	5.7	4538	251		62	1.75		6.4	4014	222			62	2.00	7.3	3544	196	62	2.25																																																																																																																																																																																																																																																																																																																																																																																																																																																																																													
5.0	5189	287	78	2.45	1.8	14284			790	73	0.90	GK109R79 GKF109R79 GKA109R79 GKAF109R79	4P	2.0	12729	704	75	1.00			2.3	11030	610		76	1.20		2.6	9927	549	77	1.30	3.0	8625			477	77	1.50	3.4	7576	419	77			1.75	GK109R79 GKF109R79 GKA109R79 GKAF109R79	4P	3.1	8336	461		62	0.95		3.5	7377	408			62	1.05	3.9	6582	364	62	1.20			4.5	5750	318	62	1.40	5.0	5171			286	62	1.55	GK109R79 GKF109R79 GKA109R79 GKAF109R79	4P	5.7	4538	251	62	1.75			6.4	4014	222		62	2.00		7.3	3544	196			62	2.25																																																																																																																																																																																																																																																																																																																																																																																																																																																																																																		
1.8	14284	790	73	0.90	GK109R79 GKF109R79 GKA109R79 GKAF109R79	4P	2.0	12729	704	75	1.00			2.3	11030	610	76	1.20			2.6	9927	549		77	1.30		3.0	8625	477	77	1.50	3.4	7576			419	77	1.75	GK109R79 GKF109R79 GKA109R79 GKAF109R79	4P	3.1	8336	461	62	0.95			3.5	7377	408		62	1.05		3.9	6582	364			62	1.20	4.5	5750	318	62	1.40			5.0	5171	286	62	1.55	GK109R79 GKF109R79 GKA109R79 GKAF109R79	4P	5.7	4538	251	62	1.75			6.4	4014	222	62	2.00			7.3	3544	196		62	2.25																																																																																																																																																																																																																																																																																																																																																																																																																																																																																																										
2.0	12729	704	75	1.00			2.3	11030	610	76	1.20			2.6	9927	549	77	1.30			3.0	8625	477		77	1.50		3.4	7576	419	77	1.75	GK109R79 GKF109R79 GKA109R79 GKAF109R79	4P	3.1	8336	461	62	0.95			3.5	7377	408	62	1.05			3.9	6582	364		62	1.20		4.5	5750	318			62	1.40	5.0	5171	286	62	1.55	GK109R79 GKF109R79 GKA109R79 GKAF109R79	4P	5.7	4538	251	62	1.75			6.4	4014	222	62	2.00			7.3	3544	196	62	2.25																																																																																																																																																																																																																																																																																																																																																																																																																																																																																																																		
2.3	11030	610	76	1.20			2.6	9927	549	77	1.30			3.0	8625	477	77	1.50			3.4	7576	419	77	1.75	GK109R79 GKF109R79 GKA109R79 GKAF109R79	4P	3.1	8336	461	62	0.95			3.5	7377	408	62	1.05			3.9	6582	364	62	1.20			4.5	5750	318		62	1.40		5.0	5171	286	62	1.55	GK109R79 GKF109R79 GKA109R79 GKAF109R79	4P	5.7	4538	251	62	1.75			6.4	4014	222	62	2.00			7.3	3544	196	62	2.25																																																																																																																																																																																																																																																																																																																																																																																																																																																																																																																									
2.6	9927	549	77	1.30			3.0	8625	477	77	1.50			3.4	7576	419	77	1.75	GK109R79 GKF109R79 GKA109R79 GKAF109R79	4P	3.1	8336	461	62	0.95			3.5	7377	408	62	1.05			3.9	6582	364	62	1.20			4.5	5750	318	62	1.40			5.0	5171	286	62	1.55	GK109R79 GKF109R79 GKA109R79 GKAF109R79	4P	5.7	4538	251	62	1.75			6.4	4014	222	62	2.00			7.3	3544	196	62	2.25																																																																																																																																																																																																																																																																																																																																																																																																																																																																																																																																
3.0	8625	477	77	1.50			3.4	7576	419	77	1.75	GK109R79 GKF109R79 GKA109R79 GKAF109R79	4P	3.1	8336	461	62	0.95			3.5	7377	408	62	1.05			3.9	6582	364	62	1.20			4.5	5750	318	62	1.40			5.0	5171	286	62	1.55	GK109R79 GKF109R79 GKA109R79 GKAF109R79	4P	5.7	4538	251	62	1.75			6.4	4014	222	62	2.00			7.3	3544	196	62	2.25																																																																																																																																																																																																																																																																																																																																																																																																																																																																																																																																							
3.4	7576	419	77	1.75	GK109R79 GKF109R79 GKA109R79 GKAF109R79	4P	3.1	8336	461	62	0.95			3.5	7377	408	62	1.05			3.9	6582	364	62	1.20			4.5	5750	318	62	1.40			5.0	5171	286	62	1.55	GK109R79 GKF109R79 GKA109R79 GKAF109R79	4P	5.7	4538	251	62	1.75			6.4	4014	222	62	2.00			7.3	3544	196	62	2.25																																																																																																																																																																																																																																																																																																																																																																																																																																																																																																																																														
3.1	8336	461	62	0.95			3.5	7377	408	62	1.05			3.9	6582	364	62	1.20			4.5	5750	318	62	1.40			5.0	5171	286	62	1.55	GK109R79 GKF109R79 GKA109R79 GKAF109R79	4P	5.7	4538	251	62	1.75			6.4	4014	222	62	2.00			7.3	3544	196	62	2.25																																																																																																																																																																																																																																																																																																																																																																																																																																																																																																																																																					
3.5	7377	408	62	1.05			3.9	6582	364	62	1.20			4.5	5750	318	62	1.40			5.0	5171	286	62	1.55	GK109R79 GKF109R79 GKA109R79 GKAF109R79	4P	5.7	4538	251	62	1.75			6.4	4014	222	62	2.00			7.3	3544	196	62	2.25																																																																																																																																																																																																																																																																																																																																																																																																																																																																																																																																																												
3.9	6582	364	62	1.20			4.5	5750	318	62	1.40			5.0	5171	286	62	1.55	GK109R79 GKF109R79 GKA109R79 GKAF109R79	4P	5.7	4538	251	62	1.75			6.4	4014	222	62	2.00			7.3	3544	196	62	2.25																																																																																																																																																																																																																																																																																																																																																																																																																																																																																																																																																																			
4.5	5750	318	62	1.40			5.0	5171	286	62	1.55	GK109R79 GKF109R79 GKA109R79 GKAF109R79	4P	5.7	4538	251	62	1.75			6.4	4014	222	62	2.00			7.3	3544	196	62	2.25																																																																																																																																																																																																																																																																																																																																																																																																																																																																																																																																																																										
5.0	5171	286	62	1.55	GK109R79 GKF109R79 GKA109R79 GKAF109R79	4P	5.7	4538	251	62	1.75			6.4	4014	222	62	2.00			7.3	3544	196	62	2.25																																																																																																																																																																																																																																																																																																																																																																																																																																																																																																																																																																																	
5.7	4538	251	62	1.75			6.4	4014	222	62	2.00			7.3	3544	196	62	2.25																																																																																																																																																																																																																																																																																																																																																																																																																																																																																																																																																																																								
6.4	4014	222	62	2.00			7.3	3544	196	62	2.25																																																																																																																																																																																																																																																																																																																																																																																																																																																																																																																																																																																															
7.3	3544	196	62	2.25																																																																																																																																																																																																																																																																																																																																																																																																																																																																																																																																																																																																						

GK 系列斜齿轮-锥齿轮减速电机

选型参数表

(恒功率) 3kW-4kW

Selection Table

(Constant Power) 3kW-4kW

n_a [r/min]	M_a [Nm]	i	F_{Ra} [kN]	f_B	机型号 Type size	极数 Pole	n_a [r/min]	M_a [Nm]	i	F_{Ra} [kN]	f_B	机型号 Type size	极数 Pole
3kW							3kW						
8.2	3146	174	62	2.55	GK109R79	4P	32	844	44.32	9.0	0.90		4P
9.3	2785	154	62	2.85	GKF109R79		37	731	38.39	10	1.00	GK69	
10	2531	140	62	3.15	GKA109R79		40	678	35.61	11	1.15	GKF69	
					GKAF109R79		47	575	30.21	11	1.35	GKA69	
5.5	4665	258	38	0.90	GK99R59	4P	52	519	27.27	11	1.45	GKAF69	
6.2	4195	232	38	1.00	GKF99R59		60	457	23.99	12	1.65		
7.2	3598	199	38	1.20	GKA99R59		63	431	22.66	12	1.70		
					GKAF99R59		74	367	19.29	12	1.95		
4.9	5500	143.47	62	1.40	GK109	8P	82	334	17.53	12	2.10	GK69	
5.8	4656	121.46	62	1.65	GKF109		94	289	15.19	12	2.20	GKF69	
6.3	4309	112.41	62	1.80	GKA109		108	252	13.22	12	2.50	GKA69	
7.0	3862	100.75	62	2.00	GKAF109		115	238	12.48	12	2.10	GKAF69	
7.8	3487	90.96	62	2.20			135	202	10.63	12	2.30		
6.7	4068	143.47	62	1.85	GK109	6P	148	184	9.66	12	2.40		
7.9	3444	121.46	62	2.20	GKF109		47	576	30.28	6.8	0.95	GK59	
8.5	3187	112.41	62	2.30	GKA109		52	520	27.34	6.8	1.05	GKF59	
9.5	2856	100.75	62	2.60	GKAF109		59	458	24.05	6.8	1.20	GKA59	
10	2731	143.47	62	2.70	GK109	4P						GKAF59	
12	2312	121.46	62	3.20	GKF109		63	432	22.71	6.8	1.30		
					GKA109		74	368	19.34	6.7	1.45		
					GKAF109		81	334	17.57	6.7	1.55		
7.7	3514	123.93	38	1.15	GK99	6P	94	290	15.22	6.5	1.70	GK59	
9.1	2981	105.13	38	1.35	GKF99		108	252	13.25	6.4	1.90	GKF59	
9.9	2744	96.80	38	1.45	GKA99		120	227	11.92	6.1	1.70	GKA59	
11	2453	86.52	38	1.65	GKAF99		127	214	11.26	6.1	1.80	GKAF59	
8.1	3351	176.05	38	1.20	GK99		149	183	9.59	5.9	2.10		
9.3	2916	153.21	38	1.35	GKF99	4P	164	166	8.71	5.8	2.20		
10	2670	140.28	38	1.50	GKA99		189	144	7.55	5.6	2.40		
12	2359	123.93	38	1.70	GKAF99		218	125	6.57	5.5	2.60		
14	2001	105.13	38	2.00			73	373	19.58	4.2	1.00	GK49	
15	1842	96.80	38	2.20	GK99	4P	85	321	16.86	4.3	1.10	GKF49	
17	1647	86.52	38	2.40	GKF99		90	302	15.86	4.3	1.15	GKA49	
18	1482	77.89	38	2.70	GKA99							GKAF49	
20	1343	70.54	38	3.00	GKAF99		105	260	13.65	4.3	1.30		
23	1191	62.55	38	3.40		117	232	12.19	4.3	1.40			
25	1076	56.55	38	3.70		121	224	11.77	4.2	1.15	GK49		
9.7	2804	147.33	26	0.90	GK89	4P	135	201	10.56	4.1	1.30	GKF49	
11	2416	126.91	26	1.05	GKF89		157	173	9.10	4.1	1.50	GKA49	
12	2204	115.82	26	1.15	GKA89		167	163	8.56	4.1	1.55	GKAF49	
14	1955	102.71	27	1.30	GKAF89		194	140	7.36	4.0	1.65		
17	1643	86.34	27	1.55			217	125	6.58	3.9	1.80		
18	1510	79.34	27	1.65		254	107	5.62	3.8	1.95			
20	1341	70.46	27	1.85	GK89	4P	160	170	8.91	1.9	0.90	GK39	
23	1199	63.00	27	2.10	GKF89		180	152	7.96	1.9	0.95	GKF39	
25	1078	56.64	27	2.30	GKA89		210	129	6.80	2.0	1.10	GKA39	
29	936	49.16	27	2.70	GKAF89		224	121	6.37	2.0	1.10	GKAF39	
32	838	44.02	27	2.90			267	102	5.36	2.0	1.30		
39	695	36.52	27	3.30			4kW						
16	1687	88.61	12	0.85			1.7	19991	835	171	2.50	GK189R109	
18	1480	77.76	14	0.95	GK79		2.8	12449	520	171	4.00	GKA189R109	
19	1403	73.69	15	1.00	GKF79	4P	0.57	60308	2519	152	0.80		
22	1227	64.49	16	1.15	GKA79		0.63	54299	2268	162	0.90		
25	1106	58.10	17	1.30	GKAF79		0.70	49175	2054	170	1.00		
28	970	50.97	17	1.50			0.79	43597	1821	171	1.10	GK189R99	
32	856	44.98	18	1.70	GK79		0.9	38426	1605	171	1.25	GKA189R99	
36	759	39.88	18	1.90	GKF79		1.0	33398	1395	171	1.45		
41	667	35.05	18	2.20	GKA79		1.2	28634	1196	171	1.70		
46	585	30.76	18	2.50	GKAF79								

选型参数表
(恒功率) 4kW
Selection Table
(Constant Power) 4kW

n_a [r/min]	M_a [Nm]	i	F_{Ra} [kN]	f_B	机型号 Type size	极数 Pole	n_a [r/min]	M_a [Nm]	i	F_{Ra} [kN]	f_B	机型号 Type size	极数 Pole																																																																																																																																																																																																																																																																																																																																																																																																																																																																																																		
4kW							4kW																																																																																																																																																																																																																																																																																																																																																																																																																																																																																																								
1.4	25043	1046	171	1.95	GK189R99	4P	10	3616	143.47	62	2.10	GK109 GKF109 GKA109 GKAF109	4P																																																																																																																																																																																																																																																																																																																																																																																																																																																																																																		
1.5	22625	945	171	2.20	GKA189R99		1.0	33709	1408	135	0.90			GK169R99 GKA169R99	4P	12	3061	121.46	62	2.50	1.1	31028	1296	135	1.00	1.3	26359	1101	135	1.20	1.5	22601	944	135	1.40	1.7	20206	844	135	1.55	1.9	18124	757	135	1.75	2.3	15131	632	135	2.10	1.7	20422	853	105	0.85	GK159R99 GKF159R99 GKA159R99 GKAF159R99	4P	13	2833	112.41	62	2.70	1.9	18100	756	106	1.00	2.5	13575	567	108	1.30	2.9	12066	504	109	1.45	3.3	10391	434	109	1.70	2.7	12904	539	75	1.00	GK129R89 GKF129R89 GKA129R89 GKAF129R89	4P	14	2539	100.75	62	3.00	3.0	11396	476	76	1.15	3.4	10055	420	77	1.30	3.9	8810	368	77	1.45	4.4	7925	331	77	1.65	5.0	6871	287	78	1.90	5.7	6081	254	78	2.15	2.4	14604	610	72	0.90	GK129R79 GKF129R79 GKA129R79 GKAF129R79	4P	16	2292	90.96	62	3.30	2.6	13144	549	75	1.00	3.0	11420	477	76	1.15	3.4	10031	419	76	1.30	4.0	8715	364	62	0.90	GK109R79 GKF109R79 GKA109R79 GKAF109R79	4P	17	2082	82.61	62	3.60	4.5	7613	318	62	1.05	5.0	6847	286	62	1.15	5.7	6009	251	62	1.35	6.5	5315	222	62	1.50	7.3	4692	196	62	1.70	8.3	4166	174	62	1.90	9.4	3687	154	62	2.15	10	3352	140	62	2.40	7.2	4764	199	38	0.90	GK99R59 GKF99R59 GKA99R59 GKAF99R59	4P	18	1963	77.89	38	2.00	5.3	6862	136.14	78	1.80	GK129 GKF129 GKA129 GKAF129	8P	20	1778	70.54	38	2.30	5.9	6173	122.48	78	2.00	6.5	5553	110.18	78	2.20	6.6	5146	146.07	78	2.20	GK129 GKF129 GKA129 GKAF129	6P	12	2919	115.82	25	0.85	7.1	4630	136.14	78	2.40	7.8	4165	122.48	78	2.70	8.7	4249	110.18	78	3.00	6.4	5666	112.41	62	1.35	GK109 GKF109 GKA109 GKAF109	8P	14	2588	102.71	26	1.00	7.1	5078	100.75	62	1.50	7.9	4585	90.96	62	1.65	8.7	4164	82.61	62	1.85	6.7	5423	143.47	62	1.40	GK99 GKF99 GKA99 GKAF99	4P	17	2176	86.34	26	1.15	7.9	4591	121.46	62	1.65	8.5	4249	112.41	62	1.80	9.5	3809	100.75	62	2.00	11	3438	90.96	62	2.20	9.4	3687	154	62	2.15	10	3352	140	62	2.40	22	1625	64.49	13	0.90	GK89 GKF89 GKA89 GKAF89	4P	22	1776	70.46	27	1.40	25	1464	58.10	14	1.00	28	1285	50.97	16	1.15	32	1134	44.98	17	1.30	36	1005	39.88	17	1.45	38	963	38.23	17	1.45	41	883	35.05	18	1.65	47	775	30.76	18	1.85	49	735	29.15	18	1.95	56	643	25.51	18	2.20	63	579	22.98	19	2.50	71	508	20.16	19	2.80	48	761	30.21	10	1.00	GK79 GKF79 GKA79 GKAF79	4P	53	687	27.27	10	1.10	60	605	23.99	11	1.25	64	571	22.66	11	1.30	75	486	19.29	12	1.45	82	442	17.53	12	1.55	95	383	15.19	12	1.70	109	333	13.22	12	1.90	115	315	12.48	12	1.60	135	268	10.63	12	1.75	149	243	9.66	12	1.85	172	211	8.37	12	1.95	198	183	7.28	11	2.10																												
1.0	33709	1408	135	0.90	GK169R99 GKA169R99	4P	12	3061	121.46	62	2.50					1.1	31028	1296	135	1.00	1.3	26359	1101	135	1.20	1.5	22601	944	135	1.40	1.7	20206	844	135	1.55	1.9	18124	757	135	1.75	2.3	15131	632	135	2.10	1.7	20422	853	105	0.85	GK159R99 GKF159R99 GKA159R99 GKAF159R99	4P	13	2833	112.41			62	2.70	1.9	18100	756	106	1.00	2.5	13575	567	108	1.30	2.9	12066	504	109	1.45	3.3	10391	434	109	1.70	2.7	12904	539	75	1.00	GK129R89 GKF129R89 GKA129R89 GKAF129R89	4P	14			2539	100.75	62	3.00	3.0	11396	476	76	1.15	3.4	10055	420	77	1.30	3.9	8810	368	77	1.45	4.4	7925	331	77	1.65	5.0	6871	287	78	1.90	5.7	6081	254	78	2.15	2.4	14604	610	72	0.90	GK129R79 GKF129R79 GKA129R79 GKAF129R79			4P	16	2292	90.96	62	3.30	2.6	13144	549	75	1.00	3.0	11420	477	76	1.15	3.4	10031	419	76	1.30	4.0	8715	364	62			0.90	GK109R79 GKF109R79 GKA109R79 GKAF109R79	4P	17	2082	82.61	62	3.60	4.5	7613	318	62	1.05	5.0	6847	286	62	1.15	5.7	6009	251	62	1.35	6.5	5315	222	62	1.50	7.3	4692	196	62	1.70	8.3	4166	174	62	1.90	9.4	3687	154	62	2.15	10	3352	140	62	2.40	7.2	4764	199	38	0.90	GK99R59 GKF99R59 GKA99R59 GKAF99R59	4P	18	1963	77.89	38	2.00	5.3	6862			136.14	78	1.80	GK129 GKF129 GKA129 GKAF129	8P	20	1778	70.54	38	2.30	5.9	6173	122.48	78	2.00	6.5	5553	110.18	78	2.20			6.6	5146	146.07	78	2.20	GK129 GKF129 GKA129 GKAF129	6P	12	2919	115.82	25	0.85	7.1	4630	136.14	78	2.40	7.8	4165	122.48	78	2.70	8.7	4249	110.18			78	3.00	6.4	5666	112.41	62	1.35	GK109 GKF109 GKA109 GKAF109	8P	14	2588	102.71	26	1.00	7.1	5078	100.75	62	1.50	7.9	4585	90.96	62	1.65	8.7			4164	82.61	62	1.85	6.7	5423	143.47	62	1.40	GK99 GKF99 GKA99 GKAF99	4P	17	2176	86.34	26	1.15	7.9	4591	121.46	62	1.65	8.5	4249	112.41	62	1.80	9.5	3809	100.75	62	2.00	11	3438	90.96	62	2.20	9.4	3687	154	62			2.15	10	3352	140	62	2.40	22	1625	64.49	13	0.90	GK89 GKF89 GKA89 GKAF89	4P	22	1776	70.46	27	1.40	25	1464	58.10	14	1.00	28	1285	50.97	16	1.15	32	1134	44.98	17	1.30	36	1005	39.88	17	1.45	38	963	38.23	17	1.45	41	883	35.05	18	1.65	47	775	30.76	18	1.85	49	735	29.15	18	1.95	56	643	25.51	18	2.20	63	579			22.98	19	2.50	71	508	20.16	19	2.80	48	761	30.21	10	1.00	GK79 GKF79 GKA79 GKAF79	4P	53	687	27.27	10	1.10	60	605	23.99	11	1.25	64	571	22.66	11	1.30	75	486	19.29	12	1.45	82	442	17.53	12	1.55	95	383	15.19	12	1.70	109	333	13.22	12	1.90	115	315	12.48	12	1.60	135	268	10.63	12	1.75	149	243	9.66	12	1.85	172	211	8.37	12	1.95	198	183	7.28	11	2.10													
1.1	31028	1296	135	1.00			1.3	26359	1101	135	1.20					1.5	22601	944	135	1.40	1.7	20206	844	135	1.55	1.9	18124	757	135	1.75	2.3	15131	632	135	2.10	1.7	20422	853	105	0.85	GK159R99 GKF159R99 GKA159R99 GKAF159R99	4P	13	2833	112.41	62	2.70	1.9	18100	756			106	1.00	2.5			13575	567	108	1.30	2.9	12066	504	109	1.45	3.3	10391	434	109	1.70	2.7	12904	539	75	1.00	GK129R89 GKF129R89 GKA129R89 GKAF129R89	4P	14	2539	100.75	62	3.00	3.0			11396			476	76	1.15	3.4	10055	420	77	1.30	3.9	8810	368	77	1.45	4.4	7925	331	77	1.65	5.0	6871	287	78	1.90	5.7	6081	254	78	2.15	2.4	14604	610	72	0.90	GK129R79 GKF129R79 GKA129R79 GKAF129R79	4P	16	2292	90.96	62					3.30	2.6	13144	549	75	1.00	3.0	11420	477	76	1.15	3.4	10031	419	76	1.30	4.0	8715	364	62	0.90	GK109R79 GKF109R79 GKA109R79 GKAF109R79	4P	17			2082			82.61	62	3.60	4.5	7613	318	62	1.05	5.0	6847	286	62	1.15	5.7	6009	251	62	1.35	6.5	5315	222	62	1.50	7.3	4692	196	62	1.70	8.3	4166	174	62	1.90	9.4	3687	154	62	2.15	10	3352	140	62	2.40	7.2	4764	199	38	0.90	GK99R59 GKF99R59 GKA99R59 GKAF99R59	4P	18	1963	77.89	38	2.00	5.3	6862	136.14	78			1.80	GK129 GKF129 GKA129 GKAF129	8P			20	1778	70.54	38	2.30	5.9	6173	122.48	78	2.00	6.5	5553	110.18	78	2.20	6.6	5146	146.07	78	2.20	GK129 GKF129 GKA129 GKAF129	6P			12	2919	115.82	25	0.85	7.1	4630	136.14	78	2.40	7.8	4165	122.48	78	2.70	8.7	4249	110.18			78	3.00	6.4	5666	112.41	62	1.35			GK109 GKF109 GKA109 GKAF109	8P	14	2588	102.71	26	1.00	7.1	5078	100.75	62	1.50	7.9	4585	90.96	62			1.65	8.7	4164	82.61	62	1.85	6.7	5423	143.47			62	1.40	GK99 GKF99 GKA99 GKAF99	4P	17	2176	86.34	26	1.15	7.9	4591	121.46	62	1.65	8.5	4249	112.41	62	1.80	9.5	3809	100.75	62	2.00	11	3438	90.96	62	2.20			9.4	3687	154	62	2.15	10	3352	140	62	2.40	22			1625	64.49	13	0.90	GK89 GKF89 GKA89 GKAF89	4P	22	1776	70.46	27	1.40	25	1464	58.10	14	1.00	28	1285	50.97	16	1.15	32	1134	44.98	17	1.30	36	1005	39.88	17	1.45	38	963	38.23	17	1.45	41	883	35.05	18	1.65	47	775	30.76	18	1.85	49	735	29.15	18	1.95	56			643	25.51	18	2.20	63	579	22.98	19	2.50	71	508	20.16	19			2.80	48	761	30.21	10	1.00	GK79 GKF79 GKA79 GKAF79	4P	53	687	27.27	10	1.10	60	605	23.99	11	1.25	64	571	22.66	11	1.30	75	486	19.29	12	1.45	82	442	17.53	12	1.55	95	383	15.19	12	1.70	109	333	13.22	12	1.90	115	315	12.48	12	1.60	135	268	10.63	12	1.75	149	243	9.66	12	1.85	172	211	8.37	12	1.95	198	183	7.28	11	2.10					
1.3	26359	1101	135	1.20			1.5	22601	944	135	1.40					1.7	20206	844	135	1.55	1.9	18124	757	135	1.75	2.3	15131	632	135	2.10	1.7	20422	853	105	0.85	GK159R99 GKF159R99 GKA159R99 GKAF159R99	4P	13	2833	112.41			62	2.70	1.9	18100	756	106	1.00	2.5			13575	567	108			1.30	2.9	12066	504	109	1.45	3.3	10391	434	109	1.70	2.7	12904	539	75	1.00	GK129R89 GKF129R89 GKA129R89 GKAF129R89	4P	14			2539	100.75	62	3.00	3.0	11396			476			76	1.15	3.4	10055	420	77	1.30	3.9	8810	368	77	1.45	4.4	7925	331	77	1.65	5.0	6871	287	78	1.90	5.7	6081	254	78	2.15	2.4	14604	610	72	0.90	GK129R79 GKF129R79 GKA129R79 GKAF129R79			4P	16	2292	90.96					62	3.30	2.6	13144	549	75	1.00	3.0	11420	477	76	1.15	3.4	10031	419	76	1.30	4.0	8715	364	62			0.90			GK109R79 GKF109R79 GKA109R79 GKAF109R79			4P	17	2082	82.61	62	3.60	4.5	7613	318	62	1.05	5.0	6847	286	62	1.15	5.7	6009	251	62	1.35	6.5	5315	222	62	1.50	7.3	4692	196	62	1.70	8.3	4166	174	62	1.90	9.4	3687	154	62	2.15	10	3352	140	62	2.40	7.2	4764	199	38	0.90	GK99R59 GKF99R59 GKA99R59 GKAF99R59	4P	18	1963	77.89	38	2.00	5.3	6862	136.14	78					1.80	GK129 GKF129 GKA129 GKAF129	8P	20	1778	70.54	38	2.30	5.9	6173	122.48	78	2.00	6.5	5553	110.18	78	2.20	6.6	5146			146.07	78	2.20	GK129 GKF129 GKA129 GKAF129	6P	12	2919	115.82	25	0.85	7.1	4630	136.14	78	2.40	7.8	4165	122.48	78	2.70			8.7	4249	110.18	78	3.00	6.4	5666					112.41	62	1.35	GK109 GKF109 GKA109 GKAF109	8P	14	2588	102.71	26	1.00	7.1	5078	100.75	62			1.50	7.9	4585	90.96	62	1.65	8.7	4164	82.61			62	1.85			6.7	5423	143.47	62	1.40	GK99 GKF99 GKA99 GKAF99	4P	17	2176	86.34	26	1.15	7.9	4591	121.46	62	1.65	8.5	4249	112.41	62	1.80	9.5	3809	100.75			62	2.00	11	3438	90.96	62	2.20	9.4	3687	154	62			2.15	10	3352	140			62	2.40	22	1625	64.49	13	0.90	GK89 GKF89 GKA89 GKAF89	4P	22	1776	70.46	27	1.40	25	1464	58.10	14	1.00	28	1285	50.97	16	1.15	32	1134	44.98	17	1.30	36	1005	39.88	17	1.45	38	963	38.23	17	1.45	41	883	35.05	18	1.65	47	775			30.76	18	1.85	49	735	29.15	18	1.95	56	643	25.51	18	2.20			63	579	22.98	19	2.50	71			508	20.16	19	2.80	48	761	30.21	10	1.00	GK79 GKF79 GKA79 GKAF79	4P	53	687	27.27	10	1.10	60	605	23.99	11	1.25	64	571	22.66	11	1.30	75	486	19.29	12	1.45	82	442	17.53	12	1.55	95	383	15.19	12	1.70	109	333	13.22	12	1.90	115	315	12.48	12	1.60	135	268	10.63	12	1.75	149	243	9.66	12	1.85	172	211	8.37	12
1.5	22601	944	135	1.40			1.7	20206	844	135	1.55					1.9	18124	757	135	1.75	2.3	15131	632	135	2.10	1.7	20422	853	105	0.85	GK159R99 GKF159R99 GKA159R99 GKAF159R99	4P	13	2833	112.41			62	2.70	1.9			18100	756	106	1.00	2.5	13575	567	108			1.30	2.9	12066	504	109	1.45	3.3	10391	434	109	1.70	2.7	12904	539	75	1.00	GK129R89 GKF129R89 GKA129R89 GKAF129R89	4P	14	2539	100.75			62			3.00	3.0	11396	476	76	1.15			3.4			10055	420	77	1.30	3.9	8810	368	77	1.45	4.4	7925	331	77	1.65	5.0	6871	287	78	1.90	5.7	6081	254	78	2.15	2.4	14604	610	72	0.90	GK129R79 GKF129R79 GKA129R79 GKAF129R79	4P	16					2292	90.96	62		3.30	2.6		13144	549	75	1.00	3.0	11420	477	76	1.15	3.4	10031	419	76	1.30	4.0	8715	364	62	0.90	GK109R79 GKF109R79 GKA109R79 GKAF109R79	4P			17							2082	82.61	62	3.60	4.5	7613	318	62	1.05	5.0	6847	286	62	1.15	5.7	6009	251	62	1.35	6.5	5315	222	62	1.50	7.3	4692	196	62	1.70	8.3	4166	174	62	1.90	9.4	3687	154	62	2.15	10	3352	140	62	2.40	7.2	4764	199	38	0.90	GK99R59 GKF99R59 GKA99R59 GKAF99R59	4P	18	1963	77.89	38	2.00	5.3	6862	136.14	78	1.80			GK129 GKF129 GKA129 GKAF129	8P	20			1778	70.54	38	2.30	5.9	6173	122.48	78	2.00	6.5	5553	110.18	78	2.20	6.6	5146	146.07	78	2.20	GK129 GKF129 GKA129 GKAF129	6P	12			2919	115.82	25	0.85	7.1	4630	136.14	78	2.40	7.8	4165	122.48	78	2.70	8.7	4249	110.18	78	3.00	6.4	5666	112.41	62	1.35					GK109 GKF109 GKA109 GKAF109	8P	14			2588	102.71	26	1.00	7.1	5078	100.75	62	1.50			7.9	4585	90.96	62	1.65	8.7	4164	82.61	62			1.85	6.7			5423	143.47	62	1.40	GK99 GKF99 GKA99 GKAF99			4P	17	2176	86.34	26	1.15	7.9	4591	121.46	62	1.65	8.5	4249	112.41	62	1.80	9.5	3809			100.75	62	2.00	11	3438	90.96	62	2.20	9.4	3687	154			62	2.15	10	3352			140	62	2.40	22	1625	64.49	13			0.90	GK89 GKF89 GKA89 GKAF89	4P	22	1776	70.46	27	1.40	25	1464	58.10	14	1.00	28	1285	50.97	16	1.15	32	1134	44.98	17	1.30	36	1005	39.88	17	1.45	38	963	38.23	17	1.45	41	883	35.05	18	1.65	47	775	30.76	18	1.85	49	735	29.15	18	1.95	56	643	25.51	18			2.20	63	579	22.98	19	2.50			71	508	20.16	19	2.80	48	761	30.21	10			1.00	GK79 GKF79 GKA79 GKAF79	4P	53	687	27.27	10	1.10	60	605	23.99	11	1.25	64	571	22.66	11	1.30	75	486	19.29	12	1.45	82	442	17.53	12	1.55	95	383	15.19	12	1.70	109	333	13.22	12	1.90	115	315	12.48	12	1.60	135	268	10.63	12	1.75	149	243	9.66	12	1.85	172
1.7	20206	844	135	1.55			1.9	18124	757	135	1.75					2.3	15131	632	135	2.10	1.7	20422	853	105	0.85	GK159R99 GKF159R99 GKA159R99 GKAF159R99	4P	13	2833	112.41			62	2.70	1.9			18100	756	106			1.00	2.5	13575	567	108	1.30	2.9	12066	504	109	1.45	3.3	10391	434	109	1.70	2.7	12904	539	75	1.00	GK129R89 GKF129R89 GKA129R89 GKAF129R89	4P	14	2539	100.75			62	3.00	3.0			11396			476	76	1.15	3.4	10055	420			77			1.30	3.9	8810	368	77	1.45	4.4	7925	331	77	1.65	5.0	6871	287	78	1.90	5.7	6081	254	78	2.15	2.4	14604	610	72	0.90	GK129R79 GKF129R79 GKA129R79 GKAF129R79	4P	16			2292					90.96	62	3.30	2.6	13144	549	75	1.00	3.0	11420	477	76	1.15	3.4	10031	419	76	1.30	4.0	8715	364	62	0.90	GK109R79 GKF109R79 GKA109R79 GKAF109R79	4P	17					2082							82.61	62	3.60	4.5	7613	318	62	1.05	5.0	6847	286	62	1.15	5.7	6009	251	62	1.35	6.5	5315	222	62	1.50	7.3	4692	196	62	1.70	8.3	4166	174	62	1.90	9.4	3687	154	62	2.15	10	3352	140	62	2.40	7.2	4764	199	38	0.90	GK99R59 GKF99R59 GKA99R59 GKAF99R59	4P	18	1963	77.89	38	2.00	5.3	6862	136.14	78	1.80	GK129 GKF129 GKA129 GKAF129	8P	20			1778			70.54	38	2.30	5.9	6173	122.48	78	2.00	6.5	5553	110.18	78	2.20	6.6	5146	146.07	78	2.20	GK129 GKF129 GKA129 GKAF129			6P	12	2919	115.82	25	0.85	7.1	4630	136.14	78	2.40	7.8	4165	122.48	78	2.70	8.7	4249	110.18	78	3.00	6.4	5666	112.41	62	1.35	GK109 GKF109 GKA109 GKAF109	8P	14					2588			102.71	26	1.00	7.1	5078	100.75	62	1.50	7.9			4585	90.96	62	1.65	8.7	4164	82.61	62	1.85			6.7	5423			143.47	62	1.40	GK99 GKF99 GKA99 GKAF99					4P	17	2176	86.34	26	1.15	7.9	4591	121.46	62	1.65	8.5	4249	112.41	62	1.80	9.5			3809	100.75	62	2.00	11	3438	90.96	62	2.20	9.4	3687			154	62	2.15	10			3352	140	62	2.40	22	1625	64.49			13			0.90	GK89 GKF89 GKA89 GKAF89	4P	22	1776	70.46	27	1.40	25	1464	58.10	14	1.00	28	1285	50.97	16	1.15	32	1134	44.98	17	1.30	36	1005	39.88	17	1.45	38	963	38.23	17	1.45	41	883	35.05	18	1.65	47	775	30.76	18	1.85	49	735	29.15	18	1.95	56	643	25.51	18	2.20	63	579	22.98	19			2.50	71	508	20.16	19	2.80	48	761	30.21			10			1.00	GK79 GKF79 GKA79 GKAF79	4P	53	687	27.27	10	1.10	60	605	23.99	11	1.25	64	571	22.66	11	1.30	75	486	19.29	12	1.45	82	442	17.53	12	1.55	95	383	15.19	12	1.70	109	333	13.22	12	1.90	115	315	12.48	12	1.60	135	268	10.63	12	1.75	149	243	9.66
1.9	18124	757	135	1.75			2.3	15131	632	135	2.10					1.7	20422	853	105	0.85	GK159R99 GKF159R99 GKA159R99 GKAF159R99	4P	13	2833	112.41			62	2.70	1.9			18100	756	106			1.00	2.5	13575	567	108	1.30	2.9	12066	504	109	1.45	3.3	10391	434	109	1.70	2.7	12904	539	75	1.00	GK129R89 GKF129R89 GKA129R89 GKAF129R89	4P	14	2539	100.75			62	3.00	3.0			11396	476	76			1.15			3.4	10055	420	77	1.30	3.9			8810			368	77	1.45	4.4	7925	331	77	1.65	5.0	6871	287	78	1.90	5.7	6081	254	78	2.15	2.4	14604	610	72	0.90	GK129R79 GKF129R79 GKA129R79 GKAF129R79	4P	16			2292			90.96		62	3.30		2.6	13144	549	75	1.00	3.0	11420	477	76	1.15	3.4	10031	419	76	1.30	4.0	8715	364	62	0.90	GK109R79 GKF109R79 GKA109R79 GKAF109R79	4P	17			2082					82.61							62	3.60	4.5	7613	318	62	1.05	5.0	6847	286	62	1.15	5.7	6009	251	62	1.35	6.5	5315	222	62	1.50	7.3	4692	196	62	1.70	8.3	4166	174	62	1.90	9.4	3687	154	62	2.15	10	3352	140	62	2.40	7.2	4764	199	38	0.90	GK99R59 GKF99R59 GKA99R59 GKAF99R59	4P	18	1963	77.89	38	2.00	5.3	6862	136.14	78	1.80	GK129 GKF129 GKA129 GKAF129			8P			20	1778	70.54	38	2.30	5.9	6173	122.48	78	2.00	6.5	5553	110.18	78	2.20	6.6	5146	146.07	78	2.20	GK129 GKF129 GKA129 GKAF129		6P	12		2919	115.82	25	0.85	7.1	4630	136.14	78	2.40	7.8	4165	122.48	78	2.70	8.7	4249	110.18	78	3.00	6.4	5666	112.41	62	1.35	GK109 GKF109 GKA109 GKAF109			8P	14	2588			102.71			26	1.00	7.1	5078	100.75	62	1.50	7.9	4585			90.96	62	1.65	8.7	4164	82.61	62	1.85	6.7			5423	143.47			62	1.40	GK99 GKF99 GKA99 GKAF99							4P	17	2176	86.34	26	1.15	7.9	4591	121.46	62	1.65	8.5	4249	112.41	62	1.80			9.5	3809	100.75	62	2.00	11	3438	90.96	62	2.20	9.4			3687	154	62	2.15			10	3352	140	62	2.40	22	1625			64.49			13			0.90	GK89 GKF89 GKA89 GKAF89	4P	22	1776	70.46	27	1.40	25	1464	58.10	14	1.00	28	1285	50.97	16	1.15	32	1134	44.98	17	1.30	36	1005	39.88	17	1.45	38	963	38.23	17	1.45	41	883	35.05	18	1.65	47	775	30.76	18	1.85	49	735	29.15	18	1.95	56	643	25.51	18	2.20	63	579	22.98	19	2.50	71	508	20.16	19	2.80	48	761			30.21			10			1.00	GK79 GKF79 GKA79 GKAF79	4P	53	687	27.27	10	1.10	60	605	23.99	11	1.25	64	571	22.66	11	1.30	75	486	19.29	12	1.45	82	442	17.53	12	1.55	95	383	15.19	12	1.70	109	333	13.22	12	1.90	115	315	12.48	12	1.60	135	268	10.63	12	1.75
2.3	15131	632	135	2.10			1.7	20422	853	105	0.85			GK159R99 GKF159R99 GKA159R99 GKAF159R99	4P	13	2833	112.41	62	2.70			1.9	18100	756			106	1.00	2.5			13575	567	108	1.30	2.9	12066	504	109	1.45	3.3	10391	434	109	1.70	2.7	12904	539	75	1.00	GK129R89 GKF129R89 GKA129R89 GKAF129R89	4P	14	2539	100.75	62	3.00			3.0	11396	476			76	1.15	3.4			10055	420	77			1.30			3.9	8810	368	77	1.45	4.4			7925	331	77	1.65	5.0	6871	287	78	1.90	5.7	6081	254	78	2.15	2.4	14604	610	72	0.90	GK129R79 GKF129R79 GKA129R79 GKAF129R79	4P	16	2292	90.96	62	3.30			2.6			13144			549	75	1.00	3.0	11420	477	76	1.15	3.4	10031	419	76	1.30	4.0	8715	364	62	0.90	GK109R79 GKF109R79 GKA109R79 GKAF109R79	4P	17	2082	82.61	62	3.60			4.5			7613					318							62	1.05	5.0	6847	286	62	1.15	5.7	6009	251	62	1.35	6.5	5315	222	62	1.50	7.3	4692	196	62	1.70	8.3	4166	174	62	1.90	9.4	3687	154	62	2.15	10	3352	140	62	2.40	7.2	4764	199	38	0.90	GK99R59 GKF99R59 GKA99R59 GKAF99R59	4P	18	1963	77.89	38	2.00	5.3	6862	136.14	78	1.80	GK129 GKF129 GKA129 GKAF129	8P	20	1778	70.54					38	2.30	5.9	6173	122.48	78	2.00	6.5	5553	110.18	78	2.20	6.6	5146	146.07	78	2.20	GK129 GKF129 GKA129 GKAF129	6P	12	2919	115.82		25		0.85	7.1	4630	136.14	78	2.40	7.8	4165	122.48	78	2.70	8.7	4249	110.18	78	3.00	6.4	5666	112.41	62	1.35	GK109 GKF109 GKA109 GKAF109	8P	14	2588	102.71					26	1.00			7.1	5078	100.75	62	1.50	7.9	4585	90.96	62	1.65	8.7	4164	82.61	62	1.85	6.7	5423	143.47	62	1.40	GK99 GKF99 GKA99 GKAF99	4P	17			2176	86.34			26	1.15									7.9	4591	121.46	62	1.65	8.5	4249	112.41	62	1.80	9.5	3809	100.75	62	2.00			11	3438	90.96	62	2.20	9.4	3687	154	62	2.15	10			3352	140	62	2.40			22	1625	64.49	13	0.90	GK89 GKF89 GKA89 GKAF89	4P			22			1776			70.46			27	1.40	25	1464	58.10	14	1.00	28	1285	50.97	16	1.15	32	1134	44.98	17	1.30	36	1005	39.88	17	1.45	38	963	38.23	17	1.45	41	883	35.05	18	1.65	47	775	30.76	18	1.85	49	735	29.15	18	1.95	56	643	25.51	18	2.20	63	579	22.98	19	2.50	71	508	20.16	19	2.80	48	761	30.21	10	1.00	GK79 GKF79 GKA79 GKAF79	4P	53			687			27.27			10	1.10	60	605	23.99	11	1.25	64	571	22.66	11	1.30	75	486	19.29	12	1.45	82	442	17.53	12	1.55	95	383	15.19	12	1.70	109	333	13.22	12	1.90	115	315	12.48	12	1.60	135	268	10.63	12	1.75	149	243	9.66
1.7	20422	853	105	0.85	GK159R99 GKF159R99 GKA159R99 GKAF159R99	4P	13	2833	112.41	62	2.70					1.9	18100	756	106	1.00			2.5	13575	567			108	1.30	2.9	12066	504	109	1.45	3.3	10391	434	109	1.70	2.7	12904	539	75	1.00	GK129R89 GKF129R89 GKA129R89 GKAF129R89	4P	14	2539	100.75	62	3.00			3.0	11396	476	76	1.15			3.4	10055	420			77	1.30	3.9			8810	368	77			1.45			4.4	7925	331	77	1.65	5.0	6871	287	78	1.90	5.7	6081	254	78	2.15	2.4	14604	610	72	0.90	GK129R79 GKF129R79 GKA129R79 GKAF129R79	4P	16	2292	90.96	62	3.30			2.6	13144	549	75	1.00			3.0			11420	477	76	1.15	3.4	10031	419	76	1.30	4.0	8715	364	62	0.90	GK109R79 GKF109R79 GKA109R79 GKAF109R79	4P	17	2082	82.61	62	3.60			4.5	7613	318	62	1.05			5.0			6847					286							62	1.15	5.7	6009	251	62	1.35	6.5	5315	222	62	1.50	7.3	4692	196	62	1.70	8.3	4166	174	62	1.90	9.4	3687	154	62	2.15	10	3352	140	62	2.40	7.2	4764	199	38	0.90	GK99R59 GKF99R59 GKA99R59 GKAF99R59	4P	18	1963	77.89	38	2.00	5.3	6862	136.14	78	1.80	GK129 GKF129 GKA129 GKAF129	8P	20	1778	70.54			38	2.30	5.9		6173	122.48		78	2.00	6.5	5553	110.18	78	2.20	6.6	5146	146.07	78	2.20	GK129 GKF129 GKA129 GKAF129	6P	12	2919	115.82			25	0.85	7.1	4630	136.14	78	2.40	7.8	4165	122.48	78	2.70	8.7	4249	110.18	78	3.00	6.4	5666	112.41	62	1.35	GK109 GKF109 GKA109 GKAF109	8P	14	2588	102.71			26	1.00	7.1					5078	100.75	62	1.50	7.9	4585	90.96	62	1.65	8.7	4164	82.61	62	1.85	6.7	5423	143.47	62	1.40	GK99 GKF99 GKA99 GKAF99	4P	17	2176	86.34			26	1.15	7.9	4591	121.46			62	1.65									8.5	4249	112.41	62	1.80	9.5	3809	100.75	62	2.00	11	3438	90.96	62	2.20	9.4	3687	154	62	2.15	10	3352	140	62	2.40	22	1625	64.49			13	0.90	GK89 GKF89 GKA89 GKAF89	4P			22	1776	70.46	27	1.40					25			1464			58.10			14	1.00	28	1285	50.97	16	1.15	32	1134	44.98	17	1.30	36	1005	39.88	17	1.45	38	963	38.23	17	1.45	41	883	35.05	18	1.65	47	775	30.76	18	1.85	49	735	29.15	18	1.95	56	643	25.51	18	2.20	63	579	22.98	19	2.50	71	508	20.16	19	2.80	48	761	30.21	10	1.00	GK79 GKF79 GKA79 GKAF79	4P	53	687	27.27			10	1.10	60	605			23.99			11	1.25	64	571	22.66	11	1.30	75	486	19.29	12	1.45	82	442	17.53	12	1.55	95	383	15.19	12	1.70	109	333	13.22	12	1.90	115	315	12.48	12	1.60	135	268	10.63	12	1.75	149	243	9.66	12	1.85	172	211	8.37
1.9	18100	756	106	1.00			2.5	13575	567	108	1.30	2.9	12066			504	109	1.45	3.3	10391			434	109	1.70	2.7	12904	539	75	1.00	GK129R89 GKF129R89 GKA129R89 GKAF129R89	4P	14	2539	100.75	62	3.00	3.0	11396	476	76	1.15	3.4	10055			420	77	1.30	3.9	8810			368	77	1.45	4.4	7925			331	77	1.65			5.0	6871	287			78	1.90	5.7			6081	254	78	2.15	2.4	14604	610	72	0.90	GK129R79 GKF129R79 GKA129R79 GKAF129R79	4P	16	2292	90.96	62	3.30	2.6	13144	549	75	1.00	3.0	11420			477	76	1.15	3.4	10031			419	76	1.30	4.0	8715			364	62	0.90	GK109R79 GKF109R79 GKA109R79 GKAF109R79	4P	17	2082	82.61	62	3.60	4.5	7613	318	62	1.05	5.0	6847			286	62	1.15	5.7	6009			251	62	1.35	6.5	5315			222			62					1.50							7.3	4692	196	62	1.70	8.3	4166	174	62	1.90	9.4	3687	154	62	2.15	10	3352	140	62	2.40	7.2	4764	199	38	0.90	GK99R59 GKF99R59 GKA99R59 GKAF99R59	4P	18	1963	77.89	38	2.00	5.3	6862	136.14	78	1.80	GK129 GKF129 GKA129 GKAF129	8P	20	1778	70.54	38	2.30	5.9	6173	122.48	78	2.00			6.5	5553	110.18			78	2.20	6.6	5146	146.07	78	2.20	GK129 GKF129 GKA129 GKAF129	6P	12	2919	115.82	25	0.85	7.1	4630	136.14	78	2.40			7.8	4165	122.48	78	2.70	8.7	4249	110.18	78	3.00	6.4	5666	112.41	62	1.35	GK109 GKF109 GKA109 GKAF109	8P	14	2588	102.71	26	1.00	7.1	5078	100.75	62	1.50			7.9	4585	90.96			62	1.65	8.7		4164	82.61		62	1.85	6.7	5423	143.47	62	1.40	GK99 GKF99 GKA99 GKAF99	4P	17	2176	86.34	26	1.15	7.9	4591	121.46	62	1.65			8.5	4249	112.41			62	1.80	9.5	3809	100.75	62	2.00	11	3438									90.96	62	2.20	9.4	3687	154	62	2.15	10	3352	140	62	2.40	22	1625	64.49	13	0.90	GK89 GKF89 GKA89 GKAF89	4P	22	1776	70.46	27	1.40	25	1464	58.10	14	1.00	28	1285					50.97	16	1.15	32	1134					44.98			17			1.30			36	1005	39.88	17	1.45	38	963	38.23	17	1.45	41	883	35.05	18	1.65	47	775	30.76	18	1.85	49	735	29.15	18	1.95	56	643	25.51	18	2.20	63	579	22.98	19	2.50	71	508	20.16	19	2.80	48	761	30.21	10	1.00	GK79 GKF79 GKA79 GKAF79	4P	53	687	27.27	10	1.10	60	605	23.99	11	1.25			64	571	22.66			11	1.30	75	486	19.29	12	1.45			82	442	17.53	12	1.55	95	383	15.19	12	1.70	109	333	13.22	12	1.90	115	315	12.48	12	1.60	135	268	10.63	12	1.75	149	243	9.66	12	1.85	172	211	8.37	12	1.95	198	183	7.28	11	2.10					
2.5	13575	567	108	1.30			2.9	12066	504	109	1.45	3.3	10391			434	109	1.70	2.7	12904	539	75	1.00	GK129R89 GKF129R89 GKA129R89 GKAF129R89	4P	14	2539	100.75	62	3.00			3.0	11396	476	76	1.15	3.4	10055	420	77	1.30	3.9	8810			368	77	1.45	4.4	7925			331	77	1.65	5.0	6871			287	78	1.90			5.7	6081	254			78	2.15	2.4	14604	610	72	0.90	GK129R79 GKF129R79 GKA129R79 GKAF129R79	4P	16	2292	90.96	62	3.30			2.6	13144	549	75	1.00	3.0	11420	477	76	1.15	3.4	10031			419	76	1.30	4.0	8715			364	62	0.90	GK109R79 GKF109R79 GKA109R79 GKAF109R79	4P	17	2082	82.61	62	3.60			4.5	7613	318	62	1.05	5.0	6847	286	62	1.15	5.7	6009			251	62	1.35	6.5	5315			222	62	1.50	7.3	4692			196			62					1.70	8.3	4166					174	62	1.90	9.4	3687	154	62	2.15	10	3352	140	62	2.40	7.2	4764	199	38	0.90	GK99R59 GKF99R59 GKA99R59 GKAF99R59	4P	18	1963	77.89	38	2.00	5.3	6862	136.14	78	1.80	GK129 GKF129 GKA129 GKAF129	8P	20	1778	70.54	38	2.30			5.9	6173	122.48	78	2.00	6.5	5553	110.18	78	2.20			6.6	5146	146.07	78	2.20	GK129 GKF129 GKA129 GKAF129	6P	12	2919	115.82	25	0.85			7.1	4630	136.14	78	2.40	7.8	4165	122.48	78	2.70	8.7	4249	110.18	78	3.00	6.4	5666	112.41	62	1.35	GK109 GKF109 GKA109 GKAF109	8P	14	2588	102.71	26	1.00			7.1	5078	100.75	62	1.50	7.9	4585	90.96	62	1.65			8.7	4164	82.61			62	1.85	6.7	5423	143.47	62	1.40	GK99 GKF99 GKA99 GKAF99	4P	17	2176	86.34	26	1.15			7.9	4591	121.46	62	1.65	8.5	4249	112.41	62	1.80			9.5	3809	100.75			62	2.00	11	3438	90.96	62	2.20	9.4	3687				154	62				2.15	10	3352	140	62	2.40	22	1625	64.49	13	0.90	GK89 GKF89 GKA89 GKAF89	4P	22	1776	70.46	27	1.40			25	1464	58.10	14	1.00	28	1285	50.97	16	1.15	32	1134			44.98	17	1.30	36	1005	39.88	17					1.45			38			963			38.23	17	1.45	41	883	35.05	18	1.65	47	775	30.76	18	1.85	49	735	29.15	18	1.95	56	643	25.51	18	2.20	63	579	22.98	19	2.50	71	508	20.16	19	2.80	48	761	30.21	10	1.00	GK79 GKF79 GKA79 GKAF79	4P	53	687	27.27	10	1.10			60	605	23.99	11	1.25	64	571	22.66	11	1.30			75	486	19.29			12	1.45	82	442	17.53	12	1.55	95	383	15.19	12	1.70	109	333	13.22	12	1.90	115	315	12.48	12	1.60	135	268	10.63	12	1.75	149	243	9.66	12	1.85	172	211	8.37	12	1.95	198	183	7.28	11	2.10												
2.9	12066	504	109	1.45			3.3	10391	434	109	1.70	2.7	12904	539	75	1.00	GK129R89 GKF129R89 GKA129R89 GKAF129R89	4P	14	2539	100.75	62	3.00			3.0	11396	476	76	1.15			3.4	10055	420	77	1.30	3.9	8810	368	77	1.45	4.4	7925			331	77	1.65	5.0	6871			287	78	1.90	5.7	6081			254	78	2.15			2.4	14604	610	72	0.90	GK129R79 GKF129R79 GKA129R79 GKAF129R79	4P	16	2292	90.96	62	3.30			2.6	13144	549	75	1.00			3.0	11420	477	76	1.15	3.4	10031	419	76	1.30	4.0	8715			364	62	0.90	GK109R79 GKF109R79 GKA109R79 GKAF109R79	4P	17	2082	82.61	62	3.60			4.5	7613	318	62	1.05			5.0	6847	286	62	1.15	5.7	6009	251	62	1.35	6.5	5315			222	62	1.50	7.3	4692			196	62	1.70	8.3	4166			174			62					1.90	9.4	3687		154	62		2.15	10	3352	140	62	2.40	7.2	4764	199	38	0.90	GK99R59 GKF99R59 GKA99R59 GKAF99R59	4P	18	1963	77.89	38	2.00	5.3	6862	136.14	78	1.80	GK129 GKF129 GKA129 GKAF129	8P	20	1778	70.54	38	2.30			5.9	6173	122.48	78	2.00			6.5	5553	110.18	78	2.20	6.6	5146	146.07	78	2.20	GK129 GKF129 GKA129 GKAF129	6P	12	2919	115.82	25	0.85			7.1	4630	136.14	78	2.40	7.8	4165	122.48	78	2.70	8.7	4249	110.18	78	3.00	6.4	5666	112.41	62	1.35	GK109 GKF109 GKA109 GKAF109	8P	14	2588	102.71	26	1.00			7.1	5078	100.75	62	1.50			7.9	4585	90.96	62	1.65	8.7	4164	82.61	62	1.85			6.7	5423	143.47	62	1.40	GK99 GKF99 GKA99 GKAF99	4P	17	2176	86.34	26	1.15			7.9	4591	121.46	62	1.65			8.5	4249	112.41	62	1.80	9.5	3809	100.75	62	2.00			11	3438	90.96			62	2.20	9.4	3687	154	62	2.15	10	3352			140	62	2.40	22			1625	64.49	13	0.90	GK89 GKF89 GKA89 GKAF89	4P	22	1776	70.46	27	1.40			25	1464	58.10	14	1.00			28	1285	50.97	16	1.15	32	1134	44.98	17	1.30	36	1005			39.88	17	1.45	38	963	38.23	17			1.45	41	883			35.05			18			1.65	47	775	30.76	18	1.85	49	735	29.15	18	1.95	56	643	25.51	18	2.20	63	579	22.98	19	2.50	71	508	20.16	19	2.80	48	761	30.21	10	1.00	GK79 GKF79 GKA79 GKAF79	4P	53	687	27.27	10	1.10			60	605	23.99	11	1.25			64	571	22.66	11	1.30	75	486	19.29	12	1.45			82	442	17.53	12	1.55	95	383	15.19	12	1.70	109	333	13.22	12	1.90	115	315	12.48	12	1.60	135	268	10.63	12	1.75	149	243	9.66	12	1.85	172	211	8.37	12	1.95	198	183	7.28	11	2.10																			
3.3	10391	434	109	1.70	2.7	12904	539	75	1.00	GK129R89 GKF129R89 GKA129R89 GKAF129R89	4P	14	2539	100.75	62	3.00			3.0	11396	476	76	1.15			3.4	10055	420	77	1.30			3.9	8810	368	77	1.45	4.4	7925	331	77	1.65	5.0	6871			287	78	1.90	5.7	6081			254	78	2.15	2.4	14604			610	72	0.90	GK129R79 GKF129R79 GKA129R79 GKAF129R79	4P	16	2292	90.96	62	3.30			2.6	13144	549	75	1.00			3.0	11420	477	76	1.15			3.4	10031	419	76	1.30	4.0	8715	364	62	0.90	GK109R79 GKF109R79 GKA109R79 GKAF109R79	4P	17	2082	82.61	62	3.60			4.5	7613	318	62	1.05			5.0	6847	286	62	1.15			5.7	6009	251	62	1.35	6.5	5315	222	62	1.50	7.3	4692			196	62	1.70	8.3	4166			174	62	1.90	9.4	3687			154			62			2.15	10	3352	140	62		2.40	7.2		4764	199	38	0.90	GK99R59 GKF99R59 GKA99R59 GKAF99R59	4P	18	1963	77.89	38	2.00	5.3	6862	136.14	78	1.80	GK129 GKF129 GKA129 GKAF129	8P	20	1778	70.54	38	2.30			5.9	6173	122.48	78	2.00			6.5	5553	110.18	78	2.20	6.6	5146	146.07	78	2.20	GK129 GKF129 GKA129 GKAF129	6P	12	2919	115.82	25	0.85			7.1	4630	136.14	78	2.40	7.8	4165	122.48	78	2.70	8.7	4249	110.18	78	3.00	6.4	5666	112.41	62	1.35	GK109 GKF109 GKA109 GKAF109	8P	14	2588	102.71	26	1.00			7.1	5078	100.75	62	1.50			7.9	4585	90.96	62	1.65			8.7	4164	82.61	62	1.85	6.7	5423	143.47	62	1.40	GK99 GKF99 GKA99 GKAF99	4P	17	2176	86.34	26	1.15			7.9	4591	121.46	62	1.65			8.5	4249	112.41	62	1.80			9.5	3809	100.75	62	2.00	11	3438	90.96	62	2.20			9.4	3687	154			62	2.15	10	3352	140	62	2.40	22	1625		64.49	13	0.90	GK89 GKF89 GKA89 GKAF89	4P	22		1776	70.46	27	1.40			25	1464	58.10	14	1.00			28	1285	50.97	16	1.15			32	1134	44.98	17	1.30	36	1005	39.88	17	1.45	38	963			38.23	17	1.45	41	883	35.05	18			1.65	47	775	30.76	18	1.85			49			735	29.15	18	1.95	56	643	25.51	18	2.20	63	579	22.98	19	2.50	71	508	20.16	19	2.80	48	761	30.21	10	1.00	GK79 GKF79 GKA79 GKAF79	4P	53	687	27.27	10	1.10			60	605	23.99	11	1.25			64	571	22.66	11	1.30			75	486	19.29	12	1.45	82	442	17.53	12	1.55	95	383	15.19	12	1.70	109	333	13.22	12	1.90	115	315	12.48	12	1.60	135	268	10.63	12	1.75	149	243	9.66	12	1.85	172	211	8.37	12	1.95	198	183	7.28	11	2.10																										
2.7	12904	539	75	1.00	GK129R89 GKF129R89 GKA129R89 GKAF129R89	4P	14	2539	100.75			62	3.00	3.0	11396	476			76	1.15	3.4	10055	420			77	1.30	3.9	8810	368			77	1.45	4.4	7925	331	77	1.65	5.0	6871	287	78	1.90			5.7	6081	254	78	2.15			2.4	14604	610	72	0.90	GK129R79 GKF129R79 GKA129R79 GKAF129R79	4P	16	2292	90.96			62	3.30	2.6	13144	549			75	1.00	3.0	11420	477			76	1.15	3.4	10031	419	76	1.30	4.0	8715	364	62	0.90	GK109R79 GKF109R79 GKA109R79 GKAF109R79	4P	17	2082	82.61			62	3.60	4.5	7613	318			62	1.05	5.0	6847	286			62	1.15	5.7	6009	251			62	1.35	6.5	5315	222	62	1.50	7.3	4692	196	62	1.70			8.3	4166	174	62	1.90			9.4	3687	154	62	2.15			10			3352			140	62	2.40	7.2	4764	199	38	0.90	GK99R59 GKF99R59 GKA99R59 GKAF99R59	4P	18	1963	77.89	38	2.00	5.3	6862	136.14	78	1.80	GK129 GKF129 GKA129 GKAF129	8P	20	1778	70.54			38	2.30	5.9	6173	122.48			78	2.00	6.5	5553	110.18	78	2.20	6.6	5146	146.07	78	2.20	GK129 GKF129 GKA129 GKAF129	6P	12	2919	115.82			25	0.85	7.1	4630	136.14	78	2.40	7.8	4165	122.48	78	2.70	8.7	4249	110.18	78	3.00	6.4	5666	112.41	62	1.35	GK109 GKF109 GKA109 GKAF109	8P	14	2588	102.71			26	1.00	7.1	5078	100.75			62	1.50	7.9	4585	90.96			62	1.65	8.7	4164	82.61	62	1.85	6.7	5423	143.47	62	1.40	GK99 GKF99 GKA99 GKAF99	4P	17	2176	86.34			26	1.15	7.9	4591	121.46			62	1.65	8.5	4249	112.41			62	1.80	9.5	3809	100.75			62	2.00	11	3438	90.96	62	2.20	9.4	3687	154			62	2.15	10			3352	140	62	2.40	22	1625	64.49	13	0.90	GK89 GKF89 GKA89 GKAF89	4P	22	1776			70.46	27	1.40	25	1464	58.10			14	1.00	28	1285	50.97			16	1.15	32	1134	44.98			17	1.30	36	1005	39.88	17	1.45	38	963	38.23	17	1.45			41	883	35.05	18	1.65	47	775			30.76	18	1.85	49	735	29.15	18	1.95	56			643	25.51	18	2.20	63	579	22.98	19	2.50	71	508	20.16	19	2.80	48	761	30.21	10	1.00	GK79 GKF79 GKA79 GKAF79	4P	53	687	27.27			10	1.10	60	605	23.99			11	1.25	64	571	22.66			11	1.30	75	486	19.29	12	1.45	82	442	17.53	12	1.55	95	383	15.19	12	1.70	109	333	13.22	12	1.90	115	315	12.48	12	1.60	135	268	10.63	12	1.75	149	243	9.66	12	1.85	172	211	8.37	12	1.95	198	183	7.28	11	2.10																															
3.0	11396	476	76	1.15			3.4	10055	420			77	1.30	3.9	8810	368			77	1.45	4.4	7925	331			77	1.65	5.0	6871	287			78	1.90	5.7	6081	254	78	2.15	2.4	14604	610	72	0.90			GK129R79 GKF129R79 GKA129R79 GKAF129R79	4P	16	2292	90.96	62	3.30	2.6	13144	549	75	1.00			3.0	11420	477			76	1.15	3.4	10031	419			76	1.30	4.0	8715	364	62	0.90	GK109R79 GKF109R79 GKA109R79 GKAF109R79	4P	17	2082	82.61	62	3.60	4.5	7613	318	62	1.05			5.0	6847	286			62	1.15	5.7	6009	251			62	1.35	6.5	5315	222			62	1.50	7.3	4692	196			62	1.70	8.3	4166	174	62	1.90	9.4	3687	154	62	2.15			10	3352	140	62	2.40			7.2	4764	199	38	0.90			GK99R59 GKF99R59 GKA99R59 GKAF99R59			4P	18	1963	77.89	38	2.00	5.3	6862	136.14	78	1.80	GK129 GKF129 GKA129 GKAF129	8P	20	1778	70.54	38	2.30	5.9	6173	122.48	78	2.00			6.5	5553	110.18			78	2.20	6.6	5146	146.07	78	2.20	GK129 GKF129 GKA129 GKAF129	6P	12	2919	115.82	25	0.85	7.1	4630	136.14	78	2.40			7.8	4165	122.48	78	2.70	8.7	4249	110.18	78	3.00	6.4	5666	112.41	62	1.35	GK109 GKF109 GKA109 GKAF109	8P	14	2588	102.71	26	1.00	7.1	5078	100.75	62	1.50			7.9	4585	90.96			62	1.65	8.7	4164	82.61			62	1.85	6.7	5423	143.47	62	1.40	GK99 GKF99 GKA99 GKAF99	4P	17	2176	86.34	26	1.15	7.9	4591	121.46	62	1.65			8.5	4249	112.41			62	1.80	9.5	3809	100.75			62	2.00	11	3438	90.96			62	2.20	9.4	3687	154			62	2.15	10	3352	140	62	2.40	22	1625	64.49			13	0.90	GK89 GKF89 GKA89 GKAF89	4P	22	1776	70.46	27	1.40	25	1464	58.10	14	1.00			28	1285			50.97	16	1.15	32	1134	44.98			17	1.30	36	1005	39.88			17	1.45	38	963	38.23			17	1.45	41	883	35.05	18	1.65	47	775	30.76	18	1.85			49	735	29.15	18	1.95	56	643			25.51	18	2.20	63	579	22.98	19	2.50	71	508	20.16	19	2.80	48	761	30.21	10	1.00	GK79 GKF79 GKA79 GKAF79	4P	53	687	27.27	10	1.10	60	605	23.99	11	1.25			64	571	22.66			11	1.30	75	486	19.29			12	1.45	82	442	17.53	12	1.55	95	383	15.19	12	1.70	109	333	13.22	12	1.90	115	315	12.48	12	1.60	135	268	10.63	12	1.75	149	243	9.66	12	1.85	172	211	8.37	12	1.95	198	183	7.28	11	2.10																																											
3.4	10055	420	77	1.30			3.9	8810	368			77	1.45	4.4	7925	331			77	1.65	5.0	6871	287			78	1.90	5.7	6081	254			78	2.15	2.4	14604	610	72	0.90	GK129R79 GKF129R79 GKA129R79 GKAF129R79	4P	16	2292	90.96	62	3.30			2.6	13144	549	75	1.00	3.0	11420	477	76	1.15			3.4	10031	419			76	1.30	4.0	8715	364	62	0.90	GK109R79 GKF109R79 GKA109R79 GKAF109R79	4P	17	2082	82.61	62	3.60			4.5	7613	318	62	1.05	5.0	6847	286	62	1.15			5.7	6009	251			62	1.35	6.5	5315	222			62	1.50	7.3	4692	196			62	1.70	8.3	4166	174			62	1.90	9.4	3687	154	62	2.15	10	3352	140	62	2.40			7.2	4764	199	38	0.90			GK99R59 GKF99R59 GKA99R59 GKAF99R59	4P	18	1963	77.89			38	2.00	5.3	6862	136.14	78	1.80	GK129 GKF129 GKA129 GKAF129	8P	20	1778	70.54	38	2.30			5.9	6173	122.48	78	2.00	6.5	5553	110.18	78	2.20			6.6	5146	146.07	78	2.20	GK129 GKF129 GKA129 GKAF129	6P	12	2919	115.82	25	0.85			7.1	4630	136.14	78	2.40	7.8	4165	122.48	78	2.70	8.7	4249	110.18	78	3.00	6.4	5666	112.41	62	1.35	GK109 GKF109 GKA109 GKAF109	8P	14	2588	102.71	26	1.00			7.1	5078	100.75	62	1.50	7.9	4585	90.96	62	1.65			8.7	4164	82.61			62	1.85	6.7	5423	143.47	62	1.40	GK99 GKF99 GKA99 GKAF99	4P	17	2176	86.34	26	1.15			7.9	4591	121.46	62	1.65	8.5	4249	112.41	62	1.80			9.5	3809	100.75			62	2.00	11	3438	90.96			62	2.20	9.4	3687	154			62	2.15	10	3352	140			62	2.40	22	1625	64.49	13	0.90	GK89 GKF89 GKA89 GKAF89	4P	22	1776	70.46	27	1.40			25	1464	58.10	14	1.00	28	1285	50.97	16	1.15			32	1134			44.98	17	1.30	36	1005	39.88			17	1.45	38	963	38.23			17	1.45	41	883	35.05			18	1.65	47	775	30.76	18	1.85	49	735	29.15	18	1.95			56	643	25.51	18	2.20	63	579	22.98	19	2.50	71	508	20.16	19	2.80	48	761	30.21	10	1.00	GK79 GKF79 GKA79 GKAF79	4P	53	687	27.27	10	1.10			60	605	23.99	11	1.25	64	571	22.66	11	1.30			75	486	19.29			12	1.45	82	442	17.53	12	1.55	95	383	15.19	12	1.70	109	333	13.22	12	1.90	115	315	12.48	12	1.60	135	268	10.63	12	1.75	149	243	9.66	12	1.85	172	211	8.37	12	1.95	198	183	7.28	11	2.10																																																		
3.9	8810	368	77	1.45			4.4	7925	331			77	1.65	5.0	6871	287			78	1.90	5.7	6081	254			78	2.15	2.4	14604	610	72	0.90	GK129R79 GKF129R79 GKA129R79 GKAF129R79	4P	16	2292	90.96	62	3.30			2.6	13144	549	75	1.00			3.0	11420	477	76	1.15	3.4	10031	419	76	1.30			4.0	8715	364	62	0.90	GK109R79 GKF109R79 GKA109R79 GKAF109R79	4P	17	2082	82.61	62	3.60			4.5	7613	318	62	1.05			5.0	6847	286	62	1.15	5.7	6009	251	62	1.35			6.5	5315	222			62	1.50	7.3	4692	196			62	1.70	8.3	4166	174			62	1.90	9.4	3687	154			62	2.15	10	3352	140	62	2.40	7.2	4764	199	38	0.90			GK99R59 GKF99R59 GKA99R59 GKAF99R59	4P	18	1963	77.89			38	2.00	5.3	6862	136.14	78	1.80	GK129 GKF129 GKA129 GKAF129	8P	20	1778	70.54	38	2.30			5.9	6173	122.48	78	2.00			6.5	5553	110.18	78	2.20	6.6	5146	146.07	78	2.20	GK129 GKF129 GKA129 GKAF129	6P	12	2919	115.82	25	0.85			7.1	4630	136.14	78	2.40	7.8	4165	122.48	78	2.70	8.7	4249	110.18	78	3.00	6.4	5666	112.41	62	1.35	GK109 GKF109 GKA109 GKAF109	8P	14	2588	102.71	26	1.00			7.1	5078	100.75	62	1.50			7.9	4585	90.96	62	1.65	8.7	4164	82.61	62	1.85			6.7	5423	143.47	62	1.40	GK99 GKF99 GKA99 GKAF99	4P	17	2176	86.34	26	1.15			7.9	4591	121.46	62	1.65			8.5	4249	112.41	62	1.80	9.5	3809	100.75	62	2.00			11	3438	90.96			62	2.20	9.4	3687	154			62	2.15	10	3352	140			62	2.40	22	1625	64.49	13	0.90	GK89 GKF89 GKA89 GKAF89	4P	22	1776	70.46	27	1.40			25	1464	58.10	14	1.00			28	1285	50.97	16	1.15	32	1134	44.98	17	1.30			36	1005			39.88	17	1.45	38	963	38.23			17	1.45	41	883	35.05			18	1.65	47	775	30.76			18	1.85	49	735	29.15	18	1.95	56	643	25.51	18	2.20	63	579	22.98	19	2.50	71	508	20.16	19	2.80	48	761	30.21	10	1.00	GK79 GKF79 GKA79 GKAF79	4P	53	687	27.27	10	1.10			60	605	23.99	11	1.25			64	571	22.66	11	1.30	75	486	19.29	12	1.45			82	442	17.53	12	1.55	95	383	15.19	12	1.70	109	333	13.22	12	1.90	115	315	12.48	12	1.60	135	268	10.63	12	1.75	149	243	9.66	12	1.85	172	211	8.37	12	1.95	198	183	7.28	11	2.10																																																									
4.4	7925	331	77	1.65			5.0	6871	287			78	1.90	5.7	6081	254			78	2.15	2.4	14604	610	72	0.90	GK129R79 GKF129R79 GKA129R79 GKAF129R79	4P	16	2292	90.96	62	3.30			2.6	13144	549	75	1.00			3.0	11420	477	76	1.15			3.4	10031	419	76	1.30	4.0	8715	364	62	0.90	GK109R79 GKF109R79 GKA109R79 GKAF109R79	4P	17	2082	82.61	62	3.60			4.5	7613	318	62	1.05			5.0	6847	286	62	1.15			5.7	6009	251	62	1.35	6.5	5315	222	62	1.50			7.3	4692	196			62	1.70	8.3	4166	174			62	1.90	9.4	3687	154			62	2.15	10	3352	140			62	2.40	7.2	4764	199	38	0.90	GK99R59 GKF99R59 GKA99R59 GKAF99R59	4P	18	1963	77.89			38	2.00	5.3	6862	136.14	78	1.80	GK129 GKF129 GKA129 GKAF129	8P	20	1778	70.54	38	2.30			5.9	6173	122.48	78	2.00			6.5	5553	110.18	78	2.20	6.6	5146	146.07	78	2.20	GK129 GKF129 GKA129 GKAF129	6P	12	2919	115.82	25	0.85			7.1	4630	136.14	78	2.40	7.8	4165	122.48	78	2.70	8.7	4249	110.18	78	3.00	6.4	5666	112.41	62	1.35	GK109 GKF109 GKA109 GKAF109	8P	14	2588	102.71	26	1.00			7.1	5078	100.75	62	1.50			7.9	4585	90.96	62	1.65			8.7	4164	82.61	62	1.85	6.7	5423	143.47	62	1.40	GK99 GKF99 GKA99 GKAF99	4P	17	2176	86.34	26	1.15			7.9	4591	121.46	62	1.65			8.5	4249	112.41	62	1.80			9.5	3809	100.75	62	2.00	11	3438	90.96	62	2.20			9.4	3687	154			62	2.15	10	3352	140			62	2.40	22	1625	64.49	13	0.90	GK89 GKF89 GKA89 GKAF89	4P	22	1776	70.46	27	1.40			25	1464	58.10	14	1.00			28	1285	50.97	16	1.15			32	1134	44.98	17	1.30	36	1005	39.88	17	1.45			38	963			38.23	17	1.45	41	883	35.05			18	1.65	47	775	30.76			18	1.85	49	735	29.15	18	1.95	56	643	25.51	18	2.20	63	579	22.98	19	2.50	71	508	20.16	19	2.80	48	761	30.21	10	1.00	GK79 GKF79 GKA79 GKAF79	4P	53	687	27.27	10	1.10			60	605	23.99	11	1.25			64	571	22.66	11	1.30			75	486	19.29	12	1.45	82	442	17.53	12	1.55	95	383	15.19	12	1.70	109	333	13.22	12	1.90	115	315	12.48	12	1.60	135	268	10.63	12	1.75	149	243	9.66	12	1.85	172	211	8.37	12	1.95	198	183	7.28	11	2.10																																																																
5.0	6871	287	78	1.90			5.7	6081	254			78	2.15	2.4	14604	610	72	0.90	GK129R79 GKF129R79 GKA129R79 GKAF129R79	4P	16	2292	90.96	62	3.30			2.6	13144	549	75	1.00			3.0	11420	477	76	1.15			3.4	10031	419	76	1.30	4.0	8715	364	62	0.90	GK109R79 GKF109R79 GKA109R79 GKAF109R79	4P	17	2082	82.61	62	3.60			4.5	7613	318	62	1.05			5.0	6847	286	62	1.15			5.7	6009	251	62	1.35			6.5	5315	222	62	1.50	7.3	4692	196	62	1.70			8.3	4166	174			62	1.90	9.4	3687	154			62	2.15	10	3352	140			62	2.40	7.2	4764	199			38	0.90	GK99R59 GKF99R59 GKA99R59 GKAF99R59	4P	18	1963	77.89	38	2.00	5.3	6862	136.14	78	1.80	GK129 GKF129 GKA129 GKAF129	8P	20	1778	70.54	38	2.30			5.9	6173	122.48	78	2.00			6.5	5553	110.18	78	2.20	6.6	5146	146.07	78	2.20	GK129 GKF129 GKA129 GKAF129	6P	12	2919	115.82	25	0.85			7.1	4630	136.14	78	2.40	7.8	4165	122.48	78	2.70	8.7	4249	110.18	78	3.00	6.4	5666	112.41	62	1.35	GK109 GKF109 GKA109 GKAF109	8P	14	2588	102.71	26	1.00			7.1	5078	100.75	62	1.50			7.9	4585	90.96	62	1.65			8.7	4164	82.61	62	1.85	6.7	5423	143.47	62	1.40	GK99 GKF99 GKA99 GKAF99	4P	17	2176	86.34	26	1.15			7.9	4591	121.46	62	1.65			8.5	4249	112.41	62	1.80			9.5	3809	100.75	62	2.00			11	3438	90.96	62	2.20	9.4	3687	154	62	2.15			10	3352	140			62	2.40	22	1625	64.49	13	0.90	GK89 GKF89 GKA89 GKAF89	4P	22	1776	70.46	27	1.40			25	1464	58.10	14	1.00			28	1285	50.97	16	1.15			32	1134	44.98	17	1.30			36	1005	39.88	17	1.45	38	963	38.23	17	1.45			41	883			35.05	18	1.65	47	775	30.76			18	1.85	49	735	29.15	18	1.95	56	643	25.51	18	2.20	63	579	22.98	19	2.50	71	508	20.16	19	2.80	48	761	30.21	10	1.00	GK79 GKF79 GKA79 GKAF79	4P	53	687	27.27	10	1.10			60	605	23.99	11	1.25			64	571	22.66	11	1.30			75	486	19.29	12	1.45	82	442	17.53	12	1.55	95	383	15.19	12	1.70	109	333	13.22	12	1.90	115	315	12.48	12	1.60	135	268	10.63	12	1.75	149	243	9.66	12	1.85	172	211	8.37	12	1.95	198	183	7.28	11	2.10																																																																							
5.7	6081	254	78	2.15			2.4	14604	610	72	0.90	GK129R79 GKF129R79 GKA129R79 GKAF129R79	4P	16	2292	90.96	62	3.30			2.6	13144	549	75	1.00			3.0	11420	477	76	1.15			3.4	10031	419	76	1.30	4.0	8715	364	62	0.90	GK109R79 GKF109R79 GKA109R79 GKAF109R79	4P	17	2082	82.61	62	3.60			4.5	7613	318	62	1.05			5.0	6847	286	62	1.15			5.7	6009	251	62	1.35			6.5	5315	222	62	1.50			7.3	4692	196	62	1.70	8.3	4166	174	62	1.90			9.4	3687	154			62	2.15	10	3352	140			62	2.40	7.2	4764	199			38	0.90	GK99R59 GKF99R59 GKA99R59 GKAF99R59	4P	18	1963	77.89	38	2.00	5.3	6862	136.14	78	1.80	GK129 GKF129 GKA129 GKAF129	8P	20	1778	70.54	38	2.30			5.9	6173	122.48	78	2.00			6.5	5553	110.18	78	2.20	6.6	5146	146.07	78	2.20	GK129 GKF129 GKA129 GKAF129	6P	12	2919	115.82	25	0.85			7.1	4630	136.14	78	2.40	7.8	4165	122.48	78	2.70	8.7	4249	110.18	78	3.00	6.4	5666	112.41	62	1.35	GK109 GKF109 GKA109 GKAF109	8P	14	2588	102.71	26	1.00			7.1	5078	100.75	62	1.50			7.9	4585	90.96	62	1.65			8.7	4164	82.61	62	1.85	6.7	5423	143.47	62	1.40	GK99 GKF99 GKA99 GKAF99	4P	17	2176	86.34	26	1.15			7.9	4591	121.46	62	1.65			8.5	4249	112.41	62	1.80			9.5	3809	100.75	62	2.00			11	3438	90.96	62	2.20			9.4	3687	154	62	2.15	10	3352	140	62	2.40			22	1625	64.49	13	0.90	GK89 GKF89 GKA89 GKAF89	4P	22	1776	70.46	27	1.40			25	1464	58.10	14	1.00			28	1285	50.97	16	1.15			32	1134	44.98	17	1.30			36	1005	39.88	17	1.45			38	963	38.23	17	1.45	41	883	35.05	18	1.65			47	775			30.76	18	1.85	49	735	29.15	18	1.95	56	643	25.51	18	2.20	63	579	22.98	19	2.50	71	508	20.16	19	2.80	48	761	30.21	10	1.00	GK79 GKF79 GKA79 GKAF79	4P	53	687	27.27	10	1.10			60	605	23.99	11	1.25			64	571	22.66	11	1.30			75	486	19.29	12	1.45	82	442	17.53	12	1.55	95	383	15.19	12	1.70	109	333	13.22	12	1.90	115	315	12.48	12	1.60	135	268	10.63	12	1.75	149	243	9.66	12	1.85	172	211	8.37	12	1.95	198	183	7.28	11	2.10																																																																														
2.4	14604	610	72	0.90	GK129R79 GKF129R79 GKA129R79 GKAF129R79	4P	16	2292	90.96	62	3.30			2.6	13144	549	75	1.00			3.0	11420	477	76	1.15			3.4	10031	419	76	1.30	4.0	8715	364	62	0.90	GK109R79 GKF109R79 GKA109R79 GKAF109R79	4P	17	2082	82.61	62	3.60			4.5	7613	318	62	1.05			5.0	6847	286	62	1.15			5.7	6009	251	62	1.35			6.5	5315	222	62	1.50			7.3	4692	196	62	1.70			8.3	4166	174	62	1.90	9.4	3687	154	62	2.15			10	3352	140			62	2.40	7.2	4764	199			38	0.90	GK99R59 GKF99R59 GKA99R59 GKAF99R59	4P	18	1963	77.89	38	2.00	5.3	6862	136.14	78	1.80	GK129 GKF129 GKA129 GKAF129	8P	20	1778	70.54	38	2.30			5.9	6173	122.48	78	2.00			6.5	5553	110.18	78	2.20	6.6	5146	146.07	78	2.20	GK129 GKF129 GKA129 GKAF129	6P	12	2919	115.82	25	0.85			7.1	4630	136.14	78	2.40	7.8	4165	122.48	78	2.70	8.7	4249	110.18	78	3.00	6.4	5666	112.41	62	1.35	GK109 GKF109 GKA109 GKAF109	8P	14	2588	102.71	26	1.00			7.1	5078	100.75	62	1.50			7.9	4585	90.96	62	1.65			8.7	4164	82.61	62	1.85	6.7	5423	143.47	62	1.40	GK99 GKF99 GKA99 GKAF99	4P	17	2176	86.34	26	1.15			7.9	4591	121.46	62	1.65			8.5	4249	112.41	62	1.80			9.5	3809	100.75	62	2.00			11	3438	90.96	62	2.20			9.4	3687	154	62	2.15			10	3352	140	62	2.40	22	1625	64.49	13	0.90	GK89 GKF89 GKA89 GKAF89	4P	22	1776	70.46	27	1.40			25	1464	58.10	14	1.00			28	1285	50.97	16	1.15			32	1134	44.98	17	1.30			36	1005	39.88	17	1.45			38	963	38.23	17	1.45			41	883	35.05	18	1.65	47	775	30.76	18	1.85			49	735	29.15	18	1.95	56	643	25.51	18	2.20	63	579	22.98	19	2.50	71	508	20.16	19	2.80	48	761	30.21	10	1.00	GK79 GKF79 GKA79 GKAF79	4P	53	687	27.27	10	1.10			60	605	23.99	11	1.25			64	571	22.66	11	1.30			75	486	19.29	12	1.45	82	442	17.53	12	1.55	95	383	15.19	12	1.70	109	333	13.22	12	1.90	115	315	12.48	12	1.60	135	268	10.63	12	1.75	149	243	9.66	12	1.85	172	211	8.37	12	1.95	198	183	7.28	11	2.10																																																																																					
2.6	13144	549	75	1.00			3.0	11420	477	76	1.15			3.4	10031	419	76	1.30			4.0	8715	364	62	0.90	GK109R79 GKF109R79 GKA109R79 GKAF109R79	4P	17	2082	82.61	62	3.60	4.5	7613	318	62	1.05			5.0	6847	286	62	1.15			5.7	6009	251	62	1.35			6.5	5315	222	62	1.50			7.3	4692	196	62	1.70			8.3	4166	174	62	1.90			9.4	3687	154	62	2.15			10	3352	140	62	2.40	7.2	4764	199	38	0.90			GK99R59 GKF99R59 GKA99R59 GKAF99R59	4P	18			1963	77.89	38	2.00	5.3	6862	136.14	78	1.80	GK129 GKF129 GKA129 GKAF129	8P	20	1778	70.54	38	2.30	5.9	6173	122.48	78	2.00			6.5	5553	110.18	78	2.20			6.6	5146	146.07	78	2.20	GK129 GKF129 GKA129 GKAF129	6P	12	2919	115.82	25	0.85	7.1	4630	136.14	78	2.40			7.8	4165	122.48	78	2.70	8.7	4249	110.18	78	3.00	6.4	5666	112.41	62	1.35	GK109 GKF109 GKA109 GKAF109	8P	14	2588	102.71	26	1.00	7.1	5078	100.75	62	1.50			7.9	4585	90.96	62	1.65			8.7	4164	82.61	62	1.85			6.7	5423	143.47	62	1.40	GK99 GKF99 GKA99 GKAF99	4P	17	2176	86.34	26	1.15	7.9	4591	121.46	62	1.65			8.5	4249	112.41	62	1.80			9.5	3809	100.75	62	2.00			11	3438	90.96	62	2.20			9.4	3687	154	62	2.15			10	3352	140	62	2.40			22	1625	64.49	13	0.90	GK89 GKF89 GKA89 GKAF89	4P	22	1776	70.46	27	1.40	25	1464	58.10	14	1.00			28	1285	50.97	16	1.15			32	1134	44.98	17	1.30			36	1005	39.88	17	1.45			38	963	38.23	17	1.45			41	883	35.05	18	1.65			47	775	30.76	18	1.85			49	735	29.15	18	1.95	56	643	25.51	18	2.20	63	579	22.98	19	2.50	71	508	20.16	19	2.80	48	761	30.21	10	1.00	GK79 GKF79 GKA79 GKAF79	4P	53	687	27.27	10	1.10	60	605	23.99	11	1.25			64	571	22.66	11	1.30			75	486	19.29	12	1.45			82	442	17.53	12	1.55	95	383	15.19	12	1.70	109	333	13.22	12	1.90	115	315	12.48	12	1.60	135	268	10.63	12	1.75	149	243	9.66	12	1.85	172	211	8.37	12	1.95	198	183	7.28	11	2.10																																																																																																	
3.0	11420	477	76	1.15			3.4	10031	419	76	1.30			4.0	8715	364	62	0.90	GK109R79 GKF109R79 GKA109R79 GKAF109R79	4P	17	2082	82.61	62	3.60			4.5	7613	318	62	1.05	5.0	6847	286	62	1.15			5.7	6009	251	62	1.35			6.5	5315	222	62	1.50			7.3	4692	196	62	1.70			8.3	4166	174	62	1.90			9.4	3687	154	62	2.15			10	3352	140	62	2.40			7.2	4764	199	38	0.90	GK99R59 GKF99R59 GKA99R59 GKAF99R59	4P	18	1963	77.89			38	2.00	5.3	6862	136.14	78	1.80	GK129 GKF129 GKA129 GKAF129	8P	20	1778	70.54	38	2.30			5.9	6173	122.48	78	2.00	6.5	5553	110.18	78	2.20			6.6	5146	146.07	78	2.20	GK129 GKF129 GKA129 GKAF129	6P	12	2919	115.82	25	0.85			7.1	4630	136.14	78	2.40	7.8	4165	122.48	78	2.70	8.7	4249	110.18	78	3.00	6.4	5666	112.41	62	1.35	GK109 GKF109 GKA109 GKAF109	8P	14	2588	102.71	26	1.00			7.1	5078	100.75	62	1.50	7.9	4585	90.96	62	1.65			8.7	4164	82.61	62	1.85			6.7	5423	143.47	62	1.40	GK99 GKF99 GKA99 GKAF99	4P	17	2176	86.34	26	1.15			7.9	4591	121.46	62	1.65	8.5	4249	112.41	62	1.80			9.5	3809	100.75	62	2.00			11	3438	90.96	62	2.20			9.4	3687	154	62	2.15			10	3352	140	62	2.40			22	1625	64.49	13	0.90	GK89 GKF89 GKA89 GKAF89	4P	22	1776	70.46	27	1.40			25	1464	58.10	14	1.00	28	1285	50.97	16	1.15			32	1134	44.98	17	1.30			36	1005	39.88	17	1.45			38	963	38.23	17	1.45			41	883	35.05	18	1.65			47	775	30.76	18	1.85			49	735	29.15	18	1.95	56	643	25.51	18	2.20	63	579	22.98	19	2.50	71	508	20.16	19	2.80	48	761	30.21	10	1.00	GK79 GKF79 GKA79 GKAF79	4P	53	687	27.27	10	1.10			60	605	23.99	11	1.25	64	571	22.66	11	1.30			75	486	19.29	12	1.45			82	442	17.53	12	1.55	95	383	15.19	12	1.70	109	333	13.22	12	1.90	115	315	12.48	12	1.60	135	268	10.63	12	1.75	149	243	9.66	12	1.85	172	211	8.37	12	1.95	198	183	7.28	11	2.10																																																																																																								
3.4	10031	419	76	1.30			4.0	8715	364	62	0.90	GK109R79 GKF109R79 GKA109R79 GKAF109R79	4P	17	2082	82.61	62	3.60			4.5	7613	318	62	1.05			5.0	6847	286	62	1.15	5.7	6009	251	62	1.35			6.5	5315	222	62	1.50			7.3	4692	196	62	1.70			8.3	4166	174	62	1.90			9.4	3687	154	62	2.15			10	3352	140	62	2.40			7.2	4764	199	38	0.90			GK99R59 GKF99R59 GKA99R59 GKAF99R59	4P	18	1963	77.89	38	2.00	5.3	6862	136.14	78	1.80	GK129 GKF129 GKA129 GKAF129	8P	20	1778	70.54	38	2.30			5.9	6173	122.48	78	2.00			6.5	5553	110.18	78	2.20	6.6	5146	146.07	78	2.20	GK129 GKF129 GKA129 GKAF129	6P	12	2919	115.82	25	0.85			7.1	4630	136.14	78	2.40	7.8	4165	122.48	78	2.70	8.7	4249	110.18	78	3.00	6.4	5666	112.41	62	1.35	GK109 GKF109 GKA109 GKAF109	8P	14	2588	102.71	26	1.00			7.1	5078	100.75	62	1.50			7.9	4585	90.96	62	1.65	8.7	4164	82.61	62	1.85			6.7	5423	143.47	62	1.40	GK99 GKF99 GKA99 GKAF99	4P	17	2176	86.34	26	1.15			7.9	4591	121.46	62	1.65			8.5	4249	112.41	62	1.80	9.5	3809	100.75	62	2.00			11	3438	90.96	62	2.20			9.4	3687	154	62	2.15			10	3352	140	62	2.40			22	1625	64.49	13	0.90	GK89 GKF89 GKA89 GKAF89	4P	22	1776	70.46	27	1.40			25	1464	58.10	14	1.00			28	1285	50.97	16	1.15	32	1134	44.98	17	1.30			36	1005	39.88	17	1.45			38	963	38.23	17	1.45			41	883	35.05	18	1.65			47	775	30.76	18	1.85			49	735	29.15	18	1.95	56	643	25.51	18	2.20	63	579	22.98	19	2.50	71	508	20.16	19	2.80	48	761	30.21	10	1.00	GK79 GKF79 GKA79 GKAF79	4P	53	687	27.27	10	1.10			60	605	23.99	11	1.25			64	571	22.66	11	1.30	75	486	19.29	12	1.45			82	442	17.53	12	1.55	95	383	15.19	12	1.70	109	333	13.22	12	1.90	115	315	12.48	12	1.60	135	268	10.63	12	1.75	149	243	9.66	12	1.85	172	211	8.37	12	1.95	198	183	7.28	11	2.10																																																																																																															
4.0	8715	364	62	0.90	GK109R79 GKF109R79 GKA109R79 GKAF109R79	4P	17	2082	82.61	62	3.60			4.5	7613	318	62	1.05			5.0	6847	286	62	1.15			5.7	6009	251	62	1.35	6.5	5315	222	62	1.50			7.3	4692	196	62	1.70			8.3	4166	174	62	1.90			9.4	3687	154	62	2.15			10	3352	140	62	2.40			7.2	4764	199	38	0.90			GK99R59 GKF99R59 GKA99R59 GKAF99R59	4P	18	1963	77.89	38	2.00	5.3	6862	136.14	78	1.80	GK129 GKF129 GKA129 GKAF129	8P	20	1778	70.54	38	2.30			5.9	6173	122.48	78	2.00			6.5	5553	110.18	78	2.20	6.6	5146	146.07	78	2.20	GK129 GKF129 GKA129 GKAF129	6P	12	2919	115.82	25	0.85			7.1	4630	136.14	78	2.40	7.8	4165	122.48	78	2.70	8.7	4249	110.18	78	3.00	6.4	5666	112.41	62	1.35	GK109 GKF109 GKA109 GKAF109	8P	14	2588	102.71	26	1.00			7.1	5078	100.75	62	1.50			7.9	4585	90.96	62	1.65			8.7	4164	82.61	62	1.85	6.7	5423	143.47	62	1.40	GK99 GKF99 GKA99 GKAF99	4P	17	2176	86.34	26	1.15			7.9	4591	121.46	62	1.65			8.5	4249	112.41	62	1.80			9.5	3809	100.75	62	2.00	11	3438	90.96	62	2.20			9.4	3687	154	62	2.15			10	3352	140	62	2.40			22	1625	64.49	13	0.90	GK89 GKF89 GKA89 GKAF89	4P	22	1776	70.46	27	1.40			25	1464	58.10	14	1.00			28	1285	50.97	16	1.15			32	1134	44.98	17	1.30	36	1005	39.88	17	1.45			38	963	38.23	17	1.45			41	883	35.05	18	1.65			47	775	30.76	18	1.85			49	735	29.15	18	1.95	56	643	25.51	18	2.20	63	579	22.98	19	2.50	71	508	20.16	19	2.80	48	761	30.21	10	1.00	GK79 GKF79 GKA79 GKAF79	4P	53	687	27.27	10	1.10			60	605	23.99	11	1.25			64	571	22.66	11	1.30			75	486	19.29	12	1.45	82	442	17.53	12	1.55	95	383	15.19	12	1.70	109	333	13.22	12	1.90	115	315	12.48	12	1.60	135	268	10.63	12	1.75	149	243	9.66	12	1.85	172	211	8.37	12	1.95	198	183	7.28	11	2.10																																																																																																																						
4.5	7613	318	62	1.05			5.0	6847	286	62	1.15			5.7	6009	251	62	1.35			6.5	5315	222	62	1.50			7.3	4692	196	62	1.70	8.3	4166	174	62	1.90			9.4	3687	154	62	2.15			10	3352	140	62	2.40			7.2	4764	199	38	0.90			GK99R59 GKF99R59 GKA99R59 GKAF99R59	4P	18	1963	77.89			38	2.00	5.3	6862	136.14	78	1.80	GK129 GKF129 GKA129 GKAF129	8P	20	1778	70.54	38	2.30	5.9	6173	122.48	78	2.00			6.5	5553	110.18	78	2.20			6.6	5146	146.07	78	2.20	GK129 GKF129 GKA129 GKAF129	6P	12	2919	115.82	25	0.85	7.1	4630	136.14	78	2.40			7.8	4165	122.48	78	2.70	8.7	4249	110.18	78	3.00	6.4	5666	112.41	62	1.35	GK109 GKF109 GKA109 GKAF109	8P	14	2588	102.71	26	1.00	7.1	5078	100.75	62	1.50			7.9	4585	90.96	62	1.65			8.7	4164	82.61	62	1.85			6.7	5423	143.47	62	1.40	GK99 GKF99 GKA99 GKAF99	4P	17	2176	86.34	26	1.15	7.9	4591	121.46	62	1.65			8.5	4249	112.41	62	1.80			9.5	3809	100.75	62	2.00			11	3438	90.96	62	2.20			9.4	3687	154	62	2.15	10	3352	140	62	2.40			22	1625	64.49	13	0.90			GK89 GKF89 GKA89 GKAF89	4P	22	1776	70.46	27	1.40	25	1464	58.10	14	1.00			28	1285	50.97	16	1.15			32	1134	44.98	17	1.30			36	1005	39.88	17	1.45			38	963	38.23	17	1.45	41	883	35.05	18	1.65			47	775	30.76	18	1.85			49	735	29.15	18	1.95			56	643	25.51	18	2.20	63	579	22.98	19	2.50	71	508	20.16	19	2.80	48	761	30.21	10	1.00	GK79 GKF79 GKA79 GKAF79	4P	53	687	27.27	10	1.10	60	605	23.99	11	1.25			64	571	22.66	11	1.30			75	486	19.29	12	1.45			82	442	17.53	12	1.55	95	383	15.19	12	1.70	109	333	13.22	12	1.90	115	315	12.48	12	1.60	135	268	10.63	12	1.75	149	243	9.66	12	1.85	172	211	8.37	12	1.95	198	183	7.28	11	2.10																																																																																																																																		
5.0	6847	286	62	1.15			5.7	6009	251	62	1.35			6.5	5315	222	62	1.50			7.3	4692	196	62	1.70			8.3	4166	174	62	1.90	9.4	3687	154	62	2.15			10	3352	140	62	2.40			7.2	4764	199	38	0.90			GK99R59 GKF99R59 GKA99R59 GKAF99R59	4P	18	1963	77.89			38	2.00	5.3	6862	136.14	78	1.80	GK129 GKF129 GKA129 GKAF129	8P	20	1778	70.54	38	2.30			5.9	6173	122.48	78	2.00	6.5	5553	110.18	78	2.20			6.6	5146	146.07	78	2.20	GK129 GKF129 GKA129 GKAF129	6P	12	2919	115.82	25	0.85			7.1	4630	136.14	78	2.40	7.8	4165	122.48	78	2.70	8.7	4249	110.18	78	3.00	6.4	5666	112.41	62	1.35	GK109 GKF109 GKA109 GKAF109	8P	14	2588	102.71	26	1.00			7.1	5078	100.75	62	1.50	7.9	4585	90.96	62	1.65			8.7	4164	82.61	62	1.85			6.7	5423	143.47	62	1.40	GK99 GKF99 GKA99 GKAF99	4P	17	2176	86.34	26	1.15			7.9	4591	121.46	62	1.65	8.5	4249	112.41	62	1.80			9.5	3809	100.75	62	2.00			11	3438	90.96	62	2.20			9.4	3687	154	62	2.15			10	3352	140	62	2.40	22	1625	64.49	13	0.90			GK89 GKF89 GKA89 GKAF89	4P	22	1776	70.46	27	1.40			25	1464	58.10	14	1.00	28	1285	50.97	16	1.15			32	1134	44.98	17	1.30			36	1005	39.88	17	1.45			38	963	38.23	17	1.45			41	883	35.05	18	1.65	47	775	30.76	18	1.85			49	735	29.15	18	1.95			56	643	25.51	18	2.20	63	579	22.98	19	2.50	71	508	20.16	19	2.80	48	761	30.21	10	1.00	GK79 GKF79 GKA79 GKAF79	4P	53	687	27.27	10	1.10			60	605	23.99	11	1.25	64	571	22.66	11	1.30			75	486	19.29	12	1.45			82	442	17.53	12	1.55	95	383	15.19	12	1.70	109	333	13.22	12	1.90	115	315	12.48	12	1.60	135	268	10.63	12	1.75	149	243	9.66	12	1.85	172	211	8.37	12	1.95	198	183	7.28	11	2.10																																																																																																																																									
5.7	6009	251	62	1.35			6.5	5315	222	62	1.50			7.3	4692	196	62	1.70			8.3	4166	174	62	1.90			9.4	3687	154	62	2.15	10	3352	140	62	2.40			7.2	4764	199	38	0.90			GK99R59 GKF99R59 GKA99R59 GKAF99R59	4P	18	1963	77.89			38	2.00	5.3	6862	136.14	78	1.80	GK129 GKF129 GKA129 GKAF129	8P	20	1778	70.54	38	2.30			5.9	6173	122.48	78	2.00			6.5	5553	110.18	78	2.20	6.6	5146	146.07	78	2.20	GK129 GKF129 GKA129 GKAF129	6P	12	2919	115.82	25	0.85			7.1	4630	136.14	78	2.40	7.8	4165	122.48	78	2.70	8.7	4249	110.18	78	3.00	6.4	5666	112.41	62	1.35	GK109 GKF109 GKA109 GKAF109	8P	14	2588	102.71	26	1.00			7.1	5078	100.75	62	1.50			7.9	4585	90.96	62	1.65	8.7	4164	82.61	62	1.85			6.7	5423	143.47	62	1.40	GK99 GKF99 GKA99 GKAF99	4P	17	2176	86.34	26	1.15			7.9	4591	121.46	62	1.65			8.5	4249	112.41	62	1.80	9.5	3809	100.75	62	2.00			11	3438	90.96	62	2.20			9.4	3687	154	62	2.15			10	3352	140	62	2.40			22	1625	64.49	13	0.90	GK89 GKF89 GKA89 GKAF89	4P	22	1776	70.46	27	1.40			25	1464	58.10	14	1.00			28	1285	50.97	16	1.15	32	1134	44.98	17	1.30			36	1005	39.88	17	1.45			38	963	38.23	17	1.45			41	883	35.05	18	1.65			47	775	30.76	18	1.85	49	735	29.15	18	1.95			56	643	25.51	18	2.20	63	579	22.98	19	2.50	71	508	20.16	19	2.80	48	761	30.21	10	1.00	GK79 GKF79 GKA79 GKAF79	4P	53	687	27.27	10	1.10			60	605	23.99	11	1.25			64	571	22.66	11	1.30	75	486	19.29	12	1.45			82	442	17.53	12	1.55	95	383	15.19	12	1.70	109	333	13.22	12	1.90	115	315	12.48	12	1.60	135	268	10.63	12	1.75	149	243	9.66	12	1.85	172	211	8.37	12	1.95	198	183	7.28	11	2.10																																																																																																																																																
6.5	5315	222	62	1.50			7.3	4692	196	62	1.70			8.3	4166	174	62	1.90			9.4	3687	154	62	2.15			10	3352	140	62	2.40	7.2	4764	199	38	0.90			GK99R59 GKF99R59 GKA99R59 GKAF99R59	4P	18	1963	77.89			38	2.00	5.3	6862	136.14	78	1.80	GK129 GKF129 GKA129 GKAF129	8P	20	1778	70.54	38	2.30			5.9	6173	122.48	78	2.00			6.5	5553	110.18	78	2.20	6.6	5146	146.07	78	2.20	GK129 GKF129 GKA129 GKAF129	6P	12	2919	115.82	25	0.85			7.1	4630	136.14	78	2.40	7.8	4165	122.48	78	2.70	8.7	4249	110.18	78	3.00	6.4	5666	112.41	62	1.35	GK109 GKF109 GKA109 GKAF109	8P	14	2588	102.71	26	1.00			7.1	5078	100.75	62	1.50			7.9	4585	90.96	62	1.65			8.7	4164	82.61	62	1.85	6.7	5423	143.47	62	1.40	GK99 GKF99 GKA99 GKAF99	4P	17	2176	86.34	26	1.15			7.9	4591	121.46	62	1.65			8.5	4249	112.41	62	1.80			9.5	3809	100.75	62	2.00	11	3438	90.96	62	2.20			9.4	3687	154	62	2.15			10	3352	140	62	2.40			22	1625	64.49	13	0.90	GK89 GKF89 GKA89 GKAF89	4P	22	1776	70.46	27	1.40			25	1464	58.10	14	1.00			28	1285	50.97	16	1.15			32	1134	44.98	17	1.30	36	1005	39.88	17	1.45			38	963	38.23	17	1.45			41	883	35.05	18	1.65			47	775	30.76	18	1.85			49	735	29.15	18	1.95	56	643	25.51	18	2.20	63	579	22.98	19	2.50	71	508	20.16	19	2.80	48	761	30.21	10	1.00	GK79 GKF79 GKA79 GKAF79	4P	53	687	27.27	10	1.10			60	605	23.99	11	1.25			64	571	22.66	11	1.30			75	486	19.29	12	1.45	82	442	17.53	12	1.55	95	383	15.19	12	1.70	109	333	13.22	12	1.90	115	315	12.48	12	1.60	135	268	10.63	12	1.75	149	243	9.66	12	1.85	172	211	8.37	12	1.95	198	183	7.28	11	2.10																																																																																																																																																							
7.3	4692	196	62	1.70			8.3	4166	174	62	1.90			9.4	3687	154	62	2.15			10	3352	140	62	2.40			7.2	4764	199	38	0.90	GK99R59 GKF99R59 GKA99R59 GKAF99R59	4P	18	1963	77.89			38	2.00	5.3	6862	136.14	78	1.80	GK129 GKF129 GKA129 GKAF129	8P	20	1778	70.54	38	2.30			5.9	6173	122.48	78	2.00			6.5	5553	110.18	78	2.20	6.6	5146	146.07	78	2.20	GK129 GKF129 GKA129 GKAF129	6P	12	2919	115.82	25	0.85			7.1	4630	136.14	78	2.40	7.8	4165	122.48	78	2.70	8.7	4249	110.18	78	3.00	6.4	5666	112.41	62	1.35	GK109 GKF109 GKA109 GKAF109	8P	14	2588	102.71	26	1.00			7.1	5078	100.75	62	1.50			7.9	4585	90.96	62	1.65			8.7	4164	82.61	62	1.85	6.7	5423	143.47	62	1.40	GK99 GKF99 GKA99 GKAF99	4P	17	2176	86.34	26	1.15			7.9	4591	121.46	62	1.65			8.5	4249	112.41	62	1.80			9.5	3809	100.75	62	2.00			11	3438	90.96	62	2.20	9.4	3687	154	62	2.15			10	3352	140	62	2.40			22	1625	64.49	13	0.90	GK89 GKF89 GKA89 GKAF89	4P	22	1776	70.46	27	1.40			25	1464	58.10	14	1.00			28	1285	50.97	16	1.15			32	1134	44.98	17	1.30			36	1005	39.88	17	1.45	38	963	38.23	17	1.45			41	883	35.05	18	1.65			47	775	30.76	18	1.85			49	735	29.15	18	1.95	56	643	25.51	18	2.20	63	579	22.98	19	2.50	71	508	20.16	19	2.80	48	761	30.21	10	1.00	GK79 GKF79 GKA79 GKAF79	4P	53	687	27.27	10	1.10			60	605	23.99	11	1.25			64	571	22.66	11	1.30			75	486	19.29	12	1.45	82	442	17.53	12	1.55	95	383	15.19	12	1.70	109	333	13.22	12	1.90	115	315	12.48	12	1.60	135	268	10.63	12	1.75	149	243	9.66	12	1.85	172	211	8.37	12	1.95	198	183	7.28	11	2.10																																																																																																																																																														
8.3	4166	174	62	1.90			9.4	3687	154	62	2.15			10	3352	140	62	2.40			7.2	4764	199	38	0.90			GK99R59 GKF99R59 GKA99R59 GKAF99R59	4P	18	1963	77.89	38	2.00	5.3	6862	136.14	78	1.80	GK129 GKF129 GKA129 GKAF129	8P	20	1778	70.54	38	2.30			5.9	6173	122.48	78	2.00			6.5	5553	110.18	78	2.20	6.6	5146	146.07	78	2.20	GK129 GKF129 GKA129 GKAF129	6P	12	2919	115.82	25	0.85			7.1	4630	136.14	78	2.40	7.8	4165	122.48	78	2.70	8.7	4249	110.18	78	3.00	6.4	5666	112.41	62	1.35	GK109 GKF109 GKA109 GKAF109	8P	14	2588	102.71	26	1.00			7.1	5078	100.75	62	1.50			7.9	4585	90.96	62	1.65			8.7	4164	82.61	62	1.85	6.7	5423	143.47	62	1.40	GK99 GKF99 GKA99 GKAF99	4P	17	2176	86.34	26	1.15			7.9	4591	121.46	62	1.65			8.5	4249	112.41	62	1.80			9.5	3809	100.75	62	2.00			11	3438	90.96	62	2.20			9.4	3687	154	62	2.15	10	3352	140	62	2.40			22	1625	64.49	13	0.90	GK89 GKF89 GKA89 GKAF89	4P	22	1776	70.46	27	1.40			25	1464	58.10	14	1.00			28	1285	50.97	16	1.15			32	1134	44.98	17	1.30			36	1005	39.88	17	1.45			38	963	38.23	17	1.45	41	883	35.05	18	1.65			47	775	30.76	18	1.85			49	735	29.15	18	1.95	56	643	25.51	18	2.20	63	579	22.98	19	2.50	71	508	20.16	19	2.80	48	761	30.21	10	1.00	GK79 GKF79 GKA79 GKAF79	4P	53	687	27.27	10	1.10			60	605	23.99	11	1.25			64	571	22.66	11	1.30			75	486	19.29	12	1.45	82	442	17.53	12	1.55	95	383	15.19	12	1.70	109	333	13.22	12	1.90	115	315	12.48	12	1.60	135	268	10.63	12	1.75	149	243	9.66	12	1.85	172	211	8.37	12	1.95	198	183	7.28	11	2.10																																																																																																																																																																					
9.4	3687	154	62	2.15			10	3352	140	62	2.40			7.2	4764	199	38	0.90			GK99R59 GKF99R59 GKA99R59 GKAF99R59	4P	18	1963	77.89	38	2.00	5.3	6862	136.14	78	1.80	GK129 GKF129 GKA129 GKAF129	8P	20	1778	70.54	38	2.30			5.9	6173	122.48	78	2.00			6.5	5553	110.18	78	2.20	6.6	5146	146.07	78	2.20	GK129 GKF129 GKA129 GKAF129	6P	12	2919	115.82	25	0.85			7.1	4630	136.14	78	2.40	7.8	4165	122.48	78	2.70	8.7	4249	110.18	78	3.00	6.4	5666	112.41	62	1.35	GK109 GKF109 GKA109 GKAF109	8P	14	2588	102.71	26	1.00			7.1	5078	100.75	62	1.50			7.9	4585	90.96	62	1.65			8.7	4164	82.61	62	1.85	6.7	5423	143.47	62	1.40	GK99 GKF99 GKA99 GKAF99	4P	17	2176	86.34	26	1.15			7.9	4591	121.46	62	1.65			8.5	4249	112.41	62	1.80			9.5	3809	100.75	62	2.00			11	3438	90.96	62	2.20			9.4	3687	154	62	2.15			10	3352	140	62	2.40	22	1625	64.49	13	0.90	GK89 GKF89 GKA89 GKAF89	4P	22	1776	70.46	27	1.40			25	1464	58.10	14	1.00			28	1285	50.97	16	1.15			32	1134	44.98	17	1.30			36	1005	39.88	17	1.45			38	963	38.23	17	1.45			41	883	35.05	18	1.65	47	775	30.76	18	1.85			49	735	29.15	18	1.95	56	643	25.51	18	2.20	63	579	22.98	19	2.50	71	508	20.16	19	2.80	48	761	30.21	10	1.00	GK79 GKF79 GKA79 GKAF79	4P	53	687	27.27	10	1.10			60	605	23.99	11	1.25			64	571	22.66	11	1.30			75	486	19.29	12	1.45	82	442	17.53	12	1.55	95	383	15.19	12	1.70	109	333	13.22	12	1.90	115	315	12.48	12	1.60	135	268	10.63	12	1.75	149	243	9.66	12	1.85	172	211	8.37	12	1.95	198	183	7.28	11	2.10																																																																																																																																																																												
10	3352	140	62	2.40			7.2	4764	199	38	0.90			GK99R59 GKF99R59 GKA99R59 GKAF99R59	4P	18	1963	77.89	38	2.00	5.3	6862	136.14	78	1.80	GK129 GKF129 GKA129 GKAF129	8P	20	1778	70.54	38	2.30			5.9	6173	122.48	78	2.00			6.5	5553	110.18	78	2.20	6.6	5146	146.07	78	2.20	GK129 GKF129 GKA129 GKAF129	6P	12	2919	115.82	25	0.85			7.1	4630	136.14	78	2.40	7.8	4165	122.48	78	2.70	8.7	4249	110.18	78	3.00	6.4	5666	112.41	62	1.35	GK109 GKF109 GKA109 GKAF109	8P	14	2588	102.71	26	1.00			7.1	5078	100.75	62	1.50			7.9	4585	90.96	62	1.65			8.7	4164	82.61	62	1.85	6.7	5423	143.47	62	1.40	GK99 GKF99 GKA99 GKAF99	4P	17	2176	86.34	26	1.15			7.9	4591	121.46	62	1.65			8.5	4249	112.41	62	1.80			9.5	3809	100.75	62	2.00			11	3438	90.96	62	2.20			9.4	3687	154	62	2.15			10	3352	140	62	2.40	22	1625	64.49	13	0.90	GK89 GKF89 GKA89 GKAF89	4P	22	1776	70.46	27	1.40			25	1464	58.10	14	1.00			28	1285	50.97	16	1.15			32	1134	44.98	17	1.30			36	1005	39.88	17	1.45			38	963	38.23	17	1.45			41	883	35.05	18	1.65			47	775	30.76	18	1.85	49	735	29.15	18	1.95	56	643	25.51	18	2.20	63	579	22.98	19	2.50	71	508	20.16	19	2.80	48	761	30.21	10	1.00	GK79 GKF79 GKA79 GKAF79	4P	53	687	27.27	10	1.10			60	605	23.99	11	1.25			64	571	22.66	11	1.30			75	486	19.29	12	1.45	82	442	17.53	12	1.55	95	383	15.19	12	1.70	109	333	13.22	12	1.90	115	315	12.48	12	1.60	135	268	10.63	12	1.75	149	243	9.66	12	1.85	172	211	8.37	12	1.95	198	183	7.28	11	2.10																																																																																																																																																																																			
7.2	4764	199	38	0.90			GK99R59 GKF99R59 GKA99R59 GKAF99R59	4P	18	1963	77.89	38	2.00	5.3	6862	136.14	78	1.80	GK129 GKF129 GKA129 GKAF129	8P	20	1778	70.54	38	2.30			5.9	6173	122.48	78	2.00			6.5	5553	110.18	78	2.20	6.6	5146	146.07	78	2.20	GK129 GKF129 GKA129 GKAF129	6P	12	2919	115.82	25	0.85			7.1	4630	136.14	78	2.40	7.8	4165	122.48	78	2.70	8.7	4249	110.18	78	3.00	6.4	5666	112.41	62	1.35	GK109 GKF109 GKA109 GKAF109	8P	14	2588	102.71	26	1.00			7.1	5078	100.75	62	1.50			7.9	4585	90.96	62	1.65			8.7	4164	82.61	62	1.85	6.7	5423	143.47	62	1.40	GK99 GKF99 GKA99 GKAF99	4P	17	2176	86.34	26	1.15			7.9	4591	121.46	62	1.65			8.5	4249	112.41	62	1.80			9.5	3809	100.75	62	2.00			11	3438	90.96	62	2.20			9.4	3687	154	62	2.15			10	3352	140	62	2.40	22	1625	64.49	13	0.90	GK89 GKF89 GKA89 GKAF89	4P	22	1776	70.46	27	1.40			25	1464	58.10	14	1.00			28	1285	50.97	16	1.15			32	1134	44.98	17	1.30			36	1005	39.88	17	1.45			38	963	38.23	17	1.45			41	883	35.05	18	1.65			47	775	30.76	18	1.85	49	735	29.15	18	1.95	56	643	25.51	18	2.20	63	579	22.98	19	2.50	71	508	20.16	19	2.80	48	761	30.21	10	1.00	GK79 GKF79 GKA79 GKAF79	4P	53	687	27.27	10	1.10			60	605	23.99	11	1.25			64	571	22.66	11	1.30			75	486	19.29	12	1.45	82	442	17.53	12	1.55	95	383	15.19	12	1.70	109	333	13.22	12	1.90	115	315	12.48	12	1.60	135	268	10.63	12	1.75	149	243	9.66	12	1.85	172	211	8.37	12	1.95	198	183	7.28	11	2.10																																																																																																																																																																																										
5.3	6862	136.14	78	1.80	GK129 GKF129 GKA129 GKAF129	8P	20	1778	70.54	38	2.30	5.9	6173	122.48	78	2.00	6.5	5553			110.18	78	2.20	6.6	5146			146.07	78	2.20	GK129 GKF129 GKA129 GKAF129	6P	12	2919	115.82	25	0.85	7.1	4630	136.14	78	2.40	7.8	4165			122.48	78	2.70	8.7	4249	110.18	78	3.00	6.4	5666	112.41	62	1.35	GK109 GKF109 GKA109 GKAF109	8P	14	2588	102.71	26	1.00	7.1	5078	100.75	62	1.50	7.9	4585			90.96	62	1.65	8.7	4164			82.61	62	1.85	6.7	5423			143.47	62	1.40	GK99 GKF99 GKA99 GKAF99	4P	17	2176	86.34	26	1.15	7.9	4591	121.46	62	1.65	8.5	4249			112.41	62	1.80	9.5	3809			100.75	62	2.00	11	3438			90.96	62	2.20	9.4	3687			154	62	2.15	10	3352			140	62	2.40	22	1625			64.49	13	0.90	GK89 GKF89 GKA89 GKAF89	4P	22	1776	70.46	27	1.40	25	1464	58.10	14	1.00	28	1285			50.97	16	1.15	32	1134			44.98	17	1.30	36	1005			39.88	17	1.45	38	963			38.23	17	1.45	41	883			35.05	18	1.65	47	775			30.76	18	1.85	49	735			29.15	18	1.95	56	643	25.51	18	2.20	63	579	22.98	19	2.50	71	508	20.16	19	2.80	48	761	30.21	10	1.00	GK79 GKF79 GKA79 GKAF79	4P	53	687	27.27	10	1.10	60	605	23.99	11	1.25	64	571			22.66	11	1.30	75	486			19.29	12	1.45	82	442			17.53	12	1.55	95	383	15.19	12	1.70	109	333	13.22	12	1.90	115	315	12.48	12	1.60	135	268	10.63	12	1.75	149	243	9.66	12	1.85	172	211	8.37	12	1.95	198	183	7.28	11	2.10																																																																																																																																																																																																								
5.9	6173	122.48	78	2.00			6.5	5553	110.18	78	2.20	6.6	5146	146.07	78	2.20	GK129 GKF129 GKA129 GKAF129	6P			12	2919	115.82	25	0.85	7.1	4630	136.14	78	2.40			7.8	4165	122.48	78	2.70	8.7	4249	110.18	78	3.00	6.4	5666	112.41	62	1.35	GK109 GKF109 GKA109 GKAF109	8P	14	2588	102.71	26	1.00	7.1	5078	100.75	62	1.50			7.9	4585	90.96	62	1.65	8.7	4164	82.61	62	1.85	6.7	5423			143.47	62	1.40	GK99 GKF99 GKA99 GKAF99	4P			17	2176	86.34	26	1.15	7.9	4591	121.46	62	1.65			8.5	4249	112.41	62	1.80	9.5	3809	100.75	62	2.00	11	3438			90.96	62	2.20	9.4	3687			154	62	2.15	10	3352			140	62	2.40	22	1625			64.49	13	0.90	GK89 GKF89 GKA89 GKAF89	4P			22	1776	70.46	27	1.40	25	1464	58.10	14	1.00			28	1285	50.97	16	1.15	32	1134	44.98	17	1.30	36	1005			39.88	17	1.45	38	963			38.23	17	1.45	41	883			35.05	18	1.65	47	775			30.76	18	1.85	49	735			29.15	18	1.95	56	643			25.51	18	2.20	63	579	22.98	19	2.50	71	508	20.16	19	2.80	48	761	30.21	10	1.00	GK79 GKF79 GKA79 GKAF79	4P	53	687	27.27	10	1.10	60	605	23.99	11	1.25			64	571	22.66	11	1.30	75	486	19.29	12	1.45	82	442			17.53	12	1.55	95	383			15.19	12	1.70	109	333	13.22	12	1.90	115	315	12.48	12	1.60	135	268	10.63	12	1.75	149	243	9.66	12	1.85	172	211	8.37	12	1.95	198	183	7.28	11	2.10																																																																																																																																																																																																																				
6.5	5553	110.18	78	2.20			6.6	5146	146.07	78	2.20	GK129 GKF129 GKA129 GKAF129	6P	12	2919	115.82			25	0.85	7.1	4630	136.14	78	2.40	7.8	4165	122.48	78	2.70	8.7	4249	110.18	78	3.00	6.4	5666	112.41	62	1.35	GK109 GKF109 GKA109 GKAF109	8P	14	2588	102.71	26	1.00			7.1	5078	100.75	62	1.50	7.9	4585	90.96	62	1.65			8.7	4164	82.61	62	1.85	6.7	5423	143.47	62	1.40	GK99 GKF99 GKA99 GKAF99	4P			17	2176	86.34			26	1.15	7.9	4591	121.46	62	1.65	8.5	4249	112.41	62	1.80			9.5	3809	100.75	62	2.00	11	3438	90.96	62	2.20	9.4	3687			154	62	2.15	10	3352			140	62	2.40	22	1625			64.49	13	0.90	GK89 GKF89 GKA89 GKAF89	4P			22	1776	70.46			27	1.40	25	1464	58.10	14	1.00	28	1285	50.97	16	1.15			32	1134	44.98	17	1.30	36	1005	39.88	17	1.45	38	963			38.23	17	1.45	41	883			35.05	18	1.65	47	775			30.76	18	1.85	49	735			29.15	18	1.95	56	643			25.51	18	2.20	63	579	22.98	19	2.50	71	508	20.16	19	2.80	48	761	30.21	10	1.00	GK79 GKF79 GKA79 GKAF79	4P	53	687	27.27	10	1.10			60	605	23.99	11	1.25	64	571	22.66	11	1.30			75	486	19.29	12	1.45	82	442	17.53	12	1.55	95	383			15.19	12	1.70	109	333	13.22	12	1.90	115	315	12.48	12	1.60	135	268	10.63	12	1.75	149	243	9.66	12	1.85	172	211	8.37	12	1.95	198	183	7.28	11	2.10																																																																																																																																																																																																																											
6.6	5146	146.07	78	2.20	GK129 GKF129 GKA129 GKAF129	6P	12	2919	115.82	25	0.85			7.1	4630	136.14	78	2.40	7.8	4165	122.48	78	2.70	8.7	4249	110.18	78	3.00	6.4	5666	112.41	62	1.35	GK109 GKF109 GKA109 GKAF109	8P	14	2588	102.71	26	1.00			7.1	5078	100.75	62	1.50			7.9	4585	90.96	62	1.65	8.7	4164	82.61	62	1.85			6.7	5423	143.47	62	1.40	GK99 GKF99 GKA99 GKAF99	4P	17	2176	86.34			26	1.15	7.9	4591	121.46			62	1.65	8.5	4249	112.41	62	1.80	9.5	3809	100.75	62	2.00			11	3438	90.96	62	2.20	9.4	3687	154	62	2.15	10	3352			140	62	2.40	22	1625			64.49	13	0.90	GK89 GKF89 GKA89 GKAF89	4P			22	1776	70.46			27	1.40	25	1464	58.10			14	1.00	28	1285	50.97	16	1.15	32	1134	44.98	17	1.30			36	1005	39.88	17	1.45	38	963	38.23	17	1.45	41	883			35.05	18	1.65	47	775			30.76	18	1.85	49	735			29.15	18	1.95	56	643			25.51	18	2.20	63	579	22.98	19	2.50	71	508	20.16	19	2.80	48	761	30.21	10	1.00	GK79 GKF79 GKA79 GKAF79	4P	53	687	27.27	10	1.10			60	605	23.99	11	1.25			64	571	22.66	11	1.30	75	486	19.29	12	1.45			82	442	17.53	12	1.55	95	383	15.19	12	1.70	109	333	13.22	12	1.90	115	315	12.48	12	1.60	135	268	10.63	12	1.75	149	243	9.66	12	1.85	172	211	8.37	12	1.95	198	183	7.28	11	2.10																																																																																																																																																																																																																																		
7.1	4630	136.14	78	2.40			7.8	4165	122.48	78	2.70	8.7	4249	110.18	78	3.00	6.4	5666	112.41	62	1.35	GK109 GKF109 GKA109 GKAF109	8P	14	2588	102.71	26	1.00	7.1	5078	100.75	62	1.50			7.9	4585	90.96	62	1.65			8.7	4164	82.61	62	1.85			6.7	5423	143.47	62	1.40	GK99 GKF99 GKA99 GKAF99	4P	17	2176	86.34	26	1.15	7.9	4591	121.46	62	1.65			8.5	4249	112.41			62	1.80	9.5	3809	100.75			62	2.00	11	3438	90.96	62	2.20	9.4	3687	154	62	2.15			10	3352	140	62	2.40	22	1625	64.49	13	0.90	GK89 GKF89 GKA89 GKAF89	4P			22	1776	70.46	27	1.40			25	1464	58.10			14	1.00	28	1285	50.97			16	1.15	32	1134	44.98			17	1.30	36	1005	39.88	17	1.45	38	963	38.23	17	1.45			41	883	35.05	18	1.65	47	775	30.76	18	1.85	49	735			29.15	18	1.95	56	643			25.51	18	2.20	63	579			22.98	19	2.50	71	508	20.16	19	2.80	48	761	30.21	10	1.00	GK79 GKF79 GKA79 GKAF79	4P	53	687	27.27	10	1.10	60	605	23.99	11	1.25			64	571	22.66	11	1.30			75	486	19.29	12	1.45			82	442	17.53	12	1.55	95	383	15.19	12	1.70	109	333	13.22	12	1.90	115	315	12.48	12	1.60	135	268	10.63	12	1.75	149	243	9.66	12	1.85	172	211	8.37	12	1.95	198	183	7.28	11	2.10																																																																																																																																																																																																																																														
7.8	4165	122.48	78	2.70	8.7	4249	110.18	78	3.00	6.4	5666	112.41	62	1.35	GK109 GKF109 GKA109 GKAF109	8P	14	2588	102.71	26	1.00			7.1	5078	100.75	62	1.50	7.9	4585	90.96	62	1.65			8.7	4164	82.61	62	1.85			6.7	5423	143.47	62	1.40	GK99 GKF99 GKA99 GKAF99	4P	17	2176	86.34	26	1.15			7.9	4591	121.46	62	1.65	8.5	4249	112.41	62	1.80			9.5	3809	100.75			62	2.00	11	3438	90.96			62	2.20	9.4	3687	154	62	2.15	10	3352	140	62	2.40			22	1625	64.49	13	0.90	GK89 GKF89 GKA89 GKAF89	4P	22	1776	70.46					27	1.40	25	1464	58.10	14	1.00	28	1285	50.97			16	1.15	32	1134	44.98			17	1.30	36	1005	39.88			17	1.45	38	963	38.23	17	1.45	41	883	35.05	18	1.65			47	775	30.76	18	1.85	49	735	29.15	18	1.95	56	643			25.51	18	2.20	63	579			22.98	19	2.50	71	508	20.16	19	2.80	48	761	30.21	10	1.00	GK79 GKF79 GKA79 GKAF79	4P	53	687	27.27	10	1.10			60	605	23.99	11	1.25	64	571	22.66	11	1.30			75	486	19.29	12	1.45			82	442	17.53	12	1.55	95	383	15.19	12	1.70	109	333	13.22	12	1.90	115	315	12.48	12	1.60	135	268	10.63	12	1.75	149	243	9.66	12	1.85	172	211	8.37	12	1.95	198	183	7.28	11	2.10																																																																																																																																																																																																																																																					
8.7	4249	110.18	78	3.00	6.4	5666	112.41	62	1.35	GK109 GKF109 GKA109 GKAF109	8P	14	2588	102.71			26	1.00	7.1	5078	100.75			62	1.50	7.9	4585	90.96	62	1.65	8.7	4164	82.61			62	1.85	6.7	5423	143.47	62	1.40	GK99 GKF99 GKA99 GKAF99	4P	17	2176	86.34			26	1.15	7.9	4591	121.46			62	1.65	8.5	4249	112.41	62	1.80	9.5	3809	100.75			62	2.00	11			3438	90.96	62	2.20	9.4			3687	154	62	2.15	10	3352	140	62	2.40	22	1625	64.49			13	0.90	GK89 GKF89 GKA89 GKAF89	4P	22			1776	70.46	27			1.40	25	1464	58.10	14	1.00	28	1285	50.97	16	1.15	32			1134	44.98	17	1.30	36			1005	39.88	17	1.45	38			963	38.23	17	1.45	41	883	35.05	18	1.65	47	775	30.76			18	1.85	49	735	29.15	18	1.95	56	643	25.51	18	2.20			63	579	22.98	19	2.50	71	508	20.16	19	2.80	48	761	30.21	10	1.00	GK79 GKF79 GKA79 GKAF79	4P	53	687	27.27			10	1.10	60	605	23.99			11	1.25	64	571	22.66	11	1.30	75	486	19.29			12	1.45	82	442	17.53	12	1.55	95	383	15.19	12	1.70	109	333	13.22	12	1.90	115	315	12.48	12	1.60	135	268	10.63	12	1.75	149	243	9.66	12	1.85	172	211	8.37	12	1.95	198	183	7.28	11	2.10																																																																																																																																																																																																																																																										
6.4	5666	112.41	62	1.35	GK109 GKF109 GKA109 GKAF109	8P	14	2588	102.71			26	1.00	7.1			5078	100.75	62	1.50	7.9			4585	90.96	62	1.65	8.7	4164	82.61	62	1.85	6.7	5423	143.47	62	1.40	GK99 GKF99 GKA99 GKAF99	4P	17	2176	86.34			26	1.15	7.9			4591	121.46	62	1.65	8.5			4249	112.41	62	1.80	9.5	3809	100.75	62	2.00	11			3438	90.96	62			2.20	9.4	3687	154	62			2.15	10	3352	140	62	2.40	22	1625	64.49	13	0.90	GK89 GKF89 GKA89 GKAF89	4P	22	1776	70.46			27			1.40	25	1464			58.10	14	1.00	28	1285	50.97	16	1.15	32	1134	44.98	17			1.30	36	1005	39.88	17			1.45	38	963	38.23	17			1.45	41	883	35.05	18	1.65	47	775	30.76	18	1.85	49			735	29.15	18	1.95	56	643	25.51	18	2.20	63	579	22.98	19	2.50	71	508	20.16	19	2.80	48	761	30.21	10	1.00	GK79 GKF79 GKA79 GKAF79	4P	53	687	27.27			10	1.10	60			605	23.99	11	1.25	64			571	22.66	11	1.30	75	486	19.29	12	1.45	82	442	17.53	12	1.55	95	383	15.19	12	1.70	109	333	13.22	12	1.90	115	315	12.48	12	1.60	135	268	10.63	12	1.75	149	243	9.66	12	1.85	172	211	8.37	12	1.95	198	183	7.28	11	2.10																																																																																																																																																																																																																																																															
7.1	5078	100.75	62	1.50			7.9	4585	90.96			62	1.65	8.7			4164	82.61	62	1.85	6.7	5423	143.47	62	1.40	GK99 GKF99 GKA99 GKAF99	4P	17	2176	86.34	26	1.15	7.9	4591	121.46	62	1.65			8.5	4249	112.41			62	1.80	9.5			3809	100.75	62	2.00	11			3438	90.96	62	2.20	9.4	3687	154	62	2.15	10			3352	140	62			2.40	22	1625	64.49	13	0.90	GK89 GKF89 GKA89 GKAF89	4P	22	1776	70.46	27	1.40	25	1464	58.10	14	1.00			28	1285	50.97			16			1.15	32	1134			44.98	17	1.30	36	1005	39.88	17	1.45	38	963	38.23	17			1.45	41	883	35.05	18			1.65	47	775	30.76	18			1.85	49	735	29.15	18	1.95	56	643	25.51	18	2.20	63	579	22.98	19	2.50	71	508	20.16	19	2.80	48	761	30.21	10	1.00	GK79 GKF79 GKA79 GKAF79	4P	53	687	27.27	10	1.10	60	605	23.99	11	1.25			64	571	22.66			11	1.30	75			486	19.29	12	1.45	82	442	17.53	12	1.55	95	383	15.19	12	1.70	109	333	13.22	12	1.90	115	315	12.48	12	1.60	135	268	10.63	12	1.75	149	243	9.66	12	1.85	172	211	8.37	12	1.95	198	183	7.28	11	2.10																																																																																																																																																																																																																																																																											
7.9	4585	90.96	62	1.65			8.7	4164	82.61			62	1.85	6.7	5423	143.47	62	1.40	GK99 GKF99 GKA99 GKAF99	4P	17	2176	86.34	26	1.15			7.9	4591	121.46	62	1.65	8.5	4249	112.41	62	1.80			9.5	3809	100.75			62	2.00	11			3438	90.96	62	2.20	9.4			3687	154	62	2.15	10	3352	140	62	2.40	22			1625	64.49	13	0.90	GK89 GKF89 GKA89 GKAF89	4P	22	1776	70.46	27	1.40			25	1464	58.10	14	1.00	28	1285	50.97	16	1.15			32	1134	44.98			17			1.30	36	1005			39.88	17	1.45	38	963	38.23	17	1.45	41	883	35.05	18			1.65	47	775	30.76	18			1.85	49	735	29.15	18	1.95	56	643	25.51	18	2.20	63	579	22.98	19	2.50	71	508	20.16	19	2.80	48	761	30.21	10	1.00	GK79 GKF79 GKA79 GKAF79	4P	53	687	27.27	10	1.10			60	605	23.99	11	1.25	64	571	22.66	11	1.30			75	486	19.29			12	1.45	82	442	17.53	12	1.55	95	383	15.19	12	1.70	109	333	13.22	12	1.90	115	315	12.48	12	1.60	135	268	10.63	12	1.75	149	243	9.66	12	1.85	172	211	8.37	12	1.95	198	183	7.28	11	2.10																																																																																																																																																																																																																																																																																		
8.7	4164	82.61	62	1.85			6.7	5423	143.47	62	1.40	GK99 GKF99 GKA99 GKAF99	4P	17	2176	86.34	26	1.15			7.9	4591	121.46	62	1.65			8.5	4249	112.41	62	1.80	9.5	3809	100.75	62	2.00			11	3438	90.96			62	2.20	9.4			3687	154	62	2.15	10			3352	140	62	2.40	22	1625	64.49	13	0.90	GK89 GKF89 GKA89 GKAF89	4P	22	1776	70.46	27	1.40			25	1464	58.10	14	1.00			28	1285	50.97	16	1.15	32	1134	44.98	17	1.30			36	1005	39.88			17			1.45	38	963			38.23	17	1.45	41	883	35.05	18	1.65	47	775	30.76	18			1.85	49	735	29.15	18	1.95	56	643	25.51	18	2.20	63	579	22.98	19	2.50	71	508	20.16	19	2.80	48	761	30.21	10	1.00	GK79 GKF79 GKA79 GKAF79	4P	53	687	27.27	10	1.10			60	605	23.99	11	1.25			64	571	22.66	11	1.30	75	486	19.29	12	1.45			82	442	17.53	12	1.55	95	383	15.19	12	1.70	109	333	13.22	12	1.90	115	315	12.48	12	1.60	135	268	10.63	12	1.75	149	243	9.66	12	1.85	172	211	8.37	12	1.95	198	183	7.28	11	2.10																																																																																																																																																																																																																																																																																									
6.7	5423	143.47	62	1.40	GK99 GKF99 GKA99 GKAF99	4P	17	2176	86.34	26	1.15			7.9	4591	121.46	62	1.65			8.5	4249	112.41	62	1.80			9.5	3809	100.75	62	2.00	11	3438	90.96	62	2.20			9.4	3687	154			62	2.15	10			3352	140	62	2.40	22	1625	64.49	13	0.90	GK89 GKF89 GKA89 GKAF89	4P	22	1776	70.46	27	1.40			25	1464	58.10	14	1.00			28	1285	50.97	16	1.15			32	1134	44.98	17	1.30	36	1005	39.88	17	1.45			38	963	38.23			17			1.45	41	883			35.05	18	1.65	47	775	30.76	18	1.85	49	735	29.15	18	1.95	56	643	25.51	18	2.20	63	579	22.98	19	2.50	71	508	20.16	19	2.80	48	761	30.21	10	1.00	GK79 GKF79 GKA79 GKAF79	4P	53	687	27.27	10	1.10			60	605	23.99	11	1.25			64	571	22.66	11	1.30			75	486	19.29	12	1.45	82	442	17.53	12	1.55	95	383	15.19	12	1.70	109	333	13.22	12	1.90	115	315	12.48	12	1.60	135	268	10.63	12	1.75	149	243	9.66	12	1.85	172	211	8.37	12	1.95	198	183	7.28	11	2.10																																																																																																																																																																																																																																																																																																
7.9	4591	121.46	62	1.65			8.5	4249	112.41	62	1.80			9.5	3809	100.75	62	2.00			11	3438	90.96	62	2.20			9.4	3687	154	62	2.15	10	3352	140	62	2.40			22	1625	64.49			13	0.90	GK89 GKF89 GKA89 GKAF89	4P	22	1776	70.46	27	1.40	25	1464	58.10	14	1.00			28	1285	50.97	16	1.15			32	1134	44.98	17	1.30			36	1005	39.88	17	1.45			38	963	38.23	17	1.45	41	883	35.05	18	1.65			47	775	30.76			18			1.85	49	735	29.15	18	1.95	56	643	25.51	18	2.20	63	579	22.98	19	2.50	71	508	20.16	19	2.80	48	761	30.21	10	1.00	GK79 GKF79 GKA79 GKAF79	4P	53	687	27.27	10	1.10	60	605	23.99	11	1.25			64	571	22.66	11	1.30			75	486	19.29	12	1.45			82	442	17.53	12	1.55	95	383	15.19	12	1.70	109	333	13.22	12	1.90	115	315	12.48	12	1.60	135	268	10.63	12	1.75	149	243	9.66	12	1.85	172	211	8.37	12	1.95	198	183	7.28	11	2.10																																																																																																																																																																																																																																																																																																												
8.5	4249	112.41	62	1.80			9.5	3809	100.75	62	2.00			11	3438	90.96	62	2.20			9.4	3687	154	62	2.15			10	3352	140	62	2.40	22	1625	64.49	13	0.90			GK89 GKF89 GKA89 GKAF89	4P	22	1776	70.46	27	1.40			25	1464	58.10	14	1.00	28	1285	50.97	16	1.15			32	1134	44.98	17	1.30			36	1005	39.88	17	1.45			38	963	38.23	17	1.45			41	883	35.05	18	1.65	47	775	30.76	18	1.85			49	735	29.15			18	1.95	56	643	25.51	18	2.20	63	579	22.98	19	2.50	71	508	20.16	19	2.80	48	761	30.21	10	1.00	GK79 GKF79 GKA79 GKAF79	4P	53	687	27.27	10	1.10			60	605	23.99	11	1.25	64	571	22.66	11	1.30			75	486	19.29	12	1.45			82	442	17.53	12	1.55	95	383	15.19	12	1.70	109	333	13.22	12	1.90	115	315	12.48	12	1.60	135	268	10.63	12	1.75	149	243	9.66	12	1.85	172	211	8.37	12	1.95	198	183	7.28	11	2.10																																																																																																																																																																																																																																																																																																																			
9.5	3809	100.75	62	2.00			11	3438	90.96	62	2.20			9.4	3687	154	62	2.15			10	3352	140	62	2.40			22	1625	64.49	13	0.90	GK89 GKF89 GKA89 GKAF89	4P	22	1776	70.46	27	1.40			25	1464	58.10	14	1.00			28	1285	50.97	16	1.15	32	1134	44.98	17	1.30			36	1005	39.88	17	1.45			38	963	38.23	17	1.45			41	883	35.05	18	1.65			47	775	30.76	18	1.85	49	735	29.15	18	1.95			56	643	25.51	18	2.20	63	579	22.98	19	2.50	71	508	20.16	19	2.80	48	761	30.21	10	1.00	GK79 GKF79 GKA79 GKAF79	4P	53	687	27.27	10	1.10			60	605	23.99	11	1.25			64	571	22.66	11	1.30	75	486	19.29	12	1.45			82	442	17.53	12	1.55	95	383	15.19	12	1.70	109	333	13.22	12	1.90	115	315	12.48	12	1.60	135	268	10.63	12	1.75	149	243	9.66	12	1.85	172	211	8.37	12	1.95	198	183	7.28	11	2.10																																																																																																																																																																																																																																																																																																																										
11	3438	90.96	62	2.20			9.4	3687	154	62	2.15			10	3352	140	62	2.40			22	1625	64.49	13	0.90	GK89 GKF89 GKA89 GKAF89	4P	22	1776	70.46	27	1.40			25	1464	58.10	14	1.00			28	1285	50.97	16	1.15			32	1134	44.98	17	1.30	36	1005	39.88	17	1.45			38	963	38.23	17	1.45			41	883	35.05	18	1.65			47	775	30.76	18	1.85			49	735	29.15	18	1.95	56	643	25.51	18	2.20	63	579	22.98	19	2.50	71	508	20.16	19	2.80	48	761	30.21	10	1.00	GK79 GKF79 GKA79 GKAF79	4P	53	687	27.27	10	1.10			60	605	23.99	11	1.25			64	571	22.66	11	1.30			75	486	19.29	12	1.45	82	442	17.53	12	1.55	95	383	15.19	12	1.70	109	333	13.22	12	1.90	115	315	12.48	12	1.60	135	268	10.63	12	1.75	149	243	9.66	12	1.85	172	211	8.37	12	1.95	198	183	7.28	11	2.10																																																																																																																																																																																																																																																																																																																																	
9.4	3687	154	62	2.15			10	3352	140	62	2.40			22	1625	64.49	13	0.90	GK89 GKF89 GKA89 GKAF89	4P	22	1776	70.46	27	1.40			25	1464	58.10	14	1.00			28	1285	50.97	16	1.15			32	1134	44.98	17	1.30			36	1005	39.88	17	1.45	38	963	38.23	17	1.45			41	883	35.05	18	1.65			47	775	30.76	18	1.85			49	735	29.15	18	1.95	56	643	25.51	18	2.20	63	579	22.98	19	2.50	71	508	20.16	19	2.80	48	761	30.21	10	1.00	GK79 GKF79 GKA79 GKAF79	4P	53	687	27.27	10	1.10			60	605	23.99	11	1.25			64	571	22.66	11	1.30			75	486	19.29	12	1.45	82	442	17.53	12	1.55	95	383	15.19	12	1.70	109	333	13.22	12	1.90	115	315	12.48	12	1.60	135	268	10.63	12	1.75	149	243	9.66	12	1.85	172	211	8.37	12	1.95	198	183	7.28	11	2.10																																																																																																																																																																																																																																																																																																																																								
10	3352	140	62	2.40			22	1625	64.49	13	0.90	GK89 GKF89 GKA89 GKAF89	4P	22	1776	70.46	27	1.40			25	1464	58.10	14	1.00			28	1285	50.97	16	1.15			32	1134	44.98	17	1.30			36	1005	39.88	17	1.45			38	963	38.23	17	1.45	41	883	35.05	18	1.65			47	775	30.76	18	1.85			49	735	29.15	18	1.95	56	643	25.51	18	2.20	63	579	22.98	19	2.50	71	508	20.16	19	2.80	48	761	30.21	10	1.00	GK79 GKF79 GKA79 GKAF79	4P	53	687	27.27	10	1.10			60	605	23.99	11	1.25			64	571	22.66	11	1.30			75	486	19.29	12	1.45	82	442	17.53	12	1.55	95	383	15.19	12	1.70	109	333	13.22	12	1.90	115	315	12.48	12	1.60	135	268	10.63	12	1.75	149	243	9.66	12	1.85	172	211	8.37	12	1.95	198	183	7.28	11	2.10																																																																																																																																																																																																																																																																																																																																															
22	1625	64.49	13	0.90	GK89 GKF89 GKA89 GKAF89	4P	22	1776	70.46	27	1.40			25	1464	58.10	14	1.00			28	1285	50.97	16	1.15			32	1134	44.98	17	1.30			36	1005	39.88	17	1.45			38	963	38.23	17	1.45			41	883	35.05	18	1.65	47	775	30.76	18	1.85			49	735	29.15	18	1.95	56	643	25.51	18	2.20	63	579	22.98	19	2.50	71	508	20.16	19	2.80	48	761	30.21	10	1.00	GK79 GKF79 GKA79 GKAF79	4P	53	687	27.27	10	1.10			60	605	23.99	11	1.25			64	571	22.66	11	1.30			75	486	19.29	12	1.45	82	442	17.53	12	1.55	95	383	15.19	12	1.70	109	333	13.22	12	1.90	115	315	12.48	12	1.60	135	268	10.63	12	1.75	149	243	9.66	12	1.85	172	211	8.37	12	1.95	198	183	7.28	11	2.10																																																																																																																																																																																																																																																																																																																																																						
25	1464	58.10	14	1.00			28	1285	50.97	16	1.15			32	1134	44.98	17	1.30			36	1005	39.88	17	1.45			38	963	38.23	17	1.45			41	883	35.05	18	1.65			47	775	30.76	18	1.85			49	735	29.15	18	1.95	56	643	25.51	18	2.20	63	579	22.98	19	2.50	71	508	20.16	19	2.80	48	761	30.21	10	1.00	GK79 GKF79 GKA79 GKAF79	4P	53	687	27.27	10	1.10	60	605	23.99	11	1.25			64	571	22.66	11	1.30			75	486	19.29	12	1.45			82	442	17.53	12	1.55	95	383	15.19	12	1.70	109	333	13.22	12	1.90	115	315	12.48	12	1.60	135	268	10.63	12	1.75	149	243	9.66	12	1.85	172	211	8.37	12	1.95	198	183	7.28	11	2.10																																																																																																																																																																																																																																																																																																																																																																		
28	1285	50.97	16	1.15			32	1134	44.98	17	1.30			36	1005	39.88	17	1.45			38	963	38.23	17	1.45			41	883	35.05	18	1.65			47	775	30.76	18	1.85			49	735	29.15	18	1.95	56	643	25.51	18	2.20	63	579	22.98	19	2.50	71	508	20.16	19	2.80	48	761	30.21	10	1.00	GK79 GKF79 GKA79 GKAF79	4P	53	687	27.27	10	1.10			60	605	23.99	11	1.25	64	571	22.66	11	1.30			75	486	19.29	12	1.45			82	442	17.53	12	1.55	95	383	15.19	12	1.70	109	333	13.22	12	1.90	115	315	12.48	12	1.60	135	268	10.63	12	1.75	149	243	9.66	12	1.85	172	211	8.37	12	1.95	198	183	7.28	11	2.10																																																																																																																																																																																																																																																																																																																																																																									
32	1134	44.98	17	1.30			36	1005	39.88	17	1.45			38	963	38.23	17	1.45			41	883	35.05	18	1.65			47	775	30.76	18	1.85			49	735	29.15	18	1.95	56	643	25.51	18	2.20	63	579	22.98	19	2.50	71	508	20.16	19	2.80	48	761	30.21	10	1.00	GK79 GKF79 GKA79 GKAF79	4P	53	687	27.27	10	1.10			60	605	23.99	11	1.25			64	571	22.66	11	1.30	75	486	19.29	12	1.45			82	442	17.53	12	1.55	95	383	15.19	12	1.70	109	333	13.22	12	1.90	115	315	12.48	12	1.60	135	268	10.63	12	1.75	149	243	9.66	12	1.85	172	211	8.37	12	1.95	198	183	7.28	11	2.10																																																																																																																																																																																																																																																																																																																																																																																
36	1005	39.88	17	1.45			38	963	38.23	17	1.45			41	883	35.05	18	1.65			47	775	30.76	18	1.85			49	735	29.15	18	1.95	56	643	25.51	18	2.20	63	579	22.98	19	2.50	71	508	20.16	19	2.80	48	761	30.21	10	1.00	GK79 GKF79 GKA79 GKAF79	4P	53	687	27.27	10	1.10			60	605	23.99	11	1.25			64	571	22.66	11	1.30			75	486	19.29	12	1.45	82	442	17.53	12	1.55	95	383	15.19	12	1.70	109	333	13.22	12	1.90	115	315	12.48	12	1.60	135	268	10.63	12	1.75	149	243	9.66	12	1.85	172	211	8.37	12	1.95	198	183	7.28	11	2.10																																																																																																																																																																																																																																																																																																																																																																																							
38	963	38.23	17	1.45			41	883	35.05	18	1.65			47	775	30.76	18	1.85			49	735	29.15	18	1.95	56	643	25.51	18	2.20	63	579	22.98	19	2.50	71	508	20.16	19	2.80	48	761	30.21	10	1.00	GK79 GKF79 GKA79 GKAF79	4P	53	687	27.27	10	1.10			60	605	23.99	11	1.25			64	571	22.66	11	1.30			75	486	19.29	12	1.45	82	442	17.53	12	1.55	95	383	15.19	12	1.70	109	333	13.22	12	1.90	115	315	12.48	12	1.60	135	268	10.63	12	1.75	149	243	9.66	12	1.85	172	211	8.37	12	1.95	198	183	7.28	11	2.10																																																																																																																																																																																																																																																																																																																																																																																														
41	883	35.05	18	1.65			47	775	30.76	18	1.85			49	735	29.15	18	1.95	56	643	25.51	18	2.20	63	579	22.98	19	2.50	71	508	20.16	19	2.80	48	761	30.21	10	1.00	GK79 GKF79 GKA79 GKAF79	4P	53	687	27.27	10	1.10			60	605	23.99	11	1.25			64	571	22.66	11	1.30			75	486	19.29	12	1.45	82	442	17.53	12	1.55	95	383	15.19	12	1.70	109	333	13.22	12	1.90	115	315	12.48	12	1.60	135	268	10.63	12	1.75	149	243	9.66	12	1.85	172	211	8.37	12	1.95	198	183	7.28	11	2.10																																																																																																																																																																																																																																																																																																																																																																																																					
47	775	30.76	18	1.85			49	735	29.15	18	1.95	56	643	25.51	18	2.20	63	579	22.98	19	2.50	71	508	20.16	19	2.80	48	761	30.21	10	1.00	GK79 GKF79 GKA79 GKAF79	4P	53	687	27.27	10	1.10			60	605	23.99	11	1.25			64	571	22.66	11	1.30			75	486	19.29	12	1.45	82	442	17.53	12	1.55	95	383	15.19	12	1.70	109	333	13.22	12	1.90	115	315	12.48	12	1.60	135	268	10.63	12	1.75	149	243	9.66	12	1.85	172	211	8.37	12	1.95	198	183	7.28	11	2.10																																																																																																																																																																																																																																																																																																																																																																																																												
49	735	29.15	18	1.95	56	643	25.51	18	2.20	63	579	22.98	19	2.50	71	508	20.16	19	2.80	48	761	30.21	10	1.00	GK79 GKF79 GKA79 GKAF79	4P	53	687	27.27	10	1.10			60	605	23.99	11	1.25			64	571	22.66	11	1.30			75	486	19.29	12	1.45	82	442	17.53	12	1.55	95	383	15.19	12	1.70	109	333	13.22	12	1.90	115	315	12.48	12	1.60	135	268	10.63	12	1.75	149	243	9.66	12	1.85	172	211	8.37	12	1.95	198	183	7.28	11	2.10																																																																																																																																																																																																																																																																																																																																																																																																																			
56	643	25.51	18	2.20	63	579	22.98	19	2.50	71	508	20.16	19	2.80	48	761	30.21	10	1.00	GK79 GKF79 GKA79 GKAF79	4P	53	687	27.27			10	1.10	60	605	23.99			11	1.25	64	571	22.66			11	1.30	75	486	19.29	12	1.45	82	442	17.53	12	1.55	95	383	15.19	12	1.70	109	333	13.22	12	1.90	115	315	12.48	12	1.60	135	268	10.63	12	1.75	149	243	9.66	12	1.85	172	211	8.37	12	1.95	198	183	7.28	11	2.10																																																																																																																																																																																																																																																																																																																																																																																																																								
63	579	22.98	19	2.50	71	508	20.16	19	2.80	48	761	30.21	10	1.00	GK79 GKF79 GKA79 GKAF79	4P	53	687	27.27			10	1.10	60			605	23.99	11	1.25	64			571	22.66	11	1.30	75	486	19.29	12	1.45	82	442	17.53	12	1.55	95	383	15.19	12	1.70	109	333	13.22	12	1.90	115	315	12.48	12	1.60	135	268	10.63	12	1.75	149	243	9.66	12	1.85	172	211	8.37	12	1.95	198	183	7.28	11	2.10																																																																																																																																																																																																																																																																																																																																																																																																																													
71	508	20.16	19	2.80	48	761	30.21	10	1.00	GK79 GKF79 GKA79 GKAF79	4P	53	687	27.27			10	1.10	60			605	23.99	11			1.25	64	571	22.66	11	1.30	75	486	19.29	12	1.45	82	442	17.53	12	1.55	95	383	15.19	12	1.70	109	333	13.22	12	1.90	115	315	12.48	12	1.60	135	268	10.63	12	1.75	149	243	9.66	12	1.85	172	211	8.37	12	1.95	198	183	7.28	11	2.10																																																																																																																																																																																																																																																																																																																																																																																																																																		
48	761	30.21	10	1.00	GK79 GKF79 GKA79 GKAF79	4P	53	687	27.27			10	1.10	60			605	23.99	11			1.25	64	571	22.66	11	1.30	75	486	19.29	12	1.45	82	442	17.53	12	1.55	95	383	15.19	12	1.70	109	333	13.22	12	1.90	115	315	12.48	12	1.60	135	268	10.63	12	1.75	149	243	9.66	12	1.85	172	211	8.37	12	1.95	198	183	7.28	11	2.10																																																																																																																																																																																																																																																																																																																																																																																																																																							
53	687	27.27	10	1.10			60	605	23.99			11	1.25	64			571	22.66	11	1.30	75	486	19.29	12	1.45	82	442	17.53	12	1.55	95	383	15.19	12	1.70	109	333	13.22	12	1.90	115	315	12.48	12	1.60	135	268	10.63	12	1.75	149	243	9.66	12	1.85	172	211	8.37	12	1.95	198	183	7.28	11	2.10																																																																																																																																																																																																																																																																																																																																																																																																																																														
60	605	23.99	11	1.25			64	571	22.66			11	1.30	75	486	19.29	12	1.45	82	442	17.53	12	1.55	95	383	15.19	12	1.70	109	333	13.22	12	1.90	115	315	12.48	12	1.60	135	268	10.63	12	1.75	149	243	9.66	12	1.85	172	211	8.37	12	1.95	198	183	7.28	11	2.10																																																																																																																																																																																																																																																																																																																																																																																																																																																					
64	571	22.66	11	1.30			75	486	19.29	12	1.45	82	442	17.53	12	1.55	95	383	15.19	12	1.70	109	333	13.22	12	1.90	115	315	12.48	12	1.60	135	268	10.63	12	1.75	149	243	9.66	12	1.85	172	211	8.37	12	1.95	198	183	7.28	11	2.10																																																																																																																																																																																																																																																																																																																																																																																																																																																												
75	486	19.29	12	1.45	82	442	17.53	12	1.55	95	383	15.19	12	1.70	109	333	13.22	12	1.90	115	315	12.48	12	1.60	135	268	10.63	12	1.75	149	243	9.66	12	1.85	172	211	8.37	12	1.95	198	183	7.28	11	2.10																																																																																																																																																																																																																																																																																																																																																																																																																																																																			
82	442	17.53	12	1.55	95	383	15.19	12	1.70	109	333	13.22	12	1.90	115	315	12.48	12	1.60	135	268	10.63	12	1.75	149	243	9.66	12	1.85	172	211	8.37	12	1.95	198	183	7.28	11	2.10																																																																																																																																																																																																																																																																																																																																																																																																																																																																								
95	383	15.19	12	1.70	109	333	13.22	12	1.90	115	315	12.48	12	1.60	135	268	10.63	12	1.75	149	243	9.66	12	1.85	172	211	8.37	12	1.95	198	183	7.28	11	2.10																																																																																																																																																																																																																																																																																																																																																																																																																																																																													
109	333	13.22	12	1.90	115	315	12.48	12	1.60	135	268	10.63	12	1.75	149	243	9.66	12	1.85	172	211	8.37	12	1.95	198	183	7.28	11	2.10																																																																																																																																																																																																																																																																																																																																																																																																																																																																																		
115	315	12.48	12	1.60	135	268	10.63	12	1.75	149	243	9.66	12	1.85	172	211	8.37	12	1.95	198	183	7.28	11	2.10																																																																																																																																																																																																																																																																																																																																																																																																																																																																																							
135	268	10.63	12	1.75	149	243	9.66	12	1.85	172	211	8.37	12	1.95	198	183	7.28	11	2.10																																																																																																																																																																																																																																																																																																																																																																																																																																																																																												
149	243	9.66	12	1.85	172	211	8.37	12	1.95	198	183	7.28	11	2.10																																																																																																																																																																																																																																																																																																																																																																																																																																																																																																	
172	211	8.37	12	1.95	198	183	7.28	11	2.10																																																																																																																																																																																																																																																																																																																																																																																																																																																																																																						
198	183	7.28	11	2.10																																																																																																																																																																																																																																																																																																																																																																																																																																																																																																											

GK 系列斜齿轮-锥齿轮减速电机

选型参数表

(恒功率) 4kW-5.5kW

Selection Table

(Constant Power) 4kW-5.5kW

n_a [r/min]	M_a [Nm]	i	F_{Ra} [kN]	f_B	机型号 Type size	极数 Pole	n_a [r/min]	M_a [Nm]	i	F_{Ra} [kN]	f_B	机型号 Type size	极数 Pole			
4kW							5.5kW									
60	606	24.05	5.8	0.95			7.1	7076	136.14	78	1.75	GK129				
63	572	22.71	5.9	1.00			7.8	6366	122.48	78	1.95	GKF129	6P			
74	487	19.34	5.9	1.10			8.7	5727	110.18	78	2.20	GKA129				
82	443	17.57	5.9	1.15			11	4672	89.89	78	2.60	GKAF129				
95	384	15.22	5.9	1.30	GK59 GKF59 GKA59 GKAF59	4P	8.5	5843	112.41	62	1.30	GK109	6P			
109	334	13.25	5.8	1.45				9.5	5237	100.75	62	1.45		GKF109		
121	300	11.92	5.5	1.30				11	4728	90.96	62	1.60		GKA109		
128	284	11.26	5.5	1.35				12	4294	82.61	62	1.75		GKAF109		
150	242	9.59	5.4	1.55					10	4972	143.47	62	1.80		4P	
165	220	8.71	5.4	1.65					12	4209	121.46	62	1.80	GK109		
191	190	7.55	5.3	1.80					13	3895	112.41	62	1.95	GKF109		
219	166	6.57	5.1	1.95					14	3491	100.75	62	2.20	GKA109		
5.5kW																
0.8	59946	1821	153	0.80	GK189R99 GKA189R99	4P	12	4294	123.93	38	0.95	GK99	4P			
0.9	52835	1605	165	0.95				14	3643	105.13	38	1.10		GKF99		
1.0	45922	1395	171	1.05				15	3354	96.80	38	1.20		GKA99		
1.2	39371	1196	171	1.25				17	2998	86.52	38	1.35		GKAF99		
1.4	34434	1046	171	1.45					18	2699	77.89	38	1.50	GK99	4P	
1.5	31109	945	171	1.60				20	2444	70.54	38	1.65	GKF99			
2.0	24294	738	171	2.00				23	2167	62.55	38	1.85	GKA99			
2.3	20443	621	171	2.40				25	1960	56.55	38	2.10	GKAF99			
1.3	36244	1101	135	0.85	GK169R99 GKA169R99	4P	17	2992	86.34	25	0.85	GK89	4P			
1.5	31076	944	135	1.00				18	2749	79.34	26	0.95		GKF89		
1.7	27784	844	135	1.15				20	2442	70.46	26	1.05		GKA89		
1.9	24920	757	135	1.25				23	2183	63.00	26	1.15		GKAF89		
2.3	20805	632	135	1.50					25	1963	56.64	26	1.30			
2.6	18468	561	135	1.70					29	1703	49.16	26	1.50	GK89	4P	
3.0	15834	481	135	2.00				33	1525	44.02	25	1.60	GKF89			
3.4	13925	423	135	2.30				39	1265	36.52	25	1.85	GKA89			
2.2	21760	661	104	0.80		46	1087	31.38	24	2.30	GKAF89					
2.5	18665	567	106	0.95	GK159R99 GKF159R99 GKA159R99 GKAF159R99	4P	52	966	27.87	23	2.50		4P			
2.9	16591	504	107	1.05				32	1559	44.98	14	0.95		GK79		
3.3	14287	434	108	1.25				36	1382	39.88	15	1.05		GKF79		
3.8	12476	379	109	1.45				47	1066	30.76	17	1.35		GKA79		
4.3	10962	333	109	1.60				49	1010	29.15	17	1.45	GKAF79			
3.4	13826	420	74	0.95			GK129R89 GKF129R89 GKA129R89 GKAF129R89	4P	56	884	25.51	18	1.65		4P	
3.9	12114	368	76	1.05						63	796	22.98	18	1.85		GK79
4.4	10896	331	76	1.20						71	699	20.16	18	2.00		GKF79
5.0	9448	287	77	1.35		81			616	17.79	18	2.20	GKA79			
5.7	8362	254	77	1.55		91			546	15.77	18	2.40	GKAF79			
6.8	7012	213	78	1.85		107			467	13.47	18	2.70				
7.2	6617	201	78	1.95		115			432	12.48	17	2.20				
8.6	5498	167	78	2.35		132			379	10.95	17	2.50				
9.8	4839	147	78	2.70			60	831	23.99	9.2	0.90					
6.5	7308	222	62	1.10	GK109R79 GKF109R79 GKA109R79 GKAF109R79	4P	64	785	22.66	10	0.95	GK69	4P			
7.3	6452	196	62	1.25				75	668	19.29	11	1.05		GKF69		
8.3	5728	174	62	1.40				82	607	17.53	11	1.15		GKA69		
9.4	5070	154	62	1.60				95	526	15.19	11	1.25		GKAF69		
10	4609	140	62	1.75				109	458	13.22	12	1.40				
4.8	10424	150.41	109	1.60	GK159 GKF159 GKA159 GKAF159	8P	115	432	12.48	12	1.15	GK69	4P			
5.9	8482	122.39	110	2.00				135	368	10.63	12	1.30		GKF69		
7.2	6946	100.22	110	2.40				149	335	9.66	12	1.35		GKA69		
7.9	6352	91.65	110	2.70				172	290	8.37	11	1.45		GKAF69		
5.3	9435	136.14	77	1.30				198	252	7.28	11	1.55				
5.9	8488	122.48	77	1.45	GK129 GKF129 GKA129 GKAF129	8P										
6.5	7636	110.18	77	1.60												
8.0	6230	89.89	78	1.95												

选型参数表
(恒功率) 5.5kW-7.5kW
Selection Table
(Constant Power) 5.5kW-7.5kW

n_a [r/min]	M_a [Nm]	i	F_{Ra} [kN]	f_B	机型号 Type size	极数 Pole	n_a [r/min]	M_a [Nm]	i	F_{Ra} [kN]	f_B	机型号 Type size	极数 Pole		
5.5kW							7.5kW								
82	609	17.57	4.8	0.85	GK59 GKF59 GKA59 GKAF59	4P	16	4248	89.89	78	2.90	GK129	4P		
95	527	15.22	4.9	0.95			18	3874	81.98	78	3.20	GKF129			
109	459	13.25	5.0	1.05			20	3353	70.95	78	3.70	GKA129			
121	413	11.92	4.7	0.95								GKAF129			
128	390	11.26	4.7	1.00											
150	332	9.59	4.7	1.15					10	6779	143.47	62	1.10	GK109	4P
165	302	8.71	4.7	1.20					12	5739	121.46	62	1.30	GKF109	
191	262	7.55	4.7	1.30					13	5312	112.41	62	1.40	GKA109	
219	228	6.57	4.7	1.45										GKAF109	
7.5kW							14	4761	100.75	62	1.60	GK109 GKF109 GKA109 GKAF109	4P		
1.7	37483	835	171	1.30	GK189R109	4P	16	4298	90.96	61	1.75				
2.0	32725	729	171	1.50	GKA189R109		20	3464	73.30	59	2.20				
2.3	27922	622	171	1.75			22	3143	66.52	58	2.40				
1.2	53688	1196	163	0.90	GK189R99 GKA189R99	4P	25	2701	57.17	56	2.80				
1.4	46955	1046	171	1.05			29	2358	49.90	55	3.10				
1.5	42421	945	171	1.15			34	2000	42.33	53	3.50				
2.0	33129	738	171	1.45			39	1748	37.00	51	3.90				
2.3	27877	621	171	1.75											
2.7	23657	527	171	2.10			15	4574	96.80	36	0.90	GK99 GKF99 GKA99 GKAF99	4P		
1.7	37887	844	135	0.85	GK169R99 GKA169R99	4P	17	4088	86.52	36	1.00				
1.9	33982	757	135	0.90			18	3681	77.89	36	1.10				
2.3	28370	632	135	1.10			20	3333	70.54	36	1.20				
2.6	25183	561	135	1.25			23	2956	62.55	36	1.35				
3.0	21592	481	135	1.45					25	2672	56.55	35	1.50		
3.4	18988	423	135	1.65			30	2265	47.93	35	1.80	GK99 GKF99 GKA99 GKAF99	4P		
3.9	16564	369	135	1.90			34	1978	41.87	34	2.00				
3.3	19482	434	106	0.95	GK159R99 GKF159R99 GKA159R99 GKAF159R99	4P	38	1809	38.29	33	2.20				
3.8	17013	379	107	1.05			42	1617	34.22	33	2.50				
4.3	14948	333	108	1.20					23	2977	63.00	23	0.85	GK89 GKF89 GKA89 GKAF89	4P
4.9	13063	291	108	1.40					25	2676	56.64	23	0.95		
4.4	14859	331	72	0.90	GK129R89 GKF129R89 GKA129R89 GKAF129R89	4P	29	2323	49.16	23	1.10				
5.0	12883	287	75	1.00			33	2080	44.02	23	1.20				
5.7	11402	254	76	1.15			39	1726	36.52	23	1.35				
6.8	9562	213	77	1.35					46	1483	31.38	22	1.70		
7.2	9023	201	77	1.45					52	1317	27.87	22	1.85		
8.6	7497	167	78	1.75			58	1178	24.92	22	2.00	GK89 GKF89 GKA89 GKAF89	4P		
9.8	6599	147	78	2.00			64	1058	22.40	21	2.00				
4.4	15546	164.50	135	1.95	GK169 GKA169	8P	74	919	19.45	21	2.40				
5.3	12757	134.99	135	2.40					83	823	17.41			20	2.50
5.9	11539	164.50	135	2.60	GK169 GKA169	6P	90	756	16.00	20	2.20				
7.2	9469	134.99	135	3.20					100	682	14.44	20	2.90		
6.4	10551	150.41	109	1.60	GK159 GKF159 GKA159 GKAF159	6P	47	1453	30.76	15	1.00	GK79 GKF79 GKA79 GKAF79	4P		
7.9	8585	122.39	110	1.95			49	1377	29.15	15	1.05				
9.7	7030	100.22	110	2.40			56	1205	25.51	16	1.20				
11	6429	91.65	110	2.60			63	1086	22.98	17	1.35				
12	5594	79.75	110	3.00			71	953	20.16	17	1.50				
7	9550	136.14	77	1.30	GK129 GKF129 GKA129 GKAF129	6P	81	841	17.79	18	1.60				
8	8592	122.48	77	1.40			91	745	15.77	17	1.75				
9	7729	110.18	77	1.60			107	636	13.47	17	2.00				
11	6306	89.89	78	1.95			115	590	12.48	16	1.60				
9.9	6902	146.07	78	1.80	GK129 GKF129 GKA129 GKAF129	4P	132	517	10.95	16	1.80				
11	6433	136.14	78	1.90			149	456	9.66	15	1.95				
12	5787	122.48	78	2.10			168	405	8.57	15	2.10				
13	5206	110.18	78	2.40			197	345	7.31	15	2.30				

选型参数表

(恒功率) 11kW-15kW

Selection Table

(Constant Power) 11kW-15kW

n _a [r/min]	M _a [Nm]	i	F _{Ra} [kN]	f _B	机型号 Type size	极数 Pole	n _a [r/min]	M _a [Nm]	i	F _{Ra} [kN]	f _B	机型号 Type size	极数 Pole
11kW							11kW						
1.7	54222	835	162	0.90			34	2893	42.33	50	2.40	GK109	
2.0	47339	729	171	1.05			39	2529	37.00	49	2.70	GKF109	4P
2.3	40391	622	171	1.20	GK189R109	4P						GKA109	
2.8	33767	520	171	1.45	GKA189R109							GKAF109	
3.2	29481	454	171	1.65			21	4822	70.54	31	0.85	GK99	
4.1	23053	355	171	2.10			23	4276	62.55	31	0.95	GKF99	4P
2.0	47923	738	171	1.00	GK189R99	4P	26	3865	56.55	31	1.05	GKA99	
2.4	40326	621	171	1.20	GKA189R99		30	3276	47.93	31	1.25	GKAF99	
2.8	34222	527	171	1.40			35	2862	41.87	31	1.40		
4.6	20585	317	135	1.50			38	2617	38.29	30	1.55	GK99	
5.3	17987	277	135	1.70	GK169R109	4P	43	2339	34.22	30	1.70	GKF99	4P
6.0	15845	244	135	1.95	GKA169R109		47	2106	30.81	30	1.90	GKA99	
6.9	13832	213	135	2.30			52	1907	27.90	29	2.10	GKAF99	
7.1	13312	205	135	2.30			59	1691	24.74	29	2.40		
2.6	36430	561	135	0.85			65	1529	22.37	28	2.60		
3.0	31235	481	135	1.00	GK169R99	4P	33	3009	44.02	19	0.80	GK89	
3.5	27468	423	135	1.15	GKA169R99		40	2496	36.52	19	0.95	GKF89	4P
4.0	23962	369	135	1.30			47	2145	31.38	20	1.20	GKA89	
					GK159R99		52	1905	27.87	20	1.30	GKAF89	
4.4	21624	333	104	0.80	GKF159R99	4P	59	1703	24.92	19	1.40		
5.0	18897	291	106	0.95	GKA159R99		65	1531	22.40	19	1.40		
					GKAF159R99		75	1329	19.45	19	1.60		
6.9	13832	213	74	0.95	GK129R89		84	1190	17.41	19	1.75		
7.3	13052	201	75	1.00	GKF129R89	4P	91	1094	16.00	18	1.55	GK89	
8.7	10844	167	76	1.20	GKA129R89		101	987	14.44	18	2.00	GKF89	4P
9.9	9546	147	77	1.35	GKAF129R89		116	859	12.56	18	2.20	GKA89	
5.4	18454	134.99	135	1.60	GK169	8P	131	763	11.16	17	1.85	GKAF89	
6.6	15015	109.83	135	2.00	GKA169		146	684	10.00	17	2.10		
5.9	16924	164.50	135	1.80	GK169	6P	176	567	8.29	16	2.30		
7.2	13888	134.99	135	2.20	GKA169		202	493	7.21	16	2.50		
8.9	11244	164.50	135	2.70	GK169	4P	64	1571	22.98	14	0.90		
11	9227	134.99	135	3.30	GKA169		72	1378	20.16	15	1.00		
6.0	16732	122.39	107	1.00	GK159		82	1216	17.79	16	1.10		
7.3	13701	100.22	108	1.25	GKF159	8P	93	1078	15.77	16	1.20	GK79	
8.0	12529	91.65	108	1.35	GKA159		108	921	13.47	15	1.35	GKF79	4P
9.2	10903	79.75	109	1.55	GKAF159		117	853	12.48	15	1.10	GKA79	
6.4	15475	150.41	107	1.10	GK159		133	748	10.95	15	1.25	GKAF79	
7.9	12592	122.39	108	1.35	GKF159	6P	151	660	9.66	14	1.35		
9.7	10311	100.22	109	1.65	GKA159		170	586	8.57	14	1.45		
10.6	9429	91.65	110	1.80	GKAF159		200	500	7.31	14	1.55		
12.2	8205	79.75	110	2.10			15kW						
9.7	10281	150.41	109	1.65	GK159		2.3	55078	622	161	0.90		
12	8366	122.39	110	2.00	GKF159	4P	2.8	46046	520	171	1.05	GK189R109	4P
15	6850	100.22	110	2.50	GKA159		3.2	40202	454	171	1.20	GKA189R109	
16	6265	91.65	110	2.70	GKAF159		4.1	31435	355	171	1.55		
11	9306	136.14	77	1.30			5.6	23112	261	171	2.10		
12	8372	122.48	77	1.45	GK129		4.6	28070	317	135	1.10		
13	7531	110.18	77	1.60	GKF129	4P	5.3	24528	277	135	1.30		
16	6144	89.89	78	2.00	GKA129		6.0	21606	244	135	1.45	GK169R109	4P
18	5604	81.98	78	2.20	GKAF129		6.9	18861	213	135	1.65	GKA169R109	
21	4850	70.95	78	2.50			7.1	18153	205	135	1.75		
13	7684	112.41	55	1.00	GK109		8.1	15939	180	135	1.95		
14	6887	100.75	55	1.10	GKF109	4P	9.2	14079	159	135	2.20		
16	6218	90.96	55	1.20	GKA109		6.3	20367	230	105	0.85		
18	5647	82.61	55	1.35	GKAF109		6.9	18861	213	106	0.95	GK159R109	
20	5010	73.30	54	1.50	GK109		7.8	16559	187	107	1.05	GKF159R109	4P
22	4547	66.52	53	1.65	GKF109	4P	9.3	13902	157	108	1.30	GKA159R109	
26	3908	57.17	52	1.90	GKA109		12	10803	122	109	1.65	GKAF159R109	
29	3411	49.90	51	2.20	GKAF109		14	9475	107	110	1.90		

选型参数表
(恒功率) 15kW-18.5kW
Selection Table
(Constant Power) 15kW-18.5kW

n_a [r/min]	M_a [Nm]	i	F_{Ra} [kN]	f_B	机型号 Type size	极数 Pole	n_a [r/min]	M_a [Nm]	i	F_{Ra} [kN]	f_B	机型号 Type size	极数 Pole																																																																																																																																																																																																																																																																																																																																																																																																																																			
15kW							15kW																																																																																																																																																																																																																																																																																																																																																																																																																																									
5.4	25234	179.86	171	1.90	GK189	6P	146	932	10.00	16	1.55	GK89	4P																																																																																																																																																																																																																																																																																																																																																																																																																																			
5.9	23178	165.21	171	2.10	GKA189		7.2	18939	134.99	135	1.60	GK169		6P	176	773	8.29	15	1.70	GKF89	8.8	15409	109.83	135	1.95	GKA169	8.9	15333	164.50	135	2.00	GK169	4P	202	672	7.21	15	1.85	GKA89	11	12583	134.99	135	2.40	GKA169	18.5kW							18.5kW							7.9	17171	122.39	107	1.00	GK159	6P	2.8	56404	520	159	0.85	GK189R109 GKA189R109	4P	9.7	14061	100.22	108	1.20	GKF159	11	12858	91.65	108	1.35	GKA159	12	11189	79.75	109	1.55	GKAF159	14	9874	70.38	109	1.75		9.7	14020	150.41	108	1.20	GK159	4P	3.2	49245	454	171	1.00	12	11408	122.39	109	1.50	GKF159	15	9342	100.22	108	1.85	GKA159	16	8543	91.65	107	2.00	GKAF159	18	7434	79.75	104	2.30		11	12690	136.14	75	0.95	GK129	4P	4.1	38506	355	171	1.25	12	11416	122.48	76	1.10	GKF129	13	10270	110.18	76	1.20	GKA129	16	8379	89.89	77	1.45	GKAF129	4P	5.6	28310	261	171	1.70	18	7641	81.98	77	1.60	GK129	21	6613	70.95	78	1.85	GKF129	23	5835	62.60	76	2.10	GKA129	27	5040	54.07	74	2.50	GKAF129	31	4457	47.82	72	2.80		16	8478	90.96	48	0.90	GK109	4P	6.7	23972	221	171	2.00	18	7700	82.61	49	1.00	GKF109	20	6832	73.30	49	1.10	GKA109	22	6200	66.52	48	1.25	GKAF109	26	5329	57.17	48	1.45		4P	4.6	34385	317	135	0.90	29	4651	49.90	48	1.60	GK109	34	3946	42.33	47	1.75	GKF109	39	3449	37.00	46	2.00	GKA109	45	3046	32.68	45	2.20	GKAF109	47	2916	31.28	44	2.20		50	2702	28.99	44	2.50		4P	5.3	30046	277	135	1.05	30	4468	47.93	27	0.90	GK99	35	3903	41.87	27	1.05	GKF99	38	3569	38.29	27	1.15	GKA99	43	3190	34.22	27	1.30	GKAF99	47	2872	30.81	27	1.40		52	2601	27.90	27	1.55	GK99	4P	6.0	26466	244	135	1.20	59	2306	24.74	27	1.75	GKF99	65	2085	22.37	26	1.95	GKA99	77	1767	18.96	26	2.30	GKAF99	88	1544	16.56	25	2.70		47	2925	31.38	16	0.90		4P	6.9	23104	213	135	1.35	52	2598	27.87	17	0.95	GK89	59	2323	24.92	17	1.00	GKF89	65	2088	22.40	17	1.05	GKA89	75	1813	19.45	17	1.20	GKAF89	84	1623	17.41	17	1.30		91	1491	16.00	16	1.15	GK89	4P	7.2	22236	205	135	1.40	101	1346	14.44	17	1.50	GKF89	116	1171	12.56	17	1.60	GKA89	131	1040	11.16	16	1.35	GKAF89											
7.2	18939	134.99	135	1.60	GK169	6P	176	773	8.29	15	1.70	GKF89																																																																																																																																																																																																																																																																																																																																																																																																																																				
8.8	15409	109.83	135	1.95	GKA169		8.9	15333	164.50	135	2.00	GK169		4P	202	672	7.21	15	1.85	GKA89	11	12583	134.99	135	2.40	GKA169	18.5kW							18.5kW							7.9	17171	122.39	107	1.00	GK159	6P	2.8	56404	520	159	0.85	GK189R109 GKA189R109	4P	9.7	14061	100.22	108	1.20	GKF159	11	12858	91.65	108	1.35		GKA159	12	11189	79.75	109			1.55	GKAF159	14	9874	70.38	109	1.75		9.7	14020	150.41	108	1.20	GK159	4P	3.2	49245	454	171	1.00	12	11408	122.39	109	1.50	GKF159	15	9342	100.22	108		1.85	GKA159	16	8543	91.65	107	2.00	GKAF159	18	7434	79.75	104	2.30		11	12690	136.14	75	0.95	GK129	4P	4.1	38506	355	171	1.25	12	11416	122.48	76	1.10	GKF129	13	10270	110.18		76	1.20	GKA129	16	8379	89.89	77	1.45	GKAF129	4P	5.6	28310	261	171	1.70	18	7641	81.98	77	1.60	GK129	21	6613		70.95	78	1.85	GKF129	23	5835	62.60	76	2.10	GKA129	27	5040	54.07	74	2.50	GKAF129	31	4457	47.82	72	2.80		16	8478	90.96	48	0.90	GK109	4P	6.7	23972	221	171	2.00	18	7700	82.61	49	1.00	GKF109	20		6832	73.30	49	1.10	GKA109	22	6200	66.52	48	1.25	GKAF109	26	5329	57.17	48	1.45		4P	4.6	34385	317	135	0.90	29	4651	49.90	48	1.60	GK109		34	3946	42.33	47	1.75	GKF109	39	3449	37.00	46	2.00	GKA109	45	3046	32.68	45	2.20	GKAF109	47	2916	31.28	44	2.20		50	2702	28.99	44	2.50		4P	5.3	30046	277	135	1.05	30	4468	47.93	27	0.90		GK99	35	3903	41.87	27	1.05	GKF99	38	3569	38.29	27	1.15	GKA99	43	3190	34.22	27	1.30	GKAF99	47	2872	30.81	27	1.40		52	2601	27.90	27	1.55	GK99	4P	6.0	26466	244	135	1.20	59	2306	24.74	27		1.75	GKF99	65	2085	22.37	26	1.95	GKA99	77	1767	18.96	26	2.30	GKAF99	88	1544	16.56	25	2.70		47	2925	31.38	16	0.90		4P	6.9	23104	213	135	1.35	52	2598	27.87		17	0.95	GK89	59	2323	24.92	17	1.00	GKF89	65	2088	22.40	17	1.05	GKA89	75	1813	19.45	17	1.20	GKAF89	84	1623	17.41	17	1.30		91	1491	16.00	16	1.15	GK89	4P	7.2	22236	205	135	1.40	101	1346		14.44	17	1.50	GKF89	116	1171	12.56	17	1.60	GKA89	131	1040	11.16	16	1.35	GKAF89																		
8.9	15333	164.50	135	2.00	GK169	4P	202	672	7.21	15	1.85	GKA89																																																																																																																																																																																																																																																																																																																																																																																																																																				
11	12583	134.99	135	2.40	GKA169		18.5kW							18.5kW							7.9	17171	122.39	107	1.00	GK159	6P	2.8	56404	520	159	0.85	GK189R109 GKA189R109	4P	9.7	14061	100.22	108	1.20	GKF159	11	12858	91.65	108	1.35	GKA159		12	11189	79.75	109	1.55			GKAF159	14	9874	70.38	109	1.75		9.7	14020	150.41	108		1.20	GK159	4P	3.2	49245	454	171	1.00	12	11408	122.39	109	1.50	GKF159	15	9342	100.22	108	1.85	GKA159	16		8543	91.65	107	2.00	GKAF159	18	7434	79.75	104	2.30		11	12690	136.14	75		0.95	GK129	4P	4.1	38506	355	171	1.25	12	11416	122.48	76	1.10	GKF129	13	10270	110.18	76	1.20	GKA129		16	8379	89.89	77	1.45	GKAF129	4P	5.6	28310	261	171	1.70	18	7641	81.98	77	1.60	GK129	21	6613	70.95	78	1.85	GKF129		23	5835	62.60	76	2.10	GKA129	27	5040	54.07	74	2.50	GKAF129	31		4457	47.82	72	2.80		16	8478	90.96	48	0.90	GK109	4P	6.7	23972	221	171	2.00	18	7700	82.61	49	1.00	GKF109	20	6832	73.30	49	1.10		GKA109	22	6200	66.52	48	1.25	GKAF109	26	5329	57.17	48	1.45		4P	4.6	34385	317	135	0.90	29	4651	49.90	48	1.60	GK109	34	3946	42.33	47	1.75		GKF109	39	3449	37.00	46	2.00	GKA109	45	3046	32.68	45		2.20	GKAF109	47	2916	31.28	44	2.20		50	2702	28.99	44	2.50		4P	5.3	30046	277	135	1.05	30	4468	47.93	27	0.90	GK99	35	3903	41.87	27		1.05	GKF99	38	3569	38.29	27	1.15	GKA99	43	3190		34.22	27	1.30	GKAF99	47	2872	30.81	27	1.40		52	2601	27.90	27	1.55	GK99	4P	6.0	26466	244	135	1.20	59	2306	24.74	27	1.75	GKF99	65	2085	22.37		26	1.95	GKA99	77	1767	18.96	26	2.30	GKAF99		88	1544	16.56	25	2.70		47	2925	31.38	16	0.90		4P	6.9	23104	213	135	1.35	52	2598	27.87	17	0.95	GK89	59	2323		24.92	17	1.00	GKF89	65	2088	22.40	17		1.05	GKA89	75	1813	19.45	17	1.20	GKAF89	84	1623	17.41	17	1.30		91	1491	16.00	16	1.15	GK89	4P	7.2	22236	205	135	1.40	101	1346	14.44	17	1.50	GKF89	116		1171	12.56	17	1.60	GKA89	131	1040		11.16	16	1.35	GKAF89																														
18.5kW							18.5kW																																																																																																																																																																																																																																																																																																																																																																																																																																									
7.9	17171	122.39	107	1.00	GK159	6P	2.8	56404	520	159	0.85	GK189R109 GKA189R109	4P																																																																																																																																																																																																																																																																																																																																																																																																																																			
9.7	14061	100.22	108	1.20	GKF159		11	12858	91.65	108	1.35			GKA159	12	11189	79.75	109	1.55	GKAF159	14	9874	70.38	109	1.75			9.7	14020	150.41	108	1.20			GK159	4P	3.2	49245	454	171	1.00	12	11408	122.39	109	1.50		GKF159	15	9342	100.22	108	1.85	GKA159	16	8543	91.65	107	2.00	GKAF159	18	7434	79.75	104	2.30		11	12690		136.14	75	0.95	GK129	4P	4.1	38506	355	171	1.25	12	11416	122.48	76	1.10	GKF129	13	10270		110.18	76	1.20	GKA129	16	8379	89.89	77	1.45	GKAF129	4P	5.6	28310	261	171	1.70	18	7641	81.98	77	1.60	GK129	21	6613	70.95	78	1.85	GKF129	23	5835	62.60	76	2.10	GKA129	27	5040	54.07	74	2.50	GKAF129	31	4457	47.82		72	2.80		16	8478	90.96	48	0.90	GK109	4P	6.7	23972	221	171	2.00	18	7700		82.61	49	1.00	GKF109	20	6832	73.30	49	1.10	GKA109	22	6200	66.52	48	1.25	GKAF109	26	5329	57.17	48	1.45		4P	4.6	34385		317	135	0.90	29	4651	49.90	48	1.60	GK109	34	3946	42.33	47	1.75	GKF109	39	3449	37.00	46	2.00	GKA109	45	3046	32.68	45	2.20	GKAF109	47	2916	31.28		44	2.20		50	2702	28.99	44	2.50		4P	5.3	30046	277	135	1.05	30		4468	47.93	27	0.90	GK99	35	3903	41.87	27	1.05	GKF99	38	3569	38.29	27	1.15	GKA99	43	3190	34.22	27	1.30	GKAF99	47	2872	30.81		27	1.40		52	2601	27.90	27	1.55	GK99	4P	6.0	26466	244	135	1.20		59	2306	24.74	27	1.75	GKF99	65	2085	22.37	26	1.95	GKA99	77	1767	18.96	26	2.30	GKAF99	88	1544	16.56	25	2.70		47	2925	31.38		16	0.90		4P	6.9	23104	213	135	1.35	52	2598	27.87	17	0.95		GK89	59	2323	24.92	17	1.00	GKF89	65	2088	22.40	17	1.05	GKA89	75	1813	19.45	17	1.20	GKAF89	84	1623	17.41		17	1.30		91	1491	16.00	16	1.15	GK89	4P	7.2	22236	205		135	1.40	101	1346	14.44	17	1.50	GKF89	116	1171	12.56	17	1.60	GKA89	131	1040	11.16	16	1.35	GKAF89																																																																	
11	12858	91.65	108	1.35	GKA159		12	11189	79.75	109	1.55			GKAF159	14	9874	70.38	109	1.75		9.7	14020	150.41	108	1.20	GK159		4P	3.2	49245	454	171	1.00	12	11408		122.39	109	1.50	GKF159	15	9342	100.22	108	1.85	GKA159	16	8543	91.65	107	2.00	GKAF159	18	7434	79.75	104	2.30		11	12690	136.14	75	0.95	GK129	4P	4.1	38506	355		171	1.25	12	11416		122.48	76	1.10	GKF129	13	10270	110.18	76	1.20	GKA129	16	8379	89.89	77	1.45	GKAF129	4P	5.6	28310	261	171	1.70	18	7641		81.98	77	1.60	GK129	21	6613	70.95	78	1.85	GKF129	23	5835	62.60	76	2.10	GKA129	27	5040	54.07	74	2.50	GKAF129	31	4457	47.82	72	2.80		16	8478	90.96	48		0.90	GK109	4P	6.7	23972	221	171	2.00	18		7700	82.61	49	1.00	GKF109	20	6832	73.30	49	1.10	GKA109	22	6200	66.52	48	1.25	GKAF109	26	5329	57.17	48	1.45		4P	4.6	34385	317	135	0.90	29		4651	49.90	48	1.60	GK109	34	3946	42.33	47	1.75	GKF109	39	3449	37.00	46	2.00	GKA109	45	3046	32.68	45	2.20	GKAF109	47	2916	31.28	44	2.20		50	2702	28.99	44		2.50		4P	5.3	30046	277	135	1.05	30		4468	47.93	27	0.90	GK99	35	3903	41.87	27	1.05	GKF99	38	3569	38.29	27	1.15	GKA99	43	3190	34.22	27	1.30	GKAF99	47	2872	30.81	27	1.40		52	2601	27.90	27		1.55	GK99	4P	6.0	26466	244	135	1.20	59		2306	24.74	27	1.75	GKF99	65	2085	22.37	26	1.95	GKA99	77	1767	18.96	26	2.30	GKAF99	88	1544	16.56	25	2.70		47	2925	31.38	16	0.90		4P	6.9	23104	213		135	1.35	52		2598	27.87	17	0.95	GK89	59	2323	24.92	17	1.00	GKF89	65	2088	22.40	17	1.05	GKA89	75	1813	19.45	17	1.20	GKAF89	84	1623	17.41	17	1.30		91	1491	16.00	16		1.15	GK89	4P	7.2	22236	205	135	1.40	101		1346	14.44	17	1.50	GKF89	116	1171	12.56	17	1.60	GKA89	131	1040	11.16	16	1.35	GKAF89																																																																								
12	11189	79.75	109	1.55	GKAF159		14	9874	70.38	109	1.75				9.7	14020	150.41	108	1.20	GK159	4P	3.2	49245	454	171	1.00			12	11408	122.39	109	1.50	GKF159	15		9342	100.22	108	1.85	GKA159	16	8543	91.65	107	2.00	GKAF159	18	7434	79.75	104	2.30		11	12690	136.14	75	0.95	GK129	4P	4.1	38506	355	171		1.25	12	11416		122.48	76	1.10	GKF129		13	10270	110.18	76	1.20	GKA129	16	8379	89.89	77	1.45	GKAF129	4P	5.6	28310	261		171	1.70	18	7641	81.98	77	1.60		GK129	21	6613	70.95	78	1.85	GKF129	23	5835	62.60	76	2.10	GKA129	27	5040	54.07	74	2.50	GKAF129	31	4457	47.82	72	2.80		16	8478	90.96	48	0.90	GK109	4P		6.7	23972		221	171	2.00	18	7700	82.61		49	1.00	GKF109	20	6832	73.30	49	1.10	GKA109	22	6200	66.52	48	1.25	GKAF109	26	5329	57.17	48	1.45		4P	4.6		34385	317	135	0.90	29	4651		49.90	48	1.60	GK109	34	3946	42.33	47	1.75	GKF109	39	3449	37.00	46	2.00	GKA109	45	3046	32.68	45	2.20	GKAF109	47	2916	31.28	44	2.20		50	2702	28.99	44	2.50			4P		5.3	30046	277	135	1.05	30		4468	47.93	27	0.90	GK99	35	3903	41.87	27	1.05	GKF99	38	3569	38.29	27	1.15	GKA99	43	3190	34.22	27	1.30	GKAF99	47	2872	30.81	27	1.40		52	2601	27.90	27		1.55	GK99		4P	6.0	26466	244	135	1.20		59	2306	24.74	27	1.75	GKF99	65	2085	22.37	26	1.95	GKA99	77	1767	18.96	26	2.30	GKAF99	88	1544	16.56	25	2.70		47	2925	31.38	16	0.90			4P	6.9		23104	213	135		1.35	52	2598	27.87	17	0.95	GK89	59	2323	24.92	17	1.00	GKF89	65	2088	22.40	17	1.05	GKA89	75	1813	19.45	17	1.20	GKAF89	84	1623	17.41	17	1.30		91	1491		16.00	16		1.15	GK89	4P	7.2	22236	205		135	1.40	101	1346	14.44	17	1.50	GKF89	116	1171	12.56	17	1.60	GKA89	131	1040	11.16	16	1.35	GKAF89																																																																					
14	9874	70.38	109	1.75			9.7	14020	150.41	108	1.20	GK159	4P	3.2	49245	454	171	1.00	12	11408		122.39	109	1.50	GKF159	15	9342		100.22	108	1.85	GKA159	16	8543	91.65		107	2.00	GKAF159	18	7434	79.75	104	2.30		11	12690	136.14	75	0.95	GK129	4P	4.1	38506	355	171	1.25	12	11416		122.48	76	1.10	GKF129		13	10270	110.18	76	1.20	GKA129	16	8379	89.89	77	1.45	GKAF129	4P	5.6	28310	261	171	1.70	18	7641	81.98		77	1.60	GK129		21	6613	70.95	78	1.85	GKF129	23		5835	62.60	76	2.10	GKA129	27	5040	54.07	74	2.50	GKAF129	31	4457	47.82	72	2.80		16	8478	90.96	48	0.90	GK109	4P	6.7	23972	221	171	2.00	18	7700		82.61	49	1.00		GKF109	20	6832	73.30	49	1.10		GKA109	22	6200	66.52	48	1.25	GKAF109	26	5329	57.17	48	1.45		4P	4.6	34385	317	135	0.90	29	4651		49.90		48	1.60	GK109	34	3946	42.33		47	1.75	GKF109	39	3449	37.00	46	2.00	GKA109	45	3046	32.68	45	2.20	GKAF109	47	2916	31.28	44	2.20		50	2702	28.99	44	2.50		4P	5.3	30046	277	135	1.05	30	4468			47.93	27	0.90	GK99	35	3903		41.87	27	1.05	GKF99	38	3569	38.29	27	1.15	GKA99	43	3190	34.22	27	1.30	GKAF99	47	2872	30.81	27	1.40		52	2601	27.90	27	1.55	GK99	4P	6.0	26466	244	135	1.20	59	2306			24.74	27	1.75	GKF99	65		2085	22.37	26	1.95	GKA99	77	1767	18.96	26	2.30	GKAF99	88	1544	16.56	25	2.70		47	2925	31.38	16	0.90		4P	6.9	23104	213	135	1.35		52		2598	27.87	17	0.95	GK89		59	2323	24.92	17	1.00	GKF89	65	2088	22.40	17	1.05	GKA89	75	1813	19.45	17	1.20	GKAF89	84	1623	17.41	17	1.30		91	1491	16.00	16	1.15	GK89	4P	7.2	22236	205	135	1.40		101	1346		14.44	17	1.50		GKF89	116	1171	12.56	17	1.60	GKA89	131	1040	11.16	16	1.35	GKAF89																																																																												
9.7	14020	150.41	108	1.20	GK159		4P	3.2	49245	454	171	1.00																																																																																																																																																																																																																																																																																																																																																																																																																																				
12	11408	122.39	109	1.50	GKF159	15		9342	100.22	108	1.85	GKA159		16	8543	91.65	107	2.00	GKAF159	18		7434	79.75	104	2.30		11		12690	136.14	75	0.95	GK129	4P	4.1		38506	355	171	1.25	12	11416	122.48	76	1.10	GKF129	13	10270	110.18	76	1.20		GKA129	16	8379	89.89	77	1.45	GKAF129	4P	5.6	28310	261	171	1.70	18	7641	81.98	77	1.60	GK129	21	6613	70.95	78	1.85	GKF129		23	5835	62.60	76	2.10	GKA129	27	5040		54.07	74	2.50		GKAF129	31	4457	47.82	72	2.80			16	8478	90.96	48	0.90	GK109	4P	6.7	23972	221	171	2.00	18	7700	82.61	49	1.00	GKF109	20	6832	73.30	49	1.10		GKA109	22	6200	66.52	48	1.25	GKAF109		26	5329	57.17	48	1.45		4P	4.6	34385	317	135	0.90	29	4651	49.90	48	1.60	GK109	34	3946	42.33	47	1.75	GKF109		39	3449	37.00	46	2.00	GKA109	45		3046		32.68	45	2.20	GKAF109	47	2916		31.28	44	2.20		50	2702	28.99	44	2.50		4P	5.3	30046	277	135	1.05	30	4468	47.93	27	0.90	GK99	35	3903	41.87	27	1.05		GKF99	38	3569	38.29	27	1.15	GKA99			43	3190	34.22	27	1.30	GKAF99		47	2872	30.81	27	1.40		52	2601	27.90	27	1.55	GK99	4P	6.0	26466	244	135	1.20	59	2306	24.74	27	1.75	GKF99	65	2085	22.37	26		1.95	GKA99	77	1767	18.96	26	2.30			GKAF99	88	1544	16.56	25		2.70		47	2925	31.38	16	0.90		4P	6.9	23104	213	135	1.35	52	2598	27.87	17	0.95	GK89	59	2323	24.92		17	1.00	GKF89	65	2088		22.40		17	1.05	GKA89	75	1813		19.45	17	1.20	GKAF89	84	1623	17.41	17	1.30		91	1491	16.00	16	1.15	GK89	4P	7.2	22236	205	135	1.40	101	1346	14.44	17	1.50	GKF89	116	1171		12.56	17	1.60	GKA89	131		1040	11.16		16	1.35	GKAF89																																																																																										
15	9342	100.22	108	1.85	GKA159	16		8543	91.65	107	2.00	GKAF159		18	7434	79.75	104	2.30		11		12690	136.14	75	0.95	GK129	4P		4.1	38506	355	171	1.25		12	11416	122.48	76	1.10	GKF129	13	10270	110.18	76	1.20	GKA129	16	8379	89.89	77	1.45	GKAF129	4P	5.6	28310	261	171	1.70	18		7641	81.98	77	1.60	GK129	21	6613	70.95	78	1.85	GKF129	23	5835	62.60	76	2.10	GKA129		27	5040	54.07	74	2.50	GKAF129	31	4457		47.82	72	2.80			16	8478	90.96	48	0.90	GK109	4P	6.7	23972	221	171	2.00	18		7700	82.61	49	1.00	GKF109	20	6832	73.30	49	1.10	GKA109	22	6200	66.52	48	1.25		GKAF109	26	5329	57.17	48	1.45		4P	4.6	34385	317	135	0.90	29		4651	49.90	48	1.60	GK109	34	3946	42.33	47	1.75	GKF109	39	3449	37.00	46	2.00	GKA109		45	3046	32.68	45	2.20	GKAF109	47		2916		31.28	44	2.20		50	2702	28.99	44	2.50		4P	5.3	30046	277	135	1.05	30		4468	47.93	27	0.90	GK99	35	3903	41.87	27	1.05	GKF99	38	3569	38.29	27	1.15		GKA99	43	3190	34.22	27	1.30	GKAF99			47	2872	30.81	27	1.40		52	2601	27.90	27	1.55	GK99	4P	6.0	26466	244	135	1.20	59		2306	24.74	27	1.75	GKF99	65	2085	22.37	26	1.95	GKA99	77	1767	18.96	26		2.30	GKAF99	88	1544	16.56	25	2.70				47	2925	31.38	16	0.90		4P	6.9	23104	213	135	1.35	52		2598	27.87	17	0.95	GK89	59	2323	24.92	17	1.00	GKF89	65	2088	22.40		17	1.05	GKA89	75	1813		19.45		17	1.20	GKAF89	84	1623	17.41	17	1.30		91	1491	16.00	16	1.15	GK89	4P	7.2	22236	205	135	1.40	101		1346	14.44	17	1.50	GKF89	116	1171	12.56	17	1.60	GKA89	131	1040		11.16	16	1.35	GKAF89																																																																																																		
16	8543	91.65	107	2.00	GKAF159	18		7434	79.75	104	2.30			11	12690	136.14	75	0.95	GK129	4P		4.1	38506	355	171	1.25		12	11416	122.48	76	1.10	GKF129		13	10270	110.18	76	1.20	GKA129	16	8379	89.89	77	1.45	GKAF129	4P	5.6	28310	261	171	1.70		18	7641	81.98	77	1.60	GK129		21	6613	70.95	78	1.85	GKF129	23	5835	62.60	76	2.10	GKA129	27	5040	54.07	74	2.50		GKAF129	31	4457	47.82	72	2.80		16		8478	90.96	48	0.90	GK109	4P	6.7	23972	221	171	2.00		18	7700	82.61	49	1.00	GKF109		20	6832	73.30	49	1.10	GKA109	22	6200	66.52	48	1.25	GKAF109	26	5329	57.17	48	1.45		4P	4.6	34385	317	135	0.90		29	4651	49.90	48	1.60	GK109		34	3946	42.33	47	1.75	GKF109	39	3449	37.00	46	2.00	GKA109	45	3046	32.68	45	2.20		GKAF109	47	2916	31.28	44	2.20			50	2702	28.99	44	2.50		4P	5.3	30046	277	135	1.05		30	4468	47.93	27	0.90	GK99		35	3903	41.87	27	1.05	GKF99	38	3569	38.29	27	1.15	GKA99	43	3190	34.22	27		1.30	GKAF99	47	2872	30.81	27	1.40			52	2601	27.90	27	1.55	GK99	4P	6.0	26466	244	135	1.20		59	2306	24.74	27	1.75	GKF99		65	2085	22.37	26	1.95	GKA99	77	1767	18.96	26	2.30	GKAF99	88	1544	16.56		25	2.70		47	2925	31.38	16	0.90			4P	6.9	23104	213	135	1.35		52	2598	27.87	17	0.95	GK89		59	2323	24.92	17	1.00	GKF89	65	2088	22.40	17	1.05	GKA89	75	1813		19.45	17	1.20	GKAF89	84	1623	17.41		17	1.30		91	1491	16.00	16	1.15	GK89	4P	7.2	22236	205	135	1.40		101	1346	14.44	17	1.50	GKF89		116	1171	12.56	17	1.60	GKA89	131	1040	11.16	16	1.35	GKAF89																																																																																																								
18	7434	79.75	104	2.30		11		12690	136.14	75	0.95	GK129		4P	4.1	38506	355	171	1.25		12	11416	122.48	76	1.10	GKF129		13	10270	110.18	76	1.20	GKA129	16	8379	89.89	77	1.45	GKAF129	4P	5.6	28310	261	171	1.70	18		7641	81.98	77	1.60	GK129		21	6613	70.95	78	1.85	GKF129		23	5835	62.60	76	2.10	GKA129	27	5040	54.07	74	2.50	GKAF129	31	4457	47.82	72	2.80			16	8478	90.96	48	0.90	GK109	4P	6.7	23972	221	171	2.00	18		7700	82.61	49	1.00	GKF109		20	6832	73.30	49	1.10	GKA109		22	6200	66.52	48	1.25	GKAF109	26	5329	57.17	48	1.45		4P	4.6	34385	317	135	0.90		29	4651	49.90	48	1.60		GK109	34	3946	42.33	47	1.75		GKF109	39	3449	37.00	46	2.00	GKA109	45	3046	32.68	45	2.20	GKAF109	47	2916	31.28	44		2.20		50	2702	28.99	44	2.50		4P	5.3	30046	277	135	1.05		30	4468	47.93	27	0.90		GK99	35	3903	41.87	27	1.05		GKF99	38	3569	38.29	27	1.15	GKA99	43	3190	34.22	27	1.30	GKAF99	47	2872	30.81		27	1.40		52	2601	27.90	27	1.55	GK99	4P	6.0	26466	244	135	1.20		59	2306	24.74	27	1.75		GKF99	65	2085	22.37	26	1.95		GKA99	77	1767	18.96	26	2.30	GKAF99	88	1544	16.56	25	2.70		47	2925		31.38	16	0.90		4P	6.9	23104	213	135	1.35		52	2598	27.87	17	0.95		GK89	59	2323	24.92	17	1.00		GKF89	65	2088	22.40	17	1.05	GKA89	75	1813	19.45	17	1.20	GKAF89	84		1623	17.41	17	1.30		91	1491	16.00	16	1.15	GK89	4P	7.2	22236	205	135	1.40		101	1346	14.44	17	1.50		GKF89	116	1171	12.56	17	1.60		GKA89	131	1040	11.16	16	1.35	GKAF89																																																																																																													
11	12690	136.14	75	0.95	GK129	4P		4.1	38506	355	171	1.25																																																																																																																																																																																																																																																																																																																																																																																																																																				
12	11416	122.48	76	1.10	GKF129		13	10270	110.18	76	1.20	GKA129	16		8379	89.89	77	1.45	GKAF129	4P	5.6	28310	261	171	1.70	18	7641	81.98	77	1.60	GK129	21	6613	70.95	78	1.85	GKF129	23	5835		62.60	76	2.10	GKA129	27	5040		54.07	74	2.50	GKAF129	31		4457	47.82	72	2.80		16		8478	90.96	48	0.90	GK109	4P	6.7	23972	221	171	2.00	18	7700	82.61	49	1.00	GKF109	20	6832	73.30	49	1.10	GKA109	22	6200		66.52	48	1.25	GKAF109	26	5329		57.17	48	1.45		4P	4.6	34385	317	135	0.90	29	4651	49.90	48	1.60	GK109	34	3946	42.33	47	1.75	GKF109	39	3449	37.00		46	2.00	GKA109	45	3046		32.68	45	2.20	GKAF109	47		2916	31.28	44	2.20		50		2702	28.99	44	2.50		4P	5.3	30046	277	135	1.05	30	4468	47.93	27	0.90	GK99	35	3903	41.87	27	1.05	GKF99	38	3569	38.29		27	1.15	GKA99	43	3190		34.22	27	1.30	GKAF99	47		2872	30.81	27	1.40		52		2601	27.90	27	1.55	GK99	4P	6.0	26466	244	135	1.20	59	2306	24.74	27	1.75	GKF99	65	2085	22.37	26	1.95	GKA99	77	1767	18.96		26	2.30	GKAF99	88	1544		16.56	25	2.70		47		2925	31.38	16	0.90		4P		6.9	23104	213	135	1.35	52	2598	27.87	17	0.95	GK89	59	2323	24.92	17	1.00	GKF89	65	2088	22.40		17	1.05	GKA89	75	1813		19.45	17	1.20	GKAF89	84		1623	17.41	17	1.30		91		1491	16.00	16	1.15	GK89	4P	7.2	22236	205	135	1.40	101	1346	14.44	17	1.50	GKF89	116	1171	12.56	17	1.60	GKA89	131	1040	11.16		16	1.35	GKAF89																																																																																																																																				
13	10270	110.18	76	1.20	GKA129		16	8379	89.89	77	1.45	GKAF129	4P	5.6	28310	261	171	1.70	18		7641	81.98	77	1.60	GK129	21	6613	70.95	78	1.85	GKF129	23	5835	62.60	76	2.10	GKA129	27	5040		54.07	74	2.50	GKAF129	31	4457		47.82	72	2.80		16		8478	90.96	48	0.90	GK109	4P	6.7	23972	221	171	2.00	18		7700	82.61	49	1.00	GKF109	20	6832	73.30	49	1.10	GKA109	22	6200	66.52	48	1.25	GKAF109	26	5329		57.17	48	1.45		4P	4.6	34385	317	135	0.90	29		4651	49.90	48	1.60	GK109	34	3946	42.33	47	1.75	GKF109	39	3449	37.00	46	2.00	GKA109	45	3046	32.68		45	2.20	GKAF109	47	2916		31.28	44	2.20		50		2702	28.99	44	2.50		4P	5.3	30046	277	135	1.05	30		4468	47.93	27	0.90	GK99	35	3903	41.87	27	1.05	GKF99	38	3569	38.29	27	1.15	GKA99	43	3190	34.22		27	1.30	GKAF99	47	2872		30.81	27	1.40		52		2601	27.90	27	1.55	GK99	4P	6.0	26466	244	135	1.20	59		2306	24.74	27	1.75	GKF99	65	2085	22.37	26	1.95	GKA99	77	1767	18.96	26	2.30	GKAF99	88	1544	16.56		25	2.70		47	2925		31.38	16	0.90		4P		6.9	23104	213	135	1.35		52	2598	27.87	17	0.95	GK89	59	2323	24.92	17	1.00	GKF89	65	2088	22.40	17	1.05	GKA89	75	1813	19.45		17	1.20	GKAF89	84	1623		17.41	17	1.30		91		1491	16.00	16	1.15	GK89	4P	7.2	22236	205	135	1.40	101		1346	14.44	17	1.50	GKF89	116	1171	12.56	17	1.60	GKA89	131	1040	11.16	16	1.35	GKAF89																																																																																																																																											
16	8379	89.89	77	1.45	GKAF129	4P	5.6	28310	261	171	1.70																																																																																																																																																																																																																																																																																																																																																																																																																																					
18	7641	81.98	77	1.60	GK129		21	6613	70.95	78	1.85	GKF129		23	5835	62.60	76	2.10	GKA129		27	5040	54.07	74	2.50	GKAF129	31	4457	47.82	72	2.80		16	8478	90.96	48	0.90	GK109	4P		6.7	23972	221	171	2.00	18	7700	82.61	49	1.00	GKF109	20	6832	73.30	49	1.10	GKA109	22		6200	66.52	48	1.25	GKAF109	26		5329	57.17	48	1.45		4P	4.6	34385	317	135	0.90	29	4651	49.90	48	1.60	GK109	34	3946	42.33	47	1.75	GKF109	39		3449	37.00	46	2.00	GKA109	45		3046	32.68	45	2.20	GKAF109	47	2916	31.28	44	2.20		50	2702	28.99	44	2.50		4P	5.3	30046		277	135	1.05	30	4468	47.93	27	0.90	GK99	35	3903	41.87	27	1.05	GKF99	38	3569		38.29	27	1.15	GKA99	43	3190		34.22	27	1.30	GKAF99	47	2872	30.81	27	1.40		52	2601	27.90	27	1.55	GK99	4P	6.0	26466	244		135	1.20	59	2306	24.74	27	1.75	GKF99	65	2085	22.37	26	1.95	GKA99	77	1767	18.96		26	2.30	GKAF99	88	1544	16.56		25	2.70		47	2925	31.38	16	0.90		4P	6.9	23104	213	135	1.35	52	2598	27.87	17	0.95		GK89	59	2323	24.92	17	1.00	GKF89	65	2088	22.40		17	1.05	GKA89	75	1813	19.45		17	1.20	GKAF89	84	1623	17.41	17	1.30		91	1491	16.00	16	1.15	GK89	4P	7.2	22236	205	135	1.40		101	1346	14.44	17	1.50	GKF89	116	1171	12.56	17	1.60	GKA89	131	1040	11.16	16	1.35		GKAF89																																																																																																																																																																		
21	6613	70.95	78	1.85	GKF129		23	5835	62.60	76	2.10	GKA129		27	5040	54.07	74	2.50	GKAF129		31	4457	47.82	72	2.80		16	8478	90.96	48	0.90	GK109	4P	6.7	23972	221	171	2.00		18	7700	82.61	49	1.00	GKF109	20	6832	73.30	49	1.10	GKA109	22	6200	66.52	48	1.25	GKAF109	26		5329	57.17	48	1.45		4P	4.6	34385	317	135	0.90	29		4651	49.90	48	1.60	GK109	34	3946	42.33	47	1.75	GKF109	39	3449	37.00	46	2.00	GKA109	45		3046	32.68	45	2.20	GKAF109	47		2916	31.28	44	2.20		50	2702	28.99	44	2.50		4P	5.3	30046	277	135	1.05		30	4468	47.93	27	0.90	GK99	35	3903	41.87	27	1.05	GKF99	38	3569	38.29	27	1.15	GKA99	43	3190		34.22	27	1.30	GKAF99	47	2872		30.81	27	1.40		52	2601	27.90	27	1.55	GK99	4P	6.0	26466	244	135	1.20		59	2306	24.74	27	1.75	GKF99	65	2085	22.37	26	1.95	GKA99	77	1767	18.96	26	2.30	GKAF99	88	1544	16.56		25	2.70		47	2925	31.38		16	0.90		4P	6.9	23104	213	135	1.35		52	2598	27.87	17	0.95	GK89	59	2323	24.92	17	1.00	GKF89	65	2088	22.40	17	1.05	GKA89	75	1813	19.45		17	1.20	GKAF89	84	1623	17.41		17	1.30		91	1491	16.00	16	1.15	GK89	4P	7.2	22236	205	135	1.40		101	1346	14.44	17	1.50	GKF89	116	1171	12.56	17	1.60	GKA89	131	1040	11.16	16	1.35	GKAF89																																																																																																																																																																									
23	5835	62.60	76	2.10	GKA129		27	5040	54.07	74	2.50	GKAF129		31	4457	47.82	72	2.80			16	8478	90.96	48	0.90	GK109	4P	6.7	23972	221	171	2.00		18	7700	82.61	49	1.00		GKF109	20	6832	73.30	49	1.10	GKA109	22	6200	66.52	48	1.25	GKAF109	26	5329	57.17	48	1.45		4P	4.6	34385	317	135	0.90		29	4651	49.90	48	1.60	GK109		34	3946	42.33	47	1.75	GKF109	39	3449	37.00	46	2.00	GKA109	45	3046	32.68	45	2.20	GKAF109		47	2916	31.28	44	2.20			50	2702	28.99	44	2.50		4P	5.3	30046	277	135		1.05	30	4468	47.93	27		0.90	GK99	35	3903	41.87	27	1.05	GKF99	38	3569	38.29	27	1.15	GKA99	43	3190	34.22	27	1.30	GKAF99		47	2872	30.81	27	1.40			52	2601	27.90	27	1.55	GK99	4P	6.0	26466	244		135	1.20	59	2306	24.74		27	1.75	GKF99	65	2085	22.37	26	1.95	GKA99	77	1767	18.96	26	2.30	GKAF99	88	1544	16.56	25	2.70			47	2925	31.38	16	0.90			4P	6.9	23104		213	135	1.35	52	2598		27.87	17	0.95	GK89	59	2323	24.92	17	1.00	GKF89	65	2088	22.40	17	1.05	GKA89	75	1813	19.45	17	1.20		GKAF89	84	1623	17.41	17	1.30			91	1491	16.00	16	1.15	GK89	4P	7.2		22236	205	135	1.40	101		1346	14.44	17	1.50	GKF89	116	1171	12.56	17	1.60	GKA89	131	1040	11.16	16	1.35	GKAF89																																																																																																																																																																										
27	5040	54.07	74	2.50	GKAF129		31	4457	47.82	72	2.80			16	8478	90.96	48	0.90	GK109	4P	6.7	23972	221	171	2.00	18		7700	82.61	49	1.00	GKF109		20	6832	73.30	49	1.10		GKA109	22	6200	66.52	48	1.25	GKAF109	26	5329	57.17	48	1.45		4P	4.6	34385	317	135	0.90		29	4651	49.90	48	1.60		GK109	34	3946	42.33	47	1.75		GKF109	39	3449	37.00	46	2.00	GKA109	45	3046	32.68	45	2.20	GKAF109	47	2916	31.28	44	2.20			50	2702	28.99	44	2.50		4P	5.3	30046	277	135	1.05		30	4468	47.93	27		0.90	GK99	35	3903	41.87		27	1.05	GKF99	38	3569	38.29	27	1.15	GKA99	43	3190	34.22	27	1.30	GKAF99	47	2872	30.81	27	1.40			52	2601	27.90	27	1.55	GK99	4P	6.0	26466	244	135	1.20		59	2306	24.74		27	1.75	GKF99	65	2085		22.37	26	1.95	GKA99	77	1767	18.96	26	2.30	GKAF99	88	1544	16.56	25	2.70		47	2925	31.38	16	0.90			4P	6.9	23104	213	135	1.35		52	2598		27.87	17	0.95	GK89	59		2323	24.92	17	1.00	GKF89	65	2088	22.40	17	1.05	GKA89	75	1813	19.45	17	1.20	GKAF89	84	1623	17.41	17		1.30		91	1491	16.00	16	1.15	GK89	4P	7.2	22236	205	135	1.40		101		1346	14.44	17	1.50	GKF89		116	1171	12.56	17	1.60	GKA89	131	1040	11.16	16	1.35	GKAF89																																																																																																																																																																															
31	4457	47.82	72	2.80			16	8478	90.96	48	0.90	GK109	4P	6.7	23972	221	171	2.00	18		7700	82.61	49	1.00	GKF109	20		6832	73.30	49	1.10	GKA109		22	6200	66.52	48	1.25	GKAF109	26	5329	57.17	48	1.45		4P	4.6	34385	317	135	0.90	29		4651	49.90	48	1.60	GK109		34	3946	42.33	47	1.75		GKF109	39	3449	37.00	46	2.00		GKA109	45	3046	32.68	45	2.20	GKAF109	47	2916	31.28	44	2.20		50	2702	28.99	44	2.50		4P	5.3	30046	277	135	1.05	30		4468	47.93	27	0.90	GK99		35	3903	41.87	27		1.05	GKF99	38	3569	38.29		27	1.15	GKA99	43	3190	34.22	27	1.30	GKAF99	47	2872	30.81	27	1.40		52	2601	27.90	27	1.55	GK99	4P	6.0	26466	244	135	1.20	59		2306	24.74	27	1.75	GKF99		65	2085	22.37		26	1.95	GKA99	77	1767		18.96	26	2.30	GKAF99	88	1544	16.56	25	2.70		47	2925	31.38	16	0.90		4P	6.9	23104	213	135	1.35	52		2598	27.87	17	0.95	GK89		59	2323		24.92	17	1.00	GKF89	65		2088	22.40	17	1.05	GKA89	75	1813	19.45	17	1.20	GKAF89	84	1623	17.41	17	1.30		91	1491	16.00	16	1.15	GK89	4P	7.2	22236	205	135	1.40	101		1346	14.44	17	1.50	GKF89		116		1171	12.56	17	1.60	GKA89		131	1040	11.16	16	1.35	GKAF89																																																																																																																																																																																					
16	8478	90.96	48	0.90	GK109	4P	6.7	23972	221	171	2.00																																																																																																																																																																																																																																																																																																																																																																																																																																					
18	7700	82.61	49	1.00	GKF109		20	6832	73.30	49	1.10	GKA109		22	6200	66.52	48	1.25	GKAF109		26	5329	57.17	48	1.45		4P	4.6	34385	317	135	0.90	29	4651	49.90	48	1.60	GK109	34	3946	42.33	47	1.75	GKF109	39		3449	37.00	46	2.00	GKA109	45		3046	32.68	45	2.20	GKAF109		47	2916	31.28	44	2.20			50	2702	28.99	44	2.50		4P	5.3	30046	277	135	1.05	30	4468	47.93	27	0.90	GK99	35	3903	41.87	27	1.05	GKF99	38		3569	38.29	27	1.15	GKA99	43		3190	34.22	27	1.30	GKAF99		47	2872	30.81	27		1.40		52	2601	27.90	27	1.55	GK99	4P	6.0	26466	244	135	1.20	59	2306	24.74	27	1.75	GKF99	65	2085	22.37	26	1.95	GKA99	77		1767	18.96	26	2.30	GKAF99	88		1544	16.56	25	2.70			47	2925	31.38		16	0.90		4P	6.9	23104	213	135	1.35	52	2598	27.87	17	0.95	GK89	59	2323	24.92	17	1.00	GKF89	65		2088	22.40	17	1.05	GKA89	75		1813	19.45	17	1.20	GKAF89		84	1623		17.41	17	1.30		91	1491	16.00	16	1.15	GK89	4P	7.2	22236	205	135	1.40	101	1346	14.44	17	1.50	GKF89	116	1171	12.56	17	1.60	GKA89	131		1040	11.16	16	1.35	GKAF89																																																																																																																																																																																																											
20	6832	73.30	49	1.10	GKA109		22	6200	66.52	48	1.25	GKAF109		26	5329	57.17	48	1.45		4P	4.6	34385	317	135	0.90	29		4651	49.90	48	1.60	GK109	34	3946	42.33	47	1.75	GKF109	39	3449	37.00	46	2.00	GKA109	45		3046	32.68	45	2.20	GKAF109	47		2916	31.28	44	2.20			50	2702	28.99	44	2.50		4P	5.3	30046	277	135	1.05	30		4468	47.93	27	0.90	GK99	35	3903	41.87	27	1.05	GKF99	38	3569	38.29	27	1.15	GKA99	43		3190	34.22	27	1.30	GKAF99	47		2872	30.81	27	1.40			52	2601	27.90	27	1.55	GK99	4P	6.0	26466	244	135	1.20	59		2306	24.74	27	1.75	GKF99	65	2085	22.37	26	1.95	GKA99	77	1767	18.96	26	2.30	GKAF99	88		1544	16.56	25	2.70		47		2925	31.38	16	0.90			4P	6.9	23104	213	135	1.35	52		2598	27.87	17	0.95	GK89	59	2323	24.92	17	1.00	GKF89	65	2088	22.40	17	1.05	GKA89	75		1813	19.45	17	1.20	GKAF89	84		1623	17.41	17	1.30			91	1491	16.00	16	1.15	GK89	4P	7.2	22236	205	135	1.40	101		1346	14.44	17	1.50	GKF89	116	1171	12.56	17	1.60	GKA89	131	1040	11.16	16	1.35	GKAF89																																																																																																																																																																																																																		
22	6200	66.52	48	1.25	GKAF109		26	5329	57.17	48	1.45		4P	4.6	34385	317	135	0.90	29		4651	49.90	48	1.60	GK109	34		3946	42.33	47	1.75	GKF109	39	3449	37.00	46	2.00	GKA109	45	3046	32.68	45	2.20	GKAF109	47		2916	31.28	44	2.20		50		2702	28.99	44	2.50		4P	5.3	30046	277	135	1.05	30		4468	47.93	27	0.90	GK99	35		3903	41.87	27	1.05	GKF99	38	3569	38.29	27	1.15	GKA99	43	3190	34.22	27	1.30	GKAF99	47		2872	30.81	27	1.40		52		2601	27.90	27	1.55	GK99	4P	6.0	26466	244	135	1.20	59		2306	24.74	27	1.75	GKF99	65		2085	22.37	26	1.95	GKA99	77	1767	18.96	26	2.30	GKAF99	88	1544	16.56	25	2.70		47		2925	31.38	16	0.90		4P		6.9	23104	213	135	1.35	52		2598	27.87	17	0.95	GK89	59		2323	24.92	17	1.00	GKF89	65	2088	22.40	17	1.05	GKA89	75	1813	19.45	17	1.20	GKAF89	84		1623	17.41	17	1.30		91		1491	16.00	16	1.15	GK89	4P	7.2	22236	205	135	1.40	101		1346	14.44	17	1.50	GKF89	116		1171	12.56	17	1.60	GKA89	131	1040	11.16	16	1.35	GKAF89																																																																																																																																																																																																																								
26	5329	57.17	48	1.45		4P	4.6	34385	317	135	0.90																																																																																																																																																																																																																																																																																																																																																																																																																																					
29	4651	49.90	48	1.60	GK109		34	3946	42.33	47	1.75	GKF109		39	3449	37.00	46	2.00	GKA109		45	3046	32.68	45	2.20	GKAF109		47	2916	31.28	44	2.20		50	2702	28.99	44	2.50		4P	5.3	30046	277	135	1.05	30	4468	47.93	27	0.90	GK99	35	3903	41.87	27	1.05	GKF99	38		3569	38.29	27	1.15	GKA99	43		3190	34.22	27	1.30	GKAF99	47		2872	30.81	27	1.40		52	2601	27.90	27	1.55	GK99	4P	6.0	26466	244	135	1.20	59	2306	24.74	27	1.75	GKF99	65	2085	22.37	26	1.95	GKA99	77	1767		18.96	26	2.30	GKAF99	88	1544		16.56	25	2.70		47	2925		31.38	16	0.90		4P	6.9	23104	213	135	1.35	52	2598	27.87	17	0.95	GK89	59	2323	24.92	17	1.00	GKF89	65	2088		22.40	17	1.05	GKA89	75	1813	19.45		17	1.20	GKAF89	84	1623	17.41		17	1.30		91	1491	16.00	16	1.15	GK89	4P	7.2	22236	205	135	1.40	101	1346	14.44	17	1.50	GKF89	116	1171	12.56	17	1.60	GKA89	131	1040	11.16	16		1.35	GKAF89																																																																																																																																																																																																																																															
34	3946	42.33	47	1.75	GKF109		39	3449	37.00	46	2.00	GKA109		45	3046	32.68	45	2.20	GKAF109		47	2916	31.28	44	2.20			50	2702	28.99	44	2.50		4P	5.3	30046	277	135	1.05		30	4468	47.93	27	0.90	GK99	35	3903	41.87	27	1.05	GKF99	38	3569	38.29	27	1.15	GKA99		43	3190	34.22	27	1.30	GKAF99		47	2872	30.81	27	1.40			52	2601	27.90	27	1.55	GK99	4P	6.0	26466	244	135		1.20	59	2306	24.74	27	1.75	GKF99	65	2085	22.37	26	1.95	GKA99	77	1767	18.96	26	2.30	GKAF99		88	1544	16.56	25	2.70			47	2925	31.38	16	0.90			4P	6.9	23104	213		135	1.35	52	2598	27.87	17	0.95	GK89	59	2323	24.92	17	1.00	GKF89	65	2088	22.40	17	1.05		GKA89	75	1813	19.45	17	1.20	GKAF89		84	1623	17.41	17	1.30			91	1491	16.00	16	1.15	GK89	4P	7.2	22236		205	135	1.40	101	1346	14.44	17	1.50	GKF89	116	1171	12.56	17	1.60	GKA89	131	1040	11.16	16	1.35	GKAF89																																																																																																																																																																																																																																																		
39	3449	37.00	46	2.00	GKA109		45	3046	32.68	45	2.20	GKAF109		47	2916	31.28	44	2.20			50	2702	28.99	44	2.50		4P	5.3	30046	277	135	1.05	30		4468	47.93	27	0.90	GK99		35	3903	41.87	27	1.05	GKF99	38	3569	38.29	27	1.15	GKA99	43	3190	34.22	27	1.30	GKAF99		47	2872	30.81	27	1.40			52	2601	27.90	27	1.55	GK99	4P	6.0	26466	244	135	1.20	59		2306	24.74	27	1.75		GKF99	65	2085	22.37	26	1.95	GKA99	77	1767	18.96	26	2.30	GKAF99	88	1544	16.56	25	2.70			47	2925	31.38	16	0.90			4P	6.9	23104	213	135	1.35	52		2598	27.87	17		0.95	GK89	59	2323	24.92	17	1.00	GKF89	65	2088	22.40	17	1.05	GKA89	75	1813	19.45	17	1.20		GKAF89	84	1623	17.41	17	1.30			91	1491	16.00	16	1.15	GK89	4P	7.2	22236	205	135	1.40	101		1346	14.44		17	1.50	GKF89	116	1171	12.56	17	1.60	GKA89	131	1040	11.16	16	1.35	GKAF89																																																																																																																																																																																																																																																								
45	3046	32.68	45	2.20	GKAF109		47	2916	31.28	44	2.20			50	2702	28.99	44	2.50		4P	5.3	30046	277	135	1.05	30		4468	47.93	27	0.90	GK99	35		3903	41.87	27	1.05	GKF99		38	3569	38.29	27	1.15	GKA99	43	3190	34.22	27	1.30	GKAF99	47	2872	30.81	27	1.40			52	2601	27.90	27	1.55	GK99	4P	6.0	26466	244	135	1.20	59		2306	24.74	27	1.75	GKF99	65		2085	22.37	26	1.95		GKA99	77	1767	18.96	26	2.30	GKAF99	88	1544	16.56	25	2.70		47	2925	31.38	16	0.90			4P	6.9	23104	213	135	1.35	52		2598	27.87	17	0.95	GK89	59		2323	24.92	17		1.00	GKF89	65	2088	22.40	17	1.05	GKA89	75	1813	19.45	17	1.20	GKAF89	84	1623	17.41	17	1.30			91	1491	16.00	16	1.15	GK89	4P	7.2	22236	205	135	1.40	101		1346	14.44	17	1.50	GKF89	116		1171	12.56		17	1.60	GKA89	131	1040	11.16	16	1.35	GKAF89																																																																																																																																																																																																																																																														
47	2916	31.28	44	2.20			50	2702	28.99	44	2.50		4P	5.3	30046	277	135	1.05	30		4468	47.93	27	0.90	GK99	35		3903	41.87	27	1.05	GKF99	38		3569	38.29	27	1.15	GKA99		43	3190	34.22	27	1.30	GKAF99	47	2872	30.81	27	1.40		52	2601	27.90	27	1.55	GK99	4P	6.0	26466	244	135	1.20	59		2306	24.74	27	1.75	GKF99	65		2085	22.37	26	1.95	GKA99	77		1767	18.96	26	2.30		GKAF99	88	1544	16.56	25	2.70		47	2925	31.38	16	0.90		4P	6.9	23104	213	135	1.35	52		2598	27.87	17	0.95	GK89	59		2323	24.92	17	1.00	GKF89	65		2088	22.40	17		1.05	GKA89	75	1813	19.45	17	1.20	GKAF89	84	1623	17.41	17	1.30		91	1491	16.00	16	1.15	GK89	4P	7.2	22236	205	135	1.40	101		1346	14.44	17	1.50	GKF89	116		1171	12.56	17	1.60	GKA89	131		1040	11.16		16	1.35	GKAF89																																																																																																																																																																																																																																																																				
50	2702	28.99	44	2.50		4P	5.3	30046	277	135	1.05																																																																																																																																																																																																																																																																																																																																																																																																																																					
30	4468	47.93	27	0.90	GK99		35	3903	41.87	27	1.05	GKF99		38	3569	38.29	27	1.15	GKA99		43	3190	34.22	27	1.30	GKAF99		47	2872	30.81	27	1.40			52	2601	27.90	27	1.55	GK99	4P	6.0	26466	244	135	1.20	59	2306	24.74	27	1.75	GKF99	65	2085	22.37	26	1.95	GKA99		77	1767	18.96	26	2.30	GKAF99		88	1544	16.56	25	2.70			47	2925	31.38	16	0.90			4P	6.9	23104	213	135	1.35	52	2598	27.87	17	0.95	GK89	59	2323	24.92	17	1.00	GKF89		65	2088	22.40	17	1.05	GKA89		75	1813	19.45	17	1.20	GKAF89		84	1623	17.41	17	1.30			91	1491	16.00	16	1.15	GK89	4P	7.2	22236	205	135	1.40	101	1346	14.44	17	1.50	GKF89	116	1171	12.56	17	1.60	GKA89		131	1040	11.16	16	1.35	GKAF89																																																																																																																																																																																																																																																																																									
35	3903	41.87	27	1.05	GKF99		38	3569	38.29	27	1.15	GKA99		43	3190	34.22	27	1.30	GKAF99		47	2872	30.81	27	1.40			52	2601	27.90	27	1.55	GK99	4P	6.0	26466	244	135	1.20	59		2306	24.74	27	1.75	GKF99	65	2085	22.37	26	1.95	GKA99	77	1767	18.96	26	2.30	GKAF99		88	1544	16.56	25	2.70			47	2925	31.38	16	0.90			4P	6.9	23104	213	135	1.35	52		2598	27.87	17	0.95	GK89	59	2323	24.92	17	1.00	GKF89	65	2088	22.40	17	1.05	GKA89		75	1813	19.45	17	1.20	GKAF89		84	1623	17.41	17	1.30			91	1491	16.00	16	1.15	GK89	4P	7.2	22236	205	135	1.40	101		1346	14.44	17	1.50	GKF89	116	1171	12.56	17	1.60	GKA89	131	1040	11.16	16	1.35	GKAF89																																																																																																																																																																																																																																																																																																
38	3569	38.29	27	1.15	GKA99		43	3190	34.22	27	1.30	GKAF99		47	2872	30.81	27	1.40			52	2601	27.90	27	1.55	GK99	4P	6.0	26466	244	135	1.20	59		2306	24.74	27	1.75	GKF99	65		2085	22.37	26	1.95	GKA99	77	1767	18.96	26	2.30	GKAF99	88	1544	16.56	25	2.70			47	2925	31.38	16	0.90			4P	6.9	23104	213	135	1.35	52		2598	27.87	17	0.95	GK89	59		2323	24.92	17	1.00	GKF89	65	2088	22.40	17	1.05	GKA89	75	1813	19.45	17	1.20	GKAF89		84	1623	17.41	17	1.30			91	1491	16.00	16	1.15	GK89	4P	7.2	22236	205	135	1.40	101		1346	14.44	17	1.50	GKF89	116		1171	12.56	17	1.60	GKA89	131	1040	11.16	16	1.35	GKAF89																																																																																																																																																																																																																																																																																																						
43	3190	34.22	27	1.30	GKAF99		47	2872	30.81	27	1.40			52	2601	27.90	27	1.55	GK99	4P	6.0	26466	244	135	1.20	59		2306	24.74	27	1.75	GKF99	65		2085	22.37	26	1.95	GKA99	77		1767	18.96	26	2.30	GKAF99	88	1544	16.56	25	2.70		47	2925	31.38	16	0.90			4P	6.9	23104	213	135	1.35	52		2598	27.87	17	0.95	GK89	59		2323	24.92	17	1.00	GKF89	65		2088	22.40	17	1.05	GKA89	75	1813	19.45	17	1.20	GKAF89	84	1623	17.41	17	1.30			91	1491	16.00	16	1.15	GK89	4P	7.2	22236	205	135	1.40	101		1346	14.44	17	1.50	GKF89	116		1171	12.56	17	1.60	GKA89	131		1040	11.16	16	1.35	GKAF89																																																																																																																																																																																																																																																																																																												
47	2872	30.81	27	1.40			52	2601	27.90	27	1.55	GK99	4P	6.0	26466	244	135	1.20	59		2306	24.74	27	1.75	GKF99	65		2085	22.37	26	1.95	GKA99	77		1767	18.96	26	2.30	GKAF99	88		1544	16.56	25	2.70		47	2925	31.38	16	0.90		4P	6.9	23104	213	135	1.35	52		2598	27.87	17	0.95	GK89	59		2323	24.92	17	1.00	GKF89	65		2088	22.40	17	1.05	GKA89	75		1813	19.45	17	1.20	GKAF89	84	1623	17.41	17	1.30		91	1491	16.00	16	1.15	GK89	4P	7.2	22236	205	135	1.40	101		1346	14.44	17	1.50	GKF89	116		1171	12.56	17	1.60	GKA89	131		1040	11.16	16	1.35	GKAF89																																																																																																																																																																																																																																																																																																																			
52	2601	27.90	27	1.55	GK99	4P	6.0	26466	244	135	1.20																																																																																																																																																																																																																																																																																																																																																																																																																																					
59	2306	24.74	27	1.75	GKF99		65	2085	22.37	26	1.95	GKA99		77	1767	18.96	26	2.30	GKAF99		88	1544	16.56	25	2.70			47	2925	31.38	16	0.90			4P	6.9	23104	213	135	1.35	52	2598	27.87	17	0.95	GK89	59	2323	24.92	17	1.00	GKF89		65	2088	22.40	17	1.05	GKA89		75	1813	19.45	17	1.20	GKAF89		84	1623	17.41	17	1.30			91	1491	16.00	16	1.15	GK89	4P	7.2	22236	205	135	1.40	101	1346	14.44	17	1.50	GKF89	116	1171	12.56	17	1.60	GKA89		131	1040	11.16	16	1.35	GKAF89																																																																																																																																																																																																																																																																																																																																							
65	2085	22.37	26	1.95	GKA99		77	1767	18.96	26	2.30	GKAF99		88	1544	16.56	25	2.70			47	2925	31.38	16	0.90			4P	6.9	23104	213	135	1.35	52		2598	27.87	17	0.95	GK89	59	2323	24.92	17	1.00	GKF89	65	2088	22.40	17	1.05	GKA89		75	1813	19.45	17	1.20	GKAF89		84	1623	17.41	17	1.30			91	1491	16.00	16	1.15	GK89	4P	7.2	22236	205	135	1.40	101		1346	14.44	17	1.50	GKF89	116	1171	12.56	17	1.60	GKA89	131	1040	11.16	16	1.35	GKAF89																																																																																																																																																																																																																																																																																																																																														
77	1767	18.96	26	2.30	GKAF99		88	1544	16.56	25	2.70			47	2925	31.38	16	0.90			4P	6.9	23104	213	135	1.35	52		2598	27.87	17	0.95	GK89	59		2323	24.92	17	1.00	GKF89	65	2088	22.40	17	1.05	GKA89	75	1813	19.45	17	1.20	GKAF89		84	1623	17.41	17	1.30			91	1491	16.00	16	1.15	GK89	4P	7.2	22236	205	135	1.40	101		1346	14.44	17	1.50	GKF89	116		1171	12.56	17	1.60	GKA89	131	1040	11.16	16	1.35	GKAF89																																																																																																																																																																																																																																																																																																																																																				
88	1544	16.56	25	2.70			47	2925	31.38	16	0.90			4P	6.9	23104	213	135	1.35	52		2598	27.87	17	0.95	GK89	59		2323	24.92	17	1.00	GKF89	65		2088	22.40	17	1.05	GKA89	75	1813	19.45	17	1.20	GKAF89	84	1623	17.41	17	1.30			91	1491	16.00	16	1.15	GK89	4P	7.2	22236	205	135	1.40	101		1346	14.44	17	1.50	GKF89	116		1171	12.56	17	1.60	GKA89	131		1040	11.16	16	1.35	GKAF89																																																																																																																																																																																																																																																																																																																																																										
47	2925	31.38	16	0.90			4P	6.9	23104	213	135	1.35																																																																																																																																																																																																																																																																																																																																																																																																																																				
52	2598	27.87	17	0.95	GK89	59		2323	24.92	17	1.00	GKF89	65		2088	22.40	17	1.05	GKA89	75		1813	19.45	17	1.20	GKAF89	84		1623	17.41	17	1.30		91		1491	16.00	16	1.15	GK89	4P	7.2	22236	205	135	1.40	101	1346	14.44	17	1.50	GKF89	116	1171	12.56	17	1.60	GKA89	131		1040	11.16	16	1.35	GKAF89																																																																																																																																																																																																																																																																																																																																																																															
59	2323	24.92	17	1.00	GKF89	65		2088	22.40	17	1.05	GKA89	75		1813	19.45	17	1.20	GKAF89	84		1623	17.41	17	1.30		91		1491	16.00	16	1.15	GK89	4P	7.2	22236	205	135	1.40	101		1346	14.44	17	1.50	GKF89	116	1171	12.56	17	1.60	GKA89	131	1040	11.16	16	1.35	GKAF89																																																																																																																																																																																																																																																																																																																																																																																						
65	2088	22.40	17	1.05	GKA89	75		1813	19.45	17	1.20	GKAF89	84		1623	17.41	17	1.30		91		1491	16.00	16	1.15	GK89	4P	7.2	22236	205	135	1.40	101		1346	14.44	17	1.50	GKF89	116		1171	12.56	17	1.60	GKA89	131	1040	11.16	16	1.35	GKAF89																																																																																																																																																																																																																																																																																																																																																																																												
75	1813	19.45	17	1.20	GKAF89	84		1623	17.41	17	1.30		91		1491	16.00	16	1.15	GK89	4P	7.2	22236	205	135	1.40	101		1346	14.44	17	1.50	GKF89	116		1171	12.56	17	1.60	GKA89	131		1040	11.16	16	1.35	GKAF89																																																																																																																																																																																																																																																																																																																																																																																																		
84	1623	17.41	17	1.30		91		1491	16.00	16	1.15	GK89	4P	7.2	22236	205	135	1.40	101		1346	14.44	17	1.50	GKF89	116		1171	12.56	17	1.60	GKA89	131		1040	11.16	16	1.35	GKAF89																																																																																																																																																																																																																																																																																																																																																																																																									
91	1491	16.00	16	1.15	GK89	4P	7.2	22236	205	135	1.40																																																																																																																																																																																																																																																																																																																																																																																																																																					
101	1346	14.44	17	1.50	GKF89		116	1171	12.56	17	1.60	GKA89		131	1040	11.16	16	1.35	GKAF89																																																																																																																																																																																																																																																																																																																																																																																																																													
116	1171	12.56	17	1.60	GKA89		131	1040	11.16	16	1.35	GKAF89																																																																																																																																																																																																																																																																																																																																																																																																																																				
131	1040	11.16	16	1.35	GKAF89																																																																																																																																																																																																																																																																																																																																																																																																																																											

选型参数表

(恒功率) 18.5kW-22kW

Selection Table

(Constant Power) 18.5kW-22kW

n _a [r/min]	M _a [Nm]	i	F _{Ra} [kN]	f _B	机型号 Type size	极数 Pole	n _a [r/min]	M _a [Nm]	i	F _{Ra} [kN]	f _B	机型号 Type size	极数 Pole		
18.5kW							22kW								
20	8369	73.30	44	0.90	GK109	4P	10	19632	144.59	171	2.40	GK189	4P		
22	7595	66.52	44	1.00	GKF109		11	17609	129.69	171	2.70	GKA189			
26	6528	57.17	44	1.15	GKA109		13	14913	109.83	135	2.00	GK169	4P		
29	5697	49.90	44	1.30	GKAF109		17	11930	87.86	135	2.50	GKA169			
35	4833	42.33	44	1.45	GK109 GKF109 GKA109 GKAF109	4P	19	10610	78.14	135	2.90	GK159 GKF159 GKA159 GKAF159	6P		
40	4225	37.00	43	1.60			9.7	20622	100.22	101	0.85				
45	3731	32.68	43	1.85			11	18859	91.65	101	0.90				
47	3571	31.28	43	1.80			12	16410	79.75	100	1.05				
51	3310	28.99	42	2.10			14	14482	70.38	99	1.20				
56	3004	26.31	42	2.30			16	12556	61.02	98	1.35				
65	2582	22.61	41	2.60			12	16618	122.39	100	1.05				
74	2254	19.74	40	3.00			15	13608	100.22	99	1.25				
88	1911	16.74	38	3.50	16	12444	91.65	98	1.35	GK159 GKF159 GKA159 GKAF159	4P				
35	4781	41.87	24	0.85	GK99	4P	18	10828	79.75			97	1.55		
48	3518	30.81	25	1.15	GKF99		21	9556	70.38			95	1.80		
53	3186	27.90	25	1.30	GKA99		24	8285	61.02			93	2.10		
59	2825	24.74	25	1.45	GKAF99		27	7371	54.29	91	2.30				
66	2554	22.37	25	1.60	GK99 GKF99 GKA99 GKAF99	4P	31	6353	46.79	89	2.70				
78	2165	18.96	24	1.90			39	5162	38.02	85	3.30				
89	1891	16.56	24	2.20			16	12205	89.89	70	1.00	GK129 GKF129 GKA129 GKAF129	4P		
106	1581	13.85	24	2.60			18	11131	81.98	70	1.10				
123	1369	11.99	23	2.70			21	9634	70.95	70	1.30				
59	2845	24.92	15	0.85	GK89 GKF89 GKA89 GKAF89	4P	23	8500	62.60	69	1.45				
66	2558	22.40	15	0.85			27	7342	54.07	67	1.70				
76	2221	19.45	15	1.00			31	6493	47.82	67	1.90				
84	1988	17.41	16	1.05			37	5457	40.19	66	2.30				
102	1649	14.44	16	1.20			40	4930	36.31	64	2.50				
117	1434	12.56	16	1.30			47	4266	31.42	63	2.90				
132	1274	11.16	15	1.10			53	3765	27.73	61	3.30				
147	1142	10.00	15	1.25			61	3252	23.95	60	3.80				
177	947	8.29	14	1.40			69	2876	21.18	58	4.30				
204	823	7.21	14	1.50			26	7762	57.17	41	1.00	GK109 GKF109 GKA109 GKAF109	4P		
22kW							29	6775	49.90	41	1.10				
3.2	58561	454	155	0.85			GK189R109 GKA189R109	4P	35	5748	42.33			41	1.20
4.1	45791	355	171	1.05	40	5024			37.00	41	1.35				
5.6	33666	261	171	1.45	45	4437			32.68	41	1.55				
6.7	28507	221	171	1.70	47	4247			31.28	41	1.50				
7.6	24895	193	171	1.95	51	3936			28.99	40	1.75				
9	21025	163	171	2.30	56	3572	26.31	40	1.90						
5.3	35730	277	135	0.85	GK169R109 GKA169R109	4P	65	3070	22.61	39	2.20				
6.0	31474	244	135	1.00			74	2680	19.74	38	2.50				
6.9	27475	213	135	1.15			88	2273	16.74	37	2.90				
7.2	26443	205	135	1.20			100	1986	14.63	36	3.30				
8.2	23218	180	135	1.35			109	1824	13.43	35	2.20				
9.2	20509	159	135	1.50			125	1591	11.72	34	2.60				
11	17414	135	135	1.80			148	1350	9.94	33	2.90				
12	15221	118	135	2.10			48	4183	30.81	22	0.95	GK99 GKF99 GKA99 GKAF99	4P		
9.4	20251	157	104	0.90	GK159R109	4P	53	3788	27.90	23	1.05				
12	15737	122	103	1.15	GKF159R109		59	3359	24.74	23	1.20				
14	13802	107	102	1.30	GKA159R109 GKAF159R109		66	3037	22.37	23	1.35				
5.4	37009	179.86	171	1.30	GK189 GKA189	6P	78	2574	18.96	23	1.60				
5.9	33995	165.21	171	1.40			89	2248	16.56	23	1.80				
6.7	29752	144.59	171	1.60			106	1881	13.85	23	2.20				
7.5	26686	129.69	171	1.80			123	1628	11.99	22	2.30				
8.6	23169	112.60	171	1.90			141	1413	10.41	21	1.90				
8.2	24421	179.86	171	1.95	GK189 GKA189	4P	169	1183	8.71	20	2.10				
8.9	22432	165.21	171	2.10											

选型参数表
(恒功率) 22kW-37kW
Selection Table
(Constant Power) 22kW-37kW

n_a [r/min]	M_a [Nm]	i	F_{Ra} [kN]	f_B	机型号 Type size	极数 Pole	n_a [r/min]	M_a [Nm]	i	F_{Ra} [kN]	f_B	机型号 Type size	极数 Pole																																																																																																																																																																																																																																																																																																																																																																																																																																																																																																																																																																																																																																																																																								
22kW							30kW																																																																																																																																																																																																																																																																																																																																																																																																																																																																																																																																																																																																																																																																																														
76	2641	19.45	14	0.80	GK89 GKF89 GKA89 GKAF89	4P	100	2709	14.63	34	2.40	GK109 GKF109 GKA109 GKAF109	4P																																																																																																																																																																																																																																																																																																																																																																																																																																																																																																																																																																																																																																																																																								
84	2364	17.41	14	0.90			102	1961	14.44	14	1.00			117	1705	12.56	15	1.10	132	1515	11.16	13	0.95	147	1358	10.00	13	1.05	177	1126	8.29	14	1.20	204	979	7.21	13	1.25	30kW							37kW							5.6	45909	261	171	1.05	GK189R109 GKA189R109	4P	59	4581	24.74	19	0.90	GK99 GKF99 GKA99 GKAF99	4P	6.7	38873	221	171	1.25	7.6	33948	193	171	1.45	9	28671	163	171	1.70	6.9	37466	213	135	0.85	GK169R109 GKA169R109	4P	66	4142	22.37	19	1.00	7.2	36059	205	135	0.85	8.2	31661	180	135	1.00	9.2	27967	159	135	1.10	11	23746	135	135	1.30	12	20756	118	135	1.50	8.2	33302	179.86	171	1.45	8.9	30589	165.21	171	1.55	10	26771	144.59	171	1.75	GK189 GKA189	4P	106	3066	16.56	20	1.35	11	24013	129.69	171	2.00	13	20848	112.60	171	2.22	14	18915	102.16	171	2.30	17	16293	88.00	171	2.50	13	20335	109.83	135	1.50	GK169R109 GKA169R109	4P	123	2220	11.99	20	1.65	17	16268	87.86	135	1.85	19	14468	78.14	135	2.10	22	12605	68.08	135	2.40	24	11246	60.74	135	2.70	15	18556	100.22	88	0.90	16	16969	91.65	88	1.00	18	14766	79.75	88	1.15	GK169R109 GKA169R109	4P	21	13031	70.38	87	1.30	24	11298	61.02	86	1.50	27	10052	54.29	85	1.70	31	8663	46.79	83	1.95	GK159 GKF159 GKA159 GKAF159	4P	39	7040	38.02	81	2.40	47	5795	31.30	78	3.00	21	15963	70.38	81	1.05	23	11591	62.60	61	1.05	27	10011	54.07	61	1.25	31	8854	47.82	61	1.40	37	7441	40.19	61	1.65	GK159 GKF159 GKA159 GKAF159	4P	40	6723	36.31	60	1.85	47	5818	31.42	59	2.10	53	5134	27.73	58	2.40	61	4434	23.95	57	2.80	GK129 GKF129 GKA129 GKAF129	4P	69	3922	21.18	56	3.00	24	12605	68.08	135	2.40	24	11246	60.74	135	2.70	15	18556	100.22	88	0.90	16	16969	91.65	88	1.00	18	14766	79.75	88	1.15	21	13031	70.38	87	1.30	24	11298	61.02	86	1.50	27	10052	54.29	85	1.70	31	8663	46.79	83	1.95	39	7040	38.02	81	2.40	47	5795	31.30	78	3.00	21	13137	70.95	61	0.95	23	11591	62.60	61	1.05	27	10011	54.07	61	1.25	31	8854	47.82	61	1.40	37	7441	40.19	61	1.65	40	6723	36.31	60	1.85	47	5818	31.42	59	2.10	53	5134	27.73	58	2.40	61	4434	23.95	57	2.80	69	3922	21.18	56	3.00	35	7838	42.33	34	0.90	40	6851	37.00	36	1.00	47	5792	31.28	34	1.10	51	5368	28.99	36	1.25	56	4871	26.31	36	1.40	65	4186	22.61	36	1.65	74	3655	19.74	36	1.85	88	3099	16.74	35	2.20	8.2	33302	179.86	171	1.45	8.9	30589	165.21	171	1.55	10	26771	144.59	171	1.75	11	24013	129.69	171	2.00	13	20848	112.60	171	2.22	14	18915	102.16	171	2.30	17	16293	88.00	171	2.50	13	20335	109.83	135	1.50	17	16268	87.86	135	1.85	19	14468	78.14	135	2.10	22	12605	68.08	135	2.40	24	11246	60.74	135	2.70	15	18556	100.22	88	0.90	16	16969	91.65	88	1.00	18	14766	79.75	88	1.15	21	13031	70.38	87	1.30	24	11298	61.02	86	1.50	27	10052	54.29	85	1.70	31	8663	46.79	83	1.95	39	7040	38.02	81	2.40	47	5795	31.30	78	3.00	21	13137	70.95	61	0.95	23	11591	62.60	61	1.05	27	10011	54.07	61	1.25	31	8854	47.82	61	1.40	37	7441	40.19	61	1.65	40	6723	36.31	60	1.85	47	5818	31.42	59	2.10	53	5134	27.73	58	2.40	61	4434	23.95	57	2.80	69	3922	21.18	56	3.00	35	7838	42.33	34	0.90	40	6851	37.00	36	1.00	47	5792	31.28	34	1.10	51	5368	28.99	36	1.25	56	4871	26.31	36	1.40	65	4186	22.61	36	1.65	74	3655	19.74	36	1.85	88	3099	16.74	35	2.20																																										
102	1961	14.44	14	1.00			117	1705	12.56	15	1.10			132	1515	11.16	13	0.95	147	1358	10.00	13	1.05	177	1126	8.29	14	1.20	204	979	7.21	13	1.25	30kW							37kW							5.6	45909	261	171	1.05	GK189R109 GKA189R109	4P	59	4581	24.74			19	0.90	GK99 GKF99 GKA99 GKAF99	4P	6.7			38873	221	171	1.25	7.6	33948	193	171	1.45	9	28671	163	171	1.70	6.9	37466	213	135	0.85	GK169R109 GKA169R109			4P	66	4142	22.37	19	1.00	7.2	36059	205	135	0.85	8.2	31661	180	135	1.00	9.2	27967	159	135	1.10	11	23746	135	135	1.30	12	20756	118	135	1.50	8.2	33302	179.86	171	1.45	8.9	30589	165.21	171	1.55	10	26771	144.59	171			1.75	GK189 GKA189	4P	106	3066	16.56	20	1.35	11	24013	129.69	171	2.00	13	20848	112.60	171	2.22	14	18915	102.16	171	2.30	17	16293	88.00	171	2.50	13	20335			109.83	135	1.50	GK169R109 GKA169R109	4P	123	2220	11.99	20	1.65	17	16268	87.86	135	1.85	19	14468	78.14	135	2.10	22	12605	68.08	135	2.40	24	11246	60.74	135	2.70	15	18556	100.22	88	0.90	16	16969	91.65	88	1.00			18	14766	79.75	88	1.15	GK169R109 GKA169R109	4P	21	13031	70.38	87	1.30	24	11298	61.02	86	1.50	27	10052	54.29			85	1.70	31	8663	46.79	83	1.95	GK159 GKF159 GKA159 GKAF159	4P	39	7040	38.02	81	2.40	47	5795	31.30	78	3.00	21	15963	70.38	81	1.05	23	11591	62.60	61	1.05	27	10011	54.07	61	1.25	31			8854	47.82	61	1.40	37	7441	40.19	61	1.65	GK159 GKF159 GKA159 GKAF159	4P	40	6723	36.31	60	1.85	47	5818	31.42	59			2.10	53	5134	27.73	58	2.40	61	4434	23.95	57	2.80	GK129 GKF129 GKA129 GKAF129	4P	69	3922	21.18	56	3.00	24	12605	68.08	135	2.40	24	11246	60.74	135	2.70	15	18556	100.22	88	0.90	16	16969	91.65	88	1.00	18	14766	79.75	88	1.15	21	13031	70.38	87	1.30	24	11298	61.02	86	1.50	27	10052	54.29	85	1.70	31	8663	46.79	83	1.95	39	7040	38.02	81	2.40	47	5795	31.30	78	3.00	21	13137	70.95	61	0.95	23	11591	62.60	61	1.05	27	10011	54.07	61	1.25	31	8854	47.82	61	1.40	37	7441	40.19	61	1.65	40	6723	36.31	60	1.85	47	5818	31.42	59	2.10	53	5134	27.73	58	2.40	61	4434	23.95	57	2.80	69	3922	21.18	56	3.00	35	7838	42.33	34	0.90	40	6851	37.00	36	1.00	47	5792	31.28	34	1.10	51	5368	28.99	36	1.25	56	4871	26.31	36	1.40	65	4186	22.61	36	1.65	74	3655	19.74	36	1.85	88	3099	16.74	35	2.20	8.2	33302	179.86	171	1.45	8.9	30589	165.21	171	1.55	10	26771	144.59	171	1.75	11	24013	129.69	171	2.00	13	20848	112.60	171	2.22	14	18915	102.16	171	2.30	17	16293	88.00	171	2.50	13	20335	109.83	135	1.50	17	16268	87.86	135	1.85	19	14468	78.14	135	2.10	22	12605	68.08	135	2.40	24	11246	60.74	135	2.70	15	18556	100.22	88	0.90	16	16969	91.65	88	1.00	18	14766	79.75	88	1.15	21	13031	70.38	87	1.30	24	11298	61.02	86	1.50	27	10052	54.29	85	1.70	31	8663	46.79	83	1.95	39	7040	38.02	81	2.40	47	5795	31.30	78	3.00	21	13137	70.95	61	0.95	23	11591	62.60	61	1.05	27	10011	54.07	61	1.25	31	8854	47.82	61	1.40	37	7441	40.19	61	1.65	40	6723	36.31	60	1.85	47	5818	31.42	59	2.10	53	5134	27.73	58	2.40	61	4434	23.95	57	2.80	69	3922	21.18	56	3.00	35	7838	42.33	34	0.90	40	6851	37.00	36	1.00	47	5792	31.28	34	1.10	51	5368	28.99	36	1.25	56	4871	26.31	36	1.40	65	4186	22.61	36	1.65	74	3655	19.74	36	1.85	88	3099	16.74	35	2.20																													
117	1705	12.56	15	1.10			132	1515	11.16	13	0.95			147	1358	10.00	13	1.05	177	1126	8.29	14	1.20	204	979	7.21	13	1.25	30kW							37kW							5.6	45909	261	171	1.05	GK189R109 GKA189R109	4P	59	4581	24.74			19	0.90	GK99 GKF99 GKA99 GKAF99			4P	6.7			38873			221	171	1.25	7.6	33948	193	171	1.45	9	28671	163	171	1.70	6.9	37466	213	135	0.85	GK169R109 GKA169R109					4P	66	4142	22.37	19	1.00	7.2	36059	205	135	0.85	8.2	31661	180	135	1.00	9.2	27967	159	135	1.10	11	23746	135	135	1.30	12	20756	118	135	1.50	8.2	33302	179.86	171	1.45	8.9	30589	165.21	171	1.55	10	26771	144.59			171			1.75	GK189 GKA189	4P	106	3066	16.56	20	1.35	11	24013	129.69	171	2.00	13	20848	112.60	171	2.22	14	18915	102.16	171	2.30	17	16293	88.00	171			2.50	13	20335			109.83	135	1.50	GK169R109 GKA169R109	4P	123	2220	11.99	20	1.65	17	16268	87.86	135	1.85	19	14468	78.14	135	2.10	22	12605	68.08	135	2.40	24	11246	60.74	135	2.70	15	18556	100.22	88	0.90			16	16969	91.65	88	1.00			18	14766	79.75	88	1.15	GK169R109 GKA169R109	4P	21	13031	70.38	87	1.30	24			11298	61.02	86	1.50	27	10052	54.29			85	1.70	31	8663	46.79	83	1.95	GK159 GKF159 GKA159 GKAF159	4P	39	7040	38.02	81	2.40	47	5795	31.30	78	3.00	21	15963	70.38	81	1.05	23	11591			62.60	61	1.05	27	10011	54.07	61	1.25	31			8854	47.82	61	1.40	37	7441	40.19	61	1.65			GK159 GKF159 GKA159 GKAF159	4P	40	6723	36.31	60	1.85	47	5818	31.42	59			2.10	53	5134	27.73	58	2.40	61	4434	23.95	57	2.80	GK129 GKF129 GKA129 GKAF129	4P	69	3922	21.18	56	3.00	24	12605	68.08	135	2.40	24	11246	60.74	135	2.70	15	18556	100.22	88	0.90	16	16969	91.65	88	1.00	18	14766	79.75	88	1.15	21	13031	70.38	87	1.30	24	11298	61.02	86	1.50	27	10052	54.29	85	1.70	31	8663	46.79	83	1.95	39	7040	38.02	81	2.40	47	5795	31.30	78	3.00	21	13137	70.95	61	0.95	23	11591	62.60	61	1.05	27	10011	54.07	61	1.25	31	8854	47.82	61	1.40	37	7441	40.19	61	1.65	40	6723	36.31	60	1.85	47	5818	31.42	59	2.10	53	5134	27.73	58	2.40	61	4434	23.95	57	2.80	69	3922	21.18	56	3.00	35	7838	42.33	34	0.90	40	6851	37.00	36	1.00	47	5792	31.28	34	1.10	51	5368	28.99	36	1.25	56	4871	26.31	36	1.40	65	4186	22.61	36	1.65	74	3655	19.74	36	1.85	88	3099	16.74	35	2.20	8.2	33302	179.86	171	1.45	8.9	30589	165.21	171	1.55	10	26771	144.59	171	1.75	11	24013	129.69	171	2.00	13	20848	112.60	171	2.22	14	18915	102.16	171	2.30	17	16293	88.00	171	2.50	13	20335	109.83	135	1.50	17	16268	87.86	135	1.85	19	14468	78.14	135	2.10	22	12605	68.08	135	2.40	24	11246	60.74	135	2.70	15	18556	100.22	88	0.90	16	16969	91.65	88	1.00	18	14766	79.75	88	1.15	21	13031	70.38	87	1.30	24	11298	61.02	86	1.50	27	10052	54.29	85	1.70	31	8663	46.79	83	1.95	39	7040	38.02	81	2.40	47	5795	31.30	78	3.00	21	13137	70.95	61	0.95	23	11591	62.60	61	1.05	27	10011	54.07	61	1.25	31	8854	47.82	61	1.40	37	7441	40.19	61	1.65	40	6723	36.31	60	1.85	47	5818	31.42	59	2.10	53	5134	27.73	58	2.40	61	4434	23.95	57	2.80	69	3922	21.18	56	3.00	35	7838	42.33	34	0.90	40	6851	37.00	36	1.00	47	5792	31.28	34	1.10	51	5368	28.99	36	1.25	56	4871	26.31	36	1.40	65	4186	22.61	36	1.65	74	3655	19.74	36	1.85	88	3099	16.74	35	2.20																
132	1515	11.16	13	0.95			147	1358	10.00	13	1.05	177	1126	8.29	14	1.20	204	979	7.21	13	1.25	30kW							37kW							5.6	45909	261	171	1.05	GK189R109 GKA189R109	4P	59	4581	24.74	19	0.90			GK99 GKF99 GKA99 GKAF99	4P	6.7			38873	221					171			1.25			7.6	33948	193	171	1.45	9	28671	163	171	1.70	6.9	37466	213	135	0.85	GK169R109 GKA169R109	4P	66							4142	22.37	19	1.00	7.2	36059	205	135	0.85	8.2	31661	180	135	1.00	9.2	27967	159	135	1.10	11	23746	135	135	1.30	12	20756	118	135	1.50	8.2	33302	179.86	171	1.45	8.9	30589	165.21	171	1.55	10	26771	144.59	171			1.75			GK189 GKA189			4P	106	3066	16.56	20	1.35	11	24013	129.69	171	2.00	13	20848	112.60	171	2.22	14	18915	102.16	171	2.30	17	16293	88.00			171	2.50	13			20335	109.83	135			1.50	GK169R109 GKA169R109	4P	123	2220	11.99	20	1.65	17	16268	87.86	135	1.85	19	14468	78.14	135	2.10	22	12605	68.08	135	2.40	24	11246	60.74	135	2.70	15	18556			100.22	88	0.90	16	16969			91.65	88	1.00	18	14766			79.75	88	1.15	GK169R109 GKA169R109	4P	21			13031	70.38	87	1.30	24	11298	61.02			86	1.50	27	10052	54.29	85	1.70			31	8663	46.79	83	1.95	GK159 GKF159 GKA159 GKAF159	4P	39	7040	38.02	81	2.40	47	5795	31.30	78	3.00			21	15963	70.38	81	1.05	23	11591	62.60	61			1.05	27	10011	54.07	61	1.25	31	8854	47.82					61	1.40	37	7441	40.19	61	1.65	GK159 GKF159 GKA159 GKAF159	4P			40	6723	36.31	60	1.85	47	5818	31.42	59	2.10	53			5134	27.73	58	2.40	61	4434	23.95	57	2.80	GK129 GKF129 GKA129 GKAF129	4P	69	3922	21.18	56	3.00	24	12605	68.08	135	2.40	24	11246	60.74	135	2.70	15	18556	100.22	88	0.90	16	16969	91.65	88	1.00	18	14766	79.75	88	1.15	21	13031	70.38	87	1.30	24	11298	61.02	86	1.50	27	10052	54.29	85	1.70	31	8663	46.79	83	1.95	39	7040	38.02	81	2.40	47	5795	31.30	78	3.00	21	13137	70.95	61	0.95	23	11591	62.60	61	1.05	27	10011	54.07	61	1.25	31	8854	47.82	61	1.40	37	7441	40.19	61	1.65	40	6723	36.31	60	1.85	47	5818	31.42	59	2.10	53	5134	27.73	58	2.40	61	4434	23.95	57	2.80	69	3922	21.18	56	3.00	35	7838	42.33	34	0.90	40	6851	37.00	36	1.00	47	5792	31.28	34	1.10	51	5368	28.99	36	1.25	56	4871	26.31	36	1.40	65	4186	22.61	36	1.65	74	3655	19.74	36	1.85	88	3099	16.74	35	2.20	8.2	33302	179.86	171	1.45	8.9	30589	165.21	171	1.55	10	26771	144.59	171	1.75	11	24013	129.69	171	2.00	13	20848	112.60	171	2.22	14	18915	102.16	171	2.30	17	16293	88.00	171	2.50	13	20335	109.83	135	1.50	17	16268	87.86	135	1.85	19	14468	78.14	135	2.10	22	12605	68.08	135	2.40	24	11246	60.74	135	2.70	15	18556	100.22	88	0.90	16	16969	91.65	88	1.00	18	14766	79.75	88	1.15	21	13031	70.38	87	1.30	24	11298	61.02	86	1.50	27	10052	54.29	85	1.70	31	8663	46.79	83	1.95	39	7040	38.02	81	2.40	47	5795	31.30	78	3.00	21	13137	70.95	61	0.95	23	11591	62.60	61	1.05	27	10011	54.07	61	1.25	31	8854	47.82	61	1.40	37	7441	40.19	61	1.65	40	6723	36.31	60	1.85	47	5818	31.42	59	2.10	53	5134	27.73	58	2.40	61	4434	23.95	57	2.80	69	3922	21.18	56	3.00	35	7838	42.33	34	0.90	40	6851	37.00	36	1.00	47	5792	31.28	34	1.10	51	5368	28.99	36	1.25	56	4871	26.31	36	1.40	65	4186	22.61	36	1.65	74	3655	19.74	36	1.85	88	3099	16.74	35	2.20					
147	1358	10.00	13	1.05			177	1126	8.29	14	1.20	204	979	7.21	13	1.25	30kW							37kW							5.6	45909	261	171	1.05	GK189R109 GKA189R109	4P	59	4581	24.74			19	0.90	GK99 GKF99 GKA99 GKAF99	4P	6.7					38873			221	171		1.25	7.6		33948			193			171	1.45	9	28671	163	171	1.70	6.9	37466	213	135	0.85	GK169R109 GKA169R109	4P	66			4142							22.37	19	1.00	7.2	36059	205	135	0.85	8.2	31661	180	135	1.00	9.2	27967	159	135	1.10	11	23746	135	135	1.30	12	20756	118	135	1.50	8.2	33302	179.86	171	1.45	8.9	30589	165.21	171	1.55	10	26771	144.59	171	1.75	GK189 GKA189	4P	106							3066	16.56	20	1.35	11	24013	129.69	171	2.00	13	20848	112.60	171	2.22	14	18915	102.16	171	2.30	17	16293	88.00	171			2.50	13	20335			109.83	135	1.50			GK169R109 GKA169R109			4P	123	2220	11.99	20	1.65	17	16268	87.86	135	1.85	19	14468	78.14	135	2.10	22	12605	68.08	135	2.40	24	11246	60.74	135	2.70	15	18556	100.22	88	0.90	16	16969	91.65			88	1.00	18	14766	79.75			88	1.15	GK169R109 GKA169R109			4P			21	13031	70.38	87	1.30	24	11298			61.02	86	1.50	27	10052	54.29	85			1.70	31	8663	46.79	83			1.95	GK159 GKF159 GKA159 GKAF159	4P	39	7040	38.02	81	2.40	47	5795	31.30	78	3.00	21	15963	70.38	81	1.05	23	11591	62.60			61	1.05	27	10011	54.07	61	1.25	31	8854					47.82	61	1.40	37	7441	40.19	61					1.65	GK159 GKF159 GKA159 GKAF159	4P	40	6723	36.31	60	1.85	47	5818	31.42			59	2.10	53	5134	27.73	58	2.40	61	4434			23.95	57	2.80	GK129 GKF129 GKA129 GKAF129	4P	69	3922	21.18	56	3.00	24	12605	68.08	135	2.40	24	11246	60.74	135	2.70	15	18556	100.22	88	0.90	16	16969	91.65	88	1.00	18	14766	79.75	88	1.15	21	13031	70.38	87	1.30	24	11298	61.02	86	1.50	27	10052	54.29	85	1.70	31	8663	46.79	83	1.95	39	7040	38.02	81	2.40	47	5795	31.30	78	3.00	21	13137	70.95	61	0.95	23	11591	62.60	61	1.05	27	10011	54.07	61	1.25	31	8854	47.82	61	1.40	37	7441	40.19	61	1.65	40	6723	36.31	60	1.85	47	5818	31.42	59	2.10	53	5134	27.73	58	2.40	61	4434	23.95	57	2.80	69	3922	21.18	56	3.00	35	7838	42.33	34	0.90	40	6851	37.00	36	1.00	47	5792	31.28	34	1.10	51	5368	28.99	36	1.25	56	4871	26.31	36	1.40	65	4186	22.61	36	1.65	74	3655	19.74	36	1.85	88	3099	16.74	35	2.20	8.2	33302	179.86	171	1.45	8.9	30589	165.21	171	1.55	10	26771	144.59	171	1.75	11	24013	129.69	171	2.00	13	20848	112.60	171	2.22	14	18915	102.16	171	2.30	17	16293	88.00	171	2.50	13	20335	109.83	135	1.50	17	16268	87.86	135	1.85	19	14468	78.14	135	2.10	22	12605	68.08	135	2.40	24	11246	60.74	135	2.70	15	18556	100.22	88	0.90	16	16969	91.65	88	1.00	18	14766	79.75	88	1.15	21	13031	70.38	87	1.30	24	11298	61.02	86	1.50	27	10052	54.29	85	1.70	31	8663	46.79	83	1.95	39	7040	38.02	81	2.40	47	5795	31.30	78	3.00	21	13137	70.95	61	0.95	23	11591	62.60	61	1.05	27	10011	54.07	61	1.25	31	8854	47.82	61	1.40	37	7441	40.19	61	1.65	40	6723	36.31	60	1.85	47	5818	31.42	59	2.10	53	5134	27.73	58	2.40	61	4434	23.95	57	2.80	69	3922	21.18	56	3.00	35	7838	42.33	34	0.90	40	6851	37.00	36	1.00	47	5792	31.28	34	1.10	51	5368	28.99	36	1.25	56	4871	26.31	36	1.40	65	4186	22.61	36	1.65	74	3655	19.74	36	1.85	88	3099	16.74	35	2.20
177	1126	8.29	14	1.20			204	979	7.21	13	1.25	30kW							37kW							5.6	45909	261	171	1.05	GK189R109 GKA189R109	4P	59	4581	24.74			19	0.90	GK99 GKF99 GKA99 GKAF99			4P	6.7			38873					221	171	1.25	7.6	33948		193	171		1.45			9			28671	163	171	1.70	6.9	37466	213	135	0.85	GK169R109 GKA169R109	4P	66			4142			22.37							19	1.00	7.2	36059	205	135	0.85	8.2	31661	180	135	1.00	9.2	27967	159	135	1.10	11	23746	135	135	1.30	12	20756	118	135	1.50	8.2	33302	179.86	171	1.45	8.9	30589	165.21	171	1.55	10	26771	144.59	171	1.75	GK189 GKA189			4P	106	3066					16.56	20	1.35	11	24013	129.69	171	2.00	13	20848	112.60	171	2.22	14	18915	102.16	171	2.30	17	16293	88.00	171	2.50			13	20335	109.83			135	1.50	GK169R109 GKA169R109							4P	123	2220	11.99	20	1.65	17	16268	87.86	135	1.85	19	14468	78.14	135	2.10	22	12605	68.08	135	2.40	24	11246	60.74	135	2.70	15	18556	100.22	88	0.90	16	16969	91.65	88	1.00	18	14766	79.75	88			1.15	GK169R109 GKA169R109							4P	21	13031	70.38	87	1.30	24			11298	61.02	86	1.50	27	10052	54.29			85	1.70	31	8663	46.79			83			1.95	GK159 GKF159 GKA159 GKAF159	4P	39	7040	38.02	81	2.40	47	5795	31.30	78	3.00	21	15963	70.38	81	1.05	23	11591	62.60	61	1.05	27	10011	54.07	61	1.25	31					8854	47.82	61	1.40	37	7441	40.19					61			1.65	GK159 GKF159 GKA159 GKAF159	4P	40	6723	36.31	60	1.85			47	5818	31.42	59	2.10	53	5134	27.73	58			2.40	61	4434			23.95	57	2.80	GK129 GKF129 GKA129 GKAF129	4P	69	3922	21.18	56	3.00	24	12605	68.08	135	2.40	24	11246	60.74	135	2.70	15	18556	100.22	88	0.90	16	16969	91.65	88	1.00	18	14766	79.75	88	1.15	21	13031	70.38	87	1.30	24	11298	61.02	86	1.50	27	10052	54.29	85	1.70	31	8663	46.79	83	1.95	39	7040	38.02	81	2.40	47	5795	31.30	78	3.00	21	13137	70.95	61	0.95	23	11591	62.60	61	1.05	27	10011	54.07	61	1.25	31	8854	47.82	61	1.40	37	7441	40.19	61	1.65	40	6723	36.31	60	1.85	47	5818	31.42	59	2.10	53	5134	27.73	58	2.40	61	4434	23.95	57	2.80	69	3922	21.18	56	3.00	35	7838	42.33	34	0.90	40	6851	37.00	36	1.00	47	5792	31.28	34	1.10	51	5368	28.99	36	1.25	56	4871	26.31	36	1.40	65	4186	22.61	36	1.65	74	3655	19.74	36	1.85	88	3099	16.74	35	2.20	8.2	33302	179.86	171	1.45	8.9	30589	165.21	171	1.55	10	26771	144.59	171	1.75	11	24013	129.69	171	2.00	13	20848	112.60	171	2.22	14	18915	102.16	171	2.30	17	16293	88.00	171	2.50	13	20335	109.83	135	1.50	17	16268	87.86	135	1.85	19	14468	78.14	135	2.10	22	12605	68.08	135	2.40	24	11246	60.74	135	2.70	15	18556	100.22	88	0.90	16	16969	91.65	88	1.00	18	14766	79.75	88	1.15	21	13031	70.38	87	1.30	24	11298	61.02	86	1.50	27	10052	54.29	85	1.70	31	8663	46.79	83	1.95	39	7040	38.02	81	2.40	47	5795	31.30	78	3.00	21	13137	70.95	61	0.95	23	11591	62.60	61	1.05	27	10011	54.07	61	1.25	31	8854	47.82	61	1.40	37	7441	40.19	61	1.65	40	6723	36.31	60	1.85	47	5818	31.42	59	2.10	53	5134	27.73	58	2.40	61	4434	23.95	57	2.80	69	3922	21.18	56	3.00	35	7838	42.33	34	0.90	40	6851	37.00	36	1.00	47	5792	31.28	34	1.10	51	5368	28.99	36	1.25	56	4871	26.31	36	1.40	65	4186	22.61	36	1.65	74	3655	19.74	36	1.85
204	979	7.21	13	1.25			30kW							37kW							5.6	45909	261	171	1.05	GK189R109 GKA189R109	4P	59	4581	24.74			19	0.90	GK99 GKF99 GKA99 GKAF99			4P	6.7					38873			221	171	1.25			7.6	33948	193	171	1.45		9	28671		163			171			1.70	6.9	37466	213	135	0.85	GK169R109 GKA169R109	4P	66			4142			22.37			19							1.00	7.2	36059	205	135	0.85	8.2	31661	180	135	1.00	9.2	27967	159	135	1.10	11	23746	135	135	1.30	12	20756	118	135	1.50	8.2	33302	179.86	171	1.45	8.9	30589	165.21	171	1.55	10	26771	144.59	171	1.75	GK189 GKA189					4P	106		3066	16.56		20	1.35	11	24013	129.69	171	2.00	13	20848	112.60	171	2.22	14	18915	102.16	171	2.30	17	16293	88.00	171	2.50	13			20335	109.83	135			1.50	GK169R109 GKA169R109									4P	123	2220	11.99	20	1.65	17	16268	87.86	135	1.85	19	14468	78.14	135	2.10	22	12605	68.08	135	2.40	24	11246	60.74	135	2.70	15	18556	100.22	88	0.90	16	16969	91.65	88	1.00	18	14766	79.75	88	1.15	GK169R109 GKA169R109									4P	21	13031	70.38	87	1.30			24	11298	61.02	86	1.50	27	10052			54.29	85	1.70	31	8663			46.79			83			1.95	GK159 GKF159 GKA159 GKAF159	4P	39	7040	38.02	81	2.40	47	5795	31.30	78	3.00	21	15963	70.38	81	1.05	23	11591	62.60	61	1.05	27	10011	54.07			61	1.25	31	8854	47.82	61	1.40	37	7441					40.19			61			1.65	GK159 GKF159 GKA159 GKAF159	4P	40	6723			36.31	60	1.85	47	5818	31.42	59	2.10	53			5134	27.73	58			2.40	61	4434			23.95	57	2.80	GK129 GKF129 GKA129 GKAF129	4P	69	3922	21.18	56	3.00	24	12605	68.08	135	2.40	24	11246	60.74	135	2.70	15	18556	100.22	88	0.90	16	16969	91.65	88	1.00	18	14766	79.75	88	1.15	21	13031	70.38	87	1.30	24	11298	61.02	86	1.50	27	10052	54.29	85	1.70	31	8663	46.79	83	1.95	39	7040	38.02	81	2.40	47	5795	31.30	78	3.00	21	13137	70.95	61	0.95	23	11591	62.60	61	1.05	27	10011	54.07	61	1.25	31	8854	47.82	61	1.40	37	7441	40.19	61	1.65	40	6723	36.31	60	1.85	47	5818	31.42	59	2.10	53	5134	27.73	58	2.40	61	4434	23.95	57	2.80	69	3922	21.18	56	3.00	35	7838	42.33	34	0.90	40	6851	37.00	36	1.00	47	5792	31.28	34	1.10	51	5368	28.99	36	1.25	56	4871	26.31	36	1.40	65	4186	22.61	36	1.65	74	3655	19.74	36	1.85	88	3099	16.74	35	2.20	8.2	33302	179.86	171	1.45	8.9	30589	165.21	171	1.55	10	26771	144.59	171	1.75	11	24013	129.69	171	2.00	13	20848	112.60	171	2.22	14	18915	102.16	171	2.30	17	16293	88.00	171	2.50	13	20335	109.83	135	1.50	17	16268	87.86	135	1.85	19	14468	78.14	135	2.10	22	12605	68.08	135	2.40	24	11246	60.74	135	2.70	15	18556	100.22	88	0.90	16	16969	91.65	88	1.00	18	14766	79.75	88	1.15	21	13031	70.38	87	1.30	24	11298	61.02	86	1.50	27	10052	54.29	85	1.70	31	8663	46.79	83	1.95	39	7040	38.02	81	2.40	47	5795	31.30	78	3.00	21	13137	70.95	61	0.95	23	11591	62.60	61	1.05	27	10011	54.07	61	1.25	31	8854	47.82	61	1.40	37	7441	40.19	61	1.65	40	6723	36.31	60	1.85	47	5818	31.42	59	2.10	53	5134	27.73	58	2.40	61	4434	23.95	57	2.80	69	3922	21.18	56	3.00	35	7838	42.33	34	0.90	40	6851	37.00	36	1.00	47	5792	31.28	34	1.10	51	5368	28.99	36	1.25	56	4871	26.31	36	1.40	65	4186	22.61	36	1.65
30kW							37kW																																																																																																																																																																																																																																																																																																																																																																																																																																																																																																																																																																																																																																																																																														
5.6	45909	261	171	1.05	GK189R109 GKA189R109	4P	59	4581	24.74	19	0.90	GK99 GKF99 GKA99 GKAF99	4P																																																																																																																																																																																																																																																																																																																																																																																																																																																																																																																																																																																																																																																																																								
6.7	38873	221	171	1.25			7.6	33948	193	171	1.45			9	28671	163	171	1.70	6.9	37466	213	135	0.85	GK169R109 GKA169R109	4P			66	4142	22.37	19	1.00	7.2	36059		205	135		0.85		8.2	31661		180			135	1.00	9.2			27967	159	135	1.10	11		23746	135		135	1.30	12	20756	118	135	1.50	8.2	33302	179.86	171	1.45			8.9			30589			165.21			171		1.55	10	26771	144.59		171	1.75	GK189 GKA189	4P	106	3066	16.56	20	1.35	11	24013	129.69	171	2.00	13	20848	112.60	171	2.22	14	18915	102.16	171	2.30	17	16293	88.00	171	2.50	13	20335	109.83	135	1.50	GK169R109 GKA169R109	4P	123	2220	11.99	20	1.65		17	16268	87.86	135		1.85	19	14468	78.14	135	2.10	22	12605	68.08	135	2.40	24	11246	60.74	135	2.70	15	18556	100.22	88	0.90	16	16969	91.65	88	1.00	18	14766	79.75	88	1.15	GK169R109 GKA169R109	4P	21	13031	70.38											87	1.30	24	11298	61.02	86	1.50	27	10052	54.29	85	1.70	31	8663	46.79	83	1.95	GK159 GKF159 GKA159 GKAF159	4P	39	7040	38.02	81	2.40	47	5795	31.30	78	3.00	21	15963	70.38	81	1.05	23	11591	62.60	61	1.05	27		10011	54.07	61	1.25	31	8854	47.82	61		1.40	37	7441	40.19	61	1.65	GK159 GKF159 GKA159 GKAF159	4P	40	6723	36.31	60	1.85	47			5818	31.42	59	2.10	53			5134			27.73			58			2.40	61	4434	23.95	57	2.80	GK129 GKF129 GKA129 GKAF129	4P	69	3922	21.18	56	3.00	24	12605	68.08	135	2.40	24	11246	60.74	135	2.70	15	18556	100.22	88	0.90	16	16969	91.65	88	1.00	18	14766	79.75	88	1.15	21	13031	70.38	87	1.30	24	11298			61.02	86			1.50	27	10052	54.29	85	1.70	31	8663	46.79			83	1.95	39			7040	38.02	81			2.40	47	5795			31.30	78	3.00	21	13137	70.95	61	0.95	23	11591	62.60	61	1.05	27	10011	54.07	61	1.25	31	8854	47.82	61	1.40	37	7441	40.19	61	1.65	40	6723	36.31	60	1.85	47	5818	31.42	59	2.10	53	5134	27.73	58	2.40	61	4434	23.95	57	2.80	69	3922	21.18	56	3.00	35	7838	42.33	34	0.90	40	6851	37.00	36	1.00	47	5792	31.28	34	1.10	51	5368	28.99	36	1.25	56	4871	26.31	36	1.40	65	4186	22.61	36	1.65	74	3655	19.74	36	1.85	88	3099	16.74	35	2.20	8.2	33302	179.86	171	1.45	8.9	30589	165.21	171	1.55	10	26771	144.59	171	1.75	11	24013	129.69	171	2.00	13	20848	112.60	171	2.22	14	18915	102.16	171	2.30	17	16293	88.00	171	2.50	13	20335	109.83	135	1.50	17	16268	87.86	135	1.85	19	14468	78.14	135	2.10	22	12605	68.08	135	2.40	24	11246	60.74	135	2.70	15	18556	100.22	88	0.90	16	16969	91.65	88	1.00	18	14766	79.75	88	1.15	21	13031	70.38	87	1.30	24	11298	61.02	86	1.50	27	10052	54.29	85	1.70	31	8663	46.79	83	1.95	39	7040	38.02	81	2.40	47	5795	31.30	78	3.00	21	13137	70.95	61	0.95	23	11591	62.60	61	1.05	27	10011	54.07	61	1.25	31	8854	47.82	61	1.40	37	7441	40.19	61	1.65	40	6723	36.31	60	1.85	47	5818	31.42	59	2.10	53	5134	27.73	58	2.40	61	4434	23.95	57	2.80	69	3922	21.18	56	3.00	35	7838	42.33	34	0.90	40	6851	37.00	36	1.00	47	5792	31.28	34	1.10	51	5368	28.99	36	1.25	56	4871	26.31	36	1.40	65	4186	22.61	36	1.65	74	3655	19.74	36	1.85	88	3099	16.74	35	2.20																																															
7.6	33948	193	171	1.45			9	28671	163	171	1.70			6.9	37466	213	135	0.85	GK169R109 GKA169R109	4P	66	4142	22.37			19	1.00	7.2	36059	205	135	0.85	8.2	31661		180	135		1.00		9.2	27967		159			135	1.10	11			23746	135	135	1.30	12	20756	118	135	1.50	8.2	33302	179.86	171	1.45	8.9	30589	165.21	171	1.55	10	26771			144.59			171			1.75			GK189 GKA189	4P	106	3066	16.56	20	1.35	11	24013			129.69	171	2.00	13	20848	112.60	171	2.22	14	18915	102.16	171	2.30	17	16293	88.00	171	2.50	13	20335	109.83	135	1.50	GK169R109 GKA169R109	4P	123	2220	11.99	20	1.65			17	16268	87.86	135	1.85	19	14468	78.14	135	2.10	22	12605	68.08	135	2.40	24	11246	60.74	135	2.70	15	18556	100.22	88	0.90	16	16969	91.65	88	1.00	18	14766	79.75	88	1.15	GK169R109 GKA169R109	4P	21	13031	70.38	87	1.30			24	11298	61.02			86	1.50							27	10052	54.29	85	1.70	31	8663	46.79	83	1.95	GK159 GKF159 GKA159 GKAF159	4P	39	7040	38.02	81	2.40			47	5795	31.30	78	3.00	21	15963	70.38	81	1.05	23	11591	62.60	61	1.05	27	10011	54.07	61	1.25	31	8854	47.82	61	1.40	37	7441	40.19	61	1.65	GK159 GKF159 GKA159 GKAF159	4P	40	6723	36.31	60	1.85			47	5818	31.42	59	2.10	53	5134	27.73	58	2.40	61	4434	23.95			57			2.80			GK129 GKF129 GKA129 GKAF129			4P	69	3922	21.18	56	3.00			24	12605	68.08	135	2.40	24	11246	60.74	135	2.70	15	18556	100.22	88	0.90	16	16969	91.65	88	1.00	18	14766	79.75	88	1.15	21	13031	70.38	87	1.30	24	11298	61.02	86	1.50	27	10052	54.29	85	1.70	31	8663	46.79	83	1.95	39	7040	38.02	81	2.40	47	5795			31.30	78	3.00			21	13137	70.95			61	0.95	23			11591	62.60	61	1.05	27	10011	54.07	61	1.25	31	8854	47.82	61	1.40	37	7441	40.19	61	1.65	40	6723	36.31	60	1.85	47	5818	31.42	59	2.10	53	5134	27.73	58	2.40	61	4434	23.95	57	2.80	69	3922	21.18	56	3.00	35	7838	42.33	34	0.90	40	6851	37.00	36	1.00	47	5792	31.28	34	1.10	51	5368	28.99	36	1.25	56	4871	26.31	36	1.40	65	4186	22.61	36	1.65	74	3655	19.74	36	1.85	88	3099	16.74	35	2.20	8.2	33302	179.86	171	1.45	8.9	30589	165.21	171	1.55	10	26771	144.59	171	1.75	11	24013	129.69	171	2.00	13	20848	112.60	171	2.22	14	18915	102.16	171	2.30	17	16293	88.00	171	2.50	13	20335	109.83	135	1.50	17	16268	87.86	135	1.85	19	14468	78.14	135	2.10	22	12605	68.08	135	2.40	24	11246	60.74	135	2.70	15	18556	100.22	88	0.90	16	16969	91.65	88	1.00	18	14766	79.75	88	1.15	21	13031	70.38	87	1.30	24	11298	61.02	86	1.50	27	10052	54.29	85	1.70	31	8663	46.79	83	1.95	39	7040	38.02	81	2.40	47	5795	31.30	78	3.00	21	13137	70.95	61	0.95	23	11591	62.60	61	1.05	27	10011	54.07	61	1.25	31	8854	47.82	61	1.40	37	7441	40.19	61	1.65	40	6723	36.31	60	1.85	47	5818	31.42	59	2.10	53	5134	27.73	58	2.40	61	4434	23.95	57	2.80	69	3922	21.18	56	3.00	35	7838	42.33	34	0.90	40	6851	37.00	36	1.00	47	5792	31.28	34	1.10	51	5368	28.99	36	1.25	56	4871	26.31	36	1.40	65	4186	22.61	36	1.65	74	3655	19.74	36	1.85	88	3099	16.74	35	2.20																																																								
9	28671	163	171	1.70			6.9	37466	213	135	0.85			GK169R109 GKA169R109	4P	66	4142	22.37			19	1.00	7.2			36059	205	135	0.85	8.2	31661	180	135	1.00		9.2	27967		159		135	1.10		11			23746	135	135	1.30	12	20756	118	135	1.50	8.2	33302	179.86	171	1.45	8.9	30589	165.21	171	1.55	10	26771	144.59	171	1.75	GK189 GKA189	4P			106			3066			16.56	20	1.35			11	24013	129.69	171	2.00	13	20848			112.60	171	2.22	14	18915	102.16	171	2.30	17	16293	88.00	171	2.50	13	20335	109.83	135	1.50	GK169R109 GKA169R109	4P	123	2220	11.99			20	1.65	17	16268	87.86			135	1.85	19	14468	78.14	135	2.10	22	12605	68.08	135	2.40	24	11246	60.74	135	2.70	15	18556	100.22	88	0.90	16	16969	91.65	88	1.00	18	14766	79.75	88	1.15	GK169R109 GKA169R109	4P	21			13031	70.38	87	1.30	24			11298	61.02	86			1.50	27		10052	54.29				85	1.70	31	8663	46.79	83	1.95	GK159 GKF159 GKA159 GKAF159	4P	39			7040	38.02	81	2.40	47			5795	31.30	78	3.00	21	15963	70.38	81	1.05	23	11591	62.60	61	1.05	27	10011	54.07	61	1.25	31	8854	47.82	61	1.40	37	7441	40.19	61	1.65	GK159 GKF159 GKA159 GKAF159			4P	40	6723	36.31	60			1.85	47	5818	31.42	59	2.10	53	5134	27.73	58	2.40	61	4434	23.95	57	2.80			GK129 GKF129 GKA129 GKAF129							4P	69	3922	21.18	56			3.00	24	12605	68.08	135	2.40	24	11246	60.74	135	2.70	15	18556	100.22	88	0.90	16	16969	91.65	88	1.00	18	14766	79.75	88	1.15	21	13031	70.38	87	1.30	24	11298	61.02	86	1.50	27	10052	54.29	85	1.70	31	8663	46.79	83	1.95	39	7040	38.02	81	2.40	47	5795	31.30	78	3.00	21			13137	70.95	61			0.95	23	11591			62.60	61	1.05	27	10011	54.07	61	1.25	31	8854	47.82	61	1.40	37	7441	40.19	61	1.65	40	6723	36.31	60	1.85	47	5818	31.42	59	2.10	53	5134	27.73	58	2.40	61	4434	23.95	57	2.80	69	3922	21.18	56	3.00	35	7838	42.33	34	0.90	40	6851	37.00	36	1.00	47	5792	31.28	34	1.10	51	5368	28.99	36	1.25	56	4871	26.31	36	1.40	65	4186	22.61	36	1.65	74	3655	19.74	36	1.85	88	3099	16.74	35	2.20	8.2	33302	179.86	171	1.45	8.9	30589	165.21	171	1.55	10	26771	144.59	171	1.75	11	24013	129.69	171	2.00	13	20848	112.60	171	2.22	14	18915	102.16	171	2.30	17	16293	88.00	171	2.50	13	20335	109.83	135	1.50	17	16268	87.86	135	1.85	19	14468	78.14	135	2.10	22	12605	68.08	135	2.40	24	11246	60.74	135	2.70	15	18556	100.22	88	0.90	16	16969	91.65	88	1.00	18	14766	79.75	88	1.15	21	13031	70.38	87	1.30	24	11298	61.02	86	1.50	27	10052	54.29	85	1.70	31	8663	46.79	83	1.95	39	7040	38.02	81	2.40	47	5795	31.30	78	3.00	21	13137	70.95	61	0.95	23	11591	62.60	61	1.05	27	10011	54.07	61	1.25	31	8854	47.82	61	1.40	37	7441	40.19	61	1.65	40	6723	36.31	60	1.85	47	5818	31.42	59	2.10	53	5134	27.73	58	2.40	61	4434	23.95	57	2.80	69	3922	21.18	56	3.00	35	7838	42.33	34	0.90	40	6851	37.00	36	1.00	47	5792	31.28	34	1.10	51	5368	28.99	36	1.25	56	4871	26.31	36	1.40	65	4186	22.61	36	1.65	74	3655	19.74	36	1.85	88	3099	16.74	35	2.20																																																									
6.9	37466	213	135	0.85	GK169R109 GKA169R109	4P	66	4142	22.37	19	1.00					7.2	36059	205			135	0.85	8.2			31661	180	135	1.00	9.2	27967	159	135	1.10		11	23746		135		135	1.30		12	20756	118	135	1.50	8.2	33302	179.86	171	1.45	8.9	30589	165.21	171	1.55	10	26771	144.59	171	1.75	GK189 GKA189	4P	106	3066	16.56	20	1.35					11			24013	129.69	171	2.00	13	20848			112.60	171	2.22	14	18915	102.16	171			2.30	17	16293	88.00	171	2.50	13	20335	109.83	135	1.50	GK169R109 GKA169R109	4P	123	2220	11.99	20	1.65			17	16268	87.86			135	1.85	19	14468	78.14			135	2.10	22	12605	68.08	135	2.40	24	11246	60.74	135	2.70	15	18556	100.22	88	0.90	16	16969	91.65	88	1.00	18	14766	79.75	88	1.15	GK169R109 GKA169R109	4P	21	13031	70.38			87			1.30	24	11298	61.02	86			1.50	27	10052			54.29	85	1.70	31	8663	46.79			83	1.95	GK159 GKF159 GKA159 GKAF159	4P	39	7040	38.02			81			2.40	47	5795	31.30	78			3.00	21	15963	70.38	81	1.05	23	11591	62.60	61	1.05	27	10011	54.07	61	1.25	31	8854	47.82	61	1.40	37	7441	40.19	61	1.65	GK159 GKF159 GKA159 GKAF159	4P	40					6723	36.31	60	1.85			47	5818	31.42	59	2.10	53	5134	27.73	58	2.40	61	4434	23.95	57	2.80	GK129 GKF129 GKA129 GKAF129	4P	69									3922	21.18	56	3.00			24	12605	68.08	135	2.40	24	11246	60.74	135	2.70	15	18556	100.22	88	0.90	16	16969	91.65	88	1.00	18	14766	79.75	88	1.15	21	13031	70.38	87	1.30	24	11298	61.02	86	1.50	27	10052	54.29	85	1.70	31	8663	46.79	83	1.95	39	7040	38.02	81	2.40	47	5795	31.30	78	3.00	21	13137	70.95	61	0.95	23	11591			62.60	61	1.05			27	10011	54.07	61	1.25	31	8854	47.82	61	1.40	37	7441	40.19	61	1.65	40	6723	36.31	60	1.85	47	5818	31.42	59	2.10	53	5134	27.73	58	2.40	61	4434	23.95	57	2.80	69	3922	21.18	56	3.00	35	7838	42.33	34	0.90	40	6851	37.00	36	1.00	47	5792	31.28	34	1.10	51	5368	28.99	36	1.25	56	4871	26.31	36	1.40	65	4186	22.61	36	1.65	74	3655	19.74	36	1.85	88	3099	16.74	35	2.20	8.2	33302	179.86	171	1.45	8.9	30589	165.21	171	1.55	10	26771	144.59	171	1.75	11	24013	129.69	171	2.00	13	20848	112.60	171	2.22	14	18915	102.16	171	2.30	17	16293	88.00	171	2.50	13	20335	109.83	135	1.50	17	16268	87.86	135	1.85	19	14468	78.14	135	2.10	22	12605	68.08	135	2.40	24	11246	60.74	135	2.70	15	18556	100.22	88	0.90	16	16969	91.65	88	1.00	18	14766	79.75	88	1.15	21	13031	70.38	87	1.30	24	11298	61.02	86	1.50	27	10052	54.29	85	1.70	31	8663	46.79	83	1.95	39	7040	38.02	81	2.40	47	5795	31.30	78	3.00	21	13137	70.95	61	0.95	23	11591	62.60	61	1.05	27	10011	54.07	61	1.25	31	8854	47.82	61	1.40	37	7441	40.19	61	1.65	40	6723	36.31	60	1.85	47	5818	31.42	59	2.10	53	5134	27.73	58	2.40	61	4434	23.95	57	2.80	69	3922	21.18	56	3.00	35	7838	42.33	34	0.90	40	6851	37.00	36	1.00	47	5792	31.28	34	1.10	51	5368	28.99	36	1.25	56	4871	26.31	36	1.40	65	4186	22.61	36	1.65	74	3655	19.74	36	1.85	88	3099	16.74	35	2.20																																																												
7.2	36059	205	135	0.85			8.2	31661	180	135	1.00					9.2	27967	159			135	1.10	11			23746	135	135	1.30	12	20756	118	135	1.50		8.2	33302		179.86	171	1.45	8.9	30589	165.21	171	1.55	10	26771	144.59	171	1.75	GK189 GKA189	4P	106	3066	16.56	20	1.35	11	24013	129.69	171	2.00			13	20848	112.60	171	2.22					14	18915	102.16	171	2.30	17	16293	88.00	171			2.50	13	20335	109.83	135	1.50	GK169R109 GKA169R109	4P	123	2220	11.99	20	1.65	17	16268	87.86	135	1.85	19	14468			78.14	135	2.10	22	12605			68.08	135	2.40			24	11246	60.74	135	2.70			15	18556	100.22	88	0.90	16	16969	91.65	88	1.00	18	14766	79.75	88	1.15	GK169R109 GKA169R109	4P	21	13031	70.38	87	1.30	24	11298	61.02	86	1.50			27	10052	54.29			85			1.70	31	8663	46.79	83	1.95	GK159 GKF159 GKA159 GKAF159	4P	39	7040		38.02	81	2.40	47	5795	31.30	78	3.00		21	15963			70.38	81	1.05			23			11591	62.60	61	1.05	27			10011	54.07	61	1.25	31	8854	47.82	61	1.40	37	7441	40.19	61	1.65	GK159 GKF159 GKA159 GKAF159	4P	40	6723	36.31	60	1.85	47	5818	31.42	59	2.10			53					5134	27.73	58	2.40	61	4434	23.95	57	2.80	GK129 GKF129 GKA129 GKAF129	4P	69	3922	21.18	56	3.00	24	12605	68.08	135	2.40			24		11246	60.74						135	2.70	15	18556			100.22	88	0.90	16	16969	91.65	88	1.00	18	14766	79.75	88	1.15	21	13031	70.38	87	1.30	24	11298	61.02	86	1.50	27	10052	54.29	85	1.70	31	8663	46.79	83	1.95	39	7040	38.02	81	2.40	47	5795	31.30	78	3.00	21	13137	70.95	61	0.95	23	11591	62.60	61	1.05	27	10011	54.07	61	1.25	31	8854	47.82	61	1.40	37	7441	40.19	61			1.65	40	6723	36.31	60	1.85	47	5818	31.42	59	2.10	53	5134	27.73	58	2.40	61	4434	23.95	57	2.80	69	3922	21.18	56	3.00	35	7838	42.33	34	0.90	40	6851	37.00	36	1.00	47	5792	31.28	34	1.10	51	5368	28.99	36	1.25	56	4871	26.31	36	1.40	65	4186	22.61	36	1.65	74	3655	19.74	36	1.85	88	3099	16.74	35	2.20	8.2	33302	179.86	171	1.45	8.9	30589	165.21	171	1.55	10	26771	144.59	171	1.75	11	24013	129.69	171	2.00	13	20848	112.60	171	2.22	14	18915	102.16	171	2.30	17	16293	88.00	171	2.50	13	20335	109.83	135	1.50	17	16268	87.86	135	1.85	19	14468	78.14	135	2.10	22	12605	68.08	135	2.40	24	11246	60.74	135	2.70	15	18556	100.22	88	0.90	16	16969	91.65	88	1.00	18	14766	79.75	88	1.15	21	13031	70.38	87	1.30	24	11298	61.02	86	1.50	27	10052	54.29	85	1.70	31	8663	46.79	83	1.95	39	7040	38.02	81	2.40	47	5795	31.30	78	3.00	21	13137	70.95	61	0.95	23	11591	62.60	61	1.05	27	10011	54.07	61	1.25	31	8854	47.82	61	1.40	37	7441	40.19	61	1.65	40	6723	36.31	60	1.85	47	5818	31.42	59	2.10	53	5134	27.73	58	2.40	61	4434	23.95	57	2.80	69	3922	21.18	56	3.00	35	7838	42.33	34	0.90	40	6851	37.00	36	1.00	47	5792	31.28	34	1.10	51	5368	28.99	36	1.25	56	4871	26.31	36	1.40	65	4186	22.61	36	1.65	74	3655	19.74	36	1.85	88	3099	16.74	35	2.20																																																																										
8.2	31661	180	135	1.00			9.2	27967	159	135	1.10					11	23746	135			135	1.30	12			20756	118	135	1.50	8.2	33302	179.86	171	1.45	8.9	30589	165.21	171	1.55	10	26771	144.59	171	1.75	GK189 GKA189	4P	106	3066	16.56	20	1.35			11	24013	129.69	171	2.00	13	20848	112.60	171	2.22			14	18915	102.16	171	2.30			17	16293	88.00	171	2.50	13	20335	109.83	135	1.50	GK169R109 GKA169R109	4P	123	2220	11.99	20	1.65	17	16268			87.86	135	1.85	19	14468	78.14	135	2.10	22	12605	68.08	135			2.40	24	11246	60.74	135			2.70	15	18556			100.22	88	0.90	16	16969			91.65	88	1.00	18	14766	79.75	88	1.15	GK169R109 GKA169R109	4P	21	13031	70.38	87	1.30			24	11298	61.02	86	1.50	27	10052	54.29	85	1.70			31	8663	46.79			83	1.95	GK159 GKF159 GKA159 GKAF159	4P	39	7040	38.02	81	2.40			47	5795	31.30	78	3.00	21	15963	70.38	81	1.05	23	11591	62.60	61			1.05	27	10011			54.07			61	1.25	31	8854	47.82			61	1.40	37	7441	40.19	61	1.65	GK159 GKF159 GKA159 GKAF159	4P	40	6723	36.31	60	1.85			47	5818	31.42	59	2.10	53	5134	27.73	58	2.40			61		4434	23.95		57	2.80	GK129 GKF129 GKA129 GKAF129	4P	69	3922	21.18	56	3.00			24	12605	68.08	135	2.40	24	11246	60.74	135	2.70			15		18556	100.22		88	0.90			16	16969	91.65	88			1.00	18	14766	79.75	88	1.15	21	13031	70.38	87	1.30	24	11298	61.02	86	1.50	27	10052	54.29	85	1.70	31	8663	46.79	83	1.95	39	7040	38.02	81	2.40	47	5795	31.30	78	3.00	21	13137	70.95	61	0.95	23	11591	62.60	61	1.05	27	10011	54.07	61	1.25	31	8854	47.82	61	1.40	37	7441	40.19	61	1.65	40	6723	36.31	60	1.85	47	5818	31.42	59	2.10	53	5134	27.73	58	2.40	61	4434	23.95	57	2.80	69	3922	21.18	56	3.00	35	7838	42.33	34	0.90	40	6851	37.00	36	1.00	47	5792	31.28	34	1.10	51	5368	28.99	36	1.25	56	4871	26.31	36	1.40	65	4186	22.61	36	1.65	74	3655	19.74	36	1.85	88	3099	16.74	35	2.20	8.2	33302	179.86	171	1.45	8.9	30589	165.21	171	1.55	10	26771	144.59	171	1.75	11	24013	129.69	171	2.00	13	20848	112.60	171	2.22	14	18915	102.16	171	2.30	17	16293	88.00	171	2.50	13	20335	109.83	135	1.50	17	16268	87.86	135	1.85	19	14468	78.14	135	2.10	22	12605	68.08	135	2.40	24	11246	60.74	135	2.70	15	18556	100.22	88	0.90	16	16969	91.65	88	1.00	18	14766	79.75	88	1.15	21	13031	70.38	87	1.30	24	11298	61.02	86	1.50	27	10052	54.29	85	1.70	31	8663	46.79	83	1.95	39	7040	38.02	81	2.40	47	5795	31.30	78	3.00	21	13137	70.95	61	0.95	23	11591	62.60	61	1.05	27	10011	54.07	61	1.25	31	8854	47.82	61	1.40	37	7441	40.19	61	1.65	40	6723	36.31	60	1.85	47	5818	31.42	59	2.10	53	5134	27.73	58	2.40	61	4434	23.95	57	2.80	69	3922	21.18	56	3.00	35	7838	42.33	34	0.90	40	6851	37.00	36	1.00	47	5792	31.28	34	1.10	51	5368	28.99	36	1.25	56	4871	26.31	36	1.40	65	4186	22.61	36	1.65	74	3655	19.74	36	1.85	88	3099	16.74	35	2.20																																																																																			
9.2	27967	159	135	1.10			11	23746	135	135	1.30					12	20756	118			135	1.50	8.2			33302	179.86	171	1.45	8.9	30589	165.21	171	1.55	10	26771	144.59	171	1.75	GK189 GKA189	4P	106	3066	16.56			20	1.35	11	24013	129.69			171	2.00	13	20848	112.60	171	2.22	14	18915	102.16			171	2.30	17	16293	88.00	171	2.50	13	20335	109.83	135	1.50	GK169R109 GKA169R109	4P	123	2220	11.99			20	1.65	17	16268	87.86	135	1.85			19	14468	78.14	135	2.10	22	12605	68.08	135	2.40	24	11246			60.74	135	2.70	15	18556			100.22	88	0.90			16	16969	91.65	88	1.00			18	14766	79.75	88	1.15	GK169R109 GKA169R109	4P	21			13031	70.38	87	1.30	24			11298	61.02	86	1.50	27	10052	54.29	85	1.70	31			8663	46.79	83	1.95	GK159 GKF159 GKA159 GKAF159	4P	39			7040	38.02	81	2.40	47			5795	31.30	78	3.00	21	15963	70.38	81	1.05	23	11591	62.60	61	1.05			27	10011	54.07			61			1.25	31	8854	47.82	61			1.40	37	7441	40.19	61	1.65	GK159 GKF159 GKA159 GKAF159			4P	40	6723	36.31	60			1.85	47	5818	31.42	59	2.10	53	5134	27.73	58			2.40	61	4434	23.95	57	2.80	GK129 GKF129 GKA129 GKAF129			4P	69	3922	21.18	56			3.00	24	12605	68.08	135	2.40	24	11246	60.74	135			2.70		15	18556		100.22	88			0.90	16	16969	91.65			88	1.00	18	14766	79.75	88	1.15	21	13031	70.38	87	1.30	24	11298	61.02	86	1.50	27	10052	54.29	85	1.70	31	8663	46.79	83	1.95	39	7040	38.02	81	2.40	47	5795	31.30	78	3.00	21	13137	70.95	61	0.95	23	11591	62.60	61	1.05	27	10011	54.07	61	1.25	31	8854	47.82	61	1.40	37	7441	40.19	61	1.65	40	6723	36.31	60	1.85	47	5818	31.42	59	2.10	53	5134	27.73	58	2.40	61	4434	23.95	57	2.80	69	3922	21.18	56	3.00	35	7838	42.33	34	0.90	40	6851	37.00	36	1.00	47	5792	31.28	34	1.10	51	5368	28.99	36	1.25	56	4871	26.31	36	1.40	65	4186	22.61	36	1.65	74	3655	19.74	36	1.85	88	3099	16.74	35	2.20	8.2	33302	179.86	171	1.45	8.9	30589	165.21	171	1.55	10	26771	144.59	171	1.75	11	24013	129.69	171	2.00	13	20848	112.60	171	2.22	14	18915	102.16	171	2.30	17	16293	88.00	171	2.50	13	20335	109.83	135	1.50	17	16268	87.86	135	1.85	19	14468	78.14	135	2.10	22	12605	68.08	135	2.40	24	11246	60.74	135	2.70	15	18556	100.22	88	0.90	16	16969	91.65	88	1.00	18	14766	79.75	88	1.15	21	13031	70.38	87	1.30	24	11298	61.02	86	1.50	27	10052	54.29	85	1.70	31	8663	46.79	83	1.95	39	7040	38.02	81	2.40	47	5795	31.30	78	3.00	21	13137	70.95	61	0.95	23	11591	62.60	61	1.05	27	10011	54.07	61	1.25	31	8854	47.82	61	1.40	37	7441	40.19	61	1.65	40	6723	36.31	60	1.85	47	5818	31.42	59	2.10	53	5134	27.73	58	2.40	61	4434	23.95	57	2.80	69	3922	21.18	56	3.00	35	7838	42.33	34	0.90	40	6851	37.00	36	1.00	47	5792	31.28	34	1.10	51	5368	28.99	36	1.25	56	4871	26.31	36	1.40	65	4186	22.61	36	1.65	74	3655	19.74	36	1.85	88	3099	16.74	35	2.20																																																																																		
11	23746	135	135	1.30			12	20756	118	135	1.50	8.2	33302			179.86	171	1.45			8.9	30589	165.21			171	1.55	10	26771	144.59	171	1.75	GK189 GKA189	4P	106	3066	16.56	20	1.35			11	24013	129.69			171	2.00	13	20848	112.60			171	2.22	14	18915	102.16	171	2.30	17	16293	88.00	171	2.50	13	20335	109.83	135	1.50	GK169R109 GKA169R109	4P	123	2220	11.99	20	1.65			17	16268	87.86			135	1.85	19	14468	78.14	135	2.10			22	12605	68.08	135	2.40	24	11246	60.74	135	2.70	15	18556			100.22	88	0.90	16	16969			91.65	88	1.00			18	14766	79.75	88	1.15			GK169R109 GKA169R109	4P	21	13031	70.38			87			1.30	24	11298	61.02	86			1.50	27	10052	54.29	85	1.70	31	8663	46.79	83	1.95	GK159 GKF159 GKA159 GKAF159	4P	39	7040	38.02			81			2.40	47	5795	31.30	78			3.00	21	15963	70.38	81	1.05	23	11591	62.60	61	1.05	27	10011	54.07			61	1.25	31			8854			47.82	61	1.40	37	7441			40.19	61	1.65	GK159 GKF159 GKA159 GKAF159	4P	40					6723	36.31	60	1.85			47	5818	31.42	59	2.10	53	5134	27.73	58	2.40	61	4434	23.95	57	2.80	GK129 GKF129 GKA129 GKAF129	4P	69					3922	21.18	56	3.00			24	12605	68.08	135	2.40	24	11246	60.74	135	2.70			15		18556	100.22		88	0.90			16	16969	91.65	88			1.00	18	14766	79.75	88	1.15	21	13031	70.38	87	1.30	24	11298	61.02	86	1.50	27	10052	54.29	85	1.70	31	8663	46.79	83	1.95	39	7040	38.02	81	2.40	47	5795	31.30	78	3.00	21	13137	70.95	61	0.95	23	11591	62.60	61	1.05	27	10011	54.07	61	1.25	31	8854	47.82	61	1.40	37	7441	40.19	61	1.65	40	6723	36.31	60	1.85	47	5818	31.42	59	2.10	53	5134	27.73	58	2.40	61	4434	23.95	57	2.80	69	3922	21.18	56	3.00	35	7838	42.33	34	0.90	40	6851	37.00	36	1.00	47	5792	31.28	34	1.10	51	5368	28.99	36	1.25	56	4871	26.31	36	1.40	65	4186	22.61	36	1.65	74	3655	19.74	36	1.85	88	3099	16.74	35	2.20	8.2	33302	179.86	171	1.45	8.9	30589	165.21	171	1.55	10	26771	144.59	171	1.75	11	24013	129.69	171	2.00	13	20848	112.60	171	2.22	14	18915	102.16	171	2.30	17	16293	88.00	171	2.50	13	20335	109.83	135	1.50	17	16268	87.86	135	1.85	19	14468	78.14	135	2.10	22	12605	68.08	135	2.40	24	11246	60.74	135	2.70	15	18556	100.22	88	0.90	16	16969	91.65	88	1.00	18	14766	79.75	88	1.15	21	13031	70.38	87	1.30	24	11298	61.02	86	1.50	27	10052	54.29	85	1.70	31	8663	46.79	83	1.95	39	7040	38.02	81	2.40	47	5795	31.30	78	3.00	21	13137	70.95	61	0.95	23	11591	62.60	61	1.05	27	10011	54.07	61	1.25	31	8854	47.82	61	1.40	37	7441	40.19	61	1.65	40	6723	36.31	60	1.85	47	5818	31.42	59	2.10	53	5134	27.73	58	2.40	61	4434	23.95	57	2.80	69	3922	21.18	56	3.00	35	7838	42.33	34	0.90	40	6851	37.00	36	1.00	47	5792	31.28	34	1.10	51	5368	28.99	36	1.25	56	4871	26.31	36	1.40	65	4186	22.61	36	1.65	74	3655	19.74	36	1.85	88	3099	16.74	35	2.20																																																																																			
12	20756	118	135	1.50			8.2	33302	179.86	171	1.45	8.9	30589			165.21	171	1.55			10	26771	144.59	171	1.75	GK189 GKA189	4P	106	3066	16.56	20	1.35			11	24013	129.69	171	2.00			13	20848	112.60			171	2.22	14	18915	102.16	171	2.30	17	16293	88.00	171	2.50	13	20335	109.83	135	1.50	GK169R109 GKA169R109	4P	123	2220	11.99	20	1.65			17	16268	87.86	135	1.85			19	14468	78.14			135	2.10	22	12605	68.08	135	2.40			24	11246	60.74	135	2.70	15	18556	100.22	88	0.90	16	16969			91.65	88	1.00	18	14766			79.75	88	1.15			GK169R109 GKA169R109	4P	21	13031	70.38	87	1.30			24	11298	61.02			86			1.50	27	10052	54.29	85	1.70	31	8663	46.79	83	1.95	GK159 GKF159 GKA159 GKAF159	4P	39	7040	38.02	81	2.40			47	5795	31.30			78			3.00	21	15963	70.38	81			1.05	23	11591	62.60	61	1.05	27	10011	54.07	61	1.25	31	8854	47.82			61	1.40	37			7441			40.19	61	1.65	GK159 GKF159 GKA159 GKAF159	4P	40	6723	36.31	60	1.85			47					5818	31.42	59	2.10	53	5134	27.73	58	2.40	61	4434	23.95	57	2.80	GK129 GKF129 GKA129 GKAF129	4P	69	3922	21.18	56	3.00			24					12605	68.08	135	2.40			24	11246	60.74	135	2.70	15	18556	100.22	88	0.90			16		16969	91.65		88	1.00			18	14766	79.75	88	1.15	21	13031	70.38	87	1.30	24	11298	61.02	86	1.50	27	10052	54.29	85	1.70	31	8663	46.79	83	1.95	39	7040	38.02	81	2.40	47	5795	31.30	78	3.00	21	13137	70.95	61	0.95	23	11591	62.60	61	1.05	27	10011	54.07	61	1.25	31	8854	47.82	61	1.40	37	7441	40.19	61	1.65	40	6723	36.31	60	1.85	47	5818	31.42	59	2.10	53	5134	27.73	58	2.40	61	4434	23.95	57	2.80	69	3922	21.18	56	3.00	35	7838	42.33	34	0.90	40	6851	37.00	36	1.00	47	5792	31.28	34	1.10	51	5368	28.99	36	1.25	56	4871	26.31	36	1.40	65	4186	22.61	36	1.65	74	3655	19.74	36	1.85	88	3099	16.74	35	2.20	8.2	33302	179.86	171	1.45	8.9	30589	165.21	171	1.55	10	26771	144.59	171	1.75	11	24013	129.69	171	2.00	13	20848	112.60	171	2.22	14	18915	102.16	171	2.30	17	16293	88.00	171	2.50	13	20335	109.83	135	1.50	17	16268	87.86	135	1.85	19	14468	78.14	135	2.10	22	12605	68.08	135	2.40	24	11246	60.74	135	2.70	15	18556	100.22	88	0.90	16	16969	91.65	88	1.00	18	14766	79.75	88	1.15	21	13031	70.38	87	1.30	24	11298	61.02	86	1.50	27	10052	54.29	85	1.70	31	8663	46.79	83	1.95	39	7040	38.02	81	2.40	47	5795	31.30	78	3.00	21	13137	70.95	61	0.95	23	11591	62.60	61	1.05	27	10011	54.07	61	1.25	31	8854	47.82	61	1.40	37	7441	40.19	61	1.65	40	6723	36.31	60	1.85	47	5818	31.42	59	2.10	53	5134	27.73	58	2.40	61	4434	23.95	57	2.80	69	3922	21.18	56	3.00	35	7838	42.33	34	0.90	40	6851	37.00	36	1.00	47	5792	31.28	34	1.10	51	5368	28.99	36	1.25	56	4871	26.31	36	1.40	65	4186	22.61	36	1.65	74	3655	19.74	36	1.85	88	3099	16.74	35	2.20																																																																																										
8.2	33302	179.86	171	1.45			8.9	30589	165.21	171	1.55	10	26771			144.59	171	1.75	GK189 GKA189	4P	106	3066	16.56	20	1.35			11	24013	129.69	171	2.00			13	20848	112.60	171	2.22			14	18915	102.16	171	2.30	17	16293	88.00	171	2.50	13	20335	109.83	135	1.50	GK169R109 GKA169R109	4P	123	2220	11.99	20	1.65			17	16268	87.86	135	1.85			19	14468	78.14	135	2.10			22	12605	68.08			135	2.40	24	11246	60.74	135	2.70			15	18556	100.22	88	0.90	16	16969	91.65	88	1.00	18	14766			79.75	88	1.15	GK169R109 GKA169R109	4P			21	13031	70.38	87	1.30			24	11298	61.02	86	1.50			27	10052	54.29			85	1.70	31	8663	46.79	83	1.95	GK159 GKF159 GKA159 GKAF159	4P	39	7040	38.02	81	2.40			47	5795	31.30	78	3.00			21	15963	70.38			81			1.05	23	11591	62.60	61			1.05	27	10011	54.07	61	1.25	31	8854	47.82	61	1.40	37	7441	40.19			61	1.65	GK159 GKF159 GKA159 GKAF159			4P	40	6723	36.31	60	1.85			47	5818	31.42	59	2.10			53		5134	27.73		58	2.40	61	4434	23.95	57	2.80	GK129 GKF129 GKA129 GKAF129	4P	69	3922	21.18	56	3.00			24	12605	68.08	135	2.40			24					11246	60.74	135	2.70			15	18556	100.22	88	0.90	16	16969	91.65	88	1.00			18		14766	79.75	88	1.15	21	13031		70.38	87	1.30	24	11298	61.02	86	1.50	27	10052	54.29	85	1.70	31	8663	46.79	83	1.95	39	7040	38.02	81	2.40	47	5795	31.30	78	3.00	21	13137	70.95	61	0.95	23	11591	62.60	61	1.05	27	10011	54.07	61	1.25	31	8854	47.82	61	1.40	37	7441	40.19	61	1.65	40	6723	36.31	60	1.85	47	5818	31.42	59	2.10	53	5134	27.73	58	2.40	61	4434	23.95	57	2.80	69	3922	21.18	56	3.00	35	7838	42.33	34	0.90	40	6851	37.00	36	1.00	47	5792	31.28	34	1.10	51	5368	28.99	36	1.25	56	4871	26.31	36	1.40	65	4186	22.61	36	1.65	74	3655	19.74	36	1.85	88	3099	16.74	35	2.20	8.2	33302	179.86	171	1.45	8.9	30589	165.21	171	1.55	10	26771	144.59	171	1.75	11	24013	129.69	171	2.00	13	20848	112.60	171	2.22	14	18915	102.16	171	2.30	17	16293	88.00	171	2.50	13	20335	109.83	135	1.50	17	16268	87.86	135	1.85	19	14468	78.14	135	2.10	22	12605	68.08	135	2.40	24	11246	60.74	135	2.70	15	18556	100.22	88	0.90	16	16969	91.65	88	1.00	18	14766	79.75	88	1.15	21	13031	70.38	87	1.30	24	11298	61.02	86	1.50	27	10052	54.29	85	1.70	31	8663	46.79	83	1.95	39	7040	38.02	81	2.40	47	5795	31.30	78	3.00	21	13137	70.95	61	0.95	23	11591	62.60	61	1.05	27	10011	54.07	61	1.25	31	8854	47.82	61	1.40	37	7441	40.19	61	1.65	40	6723	36.31	60	1.85	47	5818	31.42	59	2.10	53	5134	27.73	58	2.40	61	4434	23.95	57	2.80	69	3922	21.18	56	3.00	35	7838	42.33	34	0.90	40	6851	37.00	36	1.00	47	5792	31.28	34	1.10	51	5368	28.99	36	1.25	56	4871	26.31	36	1.40	65	4186	22.61	36	1.65	74	3655	19.74	36	1.85	88	3099	16.74	35	2.20																																																																																																	
8.9	30589	165.21	171	1.55			10	26771	144.59	171	1.75	GK189 GKA189	4P	106	3066	16.56	20	1.35			11	24013	129.69	171	2.00			13	20848	112.60	171	2.22			14	18915	102.16	171	2.30	17	16293	88.00	171	2.50	13	20335	109.83	135	1.50	GK169R109 GKA169R109	4P	123	2220	11.99	20	1.65			17	16268	87.86	135	1.85			19	14468	78.14	135	2.10			22	12605	68.08	135	2.40			24	11246	60.74			135	2.70	15	18556	100.22	88	0.90			16	16969	91.65	88	1.00	18	14766	79.75	88	1.15	GK169R109 GKA169R109	4P			21	13031	70.38			87	1.30	24	11298	61.02	86	1.50			27	10052	54.29	85	1.70			31	8663	46.79	83	1.95	GK159 GKF159 GKA159 GKAF159	4P	39	7040	38.02	81	2.40			47	5795	31.30	78	3.00			21	15963	70.38	81	1.05			23	11591	62.60			61			1.05	27	10011	54.07	61			1.25	31	8854	47.82	61	1.40	37	7441	40.19	61	1.65	GK159 GKF159 GKA159 GKAF159	4P	40			6723	36.31		60	1.85		47	5818	31.42	59	2.10			53	5134	27.73	58	2.40			61	4434	23.95	57	2.80	GK129 GKF129 GKA129 GKAF129	4P	69	3922	21.18	56	3.00			24	12605	68.08	135	2.40			24	11246	60.74	135	2.70			15					18556	100.22	88	0.90			16	16969	91.65	88	1.00	18	14766	79.75	88	1.15			21	13031	70.38	87	1.30	24	11298	61.02	86	1.50	27	10052	54.29	85	1.70	31	8663	46.79	83	1.95	39	7040	38.02	81	2.40	47	5795	31.30	78	3.00	21	13137	70.95	61	0.95	23	11591	62.60	61	1.05	27	10011	54.07	61	1.25	31	8854	47.82	61	1.40	37	7441	40.19	61	1.65	40	6723	36.31	60	1.85	47	5818	31.42	59	2.10	53	5134	27.73	58	2.40	61	4434	23.95	57	2.80	69	3922	21.18	56	3.00	35	7838	42.33	34	0.90	40	6851	37.00	36	1.00	47	5792	31.28	34	1.10	51	5368	28.99	36	1.25	56	4871	26.31	36	1.40	65	4186	22.61	36	1.65	74	3655	19.74	36	1.85	88	3099	16.74	35	2.20	8.2	33302	179.86	171	1.45	8.9	30589	165.21	171	1.55	10	26771	144.59	171	1.75	11	24013	129.69	171	2.00	13	20848	112.60	171	2.22	14	18915	102.16	171	2.30	17	16293	88.00	171	2.50	13	20335	109.83	135	1.50	17	16268	87.86	135	1.85	19	14468	78.14	135	2.10	22	12605	68.08	135	2.40	24	11246	60.74	135	2.70	15	18556	100.22	88	0.90	16	16969	91.65	88	1.00	18	14766	79.75	88	1.15	21	13031	70.38	87	1.30	24	11298	61.02	86	1.50	27	10052	54.29	85	1.70	31	8663	46.79	83	1.95	39	7040	38.02	81	2.40	47	5795	31.30	78	3.00	21	13137	70.95	61	0.95	23	11591	62.60	61	1.05	27	10011	54.07	61	1.25	31	8854	47.82	61	1.40	37	7441	40.19	61	1.65	40	6723	36.31	60	1.85	47	5818	31.42	59	2.10	53	5134	27.73	58	2.40	61	4434	23.95	57	2.80	69	3922	21.18	56	3.00	35	7838	42.33	34	0.90	40	6851	37.00	36	1.00	47	5792	31.28	34	1.10	51	5368	28.99	36	1.25	56	4871	26.31	36	1.40	65	4186	22.61	36	1.65	74	3655	19.74	36	1.85	88	3099	16.74	35	2.20																																																																																																								
10	26771	144.59	171	1.75	GK189 GKA189	4P	106	3066	16.56	20	1.35			11	24013	129.69	171	2.00			13	20848	112.60	171	2.22			14	18915	102.16	171	2.30	17	16293	88.00	171	2.50	13	20335	109.83	135	1.50	GK169R109 GKA169R109	4P	123	2220	11.99	20	1.65			17	16268	87.86	135	1.85			19	14468	78.14	135	2.10			22	12605	68.08	135	2.40			24	11246	60.74	135	2.70			15	18556	100.22			88	0.90	16	16969	91.65	88	1.00			18	14766	79.75	88	1.15	GK169R109 GKA169R109	4P	21	13031	70.38			87	1.30	24	11298	61.02			86	1.50	27	10052	54.29	85	1.70			31	8663	46.79	83	1.95	GK159 GKF159 GKA159 GKAF159	4P	39	7040	38.02	81	2.40			47	5795	31.30	78	3.00			21	15963	70.38	81	1.05			23	11591	62.60	61	1.05			27	10011	54.07			61			1.25	31	8854	47.82	61			1.40	37	7441	40.19	61	1.65	GK159 GKF159 GKA159 GKAF159	4P	40	6723	36.31			60	1.85	47	5818	31.42		59	2.10		53	5134	27.73	58	2.40			61	4434	23.95	57	2.80	GK129 GKF129 GKA129 GKAF129	4P	69	3922	21.18	56	3.00			24	12605	68.08	135	2.40			24	11246	60.74	135	2.70			15	18556	100.22	88	0.90			16					16969	91.65	88	1.00			18	14766	79.75	88	1.15	21	13031	70.38	87	1.30	24	11298	61.02	86	1.50	27	10052	54.29	85	1.70	31	8663	46.79	83	1.95	39	7040	38.02	81	2.40	47	5795	31.30	78	3.00	21	13137	70.95	61	0.95	23	11591	62.60	61	1.05	27	10011	54.07	61	1.25	31	8854	47.82	61	1.40	37	7441	40.19	61	1.65	40	6723	36.31	60	1.85	47	5818	31.42	59	2.10	53	5134	27.73	58	2.40	61	4434	23.95	57	2.80	69	3922	21.18	56	3.00	35	7838	42.33	34	0.90	40	6851	37.00	36	1.00	47	5792	31.28	34	1.10	51	5368	28.99	36	1.25	56	4871	26.31	36	1.40	65	4186	22.61	36	1.65	74	3655	19.74	36	1.85	88	3099	16.74	35	2.20	8.2	33302	179.86	171	1.45	8.9	30589	165.21	171	1.55	10	26771	144.59	171	1.75	11	24013	129.69	171	2.00	13	20848	112.60	171	2.22	14	18915	102.16	171	2.30	17	16293	88.00	171	2.50	13	20335	109.83	135	1.50	17	16268	87.86	135	1.85	19	14468	78.14	135	2.10	22	12605	68.08	135	2.40	24	11246	60.74	135	2.70	15	18556	100.22	88	0.90	16	16969	91.65	88	1.00	18	14766	79.75	88	1.15	21	13031	70.38	87	1.30	24	11298	61.02	86	1.50	27	10052	54.29	85	1.70	31	8663	46.79	83	1.95	39	7040	38.02	81	2.40	47	5795	31.30	78	3.00	21	13137	70.95	61	0.95	23	11591	62.60	61	1.05	27	10011	54.07	61	1.25	31	8854	47.82	61	1.40	37	7441	40.19	61	1.65	40	6723	36.31	60	1.85	47	5818	31.42	59	2.10	53	5134	27.73	58	2.40	61	4434	23.95	57	2.80	69	3922	21.18	56	3.00	35	7838	42.33	34	0.90	40	6851	37.00	36	1.00	47	5792	31.28	34	1.10	51	5368	28.99	36	1.25	56	4871	26.31	36	1.40	65	4186	22.61	36	1.65	74	3655	19.74	36	1.85	88	3099	16.74	35	2.20																																																																																																															
11	24013	129.69	171	2.00			13	20848	112.60	171	2.22			14	18915	102.16	171	2.30			17	16293	88.00	171	2.50	13	20335	109.83	135	1.50	GK169R109 GKA169R109	4P	123	2220	11.99	20	1.65	17	16268	87.86	135	1.85			19	14468	78.14	135	2.10			22	12605	68.08	135	2.40			24	11246	60.74	135	2.70			15	18556	100.22	88	0.90			16	16969	91.65	88	1.00			18	14766	79.75			88	1.15	GK169R109 GKA169R109	4P	21	13031	70.38	87	1.30	24	11298	61.02	86	1.50			27	10052	54.29			85	1.70	31	8663	46.79			83	1.95	GK159 GKF159 GKA159 GKAF159	4P	39	7040	38.02	81	2.40	47	5795	31.30	78	3.00			21	15963	70.38	81	1.05			23	11591	62.60	61	1.05			27	10011	54.07	61	1.25			31	8854	47.82	61	1.40			37	7441	40.19			61			1.65	GK159 GKF159 GKA159 GKAF159	4P	40	6723	36.31	60	1.85	47	5818	31.42	59	2.10			53	5134	27.73			58	2.40	61	4434	23.95		57	2.80		GK129 GKF129 GKA129 GKAF129	4P	69	3922	21.18	56	3.00	24	12605	68.08	135	2.40			24	11246	60.74	135	2.70			15	18556	100.22	88	0.90			16	16969	91.65	88	1.00			18	14766	79.75	88	1.15			21					13031	70.38	87	1.30	24	11298	61.02	86	1.50	27	10052	54.29	85	1.70	31	8663	46.79	83	1.95	39	7040	38.02	81	2.40	47	5795	31.30	78	3.00	21	13137	70.95	61	0.95	23	11591	62.60	61	1.05	27	10011	54.07	61	1.25	31	8854	47.82	61	1.40	37	7441	40.19	61	1.65	40	6723	36.31	60	1.85	47	5818	31.42	59	2.10	53	5134	27.73	58	2.40	61	4434	23.95	57	2.80	69	3922	21.18	56	3.00	35	7838	42.33	34	0.90	40	6851	37.00	36	1.00	47	5792	31.28	34	1.10	51	5368	28.99	36	1.25	56	4871	26.31	36	1.40	65	4186	22.61	36	1.65	74	3655	19.74	36	1.85	88	3099	16.74	35	2.20	8.2	33302	179.86	171	1.45	8.9	30589	165.21	171	1.55	10	26771	144.59	171	1.75	11	24013	129.69	171	2.00	13	20848	112.60	171	2.22	14	18915	102.16	171	2.30	17	16293	88.00	171	2.50	13	20335	109.83	135	1.50	17	16268	87.86	135	1.85	19	14468	78.14	135	2.10	22	12605	68.08	135	2.40	24	11246	60.74	135	2.70	15	18556	100.22	88	0.90	16	16969	91.65	88	1.00	18	14766	79.75	88	1.15	21	13031	70.38	87	1.30	24	11298	61.02	86	1.50	27	10052	54.29	85	1.70	31	8663	46.79	83	1.95	39	7040	38.02	81	2.40	47	5795	31.30	78	3.00	21	13137	70.95	61	0.95	23	11591	62.60	61	1.05	27	10011	54.07	61	1.25	31	8854	47.82	61	1.40	37	7441	40.19	61	1.65	40	6723	36.31	60	1.85	47	5818	31.42	59	2.10	53	5134	27.73	58	2.40	61	4434	23.95	57	2.80	69	3922	21.18	56	3.00	35	7838	42.33	34	0.90	40	6851	37.00	36	1.00	47	5792	31.28	34	1.10	51	5368	28.99	36	1.25	56	4871	26.31	36	1.40	65	4186	22.61	36	1.65	74	3655	19.74	36	1.85	88	3099	16.74	35	2.20																																																																																																																											
13	20848	112.60	171	2.22			14	18915	102.16	171	2.30			17	16293	88.00	171	2.50	13	20335	109.83	135	1.50	GK169R109 GKA169R109	4P	123	2220	11.99	20	1.65			17	16268	87.86	135	1.85	19	14468	78.14	135	2.10			22	12605	68.08	135	2.40			24	11246	60.74	135	2.70			15	18556	100.22	88	0.90			16	16969	91.65	88	1.00			18	14766	79.75	88	1.15			GK169R109 GKA169R109	4P	21	13031	70.38	87	1.30			24	11298	61.02	86	1.50	27	10052	54.29	85	1.70			31	8663	46.79			83	1.95	GK159 GKF159 GKA159 GKAF159	4P	39	7040	38.02	81	2.40			47	5795	31.30	78	3.00	21	15963	70.38	81	1.05			23	11591	62.60	61	1.05			27	10011	54.07	61	1.25			31	8854	47.82	61	1.40			37	7441	40.19	61	1.65			GK159 GKF159 GKA159 GKAF159	4P	40			6723	36.31	60	1.85			47	5818	31.42	59	2.10	53	5134	27.73	58	2.40			61	4434	23.95			57	2.80	GK129 GKF129 GKA129 GKAF129	4P	69	3922	21.18	56	3.00			24	12605	68.08	135	2.40	24	11246	60.74	135	2.70			15	18556	100.22	88	0.90			16	16969	91.65	88	1.00			18	14766	79.75	88	1.15			21	13031	70.38	87	1.30			24		11298	61.02		86	1.50	27	10052	54.29	85	1.70	31	8663	46.79	83	1.95	39	7040	38.02	81	2.40	47	5795	31.30	78	3.00	21	13137	70.95	61	0.95	23	11591	62.60	61	1.05	27	10011	54.07	61	1.25	31	8854	47.82	61	1.40	37	7441	40.19	61	1.65	40	6723	36.31	60	1.85	47	5818	31.42	59	2.10	53	5134	27.73	58	2.40	61	4434	23.95	57	2.80	69	3922	21.18	56	3.00	35	7838	42.33	34	0.90	40	6851	37.00	36	1.00	47	5792	31.28	34	1.10	51	5368	28.99	36	1.25	56	4871	26.31	36	1.40	65	4186	22.61	36	1.65	74	3655	19.74	36	1.85	88	3099	16.74	35	2.20	8.2	33302	179.86	171	1.45	8.9	30589	165.21	171	1.55	10	26771	144.59	171	1.75	11	24013	129.69	171	2.00	13	20848	112.60	171	2.22	14	18915	102.16	171	2.30	17	16293	88.00	171	2.50	13	20335	109.83	135	1.50	17	16268	87.86	135	1.85	19	14468	78.14	135	2.10	22	12605	68.08	135	2.40	24	11246	60.74	135	2.70	15	18556	100.22	88	0.90	16	16969	91.65	88	1.00	18	14766	79.75	88	1.15	21	13031	70.38	87	1.30	24	11298	61.02	86	1.50	27	10052	54.29	85	1.70	31	8663	46.79	83	1.95	39	7040	38.02	81	2.40	47	5795	31.30	78	3.00	21	13137	70.95	61	0.95	23	11591	62.60	61	1.05	27	10011	54.07	61	1.25	31	8854	47.82	61	1.40	37	7441	40.19	61	1.65	40	6723	36.31	60	1.85	47	5818	31.42	59	2.10	53	5134	27.73	58	2.40	61	4434	23.95	57	2.80	69	3922	21.18	56	3.00	35	7838	42.33	34	0.90	40	6851	37.00	36	1.00	47	5792	31.28	34	1.10	51	5368	28.99	36	1.25	56	4871	26.31	36	1.40	65	4186	22.61	36	1.65	74	3655	19.74	36	1.85	88	3099	16.74	35	2.20																																																																																																																																		
14	18915	102.16	171	2.30			17	16293	88.00	171	2.50	13	20335	109.83	135	1.50	GK169R109 GKA169R109	4P	123	2220	11.99	20	1.65			17	16268	87.86	135	1.85			19	14468	78.14	135	2.10	22	12605	68.08	135	2.40			24	11246	60.74	135	2.70			15	18556	100.22	88	0.90			16	16969	91.65	88	1.00			18	14766	79.75	88	1.15			GK169R109 GKA169R109	4P	21	13031	70.38	87	1.30			24	11298	61.02	86	1.50			27	10052	54.29	85	1.70	31	8663	46.79	83	1.95			GK159 GKF159 GKA159 GKAF159	4P	39	7040	38.02	81	2.40			47	5795	31.30	78	3.00			21	15963	70.38	81	1.05	23	11591	62.60	61	1.05			27	10011	54.07	61	1.25			31	8854	47.82	61	1.40			37	7441	40.19	61	1.65			GK159 GKF159 GKA159 GKAF159	4P	40	6723	36.31					60	1.85	47	5818	31.42	59	2.10			53	5134	27.73	58	2.40	61	4434	23.95	57	2.80			GK129 GKF129 GKA129 GKAF129	4P	69	3922	21.18	56	3.00			24	12605	68.08	135	2.40			24	11246	60.74	135	2.70	15	18556	100.22	88	0.90			16	16969	91.65	88	1.00			18	14766	79.75	88	1.15			21	13031	70.38	87	1.30			24	11298	61.02	86	1.50			27	10052	54.29	85	1.70	31	8663	46.79	83	1.95	39	7040	38.02	81	2.40	47	5795	31.30	78	3.00	21	13137	70.95	61	0.95	23	11591	62.60	61	1.05	27	10011	54.07	61	1.25	31	8854	47.82	61	1.40	37	7441	40.19	61	1.65	40	6723	36.31	60	1.85	47	5818	31.42	59	2.10	53	5134	27.73	58	2.40	61	4434	23.95	57	2.80	69	3922	21.18	56	3.00	35	7838	42.33	34	0.90	40	6851	37.00	36	1.00	47	5792	31.28	34	1.10	51	5368	28.99	36	1.25	56	4871	26.31	36	1.40	65	4186	22.61	36	1.65	74	3655	19.74	36	1.85	88	3099	16.74	35	2.20	8.2	33302	179.86	171	1.45	8.9	30589	165.21	171	1.55	10	26771	144.59	171	1.75	11	24013	129.69	171	2.00	13	20848	112.60	171	2.22	14	18915	102.16	171	2.30	17	16293	88.00	171	2.50	13	20335	109.83	135	1.50	17	16268	87.86	135	1.85	19	14468	78.14	135	2.10	22	12605	68.08	135	2.40	24	11246	60.74	135	2.70	15	18556	100.22	88	0.90	16	16969	91.65	88	1.00	18	14766	79.75	88	1.15	21	13031	70.38	87	1.30	24	11298	61.02	86	1.50	27	10052	54.29	85	1.70	31	8663	46.79	83	1.95	39	7040	38.02	81	2.40	47	5795	31.30	78	3.00	21	13137	70.95	61	0.95	23	11591	62.60	61	1.05	27	10011	54.07	61	1.25	31	8854	47.82	61	1.40	37	7441	40.19	61	1.65	40	6723	36.31	60	1.85	47	5818	31.42	59	2.10	53	5134	27.73	58	2.40	61	4434	23.95	57	2.80	69	3922	21.18	56	3.00	35	7838	42.33	34	0.90	40	6851	37.00	36	1.00	47	5792	31.28	34	1.10	51	5368	28.99	36	1.25	56	4871	26.31	36	1.40	65	4186	22.61	36	1.65	74	3655	19.74	36	1.85	88	3099	16.74	35	2.20																																																																																																																																									
17	16293	88.00	171	2.50	13	20335	109.83	135	1.50	GK169R109 GKA169R109	4P	123	2220	11.99	20	1.65			17	16268	87.86	135	1.85			19	14468	78.14	135	2.10			22	12605	68.08	135	2.40	24	11246	60.74	135	2.70			15	18556	100.22	88	0.90			16	16969	91.65	88	1.00			18	14766	79.75	88	1.15			GK169R109 GKA169R109	4P	21	13031	70.38	87	1.30			24	11298	61.02	86	1.50			27	10052	54.29	85	1.70			31	8663	46.79	83	1.95	GK159 GKF159 GKA159 GKAF159	4P	39	7040	38.02	81	2.40			47	5795	31.30	78	3.00			21	15963	70.38	81	1.05			23	11591	62.60	61	1.05	27	10011	54.07	61	1.25			31	8854	47.82	61	1.40			37	7441	40.19	61	1.65			GK159 GKF159 GKA159 GKAF159	4P	40	6723	36.31					60	1.85	47	5818	31.42			59	2.10	53	5134	27.73	58	2.40			61	4434	23.95	57	2.80	GK129 GKF129 GKA129 GKAF129	4P	69	3922	21.18	56	3.00			24	12605	68.08	135	2.40			24	11246	60.74	135	2.70			15	18556	100.22	88	0.90	16	16969	91.65	88	1.00			18	14766	79.75	88	1.15			21	13031	70.38	87	1.30			24	11298	61.02	86	1.50			27	10052	54.29	85	1.70	31	8663	46.79	83	1.95	39	7040	38.02	81	2.40	47	5795	31.30	78	3.00	21	13137	70.95	61	0.95	23	11591	62.60	61	1.05	27	10011	54.07	61	1.25	31	8854	47.82	61	1.40	37	7441	40.19	61	1.65	40	6723	36.31	60	1.85	47	5818	31.42	59	2.10	53	5134	27.73	58	2.40	61	4434	23.95	57	2.80	69	3922	21.18	56	3.00	35	7838	42.33	34	0.90	40	6851	37.00	36	1.00	47	5792	31.28	34	1.10	51	5368	28.99	36	1.25	56	4871	26.31	36	1.40	65	4186	22.61	36	1.65	74	3655	19.74	36	1.85	88	3099	16.74	35	2.20	8.2	33302	179.86	171	1.45	8.9	30589	165.21	171	1.55	10	26771	144.59	171	1.75	11	24013	129.69	171	2.00	13	20848	112.60	171	2.22	14	18915	102.16	171	2.30	17	16293	88.00	171	2.50	13	20335	109.83	135	1.50	17	16268	87.86	135	1.85	19	14468	78.14	135	2.10	22	12605	68.08	135	2.40	24	11246	60.74	135	2.70	15	18556	100.22	88	0.90	16	16969	91.65	88	1.00	18	14766	79.75	88	1.15	21	13031	70.38	87	1.30	24	11298	61.02	86	1.50	27	10052	54.29	85	1.70	31	8663	46.79	83	1.95	39	7040	38.02	81	2.40	47	5795	31.30	78	3.00	21	13137	70.95	61	0.95	23	11591	62.60	61	1.05	27	10011	54.07	61	1.25	31	8854	47.82	61	1.40	37	7441	40.19	61	1.65	40	6723	36.31	60	1.85	47	5818	31.42	59	2.10	53	5134	27.73	58	2.40	61	4434	23.95	57	2.80	69	3922	21.18	56	3.00	35	7838	42.33	34	0.90	40	6851	37.00	36	1.00	47	5792	31.28	34	1.10	51	5368	28.99	36	1.25	56	4871	26.31	36	1.40	65	4186	22.61	36	1.65	74	3655	19.74	36	1.85	88	3099	16.74	35	2.20																																																																																																																																																
13	20335	109.83	135	1.50	GK169R109 GKA169R109	4P	123	2220	11.99			20	1.65	17	16268	87.86			135	1.85	19	14468	78.14			135	2.10	22	12605	68.08			135	2.40	24	11246	60.74	135	2.70	15	18556	100.22			88	0.90	16	16969	91.65			88	1.00	18	14766	79.75			88	1.15	GK169R109 GKA169R109	4P	21	13031	70.38			87	1.30	24	11298	61.02			86	1.50	27	10052	54.29			85	1.70	31	8663	46.79	83	1.95	GK159 GKF159 GKA159 GKAF159	4P	39	7040	38.02			81	2.40	47	5795	31.30			78	3.00	21	15963	70.38			81	1.05	23	11591	62.60			61	1.05	27	10011	54.07	61	1.25	31	8854	47.82			61	1.40	37	7441	40.19			61	1.65	GK159 GKF159 GKA159 GKAF159	4P	40					6723	36.31	60	1.85	47			5818	31.42	59	2.10	53			5134	27.73	58	2.40	61	4434	23.95	57	2.80	GK129 GKF129 GKA129 GKAF129	4P	69	3922	21.18			56	3.00	24	12605	68.08			135	2.40	24	11246	60.74			135	2.70	15	18556	100.22			88	0.90	16	16969	91.65	88	1.00	18	14766	79.75			88	1.15	21	13031	70.38			87	1.30	24	11298	61.02			86	1.50	27	10052	54.29	85	1.70	31	8663	46.79	83	1.95	39	7040	38.02	81	2.40	47	5795	31.30	78	3.00	21	13137	70.95	61	0.95	23	11591	62.60	61	1.05	27	10011	54.07	61	1.25	31	8854	47.82	61	1.40	37	7441	40.19	61	1.65	40	6723	36.31	60	1.85	47	5818	31.42	59	2.10	53	5134	27.73	58	2.40	61	4434	23.95	57	2.80	69	3922	21.18	56	3.00	35	7838	42.33	34	0.90	40	6851	37.00	36	1.00	47	5792	31.28	34	1.10	51	5368	28.99	36	1.25	56	4871	26.31	36	1.40	65	4186	22.61	36	1.65	74	3655	19.74	36	1.85	88	3099	16.74	35	2.20	8.2	33302	179.86	171	1.45	8.9	30589	165.21	171	1.55	10	26771	144.59	171	1.75	11	24013	129.69	171	2.00	13	20848	112.60	171	2.22	14	18915	102.16	171	2.30	17	16293	88.00	171	2.50	13	20335	109.83	135	1.50	17	16268	87.86	135	1.85	19	14468	78.14	135	2.10	22	12605	68.08	135	2.40	24	11246	60.74	135	2.70	15	18556	100.22	88	0.90	16	16969	91.65	88	1.00	18	14766	79.75	88	1.15	21	13031	70.38	87	1.30	24	11298	61.02	86	1.50	27	10052	54.29	85	1.70	31	8663	46.79	83	1.95	39	7040	38.02	81	2.40	47	5795	31.30	78	3.00	21	13137	70.95	61	0.95	23	11591	62.60	61	1.05	27	10011	54.07	61	1.25	31	8854	47.82	61	1.40	37	7441	40.19	61	1.65	40	6723	36.31	60	1.85	47	5818	31.42	59	2.10	53	5134	27.73	58	2.40	61	4434	23.95	57	2.80	69	3922	21.18	56	3.00	35	7838	42.33	34	0.90	40	6851	37.00	36	1.00	47	5792	31.28	34	1.10	51	5368	28.99	36	1.25	56	4871	26.31	36	1.40	65	4186	22.61	36	1.65	74	3655	19.74	36	1.85	88	3099	16.74	35	2.20																																																																																																																																																					
17	16268	87.86	135	1.85			19	14468	78.14			135	2.10	22	12605	68.08			135	2.40	24	11246	60.74			135	2.70	15	18556	100.22			88	0.90	16	16969	91.65	88	1.00	18	14766	79.75			88	1.15	GK169R109 GKA169R109	4P	21			13031	70.38	87	1.30	24	11298	61.02	86	1.50			27	10052	54.29			85	1.70	31	8663	46.79			83	1.95	GK159 GKF159 GKA159 GKAF159	4P	39	7040	38.02	81	2.40	47	5795	31.30	78	3.00			21	15963	70.38			81	1.05	23	11591	62.60			61	1.05	27	10011	54.07			61	1.25	31	8854	47.82			61	1.40	37	7441	40.19	61	1.65	GK159 GKF159 GKA159 GKAF159	4P	40			6723	36.31	60	1.85	47			5818	31.42			59	2.10	53			5134	27.73	58	2.40	61			4434	23.95	57	2.80	GK129 GKF129 GKA129 GKAF129	4P	69	3922	21.18	56	3.00	24	12605	68.08	135	2.40			24	11246	60.74			135	2.70	15	18556	100.22			88	0.90	16	16969	91.65			88	1.00	18	14766	79.75			88	1.15	21	13031	70.38	87	1.30	24	11298	61.02			86	1.50	27	10052	54.29			85	1.70	31	8663	46.79	83	1.95	39	7040	38.02	81	2.40	47	5795	31.30	78	3.00	21	13137	70.95	61	0.95	23	11591	62.60	61	1.05	27	10011	54.07	61	1.25	31	8854	47.82	61	1.40	37	7441	40.19	61	1.65	40	6723	36.31	60	1.85	47	5818	31.42	59	2.10	53	5134	27.73	58	2.40	61	4434	23.95	57	2.80	69	3922	21.18	56	3.00	35	7838	42.33	34	0.90	40	6851	37.00	36	1.00	47	5792	31.28	34	1.10	51	5368	28.99	36	1.25	56	4871	26.31	36	1.40	65	4186	22.61	36	1.65	74	3655	19.74	36	1.85	88	3099	16.74	35	2.20	8.2	33302	179.86	171	1.45	8.9	30589	165.21	171	1.55	10	26771	144.59	171	1.75	11	24013	129.69	171	2.00	13	20848	112.60	171	2.22	14	18915	102.16	171	2.30	17	16293	88.00	171	2.50	13	20335	109.83	135	1.50	17	16268	87.86	135	1.85	19	14468	78.14	135	2.10	22	12605	68.08	135	2.40	24	11246	60.74	135	2.70	15	18556	100.22	88	0.90	16	16969	91.65	88	1.00	18	14766	79.75	88	1.15	21	13031	70.38	87	1.30	24	11298	61.02	86	1.50	27	10052	54.29	85	1.70	31	8663	46.79	83	1.95	39	7040	38.02	81	2.40	47	5795	31.30	78	3.00	21	13137	70.95	61	0.95	23	11591	62.60	61	1.05	27	10011	54.07	61	1.25	31	8854	47.82	61	1.40	37	7441	40.19	61	1.65	40	6723	36.31	60	1.85	47	5818	31.42	59	2.10	53	5134	27.73	58	2.40	61	4434	23.95	57	2.80	69	3922	21.18	56	3.00	35	7838	42.33	34	0.90	40	6851	37.00	36	1.00	47	5792	31.28	34	1.10	51	5368	28.99	36	1.25	56	4871	26.31	36	1.40	65	4186	22.61	36	1.65	74	3655	19.74	36	1.85	88	3099	16.74	35	2.20																																																																																																																																																																	
19	14468	78.14	135	2.10			22	12605	68.08			135	2.40	24	11246	60.74			135	2.70	15	18556	100.22			88	0.90	16	16969	91.65			88	1.00	18	14766	79.75	88	1.15	GK169R109 GKA169R109	4P	21			13031	70.38			87	1.30	24	11298	61.02	86	1.50	27	10052	54.29	85	1.70			31	8663	46.79			83	1.95	GK159 GKF159 GKA159 GKAF159	4P	39	7040	38.02	81	2.40			47	5795	31.30	78	3.00	21	15963	70.38	81	1.05			23	11591	62.60			61	1.05	27	10011	54.07			61	1.25	31	8854	47.82			61	1.40	37	7441	40.19			61	1.65	GK159 GKF159 GKA159 GKAF159	4P	40	6723	36.31			60			1.85	47	5818	31.42	59	2.10	53	5134	27.73			58	2.40	61			4434	23.95	57	2.80	GK129 GKF129 GKA129 GKAF129	4P	69	3922	21.18	56	3.00			24	12605	68.08	135	2.40	24	11246	60.74	135	2.70			15	18556	100.22			88	0.90	16	16969	91.65			88	1.00	18	14766	79.75			88	1.15	21	13031	70.38			87	1.30	24	11298	61.02	86	1.50	27	10052	54.29			85	1.70	31	8663	46.79	83	1.95	39	7040	38.02	81	2.40	47	5795	31.30	78	3.00	21	13137	70.95	61	0.95	23	11591	62.60	61	1.05	27	10011	54.07	61	1.25	31	8854	47.82	61	1.40	37	7441	40.19	61	1.65	40	6723	36.31	60	1.85	47	5818	31.42	59	2.10	53	5134	27.73	58	2.40	61	4434	23.95	57	2.80	69	3922	21.18	56	3.00	35	7838	42.33	34	0.90	40	6851	37.00	36	1.00	47	5792	31.28	34	1.10	51	5368	28.99	36	1.25	56	4871	26.31	36	1.40	65	4186	22.61	36	1.65	74	3655	19.74	36	1.85	88	3099	16.74	35	2.20	8.2	33302	179.86	171	1.45	8.9	30589	165.21	171	1.55	10	26771	144.59	171	1.75	11	24013	129.69	171	2.00	13	20848	112.60	171	2.22	14	18915	102.16	171	2.30	17	16293	88.00	171	2.50	13	20335	109.83	135	1.50	17	16268	87.86	135	1.85	19	14468	78.14	135	2.10	22	12605	68.08	135	2.40	24	11246	60.74	135	2.70	15	18556	100.22	88	0.90	16	16969	91.65	88	1.00	18	14766	79.75	88	1.15	21	13031	70.38	87	1.30	24	11298	61.02	86	1.50	27	10052	54.29	85	1.70	31	8663	46.79	83	1.95	39	7040	38.02	81	2.40	47	5795	31.30	78	3.00	21	13137	70.95	61	0.95	23	11591	62.60	61	1.05	27	10011	54.07	61	1.25	31	8854	47.82	61	1.40	37	7441	40.19	61	1.65	40	6723	36.31	60	1.85	47	5818	31.42	59	2.10	53	5134	27.73	58	2.40	61	4434	23.95	57	2.80	69	3922	21.18	56	3.00	35	7838	42.33	34	0.90	40	6851	37.00	36	1.00	47	5792	31.28	34	1.10	51	5368	28.99	36	1.25	56	4871	26.31	36	1.40	65	4186	22.61	36	1.65	74	3655	19.74	36	1.85	88	3099	16.74	35	2.20																																																																																																																																																																								
22	12605	68.08	135	2.40			24	11246	60.74			135	2.70	15	18556	100.22			88	0.90	16	16969	91.65			88	1.00	18	14766	79.75			88	1.15	GK169R109 GKA169R109	4P	21	13031	70.38			87	1.30	24	11298	61.02			86	1.50	27	10052	54.29	85	1.70	31	8663	46.79	83	1.95			GK159 GKF159 GKA159 GKAF159	4P	39	7040	38.02	81	2.40			47	5795	31.30	78	3.00			21	15963	70.38	81	1.05	23	11591	62.60	61	1.05			27	10011	54.07			61	1.25	31	8854	47.82			61	1.40	37	7441	40.19			61	1.65	GK159 GKF159 GKA159 GKAF159	4P	40			6723	36.31			60	1.85	47			5818	31.42	59	2.10	53	5134	27.73	58	2.40	61	4434	23.95			57	2.80	GK129 GKF129 GKA129 GKAF129	4P	69	3922	21.18	56	3.00			24	12605	68.08	135	2.40			24	11246	60.74	135	2.70	15	18556	100.22	88	0.90			16	16969	91.65			88	1.00	18	14766	79.75			88	1.15	21	13031	70.38			87	1.30	24	11298	61.02			86	1.50	27	10052	54.29	85	1.70	31	8663	46.79	83	1.95	39	7040	38.02	81	2.40	47	5795	31.30	78	3.00	21	13137	70.95	61	0.95	23	11591	62.60	61	1.05	27	10011	54.07	61	1.25	31	8854	47.82	61	1.40	37	7441	40.19	61	1.65	40	6723	36.31	60	1.85	47	5818	31.42	59	2.10	53	5134	27.73	58	2.40	61	4434	23.95	57	2.80	69	3922	21.18	56	3.00	35	7838	42.33	34	0.90	40	6851	37.00	36	1.00	47	5792	31.28	34	1.10	51	5368	28.99	36	1.25	56	4871	26.31	36	1.40	65	4186	22.61	36	1.65	74	3655	19.74	36	1.85	88	3099	16.74	35	2.20	8.2	33302	179.86	171	1.45	8.9	30589	165.21	171	1.55	10	26771	144.59	171	1.75	11	24013	129.69	171	2.00	13	20848	112.60	171	2.22	14	18915	102.16	171	2.30	17	16293	88.00	171	2.50	13	20335	109.83	135	1.50	17	16268	87.86	135	1.85	19	14468	78.14	135	2.10	22	12605	68.08	135	2.40	24	11246	60.74	135	2.70	15	18556	100.22	88	0.90	16	16969	91.65	88	1.00	18	14766	79.75	88	1.15	21	13031	70.38	87	1.30	24	11298	61.02	86	1.50	27	10052	54.29	85	1.70	31	8663	46.79	83	1.95	39	7040	38.02	81	2.40	47	5795	31.30	78	3.00	21	13137	70.95	61	0.95	23	11591	62.60	61	1.05	27	10011	54.07	61	1.25	31	8854	47.82	61	1.40	37	7441	40.19	61	1.65	40	6723	36.31	60	1.85	47	5818	31.42	59	2.10	53	5134	27.73	58	2.40	61	4434	23.95	57	2.80	69	3922	21.18	56	3.00	35	7838	42.33	34	0.90	40	6851	37.00	36	1.00	47	5792	31.28	34	1.10	51	5368	28.99	36	1.25	56	4871	26.31	36	1.40	65	4186	22.61	36	1.65	74	3655	19.74	36	1.85	88	3099	16.74	35	2.20																																																																																																																																																																															
24	11246	60.74	135	2.70			15	18556	100.22			88	0.90	16	16969	91.65			88	1.00	18	14766	79.75			88	1.15	GK169R109 GKA169R109	4P	21	13031	70.38	87	1.30			24	11298	61.02			86	1.50	27	10052	54.29			85	1.70	31	8663	46.79	83	1.95	GK159 GKF159 GKA159 GKAF159	4P	39	7040	38.02	81	2.40			47	5795	31.30	78	3.00			21	15963	70.38	81	1.05			23	11591	62.60	61	1.05	27	10011	54.07	61	1.25			31	8854	47.82			61	1.40	37	7441	40.19			61	1.65	GK159 GKF159 GKA159 GKAF159	4P	40			6723	36.31			60	1.85	47	5818	31.42			59	2.10	53			5134	27.73	58	2.40	61	4434	23.95	57	2.80	GK129 GKF129 GKA129 GKAF129	4P	69	3922	21.18	56	3.00			24	12605	68.08	135	2.40			24	11246	60.74	135	2.70			15	18556	100.22	88	0.90	16	16969	91.65	88	1.00			18	14766	79.75			88	1.15	21	13031	70.38			87	1.30	24	11298	61.02			86	1.50	27	10052	54.29	85	1.70	31	8663	46.79	83	1.95	39	7040	38.02	81	2.40	47	5795	31.30	78	3.00	21	13137	70.95	61	0.95	23	11591	62.60	61	1.05	27	10011	54.07	61	1.25	31	8854	47.82	61	1.40	37	7441	40.19	61	1.65	40	6723	36.31	60	1.85	47	5818	31.42	59	2.10	53	5134	27.73	58	2.40	61	4434	23.95	57	2.80	69	3922	21.18	56	3.00	35	7838	42.33	34	0.90	40	6851	37.00	36	1.00	47	5792	31.28	34	1.10	51	5368	28.99	36	1.25	56	4871	26.31	36	1.40	65	4186	22.61	36	1.65	74	3655	19.74	36	1.85	88	3099	16.74	35	2.20	8.2	33302	179.86	171	1.45	8.9	30589	165.21	171	1.55	10	26771	144.59	171	1.75	11	24013	129.69	171	2.00	13	20848	112.60	171	2.22	14	18915	102.16	171	2.30	17	16293	88.00	171	2.50	13	20335	109.83	135	1.50	17	16268	87.86	135	1.85	19	14468	78.14	135	2.10	22	12605	68.08	135	2.40	24	11246	60.74	135	2.70	15	18556	100.22	88	0.90	16	16969	91.65	88	1.00	18	14766	79.75	88	1.15	21	13031	70.38	87	1.30	24	11298	61.02	86	1.50	27	10052	54.29	85	1.70	31	8663	46.79	83	1.95	39	7040	38.02	81	2.40	47	5795	31.30	78	3.00	21	13137	70.95	61	0.95	23	11591	62.60	61	1.05	27	10011	54.07	61	1.25	31	8854	47.82	61	1.40	37	7441	40.19	61	1.65	40	6723	36.31	60	1.85	47	5818	31.42	59	2.10	53	5134	27.73	58	2.40	61	4434	23.95	57	2.80	69	3922	21.18	56	3.00	35	7838	42.33	34	0.90	40	6851	37.00	36	1.00	47	5792	31.28	34	1.10	51	5368	28.99	36	1.25	56	4871	26.31	36	1.40	65	4186	22.61	36	1.65	74	3655	19.74	36	1.85	88	3099	16.74	35	2.20																																																																																																																																																																																						
15	18556	100.22	88	0.90			16	16969	91.65			88	1.00	18	14766	79.75			88	1.15	GK169R109 GKA169R109	4P	21	13031	70.38	87	1.30			24	11298	61.02	86	1.50			27	10052	54.29			85	1.70	31	8663	46.79	83	1.95	GK159 GKF159 GKA159 GKAF159	4P	39	7040	38.02	81	2.40			47	5795	31.30	78	3.00			21	15963	70.38	81	1.05			23	11591	62.60	61	1.05			27	10011	54.07	61	1.25	31	8854	47.82	61	1.40			37	7441	40.19			61	1.65	GK159 GKF159 GKA159 GKAF159	4P	40			6723	36.31			60	1.85	47	5818	31.42			59	2.10	53	5134	27.73			58	2.40	61	4434	23.95	57	2.80	GK129 GKF129 GKA129 GKAF129	4P	69	3922	21.18	56	3.00			24	12605	68.08	135	2.40			24	11246	60.74	135	2.70			15	18556	100.22	88	0.90			16	16969	91.65	88	1.00	18	14766	79.75	88	1.15			21	13031	70.38			87	1.30	24	11298	61.02			86	1.50	27	10052	54.29	85	1.70	31	8663	46.79	83	1.95	39	7040	38.02	81	2.40	47	5795	31.30	78	3.00	21	13137	70.95	61	0.95	23	11591	62.60	61	1.05	27	10011	54.07	61	1.25	31	8854	47.82	61	1.40	37	7441	40.19	61	1.65	40	6723	36.31	60	1.85	47	5818	31.42	59	2.10	53	5134	27.73	58	2.40	61	4434	23.95	57	2.80	69	3922	21.18	56	3.00	35	7838	42.33	34	0.90	40	6851	37.00	36	1.00	47	5792	31.28	34	1.10	51	5368	28.99	36	1.25	56	4871	26.31	36	1.40	65	4186	22.61	36	1.65	74	3655	19.74	36	1.85	88	3099	16.74	35	2.20	8.2	33302	179.86	171	1.45	8.9	30589	165.21	171	1.55	10	26771	144.59	171	1.75	11	24013	129.69	171	2.00	13	20848	112.60	171	2.22	14	18915	102.16	171	2.30	17	16293	88.00	171	2.50	13	20335	109.83	135	1.50	17	16268	87.86	135	1.85	19	14468	78.14	135	2.10	22	12605	68.08	135	2.40	24	11246	60.74	135	2.70	15	18556	100.22	88	0.90	16	16969	91.65	88	1.00	18	14766	79.75	88	1.15	21	13031	70.38	87	1.30	24	11298	61.02	86	1.50	27	10052	54.29	85	1.70	31	8663	46.79	83	1.95	39	7040	38.02	81	2.40	47	5795	31.30	78	3.00	21	13137	70.95	61	0.95	23	11591	62.60	61	1.05	27	10011	54.07	61	1.25	31	8854	47.82	61	1.40	37	7441	40.19	61	1.65	40	6723	36.31	60	1.85	47	5818	31.42	59	2.10	53	5134	27.73	58	2.40	61	4434	23.95	57	2.80	69	3922	21.18	56	3.00	35	7838	42.33	34	0.90	40	6851	37.00	36	1.00	47	5792	31.28	34	1.10	51	5368	28.99	36	1.25	56	4871	26.31	36	1.40	65	4186	22.61	36	1.65	74	3655	19.74	36	1.85	88	3099	16.74	35	2.20																																																																																																																																																																																													
16	16969	91.65	88	1.00			18	14766	79.75			88	1.15	GK169R109 GKA169R109	4P	21	13031	70.38	87	1.30			24	11298	61.02	86	1.50			27	10052	54.29	85	1.70			31	8663	46.79	83	1.95	GK159 GKF159 GKA159 GKAF159	4P	39	7040	38.02	81	2.40			47	5795	31.30	78	3.00			21	15963	70.38	81	1.05			23	11591	62.60	61	1.05			27	10011	54.07	61	1.25			31	8854	47.82	61	1.40	37	7441	40.19	61	1.65			GK159 GKF159 GKA159 GKAF159	4P	40			6723	36.31			60	1.85	47	5818	31.42			59	2.10	53	5134	27.73			58	2.40	61	4434	23.95	57	2.80	GK129 GKF129 GKA129 GKAF129	4P	69	3922	21.18	56	3.00			24	12605	68.08	135	2.40			24	11246	60.74	135	2.70			15	18556	100.22	88	0.90			16	16969	91.65	88	1.00			18	14766	79.75	88	1.15	21	13031	70.38	87	1.30			24	11298	61.02			86	1.50	27	10052	54.29	85	1.70	31	8663	46.79	83	1.95	39	7040	38.02	81	2.40	47	5795	31.30	78	3.00	21	13137	70.95	61	0.95	23	11591	62.60	61	1.05	27	10011	54.07	61	1.25	31	8854	47.82	61	1.40	37	7441	40.19	61	1.65	40	6723	36.31	60	1.85	47	5818	31.42	59	2.10	53	5134	27.73	58	2.40	61	4434	23.95	57	2.80	69	3922	21.18	56	3.00	35	7838	42.33	34	0.90	40	6851	37.00	36	1.00	47	5792	31.28	34	1.10	51	5368	28.99	36	1.25	56	4871	26.31	36	1.40	65	4186	22.61	36	1.65	74	3655	19.74	36	1.85	88	3099	16.74	35	2.20	8.2	33302	179.86	171	1.45	8.9	30589	165.21	171	1.55	10	26771	144.59	171	1.75	11	24013	129.69	171	2.00	13	20848	112.60	171	2.22	14	18915	102.16	171	2.30	17	16293	88.00	171	2.50	13	20335	109.83	135	1.50	17	16268	87.86	135	1.85	19	14468	78.14	135	2.10	22	12605	68.08	135	2.40	24	11246	60.74	135	2.70	15	18556	100.22	88	0.90	16	16969	91.65	88	1.00	18	14766	79.75	88	1.15	21	13031	70.38	87	1.30	24	11298	61.02	86	1.50	27	10052	54.29	85	1.70	31	8663	46.79	83	1.95	39	7040	38.02	81	2.40	47	5795	31.30	78	3.00	21	13137	70.95	61	0.95	23	11591	62.60	61	1.05	27	10011	54.07	61	1.25	31	8854	47.82	61	1.40	37	7441	40.19	61	1.65	40	6723	36.31	60	1.85	47	5818	31.42	59	2.10	53	5134	27.73	58	2.40	61	4434	23.95	57	2.80	69	3922	21.18	56	3.00	35	7838	42.33	34	0.90	40	6851	37.00	36	1.00	47	5792	31.28	34	1.10	51	5368	28.99	36	1.25	56	4871	26.31	36	1.40	65	4186	22.61	36	1.65	74	3655	19.74	36	1.85	88	3099	16.74	35	2.20																																																																																																																																																																																																				
18	14766	79.75	88	1.15			GK169R109 GKA169R109	4P	21	13031	70.38	87	1.30			24	11298	61.02	86	1.50			27	10052	54.29	85	1.70			31	8663	46.79	83	1.95	GK159 GKF159 GKA159 GKAF159	4P	39	7040	38.02	81	2.40			47	5795	31.30	78	3.00			21	15963	70.38	81	1.05			23	11591	62.60	61	1.05			27	10011	54.07	61	1.25			31	8854	47.82	61	1.40			37	7441	40.19	61	1.65	GK159 GKF159 GKA159 GKAF159	4P	40	6723	36.31					60	1.85	47	5818	31.42			59	2.10	53	5134	27.73			58	2.40	61	4434	23.95	57	2.80	GK129 GKF129 GKA129 GKAF129	4P	69	3922	21.18	56	3.00			24	12605	68.08	135	2.40			24	11246	60.74	135	2.70			15	18556	100.22	88	0.90			16	16969	91.65	88	1.00			18	14766	79.75	88	1.15			21	13031	70.38	87	1.30	24	11298	61.02	86	1.50			27	10052	54.29	85	1.70	31	8663	46.79	83	1.95	39	7040	38.02	81	2.40	47	5795	31.30	78	3.00	21	13137	70.95	61	0.95	23	11591	62.60	61	1.05	27	10011	54.07	61	1.25	31	8854	47.82	61	1.40	37	7441	40.19	61	1.65	40	6723	36.31	60	1.85	47	5818	31.42	59	2.10	53	5134	27.73	58	2.40	61	4434	23.95	57	2.80	69	3922	21.18	56	3.00	35	7838	42.33	34	0.90	40	6851	37.00	36	1.00	47	5792	31.28	34	1.10	51	5368	28.99	36	1.25	56	4871	26.31	36	1.40	65	4186	22.61	36	1.65	74	3655	19.74	36	1.85	88	3099	16.74	35	2.20	8.2	33302	179.86	171	1.45	8.9	30589	165.21	171	1.55	10	26771	144.59	171	1.75	11	24013	129.69	171	2.00	13	20848	112.60	171	2.22	14	18915	102.16	171	2.30	17	16293	88.00	171	2.50	13	20335	109.83	135	1.50	17	16268	87.86	135	1.85	19	14468	78.14	135	2.10	22	12605	68.08	135	2.40	24	11246	60.74	135	2.70	15	18556	100.22	88	0.90	16	16969	91.65	88	1.00	18	14766	79.75	88	1.15	21	13031	70.38	87	1.30	24	11298	61.02	86	1.50	27	10052	54.29	85	1.70	31	8663	46.79	83	1.95	39	7040	38.02	81	2.40	47	5795	31.30	78	3.00	21	13137	70.95	61	0.95	23	11591	62.60	61	1.05	27	10011	54.07	61	1.25	31	8854	47.82	61	1.40	37	7441	40.19	61	1.65	40	6723	36.31	60	1.85	47	5818	31.42	59	2.10	53	5134	27.73	58	2.40	61	4434	23.95	57	2.80	69	3922	21.18	56	3.00	35	7838	42.33	34	0.90	40	6851	37.00	36	1.00	47	5792	31.28	34	1.10	51	5368	28.99	36	1.25	56	4871	26.31	36	1.40	65	4186	22.61	36	1.65	74	3655	19.74	36	1.85	88	3099	16.74	35	2.20																																																																																																																																																																																																											
21	13031	70.38	87	1.30	24	11298			61.02	86	1.50	27	10052			54.29	85	1.70	31	8663			46.79	83	1.95	GK159 GKF159 GKA159 GKAF159	4P	39	7040	38.02	81	2.40	47	5795			31.30	78	3.00	21	15963			70.38	81	1.05	23	11591			62.60	61	1.05	27	10011			54.07	61	1.25	31	8854			47.82	61	1.40	37	7441			40.19	61	1.65	GK159 GKF159 GKA159 GKAF159	4P			40	6723	36.31	60	1.85			47	5818	31.42	59	2.10			53	5134	27.73	58	2.40			61	4434	23.95	57	2.80	GK129 GKF129 GKA129 GKAF129	4P	69	3922	21.18	56	3.00	24	12605			68.08	135	2.40	24	11246			60.74	135	2.70	15	18556			100.22	88	0.90	16	16969			91.65	88	1.00	18	14766			79.75	88	1.15	21	13031			70.38	87	1.30	24	11298			61.02	86	1.50	27	10052	54.29	85	1.70	31	8663	46.79	83	1.95	39	7040	38.02	81	2.40	47	5795	31.30	78	3.00	21	13137	70.95	61	0.95	23	11591	62.60	61	1.05	27	10011	54.07	61	1.25	31	8854	47.82	61	1.40	37	7441	40.19	61	1.65	40	6723	36.31	60	1.85	47	5818	31.42	59	2.10	53	5134	27.73	58	2.40	61	4434	23.95	57	2.80	69	3922	21.18	56	3.00	35	7838	42.33	34	0.90	40	6851	37.00	36	1.00	47	5792	31.28	34	1.10	51	5368	28.99	36	1.25	56	4871	26.31	36	1.40	65	4186	22.61	36	1.65	74	3655	19.74	36	1.85	88	3099	16.74	35	2.20	8.2	33302	179.86	171	1.45	8.9	30589	165.21	171	1.55	10	26771	144.59	171	1.75	11	24013	129.69	171	2.00	13	20848	112.60	171	2.22	14	18915	102.16	171	2.30	17	16293	88.00	171	2.50	13	20335	109.83	135	1.50	17	16268	87.86	135	1.85	19	14468	78.14	135	2.10	22	12605	68.08	135	2.40	24	11246	60.74	135	2.70	15	18556	100.22	88	0.90	16	16969	91.65	88	1.00	18	14766	79.75	88	1.15	21	13031	70.38	87	1.30	24	11298	61.02	86	1.50	27	10052	54.29	85	1.70	31	8663	46.79	83	1.95	39	7040	38.02	81	2.40	47	5795	31.30	78	3.00	21	13137	70.95	61	0.95	23	11591	62.60	61	1.05	27	10011	54.07	61	1.25	31	8854	47.82	61	1.40	37	7441	40.19	61	1.65	40	6723	36.31	60	1.85	47	5818	31.42	59	2.10	53	5134	27.73	58	2.40	61	4434	23.95	57	2.80	69	3922	21.18	56	3.00	35	7838	42.33	34	0.90	40	6851	37.00	36	1.00	47	5792	31.28	34	1.10	51	5368	28.99	36	1.25	56	4871	26.31	36	1.40	65	4186	22.61	36	1.65	74	3655	19.74	36	1.85	88	3099	16.74	35	2.20																																																																																																																																																																																																																				
24	11298	61.02	86	1.50	27	10052			54.29	85	1.70	31	8663			46.79	83	1.95	GK159 GKF159 GKA159 GKAF159	4P	39	7040	38.02	81	2.40			47	5795	31.30	78	3.00	21	15963			70.38	81	1.05	23	11591			62.60	61	1.05	27	10011			54.07	61	1.25	31	8854			47.82	61	1.40	37	7441			40.19	61	1.65	GK159 GKF159 GKA159 GKAF159	4P			40	6723	36.31			60	1.85	47	5818	31.42	59	2.10			53	5134	27.73	58	2.40			61	4434	23.95	57	2.80	GK129 GKF129 GKA129 GKAF129	4P	69	3922	21.18	56	3.00			24	12605	68.08	135	2.40	24	11246			60.74	135	2.70	15	18556			100.22	88	0.90	16	16969			91.65	88	1.00	18	14766			79.75	88	1.15	21	13031			70.38	87	1.30	24	11298			61.02	86	1.50	27	10052	54.29	85	1.70	31	8663	46.79	83	1.95	39	7040	38.02	81	2.40	47	5795	31.30	78	3.00	21	13137	70.95	61	0.95	23	11591	62.60	61	1.05	27	10011	54.07	61	1.25	31	8854	47.82	61	1.40	37	7441	40.19	61	1.65	40	6723	36.31	60	1.85	47	5818	31.42	59	2.10	53	5134	27.73	58	2.40	61	4434	23.95	57	2.80	69	3922	21.18	56	3.00	35	7838	42.33	34	0.90	40	6851	37.00	36	1.00	47	5792	31.28	34	1.10	51	5368	28.99	36	1.25	56	4871	26.31	36	1.40	65	4186	22.61	36	1.65	74	3655	19.74	36	1.85	88	3099	16.74	35	2.20	8.2	33302	179.86	171	1.45	8.9	30589	165.21	171	1.55	10	26771	144.59	171	1.75	11	24013	129.69	171	2.00	13	20848	112.60	171	2.22	14	18915	102.16	171	2.30	17	16293	88.00	171	2.50	13	20335	109.83	135	1.50	17	16268	87.86	135	1.85	19	14468	78.14	135	2.10	22	12605	68.08	135	2.40	24	11246	60.74	135	2.70	15	18556	100.22	88	0.90	16	16969	91.65	88	1.00	18	14766	79.75	88	1.15	21	13031	70.38	87	1.30	24	11298	61.02	86	1.50	27	10052	54.29	85	1.70	31	8663	46.79	83	1.95	39	7040	38.02	81	2.40	47	5795	31.30	78	3.00	21	13137	70.95	61	0.95	23	11591	62.60	61	1.05	27	10011	54.07	61	1.25	31	8854	47.82	61	1.40	37	7441	40.19	61	1.65	40	6723	36.31	60	1.85	47	5818	31.42	59	2.10	53	5134	27.73	58	2.40	61	4434	23.95	57	2.80	69	3922	21.18	56	3.00	35	7838	42.33	34	0.90	40	6851	37.00	36	1.00	47	5792	31.28	34	1.10	51	5368	28.99	36	1.25	56	4871	26.31	36	1.40	65	4186	22.61	36	1.65	74	3655	19.74	36	1.85	88	3099	16.74	35	2.20																																																																																																																																																																																																																											
27	10052	54.29	85	1.70	31	8663			46.79	83	1.95	GK159 GKF159 GKA159 GKAF159	4P	39	7040	38.02	81	2.40			47	5795	31.30	78	3.00			21	15963	70.38	81	1.05	23	11591			62.60	61	1.05	27	10011			54.07	61	1.25	31	8854			47.82	61	1.40	37	7441			40.19	61	1.65	GK159 GKF159 GKA159 GKAF159	4P			40	6723	36.31			60	1.85	47	5818	31.42			59	2.10	53	5134	27.73	58	2.40			61	4434	23.95	57	2.80	GK129 GKF129 GKA129 GKAF129	4P	69	3922	21.18	56	3.00			24	12605	68.08	135	2.40			24	11246	60.74	135	2.70	15	18556			100.22	88	0.90	16	16969			91.65	88	1.00	18	14766			79.75	88	1.15	21	13031			70.38	87	1.30	24	11298			61.02	86	1.50	27	10052	54.29	85	1.70	31	8663	46.79	83	1.95	39	7040	38.02	81	2.40	47	5795	31.30	78	3.00	21	13137	70.95	61	0.95	23	11591	62.60	61	1.05	27	10011	54.07	61	1.25	31	8854	47.82	61	1.40	37	7441	40.19	61	1.65	40	6723	36.31	60	1.85	47	5818	31.42	59	2.10	53	5134	27.73	58	2.40	61	4434	23.95	57	2.80	69	3922	21.18	56	3.00	35	7838	42.33	34	0.90	40	6851	37.00	36	1.00	47	5792	31.28	34	1.10	51	5368	28.99	36	1.25	56	4871	26.31	36	1.40	65	4186	22.61	36	1.65	74	3655	19.74	36	1.85	88	3099	16.74	35	2.20	8.2	33302	179.86	171	1.45	8.9	30589	165.21	171	1.55	10	26771	144.59	171	1.75	11	24013	129.69	171	2.00	13	20848	112.60	171	2.22	14	18915	102.16	171	2.30	17	16293	88.00	171	2.50	13	20335	109.83	135	1.50	17	16268	87.86	135	1.85	19	14468	78.14	135	2.10	22	12605	68.08	135	2.40	24	11246	60.74	135	2.70	15	18556	100.22	88	0.90	16	16969	91.65	88	1.00	18	14766	79.75	88	1.15	21	13031	70.38	87	1.30	24	11298	61.02	86	1.50	27	10052	54.29	85	1.70	31	8663	46.79	83	1.95	39	7040	38.02	81	2.40	47	5795	31.30	78	3.00	21	13137	70.95	61	0.95	23	11591	62.60	61	1.05	27	10011	54.07	61	1.25	31	8854	47.82	61	1.40	37	7441	40.19	61	1.65	40	6723	36.31	60	1.85	47	5818	31.42	59	2.10	53	5134	27.73	58	2.40	61	4434	23.95	57	2.80	69	3922	21.18	56	3.00	35	7838	42.33	34	0.90	40	6851	37.00	36	1.00	47	5792	31.28	34	1.10	51	5368	28.99	36	1.25	56	4871	26.31	36	1.40	65	4186	22.61	36	1.65	74	3655	19.74	36	1.85	88	3099	16.74	35	2.20																																																																																																																																																																																																																																		
31	8663	46.79	83	1.95	GK159 GKF159 GKA159 GKAF159	4P	39	7040	38.02	81	2.40			47	5795	31.30	78	3.00			21	15963	70.38	81	1.05			23	11591	62.60	61	1.05	27	10011			54.07	61	1.25	31	8854			47.82	61	1.40	37	7441			40.19	61	1.65	GK159 GKF159 GKA159 GKAF159	4P			40	6723	36.31			60	1.85	47	5818	31.42			59	2.10	53	5134	27.73			58	2.40	61	4434	23.95	57	2.80	GK129 GKF129 GKA129 GKAF129	4P	69	3922	21.18	56	3.00			24	12605	68.08	135	2.40			24	11246	60.74	135	2.70			15	18556	100.22	88	0.90	16	16969			91.65	88	1.00	18	14766			79.75	88	1.15	21	13031			70.38	87	1.30	24	11298			61.02	86	1.50	27	10052	54.29	85	1.70	31	8663	46.79	83	1.95	39	7040	38.02	81	2.40	47	5795	31.30	78	3.00	21	13137	70.95	61	0.95	23	11591	62.60	61	1.05	27	10011	54.07	61	1.25	31	8854	47.82	61	1.40	37	7441	40.19	61	1.65	40	6723	36.31	60	1.85	47	5818	31.42	59	2.10	53	5134	27.73	58	2.40	61	4434	23.95	57	2.80	69	3922	21.18	56	3.00	35	7838	42.33	34	0.90	40	6851	37.00	36	1.00	47	5792	31.28	34	1.10	51	5368	28.99	36	1.25	56	4871	26.31	36	1.40	65	4186	22.61	36	1.65	74	3655	19.74	36	1.85	88	3099	16.74	35	2.20	8.2	33302	179.86	171	1.45	8.9	30589	165.21	171	1.55	10	26771	144.59	171	1.75	11	24013	129.69	171	2.00	13	20848	112.60	171	2.22	14	18915	102.16	171	2.30	17	16293	88.00	171	2.50	13	20335	109.83	135	1.50	17	16268	87.86	135	1.85	19	14468	78.14	135	2.10	22	12605	68.08	135	2.40	24	11246	60.74	135	2.70	15	18556	100.22	88	0.90	16	16969	91.65	88	1.00	18	14766	79.75	88	1.15	21	13031	70.38	87	1.30	24	11298	61.02	86	1.50	27	10052	54.29	85	1.70	31	8663	46.79	83	1.95	39	7040	38.02	81	2.40	47	5795	31.30	78	3.00	21	13137	70.95	61	0.95	23	11591	62.60	61	1.05	27	10011	54.07	61	1.25	31	8854	47.82	61	1.40	37	7441	40.19	61	1.65	40	6723	36.31	60	1.85	47	5818	31.42	59	2.10	53	5134	27.73	58	2.40	61	4434	23.95	57	2.80	69	3922	21.18	56	3.00	35	7838	42.33	34	0.90	40	6851	37.00	36	1.00	47	5792	31.28	34	1.10	51	5368	28.99	36	1.25	56	4871	26.31	36	1.40	65	4186	22.61	36	1.65	74	3655	19.74	36	1.85	88	3099	16.74	35	2.20																																																																																																																																																																																																																																									
39	7040	38.02	81	2.40			47	5795	31.30	78	3.00			21	15963	70.38	81	1.05			23	11591	62.60	61	1.05			27	10011	54.07	61	1.25	31	8854			47.82	61	1.40	37	7441			40.19	61	1.65	GK159 GKF159 GKA159 GKAF159	4P			40	6723	36.31			60	1.85	47	5818	31.42			59	2.10	53	5134	27.73			58	2.40	61	4434	23.95	57	2.80	GK129 GKF129 GKA129 GKAF129	4P	69	3922	21.18	56	3.00			24	12605	68.08	135	2.40			24	11246	60.74	135	2.70			15	18556	100.22	88	0.90			16	16969	91.65	88	1.00	18	14766			79.75	88	1.15	21	13031			70.38	87	1.30	24	11298			61.02	86	1.50	27	10052	54.29	85	1.70	31	8663	46.79	83	1.95	39	7040	38.02	81	2.40	47	5795	31.30	78	3.00	21	13137	70.95	61	0.95	23	11591	62.60	61	1.05	27	10011	54.07	61	1.25	31	8854	47.82	61	1.40	37	7441	40.19	61	1.65	40	6723	36.31	60	1.85	47	5818	31.42	59	2.10	53	5134	27.73	58	2.40	61	4434	23.95	57	2.80	69	3922	21.18	56	3.00	35	7838	42.33	34	0.90	40	6851	37.00	36	1.00	47	5792	31.28	34	1.10	51	5368	28.99	36	1.25	56	4871	26.31	36	1.40	65	4186	22.61	36	1.65	74	3655	19.74	36	1.85	88	3099	16.74	35	2.20	8.2	33302	179.86	171	1.45	8.9	30589	165.21	171	1.55	10	26771	144.59	171	1.75	11	24013	129.69	171	2.00	13	20848	112.60	171	2.22	14	18915	102.16	171	2.30	17	16293	88.00	171	2.50	13	20335	109.83	135	1.50	17	16268	87.86	135	1.85	19	14468	78.14	135	2.10	22	12605	68.08	135	2.40	24	11246	60.74	135	2.70	15	18556	100.22	88	0.90	16	16969	91.65	88	1.00	18	14766	79.75	88	1.15	21	13031	70.38	87	1.30	24	11298	61.02	86	1.50	27	10052	54.29	85	1.70	31	8663	46.79	83	1.95	39	7040	38.02	81	2.40	47	5795	31.30	78	3.00	21	13137	70.95	61	0.95	23	11591	62.60	61	1.05	27	10011	54.07	61	1.25	31	8854	47.82	61	1.40	37	7441	40.19	61	1.65	40	6723	36.31	60	1.85	47	5818	31.42	59	2.10	53	5134	27.73	58	2.40	61	4434	23.95	57	2.80	69	3922	21.18	56	3.00	35	7838	42.33	34	0.90	40	6851	37.00	36	1.00	47	5792	31.28	34	1.10	51	5368	28.99	36	1.25	56	4871	26.31	36	1.40	65	4186	22.61	36	1.65	74	3655	19.74	36	1.85	88	3099	16.74	35	2.20																																																																																																																																																																																																																																																
47	5795	31.30	78	3.00			21	15963	70.38	81	1.05			23	11591	62.60	61	1.05			27	10011	54.07	61	1.25			31	8854	47.82	61	1.40	37	7441			40.19	61	1.65	GK159 GKF159 GKA159 GKAF159	4P			40	6723	36.31			60	1.85	47	5818	31.42			59	2.10	53	5134	27.73			58	2.40	61	4434	23.95	57	2.80	GK129 GKF129 GKA129 GKAF129	4P	69	3922	21.18	56	3.00			24	12605	68.08	135	2.40			24	11246	60.74	135	2.70			15	18556	100.22	88	0.90			16	16969	91.65	88	1.00			18	14766	79.75	88	1.15	21	13031			70.38	87	1.30	24	11298			61.02	86	1.50	27	10052	54.29	85	1.70	31	8663	46.79	83	1.95	39	7040	38.02	81	2.40	47	5795	31.30	78	3.00	21	13137	70.95	61	0.95	23	11591	62.60	61	1.05	27	10011	54.07	61	1.25	31	8854	47.82	61	1.40	37	7441	40.19	61	1.65	40	6723	36.31	60	1.85	47	5818	31.42	59	2.10	53	5134	27.73	58	2.40	61	4434	23.95	57	2.80	69	3922	21.18	56	3.00	35	7838	42.33	34	0.90	40	6851	37.00	36	1.00	47	5792	31.28	34	1.10	51	5368	28.99	36	1.25	56	4871	26.31	36	1.40	65	4186	22.61	36	1.65	74	3655	19.74	36	1.85	88	3099	16.74	35	2.20	8.2	33302	179.86	171	1.45	8.9	30589	165.21	171	1.55	10	26771	144.59	171	1.75	11	24013	129.69	171	2.00	13	20848	112.60	171	2.22	14	18915	102.16	171	2.30	17	16293	88.00	171	2.50	13	20335	109.83	135	1.50	17	16268	87.86	135	1.85	19	14468	78.14	135	2.10	22	12605	68.08	135	2.40	24	11246	60.74	135	2.70	15	18556	100.22	88	0.90	16	16969	91.65	88	1.00	18	14766	79.75	88	1.15	21	13031	70.38	87	1.30	24	11298	61.02	86	1.50	27	10052	54.29	85	1.70	31	8663	46.79	83	1.95	39	7040	38.02	81	2.40	47	5795	31.30	78	3.00	21	13137	70.95	61	0.95	23	11591	62.60	61	1.05	27	10011	54.07	61	1.25	31	8854	47.82	61	1.40	37	7441	40.19	61	1.65	40	6723	36.31	60	1.85	47	5818	31.42	59	2.10	53	5134	27.73	58	2.40	61	4434	23.95	57	2.80	69	3922	21.18	56	3.00	35	7838	42.33	34	0.90	40	6851	37.00	36	1.00	47	5792	31.28	34	1.10	51	5368	28.99	36	1.25	56	4871	26.31	36	1.40	65	4186	22.61	36	1.65	74	3655	19.74	36	1.85	88	3099	16.74	35	2.20																																																																																																																																																																																																																																																							
21	15963	70.38	81	1.05			23	11591	62.60	61	1.05			27	10011	54.07	61	1.25			31	8854	47.82	61	1.40			37	7441	40.19	61	1.65	GK159 GKF159 GKA159 GKAF159	4P			40	6723	36.31			60	1.85	47	5818	31.42			59	2.10	53	5134	27.73			58	2.40	61	4434	23.95	57	2.80	GK129 GKF129 GKA129 GKAF129	4P	69	3922	21.18	56	3.00			24	12605	68.08	135	2.40			24	11246	60.74	135	2.70			15	18556	100.22	88	0.90			16	16969	91.65	88	1.00			18	14766	79.75	88	1.15			21	13031	70.38	87	1.30	24	11298			61.02	86	1.50	27	10052	54.29	85	1.70	31	8663	46.79	83	1.95	39	7040	38.02	81	2.40	47	5795	31.30	78	3.00	21	13137	70.95	61	0.95	23	11591	62.60	61	1.05	27	10011	54.07	61	1.25	31	8854	47.82	61	1.40	37	7441	40.19	61	1.65	40	6723	36.31	60	1.85	47	5818	31.42	59	2.10	53	5134	27.73	58	2.40	61	4434	23.95	57	2.80	69	3922	21.18	56	3.00	35	7838	42.33	34	0.90	40	6851	37.00	36	1.00	47	5792	31.28	34	1.10	51	5368	28.99	36	1.25	56	4871	26.31	36	1.40	65	4186	22.61	36	1.65	74	3655	19.74	36	1.85	88	3099	16.74	35	2.20	8.2	33302	179.86	171	1.45	8.9	30589	165.21	171	1.55	10	26771	144.59	171	1.75	11	24013	129.69	171	2.00	13	20848	112.60	171	2.22	14	18915	102.16	171	2.30	17	16293	88.00	171	2.50	13	20335	109.83	135	1.50	17	16268	87.86	135	1.85	19	14468	78.14	135	2.10	22	12605	68.08	135	2.40	24	11246	60.74	135	2.70	15	18556	100.22	88	0.90	16	16969	91.65	88	1.00	18	14766	79.75	88	1.15	21	13031	70.38	87	1.30	24	11298	61.02	86	1.50	27	10052	54.29	85	1.70	31	8663	46.79	83	1.95	39	7040	38.02	81	2.40	47	5795	31.30	78	3.00	21	13137	70.95	61	0.95	23	11591	62.60	61	1.05	27	10011	54.07	61	1.25	31	8854	47.82	61	1.40	37	7441	40.19	61	1.65	40	6723	36.31	60	1.85	47	5818	31.42	59	2.10	53	5134	27.73	58	2.40	61	4434	23.95	57	2.80	69	3922	21.18	56	3.00	35	7838	42.33	34	0.90	40	6851	37.00	36	1.00	47	5792	31.28	34	1.10	51	5368	28.99	36	1.25	56	4871	26.31	36	1.40	65	4186	22.61	36	1.65	74	3655	19.74	36	1.85	88	3099	16.74	35	2.20																																																																																																																																																																																																																																																														
23	11591	62.60	61	1.05			27	10011	54.07	61	1.25			31	8854	47.82	61	1.40			37	7441	40.19	61	1.65			GK159 GKF159 GKA159 GKAF159	4P	40	6723	36.31			60	1.85	47	5818	31.42			59	2.10	53	5134	27.73			58	2.40	61	4434	23.95	57	2.80	GK129 GKF129 GKA129 GKAF129	4P	69	3922	21.18	56	3.00			24	12605	68.08	135	2.40			24	11246	60.74	135	2.70			15	18556	100.22	88	0.90			16	16969	91.65	88	1.00			18	14766	79.75	88	1.15			21	13031	70.38	87	1.30			24	11298	61.02	86	1.50	27	10052	54.29	85	1.70	31	8663	46.79	83	1.95	39	7040	38.02	81	2.40	47	5795	31.30	78	3.00	21	13137	70.95	61	0.95	23	11591	62.60	61	1.05	27	10011	54.07	61	1.25	31	8854	47.82	61	1.40	37	7441	40.19	61	1.65	40	6723	36.31	60	1.85	47	5818	31.42	59	2.10	53	5134	27.73	58	2.40	61	4434	23.95	57	2.80	69	3922	21.18	56	3.00	35	7838	42.33	34	0.90	40	6851	37.00	36	1.00	47	5792	31.28	34	1.10	51	5368	28.99	36	1.25	56	4871	26.31	36	1.40	65	4186	22.61	36	1.65	74	3655	19.74	36	1.85	88	3099	16.74	35	2.20	8.2	33302	179.86	171	1.45	8.9	30589	165.21	171	1.55	10	26771	144.59	171	1.75	11	24013	129.69	171	2.00	13	20848	112.60	171	2.22	14	18915	102.16	171	2.30	17	16293	88.00	171	2.50	13	20335	109.83	135	1.50	17	16268	87.86	135	1.85	19	14468	78.14	135	2.10	22	12605	68.08	135	2.40	24	11246	60.74	135	2.70	15	18556	100.22	88	0.90	16	16969	91.65	88	1.00	18	14766	79.75	88	1.15	21	13031	70.38	87	1.30	24	11298	61.02	86	1.50	27	10052	54.29	85	1.70	31	8663	46.79	83	1.95	39	7040	38.02	81	2.40	47	5795	31.30	78	3.00	21	13137	70.95	61	0.95	23	11591	62.60	61	1.05	27	10011	54.07	61	1.25	31	8854	47.82	61	1.40	37	7441	40.19	61	1.65	40	6723	36.31	60	1.85	47	5818	31.42	59	2.10	53	5134	27.73	58	2.40	61	4434	23.95	57	2.80	69	3922	21.18	56	3.00	35	7838	42.33	34	0.90	40	6851	37.00	36	1.00	47	5792	31.28	34	1.10	51	5368	28.99	36	1.25	56	4871	26.31	36	1.40	65	4186	22.61	36	1.65	74	3655	19.74	36	1.85	88	3099	16.74	35	2.20																																																																																																																																																																																																																																																																					
27	10011	54.07	61	1.25			31	8854	47.82	61	1.40			37	7441	40.19	61	1.65			GK159 GKF159 GKA159 GKAF159	4P	40	6723	36.31	60	1.85			47	5818	31.42			59	2.10	53	5134	27.73			58	2.40	61	4434	23.95	57	2.80	GK129 GKF129 GKA129 GKAF129	4P	69	3922	21.18	56	3.00			24	12605	68.08	135	2.40			24	11246	60.74	135	2.70			15	18556	100.22	88	0.90			16	16969	91.65	88	1.00			18	14766	79.75	88	1.15			21	13031	70.38	87	1.30			24	11298	61.02	86	1.50	27	10052	54.29	85	1.70	31	8663	46.79	83	1.95	39	7040	38.02	81	2.40	47	5795	31.30	78	3.00	21	13137	70.95	61	0.95	23	11591	62.60	61	1.05	27	10011	54.07	61	1.25	31	8854	47.82	61	1.40	37	7441	40.19	61	1.65	40	6723	36.31	60	1.85	47	5818	31.42	59	2.10	53	5134	27.73	58	2.40	61	4434	23.95	57	2.80	69	3922	21.18	56	3.00	35	7838	42.33	34	0.90	40	6851	37.00	36	1.00	47	5792	31.28	34	1.10	51	5368	28.99	36	1.25	56	4871	26.31	36	1.40	65	4186	22.61	36	1.65	74	3655	19.74	36	1.85	88	3099	16.74	35	2.20	8.2	33302	179.86	171	1.45	8.9	30589	165.21	171	1.55	10	26771	144.59	171	1.75	11	24013	129.69	171	2.00	13	20848	112.60	171	2.22	14	18915	102.16	171	2.30	17	16293	88.00	171	2.50	13	20335	109.83	135	1.50	17	16268	87.86	135	1.85	19	14468	78.14	135	2.10	22	12605	68.08	135	2.40	24	11246	60.74	135	2.70	15	18556	100.22	88	0.90	16	16969	91.65	88	1.00	18	14766	79.75	88	1.15	21	13031	70.38	87	1.30	24	11298	61.02	86	1.50	27	10052	54.29	85	1.70	31	8663	46.79	83	1.95	39	7040	38.02	81	2.40	47	5795	31.30	78	3.00	21	13137	70.95	61	0.95	23	11591	62.60	61	1.05	27	10011	54.07	61	1.25	31	8854	47.82	61	1.40	37	7441	40.19	61	1.65	40	6723	36.31	60	1.85	47	5818	31.42	59	2.10	53	5134	27.73	58	2.40	61	4434	23.95	57	2.80	69	3922	21.18	56	3.00	35	7838	42.33	34	0.90	40	6851	37.00	36	1.00	47	5792	31.28	34	1.10	51	5368	28.99	36	1.25	56	4871	26.31	36	1.40	65	4186	22.61	36	1.65	74	3655	19.74	36	1.85	88	3099	16.74	35	2.20																																																																																																																																																																																																																																																																												
31	8854	47.82	61	1.40			37	7441	40.19	61	1.65			GK159 GKF159 GKA159 GKAF159	4P	40	6723	36.31	60	1.85			47	5818	31.42	59	2.10			53	5134	27.73			58	2.40	61	4434	23.95	57	2.80	GK129 GKF129 GKA129 GKAF129	4P	69	3922	21.18	56	3.00			24	12605	68.08	135	2.40			24	11246	60.74	135	2.70			15	18556	100.22	88	0.90			16	16969	91.65	88	1.00			18	14766	79.75	88	1.15			21	13031	70.38	87	1.30			24	11298	61.02	86	1.50	27	10052	54.29	85	1.70	31	8663	46.79	83	1.95	39	7040	38.02	81	2.40	47	5795	31.30	78	3.00	21	13137	70.95	61	0.95	23	11591	62.60	61	1.05	27	10011	54.07	61	1.25	31	8854	47.82	61	1.40	37	7441	40.19	61	1.65	40	6723	36.31	60	1.85	47	5818	31.42	59	2.10	53	5134	27.73	58	2.40	61	4434	23.95	57	2.80	69	3922	21.18	56	3.00	35	7838	42.33	34	0.90	40	6851	37.00	36	1.00	47	5792	31.28	34	1.10	51	5368	28.99	36	1.25	56	4871	26.31	36	1.40	65	4186	22.61	36	1.65	74	3655	19.74	36	1.85	88	3099	16.74	35	2.20	8.2	33302	179.86	171	1.45	8.9	30589	165.21	171	1.55	10	26771	144.59	171	1.75	11	24013	129.69	171	2.00	13	20848	112.60	171	2.22	14	18915	102.16	171	2.30	17	16293	88.00	171	2.50	13	20335	109.83	135	1.50	17	16268	87.86	135	1.85	19	14468	78.14	135	2.10	22	12605	68.08	135	2.40	24	11246	60.74	135	2.70	15	18556	100.22	88	0.90	16	16969	91.65	88	1.00	18	14766	79.75	88	1.15	21	13031	70.38	87	1.30	24	11298	61.02	86	1.50	27	10052	54.29	85	1.70	31	8663	46.79	83	1.95	39	7040	38.02	81	2.40	47	5795	31.30	78	3.00	21	13137	70.95	61	0.95	23	11591	62.60	61	1.05	27	10011	54.07	61	1.25	31	8854	47.82	61	1.40	37	7441	40.19	61	1.65	40	6723	36.31	60	1.85	47	5818	31.42	59	2.10	53	5134	27.73	58	2.40	61	4434	23.95	57	2.80	69	3922	21.18	56	3.00	35	7838	42.33	34	0.90	40	6851	37.00	36	1.00	47	5792	31.28	34	1.10	51	5368	28.99	36	1.25	56	4871	26.31	36	1.40	65	4186	22.61	36	1.65	74	3655	19.74	36	1.85	88	3099	16.74	35	2.20																																																																																																																																																																																																																																																																																			
37	7441	40.19	61	1.65			GK159 GKF159 GKA159 GKAF159	4P	40	6723	36.31	60	1.85			47	5818	31.42	59	2.10			53	5134	27.73	58	2.40			61	4434	23.95	57	2.80	GK129 GKF129 GKA129 GKAF129	4P	69	3922	21.18	56	3.00			24	12605	68.08	135	2.40			24	11246	60.74	135	2.70			15	18556	100.22	88	0.90			16	16969	91.65	88	1.00			18	14766	79.75	88	1.15			21	13031	70.38	87	1.30			24	11298	61.02	86	1.50	27	10052	54.29	85	1.70	31	8663	46.79	83	1.95	39	7040	38.02	81	2.40	47	5795	31.30	78	3.00	21	13137	70.95	61	0.95	23	11591	62.60	61	1.05	27	10011	54.07	61	1.25	31	8854	47.82	61	1.40	37	7441	40.19	61	1.65	40	6723	36.31	60	1.85	47	5818	31.42	59	2.10	53	5134	27.73	58	2.40	61	4434	23.95	57	2.80	69	3922	21.18	56	3.00	35	7838	42.33	34	0.90	40	6851	37.00	36	1.00	47	5792	31.28	34	1.10	51	5368	28.99	36	1.25	56	4871	26.31	36	1.40	65	4186	22.61	36	1.65	74	3655	19.74	36	1.85	88	3099	16.74	35	2.20	8.2	33302	179.86	171	1.45	8.9	30589	165.21	171	1.55	10	26771	144.59	171	1.75	11	24013	129.69	171	2.00	13	20848	112.60	171	2.22	14	18915	102.16	171	2.30	17	16293	88.00	171	2.50	13	20335	109.83	135	1.50	17	16268	87.86	135	1.85	19	14468	78.14	135	2.10	22	12605	68.08	135	2.40	24	11246	60.74	135	2.70	15	18556	100.22	88	0.90	16	16969	91.65	88	1.00	18	14766	79.75	88	1.15	21	13031	70.38	87	1.30	24	11298	61.02	86	1.50	27	10052	54.29	85	1.70	31	8663	46.79	83	1.95	39	7040	38.02	81	2.40	47	5795	31.30	78	3.00	21	13137	70.95	61	0.95	23	11591	62.60	61	1.05	27	10011	54.07	61	1.25	31	8854	47.82	61	1.40	37	7441	40.19	61	1.65	40	6723	36.31	60	1.85	47	5818	31.42	59	2.10	53	5134	27.73	58	2.40	61	4434	23.95	57	2.80	69	3922	21.18	56	3.00	35	7838	42.33	34	0.90	40	6851	37.00	36	1.00	47	5792	31.28	34	1.10	51	5368	28.99	36	1.25	56	4871	26.31	36	1.40	65	4186	22.61	36	1.65	74	3655	19.74	36	1.85	88	3099	16.74	35	2.20																																																																																																																																																																																																																																																																																										
40	6723	36.31	60	1.85	47	5818			31.42	59	2.10	53	5134			27.73	58	2.40	61	4434			23.95	57	2.80	GK129 GKF129 GKA129 GKAF129	4P	69	3922	21.18	56	3.00	24	12605			68.08	135	2.40	24	11246			60.74	135	2.70	15	18556			100.22	88	0.90	16	16969			91.65	88	1.00	18	14766			79.75	88	1.15	21	13031			70.38	87	1.30	24	11298			61.02	86	1.50	27	10052	54.29	85	1.70	31	8663	46.79	83	1.95	39	7040	38.02	81	2.40	47	5795	31.30	78	3.00	21	13137	70.95	61	0.95	23	11591	62.60	61	1.05	27	10011	54.07	61	1.25	31	8854	47.82	61	1.40	37	7441	40.19	61	1.65	40	6723	36.31	60	1.85	47	5818	31.42	59	2.10	53	5134	27.73	58	2.40	61	4434	23.95	57	2.80	69	3922	21.18	56	3.00	35	7838	42.33	34	0.90	40	6851	37.00	36	1.00	47	5792	31.28	34	1.10	51	5368	28.99	36	1.25	56	4871	26.31	36	1.40	65	4186	22.61	36	1.65	74	3655	19.74	36	1.85	88	3099	16.74	35	2.20	8.2	33302	179.86	171	1.45	8.9	30589	165.21	171	1.55	10	26771	144.59	171	1.75	11	24013	129.69	171	2.00	13	20848	112.60	171	2.22	14	18915	102.16	171	2.30	17	16293	88.00	171	2.50	13	20335	109.83	135	1.50	17	16268	87.86	135	1.85	19	14468	78.14	135	2.10	22	12605	68.08	135	2.40	24	11246	60.74	135	2.70	15	18556	100.22	88	0.90	16	16969	91.65	88	1.00	18	14766	79.75	88	1.15	21	13031	70.38	87	1.30	24	11298	61.02	86	1.50	27	10052	54.29	85	1.70	31	8663	46.79	83	1.95	39	7040	38.02	81	2.40	47	5795	31.30	78	3.00	21	13137	70.95	61	0.95	23	11591	62.60	61	1.05	27	10011	54.07	61	1.25	31	8854	47.82	61	1.40	37	7441	40.19	61	1.65	40	6723	36.31	60	1.85	47	5818	31.42	59	2.10	53	5134	27.73	58	2.40	61	4434	23.95	57	2.80	69	3922	21.18	56	3.00	35	7838	42.33	34	0.90	40	6851	37.00	36	1.00	47	5792	31.28	34	1.10	51	5368	28.99	36	1.25	56	4871	26.31	36	1.40	65	4186	22.61	36	1.65	74	3655	19.74	36	1.85	88	3099	16.74	35	2.20																																																																																																																																																																																																																																																																																																			
47	5818	31.42	59	2.10	53	5134			27.73	58	2.40	61	4434			23.95	57	2.80	GK129 GKF129 GKA129 GKAF129	4P	69	3922	21.18	56	3.00			24	12605	68.08	135	2.40	24	11246			60.74	135	2.70	15	18556			100.22	88	0.90	16	16969			91.65	88	1.00	18	14766			79.75	88	1.15	21	13031			70.38	87	1.30	24	11298			61.02	86	1.50	27	10052	54.29	85	1.70	31	8663	46.79	83	1.95	39	7040	38.02	81	2.40	47	5795	31.30	78	3.00	21	13137	70.95	61	0.95	23	11591	62.60	61	1.05	27	10011	54.07	61	1.25	31	8854	47.82	61	1.40	37	7441	40.19	61	1.65	40	6723	36.31	60	1.85	47	5818	31.42	59	2.10	53	5134	27.73	58	2.40	61	4434	23.95	57	2.80	69	3922	21.18	56	3.00	35	7838	42.33	34	0.90	40	6851	37.00	36	1.00	47	5792	31.28	34	1.10	51	5368	28.99	36	1.25	56	4871	26.31	36	1.40	65	4186	22.61	36	1.65	74	3655	19.74	36	1.85	88	3099	16.74	35	2.20	8.2	33302	179.86	171	1.45	8.9	30589	165.21	171	1.55	10	26771	144.59	171	1.75	11	24013	129.69	171	2.00	13	20848	112.60	171	2.22	14	18915	102.16	171	2.30	17	16293	88.00	171	2.50	13	20335	109.83	135	1.50	17	16268	87.86	135	1.85	19	14468	78.14	135	2.10	22	12605	68.08	135	2.40	24	11246	60.74	135	2.70	15	18556	100.22	88	0.90	16	16969	91.65	88	1.00	18	14766	79.75	88	1.15	21	13031	70.38	87	1.30	24	11298	61.02	86	1.50	27	10052	54.29	85	1.70	31	8663	46.79	83	1.95	39	7040	38.02	81	2.40	47	5795	31.30	78	3.00	21	13137	70.95	61	0.95	23	11591	62.60	61	1.05	27	10011	54.07	61	1.25	31	8854	47.82	61	1.40	37	7441	40.19	61	1.65	40	6723	36.31	60	1.85	47	5818	31.42	59	2.10	53	5134	27.73	58	2.40	61	4434	23.95	57	2.80	69	3922	21.18	56	3.00	35	7838	42.33	34	0.90	40	6851	37.00	36	1.00	47	5792	31.28	34	1.10	51	5368	28.99	36	1.25	56	4871	26.31	36	1.40	65	4186	22.61	36	1.65	74	3655	19.74	36	1.85	88	3099	16.74	35	2.20																																																																																																																																																																																																																																																																																																										
53	5134	27.73	58	2.40	61	4434			23.95	57	2.80	GK129 GKF129 GKA129 GKAF129	4P	69	3922	21.18	56	3.00			24	12605	68.08	135	2.40			24	11246	60.74	135	2.70	15	18556			100.22	88	0.90	16	16969			91.65	88	1.00	18	14766			79.75	88	1.15	21	13031			70.38	87	1.30	24	11298			61.02	86	1.50	27	10052	54.29	85	1.70	31	8663	46.79	83	1.95	39	7040	38.02	81	2.40	47	5795	31.30	78	3.00	21	13137	70.95	61	0.95	23	11591	62.60	61	1.05	27	10011	54.07	61	1.25	31	8854	47.82	61	1.40	37	7441	40.19	61	1.65	40	6723	36.31	60	1.85	47	5818	31.42	59	2.10	53	5134	27.73	58	2.40	61	4434	23.95	57	2.80	69	3922	21.18	56	3.00	35	7838	42.33	34	0.90	40	6851	37.00	36	1.00	47	5792	31.28	34	1.10	51	5368	28.99	36	1.25	56	4871	26.31	36	1.40	65	4186	22.61	36	1.65	74	3655	19.74	36	1.85	88	3099	16.74	35	2.20	8.2	33302	179.86	171	1.45	8.9	30589	165.21	171	1.55	10	26771	144.59	171	1.75	11	24013	129.69	171	2.00	13	20848	112.60	171	2.22	14	18915	102.16	171	2.30	17	16293	88.00	171	2.50	13	20335	109.83	135	1.50	17	16268	87.86	135	1.85	19	14468	78.14	135	2.10	22	12605	68.08	135	2.40	24	11246	60.74	135	2.70	15	18556	100.22	88	0.90	16	16969	91.65	88	1.00	18	14766	79.75	88	1.15	21	13031	70.38	87	1.30	24	11298	61.02	86	1.50	27	10052	54.29	85	1.70	31	8663	46.79	83	1.95	39	7040	38.02	81	2.40	47	5795	31.30	78	3.00	21	13137	70.95	61	0.95	23	11591	62.60	61	1.05	27	10011	54.07	61	1.25	31	8854	47.82	61	1.40	37	7441	40.19	61	1.65	40	6723	36.31	60	1.85	47	5818	31.42	59	2.10	53	5134	27.73	58	2.40	61	4434	23.95	57	2.80	69	3922	21.18	56	3.00	35	7838	42.33	34	0.90	40	6851	37.00	36	1.00	47	5792	31.28	34	1.10	51	5368	28.99	36	1.25	56	4871	26.31	36	1.40	65	4186	22.61	36	1.65	74	3655	19.74	36	1.85	88	3099	16.74	35	2.20																																																																																																																																																																																																																																																																																																																	
61	4434	23.95	57	2.80	GK129 GKF129 GKA129 GKAF129	4P	69	3922	21.18	56	3.00			24	12605	68.08	135	2.40			24	11246	60.74	135	2.70			15	18556	100.22	88	0.90	16	16969			91.65	88	1.00	18	14766			79.75	88	1.15	21	13031			70.38	87	1.30	24	11298			61.02	86	1.50	27	10052	54.29	85	1.70	31	8663	46.79	83	1.95	39	7040	38.02	81	2.40	47	5795	31.30	78	3.00	21	13137	70.95	61	0.95	23	11591	62.60	61	1.05	27	10011	54.07	61	1.25	31	8854	47.82	61	1.40	37	7441	40.19	61	1.65	40	6723	36.31	60	1.85	47	5818	31.42	59	2.10	53	5134	27.73	58	2.40	61	4434	23.95	57	2.80	69	3922	21.18	56	3.00	35	7838	42.33	34	0.90	40	6851	37.00	36	1.00	47	5792	31.28	34	1.10	51	5368	28.99	36	1.25	56	4871	26.31	36	1.40	65	4186	22.61	36	1.65	74	3655	19.74	36	1.85	88	3099	16.74	35	2.20	8.2	33302	179.86	171	1.45	8.9	30589	165.21	171	1.55	10	26771	144.59	171	1.75	11	24013	129.69	171	2.00	13	20848	112.60	171	2.22	14	18915	102.16	171	2.30	17	16293	88.00	171	2.50	13	20335	109.83	135	1.50	17	16268	87.86	135	1.85	19	14468	78.14	135	2.10	22	12605	68.08	135	2.40	24	11246	60.74	135	2.70	15	18556	100.22	88	0.90	16	16969	91.65	88	1.00	18	14766	79.75	88	1.15	21	13031	70.38	87	1.30	24	11298	61.02	86	1.50	27	10052	54.29	85	1.70	31	8663	46.79	83	1.95	39	7040	38.02	81	2.40	47	5795	31.30	78	3.00	21	13137	70.95	61	0.95	23	11591	62.60	61	1.05	27	10011	54.07	61	1.25	31	8854	47.82	61	1.40	37	7441	40.19	61	1.65	40	6723	36.31	60	1.85	47	5818	31.42	59	2.10	53	5134	27.73	58	2.40	61	4434	23.95	57	2.80	69	3922	21.18	56	3.00	35	7838	42.33	34	0.90	40	6851	37.00	36	1.00	47	5792	31.28	34	1.10	51	5368	28.99	36	1.25	56	4871	26.31	36	1.40	65	4186	22.61	36	1.65	74	3655	19.74	36	1.85	88	3099	16.74	35	2.20																																																																																																																																																																																																																																																																																																																								
69	3922	21.18	56	3.00			24	12605	68.08	135	2.40			24	11246	60.74	135	2.70			15	18556	100.22	88	0.90			16	16969	91.65	88	1.00	18	14766			79.75	88	1.15	21	13031			70.38	87	1.30	24	11298			61.02	86	1.50	27	10052	54.29	85	1.70	31	8663	46.79	83	1.95	39	7040	38.02	81	2.40	47	5795	31.30	78	3.00	21	13137	70.95	61	0.95	23	11591	62.60	61	1.05	27	10011	54.07	61	1.25	31	8854	47.82	61	1.40	37	7441	40.19	61	1.65	40	6723	36.31	60	1.85	47	5818	31.42	59	2.10	53	5134	27.73	58	2.40	61	4434	23.95	57	2.80	69	3922	21.18	56	3.00	35	7838	42.33	34	0.90	40	6851	37.00	36	1.00	47	5792	31.28	34	1.10	51	5368	28.99	36	1.25	56	4871	26.31	36	1.40	65	4186	22.61	36	1.65	74	3655	19.74	36	1.85	88	3099	16.74	35	2.20	8.2	33302	179.86	171	1.45	8.9	30589	165.21	171	1.55	10	26771	144.59	171	1.75	11	24013	129.69	171	2.00	13	20848	112.60	171	2.22	14	18915	102.16	171	2.30	17	16293	88.00	171	2.50	13	20335	109.83	135	1.50	17	16268	87.86	135	1.85	19	14468	78.14	135	2.10	22	12605	68.08	135	2.40	24	11246	60.74	135	2.70	15	18556	100.22	88	0.90	16	16969	91.65	88	1.00	18	14766	79.75	88	1.15	21	13031	70.38	87	1.30	24	11298	61.02	86	1.50	27	10052	54.29	85	1.70	31	8663	46.79	83	1.95	39	7040	38.02	81	2.40	47	5795	31.30	78	3.00	21	13137	70.95	61	0.95	23	11591	62.60	61	1.05	27	10011	54.07	61	1.25	31	8854	47.82	61	1.40	37	7441	40.19	61	1.65	40	6723	36.31	60	1.85	47	5818	31.42	59	2.10	53	5134	27.73	58	2.40	61	4434	23.95	57	2.80	69	3922	21.18	56	3.00	35	7838	42.33	34	0.90	40	6851	37.00	36	1.00	47	5792	31.28	34	1.10	51	5368	28.99	36	1.25	56	4871	26.31	36	1.40	65	4186	22.61	36	1.65	74	3655	19.74	36	1.85	88	3099	16.74	35	2.20																																																																																																																																																																																																																																																																																																																															
24	12605	68.08	135	2.40			24	11246	60.74	135	2.70			15	18556	100.22	88	0.90			16	16969	91.65	88	1.00			18	14766	79.75	88	1.15	21	13031			70.38	87	1.30	24	11298			61.02	86	1.50	27	10052	54.29	85	1.70	31	8663	46.79	83	1.95	39	7040	38.02	81	2.40	47	5795	31.30	78	3.00	21	13137	70.95	61	0.95	23	11591	62.60	61	1.05	27	10011	54.07	61	1.25	31	8854	47.82	61	1.40	37	7441	40.19	61	1.65	40	6723	36.31	60	1.85	47	5818	31.42	59	2.10	53	5134	27.73	58	2.40	61	4434	23.95	57	2.80	69	3922	21.18	56	3.00	35	7838	42.33	34	0.90	40	6851	37.00	36	1.00	47	5792	31.28	34	1.10	51	5368	28.99	36	1.25	56	4871	26.31	36	1.40	65	4186	22.61	36	1.65	74	3655	19.74	36	1.85	88	3099	16.74	35	2.20	8.2	33302	179.86	171	1.45	8.9	30589	165.21	171	1.55	10	26771	144.59	171	1.75	11	24013	129.69	171	2.00	13	20848	112.60	171	2.22	14	18915	102.16	171	2.30	17	16293	88.00	171	2.50	13	20335	109.83	135	1.50	17	16268	87.86	135	1.85	19	14468	78.14	135	2.10	22	12605	68.08	135	2.40	24	11246	60.74	135	2.70	15	18556	100.22	88	0.90	16	16969	91.65	88	1.00	18	14766	79.75	88	1.15	21	13031	70.38	87	1.30	24	11298	61.02	86	1.50	27	10052	54.29	85	1.70	31	8663	46.79	83	1.95	39	7040	38.02	81	2.40	47	5795	31.30	78	3.00	21	13137	70.95	61	0.95	23	11591	62.60	61	1.05	27	10011	54.07	61	1.25	31	8854	47.82	61	1.40	37	7441	40.19	61	1.65	40	6723	36.31	60	1.85	47	5818	31.42	59	2.10	53	5134	27.73	58	2.40	61	4434	23.95	57	2.80	69	3922	21.18	56	3.00	35	7838	42.33	34	0.90	40	6851	37.00	36	1.00	47	5792	31.28	34	1.10	51	5368	28.99	36	1.25	56	4871	26.31	36	1.40	65	4186	22.61	36	1.65	74	3655	19.74	36	1.85	88	3099	16.74	35	2.20																																																																																																																																																																																																																																																																																																																																						
24	11246	60.74	135	2.70			15	18556	100.22	88	0.90			16	16969	91.65	88	1.00			18	14766	79.75	88	1.15			21	13031	70.38	87	1.30	24	11298			61.02	86	1.50	27	10052	54.29	85	1.70	31	8663	46.79	83	1.95	39	7040	38.02	81	2.40	47	5795	31.30	78	3.00	21	13137	70.95	61	0.95	23	11591	62.60	61	1.05	27	10011	54.07	61	1.25	31	8854	47.82	61	1.40	37	7441	40.19	61	1.65	40	6723	36.31	60	1.85	47	5818	31.42	59	2.10	53	5134	27.73	58	2.40	61	4434	23.95	57	2.80	69	3922	21.18	56	3.00	35	7838	42.33	34	0.90	40	6851	37.00	36	1.00	47	5792	31.28	34	1.10	51	5368	28.99	36	1.25	56	4871	26.31	36	1.40	65	4186	22.61	36	1.65	74	3655	19.74	36	1.85	88	3099	16.74	35	2.20	8.2	33302	179.86	171	1.45	8.9	30589	165.21	171	1.55	10	26771	144.59	171	1.75	11	24013	129.69	171	2.00	13	20848	112.60	171	2.22	14	18915	102.16	171	2.30	17	16293	88.00	171	2.50	13	20335	109.83	135	1.50	17	16268	87.86	135	1.85	19	14468	78.14	135	2.10	22	12605	68.08	135	2.40	24	11246	60.74	135	2.70	15	18556	100.22	88	0.90	16	16969	91.65	88	1.00	18	14766	79.75	88	1.15	21	13031	70.38	87	1.30	24	11298	61.02	86	1.50	27	10052	54.29	85	1.70	31	8663	46.79	83	1.95	39	7040	38.02	81	2.40	47	5795	31.30	78	3.00	21	13137	70.95	61	0.95	23	11591	62.60	61	1.05	27	10011	54.07	61	1.25	31	8854	47.82	61	1.40	37	7441	40.19	61	1.65	40	6723	36.31	60	1.85	47	5818	31.42	59	2.10	53	5134	27.73	58	2.40	61	4434	23.95	57	2.80	69	3922	21.18	56	3.00	35	7838	42.33	34	0.90	40	6851	37.00	36	1.00	47	5792	31.28	34	1.10	51	5368	28.99	36	1.25	56	4871	26.31	36	1.40	65	4186	22.61	36	1.65	74	3655	19.74	36	1.85	88	3099	16.74	35	2.20																																																																																																																																																																																																																																																																																																																																													
15	18556	100.22	88	0.90			16	16969	91.65	88	1.00			18	14766	79.75	88	1.15			21	13031	70.38	87	1.30			24	11298	61.02	86	1.50	27	10052	54.29	85	1.70	31	8663	46.79	83	1.95	39	7040	38.02	81	2.40	47	5795	31.30	78	3.00	21	13137	70.95	61	0.95	23	11591	62.60	61	1.05	27	10011	54.07	61	1.25	31	8854	47.82	61	1.40	37	7441	40.19	61	1.65	40	6723	36.31	60	1.85	47	5818	31.42	59	2.10	53	5134	27.73	58	2.40	61	4434	23.95	57	2.80	69	3922	21.18	56	3.00	35	7838	42.33	34	0.90	40	6851	37.00	36	1.00	47	5792	31.28	34	1.10	51	5368	28.99	36	1.25	56	4871	26.31	36	1.40	65	4186	22.61	36	1.65	74	3655	19.74	36	1.85	88	3099	16.74	35	2.20	8.2	33302	179.86	171	1.45	8.9	30589	165.21	171	1.55	10	26771	144.59	171	1.75	11	24013	129.69	171	2.00	13	20848	112.60	171	2.22	14	18915	102.16	171	2.30	17	16293	88.00	171	2.50	13	20335	109.83	135	1.50	17	16268	87.86	135	1.85	19	14468	78.14	135	2.10	22	12605	68.08	135	2.40	24	11246	60.74	135	2.70	15	18556	100.22	88	0.90	16	16969	91.65	88	1.00	18	14766	79.75	88	1.15	21	13031	70.38	87	1.30	24	11298	61.02	86	1.50	27	10052	54.29	85	1.70	31	8663	46.79	83	1.95	39	7040	38.02	81	2.40	47	5795	31.30	78	3.00	21	13137	70.95	61	0.95	23	11591	62.60	61	1.05	27	10011	54.07	61	1.25	31	8854	47.82	61	1.40	37	7441	40.19	61	1.65	40	6723	36.31	60	1.85	47	5818	31.42	59	2.10	53	5134	27.73	58	2.40	61	4434	23.95	57	2.80	69	3922	21.18	56	3.00	35	7838	42.33	34	0.90	40	6851	37.00	36	1.00	47	5792	31.28	34	1.10	51	5368	28.99	36	1.25	56	4871	26.31	36	1.40	65	4186	22.61	36	1.65	74	3655	19.74	36	1.85	88	3099	16.74	35	2.20																																																																																																																																																																																																																																																																																																																																																				
16	16969	91.65	88	1.00			18	14766	79.75	88	1.15			21	13031	70.38	87	1.30			24	11298	61.02	86	1.50	27	10052	54.29	85	1.70	31	8663	46.79	83	1.95	39	7040	38.02	81	2.40	47	5795	31.30	78	3.00	21	13137	70.95	61	0.95	23	11591	62.60	61	1.05	27	10011	54.07	61	1.25	31	8854	47.82	61	1.40	37	7441	40.19	61	1.65	40	6723	36.31	60	1.85	47	5818	31.42	59	2.10	53	5134	27.73	58	2.40	61	4434	23.95	57	2.80	69	3922	21.18	56	3.00	35	7838	42.33	34	0.90	40	6851	37.00	36	1.00	47	5792	31.28	34	1.10	51	5368	28.99	36	1.25	56	4871	26.31	36	1.40	65	4186	22.61	36	1.65	74	3655	19.74	36	1.85	88	3099	16.74	35	2.20	8.2	33302	179.86	171	1.45	8.9	30589	165.21	171	1.55	10	26771	144.59	171	1.75	11	24013	129.69	171	2.00	13	20848	112.60	171	2.22	14	18915	102.16	171	2.30	17	16293	88.00	171	2.50	13	20335	109.83	135	1.50	17	16268	87.86	135	1.85	19	14468	78.14	135	2.10	22	12605	68.08	135	2.40	24	11246	60.74	135	2.70	15	18556	100.22	88	0.90	16	16969	91.65	88	1.00	18	14766	79.75	88	1.15	21	13031	70.38	87	1.30	24	11298	61.02	86	1.50	27	10052	54.29	85	1.70	31	8663	46.79	83	1.95	39	7040	38.02	81	2.40	47	5795	31.30	78	3.00	21	13137	70.95	61	0.95	23	11591	62.60	61	1.05	27	10011	54.07	61	1.25	31	8854	47.82	61	1.40	37	7441	40.19	61	1.65	40	6723	36.31	60	1.85	47	5818	31.42	59	2.10	53	5134	27.73	58	2.40	61	4434	23.95	57	2.80	69	3922	21.18	56	3.00	35	7838	42.33	34	0.90	40	6851	37.00	36	1.00	47	5792	31.28	34	1.10	51	5368	28.99	36	1.25	56	4871	26.31	36	1.40	65	4186	22.61	36	1.65	74	3655	19.74	36	1.85	88	3099	16.74	35	2.20																																																																																																																																																																																																																																																																																																																																																											
18	14766	79.75	88	1.15			21	13031	70.38	87	1.30			24	11298	61.02	86	1.50	27	10052	54.29	85	1.70	31	8663	46.79	83	1.95	39	7040	38.02	81	2.40	47	5795	31.30	78	3.00	21	13137	70.95	61	0.95	23	11591	62.60	61	1.05	27	10011	54.07	61	1.25	31	8854	47.82	61	1.40	37	7441	40.19	61	1.65	40	6723	36.31	60	1.85	47	5818	31.42	59	2.10	53	5134	27.73	58	2.40	61	4434	23.95	57	2.80	69	3922	21.18	56	3.00	35	7838	42.33	34	0.90	40	6851	37.00	36	1.00	47	5792	31.28	34	1.10	51	5368	28.99	36	1.25	56	4871	26.31	36	1.40	65	4186	22.61	36	1.65	74	3655	19.74	36	1.85	88	3099	16.74	35	2.20	8.2	33302	179.86	171	1.45	8.9	30589	165.21	171	1.55	10	26771	144.59	171	1.75	11	24013	129.69	171	2.00	13	20848	112.60	171	2.22	14	18915	102.16	171	2.30	17	16293	88.00	171	2.50	13	20335	109.83	135	1.50	17	16268	87.86	135	1.85	19	14468	78.14	135	2.10	22	12605	68.08	135	2.40	24	11246	60.74	135	2.70	15	18556	100.22	88	0.90	16	16969	91.65	88	1.00	18	14766	79.75	88	1.15	21	13031	70.38	87	1.30	24	11298	61.02	86	1.50	27	10052	54.29	85	1.70	31	8663	46.79	83	1.95	39	7040	38.02	81	2.40	47	5795	31.30	78	3.00	21	13137	70.95	61	0.95	23	11591	62.60	61	1.05	27	10011	54.07	61	1.25	31	8854	47.82	61	1.40	37	7441	40.19	61	1.65	40	6723	36.31	60	1.85	47	5818	31.42	59	2.10	53	5134	27.73	58	2.40	61	4434	23.95	57	2.80	69	3922	21.18	56	3.00	35	7838	42.33	34	0.90	40	6851	37.00	36	1.00	47	5792	31.28	34	1.10	51	5368	28.99	36	1.25	56	4871	26.31	36	1.40	65	4186	22.61	36	1.65	74	3655	19.74	36	1.85	88	3099	16.74	35	2.20																																																																																																																																																																																																																																																																																																																																																																		
21	13031	70.38	87	1.30			24	11298	61.02	86	1.50	27	10052	54.29	85	1.70	31	8663	46.79	83	1.95	39	7040	38.02	81	2.40	47	5795	31.30	78	3.00	21	13137	70.95	61	0.95	23	11591	62.60	61	1.05	27	10011	54.07	61	1.25	31	8854	47.82	61	1.40	37	7441	40.19	61	1.65	40	6723	36.31	60	1.85	47	5818	31.42	59	2.10	53	5134	27.73	58	2.40	61	4434	23.95	57	2.80	69	3922	21.18	56	3.00	35	7838	42.33	34	0.90	40	6851	37.00	36	1.00	47	5792	31.28	34	1.10	51	5368	28.99	36	1.25	56	4871	26.31	36	1.40	65	4186	22.61	36	1.65	74	3655	19.74	36	1.85	88	3099	16.74	35	2.20	8.2	33302	179.86	171	1.45	8.9	30589	165.21	171	1.55	10	26771	144.59	171	1.75	11	24013	129.69	171	2.00	13	20848	112.60	171	2.22	14	18915	102.16	171	2.30	17	16293	88.00	171	2.50	13	20335	109.83	135	1.50	17	16268	87.86	135	1.85	19	14468	78.14	135	2.10	22	12605	68.08	135	2.40	24	11246	60.74	135	2.70	15	18556	100.22	88	0.90	16	16969	91.65	88	1.00	18	14766	79.75	88	1.15	21	13031	70.38	87	1.30	24	11298	61.02	86	1.50	27	10052	54.29	85	1.70	31	8663	46.79	83	1.95	39	7040	38.02	81	2.40	47	5795	31.30	78	3.00	21	13137	70.95	61	0.95	23	11591	62.60	61	1.05	27	10011	54.07	61	1.25	31	8854	47.82	61	1.40	37	7441	40.19	61	1.65	40	6723	36.31	60	1.85	47	5818	31.42	59	2.10	53	5134	27.73	58	2.40	61	4434	23.95	57	2.80	69	3922	21.18	56	3.00	35	7838	42.33	34	0.90	40	6851	37.00	36	1.00	47	5792	31.28	34	1.10	51	5368	28.99	36	1.25	56	4871	26.31	36	1.40	65	4186	22.61	36	1.65	74	3655	19.74	36	1.85	88	3099	16.74	35	2.20																																																																																																																																																																																																																																																																																																																																																																									
24	11298	61.02	86	1.50	27	10052	54.29	85	1.70	31	8663	46.79	83	1.95	39	7040	38.02	81	2.40	47	5795	31.30	78	3.00	21	13137	70.95	61	0.95	23	11591	62.60	61	1.05	27	10011	54.07	61	1.25	31	8854	47.82	61	1.40	37	7441	40.19	61	1.65	40	6723	36.31	60	1.85	47	5818	31.42	59	2.10	53	5134	27.73	58	2.40	61	4434	23.95	57	2.80	69	3922	21.18	56	3.00	35	7838	42.33	34	0.90	40	6851	37.00	36	1.00	47	5792	31.28	34	1.10	51	5368	28.99	36	1.25	56	4871	26.31	36	1.40	65	4186	22.61	36	1.65	74	3655	19.74	36	1.85	88	3099	16.74	35	2.20	8.2	33302	179.86	171	1.45	8.9	30589	165.21	171	1.55	10	26771	144.59	171	1.75	11	24013	129.69	171	2.00	13	20848	112.60	171	2.22	14	18915	102.16	171	2.30	17	16293	88.00	171	2.50	13	20335	109.83	135	1.50	17	16268	87.86	135	1.85	19	14468	78.14	135	2.10	22	12605	68.08	135	2.40	24	11246	60.74	135	2.70	15	18556	100.22	88	0.90	16	16969	91.65	88	1.00	18	14766	79.75	88	1.15	21	13031	70.38	87	1.30	24	11298	61.02	86	1.50	27	10052	54.29	85	1.70	31	8663	46.79	83	1.95	39	7040	38.02	81	2.40	47	5795	31.30	78	3.00	21	13137	70.95	61	0.95	23	11591	62.60	61	1.05	27	10011	54.07	61	1.25	31	8854	47.82	61	1.40	37	7441	40.19	61	1.65	40	6723	36.31	60	1.85	47	5818	31.42	59	2.10	53	5134	27.73	58	2.40	61	4434	23.95	57	2.80	69	3922	21.18	56	3.00	35	7838	42.33	34	0.90	40	6851	37.00	36	1.00	47	5792	31.28	34	1.10	51	5368	28.99	36	1.25	56	4871	26.31	36	1.40	65	4186	22.61	36	1.65	74	3655	19.74	36	1.85	88	3099	16.74	35	2.20																																																																																																																																																																																																																																																																																																																																																																																
27	10052	54.29	85	1.70	31	8663	46.79	83	1.95	39	7040	38.02	81	2.40	47	5795	31.30	78	3.00	21	13137	70.95	61	0.95	23	11591	62.60	61	1.05	27	10011	54.07	61	1.25	31	8854	47.82	61	1.40	37	7441	40.19	61	1.65	40	6723	36.31	60	1.85	47	5818	31.42	59	2.10	53	5134	27.73	58	2.40	61	4434	23.95	57	2.80	69	3922	21.18	56	3.00	35	7838	42.33	34	0.90	40	6851	37.00	36	1.00	47	5792	31.28	34	1.10	51	5368	28.99	36	1.25	56	4871	26.31	36	1.40	65	4186	22.61	36	1.65	74	3655	19.74	36	1.85	88	3099	16.74	35	2.20	8.2	33302	179.86	171	1.45	8.9	30589	165.21	171	1.55	10	26771	144.59	171	1.75	11	24013	129.69	171	2.00	13	20848	112.60	171	2.22	14	18915	102.16	171	2.30	17	16293	88.00	171	2.50	13	20335	109.83	135	1.50	17	16268	87.86	135	1.85	19	14468	78.14	135	2.10	22	12605	68.08	135	2.40	24	11246	60.74	135	2.70	15	18556	100.22	88	0.90	16	16969	91.65	88	1.00	18	14766	79.75	88	1.15	21	13031	70.38	87	1.30	24	11298	61.02	86	1.50	27	10052	54.29	85	1.70	31	8663	46.79	83	1.95	39	7040	38.02	81	2.40	47	5795	31.30	78	3.00	21	13137	70.95	61	0.95	23	11591	62.60	61	1.05	27	10011	54.07	61	1.25	31	8854	47.82	61	1.40	37	7441	40.19	61	1.65	40	6723	36.31	60	1.85	47	5818	31.42	59	2.10	53	5134	27.73	58	2.40	61	4434	23.95	57	2.80	69	3922	21.18	56	3.00	35	7838	42.33	34	0.90	40	6851	37.00	36	1.00	47	5792	31.28	34	1.10	51	5368	28.99	36	1.25	56	4871	26.31	36	1.40	65	4186	22.61	36	1.65	74	3655	19.74	36	1.85	88	3099	16.74	35	2.20																																																																																																																																																																																																																																																																																																																																																																																					
31	8663	46.79	83	1.95	39	7040	38.02	81	2.40	47	5795	31.30	78	3.00	21	13137	70.95	61	0.95	23	11591	62.60	61	1.05	27	10011	54.07	61	1.25	31	8854	47.82	61	1.40	37	7441	40.19	61	1.65	40	6723	36.31	60	1.85	47	5818	31.42	59	2.10	53	5134	27.73	58	2.40	61	4434	23.95	57	2.80	69	3922	21.18	56	3.00	35	7838	42.33	34	0.90	40	6851	37.00	36	1.00	47	5792	31.28	34	1.10	51	5368	28.99	36	1.25	56	4871	26.31	36	1.40	65	4186	22.61	36	1.65	74	3655	19.74	36	1.85	88	3099	16.74	35	2.20	8.2	33302	179.86	171	1.45	8.9	30589	165.21	171	1.55	10	26771	144.59	171	1.75	11	24013	129.69	171	2.00	13	20848	112.60	171	2.22	14	18915	102.16	171	2.30	17	16293	88.00	171	2.50	13	20335	109.83	135	1.50	17	16268	87.86	135	1.85	19	14468	78.14	135	2.10	22	12605	68.08	135	2.40	24	11246	60.74	135	2.70	15	18556	100.22	88	0.90	16	16969	91.65	88	1.00	18	14766	79.75	88	1.15	21	13031	70.38	87	1.30	24	11298	61.02	86	1.50	27	10052	54.29	85	1.70	31	8663	46.79	83	1.95	39	7040	38.02	81	2.40	47	5795	31.30	78	3.00	21	13137	70.95	61	0.95	23	11591	62.60	61	1.05	27	10011	54.07	61	1.25	31	8854	47.82	61	1.40	37	7441	40.19	61	1.65	40	6723	36.31	60	1.85	47	5818	31.42	59	2.10	53	5134	27.73	58	2.40	61	4434	23.95	57	2.80	69	3922	21.18	56	3.00	35	7838	42.33	34	0.90	40	6851	37.00	36	1.00	47	5792	31.28	34	1.10	51	5368	28.99	36	1.25	56	4871	26.31	36	1.40	65	4186	22.61	36	1.65	74	3655	19.74	36	1.85	88	3099	16.74	35	2.20																																																																																																																																																																																																																																																																																																																																																																																										
39	7040	38.02	81	2.40	47	5795	31.30	78	3.00	21	13137	70.95	61	0.95	23	11591	62.60	61	1.05	27	10011	54.07	61	1.25	31	8854	47.82	61	1.40	37	7441	40.19	61	1.65	40	6723	36.31	60	1.85	47	5818	31.42	59	2.10	53	5134	27.73	58	2.40	61	4434	23.95	57	2.80	69	3922	21.18	56	3.00	35	7838	42.33	34	0.90	40	6851	37.00	36	1.00	47	5792	31.28	34	1.10	51	5368	28.99	36	1.25	56	4871	26.31	36	1.40	65	4186	22.61	36	1.65	74	3655	19.74	36	1.85	88	3099	16.74	35	2.20	8.2	33302	179.86	171	1.45	8.9	30589	165.21	171	1.55	10	26771	144.59	171	1.75	11	24013	129.69	171	2.00	13	20848	112.60	171	2.22	14	18915	102.16	171	2.30	17	16293	88.00	171	2.50	13	20335	109.83	135	1.50	17	16268	87.86	135	1.85	19	14468	78.14	135	2.10	22	12605	68.08	135	2.40	24	11246	60.74	135	2.70	15	18556	100.22	88	0.90	16	16969	91.65	88	1.00	18	14766	79.75	88	1.15	21	13031	70.38	87	1.30	24	11298	61.02	86	1.50	27	10052	54.29	85	1.70	31	8663	46.79	83	1.95	39	7040	38.02	81	2.40	47	5795	31.30	78	3.00	21	13137	70.95	61	0.95	23	11591	62.60	61	1.05	27	10011	54.07	61	1.25	31	8854	47.82	61	1.40	37	7441	40.19	61	1.65	40	6723	36.31	60	1.85	47	5818	31.42	59	2.10	53	5134	27.73	58	2.40	61	4434	23.95	57	2.80	69	3922	21.18	56	3.00	35	7838	42.33	34	0.90	40	6851	37.00	36	1.00	47	5792	31.28	34	1.10	51	5368	28.99	36	1.25	56	4871	26.31	36	1.40	65	4186	22.61	36	1.65	74	3655	19.74	36	1.85	88	3099	16.74	35	2.20																																																																																																																																																																																																																																																																																																																																																																																															
47	5795	31.30	78	3.00	21	13137	70.95	61	0.95	23	11591	62.60	61	1.05	27	10011	54.07	61	1.25	31	8854	47.82	61	1.40	37	7441	40.19	61	1.65	40	6723	36.31	60	1.85	47	5818	31.42	59	2.10	53	5134	27.73	58	2.40	61	4434	23.95	57	2.80	69	3922	21.18	56	3.00	35	7838	42.33	34	0.90	40	6851	37.00	36	1.00	47	5792	31.28	34	1.10	51	5368	28.99	36	1.25	56	4871	26.31	36	1.40	65	4186	22.61	36	1.65	74	3655	19.74	36	1.85	88	3099	16.74	35	2.20	8.2	33302	179.86	171	1.45	8.9	30589	165.21	171	1.55	10	26771	144.59	171	1.75	11	24013	129.69	171	2.00	13	20848	112.60	171	2.22	14	18915	102.16	171	2.30	17	16293	88.00	171	2.50	13	20335	109.83	135	1.50	17	16268	87.86	135	1.85	19	14468	78.14	135	2.10	22	12605	68.08	135	2.40	24	11246	60.74	135	2.70	15	18556	100.22	88	0.90	16	16969	91.65	88	1.00	18	14766	79.75	88	1.15	21	13031	70.38	87	1.30	24	11298	61.02	86	1.50	27	10052	54.29	85	1.70	31	8663	46.79	83	1.95	39	7040	38.02	81	2.40	47	5795	31.30	78	3.00	21	13137	70.95	61	0.95	23	11591	62.60	61	1.05	27	10011	54.07	61	1.25	31	8854	47.82	61	1.40	37	7441	40.19	61	1.65	40	6723	36.31	60	1.85	47	5818	31.42	59	2.10	53	5134	27.73	58	2.40	61	4434	23.95	57	2.80	69	3922	21.18	56	3.00	35	7838	42.33	34	0.90	40	6851	37.00	36	1.00	47	5792	31.28	34	1.10	51	5368	28.99	36	1.25	56	4871	26.31	36	1.40	65	4186	22.61	36	1.65	74	3655	19.74	36	1.85	88	3099	16.74	35	2.20																																																																																																																																																																																																																																																																																																																																																																																																				
21	13137	70.95	61	0.95	23	11591	62.60	61	1.05	27	10011	54.07	61	1.25	31	8854	47.82	61	1.40	37	7441	40.19	61	1.65	40	6723	36.31	60	1.85	47	5818	31.42	59	2.10	53	5134	27.73	58	2.40	61	4434	23.95	57	2.80	69	3922	21.18	56	3.00	35	7838	42.33	34	0.90	40	6851	37.00	36	1.00	47	5792	31.28	34	1.10	51	5368	28.99	36	1.25	56	4871	26.31	36	1.40	65	4186	22.61	36	1.65	74	3655	19.74	36	1.85	88	3099	16.74	35	2.20	8.2	33302	179.86	171	1.45	8.9	30589	165.21	171	1.55	10	26771	144.59	171	1.75	11	24013	129.69	171	2.00	13	20848	112.60	171	2.22	14	18915	102.16	171	2.30	17	16293	88.00	171	2.50	13	20335	109.83	135	1.50	17	16268	87.86	135	1.85	19	14468	78.14	135	2.10	22	12605	68.08	135	2.40	24	11246	60.74	135	2.70	15	18556	100.22	88	0.90	16	16969	91.65	88	1.00	18	14766	79.75	88	1.15	21	13031	70.38	87	1.30	24	11298	61.02	86	1.50	27	10052	54.29	85	1.70	31	8663	46.79	83	1.95	39	7040	38.02	81	2.40	47	5795	31.30	78	3.00	21	13137	70.95	61	0.95	23	11591	62.60	61	1.05	27	10011	54.07	61	1.25	31	8854	47.82	61	1.40	37	7441	40.19	61	1.65	40	6723	36.31	60	1.85	47	5818	31.42	59	2.10	53	5134	27.73	58	2.40	61	4434	23.95	57	2.80	69	3922	21.18	56	3.00	35	7838	42.33	34	0.90	40	6851	37.00	36	1.00	47	5792	31.28	34	1.10	51	5368	28.99	36	1.25	56	4871	26.31	36	1.40	65	4186	22.61	36	1.65	74	3655	19.74	36	1.85	88	3099	16.74	35	2.20																																																																																																																																																																																																																																																																																																																																																																																																									
23	11591	62.60	61	1.05	27	10011	54.07	61	1.25	31	8854	47.82	61	1.40	37	7441	40.19	61	1.65	40	6723	36.31	60	1.85	47	5818	31.42	59	2.10	53	5134	27.73	58	2.40	61	4434	23.95	57	2.80	69	3922	21.18	56	3.00	35	7838	42.33	34	0.90	40	6851	37.00	36	1.00	47	5792	31.28	34	1.10	51	5368	28.99	36	1.25	56	4871	26.31	36	1.40	65	4186	22.61	36	1.65	74	3655	19.74	36	1.85	88	3099	16.74	35	2.20	8.2	33302	179.86	171	1.45	8.9	30589	165.21	171	1.55	10	26771	144.59	171	1.75	11	24013	129.69	171	2.00	13	20848	112.60	171	2.22	14	18915	102.16	171	2.30	17	16293	88.00	171	2.50	13	20335	109.83	135	1.50	17	16268	87.86	135	1.85	19	14468	78.14	135	2.10	22	12605	68.08	135	2.40	24	11246	60.74	135	2.70	15	18556	100.22	88	0.90	16	16969	91.65	88	1.00	18	14766	79.75	88	1.15	21	13031	70.38	87	1.30	24	11298	61.02	86	1.50	27	10052	54.29	85	1.70	31	8663	46.79	83	1.95	39	7040	38.02	81	2.40	47	5795	31.30	78	3.00	21	13137	70.95	61	0.95	23	11591	62.60	61	1.05	27	10011	54.07	61	1.25	31	8854	47.82	61	1.40	37	7441	40.19	61	1.65	40	6723	36.31	60	1.85	47	5818	31.42	59	2.10	53	5134	27.73	58	2.40	61	4434	23.95	57	2.80	69	3922	21.18	56	3.00	35	7838	42.33	34	0.90	40	6851	37.00	36	1.00	47	5792	31.28	34	1.10	51	5368	28.99	36	1.25	56	4871	26.31	36	1.40	65	4186	22.61	36	1.65	74	3655	19.74	36	1.85	88	3099	16.74	35	2.20																																																																																																																																																																																																																																																																																																																																																																																																														
27	10011	54.07	61	1.25	31	8854	47.82	61	1.40	37	7441	40.19	61	1.65	40	6723	36.31	60	1.85	47	5818	31.42	59	2.10	53	5134	27.73	58	2.40	61	4434	23.95	57	2.80	69	3922	21.18	56	3.00	35	7838	42.33	34	0.90	40	6851	37.00	36	1.00	47	5792	31.28	34	1.10	51	5368	28.99	36	1.25	56	4871	26.31	36	1.40	65	4186	22.61	36	1.65	74	3655	19.74	36	1.85	88	3099	16.74	35	2.20	8.2	33302	179.86	171	1.45	8.9	30589	165.21	171	1.55	10	26771	144.59	171	1.75	11	24013	129.69	171	2.00	13	20848	112.60	171	2.22	14	18915	102.16	171	2.30	17	16293	88.00	171	2.50	13	20335	109.83	135	1.50	17	16268	87.86	135	1.85	19	14468	78.14	135	2.10	22	12605	68.08	135	2.40	24	11246	60.74	135	2.70	15	18556	100.22	88	0.90	16	16969	91.65	88	1.00	18	14766	79.75	88	1.15	21	13031	70.38	87	1.30	24	11298	61.02	86	1.50	27	10052	54.29	85	1.70	31	8663	46.79	83	1.95	39	7040	38.02	81	2.40	47	5795	31.30	78	3.00	21	13137	70.95	61	0.95	23	11591	62.60	61	1.05	27	10011	54.07	61	1.25	31	8854	47.82	61	1.40	37	7441	40.19	61	1.65	40	6723	36.31	60	1.85	47	5818	31.42	59	2.10	53	5134	27.73	58	2.40	61	4434	23.95	57	2.80	69	3922	21.18	56	3.00	35	7838	42.33	34	0.90	40	6851	37.00	36	1.00	47	5792	31.28	34	1.10	51	5368	28.99	36	1.25	56	4871	26.31	36	1.40	65	4186	22.61	36	1.65	74	3655	19.74	36	1.85	88	3099	16.74	35	2.20																																																																																																																																																																																																																																																																																																																																																																																																																			
31	8854	47.82	61	1.40	37	7441	40.19	61	1.65	40	6723	36.31	60	1.85	47	5818	31.42	59	2.10	53	5134	27.73	58	2.40	61	4434	23.95	57	2.80	69	3922	21.18	56	3.00	35	7838	42.33	34	0.90	40	6851	37.00	36	1.00	47	5792	31.28	34	1.10	51	5368	28.99	36	1.25	56	4871	26.31	36	1.40	65	4186	22.61	36	1.65	74	3655	19.74	36	1.85	88	3099	16.74	35	2.20	8.2	33302	179.86	171	1.45	8.9	30589	165.21	171	1.55	10	26771	144.59	171	1.75	11	24013	129.69	171	2.00	13	20848	112.60	171	2.22	14	18915	102.16	171	2.30	17	16293	88.00	171	2.50	13	20335	109.83	135	1.50	17	16268	87.86	135	1.85	19	14468	78.14	135	2.10	22	12605	68.08	135	2.40	24	11246	60.74	135	2.70	15	18556	100.22	88	0.90	16	16969	91.65	88	1.00	18	14766	79.75	88	1.15	21	13031	70.38	87	1.30	24	11298	61.02	86	1.50	27	10052	54.29	85	1.70	31	8663	46.79	83	1.95	39	7040	38.02	81	2.40	47	5795	31.30	78	3.00	21	13137	70.95	61	0.95	23	11591	62.60	61	1.05	27	10011	54.07	61	1.25	31	8854	47.82	61	1.40	37	7441	40.19	61	1.65	40	6723	36.31	60	1.85	47	5818	31.42	59	2.10	53	5134	27.73	58	2.40	61	4434	23.95	57	2.80	69	3922	21.18	56	3.00	35	7838	42.33	34	0.90	40	6851	37.00	36	1.00	47	5792	31.28	34	1.10	51	5368	28.99	36	1.25	56	4871	26.31	36	1.40	65	4186	22.61	36	1.65	74	3655	19.74	36	1.85	88	3099	16.74	35	2.20																																																																																																																																																																																																																																																																																																																																																																																																																								
37	7441	40.19	61	1.65	40	6723	36.31	60	1.85	47	5818	31.42	59	2.10	53	5134	27.73	58	2.40	61	4434	23.95	57	2.80	69	3922	21.18	56	3.00	35	7838	42.33	34	0.90	40	6851	37.00	36	1.00	47	5792	31.28	34	1.10	51	5368	28.99	36	1.25	56	4871	26.31	36	1.40	65	4186	22.61	36	1.65	74	3655	19.74	36	1.85	88	3099	16.74	35	2.20	8.2	33302	179.86	171	1.45	8.9	30589	165.21	171	1.55	10	26771	144.59	171	1.75	11	24013	129.69	171	2.00	13	20848	112.60	171	2.22	14	18915	102.16	171	2.30	17	16293	88.00	171	2.50	13	20335	109.83	135	1.50	17	16268	87.86	135	1.85	19	14468	78.14	135	2.10	22	12605	68.08	135	2.40	24	11246	60.74	135	2.70	15	18556	100.22	88	0.90	16	16969	91.65	88	1.00	18	14766	79.75	88	1.15	21	13031	70.38	87	1.30	24	11298	61.02	86	1.50	27	10052	54.29	85	1.70	31	8663	46.79	83	1.95	39	7040	38.02	81	2.40	47	5795	31.30	78	3.00	21	13137	70.95	61	0.95	23	11591	62.60	61	1.05	27	10011	54.07	61	1.25	31	8854	47.82	61	1.40	37	7441	40.19	61	1.65	40	6723	36.31	60	1.85	47	5818	31.42	59	2.10	53	5134	27.73	58	2.40	61	4434	23.95	57	2.80	69	3922	21.18	56	3.00	35	7838	42.33	34	0.90	40	6851	37.00	36	1.00	47	5792	31.28	34	1.10	51	5368	28.99	36	1.25	56	4871	26.31	36	1.40	65	4186	22.61	36	1.65	74	3655	19.74	36	1.85	88	3099	16.74	35	2.20																																																																																																																																																																																																																																																																																																																																																																																																																													
40	6723	36.31	60	1.85	47	5818	31.42	59	2.10	53	5134	27.73	58	2.40	61	4434	23.95	57	2.80	69	3922	21.18	56	3.00	35	7838	42.33	34	0.90	40	6851	37.00	36	1.00	47	5792	31.28	34	1.10	51	5368	28.99	36	1.25	56	4871	26.31	36	1.40	65	4186	22.61	36	1.65	74	3655	19.74	36	1.85	88	3099	16.74	35	2.20	8.2	33302	179.86	171	1.45	8.9	30589	165.21	171	1.55	10	26771	144.59	171	1.75	11	24013	129.69	171	2.00	13	20848	112.60	171	2.22	14	18915	102.16	171	2.30	17	16293	88.00	171	2.50	13	20335	109.83	135	1.50	17	16268	87.86	135	1.85	19	14468	78.14	135	2.10	22	12605	68.08	135	2.40	24	11246	60.74	135	2.70	15	18556	100.22	88	0.90	16	16969	91.65	88	1.00	18	14766	79.75	88	1.15	21	13031	70.38	87	1.30	24	11298	61.02	86	1.50	27	10052	54.29	85	1.70	31	8663	46.79	83	1.95	39	7040	38.02	81	2.40	47	5795	31.30	78	3.00	21	13137	70.95	61	0.95	23	11591	62.60	61	1.05	27	10011	54.07	61	1.25	31	8854	47.82	61	1.40	37	7441	40.19	61	1.65	40	6723	36.31	60	1.85	47	5818	31.42	59	2.10	53	5134	27.73	58	2.40	61	4434	23.95	57	2.80	69	3922	21.18	56	3.00	35	7838	42.33	34	0.90	40	6851	37.00	36	1.00	47	5792	31.28	34	1.10	51	5368	28.99	36	1.25	56	4871	26.31	36	1.40	65	4186	22.61	36	1.65	74	3655	19.74	36	1.85	88	3099	16.74	35	2.20																																																																																																																																																																																																																																																																																																																																																																																																																																		
47	5818	31.42	59	2.10	53	5134	27.73	58	2.40	61	4434	23.95	57	2.80	69	3922	21.18	56	3.00	35	7838	42.33	34	0.90	40	6851	37.00	36	1.00	47	5792	31.28	34	1.10	51	5368	28.99	36	1.25	56	4871	26.31	36	1.40	65	4186	22.61	36	1.65	74	3655	19.74	36	1.85	88	3099	16.74	35	2.20	8.2	33302	179.86	171	1.45	8.9	30589	165.21	171	1.55	10	26771	144.59	171	1.75	11	24013	129.69	171	2.00	13	20848	112.60	171	2.22	14	18915	102.16	171	2.30	17	16293	88.00	171	2.50	13	20335	109.83	135	1.50	17	16268	87.86	135	1.85	19	14468	78.14	135	2.10	22	12605	68.08	135	2.40	24	11246	60.74	135	2.70	15	18556	100.22	88	0.90	16	16969	91.65	88	1.00	18	14766	79.75	88	1.15	21	13031	70.38	87	1.30	24	11298	61.02	86	1.50	27	10052	54.29	85	1.70	31	8663	46.79	83	1.95	39	7040	38.02	81	2.40	47	5795	31.30	78	3.00	21	13137	70.95	61	0.95	23	11591	62.60	61	1.05	27	10011	54.07	61	1.25	31	8854	47.82	61	1.40	37	7441	40.19	61	1.65	40	6723	36.31	60	1.85	47	5818	31.42	59	2.10	53	5134	27.73	58	2.40	61	4434	23.95	57	2.80	69	3922	21.18	56	3.00	35	7838	42.33	34	0.90	40	6851	37.00	36	1.00	47	5792	31.28	34	1.10	51	5368	28.99	36	1.25	56	4871	26.31	36	1.40	65	4186	22.61	36	1.65	74	3655	19.74	36	1.85	88	3099	16.74	35	2.20																																																																																																																																																																																																																																																																																																																																																																																																																																							
53	5134	27.73	58	2.40	61	4434	23.95	57	2.80	69	3922	21.18	56	3.00	35	7838	42.33	34	0.90	40	6851	37.00	36	1.00	47	5792	31.28	34	1.10	51	5368	28.99	36	1.25	56	4871	26.31	36	1.40	65	4186	22.61	36	1.65	74	3655	19.74	36	1.85	88	3099	16.74	35	2.20	8.2	33302	179.86	171	1.45	8.9	30589	165.21	171	1.55	10	26771	144.59	171	1.75	11	24013	129.69	171	2.00	13	20848	112.60	171	2.22	14	18915	102.16	171	2.30	17	16293	88.00	171	2.50	13	20335	109.83	135	1.50	17	16268	87.86	135	1.85	19	14468	78.14	135	2.10	22	12605	68.08	135	2.40	24	11246	60.74	135	2.70	15	18556	100.22	88	0.90	16	16969	91.65	88	1.00	18	14766	79.75	88	1.15	21	13031	70.38	87	1.30	24	11298	61.02	86	1.50	27	10052	54.29	85	1.70	31	8663	46.79	83	1.95	39	7040	38.02	81	2.40	47	5795	31.30	78	3.00	21	13137	70.95	61	0.95	23	11591	62.60	61	1.05	27	10011	54.07	61	1.25	31	8854	47.82	61	1.40	37	7441	40.19	61	1.65	40	6723	36.31	60	1.85	47	5818	31.42	59	2.10	53	5134	27.73	58	2.40	61	4434	23.95	57	2.80	69	3922	21.18	56	3.00	35	7838	42.33	34	0.90	40	6851	37.00	36	1.00	47	5792	31.28	34	1.10	51	5368	28.99	36	1.25	56	4871	26.31	36	1.40	65	4186	22.61	36	1.65	74	3655	19.74	36	1.85	88	3099	16.74	35	2.20																																																																																																																																																																																																																																																																																																																																																																																																																																												
61	4434	23.95	57	2.80	69	3922	21.18	56	3.00	35	7838	42.33	34	0.90	40	6851	37.00	36	1.00	47	5792	31.28	34	1.10	51	5368	28.99	36	1.25	56	4871	26.31	36	1.40	65	4186	22.61	36	1.65	74	3655	19.74	36	1.85	88	3099	16.74	35	2.20	8.2	33302	179.86	171	1.45	8.9	30589	165.21	171	1.55	10	26771	144.59	171	1.75	11	24013	129.69	171	2.00	13	20848	112.60	171	2.22	14	18915	102.16	171	2.30	17	16293	88.00	171	2.50	13	20335	109.83	135	1.50	17	16268	87.86	135	1.85	19	14468	78.14	135	2.10	22	12605	68.08	135	2.40	24	11246	60.74	135	2.70	15	18556	100.22	88	0.90	16	16969	91.65	88	1.00	18	14766	79.75	88	1.15	21	13031	70.38	87	1.30	24	11298	61.02	86	1.50	27	10052	54.29	85	1.70	31	8663	46.79	83	1.95	39	7040	38.02	81	2.40	47	5795	31.30	78	3.00	21	13137	70.95	61	0.95	23	11591	62.60	61	1.05	27	10011	54.07	61	1.25	31	8854	47.82	61	1.40	37	7441	40.19	61	1.65	40	6723	36.31	60	1.85	47	5818	31.42	59	2.10	53	5134	27.73	58	2.40	61	4434	23.95	57	2.80	69	3922	21.18	56	3.00	35	7838	42.33	34	0.90	40	6851	37.00	36	1.00	47	5792	31.28	34	1.10	51	5368	28.99	36	1.25	56	4871	26.31	36	1.40	65	4186	22.61	36	1.65	74	3655	19.74	36	1.85	88	3099	16.74	35	2.20																																																																																																																																																																																																																																																																																																																																																																																																																																																	
69	3922	21.18	56	3.00	35	7838	42.33	34	0.90	40	6851	37.00	36	1.00	47	5792	31.28	34	1.10	51	5368	28.99	36	1.25	56	4871	26.31	36	1.40	65	4186	22.61	36	1.65	74	3655	19.74	36	1.85	88	3099	16.74	35	2.20	8.2	33302	179.86	171	1.45	8.9	30589	165.21	171	1.55	10	26771	144.59	171	1.75	11	24013	129.69	171	2.00	13	20848	112.60	171	2.22	14	18915	102.16	171	2.30	17	16293	88.00	171	2.50	13	20335	109.83	135	1.50	17	16268	87.86	135	1.85	19	14468	78.14	135	2.10	22	12605	68.08	135	2.40	24	11246	60.74	135	2.70	15	18556	100.22	88	0.90	16	16969	91.65	88	1.00	18	14766	79.75	88	1.15	21	13031	70.38	87	1.30	24	11298	61.02	86	1.50	27	10052	54.29	85	1.70	31	8663	46.79	83	1.95	39	7040	38.02	81	2.40	47	5795	31.30	78	3.00	21	13137	70.95	61	0.95	23	11591	62.60	61	1.05	27	10011	54.07	61	1.25	31	8854	47.82	61	1.40	37	7441	40.19	61	1.65	40	6723	36.31	60	1.85	47	5818	31.42	59	2.10	53	5134	27.73	58	2.40	61	4434	23.95	57	2.80	69	3922	21.18	56	3.00	35	7838	42.33	34	0.90	40	6851	37.00	36	1.00	47	5792	31.28	34	1.10	51	5368	28.99	36	1.25	56	4871	26.31	36	1.40	65	4186	22.61	36	1.65	74	3655	19.74	36	1.85	88	3099	16.74	35	2.20																																																																																																																																																																																																																																																																																																																																																																																																																																																						
35	7838	42.33	34	0.90	40	6851	37.00	36	1.00	47	5792	31.28	34	1.10	51	5368	28.99	36	1.25	56	4871	26.31	36	1.40	65	4186	22.61	36	1.65	74	3655	19.74	36	1.85	88	3099	16.74	35	2.20	8.2	33302	179.86	171	1.45	8.9	30589	165.21	171	1.55	10	26771	144.59	171	1.75	11	24013	129.69	171	2.00	13	20848	112.60	171	2.22	14	18915	102.16	171	2.30	17	16293	88.00	171	2.50	13	20335	109.83	135	1.50	17	16268	87.86	135	1.85	19	14468	78.14	135	2.10	22	12605	68.08	135	2.40	24	11246	60.74	135	2.70	15	18556	100.22	88	0.90	16	16969	91.65	88	1.00	18	14766	79.75	88	1.15	21	13031	70.38	87	1.30	24	11298	61.02	86	1.50	27	10052	54.29	85	1.70	31	8663	46.79	83	1.95	39	7040	38.02	81	2.40	47	5795	31.30	78	3.00	21	13137	70.95	61	0.95	23	11591	62.60	61	1.05	27	10011	54.07	61	1.25	31	8854	47.82	61	1.40	37	7441	40.19	61	1.65	40	6723	36.31	60	1.85	47	5818	31.42	59	2.10	53	5134	27.73	58	2.40	61	4434	23.95	57	2.80	69	3922	21.18	56	3.00	35	7838	42.33	34	0.90	40	6851	37.00	36	1.00	47	5792	31.28	34	1.10	51	5368	28.99	36	1.25	56	4871	26.31	36	1.40	65	4186	22.61	36	1.65	74	3655	19.74	36	1.85	88	3099	16.74	35	2.20																																																																																																																																																																																																																																																																																																																																																																																																																																																											
40	6851	37.00	36	1.00	47	5792	31.28	34	1.10	51	5368	28.99	36	1.25	56	4871	26.31	36	1.40	65	4186	22.61	36	1.65	74	3655	19.74	36	1.85	88	3099	16.74	35	2.20	8.2	33302	179.86	171	1.45	8.9	30589	165.21	171	1.55	10	26771	144.59	171	1.75	11	24013	129.69	171	2.00	13	20848	112.60	171	2.22	14	18915	102.16	171	2.30	17	16293	88.00	171	2.50	13	20335	109.83	135	1.50	17	16268	87.86	135	1.85	19	14468	78.14	135	2.10	22	12605	68.08	135	2.40	24	11246	60.74	135	2.70	15	18556	100.22	88	0.90	16	16969	91.65	88	1.00	18	14766	79.75	88	1.15	21	13031	70.38	87	1.30	24	11298	61.02	86	1.50	27	10052	54.29	85	1.70	31	8663	46.79	83	1.95	39	7040	38.02	81	2.40	47	5795	31.30	78	3.00	21	13137	70.95	61	0.95	23	11591	62.60	61	1.05	27	10011	54.07	61	1.25	31	8854	47.82	61	1.40	37	7441	40.19	61	1.65	40	6723	36.31	60	1.85	47	5818	31.42	59	2.10	53	5134	27.73	58	2.40	61	4434	23.95	57	2.80	69	3922	21.18	56	3.00	35	7838	42.33	34	0.90	40	6851	37.00	36	1.00	47	5792	31.28	34	1.10	51	5368	28.99	36	1.25	56	4871	26.31	36	1.40	65	4186	22.61	36	1.65	74	3655	19.74	36	1.85	88	3099	16.74	35	2.20																																																																																																																																																																																																																																																																																																																																																																																																																																																																
47	5792	31.28	34	1.10	51	5368	28.99	36	1.25	56	4871	26.31	36	1.40	65	4186	22.61	36	1.65	74	3655	19.74	36	1.85	88	3099	16.74	35	2.20	8.2	33302	179.86	171	1.45	8.9	30589	165.21	171	1.55	10	26771	144.59	171	1.75	11	24013	129.69	171	2.00	13	20848	112.60	171	2.22	14	18915	102.16	171	2.30	17	16293	88.00	171	2.50	13	20335	109.83	135	1.50	17	16268	87.86	135	1.85	19	14468	78.14	135	2.10	22	12605	68.08	135	2.40	24	11246	60.74	135	2.70	15	18556	100.22	88	0.90	16	16969	91.65	88	1.00	18	14766	79.75	88	1.15	21	13031	70.38	87	1.30	24	11298	61.02	86	1.50	27	10052	54.29	85	1.70	31	8663	46.79	83	1.95	39	7040	38.02	81	2.40	47	5795	31.30	78	3.00	21	13137	70.95	61	0.95	23	11591	62.60	61	1.05	27	10011	54.07	61	1.25	31	8854	47.82	61	1.40	37	7441	40.19	61	1.65	40	6723	36.31	60	1.85	47	5818	31.42	59	2.10	53	5134	27.73	58	2.40	61	4434	23.95	57	2.80	69	3922	21.18	56	3.00	35	7838	42.33	34	0.90	40	6851	37.00	36	1.00	47	5792	31.28	34	1.10	51	5368	28.99	36	1.25	56	4871	26.31	36	1.40	65	4186	22.61	36	1.65	74	3655	19.74	36	1.85	88	3099	16.74	35	2.20																																																																																																																																																																																																																																																																																																																																																																																																																																																																					
51	5368	28.99	36	1.25	56	4871	26.31	36	1.40	65	4186	22.61	36	1.65	74	3655	19.74	36	1.85	88	3099	16.74	35	2.20	8.2	33302	179.86	171	1.45	8.9	30589	165.21	171	1.55	10	26771	144.59	171	1.75	11	24013	129.69	171	2.00	13	20848	112.60	171	2.22	14	18915	102.16	171	2.30	17	16293	88.00	171	2.50	13	20335	109.83	135	1.50	17	16268	87.86	135	1.85	19	14468	78.14	135	2.10	22	12605	68.08	135	2.40	24	11246	60.74	135	2.70	15	18556	100.22	88	0.90	16	16969	91.65	88	1.00	18	14766	79.75	88	1.15	21	13031	70.38	87	1.30	24	11298	61.02	86	1.50	27	10052	54.29	85	1.70	31	8663	46.79	83	1.95	39	7040	38.02	81	2.40	47	5795	31.30	78	3.00	21	13137	70.95	61	0.95	23	11591	62.60	61	1.05	27	10011	54.07	61	1.25	31	8854	47.82	61	1.40	37	7441	40.19	61	1.65	40	6723	36.31	60	1.85	47	5818	31.42	59	2.10	53	5134	27.73	58	2.40	61	4434	23.95	57	2.80	69	3922	21.18	56	3.00	35	7838	42.33	34	0.90	40	6851	37.00	36	1.00	47	5792	31.28	34	1.10	51	5368	28.99	36	1.25	56	4871	26.31	36	1.40	65	4186	22.61	36	1.65	74	3655	19.74	36	1.85	88	3099	16.74	35	2.20																																																																																																																																																																																																																																																																																																																																																																																																																																																																										
56	4871	26.31	36	1.40	65	4186	22.61	36	1.65	74	3655	19.74	36	1.85	88	3099	16.74	35	2.20	8.2	33302	179.86	171	1.45	8.9	30589	165.21	171	1.55	10	26771	144.59	171	1.75	11	24013	129.69	171	2.00	13	20848	112.60	171	2.22	14	18915	102.16	171	2.30	17	16293	88.00	171	2.50	13	20335	109.83	135	1.50	17	16268	87.86	135	1.85	19	14468	78.14	135	2.10	22	12605	68.08	135	2.40	24	11246	60.74	135	2.70	15	18556	100.22	88	0.90	16	16969	91.65	88	1.00	18	14766	79.75	88	1.15	21	13031	70.38	87	1.30	24	11298	61.02	86	1.50	27	10052	54.29	85	1.70	31	8663	46.79	83	1.95	39	7040	38.02	81	2.40	47	5795	31.30	78	3.00	21	13137	70.95	61	0.95	23	11591	62.60	61	1.05	27	10011	54.07	61	1.25	31	8854	47.82	61	1.40	37	7441	40.19	61	1.65	40	6723	36.31	60	1.85	47	5818	31.42	59	2.10	53	5134	27.73	58	2.40	61	4434	23.95	57	2.80	69	3922	21.18	56	3.00	35	7838	42.33	34	0.90	40	6851	37.00	36	1.00	47	5792	31.28	34	1.10	51	5368	28.99	36	1.25	56	4871	26.31	36	1.40	65	4186	22.61	36	1.65	74	3655	19.74	36	1.85	88	3099	16.74	35	2.20																																																																																																																																																																																																																																																																																																																																																																																																																																																																															
65	4186	22.61	36	1.65	74	3655	19.74	36	1.85	88	3099	16.74	35	2.20	8.2	33302	179.86	171	1.45	8.9	30589	165.21	171	1.55	10	26771	144.59	171	1.75	11	24013	129.69	171	2.00	13	20848	112.60	171	2.22	14	18915	102.16	171	2.30	17	16293	88.00	171	2.50	13	20335	109.83	135	1.50	17	16268	87.86	135	1.85	19	14468	78.14	135	2.10	22	12605	68.08	135	2.40	24	11246	60.74	135	2.70	15	18556	100.22	88	0.90	16	16969	91.65	88	1.00	18	14766	79.75	88	1.15	21	13031	70.38	87	1.30	24	11298	61.02	86	1.50	27	10052	54.29	85	1.70	31	8663	46.79	83	1.95	39	7040	38.02	81	2.40	47	5795	31.30	78	3.00	21	13137	70.95	61	0.95	23	11591	62.60	61	1.05	27	10011	54.07	61	1.25	31	8854	47.82	61	1.40	37	7441	40.19	61	1.65	40	6723	36.31	60	1.85	47	5818	31.42	59	2.10	53	5134	27.73	58	2.40	61	4434	23.95	57	2.80	69	3922	21.18	56	3.00	35	7838	42.33	34	0.90	40	6851	37.00	36	1.00	47	5792	31.28	34	1.10	51	5368	28.99	36	1.25	56	4871	26.31	36	1.40	65	4186	22.61	36	1.65	74	3655	19.74	36	1.85	88	3099	16.74	35	2.20																																																																																																																																																																																																																																																																																																																																																																																																																																																																																				
74	3655	19.74	36	1.85	88	3099	16.74	35	2.20	8.2	33302	179.86	171	1.45	8.9	30589	165.21	171	1.55	10	26771	144.59	171	1.75	11	24013	129.69	171	2.00	13	20848	112.60	171	2.22	14	18915	102.16	171	2.30	17	16293	88.00	171	2.50	13	20335	109.83	135	1.50	17	16268	87.86	135	1.85	19	14468	78.14	135	2.10	22	12605	68.08	135	2.40	24	11246	60.74	135	2.70	15	18556	100.22	88	0.90	16	16969	91.65	88	1.00	18	14766	79.75	88	1.15	21	13031	70.38	87	1.30	24	11298	61.02	86	1.50	27	10052	54.29	85	1.70	31	8663	46.79	83	1.95	39	7040	38.02	81	2.40	47	5795	31.30	78	3.00	21	13137	70.95	61	0.95	23	11591	62.60	61	1.05	27	10011	54.07	61	1.25	31	8854	47.82	61	1.40	37	7441	40.19	61	1.65	40	6723	36.31	60	1.85	47	5818	31.42	59	2.10	53	5134	27.73	58	2.40	61	4434	23.95	57	2.80	69	3922	21.18	56	3.00	35	7838	42.33	34	0.90	40	6851	37.00	36	1.00	47	5792	31.28	34	1.10	51	5368	28.99	36	1.25	56	4871	26.31	36	1.40	65	4186	22.61	36	1.65	74	3655	19.74	36	1.85	88	3099	16.74	35	2.20																																																																																																																																																																																																																																																																																																																																																																																																																																																																																									
88	3099	16.74	35	2.20	8.2	33302	179.86	171	1.45	8.9	30589	165.21	171	1.55	10	26771	144.59	171	1.75	11	24013	129.69	171	2.00	13	20848	112.60	171	2.22	14	18915	102.16	171	2.30	17	16293	88.00	171	2.50	13	20335	109.83	135	1.50	17	16268	87.86	135	1.85	19	14468	78.14	135	2.10	22	12605	68.08	135	2.40	24	11246	60.74	135	2.70	15	18556	100.22	88	0.90	16	16969	91.65	88	1.00	18	14766	79.75	88	1.15	21	13031	70.38	87	1.30	24	11298	61.02	86	1.50	27	10052	54.29	85	1.70	31	8663	46.79	83	1.95	39	7040	38.02	81	2.40	47	5795	31.30	78	3.00	21	13137	70.95	61	0.95	23	11591	62.60	61	1.05	27	10011	54.07	61	1.25	31	8854	47.82	61	1.40	37	7441	40.19	61	1.65	40	6723	36.31	60	1.85	47	5818	31.42	59	2.10	53	5134	27.73	58	2.40	61	4434	23.95	57	2.80	69	3922	21.18	56	3.00	35	7838	42.33	34	0.90	40	6851	37.00	36	1.00	47	5792	31.28	34	1.10	51	5368	28.99	36	1.25	56	4871	26.31	36	1.40	65	4186	22.61	36	1.65	74	3655	19.74	36	1.85	88	3099	16.74	35	2.20																																																																																																																																																																																																																																																																																																																																																																																																																																																																																														
8.2	33302	179.86	171	1.45	8.9	30589	165.21	171	1.55	10	26771	144.59	171	1.75	11	24013	129.69	171	2.00	13	20848	112.60	171	2.22	14	18915	102.16	171	2.30	17	16293	88.00	171	2.50	13	20335	109.83	135	1.50	17	16268	87.86	135	1.85	19	14468	78.14	135	2.10	22	12605	68.08	135	2.40	24	11246	60.74	135	2.70	15	18556	100.22	88	0.90	16	16969	91.65	88	1.00	18	14766	79.75	88	1.15	21	13031	70.38	87	1.30	24	11298	61.02	86	1.50	27	10052	54.29	85	1.70	31	8663	46.79	83	1.95	39	7040	38.02	81	2.40	47	5795	31.30	78	3.00	21	13137	70.95	61	0.95	23	11591	62.60	61	1.05	27	10011	54.07	61	1.25	31	8854	47.82	61	1.40	37	7441	40.19	61	1.65	40	6723	36.31	60	1.85	47	5818	31.42	59	2.10	53	5134	27.73	58	2.40	61	4434	23.95	57	2.80	69	3922	21.18	56	3.00	35	7838	42.33	34	0.90	40	6851	37.00	36	1.00	47	5792	31.28	34	1.10	51	5368	28.99	36	1.25	56	4871	26.31	36	1.40	65	4186	22.61	36	1.65	74	3655	19.74	36	1.85	88	3099	16.74	35	2.20																																																																																																																																																																																																																																																																																																																																																																																																																																																																																																			
8.9	30589	165.21	171	1.55	10	26771	144.59	171	1.75	11	24013	129.69	171	2.00	13	20848	112.60	171	2.22	14	18915	102.16	171	2.30	17	16293	88.00	171	2.50	13	20335	109.83	135	1.50	17	16268	87.86	135	1.85	19	14468	78.14	135	2.10	22	12605	68.08	135	2.40	24	11246	60.74	135	2.70	15	18556	100.22	88	0.90	16	16969	91.65	88	1.00	18	14766	79.75	88	1.15	21	13031	70.38	87	1.30	24	11298	61.02	86	1.50	27	10052	54.29	85	1.70	31	8663	46.79	83	1.95	39	7040	38.02	81	2.40	47	5795	31.30	78	3.00	21	13137	70.95	61	0.95	23	11591	62.60	61	1.05	27	10011	54.07	61	1.25	31	8854	47.82	61	1.40	37	7441	40.19	61	1.65	40	6723	36.31	60	1.85	47	5818	31.42	59	2.10	53	5134	27.73	58	2.40	61	4434	23.95	57	2.80	69	3922	21.18	56	3.00	35	7838	42.33	34	0.90	40	6851	37.00	36	1.00	47	5792	31.28	34	1.10	51	5368	28.99	36	1.25	56	4871	26.31	36	1.40	65	4186	22.61	36	1.65	74	3655	19.74	36	1.85	88	3099	16.74	35	2.20																																																																																																																																																																																																																																																																																																																																																																																																																																																																																																								
10	26771	144.59	171	1.75	11	24013	129.69	171	2.00	13	20848	112.60	171	2.22	14	18915	102.16	171	2.30	17	16293	88.00	171	2.50	13	20335	109.83	135	1.50	17	16268	87.86	135	1.85	19	14468	78.14	135	2.10	22	12605	68.08	135	2.40	24	11246	60.74	135	2.70	15	18556	100.22	88	0.90	16	16969	91.65	88	1.00	18	14766	79.75	88	1.15	21	13031	70.38	87	1.30	24	11298	61.02	86	1.50	27	10052	54.29	85	1.70	31	8663	46.79	83	1.95	39	7040	38.02	81	2.40	47	5795	31.30	78	3.00	21	13137	70.95	61	0.95	23	11591	62.60	61	1.05	27	10011	54.07	61	1.25	31	8854	47.82	61	1.40	37	7441	40.19	61	1.65	40	6723	36.31	60	1.85	47	5818	31.42	59	2.10	53	5134	27.73	58	2.40	61	4434	23.95	57	2.80	69	3922	21.18	56	3.00	35	7838	42.33	34	0.90	40	6851	37.00	36	1.00	47	5792	31.28	34	1.10	51	5368	28.99	36	1.25	56	4871	26.31	36	1.40	65	4186	22.61	36	1.65	74	3655	19.74	36	1.85	88	3099	16.74	35	2.20																																																																																																																																																																																																																																																																																																																																																																																																																																																																																																													
11	24013	129.69	171	2.00	13	20848	112.60	171	2.22	14	18915	102.16	171	2.30	17	16293	88.00	171	2.50	13	20335	109.83	135	1.50	17	16268	87.86	135	1.85	19	14468	78.14	135	2.10	22	12605	68.08	135	2.40	24	11246	60.74	135	2.70	15	18556	100.22	88	0.90	16	16969	91.65	88	1.00	18	14766	79.75	88	1.15	21	13031	70.38	87	1.30	24	11298	61.02	86	1.50	27	10052	54.29	85	1.70	31	8663	46.79	83	1.95	39	7040	38.02	81	2.40	47	5795	31.30	78	3.00	21	13137	70.95	61	0.95	23	11591	62.60	61	1.05	27	10011	54.07	61	1.25	31	8854	47.82	61	1.40	37	7441	40.19	61	1.65	40	6723	36.31	60	1.85	47	5818	31.42	59	2.10	53	5134	27.73	58	2.40	61	4434	23.95	57	2.80	69	3922	21.18	56	3.00	35	7838	42.33	34	0.90	40	6851	37.00	36	1.00	47	5792	31.28	34	1.10	51	5368	28.99	36	1.25	56	4871	26.31	36	1.40	65	4186	22.61	36	1.65	74	3655	19.74	36	1.85	88	3099	16.74	35	2.20																																																																																																																																																																																																																																																																																																																																																																																																																																																																																																																		
13	20848	112.60	171	2.22	14	18915	102.16	171	2.30	17	16293	88.00	171	2.50	13	20335	109.83	135	1.50	17	16268	87.86	135	1.85	19	14468	78.14	135	2.10	22	12605	68.08	135	2.40	24	11246	60.74	135	2.70	15	18556	100.22	88	0.90	16	16969	91.65	88	1.00	18	14766	79.75	88	1.15	21	13031	70.38	87	1.30	24	11298	61.02	86	1.50	27	10052	54.29	85	1.70	31	8663	46.79	83	1.95	39	7040	38.02	81	2.40	47	5795	31.30	78	3.00	21	13137	70.95	61	0.95	23	11591	62.60	61	1.05	27	10011	54.07	61	1.25	31	8854	47.82	61	1.40	37	7441	40.19	61	1.65	40	6723	36.31	60	1.85	47	5818	31.42	59	2.10	53	5134	27.73	58	2.40	61	4434	23.95	57	2.80	69	3922	21.18	56	3.00	35	7838	42.33	34	0.90	40	6851	37.00	36	1.00	47	5792	31.28	34	1.10	51	5368	28.99	36	1.25	56	4871	26.31	36	1.40	65	4186	22.61	36	1.65	74	3655	19.74	36	1.85	88	3099	16.74	35	2.20																																																																																																																																																																																																																																																																																																																																																																																																																																																																																																																							
14	18915	102.16	171	2.30	17	16293	88.00	171	2.50	13	20335	109.83	135	1.50	17	16268	87.86	135	1.85	19	14468	78.14	135	2.10	22	12605	68.08	135	2.40	24	11246	60.74	135	2.70	15	18556	100.22	88	0.90	16	16969	91.65	88	1.00	18	14766	79.75	88	1.15	21	13031	70.38	87	1.30	24	11298	61.02	86	1.50	27	10052	54.29	85	1.70	31	8663	46.79	83	1.95	39	7040	38.02	81	2.40	47	5795	31.30	78	3.00	21	13137	70.95	61	0.95	23	11591	62.60	61	1.05	27	10011	54.07	61	1.25	31	8854	47.82	61	1.40	37	7441	40.19	61	1.65	40	6723	36.31	60	1.85	47	5818	31.42	59	2.10	53	5134	27.73	58	2.40	61	4434	23.95	57	2.80	69	3922	21.18	56	3.00	35	7838	42.33	34	0.90	40	6851	37.00	36	1.00	47	5792	31.28	34	1.10	51	5368	28.99	36	1.25	56	4871	26.31	36	1.40	65	4186	22.61	36	1.65	74	3655	19.74	36	1.85	88	3099	16.74	35	2.20																																																																																																																																																																																																																																																																																																																																																																																																																																																																																																																												
17	16293	88.00	171	2.50	13	20335	109.83	135	1.50	17	16268	87.86	135	1.85	19	14468	78.14	135	2.10	22	12605	68.08	135	2.40	24	11246	60.74	135	2.70	15	18556	100.22	88	0.90	16	16969	91.65	88	1.00	18	14766	79.75	88	1.15	21	13031	70.38	87	1.30	24	11298	61.02	86	1.50	27	10052	54.29	85	1.70	31	8663	46.79	83	1.95	39	7040	38.02	81	2.40	47	5795	31.30	78	3.00	21	13137	70.95	61	0.95	23	11591	62.60	61	1.05	27	10011	54.07	61	1.25	31	8854	47.82	61	1.40	37	7441	40.19	61	1.65	40	6723	36.31	60	1.85	47	5818	31.42	59	2.10	53	5134	27.73	58	2.40	61	4434	23.95	57	2.80	69	3922	21.18	56	3.00	35	7838	42.33	34	0.90	40	6851	37.00	36	1.00	47	5792	31.28	34	1.10	51	5368	28.99	36	1.25	56	4871	26.31	36	1.40	65	4186	22.61	36	1.65	74	3655	19.74	36	1.85	88	3099	16.74	35	2.20																																																																																																																																																																																																																																																																																																																																																																																																																																																																																																																																	
13	20335	109.83	135	1.50	17	16268	87.86	135	1.85	19	14468	78.14	135	2.10	22	12605	68.08	135	2.40	24	11246	60.74	135	2.70	15	18556	100.22	88	0.90	16	16969	91.65	88	1.00	18	14766	79.75	88	1.15	21	13031	70.38	87	1.30	24	11298	61.02	86	1.50	27	10052	54.29	85	1.70	31	8663	46.79	83	1.95	39	7040	38.02	81	2.40	47	5795	31.30	78	3.00	21	13137	70.95	61	0.95	23	11591	62.60	61	1.05	27	10011	54.07	61	1.25	31	8854	47.82	61	1.40	37	7441	40.19	61	1.65	40	6723	36.31	60	1.85	47	5818	31.42	59	2.10	53	5134	27.73	58	2.40	61	4434	23.95	57	2.80	69	3922	21.18	56	3.00	35	7838	42.33	34	0.90	40	6851	37.00	36	1.00	47	5792	31.28	34	1.10	51	5368	28.99	36	1.25	56	4871	26.31	36	1.40	65	4186	22.61	36	1.65	74	3655	19.74	36	1.85	88	3099	16.74	35	2.20																																																																																																																																																																																																																																																																																																																																																																																																																																																																																																																																						
17	16268	87.86	135	1.85	19	14468	78.14	135	2.10	22	12605	68.08	135	2.40	24	11246	60.74	135	2.70	15	18556	100.22	88	0.90	16	16969	91.65	88	1.00	18	14766	79.75	88	1.15	21	13031	70.38	87	1.30	24	11298	61.02	86	1.50	27	10052	54.29	85	1.70	31	8663	46.79	83	1.95	39	7040	38.02	81	2.40	47	5795	31.30	78	3.00	21	13137	70.95	61	0.95	23	11591	62.60	61	1.05	27	10011	54.07	61	1.25	31	8854	47.82	61	1.40	37	7441	40.19	61	1.65	40	6723	36.31	60	1.85	47	5818	31.42	59	2.10	53	5134	27.73	58	2.40	61	4434	23.95	57	2.80	69	3922	21.18	56	3.00	35	7838	42.33	34	0.90	40	6851	37.00	36	1.00	47	5792	31.28	34	1.10	51	5368	28.99	36	1.25	56	4871	26.31	36	1.40	65	4186	22.61	36	1.65	74	3655	19.74	36	1.85	88	3099	16.74	35	2.20																																																																																																																																																																																																																																																																																																																																																																																																																																																																																																																																											
19	14468	78.14	135	2.10	22	12605	68.08	135	2.40	24	11246	60.74	135	2.70	15	18556	100.22	88	0.90	16	16969	91.65	88	1.00	18	14766	79.75	88	1.15	21	13031	70.38	87	1.30	24	11298	61.02	86	1.50	27	10052	54.29	85	1.70	31	8663	46.79	83	1.95	39	7040	38.02	81	2.40	47	5795	31.30	78	3.00	21	13137	70.95	61	0.95	23	11591	62.60	61	1.05	27	10011	54.07	61	1.25	31	8854	47.82	61	1.40	37	7441	40.19	61	1.65	40	6723	36.31	60	1.85	47	5818	31.42	59	2.10	53	5134	27.73	58	2.40	61	4434	23.95	57	2.80	69	3922	21.18	56	3.00	35	7838	42.33	34	0.90	40	6851	37.00	36	1.00	47	5792	31.28	34	1.10	51	5368	28.99	36	1.25	56	4871	26.31	36	1.40	65	4186	22.61	36	1.65	74	3655	19.74	36	1.85	88	3099	16.74	35	2.20																																																																																																																																																																																																																																																																																																																																																																																																																																																																																																																																																
22	12605	68.08	135	2.40	24	11246	60.74	135	2.70	15	18556	100.22	88	0.90	16	16969	91.65	88	1.00	18	14766	79.75	88	1.15	21	13031	70.38	87	1.30	24	11298	61.02	86	1.50	27	10052	54.29	85	1.70	31	8663	46.79	83	1.95	39	7040	38.02	81	2.40	47	5795	31.30	78	3.00	21	13137	70.95	61	0.95	23	11591	62.60	61	1.05	27	10011	54.07	61	1.25	31	8854	47.82	61	1.40	37	7441	40.19	61	1.65	40	6723	36.31	60	1.85	47	5818	31.42	59	2.10	53	5134	27.73	58	2.40	61	4434	23.95	57	2.80	69	3922	21.18	56	3.00	35	7838	42.33	34	0.90	40	6851	37.00	36	1.00	47	5792	31.28	34	1.10	51	5368	28.99	36	1.25	56	4871	26.31	36	1.40	65	4186	22.61	36	1.65	74	3655	19.74	36	1.85	88	3099	16.74	35	2.20																																																																																																																																																																																																																																																																																																																																																																																																																																																																																																																																																					
24	11246	60.74	135	2.70	15	18556	100.22	88	0.90	16	16969	91.65	88	1.00	18	14766	79.75	88	1.15	21	13031	70.38	87	1.30	24	11298	61.02	86	1.50	27	10052	54.29	85	1.70	31	8663	46.79	83	1.95	39	7040	38.02	81	2.40	47	5795	31.30	78	3.00	21	13137	70.95	61	0.95	23	11591	62.60	61	1.05	27	10011	54.07	61	1.25	31	8854	47.82	61	1.40	37	7441	40.19	61	1.65	40	6723	36.31	60	1.85	47	5818	31.42	59	2.10	53	5134	27.73	58	2.40	61	4434	23.95	57	2.80	69	3922	21.18	56	3.00	35	7838	42.33	34	0.90	40	6851	37.00	36	1.00	47	5792	31.28	34	1.10	51	5368	28.99	36	1.25	56	4871	26.31	36	1.40	65	4186	22.61	36	1.65	74	3655	19.74	36	1.85	88	3099	16.74	35	2.20																																																																																																																																																																																																																																																																																																																																																																																																																																																																																																																																																										
15	18556	100.22	88	0.90	16	16969	91.65	88	1.00	18	14766	79.75	88	1.15	21	13031	70.38	87	1.30	24	11298	61.02	86	1.50	27	10052	54.29	85	1.70	31	8663	46.79	83	1.95	39	7040	38.02	81	2.40	47	5795	31.30	78	3.00	21	13137	70.95	61	0.95	23	11591	62.60	61	1.05	27	10011	54.07	61	1.25	31	8854	47.82	61	1.40	37	7441	40.19	61	1.65	40	6723	36.31	60	1.85	47	5818	31.42	59	2.10	53	5134	27.73	58	2.40	61	4434	23.95	57	2.80	69	3922	21.18	56	3.00	35	7838	42.33	34	0.90	40	6851	37.00	36	1.00	47	5792	31.28	34	1.10	51	5368	28.99	36	1.25	56	4871	26.31	36	1.40	65	4186	22.61	36	1.65	74	3655	19.74	36	1.85	88	3099	16.74	35	2.20																																																																																																																																																																																																																																																																																																																																																																																																																																																																																																																																																															
16	16969	91.65	88	1.00	18	14766	79.75	88	1.15	21	13031	70.38	87	1.30	24	11298	61.02	86	1.50	27	10052	54.29	85	1.70	31	8663	46.79	83	1.95	39	7040	38.02	81	2.40	47	5795	31.30	78	3.00	21	13137	70.95	61	0.95	23	11591	62.60	61	1.05	27	10011	54.07	61	1.25	31	8854	47.82	61	1.40	37	7441	40.19	61	1.65	40	6723	36.31	60	1.85	47	5818	31.42	59	2.10	53	5134	27.73	58	2.40	61	4434	23.95	57	2.80	69	3922	21.18	56	3.00	35	7838	42.33	34	0.90	40	6851	37.00	36	1.00	47	5792	31.28	34	1.10	51	5368	28.99	36	1.25	56	4871	26.31	36	1.40	65	4186	22.61	36	1.65	74	3655	19.74	36	1.85	88	3099	16.74	35	2.20																																																																																																																																																																																																																																																																																																																																																																																																																																																																																																																																																																				
18	14766	79.75	88	1.15	21	13031	70.38	87	1.30	24	11298	61.02	86	1.50	27	10052	54.29	85	1.70	31	8663	46.79	83	1.95	39	7040	38.02	81	2.40	47	5795	31.30	78	3.00	21	13137	70.95	61	0.95	23	11591	62.60	61	1.05	27	10011	54.07	61	1.25	31	8854	47.82	61	1.40	37	7441	40.19	61	1.65	40	6723	36.31	60	1.85	47	5818	31.42	59	2.10	53	5134	27.73	58	2.40	61	4434	23.95	57	2.80	69	3922	21.18	56	3.00	35	7838	42.33	34	0.90	40	6851	37.00	36	1.00	47	5792	31.28	34	1.10	51	5368	28.99	36	1.25	56	4871	26.31	36	1.40	65	4186	22.61	36	1.65	74	3655	19.74	36	1.85	88	3099	16.74	35	2.20																																																																																																																																																																																																																																																																																																																																																																																																																																																																																																																																																																									
21	13031	70.38	87	1.30	24	11298	61.02	86	1.50	27	10052	54.29	85	1.70	31	8663	46.79	83	1.95	39	7040	38.02	81	2.40	47	5795	31.30	78	3.00	21	13137	70.95	61	0.95	23	11591	62.60	61	1.05	27	10011	54.07	61	1.25	31	8854	47.82	61	1.40	37	7441	40.19	61	1.65	40	6723	36.31	60	1.85	47	5818	31.42	59	2.10	53	5134	27.73	58	2.40	61	4434	23.95	57	2.80	69	3922	21.18	56	3.00	35	7838	42.33	34	0.90	40	6851	37.00	36	1.00	47	5792	31.28	34	1.10	51	5368	28.99	36	1.25	56	4871	26.31	36	1.40	65	4186	22.61	36	1.65	74	3655	19.74	36	1.85	88	3099	16.74	35	2.20																																																																																																																																																																																																																																																																																																																																																																																																																																																																																																																																																																														
24	11298	61.02	86	1.50	27	10052	54.29	85	1.70	31	8663	46.79	83	1.95	39	7040	38.02	81	2.40	47	5795	31.30	78	3.00	21	13137	70.95	61	0.95	23	11591	62.60	61	1.05	27	10011	54.07	61	1.25	31	8854	47.82	61	1.40	37	7441	40.19	61	1.65	40	6723	36.31	60	1.85	47	5818	31.42	59	2.10	53	5134	27.73	58	2.40	61	4434	23.95	57	2.80	69	3922	21.18	56	3.00	35	7838	42.33	34	0.90	40	6851	37.00	36	1.00	47	5792	31.28	34	1.10	51	5368	28.99	36	1.25	56	4871	26.31	36	1.40	65	4186	22.61	36	1.65	74	3655	19.74	36	1.85	88	3099	16.74	35	2.20																																																																																																																																																																																																																																																																																																																																																																																																																																																																																																																																																																																			
27	10052	54.29	85	1.70	31	8663	46.79	83	1.95	39	7040	38.02	81	2.40	47	5795	31.30	78	3.00	21	13137	70.95	61	0.95	23	11591	62.60	61	1.05	27	10011	54.07	61	1.25	31	8854	47.82	61	1.40	37	7441	40.19	61	1.65	40	6723	36.31	60	1.85	47	5818	31.42	59	2.10	53	5134	27.73	58	2.40	61	4434	23.95	57	2.80	69	3922	21.18	56	3.00	35	7838	42.33	34	0.90	40	6851	37.00	36	1.00	47	5792	31.28	34	1.10	51	5368	28.99	36	1.25	56	4871	26.31	36	1.40	65	4186	22.61	36	1.65	74	3655	19.74	36	1.85	88	3099	16.74	35	2.20																																																																																																																																																																																																																																																																																																																																																																																																																																																																																																																																																																																								
31	8663	46.79	83	1.95	39	7040	38.02	81	2.40	47	5795	31.30	78	3.00	21	13137	70.95	61	0.95	23	11591	62.60	61	1.05	27	10011	54.07	61	1.25	31	8854	47.82	61	1.40	37	7441	40.19	61	1.65	40	6723	36.31	60	1.85	47	5818	31.42	59	2.10	53	5134	27.73	58	2.40	61	4434	23.95	57	2.80	69	3922	21.18	56	3.00	35	7838	42.33	34	0.90	40	6851	37.00	36	1.00	47	5792	31.28	34	1.10	51	5368	28.99	36	1.25	56	4871	26.31	36	1.40	65	4186	22.61	36	1.65	74	3655	19.74	36	1.85	88	3099	16.74	35	2.20																																																																																																																																																																																																																																																																																																																																																																																																																																																																																																																																																																																													
39	7040	38.02	81	2.40	47	5795	31.30	78	3.00	21	13137	70.95	61	0.95	23	11591	62.60	61	1.05	27	10011	54.07	61	1.25	31	8854	47.82	61	1.40	37	7441	40.19	61	1.65	40	6723	36.31	60	1.85	47	5818	31.42	59	2.10	53	5134	27.73	58	2.40	61	4434	23.95	57	2.80	69	3922	21.18	56	3.00	35	7838	42.33	34	0.90	40	6851	37.00	36	1.00	47	5792	31.28	34	1.10	51	5368	28.99	36	1.25	56	4871	26.31	36	1.40	65	4186	22.61	36	1.65	74	3655	19.74	36	1.85	88	3099	16.74	35	2.20																																																																																																																																																																																																																																																																																																																																																																																																																																																																																																																																																																																																		
47	5795	31.30	78	3.00	21	13137	70.95	61	0.95	23	11591	62.60	61	1.05	27	10011	54.07	61	1.25	31	8854	47.82	61	1.40	37	7441	40.19	61	1.65	40	6723	36.31	60	1.85	47	5818	31.42	59	2.10	53	5134	27.73	58	2.40	61	4434	23.95	57	2.80	69	3922	21.18	56	3.00	35	7838	42.33	34	0.90	40	6851	37.00	36	1.00	47	5792	31.28	34	1.10	51	5368	28.99	36	1.25	56	4871	26.31	36	1.40	65	4186	22.61	36	1.65	74	3655	19.74	36	1.85	88	3099	16.74	35	2.20																																																																																																																																																																																																																																																																																																																																																																																																																																																																																																																																																																																																							
21	13137	70.95	61	0.95	23	11591	62.60	61	1.05	27	10011	54.07	61	1.25	31	8854	47.82	61	1.40	37	7441	40.19	61	1.65	40	6723	36.31	60	1.85	47	5818	31.42	59	2.10	53	5134	27.73	58	2.40	61	4434	23.95	57	2.80	69	3922	21.18	56	3.00	35	7838	42.33	34	0.90	40	6851	37.00	36	1.00	47	5792	31.28	34	1.10	51	5368	28.99	36	1.25	56	4871	26.31	36	1.40	65	4186	22.61	36	1.65	74	3655	19.74	36	1.85	88	3099	16.74	35	2.20																																																																																																																																																																																																																																																																																																																																																																																																																																																																																																																																																																																																												
23	11591	62.60	61	1.05	27	10011	54.07	61	1.25	31	8854	47.82	61	1.40	37	7441	40.19	61	1.65	40	6723	36.31	60	1.85	47	5818	31.42	59	2.10	53	5134	27.73	58	2.40	61	4434	23.95	57	2.80	69	3922	21.18	56	3.00	35	7838	42.33	34	0.90	40	6851	37.00	36	1.00	47	5792	31.28	34	1.10	51	5368	28.99	36	1.25	56	4871	26.31	36	1.40	65	4186	22.61	36	1.65	74	3655	19.74	36	1.85	88	3099	16.74	35	2.20																																																																																																																																																																																																																																																																																																																																																																																																																																																																																																																																																																																																																	
27	10011	54.07	61	1.25	31	8854	47.82	61	1.40	37	7441	40.19	61	1.65	40	6723	36.31	60	1.85	47	5818	31.42	59	2.10	53	5134	27.73	58	2.40	61	4434	23.95	57	2.80	69	3922	21.18	56	3.00	35	7838	42.33	34	0.90	40	6851	37.00	36	1.00	47	5792	31.28	34	1.10	51	5368	28.99	36	1.25	56	4871	26.31	36	1.40	65	4186	22.61	36	1.65	74	3655	19.74	36	1.85	88	3099	16.74	35	2.20																																																																																																																																																																																																																																																																																																																																																																																																																																																																																																																																																																																																																						
31	8854	47.82	61	1.40	37	7441	40.19	61	1.65	40	6723	36.31	60	1.85	47	5818	31.42	59	2.10	53	5134	27.73	58	2.40	61	4434	23.95	57	2.80	69	3922	21.18	56	3.00	35	7838	42.33	34	0.90	40	6851	37.00	36	1.00	47	5792	31.28	34	1.10	51	5368	28.99	36	1.25	56	4871	26.31	36	1.40	65	4186	22.61	36	1.65	74	3655	19.74	36	1.85	88	3099	16.74	35	2.20																																																																																																																																																																																																																																																																																																																																																																																																																																																																																																																																																																																																																											
37	7441	40.19	61	1.65	40	6723	36.31	60	1.85	47	5818	31.42	59	2.10	53	5134	27.73	58	2.40	61	4434	23.95	57	2.80	69	3922	21.18	56	3.00	35	7838	42.33	34	0.90	40	6851	37.00	36	1.00	47	5792	31.28	34	1.10	51	5368	28.99	36	1.25	56	4871	26.31	36	1.40	65	4186	22.61	36	1.65	74	3655	19.74	36	1.85	88	3099	16.74	35	2.20																																																																																																																																																																																																																																																																																																																																																																																																																																																																																																																																																																																																																																
40	6723	36.31	60	1.85	47	5818	31.42	59	2.10	53	5134	27.73	58	2.40	61	4434	23.95	57	2.80	69	3922	21.18	56	3.00	35	7838	42.33	34	0.90	40	6851	37.00	36	1.00	47	5792	31.28	34	1.10	51	5368	28.99	36	1.25	56	4871	26.31	36	1.40	65	4186	22.61	36	1.65	74	3655	19.74	36	1.85	88	3099	16.74	35	2.20																																																																																																																																																																																																																																																																																																																																																																																																																																																																																																																																																																																																																																					
47	5818	31.42	59	2.10	53	5134	27.73	58	2.40	61	4434	23.95	57	2.80	69	3922	21.18	56	3.00	35	7838	42.33	34	0.90	40	6851	37.00	36	1.00	47	5792	31.28	34	1.10	51	5368	28.99	36	1.25	56	4871	26.31	36	1.40	65	4186	22.61	36	1.65	74	3655	19.74	36	1.85	88	3099	16.74	35	2.20																																																																																																																																																																																																																																																																																																																																																																																																																																																																																																																																																																																																																																										
53	5134	27.73	58	2.40	61	4434	23.95	57	2.80	69	3922	21.18	56	3.00	35	7838	42.33	34	0.90	40	6851	37.00	36	1.00	47	5792	31.28	34	1.10	51	5368	28.99	36	1.25	56	4871	26.31	36	1.40	65	4186	22.61	36	1.65	74	3655	19.74	36	1.85	88	3099	16.74	35	2.20																																																																																																																																																																																																																																																																																																																																																																																																																																																																																																																																																																																																																																															
61	4434	23.95	57	2.80	69	3922	21.18	56	3.00	35	7838	42.33	34	0.90	40	6851	37.00	36	1.00	47	5792	31.28	34	1.10	51	5368	28.99	36	1.25	56	4871	26.31	36	1.40	65	4186	22.61	36	1.65	74	3655	19.74	36	1.85	88	3099	16.74	35	2.20																																																																																																																																																																																																																																																																																																																																																																																																																																																																																																																																																																																																																																																				
69	3922	21.18	56	3.00	35	7838	42.33	34	0.90	40	6851	37.00	36	1.00	47	5792	31.28	34	1.10	51	5368	28.99	36	1.25	56	4871	26.31	36	1.40	65	4186	22.61	36	1.65	74	3655	19.74	36	1.85	88	3099	16.74	35	2.20																																																																																																																																																																																																																																																																																																																																																																																																																																																																																																																																																																																																																																																									
35	7838	42.33	34	0.90	40	6851	37.00	36	1.00	47	5792	31.28	34	1.10	51	5368	28.99	36	1.25	56	4871	26.31	36	1.40	65	4186	22.61	36	1.65	74	3655	19.74	36	1.85	88	3099	16.74	35	2.20																																																																																																																																																																																																																																																																																																																																																																																																																																																																																																																																																																																																																																																														
40	6851	37.00	36	1.00	47	5792	31.28	34	1.10	51	5368	28.99	36	1.25	56	4871	26.31	36	1.40	65	4186	22.61	36	1.65	74	3655	19.74	36	1.85	88	3099	16.74	35	2.20																																																																																																																																																																																																																																																																																																																																																																																																																																																																																																																																																																																																																																																																			
47	5792	31.28	34	1.10	51	5368	28.99	36	1.25	56	4871	26.31	36	1.40	65	4186	22.61	36	1.65	74	3655	19.74	36	1.85	88	3099	16.74	35	2.20																																																																																																																																																																																																																																																																																																																																																																																																																																																																																																																																																																																																																																																																								
51	5368	28.99	36	1.25	56	4871	26.31	36	1.40	65	4186	22.61	36	1.65	74	3655	19.74	36	1.85	88	3099	16.74	35	2.20																																																																																																																																																																																																																																																																																																																																																																																																																																																																																																																																																																																																																																																																													
56	4871	26.31	36	1.40	65	4186	22.61	36	1.65	74	3655	19.74	36	1.85	88	3099	16.74	35	2.20																																																																																																																																																																																																																																																																																																																																																																																																																																																																																																																																																																																																																																																																																		
65	4186	22.61	36	1.65	74	3655	19.74	36	1.85	88	3099	16.74	35	2.20																																																																																																																																																																																																																																																																																																																																																																																																																																																																																																																																																																																																																																																																																							
74	3655	19.74	36	1.85	88	3099	16.74	35	2.20																																																																																																																																																																																																																																																																																																																																																																																																																																																																																																																																																																																																																																																																																												
88	3099	16.74	35	2.20																																																																																																																																																																																																																																																																																																																																																																																																																																																																																																																																																																																																																																																																																																	

GK 系列斜齿轮-锥齿轮减速电机

选型参数表

(恒功率) 37kW-75kW

Selection Table

(Constant Power) 37kW-75kW

n _a [r/min]	M _a [Nm]	i	F _{Ra} [kN]	f _B	机型号 Type size	极数 Pole	n _a [r/min]	M _a [Nm]	i	F _{Ra} [kN]	f _B	机型号 Type size	极数 Pole
37kW							45kW						
40	8392	37.00	28	0.80			51	7997	28.99	24	0.85	GK109	
47	7095	31.28	30	0.90			56	7258	26.31	27	0.95	GKF109	4P
51	6575	28.99	32	1.05			65	6237	22.61	29	1.10	GKA109	
56	5967	26.31	33	1.15			75	5445	19.74	30	1.25	GKAF109	
65	5128	22.61	33	1.30	GK109	4P	88	4618	16.74	30	1.45		
75	4477	19.74	33	1.50	GKF109		101	4036	14.63	30	1.60	GK109	4P
88	3797	16.74	33	1.75	GKA109		110	3705	13.43	28	1.10	GKF109	
101	3318	14.63	32	1.95	GKAF109		126	3233	11.72	28	1.25	GKA109	
110	3046	13.43	31	1.35			149	2742	9.94	28	1.45	GKAF109	
126	2658	11.72	30	1.55			170	2397	8.69	28	1.60		
149	2255	9.94	30	1.75									
170	1971	8.69	29	1.95									
45kW							55kW						
6.7	57915	221	155	0.85	GK189R109	4P	10	48749	144.59	169	0.95		
7.7	50578	193	167	0.95	GKA189R109		11	43725	129.69	171	1.10		
9	42716	163	171	1.15			13	37964	112.60	171	1.15	GK189	4P
11	35378	135	135	0.85	GK169R109	14	34444	102.16	170	1.25	GKA189		
13	30923	118	135	1.00	GKA169R109	17	29670	88.00	168	1.35			
8	47134	179.86	167	0.95		20	24936	73.96	166	1.60			
9	43295	165.21	171	1.05		23	21591	64.04	162	1.90			
10	37891	144.59	171	1.20		17	29622	87.86	131	1.00			
11	33987	129.69	171	1.30	GK189	19	26345	78.14	130	1.15			
13	29508	112.60	171	1.45	GKA189	22	22953	68.08	129	1.30	GK169	4P	
14	26772	102.16	171	1.50		24	20479	60.74	128	1.50	GKA169		
17	23061	88.00	171	1.65		29	17454	51.77	125	1.75			
20	19382	73.96	171	1.95		34	14464	42.90	121	2.10			
13	28782	109.83	135	1.00		40	12343	36.61	119	2.50			
17	23025	87.86	135	1.25		24	20573	61.02	66	0.85			
19	20477	78.14	135	1.40	GK169	27	18304	54.29	67	0.95			
22	17841	68.08	135	1.60	GKA169	32	15775	46.79	68	1.10			
24	15918	60.74	134	1.80		39	12819	38.02	68	1.35	GK159	4P	
29	13567	51.77	130	2.10		47	10553	31.30	67	1.60	GKF159		
34	11242	42.90	127	2.60		54	9312	27.62	67	1.85	GKA159		
21	19415	70.38	73	0.85		62	8075	23.95	66	2.10	GKAF159		
24	16833	61.02	74	1.00		69	7185	21.31	65	2.40			
27	14976	54.29	74	1.15		81	6194	18.37	64	2.80			
32	12907	46.79	74	1.30	GK159	99	5030	14.92	62	3.40			
39	10488	38.02	73	1.60	GKF159	117	4268	12.66	60	3.80			
47	8634	31.30	72	1.95	GKA159	37	13550	40.19	45	0.90	GK129	4P	
54	7619	27.62	71	2.20	GKAF159	47	10593	31.42	47	1.15	GKF129		
62	6607	23.95	69	2.60		53	9349	27.73	47	1.30	GKA129		
69	5878	21.31	68	2.90		62	8075	23.95	47	1.55			
81	5067	18.37	66	3.30		70	7141	21.18	47	1.75	GK129	4P	
31	13191	47.82	50	0.95	GK129	83	6001	17.80	47	2.00	GKF129		
37	11087	40.19	51	1.10	GKF129	103	4848	14.38	46	2.40	GKA129		
41	10016	36.31	51	1.25	GKA129	116	4319	12.81	44	1.85	GKAF129		
					GKAF129	138	3628	10.76	43	2.10			
47	8667	31.42	52	1.40		170	2930	8.69	41	2.30			
53	7649	27.73	51	1.60									
62	6607	23.95	51	1.85									
70	5843	21.18	51	2.10	GK129								
83	4910	17.80	50	2.50	GKF129								
103	3967	14.38	48	2.90	GKA129								
116	3534	12.81	46	2.30	GKAF129								
138	2968	10.76	45	2.50									
170	2397	8.69	43	2.80									
75kW							75kW						
							11	59626	129.69	148	0.80		
							13	51768	112.60	149	0.90		
							14	46969	102.16	150	1.00		
							17	40458	88.00	150	1.15	GK189	4P
							20	34003	73.96	149	1.40	GKA189	
							23	29443	64.04	147	1.60		
							28	24533	53.36	144	1.95		
							33	20919	45.50	141	2.30		

选型参数表
(恒功率) 75kW-132kW
Selection Table
(Constant Power) 75kW-132kW

n_a [r/min]	M_a [Nm]	i	F_{Ra} [kN]	f_B	机型号 Type size	极数 Pole	n_a [r/min]	M_a [Nm]	i	F_{Ra} [kN]	f_B	机型号 Type size	极数 Pole																																																																																																																																																																																																																																																																																																																																																																																																																																																																																																																								
75kW							90kW																																																																																																																																																																																																																																																																																																																																																																																																																																																																																																																														
19	35925	78.14	113	0.85	GK169 GKA169	4P	62	13125	23.95	35	0.95	GK129 GKF129 GKA129 GKAF129	4P																																																																																																																																																																																																																																																																																																																																																																																																																																																																																																																								
22	31300	68.08	114	0.95			24	27926	60.74	115	1.10			29	23802	51.77	114	1.30	34	19723	42.90	113	1.55	40	16832	36.61	111	1.80	46	14781	32.15	109	2.10	52	13186	28.68	107	2.30	61	11241	24.45	105	2.70	39	17480	38.02	58	1.00	110kW							110kW							47	14390	31.30	59	1.20	GK159 GKF159 GKA159 GKAF159	4P	17	58941	88.00	122	0.80	GK189 GKA189	4P	54	12698	27.62	59	1.35	62	11011	23.95	59	1.55	69	9797	21.31	59	1.75	81	8446	18.37	59	2.00	99	6860	14.92	57	2.50	117	5820	12.66	56	2.80	47	14446	31.42	37	0.85	53	12749	27.73	39	0.95	62	11011	23.95	40	1.10	GK129 GKF129 GKA129 GKAF129	4P	70	9738	21.18	41	1.25	83	8184	17.80	41	1.50	103	6611	14.38	42	1.75	116	5889	12.81	39	1.40	138	4947	10.76	39	1.55	170	3995	8.69	38	1.70	29	34675	51.77	95	0.85	90kW							110kW							15	55984	102.16	136	0.85	GK189 GKA189	4P	35	28734	42.90	97	1.05	GK169 GKA169	4P	17	48224	88.00	138	1.00	20	40530	73.96	139	1.15	23	35094	64.04	138	1.35	28	29241	53.36	137	1.60	33	24934	45.50	134	1.90	35	23296	42.51	134	2.00	39	21136	38.57	134	2.20	62	16041	23.95	48	1.05	132kW							132kW							22	37308	68.08	104	0.80	GK169 GKA169	4P	70	14273	21.31	49	1.10	GK159 GKF159 GKA159 GKAF159	4P	25	33286	60.74	105	0.90	29	28370	51.77	106	1.05	35	23509	42.90	106	1.30	41	20062	36.61	105	1.50	46	17618	32.15	104	1.70	52	15717	28.68	103	1.90	61	13399	24.45	101	2.30	74	11103	20.26	98	2.70	86	9475	17.29	95	3.20	20	59444	73.96	111	0.80	GK189 GKA189	4P	23	51471	64.04	114	0.90	28	42887	53.36	117	1.10	33	36570	45.50	118	1.30	35	34167	42.51	118	1.40	39	31000	38.57	118	1.55	45	26708	33.23	117	1.75	53	22440	27.92	115	2.10	62	19434	24.18	113	2.30	74	16195	20.15	110	2.60	87	13808	17.18	108	2.80	39	20835	38.02	50	0.80	GK159 GKF159 GKA159 GKAF159	4P	48	17153	31.30	53	1.00	54	15136	27.62	54	1.10	62	13125	23.95	55	1.30	70	11678	21.31	55	1.45	81	10067	18.37	55	1.70	100	8176	14.92	55	2.10	118	6938	12.66	54	2.30	35	34480	42.90	87	0.90	41	29425	36.61	89	1.05	46	25840	32.15	90	1.15	52	23051	28.68	90	1.30	61	19651	24.45	90	1.55	74	16284	20.26	89	1.85	86	13897	17.29	88	2.20																																																																																				
24	27926	60.74	115	1.10			29	23802	51.77	114	1.30			34	19723	42.90	113	1.55	40	16832	36.61	111	1.80	46	14781	32.15	109	2.10	52	13186	28.68	107	2.30	61	11241	24.45	105	2.70	39	17480	38.02	58	1.00	110kW							110kW							47	14390	31.30	59	1.20	GK159 GKF159 GKA159 GKAF159	4P	17	58941	88.00			122	0.80	GK189 GKA189	4P	54			12698	27.62	59	1.35	62	11011	23.95	59	1.55	69	9797	21.31	59	1.75	81	8446	18.37	59	2.00	99	6860	14.92	57	2.50	117	5820	12.66	56	2.80	47	14446	31.42	37	0.85	53	12749	27.73	39	0.95	62	11011	23.95	40	1.10	GK129 GKF129 GKA129 GKAF129			4P	70	9738	21.18	41	1.25	83	8184	17.80	41	1.50	103	6611	14.38	42	1.75	116	5889	12.81	39	1.40	138	4947	10.76	39	1.55	170	3995	8.69	38	1.70	29	34675	51.77	95	0.85	90kW							110kW							15	55984	102.16	136			0.85	GK189 GKA189	4P	35	28734			42.90	97	1.05	GK169 GKA169	4P	17	48224	88.00	138	1.00	20	40530	73.96	139	1.15	23	35094	64.04	138	1.35	28	29241	53.36	137	1.60	33	24934	45.50	134	1.90	35	23296	42.51	134	2.00	39	21136	38.57	134	2.20	62	16041	23.95	48	1.05	132kW							132kW									22	37308	68.08	104	0.80			GK169 GKA169	4P	70	14273	21.31	49	1.10	GK159 GKF159 GKA159 GKAF159	4P	25	33286	60.74	105	0.90	29	28370	51.77	106	1.05	35	23509	42.90	106	1.30	41	20062	36.61	105	1.50	46	17618	32.15	104	1.70	52	15717	28.68	103	1.90	61	13399	24.45	101	2.30	74	11103	20.26	98	2.70	86			9475	17.29	95	3.20	20	59444	73.96	111	0.80	GK189 GKA189	4P	23	51471	64.04	114	0.90	28	42887	53.36	117	1.10	33	36570	45.50	118	1.30	35	34167	42.51	118	1.40	39	31000	38.57	118	1.55	45	26708	33.23	117	1.75	53	22440	27.92	115	2.10	62	19434	24.18	113	2.30	74	16195	20.15	110			2.60	87	13808	17.18	108	2.80	39	20835	38.02	50	0.80	GK159 GKF159 GKA159 GKAF159	4P	48	17153	31.30	53	1.00	54	15136	27.62	54	1.10	62	13125	23.95	55	1.30	70	11678	21.31	55	1.45	81	10067	18.37	55	1.70	100	8176	14.92	55	2.10	118	6938	12.66	54	2.30	35	34480	42.90	87	0.90	41	29425	36.61	89	1.05	46	25840	32.15	90	1.15	52	23051	28.68	90	1.30	61	19651	24.45	90	1.55	74	16284	20.26	89	1.85	86	13897	17.29	88	2.20																																																																							
29	23802	51.77	114	1.30			34	19723	42.90	113	1.55			40	16832	36.61	111	1.80	46	14781	32.15	109	2.10	52	13186	28.68	107	2.30	61	11241	24.45	105	2.70	39	17480	38.02	58	1.00	110kW							110kW							47	14390	31.30	59	1.20	GK159 GKF159 GKA159 GKAF159	4P	17	58941	88.00			122	0.80	GK189 GKA189			4P	54			12698			27.62	59	1.35	62	11011	23.95	59	1.55	69	9797	21.31	59	1.75	81	8446	18.37	59	2.00	99	6860	14.92	57	2.50	117	5820	12.66	56	2.80	47	14446	31.42	37	0.85	53	12749	27.73	39	0.95	62	11011	23.95	40	1.10	GK129 GKF129 GKA129 GKAF129					4P	70	9738	21.18	41	1.25	83	8184	17.80	41	1.50	103	6611	14.38	42	1.75	116	5889	12.81	39	1.40	138	4947	10.76	39	1.55	170	3995	8.69	38	1.70	29	34675	51.77	95	0.85	90kW							110kW							15	55984	102.16			136			0.85	GK189 GKA189			4P	35	28734			42.90	97	1.05	GK169 GKA169	4P	17	48224	88.00	138	1.00	20	40530	73.96	139	1.15	23	35094	64.04	138	1.35	28	29241	53.36	137	1.60	33	24934	45.50	134	1.90	35	23296	42.51	134	2.00	39	21136	38.57	134	2.20	62	16041	23.95	48	1.05	132kW							132kW							22	37308					68.08	104	0.80	GK169 GKA169	4P			70	14273	21.31	49	1.10	GK159 GKF159 GKA159 GKAF159	4P	25	33286	60.74	105	0.90	29	28370	51.77	106	1.05	35	23509	42.90	106	1.30	41	20062	36.61	105	1.50	46	17618	32.15	104	1.70	52	15717	28.68	103	1.90	61	13399	24.45	101			2.30	74	11103	20.26	98	2.70	86	9475	17.29			95	3.20	20	59444	73.96	111	0.80	GK189 GKA189	4P	23	51471	64.04	114	0.90	28	42887	53.36	117	1.10	33	36570	45.50	118	1.30	35	34167	42.51	118	1.40	39	31000	38.57	118	1.55	45	26708	33.23	117	1.75	53	22440	27.92	115	2.10			62	19434	24.18	113	2.30	74	16195	20.15	110	2.60	87			13808	17.18	108	2.80	39	20835	38.02	50	0.80	GK159 GKF159 GKA159 GKAF159	4P	48	17153	31.30	53	1.00	54	15136	27.62	54	1.10	62	13125	23.95	55	1.30	70	11678	21.31	55	1.45	81	10067	18.37	55	1.70	100	8176	14.92	55	2.10	118	6938	12.66	54	2.30	35	34480	42.90	87	0.90	41	29425	36.61	89	1.05	46	25840	32.15	90	1.15	52	23051	28.68	90	1.30	61	19651	24.45	90	1.55	74	16284	20.26	89	1.85	86	13897	17.29	88	2.20																																																												
34	19723	42.90	113	1.55			40	16832	36.61	111	1.80			46	14781	32.15	109	2.10	52	13186	28.68	107	2.30	61	11241	24.45	105	2.70	39	17480	38.02	58	1.00	110kW							110kW							47	14390	31.30	59	1.20	GK159 GKF159 GKA159 GKAF159	4P	17	58941	88.00			122	0.80	GK189 GKA189			4P	54					12698			27.62			59	1.35	62	11011	23.95	59	1.55	69	9797	21.31	59	1.75	81	8446	18.37	59	2.00	99	6860	14.92	57	2.50	117	5820	12.66	56	2.80	47	14446	31.42	37	0.85	53	12749	27.73	39	0.95	62	11011	23.95	40	1.10	GK129 GKF129 GKA129 GKAF129							4P	70	9738	21.18	41	1.25	83	8184	17.80	41	1.50	103	6611	14.38	42	1.75	116	5889	12.81	39	1.40	138	4947	10.76	39	1.55	170	3995	8.69	38	1.70	29	34675	51.77	95	0.85	90kW							110kW							15	55984			102.16			136					0.85	GK189 GKA189			4P	35	28734			42.90	97	1.05	GK169 GKA169	4P	17	48224	88.00	138	1.00	20	40530	73.96	139	1.15	23	35094	64.04	138	1.35	28	29241	53.36	137	1.60	33	24934	45.50	134	1.90	35	23296	42.51	134	2.00	39	21136	38.57	134	2.20	62	16041	23.95	48	1.05	132kW							132kW								22	37308	68.08					104	0.80	GK169 GKA169	4P	70			14273	21.31	49	1.10	GK159 GKF159 GKA159 GKAF159	4P	25	33286	60.74	105	0.90	29	28370	51.77	106	1.05	35	23509	42.90	106	1.30	41	20062	36.61	105	1.50	46	17618	32.15	104	1.70	52	15717	28.68			103	1.90	61	13399	24.45	101	2.30	74	11103			20.26	98	2.70	86	9475	17.29	95			3.20	20	59444	73.96	111	0.80	GK189 GKA189	4P	23	51471	64.04	114	0.90	28	42887	53.36	117	1.10	33	36570	45.50	118	1.30	35	34167	42.51	118	1.40	39	31000	38.57	118	1.55	45	26708			33.23	117	1.75	53	22440	27.92	115	2.10	62	19434	24.18			113	2.30	74	16195	20.15	110	2.60	87	13808			17.18	108	2.80	39	20835	38.02	50	0.80	GK159 GKF159 GKA159 GKAF159	4P	48	17153	31.30	53	1.00	54	15136	27.62	54	1.10	62	13125	23.95	55	1.30	70	11678	21.31	55	1.45	81	10067	18.37	55	1.70	100	8176	14.92	55	2.10	118	6938	12.66	54	2.30	35	34480	42.90	87	0.90	41	29425	36.61	89	1.05	46	25840	32.15	90	1.15	52	23051	28.68	90	1.30	61	19651	24.45	90	1.55	74	16284	20.26	89	1.85	86	13897	17.29	88	2.20																																																		
40	16832	36.61	111	1.80			46	14781	32.15	109	2.10			52	13186	28.68	107	2.30	61	11241	24.45	105	2.70	39	17480	38.02	58	1.00	110kW							110kW							47	14390	31.30	59	1.20	GK159 GKF159 GKA159 GKAF159	4P	17	58941	88.00			122	0.80	GK189 GKA189			4P	54					12698					27.62			59			1.35	62	11011	23.95	59	1.55	69	9797	21.31	59	1.75	81	8446	18.37	59	2.00	99	6860	14.92	57	2.50	117	5820	12.66	56	2.80	47	14446	31.42	37	0.85	53	12749	27.73	39	0.95	62	11011	23.95	40	1.10	GK129 GKF129 GKA129 GKAF129									4P	70	9738	21.18	41	1.25	83	8184	17.80	41	1.50	103	6611	14.38	42	1.75	116	5889	12.81	39	1.40	138	4947	10.76	39	1.55	170	3995	8.69	38	1.70	29	34675	51.77	95	0.85	90kW							110kW							15			55984			102.16					136					0.85	GK189 GKA189			4P	35	28734			42.90	97	1.05	GK169 GKA169	4P	17	48224	88.00	138	1.00	20	40530	73.96	139	1.15	23	35094	64.04	138	1.35	28	29241	53.36	137	1.60	33	24934	45.50	134	1.90	35	23296	42.51	134	2.00	39	21136	38.57	134	2.20	62	16041	23.95	48			1.05	132kW								132kW							22	37308			68.08			104	0.80	GK169 GKA169	4P			70	14273	21.31	49	1.10	GK159 GKF159 GKA159 GKAF159	4P	25	33286	60.74	105	0.90	29	28370	51.77	106	1.05	35	23509	42.90	106	1.30	41	20062	36.61	105	1.50	46			17618	32.15	104	1.70	52	15717	28.68	103	1.90			61	13399	24.45	101	2.30	74	11103			20.26	98	2.70	86	9475	17.29			95	3.20	20	59444	73.96	111	0.80	GK189 GKA189	4P	23	51471	64.04	114	0.90	28	42887	53.36	117	1.10	33	36570	45.50	118	1.30	35	34167	42.51			118	1.40	39	31000	38.57	118	1.55	45	26708	33.23	117			1.75	53	22440	27.92	115	2.10	62	19434	24.18			113	2.30	74	16195	20.15	110	2.60	87			13808	17.18	108	2.80	39	20835	38.02	50	0.80	GK159 GKF159 GKA159 GKAF159	4P	48	17153	31.30	53	1.00	54	15136	27.62	54	1.10	62	13125	23.95	55	1.30	70	11678	21.31	55	1.45	81	10067	18.37	55	1.70	100	8176	14.92	55	2.10	118	6938	12.66	54	2.30	35	34480	42.90	87	0.90	41	29425	36.61	89	1.05	46	25840	32.15	90	1.15	52	23051	28.68	90	1.30	61	19651	24.45	90	1.55	74	16284	20.26	89	1.85	86	13897	17.29	88	2.20																																							
46	14781	32.15	109	2.10			52	13186	28.68	107	2.30			61	11241	24.45	105	2.70	39	17480	38.02	58	1.00	110kW							110kW							47	14390	31.30	59	1.20	GK159 GKF159 GKA159 GKAF159	4P	17	58941	88.00			122	0.80	GK189 GKA189			4P	54					12698					27.62					59			1.35			62	11011	23.95	59	1.55	69	9797	21.31	59	1.75	81	8446	18.37	59	2.00	99	6860	14.92	57	2.50	117	5820	12.66	56	2.80	47	14446	31.42	37	0.85	53	12749	27.73	39	0.95	62	11011	23.95	40	1.10	GK129 GKF129 GKA129 GKAF129											4P	70	9738	21.18	41	1.25	83	8184	17.80	41	1.50	103	6611	14.38	42	1.75	116	5889	12.81	39	1.40	138	4947	10.76	39	1.55	170	3995	8.69	38	1.70	29	34675	51.77	95	0.85	90kW							110kW									15			55984					102.16					136					0.85	GK189 GKA189			4P	35	28734			42.90	97	1.05	GK169 GKA169	4P	17	48224	88.00	138	1.00	20	40530	73.96	139	1.15	23	35094	64.04	138	1.35	28	29241	53.36	137	1.60	33	24934	45.50	134	1.90	35	23296	42.51	134	2.00	39	21136	38.57	134			2.20	62	16041	23.95	48					1.05	132kW							132kW							22					37308	68.08	104	0.80	GK169 GKA169			4P	70	14273	21.31	49	1.10	GK159 GKF159 GKA159 GKAF159	4P	25	33286	60.74	105	0.90	29	28370	51.77	106	1.05	35	23509	42.90			106	1.30	41	20062	36.61	105	1.50	46	17618			32.15	104	1.70	52	15717	28.68	103			1.90	61	13399	24.45	101	2.30			74	11103	20.26	98	2.70	86	9475			17.29	95	3.20	20	59444	73.96	111	0.80	GK189 GKA189	4P	23	51471	64.04	114	0.90	28	42887	53.36			117	1.10	33	36570	45.50	118	1.30	35	34167	42.51	118			1.40	39	31000	38.57	118	1.55	45	26708	33.23			117	1.75	53	22440	27.92	115	2.10	62			19434	24.18	113	2.30	74	16195	20.15	110	2.60			87	13808	17.18	108	2.80	39	20835	38.02	50	0.80	GK159 GKF159 GKA159 GKAF159	4P	48	17153	31.30	53	1.00	54	15136	27.62	54	1.10	62	13125	23.95	55	1.30	70	11678	21.31	55	1.45	81	10067	18.37	55	1.70	100	8176	14.92	55	2.10	118	6938	12.66	54	2.30	35	34480	42.90	87	0.90	41	29425	36.61	89	1.05	46	25840	32.15	90	1.15	52	23051	28.68	90	1.30	61	19651	24.45	90	1.55	74	16284	20.26	89	1.85	86	13897	17.29	88	2.20																											
52	13186	28.68	107	2.30			61	11241	24.45	105	2.70			39	17480	38.02	58	1.00	110kW							110kW							47	14390	31.30	59	1.20	GK159 GKF159 GKA159 GKAF159	4P	17	58941	88.00			122	0.80	GK189 GKA189			4P	54					12698					27.62					59					1.35			62			11011	23.95	59	1.55	69	9797	21.31	59	1.75	81	8446	18.37	59	2.00	99	6860	14.92	57	2.50	117	5820	12.66	56	2.80	47	14446	31.42	37	0.85	53	12749	27.73	39	0.95	62	11011	23.95	40	1.10	GK129 GKF129 GKA129 GKAF129													4P	70	9738	21.18	41	1.25	83	8184	17.80	41	1.50	103	6611	14.38	42	1.75	116	5889	12.81	39	1.40	138	4947	10.76	39	1.55	170	3995	8.69	38	1.70	29	34675	51.77	95	0.85	90kW							110kW								15			55984					102.16					136					0.85					GK189 GKA189	4P			35	28734	42.90			97	1.05	GK169 GKA169	4P	17	48224	88.00	138	1.00	20	40530	73.96	139	1.15	23	35094	64.04	138	1.35	28	29241	53.36	137	1.60	33	24934	45.50	134	1.90	35	23296	42.51	134	2.00			39	21136	38.57	134	2.20					62	16041	23.95					48	1.05			132kW									132kW								22	37308	68.08	104	0.80			GK169 GKA169	4P	70	14273	21.31	49	1.10	GK159 GKF159 GKA159 GKAF159	4P	25	33286	60.74	105			0.90	29	28370	51.77	106	1.05	35	23509	42.90			106	1.30	41	20062	36.61	105	1.50			46	17618	32.15	104	1.70	52			15717	28.68	103	1.90	61	13399	24.45			101	2.30	74	11103	20.26	98	2.70	86			9475	17.29	95	3.20	20	59444	73.96	111			0.80	GK189 GKA189	4P	23	51471	64.04	114	0.90	28	42887	53.36			117	1.10	33	36570	45.50	118	1.30	35	34167			42.51	118	1.40	39	31000	38.57	118	1.55			45	26708	33.23	117	1.75	53	22440	27.92	115			2.10	62	19434	24.18	113	2.30	74	16195	20.15	110			2.60	87	13808	17.18	108	2.80	39	20835	38.02	50	0.80	GK159 GKF159 GKA159 GKAF159	4P	48	17153	31.30	53	1.00	54	15136	27.62	54	1.10	62	13125	23.95	55	1.30	70	11678	21.31	55	1.45	81	10067	18.37	55	1.70	100	8176	14.92	55	2.10	118	6938	12.66	54	2.30	35	34480	42.90	87	0.90	41	29425	36.61	89	1.05	46	25840	32.15	90	1.15	52	23051	28.68	90	1.30	61	19651	24.45	90	1.55	74	16284	20.26	89	1.85	86	13897	17.29	88	2.20														
61	11241	24.45	105	2.70			39	17480	38.02	58	1.00			110kW							110kW							47	14390	31.30	59	1.20	GK159 GKF159 GKA159 GKAF159	4P	17	58941	88.00			122	0.80	GK189 GKA189			4P	54					12698					27.62					59					1.35					62			11011			23.95	59	1.55	69	9797	21.31	59	1.75	81	8446	18.37	59	2.00	99	6860	14.92	57	2.50	117	5820	12.66	56	2.80	47	14446	31.42	37	0.85	53	12749	27.73	39	0.95	62	11011	23.95	40	1.10	GK129 GKF129 GKA129 GKAF129															4P	70	9738	21.18	41	1.25	83	8184	17.80	41	1.50	103	6611	14.38	42	1.75	116	5889	12.81	39	1.40	138	4947	10.76	39	1.55	170	3995	8.69	38	1.70	29	34675	51.77	95	0.85	90kW							110kW							15			55984					102.16					136					0.85									GK189 GKA189	4P	35			28734	42.90			97	1.05	GK169 GKA169	4P	17	48224	88.00	138	1.00	20	40530	73.96	139	1.15	23	35094	64.04	138	1.35	28	29241	53.36	137	1.60	33	24934	45.50	134	1.90	35			23296	42.51	134	2.00	39					21136	38.57	134					2.20	62			16041			23.95	48					1.05	132kW							132kW									22	37308	68.08	104	0.80			GK169 GKA169	4P	70	14273			21.31	49	1.10	GK159 GKF159 GKA159 GKAF159	4P	25	33286	60.74	105			0.90	29	28370	51.77	106	1.05	35			23509	42.90	106	1.30	41	20062			36.61	105	1.50	46	17618	32.15	104			1.70	52	15717	28.68	103	1.90	61	13399			24.45	101	2.30	74	11103	20.26	98	2.70			86			9475	17.29	95	3.20	20	59444	73.96	111			0.80	GK189 GKA189	4P	23	51471	64.04	114	0.90	28			42887	53.36	117	1.10	33	36570	45.50	118			1.30	35	34167	42.51	118	1.40	39	31000	38.57			118	1.55	45	26708	33.23	117	1.75	53	22440	27.92			115	2.10	62	19434	24.18	113	2.30	74	16195	20.15	110			2.60	87	13808	17.18	108	2.80	39	20835	38.02	50	0.80	GK159 GKF159 GKA159 GKAF159	4P	48	17153	31.30	53	1.00	54	15136	27.62	54	1.10	62	13125	23.95	55	1.30	70	11678	21.31	55	1.45	81	10067	18.37	55	1.70	100	8176	14.92	55	2.10	118	6938	12.66	54	2.30	35	34480	42.90	87	0.90	41	29425	36.61	89	1.05	46	25840	32.15	90	1.15	52	23051	28.68	90	1.30	61	19651	24.45	90	1.55	74	16284	20.26	89	1.85	86	13897	17.29	88	2.20	
39	17480	38.02	58	1.00			110kW							110kW							47	14390	31.30	59	1.20	GK159 GKF159 GKA159 GKAF159	4P	17	58941	88.00	122	0.80			GK189 GKA189	4P	54			12698	27.62					59					1.35					62					11011					23.95		59	1.55		69			9797			21.31	59	1.75	81	8446	18.37	59	2.00	99	6860	14.92	57	2.50	117	5820	12.66	56	2.80	47	14446	31.42	37	0.85	53	12749	27.73	39	0.95	62	11011	23.95	40	1.10	GK129 GKF129 GKA129 GKAF129	4P	70	9738	21.18								41	1.25								83	8184	17.80	41	1.50	103	6611	14.38	42	1.75	116	5889	12.81	39	1.40	138	4947	10.76	39	1.55	170	3995	8.69	38	1.70	29	34675	51.77	95	0.85	90kW							110kW							15	55984	102.16	136	0.85	GK189 GKA189			4P					35					28734					42.90											97			1.05	GK169 GKA169			4P	17			48224	88.00	138	1.00	20	40530	73.96	139	1.15	23	35094	64.04	138	1.35	28	29241	53.36	137	1.60	33	24934	45.50	134	1.90	35	23296			42.51	134	2.00	39	21136	38.57	134			2.20	62	16041					23.95	48			1.05			132kW							132kW							22	37308	68.08	104	0.80					GK169 GKA169	4P	70	14273	21.31					49	1.10			GK159 GKF159 GKA159 GKAF159	4P	25			33286	60.74	105	0.90			29	28370	51.77	106	1.05	35	23509			42.90	106	1.30	41	20062	36.61			105	1.50	46	17618	32.15	104	1.70			52	15717	28.68	103	1.90	61	13399	24.45			101	2.30	74	11103	20.26	98	2.70	86			9475			17.29	95	3.20	20	59444	73.96	111	0.80			GK189 GKA189			4P	23	51471	64.04	114	0.90			28	42887	53.36	117	1.10	33	36570	45.50			118	1.30	35	34167	42.51	118	1.40	39	31000			38.57	118	1.55	45	26708	33.23	117	1.75	53	22440			27.92	115	2.10	62	19434	24.18	113	2.30	74	16195	20.15			110	2.60	87	13808	17.18	108	2.80	39	20835	38.02	50			0.80	GK159 GKF159 GKA159 GKAF159	4P	48	17153	31.30	53	1.00	54	15136	27.62	54	1.10	62	13125	23.95	55	1.30	70	11678	21.31	55	1.45	81	10067	18.37	55	1.70	100	8176	14.92	55	2.10	118	6938	12.66	54	2.30	35	34480	42.90	87	0.90	41	29425	36.61	89	1.05	46	25840	32.15	90	1.15	52	23051	28.68	90	1.30	61	19651	24.45	90	1.55	74	16284	20.26	89	1.85	86	13897	17.29
110kW							110kW																																																																																																																																																																																																																																																																																																																																																																																																																																																																																																																														
47	14390	31.30	59	1.20	GK159 GKF159 GKA159 GKAF159	4P	17	58941	88.00	122	0.80	GK189 GKA189	4P																																																																																																																																																																																																																																																																																																																																																																																																																																																																																																																								
54	12698	27.62	59	1.35			62	11011	23.95	59	1.55			69	9797	21.31	59	1.75	81	8446	18.37	59	2.00	99	6860			14.92	57	2.50	117	5820					12.66			56	2.80					47					14446		31.42	37		0.85		53	12749		27.73		39	0.95		62		11011	23.95		40			1.10			GK129 GKF129 GKA129 GKAF129	4P	70	9738	21.18	41	1.25	83	8184	17.80	41	1.50	103	6611	14.38	42	1.75	116	5889	12.81	39	1.40	138	4947	10.76	39	1.55	170	3995	8.69	38	1.70	29			34675	51.77	95					0.85	90kW											110kW							15	55984	102.16	136	0.85	GK189 GKA189	4P	35	28734	42.90	97	1.05	GK169 GKA169	4P	17	48224	88.00	138	1.00	20	40530	73.96	139	1.15	23	35094	64.04	138	1.35	28	29241	53.36	137	1.60	33	24934	45.50	134	1.90	35	23296	42.51		134	2.00		39			21136	38.57	134			2.20	62					16041											23.95			48					1.05			132kW							132kW							22	37308	68.08	104	0.80	GK169 GKA169	4P	70	14273	21.31	49	1.10	GK159 GKF159 GKA159 GKAF159	4P	25	33286	60.74	105	0.90	29	28370	51.77	106	1.05	35	23509			42.90	106	1.30	41			20062	36.61	105	1.50	46			17618	32.15	104	1.70	52	15717					28.68	103	1.90	61	13399							24.45	101	2.30					74	11103					20.26			98	2.70	86	9475			17.29	95	3.20	20	59444	73.96	111			0.80	GK189 GKA189	4P	23	51471	64.04			114	0.90	28	42887	53.36	117	1.10			33	36570	45.50	118	1.30	35	34167	42.51			118	1.40	39	31000	38.57	118	1.55	45	26708	33.23	117			1.75	53	22440	27.92	115	2.10	62	19434	24.18	113					2.30	74	16195	20.15	110			2.60	87	13808	17.18	108	2.80	39	20835			38.02	50	0.80	GK159 GKF159 GKA159 GKAF159	4P	48	17153	31.30	53			1.00	54	15136	27.62	54	1.10	62	13125	23.95	55			1.30	70	11678	21.31	55	1.45	81	10067	18.37	55	1.70			100	8176	14.92	55	2.10	118	6938	12.66	54	2.30	35			34480			42.90	87	0.90	41	29425	36.61	89	1.05	46	25840	32.15	90	1.15	52	23051	28.68	90	1.30	61	19651	24.45	90	1.55	74	16284	20.26	89	1.85	86	13897	17.29	88	2.20																																			
62	11011	23.95	59	1.55			69	9797	21.31	59	1.75			81	8446	18.37	59	2.00	99	6860	14.92	57	2.50	117	5820			12.66	56	2.80	47	14446					31.42			37	0.85					53		12749	27.73		39		0.95	62		11011		23.95	40		1.10		GK129 GKF129 GKA129 GKAF129	4P		70		9738	21.18		41			1.25	83	8184			17.80	41	1.50	103	6611	14.38	42	1.75	116	5889	12.81	39	1.40	138	4947	10.76	39	1.55	170	3995	8.69	38	1.70	29	34675	51.77	95	0.85	90kW							110kW							15	55984	102.16	136	0.85	GK189 GKA189	4P				35	28734	42.90	97	1.05	GK169 GKA169	4P	17	48224	88.00	138	1.00			20	40530	73.96	139	1.15			23	35094	64.04	138	1.35	28	29241	53.36	137	1.60	33	24934	45.50	134	1.90	35	23296	42.51	134	2.00	39	21136	38.57	134	2.20	62	16041	23.95		48	1.05		132kW								132kW																	22			37308					68.08			104	0.80	GK169 GKA169	4P	70	14273	21.31	49	1.10	GK159 GKF159 GKA159 GKAF159	4P	25	33286	60.74	105	0.90	29	28370	51.77			106	1.05	35	23509	42.90			106	1.30	41	20062	36.61	105	1.50	46	17618	32.15	104	1.70	52	15717	28.68	103	1.90	61			13399	24.45	101	2.30	74			11103	20.26	98	2.70	86	9475		17.29	95		3.20	20	59444	73.96	111							0.80	GK189 GKA189	4P					23	51471	64.04	114			0.90			28	42887	53.36	117			1.10	33	36570	45.50	118	1.30	35			34167			42.51	118	1.40			39	31000	38.57	118	1.55	45	26708			33.23	117	1.75	53	22440	27.92	115	2.10			62	19434	24.18	113	2.30	74	16195	20.15	110	2.60	87			13808	17.18	108	2.80	39	20835	38.02	50	0.80	GK159 GKF159 GKA159 GKAF159					4P	48	17153	31.30	53	1.00	54	15136	27.62	54	1.10	62	13125	23.95	55			1.30	70	11678			21.31	55	1.45	81			10067	18.37	55	1.70	100	8176	14.92	55	2.10	118			6938	12.66	54	2.30	35	34480	42.90	87	0.90	41	29425			36.61	89	1.05	46	25840	32.15	90	1.15	52	23051	28.68			90			1.30	61	19651	24.45	90	1.55	74	16284	20.26	89	1.85	86	13897	17.29	88	2.20																																																				
69	9797	21.31	59	1.75			81	8446	18.37	59	2.00			99	6860	14.92	57	2.50	117	5820	12.66	56	2.80	47	14446			31.42	37	0.85	53	12749					27.73			39	0.95		62	11011		23.95		40	1.10		GK129 GKF129 GKA129 GKAF129		4P	70		9738		21.18	41		1.25					83		8184	17.80		41	1.50	103	6611	14.38	42			1.75	116	5889	12.81	39	1.40	138	4947	10.76	39	1.55	170	3995	8.69	38	1.70	29	34675	51.77	95	0.85	90kW							110kW							15			55984	102.16	136	0.85	GK189 GKA189	4P	35	28734	42.90			97			1.05	GK169 GKA169	4P	17	48224			88.00	138	1.00	20	40530			73.96	139	1.15	23	35094			64.04	138	1.35	28	29241	53.36	137	1.60	33	24934	45.50	134	1.90	35	23296	42.51	134	2.00	39	21136	38.57	134	2.20	62	16041	23.95	48	1.05		132kW							132kW									22	37308	68.08			104							0.80			GK169 GKA169					4P			70	14273			21.31	49	1.10	GK159 GKF159 GKA159 GKAF159	4P			25	33286	60.74	105	0.90	29	28370	51.77			106	1.05	35	23509	42.90			106	1.30	41	20062	36.61	105	1.50	46	17618	32.15	104	1.70	52	15717	28.68	103	1.90	61	13399	24.45	101	2.30	74	11103	20.26			98	2.70	86	9475	17.29	95		3.20	20		59444	73.96	111	0.80	GK189 GKA189	4P	23					51471							64.04	114	0.90	28			42887			53.36	117	1.10	33	36570	45.50	118	1.30	35	34167	42.51	118	1.40			39			31000	38.57	118			1.55	45	26708	33.23	117	1.75	53			22440	27.92	115	2.10	62	19434	24.18	113			2.30	74	16195	20.15	110	2.60	87	13808	17.18	108	2.80			39	20835	38.02	50	0.80	GK159 GKF159 GKA159 GKAF159	4P	48	17153							31.30	53	1.00	54	15136	27.62	54	1.10	62	13125	23.95	55	1.30	70	11678	21.31	55	1.45	81			10067	18.37	55	1.70			100	8176	14.92	55	2.10	118	6938	12.66	54	2.30			35	34480	42.90	87	0.90	41	29425	36.61	89	1.05	46			25840	32.15	90	1.15	52	23051	28.68	90	1.30	61	19651			24.45			90	1.55	74	16284	20.26	89	1.85	86	13897	17.29	88	2.20																																																								
81	8446	18.37	59	2.00			99	6860	14.92	57	2.50			117	5820	12.66	56	2.80	47	14446	31.42	37	0.85	53	12749			27.73	39	0.95	62	11011					23.95	40	1.10	GK129 GKF129 GKA129 GKAF129	4P		70	9738		21.18		41	1.25					83		8184		17.80	41		1.50					103	6611	14.38	42	1.75	116	5889	12.81	39	1.40	138			4947	10.76	39	1.55	170	3995	8.69	38	1.70	29	34675	51.77	95	0.85	90kW							110kW							15	55984	102.16			136	0.85	GK189 GKA189		4P	35	28734	42.90	97			1.05	GK169 GKA169	4P			17	48224		88.00			138	1.00			20	40530	73.96	139	1.15			23	35094	64.04	138	1.35			28	29241	53.36	137	1.60	33	24934	45.50	134	1.90	35	23296	42.51	134	2.00	39	21136	38.57	134	2.20	62	16041	23.95	48	1.05	132kW							132kW							22	37308	68.08	104	0.80	GK169 GKA169	4P	70	14273			21.31	49	1.10					GK159 GKF159 GKA159 GKAF159											4P	25			33286	60.74	105					0.90	29	28370	51.77	106	1.05	35	23509			42.90	106	1.30	41	20062			36.61	105	1.50	46	17618	32.15	104	1.70	52	15717	28.68	103	1.90	61	13399	24.45	101	2.30	74	11103	20.26	98	2.70	86	9475	17.29	95	3.20	20	59444	73.96	111	0.80		GK189 GKA189	4P		23	51471	64.04	114			0.90					28			42887	53.36			117	1.10	33	36570			45.50			118	1.30	35	34167	42.51	118	1.40	39	31000	38.57	118	1.55	45	26708	33.23	117			1.75	53	22440			27.92	115	2.10	62	19434	24.18	113			2.30	74	16195	20.15	110	2.60	87	13808			17.18	108	2.80	39	20835	38.02	50	0.80	GK159 GKF159 GKA159 GKAF159	4P	48			17153	31.30	53	1.00	54			15136	27.62							54	1.10	62	13125	23.95	55	1.30	70	11678	21.31	55	1.45	81	10067	18.37	55	1.70	100	8176			14.92	55	2.10	118	6938	12.66	54	2.30	35	34480	42.90	87	0.90	41	29425	36.61			89	1.05	46	25840	32.15	90	1.15	52	23051	28.68	90			1.30	61	19651	24.45	90	1.55	74	16284	20.26	89	1.85			86			13897	17.29	88	2.20																																																																
99	6860	14.92	57	2.50			117	5820	12.66	56	2.80			47	14446	31.42	37	0.85	53	12749	27.73	39	0.95	62	11011			23.95	40	1.10	GK129 GKF129 GKA129 GKAF129	4P	70	9738			21.18	41	1.25				83	8184		17.80		41	1.50					103		6611		14.38	42		1.75	116			5889	12.81	39	1.40	138	4947	10.76	39	1.55	170	3995	8.69			38	1.70	29	34675	51.77	95	0.85	90kW							110kW							15	55984	102.16	136	0.85	GK189 GKA189	4P	35	28734	42.90			97	1.05		GK169 GKA169		4P	17	48224	88.00			138					1.00	20	40530	73.96			139	1.15			23	35094	64.04	138	1.35			28	29241	53.36	137	1.60			33	24934	45.50	134	1.90	35	23296	42.51	134	2.00	39	21136	38.57	134	2.20	62	16041	23.95	48	1.05	132kW							132kW							22	37308	68.08	104	0.80	GK169 GKA169	4P	70	14273	21.31			49	1.10	GK159 GKF159 GKA159 GKAF159	4P	25	33286	60.74			105	0.90													29			28370	51.77	106					1.05	35	23509	42.90	106	1.30	41	20062			36.61	105	1.50	46	17618			32.15	104	1.70	52	15717	28.68	103	1.90	61	13399	24.45	101	2.30	74	11103	20.26	98	2.70	86	9475	17.29	95	3.20	20	59444	73.96	111	0.80	GK189 GKA189	4P	23	51471	64.04	114			0.90	28	42887	53.36	117			1.10					33			36570	45.50			118	1.30	35	34167			42.51	118	1.40	39	31000	38.57	118	1.55	45	26708	33.23	117	1.75	53	22440	27.92	115	2.10	62			19434	24.18	113	2.30	74	16195	20.15	110	2.60	87	13808	17.18			108	2.80	39	20835	38.02	50	0.80	GK159 GKF159 GKA159 GKAF159			4P	48	17153	31.30	53	1.00	54	15136			27.62			54	1.10	62	13125	23.95			55	1.30							70	11678	21.31	55	1.45	81	10067	18.37	55	1.70	100	8176	14.92	55	2.10	118	6938	12.66	54			2.30	35	34480	42.90	87	0.90	41	29425	36.61	89	1.05	46	25840	32.15	90	1.15	52	23051	28.68	90	1.30	61	19651	24.45	90	1.55	74	16284	20.26			89	1.85	86	13897	17.29	88	2.20																																																																													
117	5820	12.66	56	2.80			47	14446	31.42	37	0.85			53	12749	27.73	39	0.95	62	11011	23.95	40	1.10	GK129 GKF129 GKA129 GKAF129	4P	70	9738	21.18	41	1.25			83	8184			17.80	41	1.50				103	6611		14.38		42	1.75					116		5889	12.81	39	1.40	138	4947	10.76			39	1.55	170	3995	8.69	38	1.70	29	34675	51.77	95	0.85			90kW							110kW							15	55984	102.16	136	0.85	GK189 GKA189	4P	35	28734	42.90	97	1.05			GK169 GKA169	4P	17	48224	88.00	138	1.00					20	40530	73.96			139					1.15	23	35094	64.04			138	1.35			28	29241	53.36	137	1.60			33	24934	45.50	134	1.90			35	23296	42.51	134	2.00	39	21136	38.57	134	2.20	62	16041	23.95	48	1.05	132kW							132kW							22	37308	68.08	104	0.80	GK169 GKA169	4P	70	14273	21.31			49	1.10	GK159 GKF159 GKA159 GKAF159			4P	25			33286	60.74	105	0.90	29	28370	51.77													106			1.05	35	23509					42.90	106	1.30	41	20062	36.61	105	1.50			46	17618	32.15	104	1.70			52	15717	28.68	103	1.90	61	13399	24.45	101	2.30	74	11103	20.26	98	2.70	86	9475	17.29	95	3.20	20	59444	73.96	111	0.80	GK189 GKA189	4P	23			51471	64.04	114	0.90			28	42887	53.36	117	1.10			33	36570	45.50			118			1.30	35			34167	42.51	118	1.40	39	31000	38.57	118	1.55	45	26708	33.23	117	1.75	53	22440	27.92	115	2.10	62	19434	24.18	113	2.30	74			16195	20.15	110	2.60	87	13808	17.18	108	2.80	39	20835	38.02	50	0.80	GK159 GKF159 GKA159 GKAF159	4P	48	17153	31.30	53	1.00					54	15136	27.62	54	1.10	62	13125			23.95			55	1.30	70	11678	21.31			55	1.45							81	10067	18.37	55	1.70	100	8176	14.92	55	2.10	118	6938	12.66	54	2.30	35	34480	42.90	87			0.90	41	29425	36.61	89	1.05	46	25840	32.15	90	1.15	52	23051	28.68	90	1.30	61	19651	24.45	90	1.55	74	16284	20.26	89	1.85	86	13897	17.29	88	2.20																																																																																				
47	14446	31.42	37	0.85			53	12749	27.73	39	0.95			62	11011	23.95	40	1.10	GK129 GKF129 GKA129 GKAF129	4P	70	9738	21.18			41	1.25	83	8184	17.80			41	1.50			103	6611	14.38				42	1.75		116		5889	12.81			39		1.40	138	4947	10.76	39	1.55	170	3995	8.69			38	1.70	29	34675	51.77	95	0.85	90kW							110kW							15	55984	102.16	136	0.85	GK189 GKA189	4P	35	28734	42.90	97	1.05			GK169 GKA169	4P	17	48224	88.00					138	1.00	20	40530	73.96					139	1.15	23			35094					64.04	138	1.35	28			29241	53.36			137	1.60	33	24934	45.50			134	1.90	35	23296	42.51			134	2.00	39	21136	38.57	134	2.20	62	16041	23.95	48	1.05	132kW							132kW							22	37308	68.08	104	0.80	GK169 GKA169	4P	70			14273	21.31	49			1.10	GK159 GKF159 GKA159 GKAF159					4P			25	33286	60.74	105	0.90	29	28370		51.77	106										1.05			35	23509	42.90					106	1.30	41	20062	36.61	105	1.50	46			17618	32.15	104	1.70	52			15717	28.68	103	1.90	61	13399	24.45	101	2.30	74	11103	20.26	98	2.70	86	9475	17.29	95	3.20	20	59444	73.96	111	0.80	GK189 GKA189			4P			23	51471	64.04	114			0.90	28	42887	53.36	117			1.10	33	36570			45.50			118	1.30	35	34167	42.51	118	1.40	39	31000	38.57	118	1.55	45	26708	33.23	117	1.75	53	22440	27.92	115	2.10	62	19434	24.18	113	2.30	74	16195			20.15	110	2.60	87	13808	17.18	108	2.80	39	20835	38.02	50	0.80	GK159 GKF159 GKA159 GKAF159			4P	48	17153	31.30	53		1.00	54		15136	27.62	54	1.10	62	13125	23.95			55			1.30	70	11678	21.31	55			1.45	81							10067	18.37	55	1.70	100	8176	14.92	55	2.10	118	6938	12.66	54	2.30	35	34480	42.90	87	0.90			41	29425	36.61	89	1.05	46	25840	32.15	90	1.15	52	23051	28.68	90	1.30	61	19651	24.45	90	1.55	74	16284	20.26	89	1.85	86	13897	17.29	88	2.20																																																																																					
53	12749	27.73	39	0.95	62	11011	23.95	40	1.10	GK129 GKF129 GKA129 GKAF129	4P			70	9738	21.18	41	1.25			83	8184	17.80			41	1.50	103	6611	14.38			42	1.75			116	5889	12.81				39	1.40		138	4947	10.76	39	1.55		170		3995	8.69	38	1.70	29	34675	51.77	95	0.85			90kW							110kW							15	55984	102.16	136	0.85	GK189 GKA189	4P	35	28734	42.90	97	1.05			GK169 GKA169	4P	17	48224	88.00					138	1.00	20					40530	73.96	139	1.15	23					35094	64.04	138			1.35					28	29241	53.36	137			1.60	33			24934	45.50	134	1.90	35			23296	42.51	134	2.00	39			21136	38.57	134	2.20	62	16041	23.95	48	1.05	132kW							132kW							22	37308	68.08	104	0.80	GK169 GKA169	4P	70			14273			21.31	49	1.10			GK159 GKF159 GKA159 GKAF159									4P	25	33286	60.74	105	0.90	29		28370	51.77			106	1.05						35			23509	42.90	106					1.30	41	20062	36.61	105	1.50	46	17618			32.15	104	1.70	52	15717			28.68	103	1.90	61	13399	24.45	101	2.30	74	11103	20.26	98	2.70	86	9475	17.29	95	3.20	20	59444	73.96	111	0.80	GK189 GKA189							4P	23	51471	64.04			114	0.90	28	42887	53.36			117	1.10	33	36570	45.50	118			1.30	35	34167	42.51	118	1.40	39	31000	38.57	118	1.55	45	26708	33.23	117	1.75	53	22440	27.92	115	2.10	62	19434	24.18	113	2.30	74	16195	20.15			110	2.60	87	13808	17.18	108	2.80	39	20835	38.02	50	0.80	GK159 GKF159 GKA159 GKAF159					4P	48	17153	31.30		53	1.00		54	15136	27.62	54	1.10	62	13125			23.95	55	1.30	70	11678	21.31	55	1.45			81	10067							18.37	55	1.70	100	8176	14.92	55	2.10	118	6938	12.66	54	2.30	35	34480	42.90	87	0.90	41			29425	36.61	89	1.05	46	25840	32.15	90	1.15	52	23051	28.68	90	1.30	61	19651	24.45	90	1.55	74	16284	20.26	89	1.85	86	13897	17.29	88	2.20																																																																																						
62	11011	23.95	40	1.10	GK129 GKF129 GKA129 GKAF129	4P	70	9738	21.18					41	1.25	83	8184	17.80			41	1.50	103			6611	14.38	42	1.75	116			5889	12.81			39	1.40	138			4947	10.76	39	1.55	170	3995	8.69	38	1.70		29		34675	51.77	95	0.85	90kW							110kW							15	55984	102.16	136	0.85	GK189 GKA189	4P	35	28734	42.90	97	1.05			GK169 GKA169	4P	17	48224	88.00					138	1.00	20					40530	73.96	139					1.15	23	35094	64.04	138					1.35	28	29241			53.36					137	1.60	33	24934			45.50	134			1.90	35	23296	42.51	134	2.00	39	21136	38.57	134	2.20	62			16041	23.95	48	1.05	132kW							132kW							22	37308	68.08	104	0.80	GK169 GKA169	4P	70	14273	21.31			49			1.10			GK159 GKF159 GKA159 GKAF159	4P	25													33286	60.74	105	0.90	29	28370		51.77	106			1.05	35			23509	42.90		106			1.30	41	20062					36.61	105	1.50	46	17618	32.15	104	1.70			52	15717	28.68	103	1.90	61	13399	24.45	101	2.30	74	11103	20.26	98	2.70	86	9475	17.29	95	3.20	20	59444	73.96	111	0.80	GK189 GKA189	4P	23	51471	64.04									114	0.90	28			42887	53.36	117	1.10	33			36570	45.50	118	1.30	35	34167			42.51	118	1.40	39	31000	38.57	118	1.55	45	26708	33.23	117	1.75	53	22440	27.92	115	2.10	62	19434	24.18	113	2.30	74	16195	20.15	110	2.60	87			13808	17.18	108	2.80	39	20835	38.02	50	0.80	GK159 GKF159 GKA159 GKAF159	4P	48							17153	31.30	53		1.00	54		15136	27.62	54	1.10	62	13125	23.95			55	1.30	70	11678	21.31	55	1.45	81			10067	18.37			55	1.70			100	8176	14.92	55	2.10	118	6938	12.66	54	2.30	35	34480	42.90	87	0.90	41	29425	36.61	89			1.05	46	25840	32.15	90	1.15	52	23051	28.68	90	1.30	61	19651	24.45	90	1.55	74	16284	20.26	89	1.85	86	13897	17.29	88	2.20																																																																																									
70	9738	21.18	41	1.25			83	8184	17.80					41	1.50	103	6611	14.38			42	1.75	116			5889	12.81	39	1.40	138			4947	10.76	39	1.55	170	3995	8.69			38	1.70	29	34675	51.77	95	0.85	90kW							110kW							15	55984	102.16	136	0.85	GK189 GKA189	4P	35	28734	42.90	97	1.05	GK169 GKA169	4P			17	48224	88.00	138	1.00					20	40530	73.96					139	1.15	23					35094	64.04	138					1.35	28	29241	53.36	137					1.60	33	24934			45.50			134	1.90	35	23296	42.51	134			2.00	39			21136	38.57	134	2.20	62	16041	23.95	48	1.05	132kW							132kW							22	37308	68.08	104	0.80	GK169 GKA169	4P	70	14273	21.31	49	1.10	GK159 GKF159 GKA159 GKAF159	4P			25	33286	60.74			105			0.90					29													28370	51.77	106	1.05	35	23509		42.90	106		1.30	41	20062	36.61		105	1.50		46			17618	32.15	104			1.70	52	15717	28.68	103	1.90	61	13399	24.45	101			2.30	74	11103	20.26	98	2.70	86	9475	17.29	95	3.20	20	59444	73.96	111	0.80	GK189 GKA189	4P	23	51471	64.04	114	0.90	28	42887			53.36	117	1.10									33	36570	45.50			118	1.30	35	34167	42.51			118	1.40	39	31000	38.57	118			1.55	45	26708	33.23	117	1.75	53	22440	27.92	115	2.10	62	19434	24.18	113	2.30	74	16195	20.15	110	2.60	87	13808	17.18	108	2.80	39	20835	38.02			50	0.80	GK159 GKF159 GKA159 GKAF159	4P	48	17153	31.30	53	1.00			54							15136	27.62	54		1.10	62		13125	23.95	55	1.30	70	11678	21.31			55	1.45	81	10067	18.37	55	1.70	100			8176	14.92		55	2.10	118	6938		12.66	54	2.30	35	34480	42.90	87	0.90	41	29425	36.61	89	1.05	46	25840	32.15	90	1.15	52			23051	28.68	90	1.30	61	19651	24.45	90	1.55	74	16284	20.26	89	1.85	86	13897	17.29	88	2.20																																																																																																
83	8184	17.80	41	1.50			103	6611	14.38					42	1.75	116	5889	12.81			39	1.40	138			4947	10.76	39	1.55	170			3995	8.69	38	1.70	29	34675	51.77			95	0.85	90kW							110kW							15	55984	102.16	136	0.85	GK189 GKA189	4P	35	28734	42.90			97	1.05	GK169 GKA169	4P	17					48224	88.00	138	1.00	20					40530	73.96	139					1.15	23	35094					64.04	138	1.35					28	29241	53.36	137	1.60					33	24934	45.50	134	1.90	35			23296	42.51	134	2.00	39	21136			38.57	134			2.20	62	16041	23.95	48	1.05	132kW								132kW							22	37308	68.08	104	0.80	GK169 GKA169	4P			70	14273	21.31	49	1.10					GK159 GKF159 GKA159 GKAF159	4P	25			33286			60.74					105													0.90	29	28370	51.77	106	1.05		35	23509		42.90	106	1.30	41		20062	36.61		105			1.50	46	17618	32.15	104	1.70	52	15717	28.68	103	1.90	61	13399	24.45	101	2.30	74	11103	20.26	98	2.70	86	9475	17.29	95	3.20	20	59444	73.96	111	0.80	GK189 GKA189	4P			23	51471	64.04	114	0.90	28	42887			53.36	117	1.10									33	36570	45.50			118	1.30	35	34167	42.51			118	1.40	39	31000	38.57	118			1.55	45	26708	33.23	117	1.75	53	22440	27.92	115	2.10	62	19434	24.18	113	2.30	74	16195	20.15	110	2.60	87	13808	17.18	108	2.80	39	20835	38.02			50	0.80			GK159 GKF159 GKA159 GKAF159	4P	48	17153	31.30			53							1.00	54	15136		27.62	54		1.10	62	13125	23.95	55	1.30	70			11678	21.31	55	1.45	81	10067	18.37	55			1.70	100		8176	14.92	55	2.10		118	6938	12.66	54	2.30	35	34480	42.90	87	0.90	41	29425	36.61	89	1.05	46	25840	32.15	90	1.15	52	23051	28.68	90	1.30	61	19651	24.45	90	1.55	74	16284	20.26	89	1.85	86	13897	17.29	88	2.20																																																																																																
103	6611	14.38	42	1.75			116	5889	12.81			39	1.40	138	4947	10.76	39	1.55			170	3995	8.69			38	1.70	29	34675	51.77			95	0.85	90kW							110kW							15	55984	102.16	136	0.85	GK189 GKA189	4P	35	28734	42.90	97	1.05	GK169 GKA169	4P			17	48224	88.00			138	1.00			20					40530	73.96	139	1.15	23					35094	64.04	138					1.35	28	29241					53.36	137	1.60					33	24934	45.50	134	1.90	35		23296		42.51	134	2.00	39	21136	38.57			134	2.20	62	16041	23.95	48			1.05	132kW							132kW							22			37308	68.08	104	0.80	GK169 GKA169	4P	70	14273	21.31	49	1.10	GK159 GKF159 GKA159 GKAF159					4P	25	33286	60.74	105							0.90			29			28370					51.77													106	1.05	35	23509	42.90	106	1.30	41	20062		36.61	105	1.50	46		17618	32.15	104	1.70	52	15717	28.68	103	1.90	61	13399	24.45	101	2.30	74	11103	20.26	98	2.70	86	9475	17.29	95	3.20	20	59444	73.96	111	0.80	GK189 GKA189	4P	23	51471	64.04	114	0.90	28					42887	53.36	117	1.10	33	36570	45.50			118	1.30	35									34167	42.51	118			1.40	39	31000	38.57	118			1.55	45	26708	33.23	117	1.75			53	22440	27.92	115	2.10	62	19434	24.18	113	2.30	74	16195	20.15	110	2.60	87	13808	17.18	108	2.80	39	20835	38.02	50	0.80	GK159 GKF159 GKA159 GKAF159	4P	48	17153			31.30	53					1.00	54	15136			27.62							54	1.10	62		13125	23.95		55	1.30	70	11678	21.31	55	1.45			81	10067	18.37	55	1.70	100	8176	14.92			55	2.10	118	6938	12.66	54	2.30	35	34480	42.90	87	0.90	41	29425	36.61	89	1.05	46	25840	32.15	90	1.15	52	23051	28.68	90	1.30	61	19651	24.45	90	1.55	74	16284	20.26	89	1.85	86	13897	17.29	88	2.20																																																																																																						
116	5889	12.81	39	1.40			138	4947	10.76			39	1.55	170	3995	8.69	38	1.70			29	34675	51.77			95	0.85	90kW							110kW							15	55984	102.16	136	0.85	GK189 GKA189	4P	35	28734	42.90	97	1.05			GK169 GKA169	4P	17	48224	88.00					138	1.00	20			40530	73.96			139					1.15	23	35094	64.04	138					1.35	28	29241					53.36	137	1.60					33	24934	45.50	134	1.90			35	23296	42.51	134	2.00	39		21136		38.57	134	2.20	62	16041	23.95			48	1.05	132kW							132kW							22	37308	68.08	104	0.80	GK169 GKA169	4P	70	14273	21.31	49	1.10	GK159 GKF159 GKA159 GKAF159	4P			25	33286	60.74	105	0.90							29	28370	51.77	106							1.05			35			23509					42.90										106	1.30		41	20062	36.61	105	1.50	46	17618	32.15	104	1.70	52	15717	28.68	103	1.90	61	13399	24.45	101	2.30	74	11103	20.26	98	2.70	86	9475	17.29	95	3.20	20	59444	73.96	111	0.80	GK189 GKA189	4P	23	51471	64.04	114	0.90	28	42887			53.36	117	1.10	33	36570	45.50					118	1.30	35	34167	42.51	118	1.40			39	31000	38.57									118	1.55	45			26708	33.23	117	1.75	53			22440	27.92	115	2.10	62	19434			24.18	113	2.30	74	16195	20.15	110	2.60	87	13808	17.18	108	2.80	39	20835	38.02	50	0.80	GK159 GKF159 GKA159 GKAF159	4P	48	17153	31.30	53	1.00			54	15136	27.62	54	1.10	62					13125	23.95	55			1.30							70	11678	21.31		55	1.45		81	10067	18.37	55	1.70	100	8176			14.92	55	2.10	118	6938	12.66	54	2.30	35	34480	42.90	87	0.90	41	29425	36.61	89	1.05	46	25840	32.15	90	1.15	52	23051	28.68	90	1.30	61	19651	24.45	90	1.55	74	16284	20.26	89	1.85	86	13897	17.29	88	2.20																																																																																																															
138	4947	10.76	39	1.55			170	3995	8.69			38	1.70	29	34675	51.77	95	0.85			90kW							110kW							15	55984	102.16	136	0.85	GK189 GKA189	4P	35	28734	42.90	97	1.05			GK169 GKA169	4P	17	48224	88.00					138	1.00	20					40530	73.96	139			1.15	23			35094					64.04	138	1.35	28	29241					53.36	137	1.60					33	24934	45.50	134	1.90			35	23296	42.51	134	2.00			39	21136	38.57	134	2.20	62		16041		23.95	48	1.05	132kW							132kW							22	37308	68.08	104	0.80	GK169 GKA169	4P	70	14273	21.31	49	1.10			GK159 GKF159 GKA159 GKAF159	4P	25	33286	60.74					105	0.90	29	28370	51.77							106	1.05	35	23509							42.90			106			1.30					41					20062	36.61	105	1.50		46	17618		32.15	104	1.70	52	15717	28.68	103	1.90	61	13399	24.45	101	2.30	74	11103	20.26	98	2.70	86	9475	17.29	95	3.20	20	59444	73.96	111	0.80	GK189 GKA189	4P	23	51471	64.04	114	0.90			28	42887	53.36	117	1.10	33	36570			45.50	118	1.30	35	34167	42.51					118	1.40	39	31000	38.57	118	1.55			45	26708	33.23									117	1.75	53			22440	27.92	115	2.10	62			19434	24.18	113	2.30	74	16195	20.15	110	2.60	87	13808	17.18	108	2.80	39	20835	38.02	50	0.80	GK159 GKF159 GKA159 GKAF159	4P	48	17153	31.30	53	1.00			54	15136	27.62	54	1.10			62	13125	23.95	55	1.30	70					11678	21.31	55			1.45							81	10067	18.37		55	1.70		100	8176	14.92	55	2.10	118	6938	12.66	54	2.30	35	34480	42.90	87	0.90	41	29425	36.61	89	1.05	46	25840	32.15	90	1.15	52	23051	28.68	90	1.30	61	19651	24.45	90	1.55	74	16284	20.26	89	1.85	86	13897	17.29	88	2.20																																																																																																																						
170	3995	8.69	38	1.70			29	34675	51.77			95	0.85	90kW							110kW							15	55984	102.16	136	0.85	GK189 GKA189	4P	35	28734	42.90	97	1.05			GK169 GKA169	4P	17	48224	88.00					138	1.00	20					40530	73.96	139					1.15	23	35094			64.04	138			1.35					28	29241	53.36	137	1.60					33	24934	45.50	134	1.90			35	23296	42.51	134	2.00			39	21136	38.57	134	2.20			62	16041	23.95	48	1.05	132kW							132kW							22	37308	68.08	104	0.80	GK169 GKA169	4P	70	14273	21.31	49	1.10			GK159 GKF159 GKA159 GKAF159	4P	25	33286	60.74					105	0.90	29					28370	51.77	106	1.05	35							23509	42.90	106	1.30							41			20062			36.61					105	1.50	46		17618	32.15	104	1.70	52	15717	28.68	103		1.90	61	13399	24.45	101	2.30	74	11103	20.26	98	2.70	86	9475	17.29	95	3.20	20	59444	73.96	111	0.80	GK189 GKA189	4P	23	51471	64.04	114	0.90			28	42887	53.36	117	1.10			33	36570	45.50	118	1.30	35	34167			42.51	118	1.40	39	31000	38.57					118	1.55	45	26708	33.23	117	1.75			53	22440	27.92									115	2.10	62			19434	24.18	113	2.30	74	16195	20.15	110	2.60	87	13808	17.18	108	2.80	39	20835	38.02	50	0.80	GK159 GKF159 GKA159 GKAF159	4P	48	17153	31.30	53	1.00			54	15136	27.62	54	1.10			62	13125	23.95	55	1.30			70	11678	21.31	55	1.45	81					10067	18.37	55			1.70							100	8176	14.92	55	2.10	118	6938	12.66	54	2.30	35	34480	42.90	87	0.90	41	29425	36.61	89	1.05	46	25840	32.15	90	1.15	52	23051	28.68	90	1.30	61	19651	24.45	90	1.55	74	16284	20.26	89	1.85	86	13897	17.29	88	2.20																																																																																																																													
29	34675	51.77	95	0.85			90kW							110kW							15	55984	102.16	136	0.85	GK189 GKA189	4P	35	28734	42.90	97	1.05			GK169 GKA169	4P	17	48224	88.00					138	1.00	20					40530	73.96	139					1.15	23	35094					64.04	138	1.35			28	29241			53.36					137	1.60	33	24934	45.50	134	1.90			35	23296	42.51	134	2.00			39	21136	38.57	134	2.20			62	16041	23.95	48	1.05			132kW							132kW							22	37308	68.08	104	0.80	GK169 GKA169	4P	70	14273	21.31			49	1.10	GK159 GKF159 GKA159 GKAF159	4P	25					33286	60.74	105					0.90	29	28370					51.77	106	1.05	35	23509							42.90	106	1.30	41							20062			36.61			105	1.50	46			17618	32.15	104	1.70	52	15717	28.68	103	1.90	61	13399	24.45	101	2.30	74	11103	20.26	98	2.70	86	9475	17.29	95	3.20	20	59444	73.96	111	0.80	GK189 GKA189	4P	23	51471	64.04			114	0.90	28	42887	53.36			117	1.10	33	36570	45.50			118	1.30	35	34167	42.51	118	1.40			39	31000	38.57	118	1.55	45					26708	33.23	117	1.75	53	22440	27.92			115	2.10	62									19434	24.18	113	2.30	74	16195	20.15	110	2.60	87	13808	17.18	108	2.80	39	20835	38.02	50	0.80	GK159 GKF159 GKA159 GKAF159	4P	48	17153	31.30			53	1.00	54	15136	27.62			54	1.10	62	13125	23.95			55	1.30	70	11678	21.31			55	1.45	81	10067	18.37	55					1.70	100	8176			14.92			55	2.10			118	6938	12.66	54	2.30	35	34480	42.90	87	0.90	41	29425	36.61	89	1.05	46	25840	32.15	90	1.15	52	23051	28.68	90	1.30	61	19651	24.45	90	1.55	74	16284	20.26	89	1.85	86	13897	17.29	88	2.20																																																																																																																																		
90kW							110kW																																																																																																																																																																																																																																																																																																																																																																																																																																																																																																																														
15	55984	102.16	136	0.85	GK189 GKA189	4P	35	28734	42.90	97	1.05	GK169 GKA169	4P																																																																																																																																																																																																																																																																																																																																																																																																																																																																																																																								
17	48224	88.00	138	1.00			20	40530	73.96	139	1.15			23	35094	64.04	138	1.35	28	29241	53.36	137	1.60	33	24934			45.50	134	1.90	35	23296					42.51	134	2.00					39	21136	38.57					134	2.20	62					16041	23.95	48			1.05	132kW							132kW							22	37308	68.08	104	0.80	GK169 GKA169	4P	70			14273	21.31	49	1.10	GK159 GKF159 GKA159 GKAF159			4P	25	33286	60.74	105	0.90	29	28370	51.77	106	1.05	35	23509	42.90	106	1.30	41	20062	36.61	105	1.50	46	17618	32.15	104	1.70	52	15717	28.68	103	1.90	61	13399			24.45	101	2.30			74	11103			20.26					98	2.70	86					9475	17.29	95					3.20	20	59444	73.96	111							0.80	GK189 GKA189	4P	23	51471	64.04	114	0.90	28	42887	53.36	117	1.10	33	36570	45.50	118	1.30	35	34167	42.51	118	1.40	39	31000	38.57	118	1.55	45	26708	33.23	117	1.75	53	22440	27.92	115	2.10	62	19434	24.18	113	2.30	74	16195	20.15	110	2.60	87	13808			17.18	108	2.80			39	20835	38.02	50	0.80			GK159 GKF159 GKA159 GKAF159	4P	48	17153	31.30			53	1.00	54	15136	27.62	54	1.10			62	13125	23.95	55	1.30	70					11678	21.31	55	1.45	81	10067	18.37			55	1.70	100		8176	14.92	55	2.10	118	6938		12.66	54	2.30	35	34480	42.90	87	0.90	41	29425	36.61	89	1.05	46	25840	32.15	90	1.15	52			23051	28.68	90			1.30	61	19651	24.45	90			1.55	74	16284	20.26	89			1.85	86	13897	17.29	88			2.20																																																																																																																																																																																															
20	40530	73.96	139	1.15			23	35094	64.04	138	1.35			28	29241	53.36	137	1.60	33	24934	45.50	134	1.90	35	23296			42.51	134	2.00	39	21136					38.57	134	2.20					62	16041	23.95					48	1.05	132kW							132kW							22	37308	68.08	104	0.80			GK169 GKA169			4P	70	14273	21.31	49	1.10			GK159 GKF159 GKA159 GKAF159			4P	25	33286	60.74		105	0.90		29	28370	51.77	106	1.05	35	23509	42.90	106	1.30	41	20062	36.61	105	1.50	46	17618	32.15	104	1.70	52	15717	28.68	103	1.90	61	13399	24.45	101	2.30	74	11103			20.26	98	2.70			86	9475			17.29					95	3.20	20					59444	73.96	111					0.80	GK189 GKA189	4P	23	51471	64.04			114	0.90	28	42887			53.36	117	1.10	33	36570	45.50	118	1.30	35	34167	42.51	118	1.40	39	31000	38.57	118	1.55	45	26708	33.23	117	1.75	53	22440	27.92	115	2.10	62	19434	24.18	113	2.30	74	16195	20.15	110	2.60	87	13808	17.18	108	2.80	39	20835	38.02	50			0.80	GK159 GKF159 GKA159 GKAF159	4P			48	17153	31.30	53	1.00					54	15136	27.62			54	1.10	62	13125	23.95	55	1.30			70	11678	21.31	55	1.45	81					10067	18.37	55	1.70	100	8176	14.92			55	2.10	118	6938	12.66	54	2.30	35	34480	42.90	87	0.90	41	29425	36.61	89	1.05	46	25840	32.15	90	1.15	52	23051	28.68	90	1.30	61	19651	24.45			90	1.55	74			16284	20.26	89	1.85	86			13897	17.29	88	2.20																																																																																																																																																																																																										
23	35094	64.04	138	1.35			28	29241	53.36	137	1.60			33	24934	45.50	134	1.90	35	23296	42.51	134	2.00	39	21136			38.57	134	2.20	62	16041					23.95	48	1.05					132kW							132kW							22	37308	68.08			104	0.80	GK169 GKA169	4P	70	14273	21.31	49	1.10							GK159 GKF159 GKA159 GKAF159	4P	25	33286	60.74				105	0.90		29	28370	51.77		106	1.05		35	23509	42.90	106	1.30	41	20062	36.61	105	1.50	46	17618	32.15	104	1.70	52	15717	28.68	103	1.90	61	13399	24.45	101	2.30	74	11103	20.26	98	2.70	86	9475			17.29	95	3.20			20	59444			73.96					111	0.80	GK189 GKA189					4P	23	51471	64.04	114			0.90			28	42887	53.36	117	1.10	33	36570	45.50	118			1.30	35	34167	42.51	118	1.40	39	31000	38.57	118	1.55	45	26708	33.23	117	1.75	53	22440	27.92	115	2.10	62	19434	24.18	113	2.30	74	16195	20.15	110	2.60	87	13808	17.18	108	2.80	39	20835	38.02	50	0.80	GK159 GKF159 GKA159 GKAF159	4P	48	17153	31.30	53			1.00					54	15136	27.62	54	1.10					62	13125	23.95			55	1.30	70	11678	21.31	55	1.45			81	10067	18.37	55	1.70	100					8176	14.92	55	2.10	118	6938	12.66	54	2.30	35	34480	42.90	87	0.90	41	29425	36.61	89	1.05	46	25840	32.15	90	1.15	52	23051	28.68	90	1.30	61	19651	24.45	90	1.55	74	16284	20.26	89	1.85			86	13897	17.29			88	2.20																																																																																																																																																																																																																			
28	29241	53.36	137	1.60			33	24934	45.50	134	1.90			35	23296	42.51	134	2.00	39	21136	38.57	134	2.20	62	16041			23.95	48	1.05	132kW							132kW							22	37308	68.08	104			0.80	GK169 GKA169	4P	70	14273			21.31	49	1.10			GK159 GKF159 GKA159 GKAF159	4P			25	33286	60.74	105	0.90				29	28370				51.77	106	1.05				35	23509		42.90	106	1.30		41	20062		36.61	105	1.50	46	17618	32.15	104	1.70	52	15717	28.68	103	1.90	61	13399	24.45	101	2.30	74	11103	20.26	98	2.70	86	9475	17.29	95	3.20	20	59444	73.96	111			0.80	GK189 GKA189	4P			23	51471			64.04					114	0.90				28	42887		53.36	117	1.10	33	36570	45.50	118			1.30	35	34167	42.51	118	1.40	39	31000	38.57			118	1.55	45	26708	33.23	117	1.75	53	22440	27.92	115	2.10	62	19434	24.18	113	2.30	74	16195	20.15	110	2.60	87	13808	17.18	108	2.80	39	20835	38.02	50	0.80	GK159 GKF159 GKA159 GKAF159	4P	48	17153	31.30	53	1.00	54	15136			27.62	54	1.10	62			13125					23.95	55	1.30	70	11678					21.31	55	1.45			81	10067	18.37	55	1.70	100	8176			14.92	55	2.10	118	6938	12.66			54	2.30	35	34480	42.90	87	0.90	41	29425	36.61	89	1.05	46	25840	32.15	90	1.15	52	23051	28.68	90	1.30	61	19651	24.45	90	1.55	74	16284	20.26	89	1.85	86	13897	17.29	88	2.20																																																																																																																																																																																																																																
33	24934	45.50	134	1.90			35	23296	42.51	134	2.00			39	21136	38.57	134	2.20	62	16041	23.95	48	1.05	132kW							132kW							22	37308	68.08	104			0.80	GK169 GKA169	4P	70	14273			21.31			49	1.10			GK159 GKF159 GKA159 GKAF159	4P	25							33286	60.74	105	0.90	29	28370	51.77		106	1.05				35	23509	42.90				106	1.30		41	20062	36.61		105	1.50		46	17618	32.15	104	1.70	52	15717	28.68	103	1.90	61	13399	24.45	101	2.30	74	11103	20.26	98	2.70	86	9475	17.29	95	3.20	20	59444	73.96	111	0.80	GK189 GKA189	4P			23					51471	64.04			114			0.90	28	42887	53.36		117	1.10	33	36570		45.50	118	1.30	35	34167	42.51	118			1.40	39	31000	38.57	118	1.55	45	26708	33.23			117	1.75	53	22440	27.92	115	2.10	62	19434	24.18	113	2.30	74	16195	20.15	110	2.60	87	13808	17.18	108	2.80	39	20835	38.02	50	0.80	GK159 GKF159 GKA159 GKAF159	4P	48	17153	31.30			53	1.00	54	15136	27.62	54	1.10			62	13125	23.95	55			1.30					70	11678	21.31	55	1.45					81	10067	18.37			55	1.70	100	8176	14.92	55	2.10			118	6938	12.66	54	2.30	35	34480	42.90	87	0.90	41	29425	36.61	89	1.05	46	25840	32.15	90	1.15	52	23051	28.68	90	1.30	61	19651	24.45	90	1.55	74	16284	20.26	89	1.85	86	13897	17.29	88	2.20																																																																																																																																																																																																																																					
35	23296	42.51	134	2.00			39	21136	38.57	134	2.20			62	16041	23.95	48	1.05	132kW							132kW							22	37308			68.08	104	0.80	GK169 GKA169	4P			70			14273	21.31			49			1.10	GK159 GKF159 GKA159 GKAF159					4P	25	33286					60.74	105	0.90	29	28370	51.77	106		1.05	35				23509	42.90	106				1.30	41		20062	36.61	105		1.50	46		17618	32.15	104	1.70	52	15717	28.68	103	1.90	61	13399	24.45	101	2.30	74	11103	20.26	98	2.70	86	9475	17.29	95	3.20	20	59444	73.96	111	0.80	GK189 GKA189					4P					23	51471	64.04	114	0.90	28	42887	53.36	117	1.10	33		36570	45.50	118	1.30		35	34167	42.51	118	1.40	39	31000			38.57	118	1.55	45	26708	33.23	117	1.75	53			22440	27.92	115	2.10	62	19434	24.18	113	2.30	74	16195	20.15	110	2.60	87	13808	17.18	108	2.80	39	20835	38.02	50	0.80	GK159 GKF159 GKA159 GKAF159	4P	48			17153	31.30	53			1.00	54	15136	27.62	54	1.10	62			13125	23.95	55	1.30			70					11678	21.31	55	1.45	81					10067	18.37	55			1.70	100	8176	14.92	55	2.10	118	6938	12.66	54	2.30	35	34480	42.90	87	0.90	41	29425	36.61	89	1.05	46	25840	32.15	90	1.15	52	23051	28.68	90	1.30	61	19651	24.45	90	1.55	74	16284	20.26	89	1.85	86	13897	17.29	88	2.20																																																																																																																																																																																																																																								
39	21136	38.57	134	2.20			62	16041	23.95	48	1.05			132kW							132kW							22	37308	68.08	104	0.80	GK169 GKA169	4P			70	14273	21.31					49			1.10	GK159 GKF159 GKA159 GKAF159			4P			25		33286	60.74				105	0.90					29	28370	51.77	106	1.05	35	23509		42.90	106				1.30	41	20062				36.61	105		1.50	46	17618		32.15	104		1.70	52	15717	28.68	103	1.90	61	13399	24.45	101	2.30	74	11103	20.26	98	2.70	86	9475	17.29	95	3.20	20	59444	73.96	111	0.80	GK189 GKA189	4P	23									51471	64.04	114	0.90	28	42887	53.36	117	1.10	33	36570	45.50	118		1.30	35	34167	42.51		118	1.40	39	31000	38.57	118	1.55			45	26708	33.23	117	1.75	53	22440	27.92	115			2.10	62	19434	24.18	113	2.30	74	16195	20.15	110	2.60	87	13808	17.18	108	2.80	39	20835	38.02	50	0.80	GK159 GKF159 GKA159 GKAF159	4P	48			17153			31.30	53	1.00			54	15136	27.62	54	1.10	62	13125			23.95	55	1.30	70			11678					21.31	55	1.45	81	10067					18.37	55	1.70	100	8176	14.92	55	2.10	118	6938	12.66	54	2.30	35	34480	42.90	87	0.90	41	29425	36.61	89	1.05	46	25840	32.15	90	1.15	52	23051	28.68	90	1.30	61	19651	24.45	90	1.55	74	16284	20.26	89	1.85	86	13897	17.29	88	2.20																																																																																																																																																																																																																																											
62	16041	23.95	48	1.05	132kW									132kW							22	37308	68.08	104	0.80	GK169 GKA169	4P	70	14273	21.31	49	1.10					GK159 GKF159 GKA159 GKAF159	4P	25					33286			60.74		105	0.90				29		28370	51.77				106	1.05					35	23509	42.90	106	1.30	41	20062		36.61	105				1.50	46	17618				32.15	104		1.70	52	15717		28.68	103		1.90	61	13399	24.45	101	2.30	74	11103	20.26	98	2.70	86	9475	17.29	95	3.20	20	59444	73.96	111	0.80	GK189 GKA189	4P	23	51471	64.04			114				0.90	28				42887	53.36	117	1.10	33	36570	45.50	118	1.30	35	34167	42.51	118		1.40	39	31000	38.57		118	1.55	45	26708	33.23	117	1.75			53	22440	27.92	115	2.10	62	19434	24.18	113			2.30	74	16195	20.15	110	2.60	87	13808	17.18	108	2.80	39	20835	38.02	50	0.80	GK159 GKF159 GKA159 GKAF159	4P	48	17153	31.30			53			1.00			54	15136	27.62			54	1.10	62	13125	23.95	55	1.30			70	11678	21.31	55			1.45					81	10067	18.37	55	1.70	100	8176			14.92	55	2.10	118	6938	12.66	54	2.30	35	34480	42.90	87	0.90	41	29425	36.61	89	1.05	46	25840	32.15	90	1.15	52	23051	28.68	90	1.30	61	19651	24.45	90	1.55	74	16284	20.26	89	1.85	86	13897	17.29	88	2.20																																																																																																																																																																																																																																																
132kW							132kW																																																																																																																																																																																																																																																																																																																																																																																																																																																																																																																														
22	37308	68.08	104	0.80	GK169 GKA169	4P	70	14273	21.31	49	1.10			GK159 GKF159 GKA159 GKAF159	4P																																																																																																																																																																																																																																																																																																																																																																																																																																																																																																																						
25	33286	60.74	105	0.90			29	28370	51.77	106	1.05					35	23509	42.90	106	1.30	41	20062	36.61	105	1.50			46	17618	32.15	104	1.70			52	15717			28.68			103	1.90	61			13399		24.45	101				2.30		74	11103				20.26	98					2.70	86	9475	17.29	95	3.20	20		59444	73.96		111	0.80	GK189 GKA189	4P	23	51471	64.04	114	0.90	28	42887	53.36	117	1.10	33	36570	45.50	118	1.30	35	34167	42.51	118	1.40	39	31000	38.57	118	1.55	45	26708	33.23	117	1.75	53	22440	27.92	115	2.10			62	19434	24.18			113				2.30	74				16195	20.15	110	2.60	87	13808	17.18	108	2.80	39	20835	38.02	50		0.80	GK159 GKF159 GKA159 GKAF159	4P	48		17153	31.30	53	1.00	54	15136	27.62			54	1.10	62	13125	23.95	55	1.30	70	11678			21.31	55	1.45	81	10067	18.37	55	1.70	100	8176	14.92	55	2.10	118	6938	12.66			54	2.30	35			34480			42.90			87	0.90	41			29425	36.61	89	1.05	46	25840	32.15			90	1.15	52	23051	28.68	90	1.30			61	19651	24.45	90	1.55	74	16284	20.26	89	1.85	86	13897	17.29	88	2.20																																																																																																																																																																																																																																																																																							
29	28370	51.77	106	1.05			35	23509	42.90	106	1.30	41	20062			36.61	105	1.50	46	17618	32.15	104	1.70	52	15717			28.68	103	1.90	61	13399			24.45	101			2.30			74	11103	20.26			98		2.70	86				9475		17.29	95				3.20	20	59444	73.96			111	0.80	GK189 GKA189	4P	23	51471	64.04	114	0.90	28	42887	53.36	117			1.10	33	36570	45.50	118	1.30	35	34167	42.51	118	1.40	39	31000	38.57	118	1.55	45	26708	33.23	117	1.75	53	22440	27.92	115	2.10	62	19434	24.18	113	2.30	74	16195	20.15	110			2.60	87	13808			17.18				108	2.80				39	20835	38.02	50	0.80	GK159 GKF159 GKA159 GKAF159	4P	48	17153	31.30	53	1.00	54		15136			27.62		54	1.10	62	13125	23.95	55	1.30			70	11678	21.31	55	1.45	81	10067	18.37	55			1.70	100	8176	14.92	55	2.10	118	6938	12.66	54	2.30	35	34480	42.90	87	0.90			41	29425	36.61			89			1.05			46	25840	32.15			90	1.15	52	23051	28.68	90	1.30			61	19651	24.45	90	1.55	74	16284	20.26	89	1.85	86	13897	17.29	88	2.20																																																																																																																																																																																																																																																																																																
35	23509	42.90	106	1.30			41	20062	36.61	105	1.50	46	17618			32.15	104	1.70	52	15717	28.68	103	1.90	61	13399			24.45	101	2.30	74	11103			20.26	98			2.70			86	9475	17.29			95		3.20	20				59444		73.96	111	0.80	GK189 GKA189		4P	23	51471	64.04	114	0.90	28	42887			53.36	117	1.10	33	36570	45.50	118	1.30	35			34167	42.51	118	1.40	39	31000	38.57	118	1.55	45	26708	33.23	117	1.75	53	22440	27.92	115	2.10	62	19434	24.18	113	2.30	74	16195	20.15	110	2.60	87	13808	17.18	108	2.80	39			20835	38.02	50			0.80				GK159 GKF159 GKA159 GKAF159	4P				48	17153	31.30	53	1.00			54	15136	27.62	54	1.10	62		13125			23.95		55	1.30	70	11678	21.31	55	1.45			81	10067	18.37	55	1.70	100	8176	14.92	55	2.10	118	6938	12.66	54	2.30	35	34480	42.90	87	0.90	41	29425	36.61	89	1.05	46	25840			32.15	90	1.15			52			23051			28.68	90	1.30			61	19651	24.45	90	1.55	74	16284	20.26	89	1.85	86	13897	17.29	88	2.20																																																																																																																																																																																																																																																																																																									
41	20062	36.61	105	1.50			46	17618	32.15	104	1.70	52	15717			28.68	103	1.90	61	13399	24.45	101	2.30	74	11103			20.26	98	2.70	86	9475			17.29	95			3.20			20	59444	73.96			111		0.80	GK189 GKA189		4P	23	51471	64.04	114	0.90	28		42887		53.36	117	1.10	33	36570	45.50	118			1.30	35	34167	42.51	118	1.40	39	31000	38.57			118	1.55	45	26708	33.23	117	1.75	53	22440	27.92	115	2.10	62	19434	24.18	113	2.30	74	16195	20.15	110	2.60	87	13808	17.18	108	2.80	39	20835	38.02	50	0.80	GK159 GKF159 GKA159 GKAF159	4P	48			17153	31.30	53			1.00									54	15136	27.62	54	1.10			62	13125	23.95	55	1.30	70		11678			21.31		55	1.45	81	10067	18.37	55	1.70	100	8176	14.92	55	2.10	118	6938	12.66	54	2.30	35	34480	42.90	87	0.90	41	29425	36.61	89	1.05	46	25840	32.15	90	1.15	52	23051	28.68	90			1.30	61	19651			24.45			90			1.55	74	16284	20.26	89	1.85	86	13897	17.29	88	2.20																																																																																																																																																																																																																																																																																																																		
46	17618	32.15	104	1.70			52	15717	28.68	103	1.90	61	13399			24.45	101	2.30	74	11103	20.26	98	2.70	86	9475			17.29	95	3.20	20	59444			73.96	111			0.80			GK189 GKA189	4P	23	51471	64.04	114	0.90	28		42887		53.36	117	1.10	33	36570	45.50		118		1.30	35	34167	42.51	118	1.40	39			31000	38.57	118	1.55	45	26708	33.23	117	1.75			53	22440	27.92	115	2.10	62	19434	24.18	113	2.30	74	16195	20.15	110	2.60	87	13808	17.18	108	2.80	39	20835	38.02	50	0.80	GK159 GKF159 GKA159 GKAF159	4P	48	17153	31.30	53	1.00			54			15136	27.62	54			1.10									62	13125	23.95	55	1.30			70	11678	21.31	55	1.45	81	10067	18.37			55	1.70	100	8176	14.92	55	2.10	118	6938	12.66	54	2.30	35	34480	42.90	87	0.90	41	29425	36.61	89	1.05	46	25840	32.15	90	1.15	52	23051	28.68	90	1.30	61	19651	24.45	90	1.55	74			16284	20.26	89			1.85			86	13897	17.29	88	2.20																																																																																																																																																																																																																																																																																																																											
52	15717	28.68	103	1.90			61	13399	24.45	101	2.30	74	11103			20.26	98	2.70	86	9475	17.29	95	3.20	20	59444			73.96	111	0.80	GK189 GKA189	4P			23	51471	64.04	114	0.90	28	42887			53.36	117	1.10	33	36570	45.50		118		1.30	35	34167	42.51	118	1.40		39		31000	38.57	118	1.55	45	26708	33.23			117	1.75	53	22440	27.92	115	2.10	62	19434			24.18	113	2.30	74	16195	20.15	110	2.60	87	13808	17.18	108	2.80	39	20835	38.02	50	0.80	GK159 GKF159 GKA159 GKAF159	4P	48	17153	31.30	53	1.00			54	15136	27.62	54	1.10			62			13125	23.95	55			1.30							70	11678	21.31	55	1.45	81	10067			18.37	55	1.70	100	8176	14.92	55	2.10			118	6938	12.66	54	2.30	35	34480	42.90	87	0.90	41	29425	36.61	89	1.05	46	25840	32.15	90	1.15	52	23051	28.68	90	1.30	61	19651	24.45	90	1.55	74	16284	20.26	89	1.85	86	13897	17.29			88	2.20																																																																																																																																																																																																																																																																																																																																						
61	13399	24.45	101	2.30			74	11103	20.26	98	2.70	86	9475			17.29	95	3.20	20	59444	73.96	111	0.80	GK189 GKA189	4P			23	51471	64.04			114	0.90	28	42887	53.36	117	1.10	33	36570			45.50	118	1.30	35	34167	42.51		118		1.40	39	31000	38.57	118	1.55		45		26708	33.23	117	1.75	53	22440	27.92			115	2.10	62	19434	24.18	113	2.30	74	16195			20.15	110	2.60	87	13808	17.18	108	2.80	39	20835	38.02	50	0.80	GK159 GKF159 GKA159 GKAF159	4P	48	17153	31.30			53	1.00	54	15136	27.62			54	1.10	62	13125	23.95			55			1.30	70	11678			21.31		55	1.45				81	10067	18.37	55	1.70	100	8176			14.92	55	2.10	118	6938	12.66	54	2.30			35	34480	42.90	87	0.90	41	29425	36.61	89	1.05	46	25840	32.15	90	1.15	52	23051	28.68	90	1.30	61	19651	24.45	90	1.55	74	16284	20.26	89	1.85	86	13897	17.29	88	2.20																																																																																																																																																																																																																																																																																																																																													
74	11103	20.26	98	2.70			86	9475	17.29	95	3.20	20	59444	73.96	111	0.80	GK189 GKA189	4P	23	51471	64.04	114	0.90			28	42887	53.36	117	1.10			33	36570	45.50	118	1.30	35	34167	42.51	118			1.40	39	31000	38.57	118	1.55		45		26708	33.23	117	1.75	53	22440		27.92		115	2.10	62	19434	24.18	113	2.30			74	16195	20.15	110	2.60	87	13808	17.18	108			2.80	39	20835	38.02	50	0.80	GK159 GKF159 GKA159 GKAF159	4P	48	17153	31.30	53	1.00			54	15136	27.62			54	1.10	62	13125	23.95			55	1.30	70	11678	21.31			55			1.45	81	10067			18.37	55	1.70	100			8176	14.92	55	2.10	118	6938	12.66	54			2.30	35	34480	42.90	87	0.90	41	29425			36.61	89	1.05	46	25840	32.15	90	1.15	52	23051	28.68	90	1.30	61	19651	24.45	90	1.55	74	16284	20.26	89	1.85	86	13897	17.29	88	2.20																																																																																																																																																																																																																																																																																																																																																				
86	9475	17.29	95	3.20			20	59444	73.96	111	0.80	GK189 GKA189	4P	23	51471	64.04			114	0.90	28	42887	53.36			117	1.10	33	36570	45.50			118	1.30	35	34167	42.51	118	1.40	39	31000			38.57	118	1.55	45	26708	33.23		117		1.75	53	22440	27.92	115	2.10		62		19434	24.18	113	2.30	74	16195	20.15			110	2.60	87	13808	17.18	108	2.80	39	20835			38.02	50	0.80	GK159 GKF159 GKA159 GKAF159	4P	48			17153	31.30	53	1.00	54			15136	27.62	54			1.10	62	13125	23.95	55			1.30	70	11678	21.31	55			1.45			81	10067	18.37	55	1.70	100	8176	14.92	55			2.10	118	6938	12.66	54	2.30	35	34480			42.90	87	0.90	41	29425	36.61	89	1.05			46	25840	32.15	90	1.15	52	23051	28.68	90	1.30	61	19651	24.45	90	1.55	74	16284	20.26	89	1.85	86	13897	17.29	88	2.20																																																																																																																																																																																																																																																																																																																																																							
20	59444	73.96	111	0.80	GK189 GKA189	4P	23	51471	64.04	114	0.90			28	42887	53.36			117	1.10	33	36570	45.50			118	1.30	35	34167	42.51			118	1.40	39	31000	38.57	118	1.55	45	26708			33.23	117	1.75	53	22440	27.92		115		2.10	62	19434	24.18	113	2.30		74		16195	20.15	110	2.60	87	13808	17.18			108	2.80	39	20835	38.02	50	0.80	GK159 GKF159 GKA159 GKAF159	4P			48	17153	31.30			53			1.00	54	15136	27.62	54			1.10	62	13125			23.95	55	1.30	70	11678			21.31	55	1.45	81	10067			18.37	55	1.70	100	8176	14.92	55	2.10	118	6938	12.66	54			2.30	35	34480	42.90	87	0.90	41	29425			36.61	89	1.05	46	25840	32.15	90	1.15			52	23051	28.68	90	1.30	61	19651	24.45	90	1.55	74	16284	20.26	89	1.85	86	13897	17.29	88	2.20																																																																																																																																																																																																																																																																																																																																																												
23	51471	64.04	114	0.90			28	42887	53.36	117	1.10			33	36570	45.50			118	1.30	35	34167	42.51			118	1.40	39	31000	38.57			118	1.55	45	26708	33.23	117	1.75	53	22440			27.92	115	2.10	62	19434	24.18		113		2.30	74	16195	20.15	110	2.60		87		13808	17.18	108	2.80	39	20835	38.02			50	0.80	GK159 GKF159 GKA159 GKAF159	4P	48	17153	31.30					53	1.00	54			15136			27.62	54	1.10	62	13125			23.95	55	1.30			70	11678	21.31	55	1.45			81	10067	18.37	55	1.70			100	8176	14.92	55	2.10	118	6938	12.66	54	2.30	35	34480			42.90	87	0.90	41	29425	36.61	89	1.05			46	25840	32.15	90	1.15	52	23051	28.68	90	1.30	61	19651	24.45	90	1.55	74	16284	20.26	89	1.85	86	13897	17.29	88	2.20																																																																																																																																																																																																																																																																																																																																																																	
28	42887	53.36	117	1.10			33	36570	45.50	118	1.30			35	34167	42.51			118	1.40	39	31000	38.57			118	1.55	45	26708	33.23			117	1.75	53	22440	27.92	115	2.10	62	19434			24.18	113	2.30	74	16195	20.15		110		2.60	87	13808	17.18	108	2.80		39		20835	38.02	50	0.80	GK159 GKF159 GKA159 GKAF159	4P	48			17153	31.30			53	1.00	54					15136	27.62	54			1.10			62	13125	23.95	55	1.30			70	11678	21.31			55	1.45	81	10067	18.37			55	1.70	100	8176	14.92			55	2.10	118	6938	12.66	54	2.30	35	34480	42.90	87	0.90			41	29425	36.61	89	1.05	46	25840	32.15	90	1.15	52	23051	28.68	90	1.30	61	19651	24.45	90	1.55	74	16284	20.26	89	1.85	86	13897	17.29	88	2.20																																																																																																																																																																																																																																																																																																																																																																						
33	36570	45.50	118	1.30			35	34167	42.51	118	1.40			39	31000	38.57			118	1.55	45	26708	33.23			117	1.75	53	22440	27.92			115	2.10	62	19434	24.18	113	2.30	74	16195			20.15	110	2.60	87	13808	17.18		108		2.80	39	20835	38.02	50	0.80		GK159 GKF159 GKA159 GKAF159		4P	48	17153	31.30			53			1.00	54			15136	27.62	54			1.10	62	13125	23.95	55			1.30			70	11678	21.31	55	1.45			81	10067	18.37			55	1.70	100	8176	14.92			55	2.10	118	6938	12.66			54	2.30	35	34480	42.90	87	0.90	41	29425	36.61	89	1.05	46	25840	32.15	90	1.15	52	23051	28.68	90	1.30	61	19651	24.45	90	1.55	74	16284	20.26	89	1.85	86	13897	17.29	88	2.20																																																																																																																																																																																																																																																																																																																																																																													
35	34167	42.51	118	1.40			39	31000	38.57	118	1.55			45	26708	33.23			117	1.75	53	22440	27.92			115	2.10	62	19434	24.18			113	2.30	74	16195	20.15	110	2.60	87	13808			17.18	108	2.80	39	20835	38.02		50		0.80	GK159 GKF159 GKA159 GKAF159	4P	48	17153	31.30					53	1.00	54			15136	27.62	54	1.10	62			13125	23.95	55			1.30	70	11678	21.31	55			1.45			81	10067	18.37	55	1.70			100	8176	14.92			55	2.10	118	6938	12.66			54	2.30	35	34480	42.90	87	0.90	41	29425	36.61	89	1.05	46	25840	32.15	90	1.15	52	23051	28.68	90	1.30	61	19651	24.45	90	1.55	74	16284	20.26	89	1.85	86	13897	17.29	88	2.20																																																																																																																																																																																																																																																																																																																																																																																				
39	31000	38.57	118	1.55			45	26708	33.23	117	1.75			53	22440	27.92			115	2.10	62	19434	24.18			113	2.30	74	16195	20.15			110	2.60	87	13808	17.18	108	2.80	39	20835			38.02	50	0.80	GK159 GKF159 GKA159 GKAF159	4P	48		17153		31.30			53	1.00	54	15136		27.62		54	1.10	62			13125	23.95	55	1.30	70			11678	21.31	55			1.45	81	10067	18.37	55			1.70			100	8176	14.92	55	2.10			118	6938	12.66			54	2.30	35	34480	42.90	87	0.90	41	29425	36.61	89	1.05	46	25840	32.15	90	1.15	52	23051	28.68	90	1.30	61	19651	24.45	90	1.55	74	16284	20.26	89	1.85	86	13897	17.29	88	2.20																																																																																																																																																																																																																																																																																																																																																																																											
45	26708	33.23	117	1.75			53	22440	27.92	115	2.10			62	19434	24.18			113	2.30	74	16195	20.15			110	2.60	87	13808	17.18			108	2.80	39	20835	38.02	50	0.80	GK159 GKF159 GKA159 GKAF159	4P			48	17153	31.30			53	1.00	54	15136	27.62			54	1.10	62	13125		23.95		55	1.30	70			11678	21.31	55	1.45	81			10067	18.37	55			1.70	100	8176	14.92	55			2.10			118	6938	12.66	54	2.30			35	34480	42.90	87	0.90	41	29425	36.61	89	1.05	46	25840	32.15	90	1.15	52	23051	28.68	90	1.30	61	19651	24.45	90	1.55	74	16284	20.26	89	1.85	86	13897	17.29	88	2.20																																																																																																																																																																																																																																																																																																																																																																																																		
53	22440	27.92	115	2.10			62	19434	24.18	113	2.30			74	16195	20.15			110	2.60	87	13808	17.18			108	2.80	39	20835	38.02			50	0.80	GK159 GKF159 GKA159 GKAF159	4P	48	17153	31.30			53	1.00	54	15136	27.62			54	1.10	62	13125	23.95			55	1.30	70	11678		21.31		55	1.45	81			10067	18.37	55	1.70	100			8176	14.92	55			2.10	118	6938	12.66	54			2.30			35	34480	42.90	87	0.90	41	29425	36.61	89	1.05	46	25840	32.15	90	1.15	52	23051	28.68	90	1.30	61	19651	24.45	90	1.55	74	16284	20.26	89	1.85	86	13897	17.29	88	2.20																																																																																																																																																																																																																																																																																																																																																																																																									
62	19434	24.18	113	2.30			74	16195	20.15	110	2.60			87	13808	17.18			108	2.80	39	20835	38.02			50	0.80	GK159 GKF159 GKA159 GKAF159	4P	48	17153	31.30	53	1.00			54	15136	27.62			54	1.10	62	13125	23.95			55	1.30	70	11678	21.31			55	1.45	81	10067		18.37		55	1.70	100			8176	14.92	55	2.10	118			6938	12.66	54			2.30	35	34480	42.90	87			0.90	41	29425	36.61	89	1.05	46	25840	32.15	90	1.15	52	23051	28.68	90	1.30	61	19651	24.45	90	1.55	74	16284	20.26	89	1.85	86	13897	17.29	88	2.20																																																																																																																																																																																																																																																																																																																																																																																																																
74	16195	20.15	110	2.60			87	13808	17.18	108	2.80			39	20835	38.02			50	0.80	GK159 GKF159 GKA159 GKAF159	4P	48	17153	31.30	53	1.00			54	15136	27.62	54	1.10			62	13125	23.95			55	1.30	70	11678	21.31			55	1.45	81	10067	18.37			55	1.70	100	8176		14.92		55	2.10	118			6938	12.66	54	2.30	35			34480	42.90	87			0.90	41	29425	36.61	89	1.05	46	25840	32.15	90	1.15	52	23051	28.68	90	1.30	61	19651	24.45	90	1.55	74	16284	20.26	89	1.85	86	13897	17.29	88	2.20																																																																																																																																																																																																																																																																																																																																																																																																																							
87	13808	17.18	108	2.80			39	20835	38.02	50	0.80			GK159 GKF159 GKA159 GKAF159	4P	48	17153	31.30	53	1.00			54	15136	27.62	54	1.10			62	13125	23.95	55	1.30			70	11678	21.31			55	1.45	81	10067	18.37			55	1.70	100	8176	14.92			55	2.10	118	6938		12.66		54	2.30	35			34480	42.90	87	0.90	41			29425	36.61	89	1.05	46	25840	32.15	90	1.15	52	23051	28.68	90	1.30	61	19651	24.45	90	1.55	74	16284	20.26	89	1.85	86	13897	17.29	88	2.20																																																																																																																																																																																																																																																																																																																																																																																																																														
39	20835	38.02	50	0.80			GK159 GKF159 GKA159 GKAF159	4P	48	17153	31.30	53	1.00			54	15136	27.62	54	1.10			62	13125	23.95	55	1.30			70	11678	21.31	55	1.45			81	10067	18.37			55	1.70	100	8176	14.92			55	2.10	118	6938	12.66			54	2.30	35	34480		42.90		87	0.90	41			29425	36.61	89	1.05	46	25840	32.15	90	1.15	52	23051	28.68	90	1.30	61	19651	24.45	90	1.55	74	16284	20.26	89	1.85	86	13897	17.29	88	2.20																																																																																																																																																																																																																																																																																																																																																																																																																																					
48	17153	31.30	53	1.00	54	15136			27.62	54	1.10	62	13125			23.95	55	1.30	70	11678			21.31	55	1.45	81	10067			18.37	55	1.70	100	8176			14.92	55	2.10			118	6938	12.66	54	2.30			35	34480	42.90	87	0.90			41	29425	36.61	89		1.05		46	25840	32.15	90	1.15	52	23051	28.68	90	1.30	61	19651	24.45	90	1.55	74	16284	20.26	89	1.85	86	13897	17.29	88	2.20																																																																																																																																																																																																																																																																																																																																																																																																																																														
54	15136	27.62	54	1.10	62	13125			23.95	55	1.30	70	11678			21.31	55	1.45	81	10067			18.37	55	1.70	100	8176			14.92	55	2.10	118	6938			12.66	54	2.30			35	34480	42.90	87	0.90			41	29425	36.61	89	1.05			46	25840	32.15	90	1.15	52	23051	28.68	90	1.30	61	19651	24.45	90	1.55	74	16284	20.26	89	1.85	86	13897	17.29	88	2.20																																																																																																																																																																																																																																																																																																																																																																																																																																																					
62	13125	23.95	55	1.30	70	11678			21.31	55	1.45	81	10067			18.37	55	1.70	100	8176			14.92	55	2.10	118	6938			12.66	54	2.30	35	34480			42.90	87	0.90			41	29425	36.61	89	1.05			46	25840	32.15	90	1.15	52	23051	28.68	90	1.30	61	19651	24.45	90	1.55	74	16284	20.26	89	1.85	86	13897	17.29	88	2.20																																																																																																																																																																																																																																																																																																																																																																																																																																																												
70	11678	21.31	55	1.45	81	10067			18.37	55	1.70	100	8176			14.92	55	2.10	118	6938			12.66	54	2.30	35	34480			42.90	87	0.90	41	29425			36.61	89	1.05			46	25840	32.15	90	1.15	52	23051	28.68	90	1.30	61	19651	24.45	90	1.55	74	16284	20.26	89	1.85	86	13897	17.29	88	2.20																																																																																																																																																																																																																																																																																																																																																																																																																																																																			
81	10067	18.37	55	1.70	100	8176			14.92	55	2.10	118	6938			12.66	54	2.30	35	34480			42.90	87	0.90	41	29425			36.61	89	1.05	46	25840			32.15	90	1.15	52	23051	28.68	90	1.30	61	19651	24.45	90	1.55	74	16284	20.26	89	1.85	86	13897	17.29	88	2.20																																																																																																																																																																																																																																																																																																																																																																																																																																																																										
100	8176	14.92	55	2.10	118	6938			12.66	54	2.30	35	34480			42.90	87	0.90	41	29425			36.61	89	1.05	46	25840			32.15	90	1.15	52	23051	28.68	90	1.30	61	19651	24.45	90	1.55	74	16284	20.26	89	1.85	86	13897	17.29	88	2.20																																																																																																																																																																																																																																																																																																																																																																																																																																																																																	
118	6938	12.66	54	2.30	35	34480			42.90	87	0.90	41	29425			36.61	89	1.05	46	25840			32.15	90	1.15	52	23051	28.68	90	1.30	61	19651	24.45	90	1.55	74	16284	20.26	89	1.85	86	13897	17.29	88	2.20																																																																																																																																																																																																																																																																																																																																																																																																																																																																																								
35	34480	42.90	87	0.90	41	29425			36.61	89	1.05	46	25840			32.15	90	1.15	52	23051	28.68	90	1.30	61	19651	24.45	90	1.55	74	16284	20.26	89	1.85	86	13897	17.29	88	2.20																																																																																																																																																																																																																																																																																																																																																																																																																																																																																															
41	29425	36.61	89	1.05	46	25840			32.15	90	1.15	52	23051	28.68	90	1.30	61	19651	24.45	90	1.55	74	16284	20.26	89	1.85	86	13897	17.29	88	2.20																																																																																																																																																																																																																																																																																																																																																																																																																																																																																																						
46	25840	32.15	90	1.15	52	23051	28.68	90	1.30	61	19651	24.45	90	1.55	74	16284	20.26	89	1.85	86	13897	17.29	88	2.20																																																																																																																																																																																																																																																																																																																																																																																																																																																																																																													
52	23051	28.68	90	1.30	61	19651	24.45	90	1.55	74	16284	20.26	89	1.85	86	13897	17.29	88	2.20																																																																																																																																																																																																																																																																																																																																																																																																																																																																																																																		
61	19651	24.45	90	1.55	74	16284	20.26	89	1.85	86	13897	17.29	88	2.20																																																																																																																																																																																																																																																																																																																																																																																																																																																																																																																							
74	16284	20.26	89	1.85	86	13897	17.29	88	2.20																																																																																																																																																																																																																																																																																																																																																																																																																																																																																																																												
86	13897	17.29	88	2.20																																																																																																																																																																																																																																																																																																																																																																																																																																																																																																																																	

GK 系列斜齿轮-锥齿轮减速电机

选型参数表

Selection Table

(恒功率) 160kW-200kW

(Constant Power) 160kW-200kW

n _a [r/min]	M _a [Nm]	i	F _{Ra} [kN]	f _B	机型号 Type size	极数 Pole	n _a [r/min]	M _a [Nm]	i	F _{Ra} [kN]	f _B	机型号 Type size	极数 Pole																																																																
160kW							200kW																																																																						
28	51985	53.36	103	0.90	GK189 GKA189	4P	33	55409	45.50	90	0.85	GK189 GKA189	4P																																																																
33	44327	45.50	106	1.05			45	32374	33.23	108	1.45			53	27200	27.92	108	1.75	62	23557	24.18	107	1.90	74	19631	20.15	105	2.10	87	16737	17.18	103	2.30	41	35666	36.61	78	0.85	GK169 GKA169	4P	45	40467	33.23	97	1.15	GK189 GKA189	4P	61	23820	24.45	83	1.25	74	19738	20.26	83	1.55	86	16844	17.29	82	1.80	62	29446	24.18	99	1.40	74	24538	20.15	98	1.50	87	20922	17.18	97	1.70
45	32374	33.23	108	1.45			53	27200	27.92	108	1.75			62	23557	24.18	107	1.90	74	19631	20.15	105	2.10	87	16737	17.18	103	2.30	41	35666	36.61	78	0.85	GK169 GKA169	4P	45	40467	33.23			97	1.15	GK189 GKA189	4P	61			23820	24.45	83	1.25	74	19738	20.26	83	1.55	86	16844	17.29	82	1.80	62	29446	24.18	99	1.40	74	24538	20.15	98	1.50	87	20922	17.18	97	1.70	
53	27200	27.92	108	1.75			62	23557	24.18	107	1.90			74	19631	20.15	105	2.10	87	16737	17.18	103	2.30	41	35666	36.61	78	0.85	GK169 GKA169	4P	45	40467	33.23			97	1.15	GK189 GKA189			4P	61			23820			24.45	83	1.25	74	19738	20.26	83	1.55	86	16844	17.29	82	1.80	62	29446	24.18	99	1.40	74	24538	20.15	98	1.50	87	20922	17.18	97	1.70		
62	23557	24.18	107	1.90			74	19631	20.15	105	2.10			87	16737	17.18	103	2.30	41	35666	36.61	78	0.85	GK169 GKA169	4P	45	40467	33.23			97	1.15	GK189 GKA189			4P	61					23820			24.45			83	1.25	74	19738	20.26	83	1.55	86	16844	17.29	82	1.80	62	29446	24.18	99	1.40	74	24538	20.15	98	1.50	87	20922	17.18	97	1.70			
74	19631	20.15	105	2.10			87	16737	17.18	103	2.30			41	35666	36.61	78	0.85	GK169 GKA169	4P	45	40467	33.23			97	1.15	GK189 GKA189			4P	61					23820		24.45	83		1.25			74			19738	20.26	83	1.55	86	16844	17.29	82	1.80	62	29446	24.18	99	1.40	74	24538	20.15	98	1.50	87	20922	17.18	97	1.70						
87	16737	17.18	103	2.30																																																																									
41	35666	36.61	78	0.85	GK169 GKA169	4P	45	40467	33.23	97	1.15	GK189 GKA189	4P																																																																
61	23820	24.45	83	1.25			74	19738	20.26	83	1.55			86	16844	17.29	82	1.80			62	29446	24.18	99	1.40	74	24538		20.15	98		1.50		87	20922		17.18	97	1.70																																						
74	19738	20.26	83	1.55			86	16844	17.29	82	1.80			62	29446	24.18	99	1.40	74	24538	20.15	98	1.50	87	20922	17.18	97		1.70																																																
86	16844	17.29	82	1.80			62	29446	24.18	99	1.40			74	24538	20.15	98	1.50	87	20922	17.18	97	1.70																																																						
62	29446	24.18	99	1.40																																																																									
74	24538	20.15	98	1.50																																																																									
87	20922	17.18	97	1.70																																																																									

选型参数表

(恒转矩) 200Nm-820Nm

Selection Table

(Constant Torque) 200Nm-820Nm

M _{amax} [Nm]	n _a [r/min]	i	F _{Ra} [kN]	机型号 Type size	P [kW]/4P	M _{amax} [Nm]	n _a [r/min]	i	F _{Ra} [kN]	机型号 Type size	P [kW]/4P	
200	0.19	6832	5.4	GK39R19 GKF39R19 GKA39R19 GKAF39R19	0.12	400	3.5	375	5.6	GK49R39	0.25	
	0.22	5922	5.4				4.1	327	5.6	GKF49R39		
	0.24	5491	5.4				4.6	289	5.6	GKA49R39		
	0.28	4759	5.4						GKAF49R39			
	0.31	4160	5.4				5.2	256	5.6	GK49R39	0.37	
	0.36	3645	5.4				5.9	225	5.6	GKF49R39		
	0.41	3205	5.4				6.7	198	5.6	GKA49R39		
	0.47	2801	5.4						GKAF49R39			
	0.53	2454	5.4				8.1	171	5.6	GK49R39	0.55	
	0.60	2166	5.4				9.1	153	5.6	GKF49R39		
	0.69	1892	5.4	11	131		5.6	GKA49R39				
	0.79	1660	5.4				GKAF49R39					
	0.89	1466	5.4	GK39R19 GKF39R19 GKA39R19 GKAF39R19	0.12		600	0.11	12169	7.2	GK59R39 GKF59R39 GKA59R39 GKAF59R39	0.12
	1.02	1288	5.4					0.12	11162	7.2		
	1.15	1136	5.4					0.14	9503	7.2		
	1.32	996	5.4					0.15	8547	7.2		
	1.50	876	5.4					0.18	7277	7.2		
	1.72	761	5.4					0.2	6478	7.2		
	1.95	671	5.4					0.23	5662	7.2		
	2.24	585	5.4					0.26	5033	7.2		
2.56	512	5.4	0.3			4340		7.2				
2.90	451	5.4	0.34			3854		7.2				
3.31	396	5.4	0.39	3390	7.2							
3.79	346	5.4	0.45	2924	7.2							
4.31	304	5.4	0.51	2593	7.2							
4.91	267	5.4	0.58	2249	7.2							
5.60	234	5.4	0.66	1986	7.2							
6.39	205	5.4	0.75	1743	7.2							
7.3	181	5.4	0.85	1539	7.2							
8.3	160	5.4	0.97	1354	7.2							
9.8	136	5.4	1.1	1174	7.2							
10.5	127	5.4	1.3	1036	7.2							
12	110	5.4	1.4	906	7.2							
14	96	5.4	1.6	806	7.2							
400	0.13	10138	5.6	GK39R19 GKF39R19 GKA39R19 GKAF39R19	0.18	800	1.9	699	7.2	GK59R39 GKF59R39 GKA59R39 GKAF59R39	0.18	
	0.15	8534	5.6				2.1	615	7.2			
	0.17	7662	5.6				2.4	544	7.2			
	0.19	6826	5.6				2.8	473	7.2			
	0.22	5983	5.6				3.2	421	7.2			
	0.25	5158	5.6						GKAF59R39			
	0.28	4601	5.6				3.7	362	7.2	GK59R39	0.37	
	0.33	3940	5.6				4.2	319	7.2	GKF59R39		
	0.38	3477	5.6				4.8	280	7.2	GKA59R39		
	0.43	3043	5.6						GKAF59R39			
	0.48	2732	5.6	5.7	246		7.2	GK59R39	0.55			
	0.56	2354	5.6	6.5	215		7.2	GKF59R39				
	0.63	2063	5.6	7.2	192		7.2	GKA59R39				
	0.72	1819	5.6				GKAF59R39					
	0.83	1586	5.6	8.4	166		7.2	GK59R39	0.75			
	0.94	1388	5.6	9.6	145		7.2	GKF59R39				
	1.1	1222	5.6	11	129		7.2	GKA59R39				
	1.2	1097	5.6				GKAF59R39					
	1.4	945	5.6	13	111		7.2	GK59R39	1.1			
	1.6	831	5.6	14	97		7.2	GKF59R39				
1.8	718	5.6			GKAF59R39							
2.1	639	5.6	GK49R39 GKF49R39 GKA49R39 GKAF49R39	0.12	820	0.11	12139	10	GK69R39 GKF69R39 GKA69R39 GKAF69R39	0.12		
2.4	552	5.6				0.12	11134	10				
2.6	495	5.6				0.14	9479	10				
3.1	426	5.6				0.16	8173	10				

GK 系列斜齿轮-锥齿轮减速电机

选型参数表

Selection Table

(恒转矩) 820Nm-2700Nm

(Constant Torque) 820Nm-2700Nm

M _{amax} [Nm]	n _a [r/min]	i	F _{Ra} [kN]	机型号 Type size	P [kW]/4P	M _{amax} [Nm]	n _a [r/min]	i	F _{Ra} [kN]	机型号 Type size	P [kW]/4P		
820	0.18	7259	10	GK69R39 GKF69R39 GKA69R39 GKAF69R39	0.12	1550	1.4	920	15	GK79R39 GKF79R39 GKA79R39 GKAF79R39	0.37		
	0.2	6462	10				1.6	812	15				
	0.23	5648	10				1.9	706	15				
	0.27	4846	10				2.2	620	15				
	0.3	4329	10				2.5	550	15	0.55			
	0.35	3750	10				2.9	483	15				
	0.4	3315	10				3.3	426	15				
	0.45	2917	10				3.8	366	15	0.75			
	0.52	2532	10				4.3	326	15				
	0.58	2244	10				4.8	289	15	1.1			
	0.66	1981	10	5.6	251		15						
	0.75	1739	10	GK69R39 GKF69R39 GKA69R39 GKAF69R39	0.12		2700	0.09	14828	26	GK89R59 GKF89R59 GKA89R59 GKAF89R59	0.12	
	0.85	1536	10					0.10	13168	26			
	0.97	1351	10					0.11	11736	26			
	1.1	1171	10	0.13	10217			26					
	1.3	1034	10	0.14	9073			26	0.18				
	1.5	903	10	0.17	7854			26					
	1.7	793	10	0.19	6832			26					
	1.9	697	10	0.22	5930			26	0.25				
	2.2	613	10	0.25	5239			26					
	2.5	542	10	0.29	4562			26					
	2.8	471	10	0.32	4037			26					
	3.2	420	10	0.36	3609			26	0.37				
	3.9	361	10	0.42	3106			26					
4.3	323	10	0.48	2728	26								
5	279	10	GK69R39 GKF69R39 GKA69R39 GKAF69R39	0.25	2700	0.56		2371	26	GK89R59 GKF89R59 GKA89R59 GKAF89R59	0.18		
5.7	246	10				0.64		2087	26				
6.4	217	10				0.72		1854	26				
7.3	191	10	0.80	1658		26							
1550	0.09	15248	15	GK79R39 GKF79R39 GKA79R39 GKAF79R39		0.12		2700	0.89	1415	26	GK89R59 GKF89R59 GKA89R59 GKAF89R59	0.25
	0.09	13986	15						0.94	1415	26		
	0.11	11907	15						1.08	1229	26		
	0.13	10176	15						1.3	1078	26		
	0.15	8774	15						1.5	951	26	0.37	
	0.17	7497	15						1.7	837	26		
	0.2	6579	15				1.9		726	26			
	0.23	5751	15				2.2		638	26	0.55		
	0.26	5068	15				2.5		562	26			
	0.29	4471	15				3.0		474	26	0.75		
	0.33	3945	15				3.3		426	26			
	0.38	3470	15				3.8		373	26			
	0.45	2890	15	4.2		330	26		1.1				
	0.48	2706	15	4.9		293	26						
	0.56	2360	15	GK79R39 GKF79R39 GKA79R39 GKAF79R39		0.18	2700		5.7	250	26	GK89R59 GKF89R59 GKA89R59 GKAF89R59	0.25
	0.64	2041	15						6.1	236	26		
	0.74	1764	15						7.1	201	26		
	0.87	1508	15	1.1		1382			15	0.18			
	1.1	1213	15	1.3		1048			15				
	1.3	1048	15	1.1		1213			15				

选型参数表
(恒转矩) 4300Nm-13000Nm
Selection Table
(Constant Torque) 4300Nm-13000Nm

M_{amax} [Nm]	n_a [r/min]	i	F_{Ra} [kN]	机型号 Type size	P [kW]/4P	M_{amax} [Nm]	n_a [r/min]	i	F_{Ra} [kN]	机型号 Type size	P [kW]/4P
4300	0.07	18091	38		0.12	8000				GK109R79	0.18
	0.08	16666	38				GKF109R79				
	0.09	14896	38				GKA109R79				
	0.10	13183	38	GK99R59			GKAF109R79				
	0.11	11677	38	GKF99R59			GK109R79				
	0.13	10317	38	GKA99R59			GKF109R79	0.25			
	0.14	9083	38	GKAF99R59			GKA109R79				
	0.16	8055	38				GKAF109R79				
	0.19	6969	38				GK109R79				
	0.22	6027	38	GK99R59	GKF109R79		0.37				
	0.24	5392	38	GKF99R59	GKA109R79						
	0.28	4669	38	GKA99R59	GKAF109R79						
	0.32	4081	38	GKAF99R59	GK109R79						
	0.37	3583	38	GK99R59	GKF109R79		0.55				
	0.43	3108	38	GKF99R59	GKA109R79						
			38	GKA99R59	GKAF109R79						
	0.48	2756	38	GK99R59	GKF99R59		0.37				
			38	GKA99R59	GK109R79						
			38	GKAF99R59	GKF109R79			0.75			
	0.55	2419	38	GK99R59	GKA109R79						
	0.63	2123	38	GKF99R59	GKAF109R79						
		38	GKA99R59	GK109R79	1.1						
		38	GKAF99R59	GKF109R79							
		38		GKA109R79							
0.75	1856	38	GK99R59	GKF109R79	0.55						
0.86	1625	38	GKF99R59	GKA109R79							
0.97	1430	38	GKA99R59	GKAF109R79							
1.1	1261	38	GKAF99R59	GK109R79	1.5						
		38	GK99R59	GKF109R79							
		38	GKF99R59	GKA109R79							
1.3	1102	38	GK99R59	GKF109R79	0.75						
1.5	957	38	GKA99R59	GKAF109R79							
		38	GKAF99R59	GK109R79		2.2					
1.6	855	38	GK99R59	GKF109R79							
1.9	743	38	GKF99R59	GKA109R79							
2.2	651	38	GKA99R59	GKAF109R79	1.1						
		38	GKAF99R59	GK109R79							
		38		GKF109R79							
2.4	573	38	GK99R59	GKA109R79	1.5						
2.8	504	38	GKF99R59	GKAF109R79							
		38	GKA99R59	GK109R79		4					
		38	GKAF99R59	GKF109R79							
3.3	437	38	GK99R59	GKA109R79							
3.7	382	38	GKF99R59	GKAF109R79	2.2						
4.2	342	38	GKA99R59	GK109R79							
		38	GKAF99R59	GKF109R79							
4.7	305	38	GK99R59	GKA109R79	3						
5.5	258	38	GKF99R59	GKAF109R79							
6.2	232	38	GKA99R59	GK109R79							
		38	GKAF99R59	GKF109R79	5.5						
		38		GKA109R79							
		38		GKAF109R79							
7.2	199	38	GK99R59	GKA109R79	4						
		38	GKF99R59	GK109R79							
		38	GKAF99R59	GKF109R79							
8000				GK109R79	0.12	0.07	17550	75		GK129R79	0.18
	0.09	14311	62	GKF109R79		GKF129R79					
	0.11	12211	62	GKA109R79		GKA129R79					
			62	GKAF109R79		GKAF129R79					
			62			GK129R79	0.25				
			62			GKF129R79					
			62			GKA129R79					
			62			GKAF129R79	0.37				
			62			GK129R79					
			62			GKF129R79					
			62			GKA129R79					
		62		GKAF129R79							
		62		GK129R79	0.37						
		62		GKF129R79							
		62		GKA129R79							
		62		GKAF129R79							

GK 系列斜齿轮-锥齿轮减速电机

选型参数表

Selection Table

(恒转矩) 13000Nm-18000Nm

(Constant Torque) 13000Nm-18000Nm

M _{amax} [Nm]	n _a [r/min]	i	F _{Ra} [kN]	机型号 Type size	P [kW]/4P	M _{amax} [Nm]	n _a [r/min]	i	F _{Ra} [kN]	机型号 Type size	P [kW]/4P	
13000	0.24	5804	75	GK129R79	0.55	18000	0.12	11368	107	GK159R99	0.55	
	0.28	5027	75	GKF129R79			0.14	10114	107	GKF159R99		
	0.31	4423	75	GKA129R79			0.16	8717	107	GKA159R99		
	0.36	3889	75	GKAF129R79			0.18	7734	107	GKAF159R99		
				GK129R79	0.75			0.28	5074	107	GK159R99	1.1
	0.42	3311	75	GKF129R79			0.31	4514	107	GKF159R99		
	0.46	3009	75	GKA129R79			0.35	3979	107	GKA159R99		
				GKAF129R79	0.40		3540	107	GKAF159R99			
	0.54	2607	75	GK129R79	1.1		0.46	3051	107	GK159R99	1.5	
	0.62	2268	75	GKF129R79			0.54	2610	107	GKF159R99		
				GKA129R79	1.1		0.60	2323	107	GKA159R99	2.2	
				GKAF129R79			0.70	2029	107	GKAF159R99		
				GK129R79	1.5		0.79	1805	107	GKF159R99	2.2	
				GKF129R79			0.86	1659	107	GKA159R99		
				GKA129R79	2.2		1.05	1365	107	GKAF159R99	3	
				GKAF129R79			1.2	1229	107	GK159R99		
				GK129R79	3		1.3	1093	107	GKF159R99	4	
				GKF129R79			1.5	942	107	GKA159R99		
				GKA129R79	4		1.7	853	107	GKAF159R99	5.5	
				GKAF129R79			1.9	756	107	GK159R99		
				GK129R79	5.5		2.2	661	107	GKF159R99	7.5	
				GKF129R79			2.5	567	107	GKA159R99		
				GKA129R79	4					GKAF159R99	7.5	
				GKAF129R79			2.9	504	107	GK159R99		
			GK129R89	5.5	3.3	434	107	GKF159R99	11			
			GKF129R89		3.8	379	107	GKA159R99				
			GKA129R89	7.5	4.3	333	107	GKAF159R99	7.5			
			GKAF129R89		5.0	291	107	GK159R99				
			GK129R89	7.5				GKF159R99	11			
			GKF129R89		3.7	385	107	GKAF159R99				
			GKA129R89	7.5	4.4	325	107	GK159R109	7.5			
			GKAF129R89		4.9	299	107	GKF159R109				
			GK129R89	7.5				GKA159R109	11			
			GKF129R89		5.8	253	107	GKAF159R109				
			GKA129R89	0.55	6.3	230	107	GK159R109	15			
			GKAF129R89		6.9	213	107	GKF159R109				
			GK129R89	0.55				GKA159R109	15			
			GKF129R89		5.7	254	75	GKAF159R89				
			GKA129R89	0.55				GK159R99	0.55			
			GKAF129R89		0.08	17680	107	GKF159R99				
			GK129R99	0.55	0.09	15730	107	GKA159R99	0.55			
			GKF129R99		0.09	14721	107	GKAF159R99				
			GKA129R99	0.55	0.11	13097	107	GK159R99	0.55			
			GKAF129R99					GKF159R99				

选型参数表
(恒转矩) 32000Nm-50000Nm
Selection Table
(Constant Torque) 32000Nm-50000Nm

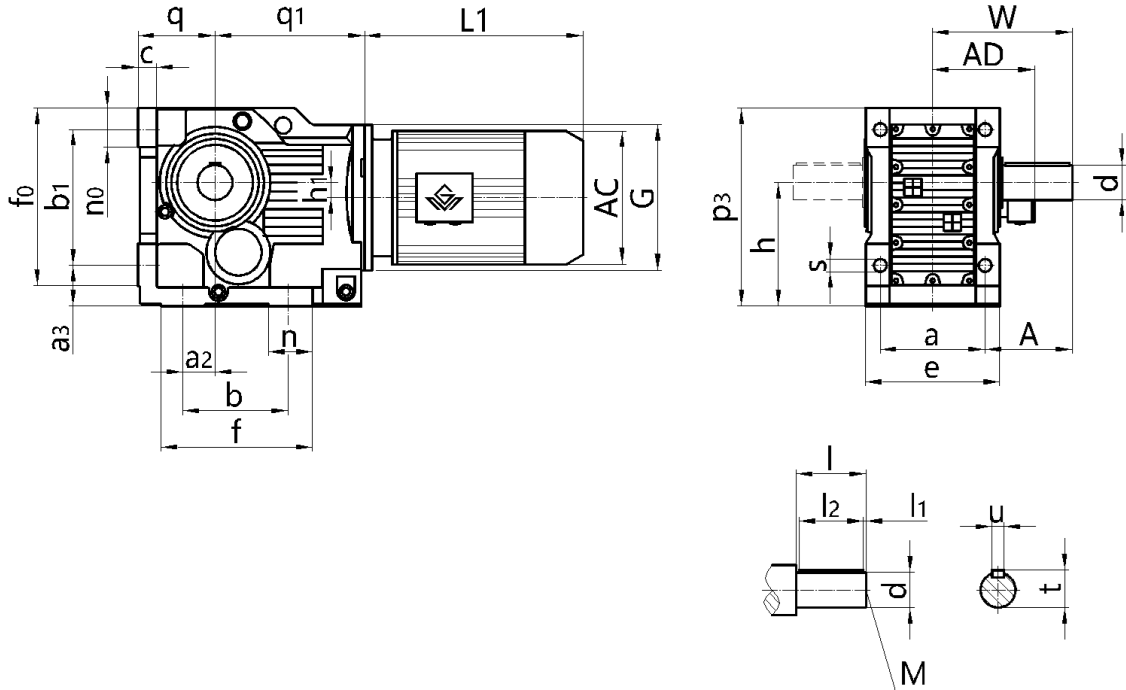
M_{amax} [Nm]	n_a [r/min]	i	F_{Ra} [kN]	机型号 Type size	P [kW]/4P	M_{amax} [Nm]	n_a [r/min]	i	F_{Ra} [kN]	机型号 Type size	P [kW]/4P
32000	0.07	19725	135		0.55	50000	0.04	32625	171		0.55
	0.08	17409	135								
	0.09	15000	135	GK169R99				GK189R99			
	0.11	13238	135	GKA169R99				GKA189R99			
	0.12	11575	135								
	0.14	10265	135								
	0.16	8629	135	GK169R99 GKA169R99	0.75		0.10	14272	171	GK189R99 GKA189R99	0.75
	0.21	6562	135	GK169R99	1.1		0.11	13116	171	GK189R99 GKA189R99	0.75
	0.26	5355	135	GKA169R99			0.12	11647	171		
	0.29	4788	135	GK169R99	1.5		0.13	10413	171	GK189R99 GKA189R99	1.1
	0.34	4079	135	GKA169R99			0.15	9363	171	GK189R99 GKA189R99	
	0.42	3376	135	GK169R99	2.2		0.17	8126	171		1.5
	0.52	2755	135	GKA169R99			0.19	7343	171	GK189R99 GKA189R99	
	0.63	2264	135	GK169R99	3		0.21	6747	171	GK189R99 GKA189R99	1.5
	0.66	2182	135	GKA169R99			0.23	5991	171		
	0.85	1704	135	GK169R99	4		0.27	5358	171	GK189R99 GKA189R99	2.2
	1.02	1408	135	GKA169R99			0.30	4817	171	GK189R99 GKA189R99	
	1.11	1296	135	GK169R99	5.5		0.33	4370	171		3
	1.31	1101	135	GKA169R99			0.40	3609	171	GK189R99 GKA189R99	
	1.53	944	135		7.5		0.47	3062	171	GK189R99 GKA189R99	4
	1.71	844	135	GK169R99			0.57	2519	171	GK189R99 GKA189R99	
	1.90	757	135	GKA169R99	11		0.63	2268	171	GK189R99 GKA189R99	5.5
	2.28	632	135				0.70	2054	171		
	2.6	561	135	GK169R99	15		0.79	1821	171	GK189R99 GKA189R99	7.5
3.0	481	135	GKA169R99	1.03		1395	171	GK189R99 GKA189R99			
3.5	423	135	GK169R99	18.5	1.20	1196	171	GK189R99 GKA189R99	7.5		
4.0	369	135	GKA169R99		1.38	1046	171	GK189R99 GKA189R99			
4.6	317	135	GK169R109 GKA169R109	22	1.52	945	171	GK189R99 GKA189R99	15		
5.3	277	135	GK169R109		2.0	738	171	GK189R99 GKA189R99			
6.0	244	135	GKA169R109	30	2.4	621	171	GK189R99 GKA189R99	18.5		
6.9	213	135	GK169R109		2.8	527	171	GK189R99 GKA189R99			
7.2	205	135	GKA169R109	37	1.7	835	171	GK189R109 GKA189R109	11		
8.2	180	135			2.0	729	171	GK189R109 GKA189R109			
9.3	159	135	GK169R109 GKA169R109	45	2.3	622	171	GK189R109 GKA189R109	15		
11.0	135	135	GK169R109		2.8	520	171	GK189R109 GKA189R109			
12.5	118	135	GKA169R109		3.2	454	171	GK189R109 GKA189R109	30		
				4.1	355	171	GK189R109 GKA189R109				
					5.7	261	171	GK189R109 GKA189R109	37		
				6.7	221	171	GK189R109 GKA189R109				
					7.7	193	171	GK189R109 GKA189R109	45		
				9.1	163	171					

安装结构尺寸

GK39-159

Mounting Dimensional Description

GK39-159



机型号 Type Size	a	a ₂	b ₁	q ₁	s	d	l ₁	u	w	e	c	f ₀	n	G	电机尺寸 Motor Size																				
	b	h	q	h ₁	a ₃	l	l ₂	t	A	p ₃	n ₀	f	M		AC	AD	L1																		
GK39	100	28	115	139	Φ11	Φ25k6	5	8	110	120	16	150	38	Φ120	见附录 A-2 和 A-3 Please see appendix A-2 and A-3																				
	110	100 ^{-0.5}	63 ^{-0.5}	8.5	32	50	40	28	60	165	37	143	M10																						
GK49	120	35	130	166	Φ11	Φ30k6	3.5	8	135	145	18	170	32	Φ160				见附录 A-2 和 A-3 Please see appendix A-2 and A-3																	
	130	112 ^{-0.5}	71 ^{-0.5}	7.2	37	60	50	33	75	185	37	162	M10																						
GK59	130	30	150	173	Φ13.5	Φ35k6	7	10	153	157	21	190	43	Φ160							见附录 A-2 和 A-3 Please see appendix A-2 and A-3														
	130	132 ^{-0.5}	80 ^{-0.5}	13.1	45	70	56	38	88	217	43	172	M12																						
GK69	140	30	160	179	Φ13.5	Φ40k6	5	12	171	170	24	203	45	Φ160										见附录 A-2 和 A-3 Please see appendix A-2 and A-3											
	120	140 ^{-0.5}	90 ^{-0.5}	20	45	80	70	43	101	228	43	170	M16																						
GK79	165	40	200	202	Φ17.5	Φ50k6	10	14	206	200	27	263	55	Φ200													见附录 A-2 和 A-3 Please see appendix A-2 and A-3								
	150	180 ^{-0.5}	112 ^{-0.5}	31.3	55	100	80	53.5	123.5	288	55	212.5	M16																						
GK89	180	55	233	257	Φ22	Φ60m6	5	18	240	230	32	305	75	Φ250																见附录 A-2 和 A-3 Please see appendix A-2 and A-3					
	180	212 ^{-0.5}	132 ^{-0.5}	25.9	70	120	110	64	150	340	67	260	M20																						
GK99	240	75	295	277	Φ26	Φ70m6	7.5	20	291	290	36	372	60	Φ300																			见附录 A-2 和 A-3 Please see appendix A-2 and A-3		
	240	265 ⁻¹	160 ^{-0.5}	32.3	75	140	125	74.5	171	417	82	294	M20																						
GK109	270	95	360	341	Φ33	Φ90m6	5	25	347	340	40	448	100	Φ350																					
	280	315 ⁻¹	200 ^{-0.5}	52	95	170	160	95	212	503	90	380	M24																						
GK129	330	115	420	390	Φ39	Φ110m6	15	28	418	400	45	526	100	Φ450	见附录 A-2 和 A-3 Please see appendix A-2 and A-3																				
	350	375 ⁻¹	225 ^{-0.5}	53	110	210	180	116	253	592	111	440	M24																						
GK159	420	140	500	426	Φ39	Φ120m6	5	32	457	500	50	634	100	Φ550				见附录 A-2 和 A-3 Please see appendix A-2 and A-3																	
	380	450 ⁻¹	280 ⁻¹	71.7	130	210	200	127	247	705	125	480	M24																						

注：减速机部分的外形尺寸，未包含通气帽的高度尺寸。通气帽的高度尺寸为 17。

Note: the dimensions don't include the height of the breathe valve. the height of the breathe valve is 17.

注：电机需方配或配特殊电机时需加联接法兰（见附录 D）

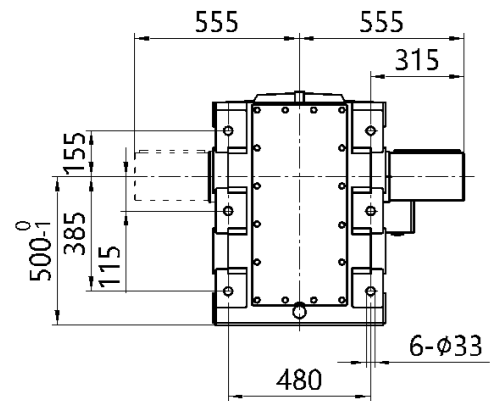
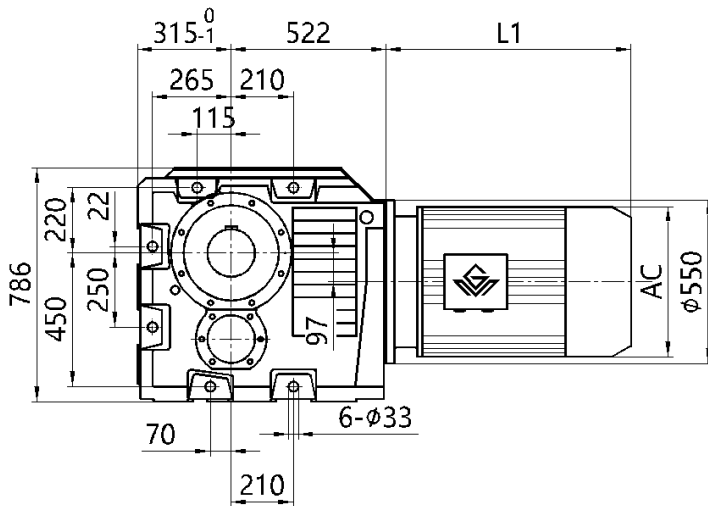
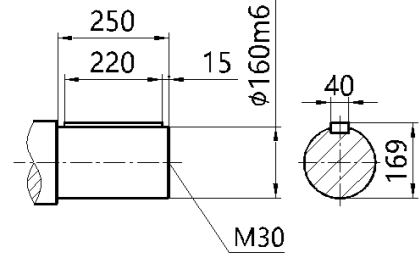
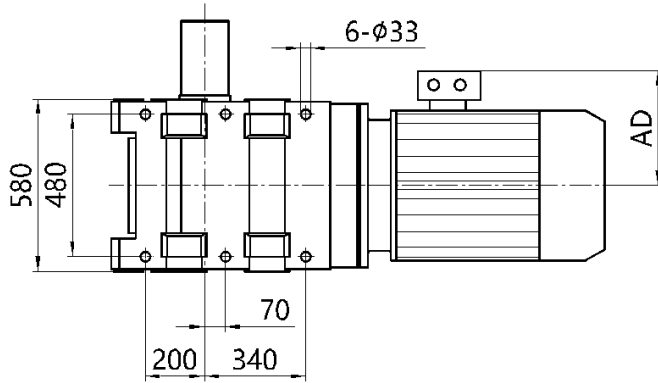
Note: When equipping the user's motor or the special one, the flange is required to connected. (Please see appendix D)

安装结构尺寸

GK169

Mounting Dimensional Description

GK169



注：电机需方配或配特殊电机时需加联接法兰（见附录 D）

Note: When equipping the user's motor or the special one, the flange is required to be connected. (Please see appendix D)

注：直联电机尺寸见附录 A-2 和 A-3

Note: See Appendix A-2 and A-3 for dimensions of direct-connected motors

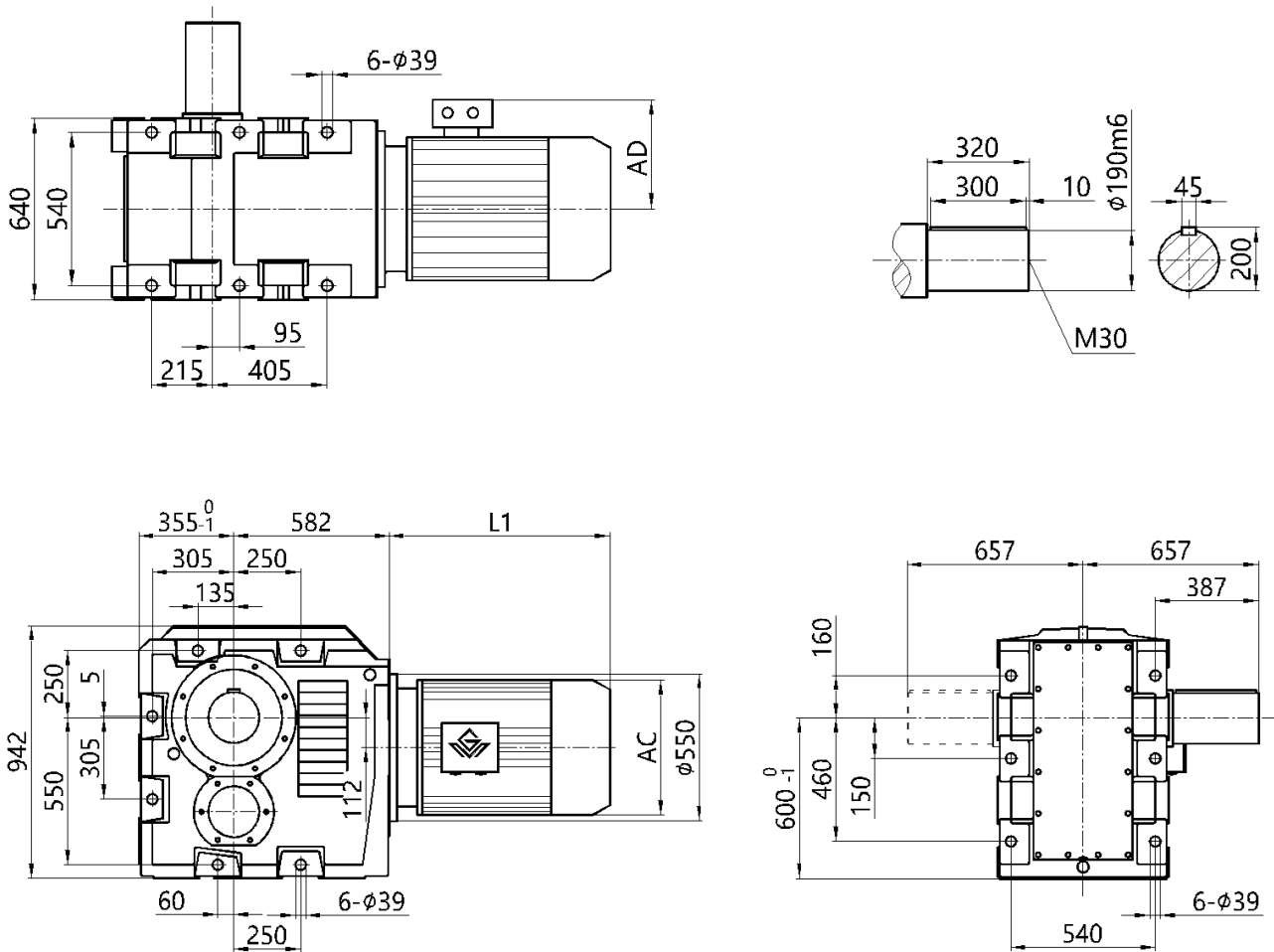
GK 系列斜齿轮-锥齿轮减速电机

安装结构尺寸

GK189

Mounting Dimensional Description

GK189

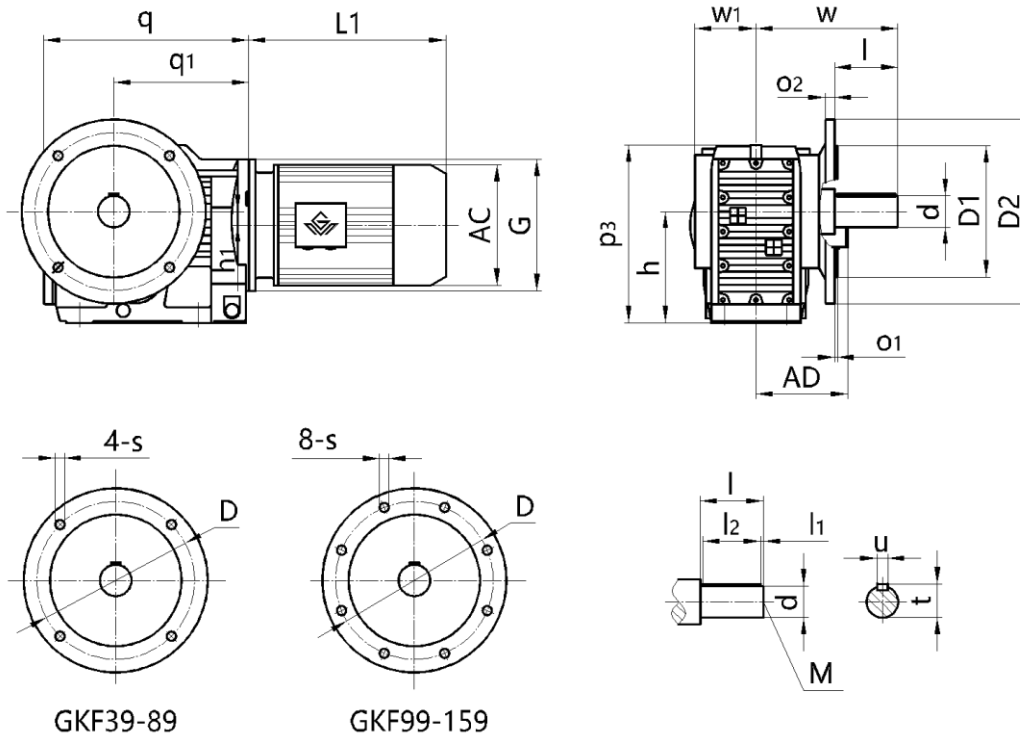


注：电机需方配或配特殊电机时需加联接法兰（见附录 D）

Note: When equipping the user's motor or the special one, the flange is required to be connected. (Please see appendix D)

注：直联电机尺寸见附录 A-2 和 A-3

Note: See Appendix A-2 and A-3 for dimensions of direct-connected motors

安装结构尺寸
GKF39-159
Mounting Dimensional Description
GKF39-159


GKF39-89

GKF99-159

机型号 Type Size	s o ₂	q w	q ₁ w ₁	h ₁ l	D l ₁	D1 l ₂	D2 d	h M	p ₃ u	o ₁ t	G	电机尺寸 Motor Size			
												AC	AD	L1	
GKF39	Φ9 10	210 134	139 57.5	8.5 50	Φ130 5	Φ110j6 40	Φ160 Φ25k6	100-0.5 M10	164 8	3.5 28	Φ120	见附录 A-2 和 A-3 Please see appendix A-2 and A-3			
GKF49	Φ11 12	243 160	166 72	7.2 60	Φ165 3.5	Φ130j6 50	Φ200 Φ30k6	112-0.5 M10	185 8	3.5 33	Φ160				
GKF59	Φ13.5 15	270 176.5	173 80	13.1 70	Φ215 7	Φ180j6 56	Φ250 Φ35k6	132-0.5 M12	215 10	4 38	Φ160				
GKF69	Φ13.5 15	275 193	179 86.5	20 80	Φ215 5	Φ180j6 70	Φ250 Φ40k6	140-0.5 M16	226 12	4 43	Φ160				
GKF79	Φ13.5 16	313 242	202 101	31.3 100	Φ265 10	Φ230j6 80	Φ300 Φ50k6	180-0.5 M16	288 14	4 53.5	Φ200				
GKF89	Φ17.5 18	391 270	257 146	25.9 120	Φ300 5	Φ250h6 110	Φ350 Φ60m6	212-0.5 M20	338 18	5 64	Φ250				
GKF99	Φ17.5 22	435 332	277 176	32.3 140	Φ400 7.5	Φ350h6 125	Φ450 Φ70m6	265-1 M20	417 20	5 74.5	Φ300				
GKF109	Φ17.5 22	537 386	341 181	52 170	Φ400 5	Φ350h6 160	Φ450 Φ90m6	315-1 M24	500 25	5 95	Φ350				
GKF129	Φ17.5 25	615 466	390 203	53 210	Φ500 15	Φ450h6 180	Φ550 Φ110m6	375-1 M24	592 28	5 116	Φ450				
GKF159	Φ22 28	706 520	426 254	71.7 210	Φ600 5	Φ550h6 200	Φ660 Φ120m6	450-1 M24	705 32	6 127	Φ550				

注：减速机部分的外形尺寸，未包含通气帽的高度尺寸。通气帽的高度尺寸为 17。

Note: the dimensions don't include the height of the breathe valve. the height of the breathe valve is 17.

注：电机需方配或配特殊电机时需加联接法兰（见附录 D）

Note: When equipping the user's motor or the special one, the flange is required to connected. (Please see appendix D)

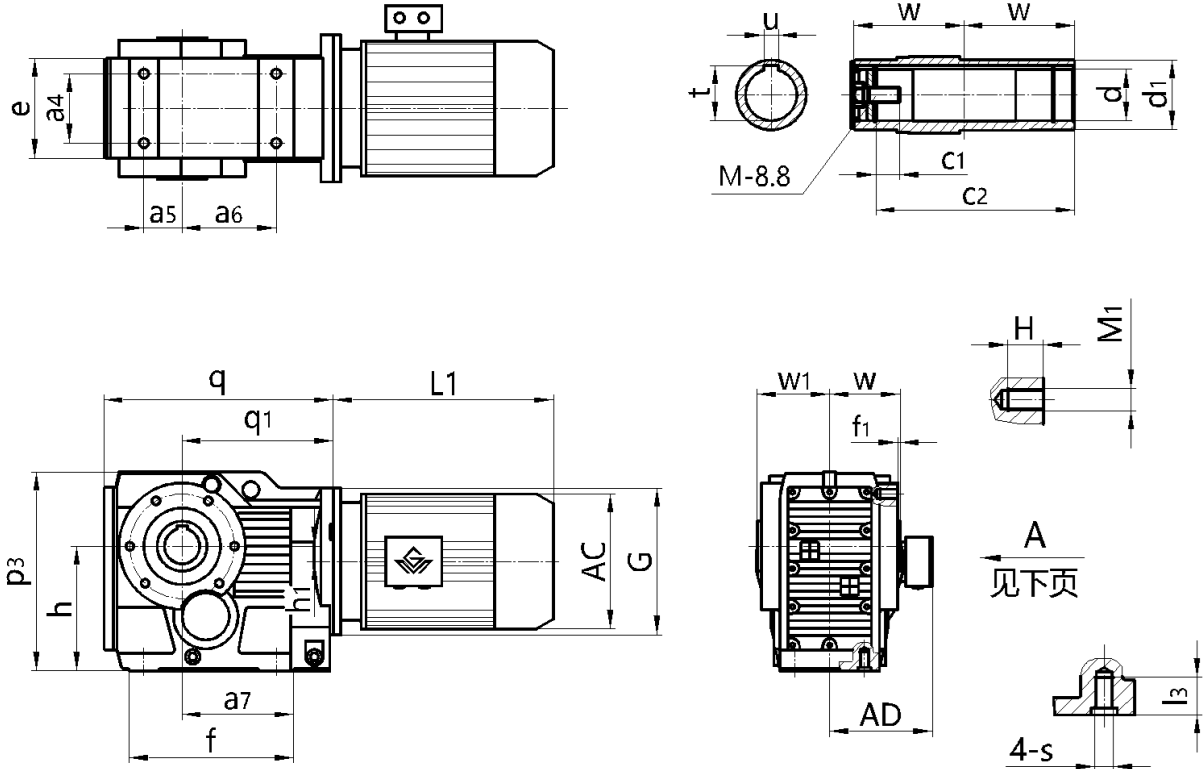
GK 系列斜齿轮-锥齿轮减速电机

安装结构尺寸

GKA39-109

Mounting Dimensional Description

GKA39-109



机型号 Type Size	s q	l ₃ q ₁	e w	a ₄ d	a ₅ d ₁	a ₆ t	a ₇ u	f f ₁	h H	h ₁ M ₁	p ₃ c ₁	c ₂ M	G w ₁	电机尺寸 Motor Size			
														AC	AD	L1	
GKA39	M10 210	20 139	100 60	60 Φ30H7	35 Φ45	82 33.3	97 8	147 2.5	100 ^{-0.5} 15	8.5 M8	164 17	105 M10×25	Φ120 63	见附录 A-2 和 A-3 Please see appendix A-2 and A-3			
GKA49	M10 243	20 166	110 75	70 Φ35H7	40 Φ50	100 38.3	115 10	170 3	112 ^{-0.5} 14	7.2 M8	185 22	132 M12×30	Φ160 78				
GKA59	M12 270	25 173	122 83	88 Φ40H7	47 Φ55	105 43.3	120 12	182 3	132 ^{-0.5} 20	13.1 M12	215 29	142 M16×40	Φ160 86				
GKA69	M12 275	25 179	130 90	88 Φ40H7	42 Φ55	110 43.3	125 12	182 3.5	140 ^{-0.5} 21	20 M12	226 29	156 M16×40	Φ160 94				
GKA79	M16 313	32 202	156 105	102 Φ50H7	48 Φ70	122 53.8	139 14	204 4	180 ^{-0.5} 23	31.3 M12	288 32	183 M16×45	Φ200 108				
GKA89	M16 391	32 257	170 120	118 Φ60H7	65 Φ85	160 64.4	190 18	280 4	212 ^{-0.5} 30	25.9 M16	338 36	210 M20×50	Φ250 123				
GKA99	M20 435	36 277	226 150	160 Φ70H7	83 Φ95	165 74.9	190 20	298 4	265 ⁻¹ 28	32.3 M16	417 34	270 M20×50	Φ300 153				
GKA109	M24 537	44 341	268 175	190 Φ90H7	100 Φ118	190 95.4	230 25	370 3	315 ⁻¹ /	52 /	500 40	313 M24×60	Φ350 178				

注：减速机部分的外形尺寸，未包含通气帽的高度尺寸。通气帽的高度尺寸为 17。

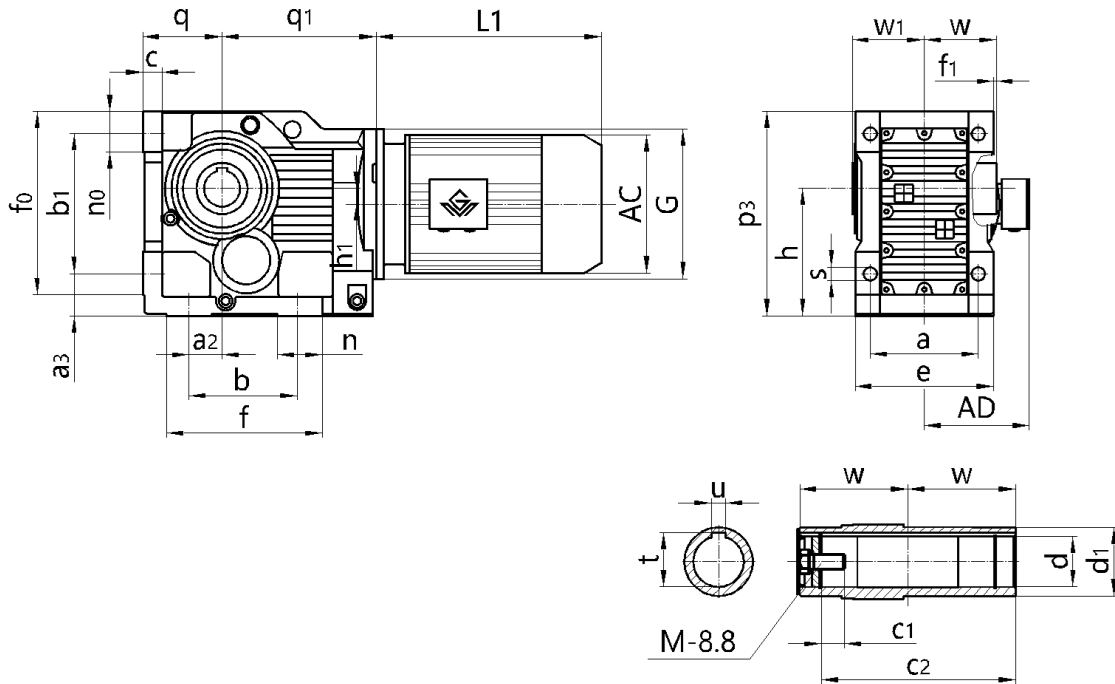
Note: the dimensions don't include the height of the breathe valve. the height of the breathe valve is 17.

注：电机需方配或配特殊电机时需加联接法兰（见附录 D）

Note: When equipping the user's motor or the special one, the flange is required to connected. (Please see appendix D)

安装结构尺寸
GKA129-159

Mounting Dimensional Description
GKA129-159



机型号 Type Size	s	p ₃	h	a	e	f ₁	w	d	d ₁	t	u	f	c ₂	G	电机尺寸 Motor Size		
	b	a ₂	n	f ₀	a ₃	b ₁	n ₀	h ₁	c	q	q ₁	c ₁	M	w ₁	AC	AD	L1
GKA129	Φ39	592	375 ₋₁	330	400	2.5	205	Φ100H7	Φ135	106.4	28	440	373	Φ450	见附录 A-2 和 A-3 Please see appendix A-2 and A-3		
	350	115	100	526	110	420	111	53	45	225 _{-0.5}	390	38	M24×60	208			
GKA159	Φ39	705	450 ₋₁	420	500	3	250	Φ120H7	Φ155	127.4	32	480	460	Φ550	见附录 A-2 和 A-3 Please see appendix A-2 and A-3		
	380	140	100	634	130	500	125	71.7	54	280 ₋₁	426	36	M24×60	253			

注：减速机部分的外形尺寸，未包含通气帽的高度尺寸。通气帽的高度尺寸为 17。

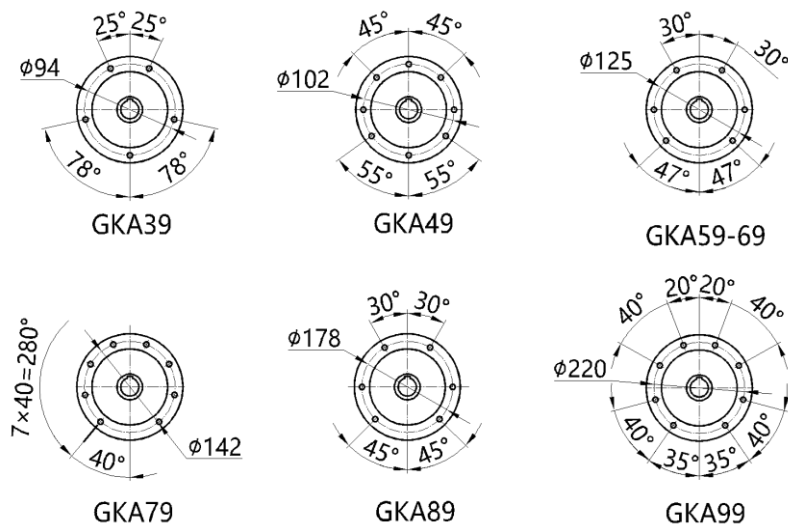
Note: the dimensions don't include the height of the breathe valve. the height of the breathe valve is 17.

注：电机需方配或配特殊电机时需加联接法兰（见附录 D）

Note: When equipping the user's motor or the special one, the flange is required to connected. (Please see appendix D)

A 向法兰安装结构尺寸

Fig.A Mounting Dimension



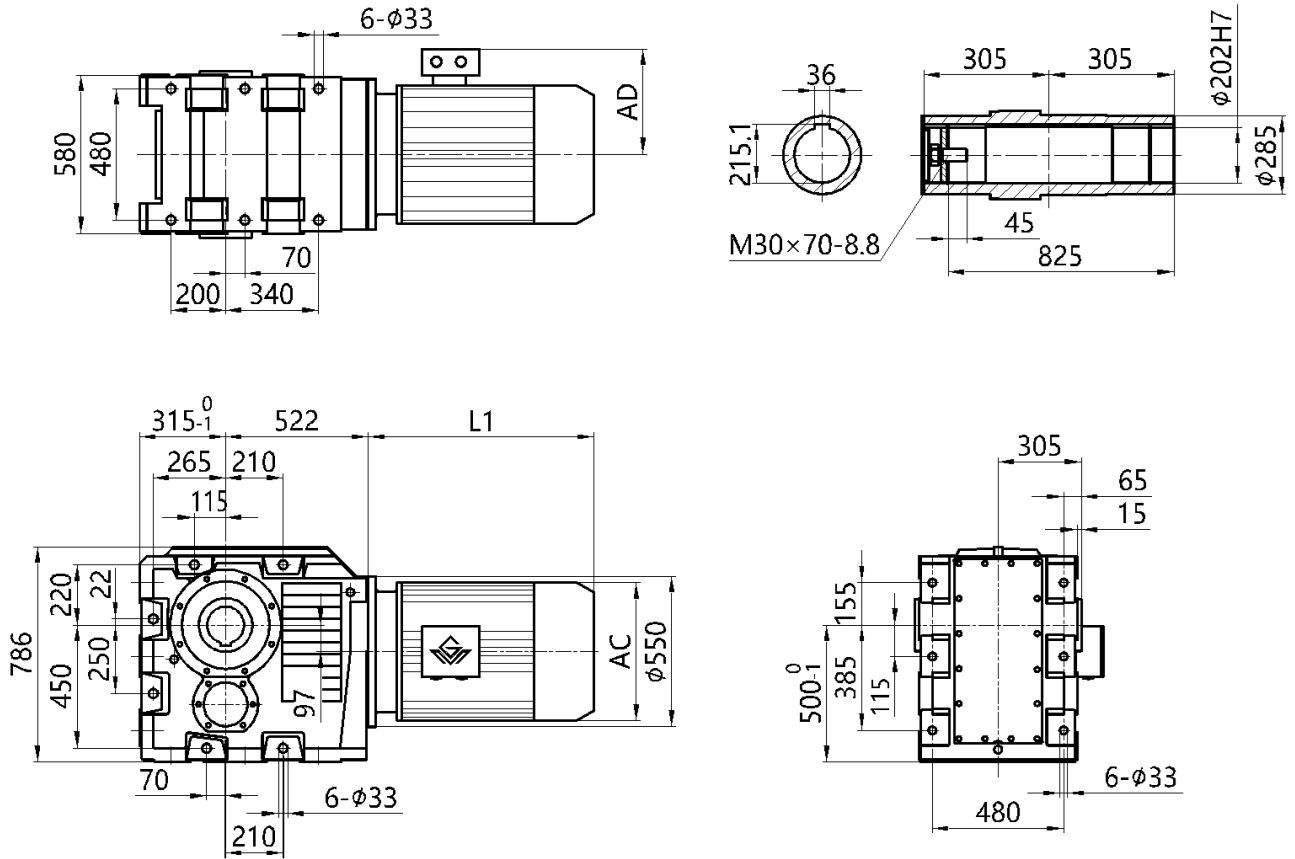
GK 系列斜齿轮-锥齿轮减速电机

安装结构尺寸

GKA169

Mounting Dimensional Description

GKA169



注：电机需方配或配特殊电机时需加联接法兰（见附录 D）

Note: When equipping the user's motor or the special one, the flange is required to connected. (Please see appendix D)

注：直联电机尺寸见附录 A-2 和 A-3

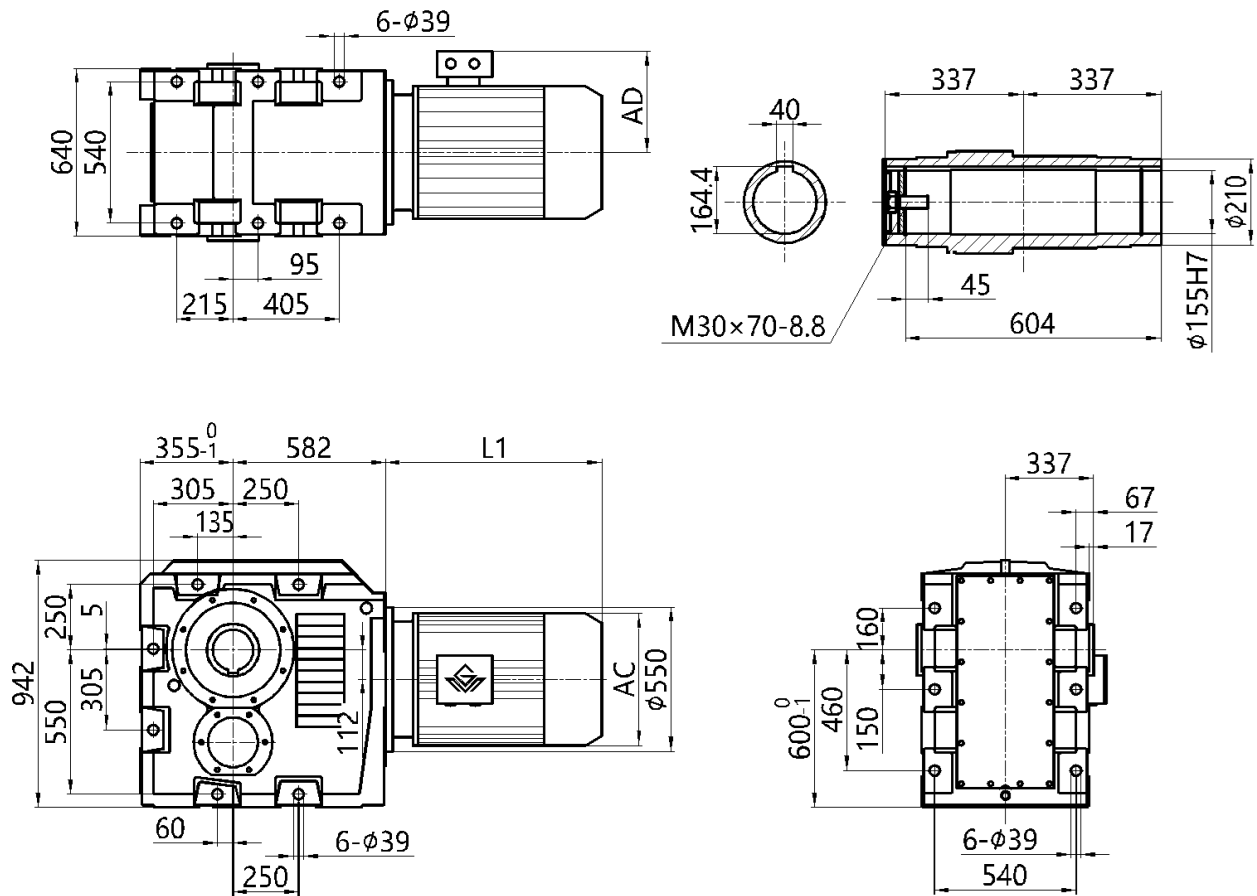
Note: See Appendix A-2 and A-3 for dimensions of direct-connected motors

安装结构尺寸

GKA189

Mounting Dimensional Description

GKA189



注：电机需方配或配特殊电机时需加联接法兰（见附录 D）

Note: When equipping the user's motor or the special one, the flange is required to be connected. (Please see appendix D)

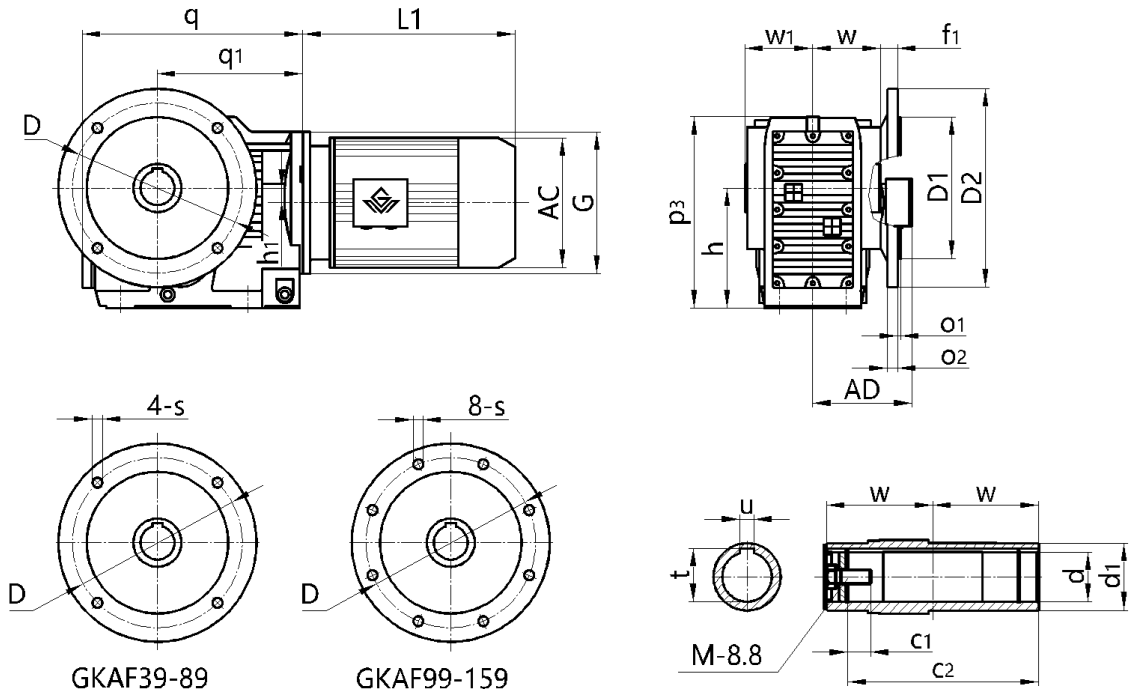
注：直联电机尺寸见附录 A-2 和 A-3

Note: See Appendix A-2 and A-3 for dimensions of direct-connected motors

GK 系列斜齿轮-锥齿轮减速电机

安装结构尺寸 GKAF39-159

Mounting Dimensional Description GKAF39-159



机型号 Type Size	s o ₁	q o ₂	q ₁ w	h ₁ f ₁	D d	D1 d ₁	D2 u	h t	p ₃ c ₁	c ₂ M	G w ₁	电机尺寸 Motor Size			
												AC	AD	L1	
GKAF39	Φ9 3.5	210 10	139 60	8.5 24	Φ130 Φ30H7	Φ110j6 Φ45	Φ160 8	100-0.5 33.3	164 17	105 M10×25	Φ120 63	见附录 A-2 和 A-3 Please see appendix A-2 and A-3			
GKAF49	Φ11 3.5	243 12	166 75	7.2 25	Φ165 Φ35H7	Φ130j6 Φ50	Φ200 10	112-0.5 38.3	185 22	132 M12×30	Φ160 78				
GKAF59	Φ13.5 4	270 15	173 83	13.1 23.5	Φ215 Φ40H7	Φ180j6 Φ55	Φ250 12	132-0.5 43.3	215 29	142 M16×40	Φ160 86				
GKAF69	Φ13.5 4	275 15	179 90	20 23	Φ215 Φ40H7	Φ180j6 Φ55	Φ250 12	140-0.5 43.3	226 29	156 M16×40	Φ160 94				
GKAF79	Φ13.5 4	313 16	202 105	31.3 37	Φ265 Φ50H7	Φ230j6 Φ70	Φ300 14	180-0.5 53.8	288 32	183 M16×45	Φ200 108				
GKAF89	Φ17.5 5	391 18	257 120	25.9 30	Φ300 Φ60H7	Φ250h6 Φ85	Φ350 18	212-0.5 64.4	338 36	210 M20×50	Φ250 123				
GKAF99	Φ17.5 5	435 22	277 150	32.3 41.5	Φ400 Φ70H7	Φ350h6 Φ95	Φ450 20	265-1 74.9	417 34	270 M20×50	Φ300 153				
GKAF109	Φ17.5 5	537 22	341 175	52 41	Φ400 Φ90H7	Φ350h6 Φ118	Φ450 25	315-1 95.4	500 40	313 M24×60	Φ350 178				
GKAF129	Φ17.5 5	615 25	390 205	53 51	Φ500 Φ100H7	Φ450h6 Φ135	Φ550 28	375-1 106.4	592 38	373 M24×60	Φ450 208				
GKAF159	Φ22 6	706 28	426 250	71.7 60	Φ600 Φ120H7	Φ550h6 Φ155	Φ660 32	450-1 127.4	705 36	460 M24×60	Φ550 253				

注：减速机部分的外形尺寸，未包含通气帽的高度尺寸。通气帽的高度尺寸为 17。

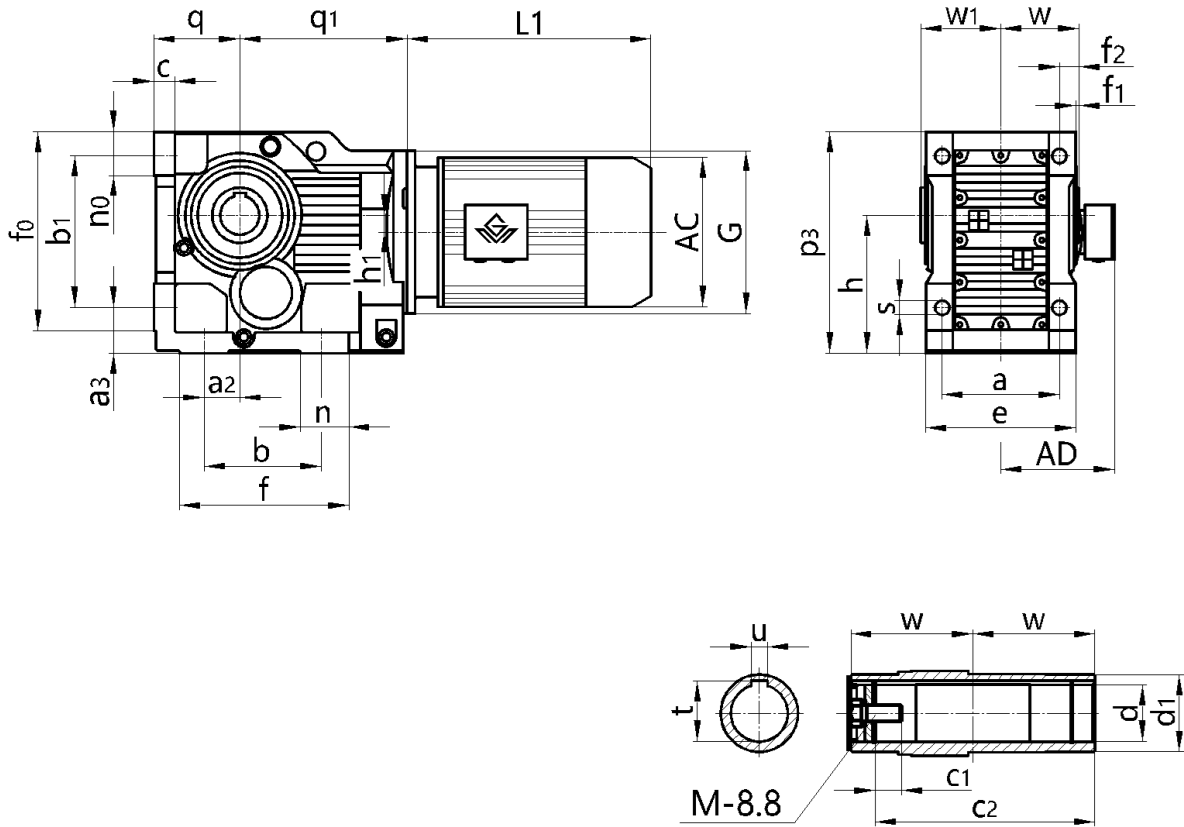
Note: the dimensions don't include the height of the breathe valve. the height of the breathe valve is 17.

注：电机需方配或配特殊电机时需加联接法兰（见附录 D）

Note: When equipping the user's motor or the special one, the flange is required to connected. (Please see appendix D)

安装结构尺寸
GKAB49-109

Mounting Dimensional Description
GKAB49-109



机型号 Type Size	s b	p ₃ a ₂	h n	a f ₀	e a ₃	f ₁ b ₁	w n ₀	d h ₁	d ₁ c	t q	u q ₁	f f ₂	c ₁ c ₂	w ₁ M	G	电机尺寸 Motor Size			
																AC	AD	L1	
GKAB49	Φ11 130	185 35	112 _{-0.5} 32	120 170	145 37	3 130	75 37	Φ35H7 7.2	Φ50 18	38.3 71 _{-0.5}	10 166	162 15	22 132	78 M12×30	Φ160	见附录 A-2 和 A-3 Please see appendix A-2 and A-3			
GKAB59	Φ13.5 130	217 30	132 _{-0.5} 43	130 190	157 45	3 150	83 43	Φ40H7 13.1	Φ55 21	43.3 80 _{-0.5}	12 173	172 18	29 142	86 M16×40	Φ160				
GKAB69	Φ13.5 120	228 30	140 _{-0.5} 45	140 203	170 45	3.5 160	90 43	Φ40H7 20	Φ55 24	43.3 90 _{-0.5}	12 179	170 20	29 156	94 M16×40	Φ160				
GKAB79	Φ17.5 150	288 40	180 _{-0.5} 55	165 263	200 55	4 200	105 55	Φ50H7 31.3	Φ70 27	53.8 112 _{-0.5}	14 202	212.5 22.5	32 183	108 M16×45	Φ200				
GKAB89	Φ22 180	340 55	212 _{-0.5} 75	180 305	230 70	4 233	120 67	Φ60H7 25.9	Φ85 32	64.4 132 _{-0.5}	18 257	260 30	36 210	123 M20×50	Φ250				
GKAB99	Φ26 240	417 75	265 ₋₁ 60	240 372	290 75	4 295	150 82	Φ70H7 32.3	Φ95 36	74.9 160 _{-0.5}	20 277	294 30	34 270	153 M20×50	Φ300				
GKAB109	Φ33 280	503 95	315 ₋₁ 100	270 448	340 95	3 360	175 90	Φ90H7 52	Φ118 40	95.4 200 _{-0.5}	25 341	380 40	40 313	178 M24×60	Φ350				

注：减速机部分的外形尺寸，未包含通气帽的高度尺寸。通气帽的高度尺寸为 17。

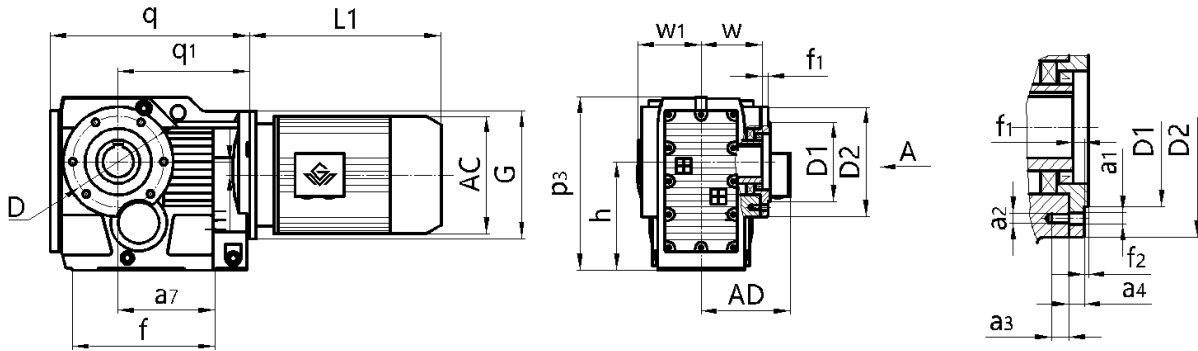
Note: the dimensions don't include the height of the breathe valve. the height of the breathe valve is 17.

注：电机需方配或配特殊电机时需加联接法兰（见附录 D）

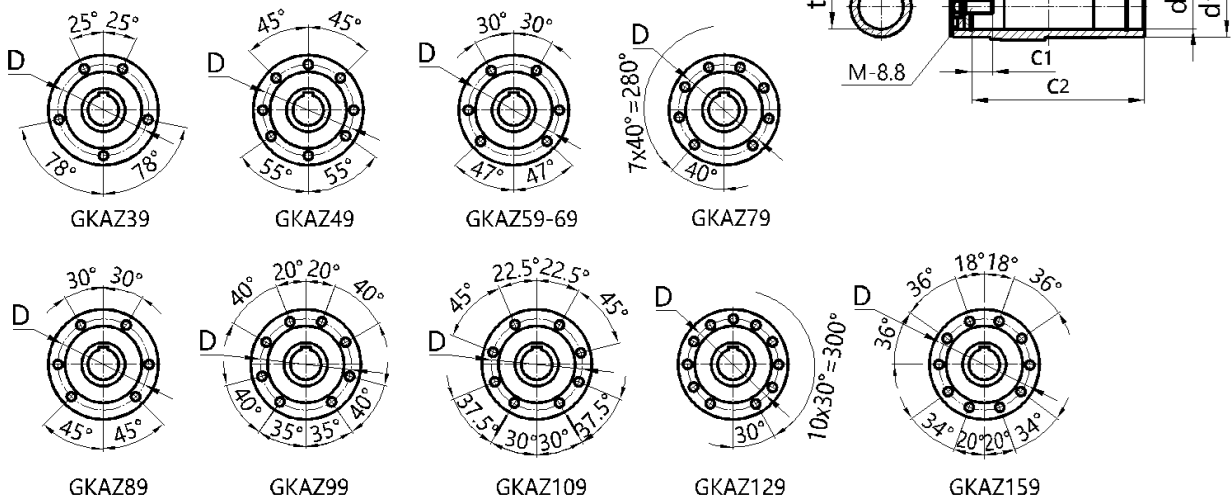
Note: When equipping the user's motor or the special one, the flange is required to connected. (Please see appendix D)

安装结构尺寸 GKAZ39-159

Mounting Dimensional Description GKAZ39-159



A向法兰安装结构尺寸 (Fig.A Mounting Dimension)



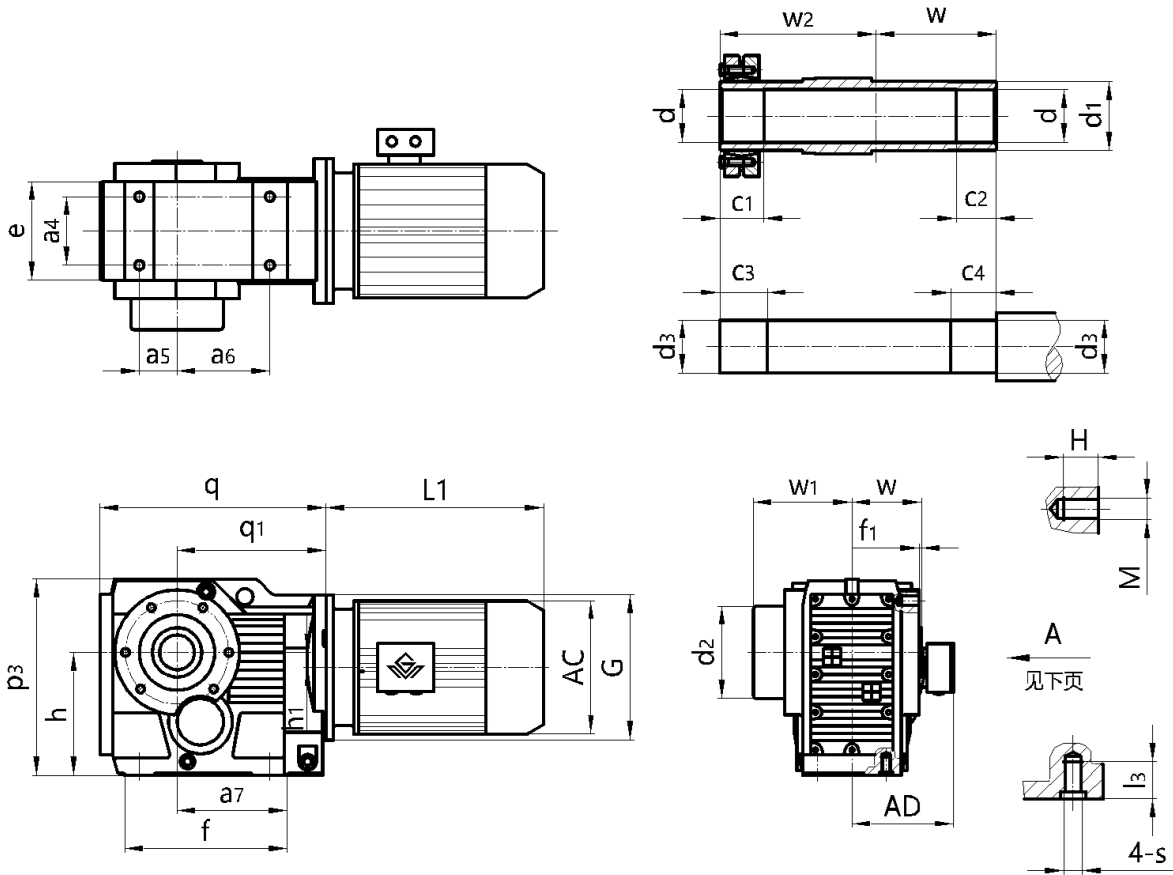
机型号 Type Size	q q1	D1 D2	h h1	p3 a7	f f1	w w1	d d1	c2 c1	t u	a3 a4	f2 a2	a1 D	G M	电机尺寸 Motor Size							
														AC	AD	L1					
GKAZ39	210	Φ80j6	100 ^{-0.5}	164	147	60	Φ30H7	105	33.3	12	3	Φ9	Φ120	见附录 A-2 和 A-3 Please see appendix A-2 and A-3							
	139	Φ110	8.5	97	9	63	Φ45	17	8	11.5	M8	Φ94	M10×25								
GKAZ49	243	Φ80j6	112 ^{-0.5}	185	170	75	Φ35H7	132	38.3	12	3	Φ9	Φ160		见附录 A-2 和 A-3 Please see appendix A-2 and A-3						
	166	Φ120	7.2	115	8	78	Φ50	22	10	11	M8	Φ102	M12×30								
GKAZ59	270	Φ105j6	132 ^{-0.5}	215	182	83	Φ40H7	142	43.3	20	3.5	Φ13.5	Φ160			见附录 A-2 和 A-3 Please see appendix A-2 and A-3					
	173	Φ155	13.1	120	9	86	Φ55	29	12	12	M12	Φ125	M16×40								
GKAZ69	275	Φ105j6	140 ^{-0.5}	226	182	90	Φ40H7	156	43.3	21	3.5	Φ13.5	Φ160				见附录 A-2 和 A-3 Please see appendix A-2 and A-3				
	179	Φ155	20	125	8.5	94	Φ55	29	12	12	M12	Φ125	M16×40								
GKAZ79	313	Φ125j6	180 ^{-0.5}	288	204	105	Φ50H7	183	53.8	23	3.5	Φ13.5	Φ200					见附录 A-2 和 A-3 Please see appendix A-2 and A-3			
	202	Φ170	31.3	139	10	108	Φ70	32	14	14	M12	Φ142	M16×45								
GKAZ89	391	Φ155j6	212 ^{-0.5}	338	280	120	Φ60H7	210	64.4	30	4	Φ17.5	Φ250	见附录 A-2 和 A-3 Please see appendix A-2 and A-3							
	257	Φ215	25.9	190	11	123	Φ85	36	18	15	M16	Φ178	M20×50								
GKAZ99	435	Φ180j6	265 ⁻¹	417	298	150	Φ70H7	270	74.9	28	4	Φ17.5	Φ300		见附录 A-2 和 A-3 Please see appendix A-2 and A-3						
	277	Φ260	32.3	190	14	153	Φ95	34	20	18	M16	Φ220	M20×50								
GKAZ109	537	Φ210j6	315 ⁻¹	500	370	175	Φ90H7	313	95.4	32	4	Φ22	Φ350			见附录 A-2 和 A-3 Please see appendix A-2 and A-3					
	341	Φ304	52	230	-8	178	Φ118	40	25	22	M20	Φ260	M24×60								
GKAZ129	615	Φ250h6	375 ⁻¹	592	440	205	Φ100H7	373	106.4	36	5	Φ22	Φ450				见附录 A-2 和 A-3 Please see appendix A-2 and A-3				
	390	Φ350	53	275	0	208	Φ135	38	28	30	M20	Φ300	M24×60								
GKAZ159	706	Φ290h6	450 ⁻¹	705	480	250	Φ120H7	460	127.4	42	5	Φ26	Φ550					见附录 A-2 和 A-3 Please see appendix A-2 and A-3			
	426	Φ400	71.7	290	-14	253	Φ155	36	32	28	M24	Φ340	M24×60								

注：减速机部分的外形尺寸，未包含通气帽的高度尺寸。通气帽的高度尺寸为 17。

Note: the dimensions don't include the height of the breathe valve. the height of the breathe valve is 17.

注：电机需方配或配特殊电机时需加联接法兰（见附录 D）

Note: When equipping the user's motor or the special one, the flange is required to connected. (Please see appendix D)

安装结构尺寸
GKH39-109
Mounting Dimensional Description
GKH39-109


机型号 Type Size	q q ₁	h h ₁	e p ₃	a ₄ a ₅	a ₆ a ₇	f f ₁	d ₂ d ₁	d d ₃	w w ₁	w ₂ G	c ₁ c ₂	c ₃ c ₄	s l ₃	M H	电机尺寸 Motor Size			
															AC	AD	L1	
GKH39	210	100 ^{-0.5}	100	60	82	147	Φ80	Φ30H7	60	86	31	36	M10	M8	见附录 A-2 和 A-3 Please see appendix A-2 and A-3			
	139	8.5	164	35	97	2.5	Φ45	Φ30h6	95	Φ120	20	25	20	12				
GKH49	243	112 ^{-0.5}	110	70	100	170	Φ88	Φ35H7	75	102	32	37	M10	M8				
	166	7.2	185	40	115	3	Φ50	Φ35h6	110	Φ160	20	25	20	12				
GKH59	269	132 ^{-0.5}	122	88	105	182	Φ102	Φ40H7	83	112	26	31	M12	M12				
	173	13.1	215	47	120	3	Φ55	Φ40h6	120	Φ160	20	25	25	20				
GKH69	274	140 ^{-0.5}	130	88	110	182	Φ102	Φ40H7	90	118	38	43	M12	M12				
	179	20	226	42	125	3.5	Φ55	Φ40h6	126	Φ160	20	25	25	20				
GKH79	312	180 ^{-0.5}	154	102	122	204	Φ127	Φ50H7	105	136	36	41	M16	M12				
	202	31.3	288	48	139	4	Φ70	Φ50h6	146	Φ200	30	35	32	20				
GKH89	390	212 ^{-0.5}	170	118	160	280	Φ159	Φ65H7	120	161	41	46	M16	M16				
	257	25.9	338	65	190	4	Φ85	Φ65h6	170	Φ250	40	45	32	26				
GKH99	435	265 ⁻¹	226	160	165	298	Φ174	Φ75H7	150	195	55	60	M20	M16				
	277	32.3	417	83	190	4	Φ95	Φ75h6	206	Φ300	50	55	36	26				
GKH109	537	315 ⁻¹	266	190	190	370	Φ234	Φ95H7	175	230	65	75	M24	/				
	341	52	500	100	230	2.5	Φ118	Φ95h6	245	Φ350	60	70	44	/				

注：减速机部分的外形尺寸，未包含通气帽的高度尺寸。通气帽的高度尺寸为 17。

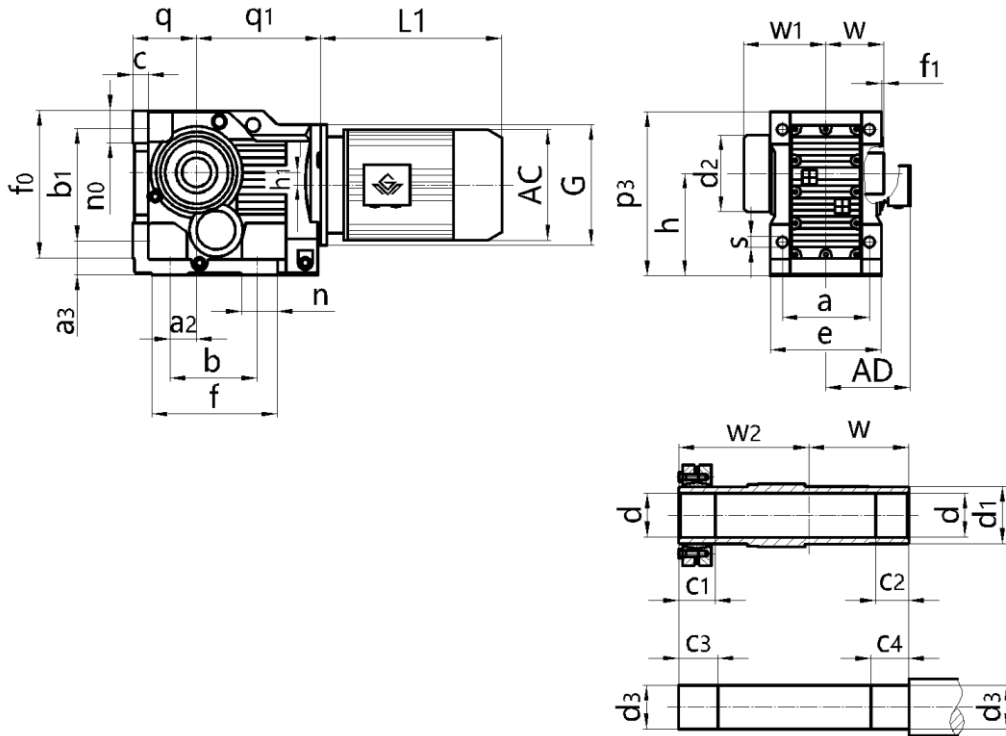
Note: the dimensions don't include the height of the breathe valve. the height of the breathe valve is 17.

注：电机需方配或配特殊电机时需加联接法兰（见附录 D）

Note: When equipping the user's motor or the special one, the flange is required to connected. (Please see appendix D)

安装结构尺寸 GKH129-159

Mounting Dimensional Description GKH129-159



机型号 Type Size	q ₁	c	n ₀	f ₀	f	a ₂	h	a	w	w ₂	c ₁	c ₃	d ₂	d	h ₁	电机尺寸 Motor Size		
	q	s	b ₁	a ₃	n	b	p ₃	e	w ₁	f ₁	c ₂	c ₄	d ₁	d ₃	G	AC	AD	L1
GKH129	390	45	111	526	440	115	375 ₋₁	330	205	280	85	95	Φ250	Φ105H7	53	见附录 A-2 和 A-3 Please see appendix A-2 and A-3		
	225 _{-0.5}	Φ39	420	110	100	350	592	400	296	2.5	70	80	Φ135	Φ105h6	Φ450			
GKH159	426	54	125	634	480	140	450 ₋₁	420	250	330	90	100	Φ287	Φ125H7	71.7			
	280 ₋₁	Φ39	500	130	100	380	705	500	350	3	80	90	Φ155	Φ125h6	Φ550			

注：减速机部分的外形尺寸，未包含通气帽的高度尺寸。通气帽的高度尺寸为 17。

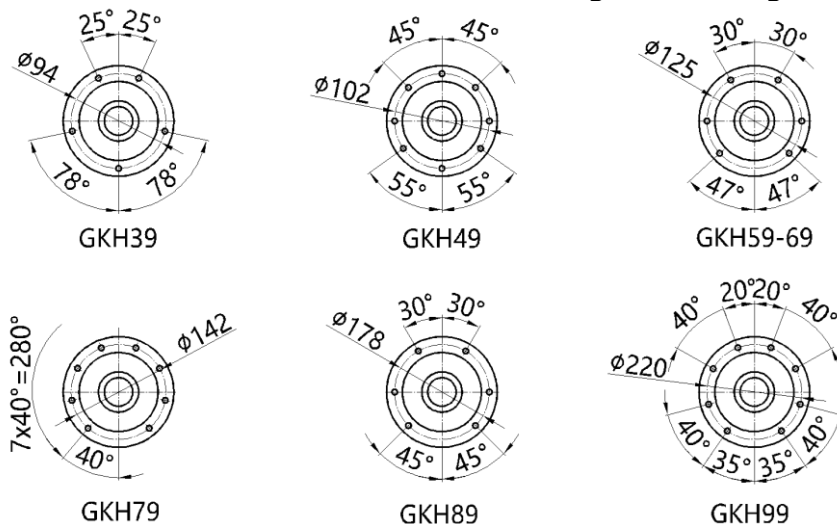
Note: the dimensions don't include the height of the breathe valve. the height of the breathe valve is 17.

注：电机需方配或配特殊电机时需加联接法兰（见附录 D）

Note: When equipping the user's motor or the special one, the flange is required to connected. (Please see appendix D)

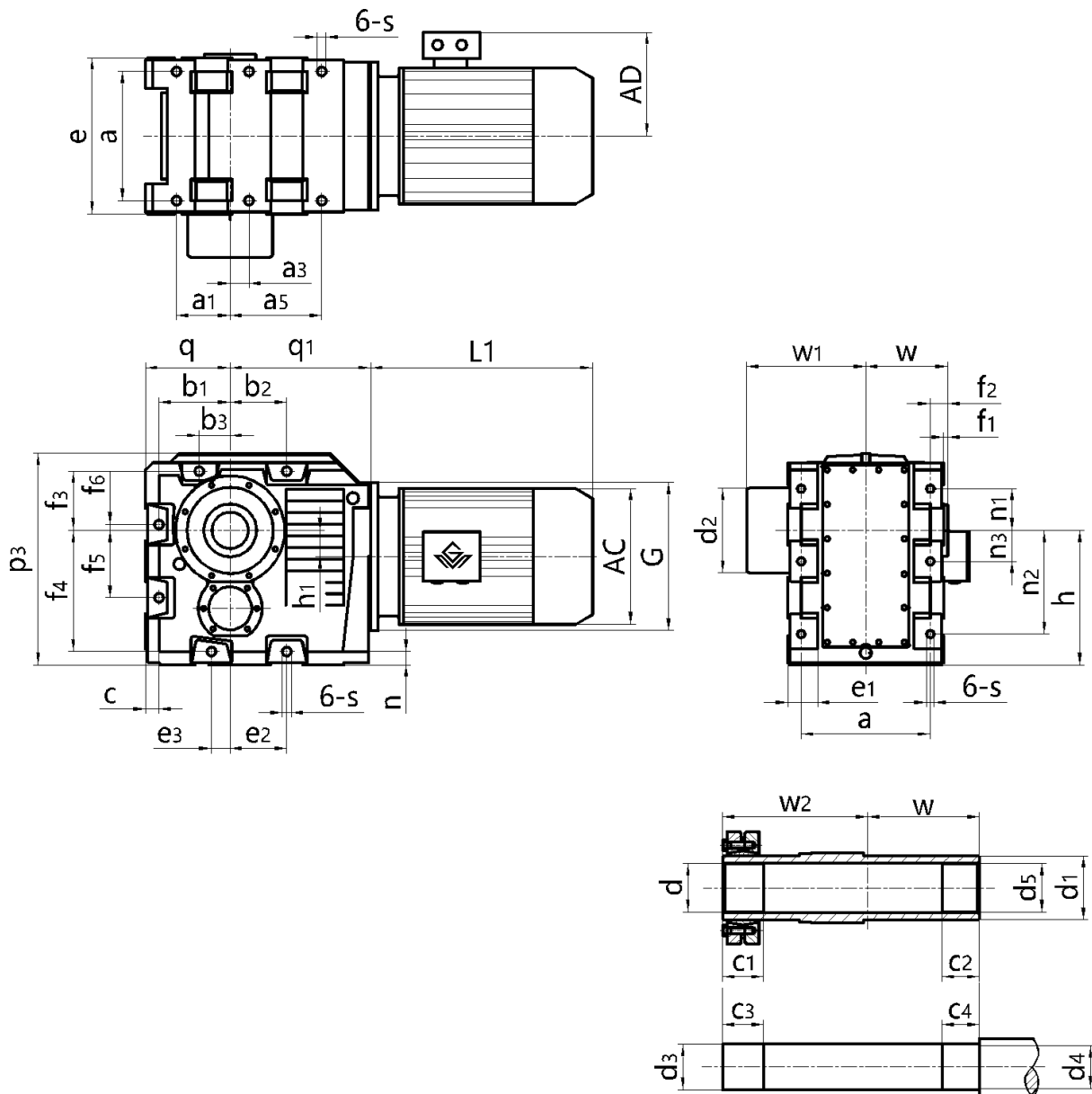
A 向法兰安装结构尺寸

Fig.A Mounting Dimension



安装结构尺寸
GKH169-189

Mounting Dimensional Description
GKH169-189



机型号 Type size	a ₁	p ₃	b ₁	f ₃	f ₆	e ₂	a	h	n ₃	c ₁	c ₄	w ₂	d	d ₄	电机尺寸 Motor size			
	a ₂	q	b ₂	f ₄	h ₁	e ₃	f ₂	n ₁	e	c ₂	w	s	d ₅	d ₁	AC	AD	L1	
	a ₃	q ₁	b ₃	f ₅	n	c	f ₁	n ₂	e ₁	c ₃	w ₁	d ₂	d ₃	G				
GKH169	200	786	265	220	22	210	480	500-1	115	122	100	423	Φ135H7	Φ140h6	见附录 A-2 和 A-3 Please see appendix A-2 and A-3			
	340	315-1	210	450	97	70	65	155	580	90	305	Φ33	Φ140H7	Φ180				
	70	522	115	250	50	50	15	385	104	130	442	Φ317	Φ135h6	Φ550				
GKH189	215	942	305	250	5	250	540	600-1	150	117	105	455	Φ155H7	Φ160h6				
	405	355-1	250	550	112	60	67	160	640	95	337	Φ39	Φ160H7	Φ210				
	95	582	135	305	50	50	17	460	110	130	474	Φ367	Φ155h6	Φ550				

注：减速机部分的外形尺寸，未包含通气帽的高度尺寸。通气帽的高度尺寸为 17。

Note: the dimensions don't include the height of the breathe valve. the height of the breathe valve is 17.

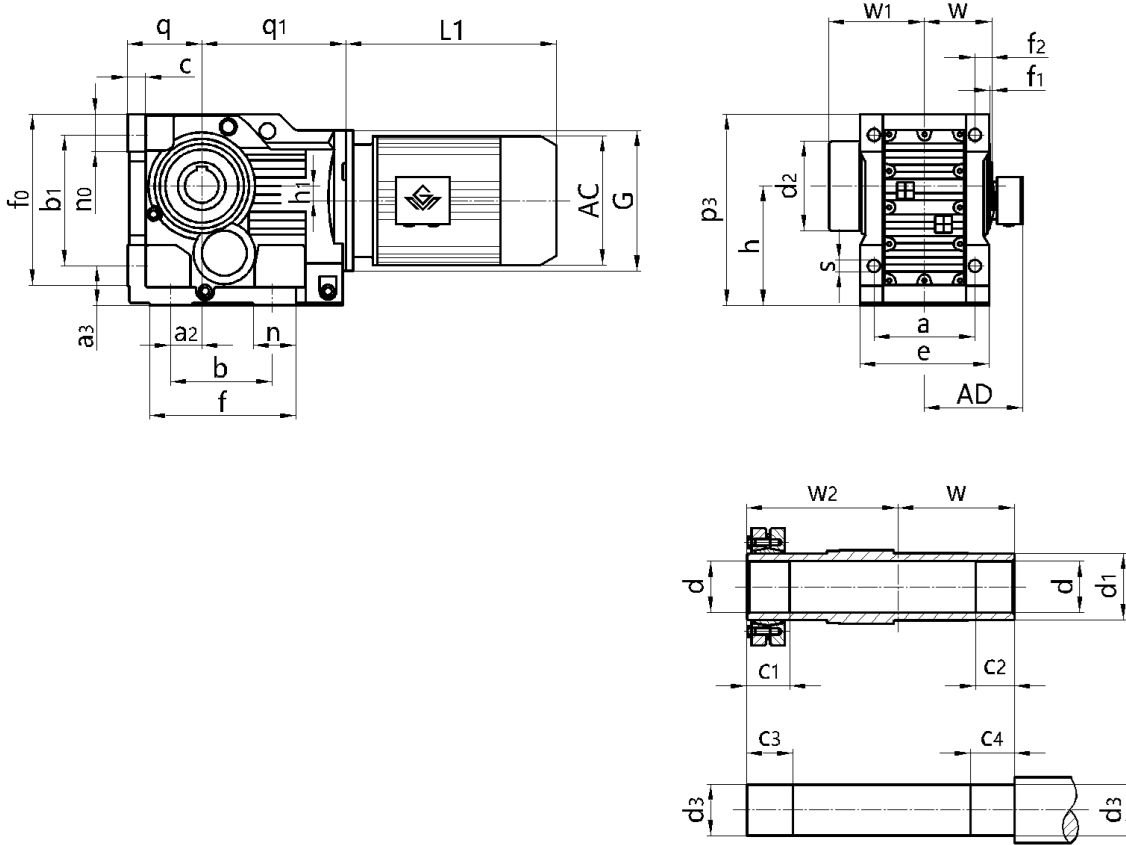
注：电机需方配或配特殊电机时需加联接法兰（见附录 D）

Note: When equipping the user's motor or the special one, the flange is required to connected. (Please see appendix D)

GK 系列斜齿轮-锥齿轮减速电机

安装结构尺寸 GKHB49-109

Mounting Dimensional Description GKHB49-109



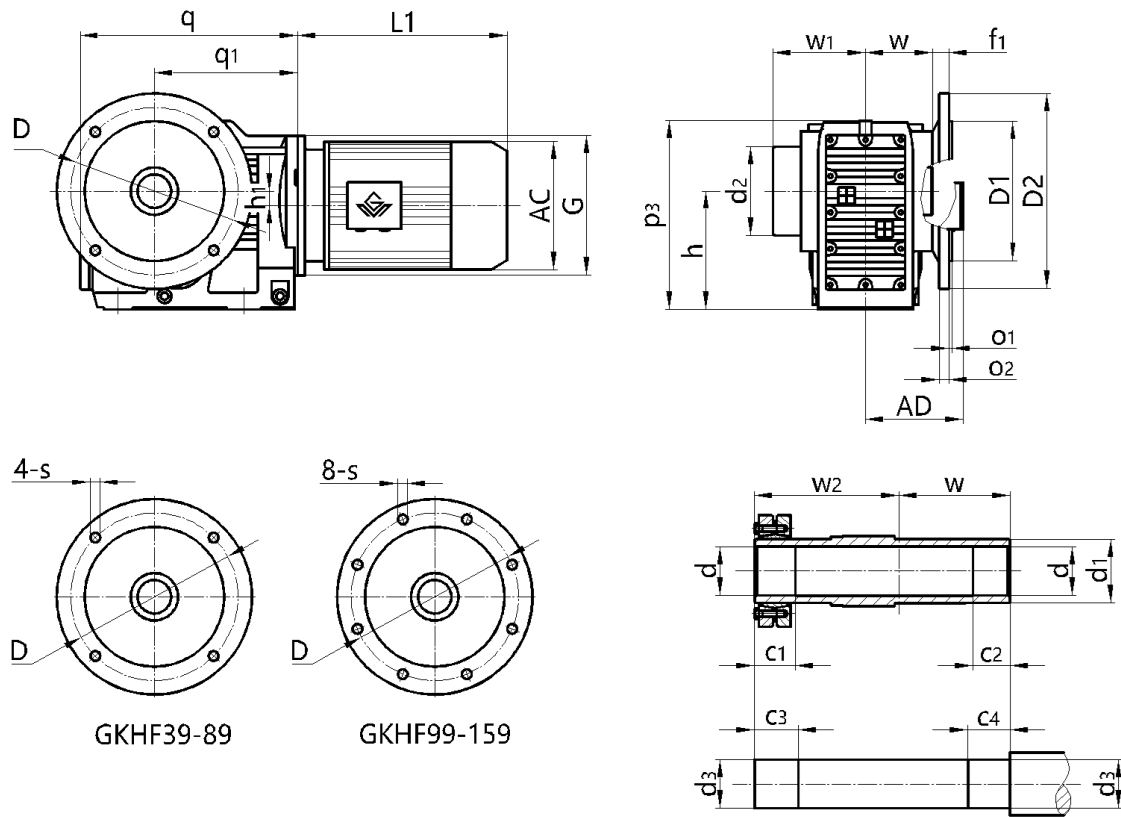
机型号 Type Size	q q ₁	s b	p ₃ a ₂	h n	a b ₁	e a ₃	f ₀ f ₁	w n ₀	d d ₃	c h ₁	d ₁ d ₂	f f ₂	c ₁ c ₂	c ₃ c ₄	w ₁ w ₂	G	电机尺寸 Motor Size			
																	AC	AD	L1	
GKHB49	71 ^{-0.5}	Φ11	185	112 ^{-0.5}	120	145	170	75	Φ35H7	18	Φ50	162	32	37	110	Φ160	见附录 A-2 和 A-3 Please see appendix A-2 and A-3			
	166	130	35	32	130	37	3	37	Φ35h6	7.2	Φ88	15	20	25	102					
GKHB59	80 ^{-0.5}	Φ13.5	217	132 ^{-0.5}	130	157	190	83	Φ40H7	21	Φ55	172	26	31	120	Φ160				
	173	130	30	40	150	45	3	43	Φ40h6	13.1	Φ102	18	20	25	112					
GKHB69	90 ^{-0.5}	Φ13.5	228	140 ^{-0.5}	140	170	203	90	Φ40H7	24	Φ55	170	38	43	126	Φ160				
	179	120	30	45	160	45	3.5	43	Φ40h6	20	Φ102	20	20	25	118					
GKHB79	112 ^{-0.5}	Φ17.5	288	180 ^{-0.5}	165	200	263	105	Φ50H7	27	Φ70	212.5	36	41	146	Φ200				
	202	150	40	55	200	45	4	55	Φ50h6	31.3	Φ127	22.5	30	35	136					
GKHB89	132 ^{-0.5}	Φ22	340	212 ^{-0.5}	180	230	305	120	Φ65H7	32	Φ85	260	41	46	170	Φ250				
	257	180	55	75	233	70	4	67	Φ65h6	25.9	Φ159	30	40	45	161					
GKHB99	160 ^{-0.5}	Φ26	417	265 ⁻¹	240	290	372	150	Φ75H7	36	Φ95	294	55	60	206	Φ300				
	277	240	75	60	295	75	4	82	Φ75h6	32.3	Φ174	30	50	55	195					
GKHB109	200 ^{-0.5}	Φ33	503	315 ⁻¹	270	340	448	175	Φ95H7	40	Φ118	380	65	75	245	Φ350				
	341	280	95	100	360	95	3	90	Φ95h6	52	Φ234	40	60	70	230					

注：减速机部分的外形尺寸，未包含通气帽的高度尺寸。通气帽的高度尺寸为 17。

Note: the dimensions don't include the height of the breathe valve. the height of the breathe valve is 17.

注：电机需方配或配特殊电机时需加联接法兰（见附录 D）

Note: When equipping the user's motor or the special one, the flange is required to connected. (Please see appendix D)

安装结构尺寸
GKHF39-159
Mounting Dimensional Description
GKHF39-159


GKHF39-89

GKHF99-159

机型号 Type Size	q q ₁	h h ₁	o ₁ o ₂	s f ₁	w ₁ w	w ₂ c ₁	c ₂ c ₃	c ₄ D	D1 D2	d ₁ d ₃	d d ₂	p ₃ G	电机尺寸 Motor Size			
													AC	AD	L1	
GKHF39	210	100 ^{-0.5}	3.5	Φ9	95	86	20	25	Φ110j6	Φ45	Φ30H7	164	见附录 A-2 和 A-3 Please see appendix A-2 and A-3			
	139	8.5	10	24	60	31	36	Φ130	Φ30h6	Φ80	Φ120					
GKHF49	243	112 ^{-0.5}	3.5	Φ11	110	102	20	25	Φ130j6	Φ50	Φ35H7	185				
	166	7.2	12	25	75	32	37	Φ165	Φ35h6	Φ88	Φ160					
GKHF59	270	132 ^{-0.5}	4	Φ13.5	120	112	20	25	Φ180j6	Φ55	Φ40H7	215				
	173	13.1	15	23.5	83	26	31	Φ215	Φ40h6	Φ102	Φ160					
GKHF69	275	140 ^{-0.5}	4	Φ13.5	126	118	20	25	Φ180j6	Φ55	Φ40H7	226				
	179	20	15	23	90	38	43	Φ215	Φ40h6	Φ102	Φ160					
GKHF79	313	180 ^{-0.5}	4	Φ13.5	146	136	30	35	Φ230j6	Φ70	Φ50H7	288				
	202	31.3	16	37	105	36	41	Φ265	Φ300	Φ50h6	Φ127	Φ200				
GKHF89	391	212 ^{-0.5}	5	Φ17.5	170	161	40	45	Φ250h6	Φ85	Φ65H7	338				
	257	25.9	18	30	120	41	46	Φ300	Φ350	Φ65h6	Φ159	Φ250				
GKHF99	435	265 ^{-1.0}	5	Φ17.5	206	195	50	55	Φ350h6	Φ95	Φ75H7	417				
	277	32.3	22	41.5	150	55	60	Φ400	Φ450	Φ75h6	Φ174	Φ300				
GKHF109	537	315 ⁻¹	5	Φ17.5	245	230	60	70	Φ350h6	Φ118	Φ95H7	500				
	341	52	22	41	175	65	75	Φ400	Φ450	Φ95h6	Φ234	Φ350				
GKHF129	615	375 ⁻¹	5	Φ17.5	296	280	70	80	Φ450h6	Φ135	Φ105H7	592				
	390	53	25	51	205	85	95	Φ500	Φ550	Φ105h6	Φ250	Φ450				
GKHF159	706	450 ⁻¹	6	Φ22	350	330	80	90	Φ550h6	Φ155	Φ125H7	705				
	426	71.7	28	60	250	90	100	Φ600	Φ660	Φ125h6	Φ287	Φ550				

注：减速机部分的外形尺寸，未包含通气帽的高度尺寸。通气帽的高度尺寸为 17。

Note: the dimensions don't include the height of the breathe valve. the height of the breathe valve is 17.

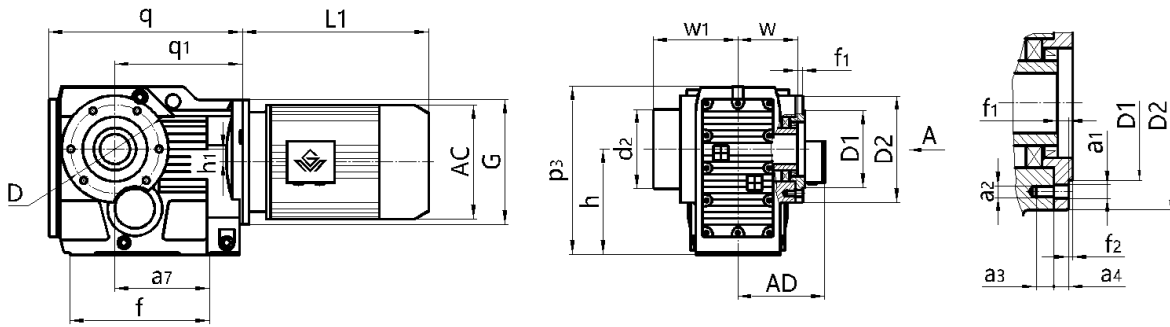
注：电机需方配或配特殊电机时需加联接法兰（见附录 D）

Note: When equipping the user's motor or the special one, the flange is required to connected. (Please see appendix D)

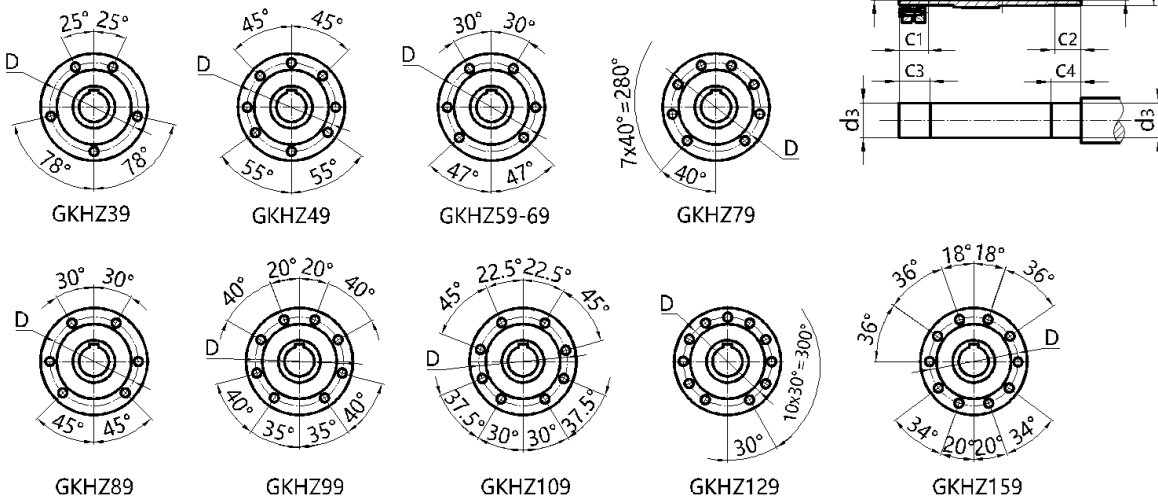
GK 系列斜齿轮-锥齿轮减速电机

安装结构尺寸 GKHZ39-159

Mounting Dimensional Description GKHZ39-159



A向法兰安装结构尺寸 (Fig.A Mounting Dimension)



机型号 Type Size	q q1	D1 D2	h h1	p3 a7	f f1	w w1	G w2	d2 d1	d d3	c1 c2	c3 c4	a3 a4	f2 a2	a1 D	电机尺寸 Motor Size				
															AC	AD	L1		
GKHZ39	210	Φ80j6	100-0.5	164	147	60	Φ120	Φ80	Φ30H7	31	36	12	3	Φ9	见附录 A-2 和 A-3 Please see appendix A-2 and A-3				
	139	Φ110	8.5	97	9	95	86	Φ45	Φ30h6	20	25	11.5	M8	Φ94					
GKHZ49	243	Φ80j6	112-0.5	185	170	75	Φ160	Φ88	Φ35H7	32	37	12	3	Φ9					
	166	Φ120	7.2	115	8	110	102	Φ50	Φ35h6	20	25	11	M8	Φ102					
GKHZ59	270	Φ105j6	132-0.5	215	182	83	Φ160	Φ102	Φ40H7	26	31	20	3.5	Φ13.5					
	173	Φ155	13.1	120	9	120	112	Φ55	Φ40h6	20	25	12	M12	Φ125					
GKHZ69	275	Φ105j6	140-0.5	226	182	90	Φ160	Φ102	Φ40H7	38	43	20	3.5	Φ13.5					
	179	Φ155	20	125	8.5	126	118	Φ55	Φ40h6	20	25	12	M12	Φ125					
GKHZ79	313	Φ125j6	180-0.5	286	204	105	Φ200	Φ127	Φ50H7	36	41	23	3.5	Φ13.5					
	202	Φ170	31.3	139	10	146	136	Φ70	Φ50h6	30	35	14	M12	Φ142					
GKHZ89	391	Φ155j6	212-0.5	338	280	120	Φ250	Φ159	Φ65H7	41	46	30	4	Φ17.5					
	257	Φ215	25.9	190	11	170	161	Φ85	Φ65h6	40	45	15	M16	Φ178					
GKHZ99	435	Φ180j6	265-1	417	298	150	Φ300	Φ174	Φ75H7	55	60	28	4	Φ17.5					
	277	Φ260	32.3	190	14	206	195	Φ95	Φ75h6	50	55	18	M16	Φ220					
GKHZ109	537	Φ210j6	315-1	500	370	175	Φ350	Φ234	Φ95H7	65	75	32	4	Φ22					
	341	Φ304	52	230	-8	245	230	Φ118	Φ95h6	60	70	22	M20	Φ260					
GKHZ129	615	Φ250h6	375-1	592	440	205	Φ450	Φ250	Φ105H7	85	95	36	5	Φ22					
	390	Φ350	53	275	0	296	280	Φ135	Φ105h6	70	80	30	M20	Φ300					
GKHZ159	706	Φ290h6	450-1	705	480	250	Φ550	Φ287	Φ125H7	90	100	42	5	Φ26					
	426	Φ400	71.7	290	-14	350	330	Φ155	Φ125h6	80	90	28	M24	Φ340					

注：减速机部分的外形尺寸，未包含通气帽的高度尺寸。通气帽的高度尺寸为 17。

Note: the dimensions don't include the height of the breathe valve. the height of the breathe valve is 17.

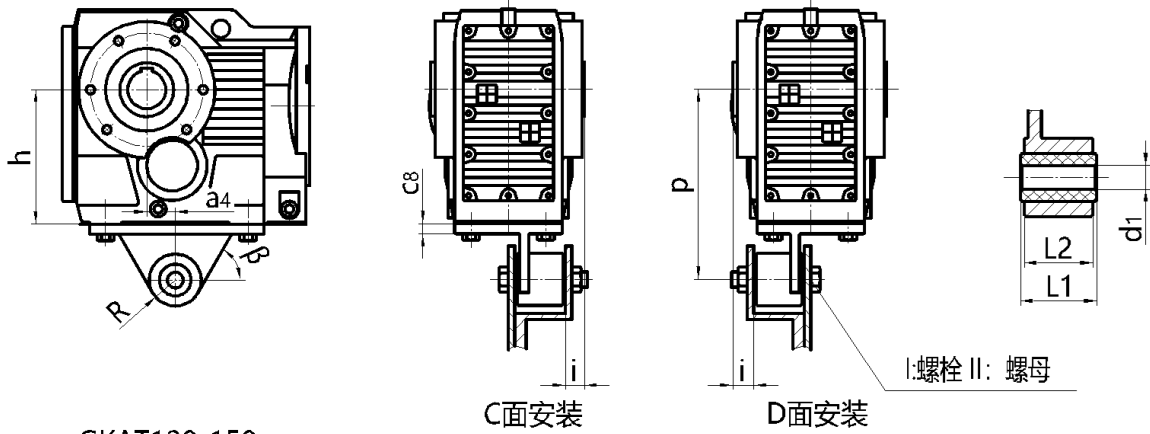
注：电机需方配或配特殊电机时需加联接法兰（见附录 D）

Note: When equipping the user's motor or the special one, the flange is required to connected. (Please see appendix D)

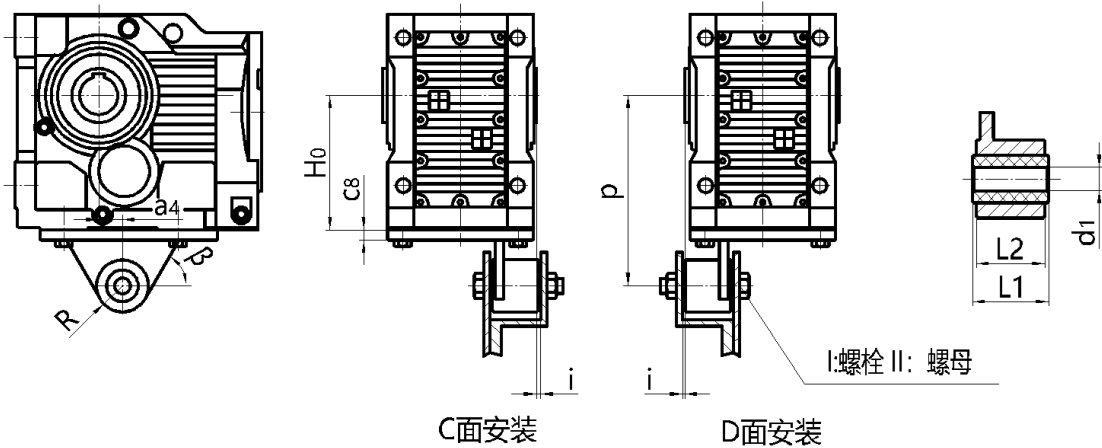
安装结构尺寸
GKAT39-159

Mounting Dimensional Description
GKAT39-159

GKAT39-109



GKAT129-159



机型号 Type Size	a_4	β	c_8	i	P	R	h	d_1	$L1_{-0.3}^0$	$L2$
GKAT39	23.5	60°	10	20	140 ^{+0.2} _{-0.7}	22.5	100 _{-0.5}	10.4 ^{+0.1} _{-0.1}	36	31
GKAT49	30	55°	12	20	160 ^{+0.2} _{-0.7}	22.5	112 _{-0.5}	10.4 ^{+0.1} _{-0.1}	36	31
GKAT59	40	55°	13	18	192 ^{+0.2} _{-0.7}	29	132 _{-0.5}	16.4 ^{+0.08} _{-0.08}	60	54
GKAT69	45	55°	13	25	200 ^{+0.2} _{-0.7}	29	140 _{-0.5}	16.4 ^{+0.08} _{-0.08}	60	54
GKAT79	52.5	64°	14	25	250 ^{+0.2} _{-0.7}	29	180 _{-0.5}	16.4 ^{+0.08} _{-0.08}	60	54
GKAT89	60	60°	16	30	300 ^{+0.2} _{-0.7}	41	212 _{-0.5}	25 ^{+0.08} _{-0.08}	80	72
GKAT99	70	50°	17	40	350 ^{+0.2} _{-1.2}	41	265 ₋₁	25 ^{+0.08} _{-0.08}	100	92
GKAT109	74	55°	20	45	450 ^{+0.5} _{-1.5}	41	315 ₋₁	25 ^{+0.08} _{-0.08}	100	92
GKAT129	60	65°	45	7	550 ^{+0.5} _{-1.5}	70	375 ₋₁	40 ^{+0.08} _{-0.08}	126	110
GKAT159	50	70°	45	2	700 ^{+0.5} _{-1.5}	70	450 ₋₁	40 ^{+0.08} _{-0.08}	126	110

其它尺寸请按照 GKA 型。

注：I：螺栓 II：螺母，均用户自配。

For other dimensions, see the type GKA.

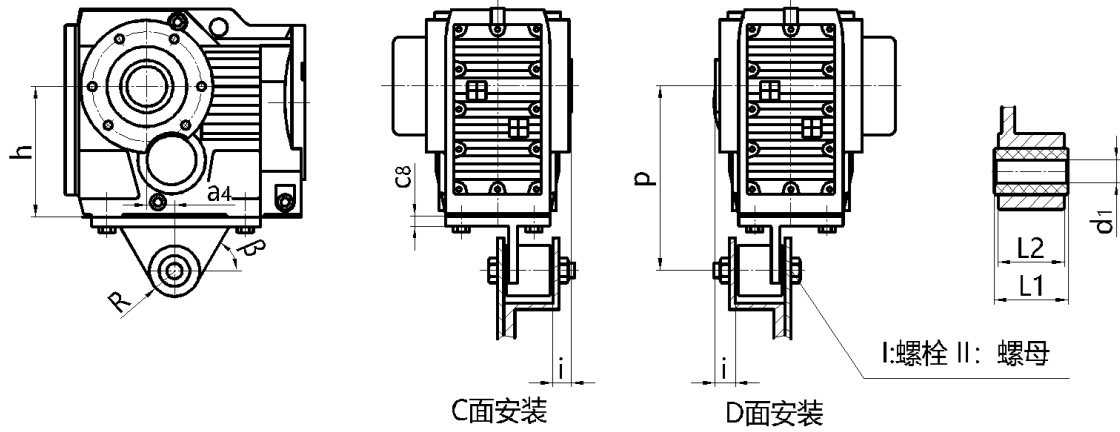
Note: bolts I and nuts II are prepared by customers.

GK 系列斜齿轮-锥齿轮减速电机

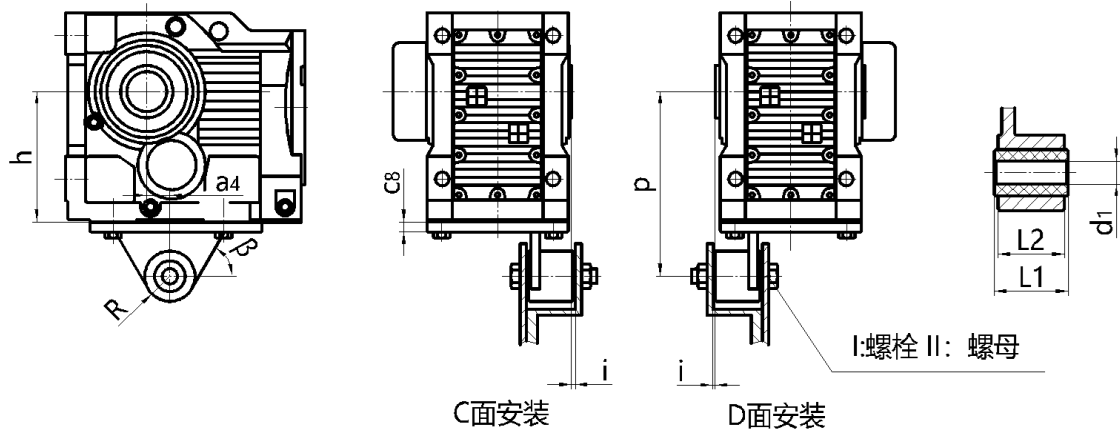
安装结构尺寸 GKHT39-159

Mounting Dimensional Description GKHT39-159

GKHT39-109



GKHT129-159



机型号 Type Size	a_4	β	c_8	i	P	R	h	d_1	$L1_{-0.3}^0$	$L2$
GKHT39	23.5	60°	10	20	140 $^{+0.2}_{-0.7}$	22.5	100 $_{-0.5}$	10.4 $^{+0.1}_{-0.1}$	36	31
GKHT49	30	55°	12	20	160 $^{+0.2}_{-0.7}$	22.5	112 $_{-0.5}$	10.4 $^{+0.1}_{-0.1}$	36	31
GKHT59	40	55°	13	18	192 $^{+0.2}_{-0.7}$	29	132 $_{-0.5}$	16.4 $^{+0.08}_{-0.08}$	60	54
GKHT69	45	55°	13	25	200 $^{+0.2}_{-0.7}$	29	140 $_{-0.5}$	16.4 $^{+0.08}_{-0.08}$	60	54
GKHT79	52.5	64°	14	25	250 $^{+0.2}_{-0.7}$	29	180 $_{-0.5}$	16.4 $^{+0.08}_{-0.08}$	60	54
GKHT89	60	60°	16	30	300 $^{+0.2}_{-0.7}$	41	212 $_{-0.5}$	25 $^{+0.08}_{-0.08}$	80	72
GKHT99	70	50°	17	40	350 $^{+0.2}_{-1.2}$	41	265 $_{-1}$	25 $^{+0.08}_{-0.08}$	100	92
GKHT109	74	55°	20	45	450 $^{+0.5}_{-1.5}$	41	315 $_{-1}$	25 $^{+0.08}_{-0.08}$	100	92
GKHT129	60	65°	45	7	550 $^{+0.5}_{-1.5}$	70	375 $_{-1}$	40 $^{+0.08}_{-0.08}$	126	110
GKHT159	50	70°	45	2	700 $^{+0.5}_{-1.5}$	70	450 $_{-1}$	40 $^{+0.08}_{-0.08}$	126	110

其它尺寸请按照 GKHT 型。

注：I：螺栓 II：螺母，均用户自配。

For other dimensions, see the type GKHT.

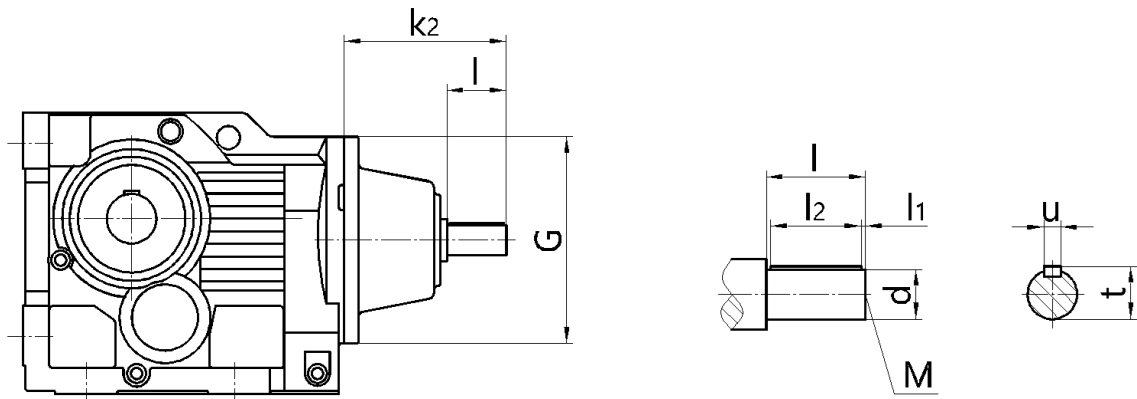
Note: bolts I and nuts II are prepared by customers.

安装结构尺寸

GK..39-189AD1-8

Mounting Dimensional Description

GK..39-189AD1-8



机型号 Type Size	规格 Specification	适用功率范围(kW)/4P Range Power	d	G	k ₂	l	M	l ₁	l ₂	t	u
GK..39	AD1	0.12-0.18	16k6	Φ120	130	40	M5	4	32	18	5
	AD2	0.25-3	19k6	Φ120	130	40	M6	4	32	21.5	6
GK..49	AD2	0.12-1.5	19k6	Φ160	149	40	M6	4	32	21.5	6
	AD3	2.2-3	24k6	Φ160	159	50	M8	5	40	27	8
GK..59/69	AD2	0.12-1.5	19k6	Φ160	149	40	M6	4	32	21.5	6
	AD3	2.2-5.5	24k6	Φ160	159	50	M8	5	40	27	8
GK..79	AD2	0.12-1.5	19k6	Φ200	184	40	M6	4	32	21.5	6
	AD3	2.2-4	24k6	Φ200	194	50	M8	5	40	27	8
	AD4	5.5-11	38k6	Φ200	224	80	M12	5	70	41	10
GK..89	AD2	0.55-1.5	19k6	Φ250	136	40	M6	4	32	21.5	6
	AD3	2.2-4	28k6	Φ250	156	60	M10	5	50	31	8
	AD4	5.5-7.5	38k6	Φ250	262	80	M12	5	70	41	10
GK..99	AD5	11-22	42k6	Φ250	292	110	M16	10	70	45	12
	AD3	1.1-4	28k6	Φ300	194	60	M10	5	50	31	8
	AD4	5.5-7.5	38k6	Φ300	214	80	M12	5	70	41	10
	AD5	11-22	42k6	Φ300	327	110	M16	10	70	45	12
GK..109	AD6	30	48k6	Φ300	327	110	M16	10	80	51.5	14
	AD3	3-4	28k6	Φ350	188	60	M10	5	50	31	8
	AD4	5.5-7.5	38k6	Φ350	208	80	M12	5	70	41	10
	AD5	11-22	42k6	Φ350	321	110	M16	10	70	45	12
GK..129	AD6	30-45	48k6	Φ350	321	110	M16	10	80	51.5	14
	AD4	7.5	38k6	Φ450	270	80	M12	5	70	41	10
	AD5	11-22	42k6	Φ450	300	110	M16	10	90	45	12
	AD6	30-45	48k6	Φ450	300	110	M16	10	90	51.5	14
	AD7	55	55m6	Φ450	300	110	M20	10	90	59	16
GK..159/169/189	AD8	75-90	70m6	Φ450	383	140	M20	15	110	74.5	20
	AD5	11-22	42k6	Φ550	344	110	M16	10	90	45	12
	AD6	30-45	48k6	Φ550	344	110	M16	10	90	51.5	14
	AD7	55-90	55m6	Φ550	344	110	M20	10	90	59	16
	AD8	110-200	70m6	Φ550	374	140	M20	15	110	74.5	20

其它尺寸请参照 GK 型。

注： 1. GKF/GKA/GKAB/GKAF/GKAZ/GKH/GKHF/GKHZ 均可采用双轴型，并分别记为 GKF..AD..、GKA..AD..、GKAB..AD..、GKAF..AD..、GKAZ..AD..、GKH..AD..、GKHF..AD..和 GKHZ..AD..。

2. 通过联轴器联接，可直接参考上表功率范围；若电机和减速机之间是通过其他极数电机、齿轮、链轮、皮带轮等传动方式联接，需客户自行转换。

For other dimensions, see the type GK.

Note: 1. double shafts type is also available for type GKF/GKA/GKAB/GKAF/GKAZ/GKH/GKHF/GKHZ, and these double shafts types are respectively named type GKF..AD..、GKA..AD..、GKAB..AD..、GKAF..AD..、GKAZ..AD..、GKH..AD..、GKHF..AD.. and GKHZ..AD..。

2. Applicable power refers to the input torque of 4 pole motor. If the connect way is coupling, can see the power range on the table directly, if the connect way is other pole motor, sprocket, belt pulley, need customers to convert by themselves.

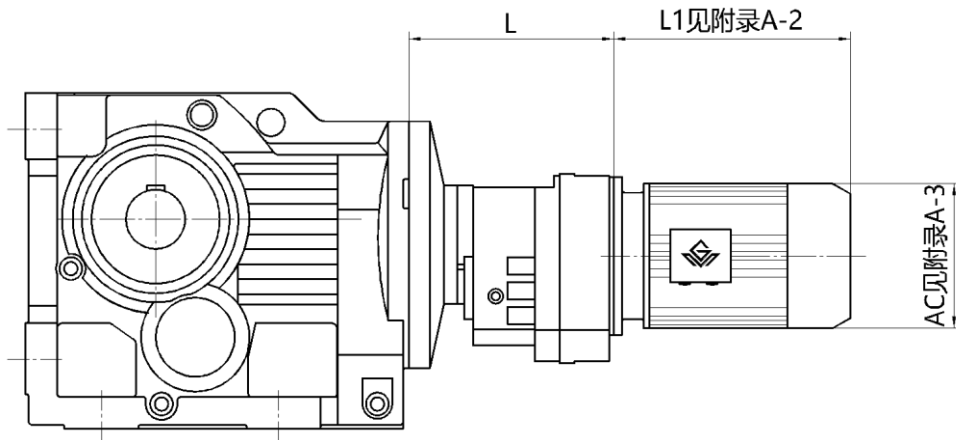
GK 系列斜齿轮-锥齿轮减速电机

安装结构尺寸

GK..R..

Mounting Dimensional Description

GK..R..

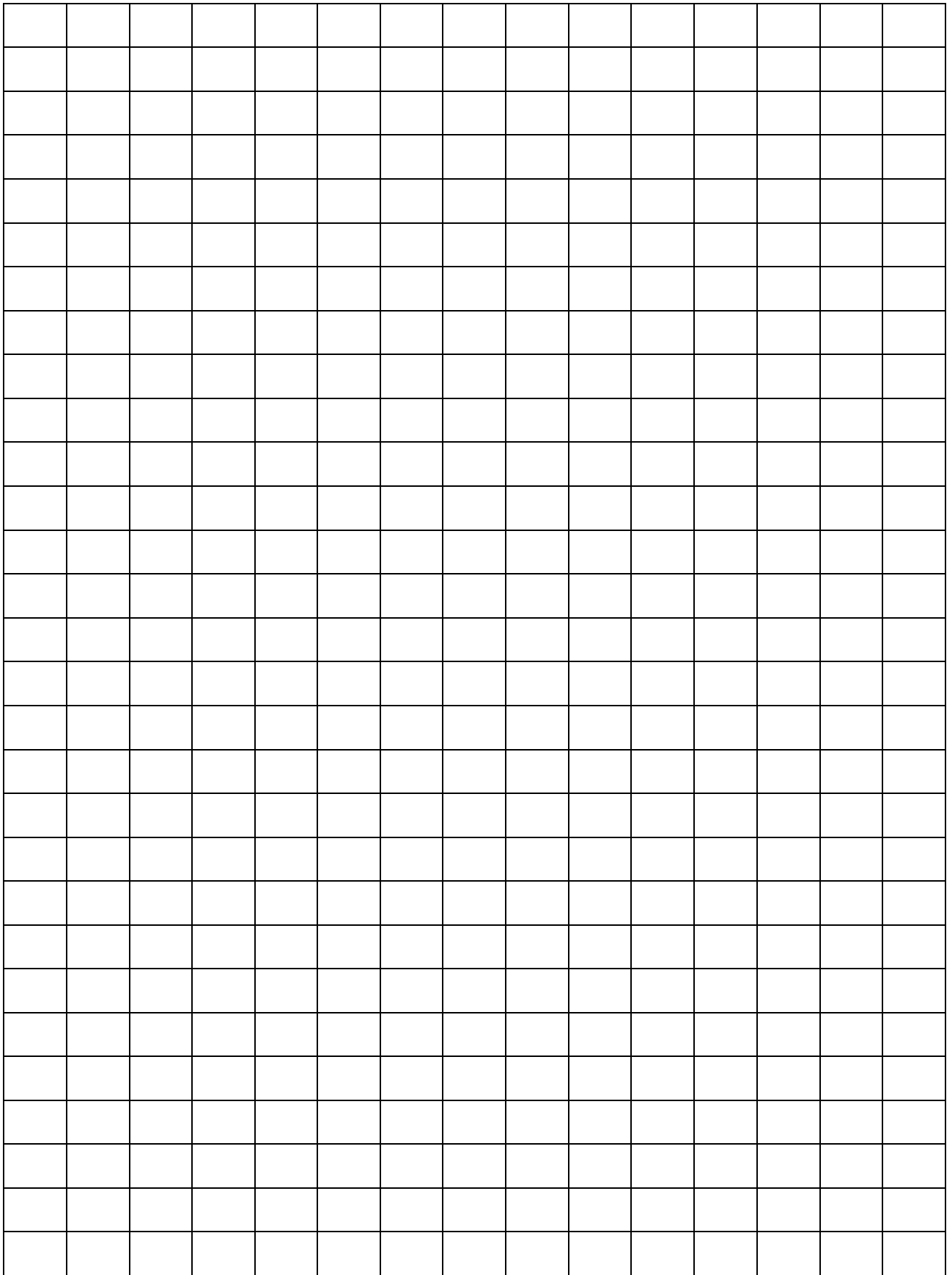


机型号 Type Size	机座号 Frame Size	L
GK..39R19	63	135
	71	
	80	
GK..49R39 GK..69R39	63	163
	71	
	80	
GK..59R39	63	163
	71	
	80	
GK..79R39	63	163
	71	
	80	
	90	
GK..89R59	63	216
	71	
	80	
	90	
GK..99R59	63	216
	71	
	80	
	90	
	100	
GK..109R79	63	251
	71	
	80	
	90	
	100	
	112	
	132	
160		

机型号 Type Size	机座号 Frame Size	L
GK..129R79	63	241
	71	
	80	
	90	
	100	
	112	
GK..129R89	132	280
	160	
	90	
	100	
	112	
GK..159R99 GK..169R99 GK..189R99	132	332
	160	
	180	
	200	
	80	
	90	
GK..159R109 GK..169R109 GK..189R109	100	382
	112	
	132	
	160	
	180	
	200	
	225	

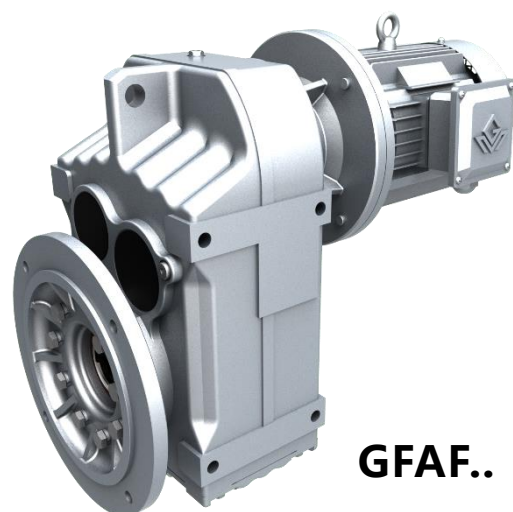
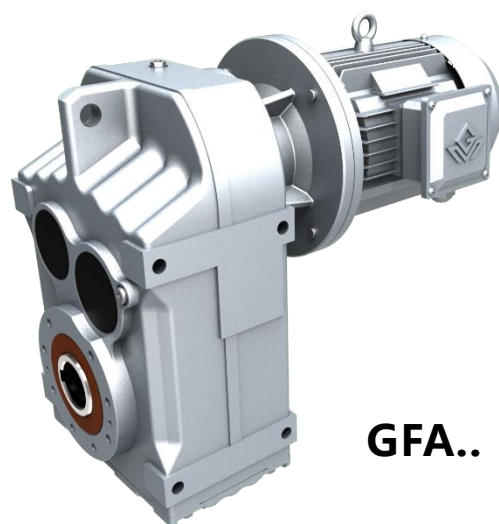
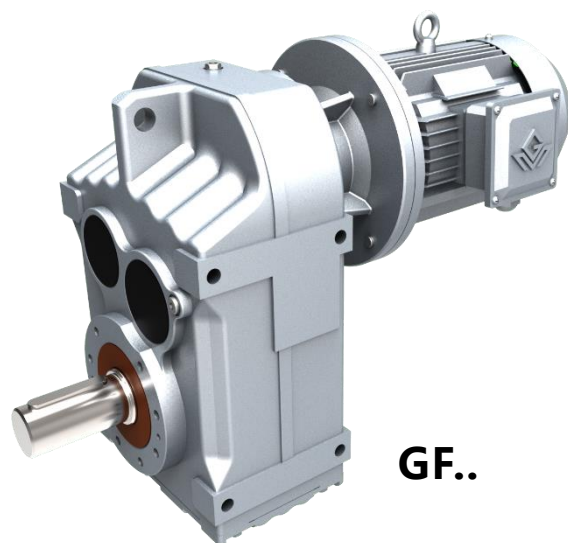
注: GKA/GKAF/GKF/GKAZ/GKH/GKHF/GKHZ 均可采用串联组合机型。

Note: Combined type is also available for type GKA/GKAF/GKF/GKAZ/GKH/GKHF/GKHZ.



GF Series Parallel-Shaft Helical Geared Motors

GF
系列
平行轴
— 斜齿
轮减
速电
机



GF 系列

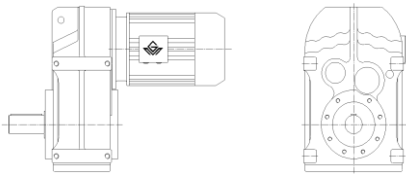
结构形式说明

GF 系列各轴之间的几何位置都互为平行关系，因而亦称为平行轴系列。由两级或三级斜齿轮构成。

Shafts of GF series geared motors are all parallel to each other. Units of GF series all consist of two or three stages helical gears.

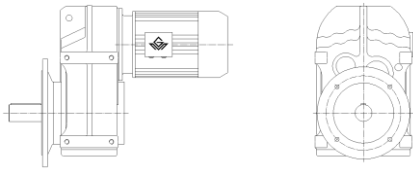
1.GF 型： 底脚安装，输出轴为实心轴。

Type GF: Foot mounted. Solid output shaft.



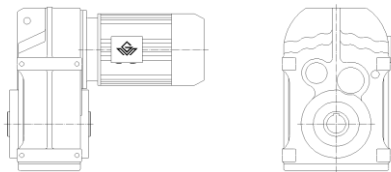
2.GFF 型： B5 法兰安装，输出轴为实心轴。

Type GFF: B5 flange mounted. Solid output shaft.



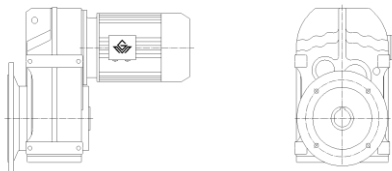
3.GFA 型： 轴装式，输出轴为空心轴。

Type GFA: Shaft mounted. Hollow output shaft.



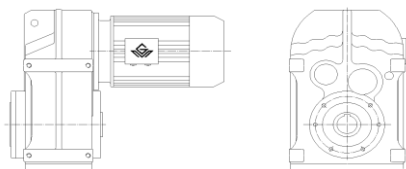
4. GFAF 型： B5 法兰安装，输出轴为空心轴。

Type GFAF: B5 flange mounted. Hollow output shaft.



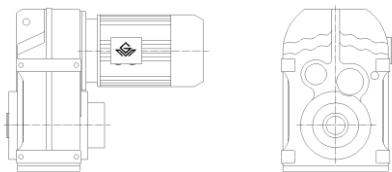
5. GFAZ 型： B14 法兰空心轴安装。

Type GFAZ: B14 flange mounted version with hollow shaft.



6.GFH 型： 空心轴锁紧盘安装。

Type GFH: Hollow shaft and shrink disk mounted.

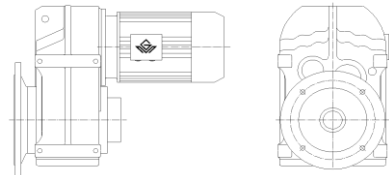


Type of GF Series

Dimensional Description

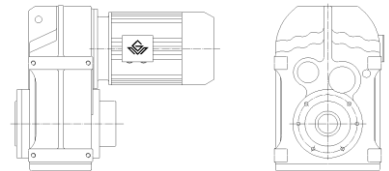
7.GFHF 型： B5 法兰空心轴锁紧盘安装。

Type GFHF: B5 flange mounted version with hollow shaft and shrink disk.



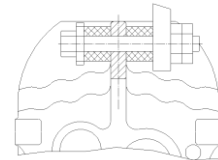
8.GFHZ 型： B14 法兰空心轴锁紧盘安装。

Type GFHZ: B14 flange mounted version with hollow shaft and shrink disk.



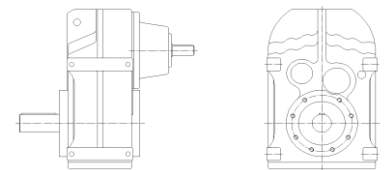
9.GFAT 型/GFHT 型： 即在 GFA/GFH 型上增加防转臂附件后的派生型。

Type GFAT/GFHT: As altered type from type GFA/GFH, this type is added torque arm and other accessories.



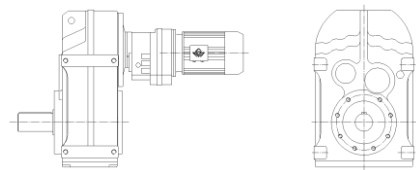
10.GF..AD 型： 轴输入型。

Type GF..AD: Input shaft types .



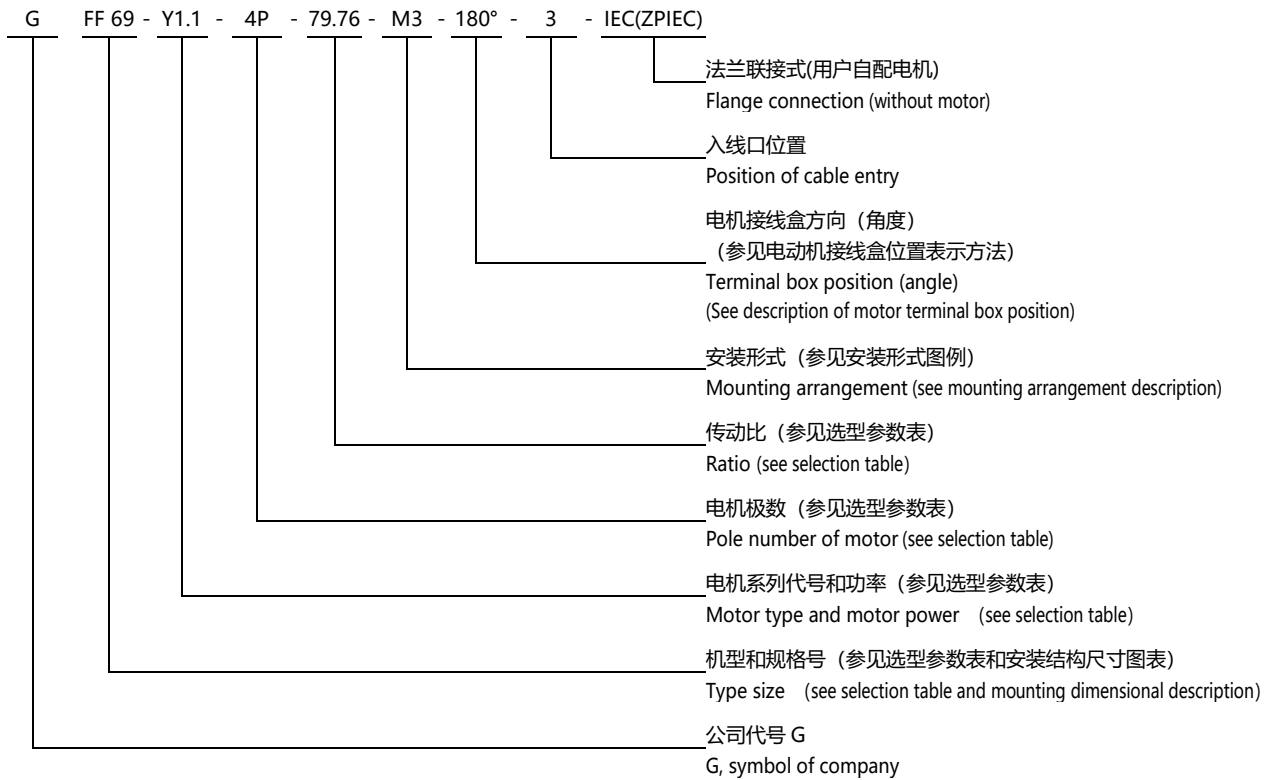
11.GF..R 型： GF 系列和 GR 系列的组合。

Type GF..R: Combined types of type GF and type GR.



型号表示方法

Type Expression of GF Series

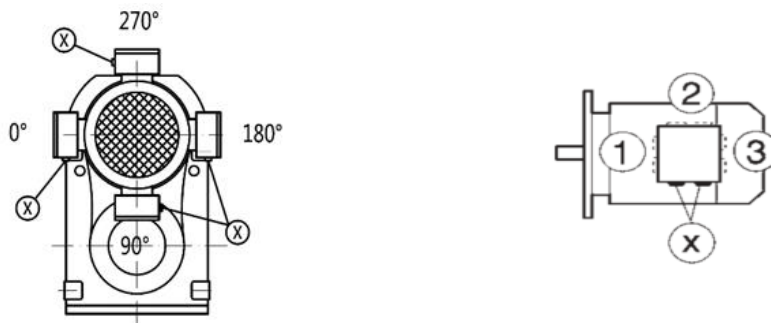


- 注: 1、需带联接法兰时请注明 IEC。
 2、输入轴型没有电动机各项内容。
 3、不注明减速机的安装形式时, 则默认为安装形式中的 M1 位置。不注明接线盒方向时, 则默认为安装形式中的 0 度位置。不注明入线口位置时, 则默认为 X 位置。
 4、对输出轴旋转方向和输入轴旋转方向有特别要求的用户, 请与技术部联系, 并在订货时用简图或文字说明。

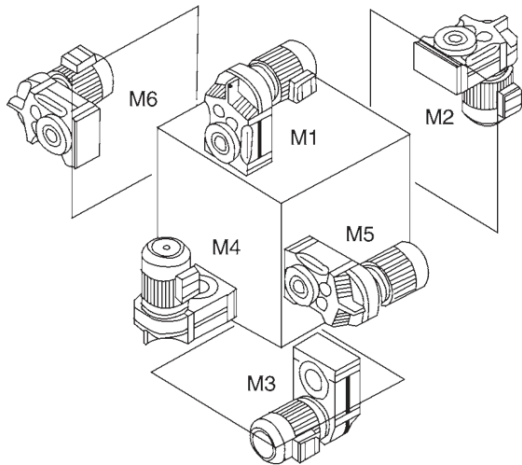
- Note: 1、Please make a note, if it needs connecting flange.
 2、Contents of motors for input shaft types are not listed.
 3、It is M1, When the mounting arrangement of the reducer is not mentioned. Degree=0°, if terminal box position is not mentioned. It is X, if cable entry position is not mentioned.
 4、If specific rotation directions of output shaft or/and input shaft are specially requested, please contact our technology department, and make detailed description while placing order.

电机接线盒位置及入线口位置表示方法

Description of Motor Terminal Box Position and Cable Entry Position



安装形式图例



安装形式定义:

M1—电机水平放置; 减速机底部朝下。

M2—电机居下。

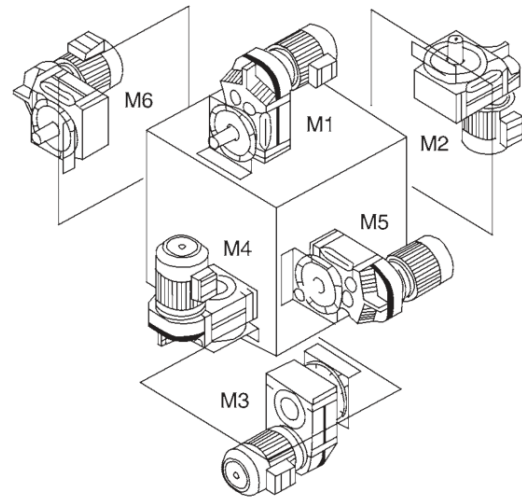
M3—电机水平放置; 减速机底部朝上。

M4—电机居上。

M5—电机水平放置; 当减速机在 M1 安装位置时, 从电机方向看, 减速机的左面旋转到下方位置。

M6—电机水平放置; 当减速机在 M1 安装位置时, 从电机方向看, 减速机的左面旋转到上方位置。

Mounting Arrangements Description



Mounting arrangements are defined as following:

M1—horizontally mounted motor, unit base is at bottom.

M2—motor is vertically mounted downwards.

M3—horizontally mounted motor, unit base is on top.

M4—motor is vertically mounted upwards.

M5—horizontally mounted motor, if placed on M1 position, left side of unit turns to bottom (view point: towards from motor side).

M6—horizontally mounted motor, if placed on M1 position, left side of unit turns to top (view point: towards from motor side).

减速机重量

机型号 Type size	GF39	GF49	GF59	GF69	GF79	GF89	GF99	GF109	GF129	GF159
重量(kg) Weight	15	20	31	35	67	117	195	305	520	950

注:重量为平均值, 不包括电机、联接法兰, 仅供参考。

(Note: The weights mean values without the motor and IEC flange, only for reference.)

Gear Unit Weight

选型参数表注释

恒功率 Constant power

n_a [r/min]	M_a [Nm]	i	F_{Ra} [kN]	f_B	机型号 Type size	极数 Pole
↓	↓	↓	↓	↓		
输出转速 Output speed	输出转矩 Output torque	减速比 Ratio	许用径向载荷 Permissible radial load	使用系数 Service factor		

Description of Selection Table

恒转矩 Constant torque

M_{max} [Nm]	n_a [r/min]	i	F_{Ra} [kN]	机型号 Type size	P [kW]/4P
↓	↓	↓	↓		↓
最大输出转矩 Max.output torque	输出转速 Output speed	减速比 Ratio	许用径向载荷 Permissible radial load		电机功率 Motor power

选型参数表

Selection Table

(恒功率) 0.12kW

(Constant Power) 0.12kW

n _a [r/min]	M _a [Nm]	i	F _{Ra} [kN]	f _B	机型号 Type size	极数 Pole	n _a [r/min]	M _a [Nm]	i	F _{Ra} [kN]	f _B	机型号 Type size	极数 Pole																																																																																																																																																																																																																																																																																																																																																																																																																																																																																																																																																																																																																																																					
0.12kW							0.12kW																																																																																																																																																																																																																																																																																																																																																																																																																																																																																																																																																																																																																																																											
0.06	17605	22298	80	0.80	GFA129R79 GFAF129R79 GF129R79 GFF129R79	4P	1.5	672	851	8.9	0.95	GFA59R39 GFAF59R39 GF59R39 GFF59R39	4P																																																																																																																																																																																																																																																																																																																																																																																																																																																																																																																																																																																																																																																					
0.07	15021	19026	85	0.85			0.08	13135	16637	86	0.95			0.09	11610	14705	86	1.10	0.10	10194	12912	86	1.25	0.11	9192	11643	86	1.35	0.13	8037	10180	86	1.55	0.09	11660	14768	42	0.80	GFA109R79 GFAF109R79 GF109R79 GFF109R79	4P	3.1	336	426	11	1.90	GFA59R39 GFAF59R39 GF59R39 GFF59R39	4P	0.12	8959	11347	48	0.90	0.13	7926	10039	52	1.05	0.15	6749	8548	54	1.25	0.17	6060	7675	54	1.35	0.19	5343	6768	55	1.55	0.22	4701	5954	56	1.75	0.25	4124	5223	57	2.00	0.29	3606	4567	58	2.30	0.37	2780	3521	59	3.00	0.20	5107	6469	29	0.90	GFA99R59 GFAF99R59 GF99R59 GFF99R59	4P	2.4	429	543	6.0	1.00	GFA49R19 GFAF49R19 GF49R19 GFF49R19	4P	0.23	4433	5615	30	1.00	0.26	3917	4961	31	1.15	0.30	3421	4333	32	1.35	0.34	3084	3906	33	1.50	GFA99R59 GFAF99R59 GF99R59 GFF99R59	4P	2.5	414	524	6.1	1.00	GFA49R19 GFAF49R19 GF49R19 GFF49R19	4P	0.39	2646	3352	33	1.70	0.45	2295	2907	34	2.00	0.51	2016	2553	34	2.25	0.31	3351	4245	23	0.95	GFA89R59 GFAF89R59 GF89R59 GFF89R59	4P	4.1	254	322	3.9	0.80	GFA39R19 GFAF39R19 GF39R19 GFF39R19	4P	0.35	2938	3721	25	1.10	0.40	2561	3244	25	1.25	0.45	2275	2881	25	1.40	0.51	2033	2575	26	1.55	GFA89R59 GFAF89R59 GF89R59 GFF89R59	4P	4.7	219	278	4.3	0.95	GFA39R19 GFAF39R19 GF39R19 GFF39R19	4P	0.60	1736	2199	27	1.85	0.68	1524	1930	27	2.10	0.77	1349	1709	27	2.35	0.88	1179	1493	28	2.70	1.0	1026	1300	28	3.10	1.1	906	1148	28	3.50	0.50	2063	2613	13	0.85	GFA79R39 GFAF79R39 GF79R39 GFF79R39	4P	5.4	191	242	4.6	1.10	GFA39R19 GFAF39R19 GF39R19 GFF39R19	4P	0.57	1803	2284	15	0.90	0.65	1603	2030	16	1.00	0.76	1364	1728	17	1.15	0.85	1219	1544	17	1.30	GFA79R39 GFAF79R39 GF79R39 GFF79R39	4P	6.0	174	136.16	11	3.50	GFA59 GFAF59 GF59 GFF59	6P*	0.97	1069	1354	18	1.50	1.1	947	1200	18	1.70	1.2	831	1053	18	1.90	1.4	718	910	19	2.20	1.6	640	810	19	2.50	1.8	561	710	19	2.85	0.92	1128	1429	8.8	0.80	GFA79R39 GFAF79R39 GF79R39 GFF79R39	4P	6.2	163	127.27	11	3.70	GFA59 GFAF59 GF59 GFF59	6P*	1.0	1003	1271	10	0.85	1.2	870	1102	11	1.00	1.4	766	970	11	1.15	1.5	677	858	12	1.30	GFA69R39 GFAF69R39 GF69R39 GFF69R39	4P	6.6	166	199.70	11	3.60	GFA59 GFAF59 GF59 GFF59	4P	1.7	596	755	12	1.45	2.0	506	641	12	1.70	2.3	452	572	12	1.90	2.6	402	509	12	2.15	3.0	345	437	12	2.50	3.0	345	437	12	2.50	4.5	244	190.76	7.1	1.65	GFA49 GFAF49 GF49 GFF49	6P*	6.6	166	199.70	11	3.60	GFA59 GFAF59 GF59 GFF59	4P	4.8	225	175.38	7.3	1.80	5.7	192	150.06	7.4	2.10	6.5	167	130.07	7.5	2.40	7.0	156	121.57	7.6	2.60	GFA49 GFAF49 GF49 GFF49	6P*	6.7	163	127.27	11	3.70	GFA59 GFAF59 GF59 GFF59	4P	8.1	135	105.09	7.7	3.00	9.5	114	89.29	7.7	3.50	11	102	79.72	7.8	3.90	6.9	159	190.76	7.6	2.50	GFA49 GFAF49 GF49 GFF49	4P	7.1	153	183.60	11	3.90	GFA59 GFAF59 GF59 GFF59	6P*	7.5	146	175.38	7.6	2.80	8.7	125	150.06	7.7	3.20	10.1	108	130.07	7.7	3.70	6.6	165	128.51	4.5	1.20	GFA39 GFAF39 GF39 GFF39	6P*	7.2	151	117.88	4.6	1.35	GFA39 GFAF39 GF39 GFF39	6P*	7.2	151	117.88	4.6	1.35	8.5	129	100.36	4.8	1.55	9.8	111	86.53	4.9	1.80	11	103	80.65	5.0	1.95	11	103	80.65	5.0	1.95																																																																																																																																																			
0.08	13135	16637	86	0.95			0.09	11610	14705	86	1.10			0.10	10194	12912	86	1.25	0.11	9192	11643	86	1.35	0.13	8037	10180	86	1.55	0.09	11660	14768	42	0.80	GFA109R79 GFAF109R79 GF109R79 GFF109R79	4P	3.1	336	426			11	1.90	GFA59R39 GFAF59R39 GF59R39 GFF59R39	4P	0.12			8959	11347	48	0.90	0.13	7926	10039	52	1.05	0.15	6749	8548	54	1.25	0.17	6060	7675	54	1.35	0.19	5343	6768	55	1.55	0.22	4701	5954	56	1.75	0.25	4124	5223	57	2.00	0.29	3606	4567	58	2.30	0.37	2780	3521	59	3.00	0.20	5107	6469	29	0.90	GFA99R59 GFAF99R59 GF99R59 GFF99R59			4P	2.4	429	543	6.0			1.00	GFA49R19 GFAF49R19 GF49R19 GFF49R19	4P	0.23	4433	5615	30	1.00	0.26	3917	4961	31	1.15	0.30	3421	4333	32	1.35	0.34	3084			3906	33	1.50	GFA99R59 GFAF99R59 GF99R59 GFF99R59	4P			2.5	414	524	6.1	1.00	GFA49R19 GFAF49R19 GF49R19 GFF49R19	4P	0.39	2646	3352	33	1.70	0.45	2295	2907	34	2.00	0.51	2016	2553			34	2.25	0.31	3351	4245			23	0.95	GFA89R59 GFAF89R59 GF89R59 GFF89R59	4P	4.1	254	322	3.9	0.80	GFA39R19 GFAF39R19 GF39R19 GFF39R19	4P	0.35	2938	3721	25	1.10	0.40	2561	3244	25			1.25	0.45	2275	2881	25			1.40	0.51	2033	2575	26	1.55	GFA89R59 GFAF89R59 GF89R59 GFF89R59	4P	4.7	219	278	4.3	0.95	GFA39R19 GFAF39R19 GF39R19 GFF39R19	4P	0.60	1736	2199	27	1.85	0.68	1524	1930	27	2.10	0.77	1349	1709	27	2.35	0.88	1179	1493	28	2.70			1.0	1026	1300	28	3.10			1.1	906	1148	28	3.50	0.50	2063	2613	13	0.85	GFA79R39 GFAF79R39 GF79R39 GFF79R39	4P	5.4	191	242	4.6	1.10	GFA39R19 GFAF39R19 GF39R19 GFF39R19	4P	0.57			1803	2284	15	0.90	0.65			1603	2030	16	1.00	0.76	1364	1728	17	1.15	0.85	1219	1544	17	1.30	GFA79R39 GFAF79R39 GF79R39 GFF79R39	4P	6.0	174	136.16	11	3.50	GFA59 GFAF59 GF59 GFF59	6P*	0.97	1069	1354	18	1.50	1.1	947	1200	18	1.70	1.2	831			1053	18	1.90	1.4	718			910	19	2.20	1.6	640	810	19	2.50	1.8	561	710	19	2.85	0.92	1128	1429	8.8	0.80	GFA79R39 GFAF79R39 GF79R39 GFF79R39	4P			6.2	163	127.27	11	3.70			GFA59 GFAF59 GF59 GFF59	6P*	1.0	1003	1271	10	0.85	1.2	870	1102	11	1.00	1.4	766	970	11	1.15	1.5	677	858	12	1.30	GFA69R39 GFAF69R39 GF69R39 GFF69R39	4P	6.6	166	199.70	11	3.60	GFA59 GFAF59 GF59 GFF59	4P	1.7	596	755	12			1.45	2.0	506	641	12			1.70	2.3	452	572	12	1.90	2.6	402	509	12	2.15	3.0	345	437	12	2.50	3.0	345	437	12			2.50	4.5	244	190.76	7.1			1.65	GFA49 GFAF49 GF49 GFF49	6P*	6.6	166	199.70	11	3.60	GFA59 GFAF59 GF59 GFF59	4P	4.8	225	175.38	7.3	1.80	5.7	192	150.06	7.4	2.10			6.5	167	130.07	7.5	2.40			7.0	156	121.57	7.6	2.60	GFA49 GFAF49 GF49 GFF49	6P*	6.7	163	127.27	11	3.70	GFA59 GFAF59 GF59 GFF59	4P	8.1	135	105.09	7.7	3.00	9.5			114	89.29	7.7	3.50	11			102	79.72	7.8	3.90	6.9	159	190.76	7.6	2.50	GFA49 GFAF49 GF49 GFF49	4P	7.1	153	183.60	11	3.90	GFA59 GFAF59 GF59 GFF59	6P*	7.5	146	175.38	7.6	2.80	8.7	125	150.06	7.7	3.20	10.1	108	130.07	7.7	3.70	6.6	165	128.51	4.5	1.20	GFA39 GFAF39 GF39 GFF39	6P*	7.2	151	117.88	4.6	1.35	GFA39 GFAF39 GF39 GFF39	6P*	7.2	151	117.88	4.6	1.35	8.5	129	100.36	4.8	1.55	9.8	111	86.53	4.9	1.80	11	103	80.65	5.0	1.95	11	103	80.65	5.0	1.95																																																																																																				
0.09	11610	14705	86	1.10			0.10	10194	12912	86	1.25			0.11	9192	11643	86	1.35	0.13	8037	10180	86	1.55	0.09	11660	14768	42	0.80	GFA109R79 GFAF109R79 GF109R79 GFF109R79	4P	3.1	336	426			11	1.90	GFA59R39 GFAF59R39 GF59R39 GFF59R39			4P	0.12			8959			11347	48	0.90	0.13	7926	10039	52	1.05	0.15	6749	8548	54	1.25	0.17	6060	7675	54	1.35	0.19	5343	6768	55	1.55	0.22	4701	5954	56	1.75	0.25	4124	5223	57	2.00	0.29	3606	4567	58	2.30	0.37	2780	3521	59	3.00	0.20	5107	6469	29	0.90	GFA99R59 GFAF99R59 GF99R59 GFF99R59					4P	2.4	429	543			6.0			1.00	GFA49R19 GFAF49R19 GF49R19 GFF49R19	4P	0.23	4433	5615	30	1.00	0.26	3917	4961	31	1.15	0.30	3421	4333	32			1.35	0.34	3084					3906	33	1.50	GFA99R59 GFAF99R59 GF99R59 GFF99R59	4P			2.5	414	524	6.1	1.00	GFA49R19 GFAF49R19 GF49R19 GFF49R19	4P	0.39	2646	3352	33	1.70	0.45			2295	2907	34	2.00	0.51			2016	2553			34	2.25	0.31	3351	4245			23	0.95	GFA89R59 GFAF89R59 GF89R59 GFF89R59	4P	4.1	254	322	3.9	0.80			GFA39R19 GFAF39R19 GF39R19 GFF39R19	4P	0.35	2938	3721			25	1.10	0.40	2561	3244	25			1.25	0.45	2275	2881	25			1.40	0.51	2033	2575	26	1.55	GFA89R59 GFAF89R59 GF89R59 GFF89R59	4P	4.7	219	278	4.3	0.95	GFA39R19 GFAF39R19 GF39R19 GFF39R19	4P	0.60	1736	2199	27	1.85			0.68	1524	1930	27	2.10			0.77	1349	1709	27	2.35	0.88	1179	1493	28	2.70			1.0	1026	1300	28	3.10			1.1			906	1148	28	3.50	0.50			2063	2613	13	0.85	GFA79R39 GFAF79R39 GF79R39 GFF79R39	4P	5.4	191	242	4.6	1.10	GFA39R19 GFAF39R19 GF39R19 GFF39R19	4P	0.57			1803	2284	15	0.90	0.65			1603	2030	16	1.00	0.76	1364	1728	17	1.15	0.85	1219	1544			17	1.30	GFA79R39 GFAF79R39 GF79R39 GFF79R39	4P	6.0			174	136.16	11	3.50	GFA59 GFAF59 GF59 GFF59	6P*	0.97	1069	1354	18	1.50	1.1	947	1200	18	1.70	1.2	831					1053	18	1.90	1.4	718					910	19	2.20	1.6	640	810	19	2.50	1.8	561	710	19	2.85	0.92	1128	1429	8.8	0.80	GFA79R39 GFAF79R39 GF79R39 GFF79R39	4P			6.2	163	127.27	11	3.70			GFA59 GFAF59 GF59 GFF59	6P*	1.0	1003			1271	10	0.85	1.2	870			1102	11	1.00	1.4	766	970	11	1.15	1.5	677	858	12	1.30	GFA69R39 GFAF69R39 GF69R39 GFF69R39	4P	6.6	166	199.70	11	3.60			GFA59 GFAF59 GF59 GFF59	4P	1.7	596	755			12			1.45	2.0	506	641	12			1.70	2.3	452	572	12	1.90	2.6	402	509	12			2.15	3.0	345	437	12			2.50	3.0	345	437	12			2.50	4.5	244	190.76	7.1			1.65	GFA49 GFAF49 GF49 GFF49	6P*	6.6	166	199.70			11	3.60	GFA59 GFAF59 GF59 GFF59	4P	4.8			225	175.38	7.3	1.80	5.7	192	150.06	7.4	2.10			6.5	167	130.07	7.5	2.40			7.0	156	121.57	7.6	2.60	GFA49 GFAF49 GF49 GFF49	6P*	6.7	163	127.27	11	3.70	GFA59 GFAF59 GF59 GFF59	4P	8.1	135	105.09	7.7	3.00	9.5			114	89.29	7.7	3.50	11			102	79.72	7.8	3.90	6.9	159	190.76	7.6	2.50	GFA49 GFAF49 GF49 GFF49	4P	7.1	153	183.60	11	3.90	GFA59 GFAF59 GF59 GFF59	6P*	7.5	146	175.38	7.6	2.80	8.7	125	150.06	7.7	3.20	10.1	108	130.07	7.7	3.70	6.6	165	128.51	4.5	1.20	GFA39 GFAF39 GF39 GFF39	6P*	7.2	151	117.88	4.6	1.35	GFA39 GFAF39 GF39 GFF39	6P*	7.2	151	117.88	4.6	1.35	8.5	129	100.36	4.8	1.55	9.8	111	86.53	4.9	1.80	11	103	80.65	5.0	1.95	11	103	80.65	5.0	1.95																																																					
0.10	10194	12912	86	1.25			0.11	9192	11643	86	1.35			0.13	8037	10180	86	1.55	0.09	11660	14768	42	0.80	GFA109R79 GFAF109R79 GF109R79 GFF109R79	4P	3.1	336	426			11	1.90	GFA59R39 GFAF59R39 GF59R39 GFF59R39			4P	0.12					8959			11347			48	0.90	0.13	7926	10039	52	1.05	0.15	6749	8548	54	1.25	0.17	6060	7675	54	1.35	0.19	5343	6768	55	1.55	0.22	4701	5954	56	1.75	0.25	4124	5223	57	2.00	0.29	3606	4567	58	2.30	0.37	2780	3521	59	3.00	0.20	5107	6469	29	0.90	GFA99R59 GFAF99R59 GF99R59 GFF99R59							4P	2.4	429			543			6.0			1.00	GFA49R19 GFAF49R19 GF49R19 GFF49R19	4P	0.23	4433	5615	30	1.00	0.26	3917	4961	31	1.15	0.30			3421	4333	32					1.35	0.34	3084					3906	33	1.50	GFA99R59 GFAF99R59 GF99R59 GFF99R59	4P			2.5	414	524	6.1	1.00	GFA49R19 GFAF49R19 GF49R19 GFF49R19			4P	0.39	2646	3352	33			1.70	0.45			2295	2907	34	2.00	0.51			2016	2553			34	2.25	0.31	3351	4245					23	0.95	GFA89R59 GFAF89R59 GF89R59 GFF89R59			4P	4.1	254	322	3.9	0.80			GFA39R19 GFAF39R19 GF39R19 GFF39R19	4P	0.35	2938	3721			25	1.10	0.40	2561	3244	25			1.25	0.45	2275	2881	25			1.40	0.51	2033	2575	26			1.55	GFA89R59 GFAF89R59 GF89R59 GFF89R59	4P	4.7	219			278	4.3	0.95	GFA39R19 GFAF39R19 GF39R19 GFF39R19	4P	0.60	1736	2199	27	1.85			0.68	1524	1930	27	2.10			0.77			1349	1709	27	2.35	0.88			1179	1493	28	2.70			1.0	1026	1300	28	3.10			1.1			906	1148	28	3.50	0.50			2063	2613	13	0.85	GFA79R39 GFAF79R39 GF79R39 GFF79R39	4P	5.4	191	242	4.6	1.10	GFA39R19 GFAF39R19 GF39R19 GFF39R19			4P	0.57			1803			2284	15	0.90	0.65			1603	2030	16	1.00	0.76	1364	1728	17	1.15	0.85	1219	1544					17	1.30	GFA79R39 GFAF79R39 GF79R39 GFF79R39	4P	6.0					174	136.16	11	3.50	GFA59 GFAF59 GF59 GFF59	6P*	0.97	1069	1354	18	1.50	1.1	947	1200	18	1.70	1.2	831					1053	18	1.90	1.4	718					910	19			2.20	1.6	640	810	19			2.50	1.8	561	710	19	2.85	0.92	1128	1429	8.8	0.80	GFA79R39 GFAF79R39 GF79R39 GFF79R39	4P			6.2	163	127.27	11	3.70					GFA59 GFAF59 GF59 GFF59	6P*	1.0			1003			1271	10	0.85	1.2	870			1102	11	1.00	1.4	766	970	11	1.15	1.5	677			858	12	1.30	GFA69R39 GFAF69R39 GF69R39 GFF69R39	4P			6.6	166	199.70	11	3.60			GFA59 GFAF59 GF59 GFF59	4P	1.7	596	755			12			1.45	2.0	506			641	12			1.70			2.3	452	572	12	1.90	2.6	402	509	12			2.15	3.0	345	437	12			2.50	3.0	345	437	12			2.50	4.5	244	190.76	7.1			1.65	GFA49 GFAF49 GF49 GFF49	6P*	6.6	166	199.70			11	3.60	GFA59 GFAF59 GF59 GFF59	4P	4.8			225	175.38	7.3	1.80	5.7	192	150.06	7.4	2.10			6.5	167	130.07	7.5	2.40			7.0	156	121.57	7.6	2.60	GFA49 GFAF49 GF49 GFF49	6P*	6.7	163	127.27	11	3.70	GFA59 GFAF59 GF59 GFF59	4P	8.1	135	105.09	7.7	3.00	9.5			114	89.29	7.7	3.50	11			102	79.72	7.8	3.90	6.9	159	190.76	7.6	2.50	GFA49 GFAF49 GF49 GFF49	4P	7.1	153	183.60	11	3.90	GFA59 GFAF59 GF59 GFF59	6P*	7.5	146	175.38	7.6	2.80	8.7	125	150.06	7.7	3.20	10.1	108	130.07	7.7	3.70	6.6	165	128.51	4.5	1.20	GFA39 GFAF39 GF39 GFF39	6P*	7.2	151	117.88	4.6	1.35	GFA39 GFAF39 GF39 GFF39	6P*	7.2	151	117.88	4.6	1.35	8.5	129	100.36	4.8	1.55	9.8	111	86.53	4.9	1.80	11	103	80.65	5.0	1.95	11	103	80.65	5.0	1.95						
0.11	9192	11643	86	1.35			0.13	8037	10180	86	1.55			0.09	11660	14768	42	0.80	GFA109R79 GFAF109R79 GF109R79 GFF109R79	4P	3.1	336	426			11	1.90	GFA59R39 GFAF59R39 GF59R39 GFF59R39			4P	0.12					8959					11347			48			0.90	0.13	7926	10039	52	1.05	0.15	6749	8548	54	1.25	0.17	6060	7675	54	1.35	0.19	5343	6768	55	1.55	0.22	4701	5954	56	1.75	0.25	4124	5223	57	2.00	0.29	3606	4567	58	2.30	0.37	2780	3521	59	3.00	0.20	5107	6469	29	0.90	GFA99R59 GFAF99R59 GF99R59 GFF99R59				4P	2.4				429	543	6.0	1.00	GFA49R19 GFAF49R19 GF49R19 GFF49R19			4P			0.23			4433	5615	30	1.00	0.26	3917	4961	31	1.15	0.30	3421	4333	32	1.35	0.34	3084			3906	33	1.50	GFA99R59 GFAF99R59 GF99R59 GFF99R59	4P					2.5	414	524					6.1	1.00	GFA49R19 GFAF49R19 GF49R19 GFF49R19	4P	0.39		2646	3352		33	1.70	0.45	2295	2907	34	2.00	0.51			2016	2553	34	2.25	0.31			3351	4245			23	0.95	GFA89R59 GFAF89R59 GF89R59 GFF89R59	4P	4.1					254	322					3.9	0.80	GFA39R19 GFAF39R19 GF39R19 GFF39R19	4P	0.35					2938	3721	25			1.10	0.40	2561	3244	25	1.25			0.45	2275	2881	25	1.40			0.51	2033	2575	26	1.55	GFA89R59 GFAF89R59 GF89R59 GFF89R59	4P	4.7			219	278	4.3	0.95	GFA39R19 GFAF39R19 GF39R19 GFF39R19	4P	0.60			1736	2199	27	1.85	0.68			1524	1930	27	2.10	0.77			1349			1709	27	2.35	0.88	1179			1493	28	2.70	1.0			1026	1300	28	3.10	1.1			906			1148	28	3.50	0.50	2063			2613	13	0.85	GFA79R39 GFAF79R39 GF79R39 GFF79R39			4P	5.4	191	242	4.6		1.10	GFA39R19 GFAF39R19 GF39R19 GFF39R19		4P			0.57	1803	2284	15	0.90	0.65	1603			2030	16	1.00	0.76	1364	1728	17	1.15	0.85	1219	1544	17					1.30	GFA79R39 GFAF79R39 GF79R39 GFF79R39			4P					6.0	174	136.16	11			3.50	GFA59 GFAF59 GF59 GFF59	6P*	0.97	1069	1354	18	1.50	1.1	947	1200	18					1.70	1.2	831	1053	18					1.90	1.4	718	910	19	2.20	1.6	640	810	19	2.50	1.8	561	710	19	2.85	0.92	1128	1429	8.8	0.80	GFA79R39 GFAF79R39 GF79R39 GFF79R39					4P	6.2	163	127.27	11							3.70			GFA59 GFAF59 GF59 GFF59			6P*	1.0	1003	1271	10			0.85	1.2	870	1102	11	1.00	1.4	766	970	11	1.15	1.5	677	858	12			1.30	GFA69R39 GFAF69R39 GF69R39 GFF69R39	4P	6.6	166	199.70	11					3.60	GFA59 GFAF59 GF59 GFF59	4P			1.7			596	755	12			1.45	2.0			506			641	12	1.70	2.3	452	572	12	1.90	2.6			402	509	12	2.15	3.0			345	437	12	2.50	3.0			345	437	12	2.50	4.5			244			190.76	7.1	1.65			GFA49 GFAF49 GF49 GFF49	6P*			6.6			166	199.70	11	3.60	GFA59 GFAF59 GF59 GFF59	4P	4.8	225	175.38			7.3	1.80	5.7	192	150.06			7.4	2.10	6.5	167	130.07			7.5	2.40	7.0	156	121.57			7.6	2.60	GFA49 GFAF49 GF49 GFF49	6P*	6.7	163			127.27	11	3.70	GFA59 GFAF59 GF59 GFF59	4P			8.1	135	105.09	7.7	3.00	9.5	114	89.29	7.7			3.50	11	102	79.72	7.8			3.90	6.9	159	190.76	7.6	2.50	GFA49 GFAF49 GF49 GFF49	4P	7.1	153	183.60	11	3.90	GFA59 GFAF59 GF59 GFF59	6P*	7.5	146	175.38	7.6	2.80			8.7	125	150.06	7.7	3.20			10.1	108	130.07	7.7	3.70	6.6	165	128.51	4.5	1.20	GFA39 GFAF39 GF39 GFF39	6P*	7.2	151	117.88	4.6	1.35	GFA39 GFAF39 GF39 GFF39	6P*	7.2	151	117.88	4.6	1.35	8.5	129	100.36	4.8	1.55	9.8	111
0.13	8037	10180	86	1.55			0.09	11660	14768	42	0.80			GFA109R79 GFAF109R79 GF109R79 GFF109R79	4P	3.1	336	426			11	1.90	GFA59R39 GFAF59R39 GF59R39 GFF59R39			4P	0.12					8959					11347					48			0.90			0.13	7926	10039	52	1.05	0.15	6749	8548	54	1.25	0.17	6060	7675	54	1.35	0.19	5343	6768	55	1.55	0.22	4701	5954	56	1.75	0.25	4124	5223	57	2.00	0.29	3606	4567	58	2.30	0.37	2780	3521	59	3.00	0.20	5107	6469	29	0.90	GFA99R59 GFAF99R59 GF99R59 GFF99R59				4P		2.4	429			543	6.0	1.00	GFA49R19 GFAF49R19 GF49R19 GFF49R19		4P	0.23				4433			5615	30	1.00	0.26	3917	4961	31	1.15	0.30	3421	4333	32	1.35	0.34	3084	3906	33	1.50	GFA99R59 GFAF99R59 GF99R59 GFF99R59	4P	2.5					414	524	6.1	1.00	GFA49R19 GFAF49R19 GF49R19 GFF49R19					4P	0.39			2646		3352	33		1.70	0.45	2295	2907	34	2.00	0.51	2016	2553	34	2.25	0.31	3351	4245	23	0.95	GFA89R59 GFAF89R59 GF89R59 GFF89R59	4P	4.1			254	322			3.9					0.80	GFA39R19 GFAF39R19 GF39R19 GFF39R19					4P	0.35			2938					3721	25	1.10			0.40	2561	3244	25	1.25	0.45			2275	2881	25	1.40	0.51			2033	2575	26	1.55	GFA89R59 GFAF89R59 GF89R59 GFF89R59			4P			4.7	219	278	4.3			0.95			GFA39R19 GFAF39R19 GF39R19 GFF39R19	4P	0.60	1736	2199	27	1.85	0.68	1524	1930	27	2.10	0.77	1349	1709			27	2.35	0.88	1179	1493			28	2.70	1.0	1026			1300	28	3.10	1.1	906			1148			28	3.50	0.50	2063	2613			13	0.85	GFA79R39 GFAF79R39 GF79R39 GFF79R39					4P	5.4	191	242		4.6						1.10	GFA39R19 GFAF39R19 GF39R19 GFF39R19	4P	0.57	1803	2284	15			0.90	0.65	1603	2030	16	1.00	0.76	1364	1728	17	1.15	0.85	1219	1544			17							1.30	GFA79R39 GFAF79R39 GF79R39 GFF79R39	4P	6.0	174	136.16			11			3.50	GFA59 GFAF59 GF59 GFF59	6P*	0.97	1069	1354	18	1.50	1.1					947	1200	18	1.70	1.2					831	1053	18	1.90	1.4	718	910	19	2.20	1.6	640	810	19	2.50	1.8	561	710	19	2.85	0.92	1128							1429	8.8	0.80	GFA79R39 GFAF79R39 GF79R39 GFF79R39							4P				6.2	163		127.27	11	3.70	GFA59 GFAF59 GF59 GFF59	6P*	1.0	1003	1271	10	0.85	1.2	870	1102	11	1.00	1.4	766	970	11	1.15	1.5			677			858	12	1.30	GFA69R39 GFAF69R39 GF69R39 GFF69R39					4P					6.6			166	199.70	11			3.60	GFA59 GFAF59 GF59 GFF59			4P			1.7	596	755	12	1.45	2.0	506	641	12	1.70	2.3	452	572	12	1.90	2.6	402	509	12	2.15	3.0	345	437			12	2.50	3.0	345	437			12			2.50	4.5	244							190.76			7.1	1.65	GFA49 GFAF49 GF49 GFF49	6P*			6.6	166	199.70			11	3.60	GFA59 GFAF59 GF59 GFF59	4P	4.8			225	175.38	7.3	1.80	5.7			192	150.06	7.4	2.10	6.5			167	130.07			7.5	2.40			7.0	156	121.57					7.6	2.60	GFA49 GFAF49 GF49 GFF49	6P*	6.7	163	127.27	11	3.70			GFA59 GFAF59 GF59 GFF59	4P	8.1	135	105.09			7.7	3.00	9.5	114	89.29	7.7			3.50	11	102	79.72	7.8			3.90	6.9	159	190.76	7.6			2.50	GFA49 GFAF49 GF49 GFF49	4P	7.1	153			183.60	11	3.90	GFA59 GFAF59 GF59 GFF59	6P*	7.5	146	175.38	7.6	2.80			8.7	125	150.06	7.7	3.20			10.1	108	130.07	7.7	3.70	6.6	165	128.51	4.5	1.20	GFA39 GFAF39 GF39 GFF39	6P*
0.09	11660	14768	42	0.80	GFA109R79 GFAF109R79 GF109R79 GFF109R79	4P	3.1	336	426	11	1.90	GFA59R39 GFAF59R39 GF59R39 GFF59R39	4P																																																																																																																																																																																																																																																																																																																																																																																																																																																																																																																																																																																																																																																					
0.12	8959	11347	48	0.90			0.13	7926	10039	52	1.05					0.15	6749	8548			54	1.25					0.17					6060					7675		54	1.35		0.19			5343	6768	55	1.55	0.22	4701	5954	56	1.75	0.25	4124	5223	57	2.00	0.29	3606	4567	58	2.30	0.37	2780	3521	59	3.00	0.20	5107	6469	29	0.90	GFA99R59 GFAF99R59 GF99R59 GFF99R59	4P	2.4	429	543	6.0	1.00	GFA49R19 GFAF49R19 GF49R19 GFF49R19	4P	0.23	4433	5615	30	1.00	0.26	3917	4961	31	1.15			0.30	3421			4333	32	1.35	0.34	3084	3906	33				1.50		GFA99R59 GFAF99R59 GF99R59 GFF99R59	4P	2.5	414	524	6.1	1.00	GFA49R19 GFAF49R19 GF49R19 GFF49R19	4P	0.39	2646	3352	33	1.70	0.45	2295	2907	34	2.00	0.51	2016	2553	34			2.25			0.31	3351	4245	23	0.95	GFA89R59 GFAF89R59 GF89R59 GFF89R59		4P	4.1	254	322		3.9			0.80	GFA39R19 GFAF39R19 GF39R19 GFF39R19	4P	0.35	2938	3721	25	1.10	0.40	2561	3244	25	1.25	0.45	2275	2881	25	1.40	0.51	2033	2575			26	1.55	GFA89R59 GFAF89R59 GF89R59 GFF89R59	4P	4.7			219	278	4.3	0.95	GFA39R19 GFAF39R19 GF39R19 GFF39R19	4P		0.60	1736	2199	27		1.85			0.68			1524	1930	27	2.10	0.77			1349	1709	27	2.35	0.88	1179			1493	28	2.70	1.0	1026			1300	28	3.10	1.1							906	1148	28	3.50			0.50					2063	2613	13	0.85	GFA79R39 GFAF79R39 GF79R39 GFF79R39	4P	5.4	191	242	4.6	1.10	GFA39R19 GFAF39R19 GF39R19 GFF39R19	4P	0.57	1803	2284	15	0.90	0.65	1603	2030	16	1.00	0.76	1364	1728	17	1.15	0.85	1219	1544	17	1.30	GFA79R39 GFAF79R39 GF79R39 GFF79R39	4P	6.0			174	136.16	11	3.50	GFA59 GFAF59 GF59 GFF59			6P*	0.97			1069	1354			18	1.50	1.1	947	1200		18				1.70			1.2	831	1053	18			1.90	1.4	718	910	19	2.20	1.6	640	810	19	2.50	1.8	561	710	19	2.85	0.92					1128	1429	8.8			0.80	GFA79R39 GFAF79R39 GF79R39 GFF79R39	4P			6.2			163			127.27	11	3.70	GFA59 GFAF59 GF59 GFF59	6P*	1.0	1003	1271			10	0.85	1.2	870	1102			11	1.00	1.4	766	970	11	1.15	1.5	677	858	12	1.30	GFA69R39 GFAF69R39 GF69R39 GFF69R39	4P	6.6	166	199.70	11	3.60	GFA59 GFAF59 GF59 GFF59	4P	1.7	596		755	12				1.45	2.0	506		641	12			1.70	2.3		452	572		12	1.90		2.6	402	509			12	2.15	3.0	345	437	12	2.50	3.0	345	437	12	2.50	4.5	244	190.76	7.1			1.65			GFA49 GFAF49 GF49 GFF49	6P*	6.6											166	199.70	11	3.60	GFA59 GFAF59 GF59 GFF59	4P	4.8	225	175.38		7.3	1.80		5.7	192	150.06	7.4	2.10	6.5	167	130.07	7.5	2.40	7.0	156	121.57	7.6	2.60	GFA49 GFAF49 GF49 GFF49	6P*	6.7	163	127.27	11	3.70	GFA59 GFAF59 GF59 GFF59	4P	8.1			135	105.09	7.7	3.00	9.5			114	89.29	7.7	3.50	11	102					79.72	7.8	3.90			6.9	159					190.76	7.6	2.50	GFA49 GFAF49 GF49 GFF49	4P	7.1	153			183.60	11	3.90	GFA59 GFAF59 GF59 GFF59	6P*	7.5	146	175.38			7.6	2.80	8.7	125	150.06			7.7	3.20			10.1	108			130.07	7.7	3.70					6.6	165			128.51	4.5	1.20	GFA39 GFAF39 GF39 GFF39	6P*	7.2	151			117.88	4.6	1.35	GFA39 GFAF39 GF39 GFF39	6P*	7.2	151	117.88	4.6	1.35	8.5			129	100.36	4.8	1.55	9.8			111	86.53	4.9	1.80	11			103			80.65	5.0			1.95	11	103			80.65	5.0	1.95																							
0.13	7926	10039	52	1.05			0.15	6749	8548	54	1.25					0.17	6060	7675			54	1.35					0.19					5343		6768	55		1.55		0.22	4701		5954	56	1.75	0.25	4124	5223	57	2.00	0.29	3606	4567	58	2.30	0.37	2780	3521	59	3.00	0.20	5107	6469	29	0.90	GFA99R59 GFAF99R59 GF99R59 GFF99R59	4P	2.4	429	543	6.0	1.00	GFA49R19 GFAF49R19 GF49R19 GFF49R19	4P			0.23	4433	5615	30	1.00			0.26	3917	4961	31	1.15	0.30	3421	4333	32	1.35		0.34	3084	3906		33	1.50	GFA99R59 GFAF99R59 GF99R59 GFF99R59	4P	2.5	414	524	6.1		1.00		GFA49R19 GFAF49R19 GF49R19 GFF49R19	4P			0.39	2646	3352	33	1.70			0.45	2295	2907	34	2.00	0.51	2016	2553	34	2.25	0.31	3351	4245	23			0.95	GFA89R59 GFAF89R59 GF89R59 GFF89R59	4P	4.1	254	322	3.9	0.80				GFA39R19 GFAF39R19 GF39R19 GFF39R19	4P	0.35		2938	3721	25	1.10			0.40	2561	3244	25	1.25	0.45	2275	2881	25	1.40	0.51	2033	2575	26	1.55	GFA89R59 GFAF89R59 GF89R59 GFF89R59	4P	4.7			219	278			4.3	0.95	GFA39R19 GFAF39R19 GF39R19 GFF39R19	4P	0.60	1736	2199				27	1.85	0.68	1524		1930	27	2.10	0.77	1349	1709	27	2.35	0.88	1179	1493	28	2.70	1.0	1026	1300	28	3.10	1.1			906	1148	28	3.50	0.50			2063	2613	13	0.85							GFA79R39 GFAF79R39 GF79R39 GFF79R39	4P	5.4	191			242					4.6	1.10	GFA39R19 GFAF39R19 GF39R19 GFF39R19	4P			0.57	1803	2284	15	0.90			0.65	1603	2030	16	1.00	0.76	1364	1728	17	1.15	0.85	1219	1544	17	1.30	GFA79R39 GFAF79R39 GF79R39 GFF79R39	4P	6.0	174	136.16			11	3.50	GFA59 GFAF59 GF59 GFF59	6P*	0.97	1069	1354		18	1.50		1.1		947	1200	18	1.70		1.2	831	1053	18	1.90	1.4	718	910			19			2.20	1.6	640	810			19	2.50	1.8	561	710	19	2.85	0.92	1128	1429	8.8	0.80	GFA79R39 GFAF79R39 GF79R39 GFF79R39	4P	6.2	163	127.27					11	3.70	GFA59 GFAF59 GF59 GFF59			6P*					1.0			1003			1271	10	0.85			1.2	870	1102	11	1.00	1.4	766	970	11	1.15	1.5	677	858	12	1.30	GFA69R39 GFAF69R39 GF69R39 GFF69R39	4P	6.6	166	199.70	11	3.60	GFA59 GFAF59 GF59 GFF59	4P			1.7	596	755	12	1.45			2.0	506	641	12	1.70			2.3	452	572	12		1.90	2.6			402	509		12	2.15	3.0	345	437	12	2.50	3.0	345			437	12	2.50	4.5	244	190.76	7.1	1.65	GFA49 GFAF49 GF49 GFF49	6P*	6.6	166	199.70	11	3.60	GFA59 GFAF59 GF59 GFF59			4P					4.8		225	175.38						7.3	1.80	5.7	192	150.06	7.4			2.10	6.5	167		130.07	7.5		2.40	7.0	156	121.57	7.6	2.60	GFA49 GFAF49 GF49 GFF49	6P*	6.7	163	127.27	11	3.70	GFA59 GFAF59 GF59 GFF59	4P			8.1	135	105.09	7.7	3.00			9.5			114	89.29	7.7	3.50	11			102	79.72	7.8	3.90	6.9	159	190.76	7.6	2.50	GFA49 GFAF49 GF49 GFF49	4P	7.1	153	183.60	11	3.90	GFA59 GFAF59 GF59 GFF59			6P*	7.5	146	175.38	7.6			2.80	8.7			125	150.06	7.7			3.20	10.1	108			130.07	7.7	3.70	6.6	165			128.51	4.5			1.20	GFA39 GFAF39 GF39 GFF39			6P*	7.2	151					117.88	4.6			1.35	GFA39 GFAF39 GF39 GFF39	6P*			7.2	151			117.88	4.6	1.35			8.5	129	100.36	4.8	1.55	9.8	111	86.53	4.9	1.80	11	103	80.65	5.0	1.95	11	103	80.65	5.0	1.95																																								
0.15	6749	8548	54	1.25			0.17	6060	7675	54	1.35					0.19	5343	6768			55	1.55					0.22		4701	5954		56		1.75	0.25		4124	5223	57	2.00	0.29	3606	4567	58	2.30	0.37	2780	3521	59	3.00	0.20	5107	6469	29	0.90	GFA99R59 GFAF99R59 GF99R59 GFF99R59	4P	2.4	429	543	6.0	1.00	GFA49R19 GFAF49R19 GF49R19 GFF49R19	4P			0.23	4433	5615	30	1.00					0.26	3917	4961	31	1.15			0.30	3421	4333	32	1.35	0.34	3084	3906	33	1.50	GFA99R59 GFAF99R59 GF99R59 GFF99R59	4P	2.5	414	524	6.1	1.00			GFA49R19 GFAF49R19 GF49R19 GFF49R19	4P	0.39	2646	3352	33	1.70					0.45	2295	2907	34	2.00			0.51	2016	2553	34	2.25	0.31	3351	4245	23	0.95	GFA89R59 GFAF89R59 GF89R59 GFF89R59	4P	4.1	254	322	3.9	0.80			GFA39R19 GFAF39R19 GF39R19 GFF39R19	4P	0.35	2938	3721		25				1.10	0.40	2561	3244	25	1.25			0.45	2275	2881	25	1.40	0.51	2033	2575	26	1.55	GFA89R59 GFAF89R59 GF89R59 GFF89R59	4P	4.7	219	278			4.3	0.95	GFA39R19 GFAF39R19 GF39R19 GFF39R19	4P	0.60			1736	2199			27	1.85	0.68			1524	1930	27	2.10	0.77	1349	1709	27	2.35	0.88	1179	1493	28	2.70	1.0	1026	1300	28	3.10	1.1	906	1148	28	3.50	0.50	2063	2613	13	0.85	GFA79R39 GFAF79R39 GF79R39 GFF79R39	4P	5.4	191	242	4.6	1.10	GFA39R19 GFAF39R19 GF39R19 GFF39R19	4P									0.57	1803			2284					15	0.90					0.65	1603	2030	16	1.00			0.76	1364	1728	17	1.15	0.85	1219	1544	17	1.30	GFA79R39 GFAF79R39 GF79R39 GFF79R39	4P	6.0	174	136.16			11	3.50	GFA59 GFAF59 GF59 GFF59			6P*	0.97			1069	1354	18		1.50	1.1		947	1200	18	1.70	1.2	831	1053	18	1.90	1.4	718	910	19	2.20	1.6	640	810	19	2.50	1.8	561	710	19	2.85	0.92	1128	1429	8.8	0.80	GFA79R39 GFAF79R39 GF79R39 GFF79R39	4P	6.2	163	127.27	11	3.70	GFA59 GFAF59 GF59 GFF59	6P*			1.0	1003	1271					10	0.85									1.2			870			1102	11	1.00			1.4	766	970	11	1.15	1.5	677	858	12	1.30	GFA69R39 GFAF69R39 GF69R39 GFF69R39	4P	6.6	166	199.70			11	3.60	GFA59 GFAF59 GF59 GFF59	4P	1.7					596	755	12	1.45	2.0			506	641	12	1.70	2.3	452	572	12	1.90	2.6	402	509	12	2.15	3.0	345	437	12	2.50	3.0	345	437	12	2.50	4.5	244	190.76	7.1	1.65	GFA49 GFAF49 GF49 GFF49	6P*	6.6	166	199.70	11	3.60	GFA59 GFAF59 GF59 GFF59	4P			4.8	225	175.38	7.3	1.80									5.7		192	150.06						7.4	2.10	6.5	167	130.07	7.5			2.40	7.0	156		121.57	7.6		2.60	GFA49 GFAF49 GF49 GFF49	6P*	6.7	163	127.27			11	3.70	GFA59 GFAF59 GF59 GFF59	4P	8.1					135	105.09	7.7	3.00	9.5			114	89.29	7.7	3.50	11	102	79.72	7.8	3.90	6.9	159	190.76	7.6	2.50	GFA49 GFAF49 GF49 GFF49	4P	7.1	153	183.60			11	3.90	GFA59 GFAF59 GF59 GFF59	6P*	7.5		146	175.38		7.6	2.80	8.7	125			150.06	7.7	3.20	10.1	108	130.07	7.7			3.70	6.6	165			128.51	4.5	1.20	GFA39 GFAF39 GF39 GFF39	6P*			7.2	151			117.88		4.6	1.35		GFA39 GFAF39 GF39 GFF39	6P*			7.2	151	117.88	4.6			1.35					8.5	129			100.36	4.8	1.55			9.8	111	86.53	4.9	1.80	11	103	80.65	5.0	1.95	11	103	80.65	5.0	1.95																																													
0.17	6060	7675	54	1.35			0.19	5343	6768	55	1.55					0.22	4701	5954			56	1.75		0.25	4124		5223		57	2.00		0.29	3606	4567	58	2.30	0.37	2780	3521	59	3.00	0.20	5107	6469	29	0.90	GFA99R59 GFAF99R59 GF99R59 GFF99R59	4P	2.4	429	543	6.0	1.00	GFA49R19 GFAF49R19 GF49R19 GFF49R19	4P			0.23	4433	5615	30	1.00					0.26	3917	4961	31	1.15					0.30	3421	4333	32	1.35			0.34	3084	3906	33	1.50	GFA99R59 GFAF99R59 GF99R59 GFF99R59	4P	2.5	414	524			6.1	1.00	GFA49R19 GFAF49R19 GF49R19 GFF49R19	4P	0.39					2646	3352	33	1.70	0.45					2295	2907	34	2.00	0.51			2016	2553	34	2.25	0.31	3351	4245	23	0.95	GFA89R59 GFAF89R59 GF89R59 GFF89R59			4P	4.1	254	322	3.9					0.80	GFA39R19 GFAF39R19 GF39R19 GFF39R19	4P		0.35				2938	3721	25	1.10	0.40	2561			3244	25	1.25	0.45	2275	2881	25	1.40	0.51	2033			2575	26	1.55			GFA89R59 GFAF89R59 GF89R59 GFF89R59	4P			4.7			219	278			4.3	0.95	GFA39R19 GFAF39R19 GF39R19 GFF39R19			4P	0.60	1736	2199	27	1.85	0.68	1524	1930	27	2.10	0.77	1349	1709	27	2.35	0.88	1179	1493	28	2.70	1.0	1026	1300	28	3.10	1.1	906	1148			28	3.50	0.50	2063	2613							13	0.85			GFA79R39 GFAF79R39 GF79R39 GFF79R39	4P			5.4	191	242			4.6	1.10					GFA39R19 GFAF39R19 GF39R19 GFF39R19	4P	0.57	1803	2284			15	0.90	0.65	1603	2030	16	1.00	0.76	1364	1728			17	1.15	0.85			1219	1544					17			1.30	GFA79R39 GFAF79R39 GF79R39 GFF79R39	4P		6.0	174		136.16	11	3.50	GFA59 GFAF59 GF59 GFF59	6P*	0.97	1069	1354	18	1.50	1.1	947	1200	18	1.70	1.2	831	1053	18	1.90	1.4	718	910	19	2.20	1.6	640	810	19			2.50	1.8	561	710	19					2.85	0.92	1128		1429	8.8		0.80	GFA79R39 GFAF79R39 GF79R39 GFF79R39							4P	6.2	163			127.27			11	3.70	GFA59 GFAF59 GF59 GFF59			6P*	1.0	1003	1271	10	0.85	1.2	870	1102	11			1.00	1.4	766			970	11			1.15					1.5	677	858	12	1.30			GFA69R39 GFAF69R39 GF69R39 GFF69R39	4P	6.6	166	199.70	11	3.60	GFA59 GFAF59 GF59 GFF59	4P	1.7	596	755	12	1.45	2.0	506	641	12	1.70	2.3	452	572	12	1.90	2.6	402	509	12	2.15			3.0	345	437	12	2.50					3.0	345	437	12	2.50		4.5	244						190.76		7.1	1.65	GFA49 GFAF49 GF49 GFF49	6P*				6.6	166	199.70	11	3.60	GFA59 GFAF59 GF59 GFF59			4P	4.8	225		175.38	7.3		1.80			5.7	192	150.06			7.4	2.10			6.5					167	130.07	7.5	2.40	7.0			156	121.57	7.6	2.60	GFA49 GFAF49 GF49 GFF49	6P*	6.7	163	127.27	11	3.70	GFA59 GFAF59 GF59 GFF59	4P	8.1			135	105.09	7.7			3.00	9.5			114		89.29	7.7		3.50	11	102	79.72			7.8	3.90	6.9	159	190.76	7.6	2.50			GFA49 GFAF49 GF49 GFF49	4P	7.1	153	183.60	11	3.90	GFA59 GFAF59 GF59 GFF59			6P*	7.5	146	175.38			7.6		2.80	8.7						125	150.06	7.7	3.20			10.1					108	130.07			7.7	3.70	6.6			165	128.51	4.5	1.20	GFA39 GFAF39 GF39 GFF39	6P*	7.2	151	117.88	4.6	1.35	GFA39 GFAF39 GF39 GFF39	6P*	7.2	151	117.88	4.6	1.35	8.5	129	100.36	4.8	1.55	9.8	111	86.53	4.9	1.80	11	103	80.65	5.0	1.95	11	103	80.65	5.0	1.95																						
0.19	5343	6768	55	1.55			0.22	4701	5954	56	1.75					0.25	4124	5223	57	2.00	0.29	3606		4567	58		2.30	0.37	2780	3521	59	3.00	0.20	5107	6469	29	0.90	GFA99R59 GFAF99R59 GF99R59 GFF99R59	4P	2.4	429	543	6.0	1.00	GFA49R19 GFAF49R19 GF49R19 GFF49R19	4P			0.23	4433	5615	30	1.00					0.26	3917	4961	31	1.15					0.30	3421	4333	32	1.35			0.34	3084	3906	33	1.50	GFA99R59 GFAF99R59 GF99R59 GFF99R59	4P	2.5	414	524	6.1	1.00	GFA49R19 GFAF49R19 GF49R19 GFF49R19	4P			0.39	2646	3352			33	1.70			0.45					2295	2907	34	2.00	0.51			2016	2553	34	2.25	0.31	3351	4245	23	0.95	GFA89R59 GFAF89R59 GF89R59 GFF89R59	4P	4.1	254	322	3.9	0.80	GFA39R19 GFAF39R19 GF39R19 GFF39R19	4P					0.35	2938	3721	25					1.10			0.40	2561	3244			25	1.25	0.45	2275	2881	25	1.40	0.51	2033	2575	26	1.55	GFA89R59 GFAF89R59 GF89R59 GFF89R59	4P	4.7	219	278	4.3			0.95	GFA39R19 GFAF39R19 GF39R19 GFF39R19	4P							0.60			1736	2199			27	1.85					0.68	1524	1930	27	2.10	0.77	1349	1709	27	2.35	0.88	1179	1493	28	2.70	1.0	1026	1300	28	3.10	1.1	906	1148	28	3.50	0.50	2063	2613			13	0.85	GFA79R39 GFAF79R39 GF79R39 GFF79R39	4P	5.4				191	242		4.6	1.10					GFA39R19 GFAF39R19 GF39R19 GFF39R19	4P	0.57	1803	2284			15	0.90			0.65	1603			2030	16	1.00	0.76	1364	1728	17	1.15	0.85	1219	1544	17	1.30	GFA79R39 GFAF79R39 GF79R39 GFF79R39	4P			6.0	174	136.16			11	3.50					GFA59 GFAF59 GF59 GFF59			6P*				0.97	1069		1354	18	1.50			1.1	947	1200	18	1.70	1.2	831	1053	18	1.90	1.4	718	910	19	2.20	1.6	640	810	19	2.50	1.8	561	710	19			2.85	0.92	1128	1429	8.8					0.80	GFA79R39 GFAF79R39 GF79R39 GFF79R39	4P	6.2	163	127.27	11	3.70						GFA59 GFAF59 GF59 GFF59	6P*		1.0	1003	1271	10	0.85			1.2	870		1102	11		1.00	1.4	766	970	11	1.15	1.5	677	858			12	1.30	GFA69R39 GFAF69R39 GF69R39 GFF69R39			4P	6.6			166					199.70	11	3.60	GFA59 GFAF59 GF59 GFF59	4P					1.7	596	755	12	1.45			2.0	506	641	12	1.70	2.3	452	572	12	1.90	2.6	402	509	12	2.15	3.0	345	437	12	2.50			3.0	345	437	12	2.50					4.5	244	190.76	7.1	1.65		GFA49 GFAF49 GF49 GFF49	6P*		6.6	166	199.70	11	3.60		GFA59 GFAF59 GF59 GFF59	4P				4.8	225	175.38	7.3	1.80	5.7	192		150.06	7.4		2.10	6.5		167	130.07		7.5			2.40	7.0	156			121.57	7.6			2.60					GFA49 GFAF49 GF49 GFF49	6P*	6.7	163	127.27			11	3.70	GFA59 GFAF59 GF59 GFF59	4P			8.1	135	105.09	7.7	3.00			9.5			114	89.29	7.7			3.50	11			102		79.72	7.8		3.90	6.9	159	190.76	7.6	2.50	GFA49 GFAF49 GF49 GFF49	4P	7.1	153	183.60	11	3.90	GFA59 GFAF59 GF59 GFF59	6P*			7.5	146	175.38	7.6	2.80					8.7	125	150.06	7.7	3.20	10.1		108	130.07				7.7	3.70	6.6	165	128.51	4.5			1.20					GFA39 GFAF39 GF39 GFF39	6P*			7.2	151	117.88			4.6	1.35	GFA39 GFAF39 GF39 GFF39	6P*			7.2	151	117.88	4.6	1.35			8.5	129	100.36	4.8	1.55	9.8	111	86.53	4.9	1.80	11	103	80.65	5.0	1.95	11	103	80.65	5.0	1.95																											
0.22	4701	5954	56	1.75			0.25	4124	5223	57	2.00			0.29	3606	4567	58	2.30	0.37	2780	3521	59	3.00	0.20	5107	6469	29	0.90	GFA99R59 GFAF99R59 GF99R59 GFF99R59	4P	2.4	429	543	6.0	1.00	GFA49R19 GFAF49R19 GF49R19 GFF49R19	4P			0.23	4433	5615	30	1.00					0.26	3917	4961	31	1.15					0.30	3421	4333	32	1.35			0.34	3084	3906	33	1.50	GFA99R59 GFAF99R59 GF99R59 GFF99R59	4P	2.5	414	524	6.1	1.00	GFA49R19 GFAF49R19 GF49R19 GFF49R19	4P			0.39	2646	3352	33	1.70					0.45	2295	2907			34	2.00			0.51	2016	2553			34	2.25	0.31	3351	4245	23	0.95	GFA89R59 GFAF89R59 GF89R59 GFF89R59	4P	4.1	254	322	3.9	0.80	GFA39R19 GFAF39R19 GF39R19 GFF39R19	4P			0.35	2938	3721	25	1.10							0.40	2561	3244	25	1.25	0.45			2275			2881	25	1.40	0.51	2033	2575	26	1.55	GFA89R59 GFAF89R59 GF89R59 GFF89R59	4P	4.7	219	278	4.3	0.95	GFA39R19 GFAF39R19 GF39R19 GFF39R19	4P			0.60	1736	2199	27			1.85									0.68			1524	1930			27	2.10					0.77	1349	1709	27	2.35	0.88	1179	1493	28	2.70	1.0	1026	1300	28	3.10	1.1	906	1148	28	3.50	0.50	2063	2613	13	0.85	GFA79R39 GFAF79R39 GF79R39 GFF79R39	4P	5.4			191	242			4.6			1.10	GFA39R19 GFAF39R19 GF39R19 GFF39R19	4P	0.57	1803	2284	15	0.90					0.65	1603	2030	16	1.00	0.76	1364	1728	17	1.15	0.85			1219	1544	17	1.30	GFA79R39 GFAF79R39 GF79R39 GFF79R39	4P	6.0	174	136.16	11	3.50	GFA59 GFAF59 GF59 GFF59	6P*					0.97	1069	1354			18	1.50												1.1	947		1200	18	1.70			1.2	831	1053	18	1.90	1.4	718	910	19	2.20	1.6	640	810	19	2.50	1.8	561	710	19	2.85	0.92	1128	1429	8.8			0.80	GFA79R39 GFAF79R39 GF79R39 GFF79R39	4P	6.2	163			127.27	11	3.70			GFA59 GFAF59 GF59 GFF59	6P*	1.0	1003	1271		10	0.85	1.2	870				1102	11	1.00	1.4	766	970	11	1.15	1.5		677	858		12	1.30	GFA69R39 GFAF69R39 GF69R39 GFF69R39	4P	6.6	166	199.70	11	3.60			GFA59 GFAF59 GF59 GFF59	4P					1.7			596					755	12	1.45							2.0	506	641	12	1.70			2.3	452	572	12	1.90	2.6	402	509	12	2.15	3.0	345	437	12	2.50	3.0	345	437	12	2.50			4.5	244	190.76	7.1	1.65			GFA49 GFAF49 GF49 GFF49	6P*	6.6	166	199.70	11	3.60	GFA59 GFAF59 GF59 GFF59			4P	4.8	225	175.38	7.3	1.80	5.7					192	150.06	7.4	2.10	6.5	167	130.07	7.5		2.40	7.0		156	121.57	7.6	2.60	GFA49 GFAF49 GF49 GFF49	6P*	6.7			163	127.27	11			3.70	GFA59 GFAF59 GF59 GFF59			4P							8.1	135	105.09			7.7	3.00					9.5	114	89.29	7.7	3.50			11			102	79.72	7.8	3.90	6.9	159	190.76			7.6	2.50	GFA49 GFAF49 GF49 GFF49	4P	7.1	153	183.60	11	3.90	GFA59 GFAF59 GF59 GFF59	6P*			7.5	146	175.38	7.6	2.80					8.7	125	150.06	7.7	3.20					10.1	108	130.07	7.7	3.70	6.6		165	128.51				4.5	1.20	GFA39 GFAF39 GF39 GFF39	6P*	7.2	151	117.88	4.6	1.35							GFA39 GFAF39 GF39 GFF39	6P*	7.2	151	117.88			4.6	1.35					8.5	129	100.36	4.8	1.55			9.8	111	86.53	4.9	1.80	11	103	80.65	5.0	1.95	11	103	80.65	5.0	1.95																																
0.25	4124	5223	57	2.00	0.29	3606	4567	58	2.30	0.37	2780	3521	59	3.00	0.20	5107	6469	29	0.90	GFA99R59 GFAF99R59 GF99R59 GFF99R59	4P	2.4	429	543	6.0	1.00	GFA49R19 GFAF49R19 GF49R19 GFF49R19	4P			0.23	4433	5615	30	1.00					0.26	3917	4961	31	1.15					0.30	3421	4333	32	1.35			0.34	3084	3906	33	1.50	GFA99R59 GFAF99R59 GF99R59 GFF99R59	4P	2.5	414	524	6.1	1.00	GFA49R19 GFAF49R19 GF49R19 GFF49R19	4P			0.39	2646	3352	33	1.70					0.45	2295	2907	34	2.00					0.51	2016	2553	34	2.25	0.31	3351			4245	23	0.95	GFA89R59 GFAF89R59 GF89R59 GFF89R59	4P	4.1	254	322	3.9	0.80	GFA39R19 GFAF39R19 GF39R19 GFF39R19	4P			0.35	2938	3721	25	1.10					0.40	2561	3244	25	1.25				0.45	2275		2881	25	1.40	0.51	2033	2575	26	1.55	GFA89R59 GFAF89R59 GF89R59 GFF89R59			4P	4.7	219	278	4.3	0.95	GFA39R19 GFAF39R19 GF39R19 GFF39R19	4P			0.60	1736	2199	27	1.85					0.68	1524	1930	27			2.10									0.77			1349	1709			27	2.35					0.88	1179	1493	28	2.70	1.0	1026	1300	28	3.10	1.1	906	1148	28	3.50	0.50	2063	2613	13	0.85	GFA79R39 GFAF79R39 GF79R39 GFF79R39	4P	5.4	191	242			4.6	1.10	GFA39R19 GFAF39R19 GF39R19 GFF39R19	4P	0.57			1803	2284	15	0.90			0.65	1603	2030	16	1.00					0.76	1364	1728	17	1.15	0.85	1219	1544	17	1.30	GFA79R39 GFAF79R39 GF79R39 GFF79R39			4P	6.0	174	136.16			11	3.50	GFA59 GFAF59 GF59 GFF59	6P*	0.97							1069	1354	18			1.50	1.1												947	1200		18	1.70	1.2			831	1053	18	1.90	1.4	718	910	19	2.20	1.6	640	810	19	2.50	1.8	561	710	19	2.85	0.92	1128	1429	8.8	0.80	GFA79R39 GFAF79R39 GF79R39 GFF79R39	4P	6.2			163	127.27	11	3.70	GFA59 GFAF59 GF59 GFF59	6P*	1.0					1003	1271	10		0.85	1.2	870	1102				11	1.00	1.4	766	970	11	1.15	1.5	677		858	12		1.30	GFA69R39 GFAF69R39 GF69R39 GFF69R39			4P	6.6	166	199.70	11									3.60			GFA59 GFAF59 GF59 GFF59					4P	1.7	596							755	12	1.45	2.0	506			641	12	1.70	2.3	452	572	12	1.90	2.6	402	509	12	2.15	3.0	345	437	12	2.50	3.0	345	437	12	2.50	4.5	244	190.76	7.1	1.65	GFA49 GFAF49 GF49 GFF49			6P*	6.6	166	199.70	11					3.60	GFA59 GFAF59 GF59 GFF59	4P	4.8	225	175.38					7.3	1.80	5.7	192	150.06	7.4	2.10	6.5		167	130.07		7.5	2.40	7.0	156			121.57			7.6	2.60	GFA49 GFAF49 GF49 GFF49			6P*											6.7	163	127.27			11	3.70					GFA59 GFAF59 GF59 GFF59	4P	8.1	135	105.09			7.7	3.00	9.5	114	89.29	7.7	3.50	11	102	79.72	7.8	3.90	6.9	159			190.76	7.6	2.50	GFA49 GFAF49 GF49 GFF49	4P					7.1	153	183.60	11	3.90					GFA59 GFAF59 GF59 GFF59	6P*	7.5	146	175.38					7.6	2.80	8.7	125	150.06	7.7		3.20	10.1				108	130.07			7.7	3.70	6.6	165	128.51									4.5	1.20	GFA39 GFAF39 GF39 GFF39			6P*	7.2					151	117.88	4.6	1.35	GFA39 GFAF39 GF39 GFF39			6P*	7.2	151	117.88	4.6	1.35	8.5	129	100.36	4.8	1.55	9.8	111	86.53	4.9	1.80	11	103	80.65	5.0	1.95	11	103	80.65	5.0	1.95																					
0.29	3606	4567	58	2.30	0.37	2780	3521	59	3.00	0.20	5107	6469	29	0.90	GFA99R59 GFAF99R59 GF99R59 GFF99R59	4P	2.4	429	543			6.0	1.00	GFA49R19 GFAF49R19 GF49R19 GFF49R19	4P	0.23					4433	5615	30	1.00	0.26					3917	4961	31	1.15	0.30			3421	4333	32	1.35	0.34	3084	3906	33	1.50	GFA99R59 GFAF99R59 GF99R59 GFF99R59	4P	2.5	414	524			6.1	1.00	GFA49R19 GFAF49R19 GF49R19 GFF49R19	4P	0.39					2646	3352	33	1.70	0.45					2295	2907	34	2.00	0.51			2016	2553	34	2.25	0.31	3351	4245	23	0.95	GFA89R59 GFAF89R59 GF89R59 GFF89R59	4P	4.1	254	322			3.9	0.80	GFA39R19 GFAF39R19 GF39R19 GFF39R19	4P	0.35					2938	3721	25	1.10	0.40					2561	3244	25	1.25	0.45			2275	2881	25	1.40	0.51	2033	2575	26	1.55	GFA89R59 GFAF89R59 GF89R59 GFF89R59	4P	4.7		219	278		4.3	0.95	GFA39R19 GFAF39R19 GF39R19 GFF39R19	4P	0.60					1736	2199	27	1.85	0.68					1524	1930	27	2.10			0.77									1349	1709	27	2.35	0.88			1179	1493		28	2.70		1.0	1026	1300	28	3.10	1.1	906	1148	28	3.50	0.50	2063	2613	13	0.85	GFA79R39 GFAF79R39 GF79R39 GFF79R39	4P	5.4	191	242			4.6	1.10	GFA39R19 GFAF39R19 GF39R19 GFF39R19			4P	0.57			1803			2284	15	0.90	0.65			1603	2030	16	1.00	0.76	1364	1728			17	1.15	0.85	1219	1544	17	1.30	GFA79R39 GFAF79R39 GF79R39 GFF79R39	4P	6.0		174	136.16		11	3.50	GFA59 GFAF59 GF59 GFF59			6P*	0.97			1069							1354	18	1.50			1.1	947		1200	18								1.70	1.2	831	1053	18	1.90	1.4			718	910	19	2.20	1.6	640	810	19	2.50	1.8	561	710	19	2.85	0.92	1128	1429	8.8	0.80	GFA79R39 GFAF79R39 GF79R39 GFF79R39	4P	6.2	163	127.27			11			3.70	GFA59 GFAF59 GF59 GFF59	6P*	1.0			1003					1271	10	0.85	1.2	870	1102	11	1.00			1.4	766	970	11	1.15	1.5	677	858	12	1.30	GFA69R39 GFAF69R39 GF69R39 GFF69R39	4P	6.6	166	199.70					11	3.60	GFA59 GFAF59 GF59 GFF59	4P									1.7						596	755		12	1.45			2.0	506			641	12	1.70	2.3	452			572	12	1.90	2.6	402	509	12	2.15	3.0	345	437	12	2.50	3.0	345	437	12	2.50	4.5	244	190.76	7.1	1.65	GFA49 GFAF49 GF49 GFF49	6P*	6.6	166	199.70					11	3.60	GFA59 GFAF59 GF59 GFF59	4P					4.8			225	175.38	7.3			1.80	5.7	192	150.06	7.4	2.10	6.5	167	130.07	7.5	2.40	7.0	156	121.57	7.6	2.60	GFA49 GFAF49 GF49 GFF49	6P*			6.7			163	127.27											11	3.70			GFA59 GFAF59 GF59 GFF59	4P	8.1	135	105.09	7.7	3.00							9.5	114	89.29			7.7	3.50	11	102	79.72	7.8	3.90	6.9	159	190.76	7.6	2.50	GFA49 GFAF49 GF49 GFF49	4P			7.1	153	183.60							11	3.90	GFA59 GFAF59 GF59 GFF59	6P*	7.5			146	175.38			7.6	2.80	8.7	125			150.06	7.7	3.20	10.1	108	130.07	7.7		3.70	6.6				165	128.51			4.5	1.20	GFA39 GFAF39 GF39 GFF39	6P*	7.2			151	117.88					4.6	1.35		GFA39 GFAF39 GF39 GFF39	6P*		7.2					151	117.88	4.6	1.35					8.5	129	100.36	4.8	1.55	9.8	111	86.53	4.9	1.80	11	103	80.65	5.0	1.95	11	103	80.65	5.0	1.95																										
0.37	2780	3521	59	3.00	0.20	5107	6469	29	0.90	GFA99R59 GFAF99R59 GF99R59 GFF99R59	4P	2.4	429	543			6.0	1.00	GFA49R19 GFAF49R19 GF49R19 GFF49R19			4P	0.23			4433					5615	30	1.00	0.26	3917			4961	31	1.15	0.30	3421	4333	32	1.35	0.34	3084	3906	33	1.50	GFA99R59 GFAF99R59 GF99R59 GFF99R59	4P	2.5	414	524			6.1	1.00	GFA49R19 GFAF49R19 GF49R19 GFF49R19			4P	0.39			2646					3352	33	1.70	0.45	2295			2907	34	2.00	0.51	2016	2553	34	2.25	0.31	3351	4245	23	0.95	GFA89R59 GFAF89R59 GF89R59 GFF89R59	4P	4.1	254	322			3.9	0.80	GFA39R19 GFAF39R19 GF39R19 GFF39R19			4P	0.35			2938					3721	25	1.10	0.40	2561			3244	25	1.25	0.45	2275	2881	25	1.40	0.51	2033	2575	26	1.55	GFA89R59 GFAF89R59 GF89R59 GFF89R59	4P	4.7	219	278			4.3		0.95	GFA39R19 GFAF39R19 GF39R19 GFF39R19		4P	0.60			1736					2199	27	1.85	0.68	1524					1930	27	2.10	0.77			1349			1709	27					2.35	0.88	1179	1493	28	2.70	1.0	1026	1300		28	3.10		1.1	906	1148	28	3.50	0.50	2063	2613	13	0.85	GFA79R39 GFAF79R39 GF79R39 GFF79R39	4P	5.4	191	242			4.6	1.10	GFA39R19 GFAF39R19 GF39R19 GFF39R19			4P	0.57					1803			2284	15	0.90	0.65	1603	2030	16			1.00	0.76	1364	1728	17	1.15	0.85	1219	1544	17	1.30	GFA79R39 GFAF79R39 GF79R39 GFF79R39	4P	6.0	174	136.16			11		3.50	GFA59 GFAF59 GF59 GFF59		6P*	0.97					1069			1354							18	1.50	1.1	947	1200	18	1.70		1.2	831			1053	18				1.90	1.4	718	910	19	2.20	1.6			640	810	19	2.50	1.8	561	710	19	2.85	0.92	1128	1429	8.8	0.80	GFA79R39 GFAF79R39 GF79R39 GFF79R39	4P	6.2	163	127.27			11	3.70	GFA59 GFAF59 GF59 GFF59			6P*			1.0			1003			1271	10	0.85			1.2	870	1102	11	1.00	1.4	766	970	11	1.15	1.5	677	858	12	1.30	GFA69R39 GFAF69R39 GF69R39 GFF69R39	4P	6.6	166	199.70			11	3.60	GFA59 GFAF59 GF59 GFF59					4P	1.7								596	755		12				1.45	2.0	506	641		12	1.70			2.3	452			572	12	1.90	2.6	402			509	12	2.15	3.0	345	437	12	2.50	3.0	345	437	12	2.50	4.5	244	190.76	7.1	1.65	GFA49 GFAF49 GF49 GFF49	6P*	6.6	166	199.70			11	3.60	GFA59 GFAF59 GF59 GFF59					4P	4.8				225	175.38		7.3			1.80	5.7	192	150.06	7.4	2.10	6.5	167	130.07	7.5	2.40	7.0	156	121.57	7.6	2.60	GFA49 GFAF49 GF49 GFF49	6P*	6.7	163	127.27					11			3.70	GFA59 GFAF59 GF59 GFF59		4P	8.1						135	105.09	7.7	3.00					9.5	114	89.29	7.7	3.50							11	102	79.72			7.8	3.90	6.9	159	190.76	7.6	2.50	GFA49 GFAF49 GF49 GFF49	4P	7.1	153	183.60					11	3.90	GFA59 GFAF59 GF59 GFF59					6P*	7.5	146	175.38			7.6	2.80	8.7	125	150.06			7.7	3.20	10.1	108			130.07	7.7	3.70	6.6	165	128.51	4.5	1.20	GFA39 GFAF39 GF39 GFF39	6P*	7.2			151	117.88			4.6	1.35			GFA39 GFAF39 GF39 GFF39	6P*	7.2	151	117.88					4.6	1.35					8.5					129	100.36	4.8	1.55					9.8	111	86.53	4.9	1.80	11	103	80.65	5.0	1.95	11	103	80.65	5.0	1.95																															
0.20	5107	6469	29	0.90	GFA99R59 GFAF99R59 GF99R59 GFF99R59	4P	2.4	429	543			6.0	1.00	GFA49R19 GFAF49R19 GF49R19 GFF49R19			4P																																																																																																																																																																																																																																																																																																																																																																																																																																																																																																																																																																																																																																																	
0.23	4433	5615	30	1.00			0.26	3917	4961			31	1.15					0.30		3421	4333		32			1.35	0.34	3084	3906	33	1.50	GFA99R59 GFAF99R59 GF99R59 GFF99R59	4P	2.5	414	524	6.1	1.00	GFA49R19 GFAF49R19 GF49R19 GFF49R19	4P	0.39	2646	3352	33	1.70	0.45	2295	2907	34	2.00			0.51	2016	2553			34	2.25		0.31	3351		4245			23	0.95	GFA89R59 GFAF89R59 GF89R59 GFF89R59	4P	4.1	254	322	3.9	0.80	GFA39R19 GFAF39R19 GF39R19 GFF39R19	4P	0.35	2938	3721	25	1.10	0.40	2561	3244	25	1.25	0.45	2275	2881	25			1.40	0.51	2033			2575	26		1.55	GFA89R59 GFAF89R59 GF89R59 GFF89R59		4P			4.7	219	278	4.3	0.95	GFA39R19 GFAF39R19 GF39R19 GFF39R19	4P	0.60	1736	2199	27	1.85	0.68	1524	1930	27	2.10	0.77	1349	1709	27	2.35	0.88	1179	1493			28	2.70	1.0			1026		1300				28			3.10					1.1	906	1148	28	3.50					0.50	2063	2613	13	0.85	GFA79R39 GFAF79R39 GF79R39 GFF79R39	4P			5.4	191	242	4.6	1.10	GFA39R19 GFAF39R19 GF39R19 GFF39R19	4P	0.57	1803	2284	15	0.90	0.65	1603	2030	16	1.00	0.76	1364	1728	17	1.15	0.85	1219	1544	17	1.30	GFA79R39 GFAF79R39 GF79R39 GFF79R39	4P			6.0	174	136.16			11	3.50		GFA59 GFAF59 GF59 GFF59	6P*		0.97		1069	1354		18	1.50	1.1	947	1200	18	1.70	1.2	831	1053	18	1.90	1.4	718	910	19	2.20	1.6	640	810	19	2.50	1.8			561	710	19			2.85		0.92				1128					1429			8.8					0.80	GFA79R39 GFAF79R39 GF79R39 GFF79R39	4P	6.2	163	127.27	11	3.70	GFA59 GFAF59 GF59 GFF59	6P*	1.0	1003	1271		10	0.85		1.2	870	1102	11	1.00	1.4	766	970	11	1.15	1.5	677	858	12	1.30	GFA69R39 GFAF69R39 GF69R39 GFF69R39	4P	6.6	166	199.70	11	3.60	GFA59 GFAF59 GF59 GFF59	4P	1.7			596	755	12			1.45	2.0		506	641		12	1.70	2.3			452	572	12	1.90	2.6	402	509	12	2.15	3.0	345	437	12	2.50	3.0	345	437	12	2.50	4.5	244	190.76	7.1			1.65	GFA49 GFAF49 GF49 GFF49	6P*			6.6	166							199.70			11	3.60				GFA59 GFAF59 GF59 GFF59	4P		4.8	225	175.38		7.3	1.80	5.7	192		150.06	7.4			2.10	6.5	167	130.07	7.5	2.40	7.0	156	121.57	7.6	2.60	GFA49 GFAF49 GF49 GFF49	6P*	6.7	163	127.27	11	3.70	GFA59 GFAF59 GF59 GFF59	4P	8.1	135	105.09	7.7	3.00	9.5	114	89.29	7.7			3.50	11	102			79.72	7.8		3.90	6.9	159	190.76		7.6			2.50	GFA49 GFAF49 GF49 GFF49	4P	7.1	153	183.60	11	3.90	GFA59 GFAF59 GF59 GFF59	6P*	7.5	146	175.38	7.6	2.80	8.7	125	150.06	7.7	3.20	10.1	108	130.07			7.7	3.70	6.6					165	128.51	4.5	1.20				GFA39 GFAF39 GF39 GFF39			6P*	7.2		151	117.88	4.6	1.35					GFA39 GFAF39 GF39 GFF39	6P*	7.2	151	117.88			4.6	1.35			8.5	129	100.36	4.8	1.55	9.8	111	86.53	4.9	1.80	11	103			80.65	5.0	1.95			11	103	80.65	5.0		1.95																																																																																																																					
0.26	3917	4961	31	1.15			0.30	3421	4333			32	1.35		0.34	3084		3906		33	1.50		GFA99R59 GFAF99R59 GF99R59 GFF99R59	4P	2.5	414	524	6.1	1.00	GFA49R19 GFAF49R19 GF49R19 GFF49R19	4P			0.39	2646	3352	33	1.70			0.45	2295	2907	34	2.00	0.51	2016	2553	34	2.25			0.31	3351	4245	23	0.95	GFA89R59 GFAF89R59 GF89R59 GFF89R59	4P		4.1	254		322	3.9	0.80	GFA39R19 GFAF39R19 GF39R19 GFF39R19	4P			0.35	2938	3721	25	1.10			0.40	2561	3244	25	1.25	0.45	2275	2881	25	1.40	0.51	2033	2575	26			1.55	GFA89R59 GFAF89R59 GF89R59 GFF89R59	4P	4.7	219	278	4.3		0.95				GFA39R19 GFAF39R19 GF39R19 GFF39R19	4P	0.60	1736	2199	27	1.85			0.68	1524	1930	27	2.10	0.77	1349	1709	27	2.35	0.88	1179	1493	28	2.70	1.0	1026	1300			28	3.10	1.1			906		1148				28			3.50					0.50	2063	2613	13	0.85			GFA79R39 GFAF79R39 GF79R39 GFF79R39	4P	5.4	191	242	4.6	1.10			GFA39R19 GFAF39R19 GF39R19 GFF39R19	4P	0.57	1803	2284	15	0.90			0.65	1603	2030	16	1.00	0.76	1364	1728	17	1.15	0.85	1219	1544	17	1.30	GFA79R39 GFAF79R39 GF79R39 GFF79R39	4P	6.0	174	136.16					11	3.50	GFA59 GFAF59 GF59 GFF59	6P*	0.97	1069	1354					18	1.50	1.1	947	1200	18	1.70	1.2	831	1053	18	1.90	1.4	718	910	19	2.20	1.6	640	810	19	2.50	1.8	561	710	19	2.85	0.92			1128	1429	8.8			0.80		GFA79R39 GFAF79R39 GF79R39 GFF79R39				4P					6.2			163			127.27	11	3.70			GFA59 GFAF59 GF59 GFF59	6P*	1.0	1003	1271			10	0.85	1.2	870	1102	11	1.00	1.4	766	970	11	1.15	1.5	677	858	12	1.30	GFA69R39 GFAF69R39 GF69R39 GFF69R39	4P	6.6	166	199.70			11	3.60	GFA59 GFAF59 GF59 GFF59	4P	1.7			596			755	12	1.45	2.0	506	641	12		1.70	2.3		452	572	12	1.90	2.6	402	509	12	2.15	3.0	345	437	12	2.50	3.0	345	437	12	2.50	4.5	244	190.76	7.1	1.65	GFA49 GFAF49 GF49 GFF49	6P*	6.6	166			199.70					11	3.60							GFA59 GFAF59 GF59 GFF59			4P	4.8			225			175.38	7.3	1.80	5.7		192	150.06	7.4	2.10		6.5	167	130.07	7.5	2.40	7.0	156	121.57	7.6	2.60	GFA49 GFAF49 GF49 GFF49	6P*	6.7	163	127.27			11	3.70	GFA59 GFAF59 GF59 GFF59	4P	8.1			135	105.09	7.7	3.00	9.5	114	89.29	7.7	3.50			11	102	79.72	7.8	3.90	6.9	159		190.76	7.6	2.50	GFA49 GFAF49 GF49 GFF49		4P	7.1	153	183.60			11	3.90	GFA59 GFAF59 GF59 GFF59	6P*	7.5			146	175.38	7.6	2.80	8.7	125	150.06	7.7	3.20	10.1	108	130.07	7.7			3.70	6.6	165					128.51	4.5	1.20	GFA39 GFAF39 GF39 GFF39								6P*		7.2	151	117.88	4.6	1.35	GFA39 GFAF39 GF39 GFF39					6P*	7.2	151	117.88	4.6	1.35	8.5			129	100.36	4.8	1.55	9.8	111	86.53	4.9	1.80	11	103	80.65			5.0	1.95	11	103	80.65	5.0	1.95																																																																																																																									
0.30	3421	4333	32	1.35			0.34	3084	3906	33	1.50	GFA99R59 GFAF99R59 GF99R59 GFF99R59	4P		2.5	414		524	6.1	1.00	GFA49R19 GFAF49R19 GF49R19 GFF49R19	4P			0.39	2646	3352	33	1.70					0.45	2295	2907	34	2.00			0.51	2016	2553	34	2.25	0.31	3351	4245	23	0.95	GFA89R59 GFAF89R59 GF89R59 GFF89R59	4P	4.1	254	322	3.9	0.80			GFA39R19 GFAF39R19 GF39R19 GFF39R19	4P	0.35	2938	3721	25	1.10					0.40	2561	3244	25	1.25			0.45	2275	2881	25	1.40	0.51	2033	2575	26	1.55	GFA89R59 GFAF89R59 GF89R59 GFF89R59	4P	4.7	219	278	4.3	0.95			GFA39R19 GFAF39R19 GF39R19 GFF39R19	4P	0.60	1736	2199	27		1.85				0.68	1524	1930	27	2.10			0.77	1349	1709	27	2.35	0.88	1179	1493	28	2.70	1.0	1026	1300	28	3.10	1.1	906	1148			28	3.50	0.50			2063		2613				13			0.85			GFA79R39 GFAF79R39 GF79R39 GFF79R39	4P	5.4	191	242	4.6	1.10	GFA39R19 GFAF39R19 GF39R19 GFF39R19	4P			0.57	1803	2284	15	0.90					0.65	1603	2030	16	1.00			0.76	1364	1728	17	1.15	0.85	1219	1544	17	1.30	GFA79R39 GFAF79R39 GF79R39 GFF79R39	4P	6.0	174	136.16			11	3.50	GFA59 GFAF59 GF59 GFF59			6P*	0.97	1069	1354			18	1.50	1.1	947			1200	18	1.70	1.2	831	1053	18	1.90	1.4	718	910	19	2.20	1.6	640	810	19	2.50	1.8	561	710	19	2.85	0.92	1128	1429	8.8	0.80	GFA79R39 GFAF79R39 GF79R39 GFF79R39			4P	6.2	163			127.27								11	3.70		GFA59 GFAF59 GF59 GFF59			6P*	1.0	1003	1271	10	0.85					1.2	870	1102			11	1.00	1.4	766	970	11	1.15	1.5	677	858	12	1.30	GFA69R39 GFAF69R39 GF69R39 GFF69R39	4P	6.6	166	199.70			11	3.60	GFA59 GFAF59 GF59 GFF59			4P	1.7			596			755	12	1.45	2.0	506	641	12	1.70	2.3	452	572	12	1.90	2.6	402	509	12	2.15	3.0	345	437	12	2.50	3.0	345	437	12	2.50	4.5	244	190.76	7.1	1.65	GFA49 GFAF49 GF49 GFF49	6P*	6.6	166	199.70			11	3.60			GFA59 GFAF59 GF59 GFF59					4P	4.8			225	175.38							7.3	1.80	5.7	192			150.06	7.4	2.10	6.5		167	130.07	7.5	2.40		7.0	156	121.57	7.6	2.60	GFA49 GFAF49 GF49 GFF49	6P*	6.7	163	127.27			11	3.70	GFA59 GFAF59 GF59 GFF59			4P	8.1			135			105.09	7.7	3.00	9.5	114	89.29	7.7	3.50	11	102	79.72	7.8	3.90	6.9	159	190.76	7.6	2.50	GFA49 GFAF49 GF49 GFF49	4P	7.1	153		183.60		11	3.90	GFA59 GFAF59 GF59 GFF59			6P*	7.5			146			175.38	7.6	2.80	8.7	125	150.06	7.7	3.20	10.1	108	130.07	7.7	3.70			6.6	165	128.51			4.5	1.20	GFA39 GFAF39 GF39 GFF39	6P*	7.2							151			117.88	4.6	1.35	GFA39 GFAF39 GF39 GFF39	6P*	7.2							151	117.88	4.6	1.35	8.5	129			100.36	4.8	1.55	9.8	111	86.53	4.9	1.80	11	103	80.65	5.0	1.95	11	103	80.65	5.0	1.95																																																																																																																												
0.34	3084	3906	33	1.50	GFA99R59 GFAF99R59 GF99R59 GFF99R59	4P	2.5	414	524	6.1	1.00			GFA49R19 GFAF49R19 GF49R19 GFF49R19	4P																																																																																																																																																																																																																																																																																																																																																																																																																																																																																																																																																																																																																																																			
0.39	2646	3352	33	1.70			0.45	2295	2907	34	2.00					0.51	2016	2553	34	2.25					0.31	3351	4245	23	0.95			GFA89R59 GFAF89R59 GF89R59 GFF89R59	4P	4.1	254	322	3.9	0.80	GFA39R19 GFAF39R19 GF39R19 GFF39R19	4P	0.35	2938	3721	25	1.10	0.40	2561	3244	25	1.25			0.45	2275	2881	25	1.40					0.51	2033	2575	26	1.55			GFA89R59 GFAF89R59 GF89R59 GFF89R59	4P	4.7	219	278	4.3	0.95	GFA39R19 GFAF39R19 GF39R19 GFF39R19	4P	0.60	1736	2199	27	1.85	0.68	1524	1930	27	2.10			0.77	1349	1709	27	2.35					0.88	1179	1493	28		2.70				1.0	1026	1300	28	3.10			1.1	906	1148	28	3.50	0.50	2063	2613	13	0.85	GFA79R39 GFAF79R39 GF79R39 GFF79R39	4P	5.4	191	242	4.6	1.10	GFA39R19 GFAF39R19 GF39R19 GFF39R19			4P	0.57	1803	2284	15	0.90	0.65	1603		2030		16	1.00	0.76	1364	1728	17			1.15	0.85	1219	1544	17					1.30	GFA79R39 GFAF79R39 GF79R39 GFF79R39	4P	6.0	174	136.16	11			3.50	GFA59 GFAF59 GF59 GFF59	6P*	0.97	1069	1354	18	1.50	1.1	947	1200	18	1.70	1.2	831	1053	18			1.90	1.4	718			910	19					2.20	1.6	640			810	19	2.50	1.8			561	710	19	2.85	0.92	1128	1429	8.8	0.80	GFA79R39 GFAF79R39 GF79R39 GFF79R39	4P	6.2	163	127.27	11	3.70	GFA59 GFAF59 GF59 GFF59	6P*	1.0	1003	1271	10	0.85	1.2	870	1102	11	1.00					1.4	766	970	11	1.15	1.5			677			858	12	1.30	GFA69R39 GFAF69R39 GF69R39 GFF69R39		4P	6.6		166	199.70	11	3.60	GFA59 GFAF59 GF59 GFF59	4P	1.7			596	755	12	1.45	2.0	506	641	12	1.70	2.3	452	572	12	1.90	2.6	402	509			12	2.15	3.0			345	437					12			2.50			3.0	345	437	12	2.50	4.5	244	190.76	7.1	1.65	GFA49 GFAF49 GF49 GFF49	6P*	6.6	166	199.70	11	3.60	GFA59 GFAF59 GF59 GFF59	4P	4.8	225	175.38	7.3	1.80	5.7	192	150.06	7.4	2.10	6.5	167	130.07	7.5			2.40	7.0	156			121.57	7.6				2.60	GFA49 GFAF49 GF49 GFF49	6P*	6.7		163		127.27	11	3.70	GFA59 GFAF59 GF59 GFF59			4P	8.1		135	105.09	7.7	3.00	9.5	114	89.29	7.7	3.50	11	102	79.72	7.8	3.90	6.9	159	190.76	7.6	2.50	GFA49 GFAF49 GF49 GFF49	4P			7.1	153	183.60			11	3.90					GFA59 GFAF59 GF59 GFF59			6P*			7.5	146	175.38	7.6	2.80	8.7	125	150.06	7.7	3.20	10.1	108	130.07	7.7	3.70	6.6	165	128.51			4.5	1.20		GFA39 GFAF39 GF39 GFF39		6P*	7.2		151	117.88		4.6			1.35	GFA39 GFAF39 GF39 GFF39	6P*	7.2	151	117.88	4.6	1.35	8.5	129	100.36	4.8	1.55	9.8	111	86.53			4.9	1.80	11	103	80.65	5.0	1.95			11			103			80.65	5.0			1.95																																																																																																																																																																	
0.45	2295	2907	34	2.00			0.51	2016	2553	34	2.25					0.31	3351	4245	23	0.95			GFA89R59 GFAF89R59 GF89R59 GFF89R59	4P	4.1	254	322	3.9	0.80	GFA39R19 GFAF39R19 GF39R19 GFF39R19	4P			0.35	2938	3721	25	1.10			0.40	2561	3244	25	1.25	0.45	2275	2881	25	1.40			0.51	2033	2575	26	1.55	GFA89R59 GFAF89R59 GF89R59 GFF89R59	4P			4.7	219	278	4.3	0.95	GFA39R19 GFAF39R19 GF39R19 GFF39R19	4P			0.60	1736	2199	27	1.85			0.68	1524	1930	27	2.10	0.77	1349	1709	27	2.35			0.88	1179	1493	28	2.70					1.0	1026	1300	28		3.10				1.1	906	1148	28	3.50			0.50	2063	2613	13	0.85	GFA79R39 GFAF79R39 GF79R39 GFF79R39	4P	5.4	191	242			4.6	1.10	GFA39R19 GFAF39R19 GF39R19 GFF39R19	4P	0.57		1803	2284		15	0.90	0.65	1603	2030	16	1.00	0.76	1364	1728	17	1.15	0.85	1219	1544	17			1.30	GFA79R39 GFAF79R39 GF79R39 GFF79R39	4P	6.0	174			136.16	11	3.50			GFA59 GFAF59 GF59 GFF59	6P*	0.97	1069	1354	18	1.50			1.1	947	1200	18	1.70	1.2	831	1053	18	1.90	1.4	718	910	19			2.20	1.6	640			810	19					2.50	1.8	561			710	19	2.85	0.92			1128	1429	8.8	0.80	GFA79R39 GFAF79R39 GF79R39 GFF79R39	4P	6.2	163	127.27			11	3.70	GFA59 GFAF59 GF59 GFF59	6P*	1.0			1003	1271	10	0.85	1.2	870	1102	11	1.00	1.4		766	970		11	1.15	1.5	677	858	12	1.30	GFA69R39 GFAF69R39 GF69R39 GFF69R39	4P	6.6	166	199.70	11	3.60				GFA59 GFAF59 GF59 GFF59		4P	1.7	596	755			12	1.45	2.0	506	641	12	1.70	2.3	452	572	12	1.90	2.6	402	509	12	2.15	3.0	345	437			12	2.50	3.0			345	437					12			2.50			4.5	244	190.76	7.1	1.65	GFA49 GFAF49 GF49 GFF49	6P*	6.6	166	199.70			11	3.60	GFA59 GFAF59 GF59 GFF59	4P	4.8			225	175.38	7.3	1.80	5.7	192	150.06	7.4	2.10	6.5	167	130.07	7.5	2.40			7.0	156	121.57	7.6	2.60	GFA49 GFAF49 GF49 GFF49	6P*	6.7	163		127.27			11		3.70	GFA59 GFAF59 GF59 GFF59	4P	8.1	135		105.09	7.7		3.00	9.5	114	89.29	7.7	3.50	11	102	79.72	7.8	3.90	6.9	159	190.76	7.6	2.50	GFA49 GFAF49 GF49 GFF49	4P	7.1	153	183.60					11	3.90	GFA59 GFAF59 GF59 GFF59			6P*	7.5											146	175.38	7.6	2.80	8.7	125	150.06	7.7	3.20	10.1	108	130.07	7.7	3.70	6.6	165	128.51	4.5			1.20	GFA39 GFAF39 GF39 GFF39	6P*		7.2		151		117.88	4.6		1.35	GFA39 GFAF39 GF39 GFF39	6P*	7.2			151	117.88	4.6	1.35	8.5	129	100.36	4.8	1.55	9.8	111	86.53	4.9	1.80	11	103	80.65	5.0	1.95	11	103	80.65			5.0		1.95																																																																																																																																																																									
0.51	2016	2553	34	2.25			0.31	3351	4245	23	0.95	GFA89R59 GFAF89R59 GF89R59 GFF89R59	4P			4.1	254	322	3.9	0.80	GFA39R19 GFAF39R19 GF39R19 GFF39R19	4P			0.35	2938	3721	25	1.10					0.40	2561	3244	25	1.25			0.45	2275	2881	25	1.40	0.51	2033	2575	26	1.55	GFA89R59 GFAF89R59 GF89R59 GFF89R59	4P	4.7	219	278	4.3	0.95			GFA39R19 GFAF39R19 GF39R19 GFF39R19	4P	0.60	1736	2199	27	1.85					0.68	1524	1930	27	2.10			0.77	1349	1709	27	2.35	0.88	1179	1493	28	2.70			1.0	1026	1300	28	3.10					1.1	906	1148	28		3.50				0.50	2063	2613	13	0.85			GFA79R39 GFAF79R39 GF79R39 GFF79R39	4P	5.4	191	242			4.6	1.10	GFA39R19 GFAF39R19 GF39R19 GFF39R19			4P	0.57			1803		2284	15		0.90	0.65	1603	2030	16	1.00	0.76	1364	1728	17	1.15	0.85	1219	1544	17	1.30	GFA79R39 GFAF79R39 GF79R39 GFF79R39	4P	6.0			174	136.16	11	3.50	GFA59 GFAF59 GF59 GFF59	6P*	0.97					1069	1354	18	1.50	1.1			947	1200	18	1.70	1.2	831	1053	18	1.90	1.4	718	910	19	2.20			1.6	640	810			19	2.50					1.8	561	710			19	2.85	0.92	1128			1429	8.8	0.80	GFA79R39 GFAF79R39 GF79R39 GFF79R39			4P	6.2	163			127.27	11			3.70			GFA59 GFAF59 GF59 GFF59	6P*	1.0	1003	1271	10	0.85	1.2	870	1102	11	1.00	1.4	766	970	11	1.15	1.5	677	858	12			1.30	GFA69R39 GFAF69R39 GF69R39 GFF69R39	4P	6.6	166		199.70			11		3.60	GFA59 GFAF59 GF59 GFF59	4P			1.7	596	755	12	1.45	2.0	506	641	12	1.70	2.3	452	572	12	1.90	2.6	402	509	12	2.15			3.0	345	437			12	2.50					3.0			345			437	12	2.50	4.5	244			190.76	7.1	1.65			GFA49 GFAF49 GF49 GFF49	6P*			6.6			166	199.70	11	3.60	GFA59 GFAF59 GF59 GFF59	4P	4.8	225	175.38	7.3	1.80	5.7	192	150.06	7.4	2.10	6.5	167	130.07	7.5	2.40			7.0	156	121.57	7.6			2.60	GFA49 GFAF49 GF49 GFF49	6P*			6.7	163		127.27	11		3.70	GFA59 GFAF59 GF59 GFF59	4P	8.1	135	105.09	7.7	3.00	9.5	114	89.29	7.7	3.50	11	102	79.72			7.8	3.90	6.9					159	190.76					7.6											2.50	GFA49 GFAF49 GF49 GFF49	4P	7.1	153	183.60	11	3.90	GFA59 GFAF59 GF59 GFF59	6P*	7.5	146	175.38	7.6	2.80	8.7	125	150.06	7.7	3.20	10.1				108		130.07	7.7	3.70	6.6	165	128.51			4.5			1.20	GFA39 GFAF39 GF39 GFF39	6P*	7.2	151	117.88	4.6	1.35	GFA39 GFAF39 GF39 GFF39	6P*	7.2	151	117.88	4.6	1.35	8.5	129	100.36	4.8	1.55	9.8	111			86.53		4.9	1.80	11		103	80.65			5.0	1.95	11			103		80.65	5.0				1.95																																																																																																																																																					
0.31	3351	4245	23	0.95	GFA89R59 GFAF89R59 GF89R59 GFF89R59	4P	4.1	254	322	3.9	0.80			GFA39R19 GFAF39R19 GF39R19 GFF39R19	4P																																																																																																																																																																																																																																																																																																																																																																																																																																																																																																																																																																																																																																																			
0.35	2938	3721	25	1.10			0.40	2561	3244	25	1.25					0.45	2275	2881	25	1.40					0.51	2033	2575	26	1.55			GFA89R59 GFAF89R59 GF89R59 GFF89R59	4P	4.7	219	278	4.3	0.95	GFA39R19 GFAF39R19 GF39R19 GFF39R19	4P	0.60	1736	2199	27	1.85	0.68	1524	1930	27	2.10			0.77	1349	1709	27	2.35					0.88	1179	1493	28	2.70					1.0	1026	1300	28	3.10			1.1	906	1148	28	3.50	0.50	2063	2613	13	0.85			GFA79R39 GFAF79R39 GF79R39 GFF79R39	4P	5.4	191	242	4.6	1.10			GFA39R19 GFAF39R19 GF39R19 GFF39R19	4P	0.57	1803	2284	15	0.90	0.65	1603	2030	16	1.00	0.76	1364	1728	17			1.15	0.85	1219			1544	17		1.30	GFA79R39 GFAF79R39 GF79R39 GFF79R39		4P			6.0	174	136.16	11	3.50	GFA59 GFAF59 GF59 GFF59	6P*	0.97	1069	1354	18	1.50	1.1	947	1200	18	1.70	1.2	831	1053	18			1.90			1.4	718	910	19			2.20					1.6	640	810	19	2.50			1.8	561	710	19	2.85	0.92	1128	1429	8.8	0.80	GFA79R39 GFAF79R39 GF79R39 GFF79R39	4P	6.2	163			127.27	11	3.70	GFA59 GFAF59 GF59 GFF59	6P*	1.0	1003		1271	10		0.85	1.2	870	1102	11	1.00	1.4	766	970	11	1.15	1.5	677	858					12	1.30	GFA69R39 GFAF69R39 GF69R39 GFF69R39	4P	6.6	166			199.70	11	3.60			GFA59 GFAF59 GF59 GFF59	4P	1.7	596	755	12	1.45	2.0	506	641	12	1.70	2.3	452	572	12	1.90	2.6	402			509			12	2.15		3.0			345		437					12	2.50	3.0	345	437	12	2.50	4.5	244	190.76	7.1	1.65	GFA49 GFAF49 GF49 GFF49	6P*	6.6	166	199.70	11	3.60	GFA59 GFAF59 GF59 GFF59			4P	4.8	225	175.38	7.3	1.80	5.7		192	150.06		7.4	2.10	6.5	167	130.07	7.5	2.40	7.0	156	121.57	7.6			2.60	GFA49 GFAF49 GF49 GFF49	6P*	6.7	163					127.27	11	3.70	GFA59 GFAF59 GF59 GFF59	4P	8.1	135			105.09	7.7	3.00	9.5	114	89.29	7.7	3.50	11	102	79.72	7.8	3.90	6.9	159			190.76	7.6	2.50	GFA49 GFAF49 GF49 GFF49			4P					7.1	153		183.60	11		3.90			GFA59 GFAF59 GF59 GFF59	6P*	7.5	146	175.38	7.6	2.80	8.7	125	150.06	7.7	3.20	10.1			108	130.07	7.7	3.70	6.6			165	128.51		4.5	1.20		GFA39 GFAF39 GF39 GFF39		6P*	7.2		151	117.88	4.6	1.35	GFA39 GFAF39 GF39 GFF39	6P*	7.2			151	117.88	4.6	1.35	8.5			129	100.36	4.8	1.55	9.8	111	86.53	4.9	1.80	11	103				80.65		5.0	1.95	11	103	80.65	5.0			1.95																																																																																																																																																																																																						
0.40	2561	3244	25	1.25			0.45	2275	2881	25	1.40					0.51	2033	2575	26	1.55			GFA89R59 GFAF89R59 GF89R59 GFF89R59	4P	4.7	219	278	4.3	0.95	GFA39R19 GFAF39R19 GF39R19 GFF39R19	4P			0.60	1736	2199	27	1.85			0.68	1524	1930	27	2.10	0.77	1349	1709	27	2.35			0.88	1179	1493	28	2.70					1.0	1026	1300	28	3.10					1.1	906	1148	28	3.50			0.50	2063	2613	13	0.85	GFA79R39 GFAF79R39 GF79R39 GFF79R39	4P	5.4	191	242	4.6	1.10			GFA39R19 GFAF39R19 GF39R19 GFF39R19	4P	0.57	1803	2284	15	0.90			0.65	1603	2030	16	1.00	0.76	1364	1728	17	1.15	0.85	1219	1544	17			1.30	GFA79R39 GFAF79R39 GF79R39 GFF79R39	4P	6.0	174	136.16	11		3.50				GFA59 GFAF59 GF59 GFF59	6P*	0.97	1069	1354	18	1.50			1.1	947	1200	18	1.70	1.2	831	1053	18	1.90	1.4	718	910	19			2.20			1.6	640	810	19			2.50					1.8	561	710	19	2.85			0.92	1128	1429	8.8	0.80	GFA79R39 GFAF79R39 GF79R39 GFF79R39	4P	6.2	163	127.27			11	3.70	GFA59 GFAF59 GF59 GFF59	6P*	1.0	1003	1271			10	0.85	1.2	870	1102	11	1.00	1.4	766	970	11	1.15	1.5	677	858	12	1.30	GFA69R39 GFAF69R39 GF69R39 GFF69R39	4P	6.6		166	199.70		11	3.60			GFA59 GFAF59 GF59 GFF59	4P	1.7	596	755	12	1.45					2.0	506	641	12	1.70	2.3	452	572	12	1.90	2.6	402	509	12	2.15	3.0	345			437			12	2.50		3.0			345		437					12	2.50	4.5	244	190.76	7.1	1.65	GFA49 GFAF49 GF49 GFF49	6P*	6.6	166	199.70			11	3.60	GFA59 GFAF59 GF59 GFF59	4P	4.8		225	175.38		7.3	1.80	5.7	192	150.06	7.4	2.10	6.5	167	130.07	7.5	2.40	7.0	156	121.57	7.6	2.60	GFA49 GFAF49 GF49 GFF49	6P*	6.7	163	127.27	11	3.70			GFA59 GFAF59 GF59 GFF59	4P			8.1	135	105.09	7.7	3.00			9.5	114			89.29	7.7	3.50	11	102	79.72	7.8	3.90	6.9	159	190.76	7.6	2.50	GFA49 GFAF49 GF49 GFF49	4P			7.1	153	183.60									11	3.90		GFA59 GFAF59 GF59 GFF59	6P*		7.5					146	175.38	7.6	2.80	8.7	125	150.06	7.7	3.20	10.1	108	130.07	7.7	3.70	6.6	165	128.51	4.5	1.20	GFA39 GFAF39 GF39 GFF39	6P*	7.2	151	117.88	4.6	1.35		GFA39 GFAF39 GF39 GFF39		6P*	7.2	151	117.88	4.6	1.35			8.5			129	100.36	4.8	1.55	9.8			111	86.53	4.9	1.80	11	103	80.65	5.0	1.95	11	103				80.65		5.0	1.95																																																																																																																																																																																																													
0.45	2275	2881	25	1.40			0.51	2033	2575	26	1.55	GFA89R59 GFAF89R59 GF89R59 GFF89R59	4P			4.7	219	278	4.3	0.95	GFA39R19 GFAF39R19 GF39R19 GFF39R19	4P			0.60	1736	2199	27	1.85					0.68	1524	1930	27	2.10			0.77	1349	1709	27	2.35	0.88	1179	1493	28	2.70			1.0	1026	1300	28	3.10					1.1	906	1148	28	3.50					0.50	2063	2613	13	0.85			GFA79R39 GFAF79R39 GF79R39 GFF79R39	4P	5.4	191	242			4.6	1.10	GFA39R19 GFAF39R19 GF39R19 GFF39R19	4P	0.57					1803	2284	15	0.90	0.65			1603	2030	16	1.00	0.76	1364	1728	17	1.15	0.85	1219	1544	17	1.30	GFA79R39 GFAF79R39 GF79R39 GFF79R39	4P	6.0			174	136.16	11	3.50	GFA59 GFAF59 GF59 GFF59	6P*		0.97				1069	1354	18	1.50	1.1			947	1200	18	1.70	1.2	831	1053	18	1.90	1.4	718	910	19	2.20			1.6			640	810	19	2.50			1.8					561	710	19	2.85	0.92			1128	1429	8.8	0.80	GFA79R39 GFAF79R39 GF79R39 GFF79R39			4P	6.2	163			127.27	11			3.70	GFA59 GFAF59 GF59 GFF59	6P*			1.0	1003	1271	10	0.85	1.2	870	1102	11	1.00	1.4	766	970	11	1.15	1.5	677			858	12	1.30	GFA69R39 GFAF69R39 GF69R39 GFF69R39	4P	6.6	166					199.70	11	3.60	GFA59 GFAF59 GF59 GFF59	4P	1.7	596			755	12	1.45	2.0	506	641	12	1.70	2.3	452	572	12	1.90	2.6	402	509	12			2.15			3.0	345		437			12		2.50					3.0	345	437	12	2.50	4.5	244			190.76	7.1	1.65			GFA49 GFAF49 GF49 GFF49	6P*			6.6		166	199.70		11	3.60	GFA59 GFAF59 GF59 GFF59	4P	4.8	225	175.38	7.3	1.80	5.7	192	150.06	7.4	2.10	6.5	167	130.07			7.5	2.40	7.0	156	121.57					7.6	2.60	GFA49 GFAF49 GF49 GFF49	6P*	6.7	163	127.27			11	3.70	GFA59 GFAF59 GF59 GFF59	4P	8.1	135	105.09	7.7	3.00	9.5	114	89.29	7.7	3.50	11	102	79.72					7.8	3.90	6.9									159	190.76					7.6					2.50	GFA49 GFAF49 GF49 GFF49	4P	7.1	153	183.60	11	3.90	GFA59 GFAF59 GF59 GFF59	6P*	7.5	146	175.38	7.6	2.80	8.7	125	150.06	7.7			3.20	10.1	108	130.07	7.7					3.70	6.6	165	128.51	4.5			1.20	GFA39 GFAF39 GF39 GFF39	6P*	7.2	151	117.88	4.6	1.35	GFA39 GFAF39 GF39 GFF39	6P*	7.2	151	117.88	4.6	1.35	8.5	129	100.36	4.8	1.55	9.8				111		86.53	4.9	1.80	11	103	80.65			5.0			1.95			11	103	80.65	5.0	1.95																																																																																																																																																																																												
0.51	2033	2575	26	1.55	GFA89R59 GFAF89R59 GF89R59 GFF89R59	4P	4.7	219	278	4.3	0.95			GFA39R19 GFAF39R19 GF39R19 GFF39R19	4P																																																																																																																																																																																																																																																																																																																																																																																																																																																																																																																																																																																																																																																			
0.60	1736	2199	27	1.85			0.68	1524	1930	27	2.10					0.77	1349	1709	27	2.35					0.88	1179	1493	28	2.70					1.0	1026	1300	28	3.10			1.1	906	1148	28	3.50	0.50	2063	2613	13	0.85			GFA79R39 GFAF79R39 GF79R39 GFF79R39	4P	5.4	191	242	4.6	1.10			GFA39R19 GFAF39R19 GF39R19 GFF39R19	4P	0.57	1803	2284	15	0.90	0.65	1603	2030	16	1.00	0.76	1364	1728	17			1.15	0.85	1219			1544	17			1.30	GFA79R39 GFAF79R39 GF79R39 GFF79R39	4P			6.0	174	136.16	11	3.50	GFA59 GFAF59 GF59 GFF59	6P*	0.97	1069	1354	18	1.50	1.1	947	1200	18	1.70	1.2	831	1053	18			1.90			1.4	718	910	19				2.20				1.6	640	810	19	2.50			1.8	561	710	19	2.85	0.92	1128	1429	8.8	0.80	GFA79R39 GFAF79R39 GF79R39 GFF79R39	4P	6.2	163			127.27	11	3.70	GFA59 GFAF59 GF59 GFF59	6P*	1.0	1003			1271	10	0.85	1.2	870	1102	11	1.00	1.4	766	970	11	1.15	1.5	677	858					12	1.30	GFA69R39 GFAF69R39 GF69R39 GFF69R39	4P	6.6	166			199.70			11	3.60	GFA59 GFAF59 GF59 GFF59	4P	1.7	596	755	12	1.45	2.0	506	641	12	1.70	2.3	452	572	12	1.90			2.6	402	509			12	2.15					3.0	345	437			12	2.50			3.0	345	437	12	2.50	4.5	244	190.76	7.1	1.65	GFA49 GFAF49 GF49 GFF49	6P*	6.6	166	199.70	11	3.60	GFA59 GFAF59 GF59 GFF59	4P	4.8			225	175.38	7.3	1.80	5.7	192	150.06	7.4	2.10			6.5	167	130.07	7.5	2.40	7.0	156	121.57	7.6			2.60	GFA49 GFAF49 GF49 GFF49	6P*	6.7	163					127.27	11	3.70	GFA59 GFAF59 GF59 GFF59	4P	8.1	135			105.09	7.7	3.00	9.5	114	89.29	7.7	3.50	11	102	79.72	7.8	3.90			6.9	159	190.76	7.6	2.50					GFA49 GFAF49 GF49 GFF49	4P			7.1	153	183.60			11	3.90			GFA59 GFAF59 GF59 GFF59	6P*	7.5	146	175.38	7.6	2.80	8.7	125	150.06	7.7	3.20	10.1			108	130.07	7.7	3.70	6.6	165	128.51	4.5	1.20			GFA39 GFAF39 GF39 GFF39	6P*	7.2	151	117.88			4.6	1.35			GFA39 GFAF39 GF39 GFF39	6P*	7.2			151	117.88	4.6	1.35	8.5			129	100.36	4.8	1.55	9.8	111	86.53	4.9	1.80			11	103	80.65	5.0	1.95					11	103	80.65	5.0	1.95																																																																																																																																																																																																																																											
0.68	1524	1930	27	2.10			0.77	1349	1709	27	2.35					0.88	1179	1493	28	2.70					1.0	1026	1300	28	3.10					1.1	906	1148	28	3.50			0.50	2063	2613	13	0.85	GFA79R39 GFAF79R39 GF79R39 GFF79R39	4P	5.4	191	242	4.6	1.10			GFA39R19 GFAF39R19 GF39R19 GFF39R19	4P	0.57	1803	2284	15	0.90			0.65	1603	2030	16	1.00	0.76	1364	1728	17	1.15	0.85	1219	1544	17			1.30	GFA79R39 GFAF79R39 GF79R39 GFF79R39	4P	6.0	174	136.16	11			3.50			GFA59 GFAF59 GF59 GFF59	6P*	0.97	1069	1354	18	1.50			1.1	947	1200	18	1.70	1.2	831	1053	18	1.90	1.4	718	910	19			2.20			1.6	640	810	19				2.50				1.8	561	710	19	2.85			0.92	1128	1429	8.8	0.80	GFA79R39 GFAF79R39 GF79R39 GFF79R39	4P	6.2	163	127.27			11	3.70	GFA59 GFAF59 GF59 GFF59	6P*	1.0	1003	1271			10	0.85	1.2	870	1102	11	1.00	1.4	766	970	11	1.15	1.5	677	858	12	1.30	GFA69R39 GFAF69R39 GF69R39 GFF69R39	4P	6.6		166	199.70		11	3.60			GFA59 GFAF59 GF59 GFF59	4P	1.7	596	755			12	1.45			2.0	506	641	12	1.70	2.3	452	572	12	1.90	2.6	402	509	12	2.15			3.0	345	437			12	2.50					3.0	345	437			12	2.50			4.5	244	190.76	7.1	1.65	GFA49 GFAF49 GF49 GFF49	6P*	6.6	166	199.70			11	3.60	GFA59 GFAF59 GF59 GFF59	4P	4.8			225	175.38	7.3	1.80	5.7	192	150.06	7.4	2.10	6.5	167	130.07	7.5	2.40	7.0	156	121.57	7.6	2.60	GFA49 GFAF49 GF49 GFF49	6P*	6.7	163	127.27	11	3.70			GFA59 GFAF59 GF59 GFF59	4P			8.1	135	105.09	7.7	3.00			9.5	114			89.29	7.7	3.50	11	102	79.72	7.8	3.90	6.9	159	190.76	7.6	2.50			GFA49 GFAF49 GF49 GFF49	4P	7.1	153	183.60									11	3.90	GFA59 GFAF59 GF59 GFF59			6P*	7.5					146	175.38	7.6	2.80	8.7	125	150.06	7.7	3.20	10.1	108	130.07	7.7	3.70	6.6	165	128.51	4.5	1.20	GFA39 GFAF39 GF39 GFF39	6P*	7.2	151	117.88			4.6	1.35	GFA39 GFAF39 GF39 GFF39	6P*	7.2	151	117.88	4.6	1.35			8.5			129	100.36	4.8	1.55	9.8			111	86.53	4.9	1.80	11	103	80.65	5.0	1.95			11	103	80.65	5.0	1.95																																																																																																																																																																																																																																																				
0.77	1349	1709	27	2.35			0.88	1179	1493	28	2.70					1.0	1026	1300	28	3.10					1.1	906	1148	28	3.50					0.50	2063	2613	13	0.85			GFA79R39 GFAF79R39 GF79R39 GFF79R39	4P	5.4	191	242			4.6	1.10	GFA39R19 GFAF39R19 GF39R19 GFF39R19	4P	0.57					1803	2284	15	0.90	0.65			1603	2030	16	1.00	0.76	1364	1728	17	1.15	0.85	1219	1544	17	1.30	GFA79R39 GFAF79R39 GF79R39 GFF79R39	4P	6.0			174	136.16	11	3.50	GFA59 GFAF59 GF59 GFF59	6P*	0.97					1069	1354	18	1.50	1.1			947	1200	18	1.70	1.2	831	1053	18	1.90	1.4	718	910	19	2.20			1.6			640	810	19	2.50				1.8				561	710	19	2.85	0.92			1128	1429	8.8	0.80	GFA79R39 GFAF79R39 GF79R39 GFF79R39			4P	6.2	163			127.27	11			3.70	GFA59 GFAF59 GF59 GFF59	6P*			1.0	1003	1271	10	0.85	1.2	870	1102	11	1.00	1.4	766	970	11	1.15	1.5	677			858	12	1.30	GFA69R39 GFAF69R39 GF69R39 GFF69R39	4P	6.6	166					199.70	11	3.60	GFA59 GFAF59 GF59 GFF59	4P	1.7	596			755	12	1.45	2.0	506	641	12	1.70	2.3	452	572	12	1.90	2.6	402			509	12	2.15			3.0	345					437	12	2.50			3.0	345			437	12	2.50	4.5	244			190.76	7.1	1.65			GFA49 GFAF49 GF49 GFF49	6P*			6.6			166	199.70	11	3.60	GFA59 GFAF59 GF59 GFF59	4P	4.8	225	175.38	7.3	1.80	5.7	192	150.06	7.4	2.10	6.5	167	130.07			7.5	2.40	7.0	156	121.57					7.6	2.60	GFA49 GFAF49 GF49 GFF49	6P*	6.7	163	127.27			11	3.70	GFA59 GFAF59 GF59 GFF59	4P	8.1	135	105.09	7.7	3.00	9.5	114	89.29	7.7	3.50	11	102	79.72					7.8	3.90	6.9									159	190.76					7.6					2.50	GFA49 GFAF49 GF49 GFF49	4P	7.1	153	183.60	11	3.90	GFA59 GFAF59 GF59 GFF59	6P*	7.5	146	175.38	7.6	2.80	8.7	125	150.06	7.7			3.20	10.1	108			130.07	7.7			3.70	6.6	165	128.51	4.5			1.20	GFA39 GFAF39 GF39 GFF39	6P*	7.2	151	117.88	4.6	1.35	GFA39 GFAF39 GF39 GFF39	6P*	7.2	151	117.88	4.6	1.35	8.5	129	100.36	4.8			1.55	9.8	111	86.53	4.9					1.80	11	103	80.65	5.0			1.95			11	103	80.65	5.0	1.95																																																																																																																																																																																																																																	
0.88	1179	1493	28	2.70			1.0	1026	1300	28	3.10					1.1	906	1148	28	3.50					0.50	2063	2613	13	0.85			GFA79R39 GFAF79R39 GF79R39 GFF79R39	4P	5.4	191	242	4.6	1.10	GFA39R19 GFAF39R19 GF39R19 GFF39R19	4P			0.57	1803	2284			15	0.90			0.65					1603	2030	16	1.00	0.76			1364	1728	17	1.15	0.85	1219	1544	17	1.30	GFA79R39 GFAF79R39 GF79R39 GFF79R39	4P	6.0	174	136.16			11			3.50	GFA59 GFAF59 GF59 GFF59	6P*	0.97			1069					1354	18	1.50	1.1	947			1200	18	1.70	1.2	831	1053	18	1.90	1.4	718	910	19	2.20	1.6			640			810	19	2.50	1.8			561	710	19			2.85	0.92	1128	1429	8.8	0.80	GFA79R39 GFAF79R39 GF79R39 GFF79R39	4P	6.2	163	127.27					11	3.70			GFA59 GFAF59 GF59 GFF59	6P*			1.0					1003	1271	10	0.85	1.2	870	1102	11	1.00	1.4	766	970	11	1.15	1.5	677	858			12	1.30	GFA69R39 GFAF69R39 GF69R39 GFF69R39			4P	6.6					166	199.70	11			3.60	GFA59 GFAF59 GF59 GFF59			4P	1.7	596	755	12	1.45	2.0	506	641	12	1.70	2.3	452	572	12			1.90	2.6	402			509	12	2.15	3.0			345	437	12			2.50	3.0	345	437	12	2.50	4.5	244	190.76			7.1	1.65	GFA49 GFAF49 GF49 GFF49							6P*			6.6	166	199.70	11			3.60	GFA59 GFAF59 GF59 GFF59	4P	4.8	225	175.38	7.3	1.80	5.7	192	150.06	7.4	2.10			6.5	167	130.07	7.5	2.40					7.0	156			121.57	7.6	2.60			GFA49 GFAF49 GF49 GFF49	6P*			6.7	163	127.27	11	3.70	GFA59 GFAF59 GF59 GFF59	4P	8.1	135	105.09	7.7	3.00	9.5					114	89.29	7.7	3.50	11							102	79.72		7.8	3.90		6.9					159			190.76	7.6	2.50	GFA49 GFAF49 GF49 GFF49	4P			7.1	153	183.60	11	3.90	GFA59 GFAF59 GF59 GFF59	6P*	7.5	146			175.38	7.6	2.80			8.7	125			150.06	7.7	3.20	10.1	108			130.07			7.7	3.70	6.6	165	128.51			4.5	1.20	GFA39 GFAF39 GF39 GFF39	6P*	7.2	151	117.88	4.6	1.35			GFA39 GFAF39 GF39 GFF39	6P*	7.2	151	117.88	4.6		1.35		8.5	129	100.36	4.8	1.55	9.8	111	86.53			4.9	1.80	11	103	80.65			5.0	1.95	11	103	80.65	5.0	1.95																																																																																																																																																																																																																								
1.0	1026	1300	28	3.10			1.1	906	1148	28	3.50					0.50	2063	2613	13	0.85			GFA79R39 GFAF79R39 GF79R39 GFF79R39	4P	5.4	191	242	4.6	1.10	GFA39R19 GFAF39R19 GF39R19 GFF39R19	4P			0.57	1803	2284	15	0.90					0.65	1603	2030			16	1.00			0.76	1364	1728			17	1.15	0.85	1219	1544	17	1.30	GFA79R39 GFAF79R39 GF79R39 GFF79R39	4P	6.0	174	136.16	11	3.50	GFA59 GFAF59 GF59 GFF59	6P*			0.97	1069	1354			18			1.50			1.1			947					1200	18	1.70	1.2	831			1053	18	1.90	1.4	718	910	19	2.20	1.6	640	810	19	2.50	1.8			561	710	19	2.85	0.92	1128	1429			8.8	0.80	GFA79R39 GFAF79R39 GF79R39 GFF79R39	4P	6.2	163	127.27	11	3.70	GFA59 GFAF59 GF59 GFF59	6P*			1.0	1003	1271					10	0.85	1.2	870					1102			11	1.00	1.4	766	970	11	1.15	1.5	677	858	12	1.30	GFA69R39 GFAF69R39 GF69R39 GFF69R39	4P	6.6	166	199.70	11	3.60			GFA59 GFAF59 GF59 GFF59	4P					1.7					596	755	12			1.45					2.0	506	641	12	1.70	2.3	452	572	12	1.90	2.6	402	509	12	2.15	3.0	345	437	12			2.50	3.0	345	437	12	2.50	4.5	244	190.76			7.1	1.65	GFA49 GFAF49 GF49 GFF49	6P*	6.6	166	199.70	11	3.60			GFA59 GFAF59 GF59 GFF59	4P		4.8	225						175.38	7.3	1.80	5.7	192	150.06			7.4			2.10	6.5	167	130.07	7.5	2.40	7.0	156	121.57	7.6			2.60	GFA49 GFAF49 GF49 GFF49	6P*	6.7	163					127.27	11			3.70	GFA59 GFAF59 GF59 GFF59	4P							8.1	135	105.09	7.7	3.00			9.5	114	89.29	7.7	3.50	11	102	79.72			7.8	3.90	6.9	159	190.76	7.6	2.50	GFA49 GFAF49 GF49 GFF49	4P			7.1	153		183.60	11		3.90			GFA59 GFAF59 GF59 GFF59	6P*	7.5			146	175.38	7.6					2.80	8.7	125	150.06	7.7			3.20	10.1			108	130.07	7.7			3.70	6.6			165	128.51	4.5	1.20	GFA39 GFAF39 GF39 GFF39			6P*			7.2	151	117.88	4.6	1.35			GFA39 GFAF39 GF39 GFF39	6P*			7.2	151	117.88	4.6	1.35	8.5	129			100.36	4.8	1.55	9.8	111	86.53	4.9	1.80	11	103	80.65	5.0	1.95	11	103			80.65	5.0	1.95																																																																																																																																																																																																																																			
1.1	906	1148	28	3.50			0.50	2063	2613	13	0.85	GFA79R39 GFAF79R39 GF79R39 GFF79R39	4P			5.4	191	242	4.6	1.10	GFA39R19 GFAF39R19 GF39R19 GFF39R19	4P			0.57	1803	2284	15	0.90					0.65	1603	2030	16	1.00					0.76	1364	1728	17	1.15	0.85	1219			1544	17	1.30	GFA79R39 GFAF79R39 GF79R39 GFF79R39	4P	6.0	174	136.16	11	3.50	GFA59 GFAF59 GF59 GFF59	6P*			0.97	1069	1354	18	1.50					1.1	947	1200			18			1.70			1.2			831					1053	18	1.90	1.4	718			910	19	2.20	1.6	640	810	19	2.50	1.8	561	710	19	2.85	0.92	1128	1429	8.8	0.80	GFA79R39 GFAF79R39 GF79R39 GFF79R39	4P	6.2	163	127.27	11	3.70	GFA59 GFAF59 GF59 GFF59	6P*			1.0	1003	1271	10	0.85					1.2	870	1102		11	1.00		1.4	766	970	11			1.15	1.5	677			858	12	1.30	GFA69R39 GFAF69R39 GF69R39 GFF69R39	4P	6.6	166	199.70	11	3.60	GFA59 GFAF59 GF59 GFF59	4P			1.7	596	755	12	1.45									2.0					506	641	12			1.70					2.3	452	572	12	1.90	2.6	402	509	12	2.15	3.0	345	437	12	2.50	3.0	345	437	12	2.50	4.5	244	190.76	7.1	1.65	GFA49 GFAF49 GF49 GFF49	6P*	6.6	166	199.70	11	3.60	GFA59 GFAF59 GF59 GFF59	4P			4.8	225	175.38	7.3	1.80	5.7	192				150.06	7.4			2.10	6.5		167	130.07	7.5	2.40	7.0	156			121.57			7.6	2.60	GFA49 GFAF49 GF49 GFF49	6P*	6.7	163	127.27	11	3.70	GFA59 GFAF59 GF59 GFF59			4P			8.1	135					105.09	7.7			3.00									9.5	114	89.29	7.7	3.50			11	102	79.72	7.8	3.90	6.9	159	190.76	7.6	2.50	GFA49 GFAF49 GF49 GFF49	4P	7.1	153	183.60	11	3.90			GFA59 GFAF59 GF59 GFF59	6P*	7.5	146	175.38	7.6	2.80	8.7	125	150.06	7.7			3.20			10.1	108	130.07					7.7	3.70	6.6	165	128.51			4.5	1.20			GFA39 GFAF39 GF39 GFF39	6P*	7.2			151	117.88			4.6	1.35	GFA39 GFAF39 GF39 GFF39	6P*							7.2	151	117.88	4.6	1.35							8.5	129	100.36	4.8	1.55	9.8	111			86.53	4.9	1.80	11	103	80.65	5.0	1.95	11	103	80.65	5.0	1.95																																																																																																																																																																																																																																										
0.50	2063	2613	13	0.85	GFA79R39 GFAF79R39 GF79R39 GFF79R39	4P	5.4	191	242	4.6	1.10			GFA39R19 GFAF39R19 GF39R19 GFF39R19	4P																																																																																																																																																																																																																																																																																																																																																																																																																																																																																																																																																																																																																																																			
0.57	1803	2284	15	0.90			0.65	1603	2030	16	1.00					0.76	1364	1728	17	1.15					0.85	1219	1544	17	1.30			GFA79R39 GFAF79R39 GF79R39 GFF79R39	4P	6.0	174	136.16	11	3.50	GFA59 GFAF59 GF59 GFF59	6P*	0.97	1069	1354	18	1.50	1.1	947	1200	18	1.70	1.2	831	1053	18			1.90	1.4	718	910	19					2.20	1.6	640	810	19					2.50	1.8	561			710			19			2.85			0.92	1128	1429			8.8	0.80	GFA79R39 GFAF79R39 GF79R39 GFF79R39	4P	6.2	163	127.27	11	3.70	GFA59 GFAF59 GF59 GFF59	6P*	1.0	1003	1271	10	0.85	1.2	870	1102	11	1.00	1.4	766	970	11			1.15	1.5	677	858	12					1.30	GFA69R39 GFAF69R39 GF69R39 GFF69R39	4P	6.6	166			199.70	11	3.60	GFA59 GFAF59 GF59 GFF59	4P	1.7	596	755	12	1.45	2.0	506	641	12	1.70	2.3	452	572	12	1.90	2.6	402	509			12	2.15	3.0	345	437					12	2.50	3.0	345	437									12	2.50	4.5			244	190.76	7.1			1.65		GFA49 GFAF49 GF49 GFF49	6P*		6.6	166	199.70	11	3.60	GFA59 GFAF59 GF59 GFF59	4P	4.8	225	175.38	7.3	1.80	5.7	192	150.06	7.4	2.10	6.5	167	130.07	7.5	2.40	7.0	156	121.57			7.6	2.60	GFA49 GFAF49 GF49 GFF49	6P*	6.7					163	127.27	11	3.70	GFA59 GFAF59 GF59 GFF59	4P	8.1			135	105.09	7.7	3.00	9.5	114	89.29	7.7	3.50	11	102	79.72	7.8	3.90	6.9	159	190.76	7.6	2.50	GFA49 GFAF49 GF49 GFF49	4P			7.1	153	183.60	11	3.90							GFA59 GFAF59 GF59 GFF59	6P*	7.5	146			175.38	7.6			2.80			8.7	125					150.06	7.7	3.20	10.1	108			130.07	7.7	3.70	6.6	165	128.51	4.5	1.20	GFA39 GFAF39 GF39 GFF39	6P*			7.2	151	117.88	4.6	1.35					GFA39 GFAF39 GF39 GFF39	6P*	7.2	151	117.88	4.6	1.35	8.5	129			100.36	4.8	1.55	9.8	111	86.53	4.9	1.80	11	103	80.65	5.0	1.95	11	103	80.65	5.0	1.95																																																																																																																																																																																																																																																																																																	
0.65	1603	2030	16	1.00			0.76	1364	1728	17	1.15					0.85	1219	1544	17	1.30			GFA79R39 GFAF79R39 GF79R39 GFF79R39	4P	6.0	174	136.16	11	3.50	GFA59 GFAF59 GF59 GFF59	6P*			0.97	1069	1354	18	1.50			1.1	947	1200	18	1.70	1.2	831	1053	18	1.90	1.4	718	910	19			2.20	1.6	640	810	19					2.50	1.8	561	710	19					2.85	0.92	1128			1429	8.8	0.80	GFA79R39 GFAF79R39 GF79R39 GFF79R39			4P			6.2	163	127.27	11	3.70	GFA59 GFAF59 GF59 GFF59	6P*			1.0	1003	1271	10	0.85			1.2	870	1102	11	1.00	1.4	766	970	11	1.15	1.5	677	858	12			1.30	GFA69R39 GFAF69R39 GF69R39 GFF69R39	4P	6.6	166			199.70	11	3.60			GFA59 GFAF59 GF59 GFF59	4P	1.7	596	755	12	1.45			2.0	506	641	12	1.70	2.3	452	572	12	1.90	2.6	402	509	12	2.15	3.0	345	437			12	2.50	3.0	345	437					12	2.50	4.5	244	190.76	7.1	1.65							GFA49 GFAF49 GF49 GFF49	6P*	6.6	166	199.70	11	3.60	GFA59 GFAF59 GF59 GFF59			4P					4.8	225	175.38	7.3	1.80			5.7	192	150.06	7.4	2.10	6.5	167	130.07	7.5	2.40	7.0	156	121.57	7.6	2.60	GFA49 GFAF49 GF49 GFF49	6P*	6.7			163	127.27			11			3.70	GFA59 GFAF59 GF59 GFF59	4P	8.1	135	105.09			7.7	3.00	9.5	114	89.29	7.7	3.50	11	102	79.72	7.8	3.90	6.9	159	190.76	7.6	2.50	GFA49 GFAF49 GF49 GFF49	4P	7.1	153	183.60					11	3.90	GFA59 GFAF59 GF59 GFF59	6P*	7.5		146	175.38						7.6	2.80	8.7	125	150.06	7.7			3.20			10.1	108					130.07	7.7	3.70	6.6	165			128.51	4.5	1.20	GFA39 GFAF39 GF39 GFF39	6P*	7.2	151	117.88					4.6	1.35	GFA39 GFAF39 GF39 GFF39	6P*	7.2	151	117.88					4.6	1.35	8.5	129	100.36	4.8	1.55	9.8	111	86.53	4.9	1.80	11	103	80.65	5.0	1.95	11	103	80.65	5.0	1.95																																																																																																																																																																																																																																																																																																						
0.76	1364	1728	17	1.15			0.85	1219	1544	17	1.30	GFA79R39 GFAF79R39 GF79R39 GFF79R39	4P			6.0	174	136.16	11	3.50	GFA59 GFAF59 GF59 GFF59	6P*			0.97	1069	1354	18	1.50					1.1	947	1200	18	1.70			1.2	831	1053	18	1.90	1.4	718	910	19	2.20	1.6	640	810	19			2.50	1.8	561	710	19					2.85	0.92	1128	1429	8.8					0.80	GFA79R39 GFAF79R39 GF79R39 GFF79R39	4P	6.2	163	127.27	11	3.70					GFA59 GFAF59 GF59 GFF59	6P*	1.0	1003	1271	10	0.85					1.2	870	1102	11	1.00			1.4	766	970	11	1.15	1.5	677	858	12	1.30	GFA69R39 GFAF69R39 GF69R39 GFF69R39	4P	6.6	166	199.70	11	3.60			GFA59 GFAF59 GF59 GFF59	4P	1.7	596	755	12	1.45					2.0	506	641	12	1.70			2.3	452	572	12	1.90	2.6	402	509	12	2.15	3.0	345	437	12	2.50	3.0	345	437			12	2.50	4.5	244	190.76					7.1	1.65	GFA49 GFAF49 GF49 GFF49	6P*	6.6	166	199.70				11	3.60				GFA59 GFAF59 GF59 GFF59	4P	4.8	225	175.38		7.3	1.80						5.7	192	150.06	7.4	2.10			6.5	167	130.07	7.5	2.40	7.0	156	121.57	7.6	2.60	GFA49 GFAF49 GF49 GFF49	6P*	6.7	163	127.27			11	3.70	GFA59 GFAF59 GF59 GFF59	4P	8.1			135	105.09	7.7	3.00			9.5	114	89.29			7.7	3.50	11	102	79.72	7.8	3.90	6.9	159	190.76	7.6	2.50	GFA49 GFAF49 GF49 GFF49	4P	7.1	153	183.60			11	3.90	GFA59 GFAF59 GF59 GFF59					6P*	7.5			146		175.38	7.6						2.80	8.7	125	150.06	7.7	3.20	10.1	108	130.07			7.7	3.70			6.6	165	128.51	4.5	1.20	GFA39 GFAF39 GF39 GFF39	6P*			7.2	151	117.88			4.6	1.35	GFA39 GFAF39 GF39 GFF39			6P*	7.2	151	117.88			4.6	1.35	8.5	129	100.36			4.8	1.55	9.8	111	86.53	4.9	1.80	11	103	80.65	5.0	1.95	11	103	80.65	5.0	1.95																																																																																																																																																																																																																																																																																																											
0.85	1219	1544	17	1.30	GFA79R39 GFAF79R39 GF79R39 GFF79R39	4P	6.0	174	136.16	11	3.50			GFA59 GFAF59 GF59 GFF59	6P*																																																																																																																																																																																																																																																																																																																																																																																																																																																																																																																																																																																																																																																			
0.97	1069	1354	18	1.50			1.1	947	1200	18	1.70					1.2	831	1053	18	1.90					1.4	718	910	19	2.20					1.6	640	810	19	2.50			1.8	561	710	19	2.85	0.92	1128	1429	8.8	0.80	GFA79R39 GFAF79R39 GF79R39 GFF79R39	4P	6.2	163			127.27	11	3.70	GFA59 GFAF59 GF59 GFF59	6P*			1.0	1003	1271	10	0.85	1.2	870	1102	11	1.00	1.4	766			970	11	1.15	1.5	677		858	12				1.30	GFA69R39 GFAF69R39 GF69R39 GFF69R39	4P	6.6	166			199.70	11	3.60	GFA59 GFAF59 GF59 GFF59	4P	1.7	596	755	12	1.45	2.0	506	641	12	1.70	2.3	452	572	12			1.90	2.6	402	509	12					2.15	3.0	345	437	12					2.50	3.0	345	437	12			2.50	4.5	244	190.76	7.1	1.65	GFA49 GFAF49 GF49 GFF49	6P*	6.6	166	199.70	11	3.60	GFA59 GFAF59 GF59 GFF59	4P	4.8	225	175.38			7.3	1.80	5.7	192	150.06			7.4	2.10	6.5	167			130.07	7.5	2.40	7.0	156	121.57	7.6	2.60	GFA49 GFAF49 GF49 GFF49					6P*	6.7	163		127.27	11		3.70	GFA59 GFAF59 GF59 GFF59	4P	8.1	135	105.09	7.7	3.00	9.5	114	89.29	7.7	3.50	11	102	79.72	7.8	3.90	6.9	159	190.76			7.6	2.50	GFA49 GFAF49 GF49 GFF49			4P	7.1			153			183.60	11	3.90	GFA59 GFAF59 GF59 GFF59			6P*	7.5	146			175.38	7.6	2.80	8.7	125	150.06	7.7	3.20	10.1	108	130.07	7.7			3.70	6.6	165			128.51	4.5		1.20	GFA39 GFAF39 GF39 GFF39				6P*			7.2		151	117.88		4.6	1.35	GFA39 GFAF39 GF39 GFF39	6P*	7.2	151	117.88	4.6	1.35	8.5	129	100.36	4.8	1.55	9.8	111	86.53	4.9	1.80	11	103	80.65	5.0	1.95			11	103	80.65	5.0	1.95																																																																																																																																																																																																																																																																																																																																																
1.1	947	1200	18	1.70			1.2	831	1053	18	1.90					1.4	718	910	19	2.20					1.6	640	810	19	2.50					1.8	561	710	19	2.85			0.92	1128	1429	8.8	0.80	GFA79R39 GFAF79R39 GF79R39 GFF79R39	4P	6.2	163	127.27			11	3.70	GFA59 GFAF59 GF59 GFF59	6P*	1.0	1003	1271			10	0.85	1.2	870	1102	11	1.00	1.4	766	970	11	1.15	1.5	677			858	12	1.30	GFA69R39 GFAF69R39 GF69R39 GFF69R39	4P	6.6	166	199.70	11			3.60			GFA59 GFAF59 GF59 GFF59	4P	1.7	596	755	12	1.45			2.0	506	641	12	1.70	2.3	452	572	12	1.90	2.6	402	509	12			2.15	3.0	345	437	12					2.50	3.0	345	437	12					2.50	4.5	244	190.76	7.1			1.65	GFA49 GFAF49 GF49 GFF49	6P*	6.6	166	199.70			11	3.60	GFA59 GFAF59 GF59 GFF59	4P	4.8			225	175.38	7.3	1.80	5.7	192	150.06	7.4	2.10	6.5	167	130.07	7.5	2.40	7.0	156			121.57	7.6	2.60	GFA49 GFAF49 GF49 GFF49	6P*	6.7	163	127.27		11	3.70				GFA59 GFAF59 GF59 GFF59	4P	8.1	135	105.09	7.7	3.00			9.5	114	89.29	7.7	3.50	11	102	79.72	7.8	3.90	6.9	159	190.76	7.6	2.50	GFA49 GFAF49 GF49 GFF49	4P	7.1			153	183.60					11			3.90			GFA59 GFAF59 GF59 GFF59	6P*	7.5					146	175.38			7.6	2.80	8.7	125	150.06	7.7	3.20	10.1	108	130.07	7.7	3.70			6.6	165	128.51	4.5	1.20	GFA39 GFAF39 GF39 GFF39	6P*		7.2		151	117.88			4.6	1.35	GFA39 GFAF39 GF39 GFF39	6P*	7.2	151	117.88	4.6	1.35			8.5	129	100.36	4.8	1.55	9.8	111	86.53	4.9	1.80	11	103	80.65	5.0	1.95	11	103	80.65	5.0	1.95																																																																																																																																																																																																																																																																																																																																																							
1.2	831	1053	18	1.90			1.4	718	910	19	2.20					1.6	640	810	19	2.50					1.8	561	710	19	2.85					0.92	1128	1429	8.8	0.80			GFA79R39 GFAF79R39 GF79R39 GFF79R39	4P	6.2	163	127.27			11	3.70	GFA59 GFAF59 GF59 GFF59			6P*	1.0			1003	1271	10			0.85	1.2	870	1102	11	1.00	1.4	766	970	11	1.15	1.5	677	858	12	1.30	GFA69R39 GFAF69R39 GF69R39 GFF69R39	4P	6.6			166	199.70	11	3.60	GFA59 GFAF59 GF59 GFF59	4P	1.7					596	755	12	1.45	2.0			506	641	12	1.70	2.3	452	572	12	1.90	2.6	402	509	12	2.15			3.0	345	437	12	2.50					3.0	345	437	12	2.50					4.5	244	190.76	7.1	1.65			GFA49 GFAF49 GF49 GFF49			6P*	6.6	166			199.70	11			3.60			GFA59 GFAF59 GF59 GFF59	4P	4.8	225	175.38	7.3	1.80	5.7	192	150.06	7.4	2.10	6.5	167	130.07	7.5	2.40	7.0	156	121.57	7.6			2.60	GFA49 GFAF49 GF49 GFF49	6P*		6.7	163	127.27	11				3.70	GFA59 GFAF59 GF59 GFF59	4P	8.1	135			105.09	7.7	3.00	9.5	114	89.29	7.7	3.50	11	102	79.72	7.8	3.90	6.9	159			190.76			7.6	2.50					GFA49 GFAF49 GF49 GFF49			4P					7.1					153	183.60			11	3.90	GFA59 GFAF59 GF59 GFF59	6P*	7.5	146	175.38	7.6	2.80	8.7	125	150.06	7.7	3.20	10.1	108	130.07	7.7	3.70			6.6	165		128.51	4.5	1.20		GFA39 GFAF39 GF39 GFF39	6P*			7.2	151	117.88	4.6	1.35			GFA39 GFAF39 GF39 GFF39	6P*	7.2	151	117.88	4.6	1.35	8.5	129	100.36	4.8	1.55	9.8	111	86.53	4.9	1.80	11	103	80.65			5.0	1.95	11	103	80.65			5.0	1.95																																																																																																																																																																																																																																																																																																																																												
1.4	718	910	19	2.20			1.6	640	810	19	2.50					1.8	561	710	19	2.85					0.92	1128	1429	8.8	0.80			GFA79R39 GFAF79R39 GF79R39 GFF79R39	4P	6.2	163	127.27	11	3.70	GFA59 GFAF59 GF59 GFF59	6P*			1.0	1003	1271			10	0.85					1.2			870	1102	11			1.00	1.4	766	970	11	1.15	1.5	677	858	12	1.30	GFA69R39 GFAF69R39 GF69R39 GFF69R39	4P	6.6	166	199.70			11			3.60	GFA59 GFAF59 GF59 GFF59	4P	1.7			596					755	12	1.45	2.0	506			641	12	1.70	2.3	452	572	12	1.90	2.6	402	509	12	2.15	3.0			345	437	12	2.50	3.0					345	437	12	2.50	4.5	244	190.76			7.1	1.65	GFA49 GFAF49 GF49 GFF49	6P*	6.6	166	199.70					11	3.60			GFA59 GFAF59 GF59 GFF59	4P			4.8					225	175.38	7.3	1.80	5.7	192	150.06	7.4	2.10	6.5	167	130.07	7.5	2.40	7.0	156	121.57	7.6	2.60			GFA49 GFAF49 GF49 GFF49				6P*	6.7	163	127.27				11			3.70	GFA59 GFAF59 GF59 GFF59			4P	8.1	135	105.09	7.7	3.00	9.5	114	89.29	7.7	3.50	11	102	79.72	7.8			3.90			6.9	159									190.76	7.6			2.50					GFA49 GFAF49 GF49 GFF49	4P	7.1	153	183.60	11			3.90	GFA59 GFAF59 GF59 GFF59	6P*	7.5	146	175.38	7.6	2.80	8.7	125	150.06	7.7	3.20	10.1	108			130.07	7.7		3.70	6.6	165						128.51	4.5	1.20	GFA39 GFAF39 GF39 GFF39	6P*					7.2	151	117.88	4.6	1.35	GFA39 GFAF39 GF39 GFF39	6P*	7.2	151	117.88	4.6	1.35	8.5	129	100.36	4.8	1.55	9.8			111	86.53	4.9	1.80	11			103	80.65		5.0	1.95		11	103	80.65			5.0	1.95																																																																																																																																																																																																																																																																																																																																	
1.6	640	810	19	2.50			1.8	561	710	19	2.85					0.92	1128	1429	8.8	0.80			GFA79R39 GFAF79R39 GF79R39 GFF79R39	4P	6.2	163	127.27	11	3.70	GFA59 GFAF59 GF59 GFF59	6P*			1.0	1003	1271	10	0.85					1.2	870	1102			11	1.00		1.4	766		970			11	1.15	1.5	677	858	12	1.30	GFA69R39 GFAF69R39 GF69R39 GFF69R39	4P	6.6	166	199.70	11	3.60	GFA59 GFAF59 GF59 GFF59	4P			1.7	596	755			12			1.45			2.0			506					641	12	1.70	2.3	452			572	12	1.90	2.6	402	509	12	2.15	3.0	345	437	12	2.50	3.0			345	437	12	2.50	4.5	244	190.76			7.1	1.65	GFA49 GFAF49 GF49 GFF49	6P*	6.6	166	199.70	11	3.60	GFA59 GFAF59 GF59 GFF59	4P			4.8	225	175.38					7.3	1.80	5.7	192					150.06	7.4	2.10			6.5	167	130.07	7.5	2.40	7.0	156	121.57	7.6	2.60	GFA49 GFAF49 GF49 GFF49	6P*	6.7	163	127.27	11	3.70	GFA59 GFAF59 GF59 GFF59	4P								8.1	135	105.09				7.7			3.00					9.5	114	89.29	7.7	3.50	11	102	79.72	7.8	3.90	6.9	159	190.76	7.6			2.50			GFA49 GFAF49 GF49 GFF49	4P	7.1	153	183.60	11					3.90	GFA59 GFAF59 GF59 GFF59			6P*	7.5	146	175.38	7.6			2.80	8.7	125	150.06			7.7			3.20	10.1	108	130.07	7.7	3.70	6.6	165	128.51	4.5	1.20	GFA39 GFAF39 GF39 GFF39			6P*	7.2		151	117.88	4.6						1.35	GFA39 GFAF39 GF39 GFF39	6P*							7.2	151	117.88	4.6	1.35			8.5	129	100.36	4.8	1.55	9.8	111	86.53	4.9	1.80	11			103	80.65	5.0	1.95	11	103	80.65	5.0	1.95																																																																																																																																																																																																																																																																																																																																												
1.8	561	710	19	2.85			0.92	1128	1429	8.8	0.80	GFA79R39 GFAF79R39 GF79R39 GFF79R39	4P			6.2	163	127.27	11	3.70	GFA59 GFAF59 GF59 GFF59	6P*			1.0	1003	1271	10	0.85					1.2	870	1102	11	1.00					1.4	766	970	11	1.15	1.5	677		858	12		1.30	GFA69R39 GFAF69R39 GF69R39 GFF69R39	4P	6.6	166	199.70	11	3.60	GFA59 GFAF59 GF59 GFF59	4P			1.7	596	755	12	1.45					2.0	506	641			12			1.70			2.3			452					572	12	1.90	2.6	402			509	12	2.15	3.0	345	437	12	2.50	3.0	345	437	12	2.50	4.5	244	190.76	7.1	1.65	GFA49 GFAF49 GF49 GFF49	6P*	6.6	166	199.70	11	3.60	GFA59 GFAF59 GF59 GFF59	4P			4.8	225	175.38	7.3	1.80					5.7	192	150.06		7.4	2.10		6.5	167	130.07	7.5			2.40	7.0	156	121.57	7.6			2.60	GFA49 GFAF49 GF49 GFF49	6P*	6.7	163	127.27	11	3.70	GFA59 GFAF59 GF59 GFF59	4P			8.1	135	105.09	7.7	3.00										9.5	114	89.29				7.7			3.50					11	102	79.72	7.8	3.90	6.9	159	190.76	7.6	2.50	GFA49 GFAF49 GF49 GFF49	4P	7.1	153	183.60	11	3.90	GFA59 GFAF59 GF59 GFF59	6P*			7.5	146	175.38	7.6		2.80	8.7		125		150.06	7.7		3.20	10.1	108	130.07			7.7	3.70	6.6	165			128.51			4.5	1.20	GFA39 GFAF39 GF39 GFF39	6P*	7.2	151	117.88	4.6	1.35	GFA39 GFAF39 GF39 GFF39	6P*					7.2		151	117.88	4.6						1.35									8.5	129	100.36	4.8	1.55			9.8	111	86.53	4.9	1.80	11	103	80.65	5.0	1.95	11	103	80.65	5.0	1.95																																																																																																																																																																																																																																																																																																																																																			
0.92	1128	1429	8.8	0.80	GFA79R39 GFAF79R39 GF79R39 GFF79R39	4P	6.2	163	127.27	11	3.70			GFA59 GFAF59 GF59 GFF59	6P*																																																																																																																																																																																																																																																																																																																																																																																																																																																																																																																																																																																																																																																			
1.0	1003	1271	10	0.85			1.2	870	1102	11	1.00					1.4	766	970	11	1.15					1.5	677	858	12	1.30			GFA69R39 GFAF69R39 GF69R39 GFF69R39	4P	6.6	166	199.70	11	3.60	GFA59 GFAF59 GF59 GFF59	4P	1.7	596	755	12	1.45	2.0	506	641	12	1.70	2.3	452	572	12			1.90	2.6	402	509	12					2.15	3.0	345	437	12					2.50	3.0	345			437			12			2.50			4.5	244	190.76			7.1	1.65	GFA49 GFAF49 GF49 GFF49	6P*	6.6	166	199.70	11	3.60	GFA59 GFAF59 GF59 GFF59	4P	4.8	225	175.38	7.3	1.80	5.7	192	150.06	7.4	2.10	6.5	167	130.07	7.5			2.40	7.0	156	121.57	7.6					2.60	GFA49 GFAF49 GF49 GFF49	6P*	6.7	163			127.27	11	3.70	GFA59 GFAF59 GF59 GFF59	4P	8.1	135	105.09	7.7	3.00	9.5	114	89.29	7.7	3.50	11	102	79.72	7.8	3.90	6.9	159	190.76			7.6	2.50	GFA49 GFAF49 GF49 GFF49	4P	7.1					153	183.60	11	3.90	GFA59 GFAF59 GF59 GFF59								6P*		7.5	146	175.38	7.6			2.80			8.7		125	150.06		7.7	3.20	10.1	108	130.07	7.7	3.70	6.6	165	128.51			4.5	1.20	GFA39 GFAF39 GF39 GFF39	6P*	7.2					151	117.88	4.6	1.35	GFA39 GFAF39 GF39 GFF39	6P*	7.2	151	117.88		4.6	1.35		8.5	129	100.36	4.8	1.55	9.8	111	86.53	4.9	1.80	11	103	80.65	5.0	1.95	11	103			80.65	5.0	1.95																																																																																																																																																																																																																																																																																																																																																																																																				
1.2	870	1102	11	1.00			1.4	766	970	11	1.15					1.5	677	858	12	1.30			GFA69R39 GFAF69R39 GF69R39 GFF69R39	4P	6.6	166	199.70	11	3.60	GFA59 GFAF59 GF59 GFF59	4P			1.7	596	755	12	1.45			2.0	506	641	12	1.70	2.3	452	572	12	1.90	2.6	402	509	12			2.15	3.0	345	437	12					2.50	3.0	345	437	12					2.50	4.5	244			190.76	7.1	1.65	GFA49 GFAF49 GF49 GFF49			6P*			6.6	166	199.70	11	3.60	GFA59 GFAF59 GF59 GFF59	4P			4.8	225	175.38	7.3	1.80			5.7	192	150.06	7.4	2.10	6.5	167	130.07	7.5	2.40	7.0	156	121.57	7.6			2.60	GFA49 GFAF49 GF49 GFF49	6P*	6.7	163			127.27	11	3.70			GFA59 GFAF59 GF59 GFF59	4P	8.1	135	105.09	7.7	3.00			9.5	114	89.29	7.7	3.50	11	102	79.72	7.8	3.90	6.9	159	190.76	7.6	2.50	GFA49 GFAF49 GF49 GFF49	4P	7.1			153	183.60			11					3.90	GFA59 GFAF59 GF59 GFF59	6P*	7.5				146	175.38						7.6	2.80	8.7	125	150.06	7.7	3.20			10.1		108	130.07		7.7	3.70	6.6	165	128.51	4.5	1.20	GFA39 GFAF39 GF39 GFF39	6P*	7.2			151	117.88			4.6			1.35	GFA39 GFAF39 GF39 GFF39	6P*	7.2	151	117.88			4.6	1.35	8.5	129	100.36	4.8	1.55	9.8	111	86.53	4.9	1.80	11	103	80.65	5.0	1.95	11	103	80.65	5.0	1.95																																																																																																																																																																																																																																																																																																																																																																																																											
1.4	766	970	11	1.15			1.5	677	858	12	1.30	GFA69R39 GFAF69R39 GF69R39 GFF69R39	4P			6.6	166	199.70	11	3.60	GFA59 GFAF59 GF59 GFF59	4P			1.7	596	755	12	1.45					2.0	506	641	12	1.70			2.3	452	572	12	1.90	2.6	402	509	12	2.15	3.0	345	437	12			2.50	3.0	345	437	12					2.50	4.5	244	190.76	7.1					1.65	GFA49 GFAF49 GF49 GFF49	6P*	6.6	166	199.70	11	3.60					GFA59 GFAF59 GF59 GFF59	4P	4.8	225	175.38	7.3	1.80					5.7	192	150.06	7.4	2.10			6.5	167	130.07	7.5	2.40	7.0	156	121.57	7.6	2.60	GFA49 GFAF49 GF49 GFF49	6P*	6.7	163	127.27	11	3.70			GFA59 GFAF59 GF59 GFF59	4P	8.1	135	105.09	7.7	3.00					9.5	114	89.29	7.7	3.50			11	102	79.72	7.8	3.90	6.9	159	190.76	7.6	2.50	GFA49 GFAF49 GF49 GFF49	4P	7.1	153	183.60			11			3.90	GFA59 GFAF59 GF59 GFF59			6P*					7.5			146				175.38	7.6		2.80	8.7			125	150.06	7.7	3.20	10.1	108	130.07	7.7	3.70	6.6		165	128.51		4.5	1.20	GFA39 GFAF39 GF39 GFF39	6P*	7.2	151	117.88			4.6	1.35	GFA39 GFAF39 GF39 GFF39	6P*	7.2			151	117.88	4.6	1.35			8.5	129	100.36			4.8	1.55	9.8	111	86.53	4.9	1.80	11	103	80.65	5.0	1.95	11	103	80.65	5.0	1.95																																																																																																																																																																																																																																																																																																																																																																																																																
1.5	677	858	12	1.30	GFA69R39 GFAF69R39 GF69R39 GFF69R39	4P	6.6	166	199.70	11	3.60			GFA59 GFAF59 GF59 GFF59	4P																																																																																																																																																																																																																																																																																																																																																																																																																																																																																																																																																																																																																																																			
1.7	596	755	12	1.45			2.0	506	641	12	1.70					2.3	452	572	12	1.90					2.6	402	509	12	2.15					3.0	345	437	12	2.50			3.0	345	437	12	2.50	4.5	244	190.76	7.1	1.65	GFA49 GFAF49 GF49 GFF49	6P*	6.6	166			199.70	11	3.60	GFA59 GFAF59 GF59 GFF59	4P			4.8	225	175.38	7.3	1.80	5.7	192	150.06	7.4	2.10	6.5	167			130.07	7.5	2.40	7.0	156		121.57	7.6				2.60	GFA49 GFAF49 GF49 GFF49	6P*	6.7	163			127.27	11	3.70	GFA59 GFAF59 GF59 GFF59	4P	8.1	135	105.09	7.7	3.00	9.5	114	89.29	7.7	3.50	11	102	79.72	7.8			3.90	6.9	159	190.76	7.6					2.50	GFA49 GFAF49 GF49 GFF49	4P	7.1	153					183.60	11	3.90	GFA59 GFAF59 GF59 GFF59	6P*			7.5	146	175.38	7.6	2.80	8.7	125	150.06	7.7	3.20			10.1	108	130.07			7.7			3.70		6.6	165				128.51	4.5	1.20			GFA39 GFAF39 GF39 GFF39	6P*	7.2	151	117.88	4.6	1.35	GFA39 GFAF39 GF39 GFF39	6P*	7.2	151	117.88	4.6	1.35	8.5	129	100.36	4.8	1.55	9.8	111	86.53	4.9	1.80	11	103	80.65			5.0	1.95	11			103	80.65			5.0			1.95																																																																																																																																																																																																																																																																																																																																																																																																																																											
2.0	506	641	12	1.70			2.3	452	572	12	1.90					2.6	402	509	12	2.15					3.0	345	437	12	2.50					3.0	345	437	12	2.50			4.5	244	190.76	7.1	1.65	GFA49 GFAF49 GF49 GFF49	6P*	6.6	166	199.70			11	3.60	GFA59 GFAF59 GF59 GFF59	4P	4.8	225	175.38			7.3	1.80	5.7	192	150.06	7.4	2.10	6.5	167	130.07	7.5	2.40	7.0	156			121.57	7.6	2.60	GFA49 GFAF49 GF49 GFF49	6P*	6.7	163	127.27	11			3.70			GFA59 GFAF59 GF59 GFF59	4P	8.1	135	105.09	7.7	3.00			9.5	114	89.29	7.7	3.50	11	102	79.72	7.8	3.90	6.9	159	190.76	7.6			2.50	GFA49 GFAF49 GF49 GFF49	4P	7.1	153					183.60			11	3.90					GFA59 GFAF59 GF59 GFF59	6P*	7.5					146	175.38	7.6	2.80	8.7	125	150.06	7.7	3.20	10.1			108	130.07	7.7	3.70	6.6	165	128.51	4.5	1.20		GFA39 GFAF39 GF39 GFF39	6P*		7.2	151	117.88	4.6	1.35	GFA39 GFAF39 GF39 GFF39	6P*			7.2	151	117.88	4.6	1.35			8.5	129	100.36	4.8	1.55	9.8	111	86.53	4.9	1.80	11	103	80.65	5.0	1.95	11	103	80.65			5.0	1.95																																																																																																																																																																																																																																																																																																																																																																																																																																																						
2.3	452	572	12	1.90			2.6	402	509	12	2.15					3.0	345	437	12	2.50					3.0	345	437	12	2.50					4.5	244	190.76	7.1	1.65			GFA49 GFAF49 GF49 GFF49	6P*	6.6	166	199.70			11	3.60	GFA59 GFAF59 GF59 GFF59			4P	4.8			225	175.38	7.3			1.80	5.7	192	150.06	7.4	2.10	6.5	167	130.07	7.5	2.40	7.0	156	121.57	7.6	2.60	GFA49 GFAF49 GF49 GFF49	6P*	6.7			163	127.27	11	3.70	GFA59 GFAF59 GF59 GFF59	4P	8.1					135	105.09	7.7	3.00	9.5			114	89.29	7.7	3.50	11	102	79.72	7.8	3.90	6.9	159	190.76	7.6	2.50			GFA49 GFAF49 GF49 GFF49			4P	7.1					153			183.60	11							3.90					GFA59 GFAF59 GF59 GFF59	6P*	7.5	146	175.38	7.6	2.80	8.7	125	150.06	7.7	3.20	10.1	108	130.07	7.7	3.70	6.6	165	128.51	4.5	1.20			GFA39 GFAF39 GF39 GFF39	6P*	7.2	151	117.88	4.6					1.35	GFA39 GFAF39 GF39 GFF39	6P*	7.2	151			117.88	4.6	1.35	8.5	129	100.36	4.8	1.55	9.8	111	86.53	4.9	1.80	11	103	80.65	5.0	1.95			11	103	80.65			5.0	1.95																																																																																																																																																																																																																																																																																																																																																																																																																																																	
2.6	402	509	12	2.15			3.0	345	437	12	2.50					3.0	345	437	12	2.50					4.5	244	190.76	7.1	1.65			GFA49 GFAF49 GF49 GFF49	6P*	6.6	166	199.70	11	3.60	GFA59 GFAF59 GF59 GFF59	4P			4.8	225	175.38			7.3	1.80					5.7			192	150.06	7.4			2.10	6.5	167	130.07	7.5	2.40	7.0	156	121.57	7.6	2.60	GFA49 GFAF49 GF49 GFF49	6P*	6.7	163	127.27			11			3.70	GFA59 GFAF59 GF59 GFF59	4P	8.1			135					105.09	7.7	3.00	9.5	114			89.29	7.7	3.50	11	102	79.72	7.8	3.90	6.9	159	190.76	7.6	2.50	GFA49 GFAF49 GF49 GFF49							4P					7.1			153	183.60	11	3.90					GFA59 GFAF59 GF59 GFF59			6P*	7.5			146	175.38	7.6	2.80	8.7	125	150.06	7.7	3.20	10.1	108	130.07	7.7	3.70	6.6	165	128.51	4.5	1.20	GFA39 GFAF39 GF39 GFF39					6P*	7.2	151	117.88					4.6			1.35	GFA39 GFAF39 GF39 GFF39			6P*	7.2	151	117.88	4.6	1.35	8.5	129	100.36	4.8	1.55	9.8	111	86.53	4.9	1.80	11	103			80.65	5.0	1.95			11	103			80.65	5.0	1.95																																																																																																																																																																																																																																																																																																																																																																																																																																												
3.0	345	437	12	2.50			3.0	345	437	12	2.50					4.5	244	190.76	7.1	1.65			GFA49 GFAF49 GF49 GFF49	6P*	6.6	166	199.70	11	3.60	GFA59 GFAF59 GF59 GFF59	4P			4.8	225	175.38	7.3	1.80					5.7	192	150.06			7.4	2.10		6.5	167		130.07			7.5	2.40	7.0	156	121.57	7.6	2.60	GFA49 GFAF49 GF49 GFF49	6P*	6.7	163	127.27	11	3.70	GFA59 GFAF59 GF59 GFF59	4P			8.1	135	105.09			7.7			3.00			9.5			114					89.29	7.7	3.50	11	102			79.72	7.8	3.90	6.9	159	190.76	7.6	2.50	GFA49 GFAF49 GF49 GFF49	4P	7.1	153	183.60									11	3.90			GFA59 GFAF59 GF59 GFF59	6P*	7.5	146	175.38	7.6	2.80	8.7	125				150.06	7.7		3.20			10.1	108	130.07	7.7	3.70	6.6	165	128.51	4.5	1.20	GFA39 GFAF39 GF39 GFF39	6P*	7.2	151	117.88	4.6	1.35	GFA39 GFAF39 GF39 GFF39	6P*							7.2	151	117.88					4.6			1.35					8.5	129	100.36	4.8	1.55	9.8	111	86.53	4.9	1.80	11	103	80.65	5.0	1.95	11	103			80.65	5.0	1.95																																																																																																																																																																																																																																																																																																																																																																																																																																																					
3.0	345	437	12	2.50			4.5	244	190.76	7.1	1.65	GFA49 GFAF49 GF49 GFF49	6P*			6.6	166	199.70	11	3.60	GFA59 GFAF59 GF59 GFF59	4P			4.8	225	175.38	7.3	1.80					5.7	192	150.06	7.4	2.10					6.5	167	130.07	7.5	2.40	7.0	156		121.57	7.6		2.60	GFA49 GFAF49 GF49 GFF49	6P*	6.7	163	127.27	11	3.70	GFA59 GFAF59 GF59 GFF59	4P			8.1	135	105.09	7.7	3.00					9.5	114	89.29			7.7			3.50			11			102					79.72	7.8	3.90	6.9	159			190.76	7.6	2.50	GFA49 GFAF49 GF49 GFF49	4P	7.1	153	183.60			11	3.90	GFA59 GFAF59 GF59 GFF59		6P*	7.5		146	175.38			7.6	2.80	8.7	125			150.06	7.7	3.20	10.1	108	130.07	7.7	3.70	6.6		165	128.51		4.5			1.20	GFA39 GFAF39 GF39 GFF39	6P*	7.2	151	117.88	4.6	1.35	GFA39 GFAF39 GF39 GFF39	6P*			7.2	151	117.88	4.6	1.35									8.5	129	100.36					4.8			1.55					9.8	111	86.53	4.9	1.80	11	103	80.65	5.0	1.95	11	103	80.65	5.0	1.95																																																																																																																																																																																																																																																																																																																																																																																																																																																												
4.5	244	190.76	7.1	1.65	GFA49 GFAF49 GF49 GFF49	6P*	6.6	166	199.70	11	3.60			GFA59 GFAF59 GF59 GFF59	4P																																																																																																																																																																																																																																																																																																																																																																																																																																																																																																																																																																																																																																																			
4.8	225	175.38	7.3	1.80			5.7	192	150.06	7.4	2.10					6.5	167	130.07	7.5	2.40					7.0	156	121.57	7.6	2.60			GFA49 GFAF49 GF49 GFF49	6P*	6.7	163	127.27	11	3.70	GFA59 GFAF59 GF59 GFF59	4P	8.1	135	105.09	7.7	3.00	9.5	114	89.29	7.7	3.50	11	102	79.72	7.8			3.90	6.9	159	190.76	7.6					2.50	GFA49 GFAF49 GF49 GFF49	4P	7.1	153					183.60	11	3.90			GFA59 GFAF59 GF59 GFF59			6P*			7.5			146	175.38	7.6			2.80	8.7	125	150.06	7.7	3.20	10.1	108	130.07	7.7			3.70	6.6	165			128.51	4.5		1.20		GFA39 GFAF39 GF39 GFF39	6P*	7.2	151	117.88	4.6	1.35	GFA39 GFAF39 GF39 GFF39	6P*	7.2			151	117.88	4.6	1.35	8.5	129	100.36	4.8	1.55	9.8	111	86.53	4.9	1.80	11	103	80.65			5.0	1.95	11	103	80.65					5.0	1.95																																																																																																																																																																																																																																																																																																																																																																																																																																																																																																					
5.7	192	150.06	7.4	2.10			6.5	167	130.07	7.5	2.40					7.0	156	121.57	7.6	2.60			GFA49 GFAF49 GF49 GFF49	6P*	6.7	163	127.27	11	3.70	GFA59 GFAF59 GF59 GFF59	4P			8.1	135	105.09	7.7	3.00			9.5	114	89.29	7.7	3.50	11	102	79.72	7.8	3.90	6.9	159	190.76	7.6			2.50	GFA49 GFAF49 GF49 GFF49	4P	7.1	153					183.60			11	3.90					GFA59 GFAF59 GF59 GFF59	6P*	7.5				146	175.38				7.6			2.80	8.7	125	150.06	7.7	3.20	10.1	108	130.07	7.7	3.70	6.6	165	128.51	4.5			1.20	GFA39 GFAF39 GF39 GFF39	6P*	7.2	151	117.88	4.6		1.35				GFA39 GFAF39 GF39 GFF39	6P*	7.2	151	117.88			4.6	1.35	8.5	129	100.36	4.8	1.55	9.8	111	86.53	4.9	1.80	11	103	80.65	5.0	1.95	11	103	80.65			5.0	1.95																																																																																																																																																																																																																																																																																																																																																																																																																																																																																																														
6.5	167	130.07	7.5	2.40			7.0	156	121.57	7.6	2.60	GFA49 GFAF49 GF49 GFF49	6P*			6.7	163	127.27	11	3.70	GFA59 GFAF59 GF59 GFF59	4P			8.1	135	105.09	7.7	3.00					9.5	114	89.29	7.7	3.50			11	102	79.72	7.8	3.90	6.9	159	190.76	7.6	2.50	GFA49 GFAF49 GF49 GFF49	4P	7.1	153			183.60			11	3.90					GFA59 GFAF59 GF59 GFF59			6P*	7.5							146	175.38	7.6		2.80	8.7				125	150.06	7.7	3.20	10.1	108	130.07	7.7	3.70	6.6	165	128.51	4.5	1.20	GFA39 GFAF39 GF39 GFF39	6P*	7.2	151	117.88	4.6	1.35			GFA39 GFAF39 GF39 GFF39	6P*	7.2	151	117.88	4.6	1.35					8.5	129	100.36			4.8	1.55	9.8	111	86.53	4.9	1.80	11	103	80.65	5.0	1.95	11	103	80.65	5.0	1.95																																																																																																																																																																																																																																																																																																																																																																																																																																																																																																																					
7.0	156	121.57	7.6	2.60	GFA49 GFAF49 GF49 GFF49	6P*	6.7	163	127.27	11	3.70			GFA59 GFAF59 GF59 GFF59	4P																																																																																																																																																																																																																																																																																																																																																																																																																																																																																																																																																																																																																																																			
8.1	135	105.09	7.7	3.00			9.5	114	89.29	7.7	3.50					11	102	79.72	7.8	3.90					6.9	159	190.76	7.6	2.50					GFA49 GFAF49 GF49 GFF49	4P	7.1	153	183.60			11	3.90	GFA59 GFAF59 GF59 GFF59	6P*	7.5	146	175.38	7.6	2.80	8.7			125	150.06			7.7			3.20	10.1			108	130.07		7.7	3.70		6.6	165	128.51	4.5	1.20			GFA39 GFAF39 GF39 GFF39	6P*	7.2	151	117.88	4.6	1.35	GFA39 GFAF39 GF39 GFF39	6P*	7.2	151	117.88	4.6	1.35	8.5	129	100.36	4.8	1.55	9.8	111	86.53	4.9			1.80	11	103	80.65	5.0					1.95	11	103	80.65	5.0					1.95																																																																																																																																																																																																																																																																																																																																																																																																																																																																																																																																										
9.5	114	89.29	7.7	3.50			11	102	79.72	7.8	3.90					6.9	159	190.76	7.6	2.50					GFA49 GFAF49 GF49 GFF49	4P	7.1	153	183.60							11	3.90	GFA59 GFAF59 GF59 GFF59			6P*	7.5			146	175.38	7.6	2.80	8.7	125			150.06	7.7	3.20	10.1	108	130.07	7.7	3.70	6.6	165	128.51	4.5	1.20		GFA39 GFAF39 GF39 GFF39	6P*		7.2	151	117.88	4.6	1.35	GFA39 GFAF39 GF39 GFF39	6P*			7.2	151	117.88	4.6	1.35			8.5	129	100.36	4.8	1.55	9.8	111	86.53	4.9	1.80	11	103	80.65	5.0			1.95	11	103	80.65	5.0					1.95																																																																																																																																																																																																																																																																																																																																																																																																																																																																																																																																																			
11	102	79.72	7.8	3.90			6.9	159	190.76	7.6	2.50					GFA49 GFAF49 GF49 GFF49	4P	7.1	153	183.60							11	3.90	GFA59 GFAF59 GF59 GFF59							6P*	7.5					146			175.38	7.6	2.80	8.7	125	150.06	7.7	3.20	10.1	108	130.07	7.7	3.70	6.6	165	128.51	4.5	1.20	GFA39 GFAF39 GF39 GFF39	6P*	7.2	151			117.88	4.6	1.35	GFA39 GFAF39 GF39 GFF39	6P*	7.2					151	117.88	4.6	1.35	8.5			129	100.36	4.8	1.55	9.8	111	86.53	4.9	1.80	11	103	80.65	5.0	1.95			11	103	80.65	5.0	1.95																																																																																																																																																																																																																																																																																																																																																																																																																																																																																																																																																								
6.9	159	190.76	7.6	2.50			GFA49 GFAF49 GF49 GFF49	4P	7.1	153	183.60							11	3.90	GFA59 GFAF59 GF59 GFF59							6P*																																																																																																																																																																																																																																																																																																																																																																																																																																																																																																																																																																																																																																							
7.5	146	175.38	7.6	2.80					8.7	125	150.06							7.7	3.20				10.1	108				130.07		7.7	3.70	6.6	165	128.51	4.5		1.20		GFA39 GFAF39 GF39 GFF39	6P*		7.2	151	117.88	4.6	1.35	GFA39 GFAF39 GF39 GFF39	6P*	7.2	151	117.88	4.6	1.35	8.5	129	100.36	4.8	1.55	9.8	111	86.53	4.9			1.80	11			103	80.65	5.0			1.95					11	103	80.65	5.0	1.95																																																																																																																																																																																																																																																																																																																																																																																																																																																																																																																																																																															
8.7	125	150.06	7.7	3.20					10.1	108	130.07	7.7	3.70					6.6	165		128.51	4.5	1.20	GFA39 GFAF39 GF39 GFF39	6P*	7.2		151		117.88	4.6	1.35	GFA39 GFAF39 GF39 GFF39	6P*	7.2		151	117.88			4.6	1.35	8.5	129	100.36	4.8			1.55	9.8	111	86.53	4.9	1.80	11	103	80.65	5.0	1.95	11	103	80.65			5.0	1.95																																																																																																																																																																																																																																																																																																																																																																																																																																																																																																																																																																																																
10.1	108	130.07	7.7	3.70	6.6	165			128.51	4.5	1.20	GFA39 GFAF39 GF39 GFF39	6P*	7.2	151	117.88	4.6	1.35	GFA39 GFAF39 GF39 GFF39		6P*	7.2	151			117.88		4.6	1.35	8.5	129	100.36			4.8	1.55	9.8	111			86.53	4.9	1.80	11	103	80.65			5.0	1.95	11	103	80.65	5.0	1.95																																																																																																																																																																																																																																																																																																																																																																																																																																																																																																																																																																																																											
6.6	165	128.51	4.5	1.20	GFA39 GFAF39 GF39 GFF39	6P*	7.2	151	117.88	4.6	1.35			GFA39 GFAF39 GF39 GFF39	6P*																																																																																																																																																																																																																																																																																																																																																																																																																																																																																																																																																																																																																																																			
7.2	151	117.88	4.6	1.35			8.5	129	100.36	4.8	1.55					9.8	111	86.53		4.9		1.80	11			103	80.65	5.0	1.95	11	103	80.65			5.0	1.95																																																																																																																																																																																																																																																																																																																																																																																																																																																																																																																																																																																																																														
8.5	129	100.36	4.8	1.55			9.8	111	86.53	4.9	1.80					11	103	80.65		5.0		1.95	11			103	80.65	5.0	1.95																																																																																																																																																																																																																																																																																																																																																																																																																																																																																																																																																																																																																																					
9.8	111	86.53	4.9	1.80			11	103	80.65	5.0	1.95					11	103	80.65		5.0		1.95																																																																																																																																																																																																																																																																																																																																																																																																																																																																																																																																																																																																																																												
11	103	80.65	5.0	1.95			11	103	80.65	5.0	1.95																																																																																																																																																																																																																																																																																																																																																																																																																																																																																																																																																																																																																																																							
11	103	80.65	5.0	1.95																																																																																																																																																																																																																																																																																																																																																																																																																																																																																																																																																																																																																																																														

*0.12kW (6P) 电机需特制。*0.12kW motor of 6 poles needs to be specially requested and then manufactured.

选型参数表
(恒功率) 0.12kW-0.18kW
Selection Table
(Constant Power) 0.12kW-0.18kW

n_a [r/min]	M_a [Nm]	i	F_{Ra} [kN]	f_B	机型号 Type size	极数 Pole	n_a [r/min]	M_a [Nm]	i	F_{Ra} [kN]	f_B	机型号 Type size	极数 Pole																																																																																																																																																																																																																																																																																																																																																																																																																																																																																																																																																																																																																																																																																																																																																																																																																																																																																																																																																																																																									
0.12kW							0.18kW																																																																																																																																																																																																																																																																																																																																																																																																																																																																																																																																																																																																																																																																																																																																																																																																																																																																																																																																																																																																															
10	107	128.51	5.0	1.85	GFA39 GFAF39 GF39 GFF39	4P	1.5	1016	858	8.9	0.85	GFA69R39 GFAF69R39 GF69R39 GFF69R39	4P																																																																																																																																																																																																																																																																																																																																																																																																																																																																																																																																																																																																																																																																																																																																																																																																																																																																																																																																																																																																									
11	98	117.88	5.0	2.00			13	83	100.36	5.1	2.40			15	72	86.53	5.1	2.80	16	67	80.65	5.1	3.00	0.18kW							2.6	603	509	12	1.45	GFA69R39 GFAF69R39 GF69R39 GFF69R39	4P	0.10	15291	12912	83	0.80	GFA129R79 GFAF129R79 GF129R79 GFF129R79	4P	3.0	518	437	12	1.70	0.11	13788	11643	86	0.90	GFA69R39 GFAF69R39 GF69R39 GFF69R39	4P	3.4	455	384	12	1.90	0.13	12056	10180	86	1.05	GFA69R39 GFAF69R39 GF69R39 GFF69R39	4P	2.6	592	500	11	1.45	0.15	10448	8822	86	1.20	GFA69R39 GFAF69R39 GF69R39 GFF69R39	4P	2.9	538	454	12	1.60	0.17	9041	7634	86	1.40	GFA69R39 GFAF69R39 GF69R39 GFF69R39	4P	3.3	464	392	12	1.85	0.20	7944	6708	86	1.60	GFA69R39 GFAF69R39 GF69R39 GFF69R39	4P	3.9	394	333	12	2.20	0.15	10123	8548	45	0.80	GFA109R79 GFAF109R79 GF109R79 GFF109R79	4P	4.4	352	297	12	2.50	0.17	9089	7675	46	0.90	GFA109R79 GFAF109R79 GF109R79 GFF109R79	4P	5.0	309	261	12	2.80	0.19	8015	6768	49	1.05	GFA109R79 GFAF109R79 GF109R79 GFF109R79	4P	5.5	282	238	12	3.10	0.22	7051	5954	51	1.15	GFA109R79 GFAF109R79 GF109R79 GFF109R79	4P	6.6	237	200	12	3.65	0.25	6185	5223	53	1.35	GFA109R79 GFAF109R79 GF109R79 GFF109R79	4P	2.3	661	558	8.6	0.95	GFA59R39 GFAF59R39 GF59R39 GFF59R39	4P	0.29	5409	4567	54	1.55	GFA109R79 GFAF109R79 GF109R79 GFF109R79	4P	2.6	599	506	9.1	1.05	0.37	4170	3521	56	2.00	GFA109R79 GFAF109R79 GF109R79 GFF109R79	4P	2.9	535	452	10	1.20	0.43	3597	3037	57	2.30	GFA109R79 GFAF109R79 GF109R79 GFF109R79	4P	3.4	457	386	10	1.40	0.48	3264	2756	58	2.55	GFA109R79 GFAF109R79 GF109R79 GFF109R79	4P	3.9	400	338	10	1.60	0.55	2806	2369	58	2.95	GFA109R79 GFAF109R79 GF109R79 GFF109R79	4P	3.1	505	426	10	1.25	0.63	2449	2068	59	3.40	GFA109R79 GFAF109R79 GF109R79 GFF109R79	4P	3.4	452	382	10	1.40	0.30	5131	4333	27	0.90	GFA99R59 GFAF99R59 GF99R59 GFF99R59	4P	4.0	391	330	10	1.60	0.34	4626	3906	29	1.00	GFA99R59 GFAF99R59 GF99R59 GFF99R59	4P	4.4	353	298	10	1.80	0.39	3970	3352	30	1.15	GFA99R59 GFAF99R59 GF99R59 GFF99R59	4P	5.0	310	262	11	2.05	0.45	3443	2907	31	1.30	GFA99R59 GFAF99R59 GF99R59 GFF99R59	4P	5.8	268	226	11	2.40	0.51	3023	2553	32	1.50	GFA99R59 GFAF99R59 GF99R59 GFF99R59	4P	6.6	237	200	11	2.70	0.58	2659	2245	33	1.70	GFA99R59 GFAF99R59 GF99R59 GFF99R59	4P	3.5	438	370	5.6	0.95	GFA49R19 GFAF49R19 GF49R19 GFF49R19	4P	0.66	2333	1970	33	1.95	GFA99R59 GFAF99R59 GF99R59 GFF99R59	4P	4.0	384	324	6.1	1.10	0.76	2041	1723	34	2.20	GFA99R59 GFAF99R59 GF99R59 GFF99R59	4P	4.5	341	288	6.6	1.25	0.86	1810	1528	34	2.50	GFA99R59 GFAF99R59 GF99R59 GFF99R59	4P	5.3	295	249	6.9	1.45	0.99	1572	1327	35	2.90	GFA99R59 GFAF99R59 GF99R59 GFF99R59	4P	3.9	396	334	5.9	1.05	1.1	1387	1171	35	3.30	GFA99R59 GFAF99R59 GF99R59 GFF99R59	4P	4.5	348	294	6.4	1.20	0.51	3050	2575	22	1.05	GFA89R59 GFAF89R59 GF89R59	4P	5.2	300	253	6.9	1.40	0.60	2604	2199	24	1.20	GFA89R59 GFAF89R59 GF89R59	4P	6.0	257	217	7.1	1.65	0.68	2286	1930	25	1.40	GFA89R59 GFAF89R59 GF89R59	4P	6.9	225	190	7.3	1.85	0.77	2024	1709	25	1.60	GFA89R59 GFAF89R59 GF89R59	4P	7.4	211	178	7.4	2.00	0.88	1768	1493	26	1.80	GFA89R59 GFAF89R59 GF89R59	4P	7.0	220	186	4.0	0.95	GFF39R19 GFAF39R19 GF39R19 GFF39R19	4P	1.1	1360	1148	27	2.35	GFA89R59 GFAF89R59 GF89R59	4P	7.8	198	167	4.2	1.05	1.3	1196	1010	27	2.65	GFA89R59 GFAF89R59 GF89R59	4P	9.0	172	145	4.5	1.20	1.5	1050	887	28	3.00	GFA89R59 GFAF89R59 GF89R59	4P	10	153	129	4.7	1.40	1.7	924	780	28	3.45	GFA89R59 GFAF89R59 GF89R59	4P	3.0	541	281.71	19	2.70	GFA79 GFAF79 GF79 GFF79	6P	0.85	1829	1544	13	0.85	GFA79R39 GFAF79R39 GF79R39 GFF79R39	4P	3.2	505	262.93	19	2.90	1.0	1604	1354	15	1.00	GFA79R39 GFAF79R39 GF79R39 GFF79R39	4P	3.8	434	225.79	19	3.40	1.1	1421	1200	16	1.10	GFA79R39 GFAF79R39 GF79R39 GFF79R39	4P	3.7	440	228.99	12	1.80	GFA69 GFAF69 GF69 GFF69	6P	1.2	1247	1053	17	1.30	GFA79R39 GFAF79R39 GF79R39 GFF79R39	4P	4.4	375	195.39	12	2.10	1.4	1078	910	17	1.50	GFA79R39 GFAF79R39 GF79R39 GFF79R39	4P	5.0	328	170.85	12	2.40	1.6	959	810	18	1.65	GFA79R39 GFAF79R39 GF79R39 GFF79R39	4P	5.7	285	228.99	12	2.80	1.8	841	710	18	1.90	GFA79R39 GFAF79R39 GF79R39 GFF79R39	4P	6.7	244	195.39	12	3.20	2.1	728	615	18	2.20	GFA79R39 GFAF79R39 GF79R39 GFF79R39	4P	7.7	213	170.85	12	3.70						GFA59 GFAF59 GF59 GFF59	6P	4.3	384	199.70	10	1.50						GFA59 GFAF59 GF59 GFF59	6P	4.6	353	183.60	10	1.65						GFA59 GFAF59 GF59 GFF59	6P	5.4	302	157.09	11	1.95						GFA59 GFAF59 GF59 GFF59	6P	6.2	262	136.16	11	2.20						GFA59 GFAF59 GF59 GFF59	6P	6.7	245	127.27	11	2.40						GFA59 GFAF59 GF59 GFF59	6P	7.7	211	110.01	11	2.80																																																																																																																																																																																																																																																																																																																																			
13	83	100.36	5.1	2.40			15	72	86.53	5.1	2.80			16	67	80.65	5.1	3.00	0.18kW							2.6	603	509	12	1.45	GFA69R39 GFAF69R39 GF69R39 GFF69R39	4P	0.10	15291	12912			83	0.80	GFA129R79 GFAF129R79 GF129R79 GFF129R79	4P	3.0			518	437	12	1.70	0.11	13788	11643	86	0.90	GFA69R39 GFAF69R39 GF69R39 GFF69R39			4P	3.4	455	384	12	1.90	0.13	12056	10180	86			1.05	GFA69R39 GFAF69R39 GF69R39 GFF69R39	4P	2.6	592	500	11	1.45	0.15	10448			8822	86	1.20	GFA69R39 GFAF69R39 GF69R39 GFF69R39	4P	2.9	538	454	12	1.60			0.17	9041	7634	86	1.40	GFA69R39 GFAF69R39 GF69R39 GFF69R39	4P	3.3	464	392			12	1.85	0.20	7944	6708	86	1.60	GFA69R39 GFAF69R39 GF69R39 GFF69R39	4P	3.9			394	333	12	2.20	0.15	10123	8548	45	0.80	GFA109R79 GFAF109R79 GF109R79 GFF109R79			4P	4.4	352	297	12	2.50	0.17	9089	7675	46			0.90	GFA109R79 GFAF109R79 GF109R79 GFF109R79	4P	5.0	309	261	12	2.80	0.19	8015			6768	49	1.05	GFA109R79 GFAF109R79 GF109R79 GFF109R79	4P	5.5	282	238	12	3.10			0.22	7051	5954	51	1.15			GFA109R79 GFAF109R79 GF109R79 GFF109R79	4P	6.6	237	200			12	3.65	0.25	6185	5223	53	1.35	GFA109R79 GFAF109R79 GF109R79 GFF109R79	4P	2.3			661	558	8.6	0.95	GFA59R39 GFAF59R39 GF59R39 GFF59R39	4P	0.29	5409	4567	54			1.55	GFA109R79 GFAF109R79 GF109R79 GFF109R79	4P	2.6	599	506	9.1	1.05	0.37	4170			3521	56	2.00	GFA109R79 GFAF109R79 GF109R79 GFF109R79	4P	2.9	535	452	10	1.20			0.43	3597	3037	57	2.30	GFA109R79 GFAF109R79 GF109R79 GFF109R79	4P	3.4	457	386			10	1.40	0.48	3264	2756	58	2.55	GFA109R79 GFAF109R79 GF109R79 GFF109R79	4P	3.9			400	338	10	1.60	0.55	2806	2369	58	2.95	GFA109R79 GFAF109R79 GF109R79 GFF109R79			4P	3.1	505	426	10	1.25	0.63	2449	2068	59			3.40	GFA109R79 GFAF109R79 GF109R79 GFF109R79	4P	3.4	452	382	10	1.40	0.30	5131			4333	27	0.90	GFA99R59 GFAF99R59 GF99R59 GFF99R59	4P	4.0	391	330	10	1.60			0.34	4626	3906	29	1.00	GFA99R59 GFAF99R59 GF99R59 GFF99R59	4P	4.4	353	298			10	1.80	0.39	3970	3352			30	1.15	GFA99R59 GFAF99R59 GF99R59 GFF99R59	4P	5.0			310	262	11	2.05	0.45	3443	2907	31	1.30	GFA99R59 GFAF99R59 GF99R59 GFF99R59			4P	5.8	268	226	11	2.40	0.51	3023	2553	32			1.50	GFA99R59 GFAF99R59 GF99R59 GFF99R59	4P	6.6	237	200	11	2.70	0.58	2659			2245	33	1.70	GFA99R59 GFAF99R59 GF99R59 GFF99R59	4P	3.5	438	370	5.6	0.95			GFA49R19 GFAF49R19 GF49R19 GFF49R19	4P	0.66	2333	1970	33	1.95	GFA99R59 GFAF99R59 GF99R59 GFF99R59	4P	4.0			384	324	6.1	1.10	0.76	2041	1723	34	2.20	GFA99R59 GFAF99R59 GF99R59 GFF99R59			4P	4.5	341	288	6.6	1.25	0.86	1810	1528	34			2.50	GFA99R59 GFAF99R59 GF99R59 GFF99R59	4P	5.3	295	249	6.9	1.45	0.99	1572			1327	35	2.90	GFA99R59 GFAF99R59 GF99R59 GFF99R59	4P	3.9	396	334	5.9	1.05			1.1	1387	1171	35	3.30			GFA99R59 GFAF99R59 GF99R59 GFF99R59	4P	4.5	348	294			6.4	1.20	0.51	3050	2575	22	1.05	GFA89R59 GFAF89R59 GF89R59	4P	5.2			300	253	6.9	1.40	0.60	2604	2199	24	1.20	GFA89R59 GFAF89R59 GF89R59			4P	6.0	257	217	7.1	1.65	0.68	2286	1930	25			1.40	GFA89R59 GFAF89R59 GF89R59	4P	6.9	225			190	7.3	1.85	0.77	2024			1709	25	1.60	GFA89R59 GFAF89R59 GF89R59	4P	7.4	211	178	7.4	2.00			0.88	1768	1493	26	1.80	GFA89R59 GFAF89R59 GF89R59	4P	7.0	220	186			4.0	0.95	GFF39R19 GFAF39R19 GF39R19 GFF39R19	4P	1.1			1360	1148	27	2.35	GFA89R59 GFAF89R59 GF89R59			4P	7.8	198	167	4.2	1.05	1.3	1196	1010	27			2.65	GFA89R59 GFAF89R59 GF89R59	4P	9.0	172	145	4.5	1.20	1.5	1050			887	28	3.00	GFA89R59 GFAF89R59 GF89R59	4P	10	153	129	4.7	1.40			1.7	924	780	28	3.45	GFA89R59 GFAF89R59 GF89R59	4P	3.0	541	281.71			19	2.70	GFA79 GFAF79 GF79 GFF79	6P	0.85	1829	1544	13	0.85	GFA79R39 GFAF79R39 GF79R39 GFF79R39			4P	3.2	505	262.93	19	2.90	1.0	1604	1354	15			1.00	GFA79R39 GFAF79R39 GF79R39 GFF79R39	4P	3.8	434	225.79	19	3.40	1.1	1421			1200	16	1.10	GFA79R39 GFAF79R39 GF79R39 GFF79R39	4P	3.7	440	228.99	12	1.80			GFA69 GFAF69 GF69 GFF69	6P	1.2	1247	1053	17	1.30	GFA79R39 GFAF79R39 GF79R39 GFF79R39	4P	4.4			375	195.39	12	2.10	1.4	1078	910	17	1.50	GFA79R39 GFAF79R39 GF79R39 GFF79R39			4P	5.0	328	170.85	12	2.40	1.6	959	810	18	1.65	GFA79R39 GFAF79R39 GF79R39 GFF79R39	4P	5.7	285	228.99	12	2.80	1.8	841	710	18	1.90	GFA79R39 GFAF79R39 GF79R39 GFF79R39	4P	6.7	244	195.39	12	3.20	2.1	728	615	18	2.20	GFA79R39 GFAF79R39 GF79R39 GFF79R39	4P	7.7	213	170.85	12	3.70						GFA59 GFAF59 GF59 GFF59	6P	4.3	384	199.70	10	1.50						GFA59 GFAF59 GF59 GFF59	6P	4.6	353	183.60	10	1.65						GFA59 GFAF59 GF59 GFF59	6P	5.4	302	157.09	11	1.95						GFA59 GFAF59 GF59 GFF59	6P	6.2	262	136.16	11	2.20						GFA59 GFAF59 GF59 GFF59	6P	6.7	245	127.27	11	2.40						GFA59 GFAF59 GF59 GFF59	6P	7.7	211	110.01	11	2.80																																																																																																																																																																																																																						
15	72	86.53	5.1	2.80			16	67	80.65	5.1	3.00			0.18kW							2.6	603	509	12	1.45	GFA69R39 GFAF69R39 GF69R39 GFF69R39	4P	0.10	15291	12912			83	0.80	GFA129R79 GFAF129R79 GF129R79 GFF129R79			4P	3.0			518			437	12	1.70	0.11	13788	11643	86	0.90	GFA69R39 GFAF69R39 GF69R39 GFF69R39					4P	3.4	455	384	12	1.90	0.13	12056	10180			86			1.05	GFA69R39 GFAF69R39 GF69R39 GFF69R39	4P	2.6	592	500	11			1.45	0.15	10448			8822	86	1.20	GFA69R39 GFAF69R39 GF69R39 GFF69R39	4P			2.9	538	454	12	1.60			0.17	9041	7634			86	1.40	GFA69R39 GFAF69R39 GF69R39 GFF69R39	4P	3.3	464	392			12			1.85	0.20	7944	6708	86	1.60	GFA69R39 GFAF69R39 GF69R39 GFF69R39	4P	3.9					394	333	12	2.20	0.15	10123	8548	45	0.80			GFA109R79 GFAF109R79 GF109R79 GFF109R79			4P	4.4	352	297	12	2.50	0.17			9089	7675	46			0.90	GFA109R79 GFAF109R79 GF109R79 GFF109R79	4P	5.0	309			261	12	2.80	0.19	8015					6768	49	1.05			GFA109R79 GFAF109R79 GF109R79 GFF109R79	4P	5.5	282	238	12	3.10			0.22			7051	5954	51	1.15			GFA109R79 GFAF109R79 GF109R79 GFF109R79	4P	6.6	237			200			12	3.65	0.25	6185	5223	53	1.35			GFA109R79 GFAF109R79 GF109R79 GFF109R79	4P	2.3			661	558	8.6	0.95	GFA59R39 GFAF59R39 GF59R39 GFF59R39			4P	0.29	5409	4567	54			1.55	GFA109R79 GFAF109R79 GF109R79 GFF109R79	4P			2.6	599	506	9.1	1.05	0.37	4170			3521			56	2.00	GFA109R79 GFAF109R79 GF109R79 GFF109R79	4P	2.9	535	452	10	1.20					0.43	3597	3037	57	2.30	GFA109R79 GFAF109R79 GF109R79 GFF109R79	4P	3.4	457			386			10	1.40	0.48	3264	2756	58	2.55			GFA109R79 GFAF109R79 GF109R79 GFF109R79	4P	3.9			400	338	10	1.60	0.55			2806	2369	58	2.95	GFA109R79 GFAF109R79 GF109R79 GFF109R79			4P	3.1	505			426	10	1.25	0.63	2449			2068	59			3.40			GFA109R79 GFAF109R79 GF109R79 GFF109R79	4P	3.4	452	382	10	1.40	0.30	5131					4333	27	0.90	GFA99R59 GFAF99R59 GF99R59 GFF99R59	4P	4.0	391	330	10			1.60			0.34	4626	3906	29	1.00	GFA99R59 GFAF99R59 GF99R59 GFF99R59	4P			4.4	353	298			10	1.80	0.39	3970	3352					30	1.15	GFA99R59 GFAF99R59 GF99R59 GFF99R59	4P	5.0			310			262	11	2.05	0.45	3443	2907	31	1.30	GFA99R59 GFAF99R59 GF99R59 GFF99R59					4P	5.8	268	226	11	2.40	0.51	3023	2553			32			1.50	GFA99R59 GFAF99R59 GF99R59 GFF99R59	4P	6.6	237	200	11			2.70	0.58	2659			2245	33	1.70	GFA99R59 GFAF99R59 GF99R59 GFF99R59	4P			3.5	438	370	5.6	0.95					GFA49R19 GFAF49R19 GF49R19 GFF49R19	4P	0.66			2333	1970	33	1.95	GFA99R59 GFAF99R59 GF99R59 GFF99R59	4P	4.0			384			324	6.1	1.10	0.76	2041	1723	34	2.20	GFA99R59 GFAF99R59 GF99R59 GFF99R59					4P	4.5	341	288	6.6	1.25	0.86	1810	1528			34			2.50	GFA99R59 GFAF99R59 GF99R59 GFF99R59			4P	5.3	295	249	6.9			1.45	0.99	1572			1327	35	2.90	GFA99R59 GFAF99R59 GF99R59 GFF99R59	4P			3.9	396	334	5.9	1.05			1.1	1387	1171			35	3.30			GFA99R59 GFAF99R59 GF99R59 GFF99R59			4P	4.5	348	294					6.4	1.20	0.51	3050	2575	22	1.05	GFA89R59 GFAF89R59 GF89R59	4P			5.2			300	253	6.9	1.40	0.60	2604	2199			24	1.20	GFA89R59 GFAF89R59 GF89R59			4P	6.0	257	217	7.1			1.65	0.68	2286	1930	25			1.40	GFA89R59 GFAF89R59 GF89R59	4P			6.9	225			190	7.3	1.85	0.77	2024					1709	25	1.60	GFA89R59 GFAF89R59 GF89R59	4P	7.4	211	178	7.4			2.00			0.88	1768	1493	26	1.80	GFA89R59 GFAF89R59 GF89R59	4P			7.0	220	186			4.0	0.95	GFF39R19 GFAF39R19 GF39R19 GFF39R19	4P	1.1					1360	1148	27	2.35	GFA89R59 GFAF89R59 GF89R59			4P			7.8	198	167	4.2	1.05	1.3	1196	1010	27					2.65	GFA89R59 GFAF89R59 GF89R59	4P	9.0	172	145	4.5	1.20	1.5	1050			887	28	3.00	GFA89R59 GFAF89R59 GF89R59	4P	10	153	129	4.7	1.40			1.7	924	780	28	3.45	GFA89R59 GFAF89R59 GF89R59	4P	3.0	541	281.71			19	2.70	GFA79 GFAF79 GF79 GFF79	6P	0.85	1829	1544	13	0.85	GFA79R39 GFAF79R39 GF79R39 GFF79R39			4P	3.2	505	262.93	19	2.90	1.0	1604	1354	15			1.00	GFA79R39 GFAF79R39 GF79R39 GFF79R39	4P	3.8	434	225.79	19	3.40	1.1	1421			1200	16	1.10	GFA79R39 GFAF79R39 GF79R39 GFF79R39	4P	3.7	440	228.99	12	1.80			GFA69 GFAF69 GF69 GFF69	6P	1.2	1247	1053	17	1.30	GFA79R39 GFAF79R39 GF79R39 GFF79R39	4P	4.4			375	195.39	12	2.10	1.4	1078	910	17	1.50	GFA79R39 GFAF79R39 GF79R39 GFF79R39			4P	5.0	328	170.85	12	2.40	1.6	959	810	18	1.65	GFA79R39 GFAF79R39 GF79R39 GFF79R39	4P	5.7	285	228.99	12	2.80	1.8	841	710	18	1.90	GFA79R39 GFAF79R39 GF79R39 GFF79R39	4P	6.7	244	195.39	12	3.20	2.1	728	615	18	2.20	GFA79R39 GFAF79R39 GF79R39 GFF79R39	4P	7.7	213	170.85	12	3.70						GFA59 GFAF59 GF59 GFF59	6P	4.3	384	199.70	10	1.50						GFA59 GFAF59 GF59 GFF59	6P	4.6	353	183.60	10	1.65						GFA59 GFAF59 GF59 GFF59	6P	5.4	302	157.09	11	1.95						GFA59 GFAF59 GF59 GFF59	6P	6.2	262	136.16	11	2.20						GFA59 GFAF59 GF59 GFF59	6P	6.7	245	127.27	11	2.40						GFA59 GFAF59 GF59 GFF59	6P	7.7	211	110.01	11	2.80																																																																																																									
16	67	80.65	5.1	3.00			0.18kW							2.6	603	509	12	1.45	GFA69R39 GFAF69R39 GF69R39 GFF69R39	4P	0.10	15291	12912	83	0.80			GFA129R79 GFAF129R79 GF129R79 GFF129R79	4P	3.0			518	437					12			1.70			0.11	13788	11643	86	0.90	GFA69R39 GFAF69R39 GF69R39 GFF69R39	4P	3.4							455	384	12	1.90	0.13	12056	10180	86			1.05			GFA69R39 GFAF69R39 GF69R39 GFF69R39			4P	2.6	592	500			11	1.45	0.15			10448	8822	86					1.20	GFA69R39 GFAF69R39 GF69R39 GFF69R39	4P	2.9	538			454	12	1.60			0.17	9041			7634	86	1.40			GFA69R39 GFAF69R39 GF69R39 GFF69R39			4P	3.3	464	392	12	1.85			0.20					7944	6708	86	1.60	GFA69R39 GFAF69R39 GF69R39 GFF69R39	4P	3.9	394	333							12	2.20	0.15	10123	8548	45			0.80	GFA109R79 GFAF109R79 GF109R79 GFF109R79	4P			4.4			352	297			12	2.50	0.17	9089	7675					46	0.90	GFA109R79 GFAF109R79 GF109R79 GFF109R79					4P	5.0	309	261	12			2.80			0.19	8015	6768	49					1.05	GFA109R79 GFAF109R79 GF109R79 GFF109R79			4P			5.5	282	238	12	3.10	0.22	7051					5954			51	1.15	GFA109R79 GFAF109R79 GF109R79 GFF109R79	4P					6.6	237	200	12			3.65					0.25	6185	5223	53	1.35	GFA109R79 GFAF109R79 GF109R79 GFF109R79	4P			2.3			661	558			8.6	0.95	GFA59R39 GFAF59R39 GF59R39 GFF59R39	4P	0.29					5409	4567	54	1.55	GFA109R79 GFAF109R79 GF109R79 GFF109R79			4P	2.6			599			506	9.1	1.05	0.37	4170	3521	56					2.00			GFA109R79 GFAF109R79 GF109R79 GFF109R79	4P	2.9	535	452			10	1.20	0.43	3597					3037	57			2.30	GFA109R79 GFAF109R79 GF109R79 GFF109R79	4P	3.4	457			386	10			1.40					0.48	3264	2756	58	2.55	GFA109R79 GFAF109R79 GF109R79 GFF109R79	4P					3.9	400	338			10	1.60	0.55	2806			2369			58	2.95	GFA109R79 GFAF109R79 GF109R79 GFF109R79	4P	3.1					505	426	10			1.25	0.63	2449	2068	59					3.40	GFA109R79 GFAF109R79 GF109R79 GFF109R79			4P			3.4			452	382	10	1.40	0.30	5131	4333	27							0.90	GFA99R59 GFAF99R59 GF99R59 GFF99R59	4P	4.0	391	330	10	1.60			0.34			4626			3906	29	1.00	GFA99R59 GFAF99R59 GF99R59 GFF99R59			4P	4.4	353			298	10	1.80					0.39	3970	3352	30	1.15							GFA99R59 GFAF99R59 GF99R59 GFF99R59			4P	5.0	310	262			11			2.05			0.45	3443	2907	31	1.30	GFA99R59 GFAF99R59 GF99R59 GFF99R59	4P	5.8							268	226	11	2.40	0.51	3023	2553	32			1.50			GFA99R59 GFAF99R59 GF99R59 GFF99R59					4P	6.6	237	200			11	2.70	0.58			2659	2245	33					1.70	GFA99R59 GFAF99R59 GF99R59 GFF99R59	4P	3.5	438			370	5.6	0.95			GFA49R19 GFAF49R19 GF49R19 GFF49R19	4P							0.66	2333	1970					33	1.95	GFA99R59 GFAF99R59 GF99R59 GFF99R59	4P	4.0	384	324					6.1			1.10	0.76	2041	1723	34	2.20	GFA99R59 GFAF99R59 GF99R59 GFF99R59			4P	4.5					341	288	6.6	1.25			0.86	1810	1528	34	2.50			GFA99R59 GFAF99R59 GF99R59 GFF99R59					4P	5.3			295	249	6.9	1.45	0.99					1572	1327	35			2.90	GFA99R59 GFAF99R59 GF99R59 GFF99R59	4P	3.9			396			334	5.9	1.05	1.1	1387					1171	35	3.30			GFA99R59 GFAF99R59 GF99R59 GFF99R59	4P			4.5					348	294	6.4	1.20							0.51	3050	2575	22	1.05	GFA89R59 GFAF89R59 GF89R59	4P	5.2	300					253			6.9	1.40	0.60	2604	2199	24	1.20			GFA89R59 GFAF89R59 GF89R59	4P	6.0			257	217	7.1	1.65	0.68			2286	1930	25	1.40	GFA89R59 GFAF89R59 GF89R59			4P	6.9	225			190	7.3			1.85	0.77	2024	1709	25					1.60	GFA89R59 GFAF89R59 GF89R59	4P	7.4	211	178	7.4	2.00	0.88			1768			1493	26	1.80	GFA89R59 GFAF89R59 GF89R59	4P	7.0	220			186	4.0	0.95			GFF39R19 GFAF39R19 GF39R19 GFF39R19	4P	1.1	1360	1148					27	2.35	GFA89R59 GFAF89R59 GF89R59	4P	7.8			198			167	4.2	1.05	1.3	1196	1010	27	2.65	GFA89R59 GFAF89R59 GF89R59					4P	9.0	172	145	4.5	1.20	1.5	1050	887	28			3.00	GFA89R59 GFAF89R59 GF89R59	4P	10	153	129	4.7	1.40	1.7	924			780	28	3.45	GFA89R59 GFAF89R59 GF89R59	4P	3.0	541	281.71	19	2.70			GFA79 GFAF79 GF79 GFF79	6P	0.85	1829	1544	13	0.85	GFA79R39 GFAF79R39 GF79R39 GFF79R39	4P	3.2			505	262.93	19	2.90	1.0	1604	1354	15	1.00	GFA79R39 GFAF79R39 GF79R39 GFF79R39			4P	3.8	434	225.79	19	3.40	1.1	1421	1200	16			1.10	GFA79R39 GFAF79R39 GF79R39 GFF79R39	4P	3.7	440	228.99	12	1.80	GFA69 GFAF69 GF69 GFF69	6P			1.2	1247	1053	17	1.30	GFA79R39 GFAF79R39 GF79R39 GFF79R39	4P	4.4	375	195.39			12	2.10	1.4	1078	910	17	1.50	GFA79R39 GFAF79R39 GF79R39 GFF79R39	4P	5.0			328	170.85	12	2.40	1.6	959	810	18	1.65	GFA79R39 GFAF79R39 GF79R39 GFF79R39	4P	5.7	285	228.99	12	2.80	1.8	841	710	18	1.90	GFA79R39 GFAF79R39 GF79R39 GFF79R39	4P	6.7	244	195.39	12	3.20	2.1	728	615	18	2.20	GFA79R39 GFAF79R39 GF79R39 GFF79R39	4P	7.7	213	170.85	12	3.70						GFA59 GFAF59 GF59 GFF59	6P	4.3	384	199.70	10	1.50						GFA59 GFAF59 GF59 GFF59	6P	4.6	353	183.60	10	1.65						GFA59 GFAF59 GF59 GFF59	6P	5.4	302	157.09	11	1.95						GFA59 GFAF59 GF59 GFF59	6P	6.2	262	136.16	11	2.20						GFA59 GFAF59 GF59 GFF59	6P	6.7	245	127.27	11	2.40						GFA59 GFAF59 GF59 GFF59	6P	7.7	211	110.01
0.18kW							2.6	603	509	12	1.45	GFA69R39 GFAF69R39 GF69R39 GFF69R39	4P																																																																																																																																																																																																																																																																																																																																																																																																																																																																																																																																																																																																																																																																																																																																																																																																																																																																																																																																																																																																									
0.10	15291	12912	83	0.80	GFA129R79 GFAF129R79 GF129R79 GFF129R79	4P	3.0	518	437	12	1.70			0.11	13788	11643	86	0.90			GFA69R39 GFAF69R39 GF69R39 GFF69R39	4P	3.4	455	384					12			1.90	0.13		12056	10180		86			1.05	GFA69R39 GFAF69R39 GF69R39 GFF69R39	4P	2.6	592	500	11	1.45			0.15			10448	8822			86	1.20	GFA69R39 GFAF69R39 GF69R39 GFF69R39	4P	2.9	538	454	12	1.60	0.17	9041							7634	86	1.40	GFA69R39 GFAF69R39 GF69R39 GFF69R39	4P	3.3	464	392			12	1.85	0.20			7944	6708	86			1.60	GFA69R39 GFAF69R39 GF69R39 GFF69R39			4P	3.9	394	333	12	2.20	0.15			10123	8548	45				0.80	GFA109R79 GFAF109R79 GF109R79 GFF109R79		4P	4.4	352	297	12			2.50		0.17	9089		7675	46	0.90	GFA109R79 GFAF109R79 GF109R79 GFF109R79			4P	5.0	309	261	12					2.80	0.19	8015	6768	49	1.05	GFA109R79 GFAF109R79 GF109R79 GFF109R79	4P	5.5					282			238	12	3.10	0.22	7051	5954	51	1.15	GFA109R79 GFAF109R79 GF109R79 GFF109R79	4P	6.6			237	200		12	3.65				0.25	6185	5223	53			1.35	GFA109R79 GFAF109R79 GF109R79 GFF109R79	4P	2.3	661	558	8.6					0.95		GFA59R39 GFAF59R39 GF59R39 GFF59R39	4P				0.29	5409	4567	54	1.55	GFA109R79 GFAF109R79 GF109R79 GFF109R79	4P	2.6	599			506			9.1	1.05				0.37	4170		3521	56	2.00	GFA109R79 GFAF109R79 GF109R79 GFF109R79			4P			2.9	535	452	10	1.20	0.43	3597					3037	57	2.30	GFA109R79 GFAF109R79 GF109R79 GFF109R79	4P			3.4	457			386		10	1.40		0.48	3264	2756	58					2.55	GFA109R79 GFAF109R79 GF109R79 GFF109R79	4P	3.9			400	338	10	1.60	0.55	2806	2369	58	2.95			GFA109R79 GFAF109R79 GF109R79 GFF109R79					4P	3.1	505	426	10	1.25	0.63	2449	2068					59	3.40	GFA109R79 GFAF109R79 GF109R79 GFF109R79	4P	3.4			452	382	10	1.40	0.30	5131			4333	27	0.90			GFA99R59 GFAF99R59 GF99R59 GFF99R59	4P	4.0	391	330				10	1.60		0.34	4626	3906			29	1.00	GFA99R59 GFAF99R59 GF99R59 GFF99R59	4P	4.4	353	298			10	1.80			0.39			3970	3352	30	1.15	GFA99R59 GFAF99R59 GF99R59 GFF99R59			4P	5.0	310	262	11	2.05	0.45			3443							2907	31	1.30	GFA99R59 GFAF99R59 GF99R59 GFF99R59	4P	5.8	268	226	11	2.40	0.51			3023	2553			32			1.50	GFA99R59 GFAF99R59 GF99R59 GFF99R59	4P	6.6	237	200	11	2.70			0.58			2659	2245	33		1.70	GFA99R59 GFAF99R59 GF99R59 GFF99R59		4P	3.5			438	370	5.6			0.95	GFA49R19 GFAF49R19 GF49R19 GFF49R19	4P	0.66	2333	1970	33	1.95	GFA99R59 GFAF99R59 GF99R59 GFF99R59						4P	4.0		384	324	6.1			1.10			0.76	2041	1723	34	2.20	GFA99R59 GFAF99R59 GF99R59 GFF99R59	4P	4.5			341			288	6.6			1.25	0.86	1810	1528	34	2.50	GFA99R59 GFAF99R59 GF99R59 GFF99R59	4P	5.3	295	249					6.9	1.45			0.99	1572	1327	35	2.90	GFA99R59 GFAF99R59 GF99R59 GFF99R59	4P	3.9			396	334	5.9			1.05	1.1	1387			1171	35			3.30	GFA99R59 GFAF99R59 GF99R59 GFF99R59	4P	4.5	348						294	6.4		1.20	0.51	3050		2575	22		1.05	GFA89R59 GFAF89R59 GF89R59			4P	5.2	300			253	6.9	1.40			0.60	2604	2199	24	1.20	GFA89R59 GFAF89R59 GF89R59		4P	6.0		257					217	7.1	1.65	0.68	2286	1930	25	1.40	GFA89R59 GFAF89R59 GF89R59	4P	6.9						225	190		7.3			1.85	0.77	2024	1709	25		1.60	GFA89R59 GFAF89R59 GF89R59		4P	7.4	211			178			7.4	2.00	0.88	1768			1493	26	1.80	GFA89R59 GFAF89R59 GF89R59	4P			7.0	220	186	4.0	0.95							GFF39R19 GFAF39R19 GF39R19 GFF39R19	4P	1.1			1360	1148	27	2.35					GFA89R59 GFAF89R59 GF89R59	4P	7.8	198	167	4.2	1.05			1.3	1196		1010	27		2.65			GFA89R59 GFAF89R59 GF89R59	4P	9.0	172	145	4.5	1.20					1.5			1050	887	28	3.00	GFA89R59 GFAF89R59 GF89R59			4P	10	153	129					4.7	1.40			1.7	924			780	28	3.45	GFA89R59 GFAF89R59 GF89R59	4P					3.0			541	281.71	19	2.70	GFA79 GFAF79 GF79 GFF79	6P			0.85			1829	1544	13			0.85	GFA79R39 GFAF79R39 GF79R39 GFF79R39			4P	3.2	505					262.93	19	2.90					1.0	1604			1354			15			1.00	GFA79R39 GFAF79R39 GF79R39 GFF79R39	4P	3.8	434	225.79	19	3.40							1.1	1421	1200	16	1.10	GFA79R39 GFAF79R39 GF79R39 GFF79R39	4P	3.7	440			228.99			12	1.80	GFA69 GFAF69 GF69 GFF69	6P	1.2	1247	1053			17	1.30	GFA79R39 GFAF79R39 GF79R39 GFF79R39			4P	4.4	375	195.39	12					2.10	1.4	1078	910	17			1.50			GFA79R39 GFAF79R39 GF79R39 GFF79R39	4P	5.0	328	170.85	12	2.40	1.6	959					810	18	1.65	GFA79R39 GFAF79R39 GF79R39 GFF79R39	4P	5.7	285	228.99	12			2.80			1.8	841	710	18	1.90					GFA79R39 GFAF79R39 GF79R39 GFF79R39	4P	6.7	244	195.39			12	3.20	2.1			728	615	18	2.20	GFA79R39 GFAF79R39 GF79R39 GFF79R39	4P	7.7			213			170.85	12	3.70						GFA59 GFAF59 GF59 GFF59			6P	4.3	384	199.70	10	1.50								GFA59 GFAF59 GF59 GFF59	6P	4.6	353	183.60	10	1.65								GFA59 GFAF59 GF59 GFF59	6P	5.4	302	157.09	11	1.95								GFA59 GFAF59 GF59 GFF59	6P	6.2	262	136.16			11	2.20						GFA59 GFAF59 GF59 GFF59	6P	6.7			245	127.27	11	2.40						GFA59 GFAF59 GF59 GFF59			6P	7.7	211	110.01	11	2.80																					
0.11	13788	11643	86	0.90			GFA69R39 GFAF69R39 GF69R39 GFF69R39	4P	3.4	455	384			12	1.90	0.13	12056	10180					86	1.05	GFA69R39 GFAF69R39 GF69R39 GFF69R39					4P	2.6	592	500	11		1.45	0.15		10448	8822	86	1.20			GFA69R39 GFAF69R39 GF69R39 GFF69R39	4P	2.9	538	454			12		1.60	0.17	9041	7634		86	1.40			GFA69R39 GFAF69R39 GF69R39 GFF69R39	4P	3.3	464	392	12	1.85	0.20	7944					6708	86	1.60			GFA69R39 GFAF69R39 GF69R39 GFF69R39	4P	3.9	394	333	12	2.20	0.15			10123	8548	45			0.80		GFA109R79 GFAF109R79 GF109R79 GFF109R79	4P		4.4	352	297	12	2.50	0.17			9089	7675	46	0.90	GFA109R79 GFAF109R79 GF109R79 GFF109R79		4P				5.0	309	261	12			2.80	0.19	8015	6768	49	1.05	GFA109R79 GFAF109R79 GF109R79 GFF109R79	4P					5.5	282	238	12		3.10	0.22		7051	5954	51	1.15	GFA109R79 GFAF109R79 GF109R79 GFF109R79	4P			6.6			237	200	12			3.65	0.25	6185	5223	53	1.35	GFA109R79 GFAF109R79 GF109R79 GFF109R79	4P			2.3	661	558	8.6	0.95		GFA59R39 GFAF59R39 GF59R39 GFF59R39	4P				0.29	5409	4567	54	1.55	GFA109R79 GFAF109R79 GF109R79 GFF109R79	4P			2.6	599	506	9.1	1.05	0.37			4170					3521	56	2.00	GFA109R79 GFAF109R79 GF109R79 GFF109R79	4P	2.9	535			452	10			1.20	0.43	3597	3037	57				2.30	GFA109R79 GFAF109R79 GF109R79 GFF109R79		4P	3.4	457		386	10				1.40	0.48	3264	2756	58	2.55	GFA109R79 GFAF109R79 GF109R79 GFF109R79			4P	3.9	400	338	10					1.60	0.55			2806	2369	58	2.95	GFA109R79 GFAF109R79 GF109R79 GFF109R79	4P	3.1	505	426					10			1.25	0.63	2449	2068	59	3.40	GFA109R79 GFAF109R79 GF109R79 GFF109R79	4P	3.4	452	382	10				1.40	0.30				5131	4333	27	0.90	GFA99R59 GFAF99R59 GF99R59 GFF99R59	4P	4.0	391		330	10		1.60	0.34			4626			3906	29	1.00	GFA99R59 GFAF99R59 GF99R59 GFF99R59	4P	4.4	353	298	10	1.80	0.39					3970	3352	30			1.15	GFA99R59 GFAF99R59 GF99R59 GFF99R59	4P	5.0	310	262	11			2.05	0.45			3443	2907	31	1.30	GFA99R59 GFAF99R59 GF99R59 GFF99R59	4P	5.8			268			226	11	2.40	0.51		3023	2553		32	1.50	GFA99R59 GFAF99R59 GF99R59 GFF99R59	4P	6.6	237	200	11	2.70					0.58	2659	2245	33	1.70			GFA99R59 GFAF99R59 GF99R59 GFF99R59	4P	3.5	438	370	5.6		0.95	GFA49R19 GFAF49R19 GF49R19 GFF49R19	4P	0.66		2333			1970			33	1.95	GFA99R59 GFAF99R59 GF99R59 GFF99R59	4P	4.0	384	324	6.1			1.10	0.76	2041		1723				34	2.20	GFA99R59 GFAF99R59 GF99R59 GFF99R59	4P	4.5	341			288			6.6	1.25	0.86	1810	1528		34	2.50					GFA99R59 GFAF99R59 GF99R59 GFF99R59		4P	5.3	295			249	6.9	1.45	0.99	1572	1327	35	2.90			GFA99R59 GFAF99R59 GF99R59 GFF99R59			4P		3.9	396	334	5.9		1.05	1.1	1387	1171	35	3.30			GFA99R59 GFAF99R59 GF99R59 GFF99R59	4P	4.5	348	294			6.4	1.20			0.51	3050	2575	22	1.05			GFA89R59 GFAF89R59 GF89R59	4P	5.2	300	253	6.9			1.40	0.60	2604			2199	24	1.20	GFA89R59 GFAF89R59 GF89R59	4P			6.0	257			217	7.1		1.65	0.68		2286	1930	25	1.40	GFA89R59 GFAF89R59 GF89R59	4P	6.9	225					190	7.3			1.85	0.77	2024	1709	25	1.60	GFA89R59 GFAF89R59 GF89R59	4P	7.4	211				178		7.4		2.00	0.88		1768	1493	26	1.80	GFA89R59 GFAF89R59 GF89R59	4P	7.0	220			186	4.0	0.95				GFF39R19 GFAF39R19 GF39R19 GFF39R19	4P		1.1	1360	1148	27	2.35	GFA89R59 GFAF89R59 GF89R59	4P	7.8	198	167		4.2		1.05	1.3			1196			1010	27	2.65	GFA89R59 GFAF89R59 GF89R59	4P	9.0	172	145	4.5					1.20	1.5	1050	887	28	3.00	GFA89R59 GFAF89R59 GF89R59							4P	10	153	129	4.7	1.40	1.7		924	780				28	3.45	GFA89R59 GFAF89R59 GF89R59	4P	3.0			541	281.71	19	2.70	GFA79 GFAF79 GF79 GFF79	6P	0.85					1829	1544	13	0.85	GFA79R39 GFAF79R39 GF79R39 GFF79R39	4P	3.2			505			262.93	19	2.90	1.0		1604	1354		15	1.00	GFA79R39 GFAF79R39 GF79R39 GFF79R39					4P	3.8	434	225.79	19	3.40			1.1	1421	1200				16	1.10		GFA79R39 GFAF79R39 GF79R39 GFF79R39			4P	3.7	440	228.99			12	1.80	GFA69 GFAF69 GF69 GFF69			6P	1.2	1247			1053		17	1.30		GFA79R39 GFAF79R39 GF79R39 GFF79R39	4P					4.4	375	195.39	12	2.10			1.4	1078			910			17	1.50	GFA79R39 GFAF79R39 GF79R39 GFF79R39	4P			5.0	328	170.85	12	2.40			1.6	959			810	18	1.65	GFA79R39 GFAF79R39 GF79R39 GFF79R39	4P			5.7	285			228.99			12	2.80			1.8	841	710			18	1.90					GFA79R39 GFAF79R39 GF79R39 GFF79R39	4P	6.7	244					195.39	12	3.20	2.1	728			615					18	2.20	GFA79R39 GFAF79R39 GF79R39 GFF79R39	4P	7.7	213	170.85					12	3.70										GFA59 GFAF59 GF59 GFF59			6P	4.3	384	199.70	10							1.50										GFA59 GFAF59 GF59 GFF59	6P	4.6	353			183.60			10			1.65						GFA59 GFAF59 GF59 GFF59	6P					5.4	302	157.09	11	1.95										GFA59 GFAF59 GF59 GFF59	6P	6.2	262	136.16	11	2.20										GFA59 GFAF59 GF59 GFF59	6P	6.7			245	127.27	11	2.40										GFA59 GFAF59 GF59 GFF59	6P	7.7	211	110.01	11			2.80																																									
0.13	12056	10180	86	1.05					GFA69R39 GFAF69R39 GF69R39 GFF69R39	4P	2.6			592	500	11	1.45	0.15					10448	8822		86	1.20				GFA69R39 GFAF69R39 GF69R39 GFF69R39	4P	2.9	538	454	12	1.60	0.17	9041	7634	86	1.40					GFA69R39 GFAF69R39 GF69R39 GFF69R39	4P	3.3			464	392	12	1.85	0.20	7944	6708	86	1.60					GFA69R39 GFAF69R39 GF69R39 GFF69R39	4P	3.9	394	333	12	2.20		0.15	10123		8548	45	0.80					GFA109R79 GFAF109R79 GF109R79 GFF109R79	4P	4.4	352	297	12	2.50	0.17	9089	7675	46			0.90					GFA109R79 GFAF109R79 GF109R79 GFF109R79	4P	5.0	309	261	12	2.80	0.19	8015	6768	49	1.05							GFA109R79 GFAF109R79 GF109R79 GFF109R79	4P	5.5	282	238	12	3.10	0.22	7051	5954	51	1.15							GFA109R79 GFAF109R79 GF109R79 GFF109R79	4P	6.6	237	200	12	3.65	0.25	6185	5223	53	1.35					GFA109R79 GFAF109R79 GF109R79 GFF109R79			4P	2.3	661	558	8.6	0.95	GFA59R39 GFAF59R39 GF59R39 GFF59R39	4P	0.29	5409	4567					54	1.55	GFA109R79 GFAF109R79 GF109R79 GFF109R79	4P	2.6				599	506		9.1	1.05	0.37	4170	3521					56	2.00	GFA109R79 GFAF109R79 GF109R79 GFF109R79	4P	2.9	535	452	10	1.20					0.43	3597	3037			57	2.30			GFA109R79 GFAF109R79 GF109R79 GFF109R79	4P	3.4	457	386	10	1.40	0.48	3264			2756	58		2.55		GFA109R79 GFAF109R79 GF109R79 GFF109R79	4P		3.9	400		338	10	1.60	0.55	2806	2369	58	2.95					GFA109R79 GFAF109R79 GF109R79 GFF109R79	4P	3.1	505			426	10	1.25	0.63			2449	2068	59	3.40			GFA109R79 GFAF109R79 GF109R79 GFF109R79	4P	3.4		452	382		10			1.40	0.30	5131	4333	27	0.90			GFA99R59 GFAF99R59 GF99R59 GFF99R59	4P	4.0	391	330	10		1.60	0.34				4626	3906	29	1.00			GFA99R59 GFAF99R59 GF99R59 GFF99R59	4P	4.4	353	298	10	1.80	0.39			3970			3352	30	1.15			GFA99R59 GFAF99R59 GF99R59 GFF99R59	4P	5.0	310	262	11	2.05	0.45			3443	2907	31			1.30			GFA99R59 GFAF99R59 GF99R59 GFF99R59	4P	5.8	268	226	11	2.40	0.51			3023	2553	32	1.50			GFA99R59 GFAF99R59 GF99R59 GFF99R59			4P	6.6	237	200	11	2.70	0.58		2659	2245		33	1.70			GFA99R59 GFAF99R59 GF99R59 GFF99R59	4P	3.5	438	370		5.6	0.95		GFA49R19 GFAF49R19 GF49R19 GFF49R19	4P	0.66	2333	1970					33	1.95	GFA99R59 GFAF99R59 GF99R59 GFF99R59	4P	4.0	384			324	6.1	1.10			0.76			2041	1723			34	2.20	GFA99R59 GFAF99R59 GF99R59 GFF99R59	4P	4.5	341	288	6.6	1.25		0.86				1810	1528			34	2.50	GFA99R59 GFAF99R59 GF99R59 GFF99R59	4P	5.3			295	249	6.9	1.45	0.99		1572	1327	35	2.90						GFA99R59 GFAF99R59 GF99R59 GFF99R59	4P	3.9	396	334	5.9	1.05	1.1	1387	1171	35	3.30							GFA99R59 GFAF99R59 GF99R59 GFF99R59	4P	4.5	348	294	6.4	1.20	0.51	3050	2575	22	1.05					GFA89R59 GFAF89R59 GF89R59	4P	5.2		300	253	6.9	1.40		0.60	2604	2199	24	1.20					GFA89R59 GFAF89R59 GF89R59	4P	6.0	257	217	7.1	1.65	0.68	2286			1930	25	1.40					GFA89R59 GFAF89R59 GF89R59	4P			6.9	225	190	7.3	1.85	0.77	2024	1709	25	1.60			GFA89R59 GFAF89R59 GF89R59	4P					7.4	211	178	7.4	2.00	0.88	1768	1493	26	1.80			GFA89R59 GFAF89R59 GF89R59	4P				7.0		220	186	4.0	0.95	GFF39R19 GFAF39R19 GF39R19 GFF39R19	4P	1.1	1360	1148			27	2.35			GFA89R59 GFAF89R59 GF89R59	4P	7.8		198	167				4.2	1.05	1.3	1196	1010			27	2.65	GFA89R59 GFAF89R59 GF89R59		4P		9.0	172	145	4.5	1.20			1.5	1050	887			28	3.00	GFA89R59 GFAF89R59 GF89R59	4P			10	153	129	4.7	1.40	1.7	924	780				28	3.45				GFA89R59 GFAF89R59 GF89R59	4P	3.0	541	281.71	19	2.70	GFA79 GFAF79 GF79 GFF79	6P	0.85			1829	1544			13			0.85	GFA79R39 GFAF79R39 GF79R39 GFF79R39	4P	3.2			505	262.93	19			2.90	1.0	1604	1354			15			1.00	GFA79R39 GFAF79R39 GF79R39 GFF79R39	4P	3.8	434	225.79	19		3.40	1.1		1421	1200			16	1.10			GFA79R39 GFAF79R39 GF79R39 GFF79R39	4P	3.7	440	228.99	12	1.80	GFA69 GFAF69 GF69 GFF69	6P	1.2			1247	1053	17	1.30					GFA79R39 GFAF79R39 GF79R39 GFF79R39	4P	4.4			375	195.39		12	2.10		1.4	1078			910		17	1.50				GFA79R39 GFAF79R39 GF79R39 GFF79R39	4P			5.0	328	170.85	12	2.40	1.6	959	810	18			1.65	GFA79R39 GFAF79R39 GF79R39 GFF79R39	4P	5.7	285					228.99	12	2.80	1.8	841		710	18	1.90	GFA79R39 GFAF79R39 GF79R39 GFF79R39		4P	6.7	244					195.39	12	3.20	2.1	728			615	18			2.20	GFA79R39 GFAF79R39 GF79R39 GFF79R39	4P	7.7	213	170.85	12							3.70								GFA59 GFAF59 GF59 GFF59	6P	4.3			384	199.70	10			1.50									GFA59 GFAF59 GF59 GFF59		6P	4.6	353			183.60	10	1.65										GFA59 GFAF59 GF59 GFF59	6P			5.4	302			157.09	11	1.95										GFA59 GFAF59 GF59 GFF59	6P			6.2			262	136.16	11	2.20												GFA59 GFAF59 GF59 GFF59	6P	6.7	245	127.27	11	2.40												GFA59 GFAF59 GF59 GFF59	6P	7.7			211	110.01	11			2.80																																																																					
0.15	10448	8822	86	1.20							GFA69R39 GFAF69R39 GF69R39 GFF69R39			4P	2.9	538	454	12	1.60	0.17			9041	7634		86	1.40	GFA69R39 GFAF69R39 GF69R39 GFF69R39	4P				3.3	464	392	12	1.85	0.20	7944	6708	86	1.60							GFA69R39 GFAF69R39 GF69R39 GFF69R39	4P	3.9	394	333	12	2.20	0.15	10123	8548	45	0.80							GFA109R79 GFAF109R79 GF109R79 GFF109R79	4P	4.4	352	297	12	2.50	0.17	9089	7675	46	0.90							GFA109R79 GFAF109R79 GF109R79 GFF109R79	4P	5.0	309	261	12	2.80	0.19	8015	6768	49	1.05							GFA109R79 GFAF109R79 GF109R79 GFF109R79	4P	5.5	282	238	12	3.10	0.22	7051	5954		51			1.15				GFA109R79 GFAF109R79 GF109R79 GFF109R79	4P	6.6	237	200	12	3.65	0.25	6185	5223				53	1.35				GFA109R79 GFAF109R79 GF109R79 GFF109R79	4P	2.3	661	558	8.6	0.95	GFA59R39 GFAF59R39 GF59R39 GFF59R39	4P	0.29						5409	4567		54	1.55	GFA109R79 GFAF109R79 GF109R79 GFF109R79	4P	2.6			599	506	9.1					1.05	0.37			4170	3521			56	2.00	GFA109R79 GFAF109R79 GF109R79 GFF109R79	4P	2.9	535	452	10					1.20	0.43			3597	3037	57	2.30	GFA109R79 GFAF109R79 GF109R79 GFF109R79	4P			3.4	457	386	10			1.40	0.48					3264	2756	58	2.55	GFA109R79 GFAF109R79 GF109R79 GFF109R79	4P	3.9	400	338	10	1.60		0.55					2806	2369		58	2.95	GFA109R79 GFAF109R79 GF109R79 GFF109R79	4P	3.1	505	426	10		1.25	0.63				2449	2068			59	3.40	GFA109R79 GFAF109R79 GF109R79 GFF109R79	4P	3.4	452	382	10	1.40	0.30					5131	4333	27	0.90	GFA99R59 GFAF99R59 GF99R59 GFF99R59	4P			4.0	391	330	10	1.60	0.34					4626	3906	29	1.00		GFA99R59 GFAF99R59 GF99R59 GFF99R59	4P	4.4	353		298	10	1.80	0.39					3970	3352	30	1.15	GFA99R59 GFAF99R59 GF99R59 GFF99R59	4P			5.0	310	262	11	2.05	0.45					3443	2907	31	1.30	GFA99R59 GFAF99R59 GF99R59 GFF99R59	4P			5.8	268	226	11	2.40	0.51					3023	2553	32	1.50	GFA99R59 GFAF99R59 GF99R59 GFF99R59	4P			6.6	237	200	11				2.70	0.58		2659	2245	33	1.70	GFA99R59 GFAF99R59 GF99R59 GFF99R59	4P		3.5	438		370	5.6					0.95	GFA49R19 GFAF49R19 GF49R19 GFF49R19	4P	0.66	2333	1970	33			1.95	GFA99R59 GFAF99R59 GF99R59 GFF99R59	4P					4.0	384			324	6.1			1.10	0.76	2041	1723	34	2.20			GFA99R59 GFAF99R59 GF99R59 GFF99R59	4P			4.5	341			288	6.6	1.25	0.86	1810	1528	34		2.50		GFA99R59 GFAF99R59 GF99R59 GFF99R59	4P			5.3	295			249			6.9	1.45	0.99	1572	1327		35	2.90	GFA99R59 GFAF99R59 GF99R59 GFF99R59	4P	3.9			396				334	5.9	1.05	1.1	1387	1171	35	3.30	GFA99R59 GFAF99R59 GF99R59 GFF99R59	4P				4.5	348				294	6.4	1.20	0.51	3050	2575	22	1.05	GFA89R59 GFAF89R59 GF89R59	4P							5.2	300	253	6.9	1.40	0.60	2604	2199	24	1.20	GFA89R59 GFAF89R59 GF89R59	4P							6.0	257	217	7.1	1.65	0.68	2286	1930	25	1.40	GFA89R59 GFAF89R59 GF89R59	4P							6.9	225	190	7.3	1.85	0.77	2024	1709	25	1.60	GFA89R59 GFAF89R59 GF89R59	4P						7.4	211		178	7.4	2.00	0.88	1768	1493	26	1.80	GFA89R59 GFAF89R59 GF89R59	4P						7.0		220	186	4.0	0.95	GFF39R19 GFAF39R19 GF39R19 GFF39R19	4P			1.1	1360	1148			27	2.35					GFA89R59 GFAF89R59 GF89R59	4P	7.8	198			167	4.2	1.05	1.3	1196	1010			27	2.65					GFA89R59 GFAF89R59 GF89R59	4P	9.0	172	145	4.5	1.20	1.5	1050	887			28	3.00					GFA89R59 GFAF89R59 GF89R59	4P	10	153	129	4.7	1.40	1.7		924	780	28	3.45						GFA89R59 GFAF89R59 GF89R59	4P	3.0	541	281.71			19			2.70	GFA79 GFAF79 GF79 GFF79			6P	0.85	1829	1544			13			0.85	GFA79R39 GFAF79R39 GF79R39 GFF79R39	4P			3.2	505	262.93	19			2.90	1.0	1604	1354			15	1.00	GFA79R39 GFAF79R39 GF79R39 GFF79R39	4P		3.8	434		225.79	19		3.40	1.1	1421	1200				16	1.10	GFA79R39 GFAF79R39 GF79R39 GFF79R39	4P	3.7			440			228.99	12	1.80	GFA69 GFAF69 GF69 GFF69		6P	1.2				1247			1053	17		1.30	GFA79R39 GFAF79R39 GF79R39 GFF79R39		4P	4.4	375	195.39	12		2.10	1.4						1078	910	17	1.50	GFA79R39 GFAF79R39 GF79R39 GFF79R39	4P	5.0	328	170.85	12	2.40	1.6	959	810			18	1.65					GFA79R39 GFAF79R39 GF79R39 GFF79R39	4P	5.7	285	228.99	12	2.80	1.8	841		710		18	1.90					GFA79R39 GFAF79R39 GF79R39 GFF79R39	4P	6.7	244	195.39	12	3.20	2.1	728			615			18	2.20	GFA79R39 GFAF79R39 GF79R39 GFF79R39	4P		7.7	213				170.85	12	3.70								GFA59 GFAF59 GF59 GFF59	6P	4.3	384	199.70	10			1.50								GFA59 GFAF59 GF59 GFF59		6P		4.6	353			183.60	10	1.65								GFA59 GFAF59 GF59 GFF59	6P			5.4	302	157.09	11			1.95						GFA59 GFAF59 GF59 GFF59	6P	6.2	262							136.16	11	2.20						GFA59 GFAF59 GF59 GFF59	6P	6.7	245				127.27	11				2.40						GFA59 GFAF59 GF59 GFF59	6P	7.7	211					110.01	11			2.80																																																																													
0.17	9041	7634	86	1.40								GFA69R39 GFAF69R39 GF69R39 GFF69R39	4P		3.3	464	392	12	1.85	0.20			7944	6708		86	1.60						GFA69R39 GFAF69R39 GF69R39 GFF69R39	4P	3.9	394	333	12	2.20	0.15	10123	8548									45	0.80	GFA109R79 GFAF109R79 GF109R79 GFF109R79	4P	4.4	352	297	12	2.50	0.17									9089	7675	46	0.90	GFA109R79 GFAF109R79 GF109R79 GFF109R79	4P	5.0	309	261	12									2.80	0.19	8015	6768	49	1.05	GFA109R79 GFAF109R79 GF109R79 GFF109R79	4P	5.5	282									238	12	3.10	0.22	7051	5954	51	1.15		GFA109R79 GFAF109R79 GF109R79 GFF109R79			4P						6.6	237	200	12	3.65	0.25	6185	5223				53	1.35						GFA109R79 GFAF109R79 GF109R79 GFF109R79	4P	2.3	661	558			8.6						0.95	GFA59R39 GFAF59R39 GF59R39 GFF59R39		4P	0.29			5409			4567	54	1.55					GFA109R79 GFAF109R79 GF109R79 GFF109R79	4P			2.6	599			506	9.1			1.05	0.37	4170	3521					56	2.00			GFA109R79 GFAF109R79 GF109R79 GFF109R79	4P	2.9	535					452	10	1.20	0.43			3597	3037					57	2.30	GFA109R79 GFAF109R79 GF109R79 GFF109R79	4P			3.4	457	386	10	1.40		0.48					3264	2756		58	2.55			GFA109R79 GFAF109R79 GF109R79 GFF109R79	4P	3.9	400		338	10				1.60	0.55			2806	2369			58	2.95	GFA109R79 GFAF109R79 GF109R79 GFF109R79	4P	3.1	505					426	10	1.25	0.63					2449	2068	59	3.40	GFA109R79 GFAF109R79 GF109R79 GFF109R79	4P					3.4	452	382	10				1.40	0.30		5131	4333	27	0.90					GFA99R59 GFAF99R59 GF99R59 GFF99R59	4P	4.0	391					330	10	1.60	0.34	4626	3906					29	1.00	GFA99R59 GFAF99R59 GF99R59 GFF99R59	4P					4.4	353	298	10	1.80	0.39					3970	3352	30	1.15					GFA99R59 GFAF99R59 GF99R59 GFF99R59	4P	5.0	310				262	11		2.05	0.45	3443	2907				31	1.30		GFA99R59 GFAF99R59 GF99R59 GFF99R59	4P					5.8			268	226	11	2.40			0.51							3023	2553			32	1.50			GFA99R59 GFAF99R59 GF99R59 GFF99R59	4P	6.6	237	200	11							2.70	0.58			2659	2245	33	1.70	GFA99R59 GFAF99R59 GF99R59 GFF99R59	4P	3.5		438						370	5.6			0.95			GFA49R19 GFAF49R19 GF49R19 GFF49R19	4P	0.66	2333	1970		33	1.95			GFA99R59 GFAF99R59 GF99R59 GFF99R59			4P				4.0	384	324	6.1	1.10	0.76	2041	1723						34	2.20				GFA99R59 GFAF99R59 GF99R59 GFF99R59	4P	4.5	341	288	6.6	1.25	0.86									1810	1528	34	2.50	GFA99R59 GFAF99R59 GF99R59 GFF99R59	4P	5.3	295	249	6.9									1.45	0.99	1572	1327	35	2.90	GFA99R59 GFAF99R59 GF99R59 GFF99R59	4P	3.9	396									334	5.9	1.05	1.1	1387	1171	35	3.30	GFA99R59 GFAF99R59 GF99R59 GFF99R59	4P								4.5	348		294	6.4	1.20	0.51	3050	2575	22	1.05								GFA89R59 GFAF89R59 GF89R59		4P	5.2	300	253					6.9	1.40	0.60			2604	2199							24	1.20			GFA89R59 GFAF89R59 GF89R59	4P	6.0	257	217	7.1			1.65	0.68							2286	1930	25	1.40	GFA89R59 GFAF89R59 GF89R59	4P	6.9	225			190	7.3							1.85	0.77	2024	1709	25	1.60		GFA89R59 GFAF89R59 GF89R59	4P	7.4	211								178	7.4	2.00			0.88			1768					1493	26	1.80			GFA89R59 GFAF89R59 GF89R59			4P					7.0	220	186	4.0			0.95	GFF39R19 GFAF39R19 GF39R19 GFF39R19	4P	1.1			1360	1148				27	2.35		GFA89R59 GFAF89R59 GF89R59	4P		7.8	198	167	4.2				1.05	1.3			1196			1010			27	2.65	GFA89R59 GFAF89R59 GF89R59				4P				9.0			172	145		4.5				1.20	1.5	1050	887		28	3.00						GFA89R59 GFAF89R59 GF89R59	4P	10	153			129	4.7	1.40	1.7	924	780	28	3.45			GFA89R59 GFAF89R59 GF89R59	4P							3.0	541	281.71	19	2.70	GFA79 GFAF79 GF79 GFF79	6P		0.85		1829	1544							13	0.85	GFA79R39 GFAF79R39 GF79R39 GFF79R39	4P	3.2	505	262.93			19			2.90	1.0				1604	1354				15	1.00	GFA79R39 GFAF79R39 GF79R39 GFF79R39	4P	3.8	434	225.79	19					3.40	1.1	1421	1200			16	1.10			GFA79R39 GFAF79R39 GF79R39 GFF79R39	4P	3.7	440					228.99	12			1.80	GFA69 GFAF69 GF69 GFF69	6P	1.2	1247	1053		17	1.30						GFA79R39 GFAF79R39 GF79R39 GFF79R39	4P	4.4	375			195.39	12	2.10	1.4	1078	910			17	1.50							GFA79R39 GFAF79R39 GF79R39 GFF79R39	4P	5.0	328	170.85	12	2.40	1.6			959	810				18	1.65				GFA79R39 GFAF79R39 GF79R39 GFF79R39	4P	5.7	285	228.99	12			2.80	1.8					841	710			18	1.90	GFA79R39 GFAF79R39 GF79R39 GFF79R39	4P	6.7	244			195.39	12			3.20	2.1	728	615	18	2.20	GFA79R39 GFAF79R39 GF79R39 GFF79R39	4P			7.7	213	170.85	12	3.70										GFA59 GFAF59 GF59 GFF59	6P	4.3	384	199.70	10	1.50							GFA59 GFAF59 GF59 GFF59	6P		4.6	353	183.60	10	1.65						GFA59 GFAF59 GF59 GFF59	6P	5.4	302	157.09	11	1.95						GFA59 GFAF59 GF59 GFF59	6P	6.2	262
0.20	7944	6708	86	1.60	GFA69R39 GFAF69R39 GF69R39 GFF69R39	4P									3.9	394	333	12	2.20	0.15	10123	8548	45	0.80		GFA109R79 GFAF109R79 GF109R79 GFF109R79	4P								4.4	352	297	12	2.50	0.17	9089	7675	46	0.90							GFA109R79 GFAF109R79 GF109R79 GFF109R79	4P			5.0	309	261	12	2.80	0.19	8015	6768							49	1.05	GFA109R79 GFAF109R79 GF109R79 GFF109R79	4P			5.5	282	238	12	3.10	0.22							7051	5954	51	1.15	GFA109R79 GFAF109R79 GF109R79 GFF109R79	4P			6.6	237	200			12					3.65	0.25	6185	5223	53	1.35	GFA109R79 GFAF109R79 GF109R79 GFF109R79	4P				2.3		661					558	8.6	0.95	GFA59R39 GFAF59R39 GF59R39 GFF59R39	4P	0.29	5409	4567			54	1.55	GFA109R79 GFAF109R79 GF109R79 GFF109R79	4P							2.6	599	506			9.1			1.05	0.37		4170				3521			56			2.00	GFA109R79 GFAF109R79 GF109R79 GFF109R79	4P			2.9	535					452	10			1.20	0.43			3597	3037	57	2.30			GFA109R79 GFAF109R79 GF109R79 GFF109R79	4P	3.4	457					386	10			1.40	0.48	3264	2756	58	2.55			GFA109R79 GFAF109R79 GF109R79 GFF109R79	4P	3.9	400			338	10					1.60	0.55	2806	2369	58		2.95				GFA109R79 GFAF109R79 GF109R79 GFF109R79	4P	3.1	505	426	10					1.25	0.63		2449	2068				59	3.40	GFA109R79 GFAF109R79 GF109R79 GFF109R79	4P	3.4	452			382	10			1.40	0.30					5131	4333	27	0.90			GFA99R59 GFAF99R59 GF99R59 GFF99R59	4P	4.0	391	330	10							1.60	0.34	4626	3906	29			1.00	GFA99R59 GFAF99R59 GF99R59 GFF99R59	4P	4.4	353	298	10							1.80	0.39			3970	3352	30	1.15	GFA99R59 GFAF99R59 GF99R59 GFF99R59	4P	5.0	310					262	11					2.05	0.45	3443	2907	31	1.30	GFA99R59 GFAF99R59 GF99R59 GFF99R59	4P					5.8	268	226	11			2.40	0.51			3023	2553				32	1.50		GFA99R59 GFAF99R59 GF99R59 GFF99R59	4P	6.6	237			200	11	2.70	0.58							2659			2245	33	1.70	GFA99R59 GFAF99R59 GF99R59 GFF99R59			4P			3.5	438			370	5.6			0.95	GFA49R19 GFAF49R19 GF49R19 GFF49R19					4P	0.66	2333	1970	33	1.95					GFA99R59 GFAF99R59 GF99R59 GFF99R59	4P			4.0	384	324	6.1			1.10	0.76	2041	1723					34	2.20			GFA99R59 GFAF99R59 GF99R59 GFF99R59	4P	4.5			341	288	6.6	1.25	0.86	1810				1528						34	2.50	GFA99R59 GFAF99R59 GF99R59 GFF99R59	4P	5.3	295	249	6.9			1.45	0.99		1572	1327						35	2.90	GFA99R59 GFAF99R59 GF99R59 GFF99R59	4P	3.9	396			334	5.9					1.05	1.1	1387	1171			35	3.30	GFA99R59 GFAF99R59 GF99R59 GFF99R59	4P			4.5	348					294	6.4	1.20	0.51	3050	2575			22	1.05					GFA89R59 GFAF89R59 GF89R59	4P			5.2	300	253	6.9	1.40	0.60	2604	2199									24	1.20	GFA89R59 GFAF89R59 GF89R59	4P	6.0	257	217	7.1	1.65	0.68	2286	1930							25		1.40		GFA89R59 GFAF89R59 GF89R59	4P	6.9					225	190	7.3			1.85	0.77	2024	1709					25	1.60					GFA89R59 GFAF89R59 GF89R59	4P	7.4	211			178	7.4		2.00		0.88			1768	1493	26	1.80			GFA89R59 GFAF89R59 GF89R59	4P			7.0	220			186	4.0			0.95	GFF39R19 GFAF39R19 GF39R19 GFF39R19	4P	1.1	1360	1148				27	2.35	GFA89R59 GFAF89R59 GF89R59	4P						7.8	198	167			4.2	1.05	1.3	1196					1010	27	2.65									GFA89R59 GFAF89R59 GF89R59	4P	9.0	172	145	4.5			1.20			1.5			1050	887			28	3.00	GFA89R59 GFAF89R59 GF89R59	4P				10	153	129	4.7				1.40	1.7			924			780	28	3.45	GFA89R59 GFAF89R59 GF89R59	4P									3.0	541	281.71	19	2.70		GFA79 GFAF79 GF79 GFF79				6P	0.85	1829	1544	13	0.85	GFA79R39 GFAF79R39 GF79R39 GFF79R39	4P							3.2	505			262.93	19	2.90	1.0	1604	1354	15	1.00							GFA79R39 GFAF79R39 GF79R39 GFF79R39	4P			3.8	434	225.79	19	3.40				1.1		1421	1200			16	1.10			GFA79R39 GFAF79R39 GF79R39 GFF79R39	4P			3.7	440	228.99	12	1.80	GFA69 GFAF69 GF69 GFF69			6P	1.2			1247	1053	17	1.30			GFA79R39 GFAF79R39 GF79R39 GFF79R39	4P			4.4	375	195.39	12					2.10	1.4	1078	910	17	1.50	GFA79R39 GFAF79R39 GF79R39 GFF79R39	4P					5.0	328					170.85	12	2.40	1.6	959			810	18	1.65		GFA79R39 GFAF79R39 GF79R39 GFF79R39	4P								5.7	285	228.99	12	2.80	1.8	841	710	18	1.90			GFA79R39 GFAF79R39 GF79R39 GFF79R39	4P					6.7	244			195.39	12	3.20	2.1	728	615			18	2.20			GFA79R39 GFAF79R39 GF79R39 GFF79R39	4P	7.7	213					170.85	12	3.70										GFA59 GFAF59 GF59 GFF59	6P			4.3	384			199.70	10	1.50								GFA59 GFAF59 GF59 GFF59	6P	4.6	353			183.60	10	1.65								GFA59 GFAF59 GF59 GFF59	6P	5.4	302	157.09	11			1.95						GFA59 GFAF59 GF59 GFF59	6P	6.2	262	136.16			11	2.20						GFA59 GFAF59 GF59 GFF59	6P	6.7	245			127.27	11	2.40						GFA59 GFAF59 GF59 GFF59	6P			7.7	211
0.15	10123	8548	45	0.80			GFA109R79 GFAF109R79 GF109R79 GFF109R79	4P							4.4	352	297	12	2.50	0.17	9089	7675	46	0.90	GFA109R79 GFAF109R79 GF109R79 GFF109R79					4P					5.0	309	261	12	2.80	0.19	8015	6768	49	1.05	GFA109R79 GFAF109R79 GF109R79 GFF109R79	4P									5.5	282	238	12	3.10	0.22	7051	5954	51	1.15					GFA109R79 GFAF109R79 GF109R79 GFF109R79	4P					6.6	237	200	12	3.65	0.25	6185	5223					53	1.35	GFA109R79 GFAF109R79 GF109R79 GFF109R79	4P					2.3	661	558	8.6	0.95	GFA59R39 GFAF59R39 GF59R39 GFF59R39					4P	0.29	5409	4567	54	1.55			GFA109R79 GFAF109R79 GF109R79 GFF109R79		4P	2.6		599					506	9.1	1.05			0.37	4170	3521	56	2.00	GFA109R79 GFAF109R79 GF109R79 GFF109R79	4P									2.9	535	452			10	1.20	0.43	3597	3037		57				2.30			GFA109R79 GFAF109R79 GF109R79 GFF109R79			4P			3.4	457	386	10					1.40	0.48	3264	2756	58	2.55			GFA109R79 GFAF109R79 GF109R79 GFF109R79	4P	3.9	400	338	10			1.60	0.55					2806	2369			58	2.95	GFA109R79 GFAF109R79 GF109R79 GFF109R79	4P	3.1	505	426	10			1.25	0.63			2449	2068					59	3.40	GFA109R79 GFAF109R79 GF109R79 GFF109R79	4P	3.4	452	382	10					1.40	0.30	5131	4333					27	0.90	GFA99R59 GFAF99R59 GF99R59 GFF99R59	4P	4.0	391			330	10			1.60	0.34			4626	3906			29	1.00	GFA99R59 GFAF99R59 GF99R59 GFF99R59	4P			4.4	353	298	10					1.80	0.39	3970	3352			30	1.15			GFA99R59 GFAF99R59 GF99R59 GFF99R59	4P	5.0	310	262			11			2.05	0.45	3443	2907	31	1.30					GFA99R59 GFAF99R59 GF99R59 GFF99R59	4P			5.8	268	226	11			2.40	0.51	3023	2553			32	1.50					GFA99R59 GFAF99R59 GF99R59 GFF99R59	4P	6.6	237	200	11			2.70	0.58			2659	2245	33	1.70			GFA99R59 GFAF99R59 GF99R59 GFF99R59	4P			3.5	438	370	5.6		0.95	GFA49R19 GFAF49R19 GF49R19 GFF49R19				4P	0.66			2333	1970	33	1.95			GFA99R59 GFAF99R59 GF99R59 GFF99R59	4P			4.0			384	324	6.1							1.10	0.76	2041	1723	34	2.20			GFA99R59 GFAF99R59 GF99R59 GFF99R59		4P	4.5				341	288	6.6	1.25	0.86			1810	1528					34	2.50	GFA99R59 GFAF99R59 GF99R59 GFF99R59	4P			5.3	295	249	6.9			1.45	0.99	1572	1327					35			2.90	GFA99R59 GFAF99R59 GF99R59 GFF99R59	4P	3.9	396	334				5.9	1.05		1.1			1387	1171			35	3.30	GFA99R59 GFAF99R59 GF99R59 GFF99R59	4P			4.5	348	294	6.4	1.20	0.51					3050	2575			22	1.05			GFA89R59 GFAF89R59 GF89R59	4P	5.2	300			253	6.9	1.40	0.60			2604	2199					24	1.20	GFA89R59 GFAF89R59 GF89R59	4P			6.0	257	217	7.1	1.65	0.68			2286	1930			25	1.40					GFA89R59 GFAF89R59 GF89R59	4P	6.9	225	190	7.3	1.85	0.77					2024	1709			25	1.60			GFA89R59 GFAF89R59 GF89R59	4P	7.4	211	178	7.4	2.00	0.88			1768	1493			26		1.80				GFA89R59 GFAF89R59 GF89R59					4P	7.0	220	186	4.0	0.95	GFF39R19 GFAF39R19 GF39R19 GFF39R19	4P	1.1					1360	1148	27	2.35					GFA89R59 GFAF89R59 GF89R59	4P	7.8	198	167	4.2		1.05		1.3			1196	1010	27	2.65					GFA89R59 GFAF89R59 GF89R59	4P	9.0	172			145	4.5			1.20			1.5	1050	887	28			3.00	GFA89R59 GFAF89R59 GF89R59			4P					10	153	129			4.7	1.40	1.7	924		780	28		3.45	GFA89R59 GFAF89R59 GF89R59	4P				3.0	541						281.71	19	2.70	GFA79 GFAF79 GF79 GFF79	6P	0.85	1829			1544			13	0.85			GFA79R39 GFAF79R39 GF79R39 GFF79R39	4P					3.2	505	262.93	19	2.90	1.0			1604	1354			15			1.00	GFA79R39 GFAF79R39 GF79R39 GFF79R39	4P					3.8			434			225.79	19	3.40	1.1	1421	1200			16			1.10	GFA79R39 GFAF79R39 GF79R39 GFF79R39	4P	3.7	440			228.99	12					1.80	GFA69 GFAF69 GF69 GFF69			6P	1.2	1247	1053	17	1.30	GFA79R39 GFAF79R39 GF79R39 GFF79R39	4P					4.4	375					195.39	12	2.10	1.4	1078				910		17	1.50	GFA79R39 GFAF79R39 GF79R39 GFF79R39	4P	5.0	328							170.85	12	2.40	1.6	959					810			18	1.65	GFA79R39 GFAF79R39 GF79R39 GFF79R39	4P	5.7	285					228.99	12	2.80	1.8					841	710	18	1.90	GFA79R39 GFAF79R39 GF79R39 GFF79R39	4P			6.7	244			195.39	12					3.20	2.1	728	615	18			2.20	GFA79R39 GFAF79R39 GF79R39 GFF79R39	4P	7.7			213							170.85	12	3.70						GFA59 GFAF59 GF59 GFF59	6P					4.3	384			199.70	10			1.50								GFA59 GFAF59 GF59 GFF59	6P	4.6	353			183.60	10					1.65								GFA59 GFAF59 GF59 GFF59	6P	5.4	302					157.09	11			1.95						GFA59 GFAF59 GF59 GFF59	6P	6.2	262			136.16	11			2.20						GFA59 GFAF59 GF59 GFF59	6P	6.7	245			127.27	11	2.40								GFA59 GFAF59 GF59 GFF59	6P			7.7	211	110.01			11	2.80																									
0.17	9089	7675	46	0.90					GFA109R79 GFAF109R79 GF109R79 GFF109R79	4P					5.0	309	261	12	2.80	0.19	8015	6768	49	1.05							GFA109R79 GFAF109R79 GF109R79 GFF109R79	4P			5.5	282	238	12	3.10	0.22	7051	5954	51	1.15			GFA109R79 GFAF109R79 GF109R79 GFF109R79	4P							6.6	237	200	12	3.65	0.25	6185	5223	53	1.35	GFA109R79 GFAF109R79 GF109R79 GFF109R79	4P									2.3	661	558	8.6	0.95	GFA59R39 GFAF59R39 GF59R39 GFF59R39	4P	0.29	5409	4567			54	1.55							GFA109R79 GFAF109R79 GF109R79 GFF109R79	4P	2.6	599	506		9.1	1.05				0.37	4170	3521	56	2.00						GFA109R79 GFAF109R79 GF109R79 GFF109R79		4P	2.9	535			452	10	1.20			0.43	3597	3037	57	2.30					GFA109R79 GFAF109R79 GF109R79 GFF109R79	4P					3.4	457	386			10	1.40	0.48	3264	2756	58	2.55		GFA109R79 GFAF109R79 GF109R79 GFF109R79		4P				3.9	400				338	10	1.60	0.55			2806	2369	58	2.95	GFA109R79 GFAF109R79 GF109R79 GFF109R79	4P	3.1	505					426	10	1.25	0.63			2449	2068	59	3.40			GFA109R79 GFAF109R79 GF109R79 GFF109R79	4P			3.4	452			382	10	1.40	0.30			5131	4333	27	0.90	GFA99R59 GFAF99R59 GF99R59 GFF99R59	4P					4.0	391			330	10	1.60	0.34	4626	3906			29	1.00	GFA99R59 GFAF99R59 GF99R59 GFF99R59	4P					4.4	353			298	10	1.80	0.39	3970	3352			30	1.15			GFA99R59 GFAF99R59 GF99R59 GFF99R59	4P			5.0	310			262	11	2.05	0.45	3443	2907					31	1.30	GFA99R59 GFAF99R59 GF99R59 GFF99R59	4P			5.8	268	226	11			2.40	0.51	3023			2553			32	1.50	GFA99R59 GFAF99R59 GF99R59 GFF99R59	4P	6.6	237	200	11							2.70	0.58	2659	2245			33	1.70	GFA99R59 GFAF99R59 GF99R59 GFF99R59	4P	3.5	438	370	5.6							0.95	GFA49R19 GFAF49R19 GF49R19 GFF49R19	4P	0.66			2333	1970	33	1.95	GFA99R59 GFAF99R59 GF99R59 GFF99R59	4P	4.0	384							324	6.1	1.10	0.76	2041	1723		34				2.20			GFA99R59 GFAF99R59 GF99R59 GFF99R59	4P	4.5	341					288	6.6	1.25			0.86	1810	1528		34	2.50				GFA99R59 GFAF99R59 GF99R59 GFF99R59	4P	5.3	295	249	6.9	1.45	0.99				1572				1327	35	2.90	GFA99R59 GFAF99R59 GF99R59 GFF99R59	4P			3.9	396			334	5.9	1.05	1.1					1387	1171	35	3.30			GFA99R59 GFAF99R59 GF99R59 GFF99R59	4P	4.5	348	294	6.4			1.20			0.51			3050	2575	22				1.05	GFA89R59 GFAF89R59 GF89R59		4P	5.2	300	253	6.9			1.40	0.60					2604	2199	24	1.20	GFA89R59 GFAF89R59 GF89R59	4P	6.0	257			217	7.1			1.65	0.68					2286	1930	25	1.40	GFA89R59 GFAF89R59 GF89R59	4P	6.9	225			190	7.3					1.85	0.77			2024	1709	25	1.60	GFA89R59 GFAF89R59 GF89R59	4P	7.4	211			178	7.4			2.00	0.88			1768	1493			26	1.80	GFA89R59 GFAF89R59 GF89R59	4P	7.0	220					186	4.0	0.95	GFF39R19 GFAF39R19 GF39R19 GFF39R19	4P	1.1					1360	1148	27	2.35	GFA89R59 GFAF89R59 GF89R59	4P			7.8	198	167	4.2	1.05		1.3							1196	1010		27	2.65	GFA89R59 GFAF89R59 GF89R59	4P	9.0			172	145	4.5			1.20	1.5	1050	887							28	3.00	GFA89R59 GFAF89R59 GF89R59	4P	10	153	129	4.7			1.40	1.7	924	780							28	3.45	GFA89R59 GFAF89R59 GF89R59	4P	3.0	541			281.71			19	2.70	GFA79 GFAF79 GF79 GFF79	6P			0.85					1829	1544			13	0.85	GFA79R39 GFAF79R39 GF79R39 GFF79R39	4P	3.2	505	262.93	19	2.90		1.0	1604		1354			15	1.00		GFA79R39 GFAF79R39 GF79R39 GFF79R39	4P						3.8	434	225.79			19	3.40			1.1	1421	1200	16	1.10									GFA79R39 GFAF79R39 GF79R39 GFF79R39	4P	3.7	440	228.99	12	1.80	GFA69 GFAF69 GF69 GFF69	6P	1.2			1247	1053	17	1.30							GFA79R39 GFAF79R39 GF79R39 GFF79R39			4P	4.4	375	195.39	12	2.10	1.4	1078	910			17			1.50			GFA79R39 GFAF79R39 GF79R39 GFF79R39	4P			5.0	328	170.85	12			2.40					1.6	959	810	18	1.65			GFA79R39 GFAF79R39 GF79R39 GFF79R39	4P			5.7	285					228.99	12	2.80	1.8	841			710	18	1.90	GFA79R39 GFAF79R39 GF79R39 GFF79R39	4P			6.7	244							195.39	12	3.20	2.1	728		615	18		2.20			GFA79R39 GFAF79R39 GF79R39 GFF79R39	4P			7.7	213					170.85	12	3.70								GFA59 GFAF59 GF59 GFF59	6P					4.3	384			199.70	10		1.50							GFA59 GFAF59 GF59 GFF59			6P			4.6			353			183.60	10			1.65						GFA59 GFAF59 GF59 GFF59	6P							5.4	302	157.09	11	1.95								GFA59 GFAF59 GF59 GFF59	6P					6.2	262			136.16	11	2.20										GFA59 GFAF59 GF59 GFF59	6P			6.7	245			127.27	11	2.40								GFA59 GFAF59 GF59 GFF59	6P			7.7	211			110.01	11			2.80																																																									
0.19	8015	6768	49	1.05							GFA109R79 GFAF109R79 GF109R79 GFF109R79			4P	5.5	282	238	12	3.10	0.22	7051	5954	51	1.15				GFA109R79 GFAF109R79 GF109R79 GFF109R79	4P						6.6	237	200	12	3.65	0.25	6185	5223	53	1.35					GFA109R79 GFAF109R79 GF109R79 GFF109R79	4P					2.3	661	558	8.6	0.95	GFA59R39 GFAF59R39 GF59R39 GFF59R39	4P	0.29	5409	4567			54	1.55							GFA109R79 GFAF109R79 GF109R79 GFF109R79	4P	2.6	599	506			9.1	1.05	0.37	4170	3521	56	2.00									GFA109R79 GFAF109R79 GF109R79 GFF109R79	4P	2.9		535	452	10	1.20		0.43	3597	3037	57	2.30									GFA109R79 GFAF109R79 GF109R79 GFF109R79	4P	3.4	457	386	10	1.40			0.48	3264	2756	58	2.55							GFA109R79 GFAF109R79 GF109R79 GFF109R79	4P			3.9	400	338	10	1.60	0.55	2806	2369	58	2.95	GFA109R79 GFAF109R79 GF109R79 GFF109R79	4P					3.1	505		426	10				1.25	0.63	2449	2068			59	3.40	GFA109R79 GFAF109R79 GF109R79 GFF109R79	4P			3.4	452	382	10			1.40	0.30	5131	4333			27	0.90	GFA99R59 GFAF99R59 GF99R59 GFF99R59	4P					4.0	391	330	10			1.60	0.34	4626	3906			29	1.00	GFA99R59 GFAF99R59 GF99R59 GFF99R59	4P					4.4	353	298	10			1.80	0.39	3970	3352	30	1.15			GFA99R59 GFAF99R59 GF99R59 GFF99R59	4P			5.0	310			262	11			2.05	0.45	3443	2907	31	1.30			GFA99R59 GFAF99R59 GF99R59 GFF99R59	4P	5.8	268					226	11			2.40	0.51	3023	2553	32	1.50	GFA99R59 GFAF99R59 GF99R59 GFF99R59	4P			6.6	237					200	11	2.70	0.58			2659	2245	33	1.70	GFA99R59 GFAF99R59 GF99R59 GFF99R59	4P			3.5	438			370	5.6	0.95	GFA49R19 GFAF49R19 GF49R19 GFF49R19					4P	0.66	2333	1970	33	1.95			GFA99R59 GFAF99R59 GF99R59 GFF99R59	4P			4.0	384	324	6.1			1.10	0.76			2041			1723			34	2.20	GFA99R59 GFAF99R59 GF99R59 GFF99R59	4P			4.5	341	288	6.6					1.25	0.86	1810	1528	34	2.50		GFA99R59 GFAF99R59 GF99R59 GFF99R59				4P	5.3	295			249	6.9					1.45	0.99	1572	1327	35	2.90	GFA99R59 GFAF99R59 GF99R59 GFF99R59	4P		3.9	396		334	5.9			1.05	1.1	1387	1171	35	3.30				GFA99R59 GFAF99R59 GF99R59 GFF99R59				4P	4.5	348			294	6.4	1.20	0.51			3050	2575	22	1.05					GFA89R59 GFAF89R59 GF89R59	4P	5.2	300	253	6.9			1.40	0.60	2604	2199			24			1.20			GFA89R59 GFAF89R59 GF89R59	4P	6.0	257	217		7.1				1.65	0.68	2286	1930			25	1.40			GFA89R59 GFAF89R59 GF89R59	4P	6.9	225	190	7.3			1.85	0.77			2024	1709			25	1.60	GFA89R59 GFAF89R59 GF89R59	4P			7.4	211	178	7.4			2.00	0.88			1768	1493			26	1.80	GFA89R59 GFAF89R59 GF89R59	4P			7.0	220	186	4.0			0.95	GFF39R19 GFAF39R19 GF39R19 GFF39R19			4P	1.1	1360	1148	27	2.35			GFA89R59 GFAF89R59 GF89R59	4P			7.8	198			167	4.2			1.05	1.3	1196	1010	27			2.65					GFA89R59 GFAF89R59 GF89R59	4P	9.0	172			145	4.5	1.20	1.5	1050	887	28		3.00					GFA89R59 GFAF89R59 GF89R59	4P	10	153		129	4.7			1.40			1.7	924	780	28	3.45	GFA89R59 GFAF89R59 GF89R59	4P	3.0	541							281.71	19			2.70	GFA79 GFAF79 GF79 GFF79	6P	0.85	1829	1544	13	0.85	GFA79R39 GFAF79R39 GF79R39 GFF79R39	4P							3.2	505			262.93	19	2.90	1.0	1604			1354	15					1.00					GFA79R39 GFAF79R39 GF79R39 GFF79R39	4P	3.8	434	225.79	19			3.40	1.1	1421	1200	16	1.10	GFA79R39 GFAF79R39 GF79R39 GFF79R39	4P	3.7	440			228.99	12					1.80	GFA69 GFAF69 GF69 GFF69			6P	1.2	1247			1053	17			1.30	GFA79R39 GFAF79R39 GF79R39 GFF79R39	4P	4.4	375	195.39	12									2.10	1.4	1078	910	17			1.50	GFA79R39 GFAF79R39 GF79R39 GFF79R39	4P	5.0	328	170.85	12						2.40		1.6			959	810	18	1.65	GFA79R39 GFAF79R39 GF79R39 GFF79R39	4P	5.7	285		228.99	12	2.80		1.8							841	710	18	1.90			GFA79R39 GFAF79R39 GF79R39 GFF79R39		4P	6.7		244	195.39	12	3.20	2.1							728	615			18	2.20	GFA79R39 GFAF79R39 GF79R39 GFF79R39	4P	7.7	213	170.85			12	3.70														GFA59 GFAF59 GF59 GFF59	6P	4.3	384	199.70		10	1.50															GFA59 GFAF59 GF59 GFF59	6P	4.6	353	183.60	10	1.65														GFA59 GFAF59 GF59 GFF59	6P	5.4	302	157.09	11	1.95														GFA59 GFAF59 GF59 GFF59	6P	6.2	262			136.16	11	2.20												GFA59 GFAF59 GF59 GFF59	6P	6.7	245	127.27	11			2.40										GFA59 GFAF59 GF59 GFF59	6P			7.7	211	110.01	11			2.80																																																																																													
0.22	7051	5954	51	1.15								GFA109R79 GFAF109R79 GF109R79 GFF109R79	4P		6.6	237	200	12	3.65	0.25	6185	5223	53	1.35									GFA109R79 GFAF109R79 GF109R79 GFF109R79	4P	2.3	661	558	8.6	0.95	GFA59R39 GFAF59R39 GF59R39 GFF59R39	4P	0.29	5409	4567									54	1.55	GFA109R79 GFAF109R79 GF109R79 GFF109R79	4P	2.6	599	506			9.1	1.05	0.37			4170	3521					56	2.00			GFA109R79 GFAF109R79 GF109R79 GFF109R79	4P	2.9			535	452	10	1.20	0.43	3597	3037					57	2.30					GFA109R79 GFAF109R79 GF109R79 GFF109R79		4P	3.4	457	386		10	1.40	0.48	3264	2756				58			2.55				GFA109R79 GFAF109R79 GF109R79 GFF109R79	4P	3.9	400	338			10	1.60	0.55	2806	2369									58	2.95	GFA109R79 GFAF109R79 GF109R79 GFF109R79	4P	3.1	505	426	10	1.25	0.63	2449	2068			59		3.40		GFA109R79 GFAF109R79 GF109R79 GFF109R79	4P		3.4	452				382	10	1.40	0.30	5131	4333	27	0.90					GFA99R59 GFAF99R59 GF99R59 GFF99R59	4P	4.0	391			330	10	1.60	0.34			4626	3906			29	1.00			GFA99R59 GFAF99R59 GF99R59 GFF99R59	4P	4.4	353			298	10	1.80	0.39			3970	3352					30	1.15	GFA99R59 GFAF99R59 GF99R59 GFF99R59	4P	5.0	310			262	11	2.05	0.45	3443	2907							31	1.30	GFA99R59 GFAF99R59 GF99R59 GFF99R59	4P	5.8	268			226	11	2.40	0.51	3023	2553					32	1.50			GFA99R59 GFAF99R59 GF99R59 GFF99R59	4P	6.6	237			200	11	2.70	0.58	2659	2245					33	1.70			GFA99R59 GFAF99R59 GF99R59 GFF99R59	4P	3.5	438	370	5.6			0.95	GFA49R19 GFAF49R19 GF49R19 GFF49R19	4P	0.66					2333	1970			33	1.95	GFA99R59 GFAF99R59 GF99R59 GFF99R59		4P	4.0				384	324	6.1	1.10	0.76							2041	1723	34	2.20	GFA99R59 GFAF99R59 GF99R59 GFF99R59	4P	4.5	341			288			6.6			1.25	0.86					1810	1528	34	2.50			GFA99R59 GFAF99R59 GF99R59 GFF99R59	4P	5.3	295	249	6.9	1.45	0.99							1572	1327			35	2.90	GFA99R59 GFAF99R59 GF99R59 GFF99R59	4P			3.9	396	334	5.9	1.05	1.1				1387	1171		35	3.30			GFA99R59 GFAF99R59 GF99R59 GFF99R59	4P	4.5	348	294	6.4					1.20	0.51			3050	2575			22	1.05	GFA89R59 GFAF89R59 GF89R59	4P			5.2	300	253	6.9			1.40	0.60			2604	2199	24	1.20			GFA89R59 GFAF89R59 GF89R59	4P	6.0	257			217	7.1	1.65	0.68					2286	1930	25	1.40	GFA89R59 GFAF89R59 GF89R59		4P		6.9	225	190	7.3			1.85	0.77					2024	1709	25	1.60			GFA89R59 GFAF89R59 GF89R59	4P	7.4	211	178	7.4			2.00	0.88					1768	1493	26	1.80			GFA89R59 GFAF89R59 GF89R59	4P	7.0	220	186	4.0			0.95	GFF39R19 GFAF39R19 GF39R19 GFF39R19					4P	1.1	1360	1148			27		2.35	GFA89R59 GFAF89R59 GF89R59		4P	7.8	198	167	4.2							1.05	1.3			1196	1010	27	2.65	GFA89R59 GFAF89R59 GF89R59	4P	9.0	172	145			4.5							1.20	1.5			1050	887	28	3.00	GFA89R59 GFAF89R59 GF89R59	4P	10	153	129	4.7						1.40	1.7		924	780			28			3.45	GFA89R59 GFAF89R59 GF89R59	4P	3.0	541			281.71	19	2.70	GFA79 GFAF79 GF79 GFF79					6P	0.85			1829			1544	13	0.85	GFA79R39 GFAF79R39 GF79R39 GFF79R39	4P			3.2	505					262.93	19			2.90	1.0	1604	1354	15			1.00	GFA79R39 GFAF79R39 GF79R39 GFF79R39			4P	3.8	434							225.79	19	3.40	1.1			1421	1200	16	1.10	GFA79R39 GFAF79R39 GF79R39 GFF79R39	4P			3.7	440			228.99	12	1.80			GFA69 GFAF69 GF69 GFF69	6P					1.2	1247			1053	17	1.30	GFA79R39 GFAF79R39 GF79R39 GFF79R39	4P			4.4	375	195.39	12					2.10	1.4			1078	910	17	1.50	GFA79R39 GFAF79R39 GF79R39 GFF79R39			4P			5.0	328	170.85	12					2.40	1.6		959	810		18	1.65	GFA79R39 GFAF79R39 GF79R39 GFF79R39	4P			5.7	285		228.99	12	2.80		1.8							841	710	18	1.90	GFA79R39 GFAF79R39 GF79R39 GFF79R39	4P				6.7		244	195.39	12	3.20	2.1					728	615	18	2.20			GFA79R39 GFAF79R39 GF79R39 GFF79R39	4P			7.7	213	170.85	12	3.70										GFA59 GFAF59 GF59 GFF59	6P			4.3	384			199.70	10	1.50												GFA59 GFAF59 GF59 GFF59	6P			4.6	353			183.60	10	1.65												GFA59 GFAF59 GF59 GFF59	6P	5.4	302			157.09	11	1.95							GFA59 GFAF59 GF59 GFF59	6P				6.2			262			136.16	11	2.20						GFA59 GFAF59 GF59 GFF59	6P					6.7	245					127.27	11	2.40						GFA59 GFAF59 GF59 GFF59	6P			7.7	211							110.01	11	2.80																																																																																																	
0.25	6185	5223	53	1.35	GFA109R79 GFAF109R79 GF109R79 GFF109R79	4P									2.3	661	558	8.6	0.95	GFA59R39 GFAF59R39 GF59R39 GFF59R39	4P																																																																																																																																																																																																																																																																																																																																																																																																																																																																																																																																																																																																																																																																																																																																																																																																																																																																																																																																																																																																	
0.29	5409	4567	54	1.55			GFA109R79 GFAF109R79 GF109R79 GFF109R79	4P							2.6	599	506	9.1	1.05			0.37	4170	3521	56	2.00	GFA109R79 GFAF109R79 GF109R79 GFF109R79			4P					2.9	535	452	10	1.20			0.43	3597	3037	57	2.30					GFA109R79 GFAF109R79 GF109R79 GFF109R79	4P	3.4	457			386	10	1.40			0.48	3264	2756			58	2.55	GFA109R79 GFAF109R79 GF109R79 GFF109R79	4P	3.9	400	338	10					1.60			0.55	2806	2369	58	2.95	GFA109R79 GFAF109R79 GF109R79 GFF109R79	4P	3.1	505	426	10	1.25	0.63						2449		2068	59	3.40	GFA109R79 GFAF109R79 GF109R79 GFF109R79	4P	3.4	452	382	10	1.40	0.30	5131	4333	27		0.90						GFA99R59 GFAF99R59 GF99R59 GFF99R59	4P	4.0	391	330	10	1.60	0.34	4626	3906	29	1.00	GFA99R59 GFAF99R59 GF99R59 GFF99R59	4P					4.4	353			298	10	1.80	0.39	3970	3352	30	1.15			GFA99R59 GFAF99R59 GF99R59 GFF99R59		4P				5.0	310	262	11	2.05	0.45	3443	2907	31	1.30	GFA99R59 GFAF99R59 GF99R59 GFF99R59	4P	5.8	268							226	11	2.40	0.51	3023	2553	32	1.50	GFA99R59 GFAF99R59 GF99R59 GFF99R59	4P	6.6	237			200	11					2.70	0.58	2659	2245	33	1.70	GFA99R59 GFAF99R59 GF99R59 GFF99R59	4P	3.5	438	370	5.6					0.95	GFA49R19 GFAF49R19 GF49R19 GFF49R19			4P	0.66	2333	1970	33	1.95	GFA99R59 GFAF99R59 GF99R59 GFF99R59	4P	4.0	384	324	6.1					1.10	0.76			2041	1723	34	2.20	GFA99R59 GFAF99R59 GF99R59 GFF99R59	4P	4.5	341	288	6.6	1.25	0.86			1810	1528					34	2.50	GFA99R59 GFAF99R59 GF99R59 GFF99R59	4P	5.3	295	249	6.9	1.45	0.99			1572	1327	35	2.90					GFA99R59 GFAF99R59 GF99R59 GFF99R59	4P	3.9	396	334	5.9	1.05			1.1			1387	1171	35	3.30			GFA99R59 GFAF99R59 GF99R59 GFF99R59	4P				4.5	348	294		6.4	1.20	0.51	3050	2575	22	1.05					GFA89R59 GFAF89R59 GF89R59	4P	5.2	300			253	6.9	1.40	0.60	2604			2199	24	1.20	GFA89R59 GFAF89R59 GF89R59	4P					6.0	257	217	7.1	1.65	0.68			2286	1930	25	1.40	GFA89R59 GFAF89R59 GF89R59	4P	6.9		225	190	7.3		1.85	0.77			2024	1709			25	1.60	GFA89R59 GFAF89R59 GF89R59	4P	7.4	211	178	7.4			2.00	0.88	1768	1493	26	1.80					GFA89R59 GFAF89R59 GF89R59	4P	7.0	220	186	4.0	0.95		GFF39R19 GFAF39R19 GF39R19 GFF39R19	4P	1.1		1360	1148			27	2.35			GFA89R59 GFAF89R59 GF89R59	4P	7.8	198	167	4.2	1.05	1.3	1196	1010			27	2.65	GFA89R59 GFAF89R59 GF89R59	4P					9.0	172	145	4.5	1.20	1.5	1050	887	28	3.00			GFA89R59 GFAF89R59 GF89R59	4P	10	153					129	4.7	1.40	1.7	924	780	28	3.45	GFA89R59 GFAF89R59 GF89R59	4P			3.0	541	281.71	19					2.70	GFA79 GFAF79 GF79 GFF79	6P	0.85	1829	1544	13	0.85			GFA79R39 GFAF79R39 GF79R39 GFF79R39	4P	3.2	505	262.93	19					2.90	1.0	1604	1354	15	1.00	GFA79R39 GFAF79R39 GF79R39 GFF79R39				4P	3.8		434	225.79	19			3.40		1.1				1421	1200	16	1.10	GFA79R39 GFAF79R39 GF79R39 GFF79R39	4P			3.7	440	228.99	12			1.80	GFA69 GFAF69 GF69 GFF69	6P	1.2			1247	1053	17			1.30	GFA79R39 GFAF79R39 GF79R39 GFF79R39	4P	4.4	375			195.39	12			2.10	1.4	1078	910			17	1.50	GFA79R39 GFAF79R39 GF79R39 GFF79R39	4P	5.0	328	170.85			12	2.40	1.6	959	810			18	1.65	GFA79R39 GFAF79R39 GF79R39 GFF79R39	4P			5.7	285			228.99	12	2.80		1.8	841	710	18		1.90			GFA79R39 GFAF79R39 GF79R39 GFF79R39			4P	6.7	244					195.39	12	3.20	2.1	728	615	18	2.20			GFA79R39 GFAF79R39 GF79R39 GFF79R39	4P	7.7	213	170.85	12	3.70										GFA59 GFAF59 GF59 GFF59	6P			4.3	384	199.70	10			1.50										GFA59 GFAF59 GF59 GFF59	6P	4.6	353	183.60						10	1.65							GFA59 GFAF59 GF59 GFF59	6P					5.4	302	157.09	11	1.95								GFA59 GFAF59 GF59 GFF59	6P	6.2	262							136.16	11	2.20						GFA59 GFAF59 GF59 GFF59	6P		6.7	245		127.27	11					2.40						GFA59 GFAF59 GF59 GFF59	6P	7.7	211			110.01	11	2.80																																																																																																																																																																																																																																																													
0.37	4170	3521	56	2.00					GFA109R79 GFAF109R79 GF109R79 GFF109R79	4P					2.9	535	452	10	1.20			0.43	3597	3037	57	2.30					GFA109R79 GFAF109R79 GF109R79 GFF109R79	4P			3.4	457	386	10	1.40			0.48	3264	2756	58	2.55	GFA109R79 GFAF109R79 GF109R79 GFF109R79	4P					3.9	400			338	10	1.60			0.55	2806	2369	58	2.95	GFA109R79 GFAF109R79 GF109R79 GFF109R79	4P			3.1	505	426	10					1.25	0.63	2449	2068	59	3.40	GFA109R79 GFAF109R79 GF109R79 GFF109R79	4P			3.4	452	382	10	1.40	0.30	5131	4333				27		0.90	GFA99R59 GFAF99R59 GF99R59 GFF99R59	4P			4.0	391	330	10	1.60	0.34	4626	3906	29	1.00	GFA99R59 GFAF99R59 GF99R59 GFF99R59	4P							4.4	353	298	10	1.80	0.39	3970	3352	30	1.15			GFA99R59 GFAF99R59 GF99R59 GFF99R59	4P			5.0	310			262	11	2.05	0.45	3443	2907	31	1.30				GFA99R59 GFAF99R59 GF99R59 GFF99R59		4P			5.8	268	226	11	2.40	0.51	3023	2553	32	1.50			GFA99R59 GFAF99R59 GF99R59 GFF99R59	4P			6.6	237			200	11	2.70	0.58	2659	2245	33	1.70			GFA99R59 GFAF99R59 GF99R59 GFF99R59	4P			3.5	438	370	5.6			0.95	GFA49R19 GFAF49R19 GF49R19 GFF49R19	4P	0.66	2333	1970			33	1.95	GFA99R59 GFAF99R59 GF99R59 GFF99R59	4P			4.0	384	324					6.1	1.10	0.76	2041	1723			34	2.20	GFA99R59 GFAF99R59 GF99R59 GFF99R59	4P			4.5	341	288	6.6			1.25	0.86	1810	1528			34	2.50	GFA99R59 GFAF99R59 GF99R59 GFF99R59	4P	5.3	295			249	6.9	1.45	0.99			1572	1327			35	2.90	GFA99R59 GFAF99R59 GF99R59 GFF99R59	4P	3.9	396			334	5.9	1.05	1.1	1387	1171					35	3.30	GFA99R59 GFAF99R59 GF99R59 GFF99R59	4P	4.5			348			294	6.4	1.20	0.51	3050	2575						22	1.05	GFA89R59 GFAF89R59 GF89R59		4P	5.2	300	253	6.9	1.40	0.60			2604	2199			24	1.20			GFA89R59 GFAF89R59 GF89R59	4P	6.0	257	217	7.1	1.65	0.68	2286	1930					25	1.40	GFA89R59 GFAF89R59 GF89R59	4P	6.9	225	190	7.3			1.85	0.77	2024	1709			25		1.60	GFA89R59 GFAF89R59 GF89R59	4P		7.4	211	178	7.4	2.00	0.88			1768	1493			26	1.80	GFA89R59 GFAF89R59 GF89R59	4P			7.0	220	186	4.0	0.95	GFF39R19 GFAF39R19 GF39R19 GFF39R19	4P	1.1					1360	1148	27	2.35	GFA89R59 GFAF89R59 GF89R59				4P		7.8	198	167	4.2	1.05	1.3					1196	1010	27	2.65	GFA89R59 GFAF89R59 GF89R59	4P	9.0	172			145	4.5			1.20	1.5			1050	887	28	3.00	GFA89R59 GFAF89R59 GF89R59	4P	10	153	129	4.7					1.40	1.7		924		780	28	3.45	GFA89R59 GFAF89R59 GF89R59	4P	3.0	541	281.71	19					2.70	GFA79 GFAF79 GF79 GFF79	6P	0.85	1829	1544			13			0.85	GFA79R39 GFAF79R39 GF79R39 GFF79R39	4P	3.2	505					262.93	19	2.90	1.0	1604	1354			15	1.00	GFA79R39 GFAF79R39 GF79R39 GFF79R39	4P	3.8	434						225.79		19	3.40	1.1	1421	1200	16		1.10				GFA79R39 GFAF79R39 GF79R39 GFF79R39	4P	3.7	440					228.99	12	1.80	GFA69 GFAF69 GF69 GFF69	6P	1.2	1247			1053			17	1.30	GFA79R39 GFAF79R39 GF79R39 GFF79R39	4P	4.4	375			195.39	12			2.10	1.4	1078	910	17	1.50	GFA79R39 GFAF79R39 GF79R39 GFF79R39	4P			5.0	328			170.85	12	2.40			1.6	959	810	18	1.65	GFA79R39 GFAF79R39 GF79R39 GFF79R39	4P	5.7	285					228.99	12			2.80	1.8	841		710	18	1.90	GFA79R39 GFAF79R39 GF79R39 GFF79R39		4P	6.7	244					195.39	12					3.20	2.1	728	615	18	2.20	GFA79R39 GFAF79R39 GF79R39 GFF79R39	4P	7.7	213			170.85	12	3.70								GFA59 GFAF59 GF59 GFF59	6P	4.3	384					199.70	10	1.50						GFA59 GFAF59 GF59 GFF59	6P					4.6	353			183.60	10	1.65										GFA59 GFAF59 GF59 GFF59	6P	5.4	302							157.09	11	1.95						GFA59 GFAF59 GF59 GFF59	6P	6.2	262			136.16	11		2.20									GFA59 GFAF59 GF59 GFF59	6P	6.7	245			127.27	11	2.40										GFA59 GFAF59 GF59 GFF59	6P	7.7	211			110.01	11	2.80																																																																																																																																																																																																																																																																	
0.43	3597	3037	57	2.30							GFA109R79 GFAF109R79 GF109R79 GFF109R79			4P	3.4	457	386	10	1.40			0.48	3264	2756	58	2.55		GFA109R79 GFAF109R79 GF109R79 GFF109R79	4P						3.9	400	338	10	1.60			0.55	2806	2369	58	2.95			GFA109R79 GFAF109R79 GF109R79 GFF109R79	4P			3.1	505			426	10	1.25	0.63	2449	2068	59	3.40	GFA109R79 GFAF109R79 GF109R79 GFF109R79	4P					3.4	452	382	10	1.40	0.30			5131	4333	27	0.90	GFA99R59 GFAF99R59 GF99R59 GFF99R59	4P					4.0	391	330	10	1.60	0.34	4626	3906	29	1.00		GFA99R59 GFAF99R59 GF99R59 GFF99R59		4P					4.4	353	298	10	1.80	0.39	3970	3352	30	1.15			GFA99R59 GFAF99R59 GF99R59 GFF99R59	4P					5.0	310	262	11	2.05	0.45	3443	2907	31	1.30					GFA99R59 GFAF99R59 GF99R59 GFF99R59	4P	5.8	268			226	11	2.40	0.51	3023	2553	32	1.50	GFA99R59 GFAF99R59 GF99R59 GFF99R59	4P							6.6	237	200	11	2.70	0.58	2659	2245	33	1.70					GFA99R59 GFAF99R59 GF99R59 GFF99R59	4P	3.5	438			370	5.6	0.95	GFA49R19 GFAF49R19 GF49R19 GFF49R19	4P	0.66	2333	1970					33	1.95	GFA99R59 GFAF99R59 GF99R59 GFF99R59	4P	4.0	384			324			6.1	1.10	0.76			2041	1723			34	2.20	GFA99R59 GFAF99R59 GF99R59 GFF99R59	4P	4.5					341	288	6.6	1.25	0.86			1810	1528			34	2.50	GFA99R59 GFAF99R59 GF99R59 GFF99R59	4P	5.3	295			249	6.9	1.45	0.99			1572	1327			35	2.90	GFA99R59 GFAF99R59 GF99R59 GFF99R59	4P	3.9	396	334	5.9			1.05	1.1			1387	1171			35	3.30	GFA99R59 GFAF99R59 GF99R59 GFF99R59	4P	4.5	348	294	6.4	1.20	0.51					3050	2575			22			1.05	GFA89R59 GFAF89R59 GF89R59	4P	5.2	300	253	6.9	1.40	0.60				2604		2199	24		1.20		GFA89R59 GFAF89R59 GF89R59	4P	6.0	257	217	7.1	1.65	0.68	2286	1930			25	1.40					GFA89R59 GFAF89R59 GF89R59	4P	6.9	225	190	7.3	1.85	0.77			2024	1709	25	1.60			GFA89R59 GFAF89R59 GF89R59	4P	7.4	211			178	7.4	2.00	0.88			1768	1493	26			1.80	GFA89R59 GFAF89R59 GF89R59	4P	7.0	220	186	4.0			0.95	GFF39R19 GFAF39R19 GF39R19 GFF39R19			4P	1.1			1360	1148	27	2.35	GFA89R59 GFAF89R59 GF89R59	4P	7.8			198					167	4.2	1.05	1.3		1196				1010	27	2.65	GFA89R59 GFAF89R59 GF89R59	4P	9.0	172					145	4.5	1.20	1.5			1050	887	28	3.00	GFA89R59 GFAF89R59 GF89R59	4P			10	153			129	4.7	1.40	1.7			924	780	28	3.45	GFA89R59 GFAF89R59 GF89R59	4P			3.0	541		281.71		19	2.70	GFA79 GFAF79 GF79 GFF79			6P	0.85	1829	1544			13	0.85	GFA79R39 GFAF79R39 GF79R39 GFF79R39			4P	3.2	505			262.93			19			2.90	1.0	1604	1354			15	1.00	GFA79R39 GFAF79R39 GF79R39 GFF79R39	4P	3.8	434			225.79	19			3.40	1.1			1421	1200		16		1.10	GFA79R39 GFAF79R39 GF79R39 GFF79R39	4P	3.7	440	228.99	12	1.80		GFA69 GFAF69 GF69 GFF69				6P	1.2			1247	1053	17	1.30	GFA79R39 GFAF79R39 GF79R39 GFF79R39			4P	4.4			375			195.39	12			2.10	1.4			1078	910	17	1.50	GFA79R39 GFAF79R39 GF79R39 GFF79R39	4P	5.0	328	170.85	12					2.40	1.6			959	810	18	1.65	GFA79R39 GFAF79R39 GF79R39 GFF79R39	4P	5.7	285	228.99	12			2.80	1.8					841	710	18	1.90	GFA79R39 GFAF79R39 GF79R39 GFF79R39	4P	6.7		244	195.39	12				3.20	2.1		728	615		18	2.20			GFA79R39 GFAF79R39 GF79R39 GFF79R39	4P	7.7	213	170.85	12	3.70										GFA59 GFAF59 GF59 GFF59	6P	4.3	384		199.70	10				1.50								GFA59 GFAF59 GF59 GFF59	6P	4.6	353	183.60	10					1.65								GFA59 GFAF59 GF59 GFF59	6P	5.4			302	157.09	11	1.95												GFA59 GFAF59 GF59 GFF59	6P	6.2	262	136.16	11	2.20											GFA59 GFAF59 GF59 GFF59	6P		6.7	245	127.27	11	2.40										GFA59 GFAF59 GF59 GFF59	6P	7.7	211			110.01	11	2.80																																																																																																																																																																																																																																																																											
0.48	3264	2756	58	2.55								GFA109R79 GFAF109R79 GF109R79 GFF109R79	4P		3.9	400	338	10	1.60			0.55	2806	2369	58	2.95							GFA109R79 GFAF109R79 GF109R79 GFF109R79	4P	3.1	505	426	10	1.25	0.63	2449	2068	59	3.40	GFA109R79 GFAF109R79 GF109R79 GFF109R79	4P							3.4	452	382	10	1.40	0.30	5131	4333	27	0.90	GFA99R59 GFAF99R59 GF99R59 GFF99R59	4P							4.0	391	330	10	1.60	0.34	4626	3906	29	1.00	GFA99R59 GFAF99R59 GF99R59 GFF99R59	4P							4.4	353	298	10	1.80	0.39	3970	3352	30	1.15	GFA99R59 GFAF99R59 GF99R59 GFF99R59		4P						5.0	310	262	11	2.05	0.45	3443	2907	31	1.30					GFA99R59 GFAF99R59 GF99R59 GFF99R59	4P			5.8	268	226	11	2.40	0.51	3023	2553	32	1.50							GFA99R59 GFAF99R59 GF99R59 GFF99R59	4P	6.6	237	200	11	2.70	0.58	2659	2245	33	1.70							GFA99R59 GFAF99R59 GF99R59 GFF99R59	4P	3.5	438	370	5.6	0.95	GFA49R19 GFAF49R19 GF49R19 GFF49R19	4P	0.66	2333	1970							33	1.95	GFA99R59 GFAF99R59 GF99R59 GFF99R59	4P	4.0	384	324			6.1	1.10	0.76					2041	1723			34	2.20	GFA99R59 GFAF99R59 GF99R59 GFF99R59	4P	4.5			341	288	6.6			1.25	0.86			1810	1528			34		2.50	GFA99R59 GFAF99R59 GF99R59 GFF99R59		4P	5.3	295	249	6.9			1.45	0.99			1572	1327			35	2.90	GFA99R59 GFAF99R59 GF99R59 GFF99R59	4P	3.9	396	334	5.9			1.05	1.1			1387	1171			35	3.30	GFA99R59 GFAF99R59 GF99R59 GFF99R59	4P	4.5	348	294	6.4			1.20	0.51			3050	2575			22	1.05	GFA89R59 GFAF89R59 GF89R59	4P	5.2	300	253	6.9			1.40	0.60			2604	2199	24	1.20			GFA89R59 GFAF89R59 GF89R59	4P	6.0	257	217	7.1			1.65	0.68	2286	1930	25		1.40				GFA89R59 GFAF89R59 GF89R59	4P	6.9	225	190	7.3	1.85	0.77			2024	1709	25	1.60					GFA89R59 GFAF89R59 GF89R59	4P	7.4	211	178	7.4			2.00	0.88	1768	1493					26	1.80	GFA89R59 GFAF89R59 GF89R59	4P	7.0	220	186	4.0			0.95	GFF39R19 GFAF39R19 GF39R19 GFF39R19	4P			1.1			1360	1148	27	2.35	GFA89R59 GFAF89R59 GF89R59	4P	7.8					198			167	4.2	1.05	1.3			1196			1010	27	2.65			GFA89R59 GFAF89R59 GF89R59	4P	9.0	172		145				4.5	1.20	1.5			1050	887	28	3.00			GFA89R59 GFAF89R59 GF89R59	4P	10	153			129	4.7	1.40	1.7					924	780	28	3.45	GFA89R59 GFAF89R59 GF89R59	4P	3.0	541			281.71	19	2.70	GFA79 GFAF79 GF79 GFF79					6P	0.85	1829	1544	13	0.85	GFA79R39 GFAF79R39 GF79R39 GFF79R39					4P	3.2	505			262.93	19					2.90	1.0	1604	1354	15			1.00			GFA79R39 GFAF79R39 GF79R39 GFF79R39	4P	3.8	434			225.79	19			3.40	1.1	1421	1200	16	1.10			GFA79R39 GFAF79R39 GF79R39 GFF79R39	4P		3.7	440	228.99		12	1.80	GFA69 GFAF69 GF69 GFF69			6P	1.2	1247	1053	17	1.30		GFA79R39 GFAF79R39 GF79R39 GFF79R39				4P			4.4	375	195.39	12					2.10			1.4	1078	910	17	1.50			GFA79R39 GFAF79R39 GF79R39 GFF79R39	4P			5.0	328	170.85	12			2.40	1.6	959	810			18	1.65	GFA79R39 GFAF79R39 GF79R39 GFF79R39	4P			5.7	285	228.99	12			2.80	1.8	841	710			18	1.90			GFA79R39 GFAF79R39 GF79R39 GFF79R39	4P	6.7	244	195.39	12			3.20	2.1	728	615	18		2.20		GFA79R39 GFAF79R39 GF79R39 GFF79R39	4P		7.7	213		170.85	12	3.70								GFA59 GFAF59 GF59 GFF59	6P			4.3	384			199.70	10			1.50								GFA59 GFAF59 GF59 GFF59	6P			4.6	353	183.60	10			1.65								GFA59 GFAF59 GF59 GFF59	6P	5.4	302			157.09	11			1.95						GFA59 GFAF59 GF59 GFF59	6P			6.2	262			136.16	11	2.20								GFA59 GFAF59 GF59 GFF59	6P			6.7	245			127.27	11	2.40								GFA59 GFAF59 GF59 GFF59	6P			7.7	211			110.01	11			2.80																																																																																																																																																																																																																																																																																	
0.55	2806	2369	58	2.95	GFA109R79 GFAF109R79 GF109R79 GFF109R79	4P									3.1	505	426	10	1.25	0.63	2449	2068	59	3.40	GFA109R79 GFAF109R79 GF109R79 GFF109R79	4P									3.4	452	382	10	1.40	0.30	5131	4333	27	0.90									GFA99R59 GFAF99R59 GF99R59 GFF99R59	4P	4.0	391	330	10	1.60	0.34	4626	3906									29	1.00	GFA99R59 GFAF99R59 GF99R59 GFF99R59	4P	4.4	353	298	10	1.80	0.39									3970	3352	30	1.15	GFA99R59 GFAF99R59 GF99R59 GFF99R59	4P	5.0	310	262	11									2.05	0.45	3443	2907	31	1.30	GFA99R59 GFAF99R59 GF99R59 GFF99R59	4P	5.8	268									226	11	2.40	0.51	3023	2553	32	1.50	GFA99R59 GFAF99R59 GF99R59 GFF99R59	4P									6.6	237	200	11	2.70	0.58	2659	2245	33	1.70									GFA99R59 GFAF99R59 GF99R59 GFF99R59	4P	3.5	438	370			5.6	0.95	GFA49R19 GFAF49R19 GF49R19 GFF49R19							4P	0.66			2333	1970	33			1.95	GFA99R59 GFAF99R59 GF99R59 GFF99R59	4P					4.0	384			324	6.1			1.10			0.76	2041	1723			34	2.20			GFA99R59 GFAF99R59 GF99R59 GFF99R59	4P			4.5		341				288	6.6	1.25	0.86			1810	1528			34	2.50			GFA99R59 GFAF99R59 GF99R59 GFF99R59	4P			5.3	295	249	6.9			1.45	0.99			1572	1327			35	2.90			GFA99R59 GFAF99R59 GF99R59 GFF99R59	4P	3.9	396			334	5.9			1.05	1.1			1387	1171			35	3.30	GFA99R59 GFAF99R59 GF99R59 GFF99R59	4P			4.5	348			294	6.4	1.20	0.51					3050	2575	22	1.05			GFA89R59 GFAF89R59 GF89R59	4P	5.2	300	253		6.9						1.40	0.60	2604	2199	24	1.20			GFA89R59 GFAF89R59 GF89R59	4P	6.0	257							217	7.1	1.65	0.68			2286	1930	25	1.40					GFA89R59 GFAF89R59 GF89R59	4P			6.9	225	190	7.3			1.85					0.77			2024	1709	25	1.60			GFA89R59 GFAF89R59 GF89R59					4P			7.4	211	178	7.4			2.00			0.88	1768	1493					26	1.80		GFA89R59 GFAF89R59 GF89R59				4P	7.0	220			186	4.0	0.95	GFF39R19 GFAF39R19 GF39R19 GFF39R19					4P	1.1			1360	1148	27	2.35					GFA89R59 GFAF89R59 GF89R59	4P	7.8	198			167	4.2			1.05	1.3	1196							1010	27	2.65	GFA89R59 GFAF89R59 GF89R59	4P							9.0	172			145	4.5					1.20	1.5	1050	887	28			3.00					GFA89R59 GFAF89R59 GF89R59	4P			10	153			129	4.7	1.40	1.7	924	780						28	3.45	GFA89R59 GFAF89R59 GF89R59		4P	3.0					541	281.71	19	2.70	GFA79 GFAF79 GF79 GFF79									6P	0.85	1829	1544					13			0.85	GFA79R39 GFAF79R39 GF79R39 GFF79R39	4P	3.2	505							262.93	19	2.90	1.0			1604	1354	15	1.00			GFA79R39 GFAF79R39 GF79R39 GFF79R39	4P					3.8	434	225.79	19			3.40	1.1	1421	1200			16	1.10					GFA79R39 GFAF79R39 GF79R39 GFF79R39	4P	3.7	440			228.99	12	1.80	GFA69 GFAF69 GF69 GFF69	6P		1.2					1247	1053		17	1.30	GFA79R39 GFAF79R39 GF79R39 GFF79R39	4P			4.4	375	195.39	12					2.10	1.4			1078	910			17	1.50	GFA79R39 GFAF79R39 GF79R39 GFF79R39	4P	5.0	328							170.85	12	2.40	1.6			959	810	18	1.65			GFA79R39 GFAF79R39 GF79R39 GFF79R39	4P			5.7	285			228.99	12			2.80	1.8	841	710	18	1.90					GFA79R39 GFAF79R39 GF79R39 GFF79R39	4P			6.7	244	195.39	12			3.20	2.1	728	615					18	2.20			GFA79R39 GFAF79R39 GF79R39 GFF79R39	4P	7.7			213	170.85	12	3.70														GFA59 GFAF59 GF59 GFF59	6P	4.3	384	199.70	10	1.50										GFA59 GFAF59 GF59 GFF59	6P	4.6	353	183.60	10	1.65						GFA59 GFAF59 GF59 GFF59	6P	5.4	302	157.09	11	1.95						GFA59 GFAF59 GF59 GFF59	6P	6.2	262	136.16	11	2.20						GFA59 GFAF59 GF59 GFF59	6P	6.7	245	127.27	11	2.40						GFA59 GFAF59 GF59 GFF59	6P	7.7	211	110.01	11	2.80																																																																																																																																																																																																											
0.63	2449	2068	59	3.40			GFA109R79 GFAF109R79 GF109R79 GFF109R79	4P							3.4	452	382	10	1.40	0.30	5131	4333	27	0.90			GFA99R59 GFAF99R59 GF99R59 GFF99R59			4P					4.0	391	330	10	1.60	0.34	4626	3906	29	1.00							GFA99R59 GFAF99R59 GF99R59 GFF99R59	4P			4.4	353	298	10	1.80	0.39	3970	3352							30	1.15	GFA99R59 GFAF99R59 GF99R59 GFF99R59	4P			5.0	310	262	11	2.05	0.45							3443	2907	31	1.30	GFA99R59 GFAF99R59 GF99R59 GFF99R59	4P			5.8	268	226	11							2.40	0.51	3023	2553	32	1.50	GFA99R59 GFAF99R59 GF99R59 GFF99R59	4P			6.6	237							200	11	2.70	0.58	2659	2245	33	1.70	GFA99R59 GFAF99R59 GF99R59 GFF99R59	4P			3.5	438							370	5.6	0.95	GFA49R19 GFAF49R19 GF49R19 GFF49R19	4P	0.66	2333	1970	33	1.95			GFA99R59 GFAF99R59 GF99R59 GFF99R59		4P						4.0	384	324			6.1	1.10		0.76	2041						1723			34	2.20	GFA99R59 GFAF99R59 GF99R59 GFF99R59			4P			4.5	341			288	6.6			1.25	0.86			1810			1528	34	2.50	GFA99R59 GFAF99R59 GF99R59 GFF99R59	4P	5.3	295							249	6.9	1.45		0.99		1572	1327	35	2.90	GFA99R59 GFAF99R59 GF99R59 GFF99R59	4P	3.9	396			334	5.9							1.05	1.1	1387	1171	35	3.30	GFA99R59 GFAF99R59 GF99R59 GFF99R59	4P			4.5	348			294	6.4					1.20	0.51	3050	2575	22	1.05			GFA89R59 GFAF89R59 GF89R59	4P			5.2	300			253	6.9			1.40	0.60	2604	2199			24	1.20	GFA89R59 GFAF89R59 GF89R59	4P					6.0	257	217	7.1	1.65	0.68			2286	1930	25		1.40						GFA89R59 GFAF89R59 GF89R59	4P	6.9	225	190	7.3	1.85	0.77			2024	1709							25	1.60	GFA89R59 GFAF89R59 GF89R59	4P	7.4	211	178	7.4	2.00	0.88									1768	1493	26	1.80	GFA89R59 GFAF89R59 GF89R59	4P	7.0					220			186	4.0	0.95	GFF39R19 GFAF39R19 GF39R19 GFF39R19					4P	1.1					1360	1148	27	2.35			GFA89R59 GFAF89R59 GF89R59			4P	7.8	198	167	4.2			1.05	1.3			1196	1010			27	2.65			GFA89R59 GFAF89R59 GF89R59	4P	9.0		172	145				4.5			1.20	1.5	1050	887			28	3.00			GFA89R59 GFAF89R59 GF89R59	4P			10	153			129	4.7	1.40				1.7	924		780	28	3.45									GFA89R59 GFAF89R59 GF89R59	4P	3.0	541	281.71	19					2.70	GFA79 GFAF79 GF79 GFF79	6P	0.85	1829	1544	13	0.85							GFA79R39 GFAF79R39 GF79R39 GFF79R39	4P	3.2	505			262.93	19	2.90	1.0	1604	1354					15	1.00	GFA79R39 GFAF79R39 GF79R39 GFF79R39		4P		3.8					434	225.79	19	3.40								1.1	1421		1200	16	1.10					GFA79R39 GFAF79R39 GF79R39 GFF79R39	4P	3.7	440			228.99	12					1.80	GFA69 GFAF69 GF69 GFF69	6P	1.2	1247	1053			17	1.30	GFA79R39 GFAF79R39 GF79R39 GFF79R39	4P							4.4	375	195.39	12	2.10	1.4			1078	910	17	1.50			GFA79R39 GFAF79R39 GF79R39 GFF79R39	4P	5.0	328					170.85	12			2.40	1.6	959				810				18	1.65	GFA79R39 GFAF79R39 GF79R39 GFF79R39	4P	5.7	285					228.99	12	2.80	1.8					841	710	18	1.90	GFA79R39 GFAF79R39 GF79R39 GFF79R39	4P			6.7	244			195.39	12					3.20	2.1	728	615	18	2.20			GFA79R39 GFAF79R39 GF79R39 GFF79R39	4P	7.7	213							170.85	12	3.70								GFA59 GFAF59 GF59 GFF59	6P	4.3	384							199.70	10	1.50								GFA59 GFAF59 GF59 GFF59	6P					4.6	353	183.60	10			1.65												GFA59 GFAF59 GF59 GFF59	6P	5.4	302	157.09	11					1.95								GFA59 GFAF59 GF59 GFF59	6P	6.2	262	136.16	11			2.20						GFA59 GFAF59 GF59 GFF59	6P	6.7	245			127.27	11	2.40						GFA59 GFAF59 GF59 GFF59	6P			7.7	211	110.01	11	2.80																																																																																																																																																																																																																																			
0.30	5131	4333	27	0.90					GFA99R59 GFAF99R59 GF99R59 GFF99R59	4P					4.0	391	330	10	1.60	0.34	4626	3906	29	1.00							GFA99R59 GFAF99R59 GF99R59 GFF99R59	4P			4.4	353	298	10	1.80	0.39	3970	3352	30	1.15			GFA99R59 GFAF99R59 GF99R59 GFF99R59	4P							5.0	310	262	11	2.05	0.45	3443	2907					31	1.30	GFA99R59 GFAF99R59 GF99R59 GFF99R59	4P					5.8	268	226	11	2.40	0.51					3023	2553	32	1.50	GFA99R59 GFAF99R59 GF99R59 GFF99R59	4P					6.6	237	200	11					2.70	0.58	2659	2245	33	1.70	GFA99R59 GFAF99R59 GF99R59 GFF99R59	4P					3.5	438	370	5.6					0.95	GFA49R19 GFAF49R19 GF49R19 GFF49R19	4P	0.66	2333	1970	33	1.95					GFA99R59 GFAF99R59 GF99R59 GFF99R59	4P	4.0	384					324	6.1	1.10			0.76	2041	1723	34	2.20				GFA99R59 GFAF99R59 GF99R59 GFF99R59		4P					4.5	341	288			6.6	1.25		0.86	1810	1528	34				2.50			GFA99R59 GFAF99R59 GF99R59 GFF99R59	4P							5.3	295	249	6.9	1.45	0.99			1572	1327			35	2.90	GFA99R59 GFAF99R59 GF99R59 GFF99R59	4P	3.9	396			334	5.9	1.05	1.1					1387	1171	35		3.30		GFA99R59 GFAF99R59 GF99R59 GFF99R59	4P	4.5	348			294	6.4	1.20	0.51	3050	2575							22	1.05	GFA89R59 GFAF89R59 GF89R59	4P	5.2	300			253	6.9	1.40	0.60			2604	2199					24	1.20	GFA89R59 GFAF89R59 GF89R59	4P	6.0	257	217	7.1					1.65	0.68			2286	1930			25	1.40	GFA89R59 GFAF89R59 GF89R59	4P	6.9	225	190	7.3							1.85	0.77	2024	1709	25	1.60			GFA89R59 GFAF89R59 GF89R59	4P	7.4	211	178	7.4							2.00	0.88	1768	1493	26	1.80			GFA89R59 GFAF89R59 GF89R59	4P	7.0	220					186	4.0			0.95	GFF39R19 GFAF39R19 GF39R19 GFF39R19	4P	1.1	1360	1148	27	2.35							GFA89R59 GFAF89R59 GF89R59	4P	7.8	198			167			4.2	1.05	1.3			1196	1010	27							2.65			GFA89R59 GFAF89R59 GF89R59	4P	9.0	172	145	4.5				1.20	1.5		1050	887	28	3.00			GFA89R59 GFAF89R59 GF89R59	4P	10		153	129	4.7		1.40	1.7					924		780	28				3.45	GFA89R59 GFAF89R59 GF89R59	4P	3.0	541	281.71	19			2.70	GFA79 GFAF79 GF79 GFF79							6P	0.85	1829	1544	13	0.85	GFA79R39 GFAF79R39 GF79R39 GFF79R39				4P	3.2		505	262.93	19					2.90	1.0					1604	1354	15	1.00		GFA79R39 GFAF79R39 GF79R39 GFF79R39	4P		3.8			434	225.79	19	3.40	1.1	1421	1200							16	1.10			GFA79R39 GFAF79R39 GF79R39 GFF79R39	4P	3.7	440	228.99	12	1.80	GFA69 GFAF69 GF69 GFF69			6P	1.2					1247					1053	17	1.30	GFA79R39 GFAF79R39 GF79R39 GFF79R39				4P	4.4			375	195.39		12	2.10	1.4		1078	910				17	1.50			GFA79R39 GFAF79R39 GF79R39 GFF79R39	4P	5.0	328			170.85			12	2.40	1.6			959	810			18	1.65					GFA79R39 GFAF79R39 GF79R39 GFF79R39	4P	5.7	285	228.99	12			2.80	1.8	841	710	18	1.90			GFA79R39 GFAF79R39 GF79R39 GFF79R39	4P					6.7	244			195.39	12	3.20			2.1	728	615			18	2.20			GFA79R39 GFAF79R39 GF79R39 GFF79R39	4P					7.7	213	170.85	12			3.70										GFA59 GFAF59 GF59 GFF59	6P			4.3	384	199.70	10			1.50										GFA59 GFAF59 GF59 GFF59	6P	4.6	353					183.60	10	1.65										GFA59 GFAF59 GF59 GFF59	6P			5.4	302			157.09	11	1.95												GFA59 GFAF59 GF59 GFF59	6P	6.2	262	136.16	11			2.20										GFA59 GFAF59 GF59 GFF59	6P			6.7	245	127.27	11					2.40						GFA59 GFAF59 GF59 GFF59	6P			7.7	211	110.01	11			2.80																																																																																																																																																																																																																																																															
0.34	4626	3906	29	1.00							GFA99R59 GFAF99R59 GF99R59 GFF99R59			4P	4.4	353	298	10	1.80	0.39	3970	3352	30	1.15				GFA99R59 GFAF99R59 GF99R59 GFF99R59	4P						5.0	310	262	11	2.05	0.45	3443	2907	31	1.30					GFA99R59 GFAF99R59 GF99R59 GFF99R59	4P					5.8	268	226	11	2.40	0.51	3023	2553			32	1.50	GFA99R59 GFAF99R59 GF99R59 GFF99R59	4P							6.6	237	200	11	2.70	0.58			2659	2245	33	1.70	GFA99R59 GFAF99R59 GF99R59 GFF99R59	4P							3.5	438	370	5.6		0.95		GFA49R19 GFAF49R19 GF49R19 GFF49R19	4P	0.66	2333	1970	33	1.95							GFA99R59 GFAF99R59 GF99R59 GFF99R59	4P	4.0	384	324	6.1			1.10			0.76	2041	1723	34	2.20							GFA99R59 GFAF99R59 GF99R59 GFF99R59	4P	4.5	341			288	6.6	1.25			0.86	1810	1528	34	2.50	GFA99R59 GFAF99R59 GF99R59 GFF99R59	4P									5.3	295	249			6.9	1.45		0.99	1572	1327	35	2.90	GFA99R59 GFAF99R59 GF99R59 GFF99R59		4P						3.9	396				334	5.9	1.05	1.1	1387	1171	35	3.30	GFA99R59 GFAF99R59 GF99R59 GFF99R59	4P			4.5	348			294	6.4			1.20	0.51	3050	2575			22	1.05	GFA89R59 GFAF89R59 GF89R59	4P	5.2		300				253	6.9			1.40	0.60	2604	2199	24	1.20	GFA89R59 GFAF89R59 GF89R59	4P					6.0	257			217	7.1			1.65	0.68	2286	1930	25	1.40	GFA89R59 GFAF89R59 GF89R59	4P					6.9	225			190	7.3	1.85	0.77			2024	1709	25	1.60			GFA89R59 GFAF89R59 GF89R59	4P			7.4	211			178	7.4	2.00	0.88			1768	1493			26	1.80	GFA89R59 GFAF89R59 GF89R59	4P	7.0	220					186	4.0	0.95	GFF39R19 GFAF39R19 GF39R19 GFF39R19	4P	1.1					1360	1148	27	2.35	GFA89R59 GFAF89R59 GF89R59	4P					7.8	198	167	4.2			1.05	1.3			1196			1010	27	2.65	GFA89R59 GFAF89R59 GF89R59	4P	9.0	172							145	4.5			1.20			1.5	1050	887	28	3.00	GFA89R59 GFAF89R59 GF89R59	4P	10					153		129	4.7				1.40	1.7	924	780	28	3.45		GFA89R59 GFAF89R59 GF89R59	4P		3.0	541	281.71	19					2.70		GFA79 GFAF79 GF79 GFF79	6P	0.85		1829	1544	13	0.85			GFA79R39 GFAF79R39 GF79R39 GFF79R39		4P	3.2				505			262.93	19	2.90	1.0	1604	1354	15									1.00	GFA79R39 GFAF79R39 GF79R39 GFF79R39	4P	3.8	434			225.79	19		3.40		1.1	1421	1200				16	1.10	GFA79R39 GFAF79R39 GF79R39 GFF79R39	4P				3.7	440	228.99	12	1.80			GFA69 GFAF69 GF69 GFF69	6P			1.2	1247	1053	17	1.30	GFA79R39 GFAF79R39 GF79R39 GFF79R39	4P							4.4	375	195.39	12			2.10	1.4	1078	910	17					1.50					GFA79R39 GFAF79R39 GF79R39 GFF79R39		4P	5.0		328	170.85	12			2.40			1.6	959		810	18		1.65	GFA79R39 GFAF79R39 GF79R39 GFF79R39	4P	5.7	285	228.99	12			2.80	1.8					841	710			18			1.90	GFA79R39 GFAF79R39 GF79R39 GFF79R39	4P	6.7	244	195.39	12			3.20	2.1							728	615	18	2.20	GFA79R39 GFAF79R39 GF79R39 GFF79R39	4P	7.7	213	170.85	12	3.70														GFA59 GFAF59 GF59 GFF59	6P	4.3			384	199.70	10			1.50												GFA59 GFAF59 GF59 GFF59	6P			4.6	353	183.60	10	1.65												GFA59 GFAF59 GF59 GFF59	6P			5.4	302	157.09	11	1.95														GFA59 GFAF59 GF59 GFF59	6P	6.2	262	136.16	11	2.20														GFA59 GFAF59 GF59 GFF59	6P	6.7	245	127.27	11	2.40												GFA59 GFAF59 GF59 GFF59	6P			7.7	211	110.01	11	2.80																																																																																																																																																																																																																																																																																																	
0.39	3970	3352	30	1.15								GFA99R59 GFAF99R59 GF99R59 GFF99R59	4P		5.0	310	262	11	2.05	0.45	3443	2907	31	1.30									GFA99R59 GFAF99R59 GF99R59 GFF99R59	4P	5.8	268	226	11	2.40	0.51	3023	2553	32	1.50	GFA99R59 GFAF99R59 GF99R59 GFF99R59	4P									6.6	237	200	11	2.70	0.58	2659	2245	33	1.70	GFA99R59 GFAF99R59 GF99R59 GFF99R59	4P									3.5	438	370	5.6	0.95	GFA49R19 GFAF49R19 GF49R19 GFF49R19	4P	0.66	2333	1970	33	1.95									GFA99R59 GFAF99R59 GF99R59 GFF99R59	4P	4.0	384	324	6.1	1.10			0.76	2041	1723	34	2.20									GFA99R59 GFAF99R59 GF99R59 GFF99R59	4P	4.5	341	288	6.6	1.25			0.86	1810	1528	34	2.50									GFA99R59 GFAF99R59 GF99R59 GFF99R59	4P	5.3	295	249	6.9	1.45			0.99	1572	1327	35	2.90							GFA99R59 GFAF99R59 GF99R59 GFF99R59	4P			3.9	396	334	5.9	1.05	1.1	1387		1171	35	3.30	GFA99R59 GFAF99R59 GF99R59 GFF99R59	4P				4.5	348				294	6.4				1.20	0.51	3050	2575	22	1.05	GFA89R59 GFAF89R59 GF89R59	4P			5.2	300	253	6.9			1.40	0.60			2604	2199	24	1.20			GFA89R59 GFAF89R59 GF89R59	4P			6.0	257	217	7.1			1.65	0.68			2286	1930	25	1.40	GFA89R59 GFAF89R59 GF89R59	4P					6.9	225	190	7.3			1.85	0.77			2024	1709	25	1.60	GFA89R59 GFAF89R59 GF89R59	4P			7.4	211			178	7.4			2.00	0.88	1768	1493			26	1.80	GFA89R59 GFAF89R59 GF89R59	4P	7.0	220					186	4.0			0.95	GFF39R19 GFAF39R19 GF39R19 GFF39R19	4P	1.1			1360	1148	27	2.35	GFA89R59 GFAF89R59 GF89R59	4P			7.8	198					167	4.2	1.05			1.3	1196	1010			27	2.65	GFA89R59 GFAF89R59 GF89R59	4P							9.0	172	145	4.5	1.20	1.5	1050	887			28			3.00	GFA89R59 GFAF89R59 GF89R59	4P			10	153			129	4.7			1.40	1.7			924	780	28	3.45	GFA89R59 GFAF89R59 GF89R59	4P	3.0	541			281.71		19	2.70		GFA79 GFAF79 GF79 GFF79		6P	0.85				1829	1544	13	0.85	GFA79R39 GFAF79R39 GF79R39 GFF79R39	4P					3.2	505	262.93	19	2.90	1.0			1604				1354		15	1.00	GFA79R39 GFAF79R39 GF79R39 GFF79R39	4P						3.8	434	225.79		19			3.40	1.1	1421	1200	16	1.10	GFA79R39 GFAF79R39 GF79R39 GFF79R39						4P	3.7		440			228.99	12		1.80	GFA69 GFAF69 GF69 GFF69	6P		1.2	1247	1053	17	1.30			GFA79R39 GFAF79R39 GF79R39 GFF79R39	4P	4.4			375			195.39	12	2.10	1.4	1078							910	17	1.50	GFA79R39 GFAF79R39 GF79R39 GFF79R39	4P			5.0	328					170.85	12	2.40	1.6			959	810	18	1.65	GFA79R39 GFAF79R39 GF79R39 GFF79R39		4P	5.7		285						228.99		12	2.80	1.8	841	710			18	1.90		GFA79R39 GFAF79R39 GF79R39 GFF79R39	4P	6.7	244	195.39		12			3.20	2.1	728	615			18	2.20					GFA79R39 GFAF79R39 GF79R39 GFF79R39	4P	7.7	213	170.85			12			3.70										GFA59 GFAF59 GF59 GFF59	6P			4.3	384	199.70	10			1.50										GFA59 GFAF59 GF59 GFF59	6P			4.6	353	183.60	10			1.65								GFA59 GFAF59 GF59 GFF59	6P							5.4	302	157.09	11			1.95						GFA59 GFAF59 GF59 GFF59	6P			6.2	262					136.16	11			2.20						GFA59 GFAF59 GF59 GFF59	6P	6.7	245					127.27	11			2.40								GFA59 GFAF59 GF59 GFF59	6P	7.7	211					110.01	11	2.80																																																																																																																																																																																																																																																																																																																															
0.45	3443	2907	31	1.30	GFA99R59 GFAF99R59 GF99R59 GFF99R59	4P									5.8	268	226	11	2.40	0.51	3023	2553	32	1.50	GFA99R59 GFAF99R59 GF99R59 GFF99R59	4P									6.6	237	200	11	2.70	0.58	2659	2245	33	1.70									GFA99R59 GFAF99R59 GF99R59 GFF99R59	4P	3.5	438	370	5.6	0.95	GFA49R19 GFAF49R19 GF49R19 GFF49R19	4P	0.66	2333	1970									33	1.95	GFA99R59 GFAF99R59 GF99R59 GFF99R59	4P	4.0	384	324			6.1	1.10	0.76	2041	1723							34	2.20			GFA99R59 GFAF99R59 GF99R59 GFF99R59	4P	4.5	341	288			6.6	1.25	0.86	1810	1528					34	2.50					GFA99R59 GFAF99R59 GF99R59 GFF99R59	4P	5.3	295	249			6.9	1.45	0.99	1572	1327			35	2.90							GFA99R59 GFAF99R59 GF99R59 GFF99R59	4P	3.9	396	334			5.9	1.05	1.1	1387	1171									35	3.30	GFA99R59 GFAF99R59 GF99R59 GFF99R59	4P	4.5	348	294	6.4	1.20	0.51	3050	2575	22				1.05		GFA89R59 GFAF89R59 GF89R59	4P				5.2	300		253	6.9	1.40	0.60	2604	2199	24	1.20					GFA89R59 GFAF89R59 GF89R59	4P	6.0	257			217	7.1			1.65	0.68	2286	1930	25	1.40					GFA89R59 GFAF89R59 GF89R59	4P	6.9	225			190	7.3			1.85	0.77	2024	1709					25	1.60	GFA89R59 GFAF89R59 GF89R59	4P	7.4	211			178	7.4			2.00	0.88	1768	1493					26	1.80	GFA89R59 GFAF89R59 GF89R59	4P	7.0	220			186	4.0	0.95	GFF39R19 GFAF39R19 GF39R19 GFF39R19			4P	1.1			1360	1148			27	2.35	GFA89R59 GFAF89R59 GF89R59	4P			7.8			198			167	4.2	1.05	1.3					1196	1010	27	2.65			GFA89R59 GFAF89R59 GF89R59	4P	9.0			172	145	4.5			1.20	1.5					1050	887			28	3.00	GFA89R59 GFAF89R59 GF89R59	4P	10	153	129	4.7			1.40			1.7					924	780	28	3.45	GFA89R59 GFAF89R59 GF89R59	4P			3.0	541			281.71	19	2.70	GFA79 GFAF79 GF79 GFF79			6P	0.85			1829		1544	13	0.85				GFA79R39 GFAF79R39 GF79R39 GFF79R39	4P			3.2	505	262.93	19							2.90	1.0	1604	1354	15	1.00			GFA79R39 GFAF79R39 GF79R39 GFF79R39	4P			3.8	434	225.79	19						3.40		1.1	1421	1200	16	1.10			GFA79R39 GFAF79R39 GF79R39 GFF79R39	4P	3.7	440	228.99	12			1.80	GFA69 GFAF69 GF69 GFF69				6P		1.2			1247	1053		17				1.30	GFA79R39 GFAF79R39 GF79R39 GFF79R39	4P	4.4	375	195.39	12			2.10			1.4			1078	910	17	1.50	GFA79R39 GFAF79R39 GF79R39 GFF79R39							4P	5.0	328					170.85	12	2.40	1.6			959	810	18	1.65			GFA79R39 GFAF79R39 GF79R39 GFF79R39	4P	5.7	285				228.99		12		2.80		1.8		841		710	18	1.90	GFA79R39 GFAF79R39 GF79R39 GFF79R39	4P		6.7	244	195.39				12	3.20	2.1	728	615			18	2.20	GFA79R39 GFAF79R39 GF79R39 GFF79R39	4P			7.7	213	170.85	12					3.70										GFA59 GFAF59 GF59 GFF59	6P			4.3	384	199.70	10					1.50								GFA59 GFAF59 GF59 GFF59	6P	4.6	353							183.60	10	1.65								GFA59 GFAF59 GF59 GFF59	6P	5.4	302	157.09	11							1.95								GFA59 GFAF59 GF59 GFF59	6P	6.2	262	136.16	11					2.20										GFA59 GFAF59 GF59 GFF59	6P	6.7	245	127.27	11			2.40										GFA59 GFAF59 GF59 GFF59	6P			7.7	211	110.01	11			2.80																																																																																																																																																																																																																																																																																																																																							
0.51	3023	2553	32	1.50			GFA99R59 GFAF99R59 GF99R59 GFF99R59	4P							6.6	237	200	11	2.70	0.58	2659	2245	33	1.70			GFA99R59 GFAF99R59 GF99R59 GFF99R59			4P					3.5	438	370	5.6	0.95	GFA49R19 GFAF49R19 GF49R19 GFF49R19	4P	0.66	2333	1970							33	1.95			GFA99R59 GFAF99R59 GF99R59 GFF99R59	4P	4.0	384	324			6.1	1.10	0.76							2041	1723	34	2.20			GFA99R59 GFAF99R59 GF99R59 GFF99R59	4P	4.5			341	288	6.6	1.25	0.86					1810	1528	34	2.50					GFA99R59 GFAF99R59 GF99R59 GFF99R59	4P	5.3			295	249	6.9	1.45	0.99			1572	1327	35	2.90							GFA99R59 GFAF99R59 GF99R59 GFF99R59	4P	3.9			396	334	5.9	1.05	1.1	1387	1171	35	3.30									GFA99R59 GFAF99R59 GF99R59 GFF99R59	4P	4.5	348	294	6.4	1.20	0.51	3050	2575			22		1.05				GFA89R59 GFAF89R59 GF89R59	4P			5.2	300	253	6.9	1.40	0.60	2604	2199	24				1.20						GFA89R59 GFAF89R59 GF89R59	4P	6.0	257	217	7.1	1.65	0.68	2286	1930	25	1.40							GFA89R59 GFAF89R59 GF89R59	4P			6.9	225	190	7.3	1.85	0.77	2024	1709	25	1.60							GFA89R59 GFAF89R59 GF89R59	4P			7.4	211	178	7.4	2.00	0.88	1768	1493					26	1.80			GFA89R59 GFAF89R59 GF89R59	4P			7.0	220	186	4.0	0.95	GFF39R19 GFAF39R19 GF39R19 GFF39R19	4P	1.1					1360	1148			27	2.35			GFA89R59 GFAF89R59 GF89R59	4P	7.8		198	167		4.2			1.05	1.3			1196	1010					27			2.65	GFA89R59 GFAF89R59 GF89R59	4P	9.0	172	145	4.5					1.20	1.5	1050	887					28			3.00	GFA89R59 GFAF89R59 GF89R59	4P	10	153	129	4.7					1.40	1.7			924	780			28	3.45	GFA89R59 GFAF89R59 GF89R59	4P	3.0	541	281.71			19					2.70	GFA79 GFAF79 GF79 GFF79	6P	0.85					1829	1544	13	0.85	GFA79R39 GFAF79R39 GF79R39 GFF79R39	4P	3.2					505			262.93	19	2.90	1.0	1604		1354						15	1.00	GFA79R39 GFAF79R39 GF79R39 GFF79R39	4P			3.8			434	225.79	19	3.40	1.1	1421	1200							16	1.10	GFA79R39 GFAF79R39 GF79R39 GFF79R39	4P			3.7	440		228.99		12	1.80	GFA69 GFAF69 GF69 GFF69	6P	1.2					1247	1053	17	1.30			GFA79R39 GFAF79R39 GF79R39 GFF79R39		4P	4.4				375			195.39	12		2.10				1.4			1078	910	17	1.50			GFA79R39 GFAF79R39 GF79R39 GFF79R39			4P	5.0	328	170.85	12	2.40	1.6						959	810		18	1.65					GFA79R39 GFAF79R39 GF79R39 GFF79R39	4P	5.7	285	228.99	12	2.80	1.8	841	710					18	1.90				GFA79R39 GFAF79R39 GF79R39 GFF79R39		4P	6.7	244	195.39	12		3.20		2.1	728	615				18	2.20	GFA79R39 GFAF79R39 GF79R39 GFF79R39				4P	7.7	213	170.85	12			3.70								GFA59 GFAF59 GF59 GFF59	6P					4.3	384	199.70	10	1.50										GFA59 GFAF59 GF59 GFF59	6P	4.6	353					183.60	10	1.65										GFA59 GFAF59 GF59 GFF59	6P					5.4	302	157.09	11	1.95										GFA59 GFAF59 GF59 GFF59	6P			6.2	262			136.16	11	2.20										GFA59 GFAF59 GF59 GFF59	6P			6.7	245	127.27	11			2.40										GFA59 GFAF59 GF59 GFF59	6P			7.7	211	110.01	11			2.80																																																																																																																																																																																																																																																																																																																																																					
0.58	2659	2245	33	1.70					GFA99R59 GFAF99R59 GF99R59 GFF99R59	4P					3.5	438	370	5.6	0.95	GFA49R19 GFAF49R19 GF49R19 GFF49R19	4P																																																																																																																																																																																																																																																																																																																																																																																																																																																																																																																																																																																																																																																																																																																																																																																																																																																																																																																																																																																																	
0.66	2333	1970	33	1.95							GFA99R59 GFAF99R59 GF99R59 GFF99R59			4P	4.0	384	324	6.1	1.10			0.76	2041	1723				34	2.20		GFA99R59 GFAF99R59 GF99R59 GFF99R59	4P			4.5	341	288	6.6	1.25			0.86	1810	1528			34	2.50	GFA99R59 GFAF99R59 GF99R59 GFF99R59	4P	5.3	295					249	6.9	1.45			0.99	1572	1327			35	2.90	GFA99R59 GFAF99R59 GF99R59 GFF99R59	4P	3.9	396	334	5.9					1.05			1.1	1387	1171	35	3.30	GFA99R59 GFAF99R59 GF99R59 GFF99R59	4P	4.5	348	294	6.4	1.20	0.51							3050	2575	22	1.05	GFA89R59 GFAF89R59 GF89R59	4P	5.2	300	253	6.9	1.40	0.60	2604	2199	24	1.20							GFA89R59 GFAF89R59 GF89R59	4P	6.0	257	217	7.1	1.65	0.68	2286	1930	25	1.40	GFA89R59 GFAF89R59 GF89R59	4P	6.9	225							190	7.3	1.85	0.77	2024	1709	25	1.60	GFA89R59 GFAF89R59 GF89R59	4P	7.4	211	178	7.4							2.00	0.88	1768	1493	26	1.80	GFA89R59 GFAF89R59 GF89R59	4P	7.0			220	186	4.0			0.95	GFF39R19 GFAF39R19 GF39R19 GFF39R19			4P	1.1	1360	1148	27	2.35	GFA89R59 GFAF89R59 GF89R59	4P	7.8	198			167	4.2					1.05	1.3	1196	1010	27	2.65	GFA89R59 GFAF89R59 GF89R59	4P	9.0	172	145	4.5			1.20	1.5					1050	887	28	3.00	GFA89R59 GFAF89R59 GF89R59	4P	10	153	129	4.7			1.40	1.7	924	780					28	3.45	GFA89R59 GFAF89R59 GF89R59	4P	3.0	541	281.71			19			2.70	GFA79 GFAF79 GF79 GFF79	6P	0.85			1829	1544	13	0.85			GFA79R39 GFAF79R39 GF79R39 GFF79R39		4P	3.2		505			262.93	19	2.90	1.0	1604	1354			15	1.00	GFA79R39 GFAF79R39 GF79R39 GFF79R39			4P			3.8	434	225.79	19			3.40	1.1	1421	1200	16	1.10	GFA79R39 GFAF79R39 GF79R39 GFF79R39	4P			3.7	440	228.99	12			1.80	GFA69 GFAF69 GF69 GFF69	6P	1.2			1247	1053	17	1.30	GFA79R39 GFAF79R39 GF79R39 GFF79R39	4P	4.4	375			195.39	12			2.10	1.4	1078	910	17	1.50			GFA79R39 GFAF79R39 GF79R39 GFF79R39	4P	5.0			328			170.85	12	2.40	1.6	959	810			18					1.65	GFA79R39 GFAF79R39 GF79R39 GFF79R39	4P	5.7	285	228.99	12	2.80		1.8				841	710	18	1.90					GFA79R39 GFAF79R39 GF79R39 GFF79R39	4P	6.7	244	195.39	12	3.20	2.1	728	615	18	2.20			GFA79R39 GFAF79R39 GF79R39 GFF79R39	4P	7.7	213					170.85	12	3.70								GFA59 GFAF59 GF59 GFF59	6P			4.3	384	199.70	10		1.50											GFA59 GFAF59 GF59 GFF59	6P	4.6	353			183.60	10			1.65										GFA59 GFAF59 GF59 GFF59	6P	5.4	302	157.09	11		1.95							GFA59 GFAF59 GF59 GFF59	6P			6.2	262			136.16	11	2.20						GFA59 GFAF59 GF59 GFF59	6P			6.7	245		127.27			11		2.40						GFA59 GFAF59 GF59 GFF59	6P	7.7	211			110.01	11	2.80																																																																																																																																																																																																																																																																																																																																																																																																																																																																																							
0.76	2041	1723	34	2.20								GFA99R59 GFAF99R59 GF99R59 GFF99R59	4P		4.5	341	288	6.6	1.25			0.86	1810	1528				34	2.50				GFA99R59 GFAF99R59 GF99R59 GFF99R59	4P	5.3	295	249	6.9	1.45			0.99	1572	1327	35	2.90	GFA99R59 GFAF99R59 GF99R59 GFF99R59	4P			3.9	396					334	5.9	1.05			1.1	1387	1171	35	3.30	GFA99R59 GFAF99R59 GF99R59 GFF99R59	4P			4.5	348	294	6.4					1.20	0.51	3050	2575	22	1.05	GFA89R59 GFAF89R59 GF89R59	4P			5.2	300	253	6.9	1.40	0.60	2604	2199					24	1.20	GFA89R59 GFAF89R59 GF89R59	4P			6.0	257	217	7.1	1.65	0.68	2286	1930	25	1.40	GFA89R59 GFAF89R59 GF89R59	4P							6.9	225	190	7.3	1.85	0.77	2024	1709	25	1.60			GFA89R59 GFAF89R59 GF89R59	4P	7.4	211					178	7.4	2.00	0.88	1768	1493	26	1.80			GFA89R59 GFAF89R59 GF89R59	4P	7.0	220	186	4.0					0.95	GFF39R19 GFAF39R19 GF39R19 GFF39R19	4P	1.1	1360	1148			27	2.35	GFA89R59 GFAF89R59 GF89R59	4P	7.8	198			167					4.2	1.05	1.3	1196	1010			27	2.65	GFA89R59 GFAF89R59 GF89R59	4P	9.0	172					145	4.5	1.20	1.5	1050	887			28	3.00	GFA89R59 GFAF89R59 GF89R59	4P	10	153	129	4.7					1.40	1.7	924	780			28	3.45	GFA89R59 GFAF89R59 GF89R59	4P	3.0	541	281.71	19	2.70	GFA79 GFAF79 GF79 GFF79					6P	0.85			1829	1544	13			0.85	GFA79R39 GFAF79R39 GF79R39 GFF79R39	4P	3.2			505			262.93	19	2.90	1.0						1604		1354	15	1.00	GFA79R39 GFAF79R39 GF79R39 GFF79R39	4P	3.8	434	225.79	19			3.40	1.1		1421	1200				16	1.10	GFA79R39 GFAF79R39 GF79R39 GFF79R39	4P	3.7	440	228.99	12	1.80	GFA69 GFAF69 GF69 GFF69	6P	1.2					1247	1053	17	1.30			GFA79R39 GFAF79R39 GF79R39 GFF79R39			4P	4.4	375	195.39	12	2.10	1.4			1078	910			17	1.50			GFA79R39 GFAF79R39 GF79R39 GFF79R39	4P	5.0	328	170.85	12	2.40	1.6			959			810			18	1.65	GFA79R39 GFAF79R39 GF79R39 GFF79R39	4P	5.7	285			228.99		12	2.80		1.8			841	710	18	1.90	GFA79R39 GFAF79R39 GF79R39 GFF79R39	4P	6.7	244			195.39	12	3.20	2.1			728	615			18	2.20	GFA79R39 GFAF79R39 GF79R39 GFF79R39	4P	7.7	213	170.85	12	3.70												GFA59 GFAF59 GF59 GFF59	6P	4.3	384	199.70	10	1.50												GFA59 GFAF59 GF59 GFF59	6P				4.6	353		183.60	10	1.65								GFA59 GFAF59 GF59 GFF59	6P			5.4	302	157.09	11	1.95										GFA59 GFAF59 GF59 GFF59	6P		6.2	262	136.16	11	2.20											GFA59 GFAF59 GF59 GFF59	6P	6.7	245	127.27	11	2.40										GFA59 GFAF59 GF59 GFF59		6P		7.7	211	110.01	11	2.80																																																																																																																																																																																																																																																																																																																																																																																																																																																																																																	
0.86	1810	1528	34	2.50	GFA99R59 GFAF99R59 GF99R59 GFF99R59	4P									5.3	295	249	6.9	1.45			0.99	1572	1327	35	2.90		GFA99R59 GFAF99R59 GF99R59 GFF99R59	4P						3.9	396	334	5.9	1.05			1.1	1387	1171	35	3.30					GFA99R59 GFAF99R59 GF99R59 GFF99R59	4P	4.5	348			294	6.4	1.20	0.51	3050	2575	22	1.05	GFA89R59 GFAF89R59 GF89R59	4P					5.2	300	253	6.9	1.40	0.60			2604	2199	24	1.20	GFA89R59 GFAF89R59 GF89R59	4P					6.0	257	217	7.1	1.65	0.68	2286	1930	25	1.40			GFA89R59 GFAF89R59 GF89R59	4P					6.9	225	190	7.3	1.85	0.77	2024	1709	25	1.60			GFA89R59 GFAF89R59 GF89R59	4P					7.4	211	178	7.4	2.00	0.88	1768	1493	26	1.80					GFA89R59 GFAF89R59 GF89R59	4P	7.0	220			186	4.0	0.95	GFF39R19 GFAF39R19 GF39R19 GFF39R19	4P	1.1	1360	1148					27	2.35	GFA89R59 GFAF89R59 GF89R59	4P			7.8	198	167			4.2	1.05	1.3			1196	1010			27	2.65	GFA89R59 GFAF89R59 GF89R59	4P	9.0					172	145	4.5	1.20	1.5			1050	887			28	3.00	GFA89R59 GFAF89R59 GF89R59	4P			10	153	129	4.7	1.40	1.7			924	780			28	3.45	GFA89R59 GFAF89R59 GF89R59	4P	3.0	541			281.71	19	2.70	GFA79 GFAF79 GF79 GFF79			6P	0.85			1829	1544	13	0.85	GFA79R39 GFAF79R39 GF79R39 GFF79R39		4P	3.2				505			262.93	19	2.90			1.0			1604			1354	15	1.00	GFA79R39 GFAF79R39 GF79R39 GFF79R39	4P	3.8	434				225.79		19	3.40	1.1	1421	1200			16	1.10	GFA79R39 GFAF79R39 GF79R39 GFF79R39	4P	3.7	440	228.99	12		1.80	GFA69 GFAF69 GF69 GFF69				6P	1.2			1247	1053	17	1.30	GFA79R39 GFAF79R39 GF79R39 GFF79R39			4P			4.4	375	195.39	12	2.10	1.4							1078	910	17	1.50	GFA79R39 GFAF79R39 GF79R39 GFF79R39	4P			5.0	328	170.85	12	2.40	1.6					959	810	18	1.65	GFA79R39 GFAF79R39 GF79R39 GFF79R39	4P			5.7			285	228.99	12	2.80	1.8			841	710			18	1.90	GFA79R39 GFAF79R39 GF79R39 GFF79R39	4P	6.7	244			195.39	12	3.20	2.1			728	615	18	2.20	GFA79R39 GFAF79R39 GF79R39 GFF79R39	4P	7.7	213			170.85	12			3.70								GFA59 GFAF59 GF59 GFF59	6P	4.3	384			199.70	10			1.50								GFA59 GFAF59 GF59 GFF59			6P			4.6	353	183.60	10	1.65										GFA59 GFAF59 GF59 GFF59	6P	5.4	302			157.09	11	1.95								GFA59 GFAF59 GF59 GFF59	6P	6.2	262		136.16	11				2.20								GFA59 GFAF59 GF59 GFF59	6P	6.7	245			127.27	11	2.40										GFA59 GFAF59 GF59 GFF59	6P			7.7	211	110.01	11	2.80																																																																																																																																																																																																																																																																																																																																																																																																																																																																																																											
0.99	1572	1327	35	2.90			GFA99R59 GFAF99R59 GF99R59 GFF99R59	4P							3.9	396	334	5.9	1.05			1.1	1387	1171	35	3.30	GFA99R59 GFAF99R59 GF99R59 GFF99R59			4P					4.5	348	294	6.4	1.20	0.51	3050	2575	22	1.05	GFA89R59 GFAF89R59 GF89R59	4P							5.2	300	253	6.9	1.40	0.60	2604	2199	24	1.20	GFA89R59 GFAF89R59 GF89R59	4P							6.0	257	217	7.1	1.65	0.68	2286	1930	25	1.40	GFA89R59 GFAF89R59 GF89R59	4P							6.9	225	190	7.3	1.85	0.77	2024	1709	25	1.60	GFA89R59 GFAF89R59 GF89R59	4P							7.4	211	178	7.4	2.00	0.88	1768	1493	26	1.80					GFA89R59 GFAF89R59 GF89R59	4P			7.0	220	186	4.0	0.95	GFF39R19 GFAF39R19 GF39R19 GFF39R19	4P	1.1	1360	1148							27	2.35	GFA89R59 GFAF89R59 GF89R59	4P	7.8	198	167			4.2	1.05	1.3					1196	1010			27	2.65	GFA89R59 GFAF89R59 GF89R59	4P	9.0			172	145	4.5			1.20	1.5			1050	887			28		3.00	GFA89R59 GFAF89R59 GF89R59		4P	10	153	129	4.7			1.40	1.7			924	780			28	3.45	GFA89R59 GFAF89R59 GF89R59	4P	3.0	541	281.71	19			2.70	GFA79 GFAF79 GF79 GFF79			6P	0.85			1829	1544	13	0.85	GFA79R39 GFAF79R39 GF79R39 GFF79R39	4P	3.2					505			262.93	19	2.90	1.0				1604	1354	15		1.00			GFA79R39 GFAF79R39 GF79R39 GFF79R39	4P	3.8	434	225.79	19			3.40			1.1	1421	1200			16	1.10	GFA79R39 GFAF79R39 GF79R39 GFF79R39	4P		3.7		440	228.99	12	1.80	GFA69 GFAF69 GF69 GFF69			6P	1.2			1247	1053	17	1.30		GFA79R39 GFAF79R39 GF79R39 GFF79R39			4P	4.4		375			195.39	12	2.10	1.4							1078	910	17	1.50	GFA79R39 GFAF79R39 GF79R39 GFF79R39	4P	5.0	328					170.85	12	2.40	1.6					959	810	18	1.65	GFA79R39 GFAF79R39 GF79R39 GFF79R39	4P	5.7	285			228.99	12	2.80	1.8					841	710	18	1.90	GFA79R39 GFAF79R39 GF79R39 GFF79R39	4P	6.7	244			195.39	12	3.20	2.1	728	615			18	2.20			GFA79R39 GFAF79R39 GF79R39 GFF79R39	4P	7.7	213			170.85	12	3.70								GFA59 GFAF59 GF59 GFF59	6P			4.3	384			199.70	10	1.50										GFA59 GFAF59 GF59 GFF59	6P	4.6	353			183.60	10	1.65										GFA59 GFAF59 GF59 GFF59	6P	5.4	302			157.09	11	1.95										GFA59 GFAF59 GF59 GFF59	6P	6.2	262			136.16	11	2.20								GFA59 GFAF59 GF59 GFF59	6P			6.7	245			127.27	11	2.40										GFA59 GFAF59 GF59 GFF59	6P	7.7	211			110.01	11	2.80																																																																																																																																																																																																																																																																																																																																																																																																																																																																																																																					
1.1	1387	1171	35	3.30					GFA99R59 GFAF99R59 GF99R59 GFF99R59	4P					4.5	348	294	6.4	1.20	0.51	3050	2575	22	1.05	GFA89R59 GFAF89R59 GF89R59	4P									5.2	300	253	6.9	1.40	0.60	2604	2199	24	1.20									GFA89R59 GFAF89R59 GF89R59	4P	6.0	257	217	7.1	1.65	0.68	2286	1930									25	1.40	GFA89R59 GFAF89R59 GF89R59	4P	6.9	225	190	7.3	1.85	0.77									2024	1709	25	1.60	GFA89R59 GFAF89R59 GF89R59	4P	7.4	211	178	7.4									2.00	0.88	1768	1493	26	1.80	GFA89R59 GFAF89R59 GF89R59	4P	7.0	220									186	4.0	0.95	GFF39R19 GFAF39R19 GF39R19 GFF39R19	4P			1.1	1360	1148							27	2.35			GFA89R59 GFAF89R59 GF89R59	4P	7.8			198	167	4.2					1.05	1.3			1196	1010			27			2.65	GFA89R59 GFAF89R59 GF89R59	4P			9.0	172			145	4.5			1.20		1.5				1050	887	28	3.00			GFA89R59 GFAF89R59 GF89R59	4P			10	153			129	4.7			1.40	1.7	924	780			28					3.45			GFA89R59 GFAF89R59 GF89R59	4P	3.0	541			281.71					19			2.70	GFA79 GFAF79 GF79 GFF79	6P	0.85				1829	1544	13		0.85					GFA79R39 GFAF79R39 GF79R39 GFF79R39	4P	3.2	505			262.93			19	2.90	1.0			1604	1354				15		1.00	GFA79R39 GFAF79R39 GF79R39 GFF79R39	4P	3.8					434			225.79	19	3.40	1.1						1421		1200			16	1.10	GFA79R39 GFAF79R39 GF79R39 GFF79R39	4P							3.7	440	228.99	12			1.80	GFA69 GFAF69 GF69 GFF69					6P	1.2	1247	1053					17	1.30	GFA79R39 GFAF79R39 GF79R39 GFF79R39	4P			4.4	375			195.39	12	2.10	1.4					1078	910	17	1.50			GFA79R39 GFAF79R39 GF79R39 GFF79R39	4P			5.0	328	170.85	12	2.40	1.6			959	810					18	1.65			GFA79R39 GFAF79R39 GF79R39 GFF79R39	4P	5.7	285			228.99	12	2.80	1.8					841	710			18	1.90	GFA79R39 GFAF79R39 GF79R39 GFF79R39	4P			6.7	244			195.39	12			3.20	2.1			728	615	18	2.20		GFA79R39 GFAF79R39 GF79R39 GFF79R39	4P				7.7	213			170.85	12			3.70								GFA59 GFAF59 GF59 GFF59	6P					4.3	384			199.70	10	1.50												GFA59 GFAF59 GF59 GFF59	6P			4.6	353	183.60	10			1.65												GFA59 GFAF59 GF59 GFF59	6P	5.4	302					157.09	11	1.95								GFA59 GFAF59 GF59 GFF59	6P	6.2	262	136.16	11			2.20						GFA59 GFAF59 GF59 GFF59	6P	6.7	245	127.27	11	2.40						GFA59 GFAF59 GF59 GFF59	6P	7.7	211	110.01	11	2.80																																																																																																																																																																																																																																																																																																																																																																																																																																																																					
0.51	3050	2575	22	1.05							GFA89R59 GFAF89R59 GF89R59			4P	5.2	300	253	6.9	1.40	0.60	2604	2199	24	1.20							GFA89R59 GFAF89R59 GF89R59	4P			6.0	257	217	7.1	1.65	0.68	2286	1930	25	1.40					GFA89R59 GFAF89R59 GF89R59	4P					6.9	225	190	7.3	1.85	0.77	2024	1709							25	1.60	GFA89R59 GFAF89R59 GF89R59	4P			7.4	211	178	7.4	2.00	0.88							1768	1493	26	1.80	GFA89R59 GFAF89R59 GF89R59	4P			7.0	220	186	4.0							0.95	GFF39R19 GFAF39R19 GF39R19 GFF39R19	4P	1.1	1360	1148	27	2.35			GFA89R59 GFAF89R59 GF89R59	4P							7.8	198	167	4.2	1.05					1.3	1196	1010	27	2.65					GFA89R59 GFAF89R59 GF89R59	4P					9.0			172	145	4.5	1.20	1.5			1050	887			28	3.00			GFA89R59 GFAF89R59 GF89R59			4P			10	153	129	4.7			1.40	1.7			924	780	28		3.45		GFA89R59 GFAF89R59 GF89R59	4P	3.0	541	281.71	19					2.70	GFA79 GFAF79 GF79 GFF79			6P	0.85			1829	1544	13	0.85	GFA79R39 GFAF79R39 GF79R39 GFF79R39	4P	3.2					505					262.93	19			2.90		1.0	1604		1354			15			1.00				GFA79R39 GFAF79R39 GF79R39 GFF79R39	4P	3.8		434	225.79	19					3.40	1.1			1421	1200	16	1.10	GFA79R39 GFAF79R39 GF79R39 GFF79R39	4P			3.7	440			228.99	12	1.80	GFA69 GFAF69 GF69 GFF69			6P					1.2			1247	1053	17	1.30	GFA79R39 GFAF79R39 GF79R39 GFF79R39			4P		4.4		375			195.39	12							2.10	1.4	1078	910	17	1.50			GFA79R39 GFAF79R39 GF79R39 GFF79R39			4P	5.0			328	170.85	12			2.40	1.6	959	810					18	1.65			GFA79R39 GFAF79R39 GF79R39 GFF79R39	4P	5.7	285			228.99	12	2.80	1.8	841	710							18	1.90	GFA79R39 GFAF79R39 GF79R39 GFF79R39	4P	6.7	244			195.39	12	3.20	2.1			728	615					18	2.20			GFA79R39 GFAF79R39 GF79R39 GFF79R39	4P	7.7	213			170.85	12	3.70												GFA59 GFAF59 GF59 GFF59	6P	4.3	384			199.70	10			1.50										GFA59 GFAF59 GF59 GFF59	6P			4.6	353			183.60	10	1.65												GFA59 GFAF59 GF59 GFF59	6P			5.4	302	157.09	11			1.95												GFA59 GFAF59 GF59 GFF59	6P	6.2	262			136.16	11	2.20												GFA59 GFAF59 GF59 GFF59	6P			6.7	245	127.27	11	2.40										GFA59 GFAF59 GF59 GFF59	6P	7.7	211	110.01	11	2.80																																																																																																																																																																																																																																																																																																																																																																																																																																																																																													
0.60	2604	2199	24	1.20								GFA89R59 GFAF89R59 GF89R59	4P		6.0	257	217	7.1	1.65	0.68	2286	1930	25	1.40									GFA89R59 GFAF89R59 GF89R59	4P	6.9	225	190	7.3	1.85	0.77	2024	1709	25	1.60			GFA89R59 GFAF89R59 GF89R59	4P							7.4	211	178	7.4	2.00	0.88	1768	1493					26	1.80	GFA89R59 GFAF89R59 GF89R59	4P					7.0	220	186	4.0	0.95	GFF39R19 GFAF39R19 GF39R19 GFF39R19					4P	1.1	1360	1148	27	2.35					GFA89R59 GFAF89R59 GF89R59	4P	7.8	198					167	4.2	1.05			1.3	1196	1010	27	2.65					GFA89R59 GFAF89R59 GF89R59	4P					9.0	172	145	4.5	1.20					1.5	1050	887	28	3.00	GFA89R59 GFAF89R59 GF89R59	4P									10			153	129	4.7	1.40	1.7	924	780	28	3.45			GFA89R59 GFAF89R59 GF89R59	4P				3.0	541				281.71	19	2.70	GFA79 GFAF79 GF79 GFF79	6P	0.85	1829	1544			13	0.85	GFA79R39 GFAF79R39 GF79R39 GFF79R39		4P				3.2	505	262.93	19			2.90	1.0	1604					1354			15	1.00	GFA79R39 GFAF79R39 GF79R39 GFF79R39	4P			3.8		434	225.79		19					3.40	1.1			1421		1200	16		1.10	GFA79R39 GFAF79R39 GF79R39 GFF79R39	4P	3.7			440		228.99				12	1.80	GFA69 GFAF69 GF69 GFF69	6P	1.2					1247	1053	17	1.30	GFA79R39 GFAF79R39 GF79R39 GFF79R39	4P	4.4	375					195.39	12			2.10	1.4	1078						910	17		1.50			GFA79R39 GFAF79R39 GF79R39 GFF79R39	4P	5.0	328						170.85		12	2.40	1.6	959	810				18	1.65		GFA79R39 GFAF79R39 GF79R39 GFF79R39	4P	5.7	285	228.99	12					2.80		1.8	841		710	18	1.90			GFA79R39 GFAF79R39 GF79R39 GFF79R39	4P	6.7	244					195.39	12	3.20	2.1			728	615			18	2.20	GFA79R39 GFAF79R39 GF79R39 GFF79R39	4P	7.7	213					170.85	12	3.70										GFA59 GFAF59 GF59 GFF59	6P			4.3	384	199.70	10			1.50												GFA59 GFAF59 GF59 GFF59	6P	4.6	353	183.60	10					1.65										GFA59 GFAF59 GF59 GFF59	6P	5.4	302	157.09	11					1.95										GFA59 GFAF59 GF59 GFF59	6P	6.2	262	136.16	11					2.20										GFA59 GFAF59 GF59 GFF59	6P			6.7	245	127.27	11			2.40												GFA59 GFAF59 GF59 GFF59	6P	7.7	211	110.01	11			2.80																																																																																																																																																																																																																																																																																																																																																																																																																																																																																																																											
0.68	2286	1930	25	1.40	GFA89R59 GFAF89R59 GF89R59	4P									6.9	225	190	7.3	1.85	0.77	2024	1709	25	1.60				GFA89R59 GFAF89R59 GF89R59	4P						7.4	211	178	7.4	2.00	0.88	1768	1493	26	1.80							GFA89R59 GFAF89R59 GF89R59	4P			7.0	220	186	4.0	0.95	GFF39R19 GFAF39R19 GF39R19 GFF39R19	4P	1.1			1360	1148	27	2.35							GFA89R59 GFAF89R59 GF89R59	4P	7.8	198	167				4.2	1.05		1.3	1196	1010	27	2.65							GFA89R59 GFAF89R59 GF89R59	4P			9.0	172	145	4.5	1.20			1.5	1050	887	28	3.00							GFA89R59 GFAF89R59 GF89R59	4P			10	153	129	4.7	1.40					1.7	924	780	28	3.45			GFA89R59 GFAF89R59 GF89R59	4P							3.0	541	281.71	19	2.70	GFA79 GFAF79 GF79 GFF79	6P	0.85	1829	1544	13	0.85	GFA79R39 GFAF79R39 GF79R39 GFF79R39	4P						3.2	505				262.93	19	2.90			1.0	1604	1354	15	1.00	GFA79R39 GFAF79R39 GF79R39 GFF79R39	4P							3.8	434	225.79	19			3.40	1.1	1421		1200	16		1.10			GFA79R39 GFAF79R39 GF79R39 GFF79R39	4P					3.7		440	228.99		12	1.80	GFA69 GFAF69 GF69 GFF69			6P	1.2			1247	1053	17	1.30	GFA79R39 GFAF79R39 GF79R39 GFF79R39	4P			4.4			375	195.39	12	2.10			1.4	1078			910					17	1.50	GFA79R39 GFAF79R39 GF79R39 GFF79R39	4P			5.0	328			170.85	12	2.40	1.6			959	810	18						1.65	GFA79R39 GFAF79R39 GF79R39 GFF79R39		4P	5.7	285			228.99	12			2.80			1.8	841	710	18	1.90	GFA79R39 GFAF79R39 GF79R39 GFF79R39	4P			6.7	244	195.39	12			3.20	2.1	728	615					18		2.20	GFA79R39 GFAF79R39 GF79R39 GFF79R39		4P	7.7	213	170.85	12			3.70												GFA59 GFAF59 GF59 GFF59	6P	4.3	384	199.70	10			1.50												GFA59 GFAF59 GF59 GFF59	6P	4.6	353	183.60	10					1.65								GFA59 GFAF59 GF59 GFF59	6P			5.4	302			157.09	11			1.95								GFA59 GFAF59 GF59 GFF59	6P			6.2	262			136.16	11			2.20								GFA59 GFAF59 GF59 GFF59	6P					6.7	245	127.27	11			2.40								GFA59 GFAF59 GF59 GFF59	6P					7.7	211	110.01	11			2.80																																																																																																																																																																																																																																																																																																																																																																																																																																																																																																																																																							
0.77	2024	1709	25	1.60			GFA89R59 GFAF89R59 GF89R59	4P							7.4	211	178	7.4	2.00	0.88	1768	1493	26	1.80			GFA89R59 GFAF89R59 GF89R59			4P					7.0	220	186	4.0	0.95	GFF39R19 GFAF39R19 GF39R19 GFF39R19	4P	1.1	1360	1148	27	2.35									GFA89R59 GFAF89R59 GF89R59	4P	7.8	198	167			4.2	1.05	1.3	1196	1010	27	2.65									GFA89R59 GFAF89R59 GF89R59	4P	9.0		172	145	4.5	1.20		1.5	1050	887	28	3.00									GFA89R59 GFAF89R59 GF89R59	4P	10	153	129	4.7	1.40			1.7	924	780	28	3.45									GFA89R59 GFAF89R59 GF89R59	4P	3.0	541	281.71	19	2.70			GFA79 GFAF79 GF79 GFF79	6P	0.85	1829	1544	13	0.85							GFA79R39 GFAF79R39 GF79R39 GFF79R39	4P			3.2	505	262.93	19	2.90			1.0	1604	1354	15	1.00					GFA79R39 GFAF79R39 GF79R39 GFF79R39	4P		3.8	434				225.79	19	3.40			1.1	1421	1200	16	1.10				GFA79R39 GFAF79R39 GF79R39 GFF79R39		4P			3.7	440	228.99	12			1.80	GFA69 GFAF69 GF69 GFF69	6P		1.2	1247		1053	17	1.30							GFA79R39 GFAF79R39 GF79R39 GFF79R39	4P	4.4	375	195.39	12	2.10					1.4	1078	910	17	1.50	GFA79R39 GFAF79R39 GF79R39 GFF79R39	4P					5.0			328	170.85	12	2.40			1.6	959			810	18	1.65			GFA79R39 GFAF79R39 GF79R39 GFF79R39	4P					5.7	285			228.99	12	2.80	1.8	841	710	18	1.90	GFA79R39 GFAF79R39 GF79R39 GFF79R39					4P	6.7		244		195.39	12			3.20	2.1		728	615		18	2.20	GFA79R39 GFAF79R39 GF79R39 GFF79R39	4P	7.7	213					170.85	12	3.70								GFA59 GFAF59 GF59 GFF59	6P			4.3		384				199.70	10	1.50										GFA59 GFAF59 GF59 GFF59	6P	4.6	353					183.60	10	1.65										GFA59 GFAF59 GF59 GFF59	6P	5.4	302					157.09	11	1.95								GFA59 GFAF59 GF59 GFF59	6P			6.2	262					136.16	11	2.20								GFA59 GFAF59 GF59 GFF59	6P			6.7	245					127.27	11	2.40								GFA59 GFAF59 GF59 GFF59	6P	7.7			211					110.01	11	2.80																																																																																																																																																																																																																																																																																																																																																																																																																																																																																																																																																																																	
0.88	1768	1493	26	1.80					GFA89R59 GFAF89R59 GF89R59	4P					7.0	220	186	4.0	0.95	GFF39R19 GFAF39R19 GF39R19 GFF39R19	4P																																																																																																																																																																																																																																																																																																																																																																																																																																																																																																																																																																																																																																																																																																																																																																																																																																																																																																																																																																																																	
1.1	1360	1148	27	2.35							GFA89R59 GFAF89R59 GF89R59			4P	7.8	198	167	4.2	1.05			1.3	1196	1010	27	2.65					GFA89R59 GFAF89R59 GF89R59	4P			9.0	172	145	4.5	1.20			1.5	1050	887	28	3.00			GFA89R59 GFAF89R59 GF89R59	4P			10	153			129	4.7	1.40			1.7	924	780	28	3.45	GFA89R59 GFAF89R59 GF89R59	4P			3.0	541	281.71	19					2.70		GFA79 GFAF79 GF79 GFF79	6P	0.85	1829		1544	13	0.85	GFA79R39 GFAF79R39 GF79R39 GFF79R39	4P	3.2	505	262.93	19							2.90	1.0	1604	1354	15	1.00	GFA79R39 GFAF79R39 GF79R39 GFF79R39	4P	3.8	434	225.79	19	3.40	1.1	1421	1200							16	1.10	GFA79R39 GFAF79R39 GF79R39 GFF79R39	4P	3.7	440	228.99			12	1.80	GFA69 GFAF69 GF69 GFF69	6P	1.2					1247	1053			17	1.30	GFA79R39 GFAF79R39 GF79R39 GFF79R39	4P	4.4	375	195.39			12	2.10	1.4	1078	910							17	1.50	GFA79R39 GFAF79R39 GF79R39 GFF79R39	4P	5.0	328	170.85	12	2.40			1.6	959	810	18	1.65							GFA79R39 GFAF79R39 GF79R39 GFF79R39	4P	5.7	285	228.99	12	2.80	1.8	841			710	18	1.90	GFA79R39 GFAF79R39 GF79R39 GFF79R39	4P	6.7	244					195.39	12			3.20	2.1	728	615	18		2.20	GFA79R39 GFAF79R39 GF79R39 GFF79R39		4P	7.7	213	170.85	12							3.70						GFA59 GFAF59 GF59 GFF59	6P	4.3	384	199.70			10	1.50												GFA59 GFAF59 GF59 GFF59	6P	4.6	353	183.60	10	1.65							GFA59 GFAF59 GF59 GFF59	6P		5.4		302		157.09	11			1.95						GFA59 GFAF59 GF59 GFF59	6P			6.2	262			136.16	11	2.20								GFA59 GFAF59 GF59 GFF59	6P			6.7	245	127.27	11	2.40										GFA59 GFAF59 GF59 GFF59	6P	7.7	211	110.01	11			2.80																																																																																																																																																																																																																																																																																																																																																																																																																																																																																																																																																																																																																																																																									
1.3	1196	1010	27	2.65								GFA89R59 GFAF89R59 GF89R59	4P		9.0	172	145	4.5	1.20			1.5	1050	887	28	3.00							GFA89R59 GFAF89R59 GF89R59	4P	10	153	129	4.7	1.40			1.7	924	780	28	3.45	GFA89R59 GFAF89R59 GF89R59	4P					3.0	541			281.71	19	2.70			GFA79 GFAF79 GF79 GFF79	6P	0.85	1829	1544			13	0.85	GFA79R39 GFAF79R39 GF79R39 GFF79R39	4P	3.2	505					262.93	19			2.90	1.0	1604	1354	15	1.00			GFA79R39 GFAF79R39 GF79R39 GFF79R39	4P	3.8	434	225.79	19					3.40	1.1	1421	1200	16	1.10			GFA79R39 GFAF79R39 GF79R39 GFF79R39	4P	3.7	440	228.99	12	1.80	GFA69 GFAF69 GF69 GFF69	6P	1.2					1247	1053			17	1.30	GFA79R39 GFAF79R39 GF79R39 GFF79R39			4P	4.4			375	195.39	12			2.10	1.4			1078	910			17	1.50	GFA79R39 GFAF79R39 GF79R39 GFF79R39			4P	5.0	328	170.85	12			2.40	1.6			959	810			18	1.65	GFA79R39 GFAF79R39 GF79R39 GFF79R39	4P	5.7	285	228.99	12	2.80	1.8	841	710			18		1.90				GFA79R39 GFAF79R39 GF79R39 GFF79R39	4P	6.7	244	195.39	12	3.20			2.1	728	615			18	2.20			GFA79R39 GFAF79R39 GF79R39 GFF79R39	4P	7.7	213			170.85	12	3.70										GFA59 GFAF59 GF59 GFF59	6P					4.3	384	199.70	10	1.50								GFA59 GFAF59 GF59 GFF59	6P	4.6	353	183.60	10	1.65												GFA59 GFAF59 GF59 GFF59	6P	5.4	302	157.09	11	1.95												GFA59 GFAF59 GF59 GFF59	6P	6.2	262	136.16	11	2.20												GFA59 GFAF59 GF59 GFF59	6P	6.7	245	127.27	11	2.40										GFA59 GFAF59 GF59 GFF59	6P	7.7		211		110.01	11	2.80																																																																																																																																																																																																																																																																																																																																																																																																																																																																																																																																																																																																																																																																																					
1.5	1050	887	28	3.00	GFA89R59 GFAF89R59 GF89R59	4P									10	153	129	4.7	1.40			1.7	924	780	28	3.45		GFA89R59 GFAF89R59 GF89R59	4P						3.0	541	281.71	19	2.70			GFA79 GFAF79 GF79 GFF79	6P	0.85	1829	1544					13	0.85	GFA79R39 GFAF79R39 GF79R39 GFF79R39	4P			3.2	505	262.93	19	2.90			1.0	1604	1354			15	1.00			GFA79R39 GFAF79R39 GF79R39 GFF79R39	4P	3.8	434			225.79	19			3.40	1.1	1421	1200	16	1.10					GFA79R39 GFAF79R39 GF79R39 GFF79R39	4P	3.7	440	228.99	12			1.80	GFA69 GFAF69 GF69 GFF69	6P	1.2	1247	1053					17	1.30	GFA79R39 GFAF79R39 GF79R39 GFF79R39	4P	4.4			375	195.39	12			2.10	1.4			1078	910					17			1.50	GFA79R39 GFAF79R39 GF79R39 GFF79R39	4P	5.0	328	170.85	12			2.40	1.6			959	810		18	1.65		GFA79R39 GFAF79R39 GF79R39 GFF79R39	4P	5.7	285	228.99	12	2.80	1.8			841	710			18	1.90			GFA79R39 GFAF79R39 GF79R39 GFF79R39	4P	6.7	244	195.39	12	3.20	2.1	728	615	18		2.20						GFA79R39 GFAF79R39 GF79R39 GFF79R39	4P	7.7	213	170.85			12	3.70										GFA59 GFAF59 GF59 GFF59	6P			4.3	384	199.70	10	1.50												GFA59 GFAF59 GF59 GFF59	6P	4.6	353	183.60	10	1.65										GFA59 GFAF59 GF59 GFF59	6P	5.4	302	157.09	11			1.95										GFA59 GFAF59 GF59 GFF59	6P	6.2	262	136.16	11		2.20											GFA59 GFAF59 GF59 GFF59	6P	6.7	245	127.27	11	2.40												GFA59 GFAF59 GF59 GFF59	6P	7.7	211	110.01	11	2.80																																																																																																																																																																																																																																																																																																																																																																																																																																																																																																																																																																																																																																																																																																					
1.7	924	780	28	3.45			GFA89R59 GFAF89R59 GF89R59	4P							3.0	541	281.71	19	2.70			GFA79 GFAF79 GF79 GFF79	6P																																																																																																																																																																																																																																																																																																																																																																																																																																																																																																																																																																																																																																																																																																																																																																																																																																																																																																																																																																																															
0.85	1829	1544	13	0.85					GFA79R39 GFAF79R39 GF79R39 GFF79R39	4P					3.2	505	262.93	19	2.90	1.0	1604			1354	15	1.00	GFA79R39 GFAF79R39 GF79R39 GFF79R39			4P					3.8	434	225.79	19	3.40	1.1	1421			1200	16	1.10					GFA79R39 GFAF79R39 GF79R39 GFF79R39	4P			3.7	440	228.99	12	1.80	GFA69 GFAF69 GF69 GFF69	6P			1.2	1247	1053			17	1.30					GFA79R39 GFAF79R39 GF79R39 GFF79R39	4P	4.4	375	195.39	12			2.10	1.4	1078	910	17	1.50							GFA79R39 GFAF79R39 GF79R39 GFF79R39	4P	5.0	328	170.85	12	2.40			1.6	959	810					18	1.65			GFA79R39 GFAF79R39 GF79R39 GFF79R39			4P	5.7	285	228.99	12	2.80	1.8			841	710		18	1.90		GFA79R39 GFAF79R39 GF79R39 GFF79R39			4P			6.7	244	195.39	12	3.20	2.1	728	615			18	2.20		GFA79R39 GFAF79R39 GF79R39 GFF79R39	4P				7.7	213	170.85	12	3.70								GFA59 GFAF59 GF59 GFF59	6P					4.3	384	199.70	10	1.50						GFA59 GFAF59 GF59 GFF59	6P							4.6	353	183.60	10	1.65								GFA59 GFAF59 GF59 GFF59	6P					5.4	302	157.09	11	1.95								GFA59 GFAF59 GF59 GFF59	6P			6.2	262			136.16	11	2.20								GFA59 GFAF59 GF59 GFF59	6P					6.7	245	127.27	11	2.40						GFA59 GFAF59 GF59 GFF59	6P							7.7	211	110.01	11	2.80																																																																																																																																																																																																																																																																																																																																																																																																																																																																																																																																																																																																																																																																																																																																									
1.0	1604	1354	15	1.00							GFA79R39 GFAF79R39 GF79R39 GFF79R39			4P	3.8	434	225.79	19	3.40	1.1	1421			1200	16	1.10					GFA79R39 GFAF79R39 GF79R39 GFF79R39	4P			3.7	440	228.99	12	1.80	GFA69 GFAF69 GF69 GFF69	6P			1.2	1247	1053			17	1.30					GFA79R39 GFAF79R39 GF79R39 GFF79R39	4P	4.4	375	195.39					12	2.10	1.4	1078	910	17	1.50							GFA79R39 GFAF79R39 GF79R39 GFF79R39	4P	5.0	328	170.85	12	2.40	1.6	959	810	18	1.65	GFA79R39 GFAF79R39 GF79R39 GFF79R39	4P							5.7	285	228.99	12	2.80			1.8	841	710	18	1.90			GFA79R39 GFAF79R39 GF79R39 GFF79R39	4P							6.7	244	195.39	12	3.20	2.1	728	615	18	2.20		GFA79R39 GFAF79R39 GF79R39 GFF79R39	4P			7.7	213				170.85	12	3.70						GFA59 GFAF59 GF59 GFF59	6P	4.3	384							199.70	10	1.50						GFA59 GFAF59 GF59 GFF59	6P	4.6	353							183.60	10	1.65						GFA59 GFAF59 GF59 GFF59	6P			5.4	302					157.09	11	1.95						GFA59 GFAF59 GF59 GFF59	6P	6.2	262							136.16	11	2.20						GFA59 GFAF59 GF59 GFF59	6P	6.7	245					127.27	11			2.40						GFA59 GFAF59 GF59 GFF59	6P	7.7	211							110.01	11	2.80																																																																																																																																																																																																																																																																																																																																																																																																																																																																																																																																																																																																																																																																																																																																																													
1.1	1421	1200	16	1.10								GFA79R39 GFAF79R39 GF79R39 GFF79R39	4P		3.7	440	228.99	12	1.80	GFA69 GFAF69 GF69 GFF69	6P																																																																																																																																																																																																																																																																																																																																																																																																																																																																																																																																																																																																																																																																																																																																																																																																																																																																																																																																																																																																	
1.2	1247	1053	17	1.30	GFA79R39 GFAF79R39 GF79R39 GFF79R39	4P									4.4	375	195.39	12	2.10					1.4	1078	910		17	1.50				GFA79R39 GFAF79R39 GF79R39 GFF79R39	4P	5.0	328	170.85	12	2.40			1.6	959	810	18	1.65	GFA79R39 GFAF79R39 GF79R39 GFF79R39	4P	5.7	285			228.99	12			2.80	1.8	841			710	18	1.90	GFA79R39 GFAF79R39 GF79R39 GFF79R39	4P	6.7	244	195.39	12	3.20	2.1	728	615					18	2.20	GFA79R39 GFAF79R39 GF79R39 GFF79R39	4P	7.7	213	170.85	12	3.70										GFA59 GFAF59 GF59 GFF59	6P	4.3	384	199.70	10	1.50						GFA59 GFAF59 GF59 GFF59	6P			4.6	353		183.60	10		1.65						GFA59 GFAF59 GF59 GFF59	6P	5.4	302	157.09			11		1.95							GFA59 GFAF59 GF59 GFF59	6P	6.2	262	136.16	11			2.20								GFA59 GFAF59 GF59 GFF59	6P	6.7	245	127.27	11	2.40										GFA59 GFAF59 GF59 GFF59	6P	7.7	211	110.01	11	2.80																																																																																																																																																																																																																																																																																																																																																																																																																																																																																																																																																																																																																																																																																																																																																																																																																																			
1.4	1078	910	17	1.50			GFA79R39 GFAF79R39 GF79R39 GFF79R39	4P							5.0	328	170.85	12	2.40			1.6	959	810	18	1.65		GFA79R39 GFAF79R39 GF79R39 GFF79R39	4P						5.7	285	228.99	12	2.80			1.8	841	710	18	1.90			GFA79R39 GFAF79R39 GF79R39 GFF79R39	4P			6.7	244			195.39	12	3.20			2.1	728	615			18	2.20	GFA79R39 GFAF79R39 GF79R39 GFF79R39	4P	7.7	213	170.85	12					3.70								GFA59 GFAF59 GF59 GFF59	6P			4.3	384	199.70	10					1.50						GFA59 GFAF59 GF59 GFF59	6P	4.6	353					183.60	10		1.65							GFA59 GFAF59 GF59 GFF59	6P			5.4	302	157.09			11		1.95									GFA59 GFAF59 GF59 GFF59	6P	6.2	262			136.16	11	2.20										GFA59 GFAF59 GF59 GFF59	6P	6.7	245			127.27	11			2.40								GFA59 GFAF59 GF59 GFF59	6P	7.7	211					110.01	11	2.80																																																																																																																																																																																																																																																																																																																																																																																																																																																																																																																																																																																																																																																																																																																																																																																																																									
1.6	959	810	18	1.65					GFA79R39 GFAF79R39 GF79R39 GFF79R39	4P					5.7	285	228.99	12	2.80			1.8	841	710	18	1.90	GFA79R39 GFAF79R39 GF79R39 GFF79R39			4P					6.7	244	195.39	12	3.20			2.1	728	615	18	2.20					GFA79R39 GFAF79R39 GF79R39 GFF79R39	4P	7.7	213			170.85	12	3.70								GFA59 GFAF59 GF59 GFF59	6P			4.3	384	199.70	10	1.50										GFA59 GFAF59 GF59 GFF59	6P					4.6	353	183.60	10	1.65								GFA59 GFAF59 GF59 GFF59	6P			5.4	302					157.09	11	1.95						GFA59 GFAF59 GF59 GFF59	6P					6.2	262	136.16			11	2.20						GFA59 GFAF59 GF59 GFF59	6P					6.7	245			127.27	11	2.40								GFA59 GFAF59 GF59 GFF59	6P			7.7	211			110.01	11	2.80																																																																																																																																																																																																																																																																																																																																																																																																																																																																																																																																																																																																																																																																																																																																																																																																																																													
1.8	841	710	18	1.90							GFA79R39 GFAF79R39 GF79R39 GFF79R39			4P	6.7	244	195.39	12	3.20			2.1	728	615	18	2.20					GFA79R39 GFAF79R39 GF79R39 GFF79R39	4P			7.7	213	170.85	12	3.70						GFA59 GFAF59 GF59 GFF59	6P							4.3	384	199.70	10	1.50						GFA59 GFAF59 GF59 GFF59	6P							4.6	353	183.60	10	1.65								GFA59 GFAF59 GF59 GFF59	6P					5.4	302	157.09	11	1.95								GFA59 GFAF59 GF59 GFF59	6P					6.2	262			136.16	11	2.20						GFA59 GFAF59 GF59 GFF59	6P							6.7	245	127.27	11	2.40						GFA59 GFAF59 GF59 GFF59	6P							7.7	211	110.01	11	2.80																																																																																																																																																																																																																																																																																																																																																																																																																																																																																																																																																																																																																																																																																																																																																																																																																																																																	
2.1	728	615	18	2.20								GFA79R39 GFAF79R39 GF79R39 GFF79R39	4P		7.7	213	170.85	12	3.70						GFA59 GFAF59 GF59 GFF59	6P									4.3	384	199.70	10	1.50														GFA59 GFAF59 GF59 GFF59	6P	4.6	353	183.60	10	1.65														GFA59 GFAF59 GF59 GFF59	6P	5.4	302	157.09	11	1.95														GFA59 GFAF59 GF59 GFF59	6P	6.2	262			136.16	11							2.20								GFA59 GFAF59 GF59 GFF59	6P	6.7	245									127.27	11	2.40						GFA59 GFAF59 GF59 GFF59	6P									7.7	211	110.01	11	2.80																																																																																																																																																																																																																																																																																																																																																																																																																																																																																																																																																																																																																																																																																																																																																																																																																																																																	
					GFA59 GFAF59 GF59 GFF59	6P									4.3	384	199.70	10	1.50														GFA59 GFAF59 GF59 GFF59	6P	4.6	353	183.60	10	1.65								GFA59 GFAF59 GF59 GFF59	6P							5.4	302	157.09	11	1.95												GFA59 GFAF59 GF59 GFF59	6P			6.2	262	136.16	11	2.20												GFA59 GFAF59 GF59 GFF59	6P			6.7	245	127.27	11	2.40												GFA59 GFAF59 GF59 GFF59	6P	7.7	211			110.01	11							2.80																																																																																																																																																																																																																																																																																																																																																																																																																																																																																																																																																																																																																																																																																																																																																																																																																																																																																									
							GFA59 GFAF59 GF59 GFF59	6P							4.6	353	183.60	10	1.65									GFA59 GFAF59 GF59 GFF59	6P						5.4	302	157.09	11	1.95										GFA59 GFAF59 GF59 GFF59	6P					6.2	262	136.16	11	2.20										GFA59 GFAF59 GF59 GFF59	6P					6.7	245	127.27	11	2.40										GFA59 GFAF59 GF59 GFF59	6P					7.7	211	110.01	11	2.80																																																																																																																																																																																																																																																																																																																																																																																																																																																																																																																																																																																																																																																																																																																																																																																																																																																																																																																			
									GFA59 GFAF59 GF59 GFF59	6P					5.4	302	157.09	11	1.95								GFA59 GFAF59 GF59 GFF59			6P					6.2	262	136.16	11	2.20												GFA59 GFAF59 GF59 GFF59	6P			6.7	245	127.27	11	2.40								GFA59 GFAF59 GF59 GFF59	6P							7.7	211	110.01	11	2.80																																																																																																																																																																																																																																																																																																																																																																																																																																																																																																																																																																																																																																																																																																																																																																																																																																																																																																																																							
											GFA59 GFAF59 GF59 GFF59			6P	6.2	262	136.16	11	2.20												GFA59 GFAF59 GF59 GFF59	6P			6.7	245	127.27	11	2.40						GFA59 GFAF59 GF59 GFF59	6P									7.7	211	110.01	11	2.80																																																																																																																																																																																																																																																																																																																																																																																																																																																																																																																																																																																																																																																																																																																																																																																																																																																																																																																																																											
												GFA59 GFAF59 GF59 GFF59	6P		6.7	245	127.27	11	2.40						GFA59 GFAF59 GF59 GFF59	6P									7.7	211	110.01	11	2.80																																																																																																																																																																																																																																																																																																																																																																																																																																																																																																																																																																																																																																																																																																																																																																																																																																																																																																																																																																															
					GFA59 GFAF59 GF59 GFF59	6P									7.7	211	110.01	11	2.80																																																																																																																																																																																																																																																																																																																																																																																																																																																																																																																																																																																																																																																																																																																																																																																																																																																																																																																																																																																																			

GF 系列平行轴-斜齿轮减速电机

选型参数表

Selection Table

(恒功率) 0.18kW-0.25kW

(Constant Power) 0.18kW-0.25kW

n _a [r/min]	M _a [Nm]	i	F _{Ra} [kN]	f _B	机型号 Type size	极数 Pole	n _a [r/min]	M _a [Nm]	i	F _{Ra} [kN]	f _B	机型号 Type size	极数 Pole																																																																																																																																																																																																																																																																																																																																																																																																																																																																																																																																																																																																																																										
0.18kW							0.25kW																																																																																																																																																																																																																																																																																																																																																																																																																																																																																																																																																																																																																																																
6.6	249	199.70	11	2.30	GFA59 GFAF59 GF59 GFF59	4P	1.2	1860	1148	26	1.70	GFA89R59 GFAF89R59 GF89R59 GFF89R59	4P																																																																																																																																																																																																																																																																																																																																																																																																																																																																																																																																																																																																																																										
7.1	229	183.60	11	2.50			8.3	196	157.09	11	2.90			9.6	170	136.16	11	3.40	10.3	159	127.27	11	3.60	4.5	366	190.76	5.9	1.05	GFA49 GFAF49 GF49 GFF49	6P	1.3	1706	1053	14	0.90	GFA79R39 GFAF79R39 GF79R39 GFF79R39	4P	4.8	337	175.38	6.3	1.15	5.7	288	150.06	6.7	1.35	6.5	250	130.07	7.0	1.55	7.0	234	121.57	7.2	1.65	6.9	238	190.76	7.1	1.60	GFA49 GFAF49 GF49 GFF49	4P	2.2	996	615	17	1.55	GFA69R39 GFAF69R39 GF69R39 GFF69R39	4P	7.5	219	175.38	7.2	1.75	8.7	187	150.06	7.4	2.00	10.1	162	130.07	7.5	2.40	10.8	152	121.57	7.6	2.50	7.2	226	117.88	3.6	0.85	GFA39 GFAF39 GF39 GFF39	6P	2.3	927	572	9.0	0.90	GFA69R39 GFAF69R39 GF69R39 GFF69R39	4P	8.5	193	100.36	4.1	1.00	10	166	86.53	4.4	1.15	11	155	80.65	4.6	1.25	12	135	70.50	4.7	1.45	10	160	128.51	4.5	1.20	GFA39 GFAF39 GF39 GFF39	4P	2.7	810	500	10	1.05	GFA59R39 GFAF59R39 GF59R39 GFF59R39	4P	11	147	117.88	4.6	1.30	13	125	100.36	4.8	1.55	15	108	86.53	4.9	1.75	16	101	80.65	5.0	1.90	19	88	70.50	5.0	2.20	GFA39 GFAF39 GF39 GFF39	4P	2.9	736	454	10	1.15	GFA49R19 GFAF49R19 GF49R19 GFF49R19	4P	20	82	66.09	5.1	2.30	22	73	58.32	5.1	2.60	3.4	625	386	8.7	1.00	GFA49R19 GFAF49R19 GF49R19 GFF49R19	4P	3.9	548	338	9.3	1.15	5.2	413	255	10	1.50	3.5	619	382	8.3	1.00	GFA49R19 GFAF49R19 GF49R19 GFF49R19	4P	4.0	535	330	9.2	1.15	4.5	483	298	10	1.25	5.1	424	262	10	1.45	5.9	366	226	10	1.70	6.7	324	200	10	1.90	GFA49R19 GFAF49R19 GF49R19 GFF49R19	4P	7.8	275	170	11	2.25	5.3	403	249	5.7	1.00	GFA49R19 GFAF49R19 GF49R19 GFF49R19	4P	6.1	353	218	6.3	1.15	6.9	313	193	6.7	1.30	7.6	284	175	6.9	1.45	5.3	410	253	5.6	1.00	GFA49R19 GFAF49R19 GF49R19 GFF49R19	4P	6.1	352	217	6.2	1.20	7.0	308	190	6.6	1.35	7.5	288	178	6.8	1.45	8.9	241	149	7.1	1.70	10	212	131	7.3	1.95	GFA49R19 GFAF49R19 GF49R19 GFF49R19	4P	9.2	235	145	3.5	0.85	10	209	129	3.9	1.00	11	191	118	4.2	1.10	14	159	98	4.5	1.30	15	141	87	4.7	1.45	GFA49R19 GFAF49R19 GF49R19 GFF49R19	4P	3.0	752	281.71	18	1.95	3.2	702	262.93	18	2.10	3.8	602	225.79	19	2.50	4.3	529	198.31	19	2.80	4.5	503	188.40	19	2.90	GFA99R59 GFAF99R59 GF99R59 GFF99R59	4P	0.15	14292	8822	84	0.85	0.17	12368	7634	86	1.00	GFA129R79 GFAF129R79 GF129R79 GFF129R79	4P	0.20	10868	6708	86	1.15	0.22	9589	5919	86	1.30	0.26	8339	5147	86	1.50	0.29	7336	4528	86	1.70	0.22	9646	5954	44	0.85	GFA109R79 GFAF109R79 GF109R79 GFF109R79	4P	0.25	8462	5223	47	0.95	0.29	7399	4567	49	1.10	0.38	5704	3521	53	1.40	0.44	4920	3037	54	1.65	0.48	4465	2756	55	1.80	GFA109R79 GFAF109R79 GF109R79 GFF109R79	4P	0.56	3838	2369	56	2.10	0.64	3350	2068	57	2.40	0.83	2587	1597	58	3.15	0.95	2270	1401	59	3.60	0.46	4710	2907	28	0.95	GFA109R79 GFAF109R79 GF109R79 GFF109R79	4P	0.52	4136	2553	29	1.05	0.59	3637	2245	30	1.20	0.68	3192	1970	31	1.40	0.77	2791	1723	32	1.60	0.87	2475	1528	33	1.80	GFA99R59 GFAF99R59 GF99R59 GFF99R59	4P	1.0	2150	1327	34	2.10	1.1	1897	1171	34	2.35	1.3	1656	1022	34	2.70	0.69	3127	1930	17	1.00	GFA89R59 GFAF89R59 GF89R59 GFF89R59	4P	0.78	2769	1709	23	1.10	0.89	2419	1493	24	1.30	1.0	2106	1300	25	1.50																																																																																																																													
8.3	196	157.09	11	2.90			9.6	170	136.16	11	3.40			10.3	159	127.27	11	3.60	4.5	366	190.76	5.9	1.05	GFA49 GFAF49 GF49 GFF49	6P	1.3	1706	1053			14	0.90	GFA79R39 GFAF79R39 GF79R39 GFF79R39	4P	4.8			337	175.38	6.3	1.15	5.7	288	150.06	6.7	1.35	6.5	250	130.07	7.0	1.55	7.0	234	121.57	7.2	1.65	6.9	238	190.76	7.1	1.60	GFA49 GFAF49 GF49 GFF49			4P	2.2	996	615	17			1.55	GFA69R39 GFAF69R39 GF69R39 GFF69R39	4P	7.5	219	175.38	7.2	1.75	8.7	187	150.06	7.4	2.00	10.1	162	130.07	7.5	2.40	10.8	152	121.57	7.6	2.50	7.2	226			117.88	3.6	0.85	GFA39 GFAF39 GF39 GFF39	6P			2.3	927	572	9.0	0.90	GFA69R39 GFAF69R39 GF69R39 GFF69R39	4P	8.5	193	100.36	4.1	1.00	10	166	86.53	4.4	1.15	11	155	80.65	4.6	1.25	12	135	70.50			4.7	1.45	10	160	128.51			4.5	1.20	GFA39 GFAF39 GF39 GFF39	4P	2.7	810	500	10	1.05	GFA59R39 GFAF59R39 GF59R39 GFF59R39	4P	11	147	117.88	4.6	1.30	13	125	100.36	4.8	1.55	15	108	86.53	4.9			1.75	16	101	80.65	5.0			1.90	19	88	70.50	5.0	2.20	GFA39 GFAF39 GF39 GFF39	4P	2.9	736	454	10	1.15	GFA49R19 GFAF49R19 GF49R19 GFF49R19	4P			20	82	66.09	5.1	2.30	22	73	58.32	5.1	2.60	3.4	625	386	8.7	1.00			GFA49R19 GFAF49R19 GF49R19 GFF49R19	4P	3.9	548	338	9.3	1.15	5.2	413	255	10	1.50	3.5	619	382	8.3	1.00	GFA49R19 GFAF49R19 GF49R19 GFF49R19	4P	4.0	535	330	9.2	1.15	4.5			483	298	10	1.25	5.1	424	262	10	1.45	5.9			366	226	10	1.70	6.7	324	200	10	1.90	GFA49R19 GFAF49R19 GF49R19 GFF49R19	4P	7.8	275	170	11	2.25	5.3	403	249	5.7			1.00	GFA49R19 GFAF49R19 GF49R19 GFF49R19	4P	6.1	353	218	6.3	1.15	6.9	313	193	6.7	1.30	7.6	284	175	6.9	1.45	5.3	410	253	5.6	1.00	GFA49R19 GFAF49R19 GF49R19 GFF49R19	4P			6.1	352	217	6.2	1.20	7.0	308	190	6.6	1.35	7.5	288	178	6.8	1.45	8.9	241	149	7.1	1.70	10	212	131	7.3	1.95			GFA49R19 GFAF49R19 GF49R19 GFF49R19	4P	9.2	235	145	3.5	0.85	10	209	129	3.9	1.00	11	191	118	4.2	1.10	14	159	98	4.5	1.30	15	141	87			4.7	1.45	GFA49R19 GFAF49R19 GF49R19 GFF49R19	4P	3.0	752	281.71	18	1.95	3.2			702	262.93	18	2.10	3.8	602	225.79	19	2.50	4.3	529	198.31	19	2.80	4.5	503	188.40	19	2.90	GFA99R59 GFAF99R59 GF99R59 GFF99R59	4P	0.15	14292	8822	84			0.85	0.17	12368	7634	86	1.00	GFA129R79 GFAF129R79 GF129R79 GFF129R79	4P	0.20	10868	6708	86	1.15	0.22	9589	5919	86	1.30	0.26	8339	5147	86	1.50	0.29	7336			4528	86	1.70	0.22	9646	5954	44	0.85	GFA109R79 GFAF109R79 GF109R79 GFF109R79	4P	0.25	8462	5223	47	0.95	0.29	7399	4567	49	1.10	0.38	5704	3521	53	1.40			0.44	4920	3037	54	1.65	0.48	4465	2756	55	1.80	GFA109R79 GFAF109R79 GF109R79 GFF109R79	4P	0.56	3838	2369	56	2.10	0.64	3350	2068	57	2.40	0.83	2587	1597			58	3.15	0.95	2270	1401	59	3.60	0.46	4710	2907	28	0.95	GFA109R79 GFAF109R79 GF109R79 GFF109R79	4P	0.52	4136	2553	29	1.05	0.59			3637	2245	30	1.20	0.68	3192	1970	31	1.40	0.77	2791	1723	32	1.60	0.87	2475	1528	33	1.80	GFA99R59 GFAF99R59 GF99R59 GFF99R59	4P	1.0	2150	1327	34	2.10	1.1	1897	1171	34	2.35	1.3	1656	1022	34	2.70	0.69	3127	1930	17	1.00	GFA89R59 GFAF89R59 GF89R59 GFF89R59	4P	0.78	2769	1709	23	1.10	0.89	2419	1493	24	1.30	1.0	2106	1300	25	1.50																																																																																		
9.6	170	136.16	11	3.40			10.3	159	127.27	11	3.60			4.5	366	190.76	5.9	1.05	GFA49 GFAF49 GF49 GFF49	6P	1.3	1706	1053			14	0.90	GFA79R39 GFAF79R39 GF79R39 GFF79R39			4P	4.8			337			175.38	6.3	1.15	5.7	288	150.06	6.7	1.35	6.5	250	130.07	7.0	1.55	7.0	234	121.57	7.2	1.65	6.9	238	190.76	7.1	1.60	GFA49 GFAF49 GF49 GFF49					4P	2.2	996	615			17			1.55	GFA69R39 GFAF69R39 GF69R39 GFF69R39	4P	7.5	219	175.38	7.2	1.75	8.7	187	150.06	7.4	2.00	10.1	162	130.07	7.5	2.40	10.8	152	121.57	7.6			2.50	7.2	226					117.88	3.6	0.85	GFA39 GFAF39 GF39 GFF39	6P			2.3	927	572	9.0	0.90	GFA69R39 GFAF69R39 GF69R39 GFF69R39	4P	8.5	193	100.36	4.1	1.00	10	166	86.53	4.4	1.15	11			155	80.65	4.6	1.25	12			135	70.50			4.7	1.45	10	160	128.51			4.5	1.20	GFA39 GFAF39 GF39 GFF39	4P	2.7	810	500	10	1.05	GFA59R39 GFAF59R39 GF59R39 GFF59R39	4P	11	147	117.88			4.6	1.30	13	125	100.36			4.8	1.55	15	108	86.53	4.9			1.75	16	101	80.65	5.0					1.90	19	88	70.50	5.0	2.20	GFA39 GFAF39 GF39 GFF39	4P	2.9	736	454	10	1.15	GFA49R19 GFAF49R19 GF49R19 GFF49R19	4P					20	82	66.09	5.1	2.30	22	73	58.32	5.1	2.60	3.4	625	386	8.7	1.00			GFA49R19 GFAF49R19 GF49R19 GFF49R19	4P	3.9	548	338	9.3			1.15	5.2	413	255	10	1.50	3.5	619	382	8.3			1.00	GFA49R19 GFAF49R19 GF49R19 GFF49R19	4P	4.0	535	330	9.2	1.15	4.5			483	298	10	1.25	5.1	424	262	10	1.45			5.9			366	226	10	1.70	6.7	324	200	10	1.90	GFA49R19 GFAF49R19 GF49R19 GFF49R19	4P	7.8	275	170	11	2.25	5.3	403	249	5.7					1.00	GFA49R19 GFAF49R19 GF49R19 GFF49R19	4P	6.1	353	218	6.3	1.15	6.9	313	193	6.7	1.30	7.6	284	175	6.9	1.45	5.3	410	253	5.6	1.00	GFA49R19 GFAF49R19 GF49R19 GFF49R19	4P					6.1	352	217	6.2	1.20	7.0	308	190	6.6	1.35	7.5	288	178	6.8	1.45	8.9	241	149	7.1	1.70	10	212	131			7.3	1.95			GFA49R19 GFAF49R19 GF49R19 GFF49R19	4P	9.2	235	145	3.5			0.85	10	209	129	3.9	1.00	11	191	118	4.2	1.10	14	159	98	4.5	1.30	15	141	87			4.7	1.45	GFA49R19 GFAF49R19 GF49R19 GFF49R19	4P			3.0	752	281.71	18	1.95	3.2			702	262.93	18	2.10	3.8	602	225.79	19	2.50	4.3	529	198.31	19	2.80	4.5	503	188.40			19	2.90	GFA99R59 GFAF99R59 GF99R59 GFF99R59	4P	0.15	14292	8822	84			0.85	0.17	12368	7634	86	1.00	GFA129R79 GFAF129R79 GF129R79 GFF129R79	4P	0.20	10868	6708	86	1.15	0.22	9589			5919	86	1.30	0.26	8339	5147	86	1.50	0.29	7336			4528	86	1.70	0.22	9646	5954	44	0.85	GFA109R79 GFAF109R79 GF109R79 GFF109R79	4P	0.25	8462	5223			47	0.95	0.29	7399	4567	49	1.10	0.38	5704	3521	53	1.40			0.44	4920	3037	54	1.65	0.48			4465	2756	55	1.80	GFA109R79 GFAF109R79 GF109R79 GFF109R79	4P	0.56	3838	2369	56	2.10	0.64	3350	2068	57	2.40	0.83	2587	1597			58	3.15	0.95	2270	1401	59	3.60	0.46	4710	2907	28	0.95	GFA109R79 GFAF109R79 GF109R79 GFF109R79	4P	0.52	4136	2553	29	1.05	0.59			3637	2245	30	1.20	0.68	3192	1970	31	1.40	0.77	2791	1723	32	1.60	0.87	2475	1528	33	1.80	GFA99R59 GFAF99R59 GF99R59 GFF99R59	4P	1.0	2150	1327	34	2.10	1.1	1897	1171	34	2.35	1.3	1656	1022	34	2.70	0.69	3127	1930	17	1.00	GFA89R59 GFAF89R59 GF89R59 GFF89R59	4P	0.78	2769	1709	23	1.10	0.89	2419	1493	24	1.30	1.0	2106	1300	25	1.50																																							
10.3	159	127.27	11	3.60			4.5	366	190.76	5.9	1.05			GFA49 GFAF49 GF49 GFF49	6P	1.3	1706	1053			14	0.90	GFA79R39 GFAF79R39 GF79R39 GFF79R39			4P	4.8					337			175.38			6.3	1.15	5.7	288	150.06	6.7	1.35	6.5	250	130.07	7.0	1.55	7.0	234	121.57	7.2	1.65	6.9	238	190.76	7.1	1.60	GFA49 GFAF49 GF49 GFF49							4P	2.2	996			615			17			1.55	GFA69R39 GFAF69R39 GF69R39 GFF69R39	4P	7.5	219	175.38	7.2	1.75	8.7	187	150.06	7.4	2.00	10.1	162	130.07	7.5	2.40	10.8			152	121.57	7.6					2.50	7.2	226					117.88	3.6	0.85	GFA39 GFAF39 GF39 GFF39	6P			2.3	927	572	9.0	0.90	GFA69R39 GFAF69R39 GF69R39 GFF69R39	4P	8.5	193	100.36	4.1			1.00	10	166	86.53	4.4			1.15	11			155	80.65	4.6	1.25	12			135	70.50			4.7	1.45	10	160	128.51			4.5	1.20	GFA39 GFAF39 GF39 GFF39			4P	2.7	810	500	10			1.05	GFA59R39 GFAF59R39 GF59R39 GFF59R39	4P	11	147	117.88			4.6	1.30	13	125	100.36					4.8	1.55	15	108	86.53	4.9			1.75	16	101	80.65	5.0							1.90	19	88	70.50	5.0	2.20	GFA39 GFAF39 GF39 GFF39	4P	2.9	736	454	10	1.15	GFA49R19 GFAF49R19 GF49R19 GFF49R19	4P					20	82	66.09	5.1			2.30	22	73	58.32	5.1	2.60	3.4	625	386	8.7			1.00			GFA49R19 GFAF49R19 GF49R19 GFF49R19	4P	3.9	548	338	9.3			1.15	5.2	413	255	10	1.50	3.5	619	382			8.3			1.00	GFA49R19 GFAF49R19 GF49R19 GFF49R19	4P	4.0	535	330	9.2	1.15	4.5			483	298	10	1.25	5.1	424	262	10	1.45					5.9			366	226	10	1.70	6.7	324	200	10	1.90	GFA49R19 GFAF49R19 GF49R19 GFF49R19	4P	7.8	275	170	11	2.25	5.3	403	249	5.7							1.00	GFA49R19 GFAF49R19 GF49R19 GFF49R19	4P	6.1	353	218	6.3	1.15	6.9	313	193	6.7	1.30	7.6	284	175	6.9	1.45	5.3	410	253	5.6	1.00			GFA49R19 GFAF49R19 GF49R19 GFF49R19	4P					6.1	352	217	6.2			1.20	7.0	308	190	6.6	1.35	7.5	288	178	6.8	1.45	8.9	241	149	7.1	1.70	10	212	131			7.3	1.95					GFA49R19 GFAF49R19 GF49R19 GFF49R19	4P	9.2	235	145	3.5			0.85	10	209	129	3.9	1.00	11	191	118	4.2	1.10	14	159	98	4.5	1.30	15			141	87			4.7	1.45	GFA49R19 GFAF49R19 GF49R19 GFF49R19	4P			3.0	752	281.71	18	1.95	3.2			702	262.93	18	2.10	3.8	602	225.79			19	2.50	4.3	529	198.31	19	2.80	4.5	503	188.40			19	2.90	GFA99R59 GFAF99R59 GF99R59 GFF99R59	4P	0.15	14292	8822	84			0.85	0.17	12368			7634	86	1.00	GFA129R79 GFAF129R79 GF129R79 GFF129R79	4P	0.20	10868	6708	86	1.15	0.22	9589			5919	86	1.30	0.26	8339	5147			86	1.50	0.29	7336			4528	86	1.70	0.22	9646	5954	44	0.85	GFA109R79 GFAF109R79 GF109R79 GFF109R79	4P	0.25	8462	5223			47	0.95	0.29	7399	4567	49	1.10	0.38	5704	3521	53	1.40			0.44	4920	3037	54	1.65	0.48			4465	2756	55	1.80	GFA109R79 GFAF109R79 GF109R79 GFF109R79	4P	0.56	3838	2369	56	2.10	0.64	3350	2068	57	2.40	0.83	2587	1597			58	3.15	0.95	2270	1401	59	3.60	0.46	4710	2907	28	0.95	GFA109R79 GFAF109R79 GF109R79 GFF109R79	4P	0.52	4136	2553	29	1.05	0.59			3637	2245	30	1.20	0.68	3192	1970	31	1.40	0.77	2791	1723	32	1.60	0.87	2475	1528	33	1.80	GFA99R59 GFAF99R59 GF99R59 GFF99R59	4P	1.0	2150	1327	34	2.10	1.1	1897	1171	34	2.35	1.3	1656	1022	34	2.70	0.69	3127	1930	17	1.00	GFA89R59 GFAF89R59 GF89R59 GFF89R59	4P	0.78	2769	1709	23	1.10	0.89	2419	1493	24	1.30	1.0
4.5	366	190.76	5.9	1.05	GFA49 GFAF49 GF49 GFF49	6P	1.3	1706	1053	14	0.90	GFA79R39 GFAF79R39 GF79R39 GFF79R39	4P																																																																																																																																																																																																																																																																																																																																																																																																																																																																																																																																																																																																																																										
4.8	337	175.38	6.3	1.15			5.7	288	150.06	6.7	1.35					6.5	250	130.07			7.0	1.55					7.0		234	121.57		7.2			1.65	6.9	238	190.76	7.1	1.60	GFA49 GFAF49 GF49 GFF49	4P	2.2	996	615	17	1.55	GFA69R39 GFAF69R39 GF69R39 GFF69R39	4P	7.5	219	175.38	7.2	1.75	8.7	187	150.06	7.4	2.00				10.1	162				130.07	7.5	2.40	10.8	152			121.57			7.6			2.50	7.2	226	117.88	3.6	0.85	GFA39 GFAF39 GF39 GFF39	6P	2.3	927	572	9.0	0.90	GFA69R39 GFAF69R39 GF69R39 GFF69R39	4P	8.5	193	100.36	4.1	1.00	10			166	86.53	4.4	1.15	11					155	80.65	4.6					1.25	12	135	70.50	4.7			1.45	10	160	128.51	4.5	1.20	GFA39 GFAF39 GF39 GFF39	4P	2.7	810	500	10	1.05	GFA59R39 GFAF59R39 GF59R39 GFF59R39	4P			11	147	117.88	4.6	1.30			13	125			100.36	4.8	1.55	15	108			86.53	4.9		1.75	16		101	80.65	5.0	1.90	19	88	70.50			5.0	2.20	GFA39 GFAF39 GF39 GFF39			4P	2.9	736	454	10			1.15	GFA49R19 GFAF49R19 GF49R19 GFF49R19	4P	20	82	66.09	5.1	2.30			22	73	58.32	5.1	2.60			3.4	625			386	8.7	1.00	GFA49R19 GFAF49R19 GF49R19 GFF49R19	4P	3.9			548	338	9.3	1.15	5.2							413	255	10	1.50	3.5	619	382	8.3	1.00	GFA49R19 GFAF49R19 GF49R19 GFF49R19	4P	4.0	535	330	9.2	1.15	4.5	483	298					10	1.25	5.1	424			262	10	1.45	5.9	366	226	10	1.70	6.7	324	200	10			1.90			GFA49R19 GFAF49R19 GF49R19 GFF49R19	4P	7.8	275	170	11			2.25	5.3	403	249	5.7	1.00	GFA49R19 GFAF49R19 GF49R19 GFF49R19	4P	6.1			353	218	6.3			1.15	6.9	313	193	6.7	1.30	7.6	284	175			6.9	1.45	5.3	410	253	5.6	1.00	GFA49R19 GFAF49R19 GF49R19 GFF49R19	4P			6.1	352			217			6.2	1.20	7.0	308	190	6.6	1.35	7.5	288	178	6.8	1.45	8.9	241	149	7.1	1.70	10	212	131	7.3	1.95							GFA49R19 GFAF49R19 GF49R19 GFF49R19	4P	9.2	235	145	3.5	0.85	10	209	129	3.9	1.00	11	191	118	4.2	1.10	14	159	98	4.5	1.30	15	141	87			4.7	1.45			GFA49R19 GFAF49R19 GF49R19 GFF49R19	4P			3.0	752	281.71	18			1.95	3.2	702	262.93	18	2.10	3.8	602	225.79	19	2.50	4.3	529	198.31	19	2.80	4.5	503	188.40	19	2.90			GFA99R59 GFAF99R59 GF99R59 GFF99R59	4P					0.15	14292	8822	84	0.85	0.17			12368	7634	86	1.00	GFA129R79 GFAF129R79 GF129R79 GFF129R79	4P	0.20	10868	6708	86	1.15	0.22	9589	5919	86	1.30	0.26	8339	5147			86	1.50			0.29	7336	4528	86			1.70	0.22	9646	5954	44	0.85	GFA109R79 GFAF109R79 GF109R79 GFF109R79	4P			0.25	8462	5223	47	0.95	0.29	7399			4567	49	1.10	0.38	5704	3521	53	1.40	0.44	4920	3037	54			1.65	0.48	4465	2756	55	1.80	GFA109R79 GFAF109R79 GF109R79 GFF109R79	4P			0.56	3838	2369			56	2.10	0.64	3350	2068	57	2.40	0.83	2587	1597	58	3.15			0.95	2270	1401	59	3.60	0.46			4710	2907	28	0.95			GFA109R79 GFAF109R79 GF109R79 GFF109R79	4P	0.52	4136	2553	29	1.05	0.59	3637	2245	30	1.20	0.68			3192	1970	31	1.40	0.77	2791	1723	32	1.60	0.87	2475	1528			33	1.80	GFA99R59 GFAF99R59 GF99R59 GFF99R59	4P	1.0	2150			1327	34	2.10	1.1	1897	1171	34	2.35	1.3	1656	1022	34	2.70	0.69	3127	1930	17	1.00	GFA89R59 GFAF89R59 GF89R59 GFF89R59			4P	0.78	2769	1709	23	1.10	0.89	2419	1493	24	1.30	1.0	2106	1300	25	1.50																	
5.7	288	150.06	6.7	1.35			6.5	250	130.07	7.0	1.55					7.0	234	121.57			7.2	1.65		6.9	238		190.76		7.1	1.60		GFA49 GFAF49 GF49 GFF49	4P	2.2	996	615	17	1.55	GFA69R39 GFAF69R39 GF69R39 GFF69R39	4P			7.5	219	175.38	7.2	1.75			8.7	187	150.06	7.4	2.00	10.1	162	130.07	7.5	2.40			10.8	152	121.57	7.6			2.50	7.2	226	117.88	3.6	0.85	GFA39 GFAF39 GF39 GFF39	6P			2.3			927	572	9.0	0.90	GFA69R39 GFAF69R39 GF69R39 GFF69R39	4P			8.5	193	100.36	4.1	1.00			10	166	86.53	4.4	1.15	11	155	80.65	4.6	1.25	12	135	70.50			4.7	1.45	10	160	128.51					4.5	1.20	GFA39 GFAF39 GF39 GFF39	4P	2.7			810	500	10	1.05	GFA59R39 GFAF59R39 GF59R39 GFF59R39	4P			11	147	117.88	4.6	1.30			13	125	100.36	4.8	1.55	15	108	86.53	4.9	1.75	16			101	80.65	5.0	1.90	19			88	70.50		5.0	2.20		GFA39 GFAF39 GF39 GFF39	4P	2.9	736	454	10	1.15			GFA49R19 GFAF49R19 GF49R19 GFF49R19	4P		20	82		66.09	5.1	2.30	22	73	58.32	5.1			2.60	3.4	625	386	8.7			1.00	GFA49R19 GFAF49R19 GF49R19 GFF49R19	4P	3.9	548			338	9.3	1.15	5.2	413	255	10			1.50			3.5	619	382	8.3	1.00			GFA49R19 GFAF49R19 GF49R19 GFF49R19	4P			4.0	535	330	9.2	1.15	4.5	483	298	10			1.25	5.1	424	262	10	1.45	5.9	366					226	10	1.70	6.7	324	200	10	1.90	GFA49R19 GFAF49R19 GF49R19 GFF49R19	4P	7.8	275	170	11	2.25	5.3	403	249	5.7	1.00	GFA49R19 GFAF49R19 GF49R19 GFF49R19					4P	6.1	353	218			6.3	1.15	6.9	313	193	6.7			1.30	7.6	284	175	6.9	1.45			5.3	410	253	5.6	1.00	GFA49R19 GFAF49R19 GF49R19 GFF49R19	4P	6.1	352			217	6.2	1.20	7.0	308	190	6.6					1.35	7.5	288	178	6.8			1.45	8.9	241	149	7.1	1.70	10	212	131	7.3	1.95	GFA49R19 GFAF49R19 GF49R19 GFF49R19	4P	9.2	235	145	3.5	0.85	10	209	129	3.9			1.00	11					191	118	4.2	1.10	14	159	98	4.5	1.30	15	141	87	4.7	1.45	GFA49R19 GFAF49R19 GF49R19 GFF49R19	4P	3.0	752	281.71	18	1.95	3.2	702	262.93	18	2.10	3.8							602	225.79	19	2.50	4.3	529	198.31	19	2.80	4.5	503	188.40	19	2.90	GFA99R59 GFAF99R59 GF99R59 GFF99R59	4P	0.15	14292	8822	84	0.85	0.17	12368	7634	86	1.00	GFA129R79 GFAF129R79 GF129R79 GFF129R79							4P	0.20	10868	6708	86	1.15	0.22	9589			5919	86	1.30	0.26			8339	5147	86	1.50	0.29	7336	4528	86	1.70	0.22	9646	5954	44	0.85	GFA109R79 GFAF109R79 GF109R79 GFF109R79	4P	0.25			8462	5223	47	0.95			0.29	7399	4567	49	1.10	0.38					5704	3521	53	1.40	0.44	4920	3037	54	1.65	0.48	4465	2756	55	1.80	GFA109R79 GFAF109R79 GF109R79 GFF109R79	4P	0.56	3838	2369	56	2.10			0.64	3350	2068	57	2.40	0.83					2587	1597	58	3.15	0.95	2270	1401	59	3.60	0.46	4710	2907	28	0.95	GFA109R79 GFAF109R79 GF109R79 GFF109R79	4P	0.52			4136	2553	29	1.05	0.59	3637	2245	30	1.20	0.68	3192	1970					31	1.40	0.77	2791	1723	32	1.60	0.87	2475	1528	33			1.80	GFA99R59 GFAF99R59 GF99R59 GFF99R59	4P	1.0	2150	1327	34	2.10	1.1	1897	1171	34			2.35	1.3			1656	1022			34	2.70	0.69	3127	1930	17	1.00	GFA89R59 GFAF89R59 GF89R59 GFF89R59	4P	0.78	2769	1709	23	1.10	0.89	2419	1493	24					1.30	1.0	2106	1300	25	1.50																										
6.5	250	130.07	7.0	1.55			7.0	234	121.57	7.2	1.65					6.9	238	190.76	7.1	1.60	GFA49 GFAF49 GF49 GFF49	4P		2.2	996		615	17	1.55	GFA69R39 GFAF69R39 GF69R39 GFF69R39	4P			7.5	219	175.38	7.2	1.75					8.7	187	150.06	7.4	2.00			10.1	162	130.07	7.5	2.40	10.8	152	121.57	7.6	2.50		7.2	226	117.88	3.6	0.85	GFA39 GFAF39 GF39 GFF39		6P	2.3	927	572	9.0	0.90			GFA69R39 GFAF69R39 GF69R39 GFF69R39	4P	8.5			193	100.36	4.1	1.00					10	166	86.53	4.4	1.15			11	155	80.65	4.6	1.25	12	135	70.50	4.7	1.45	10	160	128.51	4.5	1.20	GFA39 GFAF39 GF39 GFF39	4P	2.7	810	500			10	1.05	GFA59R39 GFAF59R39 GF59R39 GFF59R39	4P			11			147	117.88	4.6	1.30					13	125	100.36	4.8	1.55			15	108	86.53	4.9	1.75	16	101	80.65	5.0	1.90	19	88	70.50	5.0	2.20	GFA39 GFAF39 GF39 GFF39	4P	2.9	736	454	10	1.15		GFA49R19 GFAF49R19 GF49R19 GFF49R19	4P				20	82	66.09	5.1	2.30						22	73		58.32	5.1	2.60	3.4	625	386	8.7			1.00	GFA49R19 GFAF49R19 GF49R19 GFF49R19	4P	3.9	548	338	9.3	1.15			5.2	413	255	10	1.50	3.5	619	382	8.3	1.00	GFA49R19 GFAF49R19 GF49R19 GFF49R19			4P			4.0	535	330	9.2	1.15					4.5	483	298	10	1.25	5.1	424	262	10	1.45	5.9			366	226	10	1.70	6.7	324	200	10	1.90	GFA49R19 GFAF49R19 GF49R19 GFF49R19			4P	7.8	275	170	11	2.25	5.3	403			249	5.7	1.00	GFA49R19 GFAF49R19 GF49R19 GFF49R19	4P	6.1	353	218	6.3	1.15							6.9	313	193	6.7	1.30	7.6	284	175	6.9	1.45	5.3			410	253	5.6	1.00	GFA49R19 GFAF49R19 GF49R19 GFF49R19	4P	6.1	352	217	6.2	1.20	7.0	308			190	6.6			1.35	7.5	288	178	6.8	1.45	8.9			241	149	7.1	1.70	10	212	131			7.3	1.95	GFA49R19 GFAF49R19 GF49R19 GFF49R19	4P	9.2	235	145	3.5	0.85	10	209			129	3.9	1.00	11	191	118	4.2	1.10	14			159	98	4.5	1.30			15	141	87	4.7	1.45	GFA49R19 GFAF49R19 GF49R19 GFF49R19	4P	3.0	752	281.71	18	1.95	3.2	702			262.93	18	2.10	3.8	602	225.79	19	2.50	4.3	529	198.31	19	2.80					4.5	503	188.40	19	2.90	GFA99R59 GFAF99R59 GF99R59 GFF99R59	4P	0.15	14292	8822	84	0.85	0.17	12368			7634	86	1.00	GFA129R79 GFAF129R79 GF129R79 GFF129R79	4P	0.20	10868	6708	86	1.15		0.22	9589						5919	86	1.30	0.26	8339	5147	86	1.50	0.29	7336	4528	86	1.70			0.22	9646	5954	44	0.85	GFA109R79 GFAF109R79 GF109R79 GFF109R79	4P	0.25	8462	5223	47	0.95	0.29	7399			4567			49	1.10	0.38	5704	3521	53	1.40	0.44	4920	3037	54	1.65					0.48	4465	2756	55	1.80	GFA109R79 GFAF109R79 GF109R79 GFF109R79	4P	0.56	3838	2369	56	2.10	0.64	3350			2068	57	2.40	0.83	2587	1597	58	3.15	0.95	2270	1401	59	3.60					0.46	4710	2907	28	0.95	GFA109R79 GFAF109R79 GF109R79 GFF109R79	4P	0.52	4136	2553	29	1.05	0.59	3637			2245	30	1.20	0.68	3192	1970	31	1.40	0.77	2791	1723	32	1.60	0.87	2475					1528	33	1.80	GFA99R59 GFAF99R59 GF99R59 GFF99R59	4P	1.0	2150	1327	34	2.10	1.1	1897	1171	34			2.35	1.3	1656	1022	34	2.70	0.69	3127	1930			17	1.00			GFA89R59 GFAF89R59 GF89R59 GFF89R59	4P	0.78	2769	1709	23	1.10	0.89	2419	1493	24			1.30	1.0	2106	1300	25	1.50																																							
7.0	234	121.57	7.2	1.65			6.9	238	190.76	7.1	1.60			GFA49 GFAF49 GF49 GFF49	4P	2.2	996	615	17	1.55			GFA69R39 GFAF69R39 GF69R39 GFF69R39	4P	7.5	219	175.38	7.2	1.75					8.7	187	150.06	7.4	2.00					10.1	162	130.07	7.5	2.40			10.8	152	121.57	7.6	2.50	7.2	226	117.88	3.6	0.85	GFA39 GFAF39 GF39 GFF39	6P	2.3	927	572	9.0		0.90		GFA69R39 GFAF69R39 GF69R39 GFF69R39	4P	8.5	193	100.36					4.1	1.00	10	166	86.53	4.4	1.15					11	155	80.65	4.6	1.25			12	135	70.50	4.7	1.45	10	160	128.51	4.5	1.20	GFA39 GFAF39 GF39 GFF39	4P	2.7	810	500			10	1.05	GFA59R39 GFAF59R39 GF59R39 GFF59R39	4P	11	147	117.88					4.6	1.30	13	125	100.36	4.8	1.55					15	108	86.53	4.9	1.75			16	101	80.65	5.0	1.90	19	88	70.50	5.0	2.20	GFA39 GFAF39 GF39 GFF39	4P	2.9	736	454			10	1.15	GFA49R19 GFAF49R19 GF49R19 GFF49R19	4P	20	82			66.09			5.1	2.30	22	73	58.32	5.1	2.60				3.4	625		386	8.7	1.00	GFA49R19 GFAF49R19 GF49R19 GFF49R19	4P	3.9	548			338			9.3	1.15	5.2	413	255			10	1.50	3.5	619	382	8.3	1.00	GFA49R19 GFAF49R19 GF49R19 GFF49R19	4P	4.0					535	330	9.2	1.15	4.5	483	298	10	1.25			5.1	424	262	10	1.45	5.9	366	226	10	1.70	6.7			324	200	10	1.90	GFA49R19 GFAF49R19 GF49R19 GFF49R19	4P	7.8	275	170		11	2.25		5.3	403	249	5.7	1.00	GFA49R19 GFAF49R19 GF49R19 GFF49R19	4P			6.1	353	218			6.3	1.15	6.9	313	193		6.7	1.30				7.6	284	175	6.9	1.45	5.3	410	253	5.6	1.00	GFA49R19 GFAF49R19 GF49R19 GFF49R19			4P	6.1	352	217			6.2	1.20	7.0	308	190	6.6	1.35			7.5	288	178	6.8	1.45	8.9	241	149	7.1	1.70	10			212	131	7.3	1.95	GFA49R19 GFAF49R19 GF49R19 GFF49R19	4P	9.2	235	145	3.5	0.85			10	209	129	3.9	1.00	11	191			118	4.2	1.10	14	159	98	4.5	1.30	15	141	87	4.7	1.45	GFA49R19 GFAF49R19 GF49R19 GFF49R19	4P			3.0	752	281.71	18	1.95			3.2	702	262.93	18	2.10	3.8	602			225.79	19	2.50	4.3	529	198.31	19	2.80	4.5	503	188.40	19	2.90			GFA99R59 GFAF99R59 GF99R59 GFF99R59	4P	0.15	14292	8822	84	0.85			0.17	12368	7634	86	1.00	GFA129R79 GFAF129R79 GF129R79 GFF129R79	4P			0.20	10868	6708			86	1.15	0.22	9589	5919		86	1.30			0.26	8339		5147	86	1.50	0.29	7336	4528	86	1.70	0.22	9646	5954	44	0.85			GFA109R79 GFAF109R79 GF109R79 GFF109R79	4P	0.25	8462	5223			47	0.95	0.29	7399	4567	49	1.10			0.38	5704	3521	53	1.40	0.44	4920	3037	54	1.65	0.48	4465	2756	55	1.80			GFA109R79 GFAF109R79 GF109R79 GFF109R79	4P	0.56	3838	2369	56	2.10			0.64	3350	2068	57	2.40	0.83	2587			1597	58	3.15	0.95	2270	1401	59	3.60	0.46	4710	2907	28	0.95			GFA109R79 GFAF109R79 GF109R79 GFF109R79	4P	0.52	4136	2553	29	1.05			0.59	3637	2245	30	1.20	0.68	3192			1970	31	1.40	0.77	2791	1723	32	1.60	0.87	2475	1528	33	1.80	GFA99R59 GFAF99R59 GF99R59 GFF99R59	4P	1.0	2150			1327	34	2.10			1.1	1897	1171	34	2.35	1.3	1656	1022	34			2.70	0.69	3127	1930	17	1.00	GFA89R59 GFAF89R59 GF89R59 GFF89R59	4P	0.78	2769	1709	23	1.10					0.89	2419	1493	24	1.30	1.0	2106	1300	25			1.50																																												
6.9	238	190.76	7.1	1.60	GFA49 GFAF49 GF49 GFF49	4P	2.2	996	615	17	1.55	GFA69R39 GFAF69R39 GF69R39 GFF69R39	4P																																																																																																																																																																																																																																																																																																																																																																																																																																																																																																																																																																																																																																										
7.5	219	175.38	7.2	1.75			8.7	187	150.06	7.4	2.00					10.1	162	130.07	7.5	2.40					10.8	152	121.57	7.6	2.50					7.2	226	117.88	3.6	0.85			GFA39 GFAF39 GF39 GFF39	6P	2.3	927	572	9.0	0.90	GFA69R39 GFAF69R39 GF69R39 GFF69R39	4P	8.5	193	100.36	4.1	1.00	10	166	86.53	4.4	1.15			11	155	80.65	4.6		1.25				12	135	70.50					4.7	1.45	10	160	128.51	4.5	1.20			GFA39 GFAF39 GF39 GFF39	4P	2.7	810	500	10	1.05	GFA59R39 GFAF59R39 GF59R39 GFF59R39	4P	11	147	117.88	4.6	1.30	13	125	100.36	4.8	1.55			15	108	86.53			4.9	1.75			16	101	80.65					5.0	1.90	19	88	70.50	5.0	2.20			GFA39 GFAF39 GF39 GFF39	4P	2.9	736	454	10	1.15	GFA49R19 GFAF49R19 GF49R19 GFF49R19	4P	20	82	66.09	5.1	2.30	22	73	58.32	5.1	2.60			3.4	625	386			8.7	1.00			GFA49R19 GFAF49R19 GF49R19 GFF49R19	4P			3.9			548	338	9.3	1.15	5.2	413	255			10	1.50	3.5	619	382	8.3	1.00			GFA49R19 GFAF49R19 GF49R19 GFF49R19	4P	4.0	535	330			9.2	1.15	4.5	483	298			10	1.25	5.1	424	262	10	1.45			5.9		366	226		10	1.70	6.7	324	200	10	1.90	GFA49R19 GFAF49R19 GF49R19 GFF49R19	4P			7.8	275	170	11	2.25	5.3	403	249	5.7	1.00	GFA49R19 GFAF49R19 GF49R19 GFF49R19	4P	6.1	353	218	6.3	1.15			6.9	313	193		6.7	1.30		7.6	284	175	6.9	1.45					5.3	410	253			5.6	1.00	GFA49R19 GFAF49R19 GF49R19 GFF49R19	4P	6.1		352	217	6.2	1.20		7.0	308	190	6.6	1.35	7.5	288	178	6.8	1.45		8.9	241		149	7.1	1.70			10	212	131	7.3	1.95	GFA49R19 GFAF49R19 GF49R19 GFF49R19	4P			9.2	235	145	3.5	0.85	10	209	129	3.9	1.00	11	191	118	4.2	1.10	14	159			98	4.5	1.30	15	141			87	4.7	1.45	GFA49R19 GFAF49R19 GF49R19 GFF49R19	4P	3.0	752			281.71	18	1.95	3.2	702	262.93	18	2.10	3.8	602	225.79	19	2.50			4.3	529	198.31	19	2.80	4.5	503			188.40	19	2.90	GFA99R59 GFAF99R59 GF99R59 GFF99R59	4P	0.15	14292			8822	84	0.85	0.17	12368	7634	86	1.00	GFA129R79 GFAF129R79 GF129R79 GFF129R79	4P	0.20	10868	6708	86	1.15			0.22	9589	5919	86	1.30			0.26	8339	5147	86	1.50					0.29	7336	4528			86	1.70	0.22	9646	5954		44	0.85	GFA109R79 GFAF109R79 GF109R79 GFF109R79	4P	0.25	8462		5223	47	0.95	0.29	7399	4567	49	1.10	0.38	5704	3521	53	1.40	0.44	4920			3037	54	1.65			0.48	4465	2756	55	1.80	GFA109R79 GFAF109R79 GF109R79 GFF109R79	4P			0.56	3838	2369	56	2.10	0.64	3350	2068	57	2.40	0.83	2587	1597	58	3.15	0.95	2270			1401	59	3.60	0.46	4710			2907	28	0.95	GFA109R79 GFAF109R79 GF109R79 GFF109R79	4P	0.52	4136			2553	29	1.05	0.59	3637	2245	30	1.20	0.68	3192	1970	31	1.40	0.77	2791			1723	32	1.60	0.87	2475			1528	33	1.80	GFA99R59 GFAF99R59 GF99R59 GFF99R59	4P	1.0	2150			1327	34	2.10	1.1	1897	1171	34	2.35	1.3	1656	1022	34	2.70			0.69	3127	1930	17	1.00	GFA89R59 GFAF89R59 GF89R59 GFF89R59	4P			0.78	2769	1709	23	1.10	0.89	2419	1493	24			1.30	1.0	2106	1300	25	1.50																																																																			
8.7	187	150.06	7.4	2.00			10.1	162	130.07	7.5	2.40					10.8	152	121.57	7.6	2.50					7.2	226	117.88	3.6	0.85			GFA39 GFAF39 GF39 GFF39	6P	2.3	927	572	9.0	0.90	GFA69R39 GFAF69R39 GF69R39 GFF69R39	4P			8.5	193	100.36	4.1	1.00			10	166	86.53	4.4	1.15	11	155	80.65	4.6	1.25			12	135	70.50	4.7		1.45				10	160	128.51	4.5	1.20			GFA39 GFAF39 GF39 GFF39	4P	2.7	810	500	10	1.05	GFA59R39 GFAF59R39 GF59R39 GFF59R39	4P			11	147	117.88	4.6	1.30			13	125	100.36	4.8	1.55	15	108	86.53	4.9	1.75			16	101	80.65			5.0	1.90			19	88	70.50			5.0	2.20	GFA39 GFAF39 GF39 GFF39	4P	2.9	736	454	10	1.15	GFA49R19 GFAF49R19 GF49R19 GFF49R19	4P			20	82	66.09	5.1	2.30			22	73	58.32	5.1	2.60	3.4	625	386	8.7	1.00			GFA49R19 GFAF49R19 GF49R19 GFF49R19	4P	3.9			548	338							9.3	1.15	5.2	413	255	10	1.50	3.5	619	382	8.3	1.00	GFA49R19 GFAF49R19 GF49R19 GFF49R19	4P	4.0	535	330	9.2	1.15					4.5	483	298			10	1.25	5.1	424	262	10	1.45	5.9	366	226	10	1.70	6.7	324			200		10	1.90		GFA49R19 GFAF49R19 GF49R19 GFF49R19	4P	7.8	275	170	11	2.25			5.3	403	249	5.7	1.00	GFA49R19 GFAF49R19 GF49R19 GFF49R19	4P	6.1	353	218	6.3	1.15			6.9	313	193	6.7	1.30			7.6	284	175		6.9	1.45		5.3	410	253	5.6	1.00			GFA49R19 GFAF49R19 GF49R19 GFF49R19	4P	6.1	352	217			6.2	1.20			7.0	308	190	6.6	1.35	7.5	288	178	6.8	1.45	8.9	241	149	7.1	1.70	10	212		131	7.3		1.95	GFA49R19 GFAF49R19 GF49R19 GFF49R19	4P			9.2	235	145	3.5	0.85			10	209	129	3.9	1.00	11	191	118	4.2	1.10	14	159	98	4.5	1.30	15	141	87	4.7			1.45	GFA49R19 GFAF49R19 GF49R19 GFF49R19	4P	3.0	752			281.71	18	1.95			3.2	702	262.93	18	2.10	3.8	602	225.79	19	2.50	4.3	529	198.31	19	2.80	4.5	503			188.40	19	2.90	GFA99R59 GFAF99R59 GF99R59 GFF99R59	4P	0.15	14292			8822	84	0.85			0.17	12368	7634	86	1.00	GFA129R79 GFAF129R79 GF129R79 GFF129R79	4P	0.20	10868	6708	86	1.15			0.22	9589	5919	86	1.30			0.26	8339	5147	86	1.50			0.29	7336	4528	86	1.70			0.22	9646	5954	44	0.85			GFA109R79 GFAF109R79 GF109R79 GFF109R79	4P	0.25	8462	5223	47	0.95	0.29			7399	4567	49	1.10	0.38	5704	3521	53	1.40	0.44	4920	3037	54	1.65	0.48	4465	2756	55			1.80	GFA109R79 GFAF109R79 GF109R79 GFF109R79	4P			0.56	3838	2369	56	2.10			0.64	3350	2068	57	2.40	0.83	2587	1597	58	3.15	0.95	2270	1401	59	3.60	0.46	4710	2907	28			0.95	GFA109R79 GFAF109R79 GF109R79 GFF109R79	4P	0.52	4136			2553	29	1.05			0.59	3637	2245	30	1.20	0.68	3192	1970	31	1.40	0.77	2791	1723	32	1.60	0.87	2475	1528	33			1.80	GFA99R59 GFAF99R59 GF99R59 GFF99R59	4P	1.0	2150			1327	34	2.10			1.1	1897	1171	34	2.35	1.3	1656	1022	34	2.70	0.69	3127	1930	17	1.00	GFA89R59 GFAF89R59 GF89R59 GFF89R59	4P			0.78	2769	1709	23	1.10					0.89	2419	1493	24	1.30	1.0	2106	1300	25	1.50																																																																										
10.1	162	130.07	7.5	2.40			10.8	152	121.57	7.6	2.50					7.2	226	117.88	3.6	0.85	GFA39 GFAF39 GF39 GFF39	6P			2.3	927	572	9.0	0.90	GFA69R39 GFAF69R39 GF69R39 GFF69R39	4P			8.5	193	100.36	4.1	1.00					10	166	86.53	4.4	1.15			11	155	80.65	4.6	1.25	12	135	70.50	4.7	1.45			10	160	128.51	4.5	1.20	GFA39 GFAF39 GF39 GFF39	4P			2.7	810	500	10	1.05	GFA59R39 GFAF59R39 GF59R39 GFF59R39	4P			11	147	117.88	4.6	1.30					13	125	100.36	4.8	1.55			15	108	86.53	4.9	1.75	16	101	80.65	5.0	1.90			19	88	70.50	5.0	2.20	GFA39 GFAF39 GF39 GFF39	4P			2.9	736	454	10	1.15	GFA49R19 GFAF49R19 GF49R19 GFF49R19	4P			20	82	66.09	5.1	2.30					22	73	58.32	5.1	2.60			3.4	625	386	8.7	1.00	GFA49R19 GFAF49R19 GF49R19 GFF49R19	4P	3.9	548	338					9.3	1.15	5.2	413	255					10	1.50	3.5	619	382	8.3	1.00	GFA49R19 GFAF49R19 GF49R19 GFF49R19	4P	4.0	535	330	9.2	1.15			4.5	483	298	10	1.25					5.1	424	262	10	1.45	5.9	366	226	10	1.70	6.7	324	200	10	1.90	GFA49R19 GFAF49R19 GF49R19 GFF49R19	4P	7.8	275			170	11	2.25	5.3	403			249	5.7	1.00	GFA49R19 GFAF49R19 GF49R19 GFF49R19	4P			6.1	353	218	6.3	1.15			6.9	313	193	6.7	1.30			7.6	284	175	6.9	1.45			5.3	410	253	5.6	1.00	GFA49R19 GFAF49R19 GF49R19 GFF49R19	4P	6.1	352	217	6.2	1.20					7.0	308	190	6.6	1.35	7.5	288			178	6.8	1.45	8.9	241	149	7.1	1.70	10	212	131	7.3	1.95	GFA49R19 GFAF49R19 GF49R19 GFF49R19	4P	9.2	235		145	3.5		0.85			10	209	129	3.9	1.00	11	191			118	4.2	1.10	14	159	98	4.5	1.30	15	141	87	4.7	1.45	GFA49R19 GFAF49R19 GF49R19 GFF49R19	4P	3.0	752	281.71	18			1.95			3.2	702	262.93	18	2.10	3.8	602			225.79	19	2.50	4.3	529	198.31	19	2.80	4.5	503	188.40	19	2.90	GFA99R59 GFAF99R59 GF99R59 GFF99R59	4P	0.15	14292			8822	84	0.85			0.17	12368	7634	86	1.00	GFA129R79 GFAF129R79 GF129R79 GFF129R79	4P			0.20	10868	6708	86	1.15			0.22	9589	5919	86	1.30			0.26	8339	5147	86	1.50			0.29	7336	4528	86	1.70	0.22	9646	5954	44	0.85	GFA109R79 GFAF109R79 GF109R79 GFF109R79	4P			0.25	8462	5223	47	0.95	0.29	7399			4567	49	1.10	0.38	5704	3521			53	1.40	0.44	4920	3037	54	1.65	0.48	4465	2756	55	1.80	GFA109R79 GFAF109R79 GF109R79 GFF109R79	4P	0.56	3838	2369	56			2.10			0.64	3350	2068	57	2.40	0.83	2587			1597	58	3.15	0.95	2270	1401	59	3.60	0.46	4710	2907	28	0.95	GFA109R79 GFAF109R79 GF109R79 GFF109R79	4P	0.52	4136	2553	29			1.05			0.59	3637	2245	30	1.20	0.68	3192			1970	31	1.40	0.77	2791	1723	32	1.60	0.87	2475	1528	33	1.80	GFA99R59 GFAF99R59 GF99R59 GFF99R59	4P	1.0	2150	1327	34			2.10			1.1	1897	1171	34	2.35	1.3	1656			1022	34	2.70	0.69	3127	1930	17	1.00	GFA89R59 GFAF89R59 GF89R59 GFF89R59	4P	0.78	2769	1709	23	1.10					0.89	2419	1493	24	1.30			1.0	2106	1300	25	1.50																																																																																	
10.8	152	121.57	7.6	2.50			7.2	226	117.88	3.6	0.85			GFA39 GFAF39 GF39 GFF39	6P	2.3	927	572	9.0	0.90			GFA69R39 GFAF69R39 GF69R39 GFF69R39	4P	8.5	193	100.36	4.1	1.00					10	166	86.53	4.4	1.15					11	155	80.65	4.6	1.25			12	135	70.50	4.7	1.45	10	160	128.51	4.5	1.20	GFA39 GFAF39 GF39 GFF39	4P	2.7	810	500	10	1.05			GFA59R39 GFAF59R39 GF59R39 GFF59R39	4P	11	147	117.88	4.6	1.30					13	125	100.36	4.8	1.55					15	108	86.53	4.9	1.75			16	101	80.65	5.0	1.90	19	88	70.50	5.0	2.20	GFA39 GFAF39 GF39 GFF39	4P	2.9	736	454	10	1.15			GFA49R19 GFAF49R19 GF49R19 GFF49R19	4P	20	82	66.09	5.1	2.30					22	73	58.32	5.1	2.60					3.4	625	386	8.7	1.00			GFA49R19 GFAF49R19 GF49R19 GFF49R19	4P	3.9	548	338			9.3	1.15	5.2	413	255			10	1.50	3.5	619	382	8.3	1.00			GFA49R19 GFAF49R19 GF49R19 GFF49R19	4P	4.0	535	330	9.2	1.15			4.5	483	298	10	1.25			5.1	424	262	10	1.45	5.9	366			226	10	1.70	6.7	324	200	10	1.90	GFA49R19 GFAF49R19 GF49R19 GFF49R19	4P	7.8	275	170	11	2.25			5.3	403	249	5.7	1.00	GFA49R19 GFAF49R19 GF49R19 GFF49R19	4P	6.1	353			218	6.3	1.15					6.9	313	193	6.7	1.30			7.6	284	175	6.9	1.45			5.3	410	253	5.6	1.00	GFA49R19 GFAF49R19 GF49R19 GFF49R19	4P	6.1	352	217	6.2	1.20			7.0	308	190	6.6	1.35	7.5	288			178	6.8	1.45	8.9	241	149	7.1			1.70	10	212	131	7.3	1.95	GFA49R19 GFAF49R19 GF49R19 GFF49R19	4P	9.2	235	145	3.5	0.85			10	209	129	3.9	1.00	11	191			118	4.2	1.10	14	159	98	4.5			1.30	15	141	87	4.7	1.45	GFA49R19 GFAF49R19 GF49R19 GFF49R19	4P	3.0	752	281.71	18	1.95			3.2	702	262.93	18	2.10	3.8	602			225.79	19	2.50	4.3	529	198.31	19			2.80	4.5	503	188.40	19	2.90	GFA99R59 GFAF99R59 GF99R59 GFF99R59	4P	0.15	14292	8822	84	0.85			0.17	12368	7634	86	1.00	GFA129R79 GFAF129R79 GF129R79 GFF129R79	4P			0.20	10868	6708	86	1.15					0.22	9589	5919	86	1.30			0.26	8339	5147	86	1.50			0.29	7336	4528	86	1.70	0.22	9646	5954	44	0.85	GFA109R79 GFAF109R79 GF109R79 GFF109R79	4P	0.25	8462	5223	47	0.95			0.29	7399	4567	49	1.10	0.38	5704	3521	53			1.40	0.44	4920	3037	54	1.65			0.48	4465	2756	55	1.80	GFA109R79 GFAF109R79 GF109R79 GFF109R79	4P	0.56	3838	2369	56	2.10			0.64	3350	2068	57	2.40	0.83	2587			1597	58	3.15	0.95	2270	1401	59			3.60	0.46	4710	2907	28	0.95	GFA109R79 GFAF109R79 GF109R79 GFF109R79	4P	0.52	4136	2553	29	1.05			0.59	3637	2245	30	1.20	0.68	3192			1970	31	1.40	0.77	2791	1723	32			1.60	0.87	2475	1528	33	1.80	GFA99R59 GFAF99R59 GF99R59 GFF99R59	4P	1.0	2150	1327	34	2.10			1.1	1897	1171	34	2.35	1.3	1656			1022	34	2.70	0.69	3127	1930	17			1.00	GFA89R59 GFAF89R59 GF89R59 GFF89R59	4P	0.78	2769	1709	23	1.10			0.89	2419	1493	24	1.30			1.0	2106	1300	25	1.50																																																																																										
7.2	226	117.88	3.6	0.85	GFA39 GFAF39 GF39 GFF39	6P	2.3	927	572	9.0	0.90	GFA69R39 GFAF69R39 GF69R39 GFF69R39	4P																																																																																																																																																																																																																																																																																																																																																																																																																																																																																																																																																																																																																																										
8.5	193	100.36	4.1	1.00			10	166	86.53	4.4	1.15					11	155	80.65	4.6	1.25					12	135	70.50	4.7	1.45					10	160	128.51	4.5	1.20			GFA39 GFAF39 GF39 GFF39	4P	2.7	810	500	10	1.05	GFA59R39 GFAF59R39 GF59R39 GFF59R39	4P	11	147	117.88	4.6	1.30	13	125	100.36	4.8	1.55			15	108	86.53	4.9	1.75					16	101	80.65	5.0	1.90					19	88	70.50	5.0	2.20			GFA39 GFAF39 GF39 GFF39	4P	2.9	736	454	10	1.15	GFA49R19 GFAF49R19 GF49R19 GFF49R19	4P	20	82	66.09	5.1	2.30	22	73	58.32	5.1	2.60			3.4	625	386	8.7	1.00					GFA49R19 GFAF49R19 GF49R19 GFF49R19	4P	3.9	548	338					9.3	1.15	5.2	413	255			10	1.50	3.5	619	382	8.3	1.00	GFA49R19 GFAF49R19 GF49R19 GFF49R19	4P			4.0	535	330			9.2	1.15	4.5	483	298			10	1.25	5.1	424	262	10	1.45	5.9	366			226	10	1.70	6.7	324			200	10	1.90	GFA49R19 GFAF49R19 GF49R19 GFF49R19	4P			7.8	275	170	11	2.25	5.3	403	249	5.7	1.00	GFA49R19 GFAF49R19 GF49R19 GFF49R19	4P	6.1	353	218	6.3	1.15			6.9	313	193	6.7	1.30			7.6	284	175	6.9	1.45			5.3	410			253	5.6	1.00			GFA49R19 GFAF49R19 GF49R19 GFF49R19	4P	6.1	352	217	6.2	1.20			7.0	308	190	6.6	1.35	7.5	288	178	6.8	1.45	8.9	241			149	7.1	1.70	10	212			131	7.3	1.95	GFA49R19 GFAF49R19 GF49R19 GFF49R19	4P	9.2	235			145	3.5	0.85	10	209	129	3.9	1.00	11	191	118	4.2	1.10	14	159			98	4.5	1.30	15	141			87	4.7	1.45	GFA49R19 GFAF49R19 GF49R19 GFF49R19	4P	3.0	752			281.71	18	1.95	3.2	702	262.93	18	2.10	3.8	602	225.79	19	2.50	4.3	529			198.31	19	2.80	4.5	503			188.40	19	2.90	GFA99R59 GFAF99R59 GF99R59 GFF99R59	4P	0.15	14292			8822	84	0.85	0.17	12368	7634	86	1.00	GFA129R79 GFAF129R79 GF129R79 GFF129R79	4P	0.20	10868	6708	86	1.15			0.22	9589	5919	86	1.30			0.26	8339	5147	86	1.50					0.29	7336	4528	86	1.70			0.22	9646	5954	44	0.85	GFA109R79 GFAF109R79 GF109R79 GFF109R79	4P			0.25	8462	5223	47	0.95	0.29	7399	4567	49	1.10	0.38	5704	3521	53	1.40	0.44	4920			3037	54	1.65	0.48	4465			2756	55	1.80	GFA109R79 GFAF109R79 GF109R79 GFF109R79	4P	0.56	3838	2369	56			2.10	0.64	3350	2068	57	2.40	0.83	2587	1597	58	3.15	0.95	2270			1401	59	3.60	0.46	4710			2907	28	0.95	GFA109R79 GFAF109R79 GF109R79 GFF109R79	4P	0.52	4136			2553	29	1.05	0.59	3637	2245	30	1.20	0.68	3192	1970	31	1.40	0.77	2791			1723	32	1.60	0.87	2475			1528	33	1.80	GFA99R59 GFAF99R59 GF99R59 GFF99R59	4P	1.0	2150			1327	34	2.10	1.1	1897	1171	34	2.35	1.3	1656	1022	34	2.70	0.69	3127			1930	17	1.00	GFA89R59 GFAF89R59 GF89R59 GFF89R59	4P			0.78	2769	1709	23	1.10	0.89	2419			1493	24	1.30	1.0	2106	1300	25	1.50																																																																																																																	
10	166	86.53	4.4	1.15			11	155	80.65	4.6	1.25					12	135	70.50	4.7	1.45					10	160	128.51	4.5	1.20			GFA39 GFAF39 GF39 GFF39	4P	2.7	810	500	10	1.05	GFA59R39 GFAF59R39 GF59R39 GFF59R39	4P			11	147	117.88	4.6	1.30			13	125	100.36	4.8	1.55	15	108	86.53	4.9	1.75			16	101	80.65	5.0	1.90					19	88	70.50	5.0	2.20			GFA39 GFAF39 GF39 GFF39	4P	2.9	736	454	10	1.15	GFA49R19 GFAF49R19 GF49R19 GFF49R19	4P			20	82	66.09	5.1	2.30			22	73	58.32	5.1	2.60	3.4	625	386	8.7	1.00			GFA49R19 GFAF49R19 GF49R19 GFF49R19	4P	3.9	548	338							9.3	1.15	5.2			413	255	10	1.50	3.5	619	382	8.3	1.00	GFA49R19 GFAF49R19 GF49R19 GFF49R19	4P	4.0	535	330	9.2	1.15					4.5	483	298			10	1.25	5.1	424	262	10	1.45	5.9	366	226	10	1.70	6.7	324	200	10			1.90	GFA49R19 GFAF49R19 GF49R19 GFF49R19	4P	7.8	275			170	11	2.25			5.3	403	249	5.7	1.00	GFA49R19 GFAF49R19 GF49R19 GFF49R19	4P	6.1	353	218	6.3	1.15			6.9	313	193	6.7	1.30			7.6	284	175	6.9	1.45			5.3	410	253	5.6	1.00			GFA49R19 GFAF49R19 GF49R19 GFF49R19	4P	6.1	352	217	6.2	1.20					7.0	308	190	6.6	1.35	7.5	288	178	6.8	1.45	8.9	241	149	7.1	1.70	10	212	131	7.3			1.95	GFA49R19 GFAF49R19 GF49R19 GFF49R19	4P	9.2	235			145	3.5	0.85			10	209	129	3.9	1.00	11	191	118	4.2	1.10	14	159	98	4.5	1.30	15	141	87	4.7			1.45	GFA49R19 GFAF49R19 GF49R19 GFF49R19	4P	3.0	752			281.71	18	1.95			3.2	702	262.93	18	2.10	3.8	602	225.79	19	2.50	4.3	529	198.31	19	2.80	4.5	503	188.40	19			2.90	GFA99R59 GFAF99R59 GF99R59 GFF99R59	4P	0.15	14292			8822	84	0.85			0.17	12368	7634	86	1.00	GFA129R79 GFAF129R79 GF129R79 GFF129R79	4P	0.20	10868	6708	86	1.15			0.22	9589	5919	86	1.30			0.26	8339	5147	86	1.50			0.29	7336	4528	86	1.70			0.22	9646	5954	44	0.85	GFA109R79 GFAF109R79 GF109R79 GFF109R79	4P			0.25	8462	5223	47	0.95			0.29	7399	4567	49	1.10	0.38	5704	3521	53	1.40	0.44	4920	3037	54	1.65	0.48	4465	2756	55			1.80	GFA109R79 GFAF109R79 GF109R79 GFF109R79	4P	0.56	3838			2369	56	2.10			0.64	3350	2068	57	2.40	0.83	2587	1597	58	3.15	0.95	2270	1401	59	3.60	0.46	4710	2907	28			0.95	GFA109R79 GFAF109R79 GF109R79 GFF109R79	4P	0.52	4136			2553	29	1.05			0.59	3637	2245	30	1.20	0.68	3192	1970	31	1.40	0.77	2791	1723	32	1.60	0.87	2475	1528	33			1.80	GFA99R59 GFAF99R59 GF99R59 GFF99R59	4P	1.0	2150			1327	34	2.10			1.1	1897	1171	34	2.35	1.3	1656	1022	34	2.70	0.69	3127	1930	17	1.00	GFA89R59 GFAF89R59 GF89R59 GFF89R59	4P	0.78	2769			1709	23	1.10					0.89	2419	1493	24	1.30	1.0	2106	1300	25	1.50																																																																																																																								
11	155	80.65	4.6	1.25			12	135	70.50	4.7	1.45					10	160	128.51	4.5	1.20	GFA39 GFAF39 GF39 GFF39	4P			2.7	810	500	10	1.05	GFA59R39 GFAF59R39 GF59R39 GFF59R39	4P			11	147	117.88	4.6	1.30					13	125	100.36	4.8	1.55			15	108	86.53	4.9	1.75	16	101	80.65	5.0	1.90			19	88	70.50	5.0	2.20	GFA39 GFAF39 GF39 GFF39	4P			2.9	736	454	10	1.15	GFA49R19 GFAF49R19 GF49R19 GFF49R19	4P			20	82	66.09	5.1	2.30					22	73	58.32	5.1	2.60			3.4	625	386	8.7	1.00	GFA49R19 GFAF49R19 GF49R19 GFF49R19	4P	3.9	548	338					9.3	1.15	5.2	413	255					10	1.50	3.5	619	382	8.3	1.00	GFA49R19 GFAF49R19 GF49R19 GFF49R19	4P	4.0	535	330	9.2	1.15			4.5	483	298	10	1.25					5.1	424	262	10	1.45	5.9	366	226	10	1.70	6.7	324	200	10	1.90	GFA49R19 GFAF49R19 GF49R19 GFF49R19	4P	7.8	275	170	11			2.25			5.3	403	249	5.7	1.00	GFA49R19 GFAF49R19 GF49R19 GFF49R19	4P			6.1	353	218	6.3	1.15			6.9	313	193	6.7	1.30			7.6	284	175	6.9	1.45			5.3	410	253	5.6	1.00	GFA49R19 GFAF49R19 GF49R19 GFF49R19	4P	6.1	352	217	6.2	1.20					7.0	308	190	6.6	1.35	7.5	288			178	6.8	1.45	8.9	241	149	7.1	1.70	10	212	131	7.3	1.95	GFA49R19 GFAF49R19 GF49R19 GFF49R19	4P	9.2	235	145	3.5			0.85			10	209	129	3.9	1.00	11	191			118	4.2	1.10	14	159	98	4.5	1.30	15	141	87	4.7	1.45	GFA49R19 GFAF49R19 GF49R19 GFF49R19	4P	3.0	752	281.71	18			1.95			3.2	702	262.93	18	2.10	3.8	602			225.79	19	2.50	4.3	529	198.31	19	2.80	4.5	503	188.40	19	2.90	GFA99R59 GFAF99R59 GF99R59 GFF99R59	4P	0.15	14292	8822	84			0.85			0.17	12368	7634	86	1.00	GFA129R79 GFAF129R79 GF129R79 GFF129R79	4P			0.20	10868	6708	86	1.15			0.22	9589	5919	86	1.30			0.26	8339	5147	86	1.50			0.29	7336	4528	86	1.70	0.22	9646	5954	44	0.85	GFA109R79 GFAF109R79 GF109R79 GFF109R79	4P			0.25	8462	5223	47	0.95			0.29	7399	4567	49	1.10	0.38	5704			3521	53	1.40	0.44	4920	3037	54	1.65	0.48	4465	2756	55	1.80	GFA109R79 GFAF109R79 GF109R79 GFF109R79	4P	0.56	3838	2369	56			2.10			0.64	3350	2068	57	2.40	0.83	2587			1597	58	3.15	0.95	2270	1401	59	3.60	0.46	4710	2907	28	0.95	GFA109R79 GFAF109R79 GF109R79 GFF109R79	4P	0.52	4136	2553	29			1.05			0.59	3637	2245	30	1.20	0.68	3192			1970	31	1.40	0.77	2791	1723	32	1.60	0.87	2475	1528	33	1.80	GFA99R59 GFAF99R59 GF99R59 GFF99R59	4P	1.0	2150	1327	34			2.10			1.1	1897	1171	34	2.35	1.3	1656			1022	34	2.70	0.69	3127	1930	17	1.00	GFA89R59 GFAF89R59 GF89R59 GFF89R59	4P	0.78	2769	1709	23	1.10			0.89	2419			1493	24	1.30			1.0	2106	1300	25	1.50																																																																																																																															
12	135	70.50	4.7	1.45			10	160	128.51	4.5	1.20			GFA39 GFAF39 GF39 GFF39	4P	2.7	810	500	10	1.05			GFA59R39 GFAF59R39 GF59R39 GFF59R39	4P	11	147	117.88	4.6	1.30					13	125	100.36	4.8	1.55					15	108	86.53	4.9	1.75			16	101	80.65	5.0	1.90	19	88	70.50	5.0	2.20	GFA39 GFAF39 GF39 GFF39	4P	2.9	736	454	10	1.15			GFA49R19 GFAF49R19 GF49R19 GFF49R19	4P	20	82	66.09	5.1	2.30					22	73	58.32	5.1	2.60					3.4	625	386	8.7	1.00			GFA49R19 GFAF49R19 GF49R19 GFF49R19	4P	3.9	548	338			9.3	1.15	5.2	413	255			10	1.50	3.5	619	382	8.3	1.00			GFA49R19 GFAF49R19 GF49R19 GFF49R19	4P	4.0	535	330	9.2	1.15			4.5	483	298	10	1.25			5.1	424	262	10	1.45			5.9	366	226	10	1.70	6.7	324	200	10	1.90	GFA49R19 GFAF49R19 GF49R19 GFF49R19	4P	7.8	275	170	11	2.25			5.3	403	249	5.7	1.00	GFA49R19 GFAF49R19 GF49R19 GFF49R19	4P			6.1	353	218	6.3	1.15					6.9	313	193	6.7	1.30			7.6	284	175	6.9	1.45			5.3	410	253	5.6	1.00	GFA49R19 GFAF49R19 GF49R19 GFF49R19	4P	6.1	352	217	6.2	1.20			7.0	308	190	6.6	1.35	7.5	288			178	6.8	1.45	8.9	241	149	7.1			1.70	10	212	131	7.3	1.95	GFA49R19 GFAF49R19 GF49R19 GFF49R19	4P	9.2	235	145	3.5	0.85			10	209	129	3.9	1.00	11	191			118	4.2	1.10	14	159	98	4.5			1.30	15	141	87	4.7	1.45	GFA49R19 GFAF49R19 GF49R19 GFF49R19	4P	3.0	752	281.71	18	1.95			3.2	702	262.93	18	2.10	3.8	602			225.79	19	2.50	4.3	529	198.31	19			2.80	4.5	503	188.40	19	2.90	GFA99R59 GFAF99R59 GF99R59 GFF99R59	4P	0.15	14292	8822	84	0.85			0.17	12368	7634	86	1.00	GFA129R79 GFAF129R79 GF129R79 GFF129R79	4P			0.20	10868	6708	86	1.15					0.22	9589	5919	86	1.30			0.26	8339	5147	86	1.50			0.29	7336	4528	86	1.70	0.22	9646	5954	44	0.85	GFA109R79 GFAF109R79 GF109R79 GFF109R79	4P	0.25	8462	5223	47	0.95			0.29	7399	4567	49	1.10	0.38	5704			3521	53	1.40	0.44	4920	3037	54			1.65	0.48	4465	2756	55	1.80	GFA109R79 GFAF109R79 GF109R79 GFF109R79	4P	0.56	3838	2369	56	2.10			0.64	3350	2068	57	2.40	0.83	2587			1597	58	3.15	0.95	2270	1401	59			3.60	0.46	4710	2907	28	0.95	GFA109R79 GFAF109R79 GF109R79 GFF109R79	4P	0.52	4136	2553	29	1.05			0.59	3637	2245	30	1.20	0.68	3192			1970	31	1.40	0.77	2791	1723	32			1.60	0.87	2475	1528	33	1.80	GFA99R59 GFAF99R59 GF99R59 GFF99R59	4P	1.0	2150	1327	34	2.10			1.1	1897	1171	34	2.35	1.3	1656			1022	34	2.70	0.69	3127	1930	17			1.00	GFA89R59 GFAF89R59 GF89R59 GFF89R59	4P	0.78	2769	1709	23	1.10			0.89	2419	1493	24	1.30			1.0	2106	1300	25	1.50																																																																																																																																								
10	160	128.51	4.5	1.20	GFA39 GFAF39 GF39 GFF39	4P	2.7	810	500	10	1.05	GFA59R39 GFAF59R39 GF59R39 GFF59R39	4P																																																																																																																																																																																																																																																																																																																																																																																																																																																																																																																																																																																																																																										
11	147	117.88	4.6	1.30			13	125	100.36	4.8	1.55					15	108	86.53	4.9	1.75					16	101	80.65	5.0	1.90					19	88	70.50	5.0	2.20			GFA39 GFAF39 GF39 GFF39	4P	2.9	736	454	10	1.15	GFA49R19 GFAF49R19 GF49R19 GFF49R19	4P	20	82	66.09	5.1	2.30	22	73	58.32	5.1	2.60			3.4	625	386	8.7	1.00					GFA49R19 GFAF49R19 GF49R19 GFF49R19	4P	3.9	548	338					9.3	1.15	5.2	413	255			10	1.50	3.5	619	382	8.3	1.00	GFA49R19 GFAF49R19 GF49R19 GFF49R19	4P			4.0	535	330			9.2	1.15	4.5	483	298			10	1.25	5.1	424	262	10	1.45	5.9	366			226	10	1.70	6.7	324			200	10	1.90	GFA49R19 GFAF49R19 GF49R19 GFF49R19	4P			7.8	275	170	11	2.25	5.3	403	249	5.7	1.00	GFA49R19 GFAF49R19 GF49R19 GFF49R19	4P	6.1	353	218	6.3	1.15			6.9	313	193	6.7	1.30			7.6	284	175	6.9	1.45					5.3	410	253	5.6	1.00			GFA49R19 GFAF49R19 GF49R19 GFF49R19	4P	6.1	352	217	6.2	1.20			7.0	308	190	6.6	1.35	7.5	288	178	6.8	1.45	8.9	241			149	7.1	1.70	10	212			131	7.3	1.95	GFA49R19 GFAF49R19 GF49R19 GFF49R19	4P	9.2	235			145	3.5	0.85	10	209	129	3.9	1.00	11	191	118	4.2	1.10	14	159			98	4.5	1.30	15	141			87	4.7	1.45	GFA49R19 GFAF49R19 GF49R19 GFF49R19	4P	3.0	752			281.71	18	1.95	3.2	702	262.93	18	2.10	3.8	602	225.79	19	2.50	4.3	529			198.31	19	2.80	4.5	503			188.40	19	2.90	GFA99R59 GFAF99R59 GF99R59 GFF99R59	4P	0.15	14292			8822	84	0.85	0.17	12368	7634	86	1.00	GFA129R79 GFAF129R79 GF129R79 GFF129R79	4P	0.20	10868	6708	86	1.15			0.22	9589	5919	86	1.30			0.26	8339	5147	86	1.50					0.29	7336	4528	86	1.70			0.22	9646	5954	44	0.85	GFA109R79 GFAF109R79 GF109R79 GFF109R79	4P			0.25	8462	5223	47	0.95	0.29	7399	4567	49	1.10	0.38	5704	3521	53	1.40	0.44	4920			3037	54	1.65	0.48	4465			2756	55	1.80	GFA109R79 GFAF109R79 GF109R79 GFF109R79	4P	0.56	3838			2369	56	2.10	0.64	3350	2068	57	2.40	0.83	2587	1597	58	3.15	0.95	2270			1401	59	3.60	0.46	4710			2907	28	0.95	GFA109R79 GFAF109R79 GF109R79 GFF109R79	4P	0.52	4136			2553	29	1.05	0.59	3637	2245	30	1.20	0.68	3192	1970	31	1.40	0.77	2791			1723	32	1.60	0.87	2475			1528	33	1.80	GFA99R59 GFAF99R59 GF99R59 GFF99R59	4P	1.0	2150			1327	34	2.10	1.1	1897	1171	34	2.35	1.3	1656	1022	34	2.70	0.69	3127			1930	17	1.00	GFA89R59 GFAF89R59 GF89R59 GFF89R59	4P			0.78	2769	1709	23	1.10	0.89	2419			1493	24	1.30	1.0	2106	1300	25	1.50																																																																																																																																																															
13	125	100.36	4.8	1.55			15	108	86.53	4.9	1.75					16	101	80.65	5.0	1.90					19	88	70.50	5.0	2.20			GFA39 GFAF39 GF39 GFF39	4P	2.9	736	454	10	1.15	GFA49R19 GFAF49R19 GF49R19 GFF49R19	4P			20	82	66.09	5.1	2.30			22	73	58.32	5.1	2.60	3.4	625	386	8.7	1.00			GFA49R19 GFAF49R19 GF49R19 GFF49R19	4P	3.9	548	338							9.3	1.15	5.2			413	255	10	1.50	3.5	619	382	8.3	1.00	GFA49R19 GFAF49R19 GF49R19 GFF49R19	4P	4.0	535	330	9.2	1.15					4.5	483	298			10	1.25	5.1	424	262	10	1.45	5.9	366	226	10	1.70	6.7	324	200	10			1.90	GFA49R19 GFAF49R19 GF49R19 GFF49R19	4P	7.8	275			170	11	2.25			5.3	403	249	5.7	1.00	GFA49R19 GFAF49R19 GF49R19 GFF49R19	4P	6.1	353	218	6.3	1.15			6.9	313	193	6.7	1.30			7.6	284	175	6.9	1.45			5.3	410	253	5.6	1.00			GFA49R19 GFAF49R19 GF49R19 GFF49R19	4P	6.1	352	217	6.2	1.20					7.0	308	190	6.6	1.35	7.5	288	178	6.8	1.45	8.9	241	149	7.1	1.70	10	212	131	7.3			1.95	GFA49R19 GFAF49R19 GF49R19 GFF49R19	4P	9.2	235			145	3.5	0.85			10	209	129	3.9	1.00	11	191	118	4.2	1.10	14	159	98	4.5	1.30	15	141	87	4.7			1.45	GFA49R19 GFAF49R19 GF49R19 GFF49R19	4P	3.0	752			281.71	18	1.95			3.2	702	262.93	18	2.10	3.8	602	225.79	19	2.50	4.3	529	198.31	19	2.80	4.5	503	188.40	19			2.90	GFA99R59 GFAF99R59 GF99R59 GFF99R59	4P	0.15	14292			8822	84	0.85			0.17	12368	7634	86	1.00	GFA129R79 GFAF129R79 GF129R79 GFF129R79	4P	0.20	10868	6708	86	1.15			0.22	9589	5919	86	1.30			0.26	8339	5147	86	1.50			0.29	7336	4528	86	1.70			0.22	9646	5954	44	0.85	GFA109R79 GFAF109R79 GF109R79 GFF109R79	4P			0.25	8462	5223	47	0.95			0.29	7399	4567	49	1.10	0.38	5704	3521	53	1.40	0.44	4920	3037	54	1.65	0.48	4465	2756	55			1.80	GFA109R79 GFAF109R79 GF109R79 GFF109R79	4P	0.56	3838			2369	56	2.10			0.64	3350	2068	57	2.40	0.83	2587	1597	58	3.15	0.95	2270	1401	59	3.60	0.46	4710	2907	28			0.95	GFA109R79 GFAF109R79 GF109R79 GFF109R79	4P	0.52	4136			2553	29	1.05			0.59	3637	2245	30	1.20	0.68	3192	1970	31	1.40	0.77	2791	1723	32	1.60	0.87	2475	1528	33			1.80	GFA99R59 GFAF99R59 GF99R59 GFF99R59	4P	1.0	2150			1327	34	2.10			1.1	1897	1171	34	2.35	1.3	1656	1022	34	2.70	0.69	3127	1930	17	1.00	GFA89R59 GFAF89R59 GF89R59 GFF89R59	4P	0.78	2769			1709	23	1.10					0.89	2419	1493	24	1.30	1.0	2106	1300	25	1.50																																																																																																																																																																						
15	108	86.53	4.9	1.75			16	101	80.65	5.0	1.90					19	88	70.50	5.0	2.20	GFA39 GFAF39 GF39 GFF39	4P			2.9	736	454	10	1.15	GFA49R19 GFAF49R19 GF49R19 GFF49R19	4P			20	82	66.09	5.1	2.30					22	73	58.32	5.1	2.60			3.4	625	386	8.7	1.00	GFA49R19 GFAF49R19 GF49R19 GFF49R19	4P	3.9	548	338					9.3	1.15	5.2	413	255					10	1.50	3.5	619	382	8.3	1.00	GFA49R19 GFAF49R19 GF49R19 GFF49R19	4P	4.0	535	330	9.2	1.15			4.5	483	298	10	1.25					5.1	424	262	10	1.45	5.9	366	226	10	1.70	6.7	324	200	10	1.90	GFA49R19 GFAF49R19 GF49R19 GFF49R19	4P	7.8	275	170	11			2.25			5.3	403	249	5.7	1.00	GFA49R19 GFAF49R19 GF49R19 GFF49R19	4P			6.1	353	218	6.3	1.15			6.9	313	193	6.7	1.30			7.6	284	175	6.9	1.45			5.3	410	253	5.6	1.00	GFA49R19 GFAF49R19 GF49R19 GFF49R19	4P	6.1	352	217	6.2	1.20					7.0	308	190	6.6	1.35	7.5	288			178	6.8	1.45	8.9	241	149	7.1	1.70	10	212	131	7.3	1.95	GFA49R19 GFAF49R19 GF49R19 GFF49R19	4P	9.2	235	145	3.5			0.85			10	209	129	3.9	1.00	11	191			118	4.2	1.10	14	159	98	4.5	1.30	15	141	87	4.7	1.45	GFA49R19 GFAF49R19 GF49R19 GFF49R19	4P	3.0	752	281.71	18			1.95			3.2	702	262.93	18	2.10	3.8	602			225.79	19	2.50	4.3	529	198.31	19	2.80	4.5	503	188.40	19	2.90	GFA99R59 GFAF99R59 GF99R59 GFF99R59	4P	0.15	14292	8822	84			0.85			0.17	12368	7634	86	1.00	GFA129R79 GFAF129R79 GF129R79 GFF129R79	4P			0.20	10868	6708	86	1.15			0.22	9589	5919	86	1.30			0.26	8339	5147	86	1.50			0.29	7336	4528	86	1.70	0.22	9646	5954	44	0.85	GFA109R79 GFAF109R79 GF109R79 GFF109R79	4P			0.25	8462	5223	47	0.95			0.29	7399	4567	49	1.10	0.38	5704			3521	53	1.40	0.44	4920	3037	54	1.65	0.48	4465	2756	55	1.80	GFA109R79 GFAF109R79 GF109R79 GFF109R79	4P	0.56	3838	2369	56			2.10			0.64	3350	2068	57	2.40	0.83	2587			1597	58	3.15	0.95	2270	1401	59	3.60	0.46	4710	2907	28	0.95	GFA109R79 GFAF109R79 GF109R79 GFF109R79	4P	0.52	4136	2553	29			1.05			0.59	3637	2245	30	1.20	0.68	3192			1970	31	1.40	0.77	2791	1723	32	1.60	0.87	2475	1528	33	1.80	GFA99R59 GFAF99R59 GF99R59 GFF99R59	4P	1.0	2150	1327	34			2.10			1.1	1897	1171	34	2.35	1.3	1656			1022	34	2.70	0.69	3127	1930	17	1.00	GFA89R59 GFAF89R59 GF89R59 GFF89R59	4P	0.78	2769	1709	23	1.10			0.89	2419			1493	24	1.30			1.0	2106	1300	25	1.50																																																																																																																																																																													
16	101	80.65	5.0	1.90			19	88	70.50	5.0	2.20			GFA39 GFAF39 GF39 GFF39	4P	2.9	736	454	10	1.15			GFA49R19 GFAF49R19 GF49R19 GFF49R19	4P	20	82	66.09	5.1	2.30					22	73	58.32	5.1	2.60					3.4	625	386	8.7	1.00			GFA49R19 GFAF49R19 GF49R19 GFF49R19	4P	3.9	548	338			9.3	1.15	5.2	413	255			10	1.50	3.5	619	382	8.3	1.00			GFA49R19 GFAF49R19 GF49R19 GFF49R19	4P	4.0	535	330	9.2	1.15			4.5	483	298	10	1.25			5.1	424	262	10	1.45			5.9	366	226	10	1.70	6.7	324	200	10	1.90	GFA49R19 GFAF49R19 GF49R19 GFF49R19	4P	7.8	275	170	11	2.25			5.3	403	249	5.7	1.00	GFA49R19 GFAF49R19 GF49R19 GFF49R19	4P			6.1	353	218	6.3	1.15					6.9	313	193	6.7	1.30			7.6	284	175	6.9	1.45			5.3	410	253	5.6	1.00	GFA49R19 GFAF49R19 GF49R19 GFF49R19	4P	6.1	352	217	6.2	1.20			7.0	308	190	6.6	1.35	7.5	288			178	6.8	1.45	8.9	241	149	7.1			1.70	10	212	131	7.3	1.95	GFA49R19 GFAF49R19 GF49R19 GFF49R19	4P	9.2	235	145	3.5	0.85			10	209	129	3.9	1.00	11	191			118	4.2	1.10	14	159	98	4.5			1.30	15	141	87	4.7	1.45	GFA49R19 GFAF49R19 GF49R19 GFF49R19	4P	3.0	752	281.71	18	1.95			3.2	702	262.93	18	2.10	3.8	602			225.79	19	2.50	4.3	529	198.31	19			2.80	4.5	503	188.40	19	2.90	GFA99R59 GFAF99R59 GF99R59 GFF99R59	4P	0.15	14292	8822	84	0.85			0.17	12368	7634	86	1.00	GFA129R79 GFAF129R79 GF129R79 GFF129R79	4P			0.20	10868	6708	86	1.15					0.22	9589	5919	86	1.30			0.26	8339	5147	86	1.50			0.29	7336	4528	86	1.70	0.22	9646	5954	44	0.85	GFA109R79 GFAF109R79 GF109R79 GFF109R79	4P	0.25	8462	5223	47	0.95			0.29	7399	4567	49	1.10	0.38	5704			3521	53	1.40	0.44	4920	3037	54			1.65	0.48	4465	2756	55	1.80	GFA109R79 GFAF109R79 GF109R79 GFF109R79	4P	0.56	3838	2369	56	2.10			0.64	3350	2068	57	2.40	0.83	2587			1597	58	3.15	0.95	2270	1401	59			3.60	0.46	4710	2907	28	0.95	GFA109R79 GFAF109R79 GF109R79 GFF109R79	4P	0.52	4136	2553	29	1.05			0.59	3637	2245	30	1.20	0.68	3192			1970	31	1.40	0.77	2791	1723	32			1.60	0.87	2475	1528	33	1.80	GFA99R59 GFAF99R59 GF99R59 GFF99R59	4P	1.0	2150	1327	34	2.10			1.1	1897	1171	34	2.35	1.3	1656			1022	34	2.70	0.69	3127	1930	17			1.00	GFA89R59 GFAF89R59 GF89R59 GFF89R59	4P	0.78	2769	1709	23	1.10			0.89	2419	1493	24	1.30			1.0	2106	1300	25	1.50																																																																																																																																																																																						
19	88	70.50	5.0	2.20	GFA39 GFAF39 GF39 GFF39	4P	2.9	736	454	10	1.15	GFA49R19 GFAF49R19 GF49R19 GFF49R19	4P																																																																																																																																																																																																																																																																																																																																																																																																																																																																																																																																																																																																																																										
20	82	66.09	5.1	2.30			22	73	58.32	5.1	2.60					3.4	625	386	8.7	1.00					GFA49R19 GFAF49R19 GF49R19 GFF49R19	4P	3.9	548	338					9.3	1.15	5.2	413	255			10	1.50	3.5	619	382	8.3	1.00	GFA49R19 GFAF49R19 GF49R19 GFF49R19	4P			4.0	535	330			9.2	1.15	4.5	483	298			10	1.25	5.1	424	262	10	1.45	5.9	366			226	10	1.70	6.7	324			200	10	1.90	GFA49R19 GFAF49R19 GF49R19 GFF49R19	4P			7.8	275	170	11	2.25	5.3	403	249	5.7	1.00	GFA49R19 GFAF49R19 GF49R19 GFF49R19	4P	6.1	353	218	6.3	1.15			6.9	313	193	6.7	1.30			7.6	284	175	6.9	1.45					5.3	410	253	5.6	1.00			GFA49R19 GFAF49R19 GF49R19 GFF49R19	4P	6.1	352	217	6.2	1.20			7.0	308	190	6.6	1.35	7.5	288	178	6.8	1.45	8.9	241			149	7.1	1.70	10	212			131	7.3	1.95	GFA49R19 GFAF49R19 GF49R19 GFF49R19	4P	9.2	235			145	3.5	0.85	10	209	129	3.9	1.00	11	191	118	4.2	1.10	14	159			98	4.5	1.30	15	141			87	4.7	1.45	GFA49R19 GFAF49R19 GF49R19 GFF49R19	4P	3.0	752			281.71	18	1.95	3.2	702	262.93	18	2.10	3.8	602	225.79	19	2.50	4.3	529			198.31	19	2.80	4.5	503			188.40	19	2.90	GFA99R59 GFAF99R59 GF99R59 GFF99R59	4P	0.15	14292			8822	84	0.85	0.17	12368	7634	86	1.00	GFA129R79 GFAF129R79 GF129R79 GFF129R79	4P	0.20	10868	6708	86	1.15			0.22	9589	5919	86	1.30			0.26	8339	5147	86	1.50					0.29	7336	4528	86	1.70			0.22	9646	5954	44	0.85	GFA109R79 GFAF109R79 GF109R79 GFF109R79	4P			0.25	8462	5223	47	0.95	0.29	7399	4567	49	1.10	0.38	5704	3521	53	1.40	0.44	4920			3037	54	1.65	0.48	4465			2756	55	1.80	GFA109R79 GFAF109R79 GF109R79 GFF109R79	4P	0.56	3838			2369	56	2.10	0.64	3350	2068	57	2.40	0.83	2587	1597	58	3.15	0.95	2270			1401	59	3.60	0.46	4710			2907	28	0.95	GFA109R79 GFAF109R79 GF109R79 GFF109R79	4P	0.52	4136			2553	29	1.05	0.59	3637	2245	30	1.20	0.68	3192	1970	31	1.40	0.77	2791			1723	32	1.60	0.87	2475			1528	33	1.80	GFA99R59 GFAF99R59 GF99R59 GFF99R59	4P	1.0	2150			1327	34	2.10	1.1	1897	1171	34	2.35	1.3	1656	1022	34	2.70	0.69	3127			1930	17	1.00	GFA89R59 GFAF89R59 GF89R59 GFF89R59	4P			0.78	2769	1709	23	1.10	0.89	2419			1493	24	1.30	1.0	2106	1300	25	1.50																																																																																																																																																																																																													
22	73	58.32	5.1	2.60			3.4	625	386	8.7	1.00					GFA49R19 GFAF49R19 GF49R19 GFF49R19	4P	3.9	548	338							9.3	1.15	5.2			413	255	10	1.50	3.5	619	382	8.3	1.00	GFA49R19 GFAF49R19 GF49R19 GFF49R19	4P	4.0	535	330	9.2	1.15					4.5	483	298			10	1.25	5.1	424	262	10	1.45	5.9	366	226	10	1.70	6.7	324	200	10			1.90	GFA49R19 GFAF49R19 GF49R19 GFF49R19	4P	7.8	275			170	11	2.25			5.3	403	249	5.7	1.00	GFA49R19 GFAF49R19 GF49R19 GFF49R19	4P	6.1	353	218	6.3	1.15			6.9	313	193	6.7	1.30			7.6	284	175	6.9	1.45			5.3	410	253	5.6	1.00			GFA49R19 GFAF49R19 GF49R19 GFF49R19	4P	6.1	352	217	6.2	1.20					7.0	308	190	6.6	1.35	7.5	288	178	6.8	1.45	8.9	241	149	7.1	1.70	10	212	131	7.3			1.95	GFA49R19 GFAF49R19 GF49R19 GFF49R19	4P	9.2	235			145	3.5	0.85			10	209	129	3.9	1.00	11	191	118	4.2	1.10	14	159	98	4.5	1.30	15	141	87	4.7			1.45	GFA49R19 GFAF49R19 GF49R19 GFF49R19	4P	3.0	752			281.71	18	1.95			3.2	702	262.93	18	2.10	3.8	602	225.79	19	2.50	4.3	529	198.31	19	2.80	4.5	503	188.40	19			2.90	GFA99R59 GFAF99R59 GF99R59 GFF99R59	4P	0.15	14292			8822	84	0.85			0.17	12368	7634	86	1.00	GFA129R79 GFAF129R79 GF129R79 GFF129R79	4P	0.20	10868	6708	86	1.15			0.22	9589	5919	86	1.30			0.26	8339	5147	86	1.50			0.29	7336	4528	86	1.70			0.22	9646	5954	44	0.85	GFA109R79 GFAF109R79 GF109R79 GFF109R79	4P			0.25	8462	5223	47	0.95			0.29	7399	4567	49	1.10	0.38	5704	3521	53	1.40	0.44	4920	3037	54	1.65	0.48	4465	2756	55			1.80	GFA109R79 GFAF109R79 GF109R79 GFF109R79	4P	0.56	3838			2369	56	2.10			0.64	3350	2068	57	2.40	0.83	2587	1597	58	3.15	0.95	2270	1401	59	3.60	0.46	4710	2907	28			0.95	GFA109R79 GFAF109R79 GF109R79 GFF109R79	4P	0.52	4136			2553	29	1.05			0.59	3637	2245	30	1.20	0.68	3192	1970	31	1.40	0.77	2791	1723	32	1.60	0.87	2475	1528	33			1.80	GFA99R59 GFAF99R59 GF99R59 GFF99R59	4P	1.0	2150			1327	34	2.10			1.1	1897	1171	34	2.35	1.3	1656	1022	34	2.70	0.69	3127	1930	17	1.00	GFA89R59 GFAF89R59 GF89R59 GFF89R59	4P	0.78	2769			1709	23	1.10					0.89	2419	1493	24	1.30	1.0	2106	1300	25	1.50																																																																																																																																																																																																																				
3.4	625	386	8.7	1.00			GFA49R19 GFAF49R19 GF49R19 GFF49R19	4P																																																																																																																																																																																																																																																																																																																																																																																																																																																																																																																																																																																																																																															
3.9	548	338	9.3	1.15					5.2	413	255			10	1.50			3.5	619	382	8.3	1.00	GFA49R19 GFAF49R19 GF49R19 GFF49R19	4P			4.0	535	330	9.2	1.15	4.5	483	298	10	1.25	5.1	424	262	10			1.45	5.9	366	226	10			1.70	6.7	324	200	10	1.90	GFA49R19 GFAF49R19 GF49R19 GFF49R19	4P	7.8	275	170	11	2.25	5.3	403	249	5.7	1.00	GFA49R19 GFAF49R19 GF49R19 GFF49R19	4P	6.1	353	218	6.3	1.15	6.9			313	193	6.7	1.30	7.6	284	175			6.9	1.45	5.3	410	253			5.6	1.00	GFA49R19 GFAF49R19 GF49R19 GFF49R19	4P	6.1			352	217	6.2	1.20	7.0	308	190	6.6	1.35	7.5	288	178	6.8	1.45	8.9	241	149	7.1	1.70	10	212			131	7.3	1.95	GFA49R19 GFAF49R19 GF49R19 GFF49R19	4P	9.2	235			145	3.5	0.85	10	209	129	3.9	1.00	11	191	118	4.2	1.10	14	159	98	4.5	1.30	15	141	87	4.7			1.45	GFA49R19 GFAF49R19 GF49R19 GFF49R19	4P	3.0	752	281.71	18			1.95	3.2	702	262.93	18	2.10	3.8	602	225.79	19	2.50	4.3	529	198.31	19	2.80	4.5	503	188.40	19	2.90	GFA99R59 GFAF99R59 GF99R59 GFF99R59			4P	0.15	14292	8822	84	0.85	0.17			12368	7634	86	1.00	GFA129R79 GFAF129R79 GF129R79 GFF129R79	4P	0.20	10868	6708	86	1.15	0.22	9589	5919	86	1.30	0.26	8339	5147	86	1.50	0.29			7336	4528	86	1.70	0.22	9646	5954			44	0.85	GFA109R79 GFAF109R79 GF109R79 GFF109R79	4P	0.25			8462	5223	47	0.95	0.29			7399	4567	49	1.10	0.38	5704	3521	53	1.40	0.44	4920	3037	54	1.65	0.48	4465	2756	55	1.80	GFA109R79 GFAF109R79 GF109R79 GFF109R79	4P	0.56	3838	2369	56	2.10			0.64	3350	2068	57	2.40	0.83	2587			1597	58	3.15	0.95	2270	1401	59	3.60	0.46	4710	2907	28	0.95	GFA109R79 GFAF109R79 GF109R79 GFF109R79	4P	0.52	4136	2553	29	1.05	0.59	3637			2245	30	1.20	0.68	3192	1970	31			1.40	0.77	2791	1723	32	1.60	0.87	2475	1528	33	1.80	GFA99R59 GFAF99R59 GF99R59 GFF99R59	4P	1.0	2150	1327	34	2.10	1.1	1897	1171	34			2.35	1.3	1656	1022	34	2.70	0.69			3127	1930	17	1.00	GFA89R59 GFAF89R59 GF89R59 GFF89R59	4P	0.78	2769	1709	23	1.10	0.89	2419	1493	24	1.30	1.0	2106	1300	25	1.50																																																																																																																																																																																																																																																																						
5.2	413	255	10	1.50	3.5	619			382	8.3	1.00	GFA49R19 GFAF49R19 GF49R19 GFF49R19	4P	4.0	535			330	9.2	1.15	4.5	483					298	10	1.25	5.1	424	262	10	1.45	5.9	366	226	10	1.70	6.7			324	200	10	1.90	GFA49R19 GFAF49R19 GF49R19 GFF49R19			4P	7.8	275	170	11	2.25			5.3	403	249	5.7	1.00	GFA49R19 GFAF49R19 GF49R19 GFF49R19	4P	6.1	353	218			6.3	1.15	6.9	313	193	6.7			1.30	7.6	284	175	6.9	1.45	5.3			410	253	5.6	1.00	GFA49R19 GFAF49R19 GF49R19 GFF49R19			4P	6.1			352			217	6.2	1.20	7.0	308	190	6.6	1.35	7.5	288	178	6.8	1.45	8.9	241	149	7.1	1.70	10	212	131			7.3	1.95	GFA49R19 GFAF49R19 GF49R19 GFF49R19			4P	9.2			235	145	3.5	0.85	10	209	129	3.9	1.00	11	191	118	4.2	1.10	14	159	98	4.5	1.30	15	141	87			4.7			1.45	GFA49R19 GFAF49R19 GF49R19 GFF49R19	4P	3.0			752	281.71	18	1.95	3.2	702	262.93	18	2.10	3.8	602	225.79	19	2.50	4.3	529	198.31	19	2.80	4.5	503					188.40	19	2.90	GFA99R59 GFAF99R59 GF99R59 GFF99R59	4P	0.15			14292	8822	84	0.85			0.17	12368	7634	86	1.00	GFA129R79 GFAF129R79 GF129R79 GFF129R79	4P	0.20	10868	6708	86	1.15	0.22	9589	5919	86			1.30	0.26	8339	5147	86	1.50	0.29			7336	4528			86			1.70	0.22	9646	5954	44			0.85	GFA109R79 GFAF109R79 GF109R79 GFF109R79	4P	0.25	8462	5223	47	0.95	0.29	7399	4567	49	1.10	0.38	5704	3521	53	1.40	0.44			4920	3037	54	1.65	0.48			4465	2756	55	1.80	GFA109R79 GFAF109R79 GF109R79 GFF109R79	4P	0.56			3838	2369	56	2.10	0.64	3350	2068	57	2.40	0.83	2587	1597	58			3.15	0.95	2270	1401	59	3.60	0.46			4710	2907	28	0.95	GFA109R79 GFAF109R79 GF109R79 GFF109R79	4P	0.52			4136	2553	29	1.05	0.59	3637	2245	30	1.20	0.68	3192			1970	31	1.40	0.77	2791	1723	32	1.60	0.87			2475	1528	33	1.80	GFA99R59 GFAF99R59 GF99R59 GFF99R59	4P	1.0			2150	1327	34	2.10			1.1	1897	1171	34	2.35	1.3	1656	1022	34	2.70	0.69	3127	1930	17	1.00	GFA89R59 GFAF89R59 GF89R59 GFF89R59			4P	0.78	2769	1709	23	1.10	0.89			2419	1493	24	1.30	1.0	2106	1300	25	1.50																																																																																																																																																																																																																																																	
3.5	619	382	8.3	1.00	GFA49R19 GFAF49R19 GF49R19 GFF49R19	4P																																																																																																																																																																																																																																																																																																																																																																																																																																																																																																																																																																																																																																																	
4.0	535	330	9.2	1.15					4.5	483	298			10	1.25	5.1	424	262	10	1.45	5.9	366			226	10	1.70	6.7	324	200	10	1.90	GFA49R19 GFAF49R19 GF49R19 GFF49R19	4P	7.8	275	170	11	2.25	5.3	403	249	5.7	1.00	GFA49R19 GFAF49R19 GF49R19 GFF49R19	4P		6.1	353		218	6.3	1.15	6.9	313			193	6.7	1.30	7.6	284			175	6.9	1.45			5.3	410	253	5.6	1.00	GFA49R19 GFAF49R19 GF49R19 GFF49R19	4P	6.1	352	217	6.2	1.20	7.0	308	190	6.6	1.35	7.5	288	178	6.8		1.45	8.9		241			149	7.1	1.70	10	212	131	7.3	1.95	GFA49R19 GFAF49R19 GF49R19 GFF49R19	4P	9.2	235	145	3.5	0.85	10	209	129	3.9	1.00	11	191	118	4.2	1.10	14	159	98					4.5	1.30	15	141	87	4.7	1.45	GFA49R19 GFAF49R19 GF49R19 GFF49R19	4P	3.0	752	281.71	18	1.95	3.2	702	262.93	18	2.10	3.8	602	225.79	19	2.50	4.3	529	198.31	19			2.80			4.5	503	188.40	19	2.90	GFA99R59 GFAF99R59 GF99R59 GFF99R59	4P	0.15	14292	8822	84	0.85	0.17	12368	7634	86	1.00	GFA129R79 GFAF129R79 GF129R79 GFF129R79	4P	0.20	10868	6708	86	1.15		0.22	9589		5919	86	1.30			0.26	8339	5147	86	1.50	0.29	7336			4528	86	1.70	0.22	9646			5954	44	0.85	GFA109R79 GFAF109R79 GF109R79 GFF109R79	4P	0.25	8462	5223	47	0.95	0.29	7399	4567	49	1.10	0.38	5704	3521	53	1.40	0.44	4920			3037	54	1.65	0.48	4465	2756	55	1.80	GFA109R79 GFAF109R79 GF109R79 GFF109R79	4P	0.56			3838	2369	56	2.10	0.64	3350	2068	57	2.40	0.83	2587	1597	58	3.15	0.95	2270			1401	59	3.60	0.46	4710	2907	28	0.95	GFA109R79 GFAF109R79 GF109R79 GFF109R79	4P	0.52			4136	2553	29	1.05	0.59	3637	2245	30	1.20	0.68	3192	1970	31	1.40	0.77	2791			1723	32	1.60	0.87	2475	1528	33	1.80	GFA99R59 GFAF99R59 GF99R59 GFF99R59	4P	1.0	2150	1327			34	2.10	1.1	1897	1171	34	2.35	1.3	1656	1022	34	2.70	0.69	3127			1930	17	1.00	GFA89R59 GFAF89R59 GF89R59 GFF89R59	4P	0.78	2769	1709	23	1.10	0.89	2419	1493	24	1.30			1.0	2106	1300	25	1.50																																																																																																																																																																																																																																																																																									
4.5	483	298	10	1.25			5.1	424	262	10	1.45			5.9	366	226	10	1.70	6.7	324	200	10			1.90	GFA49R19 GFAF49R19 GF49R19 GFF49R19	4P	7.8	275	170	11	2.25			5.3	403	249	5.7	1.00	GFA49R19 GFAF49R19 GF49R19 GFF49R19	4P	6.1	353	218				6.3	1.15		6.9	313	193	6.7	1.30			7.6	284	175	6.9	1.45			5.3	410	253			5.6	1.00	GFA49R19 GFAF49R19 GF49R19 GFF49R19	4P	6.1			352	217	6.2	1.20	7.0	308	190	6.6	1.35	7.5	288	178	6.8	1.45		8.9	241		149			7.1	1.70	10	212	131	7.3	1.95	GFA49R19 GFAF49R19 GF49R19 GFF49R19			4P	9.2	235	145	3.5	0.85	10	209	129	3.9	1.00	11	191	118	4.2	1.10	14	159					98	4.5	1.30	15	141	87	4.7			1.45	GFA49R19 GFAF49R19 GF49R19 GFF49R19	4P	3.0	752	281.71	18	1.95	3.2	702	262.93	18	2.10	3.8	602	225.79	19	2.50	4.3			529			198.31	19	2.80	4.5	503			188.40	19	2.90	GFA99R59 GFAF99R59 GF99R59 GFF99R59	4P	0.15	14292	8822	84	0.85			0.17	12368	7634	86	1.00		GFA129R79 GFAF129R79 GF129R79 GFF129R79	4P		0.20	10868	6708			86	1.15	0.22	9589	5919	86	1.30			0.26	8339	5147	86	1.50			0.29	7336	4528			86	1.70	0.22	9646	5954	44	0.85	GFA109R79 GFAF109R79 GF109R79 GFF109R79	4P	0.25	8462	5223	47	0.95	0.29	7399	4567			49	1.10	0.38	5704	3521	53	1.40	0.44			4920			3037	54	1.65	0.48	4465	2756	55	1.80	GFA109R79 GFAF109R79 GF109R79 GFF109R79	4P	0.56	3838	2369	56	2.10	0.64			3350	2068	57	2.40	0.83	2587	1597	58			3.15			0.95	2270	1401	59	3.60	0.46	4710	2907	28	0.95	GFA109R79 GFAF109R79 GF109R79 GFF109R79	4P	0.52	4136	2553	29			1.05	0.59	3637	2245	30	1.20	0.68	3192			1970	31	1.40			0.77	2791	1723	32	1.60	0.87	2475	1528	33	1.80	GFA99R59 GFAF99R59 GF99R59 GFF99R59	4P	1.0	2150			1327	34	2.10			1.1	1897	1171	34	2.35	1.3	1656	1022	34	2.70			0.69	3127	1930	17	1.00	GFA89R59 GFAF89R59 GF89R59 GFF89R59	4P			0.78	2769	1709	23	1.10	0.89	2419	1493	24	1.30	1.0	2106	1300	25	1.50																																																																																																																																																																																																																																																																						
5.1	424	262	10	1.45			5.9	366	226	10	1.70			6.7	324	200	10	1.90	GFA49R19 GFAF49R19 GF49R19 GFF49R19	4P	7.8	275	170	11	2.25			5.3	403	249	5.7	1.00			GFA49R19 GFAF49R19 GF49R19 GFF49R19	4P	6.1	353	218			6.3	1.15	6.9				313	193		6.7	1.30	7.6	284	175	6.9	1.45	5.3	410	253	5.6	1.00			GFA49R19 GFAF49R19 GF49R19 GFF49R19	4P	6.1	352	217	6.2	1.20			7.0			308	190	6.6	1.35	7.5	288	178	6.8	1.45	8.9	241	149	7.1	1.70		10	212		131	7.3	1.95	GFA49R19 GFAF49R19 GF49R19 GFF49R19	4P	9.2	235	145	3.5	0.85					10	209	129	3.9	1.00	11	191	118	4.2	1.10	14	159	98	4.5	1.30	15	141		87	4.7		1.45	GFA49R19 GFAF49R19 GF49R19 GFF49R19	4P	3.0	752	281.71	18			1.95			3.2	702	262.93	18	2.10	3.8	602	225.79	19	2.50	4.3	529	198.31	19	2.80	4.5	503	188.40	19			2.90	GFA99R59 GFAF99R59 GF99R59 GFF99R59	4P	0.15	14292			8822	84	0.85			0.17	12368	7634	86	1.00			GFA129R79 GFAF129R79 GF129R79 GFF129R79	4P	0.20	10868	6708	86			1.15	0.22	9589	5919			86	1.30	0.26	8339	5147	86	1.50	0.29	7336	4528	86	1.70	0.22	9646			5954	44	0.85			GFA109R79 GFAF109R79 GF109R79 GFF109R79	4P	0.25	8462	5223	47	0.95			0.29	7399	4567	49	1.10	0.38	5704	3521	53	1.40	0.44	4920	3037	54	1.65	0.48	4465	2756			55			1.80	GFA109R79 GFAF109R79 GF109R79 GFF109R79	4P	0.56	3838	2369	56	2.10			0.64	3350	2068	57	2.40	0.83	2587	1597	58	3.15	0.95	2270	1401	59	3.60	0.46			4710			2907	28	0.95	GFA109R79 GFAF109R79 GF109R79 GFF109R79	4P	0.52	4136	2553	29	1.05			0.59	3637	2245	30	1.20	0.68	3192	1970	31	1.40	0.77	2791	1723	32			1.60	0.87	2475			1528	33	1.80	GFA99R59 GFAF99R59 GF99R59 GFF99R59	4P	1.0	2150	1327	34	2.10			1.1	1897	1171	34	2.35	1.3	1656			1022	34	2.70	0.69	3127	1930	17	1.00	GFA89R59 GFAF89R59 GF89R59 GFF89R59	4P			0.78	2769	1709	23	1.10			0.89	2419	1493	24	1.30	1.0	2106	1300	25	1.50																																																																																																																																																																																																																																																																													
5.9	366	226	10	1.70			6.7	324	200	10	1.90	GFA49R19 GFAF49R19 GF49R19 GFF49R19	4P	7.8	275	170	11	2.25			5.3	403	249	5.7	1.00			GFA49R19 GFAF49R19 GF49R19 GFF49R19	4P	6.1	353	218					6.3	1.15	6.9			313	193	6.7			1.30	7.6	284	175	6.9	1.45	5.3	410	253	5.6	1.00	GFA49R19 GFAF49R19 GF49R19 GFF49R19	4P	6.1	352	217	6.2	1.20			7.0	308	190	6.6	1.35			7.5			288	178	6.8	1.45	8.9	241	149	7.1	1.70	10	212	131	7.3	1.95	GFA49R19 GFAF49R19 GF49R19 GFF49R19	4P	9.2	235	145	3.5	0.85			10	209	129	3.9	1.00					11	191	118	4.2	1.10	14	159	98	4.5	1.30	15	141	87	4.7	1.45	GFA49R19 GFAF49R19 GF49R19 GFF49R19	4P	3.0	752	281.71	18	1.95			3.2	702	262.93	18			2.10			3.8	602	225.79	19	2.50	4.3	529	198.31	19	2.80	4.5	503	188.40	19	2.90	GFA99R59 GFAF99R59 GF99R59 GFF99R59	4P	0.15	14292	8822	84	0.85			0.17	12368			7634	86	1.00			GFA129R79 GFAF129R79 GF129R79 GFF129R79	4P	0.20	10868	6708					86	1.15	0.22	9589			5919	86	1.30	0.26	8339	5147	86	1.50	0.29	7336	4528	86	1.70	0.22	9646	5954	44	0.85	GFA109R79 GFAF109R79 GF109R79 GFF109R79	4P	0.25	8462	5223	47	0.95					0.29	7399	4567	49	1.10			0.38	5704	3521	53	1.40	0.44	4920	3037	54	1.65	0.48	4465	2756	55	1.80	GFA109R79 GFAF109R79 GF109R79 GFF109R79	4P	0.56			3838	2369	56	2.10			0.64	3350	2068	57	2.40			0.83	2587	1597	58	3.15	0.95	2270	1401	59	3.60	0.46	4710	2907	28	0.95	GFA109R79 GFAF109R79 GF109R79 GFF109R79			4P	0.52	4136	2553	29	1.05			0.59	3637	2245	30	1.20			0.68	3192	1970	31	1.40	0.77	2791	1723	32	1.60	0.87	2475	1528	33			1.80	GFA99R59 GFAF99R59 GF99R59 GFF99R59	4P	1.0	2150	1327	34	2.10			1.1	1897	1171	34	2.35			1.3	1656	1022	34	2.70	0.69	3127			1930	17	1.00	GFA89R59 GFAF89R59 GF89R59 GFF89R59	4P	0.78	2769	1709			23	1.10	0.89	2419	1493	24	1.30			1.0	2106	1300	25	1.50																																																																																																																																																																																																																																																																																		
6.7	324	200	10	1.90	GFA49R19 GFAF49R19 GF49R19 GFF49R19	4P																																																																																																																																																																																																																																																																																																																																																																																																																																																																																																																																																																																																																																																	
7.8	275	170	11	2.25			5.3	403	249	5.7	1.00			GFA49R19 GFAF49R19 GF49R19 GFF49R19	4P	6.1	353	218			6.3	1.15	6.9	313	193					6.7	1.30	7.6	284	175			6.9	1.45	5.3			410	253	5.6	1.00	GFA49R19 GFAF49R19 GF49R19 GFF49R19	4P	6.1	352	217	6.2	1.20	7.0	308	190	6.6	1.35			7.5	288	178	6.8	1.45			8.9	241	149	7.1	1.70			10	212	131	7.3	1.95	GFA49R19 GFAF49R19 GF49R19 GFF49R19	4P	9.2	235	145	3.5	0.85	10	209	129	3.9	1.00			11	191	118	4.2	1.10			14	159	98	4.5	1.30		15	141		87	4.7	1.45	GFA49R19 GFAF49R19 GF49R19 GFF49R19	4P	3.0	752	281.71	18	1.95	3.2	702	262.93	18	2.10			3.8	602	225.79	19	2.50			4.3	529	198.31	19	2.80	4.5	503			188.40	19	2.90	GFA99R59 GFAF99R59 GF99R59 GFF99R59	4P	0.15	14292	8822	84	0.85	0.17	12368	7634	86	1.00			GFA129R79 GFAF129R79 GF129R79 GFF129R79	4P	0.20	10868	6708			86	1.15	0.22	9589	5919	86	1.30					0.26	8339	5147	86	1.50			0.29	7336	4528	86			1.70	0.22	9646	5954	44	0.85	GFA109R79 GFAF109R79 GF109R79 GFF109R79	4P	0.25	8462	5223	47	0.95	0.29	7399	4567	49	1.10			0.38	5704	3521	53	1.40	0.44	4920			3037	54	1.65	0.48	4465			2756	55	1.80	GFA109R79 GFAF109R79 GF109R79 GFF109R79	4P	0.56	3838	2369	56	2.10	0.64	3350	2068	57	2.40			0.83	2587	1597	58	3.15	0.95	2270			1401	59	3.60	0.46	4710			2907	28	0.95	GFA109R79 GFAF109R79 GF109R79 GFF109R79	4P	0.52	4136	2553	29	1.05	0.59	3637	2245	30	1.20		0.68	3192		1970	31	1.40	0.77	2791			1723	32	1.60	0.87	2475			1528	33	1.80	GFA99R59 GFAF99R59 GF99R59 GFF99R59	4P	1.0	2150	1327	34	2.10	1.1	1897	1171	34	2.35	1.3	1656			1022	34	2.70	0.69	3127			1930	17	1.00	GFA89R59 GFAF89R59 GF89R59 GFF89R59	4P			0.78	2769	1709	23	1.10	0.89	2419	1493	24	1.30	1.0	2106			1300	25	1.50																																																																																																																																																																																																																																																																																																		
5.3	403	249	5.7	1.00			GFA49R19 GFAF49R19 GF49R19 GFF49R19	4P																																																																																																																																																																																																																																																																																																																																																																																																																																																																																																																																																																																																																																															
6.1	353	218	6.3	1.15					6.9	313	193					6.7	1.30	7.6	284	175	6.9	1.45	5.3	410	253	5.6	1.00			GFA49R19 GFAF49R19 GF49R19 GFF49R19	4P	6.1	352	217	6.2	1.20	7.0	308	190	6.6	1.35	7.5	288	178	6.8			1.45	8.9	241	149	7.1	1.70	10	212	131	7.3			1.95	GFA49R19 GFAF49R19 GF49R19 GFF49R19	4P	9.2	235	145	3.5	0.85	10	209	129	3.9	1.00	11	191	118	4.2	1.10	14			159	98	4.5	1.30	15	141	87	4.7	1.45	GFA49R19 GFAF49R19 GF49R19 GFF49R19			4P	3.0	752	281.71	18	1.95	3.2	702	262.93	18	2.10	3.8	602	225.79	19	2.50	4.3	529	198.31			19	2.80	4.5	503	188.40	19	2.90	GFA99R59 GFAF99R59 GF99R59 GFF99R59	4P	0.15			14292	8822	84	0.85	0.17	12368	7634	86	1.00	GFA129R79 GFAF129R79 GF129R79 GFF129R79	4P	0.20	10868	6708	86	1.15	0.22	9589	5919			86	1.30	0.26	8339	5147	86	1.50	0.29	7336	4528					86	1.70	0.22	9646	5954	44	0.85	GFA109R79 GFAF109R79 GF109R79 GFF109R79	4P	0.25	8462	5223	47	0.95			0.29	7399	4567	49	1.10	0.38	5704	3521	53	1.40	0.44	4920	3037	54	1.65	0.48	4465	2756	55			1.80	GFA109R79 GFAF109R79 GF109R79 GFF109R79	4P	0.56	3838	2369	56	2.10	0.64	3350			2068	57	2.40	0.83	2587	1597	58	3.15	0.95	2270	1401	59	3.60	0.46	4710	2907	28	0.95	GFA109R79 GFAF109R79 GF109R79 GFF109R79			4P	0.52	4136	2553	29	1.05	0.59	3637	2245	30			1.20	0.68	3192	1970	31	1.40	0.77	2791	1723	32	1.60	0.87	2475	1528	33	1.80	GFA99R59 GFAF99R59 GF99R59 GFF99R59	4P	1.0			2150	1327	34	2.10	1.1	1897	1171	34	2.35	1.3		1656	1022		34	2.70	0.69	3127	1930	17	1.00	GFA89R59 GFAF89R59 GF89R59 GFF89R59	4P	0.78	2769	1709	23	1.10	0.89	2419	1493			24	1.30	1.0	2106	1300	25	1.50																																																																																																																																																																																																																																																																																																																																								
6.9	313	193	6.7	1.30					7.6	284	175	6.9	1.45			5.3	410	253	5.6	1.00	GFA49R19 GFAF49R19 GF49R19 GFF49R19	4P	6.1	352	217	6.2	1.20	7.0	308			190	6.6	1.35	7.5	288	178	6.8	1.45	8.9	241	149	7.1	1.70	10			212	131	7.3	1.95	GFA49R19 GFAF49R19 GF49R19 GFF49R19	4P	9.2	235	145	3.5	0.85	10	209			129	3.9	1.00	11	191	118	4.2	1.10	14	159	98	4.5	1.30	15	141	87			4.7	1.45	GFA49R19 GFAF49R19 GF49R19 GFF49R19	4P	3.0	752	281.71	18	1.95		3.2	702		262.93	18	2.10	3.8	602	225.79	19	2.50	4.3	529	198.31	19	2.80	4.5	503	188.40	19	2.90			GFA99R59 GFAF99R59 GF99R59 GFF99R59	4P	0.15	14292	8822	84	0.85			0.17	12368	7634	86	1.00	GFA129R79 GFAF129R79 GF129R79 GFF129R79	4P	0.20	10868	6708	86	1.15			0.22	9589	5919	86	1.30	0.26	8339	5147			86	1.50	0.29	7336	4528	86	1.70	0.22	9646	5954	44	0.85			GFA109R79 GFAF109R79 GF109R79 GFF109R79	4P	0.25	8462	5223	47	0.95			0.29	7399	4567	49	1.10	0.38	5704	3521	53	1.40	0.44	4920	3037	54	1.65	0.48	4465	2756	55	1.80	GFA109R79 GFAF109R79 GF109R79 GFF109R79	4P	0.56	3838	2369	56			2.10			0.64	3350	2068	57	2.40	0.83	2587	1597	58	3.15	0.95	2270	1401	59	3.60	0.46	4710	2907	28	0.95	GFA109R79 GFAF109R79 GF109R79 GFF109R79	4P	0.52	4136	2553	29	1.05					0.59	3637	2245	30	1.20	0.68	3192	1970	31	1.40	0.77	2791	1723	32	1.60	0.87	2475	1528	33	1.80	GFA99R59 GFAF99R59 GF99R59 GFF99R59	4P	1.0	2150	1327	34	2.10			1.1			1897	1171	34	2.35	1.3	1656	1022	34	2.70	0.69	3127	1930	17	1.00	GFA89R59 GFAF89R59 GF89R59 GFF89R59	4P	0.78	2769	1709	23	1.10			0.89	2419	1493	24	1.30	1.0	2106	1300			25	1.50																																																																																																																																																																																																																																																																																																																																													
7.6	284	175	6.9	1.45	5.3	410			253	5.6	1.00	GFA49R19 GFAF49R19 GF49R19 GFF49R19	4P			6.1	352	217	6.2	1.20			7.0	308	190	6.6	1.35	7.5	288			178	6.8	1.45	8.9	241	149	7.1	1.70	10	212	131	7.3	1.95	GFA49R19 GFAF49R19 GF49R19 GFF49R19			4P	9.2	235	145			3.5	0.85	10	209	129	3.9	1.00			11	191	118	4.2	1.10	14	159	98	4.5	1.30	15	141	87	4.7	1.45	GFA49R19 GFAF49R19 GF49R19 GFF49R19			4P	3.0			752	281.71	18	1.95	3.2		702	262.93		18	2.10	3.8	602	225.79	19	2.50	4.3	529	198.31	19	2.80	4.5	503	188.40	19	2.90	GFA99R59 GFAF99R59 GF99R59 GFF99R59					4P	0.15	14292	8822	84			0.85	0.17	12368	7634	86			1.00	GFA129R79 GFAF129R79 GF129R79 GFF129R79	4P	0.20	10868			6708	86	1.15	0.22	9589	5919	86	1.30			0.26	8339	5147	86	1.50	0.29	7336	4528	86	1.70	0.22	9646					5954	44	0.85	GFA109R79 GFAF109R79 GF109R79 GFF109R79	4P			0.25	8462	5223	47	0.95	0.29	7399	4567	49	1.10	0.38	5704	3521	53	1.40	0.44	4920	3037	54	1.65			0.48	4465	2756	55			1.80			GFA109R79 GFAF109R79 GF109R79 GFF109R79	4P	0.56	3838	2369	56	2.10	0.64	3350	2068	57	2.40	0.83	2587	1597	58	3.15	0.95	2270	1401			59	3.60	0.46	4710	2907					28	0.95	GFA109R79 GFAF109R79 GF109R79 GFF109R79	4P	0.52	4136	2553	29	1.05	0.59	3637	2245	30	1.20	0.68	3192	1970	31	1.40	0.77			2791	1723	32	1.60	0.87			2475			1528	33	1.80	GFA99R59 GFAF99R59 GF99R59 GFF99R59	4P	1.0	2150	1327	34	2.10	1.1	1897	1171	34			2.35	1.3	1656	1022	34			2.70	0.69	3127	1930	17	1.00	GFA89R59 GFAF89R59 GF89R59 GFF89R59	4P			0.78	2769	1709	23	1.10	0.89	2419	1493	24	1.30	1.0	2106	1300	25	1.50																																																																																																																																																																																																																																																																																																																																
5.3	410	253	5.6	1.00	GFA49R19 GFAF49R19 GF49R19 GFF49R19	4P																																																																																																																																																																																																																																																																																																																																																																																																																																																																																																																																																																																																																																																	
6.1	352	217	6.2	1.20			7.0	308	190	6.6	1.35			7.5	288	178	6.8	1.45	8.9	241			149	7.1	1.70	10	212	131	7.3			1.95	GFA49R19 GFAF49R19 GF49R19 GFF49R19	4P	9.2	235	145	3.5	0.85	10	209	129	3.9	1.00		11	191		118	4.2	1.10			14	159	98	4.5	1.30	15	141			87	4.7	1.45	GFA49R19 GFAF49R19 GF49R19 GFF49R19	4P	3.0	752	281.71	18	1.95	3.2	702	262.93	18	2.10		3.8	602		225.79			19	2.50	4.3	529	198.31		19	2.80		4.5	503	188.40	19	2.90	GFA99R59 GFAF99R59 GF99R59 GFF99R59	4P	0.15	14292	8822	84	0.85	0.17	12368	7634	86	1.00		GFA129R79 GFAF129R79 GF129R79 GFF129R79	4P				0.20	10868	6708	86			1.15	0.22	9589	5919	86			1.30			0.26	8339			5147	86	1.50	0.29	7336	4528	86	1.70	0.22	9646	5954	44	0.85	GFA109R79 GFAF109R79 GF109R79 GFF109R79	4P	0.25	8462	5223	47	0.95	0.29	7399	4567	49			1.10	0.38	5704					3521	53	1.40	0.44	4920	3037	54	1.65	0.48	4465	2756	55	1.80	GFA109R79 GFAF109R79 GF109R79 GFF109R79	4P	0.56	3838	2369	56	2.10			0.64	3350	2068	57	2.40	0.83	2587					1597	58	3.15	0.95	2270	1401	59	3.60	0.46	4710	2907	28	0.95	GFA109R79 GFAF109R79 GF109R79 GFF109R79	4P	0.52	4136	2553			29	1.05	0.59	3637	2245		30	1.20		0.68	3192			1970	31	1.40	0.77	2791	1723	32	1.60	0.87	2475	1528	33	1.80	GFA99R59 GFAF99R59 GF99R59 GFF99R59	4P	1.0			2150	1327	34	2.10	1.1			1897	1171	34	2.35	1.3	1656			1022	34	2.70	0.69	3127	1930	17	1.00	GFA89R59 GFAF89R59 GF89R59 GFF89R59			4P	0.78	2769	1709	23			1.10	0.89	2419	1493	24	1.30			1.0	2106	1300	25	1.50																																																																																																																																																																																																																																																																																																																																												
7.0	308	190	6.6	1.35			7.5	288	178	6.8	1.45			8.9	241	149	7.1	1.70	10	212			131	7.3	1.95	GFA49R19 GFAF49R19 GF49R19 GFF49R19	4P	9.2	235	145	3.5	0.85			10	209	129	3.9	1.00	11	191	118	4.2	1.10		14	159		98	4.5	1.30			15	141	87	4.7	1.45	GFA49R19 GFAF49R19 GF49R19 GFF49R19	4P	3.0	752	281.71	18	1.95			3.2	702	262.93	18	2.10	3.8	602	225.79	19	2.50		4.3	529		198.31			19	2.80	4.5	503	188.40	19	2.90	GFA99R59 GFAF99R59 GF99R59 GFF99R59	4P	0.15	14292	8822	84	0.85			0.17	12368	7634	86	1.00	GFA129R79 GFAF129R79 GF129R79 GFF129R79	4P	0.20	10868	6708							86	1.15	0.22	9589	5919	86	1.30	0.26	8339	5147	86			1.50			0.29	7336	4528	86	1.70	0.22	9646	5954	44	0.85	GFA109R79 GFAF109R79 GF109R79 GFF109R79	4P	0.25	8462	5223	47	0.95			0.29	7399	4567	49	1.10	0.38	5704	3521	53			1.40	0.44	4920			3037	54	1.65	0.48	4465	2756	55	1.80	GFA109R79 GFAF109R79 GF109R79 GFF109R79	4P	0.56	3838	2369	56	2.10			0.64	3350	2068	57	2.40			0.83	2587	1597	58	3.15	0.95	2270	1401	59			3.60	0.46	4710	2907	28	0.95	GFA109R79 GFAF109R79 GF109R79 GFF109R79	4P	0.52	4136	2553	29	1.05			0.59	3637	2245			30	1.20	0.68	3192	1970	31	1.40	0.77	2791	1723	32			1.60	0.87	2475	1528	33	1.80	GFA99R59 GFAF99R59 GF99R59 GFF99R59	4P	1.0	2150	1327	34	2.10			1.1			1897	1171	34	2.35	1.3	1656	1022	34	2.70	0.69	3127	1930	17			1.00	GFA89R59 GFAF89R59 GF89R59 GFF89R59	4P	0.78	2769	1709	23	1.10					0.89	2419	1493	24	1.30	1.0	2106	1300	25	1.50																																																																																																																																																																																																																																																																																																																																																					
7.5	288	178	6.8	1.45			8.9	241	149	7.1	1.70			10	212	131	7.3	1.95	GFA49R19 GFAF49R19 GF49R19 GFF49R19	4P	9.2	235	145	3.5	0.85			10	209	129	3.9	1.00			11	191	118	4.2	1.10	14	159	98	4.5	1.30		15	141		87	4.7	1.45	GFA49R19 GFAF49R19 GF49R19 GFF49R19	4P	3.0	752	281.71	18	1.95			3.2	702	262.93	18	2.10			3.8	602	225.79	19	2.50	4.3	529	198.31	19	2.80		4.5	503		188.40	19	2.90	GFA99R59 GFAF99R59 GF99R59 GFF99R59	4P	0.15	14292	8822	84	0.85			0.17	12368	7634	86	1.00			GFA129R79 GFAF129R79 GF129R79 GFF129R79	4P	0.20	10868	6708			86	1.15	0.22				9589	5919		86	1.30	0.26	8339	5147	86	1.50	0.29	7336	4528	86	1.70	0.22	9646			5954	44	0.85	GFA109R79 GFAF109R79 GF109R79 GFF109R79	4P	0.25	8462	5223	47	0.95			0.29	7399	4567	49	1.10			0.38	5704	3521	53	1.40	0.44	4920	3037	54	1.65	0.48	4465	2756	55			1.80	GFA109R79 GFAF109R79 GF109R79 GFF109R79	4P	0.56	3838	2369	56	2.10			0.64	3350	2068	57	2.40			0.83	2587	1597	58	3.15	0.95	2270	1401	59	3.60	0.46	4710	2907	28	0.95	GFA109R79 GFAF109R79 GF109R79 GFF109R79			4P	0.52	4136	2553	29	1.05			0.59	3637	2245	30	1.20			0.68	3192	1970	31	1.40	0.77	2791	1723	32	1.60	0.87	2475	1528	33	1.80	GFA99R59 GFAF99R59 GF99R59 GFF99R59			4P	1.0	2150	1327	34	2.10			1.1	1897	1171	34	2.35			1.3	1656	1022	34	2.70	0.69	3127	1930	17	1.00	GFA89R59 GFAF89R59 GF89R59 GFF89R59	4P	0.78	2769	1709	23			1.10			0.89	2419	1493	24	1.30		1.0	2106		1300	25	1.50																																																																																																																																																																																																																																																																																																																																																												
8.9	241	149	7.1	1.70			10	212	131	7.3	1.95	GFA49R19 GFAF49R19 GF49R19 GFF49R19	4P	9.2	235	145	3.5	0.85			10	209	129	3.9	1.00			11	191	118	4.2	1.10			14	159	98	4.5	1.30	15	141	87	4.7	1.45	GFA49R19 GFAF49R19 GF49R19 GFF49R19	4P	3.0	752	281.71	18	1.95			3.2	702	262.93	18	2.10			3.8	602	225.79	19	2.50			4.3	529	198.31	19	2.80	4.5	503	188.40	19	2.90	GFA99R59 GFAF99R59 GF99R59 GFF99R59	4P	0.15	14292	8822	84	0.85			0.17	12368	7634	86	1.00			GFA129R79 GFAF129R79 GF129R79 GFF129R79	4P	0.20	10868	6708					86	1.15	0.22			9589	5919	86	1.30			0.26	8339	5147	86	1.50	0.29	7336	4528	86	1.70	0.22	9646	5954	44	0.85	GFA109R79 GFAF109R79 GF109R79 GFF109R79	4P	0.25	8462	5223	47	0.95			0.29	7399	4567	49	1.10			0.38	5704	3521	53	1.40			0.44	4920	3037	54	1.65	0.48	4465	2756	55	1.80	GFA109R79 GFAF109R79 GF109R79 GFF109R79	4P	0.56	3838	2369	56	2.10			0.64	3350	2068	57	2.40			0.83	2587	1597	58	3.15			0.95	2270	1401	59	3.60	0.46	4710	2907	28	0.95	GFA109R79 GFAF109R79 GF109R79 GFF109R79	4P	0.52	4136	2553		29	1.05		0.59	3637	2245	30	1.20			0.68	3192	1970	31	1.40			0.77	2791	1723	32	1.60	0.87	2475	1528	33	1.80	GFA99R59 GFAF99R59 GF99R59 GFF99R59	4P	1.0	2150	1327		34	2.10		1.1	1897	1171	34	2.35			1.3	1656	1022	34	2.70			0.69	3127	1930	17	1.00	GFA89R59 GFAF89R59 GF89R59 GFF89R59	4P	0.78	2769	1709			23	1.10	0.89	2419	1493	24	1.30			1.0	2106	1300	25	1.50																																																																																																																																																																																																																																																																																																																																																																			
10	212	131	7.3	1.95	GFA49R19 GFAF49R19 GF49R19 GFF49R19	4P																																																																																																																																																																																																																																																																																																																																																																																																																																																																																																																																																																																																																																																	
9.2	235	145	3.5	0.85			10	209	129	3.9	1.00			11	191	118	4.2	1.10			14	159	98	4.5	1.30			15	141	87	4.7	1.45	GFA49R19 GFAF49R19 GF49R19 GFF49R19	4P	3.0	752	281.71	18	1.95	3.2	702	262.93	18	2.10			3.8	602	225.79	19	2.50			4.3	529	198.31	19	2.80			4.5	503	188.40	19	2.90	GFA99R59 GFAF99R59 GF99R59 GFF99R59	4P	0.15	14292	8822	84	0.85	0.17	12368	7634	86	1.00			GFA129R79 GFAF129R79 GF129R79 GFF129R79	4P	0.20	10868	6708			86	1.15	0.22	9589	5919					86	1.30	0.26	8339	5147			86	1.50	0.29			7336	4528	86	1.70	0.22	9646	5954	44	0.85	GFA109R79 GFAF109R79 GF109R79 GFF109R79	4P	0.25	8462	5223	47	0.95	0.29	7399	4567	49	1.10			0.38	5704	3521	53	1.40			0.44	4920	3037	54	1.65			0.48	4465	2756	55	1.80	GFA109R79 GFAF109R79 GF109R79 GFF109R79	4P	0.56	3838	2369	56	2.10	0.64	3350	2068	57	2.40			0.83	2587	1597	58	3.15			0.95	2270	1401	59	3.60			0.46	4710	2907	28	0.95	GFA109R79 GFAF109R79 GF109R79 GFF109R79	4P	0.52	4136	2553	29	1.05	0.59	3637	2245	30	1.20			0.68	3192	1970		31	1.40		0.77	2791	1723	32	1.60			0.87	2475	1528	33	1.80	GFA99R59 GFAF99R59 GF99R59 GFF99R59	4P	1.0	2150	1327	34	2.10	1.1	1897	1171	34	2.35			1.3	1656	1022		34	2.70		0.69	3127	1930	17	1.00			GFA89R59 GFAF89R59 GF89R59 GFF89R59	4P	0.78	2769	1709	23	1.10	0.89	2419	1493	24	1.30			1.0	2106	1300			25	1.50																																																																																																																																																																																																																																																																																																																																																																															
10	209	129	3.9	1.00			11	191	118	4.2	1.10			14	159	98	4.5	1.30			15	141	87	4.7	1.45	GFA49R19 GFAF49R19 GF49R19 GFF49R19	4P	3.0	752	281.71	18	1.95			3.2	702	262.93	18	2.10	3.8	602	225.79	19	2.50			4.3	529	198.31	19	2.80			4.5	503	188.40	19	2.90	GFA99R59 GFAF99R59 GF99R59 GFF99R59	4P	0.15	14292	8822	84	0.85			0.17	12368	7634	86	1.00	GFA129R79 GFAF129R79 GF129R79 GFF129R79	4P	0.20	10868	6708					86	1.15	0.22			9589	5919	86	1.30	0.26	8339	5147			86	1.50	0.29	7336	4528			86	1.70	0.22	9646	5954	44	0.85	GFA109R79 GFAF109R79 GF109R79 GFF109R79	4P	0.25	8462	5223	47	0.95			0.29	7399	4567	49	1.10	0.38	5704	3521	53	1.40			0.44	4920	3037	54	1.65			0.48	4465	2756	55	1.80	GFA109R79 GFAF109R79 GF109R79 GFF109R79	4P	0.56	3838	2369	56	2.10			0.64	3350	2068	57	2.40	0.83	2587	1597	58	3.15			0.95	2270	1401	59	3.60			0.46	4710	2907	28	0.95	GFA109R79 GFAF109R79 GF109R79 GFF109R79	4P	0.52	4136	2553	29	1.05			0.59	3637	2245	30	1.20	0.68	3192	1970	31	1.40			0.77	2791	1723		32	1.60		0.87	2475	1528	33	1.80	GFA99R59 GFAF99R59 GF99R59 GFF99R59	4P	1.0	2150	1327	34	2.10			1.1	1897	1171	34	2.35	1.3	1656	1022	34	2.70			0.69	3127	1930		17	1.00		GFA89R59 GFAF89R59 GF89R59 GFF89R59	4P	0.78	2769	1709	23	1.10			0.89	2419	1493	24	1.30	1.0	2106	1300	25	1.50																																																																																																																																																																																																																																																																																																																																																																																								
11	191	118	4.2	1.10			14	159	98	4.5	1.30			15	141	87	4.7	1.45	GFA49R19 GFAF49R19 GF49R19 GFF49R19	4P	3.0	752	281.71	18	1.95			3.2	702	262.93	18	2.10			3.8	602	225.79	19	2.50	4.3	529	198.31	19	2.80			4.5	503	188.40	19	2.90	GFA99R59 GFAF99R59 GF99R59 GFF99R59	4P	0.15	14292	8822	84	0.85			0.17	12368	7634	86	1.00			GFA129R79 GFAF129R79 GF129R79 GFF129R79	4P	0.20	10868	6708			86	1.15	0.22					9589	5919	86	1.30	0.26	8339	5147	86	1.50	0.29	7336	4528			86	1.70	0.22	9646	5954	44	0.85	GFA109R79 GFAF109R79 GF109R79 GFF109R79	4P	0.25	8462	5223	47	0.95			0.29	7399	4567	49	1.10			0.38	5704	3521	53	1.40	0.44	4920	3037	54	1.65			0.48	4465	2756	55	1.80	GFA109R79 GFAF109R79 GF109R79 GFF109R79	4P	0.56	3838	2369	56	2.10			0.64	3350	2068	57	2.40			0.83	2587	1597	58	3.15	0.95	2270	1401	59	3.60			0.46	4710	2907	28	0.95	GFA109R79 GFAF109R79 GF109R79 GFF109R79	4P	0.52	4136	2553	29	1.05			0.59	3637	2245	30	1.20			0.68	3192	1970	31	1.40	0.77	2791	1723	32	1.60			0.87	2475	1528	33	1.80	GFA99R59 GFAF99R59 GF99R59 GFF99R59	4P	1.0	2150	1327	34	2.10			1.1	1897	1171	34	2.35			1.3	1656	1022	34	2.70	0.69	3127	1930	17	1.00			GFA89R59 GFAF89R59 GF89R59 GFF89R59	4P	0.78	2769	1709	23	1.10			0.89	2419	1493	24	1.30			1.0	2106	1300	25	1.50																																																																																																																																																																																																																																																																																																																																																																																													
14	159	98	4.5	1.30			15	141	87	4.7	1.45	GFA49R19 GFAF49R19 GF49R19 GFF49R19	4P	3.0	752	281.71	18	1.95			3.2	702	262.93	18	2.10			3.8	602	225.79	19	2.50			4.3	529	198.31	19	2.80	4.5	503	188.40	19	2.90	GFA99R59 GFAF99R59 GF99R59 GFF99R59	4P	0.15	14292	8822	84	0.85			0.17	12368	7634	86	1.00			GFA129R79 GFAF129R79 GF129R79 GFF129R79	4P	0.20	10868	6708					86	1.15	0.22			9589	5919	86	1.30	0.26			8339	5147	86	1.50	0.29	7336	4528	86	1.70	0.22	9646	5954	44	0.85	GFA109R79 GFAF109R79 GF109R79 GFF109R79	4P	0.25	8462	5223	47	0.95			0.29	7399	4567	49	1.10			0.38	5704	3521	53	1.40			0.44	4920	3037	54	1.65	0.48	4465	2756	55	1.80	GFA109R79 GFAF109R79 GF109R79 GFF109R79	4P	0.56	3838	2369	56	2.10			0.64	3350	2068	57	2.40			0.83	2587	1597	58	3.15			0.95	2270	1401	59	3.60	0.46	4710	2907	28	0.95	GFA109R79 GFAF109R79 GF109R79 GFF109R79	4P	0.52	4136	2553	29	1.05			0.59	3637	2245	30	1.20			0.68	3192	1970	31	1.40			0.77	2791	1723	32	1.60	0.87	2475	1528	33	1.80	GFA99R59 GFAF99R59 GF99R59 GFF99R59	4P	1.0	2150	1327	34	2.10			1.1	1897	1171	34	2.35			1.3	1656	1022	34	2.70			0.69	3127	1930	17	1.00	GFA89R59 GFAF89R59 GF89R59 GFF89R59	4P	0.78	2769	1709	23	1.10			0.89	2419	1493	24	1.30			1.0	2106	1300	25	1.50																																																																																																																																																																																																																																																																																																																																																																																																				
15	141	87	4.7	1.45	GFA49R19 GFAF49R19 GF49R19 GFF49R19	4P																																																																																																																																																																																																																																																																																																																																																																																																																																																																																																																																																																																																																																																	
3.0	752	281.71	18	1.95			3.2	702	262.93	18	2.10			3.8	602	225.79	19	2.50			4.3	529	198.31	19	2.80			4.5	503	188.40	19	2.90	GFA99R59 GFAF99R59 GF99R59 GFF99R59	4P	0.15	14292	8822	84	0.85	0.17	12368	7634	86	1.00			GFA129R79 GFAF129R79 GF129R79 GFF129R79	4P	0.20	10868	6708			86	1.15	0.22	9589	5919					86	1.30	0.26	8339	5147			86	1.50	0.29			7336	4528	86	1.70	0.22	9646	5954	44	0.85	GFA109R79 GFAF109R79 GF109R79 GFF109R79	4P	0.25	8462	5223	47	0.95	0.29	7399	4567	49	1.10			0.38	5704	3521	53	1.40			0.44	4920	3037	54	1.65			0.48	4465	2756	55	1.80	GFA109R79 GFAF109R79 GF109R79 GFF109R79	4P	0.56	3838	2369	56	2.10	0.64	3350	2068	57	2.40			0.83	2587	1597	58	3.15			0.95	2270	1401	59	3.60			0.46	4710	2907	28	0.95	GFA109R79 GFAF109R79 GF109R79 GFF109R79	4P	0.52	4136	2553	29	1.05	0.59	3637	2245	30	1.20			0.68	3192	1970	31	1.40			0.77	2791	1723	32	1.60			0.87	2475	1528	33	1.80	GFA99R59 GFAF99R59 GF99R59 GFF99R59	4P	1.0	2150	1327	34	2.10	1.1	1897	1171	34	2.35			1.3	1656	1022	34	2.70			0.69	3127	1930	17	1.00			GFA89R59 GFAF89R59 GF89R59 GFF89R59	4P	0.78	2769	1709	23	1.10	0.89	2419	1493	24	1.30			1.0	2106	1300	25	1.50																																																																																																																																																																																																																																																																																																																																																																																																																		
3.2	702	262.93	18	2.10			3.8	602	225.79	19	2.50			4.3	529	198.31	19	2.80			4.5	503	188.40	19	2.90	GFA99R59 GFAF99R59 GF99R59 GFF99R59	4P	0.15	14292	8822	84	0.85			0.17	12368	7634	86	1.00	GFA129R79 GFAF129R79 GF129R79 GFF129R79	4P	0.20	10868	6708					86	1.15	0.22			9589	5919	86	1.30	0.26	8339	5147			86	1.50	0.29	7336	4528			86	1.70	0.22	9646	5954	44	0.85	GFA109R79 GFAF109R79 GF109R79 GFF109R79	4P	0.25	8462	5223	47	0.95			0.29	7399	4567	49	1.10	0.38	5704	3521	53	1.40			0.44	4920	3037	54	1.65			0.48	4465	2756	55	1.80	GFA109R79 GFAF109R79 GF109R79 GFF109R79	4P	0.56	3838	2369	56	2.10			0.64	3350	2068	57	2.40	0.83	2587	1597	58	3.15			0.95	2270	1401	59	3.60			0.46	4710	2907	28	0.95	GFA109R79 GFAF109R79 GF109R79 GFF109R79	4P	0.52	4136	2553	29	1.05			0.59	3637	2245	30	1.20	0.68	3192	1970	31	1.40			0.77	2791	1723	32	1.60			0.87	2475	1528	33	1.80	GFA99R59 GFAF99R59 GF99R59 GFF99R59	4P	1.0	2150	1327	34	2.10			1.1	1897	1171	34	2.35	1.3	1656	1022	34	2.70			0.69	3127	1930	17	1.00			GFA89R59 GFAF89R59 GF89R59 GFF89R59	4P	0.78	2769	1709	23	1.10			0.89	2419	1493	24	1.30	1.0	2106	1300	25	1.50																																																																																																																																																																																																																																																																																																																																																																																																																									
3.8	602	225.79	19	2.50			4.3	529	198.31	19	2.80			4.5	503	188.40	19	2.90	GFA99R59 GFAF99R59 GF99R59 GFF99R59	4P	0.15	14292	8822	84	0.85			0.17	12368	7634	86	1.00			GFA129R79 GFAF129R79 GF129R79 GFF129R79	4P	0.20	10868	6708			86	1.15	0.22					9589	5919	86	1.30	0.26	8339	5147	86	1.50	0.29	7336	4528			86	1.70	0.22	9646	5954	44	0.85	GFA109R79 GFAF109R79 GF109R79 GFF109R79	4P	0.25	8462	5223	47	0.95			0.29	7399	4567	49	1.10			0.38	5704	3521	53	1.40	0.44	4920	3037	54	1.65			0.48	4465	2756	55	1.80	GFA109R79 GFAF109R79 GF109R79 GFF109R79	4P	0.56	3838	2369	56	2.10			0.64	3350	2068	57	2.40			0.83	2587	1597	58	3.15	0.95	2270	1401	59	3.60			0.46	4710	2907	28	0.95	GFA109R79 GFAF109R79 GF109R79 GFF109R79	4P	0.52	4136	2553	29	1.05			0.59	3637	2245	30	1.20			0.68	3192	1970	31	1.40	0.77	2791	1723	32	1.60			0.87	2475	1528	33	1.80	GFA99R59 GFAF99R59 GF99R59 GFF99R59	4P	1.0	2150	1327	34	2.10			1.1	1897	1171	34	2.35			1.3	1656	1022	34	2.70	0.69	3127	1930	17	1.00			GFA89R59 GFAF89R59 GF89R59 GFF89R59	4P	0.78	2769	1709	23	1.10			0.89	2419	1493	24	1.30			1.0	2106	1300	25	1.50																																																																																																																																																																																																																																																																																																																																																																																																																														
4.3	529	198.31	19	2.80			4.5	503	188.40	19	2.90	GFA99R59 GFAF99R59 GF99R59 GFF99R59	4P	0.15	14292	8822	84	0.85			0.17	12368	7634	86	1.00			GFA129R79 GFAF129R79 GF129R79 GFF129R79	4P	0.20	10868	6708					86	1.15	0.22			9589	5919	86	1.30	0.26			8339	5147	86	1.50	0.29	7336	4528	86	1.70	0.22	9646	5954	44	0.85	GFA109R79 GFAF109R79 GF109R79 GFF109R79	4P	0.25	8462	5223	47	0.95			0.29	7399	4567	49	1.10			0.38	5704	3521	53	1.40			0.44	4920	3037	54	1.65	0.48	4465	2756	55	1.80	GFA109R79 GFAF109R79 GF109R79 GFF109R79	4P	0.56	3838	2369	56	2.10			0.64	3350	2068	57	2.40			0.83	2587	1597	58	3.15			0.95	2270	1401	59	3.60	0.46	4710	2907	28	0.95	GFA109R79 GFAF109R79 GF109R79 GFF109R79	4P	0.52	4136	2553	29	1.05			0.59	3637	2245	30	1.20			0.68	3192	1970	31	1.40			0.77	2791	1723	32	1.60	0.87	2475	1528	33	1.80	GFA99R59 GFAF99R59 GF99R59 GFF99R59	4P	1.0	2150	1327	34	2.10			1.1	1897	1171	34	2.35			1.3	1656	1022	34	2.70			0.69	3127	1930	17	1.00	GFA89R59 GFAF89R59 GF89R59 GFF89R59	4P	0.78	2769	1709	23	1.10			0.89	2419	1493	24	1.30			1.0	2106	1300	25	1.50																																																																																																																																																																																																																																																																																																																																																																																																																																					
4.5	503	188.40	19	2.90	GFA99R59 GFAF99R59 GF99R59 GFF99R59	4P																																																																																																																																																																																																																																																																																																																																																																																																																																																																																																																																																																																																																																																	
0.15	14292	8822	84	0.85			0.17	12368	7634	86	1.00			GFA129R79 GFAF129R79 GF129R79 GFF129R79	4P	0.20	10868	6708			86	1.15	0.22	9589	5919					86	1.30	0.26	8339	5147			86	1.50	0.29			7336	4528	86	1.70	0.22	9646	5954	44	0.85	GFA109R79 GFAF109R79 GF109R79 GFF109R79	4P	0.25	8462	5223	47	0.95	0.29	7399	4567	49	1.10			0.38	5704	3521	53	1.40			0.44	4920	3037	54	1.65			0.48	4465	2756	55	1.80	GFA109R79 GFAF109R79 GF109R79 GFF109R79	4P	0.56	3838	2369	56	2.10	0.64	3350	2068	57	2.40			0.83	2587	1597	58	3.15			0.95	2270	1401	59	3.60			0.46	4710	2907	28	0.95	GFA109R79 GFAF109R79 GF109R79 GFF109R79	4P	0.52	4136	2553	29	1.05	0.59	3637	2245	30	1.20			0.68	3192	1970	31	1.40			0.77	2791	1723	32	1.60			0.87	2475	1528	33	1.80	GFA99R59 GFAF99R59 GF99R59 GFF99R59	4P	1.0	2150	1327	34	2.10	1.1	1897	1171	34	2.35			1.3	1656	1022	34	2.70			0.69	3127	1930	17	1.00			GFA89R59 GFAF89R59 GF89R59 GFF89R59	4P	0.78	2769	1709	23	1.10	0.89	2419	1493	24	1.30			1.0	2106	1300	25	1.50																																																																																																																																																																																																																																																																																																																																																																																																																																																			
0.17	12368	7634	86	1.00			GFA129R79 GFAF129R79 GF129R79 GFF129R79	4P																																																																																																																																																																																																																																																																																																																																																																																																																																																																																																																																																																																																																																															
0.20	10868	6708	86	1.15					0.22	9589	5919					86	1.30	0.26	8339	5147	86	1.50	0.29	7336	4528	86	1.70			0.22	9646	5954	44	0.85	GFA109R79 GFAF109R79 GF109R79 GFF109R79	4P	0.25	8462	5223	47	0.95	0.29	7399	4567	49	1.10	0.38	5704	3521	53			1.40	0.44	4920	3037	54	1.65	0.48	4465	2756	55			1.80	GFA109R79 GFAF109R79 GF109R79 GFF109R79	4P	0.56	3838	2369	56	2.10	0.64	3350	2068	57	2.40	0.83	2587	1597	58	3.15	0.95			2270	1401	59	3.60	0.46	4710	2907	28	0.95	GFA109R79 GFAF109R79 GF109R79 GFF109R79			4P	0.52	4136	2553	29	1.05	0.59	3637	2245	30	1.20	0.68	3192	1970	31	1.40	0.77	2791	1723			32	1.60	0.87	2475	1528	33	1.80	GFA99R59 GFAF99R59 GF99R59 GFF99R59	4P	1.0			2150	1327	34	2.10	1.1	1897	1171	34	2.35	1.3	1656	1022	34	2.70	0.69	3127	1930	17	1.00			GFA89R59 GFAF89R59 GF89R59 GFF89R59	4P	0.78	2769	1709	23	1.10	0.89	2419	1493			24	1.30	1.0	2106	1300	25	1.50																																																																																																																																																																																																																																																																																																																																																																																																																																																																													
0.22	9589	5919	86	1.30					0.26	8339	5147	86	1.50			0.29	7336	4528	86	1.70	0.22	9646	5954	44	0.85	GFA109R79 GFAF109R79 GF109R79 GFF109R79	4P	0.25	8462	5223	47	0.95	0.29	7399			4567	49	1.10	0.38	5704	3521	53	1.40	0.44	4920	3037	54	1.65	0.48			4465	2756	55	1.80	GFA109R79 GFAF109R79 GF109R79 GFF109R79	4P	0.56	3838	2369	56	2.10	0.64	3350			2068	57	2.40	0.83	2587	1597	58	3.15	0.95	2270	1401	59	3.60	0.46	4710	2907			28	0.95	GFA109R79 GFAF109R79 GF109R79 GFF109R79	4P	0.52	4136	2553	29	1.05		0.59	3637		2245	30	1.20	0.68	3192	1970	31	1.40	0.77	2791	1723	32	1.60	0.87	2475	1528	33	1.80			GFA99R59 GFAF99R59 GF99R59 GFF99R59	4P	1.0	2150	1327	34	2.10			1.1	1897	1171	34	2.35	1.3	1656	1022	34	2.70	0.69	3127	1930	17	1.00	GFA89R59 GFAF89R59 GF89R59 GFF89R59	4P	0.78	2769	1709	23	1.10					0.89	2419	1493	24	1.30	1.0	2106	1300	25	1.50																																																																																																																																																																																																																																																																																																																																																																																																																																																																																				
0.26	8339	5147	86	1.50	0.29	7336			4528	86	1.70	0.22	9646			5954	44	0.85	GFA109R79 GFAF109R79 GF109R79 GFF109R79	4P	0.25	8462	5223	47	0.95			0.29	7399	4567	49	1.10	0.38	5704			3521	53	1.40	0.44	4920	3037	54	1.65	0.48	4465	2756	55	1.80	GFA109R79 GFAF109R79 GF109R79 GFF109R79			4P	0.56	3838	2369			56	2.10	0.64	3350	2068	57	2.40			0.83	2587	1597	58	3.15	0.95	2270	1401	59	3.60	0.46	4710	2907	28	0.95	GFA109R79 GFAF109R79 GF109R79 GFF109R79			4P	0.52			4136	2553	29	1.05	0.59		3637	2245		30	1.20	0.68	3192	1970	31	1.40	0.77	2791	1723	32	1.60	0.87	2475	1528	33	1.80	GFA99R59 GFAF99R59 GF99R59 GFF99R59					4P	1.0	2150	1327	34			2.10	1.1	1897	1171	34	2.35	1.3	1656	1022	34	2.70	0.69	3127	1930	17			1.00	GFA89R59 GFAF89R59 GF89R59 GFF89R59	4P	0.78	2769					1709	23	1.10	0.89	2419	1493	24	1.30	1.0	2106	1300	25	1.50																																																																																																																																																																																																																																																																																																																																																																																																																																																																																	
0.29	7336	4528	86	1.70	0.22	9646			5954	44	0.85	GFA109R79 GFAF109R79 GF109R79 GFF109R79	4P	0.25	8462	5223	47	0.95			0.29	7399	4567	49	1.10			0.38	5704	3521	53	1.40	0.44	4920			3037	54	1.65	0.48	4465	2756	55	1.80	GFA109R79 GFAF109R79 GF109R79 GFF109R79	4P	0.56	3838	2369		56	2.10		0.64	3350	2068			57	2.40	0.83	2587	1597	58	3.15			0.95	2270	1401	59	3.60	0.46	4710	2907	28	0.95	GFA109R79 GFAF109R79 GF109R79 GFF109R79	4P	0.52	4136	2553		29	1.05		0.59			3637	2245	30	1.20	0.68		3192	1970		31	1.40	0.77	2791	1723	32	1.60	0.87	2475	1528	33	1.80	GFA99R59 GFAF99R59 GF99R59 GFF99R59	4P	1.0	2150	1327		34	2.10				1.1	1897	1171	34			2.35	1.3	1656	1022	34	2.70	0.69	3127	1930	17	1.00	GFA89R59 GFAF89R59 GF89R59 GFF89R59	4P	0.78	2769			1709			23	1.10	0.89	2419			1493	24	1.30	1.0	2106	1300	25	1.50																																																																																																																																																																																																																																																																																																																																																																																																																																																																																						
0.22	9646	5954	44	0.85	GFA109R79 GFAF109R79 GF109R79 GFF109R79	4P																																																																																																																																																																																																																																																																																																																																																																																																																																																																																																																																																																																																																																																	
0.25	8462	5223	47	0.95			0.29	7399	4567	49	1.10			0.38	5704	3521	53	1.40			0.44	4920	3037	54	1.65			0.48	4465	2756	55	1.80	GFA109R79 GFAF109R79 GF109R79 GFF109R79	4P	0.56	3838	2369	56	2.10	0.64	3350	2068	57	2.40			0.83	2587	1597		58	3.15		0.95	2270	1401			59	3.60	0.46	4710	2907	28	0.95	GFA109R79 GFAF109R79 GF109R79 GFF109R79	4P	0.52	4136	2553	29	1.05	0.59	3637	2245	30	1.20			0.68	3192	1970		31	1.40		0.77			2791	1723	32	1.60	0.87	2475	1528	33	1.80	GFA99R59 GFAF99R59 GF99R59 GFF99R59	4P	1.0	2150	1327	34	2.10	1.1	1897	1171	34	2.35			1.3	1656	1022		34	2.70				0.69	3127	1930	17	1.00	GFA89R59 GFAF89R59 GF89R59 GFF89R59	4P	0.78	2769	1709	23	1.10	0.89	2419	1493	24	1.30			1.0	2106			1300			25	1.50																																																																																																																																																																																																																																																																																																																																																																																																																																																																																																		
0.29	7399	4567	49	1.10			0.38	5704	3521	53	1.40			0.44	4920	3037	54	1.65			0.48	4465	2756	55	1.80	GFA109R79 GFAF109R79 GF109R79 GFF109R79	4P	0.56	3838	2369	56	2.10			0.64	3350	2068	57	2.40	0.83	2587	1597	58	3.15			0.95	2270	1401		59	3.60		0.46	4710	2907	28	0.95	GFA109R79 GFAF109R79 GF109R79 GFF109R79	4P	0.52	4136	2553	29	1.05			0.59	3637	2245	30	1.20	0.68	3192	1970	31	1.40			0.77	2791	1723		32	1.60		0.87	2475	1528	33	1.80	GFA99R59 GFAF99R59 GF99R59 GFF99R59	4P	1.0	2150	1327	34	2.10			1.1	1897	1171	34	2.35	1.3	1656	1022	34	2.70			0.69	3127	1930		17	1.00	GFA89R59 GFAF89R59 GF89R59 GFF89R59	4P		0.78	2769	1709	23	1.10			0.89	2419	1493	24	1.30	1.0	2106	1300	25	1.50																																																																																																																																																																																																																																																																																																																																																																																																																																																																																																													
0.38	5704	3521	53	1.40			0.44	4920	3037	54	1.65			0.48	4465	2756	55	1.80	GFA109R79 GFAF109R79 GF109R79 GFF109R79	4P	0.56	3838	2369	56	2.10			0.64	3350	2068	57	2.40			0.83	2587	1597	58	3.15	0.95	2270	1401	59	3.60			0.46	4710	2907	28	0.95	GFA109R79 GFAF109R79 GF109R79 GFF109R79	4P	0.52	4136	2553	29	1.05			0.59	3637	2245	30	1.20			0.68	3192	1970	31	1.40	0.77	2791	1723	32	1.60			0.87	2475	1528	33	1.80	GFA99R59 GFAF99R59 GF99R59 GFF99R59	4P	1.0	2150	1327	34	2.10			1.1	1897	1171	34	2.35			1.3	1656	1022	34	2.70	0.69	3127	1930	17	1.00			GFA89R59 GFAF89R59 GF89R59 GFF89R59	4P	0.78	2769	1709	23			1.10	0.89	2419	1493	24	1.30			1.0	2106	1300	25	1.50																																																																																																																																																																																																																																																																																																																																																																																																																																																																																																																		
0.44	4920	3037	54	1.65			0.48	4465	2756	55	1.80	GFA109R79 GFAF109R79 GF109R79 GFF109R79	4P	0.56	3838	2369	56	2.10			0.64	3350	2068	57	2.40			0.83	2587	1597	58	3.15			0.95	2270	1401	59	3.60	0.46	4710	2907	28	0.95	GFA109R79 GFAF109R79 GF109R79 GFF109R79	4P	0.52	4136	2553	29	1.05			0.59	3637	2245	30	1.20			0.68	3192	1970	31	1.40			0.77	2791	1723	32	1.60	0.87	2475	1528	33	1.80	GFA99R59 GFAF99R59 GF99R59 GFF99R59	4P	1.0	2150	1327	34	2.10			1.1	1897	1171	34	2.35			1.3	1656	1022	34	2.70			0.69	3127	1930	17	1.00	GFA89R59 GFAF89R59 GF89R59 GFF89R59	4P	0.78	2769	1709	23	1.10			0.89	2419	1493	24			1.30	1.0	2106	1300	25	1.50																																																																																																																																																																																																																																																																																																																																																																																																																																																																																																																									
0.48	4465	2756	55	1.80	GFA109R79 GFAF109R79 GF109R79 GFF109R79	4P																																																																																																																																																																																																																																																																																																																																																																																																																																																																																																																																																																																																																																																	
0.56	3838	2369	56	2.10			0.64	3350	2068	57	2.40			0.83	2587	1597	58	3.15			0.95	2270	1401	59	3.60			0.46	4710	2907	28	0.95	GFA109R79 GFAF109R79 GF109R79 GFF109R79	4P	0.52	4136	2553	29	1.05	0.59	3637	2245	30	1.20			0.68	3192	1970	31	1.40			0.77	2791	1723	32	1.60			0.87	2475	1528	33	1.80	GFA99R59 GFAF99R59 GF99R59 GFF99R59	4P	1.0	2150	1327	34	2.10	1.1	1897	1171	34	2.35			1.3	1656	1022	34	2.70			0.69	3127	1930	17	1.00			GFA89R59 GFAF89R59 GF89R59 GFF89R59	4P	0.78	2769	1709	23	1.10	0.89	2419	1493	24	1.30			1.0	2106	1300	25	1.50																																																																																																																																																																																																																																																																																																																																																																																																																																																																																																																																							
0.64	3350	2068	57	2.40			0.83	2587	1597	58	3.15			0.95	2270	1401	59	3.60			0.46	4710	2907	28	0.95	GFA109R79 GFAF109R79 GF109R79 GFF109R79	4P	0.52	4136	2553	29	1.05			0.59	3637	2245	30	1.20	0.68	3192	1970	31	1.40			0.77	2791	1723	32	1.60			0.87	2475	1528	33	1.80	GFA99R59 GFAF99R59 GF99R59 GFF99R59	4P	1.0	2150	1327	34	2.10			1.1	1897	1171	34	2.35	1.3	1656	1022	34	2.70			0.69	3127	1930	17	1.00			GFA89R59 GFAF89R59 GF89R59 GFF89R59	4P	0.78	2769	1709	23	1.10			0.89	2419	1493	24	1.30	1.0	2106	1300	25	1.50																																																																																																																																																																																																																																																																																																																																																																																																																																																																																																																																														
0.83	2587	1597	58	3.15			0.95	2270	1401	59	3.60			0.46	4710	2907	28	0.95	GFA109R79 GFAF109R79 GF109R79 GFF109R79	4P	0.52	4136	2553	29	1.05			0.59	3637	2245	30	1.20			0.68	3192	1970	31	1.40	0.77	2791	1723	32	1.60			0.87	2475	1528	33	1.80	GFA99R59 GFAF99R59 GF99R59 GFF99R59	4P	1.0	2150	1327	34	2.10			1.1	1897	1171	34	2.35			1.3	1656	1022	34	2.70	0.69	3127	1930	17	1.00			GFA89R59 GFAF89R59 GF89R59 GFF89R59	4P	0.78	2769	1709	23	1.10			0.89	2419	1493	24	1.30			1.0	2106	1300	25	1.50																																																																																																																																																																																																																																																																																																																																																																																																																																																																																																																																																			
0.95	2270	1401	59	3.60			0.46	4710	2907	28	0.95	GFA109R79 GFAF109R79 GF109R79 GFF109R79	4P	0.52	4136	2553	29	1.05			0.59	3637	2245	30	1.20			0.68	3192	1970	31	1.40			0.77	2791	1723	32	1.60	0.87	2475	1528	33	1.80	GFA99R59 GFAF99R59 GF99R59 GFF99R59	4P	1.0	2150	1327	34	2.10			1.1	1897	1171	34	2.35			1.3	1656	1022	34	2.70			0.69	3127	1930	17	1.00	GFA89R59 GFAF89R59 GF89R59 GFF89R59	4P	0.78	2769	1709	23	1.10			0.89	2419	1493	24	1.30			1.0	2106	1300	25	1.50																																																																																																																																																																																																																																																																																																																																																																																																																																																																																																																																																										
0.46	4710	2907	28	0.95	GFA109R79 GFAF109R79 GF109R79 GFF109R79	4P																																																																																																																																																																																																																																																																																																																																																																																																																																																																																																																																																																																																																																																	
0.52	4136	2553	29	1.05			0.59	3637	2245	30	1.20			0.68	3192	1970	31	1.40			0.77	2791	1723	32	1.60			0.87	2475	1528	33	1.80	GFA99R59 GFAF99R59 GF99R59 GFF99R59	4P	1.0	2150	1327	34	2.10	1.1	1897	1171	34	2.35			1.3	1656	1022	34	2.70			0.69	3127	1930	17	1.00			GFA89R59 GFAF89R59 GF89R59 GFF89R59	4P	0.78	2769	1709	23	1.10	0.89	2419	1493	24	1.30			1.0	2106	1300	25	1.50																																																																																																																																																																																																																																																																																																																																																																																																																																																																																																																																																																								
0.59	3637	2245	30	1.20			0.68	3192	1970	31	1.40			0.77	2791	1723	32	1.60			0.87	2475	1528	33	1.80	GFA99R59 GFAF99R59 GF99R59 GFF99R59	4P	1.0	2150	1327	34	2.10			1.1	1897	1171	34	2.35	1.3	1656	1022	34	2.70			0.69	3127	1930	17	1.00			GFA89R59 GFAF89R59 GF89R59 GFF89R59	4P	0.78	2769	1709	23	1.10			0.89	2419	1493	24	1.30	1.0	2106	1300	25	1.50																																																																																																																																																																																																																																																																																																																																																																																																																																																																																																																																																																															
0.68	3192	1970	31	1.40			0.77	2791	1723	32	1.60			0.87	2475	1528	33	1.80	GFA99R59 GFAF99R59 GF99R59 GFF99R59	4P	1.0	2150	1327	34	2.10			1.1	1897	1171	34	2.35			1.3	1656	1022	34	2.70	0.69	3127	1930	17	1.00			GFA89R59 GFAF89R59 GF89R59 GFF89R59	4P	0.78	2769	1709	23	1.10			0.89	2419	1493	24	1.30			1.0	2106	1300	25	1.50																																																																																																																																																																																																																																																																																																																																																																																																																																																																																																																																																																																				
0.77	2791	1723	32	1.60			0.87	2475	1528	33	1.80	GFA99R59 GFAF99R59 GF99R59 GFF99R59	4P	1.0	2150	1327	34	2.10			1.1	1897	1171	34	2.35			1.3	1656	1022	34	2.70			0.69	3127	1930	17	1.00	GFA89R59 GFAF89R59 GF89R59 GFF89R59	4P	0.78	2769	1709	23	1.10			0.89	2419	1493	24	1.30			1.0	2106	1300	25	1.50																																																																																																																																																																																																																																																																																																																																																																																																																																																																																																																																																																																											
0.87	2475	1528	33	1.80	GFA99R59 GFAF99R59 GF99R59 GFF99R59	4P																																																																																																																																																																																																																																																																																																																																																																																																																																																																																																																																																																																																																																																	
1.0	2150	1327	34	2.10			1.1	1897	1171	34	2.35			1.3	1656	1022	34	2.70			0.69	3127	1930	17	1.00			GFA89R59 GFAF89R59 GF89R59 GFF89R59	4P	0.78	2769	1709	23	1.10	0.89	2419	1493	24	1.30			1.0	2106	1300	25	1.50																																																																																																																																																																																																																																																																																																																																																																																																																																																																																																																																																																																																									
1.1	1897	1171	34	2.35			1.3	1656	1022	34	2.70			0.69	3127	1930	17	1.00			GFA89R59 GFAF89R59 GF89R59 GFF89R59	4P	0.78	2769	1709	23	1.10			0.89	2419	1493	24	1.30	1.0	2106	1300	25	1.50																																																																																																																																																																																																																																																																																																																																																																																																																																																																																																																																																																																																																
1.3	1656	1022	34	2.70			0.69	3127	1930	17	1.00			GFA89R59 GFAF89R59 GF89R59 GFF89R59	4P	0.78	2769	1709	23	1.10			0.89	2419	1493	24	1.30			1.0	2106	1300	25	1.50																																																																																																																																																																																																																																																																																																																																																																																																																																																																																																																																																																																																																					
0.69	3127	1930	17	1.00			GFA89R59 GFAF89R59 GF89R59 GFF89R59	4P																																																																																																																																																																																																																																																																																																																																																																																																																																																																																																																																																																																																																																															
0.78	2769	1709	23	1.10	0.89	2419			1493	24	1.30	1.0	2106			1300	25	1.50																																																																																																																																																																																																																																																																																																																																																																																																																																																																																																																																																																																																																																					
0.89	2419	1493	24	1.30	1.0	2106			1300	25	1.50																																																																																																																																																																																																																																																																																																																																																																																																																																																																																																																																																																																																																																												
1.0	2106	1300	25	1.50																																																																																																																																																																																																																																																																																																																																																																																																																																																																																																																																																																																																																																																			

选型参数表
(恒功率) 0.25kW-0.37kW
Selection Table
(Constant Power) 0.25kW-0.37kW

n_a [r/min]	M_a [Nm]	i	F_{Ra} [kN]	f_B	机型号 Type size	极数 Pole	n_a [r/min]	M_a [Nm]	i	F_{Ra} [kN]	f_B	机型号 Type size	极数 Pole																																																																																																																																																																																																																																																																																																																																																																																																																																																																																																																																																																																																																																													
0.25kW							0.37kW																																																																																																																																																																																																																																																																																																																																																																																																																																																																																																																																																																																																																																																			
3.7	611	228.99	11	1.30	GFA69	6P	0.44	7282	3037	50	1.10	GFA109R79	4P																																																																																																																																																																																																																																																																																																																																																																																																																																																																																																																																																																																																																																													
4.4	521	195.39	12	1.55	GFAF69		5.0	456	170.85	12	1.75	GF69		5.2	433	162.31	12	1.85	GFF69	6.0	380	142.40	12	2.10		5.8	391	228.99	12	1.95	GFA69	4P	0.68	4724	1970	28	0.95	GFA99R59	4P	6.8	333	195.39	12	2.30	GFAF69	7.8	291	170.85	12	2.60	GF69	8.2	277	162.31	12	2.80	GFF69	9.3	243	142.40	12	3.10		4.3	533	199.70	9.1	1.10	GFA59	6P	1.0	3117	1300	22	1.00	GFA89R59	4P	4.6	490	183.60	9.4	1.20	GFAF59	5.4	419	157.09	10	1.40	GF59	6.2	363	136.16	10	1.60	GFF59	6.7	340	127.27	10	1.75		7.7	294	110.01	11	2.00		6.7	341	199.70	10	1.65	GFA59	4P	1.6	1942	810	13	0.80	GFA89R59	4P	7.2	313	183.60	10	1.80	GFAF59	8.5	268	157.09	11	2.10	GF59	9.8	232	136.16	11	2.40	GFF59	10	217	127.27	11	2.60		12	188	110.01	11	3.00		5.7	400	150.06	5.5	1.00	GFA49	6P	1.9	1702	710	14	0.90	GFA79R39	4P	6.5	347	130.07	6.2	1.15	GFAF49	7.0	324	121.57	6.4	1.20	GF49	8.1	280	105.09	6.8	1.40	GFF49	7.0	325	190.76	6.2	1.15	GFA49	4P	2.2	1475	615	16	1.05	GFA79R39	4P	7.6	299	175.38	6.5	1.25	GFAF49	8.9	256	150.06	6.9	1.45	GF49	10.2	222	130.07	7.2	1.65	GFF49	10.9	207	121.57	7.3	1.80		12.7	179	105.09	7.4	2.10		14.9	152	89.29	7.6	2.40		10	219	128.51	3.5	0.85	GFA39	4P	2.5	1290	538	17	1.20	GFA69R39	4P	11	201	117.88	3.8	0.90	GFAF39	13	171	100.36	4.3	1.10	GF39	15	148	86.53	4.6	1.25	GFF39	16	138	80.65	4.7	1.35		19	120	70.50	4.8	1.55		20	113	66.09	4.9	1.65		23	99	58.32	4.9	1.85		24	93	54.54	5.0	2.00		26	88	51.70	5.0	2.10		28	80	47.02	5.1	2.30		30	75	43.95	5.1	2.50		35	65	38.31	5.1	2.80		37	61	35.91	5.1	3.00		42	54	31.69	5.2	3.40		0.37kW							3.5	921	384	9.4	0.95	GFA69R39	4P	0.20	16084	6708	81	0.80	GFA129R79	4P	3.9	810	338	10	1.05	GFA69R39	4P	0.22	14192	5919	84	0.85	GFAF129R79	0.26	12341	5147	86	1.00	GF129R79	0.29	10857	4528	86	1.15	GFF129R79	0.34	9404	3922	86	1.35		0.39	8272	3450	86	1.55		0.44	7260	3028	86	1.70								2.4	1377	270.68	27	2.10	GFA89	8P	5.2	611	255	8.9	1.00	GFA59R39	4P	2.6	1299	255.37	27	2.30	GFAF89	2.9	1164	228.93	27	2.50	GF89	3.3	1003	197.20	27	2.90	GFF89	4P	6.6	482	201	10	1.30	GFA59R39	4P	3.3	1021	270.68	27	2.80	GFA89	6P	7.3	434	181	10	1.45	GF59R39	4P	3.5	963	255.37	28	3.00	GFAF89	3.9	863	228.93	28	3.30	GF89							7.6	420	175	5.7	1.00	GFA49R19	4P	9.0	352	147	6.4	1.20	GFA49R19	4P	9.0	352	147	6.4	1.20	GFAF49R19	10	312	130	6.8	1.35	GF49R19							2.4	1377	270.68	27	2.10	GFA89	8P	10	312	130	6.8	1.35	GFF49R19	4P	2.6	1299	255.37	27	2.30	GFAF89	2.9	1164	228.93	27	2.50	GF89	3.3	1003	197.20	27	2.90	GFF89	4P	5.1	628	262	8.7	1.00	GFA59R39	4P	3.3	1021	270.68	27	2.80	GFA89	6P	5.9	542	226	9.3	1.15	GFA59R39	4P	3.5	963	255.37	28	3.00	GFAF89	3.9	863	228.93	28	3.30	GF89																																																															
5.0	456	170.85	12	1.75	GF69		5.2	433	162.31	12	1.85	GFF69		6.0	380	142.40	12	2.10		5.8	391	228.99	12	1.95	GFA69	4P	0.68	4724	1970	28	0.95		GFA99R59	4P	6.8	333	195.39	12		2.30	GFAF69	7.8	291	170.85	12	2.60	GF69	8.2	277	162.31	12	2.80	GFF69	9.3	243	142.40	12	3.10		4.3	533	199.70	9.1	1.10	GFA59	6P	1.0	3117	1300		22	1.00	GFA89R59	4P	4.6	490		183.60	9.4	1.20	GFAF59	5.4	419	157.09	10	1.40	GF59	6.2	363	136.16	10	1.60	GFF59	6.7	340	127.27	10	1.75		7.7	294	110.01	11	2.00		6.7	341	199.70	10	1.65	GFA59	4P	1.6		1942	810	13	0.80	GFA89R59	4P		7.2	313	183.60	10	1.80	GFAF59	8.5	268	157.09	11	2.10	GF59	9.8	232	136.16	11	2.40	GFF59	10	217	127.27	11	2.60		12	188	110.01	11	3.00		5.7	400	150.06	5.5	1.00	GFA49		6P	1.9	1702	710	14	0.90		GFA79R39	4P	6.5	347	130.07	6.2	1.15	GFAF49	7.0	324	121.57	6.4	1.20	GF49	8.1	280	105.09	6.8	1.40	GFF49	7.0	325	190.76	6.2		1.15	GFA49	4P	2.2	1475	615		16	1.05	GFA79R39	4P	7.6	299	175.38	6.5	1.25	GFAF49	8.9	256	150.06	6.9	1.45	GF49	10.2	222	130.07	7.2	1.65	GFF49	10.9	207	121.57	7.3	1.80		12.7	179	105.09	7.4	2.10		14.9	152	89.29	7.6	2.40		10	219		128.51	3.5	0.85	GFA39	4P	2.5		1290	538	17	1.20	GFA69R39	4P	11	201	117.88	3.8	0.90	GFAF39	13	171	100.36	4.3	1.10	GF39	15	148	86.53	4.6	1.25	GFF39	16	138	80.65	4.7	1.35		19	120	70.50	4.8	1.55		20	113	66.09	4.9	1.65		23	99	58.32	4.9	1.85		24	93	54.54	5.0	2.00		26	88	51.70	5.0	2.10		28	80	47.02	5.1	2.30		30	75	43.95	5.1	2.50		35	65	38.31	5.1	2.80		37	61	35.91	5.1	3.00		42	54	31.69	5.2	3.40		0.37kW								3.5	921	384	9.4	0.95	GFA69R39		4P	0.20	16084	6708	81	0.80		GFA129R79	4P	3.9	810	338	10	1.05	GFA69R39	4P	0.22	14192	5919	84	0.85	GFAF129R79	0.26	12341	5147	86	1.00	GF129R79	0.29	10857	4528	86	1.15	GFF129R79	0.34	9404	3922	86	1.35		0.39	8272	3450	86	1.55		0.44	7260	3028	86	1.70									2.4	1377	270.68		27	2.10	GFA89	8P	5.2	611	255	8.9	1.00	GFA59R39	4P	2.6	1299	255.37	27	2.30	GFAF89	2.9		1164	228.93	27	2.50	GF89	3.3		1003	197.20	27	2.90	GFF89	4P		6.6	482	201	10	1.30	GFA59R39		4P	3.3	1021	270.68	27	2.80	GFA89	6P	7.3	434	181	10	1.45	GF59R39	4P	3.5	963	255.37	28	3.00	GFAF89	3.9	863	228.93		28	3.30	GF89								7.6	420	175	5.7	1.00	GFA49R19	4P	9.0	352	147	6.4	1.20	GFA49R19	4P	9.0	352	147	6.4	1.20	GFAF49R19	10		312	130	6.8	1.35	GF49R19								2.4	1377	270.68	27	2.10	GFA89	8P	10	312	130	6.8	1.35	GFF49R19		4P	2.6	1299	255.37	27	2.30		GFAF89	2.9	1164	228.93	27	2.50		GF89	3.3	1003	197.20	27	2.90		GFF89	4P	5.1	628	262	8.7	1.00	GFA59R39	4P	3.3	1021	270.68	27	2.80	GFA89	6P	5.9	542	226	9.3	1.15	GFA59R39	4P	3.5	963	255.37	28	3.00	GFAF89	3.9	863	228.93	28	3.30	GF89																																								
5.2	433	162.31	12	1.85	GFF69		6.0	380	142.40	12	2.10			5.8	391	228.99	12	1.95	GFA69	4P	0.68	4724	1970	28	0.95		GFA99R59	4P	6.8	333	195.39		12		2.30	GFAF69	7.8	291		170.85	12	2.60	GF69	8.2	277	162.31	12	2.80	GFF69	9.3	243	142.40	12	3.10		4.3	533	199.70	9.1	1.10	GFA59	6P	1.0	3117	1300		22	1.00	GFA89R59		4P	4.6	490		183.60	9.4		1.20	GFAF59	5.4	419	157.09	10	1.40	GF59	6.2	363	136.16	10	1.60	GFF59	6.7	340	127.27	10	1.75		7.7	294	110.01	11	2.00		6.7	341	199.70	10	1.65	GFA59	4P	1.6		1942		810	13	0.80	GFA89R59	4P			7.2	313	183.60	10	1.80	GFAF59	8.5	268	157.09	11	2.10	GF59	9.8	232	136.16	11	2.40	GFF59	10	217	127.27	11	2.60		12	188	110.01	11	3.00		5.7	400	150.06	5.5	1.00	GFA49			6P	1.9	1702	710	14		0.90		GFA79R39	4P	6.5	347	130.07	6.2	1.15	GFAF49	7.0	324	121.57	6.4	1.20	GF49	8.1	280	105.09	6.8	1.40	GFF49	7.0	325		190.76	6.2		1.15	GFA49	4P		2.2	1475	615		16	1.05	GFA79R39	4P	7.6	299	175.38	6.5	1.25	GFAF49	8.9	256	150.06	6.9	1.45	GF49	10.2	222	130.07	7.2	1.65	GFF49	10.9	207	121.57	7.3	1.80		12.7	179	105.09	7.4	2.10		14.9	152	89.29	7.6		2.40		10	219		128.51		3.5	0.85	GFA39	4P	2.5		1290	538	17	1.20	GFA69R39	4P	11	201	117.88	3.8	0.90	GFAF39	13	171	100.36	4.3	1.10	GF39	15	148	86.53	4.6	1.25	GFF39	16	138	80.65	4.7	1.35		19	120	70.50	4.8	1.55		20	113	66.09	4.9	1.65		23	99	58.32	4.9	1.85		24	93	54.54	5.0	2.00		26	88	51.70	5.0	2.10		28	80	47.02	5.1	2.30		30	75	43.95	5.1	2.50		35	65	38.31	5.1	2.80		37	61	35.91	5.1	3.00		42	54	31.69	5.2	3.40		0.37kW							3.5			921	384	9.4	0.95	GFA69R39		4P		0.20	16084	6708	81	0.80	GFA129R79		4P	3.9	810	338	10	1.05	GFA69R39	4P	0.22	14192	5919	84	0.85	GFAF129R79	0.26	12341	5147	86	1.00	GF129R79	0.29	10857	4528	86	1.15	GFF129R79	0.34	9404	3922	86	1.35		0.39	8272	3450	86	1.55		0.44		7260	3028	86	1.70										2.4	1377	270.68	27		2.10	GFA89	8P	5.2	611	255	8.9		1.00	GFA59R39	4P	2.6	1299	255.37		27	2.30	GFAF89	2.9	1164			228.93	27	2.50	GF89	3.3	1003			197.20	27	2.90	GFF89	4P	6.6		482	201	10	1.30	GFA59R39	4P		3.3	1021	270.68	27	2.80	GFA89	6P	7.3	434		181	10	1.45	GF59R39	4P	3.5		963	255.37	28	3.00	GFAF89	3.9	863	228.93	28		3.30	GF89								7.6	420	175	5.7	1.00		GFA49R19	4P	9.0	352	147	6.4		1.20	GFA49R19	4P	9.0	352	147	6.4	1.20	GFAF49R19	10	312		130	6.8	1.35	GF49R19									2.4		1377	270.68	27	2.10	GFA89	8P		10	312	130	6.8	1.35	GFF49R19		4P		2.6	1299	255.37	27	2.30	GFAF89		2.9	1164	228.93	27	2.50	GF89		3.3	1003	197.20	27	2.90	GFF89		4P	5.1	628	262	8.7	1.00	GFA59R39	4P	3.3	1021	270.68	27	2.80	GFA89	6P	5.9	542	226	9.3	1.15	GFA59R39	4P	3.5	963	255.37	28	3.00	GFAF89	3.9	863	228.93	28	3.30	GF89																		
6.0	380	142.40	12	2.10			5.8	391	228.99	12	1.95	GFA69		4P	0.68	4724	1970	28	0.95		GFA99R59	4P	6.8	333	195.39		12		2.30	GFAF69	7.8		291		170.85	12	2.60	GF69		8.2	277	162.31	12	2.80	GFF69	9.3	243	142.40	12	3.10		4.3	533	199.70	9.1	1.10	GFA59	6P	1.0	3117	1300		22	1.00	GFA89R59		4P	4.6	490			183.60	9.4		1.20	GFAF59		5.4	419	157.09	10	1.40	GF59	6.2	363	136.16	10	1.60	GFF59	6.7	340	127.27	10	1.75		7.7	294	110.01	11	2.00		6.7	341	199.70	10	1.65	GFA59	4P	1.6		1942		810		13	0.80	GFA89R59	4P				7.2	313	183.60	10	1.80	GFAF59	8.5	268	157.09	11	2.10	GF59	9.8	232	136.16	11	2.40	GFF59	10	217	127.27	11	2.60		12	188	110.01	11	3.00		5.7	400	150.06	5.5	1.00	GFA49				6P	1.9	1702	710		14		0.90		GFA79R39	4P	6.5	347	130.07	6.2	1.15	GFAF49	7.0	324	121.57	6.4	1.20	GF49	8.1	280	105.09	6.8	1.40	GFF49		7.0	325		190.76	6.2			1.15	GFA49	4P		2.2	1475	615		16	1.05	GFA79R39	4P	7.6	299	175.38	6.5	1.25	GFAF49	8.9	256	150.06	6.9	1.45	GF49	10.2	222	130.07	7.2	1.65	GFF49	10.9	207	121.57	7.3	1.80		12.7	179	105.09	7.4	2.10			14.9	152	89.29	7.6		2.40			10	219		128.51		3.5	0.85	GFA39	4P	2.5		1290	538	17	1.20	GFA69R39	4P	11	201	117.88	3.8	0.90	GFAF39	13	171	100.36	4.3	1.10	GF39	15	148	86.53	4.6	1.25	GFF39	16	138	80.65	4.7	1.35		19	120	70.50	4.8	1.55		20	113	66.09	4.9	1.65		23	99	58.32	4.9	1.85		24	93	54.54	5.0	2.00		26	88	51.70	5.0	2.10		28	80	47.02	5.1	2.30		30	75	43.95	5.1	2.50		35	65	38.31	5.1	2.80		37	61	35.91	5.1	3.00		42		54	31.69	5.2	3.40		0.37kW							3.5				921	384	9.4	0.95	GFA69R39	4P			0.20	16084	6708	81	0.80	GFA129R79		4P	3.9	810	338	10	1.05	GFA69R39	4P	0.22	14192	5919	84	0.85	GFAF129R79	0.26	12341	5147	86	1.00	GF129R79	0.29	10857	4528	86	1.15	GFF129R79	0.34	9404	3922	86	1.35		0.39	8272	3450	86	1.55		0.44	7260	3028	86		1.70										2.4	1377	270.68	27		2.10	GFA89		8P	5.2	611	255	8.9	1.00	GFA59R39	4P	2.6		1299	255.37	27	2.30	GFAF89	2.9	1164	228.93		27	2.50	GF89	3.3		1003		197.20	27	2.90	GFF89	4P			6.6	482	201	10	1.30	GFA59R39		4P	3.3	1021	270.68	27	2.80	GFA89		6P	7.3	434	181	10	1.45	GF59R39	4P	3.5	963	255.37		28	3.00	GFAF89	3.9	863	228.93		28	3.30	GF89								7.6	420	175	5.7	1.00	GFA49R19	4P		9.0	352	147	6.4	1.20	GFA49R19	4P	9.0		352	147	6.4	1.20	GFAF49R19	10			312	130	6.8	1.35	GF49R19									2.4	1377	270.68	27	2.10	GFA89	8P			10	312	130	6.8	1.35	GFF49R19		4P	2.6	1299	255.37	27	2.30		GFAF89	2.9	1164	228.93	27	2.50			GF89	3.3	1003	197.20	27	2.90		GFF89	4P	5.1	628	262	8.7		1.00	GFA59R39	4P	3.3	1021	270.68		27	2.80	GFA89	6P	5.9	542	226	9.3	1.15	GFA59R39	4P	3.5	963	255.37	28	3.00	GFAF89	3.9	863	228.93	28	3.30	GF89							
5.8	391	228.99	12	1.95	GFA69	4P	0.68	4724	1970	28	0.95	GFA99R59	4P																																																																																																																																																																																																																																																																																																																																																																																																																																																																																																																																																																																																																																													
6.8	333	195.39	12	2.30	GFAF69		7.8	291	170.85	12	2.60	GF69			8.2	277	162.31	12	2.80		GFF69		9.3	243	142.40		12		3.10		4.3	533	199.70		9.1	1.10	GFA59	6P	1.0	3117	1300	22	1.00	GFA89R59	4P	4.6	490	183.60	9.4	1.20	GFAF59	5.4	419	157.09	10	1.40	GF59		6.2	363	136.16		10	1.60	GFF59			6.7	340	127.27		10	1.75			7.7	294	110.01	11	2.00		6.7	341	199.70	10	1.65	GFA59	4P	1.6	1942	810	13	0.80	GFA89R59	4P	7.2	313	183.60	10	1.80	GFAF59	8.5	268	157.09	11	2.10	GF59		9.8		232		136.16	11	2.40	GFF59	10				217	127.27	11	2.60		12	188	110.01	11	3.00		5.7	400	150.06	5.5	1.00	GFA49	6P	1.9	1702	710	14	0.90	GFA79R39	4P	6.5	347	130.07	6.2	1.15	GFAF49	7.0	324	121.57	6.4	1.20	GF49	8.1				280	105.09	6.8	1.40	GFF49		7.0		325		190.76	6.2	1.15	GFA49	4P	2.2	1475	615	16	1.05	GFA79R39	4P	7.6	299	175.38	6.5	1.25	GFAF49	8.9	256	150.06		6.9	1.45		GF49	10.2	222			130.07	7.2	1.65		GFF49	10.9	207		121.57	7.3	1.80		12.7	179	105.09	7.4	2.10		14.9	152	89.29	7.6	2.40		10	219	128.51	3.5	0.85	GFA39	4P	2.5	1290	538	17	1.20	GFA69R39	4P		11	201	117.88	3.8		0.90	GFAF39	13	171	100.36		4.3		1.10	GF39	15		148		86.53	4.6	1.25	GFF39	16		138	80.65	4.7	1.35		19	120	70.50	4.8	1.55		20	113	66.09	4.9	1.65		23	99	58.32	4.9	1.85		24	93	54.54	5.0	2.00		26	88	51.70	5.0	2.10		28	80	47.02	5.1	2.30		30	75	43.95	5.1	2.50		35	65	38.31	5.1	2.80		37	61	35.91	5.1	3.00		42	54	31.69	5.2	3.40		0.37kW							3.5	921	384	9.4	0.95	GFA69R39	4P	0.20	16084	6708	81	0.80	GFA129R79	4P			3.9	810	338	10	1.05	GFA69R39			4P	0.22	14192	5919	84				0.85	GFAF129R79	0.26	12341	5147	86			1.00	GF129R79	0.29	10857	4528	86		1.15	GFF129R79	0.34	9404	3922	86	1.35		0.39	8272	3450	86	1.55		0.44	7260	3028	86	1.70								2.4	1377	270.68	27	2.10	GFA89	8P	5.2	611	255	8.9	1.00	GFA59R39	4P	2.6	1299	255.37	27	2.30	GFAF89	2.9	1164	228.93	27	2.50	GF89	3.3		1003	197.20	27	2.90	GFF89	4P		6.6		482	201	10	1.30	GFA59R39	4P	3.3	1021	270.68	27	2.80	GFA89	6P		7.3	434	181	10	1.45	GF59R39		4P	3.5	963	255.37	28	3.00	GFAF89	3.9	863		228.93	28	3.30	GF89								7.6	420	175		5.7	1.00	GFA49R19	4P	9.0	352	147	6.4	1.20	GFA49R19	4P	9.0	352	147	6.4	1.20	GFAF49R19	10	312	130	6.8	1.35	GF49R19								2.4	1377	270.68	27	2.10		GFA89	8P	10	312	130	6.8	1.35	GFF49R19	4P	2.6	1299	255.37	27	2.30	GFAF89	2.9	1164	228.93	27	2.50	GF89	3.3	1003	197.20	27	2.90	GFF89	4P	5.1		628		262	8.7	1.00	GFA59R39	4P	3.3			1021	270.68	27	2.80	GFA89	6P	5.9	542	226	9.3	1.15	GFA59R39	4P		3.5	963	255.37	28	3.00	GFAF89		3.9		863	228.93	28	3.30	GF89																																					
7.8	291	170.85	12	2.60	GF69		8.2	277	162.31	12	2.80	GFF69			9.3	243	142.40	12	3.10				4.3	533	199.70	9.1	1.10		GFA59	6P	1.0	3117	1300	22	1.00	GFA89R59	4P		4.6	490	183.60	9.4	1.20	GFAF59		5.4	419	157.09	10	1.40	GF59	6.2	363	136.16	10	1.60	GFF59		6.7	340	127.27		10	1.75		7.7		294	110.01	11		2.00		6.7	341	199.70	10	1.65	GFA59	4P	1.6	1942	810	13	0.80	GFA89R59	4P		7.2	313	183.60	10	1.80	GFAF59		8.5	268	157.09	11	2.10	GF59	9.8	232	136.16	11	2.40	GFF59		10		217	127.27	11	2.60		12	188			110.01	11	3.00		5.7	400	150.06	5.5	1.00	GFA49	6P	1.9	1702	710	14	0.90	GFA79R39	4P		6.5	347	130.07	6.2	1.15	GFAF49		7.0	324	121.57	6.4	1.20	GF49	8.1	280	105.09	6.8	1.40	GFF49	7.0	325			190.76	6.2	1.15	GFA49	4P	2.2	1475		615		16	1.05	GFA79R39	4P		7.6	299	175.38	6.5	1.25	GFAF49		8.9	256	150.06	6.9	1.45	GF49	10.2	222	130.07	7.2	1.65	GFF49		10.9	207	121.57		7.3	1.80		12.7		179	105.09	7.4		2.10		14.9	152	89.29	7.6	2.40		10	219	128.51	3.5	0.85	GFA39	4P	2.5	1290	538	17	1.20	GFA69R39	4P		11	201	117.88	3.8	0.90	GFAF39			13	171	100.36	4.3		1.10	GF39	15	148	86.53		4.6	1.25	GFF39	16	138		80.65		4.7	1.35		19	120		70.50	4.8	1.55		20	113	66.09	4.9	1.65		23	99	58.32	4.9	1.85		24	93	54.54	5.0	2.00		26	88	51.70	5.0	2.10		28	80	47.02	5.1	2.30		30	75	43.95	5.1	2.50		35	65	38.31	5.1	2.80		37	61	35.91	5.1	3.00		42	54	31.69	5.2	3.40		0.37kW							3.5	921	384	9.4	0.95	GFA69R39	4P	0.20	16084	6708	81	0.80	GFA129R79		4P	3.9	810	338	10	1.05			GFA69R39	4P	0.22	14192	5919	84	0.85				GFAF129R79	0.26	12341	5147		86		1.00	GF129R79	0.29	10857	4528	86			1.15	GFF129R79	0.34	9404	3922	86		1.35		0.39	8272	3450	86	1.55		0.44	7260	3028	86	1.70								2.4	1377	270.68	27	2.10	GFA89	8P	5.2	611	255	8.9	1.00		GFA59R39	4P	2.6	1299	255.37	27		2.30	GFAF89	2.9	1164	228.93	27	2.50	GF89	3.3	1003	197.20	27	2.90	GFF89	4P	6.6	482	201	10		1.30	GFA59R39	4P	3.3	1021	270.68	27	2.80		GFA89	6P	7.3	434	181	10			1.45	GF59R39	4P	3.5	963	255.37			28	3.00	GFAF89	3.9	863	228.93	28	3.30	GF89							7.6	420	175	5.7	1.00	GFA49R19	4P	9.0	352	147	6.4	1.20		GFA49R19	4P	9.0	352	147	6.4		1.20	GFAF49R19	10	312	130	6.8	1.35	GF49R19							2.4	1377	270.68	27	2.10	GFA89	8P	10	312	130	6.8	1.35		GFF49R19	4P	2.6	1299	255.37	27		2.30	GFAF89	2.9	1164	228.93	27	2.50	GF89	3.3	1003	197.20	27	2.90	GFF89	4P	5.1	628	262		8.7	1.00	GFA59R39	4P	3.3	1021	270.68	27		2.80	GFA89	6P	5.9	542	226	9.3	1.15		GFA59R39	4P	3.5	963	255.37	28			3.00	GFAF89	3.9	863	228.93	28		3.30		GF89																																									
8.2	277	162.31	12	2.80	GFF69		9.3	243	142.40	12	3.10				4.3	533	199.70	9.1	1.10	GFA59	6P		1.0	3117	1300	22	1.00	GFA89R59	4P		4.6	490	183.60	9.4	1.20	GFAF59			5.4	419	157.09	10	1.40	GF59		6.2	363	136.16	10	1.60	GFF59	6.7	340	127.27	10	1.75			7.7	294	110.01	11	2.00		6.7	341		199.70	10	1.65	GFA59	4P	1.6	1942	810	13	0.80	GFA89R59	4P		7.2	313	183.60	10	1.80	GFAF59			8.5	268	157.09	11	2.10	GF59		9.8	232	136.16	11	2.40	GFF59	10	217	127.27	11	2.60			12	188	110.01	11	3.00		5.7	400	150.06		5.5	1.00	GFA49	6P	1.9	1702	710	14	0.90	GFA79R39	4P		6.5	347	130.07	6.2	1.15	GFAF49			7.0	324	121.57	6.4	1.20	GF49		8.1	280	105.09	6.8	1.40	GFF49	7.0	325	190.76	6.2	1.15	GFA49	4P	2.2	1475		615	16	1.05	GFA79R39		4P	7.6	299	175.38		6.5	1.25	GFAF49			8.9	256	150.06	6.9	1.45	GF49		10.2	222	130.07	7.2	1.65	GFF49	10.9	207	121.57	7.3	1.80		12.7	179	105.09	7.4		2.10		14.9	152	89.29	7.6	2.40			10	219	128.51	3.5	0.85	GFA39	4P	2.5	1290	538	17	1.20	GFA69R39	4P		11	201	117.88	3.8	0.90	GFAF39			13	171	100.36	4.3	1.10	GF39			15	148	86.53	4.6		1.25	GFF39	16	138	80.65		4.7	1.35		19	120		70.50	4.8	1.55		20	113	66.09		4.9	1.65		23	99	58.32	4.9	1.85		24	93	54.54	5.0	2.00		26	88	51.70	5.0	2.10		28	80	47.02	5.1	2.30		30	75	43.95	5.1	2.50		35	65	38.31	5.1	2.80		37	61	35.91	5.1	3.00		42	54	31.69	5.2	3.40		0.37kW							3.5	921	384	9.4	0.95	GFA69R39	4P	0.20	16084	6708	81	0.80	GFA129R79		4P	3.9	810	338	10	1.05			GFA69R39	4P	0.22	14192	5919			84		0.85	GFAF129R79	0.26	12341	5147	86			1.00	GF129R79	0.29	10857		4528		86	1.15	GFF129R79	0.34	9404	3922	86		1.35		0.39	8272	3450	86		1.55		0.44	7260	3028	86	1.70								2.4	1377	270.68	27	2.10	GFA89	8P	5.2	611	255	8.9	1.00		GFA59R39	4P	2.6	1299	255.37		27		2.30	GFAF89	2.9	1164		228.93	27	2.50	GF89	3.3	1003	197.20	27	2.90	GFF89	4P	6.6	482	201		10	1.30	GFA59R39	4P		3.3	1021		270.68	27	2.80	GFA89	6P		7.3		434	181	10	1.45		GF59R39	4P	3.5		963	255.37	28			3.00	GFAF89	3.9	863	228.93	28	3.30	GF89							7.6	420	175	5.7	1.00	GFA49R19	4P		9.0	352	147	6.4	1.20		GFA49R19		4P	9.0	352	147		6.4	1.20	GFAF49R19	10	312	130	6.8	1.35	GF49R19							2.4	1377	270.68	27	2.10		GFA89	8P	10	312	130		6.8		1.35	GFF49R19	4P	2.6		1299	255.37	27	2.30	GFAF89	2.9	1164	228.93	27	2.50	GF89	3.3	1003	197.20		27	2.90	GFF89		4P	5.1	628		262	8.7	1.00	GFA59R39		4P	3.3		1021	270.68	27	2.80	GFA89		6P		5.9	542	226	9.3		1.15	GFA59R39	4P	3.5	963	255.37	28	3.00	GFAF89		3.9	863	228.93	28	3.30	GF89																																				
9.3	243	142.40	12	3.10			4.3	533	199.70	9.1	1.10	GFA59		6P	1.0	3117	1300	22	1.00	GFA89R59		4P	4.6	490	183.60	9.4	1.20	GFAF59			5.4	419	157.09	10	1.40	GF59			6.2	363	136.16	10	1.60	GFF59		6.7	340	127.27	10	1.75		7.7	294	110.01	11	2.00		6.7	341	199.70	10	1.65	GFA59	4P	1.6	1942	810	13	0.80	GFA89R59	4P		7.2	313	183.60	10	1.80	GFAF59			8.5	268	157.09	11	2.10	GF59			9.8	232	136.16	11	2.40	GFF59		10	217	127.27	11	2.60		12	188	110.01	11	3.00		5.7	400	150.06	5.5	1.00	GFA49	6P	1.9	1702	710	14	0.90	GFA79R39	4P		6.5	347	130.07	6.2	1.15	GFAF49			7.0	324	121.57	6.4	1.20	GF49			8.1	280	105.09	6.8	1.40	GFF49		7.0	325	190.76	6.2	1.15	GFA49	4P	2.2	1475	615	16	1.05		GFA79R39	4P	7.6	299	175.38	6.5	1.25			GFAF49	8.9	256	150.06	6.9	1.45	GF49			10.2	222	130.07	7.2	1.65	GFF49		10.9	207	121.57	7.3	1.80		12.7	179	105.09	7.4	2.10		14.9	152	89.29	7.6	2.40		10	219	128.51	3.5	0.85	GFA39	4P	2.5	1290	538	17	1.20	GFA69R39	4P		11	201	117.88	3.8	0.90	GFAF39			13	171	100.36	4.3	1.10	GF39			15	148	86.53	4.6	1.25	GFF39			16	138	80.65	4.7		1.35		19	120	70.50		4.8	1.55		20	113		66.09	4.9	1.65		23	99	58.32	4.9	1.85		24	93	54.54	5.0	2.00		26	88	51.70	5.0	2.10		28	80	47.02	5.1	2.30		30	75	43.95	5.1	2.50		35	65	38.31	5.1	2.80		37	61	35.91	5.1	3.00		42	54	31.69	5.2	3.40		0.37kW							3.5	921	384	9.4	0.95	GFA69R39	4P	0.20	16084	6708	81	0.80	GFA129R79		4P	3.9	810	338	10	1.05			GFA69R39	4P	0.22	14192	5919			84		0.85	GFAF129R79	0.26		12341	5147		86	1.00	GF129R79	0.29	10857	4528			86	1.15	GFF129R79	0.34	9404	3922		86	1.35		0.39	8272	3450	86		1.55		0.44	7260	3028	86	1.70								2.4	1377	270.68	27	2.10	GFA89	8P	5.2	611	255	8.9	1.00	GFA59R39		4P	2.6	1299	255.37	27		2.30		GFAF89	2.9	1164	228.93	27		2.50	GF89	3.3	1003	197.20	27	2.90	GFF89	4P	6.6	482	201	10	1.30	GFA59R39		4P	3.3	1021		270.68	27	2.80			GFA89	6P		7.3	434	181	10		1.45	GF59R39		4P	3.5	963	255.37	28	3.00		GFAF89		3.9	863	228.93	28	3.30	GF89							7.6	420	175	5.7	1.00	GFA49R19	4P	9.0	352	147	6.4	1.20	GFA49R19			4P	9.0	352	147	6.4	1.20	GFAF49R19			10	312	130	6.8	1.35	GF49R19							2.4	1377	270.68	27	2.10	GFA89	8P	10	312	130	6.8	1.35		GFF49R19		4P	2.6	1299	255.37	27		2.30	GFAF89		2.9	1164	228.93	27	2.50	GF89	3.3	1003	197.20	27	2.90	GFF89	4P	5.1	628	262		8.7	1.00	GFA59R39			4P	3.3		1021	270.68	27	2.80			GFA89		6P	5.9	542	226	9.3	1.15			GFA59R39	4P	3.5	963	255.37	28	3.00		GFAF89	3.9	863	228.93	28	3.30	GF89																																										
4.3	533	199.70	9.1	1.10	GFA59	6P	1.0	3117	1300	22	1.00	GFA89R59	4P																																																																																																																																																																																																																																																																																																																																																																																																																																																																																																																																																																																																																																													
4.6	490	183.60	9.4	1.20	GFAF59		5.4	419	157.09	10	1.40	GF59			6.2	363	136.16	10	1.60	GFF59			6.7	340	127.27	10	1.75				7.7	294	110.01	11	2.00			6.7	341	199.70	10	1.65	GFA59	4P	1.6	1942	810	13	0.80	GFA89R59	4P	7.2	313	183.60	10	1.80	GFAF59	8.5	268	157.09	11	2.10	GF59		9.8	232	136.16	11	2.40	GFF59			10	217	127.27	11	2.60				12	188	110.01	11	3.00			5.7	400	150.06	5.5	1.00	GFA49	6P	1.9	1702	710	14	0.90	GFA79R39	4P	6.5	347	130.07	6.2	1.15	GFAF49	7.0	324	121.57	6.4	1.20	GF49		8.1	280	105.09	6.8	1.40	GFF49			7.0	325	190.76	6.2	1.15	GFA49			4P	2.2	1475	615	16	1.05		GFA79R39	4P	7.6	299	175.38	6.5	1.25	GFAF49	8.9	256	150.06	6.9	1.45	GF49		10.2	222	130.07	7.2	1.65		GFF49		10.9	207	121.57	7.3	1.80				12.7	179	105.09	7.4	2.10			14.9	152	89.29	7.6	2.40		10	219	128.51	3.5	0.85	GFA39	4P	2.5	1290	538	17	1.20	GFA69R39	4P	11	201	117.88	3.8	0.90	GFAF39	13	171	100.36	4.3	1.10	GF39		15	148	86.53	4.6	1.25	GFF39			16	138	80.65	4.7	1.35				19	120	70.50	4.8	1.55				20	113	66.09	4.9	1.65		23		99	58.32	4.9	1.85			24	93	54.54	5.0		2.00		26	88	51.70		5.0	2.10		28	80	47.02	5.1	2.30		30	75	43.95	5.1	2.50		35	65	38.31	5.1	2.80		37	61	35.91	5.1	3.00		42	54	31.69	5.2	3.40		0.37kW							3.5	921	384	9.4	0.95	GFA69R39	4P	0.20	16084	6708	81	0.80	GFA129R79	4P	3.9	810	338	10	1.05	GFA69R39	4P	0.22	14192	5919	84		0.85	GFAF129R79	0.26	12341	5147	86			1.00	GF129R79	0.29	10857	4528			86		1.15	GFF129R79	0.34	9404		3922		86	1.35			0.39	8272		3450	86	1.55		0.44	7260	3028	86	1.70								2.4	1377	270.68	27	2.10	GFA89		8P	5.2	611	255	8.9	1.00	GFA59R39	4P	2.6	1299	255.37	27	2.30	GFAF89	2.9	1164	228.93	27	2.50	GF89		3.3	1003	197.20	27	2.90	GFF89	4P		6.6	482	201	10	1.30	GFA59R39	4P	3.3	1021	270.68	27	2.80	GFA89	6P	7.3	434	181	10	1.45	GF59R39	4P		3.5	963	255.37	28	3.00	GFAF89			3.9	863		228.93	28	3.30	GF89								7.6	420	175	5.7	1.00		GFA49R19	4P	9.0	352	147	6.4	1.20	GFA49R19	4P	9.0	352	147	6.4	1.20	GFAF49R19	10	312	130	6.8	1.35	GF49R19								2.4	1377	270.68	27	2.10	GFA89	8P		10	312	130	6.8	1.35	GFF49R19	4P	2.6	1299	255.37	27	2.30	GFAF89	2.9	1164	228.93	27	2.50	GF89	3.3	1003	197.20	27	2.90	GFF89	4P		5.1	628	262	8.7	1.00	GFA59R39	4P	3.3		1021	270.68	27	2.80	GFA89	6P	5.9	542	226	9.3	1.15	GFA59R39	4P	3.5	963	255.37	28	3.00	GFAF89	3.9		863	228.93	28		3.30	GF89																																																																															
5.4	419	157.09	10	1.40	GF59		6.2	363	136.16	10	1.60	GFF59			6.7	340	127.27	10	1.75				7.7	294	110.01	11	2.00			6.7	341	199.70	10	1.65	GFA59	4P	1.6	1942	810	13	0.80	GFA89R59	4P		7.2	313	183.60	10	1.80	GFAF59		8.5	268	157.09	11	2.10	GF59	9.8	232	136.16	11	2.40	GFF59		10	217	127.27	11	2.60				12	188	110.01	11	3.00			5.7	400	150.06	5.5	1.00	GFA49	6P	1.9	1702	710	14	0.90	GFA79R39	4P		6.5	347	130.07	6.2	1.15	GFAF49		7.0	324	121.57	6.4	1.20	GF49	8.1	280	105.09	6.8	1.40	GFF49		7.0	325	190.76	6.2	1.15	GFA49			4P	2.2	1475	615	16	1.05		GFA79R39		4P	7.6	299	175.38	6.5	1.25	GFAF49		8.9	256	150.06	6.9	1.45	GF49	10.2	222	130.07	7.2	1.65	GFF49		10.9	207	121.57	7.3	1.80				12.7	179	105.09	7.4	2.10			14.9	152	89.29	7.6	2.40		10	219	128.51	3.5	0.85	GFA39	4P	2.5	1290	538	17	1.20	GFA69R39	4P		11	201	117.88	3.8	0.90	GFAF39		13	171	100.36	4.3	1.10	GF39	15	148	86.53	4.6	1.25	GFF39		16	138	80.65	4.7	1.35				19	120	70.50	4.8	1.55				20	113	66.09	4.9	1.65		23		99	58.32	4.9	1.85		24	93		54.54	5.0	2.00			26	88	51.70	5.0	2.10			28	80	47.02	5.1		2.30		30	75	43.95	5.1	2.50		35	65	38.31	5.1	2.80		37	61	35.91	5.1	3.00		42	54	31.69	5.2	3.40		0.37kW							3.5	921	384	9.4	0.95	GFA69R39	4P	0.20	16084	6708	81	0.80	GFA129R79		4P	3.9	810	338	10	1.05		GFA69R39	4P	0.22	14192	5919	84		0.85	GFAF129R79	0.26	12341		5147	86	1.00	GF129R79	0.29	10857			4528	86	1.15	GFF129R79	0.34	9404		3922		86	1.35		0.39		8272		3450	86	1.55			0.44	7260	3028	86	1.70								2.4	1377	270.68	27	2.10	GFA89	8P	5.2	611	255	8.9	1.00	GFA59R39		4P	2.6	1299	255.37	27	2.30		GFAF89	2.9	1164	228.93	27	2.50	GF89	3.3	1003	197.20	27	2.90	GFF89	4P	6.6	482	201	10	1.30		GFA59R39	4P	3.3	1021	270.68	27	2.80		GFA89	6P	7.3	434	181	10		1.45	GF59R39	4P	3.5	963	255.37			28	3.00	GFAF89	3.9	863	228.93		28	3.30	GF89							7.6	420	175	5.7	1.00	GFA49R19	4P	9.0	352	147	6.4	1.20	GFA49R19		4P	9.0	352	147	6.4	1.20		GFAF49R19	10	312	130	6.8	1.35	GF49R19							2.4	1377	270.68	27	2.10	GFA89	8P	10	312	130	6.8	1.35		GFF49R19	4P	2.6	1299	255.37	27	2.30		GFAF89	2.9	1164	228.93	27	2.50	GF89	3.3	1003	197.20	27	2.90	GFF89	4P	5.1	628	262	8.7		1.00	GFA59R39	4P	3.3	1021	270.68	27		2.80	GFA89	6P	5.9	542	226	9.3		1.15	GFA59R39	4P	3.5	963	255.37		28	3.00	GFAF89	3.9	863	228.93	28		3.30	GF89																																																																																			
6.2	363	136.16	10	1.60	GFF59		6.7	340	127.27	10	1.75				7.7	294	110.01	11	2.00		6.7		341	199.70	10	1.65	GFA59	4P	1.6	1942	810	13	0.80	GFA89R59	4P		7.2	313	183.60	10	1.80	GFAF59			8.5	268	157.09	11	2.10	GF59		9.8	232	136.16	11	2.40	GFF59	10	217	127.27	11	2.60			12	188	110.01	11	3.00			5.7	400	150.06	5.5	1.00	GFA49	6P	1.9	1702	710	14	0.90	GFA79R39	4P		6.5	347	130.07	6.2	1.15	GFAF49			7.0	324	121.57	6.4	1.20	GF49		8.1	280	105.09	6.8	1.40	GFF49	7.0	325	190.76	6.2	1.15	GFA49		4P	2.2	1475	615	16	1.05		GFA79R39		4P	7.6	299	175.38	6.5	1.25	GFAF49			8.9	256	150.06	6.9	1.45	GF49		10.2	222	130.07	7.2	1.65	GFF49	10.9	207	121.57	7.3	1.80			12.7	179	105.09	7.4	2.10		14.9		152	89.29	7.6	2.40		10	219	128.51	3.5	0.85	GFA39	4P	2.5	1290	538	17	1.20	GFA69R39	4P		11	201	117.88	3.8	0.90	GFAF39			13	171	100.36	4.3	1.10	GF39		15	148	86.53	4.6	1.25	GFF39	16	138	80.65	4.7	1.35			19	120	70.50	4.8	1.55				20	113	66.09	4.9	1.65		23		99	58.32	4.9	1.85		24	93		54.54	5.0	2.00		26	88	51.70		5.0	2.10		28		80	47.02	5.1	2.30			30	75	43.95	5.1	2.50			35	65	38.31	5.1	2.80		37	61	35.91	5.1	3.00		42	54	31.69	5.2	3.40		0.37kW							3.5	921	384	9.4	0.95	GFA69R39	4P	0.20	16084	6708	81	0.80	GFA129R79		4P	3.9	810	338	10	1.05			GFA69R39	4P	0.22	14192	5919		84		0.85	GFAF129R79	0.26	12341		5147	86	1.00	GF129R79		0.29	10857	4528	86	1.15	GFF129R79	0.34		9404	3922	86	1.35		0.39		8272		3450	86	1.55			0.44	7260	3028	86	1.70									2.4	1377	270.68	27	2.10	GFA89	8P	5.2	611	255	8.9	1.00		GFA59R39	4P	2.6	1299	255.37	27			2.30	GFAF89	2.9	1164	228.93		27	2.50	GF89	3.3	1003	197.20	27	2.90	GFF89	4P	6.6	482	201		10	1.30	GFA59R39	4P	3.3		1021		270.68	27	2.80	GFA89	6P		7.3		434	181	10	1.45		GF59R39	4P		3.5	963	255.37			28	3.00	GFAF89	3.9	863	228.93	28	3.30	GF89							7.6	420	175	5.7	1.00	GFA49R19	4P		9.0	352	147	6.4	1.20	GFA49R19			4P	9.0	352	147	6.4		1.20	GFAF49R19	10	312	130	6.8	1.35	GF49R19							2.4	1377	270.68	27	2.10		GFA89	8P	10	312	130		6.8		1.35	GFF49R19	4P	2.6	1299		255.37	27	2.30	GFAF89	2.9	1164	228.93	27	2.50	GF89	3.3	1003	197.20		27	2.90	GFF89	4P		5.1	628		262	8.7	1.00	GFA59R39		4P	3.3		1021	270.68	27	2.80		GFA89	6P		5.9	542	226		9.3	1.15	GFA59R39	4P	3.5	963	255.37		28	3.00	GFAF89	3.9	863	228.93	28	3.30	GF89																																																																												
6.7	340	127.27	10	1.75			7.7	294	110.01	11	2.00			6.7	341	199.70	10	1.65	GFA59	4P	1.6	1942	810	13	0.80	GFA89R59	4P		7.2	313	183.60	10	1.80	GFAF59			8.5	268	157.09	11	2.10	GF59			9.8	232	136.16	11	2.40	GFF59		10	217	127.27	11	2.60		12	188	110.01	11	3.00		5.7	400	150.06	5.5	1.00	GFA49	6P	1.9	1702	710	14	0.90	GFA79R39	4P		6.5	347	130.07	6.2	1.15	GFAF49			7.0	324	121.57	6.4	1.20	GF49			8.1	280	105.09	6.8	1.40	GFF49		7.0	325	190.76	6.2	1.15	GFA49	4P	2.2	1475	615	16	1.05	GFA79R39		4P	7.6	299	175.38	6.5	1.25	GFAF49			8.9	256	150.06	6.9	1.45	GF49			10.2	222	130.07	7.2	1.65	GFF49		10.9	207	121.57	7.3	1.80		12.7	179	105.09	7.4	2.10		14.9	152	89.29	7.6	2.40		10	219	128.51	3.5	0.85	GFA39	4P	2.5	1290	538	17	1.20	GFA69R39	4P		11	201	117.88	3.8	0.90	GFAF39			13	171	100.36	4.3	1.10	GF39			15	148	86.53	4.6	1.25	GFF39		16	138	80.65	4.7	1.35		19	120	70.50	4.8	1.55			20	113	66.09	4.9	1.65		23		99	58.32	4.9	1.85		24	93		54.54	5.0	2.00		26	88	51.70		5.0	2.10		28	80	47.02	5.1		2.30		30	75		43.95	5.1	2.50		35		65	38.31	5.1	2.80			37	61	35.91	5.1	3.00		42	54	31.69	5.2	3.40		0.37kW							3.5	921	384	9.4	0.95	GFA69R39	4P	0.20	16084	6708	81	0.80	GFA129R79		4P	3.9	810	338	10	1.05			GFA69R39	4P	0.22	14192	5919			84		0.85	GFAF129R79	0.26		12341		5147	86	1.00	GF129R79		0.29	10857	4528	86	1.15	GFF129R79	0.34	9404	3922	86	1.35			0.39	8272	3450	86	1.55			0.44	7260	3028	86	1.70									2.4	1377	270.68	27	2.10	GFA89	8P	5.2	611	255	8.9	1.00	GFA59R39		4P	2.6	1299	255.37	27		2.30		GFAF89	2.9	1164	228.93	27		2.50	GF89	3.3	1003	197.20	27	2.90	GFF89	4P	6.6	482	201	10	1.30	GFA59R39		4P	3.3	1021		270.68	27	2.80		GFA89		6P		7.3	434	181	10		1.45	GF59R39		4P	3.5	963	255.37	28	3.00			GFAF89	3.9	863	228.93	28	3.30	GF89							7.6	420	175	5.7	1.00	GFA49R19	4P	9.0	352	147	6.4	1.20	GFA49R19			4P	9.0	352	147	6.4	1.20	GFAF49R19			10	312	130	6.8	1.35	GF49R19							2.4	1377	270.68	27	2.10	GFA89	8P	10	312	130	6.8	1.35		GFF49R19		4P	2.6	1299	255.37	27		2.30	GFAF89		2.9	1164	228.93	27	2.50	GF89	3.3	1003	197.20	27	2.90	GFF89	4P	5.1	628	262		8.7	1.00	GFA59R39			4P	3.3		1021	270.68	27	2.80			GFA89		6P	5.9	542	226	9.3	1.15			GFA59R39	4P	3.5	963	255.37	28	3.00		GFAF89	3.9	863	228.93	28	3.30	GF89																																																																																		
7.7	294	110.01	11	2.00		6.7	341	199.70	10	1.65	GFA59	4P	1.6	1942	810	13	0.80	GFA89R59	4P		7.2	313	183.60	10	1.80	GFAF59			8.5	268	157.09	11	2.10	GF59			9.8	232	136.16	11	2.40	GFF59			10	217	127.27	11	2.60			12	188	110.01	11	3.00		5.7	400	150.06	5.5	1.00	GFA49	6P	1.9	1702	710	14	0.90		GFA79R39	4P	6.5	347	130.07	6.2			1.15	GFAF49	7.0	324	121.57	6.4			1.20	GF49	8.1	280	105.09	6.8			1.40	GFF49	7.0	325	190.76	6.2		1.15	GFA49	4P	2.2	1475	615		16	1.05	GFA79R39	4P	7.6	299			175.38	6.5	1.25	GFAF49	8.9	256			150.06	6.9	1.45	GF49	10.2	222			130.07	7.2	1.65	GFF49	10.9	207		121.57	7.3	1.80		12.7	179	105.09	7.4	2.10		14.9	152	89.29	7.6	2.40		10	219	128.51	3.5	0.85	GFA39	4P	2.5		1290	538	17	1.20	GFA69R39	4P			11	201	117.88	3.8	0.90	GFAF39			13	171	100.36	4.3	1.10	GF39			15	148	86.53	4.6	1.25	GFF39		16	138	80.65	4.7	1.35		19	120	70.50	4.8	1.55			20	113	66.09	4.9	1.65		23		99	58.32	4.9	1.85		24	93		54.54	5.0	2.00		26	88	51.70		5.0	2.10		28	80	47.02	5.1		2.30		30	75		43.95	5.1	2.50		35		65	38.31	5.1	2.80			37	61	35.91	5.1	3.00		42	54	31.69	5.2	3.40		0.37kW							3.5	921	384	9.4	0.95	GFA69R39		4P	0.20	16084	6708	81	0.80			GFA129R79	4P	3.9	810	338			10		1.05	GFA69R39	4P			0.22		14192	5919	84		0.85		GFAF129R79	0.26	12341	5147		86	1.00	GF129R79	0.29	10857	4528	86	1.15	GFF129R79	0.34	9404	3922		86	1.35		0.39	8272	3450		86	1.55		0.44	7260	3028	86	1.70								2.4	1377	270.68	27		2.10	GFA89	8P	5.2	611	255			8.9	1.00	GFA59R39	4P	2.6	1299		255.37	27	2.30	GFAF89	2.9	1164	228.93	27	2.50	GF89	3.3	1003	197.20	27		2.90	GFF89	4P	6.6	482	201			10	1.30		GFA59R39	4P	3.3		1021			270.68	27	2.80	GFA89	6P		7.3	434	181		10	1.45	GF59R39	4P	3.5		963	255.37	28	3.00	GFAF89	3.9	863	228.93	28	3.30	GF89							7.6	420	175		5.7	1.00	GFA49R19	4P	9.0	352		147		6.4	1.20	GFA49R19	4P	9.0	352	147		6.4	1.20	GFAF49R19	10	312	130	6.8	1.35	GF49R19							2.4	1377	270.68		27	2.10	GFA89	8P	10	312	130			6.8	1.35	GFF49R19	4P	2.6	1299	255.37		27	2.30	GFAF89	2.9	1164	228.93	27	2.50	GF89	3.3	1003	197.20		27	2.90	GFF89		4P	5.1	628				262		8.7	1.00	GFA59R39	4P			3.3	1021		270.68	27	2.80	GFA89	6P		5.9	542		226	9.3	1.15	GFA59R39	4P		3.5	963	255.37	28	3.00	GFAF89	3.9	863	228.93	28	3.30	GF89																																																																													
6.7	341	199.70	10	1.65	GFA59	4P	1.6	1942	810	13	0.80		GFA89R59	4P																																																																																																																																																																																																																																																																																																																																																																																																																																																																																																																																																																																																																																												
7.2	313	183.60	10	1.80	GFAF59		8.5	268	157.09	11	2.10		GF59		9.8	232	136.16	11			2.40	GFF59	10	217	127.27	11			2.60		12	188	110.01	11		3.00		5.7	400	150.06	5.5	1.00	GFA49	6P	1.9	1702	710	14	0.90	GFA79R39	4P	6.5	347	130.07	6.2	1.15	GFAF49	7.0	324	121.57	6.4	1.20	GF49		8.1	280	105.09	6.8	1.40		GFF49		7.0	325	190.76	6.2			1.15	GFA49	4P	2.2	1475	615		16	1.05	GFA79R39	4P	7.6	299	175.38	6.5	1.25	GFAF49	8.9	256	150.06	6.9	1.45	GF49	10.2	222		130.07	7.2	1.65		GFF49	10.9	207		121.57	7.3			1.80		12.7	179	105.09	7.4	2.10			14.9	152	89.29	7.6	2.40		10	219	128.51	3.5	0.85	GFA39	4P	2.5	1290	538	17	1.20	GFA69R39	4P	11	201	117.88	3.8	0.90	GFAF39	13	171	100.36	4.3	1.10	GF39	15	148	86.53	4.6		1.25		GFF39	16	138	80.65	4.7				1.35		19	120	70.50	4.8			1.55		20	113	66.09	4.9	1.65			23	99	58.32	4.9	1.85		24	93	54.54	5.0	2.00		26	88	51.70	5.0	2.10			28	80	47.02	5.1	2.30		30		75	43.95	5.1	2.50		35	65		38.31	5.1	2.80		37	61	35.91		5.1	3.00		42	54	31.69	5.2	3.40		0.37kW							3.5	921		384	9.4	0.95	GFA69R39	4P		0.20	16084	6708	81	0.80	GFA129R79	4P	3.9	810	338	10	1.05	GFA69R39	4P	0.22	14192	5919	84	0.85	GFAF129R79	0.26	12341	5147	86	1.00			GF129R79	0.29	10857	4528	86			1.15		GFF129R79	0.34	9404	3922		86		1.35			0.39		8272		3450	86	1.55			0.44	7260	3028	86	1.70								2.4	1377	270.68	27	2.10	GFA89	8P	5.2	611	255	8.9	1.00	GFA59R39	4P	2.6	1299	255.37	27	2.30	GFAF89	2.9	1164	228.93	27	2.50	GF89	3.3	1003	197.20	27	2.90	GFF89	4P	6.6	482	201		10	1.30	GFA59R39	4P	3.3	1021	270.68	27		2.80	GFA89	6P	7.3	434	181	10	1.45	GF59R39	4P	3.5	963	255.37	28	3.00	GFAF89	3.9		863	228.93		28	3.30	GF89									7.6	420	175	5.7	1.00	GFA49R19	4P	9.0		352	147	6.4	1.20	GFA49R19	4P	9.0	352		147	6.4	1.20	GFAF49R19	10	312	130	6.8	1.35	GF49R19							2.4	1377	270.68	27	2.10	GFA89	8P	10	312	130		6.8	1.35	GFF49R19	4P	2.6	1299	255.37	27		2.30	GFAF89	2.9	1164	228.93	27	2.50	GF89	3.3	1003	197.20	27	2.90	GFF89	4P	5.1	628	262	8.7	1.00	GFA59R39	4P	3.3	1021	270.68	27		2.80	GFA89	6P	5.9	542	226	9.3	1.15		GFA59R39	4P	3.5	963	255.37	28	3.00	GFAF89	3.9	863	228.93	28	3.30	GF89																																																																																																																																
8.5	268	157.09	11	2.10	GF59		9.8	232	136.16	11	2.40		GFF59		10	217	127.27	11			2.60		12	188	110.01	11		3.00		5.7	400	150.06	5.5	1.00	GFA49	6P	1.9	1702	710	14	0.90	GFA79R39	4P		6.5	347	130.07	6.2	1.15	GFAF49		7.0	324	121.57	6.4	1.20	GF49	8.1	280	105.09	6.8	1.40	GFF49		7.0	325	190.76	6.2	1.15		GFA49		4P	2.2	1475	615		16	1.05	GFA79R39		4P	7.6	299	175.38	6.5	1.25	GFAF49		8.9	256	150.06	6.9	1.45	GF49	10.2	222	130.07	7.2	1.65	GFF49	10.9	207		121.57	7.3	1.80			12.7	179		105.09	7.4	2.10			14.9	152	89.29	7.6	2.40		10	219	128.51	3.5	0.85	GFA39	4P	2.5	1290	538	17	1.20	GFA69R39	4P		11	201	117.88	3.8	0.90	GFAF39		13	171	100.36	4.3	1.10	GF39	15	148	86.53	4.6	1.25	GFF39	16	138	80.65	4.7		1.35			19	120	70.50	4.8				1.55		20	113	66.09	4.9	1.65			23	99	58.32	4.9	1.85			24	93	54.54	5.0	2.00		26	88	51.70	5.0	2.10		28	80	47.02	5.1	2.30		30		75	43.95	5.1	2.50		35	65		38.31	5.1	2.80		37	61	35.91		5.1	3.00		42	54	31.69	5.2		3.40		0.37kW							3.5	921	384	9.4	0.95	GFA69R39	4P	0.20	16084	6708	81	0.80	GFA129R79	4P			3.9	810	338	10	1.05	GFA69R39		4P	0.22	14192	5919	84	0.85		GFAF129R79	0.26	12341	5147	86	1.00	GF129R79	0.29	10857	4528	86			1.15	GFF129R79	0.34	9404	3922	86		1.35			0.39	8272	3450		86		1.55			0.44		7260	3028	86	1.70									2.4	1377	270.68	27	2.10	GFA89	8P	5.2	611	255	8.9	1.00	GFA59R39		4P	2.6	1299	255.37	27	2.30		GFAF89	2.9	1164	228.93	27	2.50	GF89	3.3	1003	197.20	27	2.90	GFF89	4P	6.6	482	201	10		1.30	GFA59R39	4P	3.3	1021	270.68	27		2.80	GFA89	6P	7.3	434	181	10		1.45	GF59R39	4P	3.5	963	255.37		28	3.00	GFAF89	3.9	863	228.93	28		3.30	GF89								7.6	420	175	5.7	1.00	GFA49R19	4P	9.0	352	147	6.4		1.20	GFA49R19	4P	9.0	352	147	6.4		1.20	GFAF49R19	10	312	130	6.8	1.35	GF49R19							2.4	1377	270.68	27	2.10	GFA89	8P	10	312	130	6.8		1.35	GFF49R19	4P	2.6	1299	255.37	27		2.30	GFAF89	2.9	1164	228.93	27	2.50	GF89	3.3	1003	197.20	27	2.90	GFF89	4P	5.1	628	262	8.7		1.00	GFA59R39	4P	3.3	1021	270.68		27	2.80	GFA89	6P	5.9	542	226		9.3	1.15	GFA59R39	4P	3.5	963	255.37		28	3.00	GFAF89	3.9	863	228.93	28	3.30	GF89																																																																																																																																			
9.8	232	136.16	11	2.40	GFF59		10	217	127.27	11	2.60				12	188	110.01	11		3.00		5.7	400	150.06	5.5	1.00	GFA49	6P	1.9	1702	710	14	0.90	GFA79R39	4P		6.5	347	130.07	6.2	1.15	GFAF49			7.0	324	121.57	6.4	1.20	GF49		8.1	280	105.09	6.8	1.40	GFF49	7.0	325	190.76	6.2	1.15	GFA49		4P	2.2	1475	615	16	1.05	GFA79R39			4P	7.6	299	175.38	6.5	1.25	GFAF49			8.9	256	150.06	6.9	1.45	GF49		10.2	222	130.07	7.2	1.65	GFF49	10.9	207	121.57	7.3	1.80		12.7	179		105.09	7.4	2.10		14.9	152	89.29		7.6	2.40		10	219	128.51	3.5	0.85	GFA39	4P	2.5	1290	538	17	1.20	GFA69R39	4P		11	201	117.88	3.8	0.90	GFAF39			13	171	100.36	4.3	1.10	GF39		15	148	86.53	4.6	1.25	GFF39	16	138	80.65	4.7	1.35		19	120	70.50	4.8		1.55			20	113	66.09	4.9		1.65			23	99	58.32	4.9	1.85			24	93	54.54	5.0	2.00		26		88	51.70	5.0	2.10		28	80	47.02	5.1	2.30		30	75	43.95	5.1	2.50		35	65		38.31	5.1	2.80		37	61	35.91		5.1	3.00		42	54	31.69	5.2		3.40		0.37kW							3.5	921	384	9.4	0.95	GFA69R39	4P	0.20	16084	6708	81	0.80	GFA129R79	4P		3.9	810	338	10	1.05	GFA69R39			4P	0.22	14192	5919	84	0.85	GFAF129R79			0.26	12341	5147	86	1.00		GF129R79	0.29	10857	4528	86	1.15	GFF129R79	0.34	9404	3922	86	1.35			0.39	8272	3450	86	1.55				0.44	7260	3028	86		1.70										2.4	1377	270.68	27	2.10	GFA89	8P	5.2	611	255	8.9	1.00	GFA59R39	4P	2.6		1299	255.37	27	2.30	GFAF89	2.9			1164	228.93	27	2.50	GF89		3.3	1003	197.20	27	2.90	GFF89	4P	6.6	482	201	10	1.30	GFA59R39		4P	3.3	1021	270.68		27	2.80		GFA89	6P	7.3	434		181	10		1.45	GF59R39	4P	3.5		963	255.37		28	3.00	GFAF89		3.9	863	228.93	28	3.30	GF89								7.6	420	175	5.7	1.00	GFA49R19	4P	9.0	352	147		6.4	1.20	GFA49R19	4P		9.0	352		147	6.4	1.20	GFAF49R19		10	312	130	6.8	1.35	GF49R19							2.4	1377	270.68	27	2.10	GFA89	8P	10		312	130	6.8	1.35		GFF49R19	4P		2.6	1299	255.37	27		2.30	GFAF89	2.9	1164	228.93	27	2.50	GF89	3.3	1003	197.20	27	2.90	GFF89		4P	5.1	628	262		8.7	1.00		GFA59R39	4P	3.3		1021	270.68	27		2.80	GFA89	6P		5.9	542	226		9.3	1.15	GFA59R39		4P	3.5	963	255.37	28	3.00	GFAF89	3.9	863	228.93	28	3.30	GF89																																																																																																																															
10	217	127.27	11	2.60			12	188	110.01	11	3.00		5.7		400	150.06	5.5	1.00	GFA49	6P	1.9	1702	710	14	0.90	GFA79R39	4P		6.5	347	130.07	6.2	1.15	GFAF49			7.0	324	121.57	6.4	1.20	GF49			8.1	280	105.09	6.8	1.40	GFF49		7.0	325	190.76	6.2	1.15	GFA49	4P	2.2	1475	615	16	1.05	GFA79R39		4P	7.6	299	175.38	6.5	1.25	GFAF49			8.9	256	150.06	6.9	1.45	GF49			10.2	222	130.07	7.2	1.65	GFF49		10.9	207	121.57	7.3	1.80		12.7	179	105.09	7.4	2.10		14.9	152	89.29	7.6	2.40		10	219	128.51	3.5	0.85	GFA39	4P	2.5	1290	538	17	1.20	GFA69R39	4P		11	201	117.88	3.8	0.90	GFAF39			13	171	100.36	4.3	1.10	GF39			15	148	86.53	4.6	1.25	GFF39		16	138	80.65	4.7	1.35		19	120	70.50	4.8	1.55		20	113	66.09	4.9		1.65			23	99	58.32	4.9	1.85			24	93	54.54	5.0	2.00		26		88	51.70	5.0	2.10		28	80		47.02	5.1	2.30		30	75	43.95	5.1	2.50		35	65	38.31	5.1	2.80		37	61	35.91		5.1	3.00		42	54	31.69	5.2		3.40		0.37kW							3.5	921	384	9.4	0.95	GFA69R39		4P	0.20	16084	6708	81	0.80	GFA129R79		4P	3.9	810	338	10	1.05			GFA69R39	4P	0.22	14192	5919	84				0.85	GFAF129R79	0.26	12341	5147	86			1.00	GF129R79	0.29	10857	4528		86	1.15	GFF129R79	0.34	9404	3922	86	1.35		0.39	8272	3450	86	1.55		0.44	7260	3028	86		1.70										2.4	1377	270.68	27	2.10	GFA89	8P	5.2	611	255	8.9	1.00	GFA59R39		4P	2.6	1299	255.37	27	2.30		GFAF89		2.9	1164	228.93	27	2.50	GF89	3.3		1003	197.20	27	2.90	GFF89	4P	6.6	482	201	10	1.30	GFA59R39		4P	3.3	1021	270.68	27	2.80			GFA89	6P	7.3		434	181		10		1.45	GF59R39	4P	3.5	963		255.37	28		3.00	GFAF89	3.9	863		228.93	28	3.30	GF89							7.6	420	175	5.7	1.00	GFA49R19	4P	9.0	352	147	6.4	1.20	GFA49R19		4P	9.0	352		147	6.4	1.20		GFAF49R19	10	312		130	6.8	1.35	GF49R19							2.4	1377	270.68	27	2.10	GFA89	8P	10	312	130	6.8	1.35	GFF49R19		4P		2.6	1299	255.37	27	2.30	GFAF89			2.9	1164	228.93	27	2.50	GF89	3.3	1003	197.20	27	2.90	GFF89	4P	5.1	628	262	8.7	1.00	GFA59R39			4P	3.3	1021		270.68	27		2.80		GFA89		6P	5.9	542		226	9.3		1.15	GFA59R39	4P	3.5		963	255.37	28	3.00		GFAF89	3.9	863	228.93	28	3.30	GF89																																																																																																																																				
12	188	110.01	11	3.00		5.7	400	150.06	5.5	1.00	GFA49	6P	1.9	1702	710	14	0.90	GFA79R39	4P		6.5	347	130.07	6.2	1.15	GFAF49			7.0	324	121.57	6.4	1.20	GF49			8.1	280	105.09	6.8	1.40	GFF49			7.0	325	190.76	6.2	1.15	GFA49		4P	2.2	1475	615	16	1.05		GFA79R39	4P	7.6	299	175.38	6.5			1.25	GFAF49	8.9	256	150.06	6.9			1.45	GF49	10.2	222	130.07	7.2			1.65	GFF49	10.9	207	121.57	7.3		1.80		12.7	179	105.09	7.4	2.10		14.9	152	89.29	7.6	2.40		10	219	128.51	3.5	0.85	GFA39	4P	2.5	1290	538		17	1.20	GFA69R39	4P	11	201			117.88	3.8	0.90	GFAF39	13	171			100.36	4.3	1.10	GF39	15	148			86.53	4.6	1.25	GFF39	16	138		80.65	4.7	1.35		19	120	70.50	4.8	1.55		20	113	66.09	4.9	1.65			23		99	58.32	4.9	1.85		24	93		54.54	5.0	2.00		26	88	51.70		5.0	2.10		28	80	47.02	5.1		2.30		30	75	43.95	5.1	2.50		35	65	38.31	5.1	2.80		37	61	35.91	5.1	3.00			42	54	31.69	5.2	3.40			0.37kW								3.5	921	384	9.4	0.95	GFA69R39	4P	0.20		16084	6708	81	0.80	GFA129R79	4P			3.9	810	338	10	1.05			GFA69R39		4P	0.22	14192	5919				84	0.85	GFAF129R79	0.26	12341	5147			86	1.00	GF129R79	0.29	10857		4528	86	1.15	GFF129R79	0.34	9404	3922	86	1.35		0.39	8272	3450	86	1.55		0.44	7260	3028		86		1.70								2.4	1377	270.68	27	2.10	GFA89		8P	5.2	611	255	8.9	1.00			GFA59R39	4P	2.6	1299	255.37		27	2.30	GFAF89	2.9	1164	228.93	27	2.50	GF89	3.3	1003	197.20	27	2.90	GFF89		4P	6.6	482	201	10	1.30			GFA59R39	4P	3.3	1021	270.68			27		2.80		GFA89	6P	7.3	434		181	10		1.45	GF59R39	4P	3.5	963		255.37	28	3.00	GFAF89	3.9	863	228.93	28	3.30	GF89							7.6	420	175	5.7	1.00		GFA49R19	4P	9.0	352	147	6.4			1.20	GFA49R19	4P	9.0	352	147		6.4	1.20	GFAF49R19	10	312	130	6.8	1.35	GF49R19							2.4	1377	270.68	27	2.10		GFA89	8P	10	312	130	6.8			1.35	GFF49R19	4P	2.6	1299	255.37	27		2.30	GFAF89	2.9	1164	228.93	27	2.50	GF89	3.3	1003	197.20	27	2.90		GFF89	4P	5.1	628	262	8.7				1.00	GFA59R39		4P	3.3		1021		270.68			27	2.80	GFA89	6P	5.9		542	226		9.3	1.15	GFA59R39	4P	3.5	963		255.37	28	3.00	GFAF89	3.9	863	228.93	28	3.30	GF89																																																																																																																																	
5.7	400	150.06	5.5	1.00	GFA49	6P	1.9	1702	710	14	0.90		GFA79R39	4P																																																																																																																																																																																																																																																																																																																																																																																																																																																																																																																																																																																																																																												
6.5	347	130.07	6.2	1.15	GFAF49		7.0	324	121.57	6.4	1.20		GF49		8.1	280	105.09	6.8			1.40	GFF49	7.0	325	190.76	6.2			1.15	GFA49	4P	2.2	1475	615		16	1.05	GFA79R39	4P	7.6	299	175.38	6.5	1.25	GFAF49	8.9	256	150.06	6.9	1.45	GF49		10.2	222	130.07	7.2	1.65		GFF49		10.9	207	121.57	7.3			1.80		12.7	179	105.09	7.4	2.10			14.9	152	89.29	7.6	2.40		10	219	128.51	3.5	0.85	GFA39	4P	2.5	1290	538	17	1.20	GFA69R39	4P	11	201	117.88	3.8	0.90	GFAF39	13	171	100.36	4.3	1.10	GF39	15	148		86.53	4.6	1.25		GFF39	16	138		80.65	4.7			1.35		19	120	70.50	4.8			1.55		20	113	66.09	4.9	1.65			23	99	58.32	4.9	1.85		24	93	54.54	5.0	2.00		26	88	51.70	5.0	2.10		28	80	47.02	5.1		2.30			30	75	43.95	5.1	2.50			35	65	38.31	5.1	2.80		37		61	35.91	5.1	3.00		42	54		31.69	5.2	3.40		0.37kW							3.5	921	384	9.4	0.95	GFA69R39	4P	0.20		16084	6708	81	0.80	GFA129R79	4P	3.9	810	338	10	1.05	GFA69R39	4P	0.22	14192	5919	84	0.85	GFAF129R79	0.26	12341	5147		86		1.00	GF129R79	0.29	10857	4528				86	1.15	GFF129R79	0.34	9404		3922	86			1.35		0.39		8272		3450	86	1.55		0.44	7260		3028	86	1.70								2.4	1377	270.68	27	2.10	GFA89	8P	5.2	611	255	8.9	1.00	GFA59R39	4P	2.6	1299	255.37	27	2.30	GFAF89	2.9	1164	228.93	27	2.50	GF89	3.3	1003	197.20	27	2.90	GFF89	4P	6.6		482	201	10	1.30	GFA59R39	4P	3.3	1021		270.68	27	2.80	GFA89	6P	7.3	434	181	10	1.45	GF59R39	4P	3.5	963	255.37	28	3.00	GFAF89	3.9			863	228.93	28	3.30	GF89									7.6	420	175	5.7	1.00	GFA49R19		4P	9.0	352	147	6.4	1.20	GFA49R19	4P		9.0	352	147	6.4	1.20	GFAF49R19	10	312	130	6.8	1.35	GF49R19							2.4	1377	270.68	27	2.10	GFA89	8P	10		312	130	6.8	1.35	GFF49R19	4P	2.6	1299		255.37	27	2.30	GFAF89	2.9	1164	228.93	27	2.50	GF89	3.3	1003	197.20	27	2.90	GFF89	4P	5.1	628	262	8.7	1.00	GFA59R39	4P	3.3	1021		270.68	27	2.80	GFA89	6P	5.9	542	226		9.3	1.15	GFA59R39	4P	3.5	963	255.37	28	3.00	GFAF89	3.9	863	228.93	28	3.30	GF89																																																																																																																																																																																		
7.0	324	121.57	6.4	1.20	GF49		8.1	280	105.09	6.8	1.40		GFF49		7.0	325	190.76	6.2			1.15	GFA49	4P	2.2	1475	615		16	1.05	GFA79R39		4P	7.6	299	175.38	6.5	1.25	GFAF49		8.9	256	150.06	6.9	1.45	GF49	10.2	222	130.07	7.2	1.65	GFF49		10.9	207	121.57	7.3	1.80				12.7	179	105.09	7.4	2.10			14.9	152	89.29	7.6	2.40		10	219	128.51	3.5	0.85	GFA39	4P	2.5	1290	538	17	1.20	GFA69R39	4P		11	201	117.88	3.8	0.90	GFAF39		13	171	100.36	4.3	1.10	GF39	15	148	86.53	4.6	1.25	GFF39	16	138		80.65	4.7	1.35			19	120		70.50	4.8			1.55		20	113	66.09	4.9	1.65			23	99	58.32	4.9	1.85			24	93	54.54	5.0	2.00		26	88	51.70	5.0	2.10		28	80	47.02	5.1	2.30		30	75	43.95	5.1	2.50				35	65	38.31	5.1	2.80		37		61	35.91	5.1	3.00		42	54		31.69	5.2	3.40		0.37kW							3.5	921	384	9.4	0.95	GFA69R39	4P	0.20	16084	6708	81	0.80	GFA129R79	4P		3.9	810	338	10	1.05	GFA69R39	4P		0.22	14192	5919	84	0.85	GFAF129R79		0.26	12341	5147	86	1.00	GF129R79	0.29	10857	4528		86		1.15	GFF129R79	0.34	9404	3922		86		1.35		0.39	8272	3450		86	1.55				0.44	7260		3028	86	1.70									2.4	1377	270.68	27	2.10	GFA89	8P	5.2	611	255	8.9	1.00	GFA59R39	4P		2.6	1299	255.37	27	2.30	GFAF89		2.9	1164	228.93	27	2.50	GF89	3.3	1003	197.20	27	2.90	GFF89	4P	6.6	482	201	10	1.30		GFA59R39	4P	3.3	1021	270.68	27	2.80		GFA89	6P	7.3	434	181	10	1.45		GF59R39	4P	3.5	963	255.37	28		3.00	GFAF89	3.9	863	228.93	28	3.30			GF89							7.6	420	175	5.7	1.00	GFA49R19	4P	9.0	352	147	6.4	1.20	GFA49R19		4P	9.0	352	147	6.4	1.20		GFAF49R19	10	312	130	6.8	1.35	GF49R19							2.4	1377	270.68	27	2.10	GFA89	8P	10	312	130	6.8	1.35		GFF49R19	4P	2.6	1299	255.37	27	2.30		GFAF89	2.9	1164	228.93	27	2.50	GF89	3.3	1003	197.20	27	2.90	GFF89	4P	5.1	628	262	8.7	1.00		GFA59R39	4P	3.3	1021	270.68	27		2.80	GFA89	6P	5.9	542	226	9.3		1.15	GFA59R39	4P	3.5	963	255.37	28		3.00	GFAF89	3.9	863	228.93	28	3.30	GF89																																																																																																																																																																																						
8.1	280	105.09	6.8	1.40	GFF49		7.0	325	190.76	6.2	1.15		GFA49		4P	2.2	1475	615		16	1.05	GFA79R39		4P	7.6	299	175.38	6.5	1.25	GFAF49			8.9	256	150.06	6.9	1.45	GF49		10.2	222	130.07	7.2	1.65	GFF49	10.9	207	121.57	7.3	1.80			12.7	179	105.09	7.4	2.10		14.9		152	89.29	7.6	2.40		10	219	128.51	3.5	0.85	GFA39	4P	2.5	1290	538	17	1.20	GFA69R39	4P		11	201	117.88	3.8	0.90	GFAF39			13	171	100.36	4.3	1.10	GF39		15	148	86.53	4.6	1.25	GFF39	16	138	80.65	4.7	1.35		19	120		70.50	4.8	1.55			20	113		66.09	4.9	1.65			23	99	58.32	4.9	1.85			24	93	54.54	5.0	2.00		26		88	51.70	5.0	2.10		28	80	47.02	5.1	2.30		30	75	43.95	5.1	2.50		35	65	38.31	5.1	2.80			37		61	35.91	5.1	3.00		42	54		31.69	5.2	3.40		0.37kW							3.5	921	384	9.4		0.95	GFA69R39	4P	0.20	16084	6708	81	0.80	GFA129R79		4P	3.9	810	338	10	1.05			GFA69R39	4P	0.22	14192	5919	84			0.85	GFAF129R79	0.26	12341	5147	86		1.00	GF129R79	0.29	10857	4528	86	1.15	GFF129R79	0.34		9404	3922	86	1.35		0.39	8272		3450		86	1.55		0.44	7260		3028	86	1.70										2.4	1377	270.68	27	2.10	GFA89	8P	5.2	611	255	8.9	1.00	GFA59R39		4P	2.6	1299	255.37	27	2.30			GFAF89	2.9	1164	228.93	27	2.50		GF89	3.3	1003	197.20	27	2.90	GFF89	4P	6.6	482	201	10		1.30	GFA59R39	4P	3.3	1021		270.68		27	2.80	GFA89	6P	7.3		434		181	10	1.45	GF59R39	4P		3.5		963	255.37	28	3.00		GFAF89	3.9	863	228.93	28	3.30	GF89								7.6	420	175	5.7	1.00	GFA49R19	4P	9.0		352	147	6.4	1.20	GFA49R19	4P			9.0	352	147	6.4	1.20		GFAF49R19	10	312	130	6.8	1.35	GF49R19							2.4	1377	270.68	27	2.10	GFA89		8P	10	312	130	6.8		1.35		GFF49R19	4P	2.6	1299	255.37		27	2.30	GFAF89	2.9	1164	228.93	27	2.50	GF89	3.3	1003	197.20	27		2.90	GFF89	4P	5.1	628		262		8.7	1.00	GFA59R39	4P		3.3	1021		270.68	27	2.80	GFA89		6P	5.9		542	226	9.3	1.15		GFA59R39	4P	3.5	963	255.37	28	3.00	GFAF89	3.9	863	228.93	28	3.30	GF89																																																																																																																																																																																
7.0	325	190.76	6.2	1.15	GFA49		4P	2.2	1475	615	16	1.05	GFA79R39			4P																																																																																																																																																																																																																																																																																																																																																																																																																																																																																																																																																																																																																																										
7.6	299	175.38	6.5	1.25	GFAF49	8.9		256	150.06	6.9	1.45	GF49	10.2	222			130.07	7.2	1.65	GFF49	10.9	207			121.57	7.3	1.80		12.7	179			105.09	7.4	2.10		14.9	152		89.29	7.6	2.40		10	219	128.51	3.5	0.85	GFA39	4P	2.5	1290	538	17	1.20	GFA69R39	4P	11	201	117.88	3.8	0.90	GFAF39	13	171	100.36	4.3	1.10	GF39	15	148		86.53	4.6	1.25	GFF39	16	138			80.65	4.7	1.35		19	120			70.50	4.8	1.55		20	113		66.09	4.9	1.65		23	99	58.32	4.9	1.85		24	93	54.54	5.0		2.00		26		88	51.70	5.0	2.10		28	80		47.02	5.1	2.30		30	75	43.95		5.1	2.50		35	65	38.31	5.1		2.80		37	61	35.91	5.1	3.00		42	54	31.69	5.2	3.40		0.37kW							3.5	921		384		9.4	0.95	GFA69R39	4P	0.20	16084	6708		81	0.80	GFA129R79	4P	3.9	810	338	10	1.05	GFA69R39	4P	0.22	14192	5919	84	0.85	GFAF129R79	0.26		12341	5147	86	1.00	GF129R79	0.29			10857	4528	86	1.15	GFF129R79			0.34		9404	3922	86	1.35				0.39	8272	3450	86	1.55			0.44	7260	3028	86	1.70								2.4	1377	270.68	27		2.10		GFA89	8P	5.2	611	255	8.9	1.00	GFA59R39	4P	2.6	1299	255.37	27	2.30	GFAF89	2.9	1164	228.93	27	2.50	GF89	3.3	1003	197.20		27	2.90	GFF89	4P	6.6	482	201		10	1.30	GFA59R39	4P	3.3	1021	270.68	27	2.80	GFA89	6P	7.3	434	181	10	1.45	GF59R39	4P	3.5	963	255.37		28	3.00	GFAF89	3.9		863	228.93		28	3.30		GF89								7.6	420	175	5.7	1.00	GFA49R19		4P	9.0	352	147	6.4	1.20	GFA49R19	4P	9.0	352	147	6.4	1.20	GFAF49R19	10	312	130	6.8	1.35	GF49R19							2.4	1377		270.68	27	2.10	GFA89	8P	10	312		130	6.8	1.35	GFF49R19	4P	2.6	1299	255.37	27	2.30	GFAF89	2.9	1164	228.93	27	2.50	GF89	3.3	1003	197.20	27	2.90	GFF89	4P	5.1	628	262	8.7		1.00	GFA59R39	4P	3.3	1021	270.68	27	2.80		GFA89	6P	5.9	542	226	9.3	1.15	GFA59R39	4P	3.5	963	255.37	28	3.00	GFAF89	3.9	863		228.93	28		3.30	GF89																																																																																																																																																																																																																						
8.9	256	150.06	6.9	1.45	GF49	10.2		222	130.07	7.2	1.65	GFF49	10.9	207			121.57	7.3	1.80		12.7	179			105.09	7.4	2.10		14.9	152	89.29		7.6	2.40		10	219	128.51	3.5	0.85	GFA39	4P	2.5	1290	538	17	1.20	GFA69R39	4P		11	201	117.88	3.8	0.90	GFAF39		13	171	100.36	4.3	1.10	GF39	15	148	86.53	4.6	1.25	GFF39	16	138		80.65	4.7	1.35		19	120			70.50	4.8	1.55		20	113			66.09	4.9	1.65		23	99	58.32	4.9	1.85		24	93	54.54	5.0	2.00		26	88	51.70	5.0	2.10			28	80		47.02	5.1	2.30		30	75	43.95		5.1	2.50		35	65	38.31	5.1		2.80		37	61	35.91	5.1	3.00			42	54	31.69	5.2	3.40		0.37kW							3.5	921	384	9.4	0.95	GFA69R39	4P	0.20	16084		6708		81	0.80	GFA129R79		4P	3.9	810	338	10	1.05	GFA69R39		4P	0.22	14192	5919	84	0.85		GFAF129R79	0.26	12341	5147	86	1.00	GF129R79		0.29	10857	4528	86	1.15	GFF129R79			0.34	9404	3922	86	1.35			0.39		8272	3450	86	1.55				0.44	7260	3028	86	1.70								2.4	1377	270.68	27	2.10	GFA89	8P	5.2	611	255	8.9		1.00	GFA59R39	4P		2.6	1299	255.37	27	2.30	GFAF89		2.9	1164	228.93	27	2.50	GF89	3.3	1003	197.20	27	2.90	GFF89	4P	6.6	482	201	10	1.30	GFA59R39		4P	3.3	1021	270.68	27	2.80	GFA89		6P	7.3	434	181	10	1.45		GF59R39	4P	3.5	963	255.37	28		3.00	GFAF89	3.9		863	228.93	28	3.30		GF89							7.6	420	175	5.7	1.00	GFA49R19	4P	9.0	352	147	6.4	1.20	GFA49R19	4P		9.0	352	147	6.4	1.20	GFAF49R19		10	312	130	6.8	1.35	GF49R19							2.4	1377	270.68	27	2.10	GFA89	8P	10	312	130	6.8	1.35	GFF49R19		4P	2.6	1299	255.37	27	2.30	GFAF89		2.9	1164	228.93	27	2.50	GF89	3.3	1003	197.20	27	2.90	GFF89	4P	5.1	628	262	8.7	1.00		GFA59R39	4P	3.3	1021	270.68	27	2.80		GFA89	6P	5.9	542	226	9.3	1.15		GFA59R39	4P	3.5	963	255.37	28		3.00	GFAF89	3.9	863	228.93	28	3.30	GF89																																																																																																																																																																																																																												
10.2	222	130.07	7.2	1.65	GFF49	10.9		207	121.57	7.3	1.80		12.7	179			105.09	7.4	2.10		14.9	152	89.29		7.6	2.40		10	219	128.51	3.5	0.85	GFA39	4P	2.5	1290	538	17	1.20	GFA69R39	4P		11	201	117.88	3.8	0.90	GFAF39			13	171	100.36	4.3	1.10	GF39		15	148	86.53	4.6	1.25	GFF39	16	138	80.65	4.7	1.35		19	120		70.50	4.8	1.55		20	113			66.09	4.9	1.65		23	99	58.32		4.9	1.85		24	93	54.54	5.0	2.00		26	88	51.70	5.0	2.10		28	80	47.02	5.1	2.30			30	75	43.95		5.1	2.50		35	65	38.31	5.1		2.80		37	61	35.91	5.1	3.00			42	54	31.69	5.2	3.40			0.37kW							3.5	921	384	9.4	0.95	GFA69R39	4P	0.20	16084	6708	81	0.80	GFA129R79		4P	3.9		810	338	10	1.05	GFA69R39			4P	0.22	14192	5919	84	0.85			GFAF129R79	0.26	12341	5147	86		1.00	GF129R79	0.29	10857	4528	86	1.15		GFF129R79	0.34	9404	3922	86	1.35			0.39	8272	3450	86	1.55			0.44		7260	3028	86	1.70									2.4	1377	270.68	27	2.10	GFA89	8P	5.2	611	255	8.9	1.00	GFA59R39		4P	2.6	1299	255.37	27	2.30	GFAF89			2.9	1164	228.93	27	2.50	GF89		3.3	1003	197.20	27	2.90	GFF89	4P	6.6	482	201	10	1.30		GFA59R39	4P	3.3	1021	270.68	27			2.80	GFA89	6P	7.3	434	181			10	1.45	GF59R39	4P	3.5		963		255.37	28	3.00	GFAF89		3.9	863	228.93		28	3.30	GF89							7.6	420	175	5.7	1.00	GFA49R19	4P	9.0	352		147	6.4	1.20	GFA49R19	4P	9.0			352	147	6.4	1.20	GFAF49R19	10		312	130	6.8	1.35	GF49R19							2.4	1377	270.68	27	2.10	GFA89	8P		10	312	130	6.8	1.35	GFF49R19			4P	2.6	1299	255.37	27	2.30		GFAF89	2.9	1164	228.93	27	2.50	GF89	3.3	1003	197.20	27	2.90		GFF89	4P	5.1	628	262		8.7		1.00	GFA59R39	4P	3.3	1021		270.68		27	2.80	GFA89	6P	5.9		542		226	9.3	1.15	GFA59R39		4P	3.5	963	255.37	28	3.00	GFAF89	3.9	863	228.93	28		3.30	GF89																																																																																																																																																																																																																						
10.9	207	121.57	7.3	1.80		12.7		179	105.09	7.4	2.10		14.9	152	89.29		7.6	2.40		10	219	128.51	3.5	0.85	GFA39	4P	2.5	1290	538	17	1.20	GFA69R39	4P		11	201	117.88	3.8	0.90	GFAF39			13	171	100.36	4.3	1.10	GF39			15	148	86.53	4.6	1.25	GFF39		16	138	80.65	4.7	1.35		19	120	70.50	4.8	1.55		20	113		66.09	4.9	1.65		23	99	58.32		4.9	1.85		24	93	54.54	5.0		2.00		26	88	51.70	5.0	2.10		28	80	47.02	5.1	2.30		30	75	43.95	5.1	2.50		35		65	38.31	5.1		2.80		37	61	35.91	5.1	3.00			42	54	31.69	5.2	3.40			0.37kW								3.5	921	384	9.4	0.95	GFA69R39	4P	0.20	16084	6708	81	0.80	GFA129R79		4P	3.9	810	338	10	1.05			GFA69R39	4P	0.22	14192	5919	84	0.85				GFAF129R79	0.26	12341	5147	86			1.00	GF129R79	0.29	10857	4528		86	1.15	GFF129R79	0.34	9404	3922	86	1.35		0.39	8272	3450	86	1.55			0.44	7260	3028	86	1.70									2.4		1377	270.68	27	2.10	GFA89	8P	5.2	611	255	8.9	1.00	GFA59R39		4P	2.6	1299	255.37	27	2.30			GFAF89	2.9	1164	228.93	27	2.50		GF89	3.3	1003	197.20	27	2.90	GFF89	4P	6.6	482	201	10	1.30	GFA59R39		4P	3.3	1021	270.68	27		2.80		GFA89	6P	7.3	434			181	10		1.45	GF59R39	4P	3.5		963	255.37	28		3.00	GFAF89	3.9		863	228.93	28	3.30	GF89							7.6	420	175	5.7	1.00	GFA49R19	4P	9.0	352	147	6.4	1.20	GFA49R19		4P	9.0		352	147	6.4	1.20		GFAF49R19		10	312	130	6.8	1.35	GF49R19							2.4	1377	270.68	27	2.10	GFA89	8P	10	312	130	6.8	1.35	GFF49R19			4P	2.6	1299	255.37	27	2.30	GFAF89			2.9	1164	228.93	27	2.50	GF89	3.3	1003	197.20	27	2.90	GFF89	4P	5.1	628	262	8.7	1.00		GFA59R39		4P	3.3	1021		270.68		27	2.80		GFA89	6P		5.9		542	226	9.3		1.15	GFA59R39	4P		3.5	963	255.37	28	3.00		GFAF89	3.9	863	228.93	28	3.30	GF89																																																																																																																																																																																																																												
12.7	179	105.09	7.4	2.10		14.9	152	89.29	7.6	2.40		10	219	128.51	3.5	0.85	GFA39	4P	2.5	1290	538	17	1.20	GFA69R39	4P		11	201	117.88	3.8	0.90	GFAF39			13	171	100.36	4.3	1.10	GF39			15	148	86.53	4.6	1.25	GFF39			16	138	80.65	4.7	1.35			19	120	70.50	4.8	1.55		20	113	66.09	4.9	1.65		23	99		58.32	4.9	1.85		24	93	54.54		5.0	2.00		26	88	51.70	5.0		2.10		28	80	47.02	5.1	2.30		30	75	43.95	5.1	2.50		35	65	38.31	5.1	2.80		37		61	35.91	5.1		3.00		42	54	31.69	5.2	3.40			0.37kW							3.5	921	384	9.4	0.95	GFA69R39	4P		0.20	16084	6708	81	0.80	GFA129R79		4P	3.9	810	338	10	1.05			GFA69R39	4P	0.22	14192	5919			84		0.85	GFAF129R79	0.26	12341	5147				86	1.00	GF129R79	0.29	10857			4528	86	1.15	GFF129R79	0.34		9404	3922	86	1.35		0.39	8272	3450	86	1.55		0.44	7260	3028	86		1.70									2.4	1377	270.68	27	2.10	GFA89	8P	5.2	611	255	8.9		1.00	GFA59R39	4P	2.6	1299	255.37			27	2.30	GFAF89	2.9	1164	228.93		27	2.50	GF89	3.3	1003	197.20	27	2.90	GFF89	4P	6.6	482	201	10		1.30	GFA59R39	4P	3.3	1021	270.68			27	2.80	GFA89	6P		7.3		434		181	10		1.45	GF59R39	4P		3.5	963		255.37	28	3.00	GFAF89	3.9		863	228.93	28	3.30	GF89							7.6	420	175	5.7	1.00	GFA49R19	4P	9.0	352	147		6.4	1.20	GFA49R19	4P	9.0	352			147	6.4	1.20	GFAF49R19	10	312		130	6.8	1.35	GF49R19							2.4	1377	270.68	27	2.10	GFA89	8P	10	312	130		6.8	1.35	GFF49R19	4P	2.6	1299		255.37		27	2.30	GFAF89	2.9	1164	228.93	27		2.50	GF89	3.3	1003	197.20	27	2.90	GFF89	4P	5.1	628	262		8.7	1.00	GFA59R39	4P	3.3		1021			270.68	27		2.80		GFA89	6P		5.9			542	226	9.3	1.15	GFA59R39		4P	3.5		963	255.37	28	3.00	GFAF89	3.9		863	228.93	28	3.30	GF89																																																																																																																																																																																																																														
14.9	152	89.29	7.6	2.40		10	219	128.51	3.5	0.85	GFA39	4P	2.5	1290	538	17	1.20		GFA69R39	4P	11	201	117.88	3.8			0.90	GFAF39	13	171	100.36	4.3			1.10	GF39	15	148	86.53	4.6			1.25	GFF39	16	138	80.65	4.7			1.35		19	120	70.50	4.8	1.55		20	113	66.09	4.9	1.65		23	99	58.32	4.9	1.85		24		93	54.54	5.0	2.00		26	88		51.70	5.0	2.10		28	80	47.02		5.1	2.30		30	75	43.95	5.1	2.50		35	65	38.31	5.1	2.80		37	61	35.91	5.1	3.00			42	54	31.69		5.2	3.40		0.37kW							3.5	921	384	9.4	0.95		GFA69R39	4P	0.20	16084	6708	81		0.80	GFA129R79	4P	3.9	810	338	10			1.05	GFA69R39	4P	0.22	14192			5919		84	0.85	GFAF129R79			0.26		12341	5147	86	1.00	GF129R79	0.29			10857	4528	86	1.15	GFF129R79			0.34	9404	3922	86	1.35		0.39	8272	3450	86	1.55		0.44	7260	3028	86	1.70									2.4	1377	270.68	27	2.10	GFA89	8P	5.2	611	255	8.9	1.00		GFA59R39	4P	2.6	1299		255.37	27		2.30	GFAF89	2.9	1164		228.93	27	2.50	GF89	3.3	1003	197.20	27	2.90	GFF89	4P	6.6	482	201	10	1.30		GFA59R39	4P	3.3	1021		270.68	27		2.80	GFA89	6P			7.3	434	181			10	1.45	GF59R39		4P	3.5	963	255.37	28		3.00	GFAF89	3.9		863	228.93	28	3.30	GF89							7.6	420	175	5.7	1.00	GFA49R19	4P	9.0	352	147	6.4	1.20		GFA49R19	4P	9.0		352	147	6.4		1.20	GFAF49R19	10		312	130	6.8	1.35	GF49R19							2.4	1377	270.68	27	2.10	GFA89	8P	10	312	130	6.8	1.35		GFF49R19	4P	2.6		1299	255.37	27		2.30	GFAF89	2.9	1164		228.93	27	2.50	GF89	3.3	1003	197.20	27	2.90	GFF89	4P	5.1	628	262	8.7	1.00		GFA59R39	4P	3.3		1021	270.68	27		2.80		GFA89			6P	5.9	542	226		9.3			1.15		GFA59R39	4P	3.5	963	255.37	28	3.00		GFAF89		3.9	863	228.93	28	3.30	GF89																																																																																																																																																																																																																																				
10	219	128.51	3.5	0.85	GFA39	4P	2.5	1290	538	17	1.20		GFA69R39	4P																																																																																																																																																																																																																																																																																																																																																																																																																																																																																																																																																																																																																																												
11	201	117.88	3.8	0.90	GFAF39		13	171	100.36	4.3	1.10		GF39		15	148	86.53		4.6		1.25	GFF39	16	138			80.65	4.7	1.35		19	120			70.50	4.8	1.55		20	113	66.09		4.9	1.65		23	99	58.32	4.9		1.85		24	93	54.54	5.0	2.00		26	88	51.70	5.0	2.10		28	80	47.02	5.1	2.30		30		75	43.95	5.1	2.50		35	65		38.31	5.1	2.80		37	61	35.91		5.1	3.00		42	54	31.69	5.2	3.40		0.37kW							3.5	921	384	9.4	0.95		GFA69R39	4P	0.20		16084	6708	81	0.80	GFA129R79	4P	3.9	810	338	10	1.05	GFA69R39	4P	0.22	14192	5919	84		0.85	GFAF129R79	0.26	12341		5147	86		1.00	GF129R79	0.29	10857			4528	86		1.15	GFF129R79	0.34		9404		3922	86	1.35			0.39		8272	3450	86	1.55		0.44		7260	3028	86	1.70									2.4	1377	270.68	27	2.10	GFA89	8P	5.2	611	255	8.9	1.00	GFA59R39	4P	2.6	1299	255.37	27	2.30	GFAF89	2.9	1164	228.93	27	2.50	GF89	3.3		1003	197.20	27	2.90	GFF89	4P	6.6		482	201	10	1.30	GFA59R39	4P	3.3	1021	270.68	27	2.80	GFA89	6P	7.3	434	181	10	1.45	GF59R39	4P	3.5		963	255.37	28	3.00	GFAF89		3.9		863	228.93		28	3.30	GF89								7.6	420	175	5.7	1.00	GFA49R19	4P		9.0	352	147	6.4	1.20	GFA49R19	4P	9.0	352	147	6.4	1.20	GFAF49R19	10	312	130	6.8	1.35	GF49R19							2.4		1377	270.68	27	2.10	GFA89	8P	10		312	130	6.8	1.35	GFF49R19	4P	2.6	1299	255.37	27	2.30	GFAF89	2.9	1164	228.93	27	2.50	GF89	3.3	1003	197.20	27	2.90	GFF89	4P	5.1	628		262	8.7	1.00	GFA59R39	4P	3.3	1021		270.68	27	2.80	GFA89	6P	5.9	542	226	9.3	1.15	GFA59R39	4P	3.5	963	255.37	28	3.00	GFAF89	3.9	863	228.93		28	3.30	GF89																																																																																																																																																																																																																																																																														
13	171	100.36	4.3	1.10	GF39		15	148	86.53	4.6	1.25		GFF39		16	138	80.65		4.7		1.35		19	120			70.50	4.8	1.55		20	113	66.09		4.9	1.65		23	99	58.32	4.9		1.85		24	93	54.54	5.0	2.00			26	88	51.70	5.0	2.10		28	80	47.02	5.1	2.30		30	75	43.95	5.1	2.50		35	65		38.31	5.1	2.80		37	61	35.91		5.1	3.00		42	54	31.69	5.2		3.40		0.37kW							3.5	921	384	9.4	0.95	GFA69R39	4P	0.20	16084	6708	81	0.80		GFA129R79		4P	3.9	810	338	10	1.05	GFA69R39		4P	0.22	14192	5919	84	0.85		GFAF129R79	0.26	12341	5147		86	1.00	GF129R79	0.29		10857	4528		86	1.15	GFF129R79	0.34	9404		3922	86		1.35		0.39		8272		3450	86	1.55			0.44	7260	3028	86	1.70									2.4	1377	270.68	27	2.10	GFA89	8P	5.2	611	255	8.9	1.00	GFA59R39	4P		2.6	1299	255.37	27	2.30	GFAF89		2.9	1164	228.93	27	2.50	GF89	3.3	1003	197.20	27	2.90	GFF89	4P	6.6	482	201	10	1.30	GFA59R39		4P	3.3	1021	270.68	27	2.80	GFA89		6P	7.3	434	181	10	1.45		GF59R39	4P	3.5	963	255.37	28		3.00		GFAF89	3.9	863	228.93	28		3.30	GF89							7.6	420	175	5.7	1.00	GFA49R19	4P	9.0	352	147	6.4	1.20	GFA49R19		4P	9.0	352	147	6.4	1.20	GFAF49R19		10	312	130	6.8	1.35	GF49R19							2.4	1377	270.68	27	2.10	GFA89	8P	10	312	130	6.8	1.35	GFF49R19		4P	2.6	1299	255.37	27	2.30	GFAF89		2.9	1164	228.93	27	2.50	GF89	3.3	1003	197.20	27	2.90	GFF89	4P	5.1	628	262	8.7	1.00		GFA59R39	4P	3.3	1021	270.68	27	2.80		GFA89	6P	5.9	542	226	9.3	1.15		GFA59R39	4P	3.5	963	255.37	28		3.00	GFAF89	3.9	863	228.93	28	3.30	GF89																																																																																																																																																																																																																																																																																			
15	148	86.53	4.6	1.25	GFF39		16	138	80.65	4.7	1.35				19	120	70.50		4.8		1.55		20	113	66.09		4.9	1.65		23	99	58.32	4.9		1.85		24	93	54.54	5.0	2.00			26	88	51.70	5.0	2.10			28	80	47.02	5.1	2.30		30	75	43.95	5.1	2.50		35	65	38.31	5.1	2.80		37	61	35.91		5.1	3.00		42	54	31.69	5.2		3.40		0.37kW							3.5	921	384	9.4	0.95	GFA69R39	4P	0.20	16084	6708	81	0.80	GFA129R79	4P		3.9	810	338	10	1.05	GFA69R39	4P			0.22	14192	5919	84	0.85	GFAF129R79			0.26	12341	5147	86	1.00		GF129R79	0.29	10857	4528		86	1.15	GFF129R79	0.34	9404	3922	86		1.35		0.39	8272	3450		86	1.55			0.44	7260		3028	86	1.70									2.4	1377	270.68	27	2.10	GFA89	8P	5.2	611	255	8.9	1.00	GFA59R39	4P	2.6		1299	255.37	27	2.30	GFAF89	2.9			1164	228.93	27	2.50	GF89	3.3		1003	197.20	27	2.90	GFF89	4P	6.6	482	201	10	1.30	GFA59R39		4P	3.3	1021	270.68	27	2.80			GFA89	6P	7.3	434	181	10			1.45	GF59R39	4P	3.5	963		255.37		28	3.00	GFAF89	3.9		863		228.93	28	3.30	GF89							7.6	420	175	5.7	1.00	GFA49R19	4P	9.0	352	147		6.4	1.20	GFA49R19	4P	9.0	352			147	6.4	1.20	GFAF49R19	10	312		130	6.8	1.35	GF49R19							2.4	1377	270.68	27	2.10	GFA89	8P	10		312	130	6.8	1.35	GFF49R19	4P			2.6	1299	255.37	27	2.30	GFAF89		2.9	1164	228.93	27	2.50	GF89	3.3	1003	197.20	27	2.90	GFF89		4P	5.1	628	262	8.7		1.00		GFA59R39	4P	3.3	1021	270.68		27		2.80	GFA89	6P	5.9	542		226		9.3	1.15	GFA59R39	4P		3.5	963	255.37	28	3.00	GFAF89	3.9	863	228.93		28	3.30	GF89																																																																																																																																																																																																																																																																														
16	138	80.65	4.7	1.35			19	120	70.50	4.8	1.55				20	113	66.09		4.9	1.65		23	99	58.32	4.9		1.85		24	93	54.54	5.0	2.00			26	88	51.70	5.0	2.10			28	80	47.02	5.1	2.30		30		75	43.95	5.1	2.50		35	65	38.31	5.1	2.80		37	61	35.91	5.1	3.00		42	54	31.69	5.2		3.40		0.37kW							3.5	921	384	9.4	0.95	GFA69R39		4P	0.20	16084	6708	81	0.80	GFA129R79		4P	3.9	810	338	10	1.05			GFA69R39	4P	0.22	14192	5919	84				0.85	GFAF129R79	0.26	12341	5147	86			1.00	GF129R79	0.29	10857	4528		86	1.15	GFF129R79	0.34	9404	3922	86	1.35		0.39	8272	3450		86	1.55		0.44	7260		3028	86	1.70									2.4	1377	270.68	27	2.10	GFA89	8P	5.2	611	255	8.9	1.00	GFA59R39		4P	2.6	1299	255.37	27	2.30		GFAF89		2.9	1164	228.93	27	2.50	GF89		3.3	1003	197.20	27	2.90	GFF89	4P	6.6	482	201	10	1.30	GFA59R39		4P	3.3	1021	270.68	27	2.80			GFA89	6P	7.3	434	181			10		1.45	GF59R39	4P	3.5	963		255.37	28		3.00	GFAF89	3.9	863		228.93	28	3.30	GF89							7.6	420	175	5.7	1.00	GFA49R19	4P	9.0	352	147	6.4	1.20	GFA49R19		4P	9.0	352		147	6.4	1.20		GFAF49R19	10	312		130	6.8	1.35	GF49R19							2.4	1377	270.68	27	2.10	GFA89	8P	10	312	130	6.8	1.35	GFF49R19		4P		2.6	1299	255.37	27	2.30		GFAF89		2.9	1164	228.93	27	2.50	GF89	3.3	1003	197.20	27	2.90	GFF89	4P	5.1	628	262	8.7	1.00	GFA59R39			4P	3.3	1021	270.68		27		2.80		GFA89	6P	5.9		542		226	9.3		1.15	GFA59R39	4P	3.5		963	255.37	28		3.00	GFAF89	3.9	863	228.93	28	3.30	GF89																																																																																																																																																																																																																																																																																				
19	120	70.50	4.8	1.55			20	113	66.09	4.9	1.65			23	99	58.32	4.9		1.85		24	93	54.54	5.0	2.00			26	88	51.70	5.0	2.10			28	80	47.02	5.1	2.30		30		75	43.95	5.1	2.50		35	65		38.31	5.1	2.80		37	61	35.91	5.1	3.00		42	54	31.69	5.2	3.40		0.37kW							3.5	921	384	9.4	0.95	GFA69R39		4P	0.20	16084	6708	81	0.80	GFA129R79	4P		3.9	810	338	10	1.05	GFA69R39			4P	0.22	14192	5919	84			0.85		GFAF129R79	0.26	12341	5147				86	1.00	GF129R79	0.29	10857	4528			86	1.15	GFF129R79	0.34	9404		3922	86	1.35		0.39	8272	3450	86	1.55		0.44	7260		3028	86	1.70									2.4	1377	270.68	27	2.10	GFA89	8P	5.2	611	255	8.9	1.00		GFA59R39	4P	2.6	1299	255.37	27			2.30	GFAF89	2.9	1164	228.93		27	2.50	GF89	3.3	1003	197.20	27	2.90	GFF89	4P	6.6	482	201	10	1.30		GFA59R39	4P	3.3	1021	270.68	27			2.80	GFA89	6P	7.3	434			181		10	1.45	GF59R39		4P	3.5		963	255.37		28	3.00	GFAF89	3.9	863		228.93	28	3.30	GF89							7.6	420	175	5.7	1.00	GFA49R19	4P	9.0	352	147	6.4		1.20	GFA49R19	4P	9.0	352	147			6.4	1.20	GFAF49R19	10	312	130		6.8	1.35	GF49R19							2.4	1377	270.68	27	2.10	GFA89	8P	10	312	130	6.8		1.35	GFF49R19	4P	2.6	1299	255.37			27	2.30	GFAF89	2.9	1164	228.93		27	2.50	GF89	3.3	1003	197.20	27	2.90	GFF89	4P	5.1	628	262	8.7		1.00	GFA59R39	4P	3.3	1021	270.68				27	2.80	GFA89		6P		5.9		542		226		9.3	1.15	GFA59R39	4P		3.5	963		255.37	28	3.00	GFAF89	3.9		863	228.93	28	3.30	GF89																																																																																																																																																																																																																																																																																							
20	113	66.09	4.9	1.65			23	99	58.32	4.9	1.85			24	93	54.54	5.0		2.00		26	88	51.70	5.0	2.10			28	80	47.02	5.1	2.30			30	75	43.95	5.1	2.50		35		65	38.31	5.1	2.80		37	61		35.91	5.1	3.00		42	54	31.69	5.2	3.40		0.37kW							3.5	921	384	9.4		0.95	GFA69R39	4P	0.20	16084	6708	81	0.80		GFA129R79	4P	3.9	810	338	10			1.05	GFA69R39	4P	0.22	14192	5919				84	0.85	GFAF129R79	0.26			12341		5147	86	1.00	GF129R79		0.29		10857	4528	86	1.15	GFF129R79	0.34			9404	3922	86	1.35		0.39	8272	3450	86	1.55		0.44	7260	3028	86	1.70									2.4	1377	270.68	27	2.10	GFA89	8P	5.2	611	255	8.9	1.00		GFA59R39	4P	2.6	1299	255.37		27		2.30	GFAF89	2.9	1164	228.93		27	2.50	GF89	3.3	1003	197.20	27	2.90	GFF89	4P	6.6	482	201	10	1.30		GFA59R39	4P	3.3	1021	270.68		27		2.80	GFA89	6P	7.3			434	181		10	1.45		GF59R39	4P		3.5	963	255.37	28		3.00	GFAF89	3.9	863		228.93	28	3.30	GF89							7.6	420	175	5.7	1.00	GFA49R19	4P	9.0	352	147	6.4	1.20		GFA49R19	4P	9.0	352		147	6.4		1.20	GFAF49R19	10	312		130	6.8	1.35	GF49R19							2.4	1377	270.68	27	2.10	GFA89	8P	10	312	130	6.8	1.35		GFF49R19	4P	2.6	1299		255.37	27		2.30	GFAF89	2.9	1164		228.93	27	2.50	GF89	3.3	1003	197.20	27	2.90	GFF89	4P	5.1	628	262	8.7	1.00		GFA59R39	4P	3.3	1021		270.68	27		2.80	GFA89	6P				5.9	542	226	9.3			1.15		GFA59R39		4P	3.5	963	255.37	28		3.00	GFAF89	3.9		863	228.93	28	3.30	GF89																																																																																																																																																																																																																																																																																													
23	99	58.32	4.9	1.85			24	93	54.54	5.0	2.00			26	88	51.70	5.0		2.10		28	80	47.02	5.1	2.30			30	75	43.95	5.1	2.50			35	65	38.31	5.1	2.80		37		61	35.91	5.1	3.00		42	54		31.69	5.2	3.40		0.37kW							3.5	921	384	9.4	0.95	GFA69R39	4P	0.20	16084	6708	81	0.80	GFA129R79		4P	3.9	810	338	10		1.05		GFA69R39	4P	0.22	14192			5919	84		0.85	GFAF129R79	0.26				12341	5147	86	1.00		GF129R79	0.29		10857	4528	86	1.15		GFF129R79		0.34	9404	3922	86	1.35			0.39	8272	3450	86	1.55		0.44	7260	3028	86	1.70								2.4	1377	270.68	27	2.10	GFA89	8P	5.2	611	255	8.9	1.00	GFA59R39		4P	2.6	1299	255.37	27		2.30		GFAF89	2.9	1164	228.93	27		2.50	GF89	3.3	1003	197.20	27	2.90	GFF89	4P	6.6	482	201	10	1.30	GFA59R39		4P	3.3	1021	270.68	27		2.80		GFA89	6P	7.3		434		181	10		1.45		GF59R39	4P	3.5		963	255.37	28	3.00		GFAF89	3.9	863	228.93	28		3.30	GF89							7.6	420	175	5.7	1.00	GFA49R19	4P	9.0	352	147	6.4	1.20	GFA49R19		4P	9.0	352	147	6.4		1.20		GFAF49R19	10	312	130	6.8		1.35	GF49R19							2.4	1377	270.68	27	2.10	GFA89	8P	10	312	130	6.8	1.35	GFF49R19		4P	2.6	1299	255.37	27		2.30		GFAF89	2.9	1164	228.93	27		2.50	GF89	3.3	1003	197.20	27	2.90	GFF89	4P	5.1	628	262	8.7	1.00	GFA59R39		4P	3.3	1021	270.68	27		2.80		GFA89	6P		5.9	542		226	9.3		1.15			GFA59R39	4P	3.5	963		255.37	28		3.00	GFAF89		3.9	863	228.93	28		3.30	GF89																																																																																																																																																																																																																																																																																																				
24	93	54.54	5.0	2.00			26	88	51.70	5.0	2.10			28	80	47.02	5.1		2.30		30	75	43.95	5.1	2.50			35	65	38.31	5.1	2.80			37	61	35.91	5.1	3.00		42		54	31.69	5.2	3.40		0.37kW							3.5	921	384	9.4	0.95	GFA69R39	4P	0.20	16084	6708	81	0.80	GFA129R79		4P	3.9	810	338	10	1.05			GFA69R39	4P	0.22	14192		5919		84		0.85	GFAF129R79			0.26	12341		5147	86	1.00	GF129R79			0.29	10857	4528	86		1.15	GFF129R79		0.34	9404	3922	86	1.35			0.39	8272	3450	86	1.55			0.44	7260	3028	86	1.70								2.4	1377	270.68	27	2.10	GFA89	8P	5.2	611	255	8.9	1.00		GFA59R39	4P	2.6	1299	255.37	27			2.30	GFAF89	2.9	1164	228.93	27		2.50	GF89	3.3	1003	197.20	27	2.90	GFF89	4P	6.6	482	201	10	1.30		GFA59R39	4P	3.3	1021	270.68	27			2.80	GFA89	6P	7.3		434		181		10		1.45	GF59R39	4P	3.5		963	255.37	28		3.00	GFAF89	3.9	863	228.93	28		3.30	GF89							7.6	420	175	5.7	1.00	GFA49R19	4P	9.0	352	147	6.4	1.20		GFA49R19	4P	9.0	352	147	6.4			1.20	GFAF49R19	10	312	130	6.8		1.35	GF49R19							2.4	1377	270.68	27	2.10	GFA89	8P	10	312	130	6.8	1.35		GFF49R19	4P	2.6	1299	255.37	27			2.30	GFAF89	2.9	1164	228.93	27		2.50	GF89	3.3	1003	197.20	27	2.90	GFF89	4P	5.1	628	262	8.7	1.00		GFA59R39	4P	3.3	1021	270.68	27			2.80	GFA89	6P	5.9		542		226			9.3	1.15		GFA59R39	4P		3.5	963		255.37		28	3.00	GFAF89	3.9	863	228.93	28	3.30		GF89																																																																																																																																																																																																																																																																																																										
26	88	51.70	5.0	2.10			28	80	47.02	5.1	2.30			30	75	43.95	5.1		2.50		35	65	38.31	5.1	2.80			37	61	35.91	5.1	3.00			42	54	31.69	5.2	3.40		0.37kW							3.5	921	384	9.4	0.95	GFA69R39	4P	0.20	16084	6708	81	0.80	GFA129R79		4P	3.9	810	338	10	1.05			GFA69R39	4P	0.22	14192	5919			84		0.85	GFAF129R79		0.26		12341		5147	86		1.00	GF129R79	0.29		10857	4528	86	1.15			GFF129R79	0.34	9404	3922		86	1.35		0.39	8272	3450	86	1.55			0.44	7260	3028	86	1.70								2.4	1377	270.68	27	2.10	GFA89	8P	5.2	611	255	8.9	1.00	GFA59R39		4P	2.6	1299	255.37	27		2.30		GFAF89	2.9	1164	228.93	27		2.50	GF89	3.3	1003	197.20	27	2.90	GFF89	4P	6.6	482	201	10	1.30	GFA59R39		4P	3.3	1021	270.68	27		2.80		GFA89	6P	7.3	434			181	10		1.45		GF59R39	4P	3.5		963	255.37	28	3.00		GFAF89	3.9	863	228.93	28		3.30	GF89							7.6	420	175	5.7	1.00	GFA49R19	4P	9.0	352	147	6.4	1.20	GFA49R19		4P	9.0	352	147	6.4		1.20		GFAF49R19	10	312	130	6.8		1.35	GF49R19							2.4	1377	270.68	27	2.10	GFA89	8P	10	312	130	6.8	1.35	GFF49R19		4P	2.6	1299	255.37	27		2.30		GFAF89	2.9	1164	228.93	27		2.50	GF89	3.3	1003	197.20	27	2.90	GFF89	4P	5.1	628	262	8.7	1.00	GFA59R39		4P	3.3	1021	270.68	27		2.80		GFA89	6P	5.9	542			226	9.3		1.15		GFA59R39		4P		3.5	963	255.37		28		3.00	GFAF89	3.9	863	228.93		28	3.30	GF89																																																																																																																																																																																																																																																																																																																	
28	80	47.02	5.1	2.30			30	75	43.95	5.1	2.50			35	65	38.31	5.1		2.80		37	61	35.91	5.1	3.00			42	54	31.69	5.2	3.40			0.37kW							3.5	921	384	9.4	0.95	GFA69R39	4P	0.20	16084	6708	81	0.80		GFA129R79	4P	3.9	810	338	10			1.05	GFA69R39	4P	0.22	14192			5919		84	0.85	GFAF129R79			0.26		12341	5147	86	1.00		GF129R79		0.29	10857		4528	86	1.15		GFF129R79	0.34	9404	3922		86	1.35		0.39	8272		3450	86	1.55		0.44	7260	3028	86	1.70								2.4	1377	270.68	27	2.10	GFA89	8P	5.2	611	255	8.9	1.00		GFA59R39	4P	2.6	1299	255.37	27			2.30	GFAF89	2.9	1164	228.93	27		2.50	GF89	3.3	1003	197.20	27	2.90	GFF89	4P	6.6	482	201	10	1.30		GFA59R39	4P	3.3	1021	270.68	27			2.80	GFA89	6P	7.3		434		181		10	1.45		GF59R39	4P	3.5		963	255.37	28		3.00	GFAF89	3.9	863	228.93	28		3.30	GF89							7.6	420	175	5.7	1.00	GFA49R19	4P	9.0	352	147	6.4	1.20		GFA49R19	4P	9.0	352	147	6.4			1.20	GFAF49R19	10	312	130	6.8		1.35	GF49R19							2.4	1377	270.68	27	2.10	GFA89	8P	10	312	130	6.8	1.35		GFF49R19	4P	2.6	1299	255.37	27			2.30	GFAF89	2.9	1164	228.93	27		2.50	GF89	3.3	1003	197.20	27	2.90	GFF89	4P	5.1	628	262	8.7	1.00		GFA59R39	4P	3.3	1021	270.68	27			2.80	GFA89	6P	5.9		542		226		9.3	1.15			GFA59R39	4P		3.5	963	255.37			28	3.00	GFAF89	3.9	863	228.93		28	3.30	GF89																																																																																																																																																																																																																																																																																																																							
30	75	43.95	5.1	2.50			35	65	38.31	5.1	2.80			37	61	35.91	5.1		3.00		42	54	31.69	5.2	3.40			0.37kW							3.5	921	384	9.4	0.95	GFA69R39	4P	0.20	16084	6708	81	0.80	GFA129R79		4P	3.9	810	338	10		1.05		GFA69R39	4P	0.22	14192			5919	84		0.85	GFAF129R79			0.26		12341	5147	86	1.00		GF129R79		0.29	10857	4528	86		1.15		GFF129R79	0.34		9404	3922	86	1.35		0.39	8272	3450		86	1.55		0.44	7260	3028	86	1.70								2.4	1377	270.68	27	2.10	GFA89	8P	5.2	611	255	8.9	1.00	GFA59R39		4P	2.6	1299	255.37	27		2.30		GFAF89	2.9	1164	228.93	27		2.50	GF89	3.3	1003	197.20	27	2.90	GFF89	4P	6.6	482	201	10	1.30	GFA59R39		4P	3.3	1021	270.68	27		2.80		GFA89	6P	7.3	434			181	10		1.45		GF59R39	4P	3.5		963	255.37	28	3.00		GFAF89	3.9	863	228.93	28		3.30	GF89							7.6	420	175	5.7	1.00	GFA49R19	4P	9.0	352	147	6.4	1.20	GFA49R19		4P	9.0	352	147	6.4		1.20		GFAF49R19	10	312	130	6.8		1.35	GF49R19							2.4	1377	270.68	27	2.10	GFA89	8P	10	312	130	6.8	1.35	GFF49R19		4P	2.6	1299	255.37	27		2.30		GFAF89	2.9	1164	228.93	27		2.50	GF89	3.3	1003	197.20	27	2.90	GFF89	4P	5.1	628	262	8.7	1.00	GFA59R39		4P	3.3	1021	270.68	27		2.80		GFA89	6P	5.9	542			226	9.3		1.15		GFA59R39		4P		3.5	963	255.37		28		3.00	GFAF89	3.9	863	228.93		28	3.30	GF89																																																																																																																																																																																																																																																																																																																														
35	65	38.31	5.1	2.80			37	61	35.91	5.1	3.00			42	54	31.69	5.2		3.40		0.37kW							3.5	921	384	9.4	0.95	GFA69R39	4P	0.20	16084	6708	81	0.80	GFA129R79		4P	3.9	810	338	10	1.05			GFA69R39	4P	0.22	14192		5919		84		0.85	GFAF129R79			0.26	12341		5147	86	1.00		GF129R79		0.29	10857	4528	86		1.15		GFF129R79	0.34	9404	3922		86	1.35		0.39		8272	3450	86	1.55		0.44	7260	3028	86	1.70								2.4	1377	270.68	27	2.10	GFA89	8P	5.2	611	255	8.9	1.00	GFA59R39		4P	2.6	1299	255.37	27	2.30			GFAF89	2.9	1164	228.93	27	2.50		GF89	3.3	1003	197.20	27	2.90	GFF89	4P	6.6	482	201	10	1.30	GFA59R39		4P	3.3	1021	270.68	27	2.80			GFA89	6P	7.3	434		181		10		1.45	GF59R39		4P	3.5	963		255.37	28	3.00		GFAF89	3.9	863	228.93	28	3.30		GF89							7.6	420	175	5.7	1.00	GFA49R19	4P	9.0	352	147	6.4	1.20	GFA49R19		4P	9.0	352	147	6.4	1.20			GFAF49R19	10	312	130	6.8	1.35		GF49R19							2.4	1377	270.68	27	2.10	GFA89	8P	10	312	130	6.8	1.35	GFF49R19		4P	2.6	1299	255.37	27	2.30			GFAF89	2.9	1164	228.93	27	2.50		GF89	3.3	1003	197.20	27	2.90	GFF89	4P	5.1	628	262	8.7	1.00	GFA59R39		4P	3.3	1021	270.68	27	2.80			GFA89	6P	5.9	542		226		9.3		1.15	GFA59R39			4P	3.5		963	255.37	28			3.00	GFAF89	3.9	863	228.93	28		3.30	GF89																																																																																																																																																																																																																																																																																																																																					
37	61	35.91	5.1	3.00			42	54	31.69	5.2	3.40			0.37kW							3.5	921	384	9.4	0.95	GFA69R39	4P	0.20	16084	6708	81	0.80	GFA129R79		4P	3.9	810	338	10	1.05			GFA69R39	4P	0.22	14192	5919			84		0.85	GFAF129R79		0.26		12341		5147	86	1.00		GF129R79	0.29		10857	4528	86		1.15		GFF129R79	0.34	9404	3922		86	1.35		0.39	8272	3450		86	1.55		0.44	7260	3028	86	1.70								2.4	1377	270.68	27	2.10	GFA89	8P	5.2	611	255	8.9	1.00	GFA59R39		4P	2.6	1299	255.37	27	2.30			GFAF89	2.9	1164	228.93	27	2.50		GF89	3.3	1003	197.20	27	2.90	GFF89	4P	6.6	482	201	10	1.30	GFA59R39		4P	3.3	1021	270.68	27	2.80			GFA89	6P	7.3	434	181			10		1.45	GF59R39		4P	3.5	963		255.37	28	3.00		GFAF89	3.9	863	228.93	28	3.30		GF89							7.6	420	175	5.7	1.00	GFA49R19	4P	9.0	352	147	6.4	1.20	GFA49R19		4P	9.0	352	147	6.4	1.20			GFAF49R19	10	312	130	6.8	1.35		GF49R19							2.4	1377	270.68	27	2.10	GFA89	8P	10	312	130	6.8	1.35	GFF49R19		4P	2.6	1299	255.37	27	2.30			GFAF89	2.9	1164	228.93	27	2.50		GF89	3.3	1003	197.20	27	2.90	GFF89	4P	5.1	628	262	8.7	1.00	GFA59R39		4P	3.3	1021	270.68	27	2.80			GFA89	6P	5.9	542	226			9.3		1.15	GFA59R39		4P		3.5		963	255.37	28			3.00	GFAF89	3.9	863	228.93	28		3.30	GF89																																																																																																																																																																																																																																																																																																																																												
42	54	31.69	5.2	3.40			0.37kW							3.5	921	384	9.4	0.95	GFA69R39	4P	0.20	16084	6708	81	0.80	GFA129R79		4P	3.9	810	338	10	1.05			GFA69R39	4P	0.22	14192	5919			84		0.85	GFAF129R79	0.26			12341		5147	86	1.00	GF129R79		0.29		10857	4528	86		1.15	GFF129R79		0.34	9404	3922		86	1.35		0.39	8272	3450		86	1.55		0.44	7260	3028	86	1.70								2.4	1377	270.68	27	2.10	GFA89	8P	5.2	611	255	8.9	1.00	GFA59R39		4P	2.6	1299	255.37	27	2.30			GFAF89	2.9	1164	228.93	27	2.50		GF89	3.3	1003	197.20	27	2.90	GFF89	4P	6.6	482	201	10	1.30	GFA59R39		4P	3.3	1021	270.68	27	2.80			GFA89	6P	7.3	434	181			10		1.45	GF59R39	4P		3.5	963		255.37	28	3.00		GFAF89	3.9	863	228.93	28	3.30		GF89							7.6	420	175	5.7	1.00	GFA49R19	4P	9.0	352	147	6.4	1.20	GFA49R19		4P	9.0	352	147	6.4	1.20			GFAF49R19	10	312	130	6.8	1.35		GF49R19							2.4	1377	270.68	27	2.10	GFA89	8P	10	312	130	6.8	1.35	GFF49R19		4P	2.6	1299	255.37	27	2.30			GFAF89	2.9	1164	228.93	27	2.50		GF89	3.3	1003	197.20	27	2.90	GFF89	4P	5.1	628	262	8.7	1.00	GFA59R39		4P	3.3	1021	270.68	27	2.80			GFA89	6P	5.9	542	226			9.3		1.15	GFA59R39	4P			3.5		963	255.37	28			3.00	GFAF89	3.9	863	228.93	28		3.30	GF89																																																																																																																																																																																																																																																																																																																																																			
0.37kW							3.5	921	384	9.4	0.95	GFA69R39	4P																																																																																																																																																																																																																																																																																																																																																																																																																																																																																																																																																																																																																																													
0.20	16084	6708	81	0.80	GFA129R79	4P	3.9	810	338	10	1.05	GFA69R39		4P																																																																																																																																																																																																																																																																																																																																																																																																																																																																																																																																																																																																																																												
0.22	14192	5919	84	0.85	GFAF129R79		0.26	12341	5147	86	1.00	GF129R79			0.29	10857	4528	86	1.15		GFF129R79	0.34	9404	3922	86	1.35				0.39	8272	3450	86	1.55				0.44	7260	3028	86		1.70										2.4	1377	270.68		27	2.10	GFA89	8P	5.2	611	255	8.9	1.00	GFA59R39	4P	2.6	1299	255.37	27	2.30	GFAF89	2.9	1164	228.93	27	2.50	GF89	3.3	1003	197.20	27	2.90	GFF89	4P	6.6	482	201	10	1.30	GFA59R39	4P	3.3	1021	270.68	27	2.80	GFA89	6P	7.3	434	181	10	1.45	GF59R39	4P	3.5	963	255.37	28	3.00	GFAF89	3.9	863	228.93	28	3.30	GF89							7.6	420		175	5.7	1.00	GFA49R19	4P	9.0		352	147	6.4	1.20	GFA49R19	4P	9.0	352	147	6.4	1.20	GFAF49R19	10	312	130	6.8	1.35	GF49R19							2.4	1377	270.68	27	2.10	GFA89	8P	10	312	130	6.8	1.35	GFF49R19	4P	2.6	1299	255.37	27	2.30	GFAF89	2.9	1164	228.93	27	2.50	GF89	3.3	1003	197.20	27	2.90	GFF89	4P	5.1	628	262	8.7	1.00	GFA59R39	4P	3.3	1021	270.68	27	2.80	GFA89	6P	5.9	542	226	9.3	1.15	GFA59R39	4P	3.5	963	255.37	28	3.00	GFAF89	3.9	863	228.93	28	3.30	GF89																																																																																																																																																																																																																																																																																																																																																																																																																									
0.26	12341	5147	86	1.00	GF129R79		0.29	10857	4528	86	1.15	GFF129R79			0.34	9404	3922	86	1.35			0.39	8272	3450	86	1.55			0.44	7260	3028	86	1.70											2.4	1377	270.68	27	2.10		GFA89	8P	5.2	611	255	8.9	1.00	GFA59R39	4P	2.6		1299	255.37	27	2.30	GFAF89	2.9		1164	228.93	27	2.50	GF89	3.3	1003	197.20	27	2.90	GFF89	4P	6.6	482	201	10	1.30	GFA59R39		4P	3.3	1021	270.68	27	2.80		GFA89	6P	7.3	434	181	10		1.45	GF59R39	4P	3.5	963	255.37		28	3.00	GFAF89	3.9	863	228.93	28	3.30	GF89							7.6	420	175	5.7	1.00		GFA49R19	4P	9.0	352		147	6.4	1.20	GFA49R19	4P	9.0	352		147	6.4	1.20	GFAF49R19	10	312	130	6.8	1.35	GF49R19							2.4	1377	270.68	27	2.10	GFA89	8P	10		312	130	6.8	1.35	GFF49R19	4P		2.6	1299	255.37	27	2.30	GFAF89	2.9	1164	228.93	27	2.50	GF89	3.3	1003	197.20	27	2.90	GFF89		4P	5.1	628	262	8.7	1.00		GFA59R39	4P	3.3	1021	270.68	27		2.80	GFA89	6P	5.9	542	226		9.3	1.15	GFA59R39	4P	3.5	963	255.37	28	3.00	GFAF89	3.9	863	228.93	28	3.30	GF89																																																																																																																																																																																																																																																																																																																																																																																																																					
0.29	10857	4528	86	1.15	GFF129R79		0.34	9404	3922	86	1.35				0.39	8272	3450	86	1.55		0.44	7260	3028	86	1.70									2.4		1377	270.68	27	2.10	GFA89	8P		5.2	611	255	8.9	1.00	GFA59R39	4P	2.6		1299	255.37	27	2.30	GFAF89	2.9		1164		228.93	27	2.50	GF89	3.3	1003		197.20	27	2.90	GFF89	4P	6.6	482	201	10	1.30	GFA59R39		4P	3.3	1021	270.68	27	2.80			GFA89	6P	7.3	434	181		10		1.45	GF59R39	4P	3.5		963	255.37		28	3.00	GFAF89		3.9	863	228.93	28	3.30	GF89							7.6	420	175	5.7	1.00	GFA49R19	4P	9.0	352	147		6.4	1.20		GFA49R19	4P	9.0	352		147	6.4		1.20	GFAF49R19	10	312	130	6.8	1.35	GF49R19							2.4	1377	270.68	27	2.10	GFA89	8P	10		312		130	6.8	1.35	GFF49R19	4P			2.6	1299	255.37	27	2.30	GFAF89	2.9	1164	228.93	27	2.50	GF89	3.3	1003	197.20	27	2.90	GFF89			4P	5.1	628	262	8.7		1.00		GFA59R39	4P	3.3	1021		270.68	27		2.80	GFA89	6P		5.9	542	226		9.3	1.15	GFA59R39	4P	3.5	963	255.37	28	3.00	GFAF89	3.9	863	228.93	28	3.30	GF89																																																																																																																																																																																																																																																																																																																																																																																																																	
0.34	9404	3922	86	1.35			0.39	8272	3450	86	1.55		0.44		7260	3028	86	1.70								2.4	1377		270.68	27	2.10	GFA89	8P	5.2		611	255	8.9	1.00	GFA59R39		4P	2.6	1299	255.37	27	2.30	GFAF89		2.9		1164	228.93	27	2.50	GF89	3.3		1003	197.20	27	2.90	GFF89	4P	6.6	482	201	10	1.30	GFA59R39	4P		3.3	1021	270.68	27	2.80	GFA89			6P	7.3	434	181	10			1.45		GF59R39	4P	3.5	963	255.37		28	3.00		GFAF89	3.9	863	228.93		28	3.30	GF89							7.6	420	175	5.7	1.00	GFA49R19	4P	9.0	352	147	6.4	1.20	GFA49R19		4P	9.0	352		147	6.4	1.20	GFAF49R19		10	312		130	6.8	1.35	GF49R19							2.4	1377	270.68	27	2.10	GFA89	8P	10	312	130	6.8	1.35	GFF49R19		4P		2.6	1299	255.37	27	2.30	GFAF89			2.9	1164	228.93	27	2.50	GF89	3.3	1003	197.20	27	2.90	GFF89	4P	5.1	628	262	8.7	1.00	GFA59R39				4P	3.3	1021	270.68		27		2.80		GFA89	6P	5.9	542	226		9.3	1.15		GFA59R39	4P	3.5	963		255.37	28	3.00		GFAF89	3.9	863	228.93	28	3.30	GF89																																																																																																																																																																																																																																																																																																																																																																																																																						
0.39	8272	3450	86	1.55			0.44	7260	3028	86	1.70								2.4	1377	270.68	27	2.10	GFA89	8P	5.2	611		255	8.9	1.00	GFA59R39		4P	2.6	1299	255.37	27	2.30	GFAF89			2.9	1164	228.93	27	2.50	GF89		3.3	1003	197.20	27	2.90	GFF89	4P	6.6	482	201	10	1.30	GFA59R39	4P		3.3	1021	270.68	27	2.80	GFA89			6P	7.3	434	181	10	1.45				GF59R39	4P	3.5	963		255.37	28		3.00		GFAF89	3.9	863	228.93	28	3.30		GF89							7.6	420	175	5.7	1.00	GFA49R19	4P	9.0	352	147	6.4	1.20	GFA49R19		4P	9.0	352	147	6.4	1.20			GFAF49R19	10	312	130	6.8	1.35	GF49R19								2.4	1377	270.68	27	2.10	GFA89	8P	10	312	130	6.8	1.35	GFF49R19		4P	2.6	1299	255.37	27	2.30			GFAF89	2.9	1164	228.93	27	2.50	GF89		3.3	1003	197.20	27	2.90	GFF89	4P	5.1	628	262	8.7	1.00	GFA59R39		4P	3.3	1021	270.68	27	2.80					GFA89	6P	5.9		542		226		9.3		1.15	GFA59R39	4P	3.5	963	255.37		28		3.00	GFAF89	3.9	863	228.93	28		3.30	GF89																																																																																																																																																																																																																																																																																																																																																																																																																											
0.44	7260	3028	86	1.70									2.4	1377	270.68	27	2.10	GFA89	8P	5.2	611	255	8.9	1.00		GFA59R39	4P	2.6	1299	255.37	27	2.30			GFAF89	2.9	1164	228.93	27	2.50	GF89		3.3	1003	197.20	27	2.90	GFF89	4P	6.6	482	201	10	1.30	GFA59R39		4P	3.3	1021	270.68	27	2.80			GFA89	6P	7.3	434	181	10				1.45	GF59R39	4P	3.5	963		255.37		28		3.00	GFAF89	3.9	863	228.93	28	3.30		GF89							7.6	420	175	5.7	1.00	GFA49R19	4P	9.0	352	147	6.4	1.20	GFA49R19		4P	9.0	352	147	6.4	1.20			GFAF49R19	10	312	130	6.8	1.35		GF49R19							2.4	1377	270.68	27	2.10	GFA89	8P	10	312	130	6.8	1.35	GFF49R19		4P	2.6	1299	255.37	27	2.30			GFAF89	2.9	1164	228.93	27	2.50		GF89	3.3	1003	197.20	27	2.90	GFF89	4P	5.1	628	262	8.7	1.00	GFA59R39		4P	3.3	1021	270.68	27	2.80			GFA89	6P	5.9	542	226	9.3				1.15		GFA59R39	4P	3.5		963		255.37		28	3.00		GFAF89	3.9	863	228.93	28		3.30	GF89																																																																																																																																																																																																																																																																																																																																																																																																																																		
							2.4	1377	270.68	27	2.10	GFA89	8P	5.2	611	255	8.9	1.00		GFA59R39	4P	2.6	1299	255.37		27		2.30	GFAF89	2.9	1164	228.93	27		2.50	GF89	3.3	1003	197.20	27	2.90	GFF89	4P	6.6	482	201	10	1.30		GFA59R39	4P	3.3	1021	270.68	27			2.80	GFA89	6P	7.3	434			181		10	1.45	GF59R39	4P	3.5			963	255.37		28	3.00	GFAF89	3.9	863	228.93		28	3.30	GF89							7.6	420	175	5.7	1.00	GFA49R19	4P	9.0	352	147	6.4	1.20		GFA49R19	4P	9.0	352	147	6.4			1.20	GFAF49R19	10	312	130	6.8		1.35	GF49R19							2.4	1377	270.68	27	2.10	GFA89	8P	10	312	130	6.8	1.35		GFF49R19	4P	2.6	1299	255.37	27			2.30	GFAF89	2.9	1164	228.93	27		2.50	GF89	3.3	1003	197.20	27	2.90	GFF89	4P	5.1	628	262	8.7	1.00		GFA59R39	4P	3.3	1021	270.68	27			2.80	GFA89	6P	5.9	542			226		9.3	1.15	GFA59R39	4P	3.5			963		255.37		28	3.00	GFAF89		3.9	863	228.93	28		3.30	GF89																																																																																																																																																																																																																																																																																																																																																																																																																																								
2.4	1377	270.68	27	2.10	GFA89	8P	5.2	611	255	8.9	1.00	GFA59R39		4P																																																																																																																																																																																																																																																																																																																																																																																																																																																																																																																																																																																																																																												
2.6	1299	255.37	27	2.30	GFAF89		2.9	1164	228.93	27	2.50	GF89			3.3	1003	197.20	27	2.90	GFF89		4P	6.6	482	201	10	1.30	GFA59R39	4P	3.3	1021	270.68	27	2.80	GFA89	6P	7.3	434	181	10	1.45	GF59R39		4P	3.5	963	255.37	28		3.00		GFAF89	3.9	863	228.93		28	3.30	GF89								7.6	420	175		5.7	1.00	GFA49R19	4P	9.0	352	147	6.4	1.20	GFA49R19	4P	9.0	352	147	6.4	1.20	GFAF49R19	10	312	130	6.8	1.35	GF49R19								2.4	1377	270.68	27	2.10	GFA89		8P	10	312	130	6.8	1.35	GFF49R19	4P	2.6	1299	255.37	27	2.30	GFAF89	2.9	1164	228.93	27	2.50	GF89	3.3	1003	197.20	27	2.90	GFF89	4P		5.1	628	262	8.7	1.00	GFA59R39	4P		3.3	1021	270.68	27	2.80	GFA89	6P	5.9	542	226	9.3	1.15	GFA59R39	4P	3.5	963	255.37	28	3.00	GFAF89	3.9		863	228.93	28	3.30	GF89																																																																																																																																																																																																																																																																																																																																																																																																																																																																																
2.9	1164	228.93	27	2.50	GF89		3.3	1003	197.20	27	2.90	GFF89	4P		6.6	482	201	10	1.30	GFA59R39	4P		3.3	1021	270.68	27	2.80	GFA89		6P	7.3	434	181	10	1.45		GF59R39	4P	3.5	963	255.37	28			3.00	GFAF89	3.9	863		228.93	28	3.30	GF89							7.6	420	175	5.7	1.00	GFA49R19	4P	9.0	352	147	6.4	1.20	GFA49R19	4P		9.0	352	147	6.4	1.20	GFAF49R19		10	312	130	6.8	1.35	GF49R19							2.4	1377	270.68	27	2.10	GFA89	8P	10	312	130	6.8	1.35	GFF49R19	4P		2.6	1299	255.37	27	2.30	GFAF89		2.9	1164	228.93	27	2.50	GF89	3.3	1003	197.20	27	2.90	GFF89	4P	5.1	628	262	8.7	1.00		GFA59R39	4P	3.3	1021	270.68	27	2.80		GFA89	6P	5.9	542	226	9.3	1.15		GFA59R39	4P	3.5	963	255.37	28		3.00	GFAF89	3.9	863	228.93	28	3.30		GF89																																																																																																																																																																																																																																																																																																																																																																																																																																																																																				
3.3	1003	197.20	27	2.90	GFF89	4P	6.6	482	201	10	1.30	GFA59R39		4P																																																																																																																																																																																																																																																																																																																																																																																																																																																																																																																																																																																																																																												
3.3	1021	270.68	27	2.80	GFA89		6P	7.3	434	181	10	1.45			GF59R39	4P																																																																																																																																																																																																																																																																																																																																																																																																																																																																																																																																																																																																																																										
3.5	963	255.37	28	3.00	GFAF89			3.9	863	228.93	28	3.30			GF89									7.6	420	175	5.7	1.00	GFA49R19	4P	9.0	352	147	6.4	1.20	GFA49R19	4P	9.0	352	147	6.4	1.20	GFAF49R19	10	312	130	6.8	1.35	GF49R19							2.4	1377	270.68	27	2.10	GFA89	8P	10	312	130	6.8	1.35	GFF49R19	4P	2.6	1299	255.37	27	2.30	GFAF89	2.9	1164	228.93	27	2.50	GF89	3.3	1003	197.20	27	2.90	GFF89	4P	5.1	628	262	8.7	1.00	GFA59R39	4P	3.3	1021	270.68	27	2.80	GFA89	6P	5.9	542	226	9.3	1.15	GFA59R39	4P	3.5	963	255.37	28	3.00	GFAF89	3.9	863	228.93	28	3.30	GF89																																																																																																																																																																																																																																																																																																																																																																																																																																																																																																																																	
3.9	863	228.93	28	3.30	GF89										7.6		420	175	5.7	1.00	GFA49R19	4P	9.0	352	147	6.4	1.20	GFA49R19	4P		9.0	352	147	6.4	1.20	GFAF49R19		10	312	130	6.8	1.35	GF49R19							2.4	1377	270.68	27	2.10	GFA89	8P	10	312	130	6.8	1.35		GFF49R19	4P	2.6	1299	255.37	27		2.30	GFAF89	2.9	1164	228.93	27	2.50	GF89	3.3	1003	197.20	27	2.90	GFF89	4P	5.1	628	262		8.7	1.00	GFA59R39	4P	3.3	1021		270.68	27	2.80	GFA89	6P	5.9		542	226	9.3	1.15	GFA59R39	4P		3.5	963	255.37	28	3.00	GFAF89	3.9	863	228.93	28	3.30	GF89																																																																																																																																																																																																																																																																																																																																																																																																																																																																																																																																	
							7.6	420	175	5.7	1.00	GFA49R19	4P	9.0	352	147	6.4	1.20	GFA49R19	4P	9.0		352	147	6.4	1.20	GFAF49R19	10			312	130	6.8	1.35	GF49R19								2.4	1377	270.68	27	2.10	GFA89	8P	10	312	130	6.8	1.35	GFF49R19		4P	2.6	1299	255.37	27		2.30		GFAF89	2.9	1164	228.93		27	2.50	GF89	3.3	1003	197.20	27	2.90	GFF89	4P	5.1	628	262	8.7		1.00	GFA59R39	4P		3.3	1021	270.68		27	2.80		GFA89	6P	5.9	542		226		9.3	1.15	GFA59R39	4P	3.5			963	255.37	28	3.00	GFAF89	3.9	863	228.93	28	3.30	GF89																																																																																																																																																																																																																																																																																																																																																																																																																																																																																																																																		
7.6	420	175	5.7	1.00	GFA49R19	4P	9.0	352	147	6.4	1.20	GFA49R19		4P																																																																																																																																																																																																																																																																																																																																																																																																																																																																																																																																																																																																																																												
9.0	352	147	6.4	1.20	GFAF49R19		10	312	130	6.8	1.35	GF49R19										2.4	1377	270.68	27	2.10	GFA89	8P	10	312	130	6.8	1.35	GFF49R19	4P	2.6	1299	255.37	27	2.30	GFAF89	2.9	1164	228.93	27	2.50	GF89	3.3		1003	197.20	27	2.90	GFF89	4P	5.1		628	262	8.7	1.00	GFA59R39	4P	3.3	1021	270.68	27	2.80	GFA89	6P	5.9	542	226	9.3	1.15	GFA59R39	4P	3.5		963	255.37	28	3.00		GFAF89	3.9			863	228.93	28		3.30	GF89																																																																																																																																																																																																																																																																																																																																																																																																																																																																																																																																																												
10	312	130	6.8	1.35	GF49R19								2.4		1377	270.68	27	2.10	GFA89	8P	10	312	130	6.8	1.35	GFF49R19	4P		2.6	1299	255.37	27	2.30	GFAF89		2.9	1164	228.93	27	2.50	GF89	3.3	1003	197.20	27	2.90	GFF89	4P	5.1	628	262	8.7	1.00	GFA59R39		4P	3.3	1021	270.68	27	2.80	GFA89		6P	5.9	542	226	9.3	1.15		GFA59R39	4P	3.5	963	255.37	28		3.00		GFAF89	3.9	863	228.93		28	3.30		GF89																																																																																																																																																																																																																																																																																																																																																																																																																																																																																																																																																																		
						2.4	1377	270.68	27	2.10	GFA89	8P	10	312	130	6.8	1.35	GFF49R19	4P		2.6	1299	255.37	27	2.30	GFAF89			2.9	1164	228.93	27	2.50	GF89		3.3	1003	197.20	27	2.90	GFF89	4P	5.1	628	262	8.7	1.00		GFA59R39	4P	3.3	1021	270.68	27			2.80	GFA89	6P	5.9	542	226			9.3	1.15	GFA59R39	4P	3.5		963		255.37	28	3.00	GFAF89		3.9		863	228.93	28	3.30	GF89																																																																																																																																																																																																																																																																																																																																																																																																																																																																																																																																																																						
2.4	1377	270.68	27	2.10	GFA89	8P	10	312	130	6.8	1.35		GFF49R19	4P																																																																																																																																																																																																																																																																																																																																																																																																																																																																																																																																																																																																																																												
2.6	1299	255.37	27	2.30	GFAF89		2.9	1164	228.93	27	2.50		GF89		3.3	1003	197.20	27		2.90	GFF89	4P	5.1	628	262	8.7	1.00	GFA59R39	4P	3.3	1021	270.68	27	2.80	GFA89	6P	5.9	542	226	9.3	1.15		GFA59R39	4P	3.5	963	255.37		28		3.00	GFAF89	3.9	863			228.93	28		3.30	GF89																																																																																																																																																																																																																																																																																																																																																																																																																																																																																																																																																																																													
2.9	1164	228.93	27	2.50	GF89		3.3	1003	197.20	27	2.90	GFF89	4P		5.1	628	262	8.7	1.00	GFA59R39	4P		3.3	1021	270.68	27	2.80	GFA89		6P	5.9	542	226	9.3	1.15		GFA59R39	4P	3.5	963	255.37		28		3.00	GFAF89	3.9		863		228.93	28	3.30	GF89																																																																																																																																																																																																																																																																																																																																																																																																																																																																																																																																																																																																				
3.3	1003	197.20	27	2.90	GFF89	4P	5.1	628	262	8.7	1.00	GFA59R39		4P																																																																																																																																																																																																																																																																																																																																																																																																																																																																																																																																																																																																																																												
3.3	1021	270.68	27	2.80	GFA89		6P	5.9	542	226	9.3	1.15			GFA59R39	4P																																																																																																																																																																																																																																																																																																																																																																																																																																																																																																																																																																																																																																										
3.5	963	255.37	28	3.00	GFAF89			3.9	863	228.93	28	3.30			GF89																																																																																																																																																																																																																																																																																																																																																																																																																																																																																																																																																																																																																																											
3.9	863	228.93	28	3.30	GF89																																																																																																																																																																																																																																																																																																																																																																																																																																																																																																																																																																																																																																																					

选型参数表

(恒功率) 0.55kW-0.75kW

Selection Table

(Constant Power) 0.55kW-0.75kW

n_a [r/min]	M_a [Nm]	i	F_{Ra} [kN]	f_B	机型号 Type size	极数 Pole	n_a [r/min]	M_a [Nm]	i	F_{Ra} [kN]	f_B	机型号 Type size	极数 Pole
0.55kW							0.75kW						
3.9	1266	225.79	16	1.15								GFA159R99	
4.5	1112	198.31	17	1.30	GFA79		0.50	12928	2780	108	1.45	GFAF159R99	4P
4.7	1056	188.40	17	1.35	GFAF79	6P						GF159R99	
5.3	933	166.47	17	1.55	GF79							GFF159R99	
6.3	798	142.27	18	1.80	GFF79		0.57	11287	2427	110	1.70	GFA159R99	
6.8	731	130.42	18	1.95			0.83	7785	1674	114	2.40	GFAF159R99	4P
6.2	811	225.79	18	1.70			1.1	6083	1308	114	3.10	GF159R99	
7.0	712	198.31	18	1.95			1.2	5436	1169	114	3.50	GFF159R99	
7.4	676	188.40	18	2.10	GFA79	4P	0.46	14082	3028	83	0.85	GFA129R79	4P
8.3	598	166.47	18	2.30	GFAF79							GFAF129R79	
9.8	511	142.27	19	2.70	GF79							GF129R79	
11	468	130.42	19	3.00	GFF79							GFF129R79	
12	411	114.45	19	3.40			0.52	12412	2669	85	0.95	GFA129R79	
13	389	108.46	19	3.60			0.59	10947	2354	86	1.10	GFAF129R79	4P
15	341	94.93	19	4.10			0.68	9464	2035	86	1.25	GF129R79	
7.1	701	195.39	10	1.10			0.78	8287	1782	86	1.45	GFF129R79	
8.1	613	170.85	11	1.25			0.87	7464	1605	86	1.60		
8.6	583	162.31	11	1.30	GFA69		0.76	8492	1826	46	0.90		
9.8	511	142.40	12	1.50	GFAF69	4P	0.87	7427	1597	48	1.05		
12	434	120.79	12	1.75	GF69		0.99	6515	1401	50	1.20	GFA109R79	
13	391	109.04	12	1.95	GFF69		1.1	5781	1243	52	1.35	GFAF109R79	4P
14	344	95.94	12	2.20			1.3	5055	1087	53	1.50	GF109R79	
15	325	90.59	12	2.30			1.5	4418	950	55	1.75	GFF109R79	
17	286	79.76	12	2.70			1.7	3878	834	56	2.00		
8.8	564	157.09	8.7	1.00			2.2	2976	640	57	2.60		
10	489	136.16	9.3	1.15			3.2	2028	436	59	3.85		
11	457	127.27	9.5	1.20	GFA59		1.4	4753	1022	22	0.90		
13	395	110.01	10	1.40	GFAF59	4P	1.5	4176	898	29	1.00		
15	336	93.47	10	1.65	GF59		1.8	3651	785	30	1.20	GFA99R59	
17	300	83.46	10	1.85	GFF59		2.0	3209	690	31	1.35	GFAF99R59	4P
19	262	72.98	11	2.10			2.3	2814	605	32	1.55	GF99R59	
20	245	68.22	11	2.30			2.6	2460	529	33	1.75	GFF99R59	
24	212	58.97	11	2.60			3.0	2172	467	33	2.00		
13	377	105.09	5.5	1.00			3.4	1888	406	34	2.30		
16	321	89.29	6.3	1.15			3.8	1688	363	34	2.55		
17	286	79.72	6.6	1.30	GFA49		2.1	3134	674	14	0.95	GFA89R59	
20	244	68.09	7.0	1.50	GFAF49	4P	2.3	2832	609	22	1.05	GFAF89R59	4P
21	235	65.36	7.1	1.60	GF49		2.7	2395	515	24	1.25	GF89R59	
25	203	56.49	7.3	1.85	GFF49		3.1	2102	452	25	1.45	GFF89R59	
29	172	48.00	7.3	2.20			4.0	1604	345	26	1.85		
32	154	42.86	7.5	2.40			3.8	1707	367	13	0.85	GFA79R39	
24	209	58.32	3.7	0.90			4.3	1502	323	15	1.00	GFAF79R39	4P
25	196	54.54	3.9	0.95			5.0	1302	280	16	1.15	GF79R39	
27	186	51.70	4.1	1.00								GFF79R39	
30	169	47.02	4.3	1.10	GFA39							GFA109	
32	158	43.95	4.4	1.20	GFAF39	4P						GFAF109	8P
36	138	38.31	4.7	1.35	GF39		2.7	2509	254.40	58	3.00	GF109	
39	129	35.91	4.7	1.45	GFF39							GFF109	
44	114	31.69	4.7	1.65			2.5	2729	276.77	32	1.55	GFA99	
49	101	28.10	4.6	1.85			2.7	2499	253.41	32	1.70	GFAF99	8P
58	86	23.88	4.5	2.20			3.1	2208	223.88	33	1.90	GF99	
59	85	23.63	4.5	2.20								GFF99	
68	74	20.57	4.3	2.50	GFA39	4P	3.3	2070	276.77	33	1.95	GFA99	
72	69	19.27	4.2	2.70	GFAF39		3.6	1895	253.41	34	2.10	GFAF99	6P
82	61	17.03	4.1	3.00	GF39		4.1	1674	223.88	34	2.40	GF99	
97	51	14.33	3.9	3.60	GFF39							GFF99	

GF 系列平行轴-斜齿轮减速电机

选型参数表

(恒功率) 0.75kW-1.1kW

Selection Table

(Constant Power) 0.75kW-1.1kW

n_a [r/min]	M_a [Nm]	i	F_{Ra} [kN]	f_B	机型号 Type size	极数 Pole	n_a [r/min]	M_a [Nm]	i	F_{Ra} [kN]	f_B	机型号 Type size	极数 Pole
0.75kW							0.75kW						
3.4	2024	270.68	25	1.40			59	112	23.63	4.2	1.65		
3.6	1909	255.37	25	1.50	GFA89		68	98	20.57	4.1	1.85	GFA39	
4.0	1712	228.93	26	1.65	GFAF89	6P	72	91	19.27	4.0	2.00	GFAF39	4P
4.6	1475	197.20	26	1.90	GF89		82	81	17.03	3.9	2.30	GF39	
5.1	1346	179.97	27	2.10	GFF89		97	68	14.33	3.8	2.70	GFF39	
5.7	1193	159.61	27	2.40			108	61	12.87	3.7	3.00		
5.1	1325	270.68	27	2.10	GFA89	4P	1.1kW						
5.4	1250	255.37	27	2.30	GFAF89							GFA159R99	4P
6.1	1121	228.93	27	2.50	GF89		0.50	18826	2780	95	0.95	GFAF159R99	
					GFF89						GF159R99		
4.6	1483	198.31	14	0.95	GFA79	6P						GFF159R99	
4.8	1409	188.40	15	1.00	GFAF79		0.58	16436	2427	101	1.10		
5.5	1245	166.47	16	1.15	GF79		0.64	14797	2185	104	1.20		
6.4	1064	142.27	17	1.30	GFF79		0.72	13165	1944	107	1.35		
7.0	975	130.42	17	1.45			0.84	11336	1674	110	1.60	GFA159R99	4P
6.2	1325	225.79	17	1.30	GFA79	1.1	8858	1308	113	2.00	GFAF159R99		
7.0	1250	198.31	17	1.45	GFAF79	1.2	7916	1169	114	2.25	GF159R99		
7.4	1121	188.40	17	1.55	GF79	1.5	6454	953	114	2.75	GFF159R99		
					GFF79	1.7	5722	845	114	3.15			
8.3	971	166.47	18	1.75	GFA79	4P	3.1	3020	446	114	5.95		
9.8	922	142.27	18	2.00	GFAF79		4.6	2045	302	114	8.65		
11	815	130.42	18	2.20	GF79		0.69	13781	2035	83	0.85		
12	696	114.45	19	2.50	GFF79	0.79	12068	1782	86	1.00	GFA129R79	4P	
13	638	108.46	19	2.70		0.87	10869	1605	86	1.10	GFAF129R79		
						1.0	9406	1389	86	1.25	GF129R79		
8.1	810	170.85	9.2	0.90	GFA69	4P	1.1	8255	1219	86	1.45	GFF129R79	
8.6	769	162.31	10	0.95	GFAF69		1.3	7280	1075	86	1.65		
9.8	675	142.40	10	1.10	GF69		1.1	8418	1243	46	0.95		
12	573	120.79	11	1.30	GFF69		1.3	7361	1087	48	1.05	GFA109R79	
							1.5	6433	950	50	1.20	GFAF109R79	
13	517	109.04	11	1.45		4P	1.7	5648	834	52	1.40	GF109R79	
14	455	95.94	12	1.65	GFA69		1.9	4984	736	54	1.55	GFF109R79	
15	429	90.59	12	1.75	GFAF69		2.2	4334	640	55	1.80		
17	378	79.76	12	2.00	GF69		1.1	8418	1243	46	0.95		
21	321	67.65	12	2.30	GFF69		1.3	7361	1087	48	1.05	GFA109R79	
23	290	61.07	12	2.60		1.5	6433	950	50	1.20	GFAF109R79		
11	603	127.27	5.0	0.90		4P	1.7	5648	834	52	1.40	GF109R79	
13	522	110.01	8.9	1.05			1.9	4984	736	54	1.55	GFF109R79	
15	443	93.47	10	1.25	GFA59		2.0	4673	690	26	0.90		
17	396	83.46	10	1.40	GFAF59		2.3	4097	605	29	1.05	GFA99R59	
19	346	72.98	10	1.60	GF59		2.6	3582	529	30	1.20	GFAF99R59	
20	323	68.22	10	1.70	GFF59		3.0	3163	467	31	1.35	GF99R59	
24	280	58.97	11	1.95			3.4	2749	406	32	1.55	GFF99R59	
28	238	50.10	11	2.30			3.9	2458	363	33	1.75		
31	212	44.73	11	2.60			3.1	3061	452	16	1.00	GFA89R59	
							4.1	2336	345	24	1.30	GFAF89R59	
17	378	79.72	4.8	0.95	GFA49	4P	4.7	2032	300	25	1.50	GF89R59	
20	323	68.09	6.2	1.15	GFAF49		5.6	1686	249	26	1.80	GFF89R59	
21	310	65.36	6.3	1.20	GF49								
					GFF49	2.7	3679	254.40	56	1.95	GFA109		
25	268	56.49	6.8	1.35		4P	3.2	3115	215.37	57	2.30	GFAF109	
29	228	48.00	7.1	1.60	GFA49		3.5	2883	199.31	57	2.50	GF109	
32	203	42.86	7.3	1.80	GFAF49		3.9	2584	178.64	58	2.80	GFF109	
38	174	36.61	7.4	2.10	GF49		3.3	3035	276.77	31	1.35	GFA99	
41	163	34.29	7.5	2.20	GFF49	6P	3.6	3719	253.41	32	1.50	GFAF99	
48	137	28.88	7.2	2.70			4.1	2455	223.88	33	1.70	GF99	
							4.8	2787	189.92	33	2.00	GFF99	
							5.2	1918	174.87	34	2.20		
30	223	47.02	3.4	0.80		4P	5.1	1973	276.77	33	2.10	GFA99	
32	208	43.95	3.7	0.90	GFA39		5.5	1806	253.41	34	2.30	GFAF99	
36	182	38.31	4.1	1.00	GFAF39		6.3	1596	223.88	34	2.60	GF99	
39	170	35.91	4.3	1.05	GF39							GFF99	
44	150	31.69	4.4	1.20	GFF39								
49	133	28.10	4.3	1.35									

选型参数表
(恒功率) 1.1kW-1.5kW
Selection Table
(Constant Power) 1.1kW-1.5kW

n_a [r/min]	M_a [Nm]	i	F_{Ra} [kN]	f_B	机型号 Type size	极数 Pole	n_a [r/min]	M_a [Nm]	i	F_{Ra} [kN]	f_B	机型号 Type size	极数 Pole
1.1kW							1.1kW						
3.4	2968	270.68	15	0.95			44	226	31.69	3.5	0.85	GFA39	
3.6	2801	255.37	22	1.05	GFA89		50	200	28.10	3.8	0.95	GFAF39	4P
4.0	2511	228.93	23	1.15	GFAF89	6P	59	170	23.88	3.7	1.10	GF39	
4.6	2163	197.20	24	1.35	GF89							GFF39	
5.1	1974	179.97	25	1.45	GFF89		68	147	20.57	3.7	1.30		
5.7	1750	159.61	26	1.65			73	137	19.27	3.6	1.40		
5.2	1930	270.68	25	1.50	GFA89		82	121	17.03	3.6	1.55	GFA39	
5.5	1820	255.37	25	1.55	GFAF89	4P	98	102	14.33	3.5	1.85	GFAF39	4P
6.1	1632	228.93	26	1.75	GF89		109	92	12.87	3.4	2.10	GF39	
7.1	1406	197.20	27	2.00	GFF89		126	79	11.08	3.3	2.30	GFF39	
7.8	1283	179.97	27	2.20	GFA89		134	74	10.42	3.3	2.40		
8.8	1138	159.61	27	2.50	GFAF89	4P	156	64	8.97	3.2	2.60		
10	956	134.16	28	3.00	GF89		1.5kW						
11	879	123.29	28	3.20	GFF89		0.58	22412	2427	82	0.80		
7.1	1414	198.31	15	1.00	GFA79		0.64	20177	2185	90	0.90		
7.4	1343	188.40	15	1.05	GFAF79	4P	0.72	17952	1944	97	1.00		
8.4	1187	166.47	16	1.20	GF79		0.84	15459	1674	102	1.15	GFA159R99	
9.8	1014	142.27	17	1.40	GFF79		1.1	12079	1308	109	1.50	GFAF159R99	4P
11	930	130.42	17	1.55			1.2	10795	1169	111	1.65	GF159R99	
12	816	114.45	18	1.75	GFA79	4P	1.5	8800	953	113	2.05	GFF159R99	
13	773	108.46	18	1.85	GFAF79		1.7	7803	845	114	2.30		
15	677	94.93	18	2.10	GF79	4P	3.1	4119	446	114	4.35		
16	610	85.52	18	2.30	GFF79		4.6	2789	302	114	6.35		
19	535	75.02	19	2.70			0.87	14821	1605	81	0.80		
12	861	120.79	9.0	0.90			1.0	12827	1389	85	0.95		
13	777	109.04	10	1.00			1.1	11257	1219	86	1.05	GFA129R79	
15	684	95.94	11	1.15			1.3	9927	1075	86	1.20	GFAF129R79	4P
15	646	90.59	11	1.20	GFA69		1.5	8579	929	86	1.40	GF129R79	
18	569	79.76	11	1.35	GFAF69	4P	1.7	7563	819	86	1.60	GFF129R79	
21	482	67.65	12	1.60	GF69		1.9	6704	726	86	1.80		
23	435	61.07	12	1.80	GFF69		2.2	5975	647	86	2.05		
26	383	53.73	12	2.00			1.5	8773	950	45	0.90		
28	362	50.74	12	2.20			1.7	7702	834	47	1.00		
32	308	43.20	12	2.50			1.9	6797	736	50	1.15	GFA109R79	
36	280	39.26	12	2.70			2.2	5910	640	52	1.30	GFAF109R79	4P
41	242	34.01	12	2.90			2.5	5171	560	53	1.50	GF109R79	
17	595	83.46	8.0	0.95			2.9	4516	489	55	1.75	GFF109R79	
19	520	72.98	9.1	1.10			3.2	4026	436	55	1.95		
21	486	68.22	9.3	1.15	GFA59	4P	3.8	3417	370	57	2.30		
24	420	58.97	10	1.35	GFAF59		2.6	4885	529	19	0.90	GFA99R59	
28	357	50.10	10	1.60	GF59		3.0	4313	467	28	1.00	GFAF99R59	4P
31	319	44.73	10	1.80	GFF59		3.4	3749	406	30	1.15	GF99R59	
37	272	38.21	10	2.10			3.9	3352	363	31	1.30	GFF99R59	
39	255	35.79	10	2.20								GFA89R59	
46	215	30.15	9.3	2.60			4.7	2770	300	23	1.10	GFAF89R59	4P
					GFA49		5.6	2299	249	24	1.30	GF89R59	
25	403	56.49	3.5	0.95	GFAF49	4P						GFF89R59	
29	342	48.00	6.1	1.10	GF49		2.7	5091	254.40	53	1.50	GFA109	
					GFF49		3.2	4310	215.37	55	1.75	GFAF109	
33	306	42.86	6.5	1.25			3.4	3989	199.31	55	1.90	GF109	8P
38	261	36.61	6.9	1.45	GFA49	4P	3.8	3575	178.64	56	2.10	GFF109	
41	244	34.29	6.9	1.55	GFAF49		3.7	3683	254.40	56	1.95	GFA109	
48	206	28.88	6.7	1.85	GF49		4.4	3118	215.37	57	2.30	GFAF109	
					GFF49		4.7	2885	199.31	57	2.50	GF109	6P
45	220	30.86	6.8	1.75			5.3	2586	178.64	58	2.80	GFF109	
48	209	29.32	6.7	1.80	GFA49	4P							
54	183	25.72	6.5	2.10	GFAF49								
64	156	21.82	6.3	2.40	GF49								
71	140	19.70	6.2	2.70	GFF49								

选型参数表

Selection Table

(恒功率) 1.5kW-2.2kW

(Constant Power) 1.5kW-2.2kW

n_a [r/min]	M_a [Nm]	i	F_{Ra} [kN]	f_B	机型号 Type size	极数 Pole	n_a [r/min]	M_a [Nm]	i	F_{Ra} [kN]	f_B	机型号 Type size	极数 Pole
1.5kW							1.5kW						
3.4	4007	276.77	28	1.00	GFA99	6P	33	417	42.86	0.5	0.90	GFA49	4P
3.7	3669	253.41	29	1.10	GFAF99		38	356	36.61	6.0	1.10	GFAF49	
4.2	3241	223.88	30	1.25	GF99		41	333	34.29	6.3	1.15	GF49	
4.9	2750	189.92	32	1.45	GFF99		48	281	28.88	6.2	1.35	GFF49	
5.4	2532	174.87	32	1.60			45	300	30.86	6.2	1.30		
5.1	2690	276.77	32	1.55	GFA99	4P	48	285	29.32	6.2	1.35	GFA49	4P
5.5	2463	253.41	33	1.65	GFAF99		54	250	25.72	6.1	1.55	GFAF49	
6.3	2176	223.88	33	1.90	GF99		64	212	21.82	5.9	1.80	GF49	
7.4	1846	189.92	34	2.20	GFF99		71	191	19.70	5.8	2.00	GFF49	
8.0	1700	174.87	34	2.40			81	168	17.33	5.7	2.30		
5.2	2631	270.68	23	1.10	GFA89	4P	86	159	16.36	5.6	2.40	GFA49	4P
5.5	2482	255.37	23	1.15	GFAF89		101	135	13.93	5.4	2.80	GFAF49	
6.1	2225	228.93	24	1.30	GF89		68	200	20.57	3.2	0.95	GF49	
7.1	1917	197.20	25	1.50	GFF89		73	187	19.27	3.2	1.00	GFF49	
7.8	1749	179.97	26	1.65			82	166	17.03	3.2	1.15		
8.8	1551	159.61	26	1.85	GFA89	4P	98	139	14.33	3.2	1.35	GFA39	4P
10	1304	134.16	27	2.20	GFAF89		109	125	12.87	3.1	1.55	GFAF39	
13	1064	109.49	27	2.70	GF89		126	108	11.08	3.1	1.70	GF39	
14	952	97.89	28	3.00	GFF89		134	101	10.42	3.1	1.75	GFF39	
							156	87	8.97	3.0	1.90		
8.4	1618	166.47	14	0.90	GFA79	4P	174	78	8.03	2.9	2.10		
9.8	1383	142.27	15	1.05	GFAF79								
11	1268	130.42	16	1.15	GF79								
12	1113	114.45	17	1.30	GFF79								
13	1054	108.46	17	1.35		4P	0.99	19107	1441	93	0.95	GFA159R99	4P
15	923	94.93	17	1.55			GFAF159R99						
16	831	85.52	18	1.75			GF159R99						
19	729	75.02	18	1.95	GFA79		GFF159R99						
19	705	72.50	18	2.00	GFAF79								
21	646	66.46	18	2.20	GF79								
24	567	58.32	19	2.50	GFF79								
25	537	55.27	19	2.70									
29	470	48.37	19	3.00									
32	424	43.58	19	3.40									
37	372	38.23	19	3.90									
38	356	36.58	19	3.00	GFA79	4P							
44	306	31.51	19	4.30	GFAF79								
					GF79								
					GFF79								
15	881	90.59	8.8	0.90		4P	1.1	17344	1308	96	1.05		4P
18	775	79.76	10	1.00			1.2	15501	1169	101	1.15		
21	658	67.65	11	1.20	GFA69		1.5	12637	953	107	1.40		
23	594	61.07	11	1.30	GFAF69		1.7	11205	845	110	1.60		
26	522	53.73	12	1.50	GF69		1.9	10130	764	111	1.75	GFA159R99	
28	493	50.74	12	1.60	GFF69		2.1	9017	680	113	1.95	GFAF159R99	
32	420	43.20	12	1.85			2.5	7638	576	114	2.30	GF159R99	
36	382	39.26	12	1.95			3.2	5914	446	114	3.00	GFF159R99	
39	353	36.30	12	2.20	GFA69	4.7	4004	302	114	4.40			
44	312	32.08	12	2.50	GFAF69	5.2	3620	273	114	4.85			
51	266	27.41	12	2.90	GF69	6.2	3076	232	114	5.70			
56	244	25.13	12	3.20	GFF69	7.3	2612	197	114	6.90			
24	573	58.97	8.7	1.00		4P	1.3	14254	1075	81	0.85		4P
28	487	50.10	9.4	1.20	GFA59		1.5	12318	929	85	1.00		
31	435	44.73	9.5	1.30	GFAF59		1.7	10860	819	86	1.10	GFA129R79	
37	371	38.21	9.3	1.55	GF59		2.0	9627	726	86	1.25	GFAF129R79	
39	348	35.79	9.1	1.65	GFF59		2.2	8579	647	86	1.40	GF129R79	
							2.6	7266	548	86	1.65	GFF129R79	
							2.9	6550	494	86	1.80		
							3.3	5675	428	86	2.10		
						2.2	8486	640	45	0.90			
						2.6	7425	560	48	1.05	GFA109R79		
						2.9	6484	489	50	1.20	GFAF109R79		
						3.3	5781	436	51	1.35	GF109R79		
						3.9	4906	370	53	1.60	GFF109R79		
						4.3	4416	333	54	1.75			
						4P	5.0	3779	285	30	1.15	GFA99R59	4P
46	293	30.15	8.8	1.95			5.8	3249	245	31	1.30	GFAF99R59	
												GF99R59	
												GFF99R59	

选型参数表
(恒功率) 2.2kW-3kW
Selection Table
(Constant Power) 2.2kW-3kW

n_a [r/min]	M_a [Nm]	i	F_{Ra} [kN]	f_B	机型号 Type size	极数 Pole	n_a [r/min]	M_a [Nm]	i	F_{Ra} [kN]	f_B	机型号 Type size	极数 Pole
2.2kW							2.2kW						
2.8	7152	254.40	47	1.00	GFA109	8P	45	448	32.08	12	1.70		4P
3.3	6054	215.37	50	1.20	GFAF109		52	383	27.41	12	2.00	GFA69	
3.6	5603	199.31	51	1.30	GF109		57	351	25.13	12	2.20	GFAF69	
4.0	5022	178.64	53	1.45	GFF109		65	308	22.05	12	2.50	GF69	
3.7	5402	254.40	52	1.35	GFA109	6P	68	292	20.90	12	2.60	GFF69	
4.4	4573	215.37	54	1.60	GFAF109		78	255	18.29	12	3.00		
4.7	4232	199.31	55	1.70	GF109		32	624	44.73	4.3	0.90	GFA59	
5.3	3793	178.64	55	1.90	GFF109	4P	37	533	38.21	8.2	1.05	GFAF59	
5.6	3551	254.40	56	2.00	GFA109		40	500	35.79	8.2	1.15	GF59	
6.6	3006	215.37	57	2.40	GFAF109		47	421	30.15	8.0	1.30	GFF59	
7.2	2782	199.31	57	2.60	GF109	4P	57	348	24.96	7.8	1.55	GFA59	
8.0	2493	178.64	58	2.90	GFF109		68	295	21.17	7.6	1.90	GFAF59	
4.2	4754	223.88	12	0.85	GFA99		75	267	19.11	7.5	2.10	GF59	
4.9	4033	189.92	29	1.00	GFAF99	6P	85	235	16.81	7.3	2.40	GFF59	
5.4	3713	174.87	29	1.10	GF99		56	359	25.72	5.3	1.05		
6.0	3319	156.30	30	1.25	GFF99		66	305	21.82	5.2	1.25		
5.2	3863	276.77	29	1.05		4P	73	275	19.70	5.2	1.35	GFA49	
5.6	3537	253.41	30	1.15			83	242	17.33	5.1	1.55	GFAF49	
6.4	3125	223.88	31	1.30	GFA99		87	228	16.36	5.1	1.65	GF49	
7.5	2651	189.92	32	1.50	GFAF99		103	194	13.93	5.0	1.95	GFF49	
8.2	2441	174.87	32	1.65	GF99		113	177	12.66	4.9	2.10		
9.1	2182	156.30	33	1.85	GFF99		130	153	10.97	4.8	2.50		
10	1964	140.71	33	2.00			159	125	8.97	4.5	2.50		
11	1778	127.42	34	2.30		100	200	14.33	2.7	0.95			
7.3	2752	197.20	21	1.00		4P	111	180	12.87	2.7	1.05		
7.9	2512	179.97	23	1.10			129	155	11.08	2.7	1.15		
9.0	2228	159.61	24	1.25			137	145	10.42	2.7	1.20		
11	1873	134.16	25	1.50			159	125	8.97	2.7	1.30	GFA39	
12	1721	123.29	26	1.65			178	112	8.03	2.6	1.40	GFAF39	
13	1528	109.49	26	1.85	GFA89		212	94	6.76	2.5	1.40	GF39	
15	1366	97.89	27	2.10	GFAF89		236	85	6.07	2.5	1.50	GFF39	
16	1228	88.01	27	2.30	GF89		273	73	5.23	2.4	1.60		
19	1066	76.39	26	2.60	GFF89		291	69	4.92	2.4	1.65		
21	955	68.40	26	2.90			338	59	4.23	2.3	1.75		
25	792	56.75	25	3.50			378	53	3.78	2.3	1.85		
28	703	50.36	24	3.90			3kW						
32	632	45.28	23	4.20			1.2	22250	1169	83	0.85		4P
12	1597	114.45	13	0.90	GFA79	1.5	18139	953	96	1.05			
13	1514	108.46	14	0.95	GFAF79	1.7	16083	845	101	1.15			
15	1325	94.93	15	1.05	GF79	1.9	14541	764	105	1.30	GFA159R99		
17	1194	85.52	16	1.20	GFF79	2.1	12943	680	108	1.45	GFAF159R99		
19	1047	75.02	17	1.35		2.5	10963	576	111	1.70	GF159R99		
22	928	66.46	17	1.50	GFA79	3.2	8489	446	114	2.20	GFF159R99		
25	814	58.32	18	1.75	GFAF79	4.7	5748	302	114	3.20			
26	771	55.27	18	1.80	GF79	5.2	5196	273	114	3.55			
30	675	48.37	18	2.10	GFF79	6.2	4416	232	114	4.20			
33	608	43.58	18	2.30		7.3	3750	197	114	5.05			
39	511	36.58	19	2.00	GFA79	2.0	13818	726	83	0.90	GFA129R79		
45	440	31.51	19	2.90	GFAF79	2.2	12314	647	86	1.05	GFAF129R79		
50	401	28.75	19	3.30	GF79	2.6	10430	548	86	1.20	GF129R79		
56	356	25.50	19	4.00	GFF79	2.9	9402	494	86	1.35	GFF129R79		
23	852	61.07	8.9	0.90		3.3	8298	436	46	1.00	GFA109R79		
27	750	53.73	10	1.00	GFA69	3.9	7042	370	49	1.15	GFAF109R79		
28	708	50.74	10	1.10	GFAF69	4.3	6338	333	51	1.30	GF109R79		
33	603	43.20	11	1.25	GF69	4.9	5539	291	53	1.45	GFF109R79		
36	548	39.26	11	1.35	GFF69								
42	475	34.01	12	1.45									

GF 系列平行轴-斜齿轮减速电机

选型参数表

(恒功率) 3kW-4kW

Selection Table

(Constant Power) 3kW-4kW

n_a [r/min]	M_a [Nm]	i	F_{Ra} [kN]	f_B	机型号 Type size	极数 Pole	n_a [r/min]	M_a [Nm]	i	F_{Ra} [kN]	f_B	机型号 Type size	极数 Pole
3kW							3kW						
3.8	7213	254.40	47	1.00	GFA109	6P	106	257	13.52	6.5	2.20	GFA59	4P
4.5	6106	215.37	50	1.15	GFAF109		116	234	12.29	6.4	2.40	GFAF59	
4.8	5651	199.31	51	1.25	GF109		134	203	10.64	6.3	2.80	GF59	
5.4	5065	178.64	53	1.40	GFF109							GFF59	
5.6	4842	254.40	53	1.50	GFA109	4P	73	375	19.70	4.5	1.00	GFA49 GFAF49 GF49 GFF49	
6.6	4099	215.37	55	1.75	GFAF109		83	330	17.33	4.5	1.15		
7.2	3794	199.31	55	1.90	GF109		87	311	16.36	4.5	1.20		
8.0	3400	178.64	56	2.10	GFF109		103	265	13.93	4.5	1.40		
8.9	3070	161.28	57	2.30			113	241	12.66	4.5	1.55		
6.4	4261	223.88	28	0.95	GFA99 GFAF99 GF99 GFF99	4P	130	209	10.97	4.4	1.80		
7.5	3615	189.92	30	1.10			159	171	8.97	4.2	1.80		
8.2	3328	174.87	30	1.20			129	211	11.08	2.2	0.85		
9.1	2975	156.30	31	1.35			137	198	10.42	2.2	0.85		
10	2678	140.71	32	1.50			159	171	8.97	2.3	0.95		
11	2425	127.42	32	1.65			178	153	8.03	2.3	1.05		
13	2151	112.99	33	1.85			212	129	6.76	2.2	1.00		
14	1944	102.16	33	2.10			236	116	6.07	2.2	1.10		
16	1710	89.85	34	2.30	273	100	5.23	2.2	1.15				
11	2553	134.16	23	1.10	GFA89	4P	291	94	4.92	2.2	1.20		
12	2347	123.29	23	1.20	GFAF89		338	81	4.23	2.1	1.25		
13	2084	109.49	24	1.35	GF89		378	72	3.78	2.1	1.35		
					GFF89								
15	1863	97.89	25	1.50	GFA89 GFAF89 GF89 GFF89	4P	4kW						
16	1675	88.01	26	1.65			1.7	20230	845	87	0.90		
19	1454	76.39	25	1.90			1.9	18291	764	93	1.00		
21	1302	68.40	24	2.10			2.1	16280	680	99	1.10		
25	1080	56.75	24	2.60			2.5	13790	576	105	1.30		
28	959	50.36	23	2.80	3.2	10678	446	110	1.70				
17	1628	85.52	13	0.85	GFA79	4P	4.8	7230	302	114	2.45		
19	1428	75.02	15	1.00	GFAF79		5.3	6536	273	114	2.70		
22	1265	66.46	16	1.10	GF79		6.2	5554	232	114	3.20		
					GFF79		7.3	4716	197	114	3.85		
25	1110	58.32	17	1.25	GFA79 GFAF79 GF79 GFF79	4P	2.6	13120	548	83	0.90		
26	1052	55.27	17	1.35			2.9	11827	494	86	1.00		
30	921	48.37	17	1.50			3.4	10247	428	86	1.15		
33	829	43.58	18	1.70			3.8	8978	375	86	1.30		
37	728	38.23	18	1.90			4.3	7972	333	46	1.00		
39	696	36.58	18	1.50	GFA79 GFAF79 GF79 GFF79	4P	4.9	6967	291	49	1.10		
45	600	31.51	18	2.10			5.6	6105	255	51	1.30		
50	547	28.75	19	2.40			4.2	8601	170.64	86	1.30		
56	485	25.50	19	2.90			4.7	7737	153.50	86	1.45		
67	408	21.43	19	3.40	5.7	6312	125.23	86	1.80				
33	822	43.20	9	0.95	GFA69 GFAF69 GF69 GFF69	4P	5.7	6411	254.40	49	1.10		
36	747	39.26	10	0.95			6.7	5428	215.37	52	1.35		
42	647	34.01	11	1.05			7.2	5023	199.31	53	1.45		
45	611	32.08	11	1.25	GFA69 GFAF69 GF69 GFF69	4P	8.1	4502	178.64	54	1.60		
52	522	27.41	11	1.45			8.9	4064	161.28	55	1.75		
57	478	25.13	12	1.60			9.8	3692	146.49	56	1.95		
65	420	22.05	12	1.80			11	3275	129.97	56	2.20		
68	398	20.90	12	1.90			12	2972	117.94	57	2.40		
78	348	18.29	12	2.20			14	2555	101.38	58	2.80		
87	314	16.48	12	2.40			8.2	4407	174.87	25	0.90		
99	275	14.46	12	2.80			9.2	3939	156.30	29	1.00		
57	475	24.96	7.1	1.15	GFA59 GFAF59 GF59 GFF59	4P	10	3546	140.71	30	1.15		
68	403	21.17	7.0	1.40			11	3211	127.42	31	1.25		
75	364	19.11	6.9	1.55									
85	320	16.81	6.8	1.75									
90	302	15.88	6.7	1.85									

选型参数表
(恒功率) 4kW-5.5kW
Selection Table
(Constant Power) 4kW-5.5kW

n_a [r/min]	M_a [Nm]	i	F_{Ra} [kN]	f_B	机型号 Type size	极数 Pole	n_a [r/min]	M_a [Nm]	i	F_{Ra} [kN]	f_B	机型号 Type size	极数 Pole
4kW							5.5kW						
13	2848	112.99	32	1.40			2.5	18962	576	91	0.95		
14	2575	102.16	32	1.55	GFA99		2.9	16558	503	98	1.10		
15	2459	97.58	32	1.65	GFAF99		3.2	14682	446	103	1.25	GFA159R99	
16	2264	89.85	33	1.80	GF99	4P	4.1	11621	353	109	1.55	GFAF159R99	4P
18	2024	80.31	33	2.00	GFF99		4.8	9942	302	111	1.80	GF159R99	
20	1822	72.30	34	2.20			5.3	8987	273	112	1.95	GFF159R99	
22	1650	65.47	34	2.40			6.2	7637	232	114	2.30		
13	2759	109.49	21	1.00	GFA89		7.1	6650	202	114	2.65		
15	2467	97.89	23	1.15	GFAF89	4P	7.3	6485	197	114	2.80		
16	2218	88.01	23	1.25	GF89		3.4	13760	418	82	0.85		
					GFF89		3.8	12345	375	85	0.95	GFA129R89	
19	1925	76.39	23	1.45	GFA89		4.6	10271	312	86	1.15	GFAF129R89	4P
21	1724	68.40	23	1.65	GFAF89		4.9	9645	293	86	1.25	GF129R89	
25	1430	56.75	22	1.95	GF89	4P	5.6	8526	259	86	1.40	GFF129R89	
29	1269	50.36	22	2.20	GFF89		6.5	7341	223	86	1.60		
32	1141	45.28	21	2.30			3.4	14089	428	81	0.85	GFA129R79	
22	1675	66.46	13	0.85	GFA79		3.8	12345	375	85	0.95	GFAF129R79	4P
25	1470	58.32	14	0.95	GFAF79	4P						GF129R79	
26	1393	55.27	15	1.00	GF79							GFF129R79	
30	1219	48.37	16	1.15	GFF79		2.7	18534	267.43	90	0.90		
33	1098	43.58	17	1.30	GFA79		3.3	15082	217.62	100	1.10		
38	963	38.23	17	1.45	GFAF79		4.0	12350	178.20	106	1.35		
43	850	33.74	18	1.65	GF79	4P	4.4	11294	162.96	108	1.50	GFA159	
48	754	29.91	18	1.85	GFF79		5.1	9827	141.80	111	1.70	GFAF159	
56	644	25.54	18	2.10			5.8	8673	125.14	112	1.90	GF159	8P
46	794	31.51	18	1.65	GFA79		6.6	7519	108.49	114	2.20	GFF159	
50	725	28.75	18	1.85	GFAF79	4P	7.5	6690	96.53	114	2.50		
56	643	25.50	18	2.20	GF79		8.4	5946	85.80	114	2.80		
67	540	21.43	19	2.60	GFF79		9.2	5438	78.46	114	3.10		
73	496	19.70	19	2.80			11	4732	68.28	114	3.60		
53	691	27.41	10	1.10			4.2	11826	170.64	85	0.95	GFA129	
57	633	25.13	11	1.20			4.7	10638	153.50	86	1.05	GFAF129	8P
65	556	22.05	11	1.40			5.7	8679	125.23	86	1.30	GF129	
69	527	20.90	11	1.45			6.3	7915	114.21	86	1.40	GFF129	
79	461	18.29	12	1.65			6.7	7463	215.37	47	0.95		
87	415	16.48	12	1.85			7.2	6906	199.31	48	1.05		
100	364	14.46	12	2.10			8.1	6190	178.64	50	1.15		
113	322	12.76	12	2.40	GFA69		8.9	5589	161.28	51	1.30	GFA109	
127	285	11.31	12	2.70	GFAF69	4P	9.8	5076	146.49	53	1.45	GFAF109	
149	243	9.66	12	3.20	GF69		11	4504	129.97	54	1.60	GF109	4P
159	229	9.08	12	2.20	GFF69		12	4087	117.94	55	1.75	GFF109	
167	217	8.60	12	2.50			14	3513	101.38	56	2.10		
191	190	7.53	12	3.00			16	3204	92.47	57	2.30		
212	171	6.78	11	3.40			16	3066	88.49	57	2.40		
242	150	5.95	11	3.80			17	2910	83.99	57	2.50		
274	132	5.25	11	4.20			11	4415	127.42	26	0.90	GFA99	
309	117	4.66	10	4.50			13	3915	112.99	29	1.05	GFAF99	4P
363	100	3.97	10	4.70			14	3540	102.16	30	1.15	GF99	
68	534	21.17	6.2	1.05								GFF99	
75	482	19.11	6.2	1.15			15	3381	97.58	30	1.20		
86	424	16.81	6.1	1.35			16	3113	89.85	31	1.30		
91	400	15.88	6.1	1.40			17	3001	86.59	31	1.35	GFA99	
107	341	13.52	6.0	1.65	GFA59		18	2783	80.31	32	1.45	GFAF99	
117	310	12.29	6.0	1.80	GFAF59	4P	19	2621	75.63	32	1.55	GF99	4P
135	268	10.64	5.8	2.10	GF59		20	2505	72.30	32	1.60	GFF99	
155	235	9.31	5.6	1.70	GFF59		22	2269	65.47	33	1.80		
176	206	8.19	5.4	1.90			25	2012	58.06	33	2.00		
186	195	7.73	5.4	2.00			27	1819	52.49	32	2.20		
219	166	6.58	5.2	2.40									
241	151	5.98	5.1	2.60									
278	131	5.18	5.0	3.00									

GF 系列平行轴-斜齿轮减速电机

选型参数表

(恒功率) 5.5kW-7.5kW

Selection Table

(Constant Power) 5.5kW-7.5kW

n _a [r/min]	M _a [Nm]	i	F _{Ra} [kN]	f _B	机型号 Type size	极数 Pole	n _a [r/min]	M _a [Nm]	i	F _{Ra} [kN]	f _B	机型号 Type size	极数 Pole	
5.5kW							7.5kW							
16	3050	88.01	5.5	0.95	GFA89	4P	3.3	20566	217.62	83	0.85			
19	2647	76.39	20	1.05	GFAF89		4.0	16841	178.20	96	1.00			
21	2370	68.40	20	1.20	GF89		4.4	15401	162.96	100	1.10			
25	1966	56.75	20	1.45	GFF89		5.1	13401	141.80	105	1.30			
29	1745	50.36	20	1.60	GFA89	4P	5.8	11826	125.14	108	1.45	GFA159 GFAF159 GF159 GFF159	8P	
32	1569	45.28	19	1.70	GFAF89		6.6	10253	108.49	110	1.65			
37	1362	39.30	19	1.90	GF89		7.5	9123	96.53	112	1.85			
41	1219	35.19	19	2.00	GFF89		8.4	8109	85.80	113	2.10			
49	1012	29.20	18	2.30			9.2	7415	78.46	114	2.30			
42	1175	33.92	19	2.10	GFA89	4P	11	6453	68.28	114	2.70			
50	997	28.78	18	2.30	GFAF89		12	5694	60.25	114	3.00			
54	918	26.50	18	3.10	GF89		14	4937	52.24	114	3.50			
61	821	23.68	17	3.50	GFF89		15	4393	46.48	114	3.90			
30	1676	48.37	13	0.85			18	3786	40.06	114	4.50			
33	1510	43.58	14	0.95	GFA79	4P	3.6	18760	267.43	89	0.90	GFA159 GFAF159 GF159 GFF159	6P	
38	1325	38.23	15	1.05	GFAF79		4.5	15266	217.62	100	1.10			
43	1169	33.74	16	1.20	GF79		5.4	12500	178.20	106	1.35			
48	1036	29.91	17	1.35	GFF79		6.0	11431	162.96	108	1.50			
56	885	25.54	18	1.55			6.8	9947	141.80	111	1.70			
56	884	25.50	18	1.60			7.8	8778	125.14	112	1.95			
67	743	21.43	18	1.90	GFA79	4P	8.9	7610	108.49	114	2.20			
73	683	19.70	18	2.10	GFAF79		10	6771	96.53	114	2.50			
82	606	17.49	18	2.30	GF79		11	6019	85.80	114	2.80			
92	542	15.64	19	2.60	GFF79		12	5504	78.46	114	3.10			
102	487	14.06	18	2.90			14	4790	68.28	114	3.50			
118	423	12.21	18	3.30			16	4226	60.25	114	4.00			
65	764	22.05	10	1.00			19	3665	52.24	113	4.60			
69	724	20.90	10	1.05			5.7	11835	125.23	85	0.95	GFA129	8P	
79	634	18.29	11	1.20			6.3	10793	114.21	86	1.05	GFAF129		
87	571	16.48	11	1.35			7.3	9341	98.84	86	1.20	GF129		
100	501	14.46	12	1.55			8.3	8242	87.21	86	1.40	GFF129		
113	442	12.76	12	1.75			5.7	11970	170.64	85	0.95	GFA129	6P	
127	392	11.31	12	1.95	GFA69	4P	6.3	10768	153.50	86	1.05	GFAF129		
149	335	9.66	12	2.30	GFAF69		7.7	8785	125.23	86	1.30	GF129		
159	315	9.08	12	1.60	GF69		8.5	8012	114.21	86	1.40	GFF129		
167	298	8.60	12	1.80	GFF69				8.4	8063	170.64	86	1.40	GFA129
191	261	7.53	11	2.20			9.4	7253	153.50	86	1.55	GFAF129		
212	235	6.78	11	2.50			11	5917	125.23	86	1.90	GF129		
242	206	5.95	11	2.80									GFF129	
274	182	5.25	11	3.10			8.1	8441	178.64	44	0.85	GFA109	4P	
309	161	4.66	10	3.30			8.9	7621	161.28	46	0.95	GFAF109		
363	138	3.97	10	3.40			9.8	6922	146.49	48	1.05	GF109		
86	582	16.81	5.2	0.95			11	6141	129.97	50	1.20	GFF109		
91	550	15.88	5.2	1.05			12	5573	117.94	51	1.30			
107	468	13.52	5.3	1.20			14	4790	101.38	53	1.50	GFA109 GFAF109 GF109 GFF109	4P	
117	426	12.29	5.3	1.35	GFA59	4P	16	4369	92.47	54	1.65			
135	369	10.64	5.2	1.55	GFAF59		16	4181	88.49	55	1.75			
176	284	8.19	4.9	1.40	GF59		17	3969	83.99	55	1.85			
186	268	7.73	4.9	1.50	GFF59		19	3521	74.52	56	2.10			
219	228	6.58	4.8	1.75				21	3195	67.62	57			2.30
241	207	5.98	4.8	1.90				15	4611	97.58	18			0.90
278	179	5.18	4.7	2.20				16	4246	89.85	28			0.95
								17	4092	86.59	28	1.00	GFAF99	
							18	3795	80.31	29	1.05	GF99		
							19	3574	75.63	30	1.15	GFF99		
							20	3416	72.30	30	1.20			
7.5kW														
4.6	14006	312	82	0.85	GFA129R89	4P								
4.9	13153	293	83	0.90	GFAF129R89									
5.6	11627	259	86	1.05	GF129R89									
6.5	10010	223	86	1.20	GFF129R89									
7.3	8888	198	86	1.40										

选型参数表
(恒功率) 7.5kW-11kW
Selection Table
(Constant Power) 7.5kW-11kW

n_a [r/min]	M_a [Nm]	i	F_{Ra} [kN]	f_B	机型号 Type size	极数 Pole	n_a [r/min]	M_a [Nm]	i	F_{Ra} [kN]	f_B	机型号 Type size	极数 Pole
7.5kW							11kW						
22	3094	65.47	31	1.30			5.4	18334	178.20	91	0.90		
25	2743	58.06	30	1.50	GFA99	4P	6.0	16766	162.96	96	1.00		
27	2480	52.49	30	1.65	GFAF99		6.8	14589	141.80	102	1.15	GFA159	6P
32	2102	44.49	29	1.95	GF99		7.8	12875	125.14	105	1.30	GFAF159	
37	1836	38.86	28	2.20	GFF99		8.9	11162	108.49	109	1.50	GF159	
44	1536	32.50	27	2.60			10	9931	96.53	111	1.70	GFF159	
33	2045	43.28	29	1.40	GFA99	4P	11	8827	85.80	112	1.90		
39	1731	36.64	28	1.65	GFAF99		12	8072	78.46	113	2.10		
42	1602	33.91	28	2.50	GF99		5.5	18280	267.43	91	0.90		
47	1436	30.39	27	2.80	GFF99		6.7	14875	217.62	101	1.15		
25	2682	56.75	17	1.05		4P	8.2	12181	178.20	107	1.40		
29	2380	50.36	17	1.15	GFA89		9.0	11139	162.96	109	1.50	GFA159	4P
32	2140	45.28	17	1.25	GFAF89		10	9693	141.80	111	1.75	GFAF159	
37	1857	39.30	17	1.40	GF89		12	8554	125.14	112	1.92	GF159	
41	1663	35.19	17	1.50	GFF89	13	7416	108.49	114	2.30	GFF159		
49	1380	29.20	17	1.70			15	6598	96.53	114	2.60		
50	1360	28.78	17	1.70		4P	17	5865	85.80	112	2.90		
54	1252	26.50	17	2.30	GFA89		19	5363	78.46	110	3.10		
61	1119	23.68	16	2.50	GFAF89		21	4667	68.28	106	3.60		
68	1007	21.32	16	2.80	GF89		7.7	12884	125.23	83	0.85	GFA129	6P
75	912	19.31	16	3.10	GFF89	8.5	11750	114.21	85	0.95	GFAF129		
84	809	17.12	15	3.50			9.8	10169	98.84	86	1.10	GF129	
93	731	15.48	15	3.90			11	8973	87.21	86	1.25	GFF129	
43	1594	33.74	14	0.90	GFA79	4P	13	7749	75.32	86	1.45		
48	1413	29.91	15	1.00	GFAF79		8.6	11664	170.64	85	0.95		
56	1207	25.54	17	1.15	GF79		9.5	10492	153.50	86	1.05	GFA129	4P
					GFF79		12	8560	125.23	86	1.30	GFAF129	
56	1205	25.50	16	1.15			13	7807	114.21	86	1.45	GF129	
67	1013	21.43	17	1.40			15	6756	98.84	86	1.65	GFF129	
73	931	19.70	17	1.50		4P	17	5961	87.21	86	1.90		
82	826	17.49	18	1.70			19	5148	75.32	84	2.20		
92	739	15.64	18	1.90			12	8062	117.94	45	0.90	GFA109	4P
102	664	14.06	18	2.10	GFA79		14	6930	101.38	48	1.05	GFAF109	
118	577	12.21	17	2.50	GFAF79	16	6321	92.47	50	1.15	GF109		
132	516	10.93	17	2.70	GF79					GFF109			
155	439	9.30	16	2.30	GFF79								
174	390	8.26	15	2.60			17	5741	83.99	51	1.25		
195	349	7.39	15	2.90			20	5094	74.52	53	1.40	GFA109	4P
217	314	6.64	15	3.20			22	4622	67.62	54	1.55	GFAF109	
250	272	5.76	14	3.70			25	3973	58.12	54	1.80	GF109	
279	244	5.16	14	4.20			29	3468	50.73	52	2.10	GFF109	
336	202	4.28	13	4.70			34	2941	43.03	51	2.50		
11kW							43	2310	33.79	48	3.00	GFA109	4P
4.8	19611	302	88	0.90	GFA159R99	53	1885	27.57	46	3.90	GFAF109		
5.3	17728	273	94	1.00	GFAF159R99	58	1718	25.14	45	4.30	GF109		
6.3	15065	232	102	1.15	GF159R99					GFF109			
7.2	13117	202	106	1.35	GFF159R99								
7.4	12793	197	106	1.40			22	4475	65.47	23	0.90	GFA99	4P
6.5	14481	223	80	0.80	GFA129R89	25	3969	58.06	26	1.00	GFAF99		
7.4	12857	198	84	0.95	GFAF129R89	28	3588	52.49	26	1.10	GF99		
8.8	10779	166	86	1.10	GF129R89					GFF99			
					GFF129R89								
5.1	19385	141.80	87	0.85	GFA159	8P	33	3041	44.49	26	1.30	GFA99	4P
5.8	17108	125.14	95	1.00	GFAF159		38	2656	38.86	25	1.50	GFAF99	
6.7	14832	108.49	101	1.15	GF159		45	2222	32.50	25	1.80	GF99	
7.6	13197	96.53	105	1.30	GFF159						GFF99		
							43	2318	33.91	25	1.75	GFA99	4P
							48	2077	30.39	25	1.95	GFAF99	
							53	1876	27.44	24	2.20	GF99	
							59	1703	24.92	24	2.40	GFF99	
							66	1511	22.11	23	2.70		

选型参数表

Selection Table

(恒功率) 11kW-18.5kW

(Constant Power) 11kW-18.5kW

n_a [r/min]	M_a [Nm]	i	F_{Ra} [kN]	f_B	机型号 Type size	极数 Pole	n_a [r/min]	M_a [Nm]	i	F_{Ra} [kN]	f_B	机型号 Type size	极数 Pole		
11kW							15kW								
37	2686	39.30	14	0.95	GFA89	4P	16	8619	92.47	44	0.85	GFA109 GFAF109 GF109 GFF109	4P		
41	2405	35.19	14	1.00	GFAF89		16	8248	88.49	45	0.90				
50	1996	29.20	14	1.20	GF89		17	7829	83.99	46	0.95				
					GFF89		20	6946	74.52	48	1.05				
55	1811	26.50	14	1.55	GFA89 GFAF89 GF89 GFF89	4P	22	6303	67.62	50	1.15	GFA109 GFAF109 GF109 GFF109	4P		
62	1619	23.68	14	1.75			25	5417	58.12	50	1.35				
68	1457	21.32	14	1.95			29	4729	50.73	49	1.55				
76	1320	19.31	14	2.10			34	4011	43.03	48	1.80				
85	1170	17.12	14	2.40			39	3506	37.61	47	2.10				
94	1058	15.48	14	2.70			46	2964	31.80	46	2.50				
111	897	13.12	14	3.10			43	3150	33.79	46	2.20				
74	1347	19.70	15	1.05	GFA79 GFAF79 GF79 GFF79	4P	53	2570	27.57	44	2.90	GFA109 GFAF109 GF109 GFF109	4P		
83	1196	17.49	16	1.20			58	2343	25.14	44	3.20				
93	1069	15.64	17	1.30			67	2028	21.76	42	3.70				
104	961	14.06	17	1.45			GFA99 GFAF99 GF99 GFF99	4P	33	4147	44.49	22	1.00	GFA99 GFAF99 GF99 GFF99	4P
120	835	12.21	16	1.70					38	3622	38.86	22	1.15		
134	747	10.93	16	1.90					45	3029	32.50	22	1.35		
157	636	9.30	15	1.60					43	3161	33.91	22	1.30		
177	565	8.26	14	1.80					48	2833	30.39	22	1.45		
198	505	7.39	14	2.00					53	2558	27.44	22	1.60		
220	454	6.64	14	2.20			GFA99 GFAF99 GF99 GFF99	4P	59	2323	24.92	22	1.75		
253	394	5.76	13	2.60					66	2061	22.11	21	2.00		
283	353	5.16	13	2.90					73	1871	20.07	21	2.20		
341	293	4.28	13	3.20					85	1608	17.25	21	2.50		
					97	1404			15.06	20	2.90				
					114	1190			12.77	20	3.40				
					131	1040			11.16	19	3.70				
15kW							18.5kW								
6.3	20544	232	86	0.85	GFA159R99	4P	55	2470	26.50	12	1.15	GFA89 GFAF89 GF89 GFF89	4P		
7.2	17887	202	95	1.00	GFAF159R99		62	2207	23.68	12	1.30				
7.4	17444	197	96	1.05	GF159R99		68	1987	21.32	12	1.45				
6.8	19894	141.80	86	0.85	GFA159	6P	76	1800	19.31	12	1.60				
7.8	17557	125.14	94	0.95	GFAF159		85	1596	17.12	12	1.80				
8.9	15221	108.49	100	1.10	GF159		94	1443	15.48	12	2.00				
10	13543	96.53	104	1.25	GFF159		111	1223	13.12	12	2.30				
11	12037	85.80	107	1.40			127	1068	11.46	12	2.70				
6.7	20284	217.62	84	0.85	GFA159 GFAF159 GF159 GFF159	4P	152	893	9.58	12	3.10				
8.2	16610	178.20	97	1.05			176	773	8.29	11	1.90				
9.0	15190	162.96	100	1.15			199	685	7.35	11	2.10				
10	13217	141.80	105	1.30			220	620	6.65	11	2.30				
12	11664	125.14	108	1.45			259	525	5.63	10	2.80				
13	10112	108.49	11	1.70			297	459	4.92	10	3.20				
15	8998	96.53	110	1.90			354	384	4.12	10	3.60				
17	7997	85.80	108	2.10											
19	7313	78.46	106	2.30											
21	6364	68.28	10	2.70											
24	5616	60.25	100	3.00											
9.8	13867	98.84	81	0.80	GFA129 GFAF129 GF129 GFF129	6P	GFA159R99 GFAF159R99 GF159R99 GFF159R99								
11	12235	87.21	84	0.95			7.3	21911	202	73	0.80				
13	10567	75.32	84	1.10			7.5	21368	197	82	0.85				
14	9819	69.99	83	1.15			8.2	20346	178.20	84	0.85				
15	8955	63.83	82	1.25			9.0	18606	162.96	90	0.90				
12	11673	125.23	85	1.00	GFA129 GFAF129 GF129 GFF129	4P	10	16190	141.80	98	1.05				
13	10646	114.21	84	1.05			12	14288	125.14	103	1.20				
15	9213	98.84	83	1.25			14	12387	108.49	106	1.40				
17	8129	87.21	81	1.40			15	11022	96.53	106	1.55				
19	7021	75.32	80	1.60			17	9796	85.80	104	1.75				
21	6524	69.99	79	1.75			19	8958	78.46	102	1.90				
							22	7796	68.28	100	2.20				
							24	6879	60.25	97	2.50				
					28	5965	52.24	94	3.00						

选型参数表
(恒功率) 18.5kW-30kW
Selection Table
(Constant Power) 18.5kW-30kW

n_a [r/min]	M_a [Nm]	i	F_{Ra} [kN]	f_B	机型号 Type size	极数 Pole	n_a [r/min]	M_a [Nm]	i	F_{Ra} [kN]	f_B	机型号 Type size	极数 Pole				
18.5kW							22kW										
13	13040	114.21	78	0.85			24	8181	60.25	95	2.10						
15	11285	98.84	78	1.00			28	7093	52.24	92	2.40						
17	9957	87.21	77	1.15	GFA129	4P	32	6311	46.48	90	2.70	GFA159	4P				
20	8600	75.32	76	1.30	GFAF129		37	5439	40.06	87	3.10	GF159					
21	7991	69.99	75	1.40	GF129		45	4420	32.55	83	3.90	GFF159					
23	7288	63.83	74	1.55	GFF129		15	13420	98.84	73	0.85						
27	6308	55.25	73	1.80				17	11841	87.21	72	0.95					
30	5566	48.75	71	2.00			20	10227	75.32	72	1.10	GFA129	4P				
20	8509	74.52	44	0.85	GFA109	21	9503	69.99	72	1.20	GFAF129						
22	7721	67.62	46	0.95	GFAF109	23	8667	63.83	71	1.30	GF129						
25	6636	58.12	46	1.10	GF109	27	7502	55.25	70	1.50	GFF129						
29	5792	50.73	46	1.25	GFF109	30	6619	48.75	69	1.70							
34	4913	43.03	45	1.50	GFA109	35	5716	42.10	67	2.00							
39	4294	37.61	45	1.70	GFAF109	25	7891	58.12	43	0.90	GFA109	4P					
46	3631	31.80	44	2.00	GF109	29	6888	50.73	43	1.05	GFAF109						
					GFF109	34	5843	43.03	43	1.25	GF109						
										GFF109							
44	3858	33.79	44	1.80	GFA109	39	5107	37.61	43	1.40	GFA109	4P					
53	3148	27.57	43	2.40	GFAF109	46	4318	31.80	42	1.70	GFAF109						
58	2870	25.14	42	2.60	GF109						GF109	4P					
68	2485	21.76	41	3.00	GFF109						GFF109						
38	4437	38.86	19	0.90	GFA99	44	4588	33.79	42	1.55	GFA109	4P					
45	3711	32.50	20	1.10	GFAF99	53	3743	27.57	41	2.00	GFAF109						
					GF99	58	3413	25.14	41	2.20	GF109						
					GFF99	68	2955	21.76	40	2.50	GF109						
						77	2607	19.20	39	2.80	GFF109						
54	3133	27.44	20	1.30			54	3726	27.44	18	1.10		4P				
59	2845	24.92	20	1.45			59	3384	24.92	18	1.20						
66	2524	22.11	20	1.60	GFA99	4P	66	3002	22.11	18	1.35	GFA99					
73	2292	20.07	20	1.80	GFAF99		73	2725	20.07	18	1.50	GFAF99					
85	1970	17.25	19	2.10	GF99		85	2342	17.25	18	1.75	GF99					
98	1720	15.06	19	2.40	GFF99		98	2045	15.06	18	2.00	GFF99					
115	1458	12.77	19	2.80				115	1734	12.77	18	2.30					
132	1274	11.16	18	3.00			132	1515	11.16	17	2.60						
69	2434	21.32	10	1.15		4P	69	2895	21.32	8.5	1.00		4P				
76	2205	19.31	11	1.30				76	2622	19.31	9.0	1.10					
86	1955	17.12	11	1.45				86	2325	17.12	9.4	1.20					
95	1767	15.48	11	1.60				95	2102	15.48	10	1.35					
112	1498	13.12	11	1.90	GFA89		4P	112	1781	13.12	10	1.60		GFA89	4P		
128	1308	11.46	11	2.20	GFAF89			128	1556	11.46	10	1.85		GFAF89			
153	1094	9.58	11	2.50	GF89			153	1301	9.58	10	2.10		GF89			
177	947	8.29	10	1.55	GFF89			177	1126	8.29	10	1.30		GFF89			
200	839	7.35	10	1.75					200	998	7.35	10		1.45			
221	759	6.65	10	1.90					221	903	6.65	10		1.60			
261	643	5.63	10	2.20					261	764	5.63	9.4		1.90			
299	562	4.92	10	2.60					299	668	4.92	9.3		2.20			
357	470	4.12	9.4	2.90					357	559	4.12	9.0		2.50			
22kW								30kW									
10	19863	96.53	86	0.85	GFA159	6P		14	20087	108.49	85	0.85		4P			
11	17655	85.80	94	0.95	GFAF159			15	17873	96.53	92	0.95					
12	16145	78.46	98	1.05	GF159			17	15886	85.80	92	1.10	GFA159				
14	14050	68.28	102	1.20	GFF159		19	14527	78.46	91	1.20	GFAF159					
10	19253	141.80	88	0.90		4P	22	12642	68.28	90	1.35	GF159					
12	16991	125.14	95	1.00	GFA159		24	11155	60.25	89	1.55	GFF159					
14	14731	108.49	101	1.15	GFAF159		28	9672	52.24	87	1.75						
15	13107	96.53	102	1.30	GF159		32	8606	46.48	85	2.00						
17	11650	85.80	100	1.45	GFF159		37	7417	40.06	83	2.30						
19	10653	78.46	99	1.60													
22	9271	68.28	97	1.85													

选型参数表

(恒功率) 30kW-45kW

Selection Table

(Constant Power) 30kW-45kW

n _a [r/min]	M _a [Nm]	i	F _{Ra} [kN]	f _B	机型号 Type size	极数 Pole	n _a [r/min]	M _a [Nm]	i	F _{Ra} [kN]	f _B	机型号 Type size	极数 Pole																																																																																																																																																																																																																																																																																																																																																																																																																																																																																																																																																																																																																																																																																																																																																																													
30kW							37kW																																																																																																																																																																																																																																																																																																																																																																																																																																																																																																																																																																																																																																																																																																																																																																																			
20	13946	75.32	63	0.80	GFA129 GFAF129 GF129 GFF129	4P	91	3706	16.34	49	2.80	GFA129 GFAF129 GF129 GFF129	4P																																																																																																																																																																																																																																																																																																																																																																																																																																																																																																																																																																																																																																																																																																																																																																													
21	12959	69.99	63	0.90			23	11818	63.83	64	0.95			27	10230	55.25	63	1.10	30	9026	48.75	63	1.25	35	7795	42.10	62	1.45	39	6895	37.24	61	1.65	47	5793	31.29	60	1.95	58	4681	25.28	58	2.40	55	4970	26.84	59	1.60	GFA129 GFAF129 GF129 GFF129	4P	54	6253	27.57	34	1.20	GFA109 GFAF109 GF109 GFF109	4P	60	4544	24.54	58	1.80	69	3953	21.35	56	2.90	78	3488	18.84	55	3.00	34	7967	43.03	37	0.90	GFA109 GFAF109 GF109 GFF109	4P	59	5702	25.14	34	1.30	39	6964	37.61	38	1.05	46	5888	31.80	38	1.25	53	5105	27.57	38	1.45	58	4655	25.14	37	1.60	GFA109 GFAF109 GF109 GFF109	4P	68	4935	21.76	34	1.50	68	4029	21.76	37	1.85	77	3555	19.20	36	2.10	89	3070	16.58	36	2.40	100	2716	14.67	35	2.70	119	2283	12.33	34	2.90	148	1844	9.96	33	3.30	66	4094	22.11	14	1.00	73	3716	20.07	15	1.10	45kW							85	3194	17.25	15	1.30	22	18835	68.28	77	0.90	GFA159 GFAF159 GF159 GFF159	4P	98	2788	15.06	15	1.45	115	2364	12.77	16	1.75	25	16620	60.25	78	1.00	132	2066	11.16	16	1.90	162	1677	9.06	15	1.35	28	14411	52.24	77	1.20	179	1522	8.22	15	1.45	208	1307	7.06	14	1.70	238	1142	6.17	14	1.85	281	968	5.23	14	2.10	32	12822	46.48	77	1.30	322	846	4.57	14	2.30	37	11051	40.06	76	1.55	37kW							45	8979	32.55	74	1.90	GFA129 GFAF129 GF129 GFF129	4P	17	19461	85.80	84	0.85	54	7614	27.60	72	2.20	19	17796	78.46	84	0.95	30	13448	48.75	52	0.85	22	15487	68.28	84	1.10	35	11613	42.10	53	0.95	25	13665	60.25	83	1.25	40	10273	37.24	53	1.10	28	11849	52.24	82	1.45	47	8631	31.29	53	1.30	32	10542	46.48	81	1.60	59	6974	25.28	53	1.60	37	9086	40.06	80	1.85	55	7404	26.84	53	1.10	45	7383	32.55	77	2.30	60	6769	24.54	53	1.20	54	6260	27.60	75	2.70	69	5889	21.35	52	1.90	27	12531	55.25	58	0.90	79	5197	18.84	51	2.00	30	11057	48.75	58	1.00	91	4507	16.34	50	2.30	35	9549	42.10	57	1.20	102	4011	14.54	49	2.60	40	8446	37.24	56	1.35	118	3456	12.53	48	2.70	47	7097	31.29	56	1.60	145	2808	10.18	46	3.20	59	5734	25.28	55	1.95	167	2447	8.87	44	2.70	55	6088	26.84	54	1.30	188	2176	7.89	43	2.60	60	5566	24.54	53	1.45	218	1876	6.80	42	3.50	69	4842	21.35	52	2.30	268	1525	5.53	40	3.70	79	4273	18.84	51	2.40	54	7605	27.57	31	0.95								59	6935	25.14	31	1.05	GFA129 GFAF129 GF129 GFF129	4P								68	6003	21.76	32	1.25								77	5296	19.20	32	1.40								89	4574	16.58	32	1.60								101	4047	14.67	31	1.80								120	3401	12.33	31	1.95								149	2747	9.96	30	2.20								153	2673	9.69	29	1.75								177	2309	8.37	29	1.95								200	2041	7.40	28	2.10								238	1716	6.22	28	2.50								54	7605	27.57	31	0.95	GFA109 GFAF109 GF109 GFF109	4P								59	6935	25.14	31	1.05								68	6003	21.76	32	1.25								77	5296	19.20	32	1.40								89	4574	16.58	32	1.60								101	4047	14.67	31	1.80								120	3401	12.33	31	1.95								149	2747	9.96	30	2.20								153	2673	9.69	29	1.75								177	2309	8.37	29	1.95								200	2041	7.40	28	2.10								238	1716	6.22	28	2.50																																											
23	11818	63.83	64	0.95			27	10230	55.25	63	1.10			30	9026	48.75	63	1.25	35	7795	42.10	62	1.45	39	6895	37.24	61	1.65	47	5793	31.29	60	1.95	58	4681	25.28	58	2.40	55	4970	26.84	59	1.60	GFA129 GFAF129 GF129 GFF129	4P	54	6253	27.57			34	1.20	GFA109 GFAF109 GF109 GFF109	4P	60			4544	24.54	58	1.80	69	3953	21.35	56	2.90	78	3488	18.84	55	3.00	34	7967	43.03	37	0.90	GFA109 GFAF109 GF109 GFF109			4P	59	5702	25.14	34	1.30	39	6964	37.61	38	1.05	46	5888	31.80	38	1.25	53	5105	27.57	38	1.45	58	4655	25.14	37			1.60	GFA109 GFAF109 GF109 GFF109	4P	68	4935	21.76	34	1.50	68	4029	21.76	37	1.85	77	3555	19.20	36	2.10	89	3070	16.58	36	2.40	100	2716	14.67	35	2.70	119	2283	12.33	34	2.90	148	1844	9.96	33	3.30	66	4094	22.11	14	1.00	73	3716	20.07	15	1.10	45kW							85	3194	17.25	15	1.30	22	18835			68.28	77	0.90	GFA159 GFAF159 GF159 GFF159	4P	98	2788	15.06	15	1.45	115	2364	12.77	16	1.75	25	16620	60.25	78	1.00	132	2066	11.16	16	1.90	162	1677	9.06	15	1.35	28	14411	52.24	77	1.20	179	1522	8.22	15	1.45	208	1307	7.06	14	1.70	238	1142	6.17	14	1.85	281	968	5.23	14	2.10	32	12822	46.48	77	1.30	322	846	4.57	14	2.30	37	11051	40.06	76	1.55	37kW									45	8979	32.55	74	1.90	GFA129 GFAF129 GF129 GFF129	4P	17	19461	85.80	84	0.85	54	7614	27.60	72	2.20	19	17796	78.46	84	0.95	30	13448	48.75	52	0.85	22	15487	68.28	84	1.10	35	11613	42.10	53	0.95	25	13665	60.25	83	1.25	40	10273	37.24	53	1.10	28	11849	52.24	82	1.45	47	8631	31.29	53	1.30	32	10542	46.48	81	1.60	59	6974	25.28	53	1.60	37	9086	40.06	80	1.85	55	7404	26.84	53	1.10	45	7383	32.55	77	2.30	60	6769	24.54	53	1.20	54	6260	27.60	75	2.70	69	5889	21.35	52	1.90	27	12531	55.25	58	0.90	79	5197	18.84	51	2.00	30	11057	48.75	58	1.00	91	4507	16.34	50	2.30	35	9549	42.10	57	1.20	102	4011	14.54	49	2.60	40	8446	37.24	56	1.35	118	3456	12.53	48	2.70	47	7097	31.29	56	1.60	145	2808	10.18	46	3.20	59	5734	25.28	55	1.95	167	2447	8.87	44	2.70	55	6088	26.84	54	1.30	188	2176	7.89	43	2.60	60	5566	24.54	53	1.45	218	1876	6.80	42	3.50	69	4842	21.35	52	2.30	268	1525	5.53	40	3.70	79	4273	18.84	51	2.40	54	7605	27.57	31	0.95								59	6935	25.14	31	1.05	GFA129 GFAF129 GF129 GFF129	4P								68	6003	21.76	32	1.25								77	5296	19.20	32	1.40								89	4574	16.58	32	1.60								101	4047	14.67	31	1.80								120	3401	12.33	31	1.95								149	2747	9.96	30	2.20								153	2673	9.69	29	1.75								177	2309	8.37	29	1.95								200	2041	7.40	28	2.10								238	1716	6.22	28	2.50								54	7605	27.57	31	0.95	GFA109 GFAF109 GF109 GFF109	4P								59	6935	25.14	31	1.05								68	6003	21.76	32	1.25								77	5296	19.20	32	1.40								89	4574	16.58	32	1.60								101	4047	14.67	31	1.80								120	3401	12.33	31	1.95								149	2747	9.96	30	2.20								153	2673	9.69	29	1.75								177	2309	8.37	29	1.95								200	2041	7.40	28	2.10								238	1716	6.22	28	2.50																																				
27	10230	55.25	63	1.10			30	9026	48.75	63	1.25			35	7795	42.10	62	1.45	39	6895	37.24	61	1.65	47	5793	31.29	60	1.95	58	4681	25.28	58	2.40	55	4970	26.84	59	1.60	GFA129 GFAF129 GF129 GFF129	4P	54	6253	27.57			34	1.20	GFA109 GFAF109 GF109 GFF109			4P	60			4544			24.54	58	1.80	69	3953	21.35	56	2.90	78	3488	18.84	55	3.00	34	7967	43.03	37	0.90	GFA109 GFAF109 GF109 GFF109					4P	59	5702	25.14	34	1.30	39	6964	37.61	38	1.05	46	5888	31.80	38	1.25	53	5105	27.57	38	1.45	58	4655	25.14			37			1.60	GFA109 GFAF109 GF109 GFF109	4P	68	4935	21.76	34	1.50	68	4029	21.76	37	1.85	77	3555	19.20	36	2.10	89	3070	16.58	36	2.40	100	2716	14.67	35	2.70	119	2283	12.33	34	2.90	148	1844	9.96	33	3.30	66	4094	22.11	14	1.00	73	3716	20.07	15	1.10	45kW							85	3194	17.25	15			1.30	22	18835			68.28	77	0.90	GFA159 GFAF159 GF159 GFF159	4P	98	2788	15.06	15	1.45	115	2364	12.77	16	1.75	25	16620	60.25	78	1.00	132	2066	11.16	16	1.90	162	1677	9.06	15	1.35	28	14411	52.24	77	1.20	179	1522	8.22	15	1.45	208	1307	7.06	14	1.70	238	1142	6.17	14	1.85	281	968	5.23	14	2.10	32	12822	46.48	77	1.30	322	846	4.57	14	2.30	37	11051	40.06	76	1.55	37kW							45	8979			32.55	74	1.90	GFA129 GFAF129 GF129 GFF129	4P	17	19461	85.80	84	0.85	54	7614	27.60	72	2.20	19	17796	78.46	84	0.95	30	13448	48.75	52	0.85	22	15487	68.28	84	1.10	35	11613	42.10	53	0.95	25	13665	60.25	83	1.25	40	10273	37.24	53	1.10	28	11849	52.24	82	1.45	47	8631	31.29	53	1.30	32	10542	46.48	81	1.60	59	6974	25.28	53	1.60	37	9086	40.06	80	1.85	55	7404	26.84	53	1.10	45	7383	32.55	77	2.30	60	6769	24.54	53	1.20	54	6260	27.60	75	2.70	69	5889	21.35	52	1.90	27	12531	55.25	58	0.90	79	5197	18.84	51	2.00	30	11057	48.75	58	1.00	91	4507	16.34	50	2.30	35	9549	42.10	57	1.20	102	4011	14.54	49	2.60	40	8446	37.24	56	1.35	118	3456	12.53	48	2.70	47	7097	31.29	56	1.60	145	2808	10.18	46	3.20	59	5734	25.28	55	1.95	167	2447	8.87	44	2.70	55	6088	26.84	54	1.30	188	2176	7.89	43	2.60	60	5566	24.54	53	1.45	218	1876	6.80	42	3.50	69	4842	21.35	52	2.30	268	1525	5.53	40	3.70	79	4273	18.84	51	2.40	54	7605	27.57	31	0.95										59	6935	25.14	31	1.05	GFA129 GFAF129 GF129 GFF129	4P								68	6003	21.76	32	1.25								77	5296	19.20	32	1.40								89	4574	16.58	32	1.60								101	4047	14.67	31	1.80								120	3401	12.33	31	1.95								149	2747	9.96	30	2.20								153	2673	9.69	29	1.75								177	2309	8.37	29	1.95								200	2041	7.40	28	2.10								238	1716	6.22			28	2.50								54	7605	27.57	31	0.95	GFA109 GFAF109 GF109 GFF109	4P								59	6935	25.14	31	1.05								68	6003	21.76	32	1.25								77	5296	19.20	32	1.40								89	4574	16.58	32	1.60								101	4047	14.67	31	1.80								120	3401	12.33	31	1.95								149	2747	9.96	30	2.20								153	2673	9.69	29	1.75								177	2309	8.37	29	1.95								200	2041	7.40	28	2.10								238	1716	6.22	28	2.50																											
30	9026	48.75	63	1.25			35	7795	42.10	62	1.45			39	6895	37.24	61	1.65	47	5793	31.29	60	1.95	58	4681	25.28	58	2.40	55	4970	26.84	59	1.60	GFA129 GFAF129 GF129 GFF129	4P	54	6253	27.57			34	1.20	GFA109 GFAF109 GF109 GFF109			4P	60					4544			24.54			58	1.80	69	3953	21.35	56	2.90	78	3488	18.84	55	3.00	34	7967	43.03	37	0.90	GFA109 GFAF109 GF109 GFF109							4P	59	5702	25.14	34	1.30	39	6964	37.61	38	1.05	46	5888	31.80	38	1.25	53	5105	27.57	38	1.45	58	4655			25.14			37			1.60	GFA109 GFAF109 GF109 GFF109	4P	68	4935	21.76	34	1.50	68	4029	21.76	37	1.85	77	3555	19.20	36	2.10	89	3070	16.58	36	2.40	100	2716	14.67	35	2.70	119	2283	12.33	34	2.90	148	1844	9.96	33	3.30	66	4094	22.11	14	1.00	73	3716	20.07	15	1.10	45kW							85			3194	17.25	15			1.30	22	18835			68.28	77	0.90	GFA159 GFAF159 GF159 GFF159	4P	98	2788	15.06	15	1.45	115	2364	12.77	16	1.75	25	16620	60.25	78	1.00	132	2066	11.16	16	1.90	162	1677	9.06	15	1.35	28	14411	52.24	77	1.20	179	1522	8.22	15	1.45	208	1307	7.06	14	1.70	238	1142	6.17	14	1.85	281	968	5.23	14	2.10	32	12822	46.48	77	1.30	322	846	4.57	14	2.30	37	11051			40.06	76	1.55	37kW									45	8979	32.55	74	1.90	GFA129 GFAF129 GF129 GFF129	4P	17	19461	85.80	84	0.85	54	7614	27.60	72	2.20	19	17796	78.46	84	0.95	30	13448	48.75	52	0.85	22	15487	68.28	84	1.10	35	11613	42.10	53	0.95	25	13665	60.25	83	1.25	40	10273	37.24	53	1.10	28	11849	52.24	82	1.45	47	8631	31.29	53	1.30	32	10542	46.48	81	1.60	59	6974	25.28	53	1.60	37	9086	40.06	80	1.85	55	7404	26.84	53	1.10	45	7383	32.55	77	2.30	60	6769	24.54	53	1.20	54	6260	27.60	75	2.70	69	5889	21.35	52	1.90	27	12531	55.25	58	0.90	79	5197	18.84	51	2.00	30	11057	48.75	58	1.00	91	4507	16.34	50	2.30	35	9549	42.10	57	1.20	102	4011	14.54	49	2.60	40	8446	37.24	56	1.35	118	3456	12.53	48	2.70	47	7097	31.29	56	1.60	145	2808	10.18	46	3.20	59	5734	25.28	55	1.95	167	2447	8.87	44	2.70	55	6088	26.84	54	1.30	188	2176	7.89	43	2.60	60	5566	24.54	53	1.45	218	1876	6.80	42	3.50	69	4842	21.35	52	2.30	268	1525	5.53	40	3.70	79	4273	18.84			51	2.40	54	7605	27.57			31	0.95								59	6935	25.14	31	1.05	GFA129 GFAF129 GF129 GFF129	4P								68	6003	21.76	32	1.25								77	5296	19.20	32	1.40								89	4574	16.58	32	1.60								101	4047	14.67	31	1.80								120	3401	12.33	31	1.95								149	2747	9.96	30	2.20								153	2673	9.69	29	1.75								177	2309	8.37	29	1.95								200	2041	7.40	28	2.10								238			1716	6.22	28	2.50								54	7605	27.57	31	0.95	GFA109 GFAF109 GF109 GFF109	4P								59	6935	25.14	31	1.05								68	6003	21.76	32	1.25								77	5296	19.20	32	1.40								89	4574	16.58	32	1.60								101	4047	14.67	31	1.80								120	3401	12.33	31	1.95								149	2747	9.96	30	2.20								153	2673	9.69	29	1.75								177	2309	8.37	29	1.95								200	2041	7.40	28	2.10								238	1716	6.22	28	2.50																		
35	7795	42.10	62	1.45			39	6895	37.24	61	1.65			47	5793	31.29	60	1.95	58	4681	25.28	58	2.40	55	4970	26.84	59	1.60	GFA129 GFAF129 GF129 GFF129	4P	54	6253	27.57			34	1.20	GFA109 GFAF109 GF109 GFF109			4P	60					4544		24.54	58		1.80			69			3953	21.35	56	2.90	78	3488	18.84	55	3.00	34	7967	43.03	37	0.90	GFA109 GFAF109 GF109 GFF109	4P	59				5702	25.14				34	1.30	39	6964	37.61	38	1.05	46	5888	31.80	38	1.25	53	5105	27.57	38	1.45	58	4655	25.14	37	1.60			GFA109 GFAF109 GF109 GFF109			4P			68			4935	21.76	34	1.50	68	4029	21.76	37	1.85	77	3555	19.20	36	2.10	89	3070	16.58	36	2.40	100	2716	14.67	35	2.70	119	2283	12.33	34	2.90	148	1844	9.96	33	3.30	66	4094	22.11	14	1.00	73	3716	20.07	15	1.10	45kW							85	3194			17.25	15	1.30			22	18835	68.28			77	0.90	GFA159 GFAF159 GF159 GFF159			4P	98	2788	15.06	15	1.45	115	2364	12.77	16	1.75	25	16620	60.25	78	1.00	132	2066	11.16	16	1.90	162	1677	9.06	15	1.35	28	14411	52.24	77	1.20	179	1522	8.22	15	1.45	208	1307	7.06	14	1.70	238	1142	6.17	14	1.85	281	968	5.23	14	2.10	32	12822	46.48	77	1.30	322	846	4.57	14	2.30	37			11051	40.06	76	1.55	37kW								45	8979	32.55	74	1.90			GFA129 GFAF129 GF129 GFF129	4P	17	19461	85.80	84	0.85	54	7614	27.60	72	2.20	19	17796	78.46	84	0.95	30	13448	48.75	52	0.85	22	15487	68.28	84	1.10	35	11613	42.10	53	0.95	25	13665	60.25	83	1.25	40	10273	37.24	53	1.10	28	11849	52.24	82	1.45	47	8631	31.29	53	1.30	32	10542	46.48	81	1.60	59	6974	25.28	53	1.60	37	9086	40.06	80	1.85	55	7404	26.84	53	1.10	45	7383	32.55	77	2.30	60	6769	24.54	53	1.20	54	6260	27.60	75	2.70	69	5889	21.35	52	1.90	27	12531	55.25	58	0.90	79	5197	18.84	51	2.00	30	11057	48.75	58	1.00	91	4507	16.34	50	2.30	35	9549	42.10	57	1.20	102	4011	14.54	49	2.60	40	8446	37.24	56	1.35	118	3456	12.53	48	2.70	47	7097	31.29	56	1.60	145	2808	10.18	46	3.20	59	5734	25.28	55	1.95	167	2447	8.87	44	2.70	55	6088	26.84	54	1.30	188	2176	7.89	43	2.60	60	5566	24.54	53	1.45	218	1876	6.80	42	3.50	69	4842	21.35	52	2.30	268	1525	5.53	40	3.70	79			4273	18.84	51	2.40	54			7605	27.57	31	0.95								59	6935	25.14			31	1.05	GFA129 GFAF129 GF129 GFF129	4P								68	6003	21.76	32	1.25								77	5296	19.20	32	1.40								89	4574	16.58	32	1.60								101	4047	14.67	31	1.80								120	3401	12.33	31	1.95								149	2747	9.96	30	2.20								153	2673	9.69	29	1.75								177	2309	8.37	29	1.95								200	2041			7.40	28	2.10								238	1716	6.22	28			2.50									54	7605	27.57	31	0.95	GFA109 GFAF109 GF109 GFF109	4P								59	6935	25.14	31	1.05								68	6003	21.76	32	1.25								77	5296	19.20	32	1.40								89	4574	16.58	32	1.60								101	4047	14.67	31	1.80								120	3401	12.33	31	1.95								149	2747	9.96	30	2.20								153	2673	9.69	29	1.75								177	2309	8.37	29	1.95								200	2041	7.40	28	2.10								238	1716	6.22	28	2.50											
39	6895	37.24	61	1.65			47	5793	31.29	60	1.95			58	4681	25.28	58	2.40	55	4970	26.84	59	1.60	GFA129 GFAF129 GF129 GFF129	4P	54	6253	27.57			34	1.20	GFA109 GFAF109 GF109 GFF109			4P	60					4544		24.54	58		1.80		69	3953		21.35			56			2.90	78	3488	18.84	55	3.00	34	7967	43.03	37	0.90	GFA109 GFAF109 GF109 GFF109	4P	59			5702			25.14	34	1.30	39			6964	37.61	38	1.05	46	5888	31.80	38	1.25	53	5105	27.57	38	1.45	58	4655	25.14	37	1.60	GFA109 GFAF109 GF109 GFF109	4P	68									4935			21.76	34	1.50	68	4029	21.76	37	1.85	77	3555	19.20	36	2.10	89	3070	16.58	36	2.40	100	2716	14.67	35	2.70	119	2283	12.33	34	2.90	148	1844	9.96	33	3.30	66	4094	22.11	14	1.00	73	3716	20.07	15	1.10	45kW							85	3194	17.25			15	1.30	22			18835	68.28	77			0.90	GFA159 GFAF159 GF159 GFF159					4P	98	2788	15.06	15	1.45	115	2364	12.77	16	1.75	25	16620	60.25	78	1.00	132	2066	11.16	16	1.90	162	1677	9.06	15	1.35	28	14411	52.24	77	1.20	179	1522	8.22	15	1.45	208	1307	7.06	14	1.70	238	1142	6.17	14	1.85	281	968	5.23	14	2.10	32	12822	46.48	77	1.30	322	846	4.57	14	2.30			37	11051	40.06	76	1.55			37kW							45	8979	32.55					74	1.90	GFA129 GFAF129 GF129 GFF129	4P	17	19461	85.80	84	0.85	54	7614	27.60	72	2.20	19	17796	78.46	84	0.95	30	13448	48.75	52	0.85	22	15487	68.28	84	1.10	35	11613	42.10	53	0.95	25	13665	60.25	83	1.25	40	10273	37.24	53	1.10	28	11849	52.24	82	1.45	47	8631	31.29	53	1.30	32	10542	46.48	81	1.60	59	6974	25.28	53	1.60	37	9086	40.06	80	1.85	55	7404	26.84	53	1.10	45	7383	32.55	77	2.30	60	6769	24.54	53	1.20	54	6260	27.60	75	2.70	69	5889	21.35	52	1.90	27	12531	55.25	58	0.90	79	5197	18.84	51	2.00	30	11057	48.75	58	1.00	91	4507	16.34	50	2.30	35	9549	42.10	57	1.20	102	4011	14.54	49	2.60	40	8446	37.24	56	1.35	118	3456	12.53	48	2.70	47	7097	31.29	56	1.60	145	2808	10.18	46	3.20	59	5734	25.28	55	1.95	167	2447	8.87	44	2.70	55	6088	26.84	54	1.30	188	2176	7.89	43	2.60	60	5566	24.54	53	1.45	218	1876	6.80	42	3.50	69	4842	21.35	52	2.30	268	1525			5.53	40	3.70	79	4273			18.84	51	2.40	54	7605			27.57	31	0.95								59			6935	25.14	31	1.05	GFA129 GFAF129 GF129 GFF129	4P								68	6003	21.76	32	1.25								77	5296	19.20	32	1.40								89	4574	16.58	32	1.60								101	4047	14.67	31	1.80								120	3401	12.33	31	1.95								149	2747	9.96	30	2.20								153	2673	9.69	29	1.75								177	2309	8.37	29	1.95								200	2041	7.40			28	2.10								238	1716	6.22	28	2.50								54	7605			27.57	31	0.95	GFA109 GFAF109 GF109 GFF109	4P								59	6935	25.14	31	1.05								68	6003	21.76	32	1.25								77	5296	19.20	32	1.40								89	4574	16.58	32	1.60								101	4047	14.67	31	1.80								120	3401	12.33	31	1.95								149	2747	9.96	30	2.20								153	2673	9.69	29	1.75								177	2309	8.37	29	1.95								200	2041	7.40	28	2.10								238	1716	6.22	28	2.50						
47	5793	31.29	60	1.95																																																																																																																																																																																																																																																																																																																																																																																																																																																																																																																																																																																																																																																																																																																																																																																						
58	4681	25.28	58	2.40	55	4970	26.84	59	1.60	GFA129 GFAF129 GF129 GFF129	4P	54	6253	27.57	34	1.20	GFA109 GFAF109 GF109 GFF109	4P	60	4544	24.54	58	1.80			69	3953	21.35			56	2.90		78	3488		18.84		55	3.00		34		7967	43.03		37		0.90	GFA109 GFAF109 GF109 GFF109		4P			59			5702	25.14	34	1.30	39	6964	37.61	38	1.05	46	5888			31.80			38	1.25	53	5105	27.57	38	1.45	58	4655	25.14	37	1.60	GFA109 GFAF109 GF109 GFF109	4P	68	4935	21.76	34	1.50	68	4029	21.76	37	1.85	77	3555	19.20	36			2.10									89			3070	16.58	36	2.40	100	2716	14.67	35	2.70	119	2283	12.33	34	2.90	148	1844	9.96	33	3.30	66	4094	22.11	14	1.00	73	3716	20.07	15	1.10	45kW							85	3194	17.25	15	1.30	22	18835	68.28	77	0.90	GFA159 GFAF159 GF159 GFF159	4P	98	2788	15.06	15	1.45			115	2364	12.77			16	1.75	25			16620							60.25	78	1.00	132	2066	11.16	16	1.90	162	1677	9.06	15	1.35	28	14411	52.24	77	1.20	179	1522	8.22	15	1.45	208	1307	7.06	14	1.70	238	1142	6.17	14	1.85	281	968	5.23	14	2.10	32	12822	46.48	77	1.30	322	846	4.57	14	2.30	37	11051	40.06	76	1.55	37kW									45	8979	32.55	74	1.90			GFA129 GFAF129 GF129 GFF129	4P	17			19461	85.80	84	0.85	54					7614	27.60			72	2.20	19	17796	78.46	84	0.95	30	13448	48.75	52	0.85	22	15487	68.28	84	1.10	35	11613	42.10	53	0.95	25	13665	60.25	83	1.25	40	10273	37.24	53	1.10	28	11849	52.24	82	1.45	47	8631	31.29	53	1.30	32	10542	46.48	81	1.60	59	6974	25.28	53	1.60	37	9086	40.06	80	1.85	55	7404	26.84	53	1.10	45	7383	32.55	77	2.30	60	6769	24.54	53	1.20	54	6260	27.60	75	2.70	69	5889	21.35	52	1.90	27	12531	55.25	58	0.90	79	5197	18.84	51	2.00	30	11057	48.75	58	1.00	91	4507	16.34	50	2.30	35	9549	42.10	57	1.20	102	4011	14.54	49	2.60	40	8446	37.24	56	1.35	118	3456	12.53	48	2.70	47	7097	31.29	56	1.60	145	2808	10.18	46	3.20	59	5734	25.28	55	1.95	167	2447	8.87	44	2.70	55	6088	26.84	54	1.30	188	2176	7.89	43	2.60	60	5566	24.54	53	1.45	218	1876	6.80	42	3.50	69	4842	21.35	52	2.30	268	1525	5.53	40	3.70	79	4273	18.84	51	2.40			54	7605	27.57	31	0.95										59	6935	25.14	31	1.05	GFA129 GFAF129 GF129 GFF129	4P										68			6003	21.76	32	1.25								77	5296	19.20	32	1.40								89	4574	16.58	32	1.60								101	4047	14.67	31	1.80								120	3401	12.33	31	1.95								149	2747	9.96	30	2.20								153	2673	9.69	29	1.75								177	2309	8.37	29	1.95								200	2041	7.40	28			2.10								238	1716	6.22	28	2.50								54	7605	27.57			31	0.95	GFA109 GFAF109 GF109 GFF109	4P									59	6935	25.14	31	1.05								68	6003	21.76	32	1.25								77	5296	19.20	32	1.40								89	4574	16.58	32	1.60								101	4047	14.67	31	1.80								120	3401	12.33	31	1.95								149	2747	9.96	30	2.20								153	2673	9.69	29	1.75								177	2309	8.37	29	1.95								200	2041	7.40	28	2.10								238	1716	6.22	28	2.50													
55	4970	26.84	59	1.60	GFA129 GFAF129 GF129 GFF129	4P	54	6253	27.57			34	1.20	GFA109 GFAF109 GF109 GFF109	4P																																																																																																																																																																																																																																																																																																																																																																																																																																																																																																																																																																																																																																																																																																																																																																											
60	4544	24.54	58	1.80			69	3953	21.35			56	2.90			78			3488	18.84	55	3.00	34	7967	43.03	37	0.90	GFA109 GFAF109 GF109 GFF109	4P	59	5702	25.14		34	1.30		39		6964	37.61		38		1.05	46		5888		31.80						38			1.25	53	5105	27.57	38	1.45	58	4655	25.14	37	1.60	GFA109 GFAF109 GF109 GFF109	4P	68	4935	21.76	34	1.50	68	4029	21.76	37	1.85	77	3555	19.20	36	2.10			89	3070	16.58	36	2.40	100	2716	14.67	35	2.70	119	2283	12.33	34			2.90	148	1844		9.96	33				3.30			66	4094	22.11	14	1.00	73	3716	20.07	15	1.10	45kW							85	3194	17.25	15	1.30	22	18835	68.28	77	0.90	GFA159 GFAF159 GF159 GFF159	4P	98	2788	15.06	15	1.45	115	2364	12.77	16	1.75	25	16620	60.25	78	1.00	132	2066			11.16	16	1.90	162	1677	9.06	15	1.35	28	14411	52.24	77	1.20	179	1522			8.22							15	1.45	208	1307	7.06	14	1.70	238	1142	6.17	14	1.85	281	968	5.23	14	2.10	32	12822	46.48	77	1.30	322	846	4.57	14	2.30	37	11051	40.06	76	1.55	37kW							45	8979	32.55	74	1.90	GFA129 GFAF129 GF129 GFF129	4P	17	19461	85.80	84	0.85	54	7614	27.60	72	2.20	19	17796	78.46	84	0.95	30	13448	48.75	52	0.85	22	15487	68.28			84			1.10	35	11613	42.10	53					0.95	25			13665	60.25	83	1.25	40	10273	37.24	53	1.10	28	11849	52.24	82	1.45	47	8631	31.29	53	1.30	32	10542	46.48	81	1.60	59	6974	25.28	53	1.60	37	9086	40.06	80	1.85	55	7404	26.84	53	1.10	45	7383	32.55	77	2.30	60	6769	24.54	53	1.20	54	6260	27.60	75	2.70	69	5889	21.35	52	1.90	27	12531	55.25	58	0.90	79	5197	18.84	51	2.00	30	11057	48.75	58	1.00	91	4507	16.34	50	2.30	35	9549	42.10	57	1.20	102	4011	14.54	49	2.60	40	8446	37.24	56	1.35	118	3456	12.53	48	2.70	47	7097	31.29	56	1.60	145	2808	10.18	46	3.20	59	5734	25.28	55	1.95	167	2447	8.87	44	2.70	55	6088	26.84	54	1.30	188	2176	7.89	43	2.60	60	5566	24.54	53	1.45	218	1876	6.80	42	3.50	69	4842	21.35	52	2.30	268	1525	5.53	40	3.70	79	4273	18.84	51	2.40	54	7605	27.57	31	0.95								59	6935	25.14	31	1.05	GFA129 GFAF129 GF129 GFF129	4P								68	6003	21.76	32			1.25								77	5296	19.20	32					1.40										89	4574	16.58	32	1.60								101	4047	14.67	31	1.80								120	3401	12.33	31	1.95								149	2747	9.96	30	2.20								153	2673	9.69	29	1.75								177	2309	8.37	29	1.95								200	2041	7.40	28	2.10								238	1716	6.22	28	2.50								54	7605	27.57	31	0.95	GFA109 GFAF109 GF109 GFF109	4P								59	6935	25.14	31	1.05												68	6003			21.76			32	1.25								77	5296	19.20	32	1.40								89	4574	16.58	32	1.60								101	4047	14.67	31	1.80								120	3401	12.33	31	1.95								149	2747	9.96	30	2.20								153	2673	9.69	29	1.75								177	2309	8.37	29	1.95								200	2041	7.40	28	2.10								238	1716	6.22	28	2.50																																	
69	3953	21.35	56	2.90			78	3488	18.84			55	3.00			34			7967	43.03	37	0.90	GFA109 GFAF109 GF109 GFF109	4P	59	5702	25.14			34	1.30	39		6964	37.61		38		1.05	46		5888		31.80	38		1.25		53						5105			27.57	38	1.45	58	4655	25.14	37	1.60	GFA109 GFAF109 GF109 GFF109	4P	68			4935	21.76	34	1.50	68	4029	21.76	37	1.85	77	3555	19.20	36	2.10	89			3070	16.58	36	2.40	100	2716	14.67	35	2.70	119	2283	12.33	34	2.90			148	1844	9.96		33	3.30		66	4094	22.11			14	1.00	73	3716	20.07	15	1.10	45kW							85	3194	17.25	15	1.30	22	18835	68.28	77	0.90	GFA159 GFAF159 GF159 GFF159	4P	98			2788	15.06	15	1.45	115	2364	12.77	16	1.75	25	16620	60.25	78	1.00	132	2066	11.16			16	1.90	162	1677	9.06	15	1.35	28	14411	52.24	77	1.20	179	1522	8.22	15	1.45	208							1307	7.06	14	1.70	238	1142	6.17	14	1.85	281	968	5.23	14	2.10	32	12822	46.48	77	1.30	322	846	4.57	14	2.30	37	11051	40.06	76	1.55	37kW							45	8979	32.55	74	1.90	GFA129 GFAF129 GF129 GFF129	4P	17			19461	85.80	84	0.85	54	7614	27.60	72	2.20	19	17796	78.46	84	0.95	30	13448	48.75	52	0.85	22	15487	68.28	84			1.10	35	11613	42.10	53	0.95	25	13665					60.25	83			1.25	40	10273	37.24	53	1.10	28	11849	52.24	82	1.45	47	8631	31.29	53	1.30	32	10542	46.48	81	1.60	59	6974	25.28	53	1.60	37	9086	40.06	80	1.85	55	7404	26.84	53	1.10	45	7383	32.55	77	2.30	60	6769	24.54	53	1.20	54	6260	27.60	75	2.70	69	5889	21.35	52	1.90	27	12531	55.25	58	0.90	79	5197	18.84	51	2.00	30	11057	48.75	58	1.00	91	4507	16.34	50	2.30	35	9549	42.10	57	1.20	102	4011	14.54	49	2.60	40	8446	37.24	56	1.35	118	3456	12.53	48	2.70	47	7097	31.29	56	1.60	145	2808	10.18	46	3.20	59	5734	25.28	55	1.95	167	2447	8.87	44	2.70	55	6088	26.84	54	1.30	188	2176	7.89	43	2.60	60	5566	24.54	53	1.45	218	1876	6.80	42	3.50	69	4842	21.35	52	2.30	268	1525	5.53	40	3.70	79	4273	18.84	51	2.40	54	7605	27.57	31	0.95								59	6935	25.14	31	1.05	GFA129 GFAF129 GF129 GFF129	4P										68	6003	21.76	32	1.25										77	5296	19.20	32	1.40												89			4574	16.58	32	1.60								101	4047	14.67	31	1.80								120	3401	12.33	31	1.95								149	2747	9.96	30	2.20								153	2673	9.69	29	1.75								177	2309	8.37	29	1.95								200	2041	7.40	28	2.10								238	1716	6.22	28	2.50								54	7605	27.57	31	0.95	GFA109 GFAF109 GF109 GFF109			4P								59	6935	25.14	31	1.05								68			6003	21.76			32			1.25								77	5296	19.20	32	1.40								89	4574	16.58	32	1.60								101	4047	14.67	31	1.80								120	3401	12.33	31	1.95								149	2747	9.96	30	2.20								153	2673	9.69	29	1.75								177	2309	8.37	29	1.95								200	2041	7.40	28	2.10								238	1716	6.22	28	2.50																																		
78	3488	18.84	55	3.00			34	7967	43.03	37	0.90	GFA109 GFAF109 GF109 GFF109	4P			59			5702	25.14	34	1.30			39	6964	37.61			38	1.05	46		5888	31.80		38		1.25	53		5105		27.57	38		1.45		58	4655		25.14			37			1.60	GFA109 GFAF109 GF109 GFF109	4P	68	4935	21.76	34	1.50			68			4029	21.76	37	1.85	77	3555	19.20	36	2.10	89	3070	16.58	36	2.40	100			2716	14.67	35	2.70	119	2283	12.33	34	2.90	148	1844	9.96	33	3.30			66	4094	22.11		14	1.00		73	3716	20.07	15	1.10	45kW							85	3194	17.25	15	1.30	22	18835	68.28	77	0.90	GFA159 GFAF159 GF159 GFF159	4P	98	2788	15.06	15	1.45			115			2364	12.77	16	1.75	25	16620	60.25	78	1.00	132	2066	11.16	16	1.90	162	1677	9.06			15	1.35	28	14411	52.24	77	1.20	179	1522	8.22	15	1.45	208	1307	7.06	14	1.70	238			1142	6.17			14	1.85	281	968	5.23	14	2.10	32	12822	46.48	77	1.30	322	846	4.57	14	2.30	37	11051	40.06	76	1.55	37kW							45	8979	32.55	74	1.90	GFA129 GFAF129 GF129 GFF129	4P	17	19461	85.80	84	0.85			54			7614	27.60	72	2.20	19	17796	78.46	84	0.95	30	13448	48.75	52	0.85	22	15487	68.28	84	1.10	35	11613	42.10	53			0.95	25	13665	60.25	83	1.25	40	10273	37.24	53			1.10	28			11849	52.24	82	1.45	47	8631	31.29	53	1.30	32	10542	46.48	81	1.60	59	6974	25.28	53	1.60	37	9086	40.06	80	1.85	55	7404	26.84	53	1.10	45	7383	32.55	77	2.30	60	6769	24.54	53	1.20	54	6260	27.60	75	2.70	69	5889	21.35	52	1.90	27	12531	55.25	58	0.90	79	5197	18.84	51	2.00	30	11057	48.75	58	1.00	91	4507	16.34	50	2.30	35	9549	42.10	57	1.20	102	4011	14.54	49	2.60	40	8446	37.24	56	1.35	118	3456	12.53	48	2.70	47	7097	31.29	56	1.60	145	2808	10.18	46	3.20	59	5734	25.28	55	1.95	167	2447	8.87	44	2.70	55	6088	26.84	54	1.30	188	2176	7.89	43	2.60	60	5566	24.54	53	1.45	218	1876	6.80	42	3.50	69	4842	21.35	52	2.30	268	1525	5.53	40	3.70	79	4273	18.84	51	2.40	54	7605	27.57	31	0.95								59	6935	25.14	31	1.05	GFA129 GFAF129 GF129 GFF129	4P								68			6003	21.76	32	1.25										77	5296	19.20	32	1.40												89	4574			16.58	32	1.60								101	4047	14.67	31	1.80								120	3401	12.33	31	1.95								149	2747	9.96	30	2.20								153	2673	9.69	29	1.75								177	2309	8.37	29	1.95								200	2041	7.40	28	2.10								238	1716	6.22	28	2.50								54	7605	27.57	31	0.95	GFA109 GFAF109 GF109 GFF109	4P										59	6935	25.14	31	1.05								68	6003	21.76	32	1.25										77			5296	19.20	32			1.40								89	4574	16.58	32	1.60								101	4047	14.67	31	1.80								120	3401	12.33	31	1.95								149	2747	9.96	30	2.20								153	2673	9.69	29	1.75								177	2309	8.37	29	1.95								200	2041	7.40	28	2.10								238	1716	6.22	28	2.50																																									
34	7967	43.03	37	0.90	GFA109 GFAF109 GF109 GFF109	4P	59	5702	25.14	34	1.30					39			6964	37.61	38	1.05			46	5888	31.80			38	1.25	53		5105	27.57		38		1.45	58		4655		25.14	37		1.60		GFA109 GFAF109 GF109 GFF109	4P		68			4935			21.76			34	1.50	68	4029	21.76			37			1.85	77	3555	19.20	36	2.10	89	3070	16.58	36	2.40	100	2716	14.67	35			2.70	119	2283	12.33	34	2.90	148	1844	9.96	33	3.30	66	4094	22.11			14	1.00	73	3716	20.07	15	1.10	45kW							85	3194	17.25	15	1.30	22	18835	68.28	77	0.90	GFA159 GFAF159 GF159 GFF159	4P	98	2788	15.06			15	1.45	115	2364	12.77			16			1.75	25	16620	60.25	78	1.00	132	2066	11.16	16	1.90	162	1677	9.06	15	1.35	28			14411	52.24	77	1.20	179	1522	8.22	15	1.45	208	1307	7.06	14	1.70	238	1142	6.17	14		1.85	281	968	5.23		14	2.10	32	12822	46.48	77	1.30	322	846	4.57	14	2.30	37	11051	40.06	76	1.55	37kW							45	8979	32.55	74	1.90	GFA129 GFAF129 GF129 GFF129	4P	17	19461	85.80			84	0.85	54	7614	27.60			72			2.20	19	17796	78.46	84	0.95	30	13448	48.75	52	0.85	22	15487	68.28	84	1.10	35	11613	42.10	53	0.95	25	13665			60.25	83	1.25	40	10273	37.24	53	1.10	28	11849	52.24	82	1.45	47			8631	31.29	53	1.30	32	10542	46.48	81	1.60	59	6974	25.28	53	1.60	37	9086	40.06	80	1.85	55	7404	26.84	53	1.10	45	7383	32.55	77	2.30	60	6769	24.54	53	1.20	54	6260	27.60	75	2.70	69	5889	21.35	52	1.90	27	12531	55.25	58	0.90	79	5197	18.84	51	2.00	30	11057	48.75	58	1.00	91	4507	16.34	50	2.30	35	9549	42.10	57	1.20	102	4011	14.54	49	2.60	40	8446	37.24	56	1.35	118	3456	12.53	48	2.70	47	7097	31.29	56	1.60	145	2808	10.18	46	3.20	59	5734	25.28	55	1.95	167	2447	8.87	44	2.70	55	6088	26.84	54	1.30	188	2176	7.89	43	2.60	60	5566	24.54	53	1.45	218	1876	6.80	42	3.50	69	4842	21.35	52	2.30	268	1525	5.53	40	3.70	79	4273	18.84	51	2.40	54	7605	27.57	31	0.95								59	6935	25.14	31	1.05	GFA129 GFAF129 GF129 GFF129	4P								68	6003	21.76			32			1.25								77	5296	19.20			32	1.40								89	4574	16.58					32	1.60										101	4047	14.67	31	1.80								120	3401	12.33	31	1.95								149	2747	9.96	30	2.20								153	2673	9.69	29	1.75								177	2309	8.37	29	1.95								200	2041	7.40	28	2.10								238	1716	6.22	28	2.50								54	7605	27.57	31	0.95	GFA109 GFAF109 GF109 GFF109	4P								59					6935	25.14	31	1.05								68	6003	21.76	32	1.25								77			5296	19.20	32	1.40								89	4574	16.58	32	1.60								101	4047	14.67	31	1.80								120	3401	12.33	31	1.95								149	2747	9.96	30	2.20								153	2673	9.69	29	1.75								177	2309	8.37	29	1.95								200	2041	7.40	28	2.10								238	1716	6.22	28	2.50																																														
39	6964	37.61	38	1.05			46	5888	31.80	38	1.25					53			5105	27.57	38	1.45			58	4655	25.14	37	1.60	GFA109 GFAF109 GF109 GFF109	4P	68		4935	21.76		34		1.50	68		4029		21.76	37		1.85					77			3555			19.20			36	2.10	89	3070	16.58			36			2.40	100	2716	14.67	35	2.70	119	2283	12.33	34	2.90	148	1844	9.96	33			3.30	66	4094	22.11	14	1.00	73	3716	20.07	15	1.10	45kW							85	3194	17.25	15	1.30	22	18835	68.28	77	0.90	GFA159 GFAF159 GF159 GFF159	4P	98	2788	15.06	15	1.45	115	2364	12.77	16	1.75			25	16620	60.25			78	1.00	132	2066	11.16			16			1.90	162	1677	9.06	15	1.35	28	14411	52.24	77	1.20	179	1522	8.22	15	1.45	208			1307	7.06	14	1.70	238	1142	6.17	14	1.85	281	968	5.23	14	2.10	32	12822	46.48	77	1.30	322	846	4.57	14	2.30	37	11051	40.06	76	1.55	37kW							45	8979	32.55	74	1.90	GFA129 GFAF129 GF129 GFF129	4P	17	19461	85.80	84	0.85	54	7614	27.60	72	2.20			19	17796	78.46			84	0.95	30	13448	48.75			52			0.85	22	15487	68.28	84	1.10	35	11613	42.10	53	0.95	25	13665	60.25	83	1.25	40	10273	37.24	53	1.10	28	11849			52.24	82	1.45	47	8631	31.29	53	1.30	32	10542	46.48	81	1.60	59	6974	25.28	53	1.60	37	9086	40.06	80	1.85	55	7404	26.84	53	1.10	45	7383	32.55	77	2.30	60	6769	24.54	53	1.20	54	6260	27.60	75	2.70	69	5889	21.35	52	1.90	27	12531	55.25	58	0.90	79	5197	18.84	51	2.00	30	11057	48.75	58	1.00	91	4507	16.34	50	2.30	35	9549	42.10	57	1.20	102	4011	14.54	49	2.60	40	8446	37.24	56	1.35	118	3456	12.53	48	2.70	47	7097	31.29	56	1.60	145	2808	10.18	46	3.20	59	5734	25.28	55	1.95	167	2447	8.87	44	2.70	55	6088	26.84	54	1.30	188	2176	7.89	43	2.60	60	5566	24.54	53	1.45	218	1876	6.80	42	3.50	69	4842	21.35	52	2.30	268	1525	5.53	40	3.70	79	4273	18.84	51	2.40	54	7605	27.57	31	0.95								59	6935	25.14	31	1.05	GFA129 GFAF129 GF129 GFF129	4P								68	6003	21.76			32	1.25								77			5296			19.20	32	1.40								89			4574	16.58	32	1.60								101					4047	14.67			31	1.80								120	3401	12.33	31	1.95								149	2747	9.96	30	2.20								153	2673	9.69	29	1.75								177	2309	8.37	29	1.95								200	2041	7.40	28	2.10								238	1716	6.22	28	2.50								54	7605	27.57	31	0.95	GFA109 GFAF109 GF109 GFF109	4P								59			6935			25.14	31	1.05								68	6003	21.76	32	1.25								77	5296	19.20	32	1.40									89	4574	16.58	32	1.60								101	4047	14.67	31	1.80								120	3401	12.33	31	1.95								149	2747	9.96	30	2.20								153	2673	9.69	29	1.75								177	2309	8.37	29	1.95								200	2041	7.40	28	2.10								238	1716	6.22	28	2.50																																																									
46	5888	31.80	38	1.25			53	5105	27.57	38	1.45					58			4655	25.14	37	1.60	GFA109 GFAF109 GF109 GFF109	4P	68	4935	21.76	34	1.50			68		4029	21.76		37		1.85	77		3555		19.20	36		2.10					89			3070			16.58			36	2.40	100	2716	14.67			35			2.70	119	2283	12.33	34	2.90	148	1844	9.96	33	3.30	66	4094	22.11	14			1.00	73	3716	20.07	15	1.10	45kW							85	3194	17.25	15	1.30	22	18835	68.28	77	0.90	GFA159 GFAF159 GF159 GFF159	4P	98	2788	15.06			15	1.45	115	2364	12.77	16	1.75	25	16620	60.25			78	1.00	132			2066	11.16	16	1.90	162			1677			9.06	15	1.35	28	14411	52.24	77	1.20	179	1522	8.22	15	1.45	208	1307	7.06	14			1.70	238	1142	6.17	14	1.85	281	968	5.23	14	2.10	32	12822	46.48	77	1.30	322	846	4.57	14	2.30	37	11051	40.06	76	1.55	37kW							45	8979	32.55	74	1.90	GFA129 GFAF129 GF129 GFF129	4P	17			19461	85.80	84	0.85	54	7614	27.60	72	2.20	19			17796	78.46	84			0.95	30	13448	48.75	52			0.85			22	15487	68.28	84	1.10	35	11613	42.10	53	0.95	25	13665	60.25	83	1.25	40	10273	37.24	53	1.10	28	11849	52.24			82	1.45	47	8631	31.29	53	1.30	32	10542	46.48	81	1.60	59	6974	25.28	53	1.60	37	9086	40.06	80	1.85	55	7404	26.84	53	1.10	45	7383	32.55	77	2.30	60	6769	24.54	53	1.20	54	6260	27.60	75	2.70	69	5889	21.35	52	1.90	27	12531	55.25	58	0.90	79	5197	18.84	51	2.00	30	11057	48.75	58	1.00	91	4507	16.34	50	2.30	35	9549	42.10	57	1.20	102	4011	14.54	49	2.60	40	8446	37.24	56	1.35	118	3456	12.53	48	2.70	47	7097	31.29	56	1.60	145	2808	10.18	46	3.20	59	5734	25.28	55	1.95	167	2447	8.87	44	2.70	55	6088	26.84	54	1.30	188	2176	7.89	43	2.60	60	5566	24.54	53	1.45	218	1876	6.80	42	3.50	69	4842	21.35	52	2.30	268	1525	5.53	40	3.70	79	4273	18.84	51	2.40	54	7605	27.57	31	0.95								59	6935	25.14	31	1.05	GFA129 GFAF129 GF129 GFF129			4P								68	6003			21.76	32	1.25										77			5296	19.20	32	1.40										89	4574	16.58	32	1.60												101	4047			14.67	31	1.80								120	3401	12.33	31	1.95								149	2747	9.96	30	2.20								153	2673	9.69	29	1.75								177	2309	8.37	29	1.95								200	2041	7.40	28	2.10								238	1716	6.22	28	2.50								54	7605	27.57	31			0.95	GFA109 GFAF109 GF109 GFF109	4P								59			6935	25.14	31	1.05								68	6003	21.76	32	1.25								77	5296	19.20	32	1.40								89	4574	16.58	32	1.60								101	4047	14.67	31	1.80								120	3401	12.33	31	1.95								149	2747	9.96	30	2.20								153	2673	9.69	29	1.75								177	2309	8.37	29	1.95								200	2041	7.40	28	2.10								238	1716	6.22	28	2.50																																																									
53	5105	27.57	38	1.45																																																																																																																																																																																																																																																																																																																																																																																																																																																																																																																																																																																																																																																																																																																																																																																						
58	4655	25.14	37	1.60	GFA109 GFAF109 GF109 GFF109	4P	68	4935	21.76	34	1.50	68	4029			21.76			37	1.85	77	3555			19.20	36	2.10	89	3070			16.58		36	2.40		100		2716	14.67		35		2.70	119		2283					12.33			34	2.90	148	1844			9.96	33	3.30	66	4094			22.11			14	1.00	73	3716	20.07	15	1.10	45kW							85	3194	17.25	15	1.30	22	18835	68.28	77	0.90	GFA159 GFAF159 GF159 GFF159	4P	98	2788	15.06	15	1.45	115	2364	12.77	16	1.75	25	16620	60.25	78			1.00	132	2066			11.16	16	1.90	162	1677	9.06	15	1.35	28	14411			52.24	77	1.20			179	1522	8.22	15	1.45			208			1307	7.06	14	1.70	238	1142	6.17	14	1.85	281	968	5.23	14	2.10	32	12822	46.48	77	1.30	322	846	4.57	14	2.30	37	11051	40.06	76	1.55	37kW							45	8979	32.55	74	1.90	GFA129 GFAF129 GF129 GFF129	4P	17	19461	85.80	84	0.85	54	7614	27.60	72	2.20	19	17796	78.46	84			0.95			30	13448	48.75	52	0.85	22	15487	68.28	84	1.10			35	11613	42.10			53	0.95	25	13665	60.25			83			1.25	40	10273	37.24	53	1.10	28	11849	52.24	82	1.45	47	8631	31.29	53	1.30	32	10542	46.48	81	1.60	59	6974	25.28	53	1.60	37	9086	40.06	80	1.85	55	7404	26.84	53	1.10	45	7383	32.55	77	2.30	60	6769	24.54	53	1.20	54	6260	27.60	75	2.70	69	5889	21.35	52	1.90	27	12531	55.25	58	0.90	79	5197	18.84	51	2.00	30	11057	48.75	58	1.00	91	4507	16.34	50	2.30	35	9549	42.10	57	1.20	102	4011	14.54	49	2.60	40	8446	37.24	56	1.35	118	3456	12.53	48	2.70	47	7097	31.29	56	1.60	145	2808	10.18	46	3.20	59	5734	25.28	55	1.95	167	2447	8.87	44	2.70	55	6088	26.84	54	1.30	188	2176	7.89	43	2.60	60	5566	24.54	53	1.45	218	1876	6.80	42	3.50	69	4842	21.35	52	2.30	268	1525	5.53	40	3.70	79	4273	18.84	51	2.40	54	7605	27.57	31	0.95								59	6935	25.14	31	1.05	GFA129 GFAF129 GF129 GFF129	4P								68	6003	21.76	32	1.25								77	5296	19.20	32	1.40								89			4574	16.58	32	1.60								101	4047	14.67	31	1.80								120	3401	12.33	31	1.95												149	2747			9.96	30	2.20								153	2673	9.69	29	1.75								177	2309	8.37	29	1.95								200	2041	7.40	28	2.10								238	1716	6.22	28	2.50								54	7605	27.57	31	0.95	GFA109 GFAF109 GF109 GFF109	4P								59	6935	25.14	31	1.05								68	6003			21.76			32	1.25									77	5296	19.20	32	1.40												89	4574	16.58	32	1.60								101	4047	14.67	31	1.80								120	3401	12.33	31	1.95								149	2747	9.96	30	2.20								153	2673	9.69	29	1.75								177	2309	8.37	29	1.95								200	2041	7.40	28	2.10								238	1716	6.22	28	2.50																																																																												
68	4029	21.76	37	1.85			77	3555	19.20	36	2.10	89	3070			16.58			36	2.40	100	2716			14.67	35	2.70	119	2283			12.33		34	2.90		148		1844	9.96		33		3.30	66		4094					22.11	14	1.00	73	3716	20.07	15			1.10	45kW							85	3194	17.25	15	1.30	22	18835	68.28	77	0.90	GFA159 GFAF159 GF159 GFF159	4P	98	2788	15.06	15	1.45	115	2364	12.77	16	1.75	25	16620	60.25	78			1.00	132	2066	11.16	16	1.90	162	1677	9.06	15	1.35	28	14411	52.24			77	1.20	179			1522	8.22	15	1.45	208	1307	7.06	14	1.70	238			1142	6.17	14			1.85	281	968	5.23	14			2.10	32	12822	46.48	77	1.30	322	846	4.57	14	2.30	37	11051	40.06	76	1.55	37kW							45	8979	32.55	74	1.90	GFA129 GFAF129 GF129 GFF129	4P	17	19461	85.80	84	0.85	54	7614	27.60	72	2.20	19	17796	78.46	84			0.95	30	13448	48.75	52	0.85	22	15487	68.28	84	1.10	35	11613	42.10			53			0.95	25	13665	60.25	83	1.25	40	10273	37.24	53			1.10	28	11849			52.24	82	1.45	47	8631			31.29	53	1.30	32	10542	46.48	81	1.60	59	6974	25.28	53	1.60	37	9086	40.06	80	1.85	55	7404	26.84	53	1.10	45	7383	32.55	77	2.30	60	6769	24.54	53	1.20	54	6260	27.60	75	2.70	69	5889	21.35	52	1.90	27	12531	55.25	58	0.90	79	5197	18.84	51	2.00	30	11057	48.75	58	1.00	91	4507	16.34	50	2.30	35	9549	42.10	57	1.20	102	4011	14.54	49	2.60	40	8446	37.24	56	1.35	118	3456	12.53	48	2.70	47	7097	31.29	56	1.60	145	2808	10.18	46	3.20	59	5734	25.28	55	1.95	167	2447	8.87	44	2.70	55	6088	26.84	54	1.30	188	2176	7.89	43	2.60	60	5566	24.54	53	1.45	218	1876	6.80	42	3.50	69	4842	21.35	52	2.30	268	1525	5.53	40	3.70	79	4273	18.84	51	2.40	54	7605	27.57	31	0.95								59	6935	25.14	31	1.05	GFA129 GFAF129 GF129 GFF129	4P								68	6003	21.76	32	1.25								77	5296	19.20	32	1.40											89	4574	16.58	32	1.60								101	4047			14.67	31	1.80								120	3401	12.33	31	1.95								149	2747	9.96	30	2.20								153					2673	9.69			29	1.75								177	2309	8.37	29	1.95								200	2041	7.40	28	2.10								238	1716	6.22	28	2.50								54	7605	27.57	31	0.95	GFA109 GFAF109 GF109 GFF109	4P								59	6935	25.14	31			1.05								68	6003	21.76	32	1.25								77			5296			19.20	32	1.40								89	4574	16.58	32	1.60									101	4047	14.67	31	1.80								120	3401	12.33	31	1.95								149	2747	9.96	30	2.20								153	2673	9.69	29	1.75								177	2309	8.37	29	1.95								200	2041	7.40	28	2.10								238	1716	6.22	28	2.50																																																																																											
77	3555	19.20	36	2.10			89	3070	16.58	36	2.40	100	2716			14.67			35	2.70	119	2283			12.33	34	2.90	148	1844			9.96		33	3.30		66		4094	22.11		14		1.00	73		3716	20.07			15	1.10	45kW								85	3194	17.25	15	1.30	22	18835	68.28	77	0.90	GFA159 GFAF159 GF159 GFF159	4P	98	2788	15.06	15	1.45	115			2364	12.77	16	1.75	25	16620	60.25	78	1.00	132	2066	11.16	16	1.90			162	1677	9.06	15	1.35	28	14411	52.24	77	1.20	179	1522	8.22	15			1.45	208	1307			7.06	14	1.70	238	1142	6.17	14	1.85	281	968			5.23	14	2.10			32	12822	46.48	77	1.30	322	846	4.57	14	2.30	37	11051	40.06	76	1.55	37kW							45	8979	32.55	74	1.90	GFA129 GFAF129 GF129 GFF129	4P	17	19461	85.80	84	0.85	54			7614	27.60	72	2.20	19	17796	78.46	84	0.95	30	13448	48.75	52	0.85			22	15487	68.28	84	1.10	35	11613	42.10	53	0.95	25	13665	60.25	83			1.25			40	10273	37.24	53	1.10	28	11849	52.24	82	1.45			47	8631	31.29			53	1.30	32	10542	46.48	81	1.60	59	6974	25.28	53	1.60	37	9086	40.06	80	1.85	55	7404	26.84	53	1.10	45	7383	32.55	77	2.30	60	6769	24.54	53	1.20	54	6260	27.60	75	2.70	69	5889	21.35	52	1.90	27	12531	55.25	58	0.90	79	5197	18.84	51	2.00	30	11057	48.75	58	1.00	91	4507	16.34	50	2.30	35	9549	42.10	57	1.20	102	4011	14.54	49	2.60	40	8446	37.24	56	1.35	118	3456	12.53	48	2.70	47	7097	31.29	56	1.60	145	2808	10.18	46	3.20	59	5734	25.28	55	1.95	167	2447	8.87	44	2.70	55	6088	26.84	54	1.30	188	2176	7.89	43	2.60	60	5566	24.54	53	1.45	218	1876	6.80	42	3.50	69	4842	21.35	52	2.30	268	1525	5.53	40	3.70	79	4273	18.84	51	2.40	54	7605	27.57	31	0.95								59	6935	25.14	31	1.05	GFA129 GFAF129 GF129 GFF129	4P									68	6003	21.76	32	1.25								77	5296			19.20	32	1.40								89	4574	16.58	32					1.60								101			4047	14.67	31			1.80										120	3401	12.33	31	1.95								149	2747	9.96	30	2.20								153					2673	9.69			29	1.75								177	2309	8.37	29	1.95								200	2041	7.40	28	2.10								238	1716	6.22	28	2.50								54	7605	27.57	31	0.95			GFA109 GFAF109 GF109 GFF109	4P								59	6935			25.14	31	1.05								68	6003	21.76	32	1.25									77			5296	19.20	32	1.40								89	4574	16.58	32	1.60								101	4047	14.67	31	1.80								120	3401	12.33	31	1.95								149	2747	9.96	30	2.20								153	2673	9.69	29	1.75								177	2309	8.37	29	1.95								200	2041	7.40	28	2.10								238	1716	6.22	28	2.50																																																																																											
89	3070	16.58	36	2.40			100	2716	14.67	35	2.70	119	2283			12.33			34	2.90	148	1844			9.96	33	3.30	66	4094			22.11		14	1.00		73		3716	20.07		15	1.10	45kW							85	3194	17.25	15	1.30	22	18835	68.28	77	0.90	GFA159 GFAF159 GF159 GFF159	4P	98	2788	15.06	15	1.45	115	2364	12.77			16	1.75	25	16620	60.25	78			1.00	132	2066	11.16	16	1.90	162	1677	9.06	15	1.35	28	14411	52.24			77	1.20	179	1522	8.22	15	1.45	208	1307	7.06	14	1.70	238	1142			6.17	14	1.85			281	968	5.23	14	2.10	32	12822	46.48	77	1.30			322	846	4.57	14	2.30	37	11051	40.06	76	1.55	37kW							45	8979	32.55	74	1.90	GFA129 GFAF129 GF129 GFF129	4P	17	19461	85.80	84	0.85	54	7614	27.60			72	2.20	19	17796	78.46	84			0.95	30	13448	48.75	52	0.85	22	15487	68.28	84	1.10	35	11613	42.10			53	0.95	25	13665	60.25	83	1.25	40	10273	37.24	53	1.10	28	11849			52.24			82	1.45	47	8631	31.29	53	1.30	32	10542	46.48			81	1.60	59	6974	25.28	53	1.60	37	9086	40.06	80	1.85	55	7404	26.84	53	1.10	45	7383	32.55	77	2.30	60	6769	24.54	53	1.20	54	6260	27.60	75	2.70	69	5889	21.35	52	1.90	27	12531	55.25	58	0.90	79	5197	18.84	51	2.00	30	11057	48.75	58	1.00	91	4507	16.34	50	2.30	35	9549	42.10	57	1.20	102	4011	14.54	49	2.60	40	8446	37.24	56	1.35	118	3456	12.53	48	2.70	47	7097	31.29	56	1.60	145	2808	10.18	46	3.20	59	5734	25.28	55	1.95	167	2447	8.87	44	2.70	55	6088	26.84	54	1.30	188	2176	7.89	43	2.60	60	5566	24.54	53	1.45	218	1876	6.80	42	3.50	69	4842	21.35	52	2.30	268	1525	5.53	40	3.70	79	4273	18.84	51	2.40	54	7605	27.57	31	0.95								59	6935	25.14	31	1.05	GFA129 GFAF129 GF129 GFF129	4P								68			6003	21.76	32	1.25								77	5296	19.20	32	1.40									89	4574	16.58	32	1.60								101	4047					14.67	31	1.80									120	3401	12.33			31	1.95									149	2747	9.96	30	2.20								153	2673	9.69	29	1.75								177			2309	8.37	29	1.95										200	2041	7.40	28	2.10								238	1716	6.22	28	2.50								54	7605	27.57	31	0.95	GFA109 GFAF109 GF109 GFF109	4P								59	6935	25.14	31	1.05												68	6003			21.76	32	1.25								77	5296	19.20	32	1.40									89			4574	16.58	32	1.60								101	4047	14.67	31	1.80								120	3401	12.33	31	1.95								149	2747	9.96	30	2.20								153	2673	9.69	29	1.75								177	2309	8.37	29	1.95								200	2041	7.40	28	2.10								238	1716	6.22	28	2.50																																																																																																							
100	2716	14.67	35	2.70			119	2283	12.33	34	2.90	148	1844			9.96			33	3.30	66	4094			22.11	14	1.00	73	3716			20.07		15	1.10		45kW							85	3194	17.25	15	1.30	22	18835	68.28	77	0.90	GFA159 GFAF159 GF159 GFF159	4P	98	2788	15.06	15	1.45			115	2364	12.77	16	1.75	25	16620	60.25			78	1.00	132	2066	11.16	16			1.90	162	1677	9.06	15	1.35	28	14411	52.24	77	1.20	179	1522	8.22			15	1.45	208	1307	7.06	14	1.70	238	1142	6.17	14	1.85	281	968			5.23	14	2.10			32	12822	46.48	77	1.30	322	846	4.57	14	2.30	37	11051	40.06	76	1.55	37kW							45	8979	32.55	74	1.90	GFA129 GFAF129 GF129 GFF129	4P	17	19461	85.80	84	0.85			54	7614	27.60	72	2.20	19	17796	78.46			84	0.95	30	13448	48.75	52			0.85	22	15487	68.28	84	1.10	35	11613	42.10	53	0.95	25	13665	60.25			83	1.25	40	10273	37.24	53	1.10	28	11849	52.24	82	1.45	47	8631			31.29			53	1.30	32	10542	46.48	81	1.60	59	6974	25.28	53	1.60	37	9086	40.06	80	1.85	55	7404	26.84	53	1.10	45	7383	32.55	77	2.30	60	6769	24.54	53	1.20	54	6260	27.60	75	2.70	69	5889	21.35	52	1.90	27	12531	55.25	58	0.90	79	5197	18.84	51	2.00	30	11057	48.75	58	1.00	91	4507	16.34	50	2.30	35	9549	42.10	57	1.20	102	4011	14.54	49	2.60	40	8446	37.24	56	1.35	118	3456	12.53	48	2.70	47	7097	31.29	56	1.60	145	2808	10.18	46	3.20	59	5734	25.28	55	1.95	167	2447	8.87	44	2.70	55	6088	26.84	54	1.30	188	2176	7.89	43	2.60	60	5566	24.54	53	1.45	218	1876	6.80	42	3.50	69	4842	21.35	52	2.30	268	1525	5.53	40	3.70	79	4273	18.84	51	2.40	54	7605	27.57	31	0.95								59	6935	25.14	31	1.05	GFA129 GFAF129 GF129 GFF129	4P								68	6003	21.76	32	1.25								77	5296	19.20	32			1.40								89	4574	16.58	32	1.60								101	4047	14.67	31	1.80										120	3401	12.33	31	1.95								149	2747			9.96	30	2.20								153	2673	9.69	29	1.75								177	2309	8.37	29	1.95								200			2041	7.40	28	2.10									238	1716	6.22	28	2.50								54	7605	27.57	31	0.95	GFA109 GFAF109 GF109 GFF109	4P								59	6935	25.14	31			1.05								68	6003	21.76	32					1.25								77			5296	19.20	32	1.40								89	4574	16.58	32	1.60								101			4047	14.67	31	1.80								120	3401	12.33	31	1.95								149	2747	9.96	30	2.20								153	2673	9.69	29	1.75								177	2309	8.37	29	1.95								200	2041	7.40	28	2.10								238	1716	6.22	28	2.50																																																																																																																			
119	2283	12.33	34	2.90			148	1844	9.96	33	3.30	66	4094			22.11			14	1.00	73	3716			20.07	15	1.10	45kW							85	3194	17.25	15	1.30	22	18835	68.28	77	0.90	GFA159 GFAF159 GF159 GFF159	4P	98	2788	15.06	15	1.45	115	2364			12.77	16	1.75	25	16620			60.25	78	1.00	132	2066	11.16	16	1.90			162	1677	9.06	15	1.35	28			14411	52.24	77	1.20	179	1522	8.22	15	1.45	208	1307	7.06	14	1.70			238	1142	6.17	14	1.85	281	968	5.23	14	2.10	32	12822	46.48	77			1.30	322	846	4.57	14	2.30	37	11051	40.06	76	1.55	37kW							45	8979	32.55	74	1.90	GFA129 GFAF129 GF129 GFF129	4P	17	19461	85.80	84	0.85	54	7614			27.60	72	2.20	19	17796			78.46	84	0.95	30	13448	48.75	52	0.85			22	15487	68.28	84	1.10	35			11613	42.10	53	0.95	25	13665	60.25	83	1.25	40	10273	37.24	53	1.10			28	11849	52.24	82	1.45	47	8631	31.29	53	1.30	32	10542	46.48	81			1.60	59	6974	25.28	53	1.60	37	9086	40.06	80	1.85	55	7404	26.84	53	1.10	45	7383	32.55	77	2.30	60	6769	24.54	53	1.20	54	6260	27.60	75	2.70	69	5889	21.35	52	1.90	27	12531	55.25	58	0.90	79	5197	18.84	51	2.00	30	11057	48.75	58	1.00	91	4507	16.34	50	2.30	35	9549	42.10	57	1.20	102	4011	14.54	49	2.60	40	8446	37.24	56	1.35	118	3456	12.53	48	2.70	47	7097	31.29	56	1.60	145	2808	10.18	46	3.20	59	5734	25.28	55	1.95	167	2447	8.87	44	2.70	55	6088	26.84	54	1.30	188	2176	7.89	43	2.60	60	5566	24.54	53	1.45	218	1876	6.80	42	3.50	69	4842	21.35	52	2.30	268	1525	5.53	40	3.70	79	4273	18.84	51	2.40	54	7605	27.57	31	0.95								59	6935	25.14	31	1.05	GFA129 GFAF129 GF129 GFF129	4P										68	6003	21.76	32	1.25										77			5296	19.20	32	1.40								89	4574	16.58	32	1.60									101	4047	14.67	31	1.80								120	3401					12.33	31	1.95									149	2747	9.96			30	2.20									153	2673	9.69	29	1.75								177	2309	8.37	29	1.95								200			2041	7.40	28	2.10								238	1716	6.22	28	2.50								54	7605	27.57	31	0.95	GFA109 GFAF109 GF109 GFF109			4P								59	6935	25.14			31	1.05								68	6003	21.76					32	1.25										77	5296	19.20	32	1.40								89	4574	16.58	32	1.60										101	4047	14.67	31	1.80								120	3401	12.33	31	1.95								149	2747	9.96	30	2.20								153	2673	9.69	29	1.75								177	2309	8.37	29	1.95								200	2041	7.40	28	2.10								238	1716	6.22	28	2.50																																																																																																																		
148	1844	9.96	33	3.30			66	4094	22.11	14	1.00	73	3716			20.07			15	1.10	45kW							85	3194	17.25	15	1.30	22	18835	68.28	77	0.90	GFA159 GFAF159 GF159 GFF159	4P	98	2788	15.06	15	1.45			115	2364	12.77	16	1.75	25	16620			60.25	78	1.00	132	2066			11.16	16	1.90	162	1677	9.06	15	1.35			28	14411	52.24	77	1.20	179			1522	8.22	15	1.45	208	1307	7.06	14	1.70	238	1142	6.17	14	1.85			281	968	5.23	14	2.10	32	12822	46.48	77	1.30	322	846	4.57	14	2.30	37	11051	40.06	76	1.55	37kW							45	8979	32.55	74	1.90	GFA129 GFAF129 GF129 GFF129	4P	17	19461	85.80	84	0.85			54	7614	27.60	72	2.20	19	17796			78.46	84	0.95	30	13448			48.75	52	0.85	22	15487	68.28	84	1.10			35	11613	42.10	53	0.95	25			13665	60.25	83	1.25	40	10273	37.24	53	1.10	28	11849	52.24	82	1.45			47	8631	31.29	53	1.30	32	10542	46.48	81	1.60	59	6974	25.28	53	1.60	37	9086	40.06	80	1.85	55	7404	26.84	53	1.10	45	7383	32.55	77	2.30	60	6769	24.54	53	1.20	54	6260	27.60	75	2.70	69	5889	21.35	52	1.90	27	12531	55.25	58	0.90	79	5197	18.84	51	2.00	30	11057	48.75	58	1.00	91	4507	16.34	50	2.30	35	9549	42.10	57	1.20	102	4011	14.54	49	2.60	40	8446	37.24	56	1.35	118	3456	12.53	48	2.70	47	7097	31.29	56	1.60	145	2808	10.18	46	3.20	59	5734	25.28	55	1.95	167	2447	8.87	44	2.70	55	6088	26.84	54	1.30	188	2176	7.89	43	2.60	60	5566	24.54	53	1.45	218	1876	6.80	42	3.50	69	4842	21.35	52	2.30	268	1525	5.53	40	3.70	79	4273	18.84	51	2.40	54	7605	27.57	31	0.95								59	6935	25.14	31	1.05	GFA129 GFAF129 GF129 GFF129	4P								68	6003	21.76	32	1.25								77	5296			19.20	32	1.40								89	4574	16.58	32	1.60								101	4047	14.67	31	1.80								120	3401	12.33	31	1.95								149	2747					9.96	30	2.20									153	2673	9.69			29	1.75									177	2309	8.37	29	1.95								200	2041	7.40	28	2.10								238			1716	6.22	28	2.50								54	7605	27.57	31	0.95	GFA109 GFAF109 GF109 GFF109	4P								59	6935	25.14					31	1.05								68			6003	21.76	32	1.25								77					5296	19.20	32	1.40								89	4574	16.58	32	1.60								101	4047	14.67	31	1.80								120	3401	12.33	31	1.95								149	2747	9.96	30	2.20								153	2673	9.69	29	1.75								177	2309	8.37	29	1.95								200	2041	7.40	28	2.10								238	1716	6.22	28	2.50																																																																																																																																
66	4094	22.11	14	1.00																																																																																																																																																																																																																																																																																																																																																																																																																																																																																																																																																																																																																																																																																																																																																																																						
73	3716	20.07	15	1.10	45kW																																																																																																																																																																																																																																																																																																																																																																																																																																																																																																																																																																																																																																																																																																																																																																																					
85	3194	17.25	15	1.30	22	18835	68.28	77	0.90	GFA159 GFAF159 GF159 GFF159	4P																																																																																																																																																																																																																																																																																																																																																																																																																																																																																																																																																																																																																																																																																																																																																																															
98	2788	15.06	15	1.45	115	2364	12.77	16	1.75			25	16620	60.25	78	1.00	132	2066	11.16	16	1.90	162	1677	9.06	15	1.35	28	14411	52.24	77	1.20	179	1522	8.22	15	1.45	208			1307	7.06	14	1.70	238			1142	6.17	14	1.85	281	968	5.23			14	2.10	32	12822	46.48			77	1.30	322	846	4.57	14	2.30	37	11051	40.06	76	1.55	37kW							45	8979	32.55	74	1.90	GFA129 GFAF129 GF129 GFF129	4P	17	19461	85.80	84	0.85	54	7614	27.60	72	2.20	19	17796	78.46	84	0.95	30	13448	48.75	52	0.85	22	15487	68.28	84	1.10	35	11613	42.10	53	0.95	25	13665	60.25	83	1.25	40	10273	37.24	53	1.10			28	11849	52.24	82	1.45			47	8631	31.29	53	1.30	32	10542			46.48	81	1.60	59	6974			25.28	53	1.60	37	9086	40.06	80	1.85	55	7404	26.84	53	1.10	45	7383	32.55	77	2.30	60	6769	24.54	53	1.20	54	6260	27.60	75	2.70	69	5889	21.35	52	1.90	27	12531	55.25	58	0.90	79	5197	18.84	51	2.00	30	11057	48.75	58	1.00	91	4507	16.34	50	2.30	35	9549	42.10	57	1.20	102	4011	14.54	49	2.60	40	8446	37.24	56	1.35	118	3456	12.53	48	2.70	47	7097	31.29	56	1.60	145	2808	10.18	46	3.20	59	5734	25.28	55	1.95	167	2447	8.87	44	2.70	55	6088	26.84	54	1.30	188	2176	7.89	43	2.60	60	5566	24.54	53	1.45	218	1876	6.80	42	3.50	69	4842	21.35	52	2.30	268	1525	5.53	40	3.70	79	4273	18.84	51	2.40	54	7605	27.57	31	0.95								59	6935	25.14	31	1.05	GFA129 GFAF129 GF129 GFF129	4P								68	6003	21.76	32	1.25								77	5296	19.20	32	1.40								89	4574	16.58	32	1.60								101			4047	14.67	31	1.80								120	3401	12.33			31	1.95								149	2747	9.96	30	2.20								153	2673			9.69	29	1.75								177	2309	8.37	29			1.95								200	2041	7.40	28	2.10								238	1716	6.22	28	2.50										54	7605	27.57	31	0.95	GFA109 GFAF109 GF109 GFF109	4P								59	6935	25.14	31	1.05								68	6003	21.76	32	1.25								77	5296	19.20	32	1.40								89	4574	16.58			32	1.60								101					4047	14.67	31	1.80									120	3401	12.33	31	1.95								149	2747	9.96	30	2.20								153	2673	9.69	29	1.75								177	2309	8.37	29	1.95								200	2041	7.40	28	2.10								238	1716	6.22	28	2.50																																																																																																																																																																																			
115	2364	12.77	16	1.75	25	16620	60.25	78	1.00			132	2066	11.16	16	1.90	162	1677	9.06	15	1.35	28	14411	52.24	77	1.20	179	1522	8.22	15	1.45	208	1307	7.06	14	1.70	238			1142	6.17	14	1.85	281			968	5.23	14	2.10	32	12822	46.48			77	1.30	322	846	4.57	14	2.30	37	11051	40.06	76	1.55	37kW							45	8979	32.55	74	1.90	GFA129 GFAF129 GF129 GFF129	4P	17	19461	85.80	84	0.85			54	7614	27.60	72	2.20	19	17796	78.46	84	0.95	30	13448	48.75	52	0.85	22	15487	68.28	84	1.10	35	11613	42.10	53	0.95	25	13665	60.25	83	1.25	40	10273	37.24	53	1.10	28	11849	52.24	82	1.45			47	8631	31.29	53	1.30			32	10542	46.48	81	1.60	59	6974			25.28	53	1.60	37	9086	40.06	80	1.85	55	7404	26.84	53	1.10	45	7383	32.55	77	2.30	60	6769	24.54	53	1.20	54	6260	27.60	75	2.70	69	5889	21.35	52	1.90	27	12531	55.25	58	0.90	79	5197	18.84	51	2.00	30	11057	48.75	58	1.00	91	4507	16.34	50	2.30	35	9549	42.10	57	1.20	102	4011	14.54	49	2.60	40	8446	37.24	56	1.35	118	3456	12.53	48	2.70	47	7097	31.29	56	1.60	145	2808	10.18	46	3.20	59	5734	25.28	55	1.95	167	2447	8.87	44	2.70	55	6088	26.84	54	1.30	188	2176	7.89	43	2.60	60	5566	24.54	53	1.45	218	1876	6.80	42	3.50	69	4842	21.35	52	2.30	268	1525	5.53	40	3.70	79	4273	18.84	51	2.40	54	7605	27.57	31	0.95								59	6935	25.14	31	1.05	GFA129 GFAF129 GF129 GFF129	4P								68	6003	21.76	32	1.25								77	5296	19.20	32	1.40								89	4574	16.58	32	1.60								101	4047	14.67	31	1.80								120	3401	12.33			31	1.95								149	2747	9.96	30	2.20										153			2673	9.69	29	1.75								177	2309	8.37	29	1.95									200	2041	7.40	28	2.10								238	1716					6.22	28	2.50									54	7605	27.57	31	0.95	GFA109 GFAF109 GF109 GFF109	4P								59	6935	25.14	31	1.05								68	6003	21.76	32	1.25								77	5296	19.20	32	1.40								89	4574	16.58	32	1.60								101	4047	14.67	31	1.80								120	3401	12.33	31	1.95								149	2747	9.96	30	2.20								153	2673	9.69	29	1.75								177	2309	8.37	29	1.95								200	2041	7.40	28	2.10								238	1716	6.22	28	2.50																																																																																																																																																																																															
132	2066	11.16	16	1.90	162	1677	9.06	15	1.35			28	14411	52.24	77	1.20	179	1522	8.22	15	1.45	208	1307	7.06	14	1.70	238	1142	6.17	14	1.85	281	968	5.23	14	2.10	32			12822	46.48	77	1.30	322			846	4.57	14	2.30	37	11051	40.06	76	1.55	37kW							45	8979	32.55	74	1.90	GFA129 GFAF129 GF129 GFF129	4P	17	19461	85.80	84	0.85	54	7614	27.60	72	2.20			19	17796	78.46	84	0.95			30	13448	48.75	52	0.85	22	15487	68.28	84	1.10	35	11613	42.10	53	0.95	25	13665	60.25	83	1.25	40	10273	37.24	53	1.10	28	11849	52.24	82	1.45	47	8631	31.29	53	1.30	32	10542	46.48	81	1.60			59	6974	25.28	53	1.60			37	9086	40.06	80	1.85	55	7404	26.84	53	1.10	45	7383	32.55	77	2.30	60	6769	24.54	53	1.20	54	6260	27.60	75	2.70	69	5889	21.35	52	1.90	27	12531	55.25	58	0.90	79	5197	18.84	51	2.00	30	11057	48.75	58	1.00	91	4507	16.34	50	2.30	35	9549	42.10	57	1.20	102	4011	14.54	49	2.60	40	8446	37.24	56	1.35	118	3456	12.53	48	2.70	47	7097	31.29	56	1.60	145	2808	10.18	46	3.20	59	5734	25.28	55	1.95	167	2447	8.87	44	2.70	55	6088	26.84	54	1.30	188	2176	7.89	43	2.60	60	5566	24.54	53	1.45	218	1876	6.80	42	3.50	69	4842	21.35	52	2.30	268	1525	5.53	40	3.70	79	4273	18.84	51	2.40	54	7605	27.57	31	0.95								59	6935	25.14	31	1.05	GFA129 GFAF129 GF129 GFF129	4P								68	6003	21.76			32	1.25								77	5296	19.20	32	1.40								89	4574	16.58	32	1.60								101	4047	14.67	31	1.80								120	3401	12.33	31	1.95								149			2747	9.96	30	2.20								153	2673	9.69			29	1.75									177	2309	8.37	29	1.95								200	2041	7.40	28	2.10								238	1716	6.22	28	2.50								54	7605					27.57	31	0.95	GFA109 GFAF109 GF109 GFF109	4P								59	6935	25.14	31			1.05								68	6003	21.76	32	1.25								77	5296	19.20	32	1.40								89	4574	16.58	32	1.60								101	4047	14.67	31	1.80								120	3401	12.33	31	1.95								149	2747	9.96	30	2.20								153	2673	9.69	29	1.75								177	2309	8.37	29	1.95								200	2041	7.40	28	2.10								238	1716	6.22	28	2.50																																																																																																																																																																																																										
162	1677	9.06	15	1.35	28	14411	52.24	77	1.20			179	1522	8.22	15	1.45	208	1307	7.06	14	1.70	238	1142	6.17	14	1.85	281	968	5.23	14	2.10	32	12822	46.48	77	1.30	322			846	4.57	14	2.30	37	11051	40.06	76	1.55	37kW							45	8979	32.55	74	1.90	GFA129 GFAF129 GF129 GFF129	4P	17	19461	85.80	84	0.85			54	7614	27.60	72	2.20	19	17796	78.46	84	0.95			30	13448	48.75	52	0.85			22	15487	68.28	84	1.10	35	11613	42.10	53	0.95	25	13665	60.25	83	1.25	40	10273	37.24	53	1.10	28	11849	52.24	82	1.45	47	8631	31.29	53	1.30	32	10542	46.48	81	1.60	59	6974	25.28	53	1.60			37	9086	40.06	80	1.85	55	7404	26.84	53	1.10	45	7383	32.55	77	2.30	60	6769	24.54	53	1.20	54	6260	27.60	75	2.70	69	5889	21.35	52	1.90	27	12531	55.25	58	0.90	79	5197	18.84	51	2.00	30	11057	48.75	58	1.00	91	4507	16.34	50	2.30	35	9549	42.10	57	1.20	102	4011	14.54	49	2.60	40	8446	37.24	56	1.35	118	3456	12.53	48	2.70	47	7097	31.29	56	1.60	145	2808	10.18	46	3.20	59	5734	25.28	55	1.95	167	2447	8.87	44	2.70	55	6088	26.84	54	1.30	188	2176	7.89	43	2.60	60	5566	24.54	53	1.45	218	1876	6.80	42	3.50	69	4842	21.35	52	2.30	268	1525	5.53	40	3.70	79	4273	18.84	51	2.40	54	7605	27.57	31	0.95								59	6935	25.14	31	1.05	GFA129 GFAF129 GF129 GFF129	4P								68	6003	21.76	32	1.25								77	5296	19.20	32	1.40										89	4574	16.58	32	1.60								101	4047	14.67	31	1.80								120	3401	12.33	31	1.95								149			2747	9.96	30	2.20								153	2673	9.69			29	1.75								177	2309	8.37	29	1.95								200	2041			7.40	28	2.10								238	1716	6.22	28			2.50								54	7605	27.57	31	0.95	GFA109 GFAF109 GF109 GFF109		4P								59	6935	25.14	31	1.05									68	6003	21.76			32	1.25								77	5296	19.20	32	1.40								89	4574	16.58	32	1.60								101	4047	14.67	31	1.80								120			3401	12.33	31	1.95								149	2747	9.96	30	2.20								153	2673	9.69	29	1.75								177	2309	8.37	29	1.95								200	2041	7.40	28	2.10								238	1716	6.22	28	2.50																																																																																																																																																																																																														
179	1522	8.22	15	1.45	208	1307	7.06	14	1.70			238	1142	6.17	14	1.85	281	968	5.23	14	2.10	32	12822	46.48	77	1.30	322	846	4.57	14	2.30	37	11051	40.06	76	1.55	37kW							45	8979	32.55	74	1.90	GFA129 GFAF129 GF129 GFF129	4P	17	19461	85.80	84	0.85	54	7614	27.60	72	2.20			19	17796	78.46	84	0.95			30	13448	48.75	52	0.85	22	15487	68.28	84	1.10			35	11613	42.10	53	0.95			25	13665	60.25	83	1.25	40	10273	37.24	53	1.10	28	11849	52.24	82	1.45	47	8631	31.29	53	1.30	32	10542	46.48	81	1.60	59	6974	25.28	53	1.60	37	9086	40.06	80	1.85	55	7404	26.84	53	1.10	45	7383	32.55	77	2.30	60	6769	24.54	53	1.20	54	6260	27.60	75	2.70	69	5889	21.35	52	1.90	27	12531	55.25	58	0.90	79	5197	18.84	51	2.00	30	11057	48.75	58	1.00	91	4507	16.34	50	2.30	35	9549	42.10	57	1.20	102	4011	14.54	49	2.60	40	8446	37.24	56	1.35	118	3456	12.53	48	2.70	47	7097	31.29	56	1.60	145	2808	10.18	46	3.20	59	5734	25.28	55	1.95	167	2447	8.87	44	2.70	55	6088	26.84	54	1.30	188	2176	7.89	43	2.60	60	5566	24.54	53	1.45	218	1876	6.80	42	3.50	69	4842	21.35	52	2.30	268	1525	5.53	40	3.70	79	4273	18.84	51	2.40	54	7605	27.57	31	0.95								59	6935	25.14	31	1.05	GFA129 GFAF129 GF129 GFF129	4P								68	6003	21.76			32	1.25								77	5296	19.20	32	1.40								89	4574	16.58			32	1.60								101	4047	14.67	31	1.80								120	3401	12.33	31	1.95								149	2747	9.96	30	2.20									153	2673	9.69	29	1.75												177	2309	8.37	29	1.95										200			2041	7.40	28	2.10								238	1716	6.22	28	2.50									54	7605	27.57	31	0.95	GFA109 GFAF109 GF109 GFF109	4P								59		6935	25.14	31	1.05								68	6003	21.76	32	1.25										77	5296	19.20	32	1.40								89	4574	16.58	32	1.60								101	4047	14.67	31	1.80								120	3401	12.33	31	1.95								149	2747	9.96	30	2.20								153	2673	9.69	29	1.75								177	2309	8.37	29	1.95								200	2041	7.40	28	2.10								238	1716	6.22	28	2.50																																																																																																																																																																																																																									
208	1307	7.06	14	1.70	238	1142	6.17	14	1.85			281	968	5.23	14	2.10	32	12822	46.48	77	1.30	322	846	4.57	14	2.30	37	11051	40.06	76	1.55	37kW							45	8979	32.55	74	1.90	GFA129 GFAF129 GF129 GFF129	4P	17	19461	85.80			84	0.85	54	7614	27.60	72	2.20	19	17796	78.46			84	0.95	30	13448	48.75			52	0.85	22	15487	68.28	84	1.10	35	11613	42.10			53	0.95	25	13665	60.25			83	1.25	40	10273	37.24	53	1.10	28	11849	52.24	82	1.45	47	8631	31.29	53	1.30	32	10542	46.48	81	1.60	59	6974	25.28	53	1.60	37	9086	40.06	80	1.85	55	7404	26.84	53	1.10	45	7383	32.55	77	2.30	60	6769	24.54	53	1.20	54	6260	27.60	75	2.70	69	5889	21.35	52	1.90	27	12531	55.25	58	0.90	79	5197	18.84	51	2.00	30	11057	48.75	58	1.00	91	4507	16.34	50	2.30	35	9549	42.10	57	1.20	102	4011	14.54	49	2.60	40	8446	37.24	56	1.35	118	3456	12.53	48	2.70	47	7097	31.29	56	1.60	145	2808	10.18	46	3.20	59	5734	25.28	55	1.95	167	2447	8.87	44	2.70	55	6088	26.84	54	1.30	188	2176	7.89	43	2.60	60	5566	24.54	53	1.45	218	1876	6.80	42	3.50	69	4842	21.35	52	2.30	268	1525	5.53	40	3.70	79	4273	18.84	51	2.40	54	7605	27.57	31	0.95								59	6935	25.14	31	1.05	GFA129 GFAF129 GF129 GFF129	4P								68	6003	21.76	32	1.25								77			5296	19.20	32	1.40									89	4574	16.58	32	1.60										101	4047	14.67	31	1.80								120	3401	12.33	31	1.95								149	2747	9.96	30	2.20								153			2673	9.69	29	1.75								177	2309	8.37			29	1.95								200	2041	7.40	28	2.10								238	1716			6.22	28	2.50								54	7605	27.57	31			0.95	GFA109 GFAF109 GF109 GFF109	4P								59	6935	25.14		31		1.05								68	6003	21.76	32	1.25								77	5296	19.20			32	1.40								89	4574	16.58	32	1.60								101	4047	14.67	31	1.80								120	3401	12.33	31	1.95								149	2747	9.96	30	2.20								153	2673	9.69	29	1.75								177	2309	8.37	29	1.95								200	2041	7.40	28	2.10								238	1716	6.22	28	2.50																																																																																																																																																																																																																												
238	1142	6.17	14	1.85																																																																																																																																																																																																																																																																																																																																																																																																																																																																																																																																																																																																																																																																																																																																																																																						
281	968	5.23	14	2.10	32	12822	46.48	77	1.30																																																																																																																																																																																																																																																																																																																																																																																																																																																																																																																																																																																																																																																																																																																																																																																	
322	846	4.57	14	2.30	37	11051	40.06	76	1.55																																																																																																																																																																																																																																																																																																																																																																																																																																																																																																																																																																																																																																																																																																																																																																																	
37kW							45	8979	32.55	74	1.90	GFA129 GFAF129 GF129 GFF129	4P																																																																																																																																																																																																																																																																																																																																																																																																																																																																																																																																																																																																																																																																																																																																																																													
17	19461	85.80	84	0.85	54	7614	27.60	72	2.20	19	17796			78.46	84	0.95	30	13448	48.75	52	0.85	22	15487	68.28	84	1.10	35	11613	42.10	53	0.95	25	13665	60.25	83	1.25	40	10273	37.24	53	1.10	28	11849			52.24	82	1.45			47	8631	31.29	53	1.30	32	10542	46.48	81	1.60			59	6974	25.28	53	1.60	37	9086	40.06	80	1.85	55	7404	26.84	53	1.10	45	7383	32.55	77	2.30	60	6769	24.54	53	1.20	54	6260	27.60	75	2.70	69	5889	21.35	52	1.90	27	12531	55.25	58	0.90	79	5197	18.84	51	2.00	30	11057	48.75	58	1.00	91	4507	16.34	50	2.30	35	9549	42.10	57	1.20	102	4011	14.54	49	2.60	40	8446	37.24	56	1.35	118	3456	12.53	48	2.70	47	7097	31.29	56	1.60	145	2808	10.18	46	3.20	59	5734	25.28	55	1.95	167	2447	8.87	44	2.70	55	6088	26.84	54	1.30	188	2176	7.89	43	2.60	60	5566	24.54	53	1.45	218	1876	6.80	42	3.50	69	4842	21.35	52	2.30	268	1525	5.53	40	3.70	79	4273	18.84	51	2.40	54	7605	27.57	31	0.95								59	6935	25.14	31	1.05	GFA129 GFAF129 GF129 GFF129	4P								68	6003	21.76	32	1.25								77	5296	19.20	32	1.40								89	4574	16.58	32	1.60								101	4047	14.67			31			1.80								120	3401			12.33	31	1.95								149	2747	9.96	30	2.20								153	2673			9.69	29	1.75								177	2309	8.37	29	1.95								200	2041	7.40	28	2.10								238	1716	6.22	28	2.50								54	7605	27.57	31	0.95			GFA109 GFAF109 GF109 GFF109	4P								59	6935	25.14	31	1.05								68	6003	21.76	32	1.25								77	5296	19.20	32	1.40								89	4574	16.58	32	1.60								101	4047	14.67	31	1.80								120	3401	12.33	31	1.95								149	2747	9.96	30	2.20								153	2673	9.69	29	1.75								177	2309	8.37	29	1.95								200	2041	7.40	28	2.10								238	1716	6.22	28	2.50																																																																																																																																																																																																																																																																																			
19	17796	78.46	84	0.95	30	13448	48.75	52	0.85	22	15487			68.28	84	1.10	35	11613	42.10	53	0.95	25	13665	60.25	83	1.25	40	10273	37.24	53	1.10	28	11849	52.24	82	1.45	47	8631	31.29	53	1.30	32	10542			46.48	81	1.60			59	6974	25.28	53	1.60	37	9086	40.06	80	1.85	55	7404	26.84	53	1.10	45	7383	32.55	77	2.30	60	6769	24.54	53	1.20	54	6260	27.60	75	2.70	69	5889	21.35	52	1.90	27	12531	55.25	58	0.90	79	5197	18.84	51	2.00	30	11057	48.75	58	1.00	91	4507	16.34	50	2.30	35	9549	42.10	57	1.20	102	4011	14.54	49	2.60	40	8446	37.24	56	1.35	118	3456	12.53	48	2.70	47	7097	31.29	56	1.60	145	2808	10.18	46	3.20	59	5734	25.28	55	1.95	167	2447	8.87	44	2.70	55	6088	26.84	54	1.30	188	2176	7.89	43	2.60	60	5566	24.54	53	1.45	218	1876	6.80	42	3.50	69	4842	21.35	52	2.30	268	1525	5.53	40	3.70	79	4273	18.84	51	2.40	54	7605	27.57	31	0.95								59	6935	25.14	31	1.05	GFA129 GFAF129 GF129 GFF129	4P								68	6003	21.76			32	1.25								77	5296	19.20	32	1.40								89	4574	16.58	32	1.60								101	4047	14.67	31	1.80								120			3401			12.33	31	1.95										149	2747	9.96	30	2.20										153	2673	9.69			29	1.75								177	2309	8.37	29	1.95								200	2041	7.40	28	2.10								238	1716	6.22	28	2.50								54	7605	27.57	31	0.95	GFA109 GFAF109 GF109 GFF109			4P									59	6935	25.14	31	1.05								68	6003	21.76	32	1.25								77	5296	19.20	32	1.40								89	4574	16.58	32	1.60								101			4047	14.67			31	1.80								120	3401	12.33	31	1.95								149	2747	9.96	30	2.20								153	2673	9.69	29	1.75								177	2309	8.37	29	1.95								200	2041	7.40	28	2.10								238	1716	6.22	28	2.50																																																																																																																																																																																																																																																																																						
22	15487	68.28	84	1.10	35	11613	42.10	53	0.95	25	13665			60.25	83	1.25	40	10273	37.24	53	1.10	28	11849	52.24	82	1.45	47	8631	31.29	53	1.30	32	10542	46.48	81	1.60	59	6974	25.28	53	1.60	37	9086			40.06	80	1.85	55	7404	26.84	53	1.10	45	7383	32.55	77	2.30	60	6769	24.54	53	1.20	54	6260	27.60	75	2.70	69	5889	21.35	52	1.90	27	12531	55.25	58	0.90	79	5197	18.84	51	2.00	30	11057	48.75	58	1.00	91	4507	16.34	50	2.30	35	9549	42.10	57	1.20	102	4011	14.54	49	2.60	40	8446	37.24	56	1.35	118	3456	12.53	48	2.70	47	7097	31.29	56	1.60	145	2808	10.18	46	3.20	59	5734	25.28	55	1.95	167	2447	8.87	44	2.70	55	6088	26.84	54	1.30	188	2176	7.89	43	2.60	60	5566	24.54	53	1.45	218	1876	6.80	42	3.50	69	4842	21.35	52	2.30	268	1525	5.53	40	3.70	79	4273	18.84	51	2.40	54	7605	27.57	31	0.95								59	6935	25.14	31	1.05	GFA129 GFAF129 GF129 GFF129	4P								68	6003	21.76			32	1.25								77			5296	19.20	32	1.40								89	4574	16.58	32	1.60								101	4047	14.67	31	1.80								120	3401	12.33	31	1.95									149			2747	9.96	30	2.20									153	2673	9.69	29	1.75										177	2309	8.37			29	1.95								200	2041	7.40	28	2.10								238	1716	6.22	28	2.50								54	7605	27.57	31	0.95	GFA109 GFAF109 GF109 GFF109	4P								59	6935	25.14		31	1.05										68	6003	21.76	32	1.25								77	5296	19.20	32	1.40								89	4574	16.58	32	1.60								101	4047	14.67	31	1.80								120			3401	12.33	31	1.95								149	2747	9.96	30	2.20								153	2673	9.69	29	1.75								177	2309	8.37	29	1.95								200	2041	7.40	28	2.10								238	1716	6.22	28	2.50																																																																																																																																																																																																																																																																																																				
25	13665	60.25	83	1.25	40	10273	37.24	53	1.10	28	11849			52.24	82	1.45	47	8631	31.29	53	1.30	32	10542	46.48	81	1.60	59	6974	25.28	53	1.60	37	9086	40.06	80	1.85	55	7404	26.84	53	1.10	45	7383	32.55	77	2.30	60	6769	24.54	53	1.20	54	6260	27.60	75	2.70	69	5889	21.35	52	1.90	27	12531	55.25	58	0.90	79	5197	18.84	51	2.00	30	11057	48.75	58	1.00	91	4507	16.34	50	2.30	35	9549	42.10	57	1.20	102	4011	14.54	49	2.60	40	8446	37.24	56	1.35	118	3456	12.53	48	2.70	47	7097	31.29	56	1.60	145	2808	10.18	46	3.20	59	5734	25.28	55	1.95	167	2447	8.87	44	2.70	55	6088	26.84	54	1.30	188	2176	7.89	43	2.60	60	5566	24.54	53	1.45	218	1876	6.80	42	3.50	69	4842	21.35	52	2.30	268	1525	5.53	40	3.70	79	4273	18.84	51	2.40	54	7605	27.57	31	0.95								59	6935	25.14	31	1.05	GFA129 GFAF129 GF129 GFF129	4P								68	6003	21.76			32	1.25								77			5296	19.20	32	1.40									89	4574	16.58	32	1.60								101	4047	14.67	31	1.80								120	3401	12.33	31	1.95								149	2747	9.96	30	2.20								153			2673	9.69	29	1.75									177	2309	8.37	29	1.95										200	2041	7.40			28	2.10								238	1716	6.22	28	2.50								54	7605	27.57	31	0.95	GFA109 GFAF109 GF109 GFF109	4P								59	6935	25.14			31	1.05								68		6003	21.76		32	1.25								77	5296	19.20	32	1.40								89	4574	16.58	32	1.60								101	4047	14.67	31	1.80								120	3401	12.33	31	1.95								149	2747	9.96	30	2.20								153	2673	9.69	29	1.75								177	2309	8.37	29	1.95								200	2041	7.40	28	2.10								238	1716	6.22	28	2.50																																																																																																																																																																																																																																																																																																																	
28	11849	52.24	82	1.45	47	8631	31.29	53	1.30	32	10542			46.48	81	1.60	59	6974	25.28	53	1.60	37	9086	40.06	80	1.85	55	7404	26.84	53	1.10	45	7383	32.55	77	2.30	60	6769	24.54	53	1.20	54	6260	27.60	75	2.70	69	5889	21.35	52	1.90	27	12531	55.25	58	0.90	79	5197	18.84	51	2.00	30	11057	48.75	58	1.00	91	4507	16.34	50	2.30	35	9549	42.10	57	1.20	102	4011	14.54	49	2.60	40	8446	37.24	56	1.35	118	3456	12.53	48	2.70	47	7097	31.29	56	1.60	145	2808	10.18	46	3.20	59	5734	25.28	55	1.95	167	2447	8.87	44	2.70	55	6088	26.84	54	1.30	188	2176	7.89	43	2.60	60	5566	24.54	53	1.45	218	1876	6.80	42	3.50	69	4842	21.35	52	2.30	268	1525	5.53	40	3.70	79	4273	18.84	51	2.40	54	7605	27.57	31	0.95								59	6935	25.14	31	1.05	GFA129 GFAF129 GF129 GFF129	4P								68			6003	21.76	32	1.25									77	5296	19.20	32	1.40								89	4574	16.58	32	1.60								101	4047	14.67	31	1.80								120	3401	12.33	31	1.95								149	2747	9.96	30	2.20								153	2673	9.69	29	1.75								177			2309	8.37	29	1.95									200	2041	7.40	28	2.10										238	1716	6.22			28	2.50								54	7605	27.57	31	0.95	GFA109 GFAF109 GF109 GFF109	4P								59	6935	25.14			31	1.05								68			6003	21.76	32	1.25								77	5296		19.20	32	1.40								89	4574	16.58	32	1.60								101	4047	14.67	31	1.80								120	3401	12.33	31	1.95								149	2747	9.96	30	2.20								153	2673	9.69	29	1.75								177	2309	8.37	29	1.95								200	2041	7.40	28	2.10								238	1716	6.22	28	2.50																																																																																																																																																																																																																																																																																																																												
32	10542	46.48	81	1.60	59	6974	25.28	53	1.60	37	9086			40.06	80	1.85	55	7404	26.84	53	1.10	45	7383	32.55	77	2.30	60	6769	24.54	53	1.20	54	6260	27.60	75	2.70	69	5889	21.35	52	1.90	27	12531	55.25	58	0.90	79	5197	18.84	51	2.00	30	11057	48.75	58	1.00	91	4507	16.34	50	2.30	35	9549	42.10	57	1.20	102	4011	14.54	49	2.60	40	8446	37.24	56	1.35	118	3456	12.53	48	2.70	47	7097	31.29	56	1.60	145	2808	10.18	46	3.20	59	5734	25.28	55	1.95	167	2447	8.87	44	2.70	55	6088	26.84	54	1.30	188	2176	7.89	43	2.60	60	5566	24.54	53	1.45	218	1876	6.80	42	3.50	69	4842	21.35	52	2.30	268	1525	5.53	40	3.70	79	4273	18.84	51	2.40	54	7605	27.57	31	0.95								59	6935	25.14	31	1.05	GFA129 GFAF129 GF129 GFF129	4P								68			6003	21.76	32	1.25								77	5296	19.20	32	1.40								89	4574	16.58	32	1.60								101	4047	14.67	31	1.80								120	3401	12.33	31	1.95								149	2747	9.96	30	2.20								153	2673	9.69	29	1.75								177	2309	8.37	29	1.95										200	2041	7.40	28	2.10								238	1716	6.22	28	2.50										54	7605	27.57			31	0.95	GFA109 GFAF109 GF109 GFF109	4P								59	6935	25.14			31	1.05								68			6003	21.76	32	1.25									77	5296	19.20	32	1.40								89		4574	16.58	32	1.60								101	4047	14.67	31	1.80								120	3401	12.33	31	1.95								149	2747	9.96	30	2.20								153	2673	9.69	29	1.75								177	2309	8.37	29	1.95								200	2041	7.40	28	2.10								238	1716	6.22	28	2.50																																																																																																																																																																																																																																																																																																																																							
37	9086	40.06	80	1.85	55	7404	26.84	53	1.10																																																																																																																																																																																																																																																																																																																																																																																																																																																																																																																																																																																																																																																																																																																																																																																	
45	7383	32.55	77	2.30	60	6769	24.54	53	1.20																																																																																																																																																																																																																																																																																																																																																																																																																																																																																																																																																																																																																																																																																																																																																																																	
54	6260	27.60	75	2.70	69	5889	21.35	52	1.90																																																																																																																																																																																																																																																																																																																																																																																																																																																																																																																																																																																																																																																																																																																																																																																	
27	12531	55.25	58	0.90	79	5197	18.84	51	2.00																																																																																																																																																																																																																																																																																																																																																																																																																																																																																																																																																																																																																																																																																																																																																																																	
30	11057	48.75	58	1.00	91	4507	16.34	50	2.30																																																																																																																																																																																																																																																																																																																																																																																																																																																																																																																																																																																																																																																																																																																																																																																	
35	9549	42.10	57	1.20	102	4011	14.54	49	2.60																																																																																																																																																																																																																																																																																																																																																																																																																																																																																																																																																																																																																																																																																																																																																																																	
40	8446	37.24	56	1.35	118	3456	12.53	48	2.70																																																																																																																																																																																																																																																																																																																																																																																																																																																																																																																																																																																																																																																																																																																																																																																	
47	7097	31.29	56	1.60	145	2808	10.18	46	3.20																																																																																																																																																																																																																																																																																																																																																																																																																																																																																																																																																																																																																																																																																																																																																																																	
59	5734	25.28	55	1.95	167	2447	8.87	44	2.70																																																																																																																																																																																																																																																																																																																																																																																																																																																																																																																																																																																																																																																																																																																																																																																	
55	6088	26.84	54	1.30	188	2176	7.89	43	2.60																																																																																																																																																																																																																																																																																																																																																																																																																																																																																																																																																																																																																																																																																																																																																																																	
60	5566	24.54	53	1.45	218	1876	6.80	42	3.50																																																																																																																																																																																																																																																																																																																																																																																																																																																																																																																																																																																																																																																																																																																																																																																	
69	4842	21.35	52	2.30	268	1525	5.53	40	3.70																																																																																																																																																																																																																																																																																																																																																																																																																																																																																																																																																																																																																																																																																																																																																																																	
79	4273	18.84	51	2.40	54	7605	27.57	31	0.95																																																																																																																																																																																																																																																																																																																																																																																																																																																																																																																																																																																																																																																																																																																																																																																	
							59	6935	25.14	31	1.05	GFA129 GFAF129 GF129 GFF129	4P																																																																																																																																																																																																																																																																																																																																																																																																																																																																																																																																																																																																																																																																																																																																																																													
							68	6003	21.76	32	1.25										77	5296	19.20	32	1.40								89	4574	16.58	32	1.60								101	4047	14.67	31	1.80								120	3401	12.33	31	1.95								149	2747	9.96	30	2.20								153	2673	9.69	29	1.75								177	2309	8.37	29	1.95								200	2041	7.40	28	2.10								238	1716	6.22	28	2.50								54	7605	27.57	31	0.95	GFA109 GFAF109 GF109 GFF109	4P								59	6935	25.14	31	1.05									68	6003	21.76	32	1.25								77	5296	19.20	32	1.40								89	4574	16.58	32	1.60								101	4047	14.67	31	1.80								120	3401	12.33	31	1.95								149	2747	9.96	30	2.20								153	2673	9.69	29	1.75								177	2309	8.37	29	1.95								200	2041	7.40	28	2.10								238	1716	6.22	28	2.50																																																																																																																																																																																																																																																																																																																																																																																																																																																																																																														
							77	5296	19.20	32	1.40										89	4574	16.58	32	1.60								101	4047	14.67	31	1.80								120	3401	12.33	31	1.95								149	2747	9.96	30	2.20								153	2673	9.69	29	1.75								177	2309	8.37	29	1.95								200	2041	7.40	28	2.10								238	1716	6.22	28	2.50								54	7605	27.57	31	0.95	GFA109 GFAF109 GF109 GFF109	4P								59	6935	25.14			31	1.05								68	6003	21.76	32	1.25								77	5296	19.20	32	1.40								89	4574	16.58	32	1.60								101	4047	14.67	31	1.80								120	3401	12.33	31	1.95								149	2747	9.96	30	2.20								153	2673	9.69	29	1.75								177	2309	8.37	29	1.95								200	2041	7.40	28	2.10								238	1716	6.22	28	2.50																																																																																																																																																																																																																																																																																																																																																																																																																																																																																																																									
							89	4574	16.58	32	1.60										101	4047	14.67	31	1.80								120	3401	12.33	31	1.95								149	2747	9.96	30	2.20								153	2673	9.69	29	1.75								177	2309	8.37	29	1.95								200	2041	7.40	28	2.10								238	1716	6.22	28	2.50								54	7605	27.57	31	0.95	GFA109 GFAF109 GF109 GFF109	4P								59	6935	25.14			31	1.05								68			6003	21.76	32	1.25								77	5296	19.20	32	1.40								89	4574	16.58	32	1.60								101	4047	14.67	31	1.80								120	3401	12.33	31	1.95								149	2747	9.96	30	2.20								153	2673	9.69	29	1.75								177	2309	8.37	29	1.95								200	2041	7.40	28	2.10								238	1716	6.22	28	2.50																																																																																																																																																																																																																																																																																																																																																																																																																																																																																																																																			
							101	4047	14.67	31	1.80										120	3401	12.33	31	1.95								149	2747	9.96	30	2.20								153	2673	9.69	29	1.75								177	2309	8.37	29	1.95								200	2041	7.40	28	2.10								238	1716	6.22	28	2.50								54	7605	27.57	31	0.95	GFA109 GFAF109 GF109 GFF109	4P								59	6935	25.14			31	1.05								68			6003	21.76	32	1.25									77	5296	19.20	32	1.40								89	4574	16.58	32	1.60								101	4047	14.67	31	1.80								120	3401	12.33	31	1.95								149	2747	9.96	30	2.20								153	2673	9.69	29	1.75								177	2309	8.37	29	1.95								200	2041	7.40	28	2.10								238	1716	6.22	28	2.50																																																																																																																																																																																																																																																																																																																																																																																																																																																																																																																																														
							120	3401	12.33	31	1.95										149	2747	9.96	30	2.20								153	2673	9.69	29	1.75								177	2309	8.37	29	1.95								200	2041	7.40	28	2.10								238	1716	6.22	28	2.50								54	7605	27.57	31	0.95	GFA109 GFAF109 GF109 GFF109	4P								59	6935	25.14			31	1.05								68			6003	21.76	32	1.25									77	5296	19.20	32	1.40								89	4574	16.58	32	1.60								101	4047	14.67	31	1.80								120	3401	12.33	31	1.95								149	2747	9.96	30	2.20								153	2673	9.69	29	1.75								177	2309	8.37	29	1.95								200	2041	7.40	28	2.10								238	1716	6.22	28	2.50																																																																																																																																																																																																																																																																																																																																																																																																																																																																																																																																																										
							149	2747	9.96	30	2.20										153	2673	9.69	29	1.75								177	2309	8.37	29	1.95								200	2041	7.40	28	2.10								238	1716	6.22	28	2.50								54	7605	27.57	31	0.95	GFA109 GFAF109 GF109 GFF109	4P								59	6935	25.14			31	1.05								68			6003	21.76	32	1.25									77	5296	19.20	32	1.40								89	4574	16.58	32	1.60								101	4047	14.67	31	1.80								120	3401	12.33	31	1.95								149	2747	9.96	30	2.20								153	2673	9.69	29	1.75								177	2309	8.37	29	1.95								200	2041	7.40	28	2.10								238	1716	6.22	28	2.50																																																																																																																																																																																																																																																																																																																																																																																																																																																																																																																																																																						
							153	2673	9.69	29	1.75										177	2309	8.37	29	1.95								200	2041	7.40	28	2.10								238	1716	6.22	28	2.50								54	7605	27.57	31	0.95	GFA109 GFAF109 GF109 GFF109	4P								59	6935	25.14			31	1.05								68			6003	21.76	32	1.25									77	5296	19.20	32	1.40								89	4574	16.58	32	1.60								101	4047	14.67	31	1.80								120	3401	12.33	31	1.95								149	2747	9.96	30	2.20								153	2673	9.69	29	1.75								177	2309	8.37	29	1.95								200	2041	7.40	28	2.10								238	1716	6.22	28	2.50																																																																																																																																																																																																																																																																																																																																																																																																																																																																																																																																																																																		
							177	2309	8.37	29	1.95										200	2041	7.40	28	2.10								238	1716	6.22	28	2.50								54	7605	27.57	31	0.95	GFA109 GFAF109 GF109 GFF109	4P								59	6935	25.14			31	1.05								68			6003	21.76	32	1.25									77	5296	19.20	32	1.40								89	4574	16.58	32	1.60								101	4047	14.67	31	1.80								120	3401	12.33	31	1.95								149	2747	9.96	30	2.20								153	2673	9.69	29	1.75								177	2309	8.37	29	1.95								200	2041	7.40	28	2.10								238	1716	6.22	28	2.50																																																																																																																																																																																																																																																																																																																																																																																																																																																																																																																																																																																														
							200	2041	7.40	28	2.10										238	1716	6.22	28	2.50								54	7605	27.57	31	0.95	GFA109 GFAF109 GF109 GFF109	4P								59	6935	25.14			31	1.05								68			6003	21.76	32	1.25									77	5296	19.20	32	1.40								89	4574	16.58	32	1.60								101	4047	14.67	31	1.80								120	3401	12.33	31	1.95								149	2747	9.96	30	2.20								153	2673	9.69	29	1.75								177	2309	8.37	29	1.95								200	2041	7.40	28	2.10								238	1716	6.22	28	2.50																																																																																																																																																																																																																																																																																																																																																																																																																																																																																																																																																																																																										
							238	1716	6.22	28	2.50																																																																																																																																																																																																																																																																																																																																																																																																																																																																																																																																																																																																																																																																																																																																																																															
							54	7605	27.57	31	0.95			GFA109 GFAF109 GF109 GFF109	4P																																																																																																																																																																																																																																																																																																																																																																																																																																																																																																																																																																																																																																																																																																																																																																											
							59	6935	25.14	31	1.05												68	6003	21.76	32	1.25								77	5296	19.20			32	1.40								89			4574	16.58	32	1.60									101	4047	14.67	31	1.80								120	3401	12.33	31	1.95								149	2747	9.96	30	2.20								153	2673	9.69	29	1.75								177	2309	8.37	29	1.95								200	2041	7.40	28	2.10								238	1716	6.22	28	2.50																																																																																																																																																																																																																																																																																																																																																																																																																																																																																																																																																																																																																																														
							68	6003	21.76	32	1.25												77	5296	19.20	32	1.40								89	4574	16.58			32	1.60								101			4047	14.67	31	1.80									120	3401	12.33	31	1.95								149	2747	9.96	30	2.20								153	2673	9.69	29	1.75								177	2309	8.37	29	1.95								200	2041	7.40	28	2.10								238	1716	6.22	28	2.50																																																																																																																																																																																																																																																																																																																																																																																																																																																																																																																																																																																																																																																										
							77	5296	19.20	32	1.40												89	4574	16.58	32	1.60								101	4047	14.67			31	1.80								120			3401	12.33	31	1.95									149	2747	9.96	30	2.20								153	2673	9.69	29	1.75								177	2309	8.37	29	1.95								200	2041	7.40	28	2.10								238	1716	6.22	28	2.50																																																																																																																																																																																																																																																																																																																																																																																																																																																																																																																																																																																																																																																																						
							89	4574	16.58	32	1.60												101	4047	14.67	31	1.80								120	3401	12.33			31	1.95								149			2747	9.96	30	2.20								153	2673	9.69	29	1.75								177	2309	8.37	29	1.95								200	2041	7.40	28	2.10								238	1716	6.22	28	2.50																																																																																																																																																																																																																																																																																																																																																																																																																																																																																																																																																																																																																																																																																			
							101	4047	14.67	31	1.80								120	3401	12.33	31	1.95								149	2747	9.96	30	2.20								153	2673	9.69	29	1.75								177	2309	8.37	29	1.95								200	2041	7.40	28	2.10								238	1716	6.22	28	2.50																																																																																																																																																																																																																																																																																																																																																																																																																																																																																																																																																																																																																																																																																																							
							120	3401	12.33	31	1.95								149	2747	9.96	30	2.20								153	2673	9.69	29	1.75								177	2309	8.37	29	1.95								200	2041	7.40	28	2.10								238	1716	6.22	28	2.50																																																																																																																																																																																																																																																																																																																																																																																																																																																																																																																																																																																																																																																																																																																			
							149	2747	9.96	30	2.20																																																																																																																																																																																																																																																																																																																																																																																																																																																																																																																																																																																																																																																																																																																																																																															
							153	2673	9.69	29	1.75																																																																																																																																																																																																																																																																																																																																																																																																																																																																																																																																																																																																																																																																																																																																																																															
							177	2309	8.37	29	1.95																																																																																																																																																																																																																																																																																																																																																																																																																																																																																																																																																																																																																																																																																																																																																																															
							200	2041	7.40	28	2.10																																																																																																																																																																																																																																																																																																																																																																																																																																																																																																																																																																																																																																																																																																																																																																															
							238	1716	6.22	28	2.50																																																																																																																																																																																																																																																																																																																																																																																																																																																																																																																																																																																																																																																																																																																																																																															

选型参数表
(恒功率) 55kW-110kW
Selection Table
(Constant Power) 55kW-110kW

n_a [r/min]	M_a [Nm]	i	F_{Ra} [kN]	f_B	机型号 Type size	极数 Pole	n_a [r/min]	M_a [Nm]	i	F_{Ra} [kN]	f_B	机型号 Type size	极数 Pole
55kW							90kW						
25	20314	60.25	70	0.85			46	17838	32.55	58	0.95	GFA159	
28	17613	52.24	71	0.95	GFA159		54	15125	27.60	58	1.10	GFAF159	4P
32	15671	46.48	71	1.10	GFAF159	4P						GF159	
37	13506	40.06	71	1.25	GF159							GFF159	
45	10974	32.55	70	1.55	GFF159		52	15673	28.60	57	1.00		
54	9305	27.60	69	1.85			59	13936	25.43	56	1.00	GFA159	
52	9643	28.60	69	1.65	GFA159		67	12144	22.16	56	1.40	GFAF159	4P
58	8574	25.43	68	1.65	GFAF159	4P	75	10834	19.77	55	1.50	GF159	
67	7471	22.16	67	2.30	GF159		88	9234	16.85	54	1.85	GFF159	
75	6666	19.77	66	2.40	GFF159		107	7650	13.96	53	2.10		
88	5681	16.85	64	3.00			125	6532	11.92	52	2.30		
40	12556	37.24	49	0.90	GFA129		59	13854	25.28	51	0.80	GFA129	4P
47	10550	31.29	49	1.10	GFAF129	4P						GFAF129	
59	8523	25.28	49	1.35	GF129							GF129	
					GFF129							GFF129	
69	7198	21.35	49	1.60			70	11700	21.35	49	0.95		
79	6352	18.84	48	1.65			79	10324	18.84	47	1.00		
91	5509	16.34	48	1.90			91	8954	16.34	45	1.15		
102	4902	14.54	47	2.10	GFA129		102	7968	14.54	44	1.30	GFA129	
118	4225	12.53	46	2.20	GFAF129	4P	119	6866	12.53	34	1.35	GFAF129	4P
145	3432	10.18	44	2.60	GF129		146	5579	10.18	34	1.60	GF129	
167	2991	8.87	43	2.20	GFF129		168	4861	8.87	34	1.35	GFF129	
188	2660	7.89	42	2.10			189	4324	7.89	34	1.30		
218	2293	6.80	41	2.90			219	3726	6.80	34	1.75		
268	1864	5.53	39	3.00			269	3030	5.53	33	1.85		
316	1581	4.69	38	3.60			318	2570	4.69	33	2.20		
75kW							110kW						
32	21369	46.48	60	0.80	GFA159		54	18486	27.60	32	0.90	GFA159	4P
37	18418	40.06	61	0.95	GFAF159	4P						GFAF159	
45	14965	32.55	62	1.15	GF159							GF159	
54	12689	27.60	62	1.35	GFF159							GFF159	
52	13149	28.60	62	1.25			67	14842	22.16	31	1.15	GFA159	
58	11692	25.43	62	1.20	GFA159		75	13242	19.77	30	1.20	GFAF159	4P
67	10188	22.16	62	1.70	GFAF159	4P	88	11286	16.85	29	1.50	GF159	
75	9089	19.77	61	1.80	GF159		107	9350	13.96	29	1.70	GFF159	
88	7747	16.85	60	2.20	GFF159		125	7984	11.92	77	1.90		
106	6418	13.96	59	2.50									
124	5480	11.92	57	2.80									
59	11623	25.28	42	1.00	GFA129	4P							
					GFAF129								
					GF129								
					GFF129								
69	9816	21.35	84	1.15									
79	8662	18.84	84	1.20									
91	7512	16.34	84	1.40									
102	6685	14.54	83	1.55	GFA129	4P							
118	5761	12.53	82	1.65	GFAF129								
145	4680	10.18	81	1.95	GF129								
167	4078	8.87	80	1.65	GFF129								
188	3627	7.89	77	1.55									
218	3126	6.80	75	2.10									
268	2542	5.53	58	2.20									
316	2156	4.69	58	2.70									

GF 系列平行轴-斜齿轮减速电机

选型参数表

Selection Table

(恒转矩) 200Nm-600Nm

(Constant Torque) 200Nm-600Nm

M _{amax} [Nm]	n _a [r/min]	i	F _{Ra} [kN]	机型号 Type size	P [kW]/4P	M _{amax} [Nm]	n _a [r/min]	i	F _{Ra} [kN]	机型号 Type size	P [kW]/4P		
200	0.16	8193	4.1	GFA39R19 GFAF39R19 GF39R19 GFF39R19	0.12	400	2.1	619	5.6	GFA49R19 GFAF49R19 GF49R19 GFF49R19	0.18		
	0.19	7064	4.1										
	0.20	6585	4.1										
	0.23	5756	4.1										
	0.26	4962	4.1										
	0.30	4434	4.1										
	0.34	3875	4.1										
	0.39	3392	4.1										
	0.44	2965	4.1										
	0.51	2587	4.1										
	0.57	2284	4.1										
	0.66	1997	4.1										
		0.68	1929	4.1	GFA39R19 GFAF39R19 GF39R19 GFF39R19		0.12		6.1	217	5.6	GFA49R19 GFAF49R19 GF49R19 GFF49R19	0.37
		0.78	1679	4.1									
		0.85	1550	4.1									
		1.0	1356	4.1									
		1.1	1180	4.1									
		1.3	1044	4.1									
		1.4	914	4.1									
		1.6	808	4.1									
	1.9	698	4.1										
	2.1	616	4.1										
	2.4	544	4.1										
	2.8	466	4.1										
	3.2	411	4.1										
	3.6	364	4.1										
	4.0	326	4.1	GFA39R19 GFAF39R19 GF39R19 GFF39R19	0.12		9.3	149	5.6	GFA49R19 GFAF49R19 GF49R19 GFF49R19	0.55		
	4.6	285	4.1										
	5.2	250	4.1										
	6.0	219	4.1										
	7.0	186	4.1	GFA39R19 GFAF39R19 GF39R19 GFF39R19	0.18		11	131	5.6	GFA49R19 GFAF49R19 GF49R19 GFF49R19	0.12		
	8.0	167	4.1										
	9.2	145	4.1										
	10.3	129	4.1										
400	0.11	12251	5.6	GFA49R19 GFAF49R19 GF49R19 GFF49R19	0.12	600	0.09	14832	8.7	GFA59R39 GFAF59R39 GF59R39 GFF59R39	0.12		
	0.12	10619	5.6										
	0.13	9845	5.6										
	0.15	8534	5.6										
	0.18	7460	5.6										
	0.20	6536	5.6										
	0.23	5746	5.6										
	0.26	5022	5.6										
	0.30	4401	5.6										
	0.34	3883	5.6										
	0.38	3443	5.6										
	0.44	2976	5.6										
	0.50	2629	5.6										
		0.52	2519	5.6	GFA49R19 GFAF49R19 GF49R19 GFF49R19		0.12		0.12	12602	8.7	GFA59R39 GFAF59R39 GF59R39 GFF59R39	0.12
		0.55	2394	5.6									
		0.60	2172	5.6									
		0.65	2025	5.6									
		0.74	1770	5.6									
		0.83	1576	5.6									
		0.96	1363	5.6									
	1.1	1192	5.6										
	1.2	1061	5.6										
	1.4	931	5.6										
	1.6	822	5.6										
	1.9	706	5.6										
	1.5	856	8.7	GFA59R39 GFAF59R39 GF59R39 GFF59R39	0.18		0.13	11252	8.7	GFA59R39 GFAF59R39 GF59R39 GFF59R39	0.12		
	1.7	749	8.7										
	2	658	8.7										
	2.4	549	8.7										
	2.8	483	8.7	GFA59R39 GFAF59R39 GF59R39 GFF59R39	0.25		0.15	9986	8.7	GFA59R39 GFAF59R39 GF59R39 GFF59R39	0.12		
	3.1	426	8.7										
	3.5	382	8.7										
	4	330	8.7										
	4.5	298	8.7	GFA59R39 GFAF59R39 GF59R39 GFF59R39	0.37		0.17	8787	8.7	GFA59R39 GFAF59R39 GF59R39 GFF59R39	0.12		
	5.1	262	8.7										
	0.28	4654	8.7										
	0.32	4060	8.7										
	0.37	3564	8.7	GFA59R39 GFAF59R39 GF59R39 GFF59R39	0.25		0.22	6030	8.7	GFA59R39 GFAF59R39 GF59R39 GFF59R39	0.12		
	0.25	5289	8.7										
	0.28	4654	8.7										
	0.32	4060	8.7										
	0.41	3161	8.7	GFA59R39 GFAF59R39 GF59R39 GFF59R39	0.37		0.37	3564	8.7	GFA59R39 GFAF59R39 GF59R39 GFF59R39	0.25		
	0.46	2854	8.7										
	0.51	2576	8.7										
	0.58	2266	8.7										

选型参数表
(恒转矩) 600Nm-3000Nm
Selection Table
(Constant Torque) 600Nm-3000Nm

M _{amax} [Nm]	n _a [r/min]	i	F _{Ra} [kN]	机型号 Type size	P [kW]/4P	M _{amax} [Nm]	n _a [r/min]	i	F _{Ra} [kN]	机型号 Type size	P [kW]/4P															
600	6.2 7.0	226 200	8.7 8.7	GFA59R39	0.55	1500	0.07	19181	15	GFA79R39 GFAF79R39 GF79R39 GFF79R39	0.12															
				GFAF59R39																						
				GF59R39																						
				GFF59R39																						
	8.2 9.1 10	170 152 134	8.7 8.7 8.7	GFA59R39	0.75																					
				GFAF59R39																						
				GF59R39																						
				GFF59R39																						
				820								0.07 0.07 0.09 0.10 0.11 0.13 0.15 0.16 0.18 0.22 0.25 0.28 0.32 0.37 0.42 0.48 0.54	19198 17609 14992 12926 11480 10220 8934 7940 7096 6080 5342 4690 4091 3574 3133 2756 2440	8.7 8.7 8.7 8.7 8.7 8.7 8.7 8.7 8.7 8.7 8.7 8.7 8.7 8.7 8.7 8.7	GFA69R39 GFAF69R39 GF69R39 GFF69R3	0.12										
																	0.39 0.45 0.48 0.55 0.62 0.80 0.91 1.0	3377 2912 2714 2373 2126 1631 1438 1257	8.7 8.7 8.7 8.7 8.7 8.7 8.7 8.7	GFA69R39 GFAF69R39 GF69R39 GFF69R39	0.12					
1.2 1.3 1.5	1126 984 864	8.7 8.7 8.7	GFA69R39 GFAF69R39 GF69R39 GFF69R39		0.18																					
						1.8 2.1 2.5	722 633 539	8.7 8.7 8.7	GFA69R39 GFAF69R39 GF69R39 GFF69R39	0.25																
											0.70											1884	10	GFA69R39 GFAF69R39 GF69R39 GFF69R39	0.12	
2.7 2.9 3.4	500 454 392	10 10 10	GFA69R39 GFAF69R39 GF69R39 GFF69R39		0.37																					
						4.2 4.7 5.3 5.8	333 297 261 238	10 10 10 10	GFA69R39 GFAF69R39 GF69R39 GFF69R39	0.55																
											7.0											200	10	GFA69R39 GFAF69R39 GF69R39 GFF69R39	0.75	
																										1500
0.65	2030	15	GFA79R39 GFAF79R39 GF79R39 GFF79R39		0.18																					
				0.76 0.85 0.97		1728 1544 1354	15 15 15	GFA79R39 GFAF79R39 GF79R39 GFF79R39	0.18																	
										1.1 1.3	1200 1053	15 15	GFA79R39 GFAF79R39 GF79R39 GFF79R39	0.25												
1.5 1.6 1.9	910 810 710	15 15 15	GFA79R39 GFAF79R39 GF79R39 GFF79R39		0.37																					
				2.3 2.6 2.9		615 538 480	15 15 15	GFA79R39 GFAF79R39 GF79R39 GFF79R39	0.55																	
										3.4 3.8 4.3	413 367 323	15 15 15	GFA79R39 GFAF79R39 GF79R39 GFF79R39	0.75												
3000	0.06 0.06 0.07 0.08 0.09 0.11 0.13 0.14 0.16 0.18 0.21 0.24 0.26	23042 20462 18237 15876 14099 12204 10433 9380 8142 7100 6273 5510 4954	19 19 19 19 19 19 19 19 19 19 19 19 19		GFA89R59 GFAF89R59 GF89R59 GFF89R59										0.12											

GF 系列平行轴-斜齿轮减速电机

选型参数表

(恒转矩) 3000Nm-7680Nm

Selection Table

(Constant Torque) 3000Nm-7680Nm

M _{amax} [Nm]	n _a [r/min]	i	F _{Ra} [kN]	机型号 Type size	P [kW]/4P	M _{amax} [Nm]	n _a [r/min]	i	F _{Ra} [kN]	机型号 Type size	P [kW]/4P																														
3000	0.31 0.35	4245	19	GFA89R59	0.18	4300	1.2 1.4	1171 1022	28	GFA99R59	0.75																														
				GFAF89R59						GFAF99R59																															
				GF89R59						GF99R59																															
	0.40 0.45	3244	19	GFA89R59	0.18		GFA99R59	1.1																																	
				GFAF89R59			GFAF99R59																																		
				GF89R59			GF99R59																																		
	0.52 0.60 0.69	2575	19	GFA89R59	0.25		GFA99R59	1.5																																	
				GFAF89R59			GFAF99R59																																		
				GF89R59			GF99R59																																		
	0.78 0.89	1709	19	GFA89R59	0.37		GFA99R59	2.2																																	
				GFAF89R59			GFAF99R59																																		
				GF89R59			GF99R59																																		
	1.1 1.2 1.4 1.6	1300	19	GFA89R59	0.55		GFA99R59	3																																	
				GFAF89R59			GFAF99R59																																		
				GF89R59			GF99R59																																		
				GFF89R59			GFF99R59																																		
1.8 2.1	780	19	GFA89R59	0.75	7680	0.05 0.06 0.07	25375 21652 18933	47	GFA109R79	0.12																															
			GFAF89R59						GFAF109R79																																
			GF89R59						GF109R79																																
2.3 2.7 3.1	609	19	GFA89R59	1.1		GFA109R79	0.18																																		
			GFAF89R59			GFAF109R79																																			
			GF89R59			GF109R79																																			
			GFF89R59			GFF109R79																																			
4.1	345	19	GFA89R59	1.5		GFA109R79	0.25																																		
			GFAF89R59			GFAF109R79																																			
			GF89R59			GF109R79																																			
			GFF89R59			GFF109R79																																			
4300	0.06 0.07 0.08 0.09 0.11 0.12 0.14 0.16 0.18	20814	28	GFA99R59 GFAF99R59 GF99R59 GFF99R59		0.12	0.29 0.38	4567 3521	47	GFA109R79 GFAF109R79 GF109R79 GFF109R79	0.37																														
												0.20 0.23 0.26 0.30	6469	28	GFA99R59 GFAF99R59 GF99R59 GFF99R59	0.18	0.46 0.50 0.59	3037 2756 2369	47	GFA109R79 GFAF109R79 GF109R79 GFF109R79	0.55																				
																						0.34 0.40 0.46	3906	28	GFA99R59 GFAF99R59 GF99R59 GFF99R59	0.25	0.67 0.76	2068 1826	47	GFA109R79 GFAF109R79 GF109R79 GFF109R79	0.75										
																																0.52 0.59 0.68	2553	28	GFA99R59 GFAF99R59 GF99R59 GFF99R59	0.37	0.88 1.00 1.1	1597 1401 1243	47	GFA109R79 GFAF109R79 GF109R79 GFF109R79	1.1
					1.7 1.9 2.2							834	47	GFA109R79 GFAF109R79 GF109R79 GFF109R79	2.2																										

选型参数表
(恒转矩) 7680Nm-18000Nm
Selection Table
(Constant Torque) 7680Nm-18000Nm

M_{amax} [Nm]	n_a [r/min]	i	F_{Ra} [kN]	机型号 Type size	P [kW]/4P	M_{amax} [Nm]	n_a [r/min]	i	F_{Ra} [kN]	机型号 Type size	P [kW]/4P
7680	2.6	560	47	GFA109R79	3	12000	3.4	428	86	GFA129R79	5.5
	2.9	489	47	GFAF109R79			GFAF129R79				
	3.3	436	47	GF109R79			GF129R79				
				GFF109R79			GFF129R79				
	3.9	370	47	GFA109R79	4		3.0	485	86	GFA129R89	5.5
	4.3	333	47	GFAF109R79			GFAF129R89				
				GF109R79			GF129R89				
				GFF109R79			GFF129R89				
12000	0.05	24450	86	GFA129R79	0.12	4.6	312	86	GFA129R89	7.5	
	0.06	22298	86	GFAF129R79		GFAF129R89					
	0.07	19026	86	GF129R79		GF129R89					
				GFF129R79		GFF129R89					
	0.08	16637	86	GFA129R79	0.18	5.6	259	86	GFA129R89	7.5	
	0.09	14705	86	GFAF129R79		GFAF129R89					
	0.10	12912	86	GF129R79		GF129R89					
	0.11	11643	86	GFF129R79		GFF129R89					
	0.13	10180	86	GFA129R79	0.25	7.4	198	86	GFA129R89	11	
	0.15	8822	86	GFAF129R79		GFAF129R89					
				GF129R79		GF129R89					
				GFF129R79		GFF129R89					
	0.17	7634	86	GFA129R79	0.37	0.04	31434	95	18000	0.55	
	0.20	6708	86	GFAF129R79		0.05	26173	95			
	0.22	5919	86	GF129R79		0.06	23464	95			
				GFF129R79		0.07	20212	95			
	0.27	5147	86	GFA129R79	0.55	0.08	17984	95			GFA159R99
	0.31	4528	86	GFAF129R79		0.08	16358	95			GFAF159R99
	0.35	3922	86	GF129R79		0.10	13751	95			GF159R99
				GFF129R79		0.11	12235	95			GFF159R99
	0.40	3450	86	GFA129R79	0.75	0.14	10033	95			GFA159R99
	0.46	3028	86	GFAF129R79		0.16	9021	95			GFAF159R99
				GF129R79		0.17	8026	95			GF159R99
				GFF129R79					GFF159R99		
0.52	2669	86	GFA129R79	0.75	0.20	7075	95	GFA159R99			
			GFAF129R79		0.22	6295	95	GFAF159R99			
			GF129R79					GF159R99			
			GFF129R79					GFF159R99			
0.59	2354	86	GFA129R79	1.1	0.26	5404	95	GFA159R99			
0.69	2035	86	GFAF129R79		GFAF159R99						
0.79	1782	86	GF129R79		GF159R99						
			GFF129R79		GFF159R99						
0.87	1605	86	GFA129R79	1.5	0.29	4831	95	GFA159R99			
1.0	1389	86	GFAF129R79		GFAF159R99						
			GF129R79		GF159R99						
			GFF129R79		GFF159R99						
1.2	1219	86	GFA129R79	2.2	0.40	3607	95	GFA159R99			
1.3	1075	86	GFAF129R79		GFAF159R99						
1.5	929	86	GF129R79		GF159R99						
			GFF129R79		GFF159R99						
1.7	819	86	GFA129R79	3	0.50	2780	95	GFA159R99			
2.0	726	86	GFAF129R79		GFAF159R99						
2.2	647	86	GF129R79		GF159R99						
			GFF129R79		GFF159R99						
2.6	548	86	GFA129R79	4	0.99	1441	95	GFA159R99			
2.9	494	86	GFAF129R79		GFAF159R99						
			GF129R79		GF159R99						
			GFF129R79		GFF159R99						

GF 系列平行轴-斜齿轮减速电机

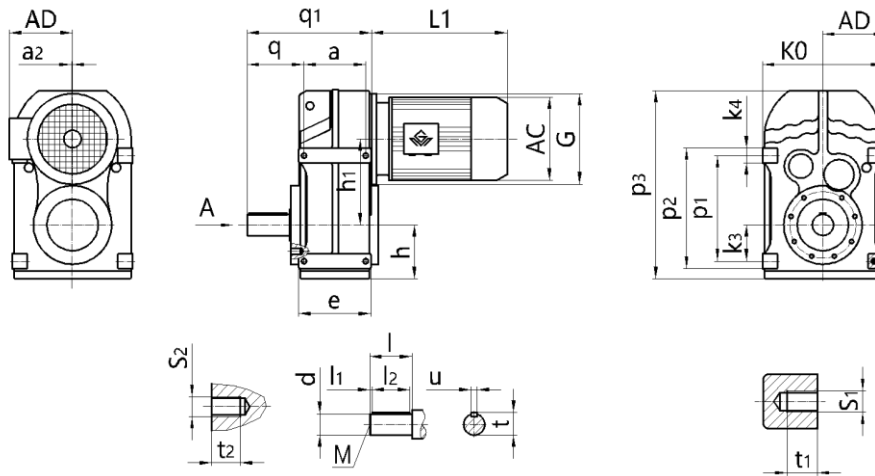
选型参数表

(恒转矩) 18000Nm

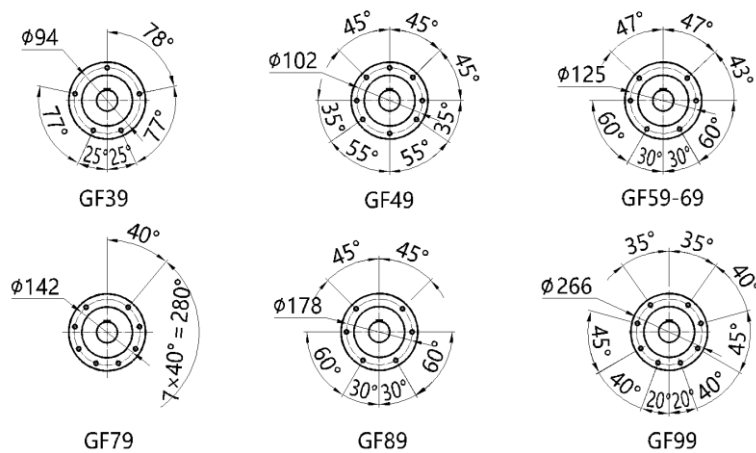
Selection Table

(Constant Torque) 18000Nm

M_{amax} [Nm]	n_a [r/min]	i	F_{Ra} [kN]	机型号 Type size	P [kW]/4P	M_{amax} [Nm]	n_a [r/min]	i	F_{Ra} [kN]	机型号 Type size	P [kW]/4P			
18000	0.58 0.64	2427	95	GFA159R99	1.5	18000	2.9 3.3	503	95	GFA159R99	7.5			
		2185	95	GFAF159R99				GFAF159R99						
				GF159R99				GF159R99						
				GFF159R99				GFF159R99						
	0.74 0.85	1944	95	GFA159R99	2.2		18000	4.1	353	95	GFA159R99	7.5		
		1674	95	GFAF159R99					GFAF159R99					
				GF159R99					GF159R99					
	1.09 1.22	1308	95	GFA159R99	3			18000	4.8	302	95	GFA159R99	11	
		1169	95	GFAF159R99						GFAF159R99				
	1.5 1.7 1.9	953	95	GFA159R99	4				18000	6.3	232	95	GFA159R99	15
		845	95	GFAF159R99							GFAF159R99			
		764	95	GF159R99							GF159R99			
2.1 2.5			GFF159R99	5.5	18000	7.2				202	95	GFF159R99	18.5	
			GFA159R99							GFA159R99				
	680	95	GFAF159R99	GFAF159R99										
	576	95	GF159R99	GF159R99										
			GFF159R99	GFF159R99										

安装结构尺寸
GF39-159
Mounting Dimensional Description
GF39-159


A向法兰安装结构尺寸 (Fig.A Mounting Dimension)



机型号 Type Size	q ₁ S ₁	q t ₁	a u	h ₁ t	h h ₁	e l ₂	p ₃ l	p ₂ d	p ₁ M	k ₃ S ₂	k ₄ t ₂	K0 a ₂	G	电机尺寸 Motor Size		
														AC	AD	L1
GF39	160 M8	72.5 15	77 8	112 28	77 5	95 40	256 50	135 Φ25k6	115 M10	31 M8	20 15	165 /	Φ120	见附录 A-2 和 A-3 Please see appendix A-2 and A-3		
GF49	193 M10	91 15	93 8	128.1 33	80 3.5	109 50	276 60	165 Φ30k6	145 M10	43 M8	25 14	180 /	Φ120			
GF59	220 M12	104.5 17	102 10	136 38	93 7	127 56	321 70	195 Φ35k6	170 M12	55 M12	25 20	200 /	Φ160			
GF69	242 M12	118.5 17	112 12	159.5 43	97 5	131 70	348 80	215 Φ40k6	190 M16	60 M12	25 22	212 /	Φ160			
GF79	294 M16	137.5 26	140 14	200 53.5	122 10	170 80	430 100	275 Φ50k6	240 M16	70 M12	35 17	270 /	Φ200			
GF89	344 M16	163 26	165 18	246.7 64	150 5	195 110	534 120	350 Φ60m6	310 M20	100 M16	40 29	330 /	Φ250			
GF99	415 M20	189.5 33	205 20	285 74.5	180 7.5	240 125	630 140	400 Φ70m6	350 M20	120 M16	50 28	400 /	Φ300			
GF109	484 M24	241.5 38	220 25	332.4 95	200 5	260 160	720 170	460 Φ90m6	400 M24	125 /	60 /	450 /	Φ350			
GF129	586 M30	292 45	270 28	382.6 116	236 15	316 180	861 210	520 Φ110m6	450 M24	142 /	70 /	530 10	Φ450			
GF159	662 M36	325 55	310 32	447 127	286 5	364 200	1021 210	620 Φ120m6	540 M24	170 /	80 /	660 15	Φ550			

注：减速机部分的外形尺寸，未包含通气帽的高度尺寸。通气帽的高度尺寸为 17。

Note:the dimensions don't include the height of the breathe valve.the height of the breathe valve is 17.

注：电机需方配或配特殊电机时需加联接法兰（见附录 D）

Note:When equipping the user's motor or the special one, the flange is required to connected. (Please see appendix D)

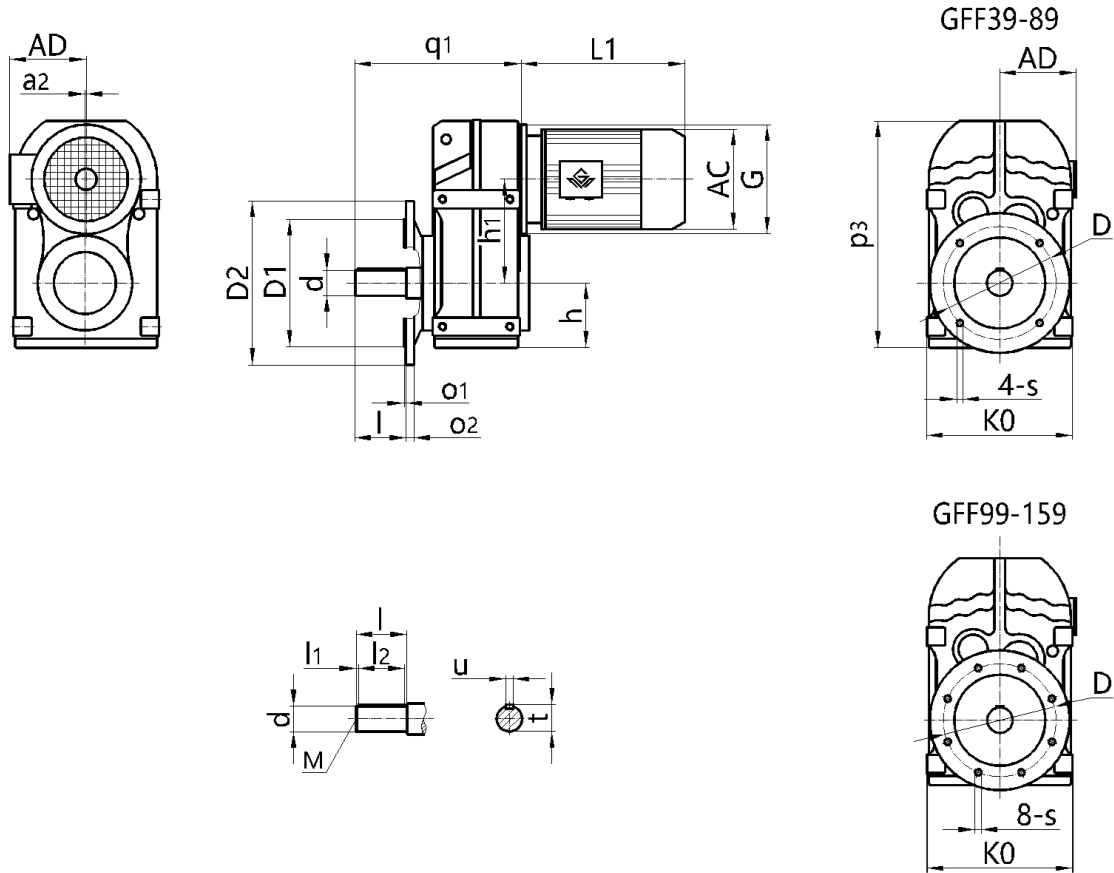
GF 系列平行轴-斜齿轮减速电机

安装结构尺寸

GFF39-159

Mounting Dimensional Description

GFF39-159



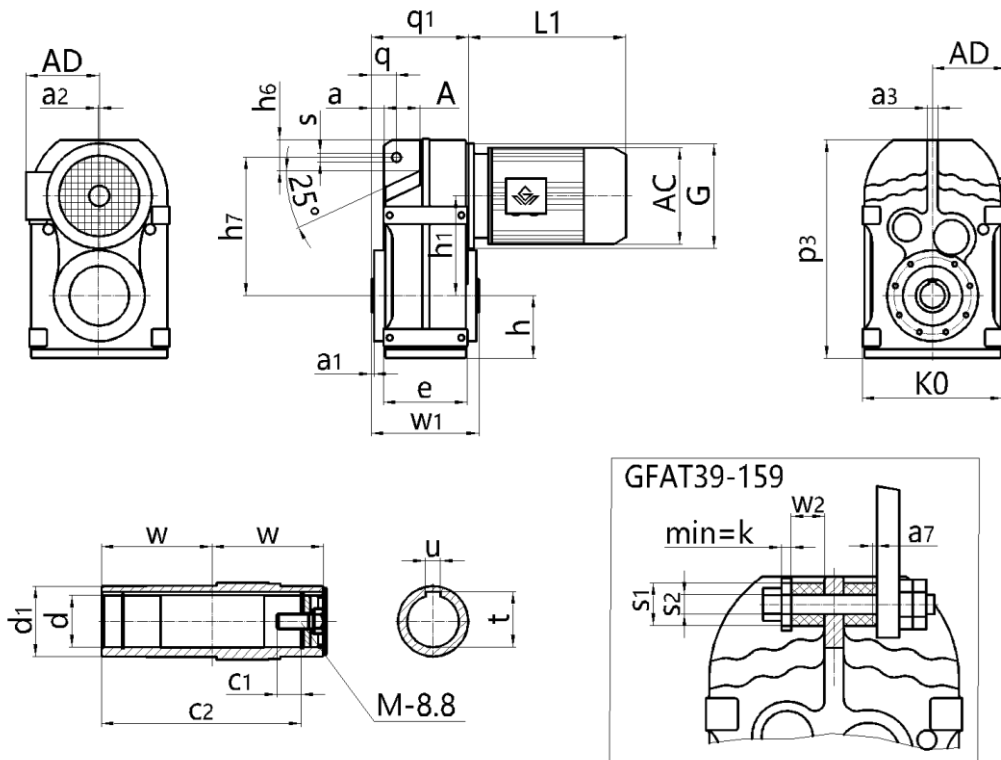
机型号 Type Size	q1 s	o2 D	o1 K0	d u	D1 t	D2 l1	h1 l2	h l	p3 M	G a2	电机尺寸 Motor Size		
											AC	AD	L1
GFF39	184 Φ9	10 Φ130	3.5 165	Φ25k6 8	Φ110j6 28	Φ160 5	112 40	77 50	256 M10	Φ120 /	见附录 A-2 和 A-3 Please see appendix A-2 and A-3		
GFF49	218 Φ11	12 Φ165	3.5 180	Φ30k6 8	Φ130j6 33	Φ200 3.5	128.1 50	80 60	276 M10	Φ120 /			
GFF59	243.5 Φ13.5	15 Φ215	4 200	Φ35k6 10	Φ180j6 38	Φ250 7	136 56	93 70	321 M12	Φ160 /			
GFF69	264 Φ13.5	15 Φ215	4 212	Φ40k6 12	Φ180j6 43	Φ250 5	159.5 70	97 80	348 M16	Φ160 /			
GFF79	330 Φ13.5	16 Φ265	4 270	Φ50k6 14	Φ230j6 53.5	Φ300 10	200 80	122 100	430 M16	Φ200 /			
GFF89	374 Φ17.5	18 Φ300	5 330	Φ60m6 18	Φ250h6 64	Φ350 5	246.7 110	150 120	534 M20	Φ250 /			
GFF99	456 Φ17.5	22 Φ400	5 400	Φ70m6 20	Φ350h6 74.5	Φ450 7.5	285 125	180 140	630 M20	Φ300 /			
GFF109	523 Φ17.5	22 Φ400	5 450	Φ90m6 25	Φ350h6 95	Φ450 5	332.4 160	201 170	723 M24	Φ350 /			
GFF129	634 Φ17.5	25 Φ500	5 530	Φ110m6 28	Φ450h6 116	Φ550 15	382.6 180	236 210	861 M24	Φ450 10			
GFF159	725 Φ22	28 Φ600	6 660	Φ120m6 32	Φ550h6 127	Φ660 5	447 200	286 210	1021 M24	Φ550 15			

注：减速机部分的外形尺寸，未包含通气帽的高度尺寸。通气帽的高度尺寸为 17。

Note: the dimensions don't include the height of the breathe valve. the height of the breathe valve is 17.

注：电机需方配或配特殊电机时需加联接法兰（见附录 D）

Note: When equipping the user's motor or the special one, the flange is required to connected. (Please see appendix D)

安装结构尺寸
GFA39-159
Mounting Dimensional Description
GFA39-159


螺栓、螺母、垫片均不在标准供货范围内

机型号 Type Size	q ₁ a ₂	q d	A d ₁	a w	h ₇ c ₁	h ₆ s	h ₁ u	h t	a ₁ s ₁	e s ₂	w ₁ k	p ₃ w ₂	a ₃ a ₇	K0 G	c ₂ M	电机尺寸 Motor Size			
																AC	AD	L1	
GFA39	110 /	31.5 Φ30H7	46 Φ45	15 60	158 17	30 Φ14	112 8	77 33.3	2.5 Φ40	95 Φ12.5 ^{+0.5}	123 5	256 20	12 1	165 Φ120	105 M10×25	见附录 A-2 和 A-3 Please see appendix A-2 and A-3			
GFA49	133 /	32 Φ35H7	64 Φ50	12 75	170 22	22 Φ14	128.1 10	80 38.3	3 Φ40	109 Φ12.5 ^{+0.5}	153 5	276 20	12 1.8	180 Φ120	132 M12×30				
GFA59	150 /	40.5 Φ40H7	60 Φ55	19.5 83	198 29	31 Φ14	136 12	93 43.3	3 Φ40	127 Φ12.5 ^{+0.5}	170 5	321 20	14 2.4	200 Φ160	142 M16×40				
GFA69	161 /	41 Φ40H7	65 Φ55	21 90	218 29	40 Φ14	159.5 12	97 43.3	3.5 Φ40	131 Φ12.5 ^{+0.5}	184 5	348 20	16 3	212 Φ160	156 M16×40				
GFA79	193 /	50 Φ50H7	69 Φ70	26.5 105	278 32	49 Φ22	200 14	122 53.8	4 Φ60	170 Φ21 ^{+0.5}	213 10	430 30	20 3.2	270 Φ200	183 M16×45				
GFA89	224 /	62 Φ60H7	79 Φ85	32 120	346 36	57 Φ22	246.7 18	150 64.4	4 Φ60	195 Φ21 ^{+0.5}	243 10	534 30	26 4.5	330 Φ250	210 M20×50				
GFA99	274 /	70 Φ70H7	104 Φ95	32 150	395 34	88 Φ26	285 20	180 74.9	4 Φ80	240 Φ25 ^{+0.5}	303 12	630 40	30 5	400 Φ300	270 M20×50				
GFA109	312 /	88 Φ90H7	100 Φ118	57 175	485 40	108 Φ26	332.4 25	201 95.4	2.5 Φ80	260 Φ25 ^{+0.5}	353 12	720 40	36 6	450 Φ350	313 M24×60				
GFA129	373 10	110 Φ100H7	125 Φ135	66 205	550 38	138 Φ33	382.6 28	236 106.4	2.5 Φ100	316 Φ32 ^{+0.5}	413 15	861 60	40 9	530 Φ450	373 M24×60				
GFA159	455 15	150 Φ120H7	140 Φ155	98 250	660 36	170 Φ33	447 32	286 127.4	3 Φ120	364 Φ32 ^{+0.5}	503 15	1021 60	45 9	660 Φ550	460 M24×60				

注：减速机部分的外形尺寸，未包含通气帽的高度尺寸。通气帽的高度尺寸为 17。

Note: the dimensions don't include the height of the breathe valve. the height of the breathe valve is 17.

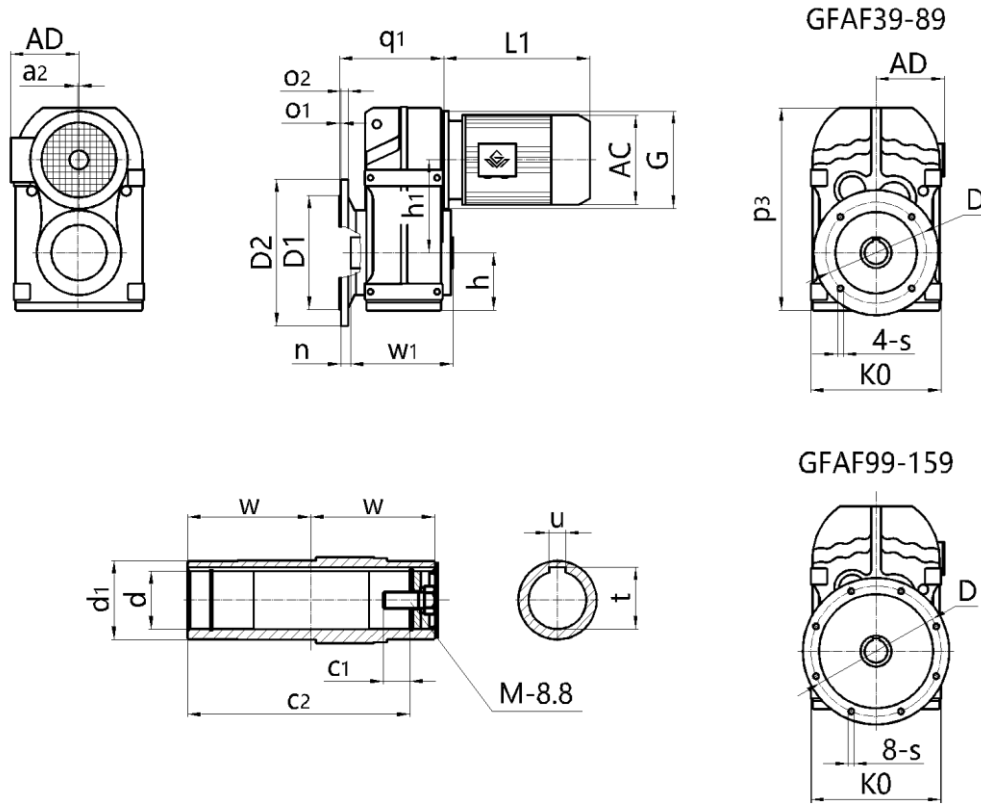
注：电机需方配或配特殊电机时需加联接法兰（见附录 D）

Note: When equipping the user's motor or the special one, the flange is required to connected. (Please see appendix D)

GF 系列平行轴-斜齿轮减速电机

安装结构尺寸 GFAF39-159

Mounting Dimensional Description GFAF39-159



机型号 Type Size	q1 K0	o1 a2	o2 d	D1 d1	D2 w	h1 c1	h n	w1 u	p3 t	s D	G c2	M	电机尺寸 Motor Size			
													AC	AD	L1	
GFAF39	137.5 165	3.5 /	10 Φ30H7	Φ110j6 Φ45	Φ160 60	112 17	77 24	123 8	256 33.3	Φ9 Φ130	Φ120 105	M10×25	见附录 A-2 和 A-3 Please see appendix A-2 and A-3			
GFAF49	161.5 180	3.5 /	12 Φ35H7	Φ130j6 Φ50	Φ200 75	128.1 22	80 25	153 10	276 38.3	Φ11 Φ165	Φ120 132	M12×30				
GFAF59	177.5 200	4 /	15 Φ40H7	Φ180j6 Φ55	Φ250 83	136 29	93 23.5	170 12	321 43.3	Φ13.5 Φ215	Φ160 142	M16×40				
GFAF69	188 212	4 /	15 Φ40H7	Φ180j6 Φ55	Φ250 90	159.5 29	97 23	184 12	348 43.3	Φ13.5 Φ215	Φ160 156	M16×40				
GFAF79	234 270	4 /	16 Φ50H7	Φ230j6 Φ70	Φ300 105	200 32	122 37	213 14	430 53.8	Φ13.5 Φ265	Φ200 183	M16×45				
GFAF89	259 330	5 /	18 Φ60H7	Φ250h6 Φ85	Φ350 120	246.7 36	150 30	243 18	534 64.4	Φ17.5 Φ300	Φ250 210	M20×50				
GFAF99	320.5 400	5 /	22 Φ70H7	Φ350h6 Φ95	Φ450 150	285 34	180 41.5	303 20	630 74.9	Φ17.5 Φ400	Φ300 270	M20×50				
GFAF109	358 450	5 /	22 Φ90H7	Φ350h6 Φ118	Φ450 175	332.4 40	201 41	353 25	723 95.4	Φ17.5 Φ400	Φ350 313	M24×60				
GFAF129	429 530	5 10	25 Φ100H7	Φ450h6 Φ135	Φ550 205	382.6 38	236 51	413 28	861 106.4	Φ17.5 Φ500	Φ450 373	M24×60				
GFAF159	521 660	6 15	28 Φ120H7	Φ550h6 Φ155	Φ660 250	447 36	286 60	503 32	1021 127.4	Φ22 Φ600	Φ550 460	M24×60				

注：减速机部分的外形尺寸，未包含通气帽的高度尺寸。通气帽的高度尺寸为 17。

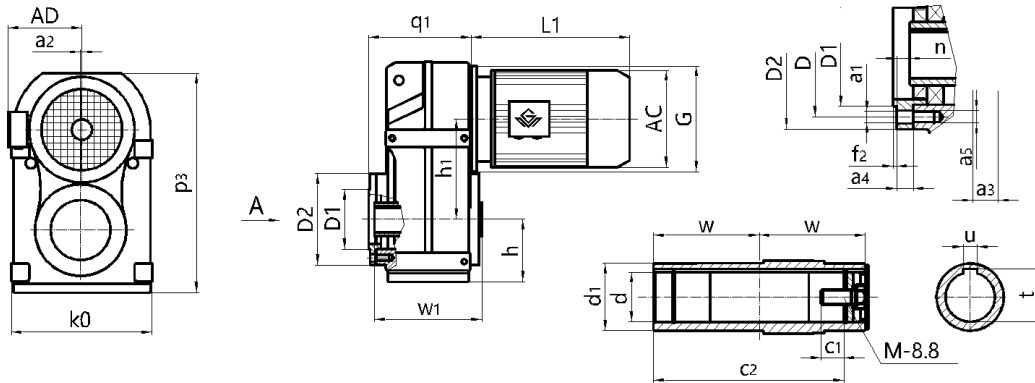
Note: the dimensions don't include the height of the breathe valve. the height of the breathe valve is 17.

注：电机需方配或配特殊电机时需加联接法兰（见附录 D）

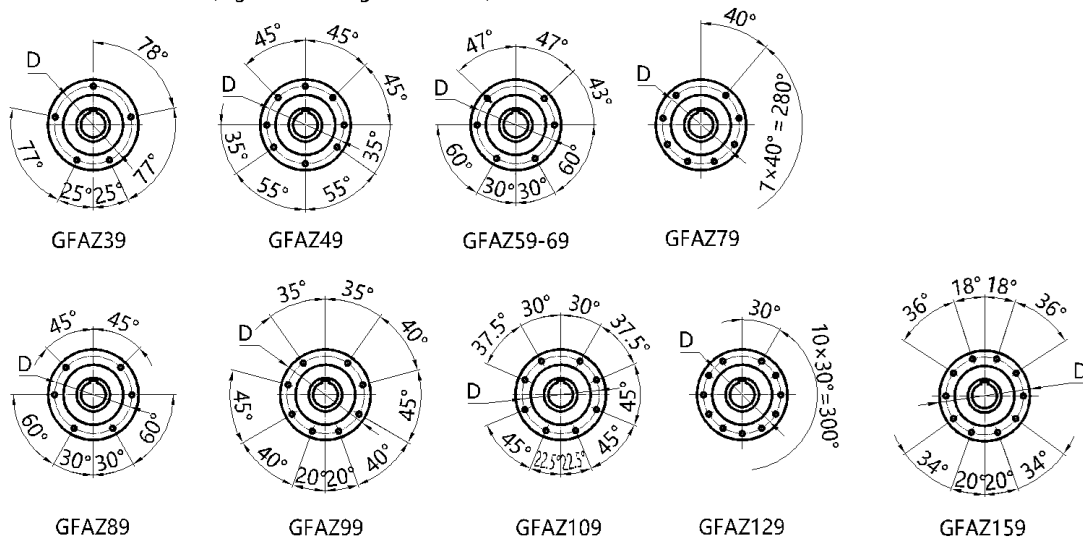
Note: When equipping the user's motor or the special one, the flange is required to connected. (Please see appendix D)

安装结构尺寸
GFAZ39-159

Mounting Dimensional Description
GFAZ39-159



A向法兰安装结构尺寸 (Fig.A Mounting Dimension)



机型号 Type Size	q ₁ k ₀	h h ₁	t D	D ₂ D ₁	p ₃ n	a ₄ a ₃	a ₅ w ₁	w c ₁	c ₂ u	d ₁ d	a ₂ f ₂	a ₁ M	G	电机尺寸 Motor Size		
														AC	AD	L1
GFAZ39	122 165	77 112	33.3 Φ94	Φ110 Φ80j6	256 9	11.5 15	M8 123	60 17	105 8	Φ45 Φ30H7	/ 3	Φ9 M10×25	Φ120	见附录 A-2 和 A-3 Please see appendix A-2 and A-3		
GFAZ49	144 180	80 128.1	38.3 Φ102	Φ120 Φ80j6	276 8	11 14	M8 153	75 22	132 10	Φ50 Φ35H7	/ 3	Φ9 M12×30	Φ120			
GFAZ59	162.5 200	93 136	43.3 Φ125	Φ155 Φ105j6	321 9	12 20	M12 170	83 29	142 12	Φ55 Φ40H7	/ 3.5	Φ13.5 M16×40	Φ160			
GFAZ69	173 212	97 159.5	43.3 Φ125	Φ155 Φ105j6	348 8.5	12 22	M12 184	90 29	156 12	Φ55 Φ40H7	/ 3.5	Φ13.5 M16×40	Φ160			
GFAZ79	206.5 270	122 200	53.8 Φ142	Φ170 Φ125j6	430 10	14 20	M12 213	105 32	183 14	Φ70 Φ50H7	/ 3.5	Φ13.5 M16×45	Φ200			
GFAZ89	239 330	150 246.7	64.4 Φ178	Φ215 Φ155j6	534 11	15 29	M16 243	120 36	210 18	Φ85 Φ60H7	/ 4	Φ17.5 M20×50	Φ250			
GFAZ99	292 400	180 285	74.9 Φ220	Φ260 Φ180j6	630 14	18 28	M16 303	150 34	270 20	Φ95 Φ70H7	/ 4	Φ17.5 M20×50	Φ300			
GFAZ109	308 450	201 332.4	95.4 Φ260	Φ304 Φ210j6	723 -8	22 32	M20 353	175 40	313 25	Φ118 Φ90H7	/ 4	Φ22 M24×60	Φ350			
GFAZ129	378 530	236 382.6	106.4 Φ300	Φ350 Φ250h6	861 0	30 36	M20 413	205 38	373 28	Φ135 Φ100H7	10 5	Φ22 M24×60	Φ450			
GFAZ159	455 660	286 447	127.4 Φ340	Φ400 Φ290h6	1021 -14	28 48	M24 503	250 36	460 32	Φ155 Φ120H7	15 5	Φ26 M24×60	Φ550			

注：减速机部分的外形尺寸，未包含通气帽的高度尺寸。通气帽的高度尺寸为 17。

Note: the dimensions don't include the height of the breathe valve. the height of the breathe valve is 17.

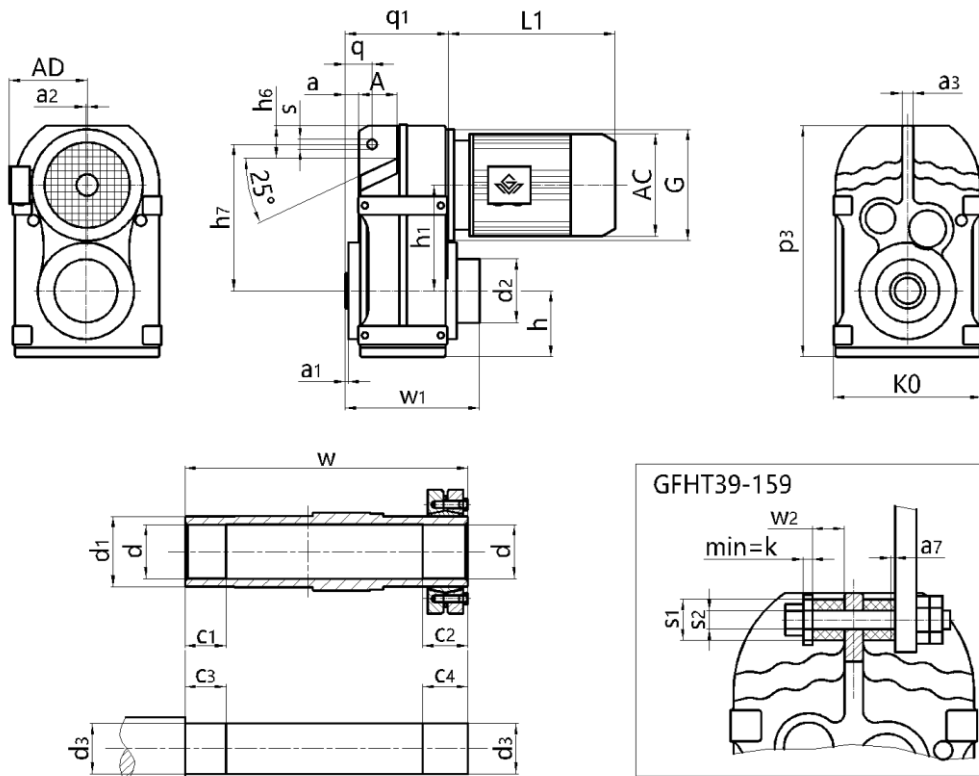
注：电机需方配或配特殊电机时需加联接法兰（见附录 D）

Note: When equipping the user's motor or the special one, the flange is required to connected. (Please see appendix D)

GF 系列平行轴-斜齿轮减速电机

安装结构尺寸 GFH39-159

Mounting Dimensional Description GFH39-159



螺栓、螺母、垫片均不在标准供货范围内

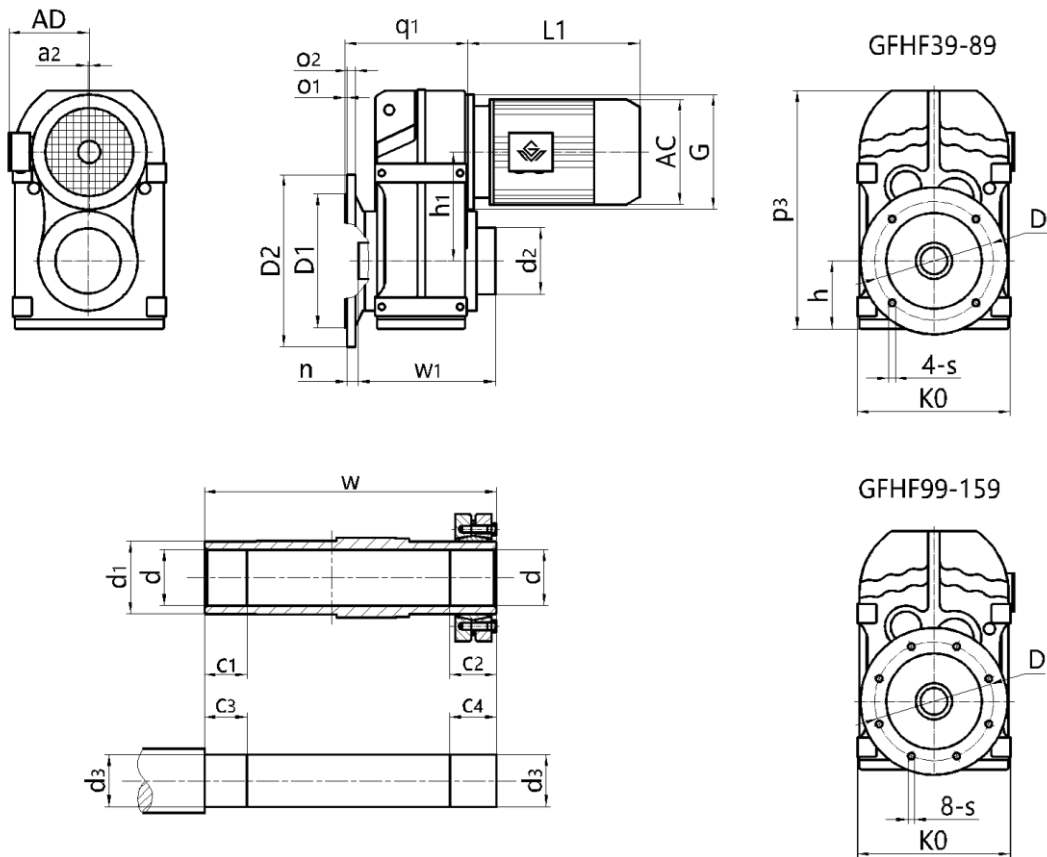
机型号 Type Size	q ₁ p ₃	h h ₁	h ₇ h ₆	w w ₁	c ₂ c ₁	c ₃ c ₄	q A	d ₂ d ₁	d d ₃	a a ₁	s a ₂	a ₃ K0	s ₁ s ₂	k w ₂	a ₇ G	电机尺寸 Motor Size							
																AC	AD	L1					
GFH39	110	77	158	146	31	25	31.5	Φ80	Φ30H7	15	Φ14	12	Φ40	5	1	见附录 A-2 和 A-3 Please see appendix A-2 and A-3							
	256	112	30	152.5	20	36	46	Φ45	Φ30h6	2.5	/	165	Φ12.5 ^{+0.5}	20	Φ120								
GFH49	133	80	170	177	32	25	32	Φ88	Φ35H7	12	Φ14	12	Φ40	5	1.8		见附录 A-2 和 A-3 Please see appendix A-2 and A-3						
	276	128.1	22	183	20	37	64	Φ50	Φ35h6	3	/	180	Φ12.5 ^{+0.5}	20	Φ120								
GFH59	150	93	198	195	26	25	40.5	Φ102	Φ40H7	19.5	Φ14	14	Φ40	5	2.4			见附录 A-2 和 A-3 Please see appendix A-2 and A-3					
	321	136	31	202	20	31	60	Φ55	Φ40h6	3	/	200	Φ12.5 ^{+0.5}	20	Φ160								
GFH69	161	97	218	208	38	25	41	Φ102	Φ40H7	21	Φ14	16	Φ40	5	3				见附录 A-2 和 A-3 Please see appendix A-2 and A-3				
	348	159.5	40	215.5	20	43	65	Φ55	Φ40h6	3.5	/	212	Φ12.5 ^{+0.5}	20	Φ160								
GFH79	193	122	278	241	36	35	50	Φ127	Φ50H7	26.5	Φ22	20	Φ60	10	3.2					见附录 A-2 和 A-3 Please see appendix A-2 and A-3			
	430	200	50	249	30	41	69	Φ70	Φ50h6	4	/	270	Φ21 ^{+0.5}	30	Φ200								
GFH89	224	150	346	281	41	45	62	Φ157	Φ65H7	32	Φ22	26	Φ60	10	4.5	见附录 A-2 和 A-3 Please see appendix A-2 and A-3							
	534	246.7	57	287	40	46	79	Φ85	Φ65h6	4	/	330	Φ21 ^{+0.5}	30	Φ250								
GFH99	274	180	395	345	55	55	70	Φ171	Φ75H7	34	Φ26	30	Φ80	12	5		见附录 A-2 和 A-3 Please see appendix A-2 and A-3						
	630	285	88	352	50	60	104	Φ95	Φ75h6	4	/	400	Φ25 ^{+0.5}	40	Φ300								
GFH109	312	201	485	405	65	70	88	Φ234	Φ95H7	57	Φ26	36	Φ80	12	6			见附录 A-2 和 A-3 Please see appendix A-2 and A-3					
	723	332.4	108	417	60	75	100	Φ118	Φ95h6	2.5	/	450	Φ25 ^{+0.5}	40	Φ350								
GFH129	373	236	550	485	85	80	110	Φ233	Φ105H7	66	Φ33	40	Φ100	15	9				见附录 A-2 和 A-3 Please see appendix A-2 and A-3				
	861	382.6	138	493	70	95	125	Φ135	Φ105h6	2.5	10	530	Φ32 ^{+0.5}	60	Φ450								
GFH159	455	286	660	580	90	90	150	Φ287	Φ125H7	98	Φ33	45	Φ120	15	9					见附录 A-2 和 A-3 Please see appendix A-2 and A-3			
	1021	447	170	592	80	100	140	Φ155	Φ125h6	3	15	660	Φ32 ^{+0.5}	60	Φ550								

注：减速机部分的外形尺寸，未包含通气帽的高度尺寸。通气帽的高度尺寸为 17。

Note: the dimensions don't include the height of the breathe valve. the height of the breathe valve is 17.

注：电机需方配或配特殊电机时需加联接法兰（见附录 D）

Note: When equipping the user's motor or the special one, the flange is required to connected. (Please see appendix D)

安装结构尺寸
GFHF39-159
Mounting Dimensional Description
GFHF39-159


机型号 Type Size	q ₁ p ₃	o ₁ o ₂	h h ₁	n s	K0 D	D1 D2	d ₂ d ₁	d d ₃	w w ₁	c ₁ c ₂	c ₃ c ₄	a ₂ G	电机尺寸 Motor Size				
													AC	AD	L1		
GFHF39	137.5	3.5	77	24	165	Φ110j6	Φ80	Φ30H7	146	20	25	/	见附录 A-2 和 A-3 Please see appendix A-2 and A-3				
	256	10	112	Φ9	Φ130	Φ160	Φ45	Φ30h6	152.5	31	36	Φ120					
GFHF49	161.5	3.5	80	25	180	Φ130j6	Φ88	Φ35H7	177	20	25	/					
	276	12	128.1	Φ11	Φ165	Φ200	Φ50	Φ35h6	183	32	37	Φ120					
GFHF59	177.5	4	93	23.5	200	Φ180j6	Φ102	Φ40H7	195	20	25	/					
	321	15	136	Φ13.5	Φ215	Φ250	Φ55	Φ40h6	202	26	31	Φ160					
GFHF69	188	4	97	23	212	Φ180j6	Φ102	Φ40H7	208	20	25	/					
	348	15	159.5	Φ13.5	Φ215	Φ250	Φ55	Φ40h6	215.5	38	43	Φ160					
GFHF79	234	4	122	37	270	Φ230j6	Φ127	Φ50H7	241	30	35	/					
	430	16	200	Φ13.5	Φ265	Φ300	Φ70	Φ50h6	249	36	41	Φ200					
GFHF89	259	5	150	30	330	Φ250h6	Φ157	Φ65H7	281	40	45	/					
	534	18	246.7	Φ17.5	Φ300	Φ350	Φ85	Φ65h6	287	41	46	Φ250					
GFHF99	320.5	5	180	41.5	400	Φ350h6	Φ171	Φ75H7	345	50	55	/					
	630	22	285	Φ17.5	Φ400	Φ450	Φ95	Φ75h6	352	55	60	Φ300					
GFHF109	358	5	201	41	450	Φ350h6	Φ234	Φ95H7	405	60	70	/					
	723	22	332.4	Φ17.5	Φ400	Φ450	Φ118	Φ95h6	417	65	75	Φ350					
GFHF129	429	5	236	51	530	Φ450h6	Φ233	Φ105H7	485	70	80	10					
	861	25	382.6	Φ17.5	Φ500	Φ550	Φ135	Φ105h6	493	85	95	Φ450					
GFHF159	521	6	286	60	660	Φ550h6	Φ287	Φ125H7	580	80	90	15					
	1021	28	447	Φ22	Φ600	Φ660	Φ155	Φ125h6	592	90	100	Φ550					

注：减速机部分的外形尺寸，未包含通气帽的高度尺寸。通气帽的高度尺寸为 17。

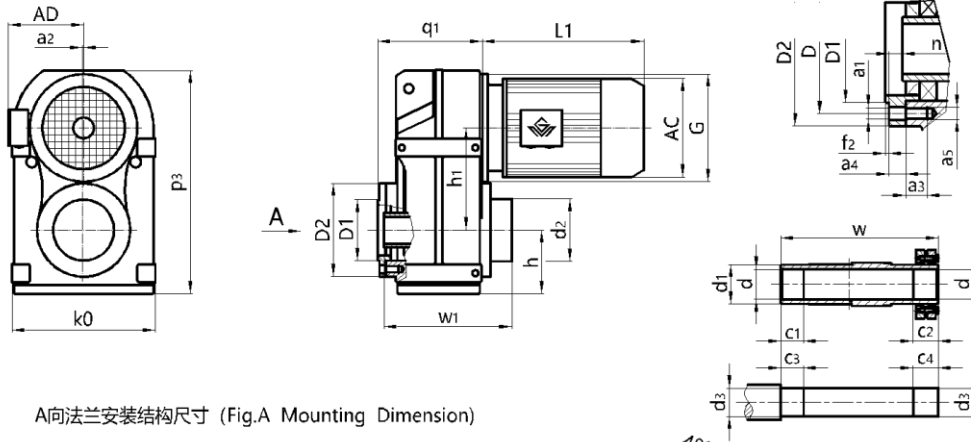
Note: the dimensions don't include the height of the breathe valve. the height of the breathe valve is 17.

注：电机需方配或配特殊电机时需加联接法兰（见附录 D）

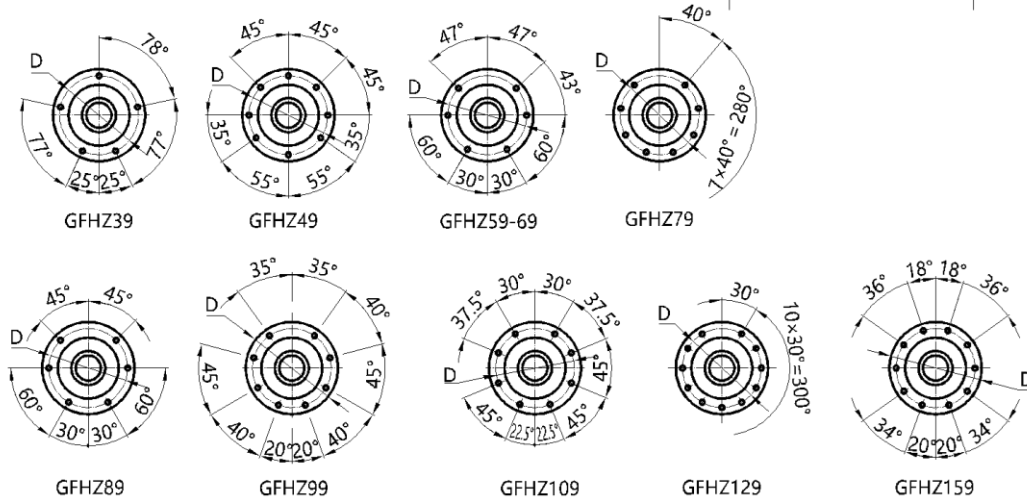
Note: When equipping the user's motor or the special one, the flange is required to connected. (Please see appendix D)

安装结构尺寸 GFHZ39-159

Mounting Dimensional Description GFHZ39-159



A向法兰安装结构尺寸 (Fig.A Mounting Dimension)



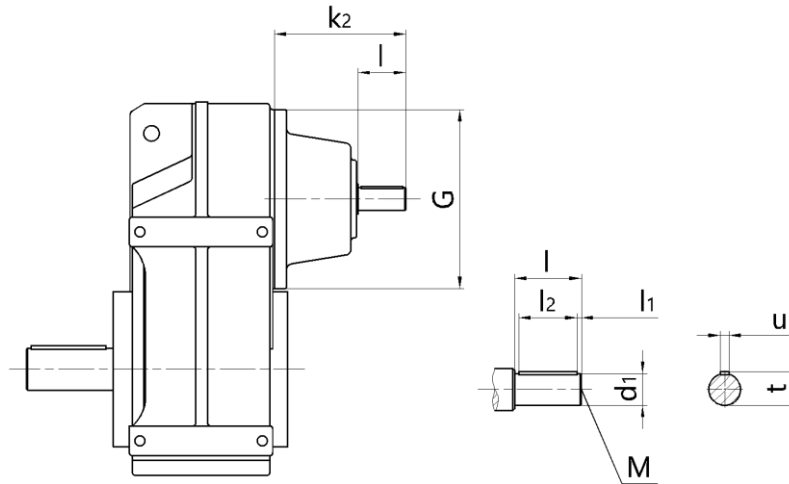
机型号 Type Size	q1 K0	h h1	D2 D1	p3 n	a4 a3	a5 G	w w1	c2 c1	c3 c4	d2 d1	d d3	a2 f2	a1 D	电机尺寸 Motor Size																			
														AC	AD	L1																	
GFHZ39	122	77	Φ110	256	11.5	M8	146	31	25	Φ80	Φ30H7	/	Φ9	见附录 A-2 和 A-3 Please see appendix A-2 and A-3																			
	165	112	Φ80j6	9	15	Φ120	152.5	20	36	Φ45	Φ30h6	3	Φ94																				
GFHZ49	144	80	Φ120	276	11	M8	177	32	25	Φ88	Φ35H7	/	Φ9																				
	180	128.1	Φ80j6	8	14	Φ120	183	20	37	Φ50	Φ35h6	3	Φ102																				
GFHZ59	162.5	93	Φ155	321	12	M12	195	26	25	Φ102	Φ40H7	/	Φ13.5																				
	200	136	Φ105j6	9	20	Φ160	202	20	31	Φ55	Φ40h6	3.5	Φ125																				
GFHZ69	173	97	Φ155	348	12	M12	208	38	25	Φ102	Φ40H7	/	Φ13.5																				
	212	159.5	Φ105j6	8.5	22	Φ160	215.5	20	43	Φ55	Φ40h6	3.5	Φ125																				
GFHZ79	206.5	122	Φ170	430	14	M12	241	36	35	Φ127	Φ50H7	/	Φ13.5																				
	270	200	Φ125j6	10	20	Φ200	249	30	41	Φ70	Φ50h6	3.5	Φ142																				
GFHZ89	239	150	Φ215	534	15	M16	281	41	45	Φ157	Φ65H7	/	Φ17.5																				
	330	246.7	Φ155j6	11	29	Φ250	287	40	46	Φ85	Φ65h6	4	Φ178																				
GFHZ99	292	180	Φ260	630	18	M16	345	55	55	Φ171	Φ75H7	/	Φ17.5																				
	400	285	Φ180j6	14	28	Φ300	352	50	60	Φ95	Φ75h6	4	Φ220																				
GFHZ109	308	201	Φ304	723	22	M20	405	65	70	Φ234	Φ95H7	/	Φ22																				
	450	332.4	Φ210j6	-8	32	Φ350	417	60	75	Φ118	Φ95h6	4	Φ260																				
GFHZ129	378	236	Φ350	861	30	M20	485	85	80	Φ233	Φ105H7	10	Φ22																				
	530	382.6	Φ250h6	0	36	Φ450	493	70	95	Φ135	Φ105h6	5	Φ300																				
GFHZ159	455	286	Φ400	1021	28	M24	580	90	90	Φ287	Φ125H7	15	Φ26																				
	660	447	Φ290h6	-14	48	Φ550	592	80	100	Φ155	Φ125h6	5	Φ340																				

注：减速机部分的外形尺寸，未包含通气帽的高度尺寸。通气帽的高度尺寸为 17。

Note: the dimensions don't include the height of the breathe valve. the height of the breathe valve is 17.

注：电机需方配或配特殊电机时需加联接法兰（见附录 D）

Note: When equipping the user's motor or the special one, the flange is required to connected. (Please see appendix D)

安装结构尺寸
GF..39-159AD1-8
Mounting Dimensional Description
GF..39-159AD1-8


机型号 Type Size	规格 Specification	适用功率范围(kW)/4P Range Power	d ₁	G	k ₂	l	M	l ₁	l ₂	t	u
GF..39/49	AD1	0.12-0.18	16k6	Φ120	130	40	M5	4	32	18	5
	AD2	0.25-3	19k6	Φ120	130	40	M6	4	32	21.5	6
GF..59/69	AD2	0.12-1.5	19k6	Φ160	149	40	M6	4	32	21.5	6
	AD3	2.2-5.5	24k6	Φ160	159	50	M8	5	40	27	8
GF..79	AD2	0.37-1.5	19k6	Φ200	184	40	M6	4	32	21.5	6
	AD3	2.2-4	24k6	Φ200	194	50	M8	5	40	27	8
	AD4	5.5-11	38k6	Φ200	224	80	M12	5	70	41	10
GF..89	AD2	0.75-1.5	19k6	Φ250	136	40	M6	4	32	21.5	6
	AD3	2.2-4	28k6	Φ250	156	60	M10	5	50	31	8
	AD4	5.5-7.5	38k6	Φ250	262	80	M12	5	70	41	10
	AD5	11-22	42k6	Φ250	292	110	M16	10	70	45	12
GF..99	AD3	1.1-4	28k6	Φ300	194	60	M10	5	50	31	8
	AD4	5.5-7.5	38k6	Φ300	214	80	M12	5	70	41	10
	AD5	11-22	42k6	Φ300	327	110	M16	10	70	45	12
	AD6	30	48k6	Φ300	327	110	M16	10	80	51.5	14
GF..109	AD3	2.2-4	28k6	Φ350	188	60	M10	5	50	31	8
	AD4	5.5-7.5	38k6	Φ350	208	80	M12	5	70	41	10
	AD5	11-22	42k6	Φ350	321	110	M16	10	70	45	12
	AD6	30-45	48k6	Φ350	321	110	M16	10	80	51.5	14
GF..129	AD4	7.5	38k6	Φ450	270	80	M12	5	70	41	10
	AD5	11-22	42k6	Φ450	300	110	M16	10	90	45	12
	AD6	30-45	48k6	Φ450	300	110	M16	10	90	51.5	14
	AD7	55	55m6	Φ450	300	110	M20	10	90	59	16
	AD8	75-90	70m6	Φ450	383	140	M20	15	110	74.5	20
GF..159	AD5	11-22	42k6	Φ550	344	110	M16	10	90	45	12
	AD6	30-45	48k6	Φ550	344	110	M16	10	90	51.5	14
	AD7	55-90	55m6	Φ550	344	110	M20	10	90	59	16
	AD8	110-200	70m6	Φ550	374	140	M20	15	110	74.5	20

其它尺寸请参照 GF 型。

注： 1. GFA/GFAF/GFF/GFAZ/GFH/GFHF/GFHF/GFHZ 均可采用双轴型，并分别记为 GFA..AD..、GFAF..AD..、GFF..AD..、GFAZ..AD..、GFH..AD..、GFHF..AD..和 GFHZ..AD..。

2. 通过联轴器联接，可直接参考上表功率范围；若电机和减速机之间是通过其他极数电机、齿轮、链轮、皮带轮等传动方式联接，需客户自行转换。

For other dimensions, see the type GF.

Note: 1. double shafts type is also available for type GFA/GFAF/GFF/GFAZ/GFH/GFHF/GFHZ, and these double shafts types are respectively named type GFA..AD..、GFAF..AD..、GFF..AD..、GFAZ..AD..、GFH..AD..、GFHF..AD.. and GFHZ..AD..。

2. Applicable power refers to the input torque of 4 pole motor. If the connect way is coupling, can see the power range on the table directly, if the connect way is other pole motor, sprocket, belt pulley, need customers to convert by themselves.

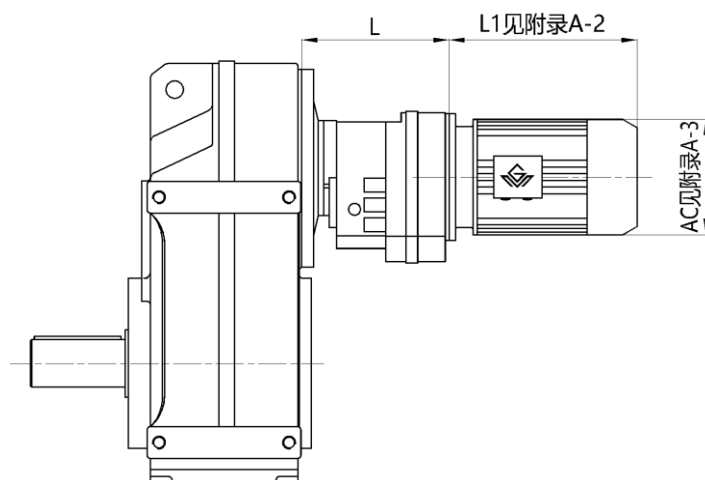
GF 系列平行轴-斜齿轮减速电机

安装结构尺寸

GF..R..

Mounting Dimensional Description

GF..R..



机型号 Type Size	机座号 Frame Size	L
GF..39R19 GF..49R19	63	135
	71	
	80	
GF..59R39	63	163
	71	
	80	
GF..69R39	63	163
	71	
	80	
GF..79R39	63	163
	71	
	80	
GF..89R59	63	216
	71	
	80	
GF..99R59	63	216
	71	
	80	
GF..109R79	63	251
	71	
	80	
GF..119R79	90	251
	100	
	112	
GF..129R79	132	251
	160	
	180	

机型号 Type Size	机座号 Frame Size	L
GF..129R79	63	241
	71	
	80	
	90	
	100	
	112	
GF..129R89	132	280
	160	
	180	
	200	
GF..159R99	90	332
	100	
	112	
	132	
	160	
	180	

注: GFA/GFAF/GFF/GFAZ/GFH/GFHF/GFHZ 均可采用串联组合机型。

Note: Combined type is also available for type GFA/GFAF/GFF/GFAZ/GFH/GFHF/GFHZ.

注: 电机需方配或配特殊电机时需加联接法兰 (见附录 D)

Note: When equipping the user's motor or the special one, the flange is required to connected. (Please see appendix D)

叶轮给煤机减速机

本系列产品为叶轮给煤机设计制造。

产品的特点为：

- 1、齿轮采用高强度低碳合金钢，经渗碳淬磨齿加工，齿轮精度高，硬度高。
- 2、配置有高承载能力的轴承，能承受不大于30000N的轴向推力。
- 3、输出轴端采用迷宫和油封双重密封。
- 4、箱体采用高强度铸铁，因而单位体积承载能力高，体积小。
- 5、主要零部件都经过精密加工，并通过精心组装和测试，因而减速机噪声低。
- 6、传动效率高，不低于95%，可长时间连续运行。

300-600 吨叶轮给煤机减速机

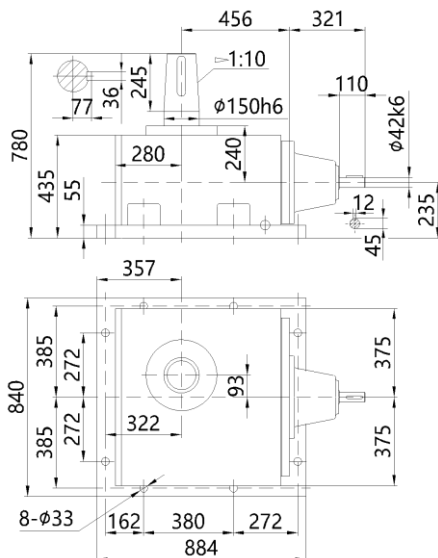
型号：GYJS-A/A(输入轴型)；GYJS-A/B(电机型)；

主要技术参数：

- 1、输入功率：15kW
- 2、输入转速：1460r/min
- 3、公称速比：120
- 4、输出扭矩：11500N·m
- 5、承载能力：20000N·m
- 6、轴向承载能力：不大于30000N
- 7、减速机重量(不包括电机)：880kg

输入轴型外形及安装尺寸：

Overall and installation dimension of input shaft types:



Impeller Coal Feeder Reducer

This series of products are designed and manufactured for the impeller coal feeder

The features of the product are:

1. The gear is made of high strength low carbon alloy steel, After carburizing, quenching and grinding the gear has high precision and hardness.
2. The bearing is equipped with high bearing capacity and can withstand axial thrust of no more than 30000N.
3. Output shaft end adopts labyrinth and oil seal double sealing.
4. The box body is made of high strength cast iron, so the unit volume bearing capacity is high and the volume is small.
5. The main parts and components are precisely machined, and carefully assembled and tested, thus reducing the noise of the reducer.
6. High transmission efficiency, no less than 95%, can run for a long time.

300-600 ton Impeller coal feeder reducer.

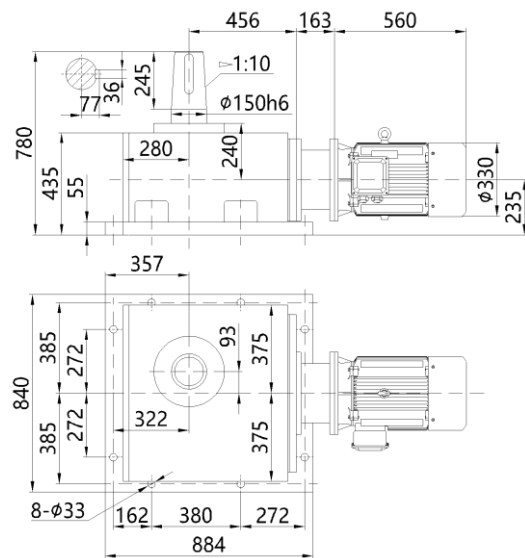
Type: GYJS-A/A(the input shaft type); GYJS-A/B(with motor type);

Main technical parameters:

1. Input power: 15kW
2. Input speed: 1460r/min
3. Speed ratio: 120
4. Output torque: 11500N·m
5. Carrying capacity: 20000N·m
6. Axial bearing capacity: lower than 30000N
7. Reducer weight(not include motor): 880kg

电机型外形及安装尺寸：

Overall and installation dimension of electric motor types:



1000-1500 吨叶轮给煤机减速机

型号: GYJS-B/A(输入轴型); GYJS-B/B(电机型);

主要技术参数:

1. 输入功率: 22kW
2. 输入转速: 1470r/min
3. 公称速比: 120
4. 输出扭矩: 17000N·m
5. 承载能力: 40000N·m
6. 轴向承载能力: 不大于 40000N
7. 减速机重量(不包括电机): 1630kg

1000-1500 ton Impeller coal feeder reducer.

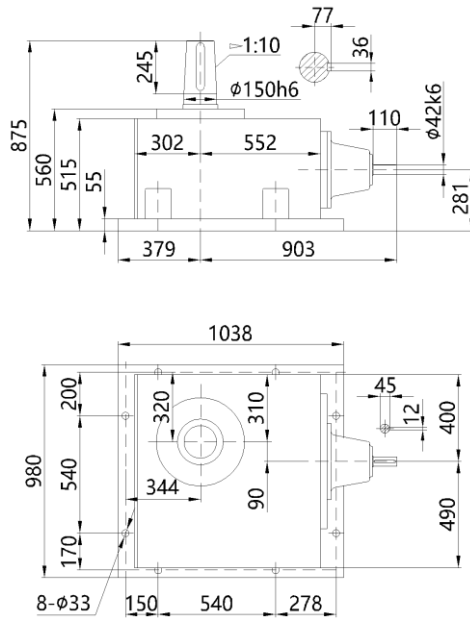
Type: GYJS-B/A(the input shaft type); GYJS-B/B(with motor type);

Main technical parameters:

1. Input power: 22kW
2. Input speed: 1470r/min
3. Speed ratio: 120
4. Output torque: 17000N·m
5. Carrying capacity: 40000N·m
6. Axial bearing capacity: lower than 40000N
7. Reducer weight(not include motor): 1630kg

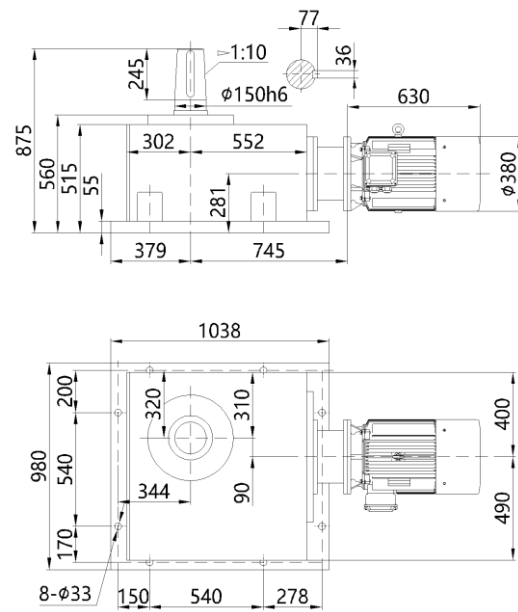
输入轴型外形及安装尺寸:

Overall and installation dimension of input shaft types:



电机型外形及安装尺寸:

Overall and installation dimension of electric motor types:



附录 A-1
Appendix A-1
标准普通电机技术参数 (2 极)
Technical Date of Standard Ordinary Motors (2P)

机座号 Frame size	额定功率 Rated power/kW	满载时 Full load				堵转电流 Blocked current	堵转转矩 Blocked torque	最大转矩 Max torque	转动惯量 Moment of inertia / (kg.m ²)	净重 Weight /kg
		转速 Speed / (r/min)	电流 Current /A	效率 Eff / (%)	功率因数 Power factor	额定电流 Rated current	额定转矩 Rated torque	额定转矩 Rated torque		
同步转速 3000r/min 2 极 Synchronous Speed 3000r/min 2P										
631-2	0.18	2720	0.53	65.0	0.80	5.5	2.2	—	9	
632-2	0.25		0.69	68.0	0.81					
711-2	0.37	2740	0.99	70.0	0.81	6.1	2.3	—	14	
712-2	0.55		1.4	73.0	0.82					
801-2	0.75	2830	1.83	75.0	0.83	7.0	2.2	0.00075	16	
802-2	1.1		2.55	77.0	0.84					
90S-2	1.5	2840	3.4	79.0	0.85	7.0	2.2	0.0012	22	
90L-2	2.2		4.8	81.0						
100L-2	3.0	2870	6.31	83.0	0.87	7.5	2.2	0.0014	25	
112M-2	4.0	2890	8.23	85.0	0.88					
132S1-2	5.5	2900	11.18	86.0	0.89	7.5	2.2	0.0029	33	
132S2-2	7.5		15.06	87.0						
160M1-2	11	2930	21.35	88.0	0.90	7.5	2.2	0.0055	45	
160M2-2	15		28.78	89.0						
160L-2	18.5	2940	34.72	90.0	0.91	7.5	2.2	0.0109	64	
180M-2	22		41.28	90.5						
200L1-2	30	2950	55.37	91.2	0.92	7.1	2.0	0.0126	70	
200L2-2	37		67.92	92.0						
225M-2	45	2970	82.16	92.3	0.91	7.1	2.0	0.0377	117	
250M-2	55		100.1	92.5						
280S-2	75	2980	134.0	93.2	0.92	7.1	2.0	0.0449	125	
280M-2	90		160.27	93.8						
315S-2	110	2980	195.46	94.0	0.92	7.1	1.8	0.055	147	
315M-2	132		233.3	94.5						
315L1-2	160	2980	279.44	94.6	0.92	7.1	2.2	0.075	180	
315L2-2	200		347.83	94.8						
355M-2	250	315	432.5	95.3	0.92	7.1	1.6	0.124	240	
355L-2	315		543.25	95.6						

注：表格中带*的参数仅作为参考，具体数值以实际供货电机的铭牌参数为准。

Note: The parameters with * in the table are for reference only. The specific values are subject to the nameplate parameters of the actual supplied motor.

附录 A-1

Appendix A-1

标准普通电机技术参数 (4 极)

Technical Data of Standard Ordinary Motors (4P)

机座号 Frame size	额定功率 Rated power/kW	满载时 Full load				堵转电流 Blocked current	堵转转矩 Blocked torque	最大转矩 Max torque	转动惯量 Moment of inertia /(kg.m ²)	净重 Weight /kg*	
		转速 Speed /(r/min)*	电流 Current /A	效率 Eff /(%)*	功率因数 Power factor*	额定电流 Rated current	额定转矩 Rated torque	额定转矩 Rated torque			
同步转速 1500r/min 4 极 Synchronous Speed 1500r/min 4P											
631-4	0.12	1310	0.44	57.0	0.72	4.4	2.1	2.2	—	9	
632-4	0.18		0.62	60.0	0.73					10	
711-4	0.25	1330	0.79	65.0	0.74	5.2	2.4	2.3	—	13	
712-4	0.37		1.12	67.0	0.75					14	
801-4	0.55	1390	1.57	71.0	0.77	6.0	2.3	2.3	—	17	
802-4	0.75		2.03	73.0						18	
90S-4	1.1	1400	2.82	75.0	0.82	7.0	2.3	2.3	—	22	
90L-4	1.5		3.7	78.0						0.79	27
100L1-4	2.2	1430	5.16	80.0	0.81	7.0	2.3	2.3	—	34	
100L2-4	3.0		6.78	82.0	0.82					38	
112M-4	4.0	1440	8.83	84.0	0.83	7.2	2.2	2.3	—	43	
132S-4	5.5		11.7	85.0						0.83	68
132M-4	7.5	1460	15.6	87.0	0.84	7.5	2.2	2.3	—	81	
160M-4	11		22.35	88.0	0.85					123	
160L-4	15	30.14	89.0	0.85		144					
180M-4	18.5	1470	36.47	90.5	0.86	7.2	2.2	2.3	—	182	
180L-4	22		43.14	91.0						0.86	190
200L-4	30	1480	57.63	92.0	0.87	7.2	2.1	2.2	—	270	
225S-4	37		69.89	92.5						0.87	284
225M-4	45	95.54	92.8	0.88	6.9	2.1	2.2	—	—	320	
250M-4	55	103.1	93.0							0.87	427
280S-4	75	139.7	93.8	0.89	6.9	2.1	2.2	—	—	562	
280M-4	90	166.93	94.2							0.89	667
315S-4	110	1490	201.06	94.5	0.90	6.9	2.1	2.2	—	—	1000
315M-4	132		240.57	94.8							0.90
315L1-4	160	287.95	94.9	0.90	6.9	2.1	2.2	—	—	1160	
315L2-4	200	358.8	95.0							0.90	1270
355M-4	250	442.12	95.3	0.90	6.9	2.1	2.2	—	—	1700	
355L-4	315	555.32	95.6							0.90	1850

注：表格中带*的参数仅作为参考，具体数值以实际供货电机的铭牌参数为准。

Note: The parameters with * in the table are for reference only. The specific values are subject to the nameplate parameters of the actual supplied motor.

附录 A-1

Appendix A-1

标准普通电机技术参数 (6 极)

Technical Date of Standard Ordinary Motors (6P)

机座号 Frame size	额定功率 Rated power/kW	满载时 Full load				堵转电流 Blocked current	堵转转矩 Blocked torque	最大转矩 Max torque	转动惯量 Moment of inertia /(kg.m ²)	净重 Weight /kg*
		转速 Speed /(r/min)*	电流 Current /A	效率 Eff /(%)*	功率因数 Power factor*	额定电流 Rated current	额定转矩 Rated torque	额定转矩 Rated torque		
同步转速 1000r/min 6 极 Synchronous Speed 1000r/min 6P										
711-6	0.18	850	0.74	56.0	0.66	4.0	1.9	2.0	—	—
712-6	0.25		0.95	59.0	0.68					
801-6	0.37	890	1.3	62.0	0.70	4.7	2.0	0.00158	17	
802-6	0.55		1.79	65.0	0.72					
90S-6	0.75	910	2.26	69.0	0.73	5.5	2.0	0.0029	23	
90L-6	1.1		3.14	72.0						
100L-6	1.5	940	3.95	76.0	0.75	6.5	2.1	0.0069	33	
112M-6	2.2		5.57	79.0	0.76					
132S-6	3.0	960	7.41	81.0	0.77	7.0	2.1	0.0286	63	
132M1-6	4.0		9.64	82.0						
132M2-6	5.5		12.93	84.0						
160M-6	7.5	970	17.0	86.0	0.81	7.0	2.1	0.0449	84	
160L-6	11		24.23	87.5						0.78
180L-6	15		31.63	89.0						0.86
200L1-6	18.5	980	38.1	90.0	0.83	7.0	2.1	0.0881	119	
200L2-6	22		44.52	90.0						
225M-6	30		58.63	91.5						0.84
250M-6	37	980	71.08	92.0	0.86	7.0	2.1	0.116	147	
280S-6	45		85.98	92.5						
280M-6	55		104.75	92.8						
315S-6	75	990	141.77	93.5	0.87	7.0	2.1	0.207	195	
315M-6	90		169.58	93.8						
315L1-6	110		206.83	94.0						
315L2-6	132	990	244.82	94.2	0.87	6.7	2.0	0.315	220	
355M1-6	160		291.52	94.5						
355M2-6	200		363.64	94.7						0.88
355L-6	250	990	453.60	94.9	0.88	6.7	1.9	0.360	250	
								0.834	408	
								1.39	536	
								1.65	595	
								4.11	990	
								4.28	1080	
								5.45	1150	
								6.12	1210	
								8.85	1600	
								9.55	1700	
								10.63	1800	

注：表格中带*的参数仅作为参考，具体数值以实际供货电机的铭牌参数为准。

Note: The parameters with * in the table are for reference only. The specific values are subject to the nameplate parameters of the actual supplied motor.

附录 A-1

Appendix A-1

标准普通电机技术参数 (8/10 极)

Technical Data of Standard Ordinary Motors (8/10P)

机座号 Frame size	额定功率 Rated power/kW	满载时 Full load				堵转电流 Blocked current	堵转转矩 Blocked torque	最大转矩 Max torque	转动惯量 Moment of inertia /(kg.m ²)	净重 Weight /kg*
		转速 Speed /(r/min)*	电流 Current /A	效率 Eff /(%)*	功率因数 Power factor*	额定电流 Rated current	额定转矩 Rated torque	额定转矩 Rated torque		
同步转速 750r/min 8 极 Synchronous Speed 750r/min 8P										
801-8	0.18	630	0.88	51.0	0.61	3.3	1.9	0.00158	17	
802-8	0.25	640	1.15	54.0		4.0		0.0021	19	
90S-8	0.37	660	1.49	62.0				0.0029	23	
90L-8	0.55		690	2.18	63.0	0.67	0.0035	25		
100L1-8	0.75	690		2.43	71.0		0.69	0.0069	33	
100L2-8	1.1		680	3.42	73.0	5.0		0.0107	38	
112M-8	1.5	710		4.47	75.0		0.71	0.0149	50	
132S-8	2.2		710	6.04	78.0	0.73		0.0314	63	
132M-8	3.0	720		7.9	79.0		6.0	0.0395	79	
160M1-8	4.0		720	10.28	81.0	1.9		0.0753	118	
160M2-8	5.5	720		13.61	83.0		2.0	0.0931	119	
160L-8	7.5		730	17.88	85.5	0.75		0.126	145	
180L-8	11	730		25.29	87.5		0.76	0.203	184	
200L-8	15		740	34.09	88.0	6.6		0.339	250	
225S-8	18.5	740		40.58	90.0		1.9	0.491	266	
225M-8	22		740	47.37	90.5	0.78		0.547	292	
250M-8	30	740		63.43	91.0		0.79	0.834	405	
280S-8	37		740	76.83	91.5	1.8		1.39	520	
280M-8	45	740		92.93	92.0		0.81	1.65	592	
315S-8	55		740	112.97	92.8	6.4		4.79	1000	
315M-8	75	740		151.33	93.0		1.8	5.58	1100	
315L1-8	90		740	177.86	93.8	0.82		6.37	1160	
315L2-8	110	740		216.92	94.0		6.4	7.23	1230	
355M1-8	132		740	260.3	93.7	0.83		10.55	1600	
355M2-8	160	740		310.07	94.2		6.4	11.73	1700	
355L-8	200		740	386.36	94.5	0.83		12.86	1800	
同步转速 600r/min 10 极 Synchronous Speed 600r/min 10P										
315S-10	45	590	99.67	91.5	0.75	6.2	1.5	4.79	810	
315M-10	55		590	121.16	92.0			0.75	6.37	930
315L1-10	75			590	162.16			92.5	0.76	7.0
315L2-10	90	590	191.03		93.0	0.77	2.0	7.15	1115	
355M1-10	110		590	230	93.2	0.78		6.0	1.3	12.55
355M2-10	132	590		275.11	93.5		6.0			1.3
355L-10	160		590	333.47	93.5	6.0		1.3	14.86	

注：表格中带*的参数仅作为参考，具体数值以实际供货电机的铭牌参数为准。

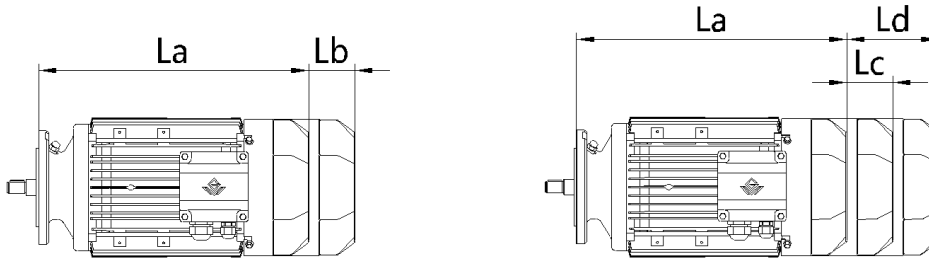
Note: The parameters with * in the table are for reference only. The specific values are subject to the nameplate parameters of the actual supplied motor.

附录 A-2

Appendix A-2

G 系列用直联型 IE2 普通电机尺寸 L1(L1=La, La 值见下表)

G series gearbox connects IE2 ordinary motor directly without flange,(the size is L1, L1 is equal to La)



GR 系列 La 值 La for GR Series

机型号 Type size	Frame size 机座号	63M	71M	80M	90S	90L	100L	112M	132S	132M	160M	160L	180M	180L	200L	225S	225M	250M	280S	280M	
GR...19/29/39		257	257	310	333	368	399														
GR...49/59/69/GRX...59/69		257	257	304	327	362	391	441	447	482											
GR...79/GRX...79		258	258	298	319	354	383	432	435	470	521	562									
GR...89/GRX...89				293	315	350	379	427	430	465	518	562	631	669							
GR...99/GRX...99				284	313	342	373	422	425	460	526	570	626	664	713						
GR...109/GRX...109							367	416	419	454	528	572	620	658	707	721	746				
GR...139/GRX...139								412	447	530	574	613	651	700	709	734	816				
GR...149										532	576	605	643	681	706	731	808	872	923		
GR...169/179										535	579	603	641	680	693	718	800	861	912		

GS 系列 La 值 La for GS Series

机型号 Type size	Frame size 机座号	63M	71M	80M	90S	90L	100L	112M	132S	132M	160M	160L	180M	180L	200L	225S	225M	250M	280S	280M	
GS...39/49/59		257	257	310	333	368	399														
GS...69		257	257	304	327	362	391	441	447	482											
GS...79		258	258	298	319	354	383	432	435	470	521	562									
GS...89				293	315	350	379	427	430	465	518	562	631	669							
GS...99				284	313	342	373	422	425	460	526	570	626	664	713						
GS...109							367	416	419	454	528	572	620	658	707						

GK 系列 La 值 La for GK Series

机型号 Type size	Frame size 机座号	63M	71M	80M	90S	90L	100L	112M	132S	132M	160M	160L	180M	180L	200L	225S	225M	250M	280S	280M	
GK...39		257	257	310	333	368	399														
GK...49/59/69		257	257	304	327	362	391	441	447	482											
GK...79		258	258	298	319	354	383	432	435	470	521	562									
GK...89				293	315	350	379	427	430	465	518	562	631	669							
GK...99				284	313	342	373	422	425	460	526	570	626	664	713						
GK...109							367	416	419	454	528	572	620	658	707	721	746				
GK...129								404	439	532	576	605	643	681	706	731	808	872	923		
GK...159/169/189										535	579	603	641	680	693	718	800	861	912		

GF 系列 La 值 La for GF Series

机型号 Type size	Frame size 机座号	63M	71M	80M	90S	90L	100L	112M	132S	132M	160M	160L	180M	180L	200L	225S	225M	250M	280S	280M	
GF...39/49		257	257	310	333	368	399														
GF...59/69		257	257	304	327	362	391	441	447	482											
GF...79		258	258	298	319	354	383	432	435	470	521	562									
GF...89				293	315	350	379	427	430	465	518	562	631	669							
GF...99				284	313	342	373	422	425	460	526	570	626	664	713						
GF...109							367	416	419	454	528	572	620	658	707	721	746				
GF...129								404	439	532	576	605	643	681	706	731	808	872	923		
GF...159										535	579	603	641	680	693	718	800	861	912		

附录 A-2

Appendix A-2

G 系列用直联型非普通电机尺寸 L1

G series use directly type not ordinary motor size L1

电机类型 机座号 Motor type Frame size	变频直联电机 variable frequency directly motor	制动直联电机 brake directly motor	变频制动直联电机 variable frequency brake directly motor
	L1=La+Lb	L1=La+Lc	L1=La+Ld
63M	La+67	La+57	La+112
71M	La+67	La+57	La+112
80M	La+59	La+60	La+106
90S	La+74	La+70	La+122
90L	La+74	La+70	La+119
100L	La+77	La+68	La+108
112M	La+83	La+74	La+102
132S	La+73	La+82	La+129
132M	La+73	La+82	La+109
160M	La+65	La+91	La+155
160L	La+68	La+94	La+158
180M	La+112	La+125	La+212
180L	La+112	La+125	La+212
200L	La+73	La+148	La+213
225S	La+92	La+167	La+236
225M	La+92	La+167	La+236
250M	La+100	La+183	La+260
280S	La+127	La+201	La+293
280M	La+127	La+201	La+293

注：La 尺寸见上表。

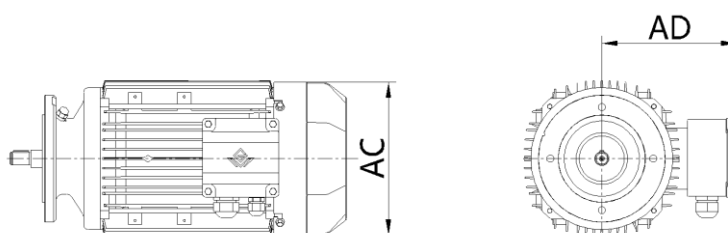
Note: La size are shown in the above table.

附录 A-3

Appendix A-3

G 系列用直联型 IE2 电机外壳尺寸 AC 和接线盒高度尺寸 AD

G series use directly type IE2 motor shell size AC and terminal box height size AD



电机尺寸 Frame size 机座号 Motor size	63M	71M	80M	90S	90L	100L	112M	132S	132M	160M	160L	180M	180L	200L	225S	225M	250M	280S	280M
AC	163	163	179	198	198	228	249	295	295	337	337	376	376	405	451	451	490	552	552
AD	138	138	149	166	166	181	187	210	210	260	260	285	285	310	340	340	375	415	415

注：以上尺寸仅适用于普通直联电机，变频直联电机，制动直联电机，变频制动直联电机。

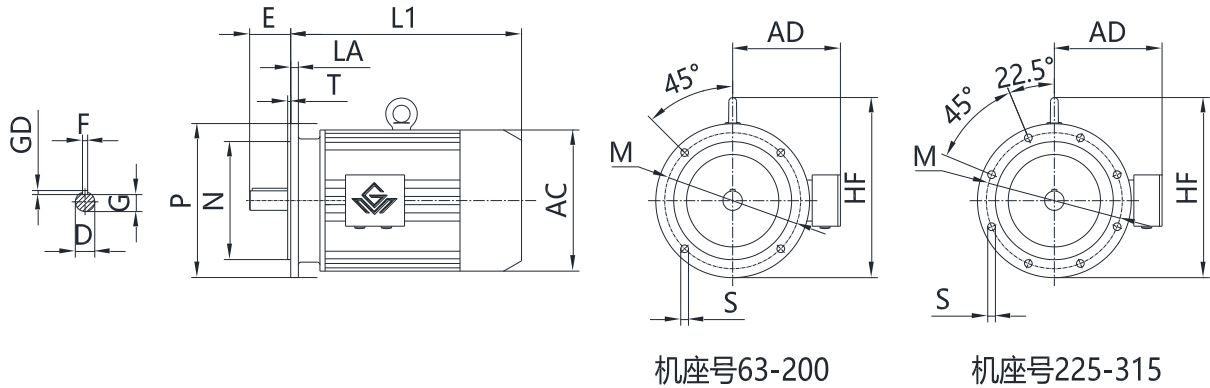
Note: The above size just apply to common directly motor, variable frequency directly motor, brake directly motor, variable frequency brake directly motor.

注：所有直联型电机的重量参考标准普通电机重量。

Note: The weight of all direct connection motors refer to the weight of standard ordinary motors.

附录 A-4

Appendix A-4



标准普通电机外形及安装尺寸

Dimensions of Standary Ordinary Motors

机座号 Frame size	安装尺寸及外形尺寸 Mounting Dimensions																			
	D		E		F×GD		G		M	N	P	S	T	AC	AD	LA	HF	L1		
	2P	4-10P	2P	4-10P	2P	4-10P	2P	4-10P										2P	4-10P	
63M	11		23		4×4		8.5		115	95	140	10	3	130	70	10	130	207		
71M	14		30		5×5		11		130	110	160			3.5	145	80	10	145	225	
80M	19		40		6×6		15.5		165	130	200				12	175	145	12	185	255
90S	24		50		8×7		20					215	180	250		15	4	195	155	12
90L									12	12	295									
100L	28		60		10×8		33		265	230	300	15	4	215	180	14	245	325		
112M														240	190	14	265	340		
132S	38		80		16×10		49		350	300	400	19	5	275	210	14	315	390		
132M														14	14	430				
160M	42		110		12×8		37		300	250	350	19	5	330	255	16	385	505		
160L														16	16	560				
180M	48		140		14×9		42.5		380	280	380	19	5	380	280	18	430	590		
180L														18	18	630				
200L	55				16×10		18×11		400	350	450	19	5	420	305	18	480	660		
225S		60		140										53	400	350	450	470	335	20
225M	55	60	110	140	49	53								20	20			710	705	
250M	60	65			18×11		53		500	450	550	19	5	510	370	22	595	770		
280S	65	75	140	170										18×11	20×12	58	67.5	580	410	22
280M					22	22	895													
315S	65	80	140	170	18×11	22×14	58	71	600	550	660	24	6	645	530	25	845	1020	1100	
315M																25	25	1050		1130
315L1	65	80	140	170	18×11	22×14	58	71	600	550	660	24	6	645	530	25	845	1020	1100	
315L2																25	25	1050		1130

附录 B

Appendix B

YEJ 系列电机外形及安装尺寸

Dimensions of YEJ Series Motors

机座号 Frame size	80	90S	90L	100L	112M	132S	132M	160M	160L	180M	180L	200L	225S	225M
L1	350	370	395	420	450	505	545	610	655	715	765	790	860	890

注：图形参照附录 A，其余尺寸同标准普通电机。

Note: See appendix A for dimensional drawings. Other dimensions are same as standary ordinary motors.

附录 C

Appendix C

G 系列减速电机最大输出转矩表

Max. Output Torque Table, G Series Geared Motors

GRX 系列 GRX Series

机型号 Type size	GRX..59	GRX..69	GRX..79	GRX..89	GRX..99	GRX..109	GRX..139							
最大输出转矩 Max.output torque(Nm)	70	135	215	400	600	830	1500							

GR 系列 GR Series

机型号 Type size	GR..19	GR..29	GR..39	GR..49	GR..59	GR..69	GR..79	GR..89	GR..99	GR..109	GR..139	GR..149	GR..169	GR..179
最大输出转矩 Max.output torque(Nm)	85	130	200	300	450	600	820	1550	3000	4300	8000	13000	18000	36600

GS 系列 GS Series

机型号 Type size	GS..39	GS..49	GS..59	GS..69	GS..79	GS..89	GS..99	GS..109						
最大输出转矩 Max.output torque(Nm)	87	170	300	520	1220	2300	4000	6500						

GK 系列 GK Series

机型号 Type size	GK..39	GK..49	GK..59	GK..69	GK..79	GK..89	GK..99	GK..109	GK..129	GK..159	GK..169	GK..189		
最大输出转矩 Max.output torque(Nm)	200	400	600	820	1550	2700	4300	8000	13000	18000	32000	50000		

GF 系列 GF Series

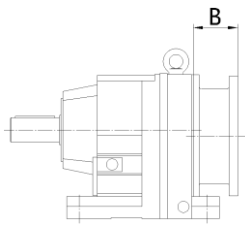
机型号 Type size	GF..39	GF..49	GF..59	GF..69	GF..79	GF..89	GF..99	GF..109	GF..129	GF..159				
最大输出转矩 Max.output torque(Nm)	200	400	600	820	1550	2700	4300	8000	13000	18000				

注：表中所列减速电机最大负载转矩。实际上，同一规格的减速电机在不同传动比时，其最大承载转矩有可能不同。必要时，此值可按“选型参数表”中的输出转矩 M_a 乘以使用系数 f_b 求得。瞬间过载能力可达最大转矩的 1.8 倍。

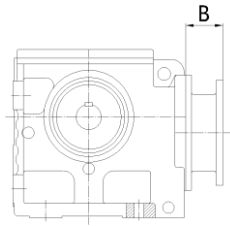
Note: List date is gearmotor's max. output torque. In fact the torque see selection table, the value equal the rate torque and service factor product. On request, please contact us.

附录 D

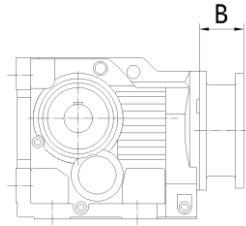
Appendix D



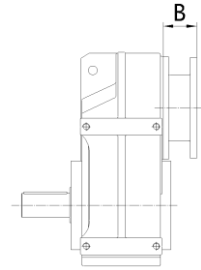
GR 系列 GR Series



GS 系列 GS Series



GK 系列 GK Series



GF 系列 GF Series

联接法兰尺寸 B (联接 IEC 标准电机)

The dimension B of the flange for IEC series motors

GR 系列 GR Series

机型号 Type size	Frame size 机座号	63	71	80	90	100	112	132	160	180	200	225	250	280	315
GR...19/29/39		50	70.5	99.5	99.5	119									
GR...49/59/69/GRX...59/69		44.5	65	94	94	111	111	150							
GR...79/GRX...79		36.5	59	88	88	103	103	138	179						
GR...89/GRX...89				83	83	99	99	133	174	174					
GR...99/GRX...99				73.5	73.5	93	93	128	169	169	165.5				
GR...109/GRX...109						87	87	122	163	163	159.5	193			
GR...139/GRX...139								115	156	156	152.5	186	185		
GR...149									148	148	144.5	178	177	189	
GR...169/179									140/132	140/132	136.5/128.5	170/162	166/158	178/170	253/245

GS 系列 GS Series

机型号 Type size	Frame size 机座号	63	71	80	90	100	112	132	160	180	200				
GS...39/49/59		50	70.5	99.5	99.5	119									
GS...69		44.5	65	94	94	111	111	150							
GS...79		36.5	59	88	88	103	103	138	179						
GS...89				83	83	99	99	133	174	174					
GS...99				73.5	73.5	93	93	128	169	169					
GS...109						87	87	122	163	163	159.5				

GK 系列 GK Series

机型号 Type size	Frame size 机座号	63	71	80	90	100	112	132	160	180	200	225	250	280	315
GK...39		50	70.5	99.5	99.5	119									
GK...49/59/69		44.5	65	94	94	111	111	150							
GK...79		36.5	59	88	88	103	103	138	179						
GK...89				83	83	99	99	133	174	174					
GK...99					73.5	93	93	128	169	169	165.5				
GK...109						87	87	122	163	163	159.5	193			
GK...129								107	148	148	144.5	178	177	189	
GK...159/169									140	140	136.5	170	166	178	253
GK...189									132	132	128.5	162	158	170	245

GF 系列 GF Series

机型号 Type size	Frame size 机座号	63	71	80	90	100	112	132	160	180	200	225	250	280	315
GF...39/49		50	70.5	99.5	99.5	119									
GF...59/69		44.5	65	94	94	111	111	150							
GF...79		36.5	59	88	88	103	103	138	179						
GF...89				83	83	99	99	133	174	174					
GF...99					73.5	93	93	128	169	169	165.5				
GF...109						87	87	122	163	163	159.5	193			
GF...129								107	148	148	144.5	178	177	189	
GF...159									140	140	136.5	170	166	178	253

所配联接法兰的最大重量(kg) Maximum weight of coupling flange(kg)

机座号 Frame size	63	71	80	90	100	112	132	160	180	200	225	250	280	315
重量(kg) weight(kg)	4.1	5.1	12	12	20.2	20.2	36.7	68.3	68.3	64.5	79.5	105.3	118.8	196.4